



VICTORIA
GOVERNMENT GAZETTE.

Published by Authority.

[Registered at the General Post Office, Melbourne, for transmission by post as a newspaper.]

No. 170]

WEDNESDAY, DECEMBER 19.

[1945

ACTS OF PARLIAMENT.

PROCLAMATION

By His Excellency the Governor of the State of Victoria and its Dependencies in the Commonwealth of Australia, &c., &c., &c.

I, THE Governor of the State of Victoria, in the Commonwealth of Australia, do hereby declare that I have this day assented, in His Majesty's name, to the Bills passed by the Parliament of the said State, the titles whereof are hereunder set forth, that is to say:—

- No. 5085. "An Act to amend Section Two hundred and twelve of the *Factories and Shops Act 1928*."
- No. 5086. "An Act to continue the Operation of Part III. of the *Finance Act 1930*."
- No. 5087. "An Act to declare the rate of Land Tax for the year ending the thirty-first day of December One thousand nine hundred and forty-six."
- No. 5088. "An Act to continue the Operation of certain Provisions of the Stamps Acts relating to the Imposition of Increased Stamp Duties on certain Instruments."
- No. 5089. "An Act relating to the Transfer to the Consolidated Revenue of Surpluses in the Licensing Fund."

Given under my Hand and the Seal of the State of Victoria aforesaid, at Melbourne, this thirteenth day of December, in the year of our Lord One thousand nine hundred and forty-five, and in the tenth year of the reign of His Majesty King George VI.

(L.S.)

WINSTON DUGAN.

By His Excellency's Command,

JOHN CAIN.

GOD SAVE THE KING!

No. 170.—11991/45.—PRICE 6d.; Quarterly, 8s. 2d.; Half-Yearly, 16s. 3d.; Yearly, 32s. 6d.

WOOLSHED GOLDFIELD COMMON ABOLISHED.

PROCLAMATION

By His Excellency the Governor of the State of Victoria and its Dependencies in the Commonwealth of Australia, &c., &c., &c.

WHEREAS by Division 10 of Part I. of the *Land Act 1928* it is amongst other things enacted that the Governor in Council may from time to time increase, and, after one month's notice in the *Government Gazette*, diminish, alter, or abolish any common, and may from time to time re-proclaim the whole or any part of any such common for any of the purposes and subject to the provisions of the said Part of the said Act, and that nothing therein contained shall prevent the exercise of the powers conferred by the said Part of the said Act with respect to the leasing or licensing of any land comprised in any common: Now therefore I, the Governor of the State of Victoria, in the Commonwealth of Australia, by and with the advice of the Executive Council of the said State, do hereby abolish

THE WOOLSHED GOLDFIELD COMMON.

Given under my Hand and the Seal of the State of Victoria aforesaid, at Melbourne, this eleventh day of December, in the year of our Lord One thousand nine hundred and forty-five, and in the tenth year of the reign of His Majesty King George VI.

(L.S.)

WINSTON DUGAN.

By His Excellency's Command.

L. W. GALVIN,
Commissioner of Crown Lands and Survey.

GOD SAVE THE KING!

Country Fire Authority Act 1944.
SUMMER PERIOD IN RESPECT OF SPECIFIED PARTS
OF THE COUNTRY AREA OF VICTORIA.

PROCLAMATION

By His Excellency the Governor of the State of Victoria and its Dependencies in the Commonwealth of Australia, &c., &c., &c.

WHEREAS by sub-section two of section four of the *Country Fire Authority Act 1944* it is enacted that the Governor in Council, after consultation by the Chief Secretary of Victoria with the Minister of Forests, may from time to time by proclamation published in the *Government Gazette* proclaim any period as the summer period in respect of the country area of Victoria or any specified part or parts thereof and, without affecting the generality of the foregoing, may proclaim different summer periods in respect of different parts of the said country area;

And whereas the said Chief Secretary and the said Minister have consulted accordingly:

Now therefore I, the Governor of the State of Victoria in the Commonwealth of Australia, by and with the advice of the Executive Council of the said State and in pursuance of the powers conferred by the *Country Fire Authority Act 1944*, do by this my Proclamation proclaim the period commencing on the twenty-second day of December, 1945, and ending on the fifteenth day of March next following to be the summer period in respect of the parts hereinafter specified of the country area of Victoria, that is to say:—

The First Fire Control Region comprising the municipal districts of the City of Ballarat, the Borough of Sebastopol, and those portions of the municipal districts of the Shires of Ballarat and Buninyong within the aforesaid Fire Control Region;

The Third Fire Control Region comprising the municipal districts of the Cities of Geelong and Geelong West and the Town of Newtown and Chilwell, and those portions of the municipal districts of the Shires of Corio and South Barwon within the aforesaid Fire Control Region;

The Fourth Fire Control Region comprising the municipal districts of the Borough of Portland and the Shires of Glenelg, Portland, and Wannon;

The Fifth Fire Control Region comprising the municipal districts of the City of Warrnambool, the Town of Hamilton, the Boroughs of Kororoit and Port Fairy, and the Shires of Belfast, Dundas, Minhamite, Mortlake, Mount Rouse, and Warrnambool;

The Sixth Fire Control Region comprising the municipal districts of the Borough of Colac and the Shires of Colac, Hampden, Heytesbury, and Otway;

Those portions of the Seventh Fire Control Region comprising the municipal districts of the Borough of Queenscliffe, the Shires of Bannockburn, Barrabool, Bellarine, Leigh, and Winchelsea, and those portions of the municipal districts of the Shires of Corio and South Barwon within the aforesaid Fire Control Region;

The Eighth Fire Control Region comprising the municipal districts of the Borough of Wonthaggi, and the Shires of Bass, Berwick, Cranbourne, Finders, Frankston and Hastings, Mornington, and Phillip Island; also French Island;

The Ninth Fire Control Region comprising the municipal districts of the Shires of Buln Buln, Korumburra, Mirboo, Narracan, Warragul, and Woorayl;

The Tenth Fire Control Region comprising the municipal districts of the Town of Sale, and the Shires of Alberton, Avon, Maffra, Morwell, Rosedale, South Gippsland, and Traralgon;

The Eleventh Fire Control Region comprising the municipal districts of the Shires of Bairnsdale, Omeo, Orbost, and Tambo;

The Twelfth Fire Control Region comprising the municipal districts of the Shires of Alexandra, Mansfield, and Yea;

The Thirteenth Fire Control Region comprising the municipal districts of the Shires of Ferntree Gully, Healesville, and Upper Yarra, and those portions of the municipal districts of the Shires of Eltham and Lilydale within the aforesaid Fire Control Region;

The Fourteenth Fire Control Region comprising the municipal districts of the City of Chelsea and the Shires of Bacehus Marsh, Broadford, Bulla, Dandenong, Gisborne, Kilmore, Melton, Newham and Woodend, and Romsey, and those portions of the municipal districts of the Cities of Moorabbin and Heidelberg, and of the Shires of Braybrook, Broadmeadows, Doncaster and Templestowe, Keilor, Mulgrave, Werribee, and Whittlesea, within the aforesaid Fire Control Region;

Those portions of the Fifteenth Fire Control Region comprising the municipal districts of the Shires of Ballan, Bungaree, Grenville, and those parts of the municipal districts of the Shires of Ballarat and Buninyong not included in the First Fire Control Region;

And those portions of the Twenty-fourth Fire Control Region comprising the municipal districts of the Shires of Bright, Towong and Upper Murray.

Given under my Hand and the Seal of the State of Victoria aforesaid, this eighteenth day of December, in the year of our Lord One thousand nine hundred and forty-five, and in the tenth year of the reign of His Majesty King George VI.

(L.S.)

WINSTON DUGAN.

By His Excellency's Command,

W. SLATER,
Chief Secretary.

GOD SAVE THE KING!

The Fisheries Acts.

PROHIBITION OF ALL FISHING IN OR THE TAKING OF FISH FROM LAKES BULLEN, MERRI, AND PURRUMBETE FROM 1ST JUNE TO 31ST OCTOBER IN EACH YEAR.

PROCLAMATION

By His Excellency the Governor of the State of Victoria and its Dependencies in the Commonwealth of Australia, &c., &c., &c.

I, THE Governor of the State of Victoria, in the Commonwealth of Australia, by and with the advice of the Executive Council of the said State, and in pursuance of the provisions of the Fisheries Acts, and all other powers me enabling in that behalf, do by this Proclamation repeal the Proclamation made the twentieth day of June, 1939, and published in the *Government Gazette* of the twenty-first day of June, 1939, respecting fishing in Lakes Bullen, Merri, and Purrumbete, and prohibit all fishing in or the taking of fish from Lakes Bullen, Merri, and Purrumbete from the first day of June to the thirty-first day of October (both days inclusive) in each year.

Given under my Hand and the Seal of the State of Victoria aforesaid, at Melbourne, this eighteenth day of December, in the year of our Lord One thousand nine hundred and forty-five, and in the tenth year of the reign of His Majesty King George VI.

(L.S.)

WINSTON DUGAN.

By His Excellency's Command,

W. SLATER,
Chief Secretary.

GOD SAVE THE KING!

Vermin and Noxious Weeds Act 1928 (No. 3799).

SIMULTANEOUS DESTRUCTION OF VERMIN
ORDERED.

PROCLAMATION

By His Excellency the Governor of the State of Victoria and its Dependencies in the Commonwealth of Australia, &c., &c., &c.

WHEREAS by section 11 of the *Vermin and Noxious Weeds Act 1928 (No. 3799)* it is enacted that it shall be the duty of every occupier and of every owner of land from time to time to destroy all vermin on any land occupied or owned by him and on the adjacent half-width of all roads bounding or adjoining the same or any part thereof and to keep such land and half-width of roads clear and free of all vermin and for such purposes to do all necessary or proper acts or things: Provided that where on any road any formed part of the road or any bridge culvert cutting embankment channel drain or work or any stone gravel wood or material deposited on the road to be used in the construction or maintenance thereof is a harbor or cover for vermin it shall be the duty of the Council of the municipality in the municipal district of which such harbor or cover is situate to destroy all vermin therein and to keep the same clear and free of all vermin:

And whereas by section 12 of the said Act it is further enacted that the Governor in Council may from time to time, by Proclamation in the *Government Gazette*, specify a day on from and after which any duty specified in the next preceding section shall in the whole or in part of Victoria specified in the Proclamation be simultaneously commenced continued and performed by every occupier and every owner of any land within the whole or such part of Victoria (as the case may be):

Now therefore I, the Governor of the State of Victoria, in the Commonwealth of Australia, by and with the advice of the Executive Council of the said State, do hereby name the

thirteenth day of February. One thousand nine hundred and forty-six, as the day on from and after which the duty specified by the said section 11 shall be simultaneously commenced continued and performed by every occupier and every owner of land within the whole of Victoria.

Given under my Hand and the Seal of the State of Victoria aforesaid, at Melbourne, this eighteenth day of December, in the year of our Lord One thousand nine hundred and forty-five, and in the tenth year of the reign of His Majesty King George VI.

(L.S.) WINSTON DUGAN

By His Excellency's Command,

L. W. GALVIN,
Commissioner of Crown Lands and Survey.

GOD SAVE THE KING!

PUBLICATION OF THE "GOVERNMENT GAZETTE."

IT is hereby notified that, owing to the Proclamation of Christmas and New Year holidays, the *Government Gazette* will be published on—

FRIDAY, 28TH DECEMBER, 1945, and

FRIDAY, 4TH JANUARY, 1946,

instead of the ordinary days of publication.

J. J. GOURLEY,

Government Printer.

Melbourne, 28th November, 1945.

CHRISTMAS AND NEW YEAR HOLIDAYS

IT is hereby notified that, on—

MONDAY, THE 24TH DECEMBER, 1945,

TUESDAY, THE 25TH DECEMBER, 1945, and

WEDNESDAY, THE 26TH DECEMBER, 1945,

and on—

MONDAY, THE 31ST DECEMBER, 1945, and

TUESDAY, THE 1ST JANUARY, 1946,

the Public Offices will be closed, the 25th and 26th December, 1945, and the 1st January, 1946, being appointed by the *Public Service Act 1928* to be observed as holidays in the Public Offices, and the 24th and 31st December, 1945, having been proclaimed by the Governor in Council (see *Government Gazette* of the 17th October, 1945) under the powers conferred by the said Act to be observed as such.

W. SLATER,

Chief Secretary.

Chief Secretary's Office,

Melbourne, 28th November, 1945.

APPOINTMENTS.

HIS Excellency the Governor of the State of Victoria, by and with the advice of the Executive Council thereof, has, by Orders made on the 11th day of December, 1945, been pleased to make the under-mentioned appointments, viz.:—

DEPARTMENT OF AGRICULTURE.

Veterinary Stock Inspectors.

ROBERT DAVID IRVINE, and
EVAN MILNER BROUGH

to be Veterinary Stock Inspectors, Class "C," Professional Division, vacancies having occurred, and the Public Service Board having certified, on the 23rd November, 1945, that appointments are required, that there are no persons available and fit in the Public Service to be promoted or transferred to fill the vacant offices, and that the persons named are entitled, under the provisions of the Public Service Acts, to be appointed to fill such vacancies on probation for three months.

DEPARTMENT OF CHIEF SECRETARY.

Electoral Registrars (Acting).

CHARLES EDWARDS

to be Electoral Registrar (Acting) for the Bendigo, Eaglehawk, Golden Square, and Sandhurst East Subdivisions of the Electoral District of Bendigo; for the Heathcote Subdivision of the Electoral District of Goulburn; for the Charlton, Dunolly, Inglewood, Marong, Raywood, and Wedderburn

Subdivisions of the Electoral District of Korong; for the Lancefield Subdivision of the Electoral District of Mernda; for the Strathfieldsaye Subdivision of the Electoral District of Midlands; for the Cohuna, Echuca, Elmore, Mitiamo, Pyramid Hill, Rochester, and Rushworth Subdivisions of the Electoral District of Rodney; and for the Murchison Subdivision of the Electoral District of Shepparton, to take effect on and from 17th December, 1945, during the absence on leave of Gilbert Finlay Boyle;

ALAN CARLYLE VEREY

to be Electoral Registrar (Acting) for the Dimboola, Horsham, and Murtoa Subdivisions of the Electoral District of Borung; for the Casterton, Goroke, Hamilton, and Harrow Subdivisions of the Electoral District of Dundas; for the Branxholme, Koroit, Port Fairy, and Portland Subdivisions of the Electoral District of Portland; for the Jeparit, Kaniva, and Nhill Subdivisions of the Electoral District of Rainbow; and for the Horsham South and Stawell Subdivisions of the Electoral District of Ripon, to take effect on and from 30th November, 1945, during the absence on leave of Archibald James Milligan MacPherson; and

WILLIAM REGINALD BUCHANAN

to be Electoral Registrar (Acting) for the Blyth and Brunswick West Subdivisions of the Electoral District of Brunswick; for the Brunswick South and Edward Subdivisions of the Electoral District of Carlton; for the Coburg and Mitchell Subdivisions of the Electoral District of Coburg; and for the Coburg West Subdivision of the Electoral District of Essendon, to take effect on and from 20th November, 1945, during the absence on leave of William Bushby.

DEPARTMENT OF HEALTH.

Acting Clerk of Mental Hospital.

ERNEST HENRY GUPPY

to be Acting Clerk of Mental Hospital, Beechworth, as from and inclusive of 18th November, 1945, *vice* Francis Joseph Walsh, on leave.

Members of Committee of Management.

GEORGE NORMAN HOOD STEWART

to be a Member (Government representative) of Committee of Management of Wonthaggi and District Hospital; and

RICHARD PULLEN-CAMERON

to be a Member (Government representative) of Committee of Management of Wonthaggi and District Hospital.

DEPARTMENT OF LANDS AND SURVEY.

Bailiff of Crown Lands.

HERBERT ROBERT CARPENTER, Councillor of the City of Chelsea,

to be a Bailiff of Crown Lands, without salary, in the place of Ernest Robert Howard Charles, whose appointment is hereby revoked.

DEPARTMENT OF LAW.

Magistrates.

EDWIN ARTHUR GEORGE SMITH, Commonwealth Bank of Australia, Sydney-road, Brunswick, and

THOMAS WILLIAM HOPE, Carrum Downs,

to keep the Peace in the Central Bailiwick of the State of Victoria.

Registrar of Probates, &c. (Acting).

EDMUND ERNEST FRANK PULLEN

to act temporarily as Registrar of Probates and Administrations during the absence on annual leave of G. E. Wilson, to take effect from the date of commencement of duty.

Probation Officers.

HENRY ALFRED CAIRNS, Anzac-road, Moe, and
GEORGE JAMES ELSLIE JACKSON, 23 Beach-road, Beaumaris,

to be Probation Officers, pursuant to the provisions of section 8 of the *Children's Court Act 1928*, for the Children's Court at Moe and Cheltenham, respectively.

Sheriff's Bailiff.

RALPH JENNINGS, First Constable of Police, Kynton, to be also a Sheriff's Bailiff, in the place of T. S. Hartley, resigned, fees, to take effect from the date of commencement of duty.

DEPARTMENT OF PUBLIC INSTRUCTION.

Senior Technical Instructor.

OSWALD HERBERT BAYLISS

to be a Senior Technical Instructor, Classes "C" and "B," Professional Division, Footscray Technical School; a vacancy having occurred, and the Public Service Board having certified, on the 12th November, 1945, that an appointment is required, that there is no person available and fit in the Public Service to be promoted or transferred to fill the vacant office, and that the person named is a fit and proper person and duly qualified to be appointed to fill such vacancy on probation for three months.

STATE ELECTRICITY COMMISSION.

Commissioner.

ALBERT WILLIAM HENDERSON

to be a Commissioner of the State Electricity Commission of Victoria, to hold office for a period of seven years, commencing on the 16th day of December, 1945.

DEPARTMENT OF TREASURER.

Collector of Imposts (Acting).

WILLIAM JOHN MERRIE

to act as Collector of Imposts, Motor Registration Branch, during the absence of P. Hogan on leave; and

HORACE PERCY HARRISON

to act as Collector of Imposts, Geelong, for the purpose of collecting fees payable for tonnage, &c., during the absence of J. P. Brophy on leave.

STATE RIVERS AND WATER SUPPLY COMMISSION.

Chairman and Commissioners of the State Rivers and Water Supply Commission.

LEWIS RONALD EAST

to be Chairman of Commissioners of the State Rivers and Water Supply Commission for the period of five years commencing on the 1st day of February, 1946, and ending on the 31st day of January, 1951; and

HEYWOOD WARING MCCAY

to be a Commissioner and Deputy Chairman of Commissioners of the State Rivers and Water Supply Commission for the period of five years commencing on the 1st day of February, 1946, and ending on the 31st day of January, 1951; and

HAROLD HANSLOW

to be a Commissioner of the State Rivers and Water Supply Commission for the period of three years commencing on the 1st day of February, 1946, and ending on the 31st day of January, 1949.

Representative on the River Murray Commission.

LEWIS RONALD EAST

to be a Victorian representative on the River Murray Commission for a period of five years commencing on the 1st day of February, 1946, to hold such office in conjunction with his present office as Chairman of Commissioners of the State Rivers and Water Supply Commission.

Waterworks Trusts Commissioners.

HARRY WILLIAM TAMPLING

to be a Commissioner of the Macedon Waterworks Trust, and to hold such position during the present term of office of Douglas Walter Hatrick as a Councillor for the Macedon Riding of the Shire of Gisborne, subject to the provisions of the Water Acts; and

WILLIAM JOHN JACKSON

to be a Commissioner of the Macedon Waterworks Trust, and to hold such position during the present term of office of Ralph Nathaniel Ronalds as a Councillor for the Macedon Riding of the Shire of Gisborne, subject to the provisions of the Water Acts.

C. W. KINSMAN,

Clerk of the Executive Council.

At the Executive Council Chamber,
Melbourne, the 11th December, 1945.

APPOINTMENTS.

HIS Excellency the Governor of the State of Victoria, by and with the advice of the Executive Council thereof, has, by Orders made on the 18th day of December, 1945, been pleased to make the under-mentioned appointments, viz.:—

DEPARTMENT OF CHIEF SECRETARY.

Registrar of Births and Deaths.

ALAN EDWARD SCOTT,

pursuant to the provisions of section 4 of the *Registration of Births Deaths and Marriages Act 1928*, to be Registrar of Births and Deaths at Castlemaine, to date from commencement of duty, *vice* George D. McLean, deceased.

Police Selection Board—Member.

HENRY JOHN CAREY, Superintendent of Police, pursuant to the provisions of Chapter 22 of the Police Regulations, to be a member of the Selection Board, for a period of three years from the 10th December, 1945, no Superintendent having been nominated within the prescribed time for election by Inspectors and Sub-Inspectors of the Police Force as a member of the said Board.

Electoral Registrars (Acting).

JULES SAMUEL GASCARD

to be Electoral Registrar (Acting) for the Canterbury Subdivision of the Electoral District of Box Hill; for the Camberwell Subdivision of the Electoral District of Camberwell; for the Glen Iris Subdivision of the Electoral District of Glen Iris; for the Auburn Subdivision of the Electoral District of Hawthorn; for the Balwyn and Kew North Subdivisions of the Electoral District of Ivanhoe; and for the Deepdene and Kew Subdivisions of the Electoral District of Kew, to take effect on and from 3rd October, 1945, during the absence on leave of Leo Stanislaus Rice; and

LEONARD FOSTER MURRAYLEE

to be Electoral Registrar (Acting) for the Canterbury Subdivision of the Electoral District of Box Hill; for the Camberwell Subdivision of the Electoral District of Camberwell; for the Glen Iris Subdivision of the Electoral District of Glen Iris; for the Auburn Subdivision of the Electoral District of Hawthorn; for the Balwyn and Kew North Subdivisions of the Electoral District of Ivanhoe; and for the Deepdene and Kew Subdivisions of the Electoral District of Kew, to take effect on and from 10th December, 1945, during the absence on leave of Jules Samuel Gascard (Acting).

DEPARTMENT OF LANDS AND SURVEY.

Inspectors of Vermin and Noxious Weeds.

JOHN GLOVER, 20th August, 1945, and

WILLIAM SAMUEL YATES, 3rd September, 1945,

to act also as Inspectors under the *Vermin and Noxious Weeds Act 1928*, without additional salary, as from and inclusive of the dates indicated opposite their respective names.

DEPARTMENT OF LABOUR.

Apprenticeship Supervisor.

FRANK WILLIAM DOUGLASS HUMPHREYS

to be an Apprenticeship Supervisor, General Division, Apprenticeship Commission; a vacancy having occurred, and the Public Service Board having certified, on the 26th November, 1945, that an appointment is required, that there is no person available and fit in the Public Service to be promoted or transferred to fill the vacant office, and that the person named is entitled, under the provisions of the Public Service Acts, to be appointed to fill such vacancy on probation for six months.

DEPARTMENT OF LAW.

Magistrates.

GEORGE SILVERTON BAXTER, Colac, to keep the Peace in the Southern Bailiwick of the State of Victoria; and

JOSEPH FRANCIS FERGUSON ANDERSEN, 501 Pleasant-street, Ballarat,

to keep the Peace in the Southern Bailiwick of the State of Victoria (in lieu of Order of the 14th November, 1945, *Gazette* of the 21st idem, appointing Joseph Francis Ferguson Anderson).

Clerks of Petty Sessions, &c.

ROBERT LYNDON PAIGE

to be also Clerk of Petty Sessions and Clerk of the Children's Court at Koroiit and Port Fairy, in the place of D. H. Gude, relieved and transferred, to take effect from the date of commencement of duty;

DOUGLAS MCLEOD STANNISTREET

to be also Clerk of Petty Sessions at Brunswick, during the absence on annual leave of W. N. Thompson, to take effect from the date of commencement of duty;

BRYAN MAURICE HICKEY

to be also Clerk of Petty Sessions at Footscray and Williamstown, during the absence on sick leave of G. Maxwell, to take effect from the date of commencement of duty;

CHARLES EDGAR ELVISH
to be also Clerk of Petty Sessions and Clerk of the Children's Court at Stawell, Murtoa, and Rupanyup, and also an Assistant Registrar, pursuant to the provisions of sections 20 and 21 of the *County Court Act 1928*, for the County Court at Horsham, during the absence on annual leave of J. F. O'Hara, to take effect from the date of commencement of duty:

WILLIAM JOHN CUTHILL
to be also Clerk of Petty Sessions and Clerk of the Children's Court at Traralgon, Erica, Heyfield, Mirboo North, Moe, Morwell, and Rosedale, and also an Assistant Registrar, pursuant to the provisions of sections 20 and 21 of the *County Court Act 1928* for the County Court at Sale, in the place of A. L. Bock, relieved, to take effect from the date of commencement of duty: and

ARTHUR LESLIE BOCK
to be also Clerk of Petty Sessions and Clerk of the Children's Court at Charlton, Culgoon, Sea Lake, and Wycheproof, and also an Assistant Registrar, pursuant to the provisions of sections 20 and 21 of the *County Court Act 1928*, for the County Court at Bendigo, during the absence on annual leave of G. T. Webb, to take effect from the date of commencement of duty.

Probation Officers.

GEORGE WILLIAM McLAUGHLIN, Murphy-street, Wangaratta,
to be a Probation Officer, pursuant to the provisions of section 8 of the *Children's Court Act 1928*, for the Children's Court at Wangaratta, and

DOUGLAS CHARLES GIBBS, Church-street, Eaglehawk,
to be a Probation Officer, pursuant to the provisions of section 8 of the *Children's Court Act 1928*, for the Children's Court at Eaglehawk.

Commissioners for Taking Declarations, &c.

KATHLEEN JOSEPHIA FRELAND,
NICHOLAS DANIEL COSGRAVE,
EDWARD CHARLES JENKINS, and
MARY BETHIA JENKINS,
Sloane-street, Stawell, and
EDWARD MURRAY, 469 Chancery-lane, Melbourne,
to be Commissioners for taking Declarations and Affidavits, pursuant to the provisions of Division 8 of Part IV. of the *Evidence Act 1928*, to resign upon removing from the neighbourhood of the addresses stated: and

WILLIAM ALLEN, Secretary and Superintendent, Ovens Benevolent Home, Beechworth,
to be a Commissioner for taking Declarations and Affidavits, pursuant to the provisions of Division 8 of Part IV. of the *Evidence Act 1928*, to resign upon ceasing to occupy his present position.

DEPARTMENT OF PUBLIC INSTRUCTION.

Senior Trade Instructor.

TOM PIDD
to be a Senior Trade Instructor, Grade II., Classes "D" and "C," Professional Division, Warragul High School; a vacancy having occurred, and the Public Service Board having certified on the 27th November, 1945, that an appointment is required, that there is no person available and fit in the Public Service to be promoted or transferred to fill the vacant office, and that the person named is a fit and proper person and duly qualified to be appointed to fill such vacancy on probation for three months.

STATE RIVERS AND WATER SUPPLY COMMISSION.

Waterworks Trusts Commissioners.

REGINALD GEORGE RUDD
to be a Commissioner of the Foster Waterworks Trust, *vice* William Robert Jackson, resigned, to hold office as such from the date hereof until the 5th March, 1949, subject to the provisions of the Water Acts: and

THOMAS BROWN, J.P.,
to be a Commissioner of the Mirboo North Waterworks Trust, to hold office as such for a period of four years from the date hereof, subject to the provisions of the Water Acts.

DEPARTMENT OF TREASURY.

Government Printer.

JAMES JOSEPH GOULLEY
to be Government Printer, *vice* H. E. Daw, deceased.
Receiver of Revenue (Acting).

CHARLES EDGAR ELVISH
to act as Receiver of Revenue, Stawell, during the absence of J. F. O'Hara on leave.

C. W. KINSMAN,
Clerk of the Executive Council.

At the Executive Council Chamber,
Melbourne, the 18th December, 1945.

RESIGNATIONS.

HIS Excellency the Governor of the State of Victoria, by and with the advice of the Executive Council thereof, has, by Orders made on the 11th day of December, 1945, accepted the resignations of the persons named hereunder of the offices mentioned, *viz.*:—

DEPARTMENT OF AGRICULTURE.

JOHN WALTER EVANS, Veterinary Officer, Classes "C" and "B," Professional Division, as an Officer of the Public Service of Victoria, to date from and inclusive of the 15th December, 1945.

DEPARTMENT OF HEALTH.

(MENTAL HYGIENE BRANCH.)

CATHERINE MAUDE RYAN, Nurse, Grade I., General Division, Mental Hospital, Ballarat, as an Officer of the Public Service of Victoria, to date from and inclusive of the 20th November, 1945:

ELLEN AGNES BROOK, Nurse, Grade III., General Division, Mental Hospital, Kew, as an Officer of the Public Service of Victoria, to date from and inclusive of the 4th November, 1945: and

MARY AGNES HENNESSY, Nurse, Grade III., General Division, Mental Hospital, Ballarat, as an Officer of the Public Service of Victoria, to date from and inclusive of the 27th November, 1945.

DEPARTMENT OF LAW.

RAYMOND WALTER MARSH, late of Bruns-
wick, from the Commission of the Peace, for the Central Bailiwick of Victoria.

THOMAS STEPHEN HARTLEY, of Kyneton, as a Sheriff's Bailiff.

DEPARTMENT OF PUBLIC WORKS.

ERIC JAMES JOHNSON, Draughtsman (Electrical), Class "E," Professional Division, as an Officer of the Public Service of Victoria, as from the close of business on 7th January, 1946.

DEPARTMENT OF WATER SUPPLY.

EDWARD FRANK MICHAELSON, Assistant Research Officer, Class "C," Professional Division, as an Officer of the Public Service of Victoria, to date from and inclusive of the 1st December, 1945.

C. W. KINSMAN,

Clerk of the Executive Council.

At the Executive Council Chamber,
Melbourne, the 11th December, 1945.

RESIGNATIONS.

HIS Excellency the Governor of the State of Victoria, by and with the advice of the Executive Council thereof, has, by Orders made on the 18th day of December, 1945, accepted the resignations of the persons named hereunder of the offices mentioned, *viz.*:—

DEPARTMENT OF FORESTS.

DOUGLAS BROWN, Forest Overseer, General Division, as an officer of the Public Service of Victoria, as from and inclusive of the 13th day of December, 1945.

ALMA LILLIAN THOMAS, Machinist (Female), Grade III., as an officer of the Public Service of Victoria, as from and inclusive of the 2nd day of December, 1945.

DEPARTMENT OF LANDS AND SURVEY.

FRANCES RUBY WOODS, Machinist, Grade III., General Division, as an officer of the Public Service of Victoria, as from and inclusive of the 2nd January, 1946.

DEPARTMENT OF LAW.

DANIEL HERBERT HOGAN, Bendigo, **PATRICK NORBERT COLEMAN**, St. Kilda, and **WILLIAM JOHN YOUNGSON**, Wangaratta, as Probation Officers, pursuant to the provisions of the *Children's Court Act 1928*, for the Children's Court indicated opposite their respective names.

NORINA MARY TYRBELL, Typist (Female), Grade II., as an officer of the Public Service of Victoria, as from and inclusive of the 8th December, 1945.

C. W. KINSMAN,

Clerk of the Executive Council.

At the Executive Council Chamber,
Melbourne, the 18th December, 1945.

EXEMPTIONS.

HIS Excellency the Governor of the State of Victoria, by and with the advice of the Executive Council thereof, and upon the recommendation of the Public Service Board, has, by Orders made on the 11th day of December, 1945, exempted the officers specified hereunder from the provisions of sections 90 and 91 of the *Public Service Act 1928* (No. 3757):—

DEPARTMENT OF LAW.

Officers of the Clerical and General Divisions, Office of Titles, who are required to work overtime—such exemption to be operative for a further period of six (6) months from and inclusive of the 1st October, 1945.

DEPARTMENT OF PREMIER.

One (1) Officer of the Office of the Public Service Board, when required to work overtime—such exemption to be operative for the period from the 1st October, 1945, to the 31st December, 1945, both dates inclusive.

C. W. KINSMAN,
Clerk of the Executive Council.

At the Executive Council Chamber,
Melbourne, the 11th December, 1945.

Public Service Act 1928 (No. 3757), Sections 90 and 91.

EXEMPTION.

HIS Excellency the Governor of the State of Victoria, by and with the advice of the Executive Council thereof, and upon the recommendation of the Public Service Board, has, by an Order made on the 18th day of December, 1945, exempted the officers specified hereunder from the provisions of sections 90 and 91 of the *Public Service Act 1928* (No. 3757):—

DEPARTMENT OF AGRICULTURE.

Three (3) officers of the Analytical Branch who are required to work overtime in connexion with milk testing work—such exemption to be operative for the period from the 19th November, 1945, to the 18th January, 1946, both dates inclusive.

C. W. KINSMAN,
Clerk of the Executive Council.

At the Executive Council Chamber,
Melbourne, the 18th December, 1945.

PUBLIC SERVICE OF VICTORIA.—VACANCIES.
GENERAL DIVISION.

APPLICATIONS will be received by the Public Service Board up to Friday, the 11th January, 1946, from officers of the Public Service of Victoria, who are eligible and qualified, for appointment to the under-mentioned positions:—

Assistant (Female), Grade IV., Office of the Chief Commissioner of Police, Department of Chief Secretary.

Yearly Salary.—£221, minimum; £234, maximum.

Duties.—To assess and check fees, including insurance premiums, to type certificates for new motor car registrations, and to assist generally in the Mail Room.

Qualifications.—To be a competent typist and to possess a knowledge of the Motor Car Act and Regulations, and of the fees and premiums payable thereunder.

Shorthand Writer and Typist (Female), Grade II., Department of Public Works.

Yearly Salary.—£221, minimum; £234, maximum.

Duties.—To undertake shorthand writing and typing duties and to assist generally.

Qualifications.—To be a competent typist and to possess efficiency as a shorthand writer at the rate of 100 words a minute.

NOTE.—In addition to the salary rates quoted, a cost of living allowance at the rate of £20 a year is payable. The rates are subject to variation in accordance with the rise or fall in the index numbers of the cost of living.

By order,
E. F. FITZGIBBON,
Acting Secretary.

Office of the Public Service Board,
Melbourne, 18th December, 1945.

LABOURER, GENERAL DIVISION, PUBLIC LIBRARY
BRANCH, DEPARTMENT OF CHIEF SECRETARY (two
VACANCIES).

APPLICATIONS will be received by the Public Service Board from persons, who are qualified, for appointment to the above-mentioned positions.

Yearly Salary.—£234, minimum; £241, maximum, plus £30 cost of living adjustment. The rates are subject to variation in accordance with the rise or fall in the index numbers of the cost of living.

Duties.—To perform the usual duties of a labourer as applied to an extensive building, including cleaning and minor repairs.

Qualifications.—To be of strong physique, active, accustomed to high ladder work, and capable of undertaking minor repairs.

Applications (which should be accompanied by evidence of experience and qualifications, and a statement of date and place of birth) should be lodged at this office not later than Friday, the 11th January, 1946.

By order,
E. F. FITZGIBBON,
Acting Secretary.

Office of the Public Service Board,
Melbourne, 18th December, 1945.

CHIEF VISUAL EDUCATION OFFICER (MALE), CLASSES
"D" AND "C," PROFESSIONAL DIVISION, DEPART-
MENT OF PUBLIC INSTRUCTION.

APPLICATIONS will be received by the Public Service Board up to Friday, the 11th January, 1946, from officers of the Public Service of Victoria, who are eligible and qualified, for appointment to the above-mentioned position.

Yearly Salary.—£436, minimum; £540, maximum, plus £30 cost of living allowance. The rates are subject to variation in accordance with the rise or fall in the index numbers of the cost of living.

Duties.—To supervise the preparation of visual aids, including charts and film strips; to organize and conduct vacation schools for teachers; to operate 16 mm. sound motion picture film circuits in selected schools, and to act as advisory officer for teachers desiring guidance in the use of audio-visual aids such as wireless, school sound systems, radio film-strip talks, and sound motion picture projectors.

Qualifications.—To possess the Department's certificate of competency in Visual Education, a knowledge of sound systems, amplifiers, wireless equipment, motion picture projection, service, and operation, and a thorough knowledge of the requirements of curricula, and to have had experience in the preparation and production of visual education aids, including charts and film strips, organizing vocational schools and classes in visual education, staff administration, and in the criticism and training of students.

By order,
E. F. FITZGIBBON,
Acting Secretary.

Office of the Public Service Board,
Melbourne, 18th December, 1945.

DRAUGHTSMAN (FURNITURE AND FITTINGS), CLASS
"D," PROFESSIONAL DIVISION, DEPARTMENT OF
PUBLIC WORKS.

APPLICATIONS will be received by the Public Service Board from persons, who are eligible and qualified, for appointment to the above-mentioned position.

Yearly Salary.—£351, minimum; £436, maximum, plus £30 cost of living adjustment. The rates are subject to variation in accordance with the rise or fall in the index numbers of the cost of living.

Duties.—To prepare designs, details, estimates, and specifications of modern furniture and fittings.

Qualifications.—To be an original designer and competent draughtsman, sound in construction and detail, and conversant with manufacturing methods; to be able to specify and prepare estimates of all types of furniture and fittings, and to be capable of supervising works. To have had experience of carpets, fabrics, and general furnishings.

Applications (which should be accompanied by evidence of experience and qualifications, and a statement of date and place of birth) should be lodged at this office not later than Friday, the 4th January, 1946.

By order,
E. F. FITZGIBBON,
Acting Secretary.

Office of the Public Service Board,
Melbourne, 18th December, 1945.

PUBLIC SERVICE OF VICTORIA.—VACANCIES.

APPLICATIONS will be received by the Public Service Board up to Friday, the 4th January, 1946, from officers of the Public Service of Victoria, who are eligible and qualified, for appointment to the under-mentioned positions:—

PROFESSIONAL DIVISION.

Executive Engineer, Class "B," Department of Water Supply.

Yearly Salary.—£592, minimum; £722, maximum.

Duties.—To supervise the maintenance of dams and weirs and other major works controlled by the Murray and Major Works Division of the State Rivers and Water Supply Commission.

Qualifications.—To have a University Degree or other recognized qualification in Civil Engineering; to be familiar with the details of construction of the dams and weirs, their outlet valves, spillway gates, and operating machinery, controlled by the Division; to have had experience in the construction of works of this nature, and a good knowledge of modern construction plant.

Draughtsman, Class "D," Department of Water Supply.

Yearly Salary.—£351, minimum; £436, maximum.

Duties.—To prepare maps, graphs, and illustrations for publication in water supply reports and press articles.

Qualifications.—To have had a Technical School or equivalent training in drawing and draughtsmanship and experience in the class of work outlined above.

CLERICAL DIVISION.

Third Class Clerk, Department of Agriculture (two vacancies).

Position No. 1.

Duties.—To collect contributions payable under the Milk Board Acts; to keep appropriation and Advance Account Ledgers and to act as salary clerk.

Qualifications.—To have a thorough knowledge of the Milk Board Acts and Regulations thereunder and of the Regulations respecting Public Accounts and to be experienced in mechanized accounting.

Position No. 2.

Duties.—To act as Secretary of the Dairy Produce Board; to be responsible for the clerical work of the Dairy Produce Branch, and to record and prepare statistical data.

Qualifications.—To possess a thorough knowledge of the Milk and Dairy Supervision Acts insofar as they relate to the manufacture of dairy produce, a good knowledge of dairy factory procedure and administration, ability to undertake secretarial duties and to control and direct staff.

Fourth Class Clerk, Department of Mines.

Duties.—To deal with applications for financial assistance to mining companies, and to arrange for the preparation of securities for advances and for the sale of mining plant taken over by the Department under these securities; to act as correspondence clerk, and to perform special duties as required.

Qualifications.—To have a general knowledge of mining operations, the Mines Act and Regulations thereunder, and to be experienced in the analysing of accounts.

NOTE.—In addition to the salary rates quoted, a cost of living allowance at the rate of £30 a year is payable. The rates are subject to variation in accordance with the rise or fall in the index numbers of the cost of living.

By order,

E. F. FITZGIBBON,
Acting Secretary.

Office of the Public Service Board,
Melbourne, 18th December, 1945.

Act No. 3757, Section 66 (I).
REGULATIONS.—PROFESSIONAL DIVISION.

CHAPTER II.

THE Public Service Board, in pursuance of the powers vested in it, hereby amends Chapter II. of the Public Service Regulations as shown below, and submits the same for the approval of the Governor in Council:—

Department and Office.	Yearly Rate of Salary.	
	Minimum.	Maximum.
DEPARTMENT OF PUBLIC INSTRUCTION. CLASS "B."	£	£
<i>Add—</i> Senior Engineering Instructor, Technical School	600	650
<i>To take effect as from and inclusive of the 1st January, 1946.</i>		
DEPARTMENT OF CHIEF SECRETARY. CLASS "B."		
<i>Add—</i> Deputy Inspector-General of Penal Establishments	528	650
<i>To take effect as from and inclusive of the 19th November, 1945.</i>		
DEPARTMENT OF AGRICULTURE. CLASS "B."		
<i>Repeal—</i> Assistant Research Chemist	528	650
CLASSES "B" AND "A."		
<i>Add—</i> Assistant Research Chemist	552	700
<i>To take effect as from and inclusive of the 26th November, 1945.</i>		
DEPARTMENT OF AGRICULTURE. CLASS "B."		
<i>Repeal—</i> Biologist	528	650
CLASSES "B" AND "A."		
<i>Add—</i> Biologist	552	700
<i>To take effect as from and inclusive of the 13th November, 1945.</i>		
DEPARTMENT OF WATER SUPPLY. CLASS "C."		
<i>For—</i> Valuer	384	444
<i>Repeal—</i> Valuer	384	516
<i>To take effect as from and inclusive of the 26th November, 1945.</i>		
DEPARTMENT OF WATER SUPPLY. CLASS "D."		
<i>Repeal—</i> Assistant Gauging Officer	264	372
CLASS "C."		
<i>Add—</i> Gauging Officer	384	420
<i>To take effect as from and inclusive of the 26th November, 1945.</i>		

D. D. PAINE, Chairman.

E. F. FITZGIBBON, Acting Secretary.

Office of the Public Service Board,
Melbourne, 14th, 19th, and 26th November, 1945.

Approved by the Governor in Council,
11th December, 1945.

C. W. KINSMAN,
Clerk of the Executive Council.

Act No. 3757, Section 66 (VIII).

REGULATIONS.—CLASSIFICATION OF GENERAL DIVISION.

CHAPTER VII.

THE Public Service Board, in pursuance of the powers vested in it, hereby amends Chapter VII. of the Public Service Regulations as shown below, and submits the same for the approval of the Governor in Council:—

Department and Office.	Yearly Rate of Salary.		Increments.		
	Minimum.	Maximum.	After 1st Year.	After 2nd Year.	After 3rd Year.
DEPARTMENT OF HEALTH.	£	£	£	£	£
MENTAL HYGIENE.					
<i>Artisans and Servants—Male.</i>					
<i>For—</i>					
Laundry Foreman		312			
<i>Read—</i>					
Laundry Foreman	338	351	351		

To take effect as from and inclusive of the 12th November, 1945.

D. D. PAINE, Chairman.
E. F. FITZGIBBON, Acting Secretary.

Office of the Public Service Board,
Melbourne, 15th November, 1945.

Approved by the Governor in Council,
18th December, 1945.

C. W. KINSMAN,
Clerk of the Executive Council.

Act No. 3757, Section 66 (VIII).

REGULATIONS.—CLASSIFICATION OF GENERAL DIVISION.

CHAPTER VII.

THE Public Service Board, in pursuance of the powers vested in it, hereby amends Chapter VII. of the Public Service Regulations as shown below, and submits the same for the approval of the Governor in Council:—

Department and Office.	Yearly Rate of Salary.	
	Minimum.	Maximum.
DEPARTMENT OF CHIEF SECRETARY.		
<i>Penal and Gnols.</i>	£	£
<i>Repeal—</i>		
Hospital Attendant, Senior	325	382
Hospital Attendant, Geelong	291	356
Hospital Attendant	291	350*
Superintendent, Beechworth Reformatory	369	382
Superintendent, Castlemaine Reformatory	421	460
Superintendent, French Island Reformatory	421	460*
Warder, Senior Chief	395	408*
Warder, Chief	369	382*
Warder, Senior	343	350*
Warder	252	317†
Warder, Watchman, Pentridge	252	317†
<i>Add—</i>		
Hospital Attendant, Senior	403	416
Hospital Attendant	364	390*
Superintendent, Beechworth Reformatory	403	416
Superintendent, Castlemaine Reformatory	475	501
Superintendent, French Island Reformatory	475	501*
Warder, Senior Chief	429	442*
Warder, Chief	403	416*
Warder, Senior	364	390*
Warder	286	338†
Warder, Watchman, Pentridge	286	338†

To take effect as from and inclusive of the 1st December, 1945.

* With quarters when required to reside on premises.
† An allowance of £13 a year may be paid to officers who have completed thirteen years' service as Warder

D. D. PAINE, Chairman.
E. F. FITZGIBBON, Acting Secretary.

Office of the Public Service Board,
Melbourne, 26th November, 1945.

Approved by the Governor in Council,
11th December, 1945.

C. W. KINSMAN,
Clerk of the Executive Council.

Act No. 3757, Section 66 (I).

REGULATIONS.—PROFESSIONAL DIVISION.

CHAPTER II.

THE Public Service Board, in pursuance of the powers vested in it, hereby amends Chapter II. of the Public Service Regulations as shown below, and submits the same for the approval of the Governor in Council:—

Department and Office.	Yearly Rate of Salary.	
	Minimum.	Maximum.
DEPARTMENT OF CHIEF SECRETARY.	£	£
CLASS "C."		
<i>Repeal—</i>		
Governor, Pentridge		516*
CLASS "B."		
<i>Add—</i>		
Governor, Pentridge	576	600†

To take effect as from and inclusive of the 26th November, 1945.

* Less deduction of £30 10s. a year for quarters and light.
† Less deduction of £30 a year for quarters and light.

D. D. PAINE, Chairman.
E. F. FITZGIBBON, Acting Secretary.

Office of the Public Service Board,
Melbourne, 26th November, 1945.

Approved by the Governor in Council,
18th December, 1945.

C. W. KINSMAN,
Clerk of the Executive Council.

DEPARTMENT OF LAW.

TIME FOR HOLDING ANNUAL SITTINGS OF LICENSING COURTS EXTENDED.

HIS Excellency the Governor of the State of Victoria, by and with the advice of the Executive Council thereof, has, by Order made on the 18th day of December, 1945, extended the time for holding the Annual Sittings of the Licensing Courts for the Licensing Districts named below (appointed to be held on the dates indicated) for a period of not exceeding two (2) months from the 31st December, 1945:—

Licensing District.	Date of Sittings.
Northcote	21st November, 1945
Lowan	8th November, 1945
Warroheip and Grenville	13th November, 1945
Goulburn Valley	30th November, 1945
Prahran	21st November, 1945
Caulfield	21st November, 1945
Toorak	21st November, 1945
Rodney	16th November, 1945
Mornington	21st November, 1945

C. W. KINSMAN,
Clerk of the Executive Council.

At the Executive Council Chamber,
Melbourne, the 18th December, 1945.

Children's Court Act 1928.

CHILDREN'S COURT, HEIDELBERG.—DAY AND HOUR ALTERED.

HIS Excellency the Governor of the State of Victoria, by and with the advice of the Executive Council thereto, and pursuant to the provisions of the *Children's Court Act 1928*, has, by an Order made on the 18th day of December, 1945, directed that the day and hour for the holding of the Children's Court at Heidelberg be altered to alternate Tuesdays, at Ten o'clock a.m., to take effect as from and inclusive of the 8th January, 1946.

C. W. KINSMAN,
Clerk of the Executive Council.

At the Executive Council Chamber,
Melbourne, the 18th December, 1945.

DEPARTMENT OF LAW.—ATTORNEY-GENERAL.
CURATOR OF CONVICT'S PROPERTY.

PURSUANT to the provisions of section 576 of the *Crimes Act 1928*, His Excellency the Governor of the State of Victoria, by and with the advice of the Executive Council thereof, has, by Order made on the 18th day of December, 1945, directed that the custody and management of the property of the convict, Albert Jack Rudolph, be committed to Harry Frank Rudolph, of 10 Kendall-street, West Preston, motor mechanic, as a curator hereby appointed in that behalf by the said Order.

C. W. KINSMAN,
Clerk of the Executive Council.

At the Executive Council Chamber,
Melbourne, 18th December, 1945.

Auction Sales Act 1928.

TIME FOR MAKING PAYMENT OF FEES FOR AUCTIONEERS' LICENCES EXTENDED.

HIS Excellency the Governor of the State of Victoria, by and with the advice of the Executive Council thereof, and under the powers conferred by section 16 of the *Auction Sales Act 1928* (No. 3639), has, by an Order made on the 18th December, 1945, extended the time for making payment of fees for Auctioneers' Licences granted at the General Meeting of Justices, held on the fourth Tuesday in November, 1945, for the licensing of auctioneers, to six weeks from the dates of the certificates issued to the applicants by such justices.

C. W. KINSMAN,
Clerk of the Executive Council.

At the Executive Council Chamber,
Melbourne, the 18th December, 1945.

CONTRACTS ACCEPTED.—(Series 1944-45.)
PRINTING PAPERS, ETC.

Gazette No. 180, 22nd November, 1944, Schedule No. 1, Items 12, 13, 16, and 17.—Payment to contractor of extra charges, £23 2s. 11d., is approved.

Gazette No. 180, 22nd November, 1944, Schedule No. 1, Item 87.—Payment to contractor of extra charges, £18 1s., is approved.

W. H. RUTHERFORD, Secretary to the Tender Board.
12.12.45.

CONTRACTS ACCEPTED.—(Series 1945-46.)

VICTORIAN RAILWAYS.

68. Shoulder sleeper plates, Item 1, 4s. 9d. per pair; Item 2, 5s. 5d. per pair (Contract 55174).—The Broken Hill Pty. Co. Ltd. 69. Sawn red gum timber, at rates (Contract 55212).—A. T. Fitzpatrick and Sons. 70. Firewood, at 22s. 6d. per ton (Contract 55458).—W. L. Walsh. 71. Steel wire rope, at £2 8s. 3d. per cwt. (Contract 55454).—Australian Wire Rope Works Pty. Ltd.

By order of the Victorian Railways Commissioners,

E. C. EYERS, Secretary. 14.12.45.

PROVISIONS.—CEREALS.

Requirements under Sub-Schedule No. 5 of Schedule No. 1 for the month of January, 1946, are to be purchased under agreement from the under-mentioned firms at the rates per cwt. indicated, viz., Moran and Cato Pty. Ltd.—Granulated Wheat, 12s. 6d. net; Robert Harper and Co. Pty. Ltd.—Oatmeal, plain, 22s. 6d.; Barley Kernels, 24s.; Rice, dressed and unpolished, 24s.; Ryeona, 21s.; rates less 3 per cent. 14 days or 2½ per cent. 30 days; H. S. K. Ward Pty. Ltd.—Barley, pearl, 19s. 6d., rate less 3 per cent. 14 days or 2½ per cent. 30 days. Split peas are not available.

W. H. RUTHERFORD, Secretary to the Tender Board.
18.12.45.

ORDERS IN COUNCIL.—(Series 1945-46.)

STATE ELECTRICITY COMMISSION.

960. For the supply of spare blading for No. 3 turbine, Newport "B" Power Station, to Quotation No. 1973.—Gibson Battle (Melb.) Pty. Ltd.

961. For the supply of mild steel poppet head, to Quotation No. 1884.—Kelly and Lewis Ltd.

962. For the installation of machinery on 175-B shovel, Yallourn Open Cut, to Requisition No. 1241.—Robison Bros. and Co. (1935) Pty. Ltd.

963. For the supply of forged steel crank shaft for steam press, Yallourn briquette works, to Quotation No. 1438.—Commonwealth Steel Company Limited.

964. For the supply of six only second-hand Ford 3-ton army trucks.—Commonwealth Disposals Commission.

965. For the supply of seven only army utility trucks.—Commonwealth Disposals Commission.

Approved by the Governor in Council, 11th December, 1945.
—C. W. KINSMAN, Clerk of the Executive Council.

DEPARTMENT OF PUBLIC WORKS.

966. Docking and repairs to dredge *Pioneer*, £620 13s. 5d.—Duke's and Orr's Amalgamated Dry Docks Limited.

Approved by the Governor in Council, 18th December, 1945.
—C. W. KINSMAN, Clerk of the Executive Council.

Marriage Act 1928.

MINISTERS OF RELIGION REGISTERED TO CELEBRATE MARRIAGES IN VICTORIA.

IT is hereby notified that, in pursuance of the provisions of the *Marriage Act 1928*, 19 Geo. V. No. 3726, Sec. 11, the under-mentioned Officiating Ministers of Religion have been registered at this Office for the celebration of marriages in Victoria:—

Number in Register.	Name.	Designation.	Denomination.	Residence.	Date of Registration.
9470	English, John Joseph ..	Minister ..	Baptist ..	Warrnambool ..	2.11.45
9471	Hadfield, Bernard Edwin ..	Minister ..	Seventh Day Adventist ..	Shepparton ..	1.11.45
9472	McAllister, Alexander Johnstone Wilson ..	Minister ..	Presbyterian ..	Hurstbridge ..	9.11.45
9473	Steel, Robert ..	Minister ..	Baptist ..	Queen-street, Seaholme ..	9.11.45
9474	Methven, James Oliver ..	Minister ..	Churches of Christ ..	Castlemaine ..	8.11.45
9475	Paice, James Victor ..	Minister ..	Baptist ..	Colac ..	7.11.45
9476	Wundersitz, Albert Wilhelm ..	Pastor ..	Lutheran ..	Mildura ..	10.11.45
9477	Coward, Edward Charles ..	Adjutant ..	Salvation Army ..	Clifton-grove, Coburg ..	12.11.45
9478	MacPherson, Alexander Sutherland Murray ..	Priest ..	Church of England ..	Discharge Depot, Royal Park ..	1.1.44
9479	Worthy, Maurice Reginald ..	Pastor ..	Welsh Calvinistic Methodist ..	Humffray-street, Ballarat ..	17.11.45
9480	Kelly, Joseph Stanislaus ..	Priest ..	Catholic ..	"Manresa," Hawthorn ..	23.11.45
9481	Moloney, Patrick Joseph ..	Priest ..	Catholic ..	St. Patrick's, Melbourne ..	22.11.45
9482	Cahill, Francis ..	Priest ..	Catholic ..	The Monastery, Wendouree ..	24.11.45

Office of the Government Statist,
Melbourne, 10th December, 1945.

H. R. GROVE,
Assistant Government Statist.

THE STATE SAVINGS BANK OF VICTORIA.
CRÉDIT FONCIER.
MONTHLY STATEMENT of Crédit Foncier Debentures, Debenture Stock, Mortgage Bonds, Advances, and Money in Hand, published in accordance with the provisions of the State Savings Bank Acts.
CRÉDIT FONCIER DEBENTURES AND DEBENTURE STOCK.

	Debentures Made and Issued in course of Issue.		Crédit Foncier Debenture Stock Issued.	Amount Received from Sale of Stock and Debentures.	Provision for Discount on Debentures and Stock.	Redeemed.		Debentures Current.			Crédit Foncier Debenture Stock Current.		Stock Inscribed for Exchange of Debentures Redeemed.
	Number of Debentures.	Amount of Debentures.				Debentures.	Crédit Foncier Debenture Stock.	Held by the Public.	Held by State Savings Bank.	Total.	Owned by the Public.	Owned by State Savings Bank.	
Total from last return, 31st October, 1945 ..	52,146	£ 211,109,450	£ 20,397,155 0 0	£ 228,624,776 10 7	£ 307,538 2 5	£ 201,142,750 14,938,435	£ 466,700	£ 9,500,000	£ 9,966,700	£ 4,523,770	£ 932,950	£ 5,458,720 0 0	£ 2,540,400
For month ending 30th November, 1945	1,000 0 0	1,000 ..	-1,000	-1,000	1,000	..	1,000 0 0	1,000
Total at 30th November, 1945 ..	52,146	£ 211,109,450	£ 20,398,155 0 0	£ 228,624,776 10 7	£ 307,538 2 5	£ 201,143,750 14,938,435	£ 465,700	£ 9,500,000	£ 9,965,700	£ 4,526,770	£ 932,950	£ 5,459,720 0 0	£ 2,550,400

* Including Debentures for £121,550, which had been issued in exchange for Mortgage Bonds, and have since been redeemed and cancelled.

MORTGAGE BONDS.

	MORTGAGE BONDS MADE AND ISSUED FOR ..		ADVANCES.		Amount of Money in Hand.
	£	s. d.	Total Amount of Advances Made.	Balance, including Properties in Possession after Deducting Repayments.	
43,344 Mortgage Bonds made and issued for	£ 53,589,466 13 11	£ 12,734,169 14 10	£ 202,847 19 6
MORTGAGE BONDS REDEEMED—					
By Repurchase ..	£ 926,675	0 0			
" Repayment of Mortgage Principal ..	1,375	0 0			
" Ballot ..	34,000	0 0			
" Exchange for Debentures ..	121,550	0 0			
Current	£ 40,790,368 1 5	£ 83,092 17 8	
Amount received on sale of Mortgage Bonds	£ 18,164 0 0	£ -64,928 17 8	£ 164,229 7 7
Note.—No Mortgage Bonds have been issued since 16th January, 1901.			£ 53,607,630 13 11	£ 12,734,169 14 10	£ 164,229 7 7

JAS. C. GATES, }
 JNO. KEAN, }

Countersigned—
 N. R. WILLIAMS, General Manager of the State Savings Bank of Victoria.
 E. A. PEYERILL, Auditor-General for Victoria.
 Melbourne, 17th December, 1945.

The Fisheries Acts.

NOTICE OF INTENTION TO VARY THE PROCLAMATION RESPECTING THE TAKING OF FISH FROM THE KOO-WEE-RUP MAIN CANAL.

IT is hereby notified, for general information, that it is intended, after the expiration of one month from the date of publication of this notice in the *Government Gazette*, to move His Excellency the Governor in Council to make a Proclamation varying the Proclamation made the first day of March, 1943, and published in the *Government Gazette* of the third of March, 1943, respecting the prohibition of fishing in portion of the Koo-wee-rup main canal by substituting for the words "railway line" in such Proclamation the word "main road."

W. SLATER,
Chief Secretary.

F. LEWIS,
Chief Inspector of Fisheries and Game.

VARIATION OF AN ORDER TO EXEMPT A REGISTERED CLUB FROM CERTAIN OF THE PROVISIONS OF THE LICENSING ACT 1928.

IN THE LICENSING COURT FOR THE LICENSING DISTRICT OF PRAHRAN.

WHEREAS a registered club known as Prahran Club, whose premises are situate at 238-62 High-street, Prahran, was granted an Order by the said Licensing Court, exempting such club from the operation of sections 41, 182, 187, 188, 202, and 204: And whereas objection was taken by the Licensing Inspector for the said Licensing District to the renewal of such Order, this Court, after hearing the said Licensing Inspector and counsel for the said club and witnesses examined by them, doth now order that the Order hitherto in force be revoked.

Given under the seal of the said Court this seventh day of December, One thousand nine hundred and forty-five.

By the Court,
(SEAL) H. M. McALISTER,
Registrar of the said Court.

VARIATION OF AN ORDER TO EXEMPT A REGISTERED CLUB FROM CERTAIN OF THE PROVISIONS OF THE LICENSING ACT 1928.

IN THE LICENSING COURT FOR THE LICENSING DISTRICT OF MELBOURNE.

WHEREAS a registered club known as City and Overseas Club, whose premises are situate at 164 Flinders-street, Melbourne, was granted an Order by the said Licensing Court, exempting such club from the operation of sections 41, 182, 187, 188, 202, and 204: And whereas objection was taken by the Licensing Inspector for the said Licensing District to the renewal of such Order, this Court, after hearing the said Licensing Inspector and counsel for the said club and witnesses examined by them, doth now order that the Order hitherto in force be varied, and the said club be exempt from the provisions of sections 41, 182, 187, 188, and 204, and that this Order be and remain in force until revoked or altered by the Court.

Given under the seal of the said Court this seventh day of December, One thousand nine hundred and forty-five.

By the Court,
(SEAL) H. M. McALISTER,
Registrar of the said Court.

4 GEORGE VI. No. 4755, SECTION 6.

I HEREBY give notice that on the 5th December, 1945, I filed elections to administer the following deceased persons' estates, in accordance with section 6 of the *Public Trustee Act 1940*:—

ASHBY, SYDNEY, late of 1 Lygon-street, Carlton, pensioner, died 12th October, 1945, intestate.

BRETT, DOROTHEA, also known as Dora Brett, late of 10A Forest-street, Bendigo, home duties, died on or about 31st May, 1945, intestate.

*CARTHY, GEORGE THOMAS, formerly of Altona, but late of H.M.A.S. *Sydney*, sailor, died 20th November, 1941.

*CHEYNE, JOHN, formerly of 445 King-street, Melbourne, but late of 120 Sackville-street, Collingwood, pensioner, died 21st October, 1945.

CRUSELLE, PIERRE ADOLPH, also known as Adolph Crusell, late of Belgrave, pensioner, died 12th October, 1945, intestate.

*GRACE, MICHAEL JOHN, late of 16 Mason-street, Dandenong, retired railway employee, died 20th October, 1945.

KANE, LUCY FLORENCE, late of 450 Chapel-street, South Yarra, married woman, died 16th June, 1945, intestate.

*LANCASTER, AUBREY JOHN, formerly of Donald, but late of 360A Riversdale-road, Camberwell, retired shire secretary, died 17th June, 1945.

LEE, THEODORE ALEXANDER, late of Tatura, farm labourer, died 11th October, 1945, intestate.

LLOYD, FREDERICK, late of Cheltenham, retired messenger, died 26th September, 1945, intestate.

*MORSE, RICHARD THOMAS, formerly of Longwarry, but late of A.I.F., soldier, died 21st December, 1944.

*SMITH, ANNIE, late of 28 Fyffe-street, Thornbury, widow, died 28th September, 1945.

STEWART, DUDLEY NASH, late of 384 Punt-road, South Yarra, caterer, died 28th July, 1945, intestate.

TURNER, ANNIE, late of 9 Walker-street, Dandenong, pensioner, died 24th September, 1945, intestate.

* According to the provisions of the will.

J. E. DON,
Public Trustee.

412 Collins-street, Melbourne, C.1, 12th December, 1945.

NOTICE.

ADMINISTRATION of the estate of each of the under-mentioned deceased persons has been granted to me, and creditors, next of kin, and all others having claims against the estate of any of the persons so mentioned are required to send particulars of their claims to the Public Trustee, No. 412 Collins-street, Melbourne, on or before the 21st February, 1946, or they will be excluded from the distribution of the estate when the assets are being distributed:—

ALEX, CECIL WILLIAM, late of 19 Bletchley-road, Oakleigh, buyer, died 15th October, 1945, intestate.

*ARTHUR, DAVID WILLIAM BERRY, also known as David Arthur, formerly of Manly, New South Wales, but late of Gordon House, 24 Little Bourke-street, Melbourne, attendant, died 12th January, 1945.

ASHBY, SYDNEY, late of 1 Lygon-street, Carlton, pensioner, died 12th October, 1945, intestate.

*BATEY, FRANCIS VIVIAN, late of Brett-street, Murrumbidgee, poultry farmer, died 2nd August, 1945.

BENNETT, FLORENCE, formerly of 50 Huntingdon-grove, East Coburg, but late of Mount Park, married woman, died 8th September, 1945, intestate.

BRETT, DOROTHEA, also known as Dora Brett, late of 10A Forest-street, Bendigo, home duties, died on or about 31st May, 1945, intestate.

†CARTHY, GEORGE THOMAS, formerly of Altona, but late of H.M.A.S. *Sydney*, sailor, died 20th November, 1941.

*CAVANAGH, HORACE LESLIE, formerly of 436 New-street, Elsternwick, but late of A.I.F., soldier, died 5th July, 1945.

†CHEYNE, JOHN, formerly of 445 King-street, Melbourne, but late of 120 Sackville-street, Collingwood, pensioner, died 21st October, 1945.

CRUSELLE, PIERRE ADOLPH, also known as Adolph Crusell, late of Belgrave, pensioner, died 12th October, 1945, intestate.

*GILMOUR, NEVILLE GEORGE, formerly of 25 Rose-street, Fitzroy, but late of R.A.A.F., flight lieutenant, died 13th January, 1945.

†GRACE, MICHAEL JOHN, late of 16 Mason-street, Dandenong, retired railway employee, died 20th October, 1945.

*HAYES, JOHN WILLIAM, formerly of 46A Moonya-road, Carnegie, but late of A.I.F., soldier, died 11th May, 1945.

KANE, LUCY FLORENCE, late of 450 Chapel-street, South Yarra, married woman, died 16th June, 1945, intestate.

†LANCASTER, AUBREY JOHN, formerly of Donald, but late of 360A Riversdale-road, Camberwell, retired shire secretary, died 17th June, 1945.

LEE, THEODORE ALEXANDER, late of Tatura, farm labourer, died 11th October, 1945, intestate.

LLOYD, FREDERICK, late of Cheltenham, retired messenger, died 26th September, 1945, intestate.

†MORSE, RICHARD THOMAS, formerly of Longwarry, but late of A.I.F., soldier, died 21st December, 1944.

†SMITH, ANNIE, late of 28 Fyffe-street, Thornbury, widow, died 28th September, 1945.

*SMITH, WALTER HENRY, late of Christchurch, New Zealand, master mariner, died 25th April, 1945.

STEWART, DUDLEY NASH, late of 384 Punt-road, South Yarra, caterer, died 28th July, 1945, intestate.

TURNER, ANNIE, late of 9 Walker-street, Dandenong, pensioner, died 24th September, 1945, intestate.

*WILKINSON, ANNIE MARIE, late of 7 Landale-street, Box Hill, widow, died 15th September, 1945.

WILKINSON, RICHARD EDWIN, late of 7 Landale-street, Box Hill, retired orchardist, died 5th October, 1940, intestate.

* With the will annexed.

† According to the provisions of the will.

J. E. DON,
Public Trustee.

Melbourne, 12th December, 1945.

RIDDELL'S CREEK WATERWORKS TRUST.

RATING BY-LAW FOR YEAR 1946.

THE Riddell's Creek Waterworks Trust, in pursuance and exercise of the powers conferred by the Water Acts, doth hereby make a rate for the supply of water for domestic purposes of One shilling and ten pence in the pound of the annual municipal valuation of lands and tenements liable to be rated within the Riddell's Creek Urban District.

Provided that in no case shall the amount of rate payable per annum in respect of any tenement (other than land on which there is no building) be less than One pound, and in respect of land on which there is no building less than Thirteen shillings and four pence.

Such rates are made and shall be levied upon the occupiers or owners of the said lands and tenements for the year commencing the first day of January, 1946, and shall be payable on the first day of February, 1946, at the office of the said Trust.

(a) The maximum quantity of water to be supplied in any one year without further charge to any property rated by the Trust is hereby fixed at the quantity which, at a charge of One shilling per 1,000 gallons, would produce an amount equal to the amount of the rate levied on the property for the said year.

(b) The charge for water supplied by measure to any property rated by the Trust in excess of such maximum quantity, computed as in the last preceding clause, is hereby fixed at One shilling and six pence per 1,000 gallons.

The charge for water supplied by measure shall be payable, on demand, at the office of the Trust.

Passed this 5th day of December, 1945.

(SEAL) J. R. BOLITHO, Chairman.
UNA I. WRIGHT, Secretary.

COLERAINE AND CASTERTON WATERWORKS TRUST.

RATING BY-LAW (No. 47) FOR THE YEAR 1946:

THE Coleraine and Casterton Waterworks Trust, in pursuance and exercise of the powers conferred by the Water Acts, doth hereby make and levy a rate for the supply of water for domestic purposes of One shilling and ten pence in the pound on the annual municipal valuation of lands and tenements within the Coleraine Urban District.

Provided that in no case shall the amount of rate payable per annum in respect of any tenement (other than land on which there is no building) be less than One pound sixteen shillings and eight pence, and in respect of any land on which there is no building less than Ten shillings.

Such rate is made for the year commencing the first day of January, 1946, and shall be payable on the first day of January, 1946, at the office of the said Trust.

This By-law shall apply to the Urban District of Coleraine, as such district is proclaimed and defined in an Order in Council bearing the date of the 22nd June, 1927.

Passed this 5th day of December, 1945.

(SEAL) W. H. PITCHER, Chairman.
N. ELIJAH, Secretary.

COLERAINE AND CASTERTON WATERWORKS TRUST.

RATING BY-LAW (No. 48) FOR THE YEAR 1946.

THE Coleraine and Casterton Waterworks Trust, in pursuance and exercise of the powers conferred by the Water Acts, doth hereby make and levy a rate for the supply of water for domestic purposes of One shilling and eight pence in the pound on the annual municipal valuation of lands and tenements within the Casterton Urban District.

Provided that in no case shall the amount of rate payable per annum in respect of any tenement (other than on land on which there is no building) be less than One pound thirteen shillings and four pence, and in respect of land on which there is no building less than Ten shillings.

Such rate is made for the year commencing the first day of January, 1946, and shall be payable on the first day of January, 1946, at the office of the said Trust.

This By-law shall apply to the Urban District of Casterton, as such district is proclaimed and defined in an Order in Council bearing the date of the 22nd June, 1927.

Passed this 5th day of December, 1945.

(SEAL) W. H. PITCHER, Chairman.
N. ELIJAH, Secretary.

GISBORNE WATERWORKS TRUST.

RATING BY-LAW FOR THE YEAR 1946.

THE Gisborne Waterworks Trust, in pursuance and exercise of the powers conferred by the Water Acts, doth hereby make a rate for the supply of water for domestic purposes of One shilling and four pence in the pound of the annual municipal valuation of lands and tenements within the Gisborne Urban District.

Provided that in no case shall the amount of rate payable per annum in respect of any tenement (other than land on which there is no building) be less than Twenty-three shillings and four pence, and in respect of any land on which there is no building less than Thirteen shillings and four pence.

Such rate is made for the year commencing the first day of January, 1946, and shall be payable on the first day of January, 1946, at the office of the said Trust.

The maximum quantity of water to be supplied in any one year without further charge to any property rated by the Trust is hereby fixed at the quantity which, at a charge of Twelve pence per 1,000 gallons, would produce an amount equal to the amount of the rate levied on such property for the said year.

The charge for water supplied by measure to any property rated by the Trust in excess of such maximum quantity, computed as in the last preceding clause, is hereby fixed at Twelve pence per 1,000 gallons.

The charge for water supplied by measure shall be payable, on demand, at the office of the Trust.

Passed this 4th day of December, 1945.

(SEAL) CHAS. REYNOLDS, Chairman.
R. P. DIXON, Secretary.

WANGARATTA WATERWORKS TRUST.

RATING BY-LAW FOR THE YEAR 1946.

THE Wangaratta Waterworks Trust, in pursuance and exercise of the powers conferred by the Water Acts, doth hereby make a rate for the supply of water for domestic purposes of One shilling and four pence in the pound on the annual municipal valuation of lands and tenements liable to be rated within the Wangaratta Urban District.

Provided that in no case shall the amount of rate payable per annum in respect of any tenement (other than land on which there is no building) be less than twenty shillings, and in respect of any land on which there is no building less than Ten shillings.

Such rates are made and shall be levied upon the occupiers or owners of the said lands and tenements for the year commencing the 1st day of January, 1946, and shall be payable on the 1st day of January, 1946, at the office of the said Trust.

The maximum quantity of water to be supplied in any one year without further charge to any property rated by the Trust is hereby fixed at the quantity which, at a charge of One shilling per 1,000 gallons, would produce an amount equal to the amount of the rate levied on such property for the said year.

The charge for water supplied by measure to any property rated by the Trust in excess of such maximum quantity, computed as in the last preceding clause, is hereby fixed at Six pence per 1,000 gallons.

The charge for water supplied by measure to any property not rated by the Trust, except property owned by the Victorian Railways Commissioners, is hereby fixed at One shilling per 1,000 gallons, and the minimum quantity of water to be charged for in cases where water is so supplied is hereby fixed at 2,000 gallons.

The charge for water supplied by measure to properties owned by the Victorian Railways Commissioners is hereby fixed at Nine pence per 1,000 gallons.

The seal of the Wangaratta Waterworks Trust was hereby affixed this 3rd day of December, 1945, in the presence of—

(SEAL) JOHN RYAN, Chairman.
L. M. VINCENT, Commissioner.
J. McDONNELL, Secretary.

MAFFRA WATERWORKS TRUST.

RATING BY-LAW No. 34 FOR THE YEAR 1946.

THE Maffra Waterworks Trust, in pursuance and exercise of the powers conferred by the Water Acts, doth hereby make a rate for the supply of water for domestic purposes of Sixteen pence in the pound on the annual municipal valuation of lands and tenements liable to be rated in the Maffra Urban District.

Provided that in no case shall the amount of rate payable per annum in respect of any tenement (other than land on which there is no building) be less than Fifteen shillings, and in respect of any land on which there is no building less than Five shillings.

Such rates are made and shall be levied upon the occupiers or owners of the said lands or tenements for the year commencing on the 1st day of January, 1946, and shall be payable on the 1st day of January, 1946, at the office of the said Trust.

The maximum quantity of water to be supplied in any one year without further charge to any property rated by the Trust is hereby fixed at the quantity which, at a charge of Two shillings per 1,000 gallons, would produce an amount equal to the amount of the rate levied on such property for the said year.

The charge for water supplied by measure to any property rated by the Trust in excess of such maximum quantity, computed as in the last preceding clause, is hereby fixed at One shilling per 1,000 gallons.

The charge for water supplied to any property not rated by the Trust will be fixed by special agreement with the Trust.

The charge for water supplied by measure shall be payable, on demand, at the office of the Trust.

Passed this 20th day of November, 1945.

(SEAL) A. D. MATTHEW, Chairman.
ARTHUR M. RICE, Secretary.

TOWN OF HORSHAM WATERWORKS TRUST.

RATING BY-LAW FOR YEAR 1946.

THE Commissioners of the Town of Horsham Waterworks Trust do hereby make the following By-law, in pursuance of the provisions of the Water Acts:—

1. That the water rate for the year 1946 on all lands and tenements within the Town of Horsham Waterworks Trust District shall be One shilling and three pence in the pound on the municipal valuation of the Town of Horsham for the year 1945-46, with a minimum of One pound (£1) upon all tenements valued at or under Sixteen pounds (£16) and upon which a building is erected, except such as are entitled to the provisions of section 237 of the *Water Act 1928*.

2. (a) The maximum quantity of water to be supplied in any one year without further charge to any property rated by the Trust is hereby fixed at the quantity which, at a charge of One shilling and three pence per 1,000 gallons, would produce an amount equal to the amount of rate levied on such property for the said year.

(b) The charge for water supplied by measure to any property rated by the Trust in excess of such maximum quantity, computed as in the last preceding clause, is hereby fixed at Nine pence per 1,000 gallons.

(c) The charge for water supplied by measure to any property not rated by the Trust is hereby fixed at Nine pence per 1,000 gallons, and the minimum quantity of water to be charged for in cases where water is so supplied is hereby fixed at 27,000 gallons.

(d) The charge for water supplied by measure shall be payable, on demand, at the office of the Trust.

3. All water rates shall be payable on the 10th day of January, 1946, at the office of the Trust, Wilson-street, Horsham, where payments will be received during office hours.

4. Such officers as the Trust may from time to time appoint for the purpose are hereby authorized to demand, receive, and recover the said charges.

The foregoing By-law was passed by the Commissioners of the Town of Horsham Waterworks Trust on the 4th day of December, 1945, and the common seal hereunder affixed in the presence of—

RAY EMANUEL, Chairman.
(SEAL) R. E. CHARLES, Commissioner.
WILLIAM J. SINCLAIR, Secretary.

KYNETON SHIRE WATERWORKS TRUST.

RATING BY-LAW FOR 1946.

THE Kyneton Shire Waterworks Trust, in pursuance and in exercise of the powers conferred by the Water Acts, do hereby make and levy a rate for the supply of water for domestic purposes of Six pence in the pound on the annual municipal valuation of lands and tenements liable to be rated within the Kyneton Shire Waterworks Trust Urban District.

Provided that in no case shall the amount of rate payable per annum in respect of any tenement (other than land on which there is no building) be less than Ten Shillings, and in respect of any land on which there is no building less than Two shillings and six pence.

Such rates shall be levied upon the occupiers or owners of the said lands and tenements for the year commencing the 1st day of January, 1946, and shall be due and payable at the office of the Trust, Shire Hall, Kyneton, on the 1st day of January, 1946.

Passed this 12th day of December, 1945.

(SEAL) J. F. McKENNA, Chairman.
GEO. SWANSON, Secretary.

MALMSBURY WATERWORKS TRUST.

RATING BY-LAW FOR 1946.

THE Malmsbury Waterworks Trust, in pursuance and in exercise of the powers conferred by the Water Acts, do hereby make and levy a rate for the supply of water for domestic purposes of Twenty pence in the pound on the annual municipal valuation of lands and tenements liable to be rated in the Malmsbury Urban District.

Provided that in no case shall the amount payable per annum in respect of any tenement (other than land on which there is no building) be less than Thirty shillings.

Such rate is for the year commencing the 1st day of January, 1946, and shall be due and payable at the Town Hall, Malmsbury, on Tuesday, the 1st day of January, 1946.

Passed this 3rd day of December, 1945.

(SEAL) J. T. SPENCER, Chairman.
GEO. SWANSON, Secretary.

BOORT WATERWORKS TRUST.

RATING BY-LAW FOR 1946.

THE Boort Urban Waterworks Trust, in pursuance and exercise of the powers conferred by the Water Acts, do hereby make a rate for the supply of water for domestic purposes of One shilling and ten pence in the pound on the amount of the annual municipal valuation of the land and tenements liable to be rated within the Boort Urban District.

Provided that in no case shall the amount of the rate payable per annum in respect of any tenement (other than land on which there is no building) be less than Twenty-six shillings and eight pence, and in respect of any land on which there is no building less than Twenty-six shillings and eight pence.

Such rates are made and shall be levied upon occupiers or owners of the said lands and tenements for the year commencing the 1st day of January, 1946, and shall be payable on the 15th January, 1946, at the office of the Trust.

The maximum quantity of water to be supplied in any one year without further charge to any property rated by the Trust is hereby fixed at the quantity which, at a charge of Nine pence per 1,000 gallons, would produce an amount equal to the amount of the rate levied on such property for the said year.

The charge for water supplied by measure to any property rated by the Trust in excess of such maximum quantity, computed as in the last preceding clause, is hereby fixed at Nine pence per 1,000 gallons.

The charge for water supplied by measure shall be payable, on demand, at the office of the Trust.

Passed this 10th day of December, 1945.

(SEAL) W. H. ELLIOTT, Chairman.
W. D. SUTHERLAND, Secretary.

TRENTHAM WATERWORKS TRUST.

RATING BY-LAW FOR 1946.

THE Trentham Waterworks Trust, in pursuance and exercise of the powers conferred by the Water Acts, do hereby make and levy a rate for the supply of water for domestic purposes of sixteen pence in the pound on the net annual municipal valuation of lands and tenements within the Trentham Waterworks Urban District.

Provided that in no case shall the amount of rate payable in respect of any tenement (other than land on which there is no building) be less than Twenty shillings.

Such rate is for the year commencing the 1st day of January, 1946, and shall be due and payable at the office of the Trust, Mechanics Institute, Trentham, on the 1st day of January, 1946.

Passed this 11th day of December, 1945.

(SEAL) P. DRUMMOND, Chairman.
GEO. SWANSON, Secretary.

The foregoing Rating By-laws, made by the Riddell's Creek, Coleraine and Casterton (2), Gisborne, Wangaratta, Maffra, Horsham, Kyneton, Malmsbury, Boort, and Trentham Waterworks Trusts, respectively, were approved by the Governor in Council on the 18th day of December, 1945.

C. W. KINSMAN,
Clerk of the Executive Council.

Water Acts.

TOWN OF ARARAT WATER SUPPLY DISTRICT.

BY-LAW No. 47.—RATING BY-LAW FOR THE YEAR ENDING
30TH SEPTEMBER, 1946.

THE Council of the Town of Ararat, in pursuance and exercise of the powers conferred by the Water Acts, doth hereby make a rate for the supply of water for domestic purposes of One shilling and nine pence in the pound of the annual municipal valuation of lands and tenements liable to be rated within the Town of Ararat Water Supply District.

Provided that in no case shall the amount payable per annum in respect of any tenement, other than land on which there is no building, be less than £1 15s. and in respect of any land on which there is no building less than Five shillings.

Such rates are made and shall be levied upon the occupiers or owners of the said lands and tenements for the year ending the 30th day of September, 1946, and shall be payable on the 2nd day of January, 1946, at the office of the said Council.

The maximum quantity of water to be supplied in any one year without further charge to any property rated by the Council is hereby fixed at the quantity which, at a charge of Ten pence half-penny per 1,000 gallons, would produce an amount equal to the amount of the rate levied on such property for the said year.

The charge for water supplied by measure to any property rated by the Council in excess of such maximum quantity, computed as in the last preceding clause, is hereby fixed at Nine pence per 1,000 gallons.

The charge for water supplied by measure shall be payable, on demand, at the office of the Council.

Passed this 26th day of November, 1945.

(SEAL) NORMAN J. NEYLAN, Mayor.
H. J. BLACKIE, Councillor.
C. C. MURRAY, Town Clerk.

Approved by the Governor in Council,
11th December, 1945.

C. W. KINSMAN,
Clerk of the Executive Council.

Water Acts.

DONALD WATERWORKS TRUST.

A BY-LAW RESTRICTING THE USE OF WATER FOR GARDENING PURPOSES.

THE Donald Waterworks Trust, hereinafter referred to as "the Trust," pursuant to and in exercise of the powers conferred by the Water Acts, doth hereby make the By-law following:—

1. This By-law shall apply to and have force in the area under the jurisdiction of the Trust in the Township of Donald.

2. By-law made by the Trust on the 22nd day of May, 1945, and approved by the Governor in Council on the 5th June, 1945, and advertised in the *Government Gazette* on the 6th June, 1945, prohibiting the use of water for gardening purposes, is hereby repealed.

3. Commencing from the date of this publication in the *Government Gazette*, except with the written permission of the Trust, no person shall use or permit to be used or allowed to run on any garden any water supplied by the Trust—

(a) except between the hours of 5.30 in the afternoon and 7.30 in the afternoon of the same day.

(b) other than by means of a hose held in the hand or by means of a can or other vessel held in the hand.

4. Every person who shall use or permit or suffer water supplied by the Trust to be used contrary to the provisions of this By-law shall be guilty of an offence and shall be liable to a penalty not exceeding Five pounds, recoverable summarily before any court of competent jurisdiction, and in cases of continuing the offence to a further penalty not exceeding Five pounds for every day after notice of the offence from the Trust.

5. If any person supplied with water by the Trust wrongfully does or causes or permits to be done anything in contravention of this By-law, the Trust may (without prejudice to any remedy in respect thereof) close or cut off any of the pipes by or through which water is supplied by the Trust to him or for his use, and may cease to supply him with water as provided by the Water Acts.

The foregoing By-law was made by the Donald Waterworks Trust on the 13th November, 1945, and the common seal of the Trust was hereunto affixed on the 13th November, 1945, in the presence of—

(SEAL) B. M. BASSET, Chairman.
W. J. GOLDING, Commissioner.
H. C. SMALE, Secretary.

Approved by the Governor in Council,
11th December, 1945.

C. W. KINSMAN,
Clerk of the Executive Council.

Water Acts.

STATE RIVERS AND WATER SUPPLY COMMISSION.

TERANG URBAN DISTRICT.

NOTICE to owners of tenements in the under-mentioned street in the Terang Urban District, and the private streets, lanes, courts, and alleys opening thereto:—

Princes-highway, from McWilliam-street to a point about 28½ chains north-easterly from Dow-street.

The main pipe in the said street being laid down, the owners of all tenements situated as above are hereby required, on or before the 19th day of January next, to cause proper pipes and stop cocks to be laid, so as to supply water within such tenements from the main pipe.

L. DUGGAN, Secretary,
State Rivers and Water Supply Commission.

Melbourne, 17th December, 1945.

The Licensing Act 1928.

REGISTRATION OF BREWERS.

THE Richmond Nathan System Brewing Company Proprietary Limited has this day caused to be registered its name and a particular description of its premises at Thompson-street, Hamilton, wherein it proposes to carry on the business of a brewer during the year 1946.

THE Ballarat Brewing Company Limited has this day caused to be registered its name and a particular description of its premises at Brown-street, Hamilton, wherein it proposes to carry on the business of a brewer during the year 1946.

Dated at Hamilton, this 26th day of November, 1945.

P. J. O'CONNOR,
Clerk of the Licensing Court for the
Licensing District of Dundas.

The Licensing Acts.

REGISTRATION OF BREWERS.

EACH of the under-mentioned bodies corporate has caused to be registered its name and a particular description of the premises in which it is proposed to carry on the business of a brewer during the year 1946:—

Carlton and United Breweries Limited, 1 Smith-street, Bairnsdale.

Gippsland Brewery Pty. Ltd., York-street, Sale.

Dated at Sale, this 12th day of December, 1945.

W. H. KIFT,
Clerk of the Licensing Court for the Licensing
District of Gippsland North.

The Licensing Acts.

REGISTRATION OF BREWERS.

CARLTON AND UNITED BREWERIES LIMITED has this day caused to be registered its name and a particular description of its premises at Timor-street, Warrnambool, wherein it proposes to carry on the business of a brewer during the year 1946.

Dated at Warrnambool, this 13th day of December, 1945.

R. L. PAIGE,
Clerk of the Licensing Court for
the Licensing District of Warrnambool.

CARLTON AND UNITED BREWERIES LIMITED has this day caused to be registered its name and a particular description of its premises at Hume-street, Wodonga, wherein it proposes to carry on its business of a brewer during the year 1946.

Dated at Wodonga, this 14th day of December, 1945.

A. F. WOOLLARD,
Clerk of the Licensing Court for
the Licensing District of Benambra.

Marine Act 1928.

AMENDMENT OF PILOTAGE RATES.

UNDER the powers in that behalf conferred by section 79 of the *Marine Act 1928*, and under all other powers it in that behalf enabling, the Marine Board of Victoria, with the approval of His Excellency the Governor in Council, doth ordain and determine as follows:—

"That on and after the first day of January, One thousand nine hundred and forty-six, the pilotage rate from without Port Phillip Heads to an anchorage or pier in Hobson's Bay or Corio Bay, or vice versa for steamships and ships propelled by electricity or other mechanical power up to and including 6,000 tons of the vessel's burthen, shall be Two pence three farthings (2½d.) per ton calculated on the vessel's net registered tonnage, from 6,001 tons up to and including 10,000 tons One penny half-penny (1½d.) per ton, and for every additional ton over 10,000 tons One-sixteenth (1/16d.), subject in any case to a minimum charge of Two pounds ten shillings (£2 10s.)."

The foregoing ordinance and determination was passed at a meeting of the Marine Board of Victoria, held on the 14th day of December, in the year of our Lord One thousand nine hundred and forty-five.

D. S. STEVENSON, President.
 (SEAL) W. H. SOUTH, Member.
 D. McALISTER, Member.
 R. S. ROHNER, Secretary.

Approved by the Governor in Council,
 18th December, 1945.

C. W. KINSMAN,
 Clerk of the Executive Council.

SUMMONING OFFICER.

I HEREBY appoint the under-mentioned person, under section 31 of the *Education Act 1928*, to summon parents within the State of Victoria:—

First Constable RONALD KNIGHT, No. 8792.

FRANCIS FIELD,
 Minister of Public Instruction.

Education Department,
 Melbourne, 12th December, 1945.

SUMMONING OFFICER.

I HEREBY appoint the under-mentioned person, under section 31 of the *Education Act 1928*, to summon parents within the State of Victoria:—

First Constable VINCENT JAMES ALFRED CONDON, No. 8261.

FRANCIS FIELD,
 Minister of Public Instruction.

Education Department,
 Melbourne, 13th December, 1945.

Water Acts.

HEATHCOTE WATERWORKS TRUST.

At the Executive Council Chamber, Melbourne, the
 eleventh day of December, 1945.

PRESENT:

His Excellency the Governor of Victoria.
 Mr. Galvin | Mr. Fraser.
 Mr. Kennelly

AMENDMENT OF ORDER FIXING THE LIMIT OF THE OVERDRAFT TO BE OBTAINED BY THE HEATHCOTE WATERWORKS TRUST.

UNDER the powers conferred by the Water Acts and all other powers enabling him in that behalf, His Excellency the Governor of the State of Victoria, by and with the advice of the Executive Council of the said State, doth hereby amend, as follows, the Order in Council made on the 18th day of September, 1945, and published in the *Government Gazette*, dated 19th September, 1945.

For the expression "at an amount not to exceed at any one time the sum of One thousand pounds (£1,000)" there shall be substituted the expression "at an amount not to exceed at any one time the sum of One thousand Five hundred pounds (£1,500)".

And the Honorable Leslie William Galvin, His Majesty's Minister of Water Supply for the State of Victoria, shall give the necessary directions herein accordingly.

C. W. KINSMAN,
 Clerk of the Executive Council.

EDUCATION ACT 1928.

At the Executive Council Chamber, Melbourne, the
 eleventh day of December, 1945.

PRESENT:

His Excellency the Governor of Victoria.
 Mr. Galvin | Mr. Fraser.
 Mr. Kennelly

REGULATION XXI.—SCHOLARSHIPS AMENDED.

HIS Excellency the Governor of the State of Victoria, by and with the advice of the Executive Council thereof, and in pursuance of the powers conferred by section 24 of the *Education Act 1928* and of all other powers thereto enabling, doth hereby amend Regulation XXI.—Scholarships—in the manner following, that is to say:—

In sub-clause (c) of clause 9 after the words "at district high schools" there shall be inserted the words "or technical schools."

In sub-clause (b) of clause 15 after the words "or Science" there shall be inserted the words "or Engineering."

In sub-clause (c) of clause 43 after the words "or Science" there shall be inserted the words "or Engineering."

In clause 5 of Schedule I., after the words "an amount of Forty pounds in respect of each year or portion of a year of the student's tenure of h scholarship" there shall be inserted the words "together with an amount equal to the total amount of all maintenance and living allowances which the student has received in respect of h scholarship."

In clause 5 of Schedule III., after the words "an amount of Thirty pounds in respect of each year or portion of a year of the student's tenure of h scholarship" there shall be inserted the words "together with an amount equal to the total amount of all maintenance and living allowances which the student has received in respect of h scholarship."

In clause 5 of Schedule IV., after the words "an amount of Thirty pounds in respect of each year or portion of a year of the student's tenure of h free place" there shall be inserted the words "together with an amount equal to the total amount of all maintenance and living allowances which the student has received in respect of h free place".

And the Honorable Francis Field, His Majesty's Minister of Public Instruction for the State of Victoria, shall give the necessary directions herein accordingly.

C. W. KINSMAN,
 Clerk of the Executive Council.

MILK PASTEURIZATION ACT 1943 (No. 4972).

At the Executive Council Chamber, Melbourne, the
 eleventh day of December, 1945.

PRESENT:

His Excellency the Governor of Victoria.
 Mr. Galvin | Mr. Fraser.
 Mr. Kennelly.

MILK PASTEURIZATION COMMITTEE.—
 RE-APPOINTMENT OF MEMBERS.

IN pursuance of the powers in that behalf conferred by the *Milk Pasteurization Act 1943* (No. 4972), His Excellency the Governor of the State of Victoria, by and with the advice of the Executive Council thereof, doth by this Order hereby re-appoint the under-mentioned persons as members of the Milk Pasteurization Committee for a period of two (2) years from and inclusive of the 23rd December, 1945:—

ROBERT JOHN DE COURCY TALBOT, subject to his continuing to be an officer of the Department of Agriculture.

JOHN THOMAS PACKER, subject to his continuing to be a member of the Milk Board, constituted under the Milk Board Acts.

JOHN AUSTIN CAHILL, subject to his continuing to be a medical officer of health of a municipality, the municipal district of which is specified in the Schedule to the above-mentioned Act.

And the Honorable William George McKenzie, His Majesty's Minister of Agriculture for the State of Victoria, shall give the necessary directions herein accordingly.

C. W. KINSMAN,
 Clerk of the Executive Council.

GRAIN ELEVATORS ACT 1934 (No. 4270).

At the Executive Council Chamber, Melbourne, the
eleventh day of December, 1945.

PRESENT:

His Excellency the Governor of Victoria.
Mr. Galvin | Mr. Fraser.
Mr. Kennelly |

DEFINITION OF AREAS.—ORDERS AMENDED.

IN accordance with the provisions of section 10 of the *Grain Elevators Act 1934*, His Excellency the Governor of the State of Victoria, by and with the advice of the Executive Council thereof, doth hereby approve that the following amendments be made to the Schedules to the Orders in Council of the 13th November, 1939, 20th November, 1939, and 18th November, 1940, and amendments made on the 26th November, 1940, and 26th November, 1941, defining the areas with respect to which elevators have been constructed to provide facilities for handling wheat grown or being in such areas, such amendments to come into operation from and inclusive of the 12th December, 1945, that is to say:—

AMENDMENTS TO THE SCHEDULE TO THE ORDER MADE ON THE 13TH NOVEMBER, 1939, AS AMENDED ON THE 26TH NOVEMBER, 1940, AND THE 26TH NOVEMBER, 1941.

In the Defined Area in Respect of the Elevator Situated at Tutye.

Add the following allotment (or portion) numbers:—

County of Weeah, Parish of Worroo, allotments 10, 16, 17, 17A.

AMENDMENTS TO THE SCHEDULE TO THE ORDER MADE ON THE 20TH NOVEMBER, 1939, AS AMENDED ON THE 26TH NOVEMBER, 1940, AND THE 26TH NOVEMBER, 1941.

In the Defined Area in Respect of the Elevator Situated at Tarranginnie.

Add the following allotment (or portion) numbers:—

County of Lowan, Parish of Tarranginnie, allotments 98, 98A, 99, 207.

AMENDMENTS TO THE SCHEDULE TO THE ORDER MADE ON THE 18TH NOVEMBER, 1940.

In the Defined Area in Respect of the Elevator Situated at Willaura.

Add the following allotment (or portion) numbers:—

County of Ripon, Parish of Kiora, allotments 1A, 1B, 2A, 3A, 3B, 4A, 4B, 32A, 32B, 33A, 33B, 36A2, 36B1, 37A, 37B, 38A, 38B, 48A, 48B, 49A, 49B, 49C, 50A, 50B, 51A, 51B1, 54A1, 54B1, 54C, 55A, 55B, 60, 61A, 66A, 66B, 67A, 67B.

And the Honorable William George McKenzie, His Majesty's Minister of Agriculture for the State of Victoria, shall give the necessary directions herein accordingly.

C. W. KINSMAN,
Clerk of the Executive Council.

COUNTRY ROADS BOARD.

At the Executive Council Chamber, Melbourne, the
eleventh day of December, 1945.

PRESENT:

His Excellency the Governor of Victoria.
Mr. Galvin | Mr. Fraser.
Mr. Kennelly |

ORDER APPROVING OF A NEW MAIN ROAD IN THE SHIRE OF FERNTREE GULLY.

WHEREAS the Country Roads Board constituted under the *Country Roads Act 1928* (No. 3662) has represented to His Excellency the Governor in Council that it appears to it desirable that the new Stud-road in the Shire of Ferntree Gully should be made by the said Board: And whereas the said Board in accordance with the requirements of section 19 of the said cited Act has caused to be prepared a map plan and estimate showing the points between which and on and through what land the said new road is proposed to be made and the cost of acquiring the land and constructing the said new road: And whereas on an inspection of the said map and plan and a consideration of the said estimate His Excellency the Governor in Council is satisfied that there are funds legally available for acquiring the land and constructing the said new road: Now therefore be it known by this present,
No. 170.—11991/45.—2

Order that His Excellency the Governor of the State of Victoria with the advice of the Executive Council thereof doth hereby approve of the said road being made, that is to say:—

All that piece of land in the Parish of Scoresby, the boundaries of which are as follows:—Commencing at the north-western angle of lot 21 on plan of subdivision numbered 8723, lodged in the Office of Titles, and being part of allotment 43 of the said parish; thence by lines bearing respectively 43 deg. 58 min. 150 links, 201 deg. 59 min. 278.2 links, and 360 deg. 0 min. 150 links to the point of commencement— which said piece of land is particularly delineated and shown coloured red on survey plan numbered 4717, lodged in the office of the Country Roads Board.

ORDER APPROVING OF A NEW MAIN ROAD IN THE SHIRE OF MANSFIELD.

WHEREAS the Country Roads Board constituted under the *Country Roads Act 1928* (No. 3662) has represented to His Excellency the Governor in Council that it appears to it desirable that the new Mansfield-road in the Shire of Mansfield should be made by the said Board: And whereas the said Board in accordance with the requirements of section 19 of the said cited Act has caused to be prepared a map plan and estimate showing the points between which and on and through what land the said new road is proposed to be made and the cost of acquiring the land and constructing the said new road: And whereas on an inspection of the said map and plan and a consideration of the said estimate His Excellency the Governor in Council is satisfied that there are funds legally available for acquiring the land and constructing the said new road: Now therefore be it known by this present Order that His Excellency the Governor of the State of Victoria with the advice of the Executive Council thereof doth hereby approve of the said road being made, that is to say:—

All that piece of land in the Parish of Boorolite, the boundaries of which are as follow:—Commencing at a point in allotment 2E of the said parish, distant 360 deg. 0 min. 2,533 links and 147 deg. 55 min. 2,180 links from the south-western angle of the said allotment; thence by a line bearing 134 deg. 12 min. 280.5 links to the west bank of the Timber-top Creek; thence south-westerly by the said bank a distance of 72 links; thence by a line bearing 327 deg. 55 min. 300 links to the point of commencement— which said piece of land is particularly delineated and shown coloured red on survey plan numbered 4719, lodged in the office of the Country Roads Board.

And the Honorable Patrick John Kennelly, His Majesty's Commissioner of Public Works for the State of Victoria, shall give the necessary directions herein accordingly.

C. W. KINSMAN,
Clerk of the Executive Council.

COAL MINE WORKERS PENSIONS ACT 1942 (No. 4932).

At the Executive Council Chamber, Melbourne, the
eleventh day of December, 1945.

PRESENT:

His Excellency the Governor of Victoria.
Mr. Galvin | Mr. Fraser.
Mr. Kennelly |

SUSPENSION OF OPERATION OF SUB-SECTIONS (1) AND (2) OF SECTION 5 TERMINATED.

WHEREAS by Order in Council dated the twelfth day of April, 1943, the operation of the provisions of sub-sections (1) and (2) of section 5 of the *Coal Mine Workers Pensions Act 1942* (No. 4932), with respect to all coal miners, was suspended for the duration of the war: Now therefore His Excellency the Governor of the State of Victoria, by and with the advice of the Executive Council thereof, and in pursuance of the powers conferred by paragraph (c) of sub-section (7) of section 5 of the said *Coal Mine Workers Pensions Act 1942*, doth hereby order that the suspension of the operation of the said provisions shall terminate from and inclusive of the first day of January, 1946.

And the Honorable John Cain, His Majesty's Treasurer for the State of Victoria, shall give the necessary directions herein accordingly.

C. W. KINSMAN,
Clerk of the Executive Council.

MOTOR OMNIBUS ACT 1928 (No. 3742).

At the Executive Council Chamber, Melbourne, the
eleventh day of December, 1945.

PRESENT:

His Excellency the Governor of Victoria.
Mr. Galvin | Mr. Fraser.
Mr. Kennelly

PRESCRIBING OF METROPOLITAN MOTOR OMNIBUS ROUTE No. 110A (FOOTSCRAY, SUNSHINE, Etc.).

HIS Excellency the Governor of the State of Victoria, by and with the advice of the Executive Council thereof, and in pursuance of the powers conferred by the *Motor Omnibus Act 1928* (No. 3742), doth by this Order prescribe, as set out hereunder, a certain route, viz., No. 110A, within the metropolitan area, along which motor omnibuses for which "regular service" licences are granted may ply for hire, viz.:

DESCRIPTION OF ROUTE, INCLUDING COMMENCING AND TERMINAL POINTS.

Commencing in Paisley-street, Footscray, near Nicholson-street; thence via Paisley, Victoria, Barkly and Gordon streets, Ballarat-road, Duke-street, Devonshire and Hampshire roads, to a point in Hampshire-road adjacent to entrance to Melbourne departure platform, Sunshine Railway Station; with extensions (a) via Mitchell-street, Hampstead-road, West's-road, and Raleigh-road, to Ordnance and Explosives Factories, Maribyrnong; (b) via Hampshire-road to Sunshine State School; and (c) via Hampshire-road, Wright-street, and Market-road, to Drayton Refractories.

Sections on Route.—

- (1) Between Nicholson-street and corner of Gordon-street and Ballarat-road.
- (2) Between corner of Gordon-street and Ballarat-road and Thomson-street.
- (3) Between Thomson-street and Vine-street.
- (4) Between Vine-street and corner of Duke-street and Devonshire-road.
- (5) Between corner of Duke-street and Devonshire-road and Sunshine Railway Station, also Sunshine State School.
- (6) Between Sunshine Railway Station and Drayton Refractories.
- (7) Between Sunshine Railway Station and Ordnance Factory.
- (8) Between Sunshine Railway Station and Explosives Factory.

Fares to be Charged.—Sections Nos. 1 to 5, inclusive—any one section 2d.; each additional section, 1d.; through fare, 6d.; section No. 6, 3d.; section No. 7, 4d.; section No. 8, 5d.

Time Tables to be Observed.—Minimum service on normal route (Footscray-Sunshine Railway Station)—20 minutes, 6.15 a.m. to 12.20 a.m., week days, excepting Saturdays; 6.15 a.m. to 12.50 a.m., Saturdays; 30 minutes, 8.5 a.m. to 11.50 p.m., Sundays. Minimum service on extensions.—Ordnance and Explosives Factories, four trips daily on week days, excluding Saturdays; Sunshine State School, four trips daily on week days, excluding Saturdays; Drayton Refractories, two trips daily on week days, excluding Saturdays.

Maximum Number of Motor Omnibuses which may be Licensed on Route.—Five.

Licensing Authority.—Pursuant to the provisions of section 15 (1) (c) of the *Motor Omnibus Act 1928* (No. 3742), the Governor in Council by this Order confers upon the Licensing Authority full power and authority for the carrying into effect by the said Licensing Authority of the foregoing provisions of this Order.

VARIATION OF SERVICE ON METROPOLITAN MOTOR OMNIBUS ROUTE No. 36A (HAMPTON).

HIS Excellency the Governor of the State of Victoria, by and with the advice of the Executive Council thereof, and in pursuance of the powers conferred by the *Motor Omnibus Act 1928* (No. 3742), doth by this Order add as set out hereunder to the prescription in respect of a certain route, viz., No. 36A, within the metropolitan area along which motor omnibuses for which "regular service" licences are granted may ply for hire, viz.:

Time Tables.—Under the heading "Time Tables to be Observed," add "Provided, however, that no service shall necessarily be given on any day, Sundays included, between 9 p.m. and 9.30 p.m."

Further, His Excellency the Governor in Council doth, pursuant to the provisions of section 15 (1) (c) of the *Motor Omnibus Act 1928* (No. 3742), by this Order confer upon the Licensing Authority full power and authority for the carrying into effect by the said Licensing Authority of the foregoing provisions of this Order.

EXTENSION OF METROPOLITAN MOTOR OMNIBUS ROUTE No. 94A (ELWOOD-ORMOND).

HIS Excellency the Governor of the State of Victoria, by and with the advice of the Executive Council thereof, and in pursuance of the powers conferred by the *Motor Omnibus Act 1928* (No. 3742), doth by this Order extend, as set out hereunder, a certain route, viz., No. 94A, within the metropolitan area, along which motor omnibuses for which "regular service" licences are granted may ply for hire, viz.:

Route.—Under the heading "Description of Route, including Commencing and Terminal Points," delete "and Eumeralla-road to the corner of Eumeralla-road and Booran-road, South Caulfield," and in place thereof insert "Eumeralla-road, Booran-road, Foch-street, and Newham-grove, to the corner of Newham-grove and North-road, adjacent to Ormond Railway Station."

Sections.—Under the heading "Sections on route" add "(5) between corner of Eumeralla-road and Booran-road and North-road."

Fares.—Under the heading "Fares to be Charged" amend "5d." to read "6d."

Motor Omnibuses.—Under the heading "Maximum Number of Motor Omnibuses which may be Licensed on Route" amend "5" to read "7."

Licensing Authority.—Pursuant to the provisions of section 15 (1) (c) of the *Motor Omnibus Act 1928* (No. 3742), the Governor in Council by this Order confers upon the Licensing Authority full power and authority for the carrying into effect by the said Licensing Authority of the foregoing provisions of this Order.

And the Honorable Patrick John Kennelly, His Majesty's Commissioner of Public Works for the State of Victoria, shall give the necessary directions herein accordingly.

C. W. KINSMAN,
Clerk of the Executive Council.

GRAIN ELEVATORS ACT 1934 (No. 4270).

At the Executive Council Chamber, Melbourne, the
eighteenth day of December, 1945.

PRESENT:

His Excellency the Governor of Victoria.
Mr. Cain | Mr. Hayes
Mr. Galvin | Mr. Fraser
Mr. Kennelly | Mr. Coleman.

AMENDING THE SCHEME SUBMITTED BY THE GRAIN ELEVATORS BOARD FOR COUNTRY AND TERMINAL ELEVATORS THROUGHOUT VICTORIA.

IN pursuance of the provisions in that behalf contained in section 11 of the *Grain Elevators Act 1934*, His Excellency the Governor of the State of Victoria, by and with the advice of the Executive Council of the said State, doth by this Order hereby amend the Order made on the 16th June, 1936, as amended on the 12th October, 1937, and the 6th December, 1937, approving the scheme submitted by the Grain Elevators Board for country and terminal elevators in so far as it relates to country elevators as follows (that is to say):—

After the words "Type 'A'"—

Delete the expression "65,000 bushels" and insert in lieu thereof the expression "from 65,000 bushels to 68,000 bushels."

Delete the name "Wahgunyah".

Add the name "Rupanyup".

And the Honorable William George McKenzie, His Majesty's Minister of Agriculture for the State of Victoria, shall give the necessary directions herein accordingly.

C. W. KINSMAN,
Clerk of the Executive Council.

DEPARTMENT OF LANDS AND SURVEY.

At the Executive Council Chamber, Melbourne, the thirteenth day of December, 1945.

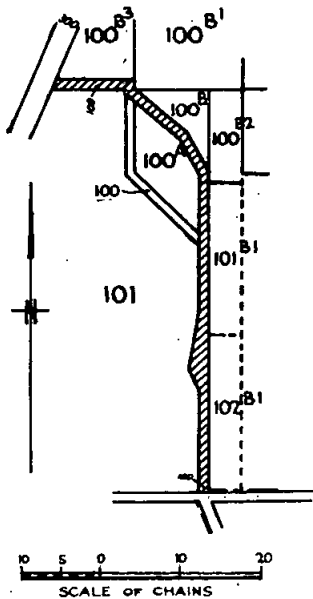
PRESENT:

His Excellency the Governor of Victoria.
Mr. Kennelly | Mr. Coleman.

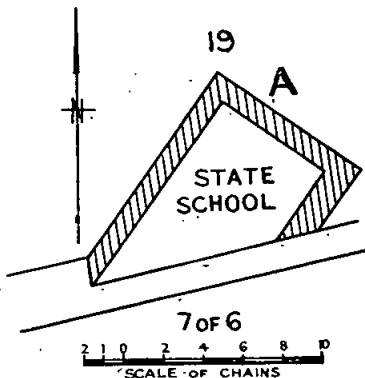
UNUSED AND UNMADE ROADS CLOSED.

HIS Excellency the Governor of the State of Victoria, by and with the advice of the Executive Council thereof, doth hereby direct that, in pursuance of the provisions of section 304 of the Land Act 1928 (No. 3709), the unused and unmade roads referred to hereunder be closed, viz.:

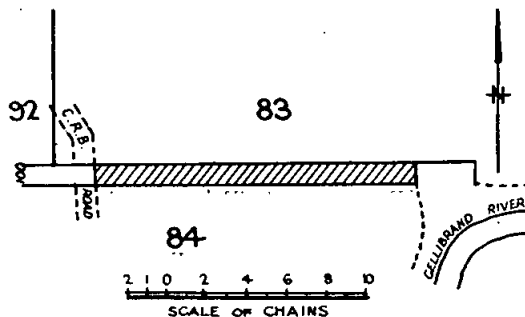
Parish of Bontherambo, County of Bogong, being the road indicated by hachure on plan hereunder.—B.587(3) (H.017547).



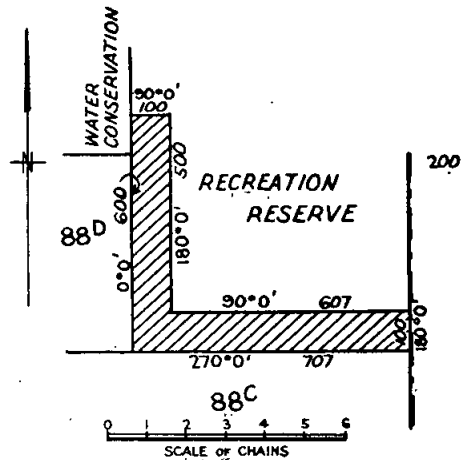
Parish of Edi, County of Delatite, being the road indicated by hachure on plan hereunder.—(E.108(5)) (H.017526).



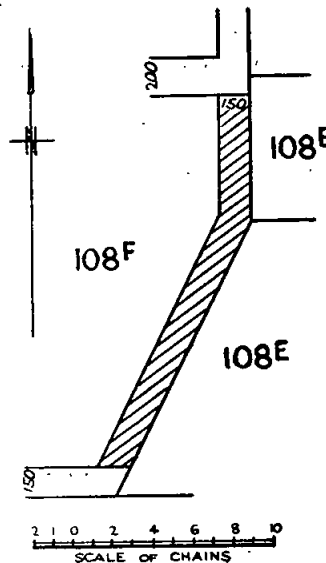
Parish of La Trobe, County of Heytesbury, being the road indicated by hachure on plan hereunder.—(L.143(4)) (C.89544).



Parish of Wallaloo, County of Kara Kara, being the road indicated by hachure on plan hereunder.—(W.276(2)) (C.89693).



Parish of Woodend, County of Dalhousie, being the road indicated by hachure on plan hereunder.—(W.276A) (C.83346).



REVOCATION OF TEMPORARY RESERVATIONS OF
LANDS BY ORDERS IN COUNCIL.

HIS Excellency the Governor of the State of Victoria, by and with the advice of the Executive Council thereof, doth hereby, in pursuance of the provisions of the *Land Act* 1928, revoke the temporary reservations of the lands by Orders in Council hereinafter referred to, viz.:—

BOHO.—Site for a State School.

BOORT.—Site for conservation of water.

(For technical descriptions, see *Government Gazette* of the 14th November, 1945.)

And the Honorable Leslie William Galvin, His Majesty's Commissioner of Crown Lands and Survey for the State of Victoria, shall give the necessary directions herein accordingly.

C. W. KINSMAN,
Clerk of the Executive Council.

SOIL CONSERVATION ACTS.

At the Executive Council Chamber, Melbourne, the
eighteenth day of December, 1945.

PRESENT:

His Excellency the Governor of Victoria.	
Mr. Cain	Mr. Hayes
Mr. Galvin	Mr. Fraser
Mr. Kennelly	Mr. Coleman.

APPOINTMENT OF MEMBERS OF REGIONAL ADVISORY
COMMITTEES.

IN pursuance of the provisions of the Soil Conservation Acts, His Excellency the Governor of the State of Victoria, by and with the advice of the Executive Council thereof, doth hereby appoint the undermentioned persons to be members of the following Regional Advisory Committees for the period ending 29th December, 1946:—

MALLEE REGIONAL ADVISORY COMMITTEE.

(Comprising the Mallee area.)

The Honorable EDMOND JOHN HOGAN, Chairman of the Soil Conservation Board;

ELLIOTT WILLIAM MAHON, L.S., M.V.I.S., a representative of the Department of Crown Lands and Survey;

HORACE LESLIE HORE, B.Agr.Sc., a representative of the Department of Agriculture; and

Councillor DAVID JOHN WILSON ALLEN, J.P., of Lascelles; GEORGE DOUGLAS BRYDON, of Swan Hill; and FRANK ARTHUR MRAQUER, of Carina—representing grazing, agricultural, or other relevant interests, in the region or district for which this Committee is appointed.

EAST WIMMERA REGIONAL ADVISORY COMMITTEE.

(Area comprising the Shires of Kara Kara, Charlton, Korong, Bet Bet, Donald, and Marong, the Parishes of Warmur and Narraport, in the Shire of Birchip; that portion of the Shire of Wycheproof not included in the Mallee Regional Advisory Committee area; that portion of the Shire of Gordon west of the River Loddon and not included in the Mallee Regional Advisory Committee area; and the Parishes of Rich Avon West, Burrum Burrum, and portion of the Parish of Laen, in the Shire of Dunmunkle.)

The Honorable EDMOND JOHN HOGAN, Chairman of the Soil Conservation Board;

ELLIOTT WILLIAM MAHON, L.S., M.V.I.S., a representative of the Department of Crown Lands and Survey;

HORACE LESLIE HORE, B.Agr.Sc., a representative of the Department of Agriculture; and

GEORGE CHARLES HENDERSON, C.E., of St. Arnaud; Councillor STANLEY GRIFFITH JOHN, J.P., of Yeungroon; and Councillor STANLEY ROSS CATTO, J.P., of Rheola—representing grazing, agricultural, or other relevant interests in the region or district for which this Committee is appointed.

UPPER GOULBURN REGIONAL ADVISORY COMMITTEE.

(Area comprising the Shires of Mansfield, Alexandra, Yea, Broadford, and that portion of the Shire of Healesville north of the Dividing Range, exclusive of areas under the control of the Melbourne and Metropolitan Board of Works for the water supply of the metropolis.)

The Honorable EDMOND JOHN HOGAN, Chairman of the Soil Conservation Board;

KEITH LYTTON CHAPPEL, L.S., M.V.I.S., a representative of the Department of Crown Lands and Survey;

WALTER DUDLEY ANDREW, M.Agr.Sc., a representative of the Department of Agriculture; and

JAMES FIRTH, Forests Commission; Councillor HARRY CAMPBELL GORDON, J.P., of Yea; and JOHN HUGH ROSS, of Mansfield—representing grazing, agricultural, or other relevant interests in the region or district for which this Committee is appointed.

LOWER GOULBURN REGIONAL ADVISORY COMMITTEE.

(Area comprising the Shires of Seymour, Goulburn, Violet Town, Euroa, and Benalla, and the Parishes of Currawa, Dookie, and Pine Lodge, in the Shire of Shepparton.)

The Honorable EDMOND JOHN HOGAN, Chairman of the Soil Conservation Board;

KEITH LYTTON CHAPPEL, L.S., M.V.I.S., a representative of the Department of Crown Lands and Survey;

WALTER DUDLEY ANDREW, M.Agr.Sc., a representative of the Department of Agriculture; and

ROBERT DONALD BAKEWELL, of Benalla; Councillor DENIS MCCORMACK, of Gooram; and Councillor WILLIAM DUNCAN CHISHOLM, of Fernside, Seymour—representing grazing, agricultural, or other relevant interests in the region or district for which this Committee is appointed.

HUME CATCHMENT REGIONAL ADVISORY COMMITTEE.

(Area comprising the Victorian section of the Hume Reservoir catchment.)

The Honorable EDMOND JOHN HOGAN, Chairman of the Soil Conservation Board;

KEITH LYTTON CHAPPEL, L.S., M.V.I.S., a representative of the Department of Crown Lands and Survey;

JOHN ALEXANDER MORROW, B.Agr.Sc., a representative of the Department of Agriculture; and

WALTER JOHN ZIMMER, Dip. For., Forests Commission; LOFUS VERNON BROWN, L.S., M.V.I.S., of Tallangatta; and JAMES OLAF HOLSTON, of Omeo—representing grazing, agricultural, or other relevant interests in the region or district for which this Committee is appointed.

GLENELG REGIONAL ADVISORY COMMITTEE.

(Area comprising the Shires of Wannon and Glenelg, the Parishes of Tahara and Grassdale in the Shire of Portland, and Parishes of Boikerbert, Murrandarra, Edenhope, Yullakar, Wombelano, Toolongrook, Toolondo, Wytwarrone, Meereek, Durong, Kadnook, Connawirrecoo, Harrow, Koutnarin, Telangatak, and Yat Nat in the Shire of Kowree.)

The Honorable EDMOND JOHN HOGAN, Chairman of the Soil Conservation Board;

CHARLES PRESTON MAITLAND YOUNGER, a representative of the Department of Crown Lands and Survey;

FRANCIS ROBERT DRAKE, B.Agr.Sc., a representative of the Department of Agriculture; and

Councillor THOMAS JAMES CAREY, of Nareen; Councillor WILLIAM TEMPLETON, of Tahara Bridge; and Councillor RONALD FYFE-JAMIESON, of Kadnook, Harrow—representing grazing, agricultural, or other relevant interests in the region or district for which this Committee is appointed.

PYRENEES REGIONAL ADVISORY COMMITTEE.

(Area comprising the Shires of Stawell, Ararat, Avoca, Lexton, and Ripon.)

The Honorable EDMOND JOHN HOGAN, Chairman of the Soil Conservation Board;

ALBERT EDWARD DAVEY, a representative of the Department of Crown Lands and Survey;

ROBERT LESLIE TWENTYMAN, B.Agr.Sc., a representative of the Department of Agriculture;

Councillor ERNEST HEARD, of Willaura; ALAN GEORGE HOLDEN, of "Overdale," Stawell; and

WILLIAM HENRY KAYE, of Glenpatrick, via Elmhurst—representing grazing, agricultural, or other relevant interests in the region or district for which this Committee is appointed.

And the Honorable John Cain, His Majesty's Premier of the State of Victoria, shall give the necessary directions herein accordingly.

C. W. KINSMAN,
Clerk of the Executive Council.

FACTORIES AND SHOPS ACTS.

*At the Executive Council Chamber, Melbourne, the
eighteenth day of December, 1945.*

PRESENT:

His Excellency the Governor of Victoria.

Mr. Cain	Mr. Hayes
Mr. Galvin	Mr. Fraser
Mr. Kennelly	Mr. Coleman.

HOLIDAYS IN CERTAIN TRADES.

UNDER the powers in that behalf conferred by the Factories and Shops Acts, His Excellency the Governor of the State of Victoria, by and with the advice of the Executive Council thereof, and—

1. On the recommendation of a Wages Board, described as the Shops Board No. 10 (Fish and Poultry), doth hereby make the following Regulation, that is to say:—

The twenty-fifth day of February, 1946, shall, in the metropolitan district, as defined in the Factories and Shops Acts and the Order in Council made thereunder, and such portions of the City of Sandringham as are not included in the said district; the Cities of Ballarat, Bendigo, Geelong, Geelong West, and Warrambool, the Town of Newtown and Chilwell, and the Boroughs of Eaglehawk and Sebastopol, be fixed as a holiday for persons wheresoever employed in the business of—

- (a) killing, plucking, dressing poultry or game;
- (b) preparing fish for sale, uncooked or for canning, drying, or smoking;
- (c) selling by wholesale or retail (except for consumption on the premises), poultry, game, fish, or oysters;
- (d) marketing (in fish and poultry markets) poultry, game, or fish.

2. On the recommendation of a Wages Board, described as the Tinsmiths' Board, doth hereby make the following Regulation, that is to say:—

The second day of March, 1946, shall, in the metropolitan district, as defined in the Factories and Shops Acts, be fixed as a holiday for every person employed in the trade or business of manufacturing articles made of tin plate, or other sheet metal, including the japanning of such articles.

3. On the recommendation of a Wages Board, described as the Shops Board No. 2 (Boot Repairers), doth hereby make the following Regulation, that is to say:—

The twenty-fifth day of February, 1946, shall, in the metropolitan district, as defined in the Factories and Shops Acts, be fixed as a holiday for persons employed in boot repairers' shops.

4. On the recommendation of a Wages Board, described as the Shops Board No. 19 (Confectionery, Pastry, Fruit, and Vegetable), doth hereby make the following Regulation, that is to say:—

The eleventh day of March, 1946, shall, in the metropolitan district, as defined in the Factories and Shops Acts, be fixed as a holiday for persons employed in fruit and vegetable shops.

5. On the recommendation of a Wages Board, described as the Brushmakers' Board, doth hereby make the following Regulation, that is to say:—

The twenty-third day of February, 1946, shall, in the metropolitan district, as defined in the Factories and Shops Acts, be fixed as a holiday for every person employed in the process, trade, or business of a brush-maker.

6. On the recommendation of a Wages Board, described as the Gas Meter Board, doth hereby make the following Regulation, that is to say:—

The second day of March, 1946, shall, in the metropolitan district, as defined in the Factories and Shops Acts, be fixed as a holiday for every person employed in the process, trade, business, or occupation of making or repairing gas meters.

7. On the recommendation of a Wages Board, described as the Hairdressers' Board, doth hereby make the following Regulation, that is to say:—

The eighteenth day of February, 1946, shall, in the metropolitan district and Geelong district, as defined in the Factories and Shops Acts, be fixed as a holiday for persons employed in the business of a hairdresser or barber, or other workers of hair, or employed at—

- (a) hair or scalp treatment;
- (b) toilet work.

8. On the recommendation of a Wages Board, described as the Shops Board No. 8 (Dairy Produce and Cooked Meat), doth hereby make the following Regulation, that is to say:—

The eighteenth day of February, 1946, shall, in the metropolitan district, as defined in the Factories and Shops Acts, be fixed as a holiday for persons employed in dairy produce or cooked meat (other than tinned meat) shops.

9. On the recommendation of a Wages Board, described as the Pastrycooks' Board, doth hereby make the following Regulation, that is to say:—

The eighteenth day of February, 1946, shall, in the metropolitan district and Geelong district, as defined in the Factories and Shops Acts, be fixed as a holiday for every person employed in the process, trade, or business of a pastrycook.

10. On the recommendation of a Wages Board, described as the Biscuit Board, doth hereby make the following Regulation, that is to say:—

The eighteenth day of February, 1946, shall, in the metropolitan district and Geelong district, as defined in the Factories and Shops Acts, be fixed as a holiday for persons employed making biscuits.

11. On the recommendation of a Wages Board, described as the Shops Board No. 3 (Butchers), doth hereby make the following Regulation, that is to say:—

The sixteenth day of January, 1946, shall, in the metropolitan district, as defined in the Factories and Shops Acts, be fixed as a holiday for persons employed—

- (a) in the process, trade, or business of a butcher or seller of fresh uncooked meat, or maker or seller of small goods;
- (b) delivering fresh uncooked meat or small goods.

12. On the recommendation of a Wages Board, described as the Ice Board, doth hereby make the following Regulation, that is to say:—

The sixteenth day of January, 1946, shall, in the metropolitan district, as defined in the Factories and Shops Acts, be fixed as a holiday for persons employed in the business of a maker of ice for trade or sale (other than persons employed solely in issuing ice for distribution).

13. On the recommendation of a Wages Board, described as the Ice Cream Board, doth hereby make the following Regulation, that is to say:—

The sixteenth day of January, 1946, shall, in the metropolitan district, as defined in the Factories and Shops Acts, be fixed as a holiday for persons employed in the trade of making edible ices, ice cream, or any frozen article of which ice cream is the principal ingredient.

14. On the recommendation of a Wages Board, described as the Frozen Goods Board, doth hereby make the following Regulation, that is to say:—

The sixteenth day of January, 1946, shall, in the metropolitan district, as defined in the Factories and Shops Acts, be fixed as a holiday for persons employed in the trade of freezing, refrigerating, packing, or grading goods of any kind (other than ice cream) for the purpose of trade or sale, in a frozen or refrigerated condition, but not including—

- (a) persons subject to the Determination of the Ice Board;
- (b) any person or persons engaged in the slaughtering and boning departments of meat works or abattoirs in the preparation and packing of meats, offals, and by-products in a fresh condition.

15. On the recommendation of a Wages Board, described as the Meat Preservers' Board, doth hereby make the following Regulation, that is to say:—

The sixteenth day of January, 1946, shall, in the metropolitan district, as defined in the Factories and Shops Acts, be fixed as a holiday for every person—

- (a) employed in the process, trade, or business of—
 - (i) preserving meat,
 - (ii) preparing food products from animal fat or from edible oils,
 - (iii) putting up preserved meat or food products prepared from animal fat or from edible oils;
- (b) employed as a storeman, packer, or sorter, in connexion with the trade or business of—
 - (i) preserving meat,
 - (ii) preparing food products from animal fat or from edible oils.

16. On the recommendation of a Wages Board, described as the Animal Manure Board, doth hereby make the following Regulation, that is to say:—

The sixteenth day of January, 1946, shall, within the whole of the State of Victoria, be fixed as a holiday for persons employed in the process, trade, or business of the manufacture of manure from animal matter.

17. On the recommendation of a Wages Board, described as the Slaughtering for Export Board, doth hereby make the following Regulation, that is to say:—

The sixteenth day of January, 1946, shall, within the whole of the State of Victoria, be fixed as a holiday for persons employed in the meat export trade as—

- (a) slaughterers or dressers of sheep, lambs, cattle, pigs, or calves;
- (b) boners, trimmers, or labourers;
- (c) drovers, stockmen, or penners-up;
- (d) skin store workers.

18. On the recommendation of a Wages Board, described as the Sausage Casings Board, doth hereby make the following Regulation, that is to say:—

The sixteenth day of January, 1946, shall, within the whole of the State of Victoria, be fixed as a holiday for persons employed in the process, trade, or business of preparing or cleaning casings for sausages or similar products.

19. On the recommendation of a Wages Board, described as the Market Gardeners' Board, doth hereby make the following Regulation, that is to say:—

The twenty-seventh day of February, 1946, shall, throughout such portions of the State of Victoria, as are within a radius of 40 miles from the Post Office, at the corner of Bourke-street and Elizabeth-street, in the City of Melbourne, be fixed as a holiday for persons engaged in the trade of market gardening (that is to say, the growing of vegetables for sale).

20. On the recommendation of a Wages Board, described as the Shops Board No. 15 (Grocers), doth hereby make the following Regulation, that is to say:—

The eleventh day of February, 1946, shall, in the metropolitan district and Geelong district, as defined in the Factories and Shops Acts, and within the City of Ballarat and the Borough of Sebastopol, be fixed as a holiday for persons employed in grocers' shops and in shops in which tea is sold.

21. On the recommendation of a Wages Board described as the Carriage Board, doth hereby make the following Regulation, that is to say:—

The twenty-third day of February, 1946, shall, in the metropolitan district, as defined in the Factories and Shops Acts, be fixed as a holiday for persons employed in the process, trade, or business connected with or incidental to the manufacturing, making, or repairing of—

- (a) carriages, carts, and other vehicles (other than perambulators), or any part or parts thereof, such as the ironwork or bodies, hoods, cushions, springs, axles, wheels, tires, rims, hubs, or spokes;
- (b) motor car bodies, or any part or parts thereof, such as the hoods or cushions;
- (c) tram cars, or any part or parts thereof, such as the ironwork or bodies, cushions, springs, axles, wheels, tires, rims, hubs, or spokes;
- (d) motor cycle side-car bodies, or any part or parts thereof, such as the hoods or cushions;
- (e) aircraft.

22. On the recommendation of a Wages Board, described as the Cycle Trade Board, doth hereby make the following Regulation, that is to say:—

The thirteenth day of February, 1946, shall, in the Geelong district, as defined in the Factories and Shops Acts, be fixed as a holiday for persons employed in any process, trade, or business connected with or incidental to—

- (a) the making or repairing of bicycles, tricycles, or motor cycles; or
- (b) the making or repairing of any part or parts (other than tires or engines) of a bicycle, tricycle, or motor cycle.

And the Honorable Percy James Clarey, His Majesty's Minister of Labour for the State of Victoria, shall give the necessary directions herein accordingly.

C. W. KINSMAN,
Clerk of the Executive Council.

COUNTRY ROADS BOARD.

At the Executive Council Chamber, Melbourne, the eighteenth day of December, 1945.

PRESENT:

His Excellency the Governor of Victoria.	
Mr. Cain	Mr. Hayes
Mr. Galvin	Mr. Fraser
Mr. Kennelly	Mr. Coleman.

ORDER APPROVING OF A NEW STATE HIGHWAY IN THE SHIRE OF WIMMERA.

WHEREAS the Country Roads Board constituted under the *Country Roads Act 1928* (No. 3662) has represented to His Excellency the Governor in Council that it appears to it desirable that the new Western Highway in the Shire of Wimmera should be made by the said Board: And whereas the said Board in accordance with the requirements of section 19 of the said cited Act has caused to be prepared a map plan and estimate showing the points between which and on and through what land the said new highway is proposed to be made and the cost of acquiring the land and constructing the said new highway: And whereas on an inspection of the said map and plan and a consideration of the said estimate His Excellency the Governor in Council is satisfied that there are funds legally available for acquiring the land and constructing the said new highway: Now therefore be it known by this present Order that His Excellency the Governor of the State of Victoria with the advice of the Executive Council thereof doth hereby approve of the said road being made, that is to say:—

All those pieces of land in the Parish of Vectis East, the boundaries of which are as follows:—

- (a) Commencing at a point in allotment 48 of the said parish, distant 270 deg. 1 min. 53 9/10 links and 158 deg. 2½ min. 1,824.5 links from the north-eastern angle of the said allotment; thence by lines bearing respectively 158 deg. 2½ min. 743 links, 180 deg. 55½ min. 414 links, and 348 deg. 17 min. 1,123.4 links to the point of commencement;
- (b) commencing at a point in allotment 50 of the said parish, distant 158 deg. 2 min. 772.2 links from the intersection of the western boundary of the existing highway with the northern boundary of the said allotment; thence by lines bearing respectively 129 deg. 9 min. 414 links, 158 deg. 2 min. 826 links, and 328 deg. 29 min. 1,205.2 links to the point of commencement—

which said pieces of land are particularly delineated and shown coloured red on survey plan numbered 4718, lodged in the office of the Country Roads Board.

And the Honorable Patrick John Kennelly, His Majesty's Commissioner of Public Works for the State of Victoria, shall give the necessary directions herein accordingly.

C. W. KINSMAN,
Clerk of the Executive Council.

MARKETING OF PRIMARY PRODUCTS ACT 1935 (No. 4337).

At the Executive Council Chamber, Melbourne, the eighteenth day of December, 1945.

PRESENT:

His Excellency the Governor of Victoria.	
Mr. Cain	Mr. Hayes
Mr. Galvin	Mr. Fraser
Mr. Kennelly	Mr. Coleman.

EGG AND EGG PULP MARKETING BOARD REGULATIONS—AMENDED.

IN pursuance of the powers conferred by the *Marketing of Primary Products Act 1935*, His Excellency the Governor of the State of Victoria, by and with the advice of the Executive Council thereof, and on the recommendation of the Egg and Egg Pulp Marketing Board, doth hereby amend the Egg and Egg Pulp Marketing Board Regulations 1941 made under the said Act on the 13th May, 1941, as follows (that is to say):—

In Regulation 6, delete the words "ordinary or" appearing in the second line.

And the Honorable William George McKenzie, His Majesty's Minister of Agriculture for the State of Victoria, shall give the necessary directions herein accordingly.

C. W. KINSMAN,
Clerk of the Executive Council.

Water Acts.

MORWELL WATERWORKS TRUST.

At the Executive Council Chamber, Melbourne, the eighteenth day of December, 1945.

PRESENT:

His Excellency the Governor of Victoria.	
Mr. Cain	Mr. Hayes
Mr. Galvin	Mr. Fraser
Mr. Kennelly	Mr. Coleman.

EXTENT OF DISTRICT INCREASED.

UNDER the powers conferred by the Water Acts and all other powers enabling him in that behalf, His Excellency the Governor of the State of Victoria, by and with the advice of the Executive Council of the said State, doth hereby declare, order, and direct as follows:—

That the extent of the Waterworks District of the Morwell Waterworks Trust be increased by adding to the same the lands set out and described in the Schedule hereto, and as on and from the 1st day of January, 1946, the extent of such district shall be deemed to be increased accordingly.

SCHEDULE.

Portion 1.

Commencing at the north-eastern angle of Crown allotment D2, Parish of Hazelwood, County of Buln Buln; thence southerly along the eastern boundary of the said Crown allotment D2 and by a line being a continuation thereof across Crown land to a point on the right bank of Billy's Creek; thence generally westerly along the said right bank of Billy's Creek to a point on the western boundary of Crown allotment 7, section B, Parish of Hazelwood; thence northerly along the said western boundary of Crown allotment 7 to its most northerly angle and by a line across a road to the south-western angle of Crown allotment 6B, section B, and along the western boundaries of the said Crown allotment 6B and of Crown allotments 6A and 3, section B, to the north-western angle of the said Crown allotment 3, and by a line across a road to the most south-westerly angle of Crown allotment 2, section B; thence north-easterly, westerly, and northerly along the south-western and western boundaries of the said Crown allotment 2 to its most north-westerly angle; thence northerly by a line across a road to the most westerly angle of Crown allotment 1, section B; thence north-easterly along the north-western boundary of the said Crown allotment 1 to its north-western angle and by a line across a road to the most westerly angle of Crown allotment F19; thence easterly along the southern boundary of the said Crown allotment F19 to its south-eastern angle and along the northern boundary of Crown allotment F2 to a point on a line parallel to the western boundary of the said Crown allotment F2 and distant 800 links easterly therefrom; thence southerly by the said line parallel to the western boundary of Crown allotment F2 and distant 800 links easterly therefrom to its intersection with a line parallel to the northern boundary of Crown allotment F2 and distant 2,200 links southerly therefrom; thence easterly by the said line parallel to the northern boundary of Crown allotment F2 and distant 2,200 links southerly therefrom to its intersection with a line parallel to the western boundary of Crown allotment F4 and distant 2,304 links easterly therefrom; thence northerly by the said line parallel to the western boundary of Crown allotment F4 and distant 2,304 links easterly therefrom to a point on the southern boundary of Crown allotment F21; thence easterly and northerly along the southern and eastern boundaries of the said Crown allotment F21 to its north-eastern angle; thence easterly along the southern boundary of a road to a point on a line parallel to and distant 1,600 links easterly from the western boundary of Crown allotment F1; thence southerly by the said line parallel to and distant 1,600 links easterly from the western boundary of Crown allotment F1 across the said Crown allotment F1 and across a road to a point on the northern boundary of Crown allotment 28, section B; thence easterly along the northern boundaries of the said Crown allotment 28 and of Crown allotment 29, section B, and of Crown allotment D2 to the point of commencement.

Portion 2.

Commencing at the north-eastern angle of lot 8, section VII., on lodged plan of subdivision numbered 1064, Parish of Maryvale, County of Buln Buln, being a point on the north-western boundary of the existing Waterworks District; thence westerly along the northern boundaries of sections VII., VIII., and IXB, being portion of the north-western boundary of the existing Waterworks District to the north-western angle of the said section IXB; thence northerly by a line parallel to the western boundary of Crown allotment 45 through the said Crown allotment 45 to a point in line with the southern

boundary of Crown allotment 70; thence easterly by a line being the westerly continuation of the said southern boundary of Crown allotment 70 to its intersection with the eastern boundary of Crown allotment 45 being a point on the north-western boundary of the existing Waterworks District; thence southerly along the said north-western boundary of the existing Waterworks District to the point of commencement.

Portion 3.

Commencing at the north-eastern angle of lot 12 on lodged plan of subdivision numbered 2844, Parish of Maryvale, County of Buln Buln, being a point on the eastern boundary of the existing Waterworks District; thence by a line bearing south 80 deg. 11 min. east for a distance of 1,860 links; thence by a line bearing south 9 deg. 49 min. west for a distance of approximately 1,078 links to a point on the eastern boundary of the existing Waterworks District; thence westerly and northerly along the said eastern boundary of the existing Waterworks District to the point of commencement.

Portion 4.

Commencing at the intersection of the southern boundary of Aherin-street on lodged plan of subdivision numbered 11683, Parish of Maryvale, County of Buln Buln, with the south-eastern boundary of the Mirboo and Morwell railway reserve, being a point on the south-western boundary of the existing Waterworks District; thence westerly by a line being the westerly continuation of the said southern boundary of Aherin-street across the Mirboo and Morwell railway reserve and across Crown allotment 11E to a point on the western boundary of the said Crown allotment 11E, being a point on the eastern boundary of a road; thence northerly along the said eastern boundary of the road to a point on the south-western boundary of the existing Waterworks District; thence south-easterly along the said south-western boundary of the existing Waterworks District to the point of commencement.

And the lands set out and described in the foregoing Schedule are shown on plans marked "A" and "B" approved by the Governor in Council and deposited in the office of the State Rivers and Water Supply Commission, Melbourne.

And the Honorable Leslie William Galvin, His Majesty's Minister of Water Supply for the State of Victoria, shall give the necessary directions herein accordingly.

C. W. KINSMAN,
Clerk of the Executive Council.

HAIRDRESSERS REGISTRATION ACTS.

At the Executive Council Chamber, Melbourne, the eighteenth day of December, 1945.

PRESENT:

His Excellency the Governor of Victoria.	
Mr. Cain	Mr. Hayes
Mr. Galvin	Mr. Fraser
Mr. Kennelly	Mr. Coleman.

APPOINTMENT OF HAIRDRESSERS' REGISTRATION BOARD OF VICTORIA.

UNDER the powers conferred by section 5 of the *Hairdressers Registration Act 1936*, as amended by the *Hairdressers Registration Act 1939*, His Excellency the Governor of the State of Victoria, by and with the advice of the Executive Council of the said State, doth hereby appoint for three years commencing on the 4th December, 1945, the following persons as members of the Hairdressers' Registration Board of Victoria, that is to say:—

DENIS LOVEGROVE, under section 5 (2) (a).
OLIVER EMANUEL NILSSON, under section 5 (2) (b).
HUBERT ALLAN LAYFIELD, under section 5 (3) (a).
JAMES HAY KENNEDY, under section 5 (3) (a).
Miss LYDIA ANN BRENNAN, under section 5 (3) (b).
Miss EDITH MARGARET BELL, under section 5 (3) (c).
DONALD ROBERT DUNCAN, under section 5 (3) (d).
WILLIAM NANKERVIS, under section 5 (3) (d).

And the said Denis Lovegrove is hereby appointed Chairman, under section 5 (2) (a).

And the Honorable William Peter Barry, His Majesty's Minister of Health for the State of Victoria, shall give the necessary directions herein accordingly.

C. W. KINSMAN,
Clerk of the Executive Council.

SUPERANNUATION ACT 1928 (No. 3782).

At the Executive Council Chamber, Melbourne, the eighteenth day of December, 1945.

PRESENT:

His Excellency the Governor of Victoria.

Mr. Cain	Mr. Hayes
Mr. Galvin	Mr. Fraser
Mr. Kennelly	Mr. Coleman.

STATE SUPERANNUATION BOARD—RE-APPOINTMENT OF MEMBERS.

IN accordance with the provisions of the *Superannuation Act 1928* (No. 3782), His Excellency the Governor of the State of Victoria, by and with the advice of the Executive Council thereof, doth by this Order hereby re-appoint the under-named persons members of the State Superannuation Board for a further term of five years from and inclusive of the 24th December, 1945:—

LEWIS GRANT WILSON.

OSWALD GAWLER, F.I.A. (Actuary).

HERBERT EDWARD JESSON (elected by officers in the Railways service).

NORMAN GORDON McNICOL (elected by officers other than officers in the Railways service).

The said Lewis Grant Wilson to be re-appointed Chairman of the said Board, and each of the said members to be paid remuneration at the rate of One hundred pounds (£100) per annum.

And the Honorable John Cain, His Majesty's Treasurer for the State of Victoria, shall give the necessary directions herein accordingly.

C. W. KINSMAN,
Clerk of the Executive Council.

MOTOR OMNIBUS ACT 1928 (No. 3742).

At the Executive Council Chamber, Melbourne, the eighteenth day of December, 1945.

PRESENT:

His Excellency the Governor of Victoria.

Mr. Cain	Mr. Hayes
Mr. Galvin	Mr. Fraser
Mr. Kennelly	Mr. Coleman.

PRESCRIPTION OF METROPOLITAN MOTOR OMNIBUS ROUTE No. 111A (MONT ALBERT—HEIDELBERG).

HIS Excellency the Governor of the State of Victoria, by and with the advice of the Executive Council thereof, and in pursuance of the powers conferred by the *Motor Omnibus Act 1928* (No. 3742), doth by this Order prescribe, as set out hereunder, a certain route, viz., No. 111A, within the metropolitan area, along which motor omnibuses for which "regular service" licences are granted may ply for hire, viz.:—

DESCRIPTION OF ROUTE, INCLUDING COMMENCING AND TERMINAL POINTS.

Commencing in High-street, Mont Albert, adjacent to Mont Albert Railway Station; thence via High-street, Whitehorse, Union, Belmore, Greythorn, Doncaster, Hill, and River View-roads, Fortuna-avenue, The Nook, Bulleen-road, to Doncaster-road, and return; thence via Bulleen-road, Banksia, Dora, Jika, and Burgundy-streets, to a point in Burgundy-street adjacent to Heidelberg Railway Station.

Sections on Route.—

- (1) Between Mont Albert Railway Station and corner of Union and Belmore roads.
- (2) Between corner of Union and Belmore roads and corner of Greythorn and Doncaster roads.
- (3) Between corner of Greythorn and Doncaster roads and corner of Bulleen and Doncaster roads.
- (4) Between corner of Bulleen and Doncaster roads and corner of Bulleen-road and Banksia-street.
- (5) Between corner of Bulleen-road and Banksia-street and Heidelberg Railway Station.

Fares to be Charged.—Any one section, 3d.; each additional section, 3d.; through fare, 1s. 3d.

Time Tables to be Observed.—Minimum service, 60 minutes, 7 a.m. to 7 p.m., week days, and 1 p.m. to 8 p.m. Sundays. A more frequent service, as required, may be operated between Mont Albert Railway Station and "Wild Life" Sanctuary on Saturdays, Sundays, and Public Holidays, from 1 p.m. to 5 p.m.

Maximum Number of Motor Omnibuses which may be Licensed on Route.—Two.

Developmental Route.—His Excellency, in pursuance of the powers conferred by section 5 of the said Act (No. 3742), doth by this Order prescribe Route No. 111A as a Developmental Route.

Licensing Authority.—Pursuant to the provisions of section 15 (1) (c) of the said Act (No. 3742), the Governor in Council by this Order confers upon the Licensing Authority full power and authority for the carrying into effect by the said Licensing Authority of the foregoing provisions of this Order.

And the Honorable Patrick John Kennelly, His Majesty's Commissioner of Public Works for the State of Victoria, shall give the necessary directions herein accordingly.

C. W. KINSMAN,
Clerk of the Executive Council.

MOTOR OMNIBUS ACT 1928 (No. 3742).

At the Executive Council Chamber, Melbourne, the eighteenth day of December, 1945.

PRESENT:

His Excellency the Governor of Victoria.

Mr. Cain	Mr. Hayes
Mr. Galvin	Mr. Fraser
Mr. Kennelly	Mr. Coleman.

EXTENSION TO CLIFTON HILL OF THE POINT ORMOND—COLLINGWOOD MOTOR OMNIBUS ROUTE.

HIS Excellency the Governor of the State of Victoria, by and with the advice of the Executive Council thereof, and in pursuance of the powers conferred by the *Motor Omnibus Act 1928* (No. 3742), doth by this Order extend to Clifton Hill, as set out hereunder, a certain route, viz., that operating between Point Ormond and Collingwood, within the metropolitan area, along which route motor omnibuses of the Melbourne and Metropolitan Tramways Board are used, with the consent of the Governor in Council, to ply for hire, viz.:—

Route.—Under the heading "Description of Route, including Commencing and Terminal Points", delete "Johnston-street and Hoddle-street, Collingwood, via" and in place thereof insert "Queen's-parade and Kilgour-crescent, Clifton Hill, via Kilgour-crescent."

After "Elwood", insert "On the return journey to the terminus at Clifton Hill, the route from Hoddle-street to be via Heidelberg-road and Queen's-parade."

Sections.—Under the heading "Sections on Route", amend "(1)" to read "2", "(2)" to read "(3)", "(3)" to read "(4)", "(4)" to read "(5)", and "(5)" to read "(6)", and then insert "(1) Between Queen's-parade and Johnston-street."

Fares.—Under the heading "Fares to be charged", amend "6d." to read "7d."

INCREASE OF SERVICE TO HEIDELBERG MILITARY HOSPITAL ON METROPOLITAN MOTOR OMNIBUS ROUTE No. 19 (COLLINGWOOD—HEIDELBERG).

HIS Excellency the Governor of the State of Victoria, by and with the advice of the Executive Council thereof, and in pursuance of the powers conferred by the *Motor Omnibus Act 1928* (No. 3742), doth by this Order amend, as set out hereunder, the prescription of a certain route, viz., No. 19, within the metropolitan area, along which motor omnibuses for which "regular service" licences are granted may ply for hire, viz.:—

Route.—Under the Heading "Description of Route, including Commencing and Terminal Points", delete "on Sunday afternoons only."

Time Tables.—Under the heading "Time Tables to be Observed", delete "Extension to Heidelberg Military Hospital to be operated on Sunday afternoons only, from 1.15 p.m. to 4.30 p.m."

Omnibuses.—Under the heading "Maximum Number of Motor Omnibuses which may be licensed on Route", amend "4" to read "5".

Licensing Authority.—Pursant to the provisions of section 15 (1) (c) of the *Motor Omnibus Act 1928* (No. 3742), the Governor in Council by this Order confers upon the Licensing Authority full power and authority for the carrying into effect by the said Licensing Authority of the foregoing provisions of this Order.

And the Honorable Patrick John Kennelly, His Majesty's Commissioner of Public Works for the State of Victoria, shall give the necessary directions herein accordingly.

C. W. KINSMAN,
Clerk of the Executive Council.

PATRIOTIC FUNDS ACTS.

At the Executive Council Chamber, Melbourne, the eighteenth day of December, 1945.

PRESENT:

His Excellency the Governor of Victoria.

Mr. Cain	Mr. Hayes
Mr. Galvin	Mr. Fraser
Mr. Kennelly	Mr. Coleman.

RE-APPOINTMENT OF MEMBERS OF THE PATRIOTIC FUNDS COUNCIL OF VICTORIA FOR A FURTHER PERIOD.

WHEREAS in pursuance of the provisions of section 3 of the *Patriotic Funds Act 1939* (No. 4717), His Excellency the Governor of the State of Victoria, by and with the advice of the Executive Council thereof, did on the twentieth day of December, 1943, re-appoint certain persons to be members of the Patriotic Funds Council of Victoria, constituted under the said Act, for a period of two years as from the twenty-second day of December, 1943: And whereas it is provided that upon the expiration of the term for which any person is appointed to be a member of the said Council such person shall be eligible for re-appointment: Now therefore His Excellency the Governor of the State of Victoria, by and with the advice of the Executive Council thereof, doth by this Order—

(1) Re-appoint the under-mentioned persons to be members of the said Council for a period of one year, as from the twenty-second day of December, 1945:—

The Honorable PATRICK LESLIE COLEMAN, M.L.C.
The Honorable Sir WILLIAM ANGLISS, M.L.C.
OSWALD GAWLER, Esquire, F.I.A.
GEORGE WILLIAM FREDERICK HOLLAND, Esquire, C.B.E., M.M.
WILLIAM JOHN JUNGWIRTH, Esquire, A.I.C.A., J.P.
CECIL LEVENTHORPE McVILLY, Esquire, M.C.
The Honorable ARCHIE MICHAELIS, M.L.A.
ROY WARWICK NEVILLE, Esquire.
EDWARD CHARLES RIGBY, Esquire, C.B.E.
ERIC RUSSELL, Esquire.
ROBERT FITZROY SANDERSON, Esquire, C.B.E.
EDWIN LIONEL WILSON, Esquire, F.F.I.A.
LEWIS GRANT WILSON, Esquire.

(2) Appoint the under-mentioned persons to be members of the said Council for a period of one year as from the twenty-second day of December, 1945:—

Miss JEAN DALEY;
The Right Honorable the Lord Mayor of Melbourne for the time being; and
The Chairman of the Australian Red Cross Society (Victorian Division) for the time being.

(3) Appoint the Honorable Patrick Leslie Coleman, M.L.C., to be Chairman of the said Council, and Edward Charles Rigby, Esquire, to be Vice-Chairman of the said Council.

And the Honorable John Cain, His Majesty's Premier for the State of Victoria, shall give the necessary directions herein accordingly.

C. W. KINSMAN,
Clerk of the Executive Council.

GEELONG WATERWORKS AND SEWERAGE TRUST.

At the Executive Council Chamber, Melbourne, the eighteenth day of December, 1945.

PRESENT:

His Excellency the Governor of Victoria.	
Mr. Cain	Mr. Hayes
Mr. Galvin	Mr. Fraser
Mr. Kennelly	Mr. Coleman.

POWER TO BORROW £46,900 FOR REDEMPTION OF LOAN DUE 1st JANUARY, 1946.

UNDER the powers conferred by the Geelong Waterworks and Sewerage Acts and all other powers enabling him in that behalf, His Excellency the Governor of the State of Victoria, by and with the advice of the Executive Council of the said State, doth hereby consent to the Geelong Waterworks and Sewerage Trust borrowing at interest, subject to the Geelong Waterworks and Sewerage Acts, the sum of Forty-six thousand nine hundred pounds (£46,900) for the conversion of loan of an equal amount falling due on the 1st January, 1946.

And the Honorable Leslie William Galvin, His Majesty's Minister of Water Supply for the State of Victoria, shall give the necessary directions herein accordingly.

C. W. KINSMAN,
Clerk of the Executive Council.

APPROACHING LAND SALES.

SALES of Crown lands, in fee-simple, will be held at the under-mentioned places and dates, viz.:—

	No. of Gazette.
Geelong.—Thursday, 31st January, 1946	170
Shepparton, Thursday, 20th December, 1945	153, 156

Lands and Survey Office, Melbourne.

SALE BY AUCTION.

GEELONG.—Sale (No. 10580) of Crown Lands in fee-simple will be held at the AUCTION ROOMS of W. M. REID PTY. LTD., Malop-street, GEELONG, on THURSDAY, the 31st day of JANUARY, 1946, at ELEVEN o'clock a.m. To be conducted by A. L. REAH, Land Officer. Auctioneers: W. M. REID PTY. LTD.

The lands will be sold in fee-simple, and subject to the covenants, conditions, exceptions, and reservations, directed by the Governor in Council by an Order in Council dated the 6th August, 1930, and published in the *Government Gazette* of the 8th August, 1930, varied as herein.

A deposit of at least twelve and a half per centum of the price at which each lot is sold must be paid by the purchaser at the time of sale, and all such payments shall be made in bank notes or cheques approved by the officer conducting the sale, and the residue of such price will be payable in equal instalments, in accordance with the scale hereunder, on the last day of each successive period of six months from the time of sale, or, if the purchaser choose, at any earlier time or times; such residue of the price shall bear interest at the rate of £5 per centum per annum, to be computed between the time of sale and the time when payment of such residue is made. If the residue of the price be paid within thirty days after the time of the sale no interest will be payable thereon.

The transfer of the interest of any purchaser of an allotment sold by public auction may be effected prior to the final payment of the purchase money being made. The fee for transfer shall be One pound, and such transfer will be subject to payment of stamp duty.

SCALE OF PAYMENTS OF RESIDUE.

£20 and under, 6 instalments.
Over £20, and not exceeding £50, 8 instalments.
Over £50, and not exceeding £100, 10 instalments.
Over £100, and not exceeding £200, 12 instalments.
Over £200, and not exceeding £300, 14 instalments.
Over £300, and not exceeding £400, 16 instalments.
Over £400, and not exceeding £500, 18 instalments.
Over £500, 20 instalments.

FEEs, ETC.

The fees payable for Crown grant and assurance (One halfpenny for each pound of purchase price) must be paid with the balance of purchase money. The following is the scale:—

50 acres and under, £1 10s.
Over 50 acres, £2.

Where the purchase money does not exceed £5, the grant fee is £1.

Land Act 1928.

LEASES SURRENDERED.

NOTICE is hereby given that the Governor in Council has accepted the surrender of the Leases mentioned in the Schedule hereunder for the reason specified in each case.

District.	Corr. No.	Name.	Section of Land Act under which Leased.	Parish.	Allotment.	Area.	Class.	Reason.
Sale	4788A/59-61	The President, Councillors, and Rate-payers of the Shire of Bairnsdale	59-61/1901	Narrang	Part 7, section A	A. R. P. 2 0 31	..	Being the land comprised in Leasehold Certificate of Title, Vol. 945, Fol. 188978
Sale	4788A/59-61	The President, Councillors, and Rate-payers of the Shire of Bairnsdale	59-61/1901	Narrang	Part 7, section A	Being the land comprised in Leasehold Certificate of Title, Vol. 1181, Fol. 236106
Omeo	109/44-81	Sheehan, C. F.	44/1928	Guttamura	15, section 3	163 2 3	3rd	New lease to issue

Department of Lands and Survey,
Melbourne, 11th December, 1945.

L. W. GALVIN,
Commissioner of Crown Lands and Survey.

TENDERS.

TENDERS will be received at this office until **TEN A.M.** on the days and for the purposes under mentioned.

Particulars may be learnt at this office, and also at the offices named in each instance.

The Board of Land and Works will not necessarily accept the lowest or any tender.

NOTE.—Plans and specifications will not be shown at school buildings from the 20th December, 1945, to the 5th February, 1946.

NOTICE TO CONTRACTORS.

AS FROM THE 8th JANUARY, 1946, INCLUSIVE, PUBLIC TENDERS WILL CLOSE AT 10 A.M. EACH TUESDAY, IN LIEU OF THURSDAY.

27th December, 1945.

Avoca.—Supply and installation of electric hot water service, Police Station. Particulars at Inspector of Works Offices, Ballarat, Maryborough; Police Station, Avoca. Deposit, £2.
Camperdown.—Removal of Army hut from Geelong and re-erection at High School. Particulars at Inspector of Works Offices, Geelong, Warrnambool; Police Stations, Camperdown, Colac. Preliminary deposit, £10. Final deposit, 2 per cent.
Coburg North.—Painting, repairs, Infant School, State School No. 4543. Particulars at State School, Coburg North. Deposit, £4.

Drouin.—Supply and installation of electric hot water service, Police Station. Particulars at Police Station, Drouin. Deposit, £2.

Garvoc.—Repairs, &c., painting to Teacher's Residence and repairs, &c., to School, State School No. 996. Particulars at Inspector of Works Office, Warrnambool; Police Stations, Camperdown, Port Fairy. Deposit, £2.

Gowanford.—Removal of State School No. 4553, Swan Hill West, and re-erection at State School No. 4026, repairs and painting. Particulars at Inspector of Works Office, Swan Hill; Police Stations, Kerang, Quambatook, Wedderburn. Preliminary deposit, £3. Final deposit, 2 per cent.

Healesville.—Additions, alterations, &c., Police Station. Particulars at Police Stations, Healesville, Warburton, Lilydale. Preliminary deposit, £2. Final deposit, 2 per cent.

Korumburra.—General repairs and painting, Police Station. Particulars at Inspector of Works Office, Korumburra; Police Station, Leongatha. Preliminary deposit, £4. Final deposit, 2 per cent.

Melbourne.—New partitions, State Rivers and Water Supply Commission, Fine Arts Building, Centenary Hall, Exhibition-street. Deposit, £5.

Moe.—Supply and installation of electric hot water service, Police Station. Particulars at Inspector of Works Office, Bairnsdale; Police Station, Moe. Deposit, £2.

Tambo Upper.—Repairs, painting, Residence, State School No. 2216. Particulars at Inspector of Works Office, Bairnsdale; Police Stations, Orbost, Sale; State School, Tambo Upper. Deposit, £2.

Wangaratta.—Erection of timber residence for Inspector of Works, Public Works Department. Particulars at Inspector of Works Offices, Benalla, Wangaratta. Preliminary deposit, £15. Final deposit, 2 per cent.

3rd January, 1946.

Sunshine.—Electrical installation, Technical School. Particulars at Sydney R. Bell and Associates, 374 Little Collins-street, Melbourne. Preliminary deposit, £15. Final deposit, 2 per cent.

8th January, 1946.

Bendigo.—Erection of timber residence, Hargreaves-street, for Inspector of Works, Public Works Department. Particulars at Inspector of Works Office, Bendigo; Police Stations, Castlemaine, Inglewood. Preliminary deposit, £15. Final deposit, 2 per cent.

Branxholme.—Alterations, repairs, and painting, Police Station. Particulars at Inspector of Works Office, Stawell; Police Stations, Ararat, Branxholme, Hamilton. Deposit, £4.

Buffalo River South.—Repairs and painting, State School No. 3454. Particulars at Inspector of Works Office, Wangaratta; Police Stations, Bright, Myrtleford. Preliminary deposit, £2. Final deposit, 2 per cent.

Cardinia.—Additions and alterations, State School No. 3689. Particulars at Police Station, Dandenong. Preliminary deposit, £10. Final deposit, 2 per cent.

Caulfield.—Sewerage, water, and gas installations, Technical School. Preliminary deposit, £15. Final deposit, 2 per cent.

Coburg.—Repairs and painting, Shelter and Fuel Shed, State School No. 484. Deposit, £3.

Collingwood.—Repairs and painting, State School No. 1895. Preliminary deposit, £15. Final deposit, 2 per cent.

Fairfield.—Installation of electric light and power, Boiler House, Infectious Diseases Hospital. Preliminary deposit, £5. Final deposit, 2 per cent.

Heywood.—Repairs and renovations, Police Station. Particulars at Inspector of Works Office, Warrnambool; Police Stations, Hamilton, Heywood, Portland. Preliminary deposit, £5. Final deposit, 2 per cent.

Kensington.—Repairs and painting, State School No. 2374. Preliminary deposit, £10. Final deposit, 2 per cent.

Learmonth.—Erection of new office, garage, and additions to Residence, Police Station. Particulars at Inspector of Works Office, Ballarat; Police Station, Learmonth. Preliminary deposit, £5, final deposit, 2 per cent. (Amended specification.)

Melbourne.—Painting and repairs to offices, V.C.A. Building, 5th Floor, 1 Collins-place. Deposit, £2.

Preston South.—Repairs and painting, State School No. 824. Preliminary deposit, £10. Final deposit, 2 per cent.

Rochester.—Repairs, &c., Police Station. Particulars at Inspector of Works Office, Shepparton; Police Stations, Rochester, Echuca, Kyabram. Preliminary deposit, £5. Final deposit, 2 per cent.

Strathmore.—Repairing fire damage, State School No. 4612. Preliminary deposit, £10. Final deposit, 2 per cent.

Upper Maffra West.—Painting, repairs, State School No. 1940. Particulars at Inspector of Works Office, Bairnsdale; Police Stations, Maffra, Sale. Preliminary deposit, £2. Final deposit, 2 per cent.

Warrenbayne West.—Repairs and painting, School and Shelter Shed, State School No. 3661. Particulars at Inspector of Works Offices, Benalla, Wangaratta; Police Station, Violet Town. Preliminary deposit, £5. Final deposit, 2 per cent.

Woomelang.—Repairs and painting, State School No. 3487, Banyan Reserve, and State School No. 3249, Watchugga West, on removal and re-erection at State School No. 3373. Particulars at Inspector of Works Office, Maryborough; Police Stations, Birchip, Sea Lake. Preliminary deposit, £3. Final deposit, 2 per cent.

NOTICE TO CONTRACTORS.

AS FROM THE 8th JANUARY, 1946, INCLUSIVE, PUBLIC TENDERS WILL CLOSE AT 10 A.M. EACH TUESDAY, IN LIEU OF THURSDAY.

Tenders to be addressed to the Honorable the Commissioner of Public Works, and envelope containing tender marked "Tender for _____ due _____"

P. J. KENNELLY,
Commissioner of Public Works.

Melbourne, 18th December, 1945.

PRIVATE ADVERTISEMENTS.

NOTICE is hereby given that Commonwealth Barbed Wire and Nail Works Proprietary Limited has applied for a lease under section 125, *Land Act* 1928, for a term of nine years from 4th March, 1946, of allotment 16, section B, South Melbourne, as a site for a factory. 4811

NOTICE is hereby given that Kenneth Wright Pty. Ltd. has applied for a lease under section 125, *Land Act* 1928, for a term of 25 years from 1st March, 1946, of allotment 59K, City of South Melbourne, as a site for a motor body works. 4920

NOTICE OF INTENTION TO APPLY FOR A LICENCE TO DIVERT WATER AND CUT RACES FROM THE TYLDESLEY RIVER AT ALLOTMENT 22A TOSTAREE AND LAGOON FORMING PORTION OF BOUNDARY BETWEEN ALLOTMENT 22A AND 22B, PARISH OF TYLDESLEY EAST.

I HEREBY give notice that I intend to apply for a licence empowering me to divert water for a term of fifteen years to the extent of 20 acre-feet per annum, at a maximum rate of 1½ acre-feet per day of 24 hours for irrigation and domestic purposes.

Any objection to such application must be forwarded, in writing, to the State Rivers and Water Supply Commission, Melbourne, within thirty days of the date hereof.

P. C. G. ATHERSTONE.
Tyldesley River Farm, Tostaree, 11th December, 1945. 5009

I, NANCY LILIAN PHILP, of 4 Chamouni-street, Alphington, in the State of Victoria, technician, heretofore called and known by the name of Nancy Lillian du Bois, hereby give public notice that, by a deed poll dated the 13th day of December, 1945, duly executed and attested and deposited with the Registrar-General of the said State, on the 14th day of December, 1945, I formerly and absolutely renounced and abandoned the said surname of du Bois and declared that I had assumed and adopted and intended thenceforth upon all occasions whatsoever to use and subscribe the surname of Philp, instead of the surname of du Bois, and so as to be at all times thereafter known and described by the surname of Philp.

Dated this 14th day of December, 1945.

NANCY L. PHILP.

Witness.—M. KEOGH.

Francis S. Newell and Son, 360 Collins-street, Melbourne. 5025

CITY OF FITZROY.

BY-LAW No. 98.

A By-law of the City of Fitzroy, made under the Local Government Acts and Uniform Building Regulations Victoria, Numbered 98, for determining, applying, dispensing with, or regulating such matters or things as are left to be determined, applied, dispensed with, or regulated by the Council of the said city under the Uniform Building Regulations Victoria.

IN pursuance of the powers conferred by the Local Government Acts and the Uniform Building Regulations Victoria, and of any and every other power it thereunto enabling, the Mayor, Councillors, and Citizens of the City of Fitzroy order as follows:—

Minimum Area, Depth, and Width of Frontage.

1. The minimum area, depth, and width of frontage specified in column 1 of Table 803 of the Uniform Building Regulations of Victoria (hereinafter called the Regulations) are hereby adopted as the minimum area, depth, and width of frontage of land on which a building shall be constructed throughout the whole of the municipal district.

Distance from Street Alignment.

2. In respect of buildings of Class 1 or Class 2 occupancy, as defined by the Uniform Building Regulations.

- The minimum distance of the outer walls of any building from the street alignment of any land is hereby specified as 10 feet.
- No person shall construct any building closer to the street alignment of any land than 10 feet.

Sites below Minimum Requirements.

3. Notwithstanding anything contained in the Regulations, any person may—

- construct a building of Class I. occupancy on land having a lesser area, depth, or width of frontage or at a lesser distance from boundaries than those specified in column 1 of Table 803 of the Regulations.
- construct a building of Class III., V., VI., VII., or VIII. occupancy, or a building to which a building of Class IV. occupancy is attached on land having an area, depth, or width of frontage less than that prescribed in Clause 809 of the Regulations—

in any case where on the date of commencement of the Regulations such land existed as a separate allotment and has not since been reduced in area or is shown on any Plan of Sub-division approved by the Council and lodged in the Office of Titles.

Flat in Business Areas.

4. In the case of a building constructed in an area used primarily for business purposes, the requirements of Clause 803 of the Regulations, as adopted by Clause 1 of this By-law, are hereby dispensed with in the case of a building containing flats (Class II. occupancy), and the requirements of Clauses 803 (as adopted by Clause 1 of this By-law, and 807 of the Regulations) are hereby dispensed with where such flats have only one habitable room, provided that—

- the site of such building shall have an area of not less than 3,300 square feet, a width of frontage of not less than 33 feet, of a depth of not less than 80 feet, and
- the requirements of Part III. of Chapter II. of the Regulations shall be observed in the construction of such building.

Rear Access.

5. In the case of a building on any land forming part of a subdivision approved by the Council and lodged with the Office of Titles prior to the date of commencement of the Regulations, the requirements of Clause 811 of the Regulations are hereby dispensed with.

Restriction of Non Fire-resisting Construction.

6. (a) In the whole of the municipal district any building exceeding one storey in height shall be of Types 1, 2, 3, or 4 construction, as defined in the Regulations.

(b) No person shall in the municipal district erect any building otherwise than in accordance with the provisions of the said paragraph (a).

Resolution for passing this By-law agreed to by the Council the 24th day of September, 1945.

Confirmed the 22nd day of October, 1945.

Sealed with the common seal of the Mayor, Councillors, and Citizens of the City of Fitzroy, in the presence of—

J. E. KERR, Mayor.
(SEAL) CHAS. J. WILSON, Councillor.
G. H. HONEYCOMBE, Town Clerk.

Approved by the Governor in Council, the 11th day of December, 1945.—C. W. KINSMAN, Clerk of the Executive Council. 5017

CITY OF HEIDELBERG.

APPOINTMENT OF POUNDKEEPER.

NOTICE is hereby given that Mr. Leslie Reginald Lyle, Main-street, Greensborough, has been appointed Pound-keeper for the Greensborough Pound.

F. PHILLIPS, Town Clerk.

Town Hall, Ivanhoe,
14th December, 1945. 5019

Melbourne (Widening of Streets) Acts.

CITY OF MELBOURNE.

NOTICE TO OWNERS OF MAKING OF PROPOSED NEW ALIGNMENTS OF LITTLE FLINDERS-STREET.

PURSUANT to the provisions of section 4 of the *Melbourne (Widening of Streets) Act 1940*, as amended by the *Melbourne (Widening of Streets) Act 1943*, notice of the making of (a) a proposed new alignment of the boundary between the footway on the north side of Little Flinders-street between Spencer-street and Spring-street and the land abutting thereon, and (b) a proposed new alignment of the boundary between the footway on the south side of Little Flinders-street between Spencer-street and Spring-street and the land abutting thereon, is hereby given by the Lord Mayor, Councillors, and Citizens of the City of Melbourne to the owners of all land affected thereby.

A plan showing the proposed new alignments is open to inspection (without payment of any fee) by any person at all reasonable times at the Town Clerk's Office, Town Hall, Melbourne, and copies thereof may also be inspected (without payment of any fee) at the office of the Registrar of Titles and at the office of the Registrar-General.

The attention of owners of all land affected by the above-mentioned proposed new alignments is directed to section 5 of the *Melbourne (Widening of Streets) Act 1940*, which provides that after the publication of notice of the making of any proposed new alignment in the *Government Gazette* and in two daily newspapers generally circulating in the City of Melbourne, no person shall construct, build, place, reconstruct, rebuild, replace, or repair any building or work, or portion of a building or work, in or upon any land between the proposed new alignment and the old alignment:

Provided that with the consent of the Council, minor and not substantial repairs and improvements may be effected to any such building or work in order to permit of its reasonable preservation and temporary use.

Dated this seventeenth day of December, One thousand nine hundred and forty-five.

By direction of the Lord Mayor, Councillors, and Citizens of the City of Melbourne.

5002

H. S. WOOTTON, Town Clerk.

Melbourne (Widening of Streets) Acts.

CITY OF MELBOURNE.

NOTICE TO OWNERS OF MAKING OF PROPOSED NEW ALIGNMENTS OF LITTLE BOURKE-STREET.

PURSUANT to the provisions of section 4 of the *Melbourne (Widening of Streets) Act 1940*, as amended by the *Melbourne (Widening of Streets) Act 1943*, notice of the making of (a) a proposed new alignment of the boundary between the footway on the north side of Little Bourke-street between Spencer-street and Spring-street and the land abutting thereon, and (b) a proposed new alignment of the boundary between the footway on the south side of Little Bourke-street between Spencer-street and Spring-street and the land abutting thereon, is hereby given by the Lord Mayor, Councillors, and Citizens of the City of Melbourne to the owners of all land affected thereby.

A plan showing the proposed new alignments is open to inspection (without payment of any fee) by any person at all reasonable times at the Town Clerk's Office, Town Hall, Melbourne, and copies thereof may also be inspected (without payment of any fee) at the office of the Registrar of Titles and at the office of the Registrar-General.

The attention of owners of all land affected by the above-mentioned proposed new alignments is directed to section 5 of the *Melbourne (Widening of Streets) Act 1940*, which provides that after the publication of notice of the making of any proposed new alignment in the *Government Gazette* and in two daily newspapers generally circulating in the City of Melbourne, no person shall construct, build, place, reconstruct, rebuild, replace, or repair any building or work, or portion of a building or work, in or upon any land between the proposed new alignment and the old alignment:

Provided that with the consent of the Council, minor and not substantial repairs and improvements may be effected to any such building or work in order to permit of its reasonable preservation and temporary use.

Dated this seventeenth day of December, One thousand nine hundred and forty-five.

By direction of the Lord Mayor, Councillors, and Citizens of the City of Melbourne.

5004

H. S. WOOTTON, Town Clerk.

Melbourne (Widening of Streets) Acts.

CITY OF MELBOURNE.

NOTICE TO OWNERS OF MAKING OF PROPOSED NEW ALIGNMENTS OF LITTLE COLLINS-STREET.

PURSUANT to the provisions of section 4 of the *Melbourne (Widening of Streets) Act 1940*, as amended by the *Melbourne (Widening of Streets) Act 1943*, notice of the making of (a) a proposed new alignment of the boundary between the footway on the north side of Little Collins-street between King-street and Spring-street and the land abutting thereon, and (b) a proposed new alignment of the boundary between the footway on the south side of Little Collins-street between King-street and Spring-street and the land abutting thereon, is hereby given by the Lord Mayor, Councillors, and Citizens of the City of Melbourne to the owners of all land affected thereby.

A plan showing the proposed new alignments is open to inspection (without payment of any fee) by any person at all reasonable times at the Town Clerk's Office, Town Hall, Melbourne, and copies thereof may also be inspected (without payment of any fee) at the office of the Registrar of Titles and at the office of the Registrar-General.

The attention of owners of all land affected by the above-mentioned proposed new alignments is directed to section 5 of the *Melbourne (Widening of Streets) Act 1940*, which provides that after the publication of notice of the making of any proposed new alignment in the *Government Gazette* and in two daily newspapers generally circulating in the City of Melbourne, no person shall construct, build, place, reconstruct, rebuild, replace, or repair any building or work, or portion of a building or work, in or upon any land between the proposed new alignment and the old alignment:

Provided that with the consent of the Council, minor and not substantial repairs and improvements may be effected to any such building or work in order to permit of its reasonable preservation and temporary use.

Dated this seventeenth day of December, One thousand nine hundred and forty-five.

By direction of the Lord Mayor, Councillors, and Citizens of the City of Melbourne.

5003

H. S. WOOTTON, Town Clerk.

Melbourne (Widening of Streets) Acts.

CITY OF MELBOURNE.

NOTICE TO OWNERS OF MAKING OF PROPOSED NEW ALIGNMENTS OF LITTLE LONSDALE-STREET.

PURSUANT to the provisions of section 4 of the *Melbourne (Widening of Streets) Act 1940*, as amended by the *Melbourne (Widening of Streets) Act 1943*, notice of the making of (a) a proposed new alignment of the boundary between the footway on the north side of Little Lonsdale-street between Spencer-street and Spring-street and the land abutting thereon, and (b) a proposed new alignment of the boundary between the footway on the south side of Little Lonsdale-street between Spencer-street and Spring-street and the land abutting thereon, is hereby given by the Lord Mayor, Councillors, and Citizens of the City of Melbourne to the owners of all land affected thereby.

A plan showing the proposed new alignments is open to inspection (without payment of any fee) by any person at all reasonable times at the Town Clerk's Office, Town Hall, Melbourne, and copies thereof may also be inspected (without payment of any fee) at the office of the Registrar of Titles and at the office of the Registrar-General.

The attention of owners of all land affected by the above-mentioned proposed new alignments is directed to section 5 of the *Melbourne (Widening of Streets) Act 1940*, which provides that after the publication of notice of the making of any proposed new alignment in the *Government Gazette* and in two daily newspapers generally circulating in the City of Melbourne, no person shall construct, build, place, reconstruct, rebuild, replace, or repair any building or work, or portion of a building or work, in or upon any land between the proposed new alignment and the old alignment:

Provided that with the consent of the Council, minor and not substantial repairs and improvements may be effected to any such building or work in order to permit of its reasonable preservation and temporary use.

Dated this seventeenth day of December, One thousand nine hundred and forty-five.

By direction of the Lord Mayor, Councillors, and Citizens of the City of Melbourne.

5005

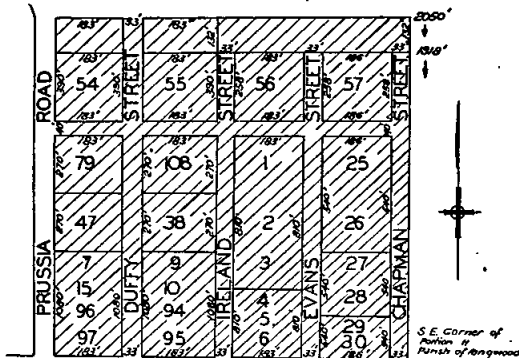
H. S. WOOTTON, Town Clerk.

BOROUGH OF RINGWOOD.

WHEREAS the Council of the Borough of Ringwood deems it expedient to provide the lands described in the Schedule hereto as a pleasure ground and a place of public resort and recreation, and to improve such lands for the more convenient use and enjoyment thereof by the levelling, draining, planting, and otherwise laying out thereof, and the construction thereon of playing fields, tennis courts, gardens, roads, and footpaths. And whereas the said Council has caused to be prepared specifications, maps, and plans showing such pleasure ground and place of public resort and recreation, and the works of levelling, draining, planting, and otherwise laying out the same, and the playing fields, tennis courts, gardens, roads, and footpaths proposed to be constructed thereon, and on and through what lands the same are proposed to be placed and extended, and the names of the owners or reputed owners, lessees, or reputed lessees, and the occupiers thereof, as far as such names can be ascertained by the said Council. And whereas such specifications, maps, and plans are deposited at the office of the said Council in Whitehorse-road, Ringwood, and are shall be open for inspection by all persons interested, at all reasonable hours, for the space of 40 clear days after publication of this notice in the *Government Gazette*. Now notice is hereby given to all persons affected by the proposed work and undertaking, and they are hereby called upon to set forth, in writing, addressed to the said Council or the Town Clerk of the Borough of Ringwood, within 40 clear days from the publication of this notice in the *Government Gazette*, all objections which they may have to the said works or undertaking.

THE SCHEDULE HEREINBEFORE REFERRED TO.

All that piece or parcel of land in the State of Victoria containing 40 acres 1 rood and 33 perches, more or less, situated in the County of Mornington, Parish of Ringwood, being portion eleven, bounded on the north by a line bearing east 867 feet on the east, by a line bearing south 2,050 feet on the south, by a line bearing west 867 feet, and on the west by a line bearing north 2,050 feet, and being the land delineated and hatched on the plan hereunder.



Dated the 19th day of November, 1945.

By order of the Council,

4981 A. F. B. LONG, Town Clerk.

SHIRE OF AVON.

BY-LAW No. 16.

A By-law of the Shire of Avon, fixing the times for slaughtering animals and prescribing fees for examination and branding carcases or meat.

IN exercise of the powers conferred by the Health Acts and any other power thereunto enabling it in that behalf, the President, Councillors, and Ratepayers of the Shire of Avon, for the purposes of carrying the said Acts into execution within their jurisdiction, make the following By-law (that is to say):—

1. This By-law shall come into full force and operation on its approval by the Governor in Council and immediately after its publication in the *Government Gazette*.
2. This By-law shall apply to and have operation throughout the whole of allotment 132, section 1, Parish of Sale, situate in the municipal district of the Shire of Avon.
3. The times for slaughtering animals shall be as follow:—
From 1st November to the 31st March—7 a.m. to 7 p.m.
From the 1st April to the 31st October—7 a.m. to 5 p.m.
4. The slaughtering of animals on Sunday and after 11 a.m. on Saturday is prohibited, except with the written consent of the Meat Inspector, in which case all expenses shall be paid by the person desiring such consent.

5. The fees which shall be demanded and shall be paid to the person appointed by the Council for the purpose shall be as follows:—

	s. d.
For examining any animal	2 0
For examining and branding any carcass of or meat derived from any—	
(a) Bull, cow, heifer, ox, or steer .. .	1 0
(b) Calf, sheep, lamb, goat, or kid .. .	0 5
(c) Swine	0 4
For any certificate as to examination made by the Meat Inspector	2 6

6. Where written consent of the Meat Inspector is given to the slaughtering of animals on Sunday, and after 11 a.m. on Saturday, the following fee in addition to those for inspection, examination, branding, and certificates shall also be fixed, viz.:—Ten shillings.

7. If any person or persons commit a breach of this By-law, he or they shall for every such breach be liable to a penalty of not more than £20, and in the case of a continuing offence a further daily penalty of not more than £5.

The Resolution for passing this By-law was agreed to by the Council of the Shire of Avon on the 7th day of May, One thousand nine hundred and forty-five, and was confirmed by such Council on the 4th day of June, One thousand nine hundred and forty-five.

In witness whereof the seal of the said Council was affixed hereto this 11th day of June, 1945, in the presence of—

A. STEWART, President.
(SEAL) R. S. MAWLEY, Councillor.
JOHN MACLACHLAN, Councillor.
J. G. W. CECIL SHORT, Shire Secretary.

Submitted to the Commission of Public Health on the 31st July, 1945.—J. WHITLOCK, Secretary.

Approved by the Governor in Council, 4th September, 1945.
—J. C. MACGIBBON, Acting Clerk of the Executive Council.
4999

SHIRE OF CRANBOURNE.

NOTICE OF INTENTION TO ACQUIRE LAND COMPULSORILY FOR CONVERSION TO OR USE AS A PLACE OF PUBLIC RESORT OR RECREATION.

IN accordance with section 509 of the *Local Government Act* 1928, a plan has been prepared showing certain lands which the Cranbourne Shire Council desires to acquire for the purpose of converting the same and/or making the same available for use as a place of public resort or recreation. The said lands consist of lot 15 on plan of subdivision No. 1536, lodged in the Office of Titles, and are part of Crown allotment 5, Parish of Koo-wee-rup, County of Mornington, and part of the land described in Crown grant, volume 809, folio 161680, registered proprietor Fanny Evans, of Dandenong, widow, executrix of the will of Mathew Evans, of Collingwood, deceased:—

- (a) The said plan shows the situation and extent of the lands proposed to be acquired.
- (b) The said plan has been deposited with the Secretary of the Shire of Cranbourne at the Shire Offices, at Cranbourne, and it is there open for inspection between the hours of 10 a.m. and 12 noon on Saturdays, and 10 a.m. and 3 p.m. on other week days.
- (c) All persons affected by the proposed work or undertaking are required to set forth, in writing addressed to the Council of the Shire of Cranbourne or to the Secretary thereof within forty clear days from the publication of this notice in the *Government Gazette*, all objections which they may have to the said work or undertaking.

Dated this 7th day of December, 1945.

5000 A. F. BUCHANAN, Shire Secretary.

Loan No. 10.

SHIRE OF PHILLIP ISLAND.

NOTICE OF INTENTION TO BORROW THE SUM OF ONE THOUSAND FIVE HUNDRED POUNDS (£1,500) FOR THE PURPOSE OF PURCHASING GENERATING PLANT FOR ELECTRIC SUPPLY IN THE SHIRE OF PHILLIP ISLAND.

TAKE notice that the Council of the Shire of Phillip Island proposes to borrow on the credit of the President, Councillors, and Ratepayers of the said Shire the sum of One thousand five hundred pounds (£1,500), such sum to be raised by the issue of debentures, in accordance with the provisions of the *Local Government Acts*.

The maximum rate of interest that may be paid is £3 8s. 9d. per cent. per annum. Such moneys to be repayable by twenty half-yearly instalments, each including principal and

interest, by providing out of the municipal fund such amounts on the 1st day of March and the 1st day of September in each respective year during the currency of the loan.

Such moneys shall be repayable at Melbourne at the National Bank of Australasia Limited, or at the Council's bankers for the time being in Melbourne.

The purpose for which the loan is to be applied is for the purchase of additional generating plant for electric supply in the Shire—£1,500.

The plans, specifications, and estimate of the cost of the works referred to above, and a statement showing the proposed expenditure of money to be borrowed, are open for inspection at the Shire Offices, Cowes.

Dated this 26th day of November, 1945.

5028. D. McADIE, Shire Secretary.

PARTNERSHIP ACT 1928.

NOTICE is hereby given that the partnership business of Harford and Sleigh, of 16 Champion-street, Brighton, building contractors, has been dissolved by mutual consent as from the 11th day of December, 1945, and thereafter such business will be carried on under the name of Theodore Harford.

C. A. SLEIGH.
T. H. HARFORD.

W. E. C. Treyvaud, Railway Walk, Hampton, solicitor for the parties. 5001

NOTICE is hereby given that the partnership hitherto subsisting between Charles James Benjamin Davis, Frederick Charles Davis, and Jack Ronald Davis, carrying on business as contractors under the style of "Chas. Davis and Sons," at 20 Maxwell-street, East Malvern, has been dissolved as from 1st December, 1945, by mutual consent. The said Charles James Benjamin Davis and the said Jack Ronald Davis will continue to carry on the said business under the style and at the address aforesaid and will receive all moneys owing to and discharge all debts owing by the said firm.

C. DAVIS.
J. R. DAVIS.
F. C. DAVIS.

R. C. H. Beattie, solicitor, 422 Little Collins-street, Melbourne. 5045

NOTICE is hereby given that the partnership heretofore subsisting between Forest Francis Keith Moloney, of 38 Glenhantly-road, Elsternwick, laundry proprietor, and James Henry Hill, of 53 Glenhantly-road, Elsternwick, laundry proprietor, in the name of Brighton Laundry, at 326 New-street, Brighton, has been dissolved by mutual consent as from the 30th day of June, 1945. The said Forest Francis Keith Moloney will continue to carry on the said business and receive all moneys owing to the partnership and be responsible for all debts due by it.

Dated the 11th day of December, 1945.

5041 F. F. K. MOLONEY.
J. H. HILL.

NOTICE is hereby given, in accordance with the provisions of the *Partnership Act 1928*, that the partnership heretofore existing between Harry Clive Ditchburn, of 50 Hotham-street, Preston, and Henry Liepold, of 31 Stafford-street, West Preston, carrying on the business of engineers and manufacturers under the style or registered business name of "Tube Craft Engineering Company," at 446 Bell-street, Preston, has been dissolved by mutual consent as from the 1st day of December, One thousand nine hundred and forty-five, and the said Harry Clive Ditchburn will continue to carry on the said business under the said name of "Tube Craft Engineering Company" on his own account, the said Henry Liepold having retired from the said partnership.

Dated this 13th day of December, 1945.

HARRY CLIVE DITCHBURN.
HENRY LIEPOLD.

Raynes, Dickson, Kiddle, and Briggs, solicitors, 15 Queen-street, Melbourne. 5033

Companies Act 1938.

THE BROOKLYN BUILDING COMPANY PROPRIETARY LIMITED.

PURSUANT TO SECTION 226.

AT an Extraordinary General Meeting of the above-named company, duly convened and held at No. 401 Collins-street, Melbourne, on Thursday, the 13th day of December, 1945, the following Resolution was passed as a Special Resolution:—

"That the company be wound up voluntarily."

And at such last-mentioned meeting, James Ogilvy, of 401 Collins-street, Melbourne, accountant, was appointed liquidator for the purpose of the winding up.

Dated this 13th day of December, 1945.

5027 H. R. FINK, Chairman.

Companies Act 1938.

THE TIEGA WEIGHBRIDGE COMPANY PROPRIETARY LIMITED.

NOTICE is hereby given that a General Meeting of the above company will be held at the office of E. M. Tobin, solicitor, Ouyen, at half-past Two o'clock in the afternoon, on Friday, the 25th day of January, 1946, for the purposes set out in section 236 of the said Act.

Dated this 17th day of December, 1945.

5010 W. J. CLARKE, Liquidator.

Trustee Act 1928.

NOTICE TO CLAIMANTS.

PURSUANT to the *Trustee Act 1928*, creditors, next of kin, and all other persons having claims in respect of the estate of any deceased person named below are required to send particulars to the legal personal representative or representatives at the address stated, on or before the date stated, after which date the representative or representatives will distribute the assets, having regard only to the claims of which notice has then been received:—

Ellen Frances Wood, late of 83 Elphin-street, Newport, widow, deceased, died 25th October, 1945.—Claims to the executors, George Leslie Wood, of 17 Ludstone-street, Hampton, and Doris Hannah Wood, of 83 Elphin-street, Newport, public servants, care of John F. Carroll, solicitor, 4 Paisley-street, Footscray, by 3rd March, 1946. John F. Carroll, LL.B., solicitor, 4 Paisley-street, Footscray. 5018

William Johnson, late of Woodstock West, farmer, deceased, who died on the 10th day of September, 1945.—Claims to the executors, Farmers and Citizens Trustees Company Bendigo Limited, of Charing Cross, Bendigo, and Lucy Mary Johnson, of Woodstock West, widow, in care of the undersigned solicitors, by 24th day of February, 1946. Tatchell, Dunlop, Smalley, and Balmer, solicitors, Bendigo. 5013

Isabella Armstrong, late of Glen Yeo, near Colac, widow, died 7th August, 1945.—Claims to the executor, Edward Kerr, of Colac, clerk, by 28th February, 1946. 5038

George Armstrong, late of Glen Yeo, near Colac, grazier, died 21st March, 1918.—Claims to the executor, John Lang, of Colac, retired grazier, by 28th February, 1946. 5037

John Maloney, late of Port Fairy, retired licensed victualler, died 26th September, 1945.—Claims to the executrix, Mary Catherine Maloney, of Port Fairy, widow, care of Peter P. Conlan, solicitor, Bank-street, Port Fairy, by 21st February, 1946. 4985

John Ryan (also known as John James Ryan) formerly of "Rosehill," Port Fairy, farmer, but late of Sackville-street, Port Fairy, retired farmer, died 5th October, 1945.—Claims to the executors, Timothy Lawrence Ryan, of "Rosa Hill," Port Fairy, and John James Ryan, of Macarthur, farmers, care of Peter P. Conlan, solicitor, Bank-street, Port Fairy, by 21st February, 1946. 4986

NOTICE TO CLAIMANTS.

THE PERPETUAL EXECUTORS AND TRUSTEES ASSOCIATION OF AUSTRALIA LIMITED, whose registered office is situate at 100-104 Queen-street, Melbourne, and Eric Trenerry Brown, of Benalla, solicitor, the executors of the will of Eliza Gamble, formerly of St. James, late of Princess-street, Kew, widow, deceased (who died on the 15th October, 1945), require all creditors, next of kin, and others having claims against the property and estate of the said deceased to send to the said executors, care of the said association, on or before the 28th day of February, 1946, particulars of such claims, after which date the said executors intend to convey or distribute such property or estate to or among the persons entitled thereto, having regard only to the claims of which they shall have had notice.

F. TRENERRY BROWN & SON, of Benalla, solicitors for the executors. 4991

NOTICE TO CLAIMANTS.

THE BALLARAT TRUSTEES, EXECUTORS, AND AGENCY COMPANY LIMITED, of Lydiard-street, Ballarat, the executor of the will of John Tait, late of Ingor-street, Ararat, retired furniture dealer, deceased (who died on the 15th day of November, 1945), requires all creditors and others having claims against the estate of the said deceased to send particulars, in writing, of such claims to the said company, at its above address, on or before the 1st day of March, 1946, after which date the said company will distribute the assets, having regard only to the claims of which it shall then have notice.

STEWART W. IRWIN, solicitor, Ararat. 4994

NOTICE TO CLAIMANTS—*RE* HORACE SAMUEL HILTON, DECEASED.

NOTICE is hereby given that all persons having claims against the property or estate of Horace Samuel Hilton, late of Somerville, electrical engineer (who died on the 6th day of August, 1945, and letters of administration, with the will annexed, of whose estate were granted to Angelina Hilton, of Somerville, widow), are hereby required to send, in writing, particulars of such claims to the said administratrix, care of the undersigned, on or before the 21st day of February, 1946, after which date she will convey or distribute such property or estate to or among the persons entitled thereto, having regard only to the claims of which she shall then have had notice.

WILLIAM S. COOK & McCALLUM, 94 Queen-street, Melbourne, solicitors. 5023

NOTICE TO CLAIMANTS.—*RE* MARGARET IRVING, DECEASED.

NOTICE is hereby given that all persons having claims against the property or estate of Margaret Irving, late of 8 Milton-street, Canterbury, spinster, deceased (who died on the 10th day of May, 1945, and probate of whose will, and the codicil thereto, was granted to Peter McCallum, of 94 Queen-street, Melbourne, solicitor), are hereby required to send, in writing, particulars of such claims to the said executor, on or before the 23rd day of February, 1946, after which date he will convey or distribute such property or estate to or among the persons entitled thereto, having regard only to the claims of which he shall then have had notice.

WILLIAM S. COOK & McCALLUM, 94 Queen-street, Melbourne. 5022

CREDITORS, next of kin, and others having claims in respect of the estate of William James Harrison, late of 140 Pickles-street, Port Melbourne, aircraft worker, deceased (who died on the 28th day of April, 1945), are to send the particulars of their claims to Frederick Charles Degenhardt, the executor, care of the undersigned, by the 21st day of February, 1946, after which date he will distribute the assets, having regard only to the claims of which he then has notice.

WILLIAM S. COOK & McCALLUM, 94 Queen-street, Melbourne, solicitors. 5021

CREDITORS, next of kin, and others having claims in respect of the estate of Elizabeth Jane Appleton, late of Mercer-road, Malvern, in Victoria, widow, deceased (who died on the 14th day of July, 1945, and probate of whose will was granted by the Supreme Court of Victoria, on the 14th day of December, 1945, to The Trustees, Executors, and Agency Company Limited, of 401 Collins-street, Melbourne, the substituted executor named in the said will), are to send the particulars of their claims to the said The Trustees, Executors, and Agency Company Limited, at its address above-mentioned, by the 23rd day of February, 1946, after which date it will distribute the assets, having regard only to the claims of which it then has notice.

Dated this 18th day of December, 1945.

BLAKE & RIGGALL, 120 William-street, Melbourne, solicitors for the said executor. 5020

NOTICE TO CLAIMANTS.—*RE* ARTHUR PALMER, DECEASED.

THE PERPETUAL EXECUTORS AND TRUSTEES ASSOCIATION OF AUSTRALIA LIMITED, whose registered office is situate at Nos. 100-104 Queen-street, Melbourne, in the State of Victoria, and Charles Ordige Strong, of Aphrasia-street, Newtown, in the said State, gentleman, the executors of the will of Arthur Palmer, late of Marne-street, South Yarra, in the said State, gentleman (who died on the 4th day of October, 1945), require all creditors, next of kin, and others having claims against the property or estate of the said deceased, to send to the said executors, in the care of the said association, on or before the 28th day of February, 1946, particulars, in writing, of such claims, after which date the said executors intend to convey or distribute such property or estate to or among the persons entitled thereto, having regard only to the claims of which they shall have had notice.

Dated the 13th day of December, 1945.

A. H. WOODFULL, 430 Little Collins-street, Melbourne, solicitor for the executors. 5019

CREDITORS, next of kin, and others having claims in respect of the estate of Eliza Brown, late of 1005 Mair-street, Ballarat, in the State of Victoria, widow, deceased (who died on the 9th day of October, 1945), are to send particulars of their claims to The Ballarat Trustees, Executors, and Agency Company Limited, of 101 Lydiard-street north, Ballarat aforesaid, by the 27th day of February, 1946, after which date it will distribute the assets having regard only to the claims of which it then has notice.

CUTHBERT, MORROW, MUST, & SHAW, solicitors, Ballarat. 5016

ALL persons having claims against the estate of Jessie Bath, late of 515 Windermere-street, Ballarat, widow, deceased, probate of whose will was, on the 26th day of November, 1945, granted by the Supreme Court of Victoria to Alexander Brown Tolmie, of 27 Glazebrook-street, Ballarat, retired, and Thomas Oliver Pengelly, of 513 Windermere-street, Ballarat, saddler, the executors thereby appointed, are hereby required to send particulars, in writing, of such claims to the said executors, in care of the undersigned, on or before the 23rd day of February, 1946, after which date the said executors will proceed to convey or distribute the said estate, or any part thereof, to or among the persons entitled thereto, having regard only to the claims of which they shall then have had notice, and will not be liable for the assets, or any part thereof, so distributed to any person of whose claim they shall not then have had notice.

Dated the 12th day of December, 1945.

CLARKE & GAVAN DUFFY, solicitors, Lydiard-street, Ballarat. 4995

EMMA JANE TREKNER, late of Mair-street east, Ballarat, widow, DECEASED (who died on 6th August, 1945).

CREDITORS, next of kin, and all other persons having claims against the estate of the deceased are required by the executors, William Titheridge, of 93 Barkly-street, Ballarat, estate agent, and William Titheridge (the younger), of 121 Barkly-street, Ballarat, auctioneer, to send particulars to them, care of the undersigned, on or before the 20th day of February, 1946, after which date they will distribute the assets, having regard only to the claims of which they then have notice.

R. J. GRIBBLE & HOLLWAY, solicitors, 22 Lydiard-street south, and 99 Bridge-street, Ballarat. 4996

MICHAEL DELANEY, formerly of Pearsonsdales, in the State of Victoria, but late of Cunningham-street, Sale, in the said State, retired, DECEASED.

CREDITORS, next of kin, and all persons having claims against the estate of the above-named deceased (who died on the 16th day of August, 1945, and probate of whose will was granted by the Supreme Court of the State of Victoria, on the 23rd day of October, 1945, to Thomas Millar, formerly of Pearsonsdales, but now of Cunningham-street, Sale, in the said State, farmer), are hereby required to send particulars of such claims to the said executor, in care of the undersigned, at his address hereunder set out, on or before the 31st day of February, 1946, after which date the said executor will proceed to distribute the assets of the said deceased among the persons entitled thereto, having regard only to the claims of which he shall then have had notice.

J. CROFTON LEE, LL.B., of 69A Raymond-street, Sale, proctor for the executor. 4988

EMMA JANE SAUNDERS, late of Alexandra, in the State of Victoria, spinster, DECEASED.

ALL persons having claims against or interest in the estate of the above-named deceased (who died on the 21st day of May, 1945, and probate of whose will was on the 5th day of December, 1945, granted to The Trustees, Executors, and Agency Company Limited, of 401-403 Collins-street, Melbourne), are required to send, in writing, to the said company on or before the 20th day of February, 1946, at its address aforesaid, particulars of such claims or interest, after which date the said company will proceed to distribute the assets of the said deceased amongst the persons entitled thereto, having regard only to the claims of which it shall then have had notice.

Dated the 10th day of December, 1945.

GEORGE D. LECKIE, Alexandra, solicitor for the above-named executor. 5036

NOTICE TO CLAIMANTS.—ROBERT PERCY STEELE, DECEASED.

THE EQUITY TRUSTEES, EXECUTORS, AND AGENCY COMPANY LIMITED, of 472 Bourke-street, Melbourne, in the State of Victoria, the executor of the will of Robert Percy Steele, formerly of Pascoe Vale, farmer, but late of 50 Magnolia-road, Gardenvale, in the said State, gentleman, deceased (who died on the 21st day of August, 1945), requires all creditors, next of kin, and all others having claims against the property or estate of the said deceased to send to the said company on or before the 28th day of February, 1946, particulars, in writing, of such claims, after which date the said executor intends to convey or distribute such property or estate to or among the persons entitled thereto, having regard only to the claims of which the said company shall have had notice.

C. J. McFARLANE & DOUGALL, 430 Little Collins-street, Melbourne. 5039

RE ARTHUR EDWIN HARRIS, DECEASED.

PURSUANT to the provisions of the Trustee Acts, notice is hereby given that all persons having claims against the estate of Arthur Edwin Harris, late of No. 13 Catherine-street, Canterbury, Victoria, salesman, deceased (who died on the 7th October, 1945, and probate of whose will was, on the 13th day of December, 1945, granted by the Supreme Court of Victoria to the Trustees, Executors, and Agency Company Limited, of No. 401 Collins-street, Melbourne, Victoria, the sole executor named in and appointed by the said will), are hereby required to send particulars, in writing, of such claims to the said The Trustees, Executors, and Agency Company Limited, at its address aforesaid, on or before the 22nd day of February, 1946, and notice is hereby given that after such last-mentioned date the said company will proceed to distribute the assets of the said deceased which shall have come to its hands, having regard only to the claims of which it shall then have had notice; and the said company or the estate of the said deceased will not be liable for the assets, or any part thereof, so distributed to any person of whose claim it shall not have had notice as aforesaid.

Dated this 19th day of December, 1945.

ALEXANDER GRANT, DICKSON, & MENHENNITT,
solicitors, 119 William-street, Melbourne. 5040

THE PERPETUAL EXECUTORS AND TRUSTEES ASSOCIATION OF AUSTRALIA LIMITED, whose registered office is situate at Nos. 100-104 Queen-street, Melbourne, in the State of Victoria, the administrator to whom letters of administration of the estate of Harry Stanley Barker, late of 10 Blake-street, Caulfield, mechanic (who died on the 15th day of August, 1945), were granted by the Supreme Court of Victoria, on the 14th day of November, 1945, requires all creditors, next of kin, and others having claims against the property or estate of the said deceased to send to the said association, on or before the 21st day of February, 1946, particulars, in writing, of such claims, after which date the said association intends to convey or distribute such property or estate to or among the persons entitled thereto having regard only to the claims of which it shall have had notice.

Dated the 13th day of December, 1945.

NORVAL H. DOOLEY & BREEN, solicitors, 31 Queen-street, Melbourne. 5042

NOTICE TO CLAIMANTS.—RE ELIZABETH ANN ARMITAGE, DECEASED.

ALL persons having claims against the property or estate of Elizabeth Ann Armitage, late of Christchurch, in the Dominion of New Zealand, married woman, deceased (who died on the 3rd day of March, 1944, and probate of whose will was granted to The Perpetual Trustees Estate and Agency Company of New Zealand Limited and William Charlesworth Armitage, of Christchurch, the executors named therein by the Supreme Court of the Dominion of New Zealand, on the 12th day of May, 1944, and application for reseat of an exemplification of which said probate was granted by the Supreme Court of Victoria, on the 28th day of June, 1945, to Harold Edward Morgan, of 74 Pitt-street, Sydney, in the State of New South Wales), are hereby required to send in particulars, in writing, of such claims to the said Harold Edward Morgan, care of the under-mentioned proctors, on or before the 28th day of February, 1946, after which date the said Harold Edward Morgan will, in pursuance of section 86 of the *Administration and Probate Act 1928*, pay and/or hand over to the said executor the assets of the said deceased which shall have come to his hands or possession, having regard only to the claims of which he shall have had notice.

Dated the 18th day of December, 1945.

CORR & CORR, of 104 Queen-street, Melbourne, proctors for the said Harold Edward Morgan. 5043

NOTICE TO CLAIMANTS.

CREDITORS, next of kin, and others having claims against the estate of Victoria Constance Chiton, formerly of "Warrabell," Warrabell-road, Lower Ferntree Gully, in the State of Victoria, but late of 139 North-road, Gardenvale, in the said State, widow, deceased (who died on the 7th day of September, 1945), are hereby required to send particulars, in writing, of their claims to the executor, The Equity Trustees, Executors, and Agency Company Limited, whose registered office is situate at 472 Bourke-street, Melbourne, in the said State, on or before the 22nd day of February, 1946, after which date the said company will distribute the assets of the said deceased, having regard only to the claims of which it then has had notice.

Dated the 19th day of December, 1945.

E. W. OLLEY, 431 Bourke-street, Melbourne, solicitor for the said company. 5044

TRUSTEE ACT 1928.

NOTICE is hereby given that all persons having claims against the estate of Stanley Roper Grave, formerly of 17 William-street, South Yarra, but late of 32 Avoca-street, South Yarra, in the State of Victoria, dentist, deceased (who died on the 12th day of August, 1945, and probate of whose will was granted by the Supreme Court of the said State, in its probate jurisdiction, on the 3rd day of December, 1945, to The Union Trustee Company of Australia Limited, of 333 Collins-street, Melbourne, in the said State), are hereby required to send particulars, in writing, of such claims to the said The Union Trustee Company of Australia Limited, at the above-mentioned address, on or before the 28th day of February, 1946, after which date the said The Union Trustee Company of Australia Limited will proceed to distribute the assets of the said Stanley Roper Grave, deceased, which shall have come to his hands, amongst the persons entitled thereto, having regard only to the claims of which he shall then have had notice. And notice is hereby further given that the said The Union Trustee Company of Australia Limited will not be liable for the assets so distributed, or any part thereof, to any person of whose claim he shall not have had notice as aforesaid.

Dated this 12th day of December, 1945.

JOHN P. RHODEN, of 376 Collins-street, Melbourne, solicitor for the said The Union Trustee Company of Australia Limited. 5035

CREDITORS, next of kin, and others having claims in respect of the estate of Elizabeth Emily Baynes, late of 119 Neville-street, Albert Park, in the State of Victoria, widow, deceased (who died on the 22nd day of September, 1945), are to send the particulars of their claims to The Equity Trustees, Executors, and Agency Company Limited, at its registered office, 472 Bourke-street, Melbourne, by the 20th day of February, 1946, after which date it will distribute the assets, having regard only to the claims of which it then has notice.

PEARSON, EGGINGTON, & LEGGATT, of 191 Queen-street, Melbourne, solicitors for the said company. 5032

ERNEST MILLER, late of 31 Anne-crescent, North Brighton, commercial traveller (who died 24th June, 1945).

CREDITORS, next of kin, and all others having claims against the estate of the deceased are required by the executor of the will, Walter Geappen, of 7 Elm-street, Hawthorn, commercial traveller, to send particulars to him, care of the undersigned, on or before 20th February, 1946, otherwise they may be excluded when the assets are being distributed.

MACKINNON & COLLES, solicitors, 379 Collins-street, Melbourne. 5031

EMMA DIGHT, late of 19 Yann-street, Preston, in the State of Victoria, widow, DECEASED.

ALL persons having claims against the estate of the above-named deceased (who died on the 23rd day of September, 1943, and probate of whose will was granted by the Supreme Court of Victoria on the 6th day of March, 1944, to Charles Clifford Dodd, of 7 Smith-street, Fitzroy, in the said State, estate agent, the executor named in and appointed by the said will), are hereby required to send particulars, in writing, of such claims to the said executor, care of the under-mentioned solicitors, on or before the 1st day of March, 1946, after which date the said executor will proceed to distribute the assets of the said deceased amongst the persons entitled thereto, having regard only to the claims of which he shall then have had notice. And notice is hereby given that the said executor will not be liable for the assets, or any part thereof, so distributed to any person of whose claim he shall not then have had notice.

Dated this 17th day of December, 1945.

NORMAN MILLER & DONALDSON, of 100 Queen-street, Melbourne, solicitors for the said executor. 5026

PATRICK McPECK, late of 58 Dudley-street, West Melbourne, gentleman, DECEASED (who died 2nd October, 1945).

CREDITORS, next of kin, and others having claims against the estate of the deceased are required by the executors of his will, National Trustees, Executors, and Agency Company of Australasia Limited, of 95 Queen-street, Melbourne, and Thomas James Wallace, of 87 Queen-street, West Coburg, clerk in Victorian Railways, to send particulars to the said executors, at the said address of the company, on or before 21st February, 1946, after which date it and he will distribute the assets, having regard only to the claims of which it and he then has notice.

FITZGERALD & FITZGERALD, solicitors, 396 Little Flinders-street, Melbourne. 5024

NOTICE TO CREDITORS AND OTHERS.—*RE* HARRY LOGAN FERN, DECEASED.

PURSUANT to the *Trustee Act* 1928, notice is hereby given that all persons having claims against the estate of Harry Logan Fern, late of 32 Embling-road, Malvern, in the State of Victoria, secretary, deceased (who died on the 31st day of July, 1945, and letters of administration of whose estate were granted by the Supreme Court of the State of Victoria to Vera Sybil Fern, of 32 Embling-road, Malvern aforesaid, spinster), are hereby required to send particulars, in writing, of such claims to the said Vera Sybil Fern on or before the 11th day of March, 1946, after which date the said Vera Sybil Fern will proceed to distribute the assets of the said deceased, which shall have come to her hands, amongst the persons entitled thereto, having regard only to the claims of which she shall then have had notice, and the said Vera Sybil Fern will not be liable for the assets so distributed, or any part thereof, to any person of whose claim she shall not have had notice as aforesaid.

Dated this 14th day of December, 1945.

ARTHUR ROBINSON & CO., solicitors, 360 Collins-street, Melbourne, C.I. 5034

CREDITORS, next of kin, and others having claims in respect of the estate of John Barnett, late of 66 Bond-street, Ballarat, retired ironmoulder, deceased (who died on 3rd November, 1945), are to send particulars of their claims to The Ballarat Trustees, Executors, and Agency Company Limited, at its address 101 Lydiard-street north, Ballarat, by the 22nd day of February, 1946, after which date the company will distribute the assets, having regard only to the claims of which it then has notice.

Dated 17th December, 1945.

BAIRD & BAIRD, solicitors, Ballarat. 5014

CREDITORS, next of kin, and others having claims in respect of the estate of James Edwin Bryan Millington, late of Webster-street, Ballarat, manager, deceased (who died on 20th October, 1945), are to send particulars of their claims to The Ballarat Trustees, Executors, and Agency Company Limited, at its office, 101 Lydiard-street north, Ballarat, by the 3rd day of March, 1946, after which date the company will distribute the assets, having regard only to the claims of which it then has notice.

Dated 18th December, 1945.

BAIRD & BAIRD, solicitors, Ballarat. 5015

PURSUANT to the *Trustee Act* 1928, all persons having claims against the estate of Alice Macfarlane, late of Shanghai, China, missionary, deceased, are required to forward particulars to the executors, at the address below, on or before the 23rd day of February, 1946, after which date the said executors will proceed to distribute the assets of the said deceased, having regard only to the claims of which notice has been received.

Dated this 17th day of December, 1945.

McCRACKEN & McCRACKEN, solicitors, 317 Collins-street, Melbourne, C.I. 5007

DANIEL FISHER MORRISON, late of Moondarra, retired horticulturist, DECEASED (who died 12th October, 1945).

CREDITORS, next of kin, and all other persons having claims against the estate of the deceased are required by the executors of the will, David Glenday Matthew, farmer, and Janet Matthew, married woman, both of Tongala East, but formerly of Moondarra, to send particulars to them, care of the undersigned, on or before the 30th day of January, 1946, after which date they will distribute the assets, having regard only to the claims of which they then have notice.

5006

MINING NOTICES.

EAST CLARENCE GOLD MINING COMPANY NO LIABILITY.

NOTICE.—A Call (the 46th) of Six pence per share has been made on the capital of this company, due and payable at the company's office, Charing Cross, Bendigo, on Wednesday, 9th January, 1946.

J. J. STANISTREET,
4990 (McColl, Rankin, and Stanistreet), Manager.

NORTH VIRGINIA GOLD MINING COMPANY NO LIABILITY.

NOTICE.—A Call (the 68th) of Six pence per share has been made on the capital of this company, due and payable at the company's office, Charing Cross, Bendigo, on Wednesday, 9th January, 1946.

J. J. STANISTREET,
4989 (McColl, Rankin, and Stanistreet), Manager.

SOUTH DEBORAH GOLD MINES NO LIABILITY.

NOTICE is hereby given that John Jepson Stanistreet has been appointed manager of South Deborah Gold Mines No Liability instead of Ernest Albert Arnold, deceased, and that the situation of the registered office of the said company has been changed and is now at Commonwealth Bank Chambers, Charing Cross, Bendigo. Both changes took place on the 11th day of December, 1945.

The common seal of South Deborah Gold Mines No Liability is hereto affixed by order of the Directors this 11th day of December, 1945.

(SEAL) R. L. GAIR, Director.
W. C. GALL, Director.
J. J. STANISTREET, Manager.

5029

DEBORAH GOLD MINES NO LIABILITY.

NOTICE is hereby given that John Jepson Stanistreet has been appointed manager of Deborah Gold Mines No Liability instead of Ernest Albert Arnold, deceased, and that the situation of the registered office of the said company has been changed and is now at Commonwealth Bank Chambers, Charing Cross, Bendigo. Both changes took place on the 11th day of December, 1945.

The common seal of Deborah Gold Mines No Liability is hereto affixed by order of the Directors this 11th day of December, 1945.

(SEAL) R. L. GAIR, Director.
W. C. GALL, Director.
J. J. STANISTREET, Manager.

5030

IMPOUNDINGS.

CRANBOURNE.—Impounded at Cranbourne, by Ranger, from Lyndhurst.

1 bay medium draught mare, aged, off hind coronet white, star and stripe, no visible brand

If not claimed and expenses paid, to be sold on 3rd January, 1946.

F. H. CLARK,
Poundkeeper.

5048—5/4

DUNOLLY.—Impounded at Dunolly.

1 four-tooth wether, piece out each ear, like black H or K on side

If not claimed and expenses paid, to be sold on 27th December, 1945.

D. A. RAE,
Poundkeeper.

5011—4/8

GISBORNE.—Impounded at Gisborne, by E. A. East, Country Roads Board Ranger.

1 red and white steer

1 red bull calf

1 red cow, white on belly and flank, split point off ear, like S in angle near rump

If not claimed and expenses paid, to be sold on 2nd January, 1946.

J. M. MORTON,
Poundkeeper.

4992—6/8

HEIDELBERG.—Impounded at Heidelberg.

1 flea-bitten grey mare, no visible brand

If not claimed and expenses paid, to be sold on 2nd January, 1946.

R. J. ADDICOTT,
Poundkeeper.

5046—4/

KEILOR.—Impounded at Keilor.

1 bay pony mare, about 14 hands, small star on forehead, no visible brand

If not claimed and expenses paid, to be sold on 3rd January, 1946.

E. HARDISTY,
Poundkeeper.

5047—4/8

KORUMBURRA.—Impounded in Korumburra Pound, on 3rd December, 1945.

1 Jersey cow, piece out side near ear, piece out top and side off ear; calf at foot.

If not claimed and expenses paid, to be sold on 21st December, 1945.

J. McFARLANE,
Poundkeeper.

4993—5/4

MELBOURNE.—Impounded in Arden-street Pound, by A. Thomas.

1 black pony mare, small star, white spots under saddle, no visible brand
If not claimed and expenses paid, to be sold on 3rd January, 1946.

D. CROWE,
Poundkeeper.

5008—5/4

ORBOST.—Impounded in Orbst Pound.

1 black cow, like JA (conjoined) on off rump, hazy AJ (A sideways) on near rump
1 Jersey cow, spur upside down on off rump; bull calf at foot
1 brindle baldy heifer, P on near rump
1 brindle baldy bull calf, no visible brand
1 dark-blue roan bullock, top and bottom out of near ear
If not claimed and expenses paid, to be sold after fourteen days.

H. DOMINEY,
Poundkeeper.

4987—7/4

SALE.—Impounded in Sale Pound.

1 Jersey heifer, piece out of front near ear, W on off rump
If not claimed and expenses paid, to be sold on 14th December, 1945.

G. CLARK,
Poundkeeper.

4997—4/

STRATFORD.—Impounded in Stratford Pound, by J. D. Richardson, Impounding Officer, from South Riding and Stratford Township.

1 yellow Jersey cow, top off near ear, slit top off ear, like CM on off rump
1 brindle Jersey steer, top off near ear, slit top off ear, indescribable brand on off rump
1 brown gelding, star, shod, no visible brand
1 bay mare, star and snip, shod, no visible brand
If not claimed and expenses paid, to be sold on 7th January, 1946.

E. C. BOCK,
Poundkeeper.

4998—8/8

AGENTS FOR THE "VICTORIA GOVERNMENT GAZETTE."

The following have been appointed agents to receive Advertisements and subscriptions for the *Victoria Government Gazette*:—

ARMSTRONG'S AGENCY, 143 Queen-street, Melbourne.

MESSRS. ARWALL & JACKSON, 115 Barkly-street, West Brunswick.

MESSRS. GORDON & GOTCH, News Agents, 511 Little Collins-street, Melbourne; and corner Barrack and Clarence streets, Sydney.

MESSRS. HARSTON, PARTRIDGE, & CO., 455 Little Collins-street, Melbourne.

N. V. NIXON & CO., 20 Queen-street, Melbourne.

THE PATON ADVERTISING SERVICE PTY. LTD.

ROBERTSON & MULLENS LTD., Elizabeth-street, Melbourne.

MESSRS. W. H. WADDELL and A. S. RICHARDSON, trading as The Mercantile Exchange, 380 Collins-street, Melbourne.

MR. A. J. DIGBY, News Agent, Bairnsdale.

MR. M. R. BADE, Tobacconist, Sturt-street, Ballarat.

TRIGG'S NEWS AGENCY, Hargreaves-street, Bendigo.

MR. G. H. K. PAYNE, 4 View Point, Bendigo.

MR. G. F. LATIMER, News Agent, Casterton.

MESSRS. HENRY FRANKS & CO., Booksellers and Stationers, Market-square, Geelong.

MESSRS. SMITH & DUNNON, Hamilton.

ARMSTRONG BROS., Kyneton.

MR. WM. DAVIS, Mildura.

PIKE'S AUTHORIZED NEWS AGENCY, Sale.

MR. C. T. RUST, News Agent, Wangaratta.

MR. F. T. MCCORMICK, Nunn-street, Benalla.

F. R. & E. M. COOKE, Bridge-street, Benalla.

A copy of the *Gazette* filed at each place for public reference.

THE "VICTORIA GOVERNMENT GAZETTE."

SUBSCRIPTIONS.—The subscription, including Postage, is £1. 12s. 6d. per annum, 16s. 3d. half-yearly, or 8s. 2d. per quarter, payable in advance.

Subscriptions are required to commence and terminate with a month.

A lesser period than three months cannot be subscribed for. Subscribers do not receive the Acts of Parliament with the GAZETTE.

ADVERTISEMENTS are charged at the rate of EIGHT PENCE per line single column, and ONE SHILLING and FOUR PENCE per line double column.

The title (£5 Reward, Dissolution of Partnership, &c.) forms one or more lines as a heading.

On an average, eleven words make a line.

Every signature must likewise be counted as a line.

The final words of a paragraph, though only portion of a line, must be counted as one line.

SIGNATURES (in particular) and proper names must be written very plainly in the text; ONE SIDE ONLY of each slip of paper should be WRITTEN UPON.

ALL COMMUNICATIONS should be addressed to "The Government Printer, Melbourne."

ALL DOCUMENTS illegibly written will be returned unpublished, and, where brands occur unprovided for by the ordinary letters of the alphabet, a worded explanatory description must be furnished.

THE VICTORIA GOVERNMENT GAZETTE is published on WEDNESDAY EVENING in each week, and Notices for insertion will be received by the Government Printer at or before TWO p.m., at ordinary rates, and late advertisements between TWO p.m. and FIVE p.m. at double rates on the day preceding the day of publication.

Single copies of the VICTORIA GOVERNMENT GAZETTE are Six pence, posted Eight pence, each.

No GAZETTES prior to January, 1934, in stock.

***ALL PAYMENTS ARE REQUIRED IN ADVANCE.—Remittances should be made by postal note, money order, or draft in favour of the Government Printer. Advertisements unaccompanied by a remittance sufficient to cover the cost of insertion will be returned unpublished.

CONTENTS

	PAGE
Acts of Parliament	3013
Appointments	3015
Christmas and New Year Holidays	3015
Contracts	3021
Country Roads Board	3029, 3034
Courts	3020
Estates of Deceased Persons	3023
Government Notices	3021
Impoundings	3047
Lands	3037
Mining	3047
Ministers of Religion Registered to Celebrate Marriages in Victoria	3021
Orders in Council	3027
Private Advertisements	3041
Proclamations	3013
Publication of the <i>Government Gazette</i>	3015
Public Service Notices	3018
Resignations	3017
State Rivers and Water Supply Commission	3026
Tenders	3040
The State Savings Bank of Victoria—Monthly Statement	3022
Waterworks Trusts	3024