



VICTORIA GOVERNMENT GAZETTE.

Published by Authority.

[Registered at the General Post Office, Melbourne, for transmission by post as a newspaper.]

No. 170]

WEDNESDAY, AUGUST 28.

[1946

Land Act 1928.

AREAS OF LANDS COMPRISED IN CERTAIN CLASSES DIMINISHED OR INCREASED.

PROCLAMATION

By His Excellency the Lieutenant-Governor of the State of Victoria and its Dependencies in the Commonwealth of Australia,
&c., &c., &c.

WHEREAS by the *Land Act 1928* it is amongst other things enacted that the Governor in Council may, by Proclamation to be published in the *Government Gazette*, at any time diminish or increase the area of land comprised in any of the classes mentioned in Part I., Division 1, section 5, of the said *Land Act 1928*, but that the area of lands which may be sold by auction (Class 6) shall not be increased except as in certain cases in the said Act provided: Now therefore I, the Lieutenant-Governor of the State of Victoria, in the Commonwealth of Australia, by and with the advice of the Executive Council of the said State, and in accordance with the provisions of sections 94 and 117 of the *Land Act 1928* aforesaid, do hereby diminish or increase (as the case may be) the areas of Crown lands comprised in Classes 2, 3, and 4 respectively of the classes mentioned in section 5 of the *Land Act 1928* aforesaid to the extent set forth in the subjoined Schedule (that is to say):—

Schedule referred to.

CLASSES DIMINISHED OR INCREASED.

County.	Parish.	Allotment.	Section.	Area.	Diminished.	Increased.	Description.
					Class.	Class.	
				A. B. P.			
Evelyn ..	Warrandyte ..	4A	B	0 1 7	7	6	In north of parish West of town of Palmerston
Buln Buln ..	Alberton East ..	141, 142, 147, 148	..	39 3 36	2	6	

Given under my Hand and the Seal of the State of Victoria aforesaid, at Melbourne, this twentieth day of August, in the year of our Lord One thousand nine hundred and forty-six, and in the tenth year of the reign of His Majesty King George VI.

(L.S.)

E. F. HERRING.

By His Excellency's Command,

L. W. GALVIN,
Commissioner of Crown Lands and Survey.

GOD SAVE THE KING!

PUBLIC HOLIDAYS.

PROCLAMATION

By His Excellency the Lieutenant-Governor of the State of Victoria and its Dependencies in the Commonwealth of Australia, &c., &c., &c.

IN pursuance of the provisions contained in Part VII. of the *Public Service Act 1928* (19 Geo. V. No. 3757), I, the Lieutenant-Governor of the State of Victoria, in the Commonwealth of Australia, by and with the advice of the Executive Council of the said State, do by this my Proclamation appoint the days and dates hereunder mentioned to be observed as Public Holidays or Public Half-Holidays (as the case may be) at the places respectively specified, viz.:—

Public Holidays:—

- MONDAY, 7TH OCTOBER, 1946, throughout Hopetoun and District in the Shire of Karkaroc.
 *THURSDAY, 5TH SEPTEMBER, 1946, throughout the Shire of Mount Rouse.
 *WEDNESDAY, 13TH NOVEMBER, 1946, throughout the Shire of Strathfieldsaye.

Public Half-Holiday from the Hour of Twelve o'clock noon:—

- *WEDNESDAY, 9TH OCTOBER, 1946, throughout the Shire of Kerang.

* Agricultural Show.

Given under my Hand and the Seal of the State of Victoria aforesaid, at Melbourne, this twenty-seventh day of August, in the year of our Lord One thousand nine hundred and forty-six, and in the tenth year of the reign of His Majesty King George VI.

(L.S.)

E. F. HERRING.

By His Excellency's Command,

W. SLATER,
Chief Secretary.

GOD SAVE THE KING!

GAS REGULATION ACT 1933.

PROCLAMATION

By His Excellency the Lieutenant-Governor of the State of Victoria and its Dependencies in the Commonwealth of Australia, &c., &c., &c.

IN pursuance of the powers conferred by the provisions of the *Gas Regulation Act 1933*, I, the Lieutenant-Governor of the State of Victoria, by and with the advice of the Executive Council thereof, do by this my Proclamation revoke a Proclamation which was made on the sixteenth day of August, 1940, by virtue of and in accordance with the provisions contained in section 33 of the *Gas Regulation Act 1933*, and which was published in the *Government Gazette* of the aforesaid sixteenth day of August, 1940.

Given under my Hand and the Seal of the State of Victoria aforesaid, at Melbourne, this twenty-seventh day of August, in the year of our Lord One thousand nine hundred and forty-six, and in the tenth year of the reign of His Majesty King George VI.

(L.S.)

E. F. HERRING.

By His Excellency's Command,

W. SLATER,
Chief Secretary.

GOD SAVE THE KING!

APPOINTMENTS.

HIS Excellency the Lieutenant-Governor of the State of Victoria, by and with the advice of the Executive Council thereof, has, by Order made on the 16th day of July, 1946, been pleased to make the following appointments, viz.:—

DEPARTMENT OF LANDS AND SURVEY.

Trustees of Site.

EDGAR MITCHELL THOMAS and
JAMES WILLIAM OUTTRIM

to be Trustees of the land temporarily reserved on the 1st May, 1871, as a site for Wesleyan Church purposes at Daylesford, in the place of John Daniel Jenkin and Conrad Koch.

C. W. KINSMAN,
Clerk of the Executive Council.

At the Executive Council Chamber,
Melbourne, 16th July, 1946.

APPOINTMENTS.

HIS Excellency the Lieutenant-Governor of the State of Victoria, by and with the advice of the Executive Council thereof, has, by Orders made on the 20th day of August, 1946, been pleased to make the under-mentioned appointments, viz.:—

DEPARTMENT OF AGRICULTURE.

Assistant Plant Pathologist.

GEORGE CHESTERTON WADE

to be an Assistant Plant Pathologist, Classes "D" and "C," Professional Division; a vacancy having occurred, and the Public Service Board having certified on the 20th July, 1946, that an appointment is required, that there is no person available and fit in the Public Service to be promoted or transferred to fill the vacant office, and that the person named is a fit and proper person and duly qualified to be appointed to fill such vacancy on probation for three months, to date from and inclusive of the 15th April, 1946.

DEPARTMENT OF CHIEF SECRETARY.

Licensing Inspector.

ISAAC FROWD, Superintendent of Police, pursuant to the provisions of the Licensing Acts, to be a Licensing Inspector for each any every Licensing District in the State of Victoria, to date from the 8th August, 1946, vice William Edward Davis, resigned.

Taxidermist.

PATRICK JOSEPH O'BRIEN

to be a Taxidermist, Class "D," Professional Division, National Museum; a vacancy having occurred, and the Public Service Board having certified, on the 23rd July, 1946, that an appointment is required, that there is no person available and fit in the Public Service to be promoted or transferred to fill the vacancy in question, and that the person named is a fit and proper person and duly qualified to fill the vacant office on probation for a period of three months, from and inclusive of 3rd July, 1946.

Sub-Matron and Nurse.

MARIA ELIZABETH CONFEGGI

to be a Sub-Matron and Nurse, Penal and Gaols Branch; a vacancy having occurred, and the Public Service Board having certified, on the 18th July, 1946, that an appointment is required, that there is no person available and fit in the Public Service to be promoted or transferred to fill the vacant office, and that the person named is entitled, under the provisions of the *Public Service Act 1928*, to be appointed to fill such vacancy on probation for twelve (12) months.

Attendant (Male).

NORMAN BAXTER WOOLCOCK

to be an Attendant (Male), General Division, Children's Welfare Branch; a vacancy having occurred, and the Public Service Board having certified, on the 17th July, 1946, that an appointment is required, that there is no person available and fit in the Public Service to be promoted or transferred to fill the vacant office, and that the person named is entitled, under the provisions of the *Public Service Act 1928*, to be appointed to fill such vacancy on probation for twelve (12) months, to date from and inclusive of the 5th November, 1945.

DEPARTMENT OF PUBLIC INSTRUCTION.

Packer.

JOHN JOSEPH GRAHAM

to be a Packer, General Division; a vacancy having occurred, and the Public Service Board having certified, on the 20th July, 1946, that an appointment is required, that there is no person available and fit in the Public Service to be promoted or transferred to fill the vacant office, and that the person named is entitled, under the provisions of the *Public Service Act 1928*, to be appointed to fill such vacancy on probation for six months, from and inclusive of the 5th November, 1945.

DEPARTMENT OF PUBLIC WORKS.

Quantity Surveyor.

LAURENCE CASEY

to be a Quantity Surveyor, Class "B," Professional Division; a vacancy having occurred, and the Public Service Board having certified, on the 31st July, 1946, that an appointment is required, that there is no person available and fit in the Public Service to be promoted or transferred to fill the vacant office, and that the person named is entitled, under the provisions of the *Public Service Act 1928*, to be appointed to fill such vacancy on probation for three months.

DEPARTMENT OF TREASURER.
Receivers of Revenue.

NORMAN JAMES SCANNELL
to be Receiver of Revenue, Swan Hill, *vice* R. H. Goss;
VICTOR ALAN PROPOSCH
to be Receiver of Revenue, Benalla, *vice* J. Mills;
JOHN MILLS
to be Receiver of Revenue, Wangaratta, *vice* N. J. Scannell;
ALFRED THOMAS RYALL
to be Receiver of Revenue, Kerang, *vice* L. S. Gallagher; and
LESLIE SAMUEL GALAGHER
to be Receiver of Revenue, Colac, *vice* G. Leahy.

Collector of Imposts.

ALFRED DUNBAVIN BUTCHER
to act as Collector of Imposts, Fisheries and Game Department, during the absence of F. Lewis, on leave.

Compositors.

ERNEST ALBERT SHAW and
DAVID LESLIE GIBSON
to be Compositors, General Division, Government Printing Office; vacancies having occurred, and the Public Service Board having certified, on the 29th July, 1946, that appointments are required, that there are no persons available and fit in the Public Service to be promoted or transferred to fill the vacant offices, and that the persons named are fit and proper persons and duly qualified to be appointed to fill such vacancies on probation for three months, to date from and inclusive of the 11th January, 1946.

Book Folder.

MARGARET VIOLET GARSON MACKELLAR
to be a Book Folder, General Division, Government Printing Office; a vacancy having occurred, and the Public Service Board having certified, on the 29th July, 1946, that an appointment is required, that there is no person available and fit in the Public Service to be promoted or transferred to fill the vacant office, and that the person named is entitled, under the provisions of the *Public Service Act 1928*, to be appointed to fill such vacancy on probation for six (6) months, to date from and inclusive of the 11th January, 1946.

Messengers.

ALBERT HECTOR LULY,
ALBERT LEONARD HEON,
STANLEY JAMES HOGGEN, and
JOHN WILLIAM NELSON
to be Messengers, General Division, Taxation Branch; vacancies having occurred, and the Public Service Board having certified, on the 31st July, 1946, that appointments are required, that there are no persons available and fit in the Public Service to be promoted or transferred to fill the vacant offices, and that the persons named are entitled, under the provisions of the *Public Service Act 1928*, to be appointed to fill such vacancies on probation for six months, to date from and inclusive of the 5th November, 1945.

DEPARTMENT OF WATER SUPPLY.
Commissioner of Waterworks Trust.

THOMAS HENDERSON
to be a Commissioner of the Avoca Waterworks Trust, and to hold office for a period of four years from the date hereof, subject to the provisions of the Water Acts.

C. W. KINSMAN,
Clerk of the Executive Council.
At the Executive Council Chamber,
Melbourne, the 20th August, 1946.

RESIGNATIONS.

HIS Excellency the Lieutenant-Governor of the State of Victoria, by and with the advice of the Executive Council thereof, has, by Orders made on the 20th day of August, 1946, accepted the resignations of the persons named hereunder of the offices mentioned, viz.:—

DEPARTMENT OF AGRICULTURE.

CHARLES POPE, Veterinary Officer, Classes "C" and "B," Professional Division, as an Officer of the Public Service of Victoria, such resignation to be effective from and inclusive of the 17th September, 1946.

DEPARTMENT OF HEALTH.
(MENTAL HYGIENE BRANCH.)

MARGARET MARY JENKINS, Nurse, Grade III., General Division, as an Officer of the Public Service of Victoria, from and inclusive of the 22nd July, 1946.
ALBERT POCOCK, Attendant, Grade II., General Division, as an Officer of the Public Service of Victoria, from and inclusive of the 16th June, 1946.

DEPARTMENT OF LANDS AND SURVEY.

JOHN DANIEL HOLLAND, Clerk, Fifth Class, Clerical Division, as an Officer of the Public Service of Victoria, from and inclusive of 21st August, 1946.

DEPARTMENT OF WATER SUPPLY.

ERNEST RAYMOND MEYER, Surveyor, Class "C," Professional Division, as an Officer of the Public Service of Victoria, from and inclusive of 12th September, 1946.
MICHAEL GEORGE HOGAN, Water Bailiff, General Division, as an Officer of the Public Service of Victoria, from and inclusive of 28th July, 1946.

C. W. KINSMAN,
Clerk of the Executive Council.
At the Executive Council Chamber,
Melbourne, the 20th August, 1946.

INSTRUCTOR (FEMALE), GENERAL DIVISION,
CHILDREN'S WELFARE DEPOT, ROYAL PARK,
DEPARTMENT OF CHIEF SECRETARY.

APPLICATIONS will be received by the Public Service Board from persons, who are qualified, for appointment to the above-mentioned position.

Salary.—£242 a year, less £32 a year for board and lodging, plus £20 cost of living adjustment. The rate is subject to variation in accordance with the rise or fall in the index numbers of the cost of living.

Duties.—To supervise the work carried out in the Sewing Room, including the manufacture of girls' clothing and other articles; to instruct senior girls in this work; to be responsible for the purchase and distribution of girls' ready-made apparel, and to keep the necessary stock records in relation thereto.

Qualifications.—To be a competent seamstress. To possess a good knowledge of the routine and stores practice at the Receiving Depot, or to have experience of the purchase and issue of clothing, &c., at a similar institution.

Applications (which should be accompanied by evidence of experience and qualifications, and a statement of date and place of birth) should be lodged at this office not later than Friday, the 13th September, 1946.

By order,
J. FRAZER,
Secretary.
Office of the Public Service Board,
Melbourne, 27th August, 1946.

PUBLIC SERVICE OF VICTORIA.—VACANCIES,
PROFESSIONAL DIVISION.

APPLICATIONS will be received by the Public Service Board from persons, who are qualified, for appointment to the under-mentioned positions:—

Deputy Superintendent of Weights and Measures, Class "C," Weights and Measures Branch, Department of Chief Secretary.

Yearly Salary.—£501, minimum; £579, maximum.

Duties.—To assist the Superintendent in the administration of the Weights and Measures Act, to have charge of the examination and testing of weights, measures, weighing instruments and measuring instruments, and to design special standardizing equipment.

Qualifications.—To possess a University degree in Science, with physics as a major subject, supplemented by some training in mechanical engineering, or, alternatively, a degree in Engineering with experience in a physical laboratory.

Science Master, Dookie Agricultural College, Class "C," Department of Agriculture.

Yearly Salary.—£449, minimum; £579, maximum.

Duties.—Under the direction of the Principal, to teach to the Diploma standard the subjects Chemistry and Physics and such other subjects as may be required; to share sports and house duties; and to engage in such other activities of the College as may be required.

Qualifications.—To possess a University degree and to have had sound teaching experience.

NOTE.—In addition to the salary rates quoted, a cost of living adjustment at the rate of £30 a year is payable. The rates are subject to variation in accordance with the rise or fall in the index numbers of the cost of living.

Applications (which should be accompanied by evidence of experience and qualifications, and a statement of date and place of birth) should be lodged at this office not later than Friday, the 6th September, 1946.

By order,
J. FRAZER,
Secretary.

Office of the Public Service Board,
Melbourne, 27th August, 1946.

**PUBLIC SERVICE OF VICTORIA.—VACANCIES,
CLERICAL DIVISION.**

APPLICATIONS will be received by the Public Service Board up to Friday, the 6th September, 1946, from officers of the Public Service of Victoria, who are eligible and qualified for appointment to the under-mentioned positions:—

Third Class Clerk, Motor Registration Branch, Office of the Chief Commissioner of Police, Department of Chief Secretary.

Duties.—To have charge of Third Party Insurance Registration Labels and Number Plate Sections, and to relieve the Cashier.

Qualifications.—To possess a thorough knowledge of the Motor Car and Motor Car (Third Party Insurance) Acts and the Regulations respecting Public Accounts, practical experience of mechanized accounting, and ability to direct and control a staff.

Third Class Clerk, Office of Titles, Department of Law.

Duties.—To have charge (under the supervision of the Branch Head) of the inquiry and amendment section of the Caveat Branch and of the registration of caveats, writs, and decrees.

Qualifications.—To possess a thorough knowledge of all claims having a caveatable interest in any land, lease, mortgage, or charge whether under (a) devises contained in wills, (b) intestacies, (c) agreements, or (d) unregistered instruments.

By order,
J. FRAZER,
Secretary.

Office of the Public Service Board,
Melbourne, 27th August, 1946.

Public Service Act 1928 (No. 3757), Sections 90 and 91.

EXEMPTIONS.

HIS Excellency the Lieutenant-Governor of the State of Victoria, by and with the advice of the Executive Council thereof, and upon the recommendation of the Public Service Board, has, by Orders made on the 20th day of August, 1946, exempted the officers specified hereunder from the provisions of sections 90 and 91 of the *Public Service Act 1928* (No. 3757):—

DEPARTMENT OF MINES.

Officers of the Accounts Branch, Department of Mines, who are required to work overtime—such exemption to be operative for the period from the 18th June, 1946, to the 31st July, 1946, both dates inclusive.

DEPARTMENT OF TREASURER.

Officers of the Accounts Branch, Department of Treasurer, who are required to work overtime in connexion with the closing of accounts for the financial year 1945-46, and the preparation of the estimates, budget papers, and finance statements—such exemption to be operative for the period from the 24th June, 1946, to the 18th September, 1946, both dates inclusive.

Nine (9) officers of the Taxation (Land Tax) Branch, Department of Treasurer, who were required to work overtime—such exemption to be operative for the period from the 29th April, 1946, to the 30th June, 1946, both dates inclusive.

C. W. KINSMAN,
Clerk of the Executive Council.

At the Executive Council Chamber,
Melbourne, the 20th August, 1946.

Act No. 3757, Section 66 (VIII).
**REGULATIONS.—CLASSIFICATION OF GENERAL
DIVISION.
CHAPTER VII.**

THE Public Service Board, in pursuance of the powers vested in it, hereby amends Chapter VII. of the Public Service Regulations as shown below, and submits the same for the approval of the Governor in Council:—

Department and Office.	Yearly Rate of Salary.	
	Minimum.	Maximum.
DEPARTMENT OF AGRICULTURE.	£	£
<i>Add—</i> Dairy Produce Inspector	449	501
<i>To take effect as from and inclusive of the 18th June, 1946.</i>		
<i>Add—</i> Seeds Inspector	293	397
<i>To take effect as from and inclusive of the 25th February, 1946.</i>		
DEPARTMENT OF CHIEF SECRETARY. CHILDREN'S WELFARE.		
<i>For—</i> Attendant (Male)	247	286
<i>Read—</i> Attendant (Male)	247	299
<i>To take effect as from and inclusive of the 1st September, 1946.</i>		

Department and Office.	Yearly Rate of Salary.		Increments.		
	Min.	Max.	After 1st Year.	After 2nd Year.	After 3rd Year.
DEPARTMENT OF HEALTH.	£	£	£	£	£
MENTAL HYGIENE.					
<i>General Staff—Females.</i>					
<i>Add—</i> Nurse, Chief, Receiving House, Ballarat	299*
<i>To take effect as from and inclusive of the 23rd July, 1946.</i>					

Department and Office.	Yearly Rate of Salary.	
	Minimum.	Maximum.
DEPARTMENT OF PUBLIC INSTRUCTION.	£	£
<i>Add—</i> Packer	247	260
<i>To take effect as from and inclusive of the 5th November, 1945.</i>		
<i>Add—</i> Storeman, Assistant	260	273
<i>To take effect as from and inclusive of the 5th November, 1945.</i>		

* Less deductions for quarters, allowances, and rations.

D. D. PAINE, Chairman.
J. FRAZER, Secretary.

Office of the Public Service Board,
Melbourne, 22nd, 23rd, 29th, and 30th July, 1946.

Approved by the Governor in Council,
20th August, 1946.

C. W. KINSMAN,
Clerk of the Executive Council.

Act No. 3757, Section 66 (1).
REGULATIONS.—PROFESSIONAL DIVISION.
CHAPTER II.

THE Public Service Board, in pursuance of the powers vested in it, hereby amends Chapter II. of the Public Service Regulations as shown below, and submits the same for the approval of the Governor in Council:—

Department and Office.	Yearly Rate of Salary.	
	Minimum.	Maximum.
DEPARTMENT OF AGRICULTURE.		
CLASSES "O" AND "B."		
<i>Add—</i> Senior Entomologist	492	625
<i>To date from and inclusive of the 15th April, 1946.</i>		
DEPARTMENT OF PUBLIC WORKS.		
CLASS "B."		
<i>Add—</i> Quantity Surveyor	600	650
<i>To take effect as from and inclusive of the 31st July, 1946.</i>		
DEPARTMENT OF TREASURER.		
CLASS "C."		
<i>For—</i> Assistant Estates Officer, Housing Commission	384	444
<i>Read—</i> Assistant Estates Officer, Housing Commission	384	516
<i>To take effect as from and inclusive of the 1st July, 1946.</i>		
DEPARTMENT OF WATER SUPPLY.		
CLASS "C."		
<i>Add—</i> Hydrographer	384	420
<i>To take effect as from and inclusive of the 29th July, 1946.</i>		

D. D. PAINE, Chairman.
J. FRAZER, Secretary.

Office of the Public Service Board,
Melbourne, 22nd, 29th, and 31st July, 1946.

Approved by the Governor in Council,
20th August, 1946.
C. W. KINSMAN,
Clerk of the Executive Council.

Hospitals and Charities Act 1928 (No. 3699).
PETITION TO INCORPORATE AIRLIE MATERNITY HOSPITAL, CITY OF HEIDELBERG.

IT is hereby notified, in accordance with the provisions of the *Hospitals and Charities Act 1928 (No. 3699)*, that the Minister of Health of Victoria has received a petition signed by not less than twenty-five contributors to Airlie Maternity Hospital, City of Heidelberg, an institution capable of incorporation under the provisions of the said Act, praying that the said hospital be incorporated, and that if no counter-petition, signed by an equal or greater number of contributors is lodged with the said Minister of Health within one month after the publication of this notice, the Governor in Council may, by Order published in the *Government Gazette*, declare the contributors for the time being to the said institution to be a body corporate, under Part II. of the *Hospitals and Charities Act 1928 (No. 3699)*.

Dated, at Melbourne, this 21st day of August, 1946.

WM. BARRY,
Minister of Health.

Dairy Products Acts.
QUOTAS FOR BUTTER AND CHEESE.
BUTTER QUOTA.

I WILLIAM GEORGE MCKENZIE, Minister of Agriculture, in the State of Victoria, after consultation with the Victorian Dairy Products Board, and after ascertaining that the supply and distribution of butter at reasonable prices to consumers thereof in Victoria will be ensured, hereby determine a quota for butter as follows:—

The proportion shall be Fifty-seven point two nine per cent.

The period for which this quota is to operate shall be the month of September, 1946.

CHEESE QUOTA.

I WILLIAM GEORGE MCKENZIE, Minister of Agriculture, in the State of Victoria, after consultation with the Victorian Dairy Products Board, and after ascertaining that the supply and distribution of cheese at reasonable prices to consumers thereof in Victoria will be ensured, hereby determine a quota for cheese as follows:—

The proportion shall be Fifty-two point nine four per cent.

The period for which this quota is to operate shall be the month of September, 1946.

W. G. MCKENZIE,
Minister of Agriculture.

22nd August, 1946.

SUBJECT to any necessary excisions, &c., it is proposed to grant the following lease:—

8992, Castlemaine; Wilfred Albert Clayton; 53a. 1r. 8p., Parish of Morang.

APPLICATIONS FOR MINING LEASES ABANDONED.

8167, Beechworth; Montague Neville Lea and William James Bell; 40 acres at Slaughter Yard Creek.
8618, Beechworth; Montague Neville Lea and William James Bell; 30 acres at Slaughter Yard Creek.

APPLICATION FOR WATER RIGHT LICENCE ABANDONED.

1196, Water Right Licence; Montague Neville Lea and William James Bell; 1 acre in the Shire of Oxley.

CONSENT GRANTED TO TRANSFER MINING LEASE.

8853, Castlemaine; from W. J. Clayton, L. Murphy, F. L. Smyth to William James Clayton.

TAILINGS LICENCES EXPIRED.

1675, Tailings Licence; Precious Metals Recovery No Liability.
1870, Tailings Licence; Hume Pipe Company (Australia) Ltd.
1882, Tailings Licence; Ernest Arthur Waller.

MINING LEASES GRANTED.

11199, Bendigo, Sydney Phillip Morshead.
5477, Gippsland; Stuart Frank Waterhouse and Flora Mili-cent Wilson and Margaret Eileen Wilson.

TAILINGS LICENCES GRANTED.

1826, Tailings Licence; Edward Holland.
1907, Tailings Licence; W. B. Nation and E. J. Bussey (in lieu of Tailings Licence No. 1616, expired).
1929, Tailings Licence; Cecil Vernon Shuttleworth (in lieu of Tailings Licence No. 1634, expired).
1932, Tailings Licence; Gold Dumps Pty. Ltd. (in lieu of Tailings Licence No. 1660, expired).
1943, Tailings Licence; Gold Dumps Pty. Ltd. (in lieu of Tailings Licence No. 1632, expired).
1946, Tailings Licence; Mervyn Hart Harvey (in lieu of Tailings Licence No. 1647, expired).
1953, Tailings Licence; Arthur Roy Milne.
1954, Tailings Licence; Robert Allan Spence.
1961, Tailings Licence; Maude and Yellow Girl Gold Mining Company N. L.
1966, Tailings Licence; The President, Councillors, and Rate-payers of the Shire of Tullaroop.

W. G. MCKENZIE,
Minister of Mines.

Transport Regulation Acts.
TRANSPORT REGULATION BOARD.

NOTICES OF PUBLIC HEARINGS.

NOTICE is hereby given that the applications lodged by the persons named below for licences to operate the commercial passenger or goods vehicles on the route or routes, or in the manner set out opposite their names, will be heard at a time and place to be communicated to the parties:—

Name of Applicant; Nature of Application.

- BLOMME, F. D. J.** (trading as Abasias Motors); 2 commercial passenger vehicles, with seating capacity for 5 persons, to operate as follows:—(a) separate and distinct fares 5 miles Ararat; (b) private hire within 50 miles Ararat.
- BOHN, R.**; 1 commercial passenger vehicle, with seating capacity for 23 persons, to operate between Picola and Nathalia, via Picola West, Picola North, and Yielma.
- BOHN, R.**; application for variation of licence A.828 to delete section between Barmah East and Nathalia, via Picola, Picola West, Picola North, and Yielma, and to include Narioka.
- COFFIELD, R.**; 1 commercial passenger vehicle, with seating capacity for 5 persons, to operate as a stage omnibus between Corowa and Melbourne.
- DAVIES, H. E.**; 1 commercial passenger vehicle, to be purchased, to operate—(a) separate and distinct fares 5 miles Shepparton, (b) private hire 50 miles Shepparton.
- DEWAR, J.**; application for renewal of licences A.816 and A.1394, lodged as follows:—A.816—(a) school children Rochester-Echuca, (b) charter 25 miles Rochester; A.1394—(a) Lockington-Echuca, (b) charter 25 miles Lockington.
- DYSON'S PENINSULA MOTORS PTY. LTD.**; application for variation of "A" licences to include trips when required from Balnarring, via Stumpy Gully-road, Moorooduc township, and Three Chain-road to Frankston, and return via the same route.
- FALCONER, H. B.**; 1 commercial passenger vehicle, with seating capacity for 18 persons, as a substitute vehicle for licensed vehicle.
- FANEKO, H. J.**; 1 commercial passenger vehicle, to be purchased, to operate as a stage omnibus between Melbourne and Kilmore.
- FLOOD, T. R.**; 1 commercial passenger vehicle, with seating capacity for 27 persons, to operate as follows:—(a) for the carriage of school children between Bendigo and Bagshot, (b) as a substitute vehicle for licensed vehicles A.914, A.397, A.281.
- LANE'S BUS SERVICE**; application for variation of licence A.147 to include operations as follows:—(a) tours—Warrnambool-Grampians, Warrnambool-Lorne and Apollo Bay, Warrnambool-Port Campbell, Warrnambool-Mt. Gambier, (b) between Warrnambool and Colac on race days, (c) private hire to Terang, Mortlake, Camperdown, Portland, Hamilton.
- LEWIS, A. E.**; 1 commercial passenger vehicle, with seating capacity for 25 persons, as a substitute vehicle for licensed vehicle.
- MANSFIELD-YEA PASSENGER SERVICE PTY. LTD.**; 1 commercial passenger vehicle, with seating capacity for 32 persons, to operate as follows:—(a) as a substitute vehicle for licensed vehicles, (b) under charter conditions within 20 miles Yea and between Yea and Kilmore, Broadford, Seymour, Nagambie, and Marysville, (c) as an additional vehicle on the route Lilydale, Yea, Mansfield at week-ends and public holidays. (This replaces the application published in the *Government Gazette* of the 19th June.)
- MILDURA BUS LINES PTY. LTD.**; 1 commercial passenger vehicle, with seating capacity for 11 persons, to be purchased, to operate on tours to be arranged within a radius of 20 miles of Mildura.
- MONTI, S. A.**; 1 commercial passenger vehicle, with seating capacity for 11 persons, for the carriage of school children between Pine Lodge North and Shepparton High School.
- MURRAY VALLEY COACHES PTY. LTD.**; 1 commercial passenger vehicle, with seating capacity for 8 persons, to operate as a substitute vehicle for licensed vehicles.
- MURRAY VALLEY COACHES PTY. LTD.** (trading as Mildura Hire Cars); 1 commercial passenger vehicle, with seating capacity for 27 persons, to operate—(a) for the conveyance of tourist traffic at separate and distinct fares within 20 miles Mildura, (b) charter conditions within 20 miles Mildura.
- RAMSAY, J.**; 1 utility vehicle to operate as follows:—(a) for the carriage of general goods within 90 miles Rupanyup, (b) two passengers within a radius of 28 miles of Rupanyup, (c) for the carriage of own goods such as tires and motor accessories from Horsham to Rupanyup.
- SCOTT, R. W.**; application for variation of "A" licences to operate as a stage omnibus between Castlemaine and Melbourne, via Calder Highway on each and every day that no train is provided, leave Castlemaine 8.30 a.m., leave Melbourne 6 p.m.
- STANLEY, J. E.**; application for renewal of licence A.1225, lodged as follows:—"Chinkapook-Daytrap."
- TAYLFORTH, M.**; application for variation of licence A.1271—(1) to include day tours between—(a) Shepparton and Mt. Buffalo and return, (b) Shepparton and Hume Weir and return, (c) Shepparton, via Benalla, Tatong, Tolmie, Whitta, Powers Lookout and Caves, Whitfield, Harratt, Angleside, and Wangaratta, (d) Shepparton and Mt. Buller, via Benalla, and return, (e) Shepparton and Mt. Hotham, via Benalla, and return, (2) under charter conditions to the following places:—Numurkah, Katamatite, Yabba, Violet Town, Euroa, Benalla, Goulburn Weir, Rushworth, Stanhope, Tongala, Wyuna, Nathalia, Picola, Murchison, Kyabram, Nagambie, Strathgogie.
- TAYLFORTH, M.**; application for variation of licence A.1236 to operate under charter conditions to the following places:—Nagambie, Creighton, Longwood, Euroa, Dookie, Katandra, Benalla, Numurkah, Nathalia, Picola, Wyuna, Seymour, Tongala, Corop, Rochester, Baileston.
- THOMPSON, E. N. & E. F.**; application for variation of "A" licences to delete 9 a.m. Sunday trip and to operate week days—leave The Basin 6 a.m., 7 a.m., 10 a.m., 12.45 p.m., leave Boronia 6.15 a.m., 7.15 a.m., 11 a.m., 1 p.m., Sundays—leave The Basin 8.45 a.m., leave Boronia 9.10 a.m.
- WIGGINS, H. H.**; application for variation of licence A.881—1. To include charter conditions within 20 miles of Port Campbell and Timboon, and to Warrnambool, Terang, Mortlake, Camperdown, Colac, and Cobden. 2. Specified tours as follows:—(1) a round tour commencing at Port Campbell or Timboon and thence to Loch Ard Gorge, via the Princetown-road, and thence returning via the same route, fare 3s., 4 hours, (2) a round tour commencing at Port Campbell or Timboon and thence to London Bridge and Peterborough, and return, fare 4s., 4 hours, (3) a round tour commencing at Port Campbell or Timboon and thence to Warrnambool, via Newfield, Timboon, Nullawarre, and Allansford, and thence returning via the same route, fare 6s., 8 hours, (4) a round tour commencing at Port Campbell or Timboon and thence via Princetown, Lower Gellibrand, and Crowes to Lavers Hill, and thence via Beech Forest to Apollo Bay, and thence returning to Lavers Hill via Hordern Vale, and thence via the same route on the forward journey to Port Campbell or Timboon, fare 8s., 9 hours, (5) a round tour commencing at Port Campbell or Timboon and thence via Princetown and Lower Gellibrand and Glen Aire to Cape Otway, and returning via the same route, fare 6s., 6 hours, (6) a round tour commencing at Port Campbell or Timboon and thence via Princetown, Lower Gellibrand, and Glen Aire to Cape Otway, and returning via the same route, fare 10s., 9 hours, (7) a round tour commencing at Port Campbell or Timboon and thence to Apollo Bay via the same route as defined under tour No. 4, and thence continuing on to Lorne via the Ocean-road, and thence returning via the same route, fare 10s., 10 hours, (8) a round tour commencing at Port Campbell or Timboon and thence to Camperdown via Newfield and Timboon, and returning via the same route, fare 6s., 8 hours.
- WIGGINS, H. H.**; application for variation of licence A.362—(a) to have included the ability to operate in addition to the 20 miles charter of Port Campbell and Timboon to Warrnambool, Terang, Mortlake, Camperdown, Colac, and Cobden, (b) a one-day tour to Portland and The Grampians, Portland 15s., The Grampians £1 return.
- WIGGINS, H. H.**; application for renewal of licence A.881, lodged as follows:—(a) Port Campbell-Timboon, (b) Port Campbell-Princetown, (c) mails, newspapers, and parcels up to 1 cwt., (d) specified tours, (e) charter 20 miles Port Campbell and Timboon.
- CLISSOLD, C.**; application for renewal of licence D.1581 (expired 24th June, 1946) allowing operations for the carriage of general goods within 35 miles Lorne.
- CUNNINGHAM, A. W.**; 1 commercial goods vehicle to operate as follows:—(a) from the Otway district to Colac—live stock, (b) from Colac to Otway district—stock feed.
- FOWLER, T. & SONS**; 2 commercial goods vehicles for the carriage of—(a) general goods 20 miles Skipton, (b) sheep and lambs from Skipton to Ballarat and Geelong, (c) liquid fuel from Melbourne to Skipton.
- CHECCUCCI, D. J.** (trading as King's Dry Cleaners); 1 panel van, with load capacity for 8 cwt., for the carriage of articles of clothing, &c., for dry cleaning or dying or having been dry cleaned or dyed on the following routes:—(a) Bendigo, Echuca, Shepparton, Rushworth, (b) Bendigo, Seymour, Kilmore, Lancefield, Woodend, Kyneton, Castlemaine, (c) Bendigo, Ararat, Stawell, St. Arnaud, Charlton, Boort, Pyramid Hill.

WARRNAMBOOL BUS LINES; 1 semi-trailer commercial passenger vehicle, to be purchased, to operate as an additional vehicle on all licensed routes in accordance with the terms and conditions of existing licences, the vehicle not to be operated under charter conditions or on round tours except on the round tour between Warrnambool and Port Campbell.

BATSON, E. W.; 2 commercial goods vehicles for the carriage of—(a) sawn timber from Kennett River to Deans Marsh Railway Station, (b) sawn timber from Kennett River to Geelong when quantity is less than a rail truck.

PECK, J. M. & J.; 1 commercial goods vehicle for the carriage of—(a) general goods 20 miles Mildura, (b) trellis posts, wood, mallee roots from Werrimull to Mildura.

TRIGGER, M. E.; 1 commercial goods vehicle, with load capacity of 80 cwt., to operate between Pinnaroo, South Australia, and Bendigo, purchasing wool and skins on route and consigning by rail from Bendigo.

PATERSON'S PTY. LTD., Melbourne; 1 commercial goods vehicle for the carriage of furniture and furnishings within a radius of 50 miles from applicant's branch stores at Ballarat, Colac, Horsham, Warragul, Wangaratta, Echuca, Swan Hill, respectively.

LAWN, C. H.; 1 commercial goods vehicle for the carriage of posts, strainers, rack timber, firewood, and driftwood, from Mildura to Werrimull South, or areas allocated by the Victorian Forestry Commission.

WINFIELD, V. A.; 1 commercial goods vehicle for the carriage of mails, parcels, and cream, on the route between Beulah and Pella, via Kenmare, Wheatlands, Rainbow, Pijick, and Kurnbrunn.

JOLLY, W. F.; application for renewal of licence D.1124' (expired 23rd August, 1946), allowing operations as follows:—(a) General goods 25 miles Geelong, (b) from and to places within 5 miles Anakie to Melbourne—primary produce, live stock, and wattle bark, (c) from places situate in the City of Melbourne to properties within 5 miles Anakie—goods required and used by graziers and farmers on such properties, and not otherwise.

Notice of any objection should be forwarded to reach the Secretary to the Board not later than Wednesday, the 11th September, 1946.

E. V. FIELD,
Secretary.

Exhibition Buildings, Rathdown-street, Carlton, 27th August, 1946.

BUSINESS AGENTS ACT 1930.

IN accordance with the provisions of the above-mentioned Act, the following is published for general information:—

(a) List of Persons to whom Business Agents' Licences have been issued for the year 1946 during the month of July.

Name.	Principal Place of Business (Registered Office).	Name of Firm or Partnership.	Date from which Licence is Effective.
Archer, J. D.	64 Elizabeth-street, Melbourne		24.7.46
Baillie, T. O.	Yarrowonga	T. J. Baillie and Sons	23.7.46
Clayton, V.	Gray-street, Hamilton		24.7.46
Clyne, A. H.	422 Collins-street, Melbourne	A. H. Clyne and Co.	1.7.46
Crosbie, Margt.	473 Chapel-street, Prahran		16.7.46
Dellaca, J. A.	4 Grenville-street, Ballarat		23.7.46
Enticott, W. J.	20 Melbourne-road, Dandenong		29.7.46
Friedman, J.	70 Baillie-street, Horsham		16.7.46
Guest, A. P.	79-81 Moorabool-street, Geelong	Marshall and Guest	24.7.46
Harpham, S. R.	240 Hare-street, Echuca	F. W. Young and Co.	2.7.46
Howden, G. B.	Point Lonsdale		24.7.46
Kanako, G. R.	23 Marine-parade, St. Kilda		19.7.46
Klemm, R. J.	252 High-street, St. Kilda		18.7.46
Lawes, Winifred	38 Dalgety-street, St. Kilda		4.7.46
Paul, K.	281 Collins-street, Melbourne		22.7.46
Pelton, G. B.	80 Swanston-street, Melbourne	F. Blagdon and Pelton	9.7.46
Pelton, Gwen	80 Swanston-street, Melbourne	F. Blagdon and Pelton	9.7.46
Poulson, D. H.	Rushworth	Poulson's	16.7.46
Richardson, E. R.	300 Orrong-road, Caulfield North		15.7.46
Robertson, H. M.	583 Chapel-street, South Yarra		30.7.46
Rodda, W. T.	Scott-street, Warracknabeal		23.7.46
Shanahan, E. V.	472 Bourke-street, Melbourne	Ajax Estate and Business Agents	2.7.46
Sharley, J. W.	88 Thompson-street, Hamilton	J. Will Sharley	18.7.46
Taylor, S. V.	Hopetoun		25.7.46
Webber, R. R.	16 Studley-avenue, Kew		17.7.46
Williams, R. A.	Elmore		3.7.46

(b) List of Persons to whom Sub-Agents' Licences under the Business Agents Act have been issued for the year 1946 during the month of July.

Name.	Registered Address.	Date from which Licence is Effective.	Name.	Registered Address.	Date from which Licence is Effective.
Blair, L. A.	100 Queen-street, Melbourne	29.7.46	Miller, M. W.	41 Marine-parade, St. Kilda	3.7.46
Doonan, A.	30 King-street, North Fitzroy	9.7.46	O'Dowd, N.	Piper-street, Kyneton	30.7.46
Fisher, P. G.	198 Glenhuntly-road, Elwood	5.7.46	Osborne, B.	11 Palmer-street, Jolimont	11.7.46
Gillham, L. P.	57 Campbell-road, Hawthorn East	24.7.46	Pluckhahn, P. J.	303 Rathdown-street, Carlton	31.7.46
Kirwan, S. A.	338 Glenferrie-road, Hawthorn	17.7.46	Parry, C. T.	109 Walpole-street, Kew	3.7.46
MacMahon, P. J.	144 Canterbury-road, Middle Park	29.7.46	Ross, W. A.	Melrose-street, Sandringham	23.7.46
Matthews, A. V. S.	95 Rushall-crescent, North Fitzroy	4.7.46	Wilson, A. A.	20 Melbourne-road, Dandenong	29.7.46

The Treasury,
Melbourne, 23rd August, 1946.

F. MADDERN,
Registrar.

REAL ESTATE AGENTS ACTS.

IN accordance with the provisions of the above-mentioned Acts, the following is published for general information:—

(a) List of Persons to whom Real Estate Agents' Licences have been issued for the year 1946 during the month of July.

Name.	Principal Place of Business (Registered Office).	Name of Firm or Partnership.	Date from which Licence is Effective.
Archer, J. D.	64 Elizabeth-street, Melbourne		24.7.46
Baillie, T. O.	Yarrawonga	T. J. Baillie and Sons	23.7.46
Burke, R. W. E.	30 Royal-parade, Pascoe Vale South		4.7.46
Clayton, V.	Gray-street, Hamilton		24.7.46
Clyne, A. H.	422 Collins-street, Melbourne	A. H. Clyne and Co.	1.7.46
Crosbie, Margt.	473 Chapel-street, Prahran		16.7.46
Eldridge, A. D.	Lloyd-street, Dimboola	A. D. Eldridge	10.7.46
Fox, T. C.	33 Hillside-parade, North Essendon	T. C. Fox	12.7.46
Friedman, J.	Baillie-street, Horsham		16.7.46
Gilfillan, N. K.	472 Bourke-street, Melbourne		25.7.46
Guest, A. P.	79-81 Moorabool-street, Geelong	Marshall and Guest	24.7.46
Harpham, S. R.	240 Hare-street, Echuca	F. W. Young and Co.	2.7.46
Howden, G. B.	Point Lonsdale		24.7.46
Kanake, G. R.	23 Marine-parade, St. Kilda		19.7.46
Klemm, R. J.	252 High-street, St. Kilda		18.7.46
Lawes, Winifred	38 Dalgety-street, St. Kilda		4.7.46
MacDonald, D.	Upper Beaconsfield		5.7.46
McCasker, R.	Main-road, Belgrave		5.7.46
O'Dockery, T. H.	271 Lonsdale-street, Melbourne	Valmore Business Agency	4.7.46
Parke, K.	84 Hampton-street, Hampton	G. W. Browning	24.7.46
Paul, K.	281 Collins-street, Melbourne		22.7.46
Pelton, G. B.	80 Swanston-street, Melbourne	F. Blagdon and Pelton	9.7.46
Pelton, Gwen	80 Swanston-street, Melbourne	F. Blagdon and Pelton	9.7.46
Phillips, H. A.	168 Wattle Valley-road, Hartwell		23.7.46
Richardson, W. E.	300 Orrong-road, Caulfield North		15.7.46
Robertson, H. M.	583 Chapel-street, South Yarra		30.7.46
Rodda, W. T.	Scott-street, Warracknabeal		23.7.46
Shanahan, E. V.	472 Bourke-street, Melbourne	Ajax Estate and Business Agents	2.7.46
Sheldrick, G. A.	318 High-street, Preston		3.7.46
Simpson, A. E. L.	4 Bank-place, Melbourne		4.7.46
Smith, J. A.	426 Station-street, Box Hill		4.7.46
Taylor, S. V.	Hopetoun		25.7.46
Turner, J. D.	Towong-street, Tallangatta		16.7.46
Vaughan, F. A.	37 Wattle Valley-road, Canterbury		4.7.46
Webber, R. R.	16 Studley-avenue, Kew		17.7.46
White, R. T.	9 Bair-street, Leongatha		10.7.46

(b) List of Persons to whom Sub-Agents' Licences under the Real Estate Agents Acts have been issued for the year 1946 during the month of July.

Name.	Registered Address.	Date from which Licence is Effective.	Name.	Registered Address.	Date from which Licence is Effective.
Allen, B. D.	29 Arthur-avenue, Middle Brighton	25.7.46	MacMahon, P. J.	144 Canterbury-road, Middle Park	29.7.46
Berkley, J. R.	25 Esplanade, Elwood	11.7.46	McPherson, O. W.	58 Welsford-street, Shepparton	8.7.46
Blair, L. A.	100 Queen-street, Melbourne	29.7.46	Mason, S.	6 Rockbeare-grove, Ivanhoe	1.7.46
Brown, W. J. H.	6 Leonard-street, Preston	3.7.46	Matthews, A. V.	95 Rushall-orescent, North Fitzroy	4.7.46
Collins, J. B.	157 Ryrie-street, Geelong	9.7.46			
Craig, R. C.	17 Roberts-street, Northcote	9.7.46	Meagher, G. J.	23 Lillimur-road, Ormond	26.7.46
Doonan, A.	30 King-street, North Fitzroy	9.7.46	Meehl, F. R.	Drouin	19.7.46
Ferguson, P. P.	45 Barkly-street, Mornington	12.7.46	Miller, M. W.	41 Marine-parade, St. Kilda	3.7.46
			Muir, G. B.	St. Arnaud	9.7.46
Fisher, P. G.	198 Glenhuntly-road, Elwood	5.7.46	O'Dowd, N.	Piper-street, Kyneton	30.6.46
Fitzgerald, B. E.	337 St. Kilda-street, Brighton	26.7.46	Osborne, B.	11 Palmer-street, Jolimont	11.7.46
Fox, A. A.	6 Favril-street, Hampton	24.7.46	Osborne, R. A.	7 Edwards-street, Burwood	4.7.46
Gardiner, G. A.	Euroa	12.7.46	Parker, J. E.	9 Browning-street, St. Kilda	4.7.46
Giuliano, F.	88 Thompson-street, Hamilton	18.7.46	Parry, C. T.	109 Walpole-street, Kew	3.7.46
Handley, E. J.	Foster	25.7.46	Phillips, H. W.	Box 32, Leongatha	25.7.46
Harcocan, J. E.	21 Albert-street, St. Kilda	29.7.46	Piper, A. H. L.	Cressy-road, Camperdown	19.7.46
Hooper, M. A.	Flat 8, 410 St. Kilda-road, Melbourne	2.7.46	Pluckhahn, P. J.	303 Rathdown-street, Carlton	31.7.46
			Sandford, J. E.	6 Grandview-grove, Armadale	12.7.46
Kirwan, S. A.	338 Glenferrie-road, Hawthorn	17.7.46	Scott, Ruby M. A.	161 Toorak-road, South Yarra	16.7.46
Leggo, James R.	5 Plumber-road, Mentone	2.7.46	Shatwell, W. C. D.	24 Moorabbin-road, Mentone	2.7.46
Lindsey, J. R. R.	"Lynton," Bessiebell	16.7.46	Thomas, Glynne	Bamawm	2.7.46
Macaulay, R. N.	135 Alexandra-avenue, South Yarra	16.7.46	Tiernan, J.	56 Ryley-street, Wangaratta	22.7.46
			Varcoe, Ailea G.	20 Showers-avenue, Chelsea	15.7.46
McDonald, J. W.	Branxholme	18.7.46	White, C. W.	4 Gladwood-street, Ascot Vale	23.7.46
S.			Wigley, Esme M.	297 Beach-road, Black Rock	30.7.46
McLeod, D. B.	62 Octavia-street, St. Kilda	23.7.46	Wilson, A. A.	20 Melbourne-road, Dandenong	22.7.46
			Young, A. C. E.	10 Belford-street, St. Kilda	2.7.46

The Treasury,
Melbourne, 23rd August, 1946.

F. MADDERN,
Registrar.

AUCTION SALES ACT 1928.

GEELONG.—Notice is hereby given that a Special Meeting of Justices will be held at the Court House, Little Malop-street, Geelong, on Friday, the 20th day of September, 1946, at Ten o'clock in the forenoon, to consider the applications of Percy Frederick White, of care of Dennys, Lascelles Limited, Geelong, and Howard James Prescott, of care of Strachan and Co. Limited, Geelong, for auctioneers' licences. Dated at Geelong, this 23rd day of August, 1946.—A. G. GLASSON, Clerk of Petty Sessions.

GEELONG.—Notice is hereby given that a Special Meeting of Justices will be held at the Court House, Little Malop-street, Geelong, on Friday, the 20th day of September, 1946, at Ten o'clock in the forenoon, to consider the applications of William Henry Orchard and John Davenport Dennett Fisher, both of 25 Moorabool-street, Geelong, for auctioneers' licences. Dated at Geelong this 20th day of August, 1946.—A. G. GLASSON, Clerk of Petty Sessions.

AUCTION SALES ACT 1928.

SUPPLEMENTARY List of Persons to whom Auctioneers' Licences have been issued for the year 1946 during the month of July:—

Name.	Address.	Date of Issue.
Arnold, C. W.	212 Chapel-street, Prahran	23.7.46
Baird, C. A. K.	Malop-street, Geelong	16.7.46
Cooper, A. E.	8 Premier-avenue, Mitcham	5.7.46
Driscoll, G. H.	3 Munro-street, Black Rock	24.7.46
Fairbairn, L.	77 Athol-street, Moonee Ponds	26.7.46
Greenberg, H.	Nelson-street, Nhill	29.7.46
McKinley, C.	Charlton	3.7.46
Paterson, I. B.	82 Moorabool-street, Geelong	17.7.46
Stewart, H. J. B.	c/o H. E. B. Thomas, Warburton	8.7.46
Williams, K. H. B.	Dimboola	12.7.46
Witham, A. H.	43 Shelley-street, Elwood	4.7.46
McPherson, O. W.	Shepparton	11.7.46

The Treasury,
Melbourne, 23rd August, 1946.

A. T. SMITHERS,
Director of Finance.

Local Government Act 1928, Part 42, Section 858.

LICENCES TO OCCUPY UNUSED ROADS.

NOTICE is hereby given that Licences to occupy Unused Roads have been issued to the following approved applicants, and that the Licence Fee specified in each case has been received by the Accountant, Lands Department, Melbourne, C.2.

Number of Licence.	Name and Address of Licensee.	Municipality.	Parish.	Abutting— Allotments and Sections.	Area.	Fee for Licence.			Date of Issue of Licence.	Date of Expiry of Licence.
						£	s.	d.		
35071	Hastings, C. A. and W., Warragul	Warragul	Warragul	Portion between 124 and 125	A. B. P. 1 2 0	£	s.	d.	1.1.46	31.12.48
35072	Cox, E. J., Koo-wee-rup	Cranbourne	Koo-wee-rup	South of 23, 24, section L	1 0 0	0	10	0	1.1.46	31.12.48
35073	McAlpine, L., Longwarry	Buln Buln	Drouin West	North of 1, section 15 (Township of Longwarry)	0 2 0	0	4	0	1.1.46	31.12.48
35074	Cochrane, R. A., Strezlecki	Korumburra	Allambee	West of 83c	1 2 0	0	2	6	1.1.46	31.12.48
35075	Haw, H. N., Mirboo South	Mirboo	Mardan	South of 15	6 3 0	0	10	3	1.1.46	31.12.48
35076	Breheny, M. J., Bunyip	Berwick	Koo-wee-rup East	South-east of 12	0 2 0	0	3	9	1.1.46	31.12.48
35077	Bon, D. (Mrs.), Drouin	Buln Buln	Drouin West	South of 52a	3 2 0	0	10	0	1.7.46	30.6.49
35078	Scale, H. C., Fumina South, via Moe	Narracan	Fumina	Between 5 and 6	4 0 0	0	8	0	1.1.46	31.12.48
35079	Gay, G., Foster	South Gipps- land	Wonga Wonga South	West of 27c, section C	4 0 0	0	12	0	1.1.46	31.12.48
35080	Dean, H. J., Bulla	Bulla	Bulla Bulla	East of 10, section 12 (Township of Bulla)	0 2 0	0	5	0	1.1.46	31.12.48
35081	McDonald, A. M. (Mrs.), Vervale	Berwick	Koo-wee-rup East	South of 19, section N	0 1 20	0	2	6	1.1.46	31.12.48
35082	Pattinson, V. S. (Mrs.), Tarra Valley	Alberton	Bulga	East of 8	5 0 0	5	0	0	1.1.46	31.12.48
35083	Anderson, W. F., Wonga, via Foster	South Gipps- land	Wonga Wonga	Between 26n and 26n, and between 26n and 6 (part)	8 0 0	1	0	0	1.1.46	31.12.48
35084	Kelliher, D. P., Neerim South	Buln Buln	Neerim	Western portion north of 40	3 0 0	0	7	6	1.1.46	31.12.48
35085	McNeil, G. A., Warragul	Warragul	Drouin East	North of 24, section A	1 0 0	0	7	6	1.1.46	31.12.48
35086	Mowat, G. R. and H. M., Trafalgar	Narracan	Yarragon	Between main drain and northern boundary of 7, section E	0 3 0	0	4	6	1.1.46	31.12.48
35087	Aeschlimann, S., Arawata	Korumburra	Korumburra	South of 11	1 2 0	0	3	9	1.1.46	31.12.48
35088	Cox, E. J., Koo-wee-rup North	Cranbourne	Koo-wee-rup	18, section L	1 0 0	0	10	0	1.1.46	31.12.48
35089	Cornthwaite, J. R., Allambee Reserve, via Mirboo North	Mirboo	Allambee East	North-east of 15	2 2 0	0	5	0	1.1.46	31.12.48
35090	Henwood, R. S., Ripplebrook	Buln Buln	Longwarry	North of 67	3 2 0	0	3	6	1.1.46	31.12.48

L. W. GALVIN,
Commissioner of Crown Lands and Survey.

Department of Lands and Survey (Unused Roads and Water Frontages Branch),
Melbourne, 22nd August, 1946.

Local Government Act 1928, Part 42, Section 858.

LICENCES TO OCCUPY WATER FRONTAGES.

NOTICE is hereby given that Licences to occupy Water Frontages have been issued to the following approved applicants, and that the Licence Fee specified in each case has been received by the Accountant, Lands Department, Melbourne, C.2.

Number of Licence.	Name and Address of Licensee.	Municipality.	Parish.	Abutting— Allotments and Sections.	Fee for Licence.	Date of Issue of Licence.	Date of Expiry of Licence.
					£ s. d.		
21721	Whadcoat, Alex., P.O. Box 2, Lakes Entrance	Tambo	Colquhoun	Lake Tyers, part 4, section B	1 2 6	1.1.45	31.12.47
21722	Reed, S. J., "Melrose," Delegate River	Orbost	Kirkenong	Delegate River, 4c, 4b, 5b	1 0 0	1.1.46	31.12.48
21723	Reed, W. F., "Melrose," Delegate River	Orbost	Kirkenong	Delegate River, 10a	0 10 0	1.1.46	31.12.48
21724	Lewis, R. S., Omeo	Omeo	Bundara Munjie	Cobungra Creek, 22	0 2 6	1.1.46	31.12.48
21725	Johns, H. J., Omeo	Omeo	Cobungra	Both sides Wilsons Creek, 153a, 154	0 15 0	1.1.46	31.12.48
21726	Cardwell, L. C., Riversdale, Tallangatta	Towong	Wagra	Mitta Mitta River, 63 of 17	0 17 0	1.1.46	31.12.48
21727	Cardwell, L. C. and A. G., Riversdale, Tallangatta	Towong	Wagra	Mitta Mitta River, 1d and southern part 1c, section 13	1 4 0	1.1.46	31.12.48
21728	Cardwell, L. C. and I. M., Tallangatta	Towong	Wagra	Mitta Mitta River, 1, 1a, 7, and northern, part 1c, section 13	2 0 0	1.1.46	31.12.48
21729	McNamara, J. M. G., Cobungra, via Omeo	Omeo	Bundara Munjie	Reedy Creek and Cobungra River, 23, 23a, 23b, 23c, 23d, 23e	1 5 0	1.1.46	31.12.48
21730	Coster, Joseph Thomas, Sarsfield	Tambo	Township of Sarsfield and Parish of Tambo	Nicholson River, 6, section A, allotment B, township of Sarsfield, and allotment 9 of D, Parish of Tambo	0 8 0	1.1.46	31.12.48
21801	Crouch, A., East Tarwin, via Mirboo	Woorayl	Mirboo South	Tarwin River, 52b	0 2 6	1.1.46	31.12.48
21802	Broughton, J. E., 25 Clarence-street, Elsternwick	Lillydale	Wandin Yallock	Stringybark Creek, 27 of 88b	0 12 0	1.1.46	31.12.48
21803	Roberts, G. F., Launching Place	Upper Yarra	Yuonga	River Yarra, 47, 48, 49 of 5c and part of 5b	1 0 0	1.1.46	31.12.48
21804	Steele, M. W., and Young, R. S., Mardan, via Leongatha	Woorayl	Mirboo South	Tarwin River, 6a	0 5 0	1.1.46	31.12.48
21805	Nicholas, M. S., 58 Snowden-avenue, Caulfield	Eltham	Nillumbik	Yarra River, 108, 109, 110, 111, 112 of 1a, section 7	0 4 0	1.1.46	31.12.48
21806	Sullivan, J. J., Three Bridges	Upper Yarra	Beenak	Little Yarra River, 10, section C	0 2 6	1.1.46	31.12.48
21807	Hamily, E. P., Moeniyan	Woorayl	Nerrera	Tarwin River, 8b	0 3 3	1.1.46	31.12.48
21808	Grenville, P. E., Healesville	Healesville	Tarrawarra	Chum Creek, 46b	0 10 6	1.1.46	31.12.48
21809	Pritchard, J. H. and G. M., Garfield North	Berwick	Bunyip	Cannibal Creek, 72 and 72a	0 10 0	1.4.46	31.12.48
21810	Brinsmead, F. S., Morwell	Morwell	Narracan	Morwell River, 28	3 4 0	1.1.46	31.12.48

L. W. GALVIN,
Commissioner of Crown Lands and Survey.

Department of Lands and Survey (Unused Roads and Water Frontages Branch),
Melbourne, 22nd August, 1946.

51

MONEY LENDERS ACT 1938.

SUPPLEMENTARY List of Persons to whom Money Lenders' Licences have been issued for the year ending 30th June, 1947:—

Name.	Authorized Name.	Authorized Address.	Date of Issue.
Australian Guarantee Corporation Ltd. (G. V. Beattie, appointee)	Australian Guarantee Corporation Ltd.	44 Queen-street, Melbourne	29.7.46
James, S. L.	S. L. James	26 James-street, Box Hill	25.7.46
Traders Finance Corporation Ltd. (G. V. Beattie, appointee)	Traders Finance Corporation Ltd.	44-46 Queen-street, Melbourne	29.7.46

The Treasury,
Melbourne, 23rd August, 1946.

F. MADDERN,
Registrar.

COMPANIES ACT 1938.

NOTICE is hereby given that, in pursuance of section 285 (3) and (4) of the *Companies Act 1938*, that at the expiration of three months from the date hereof, the names of the following companies will, unless cause is shown to the contrary, be struck off the register, and the said companies will be dissolved.

Dated this twenty-seventh day of August, 1946.

Registrar-General's Office,
Melbourne.

J. QUINLIVAN,
Deputy Registrar-General.

COMPANIES ABOVE REFERRED TO.

Name of Company.	Date of Registration.	Number of Registration.
Torpedo Motor and Cycle Works Proprietary Limited	24th January, 1914	5553
The Meredith Co-operative Weighbridge Proprietary Limited	22nd December, 1915	6095
Beenie and Sons Proprietary Limited	5th November, 1919	6945
Suzanne et Cie Proprietary Limited	18th March, 1921	7687
The Australian Heel & Last Company Proprietary Limited	27th May, 1921	7769
Glenroy Suburban Electric Railway Estate Proprietary Limited	22nd May, 1922	8350
G. Philip & Sons Proprietary Limited	24th May, 1922	8355
St. Albans Quarries Proprietary Limited	8th December, 1922	8760
Francor Proprietary Limited	20th March, 1923	8976
Goeben Wheels Proprietary Limited	11th April, 1924	9811
Maidstone Public Hall Company Proprietary Limited	17th June, 1924	9943
The Belgrave Motors Proprietary Limited	28th June, 1924	9977
Commercial Hotel Underbool Proprietary Limited	23rd July, 1925	10852
Gronow's Proprietary Limited	26th August, 1925	10917
Homes Proprietary Limited	24th December, 1925	11231
San Miguel Brothers Proprietary Limited	7th April, 1926	11438
Australian Pine Woods Proprietary Limited	11th October, 1926	12006
Scarcebrook Bros. Proprietary Limited	27th November, 1928	14153
Aura Glassware Company Proprietary Limited	12th March, 1929	14375
Citrus Orchards Proprietary Limited	27th April, 1929	14496
Bendigo Wine Cafe Proprietary Limited	23rd December, 1929	15162
Garramutta Proprietary Limited	7th July, 1930	15635
W. G. Curtis Proprietary Limited	10th July, 1930	15638
T. Corns Proprietary Limited	15th August, 1930	15727
N. G. Hickman Proprietary Limited	14th October, 1930	15855
Clifton Motors Proprietary Limited	15th July, 1931	16408
Arnolite Products Proprietary Limited	7th August, 1931	16461
Rosanna Investments Proprietary Limited	15th December, 1931	16699
Dorset Proprietary Limited	23rd March, 1932	16866
Ann's Beattie Shoppe Proprietary Limited	18th July, 1932	17104
Health Pies Proprietary Limited	19th July, 1932	17107
Wangaratta Council Club Hotel Proprietary Limited	26th August, 1932	17178
Diggers in Blighty Proprietary Limited	21st October, 1932	17311
Cymyn Proprietary Limited	31st January, 1933	17504
Overseas Film Features Proprietary Limited	2nd May, 1933	17694
R. P. Henley Proprietary Limited	11th August, 1933	17664
St. Albans Poultry Farm Proprietary Limited	19th October, 1933	18101
The Alpha Engineering and Aluminium Works Proprietary Limited	16th March, 1934	18417
J. C. Bell Proprietary Limited	30th June, 1934	18611
A. G. Barlow Proprietary Limited	11th July, 1934	18644
Stripling's Garage Proprietary Limited	3rd August, 1934	18693
Fred Stone Investments Proprietary Limited	29th November, 1934	18930
Tyres Consolidated Investments Proprietary Limited	12th June, 1935	19314
Tres Jolie Proprietary Limited	23rd August, 1935	19486
Robert Sim & Company Proprietary Limited	2nd September, 1935	19508
City Cycles Proprietary Limited	5th September, 1935	19517
H.S.G. (Australia) Proprietary Limited	2nd November, 1935	19654
Napier Investments Proprietary Limited	1st February, 1936	19842
J. Arnolds Ballarat Proprietary Limited	20th February, 1936	19885
T. Schifferle Proprietary Limited	4th May, 1936	20044
Seven Creeks Hotel Proprietary Limited	30th November, 1936	20498
C. J. Shaw Proprietary Limited	27th July, 1937	21015
Pyramid Investments Proprietary Limited	3rd August, 1937	21037
Farkin Motors Proprietary Limited	8th December, 1937	21308
Mayfair Butter Factory Proprietary Limited	16th December, 1937	21335
Waller & Chester Proprietary Limited	23rd February, 1938	21449
Brereton's Hotels Proprietary Limited	5th March, 1938	21480
Moolap Products Proprietary Limited	8th March, 1938	21481
Majestic Scale & Machine Company Proprietary Limited	21st March, 1938	21516
Parton's Jersey Park Dairy Proprietary Limited	25th June, 1938	21691
Kill-a-mite Company (Australia) Proprietary Limited	2nd July, 1938	21729
The Guide Dog Training School	8th August, 1938	21810
Adam Scouller Trading Company Proprietary Limited	15th August, 1938	21824
Ambassador Private Hire Service Proprietary Limited	19th October, 1938	21935
Newa Star Cycles Proprietary Limited	18th March, 1939	22244
Baxters Hotel Proprietary Limited	18th November, 1939	22587
Pederick Gas Producers (Victoria) Proprietary Limited	23rd September, 1940	22841
Cheney Manufacturing Co. Pty. Limited	4th March, 1941	22951
Santatoys Proprietary Limited	2nd November, 1945	23280
Sentinel Time Recorders Limited	5th November, 1945	23281
Burke's Flat Gold Development No Liability	7th June, 1935	M.10127
Fones Reef No Liability	18th October, 1935	M.10171
Wewak Gold Estates No Liability	17th December, 1936	M.10245
Normanby Tin No Liability	14th January, 1937	M.10251
The Broadlands Milk Products Extended Proprietary Limited	13th March, 1925	10539
T. Jenner Proprietary Limited	29th July, 1929	14753

MELBOURNE AND METROPOLITAN BOARD OF WORKS.

NOTICE TO THE OWNERS OF TENEMENTS IN THE UNDER-MENTIONED STREETS, AND THE PRIVATE STREETS, LANES, COURTS, AND ALLEYS OPENING THERE TO.

THE main pipe in the said streets being laid down, the owners of all tenements situated as under are hereby required, on or before the 2nd October, 1946, to cause a proper pipe and stopcocks to be laid, so as to supply water within such tenements from the main pipe.

CHAS. J. W. BRIGGS,
Secretary.

20th August, 1946.

STREET AND POSITION.

Camberwell.

Lomond-street, from Valley-parade northwards 12½ chains.
Baker-parade, from Years-road to Wilgra-avenue.
Wilgra-avenue, from Bakers-parade to Fakenham-road.

Coburg.

Derby-street, from Essex-road northwards 7½ chains.
Cornwall-road, from Kent-road southwards 9½ chains.

Collingwood.

Right-of-way 1½ chain south of Vere-street, from Charles-street eastwards 1½ chain and thence southwards 4½ chains.

Heidelberg.

Rosanna-road, from Lower Plenty-road southwards 18½ chains.
Jacka-street, from McLeod-parade south-eastwards 9½ chains.
Waiora-road, from 2 chains south of Ruthven-street southwards 6½ chains.
Waiora-road, from 23 chains north of Darval-street northwards 8½ chains.

Malvern.

Carmelo-avenue, from Waverley-road northwards 4½ chains.

Melbourne.

Victoria-street, from Stawell-street eastwards 1½ chain.

Moorabbin.

Victor-avenue, from Weatherall-road northwards 18½ chains.

Sandringham.

James-street, from David-street northwards, eastwards, and northwards to Thorburn-road.
Poole-avenue, from James-street to Thorburn-road.
Thorburn-road, from Bluff-road westwards 5½ chains.
Thomas-street, from Poole-avenue westwards 1½ chain.
Earlsfield-road, from Ludstone-street to Teddington-road.
Teddington-road, from Earlsfield-road to Bluff-road.
Raynes Park-road, from Bluff-road westwards 28 chains.
Chiselhurst-road, from Raynes Park-road to Ludstone-street
Summit-avenue, from Fewster-road to Bluff-road.
Weeroona-street, from Fewster-road northwards 4½ chains.
Ozone-street, from Fewster-road northwards 4½ chains.
Coombe-avenue, from Fewster-road to Raynes Park-road.
Earlsfield-road, from Fewster-road to Raynes Park-road.

MELBOURNE AND METROPOLITAN BOARD OF WORKS.

NOTICE TO THE OWNERS OF TENEMENTS IN THE UNDER-MENTIONED STREETS, AND THE PRIVATE STREETS, LANES, COURTS, AND ALLEYS OPENING THERE TO.

THE main pipe in the said streets being laid down, the owners of all tenements situated as under are hereby required, on or before the 1st October, 1946, to cause a proper pipe and stopcocks to be laid, so as to supply water within such tenements from the main pipe.

CHAS. J. W. BRIGGS,
Secretary.

20th August, 1946.

STREET AND POSITION.

Heidelberg.

Grimshaw-street, from Greensborough-road to Carter-street.
Sellars-street, from Grimshaw-street northwards 48 chains.
William-street, from Grimshaw-street northwards 30½ chains.
Hailes-street, from William-street to Main-street.
Mayfield-street, from William-street eastwards 9½ chains.
Horonda-street, from Grimshaw-street northwards 5½ chains.
Church-street, from Grimshaw-street to Hailes-street.
Adeline-street, from Grimshaw-street to Santon-street.
Hobson-street, from Adeline-street westwards 7½ chains.
Santon-street, from Adeline-street westwards 10 chains.
Beewar-street, from Santon-street to Nell-street.
McDowell-street, from Grimshaw-street to Lyell-parade.
Henry-street, from Grimshaw-street to Elder-street.
Elder-street, from Henry-street to Maxwell-avenue.
Elder-street, from Henry-street westwards 4½ chains.
Plenty-lane, from Henry-street eastwards 36½ chains.

Nell-street, from Henry-street eastwards 31½ chains.
Nell-street, from Joy-street to Beewar-street.
Nell-street, from Greta-street westwards 10½ chains.
Howard-street, from Grimshaw-street to Broad-street.
Howard-street, from Alexandra-street northwards 9 chains.
Broad-street, from Howard-street westwards and southwards to Alexandra-street.
Alexandra-street, from Henry-street to Grimshaw-street.
Warwick-street, from Howard-street eastwards 22½ chains.
Eldale-avenue, from Grimshaw-street southwards 8½ chains.
Eldale-avenue, from Warwick-road northwards 4½ chains.
Main-street, from Grimshaw-street to Plenty River.
Flintoff-street, from Grimshaw-street to Carter-street.
Carter-street, from Main-street to Plenty River.
Vermont-parade, from McDowell-street to Henry-street.
High-street, from McDowell-street westwards 7 chains.

The Water Acts.

SHIRE OF KORONG.

KORONG VALE AND WEDDERBURN WATER SUPPLY DISTRICTS.

Approval of Plan of Reservoirs, Pumping Stations, and Pipe Line.

HIS Excellency the Lieutenant-Governor of the State of Victoria, by and with the advice of the Executive Council thereof, has, by Order made on the 20th August, 1946, approved, in accordance with the provisions of the Water Acts, a plan showing sites of service reservoirs, pumping stations, and pipe line to be constructed by the Council of the Shire of Korong on the lands described in the Schedule hereto, for the purposes of supplying water to the towns of Korong Vale and Wedderburn.

SCHEDULE.

*Portion I.**Site of No. 1 Pumping Station.*

The site of No. 1 pumping station shall be within Crown allotment 8, section V., Parish of Borung, County of Gladstone.

*Portion II.**Site of Korong Vale Service Reservoir and No. 2 Pumping Station.*

The site of the Korong Vale service reservoir and No. 2 pumping station shall be within Crown allotment 11c, section V., Parish of Borung, County of Gladstone.

*Portion III.**Site of Wedderburn Service Reservoir.*

The site for the Wedderburn service reservoir shall be within a reserve for water supply purposes, Parish of Wedderburn, County of Gladstone.

*Portion IV.**Site of Pipe Line.*

Commencing at a point in Crown allotment 8, section V, Parish of Borung, County of Gladstone, such point being adjacent to the site of No. 1 pumping station; thence south-westerly by a strip of land 33 feet in width, being 16½ feet on either side of the centre line of the pipe line through the said Crown allotment 8 and through Crown allotment 130, Parish of Kinypanial, County of Gladstone, to a point on the western boundary of the said Crown allotment 130, being a point on the eastern boundary of a road in the Parish of Borung, County of Gladstone; thence southerly along the said road to its intersection with a three-chain road adjacent to the southern boundary of Crown allotment 10, section V., Parish of Borung; thence westerly along the said three-chain road a distance of approximately 19 chains; thence southerly and south-westerly across Crown allotment 11, section V., and across a road and across Crown allotments 11b and 11c to a point adjacent to the site of the Korong Vale service reservoir and No. 2 pumping station within the said Crown allotment 11c; thence south-easterly through the said Crown allotment 11c to a point on its eastern boundary, being a point on the western boundary of a road; thence southerly along the said road to its intersection with a road adjacent to the south-eastern boundary of Crown allotment 12c, section V.; thence generally south-westerly along the last-mentioned road to the most north-easterly angle of Crown allotment 18a, section VII., Parish of Wedderburn and across the said Crown allotment 18a and Crown allotment 13, section VII., and across a road, and across Crown allotment 12, section VII., to a point on the western boundary of the said Crown allotment 12; thence westerly across Crown lands and through a reserve for water supply purposes to the site of the Wedderburn service reservoir within the said reserve for water supply purposes, and continuing south-westerly through the said reserve to a point on the northern boundary of the Wedderburn Water Supply District.

C. W. KINSMAN,

Clerk of the Executive Council.

At the Executive Council Chamber,
Melbourne, the 20th day of August, 1946.

OMEQ WATERWORKS TRUST.

RATING BY-LAW.

THE Omeo Waterworks Trust, in pursuance and exercise of the powers conferred by the Water Acts, doth hereby make a rate for the supply of water for domestic purposes of Two shillings and three pence in the pound on the annual municipal valuation of lands and tenements liable to be rated within the Omeo Urban District.

Provided that in no case shall the amount of rate payable per annum in respect of any tenement (other than land on which there is no building) be less than One pound six shillings and eight pence, and in respect of any land on which there is no building less than the sum of Ten shillings.

Such rates are made and shall be levied upon the occupiers or owners of the said lands and tenements for the year commencing the 1st day of January, 1946, and shall be payable on the 28th day of August, 1946, at the office of the said Trust.

Passed this 2nd day of August, 1946.

(SEAL) E. E. FOSTER, Chairman.
J. W. BALES, Secretary.

Approved by the Governor in Council,
20th August, 1946.

C. W. KINSMAN,
Clerk of the Executive Council.

FARMERS PROTECTION ACT 1941.

NOTIFICATION is hereby given that the Farmers' Debts Adjustment Board, pursuant to the powers conferred by the *Farmers Protection Act 1941*, cancelled the following Limited Stay Order:—

No.; Farmer; Address; Debt; Creditor; Address; Date of Cancellation.

393; Larsen, Lars Christian; Tolmie, via Mansfield; £180; estate of Thomas Bowler, deceased; Fern Hills, Tatong; 22nd August, 1946.

W. J. EVANS, Deputy Secretary,
Farmers' Debts Adjustment Board.

27th August, 1946.

Farmers Debts Adjustment Act 1935.

CANCELLATION OF STAY ORDERS.

NOTIFICATION is hereby given that the Stay Orders issued to the under-mentioned farmers have been cancelled by the Farmers' Debts Adjustment Board, such cancellation to take effect on Wednesday, 28th August, 1946:—

No. of Stay Order; Name; Address.

1919; Morrison, Alfred Thomas; Cowangie.
2004; Morris, James Charles; Ouyen.
2003; Muirhead, John Maltman; Terriff East.
3284; Lee, William John; Piangil.
4176; Lockwood, Ernest Arthur; Kiamal.
3075; Lutze, William Gustav and Albert Edwin; Long Plain, via Sea Lake.
1495; Lutze, Hermann August; Long Plain, via Sea Lake.
2241; Macfie, Donald Hutchison; Beulah West.
2700; Macfie, Norman Peppin; Beulah West.
4342; Malkin, Henry William; Underbool.
2217; Manuel, Horace Washington; Berriwillock.
2292; Martin, Jessie, Alfred William, and Robert Charles; Murraydale.
3798; Maynard, Ernest Harold and Doris May; Boyeo.
4104; Milvain, Frederick Hamilton and Albert Henry; Kerang.
3416; Mitchell, James Drysdale, deceased, estate of (William Alexander Mitchell and Clariss Olive Myrtle Gebert, executors); Nypo.
3512; Modra, Johann Alfred; Bambill.
3476; Moloney, Ernest Michael; Patchewollock.
3914; Meagher, John; Danyo.
1699; Mickan, Johannes Gustav; Murrayville.
3479; Millard, William Henry; Yarto.
3834; Millstead, Lillian; Chinkapook.
2960; O'Meara, Annie and Robert Henry; Quambatook.
3176; Moyle, Alfred Brice; Yaapeet.
2403; Morrow, Valentine Henry; Walpeup.
3852; Morrison, Robert Wright, deceased; Chillingollah.
3851; Morrison, Emily Mary; Chillingollah.
2382; Phillips, Edith and John Rich (as executors of John, deceased); Murraydale.
2383; Phillips, Thomas Josias and John Rich (trading as Phillips Bros.); Murraydale.
4249; Place, David Thomas; Speed.
614, 611; Rye Grazing Co. Pty. Ltd. and McDonald, John; Rye.
3153; Putland, Edward George; Ouyen.
1214; Pole, Arthur William and Harold; Curyo.
2258; McDonald, John; Ultima.
2927; McInerney, William Peter; Ninda.
865; McNiven, Dougal; Vinifera.
4355; Price, Jane, deceased; Manangatang.

4356; Price, Martin Henry; Manangatang.
4357; Pritchard, Alec George; Murrayville.
3200; McLean, Johanna Frances; Murrayville.
741; McLean, Lachlan Gordon; Culgoa.
2516; McGough, John Matthew; Cowangie.
2669; McLennan, Stephen John; Kalpiening.
3306; O'Shannassy, Thomas Peter; Manangatang.
3924; Page, George Leslie; Torrita.
3189; Parker, Joseph Ralph; Quambatook.
3727; Peucker, Ernest August; Rainbow.
3600; Perry, Alfred Edward; Hopetoun.
2874; Perry, Silas Cole; Berriwillock.
904; Powell, Daniel; Turriff.
3190; Pratt, Leslie George; Natya.
2562; Parks, Clive Maxwell; Ouyen.
704; Perkins, George Frederick; Rainbow.

W. J. EVANS, Deputy Secretary,
Farmers' Debts Adjustment Board.

27th August, 1946.

4 GEORGE VI. No. 4755, SECTION 6.

I HEREBY give notice that on the 14th August, 1946, I filed elections to administer the following deceased persons' estates, in accordance with section 6 of the *Public Trustee Act 1940*:—

DELANEY, RICHARD, late of 9 Sherwood-street, Richmond, pensioner, died 25th May, 1946, intestate.

HARKER, ELLEN GRACE, also known as Nellie Grace Harker, late of 2 Kent-street, Clifton Hill, spinster, died 24th June, 1946, intestate.

HENNESSY, EDWARD JOSEPH, late of Exchange Hotel, Kerang, hotel yardman, died 1st March, 1946, intestate.

RYAN, JAMES, late of 28 Villiers-street, North Melbourne, labourer, died 3rd July, 1946, intestate.

SIMOS, ANEZOULA, also known as Anna Jane Simon, late of 150 Cardigan-street, Carlton, widow, died 10th July, 1946, intestate.

THOMPSON, JOHN, late of Scot-street, Camperdown, pensioner, died 24th March, 1946, intestate.

*TRIMBLE, ROBERT HENRY, late of Royal Australian Navy, able seaman, died 9th December, 1943.

WONG AH CHEUNG, also known as Pao K. Ton, late of 132 Little Bourke-street, Melbourne, married woman, died 12th June, 1946, intestate.

YOUNG, MARGARET ANDEBSON, late of 8 Martin-street, St. Kilda, pensioner, died 30th June, 1946, intestate.

*According to the provisions of the will.

J. E. DON,
Public Trustee.

412 Collins-street, Melbourne, C.I., 21st August, 1946.

NOTICE.

ADMINISTRATION of the estate of each of the under-mentioned deceased persons has been granted to me, and creditors, next of kin, and all others having claims against the estate of any of the persons so mentioned are required to send particulars of their claims to the Public Trustee, No. 412 Collins-street, Melbourne, on or before the 30th October, 1946, or they will be excluded from the distribution of the estate when the assets are being distributed:—

*BANKS, CHARLES REGINALD, formerly of 93 William-street, Melbourne, but late of A.I.F., soldier, died 3rd August, 1945.

*CHAMBERLAIN, ROBINA ELIZABETH, late of 43 Beaconsfield-parade, Croxton, married woman, died 31st May, 1946.

*CHEGWIDDEN, VICTOR JOHN, late of 93 Canterbury-road, Canterbury, storeman, died 24th May, 1946, intestate.

*COWIN, LOUIS WILLIAM, formerly of 8th Infantry Battalion, First Australian Imperial Forces, but late of 27 Patterson-street, Middle Park, railway clerk, died 28th May, 1946.

DELANEY, RICHARD, late of 9 Sherwood-street, Richmond, pensioner, died 25th May, 1946, intestate.

*DEWEY, CLARA ADA, late of 51 Princess-street, Kew, widow, died 19th June, 1946.

HARKER, ELLEN GRACE, also known as Nellie Grace Harker, late of 2 Kent-street, Clifton Hill, spinster, died 24th June, 1946, intestate.

HENNESSY, EDWARD JOSEPH, late of Exchange Hotel, Kerang, hotel yardman, died 1st March, 1946, intestate.

LEONG PING, late of 96 Martin-street, Gardenvale, hawker, died 16th February, 1946, intestate.

RYAN, JAMES, late of 28 Villiers-street, North Melbourne, labourer, died 3rd July, 1946, intestate.

SIMOS, ANEZOULA, also known as Anna Jane Simon, late of 150 Cardigan-street, Carlton, widow, died 10th July, 1946, intestate.

*TEVELEIN, HAROLD JOSEPH, also known as Harold Joseph William Tevelein, formerly of Unit Base Ordnance Depot, No. 3 Sub-depot, and of 99 McCracken-street, Kensington, but late of Repatriation General Hospital, Caulfield, electrician, died 22nd May, 1946.

THOMPSON, JOHN, late of Scot-street, Camperdown, pensioner, died 24th March, 1946, intestate.

†TRIMBLE, ROBERT HENRY, late of Royal Australian Navy, able seaman, died 9th December, 1943.

WONG AH CHEUNG, also known as Pao K. Ton, late of 132 Little Bourke-street, Melbourne, married woman, died 12th June, 1946, intestate.

YOUNG, MARGARET ANDERSON, late of 8 Martin-street, St. Kilda, pensioner, died 30th June, 1946, intestate.

* With the will annexed.

† According to the provisions of the will.

J. E. DON,
Public Trustee.

Melbourne, 21st August, 1946.

CONTRACTS ACCEPTED.—(Series 1945-46.)

TOOLS (GENERAL).

Gazette No. 16, 30th January, 1946, Schedule No. 52.—Item No. 07, Files, include half-round, List Price plus 25 per cent. net.

CONTRACTS ACCEPTED.—(Series 1946-47.)

VICTORIAN RAILWAYS.

36. 2,200-volt Cable, for £2,430 (Contract 55511).—British General Electrical Co. Pty. Ltd. 37. "Sanspareil" Anti-Rattle Door Rollers, for £3 9s. per set (Contract 55723).—Knox Schlapp Pty. Ltd. 38. Erection of new D.R. Outbuilding and Fencing at Bayswater, for £1,591 14s. (Contract 55749).—R. and J. Mark. 39. Stainless Steel Flats and Round Bars, at rates (Contract 55683).—Gilbert Lodge and Co. Pty. Ltd. 40. Supply and Delivery of General Stores as ordered during the period 1st July, 1946, to 30th June, 1948, particulars as per attached annex.

By order of the Victorian Railways Commissioners,

E. C. EYERS, Secretary. 23.8.46.

PROVISIONS.—CEREALS.

Requirements under Sub-Schedule No. 5 of Schedule No. 1 for the month of September are to be purchased under agreement from Robert Harper and Co. Ltd., at the rate per cwt. indicated, viz., Oatmeal, plain, 22s. 6d.; Barley, pearl and unpearled, 22s. 6d.; Barley Kernels, 24s.; Rice, dressed and unpolished, 24s.; Rycena, 21s.; rates less 3 per cent., 14 days, or 2½ per cent., 30 days. Split peas are not available. Rates subject to variation in accordance with determinations of Prices Commissioner.

W. H. RUTHERFORD, Secretary to the Tender Board. 26.8.46.

GENERAL STORES.

Gazette No. 122, 5th July, Schedule No. 74, Item 87.—For 11s. 10d. each substitute 11s. 10d. per lb.

W. H. RUTHERFORD, Secretary to the Tender Board. 27.8.46.

ORDERS IN COUNCIL.—(Series 1945-46.)

STATE RIVERS AND WATER SUPPLY COMMISSION.

Loan—

1712. Supply of five scrapers, two tractors, three rotary scoops, one 3-ton mobile crane on tractor, one 5-ton mobile crane, one ripper, one air compressor, eight road ploughs, one portable stone crusher, £11,177.—Allied Works Council.

Approved by the Governor in Council, 2nd November, 1945.—C. W. KINSMAN, Clerk of the Executive Council.

Loan—

1713. Supply of one 3-ton mobile crane on W9 tractor, one Southern Cross kerosene engine, ten concrete mixers, one concrete vibrator, one mould board grader, one "Le Tourneau" drum power control unit for D4 tractor, one hydraulic pump for HD7 tractor, four scrapers, five tractors, four rotary scoops, one Barber-Greene S2A bucket loader, £16,310.—Allied Works Council.

Approved by the Governor in Council, 30th January, 1946.—C. W. KINSMAN, Clerk of the Executive Council.

Loan—

1714. Supply of ten tractors with auxiliary equipment, five chariot type bowlers, twenty concrete breakers, one air compressor, 30 hammer drills, two pneumatic saws, one "Le Tourneau" model crane, one pile-driving attachment for 10 R.B. excavator, and one Clayton Joel electric welding set, £22,566.—Allied Works Council.

Approved by the Governor in Council, 20th March, 1946.—C. W. KINSMAN, Clerk of the Executive Council.

Stores Suspense Account—

1715. Manufacturing, testing, supply, and delivery f.o.r., West Footscray, of 5,160 feet of 9-in. diameter cement-lined steel pipes, £2,341 7s.—Mephan Ferguson Pty. Ltd.

Approved by the Governor in Council, 14th May, 1946.—C. W. KINSMAN, Clerk of the Executive Council.

Stores Suspense Account—

1716. Manufacture, testing, supply, and delivery f.o.r. at Eureka Railway Station of 10,710 feet of 12-in. diameter M.S. pipes, £5,743.—Cowley's Eureka Ironworks Pty. Ltd.

Approved by the Governor in Council, 20th May, 1946.—C. W. KINSMAN, Clerk of the Executive Council.

Stores Suspense Account—

1717. Manufacture, testing, supply, delivery, laying and jointing, and maintenance for three months of 3,720 feet of 12-in. diameter reinforced concrete pipes, £1,559 8s.—Rocla Ltd.

Approved by the Governor in Council, 9th June, 1946.—C. W. KINSMAN, Clerk of the Executive Council.

Loan—

1718. Supply and delivery f.o.r., Melbourne, 1,550 type G, 1,450 type H, 30 type J, and 25 type K stressed skin type prefabricated roofing panels, £13,798 19s.—Victorian Interstate Airways Ltd.

1719. Manufacture, supply and delivery f.o.r., Ballarat, of 600 feet of 72-in. diameter M.S. pipe with 3-in. x ¼-in. M.S. bar flanges, £2,310.—Cowley's Eureka Ironworks Pty. Ltd.

Approved by the Governor in Council, 18th June, 1946.—J. C. MACGIBSON, Acting Clerk of the Executive Council.

FORESTS COMMISSION.

Loan Act No. 5049, Item 5—

1721. To the purchase of allotments 28A, 28B, 19, 19A, 19B, 16A, and 23A, section A, Parish of Bulga, and allotments 42A, 42C, 41, 41A, 41C, 40, and 40A, section A, Parish of Boodyarn, County of Buln Buln, containing 1,179 acres 3 roods 16 perches, for forest purposes, £1,179 17s.—John Sutton, Mack's Creek.

Approved by the Governor in Council, 25th June, 1946.—C. W. KINSMAN, Clerk of the Executive Council.

ORDERS IN COUNCIL.—(Series 1946-47.)

STATE RIVERS AND WATER SUPPLY COMMISSION.

Loan—

704. Supply of two only 6-ton portable cranes, unassembled, £16,800.—Commonwealth Disposals Commission.

Approved by the Governor in Council, 12th July, 1946.—C. W. KINSMAN, Clerk of the Executive Council.

STATE ELECTRICITY COMMISSION.

873. For the supply of 920 feet high-pressure steam piping for Yallourn Briquette Factory, to Quotation No. 118.—Stewarts and Lloyds (Australia) Pty. Ltd.

874. For the supply of one only 3½ to 5 ton tractor mounted mobile crane for the maintenance of transport, Yallourn, to Quotation No. 516.—Fowler Constructions Pty. Ltd.

875. For the supply of 12 only power-operated winches for installation on truck chassis for line construction and maintenance, to Quotation No. 115.—G. H. Olding and Sons Pty. Ltd.

876. For the supply of reinforced concrete pipes and fittings for Yallourn and Kiewa Sewerage Systems, to Specifications Nos. 46-47/12 and 46-47/29.—Rocla Ltd.

877. For the supply of vitrified stoneware pipes and fittings for Yallourn and Kiewa Sewerage Systems, to Specifications Nos. 46-47/12 and 46-47/29.—Cornwell's Pottery.

878. For the supply of one only Allis Chalmers Model H.D.7 tractor, Kiewa Hydro-Electric Scheme.—Department of Works and Housing.

879. For the supply of one steam turbine-driven boiler feed pump, Geelong Generating Station, to Quotation No. 4544.—H. Perks and Co. Pty. Ltd.

880. For the supply of one only 16-h.p. Austin saloon car, to Quotation No. 5195.—Austin Distributors Ltd.

881. For the leasing from the Commission of the general store and associated buildings at Mount Beauty, Kiewa Hydro-Electric Scheme, for three years as from the date of completion.—Kiewa Hydro Co-operative Distributing Society Limited.

882. For the leasing from the Commission of the general store and associated buildings at Bogong, Kiewa Hydro-Electric Scheme, for three years as from the 19th August, 1946.—Mervyn Frank Loone.

883. For the leasing of land at Malvern for use as a briquette depot for a period of ten years commencing on the 1st October, 1946.—Victorian Railways Commissioners.

Approved by the Governor in Council, 20th August, 1946.—C. W. KINSMAN, Clerk of the Executive Council.

LOCAL GOVERNMENT ACT 1928.

At the Executive Council Chamber, Melbourne, the twentieth day of August, 1946.

PRESENT:

His Excellency the Lieutenant-Governor of Victoria.
Mr. Galvin | Mr. Fraser.

TREE RESERVE IN THE SHIRE OF KARKAROOC.

HIS Excellency the Lieutenant-Governor of the State of Victoria, by and with the advice of the Executive Council thereof, in pursuance of the provisions contained in section 553 of the *Local Government Act 1928* (No. 3720), doth by this Order, in compliance with a request of the Council of the Shire of Karkaroc, dated the 19th January, 1946, direct that the under-mentioned portion of Byrne-street, Yaapeet, within the said shire, being the land shown in red hatching on plan attached to Correspondence L.G.46/157, deposited in the office of the Department of Public Works, Melbourne, be a tree reserve:—

All that piece of land bounded by a line, commencing at a point 150 links on a bearing 302 deg. 9 min. from the south-west corner of allotment 1, section 3, Township of Yaapeet, and continuing on a bearing 302 deg. 9 min. for a distance of 100 links; thence on a bearing 32 deg. 9 min. for a distance of 1,294.70 links; thence on a bearing 122 deg. 9 min. for a distance of 100 links; thence on a bearing 212 deg. 9 min. for a distance of 1,294.70 links to the point of commencement.

And the Honorable Patrick John Kennelly, His Majesty's Commissioner of Public Works for the State of Victoria, shall give the necessary directions herein accordingly.

C. W. KINSMAN,
Clerk of the Executive Council.

DEPARTMENT OF LANDS AND SURVEY.

At the Executive Council Chamber, Melbourne, the twentieth day of August, 1946.

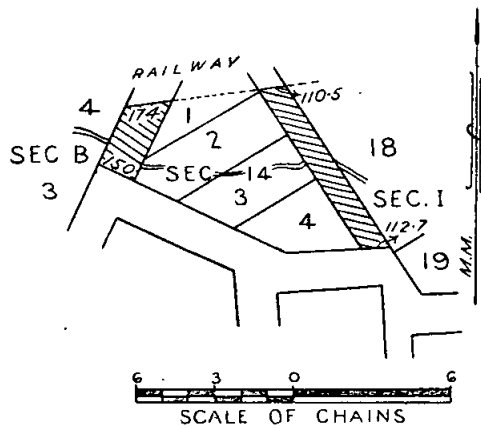
PRESENT:

His Excellency the Lieutenant-Governor of Victoria.
Mr. Galvin | Mr. Fraser.

UNUSED AND UNMADE ROADS CLOSED.

HIS Excellency the Lieutenant-Governor of the State of Victoria, by and with the advice of the Executive Council thereof, doth hereby direct that, in pursuance of the provisions of section 304 of the *Land Act 1928* (No. 3709), as amended by section 10 of the *Land Act 1933*, the unused and unmade roads referred to hereunder be closed, viz.:—

Parish of Yackandandah, County of Bogong, being the roads indicated by hachure on plan hereunder.—(Y.45(12) (H.017902).

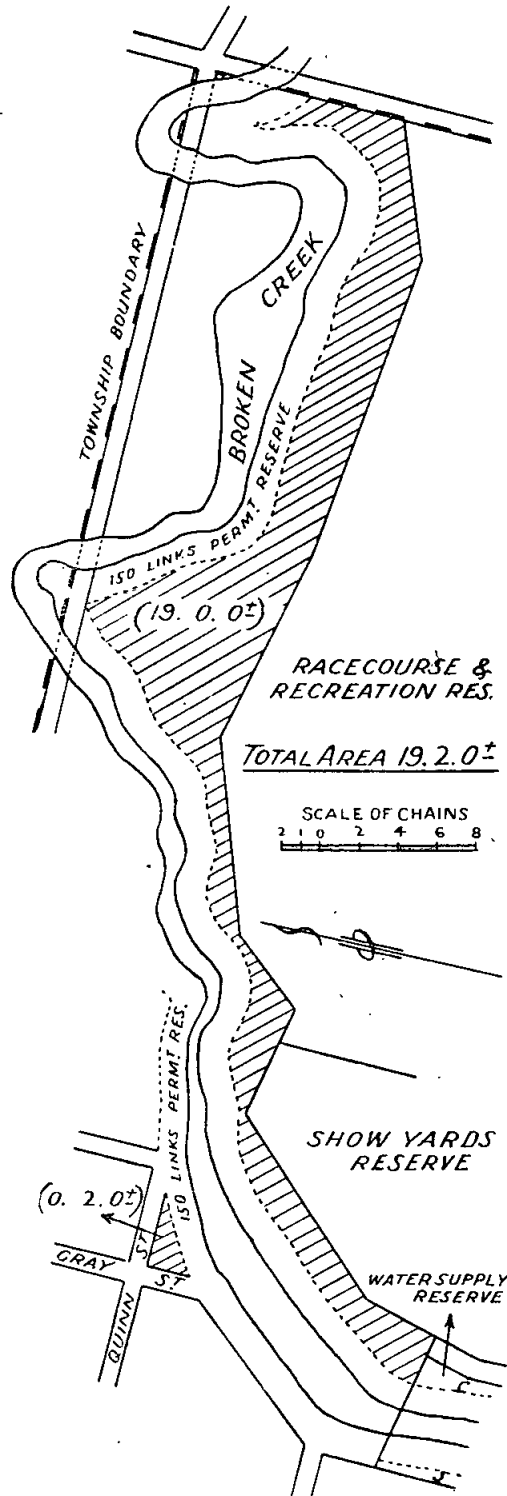


LANDS TEMPORARILY RESERVED.

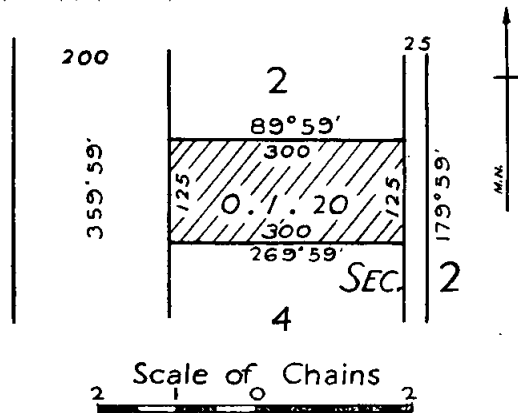
HIS Excellency the Lieutenant-Governor of the State of Victoria, by and with the advice of the Executive Council thereof, doth hereby, in pursuance of the provisions

of the *Land Act 1928*, reserve, temporarily, for certain purposes, and also except from occupation for mining purposes under any miner's right, the lands hereinafter described:—

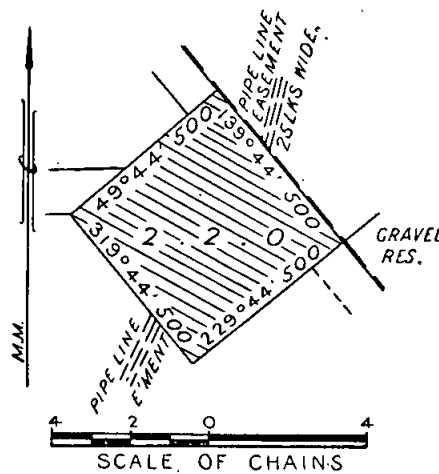
NUMURKAH.—Site for Public purposes, 19 acres 2 roods, more or less, Township of Numurkah, Parish of Katunga, County of Moira, as indicated by hachure on plan hereunder.—(Benalla, T.P. 17, 17A (Rs.5857).



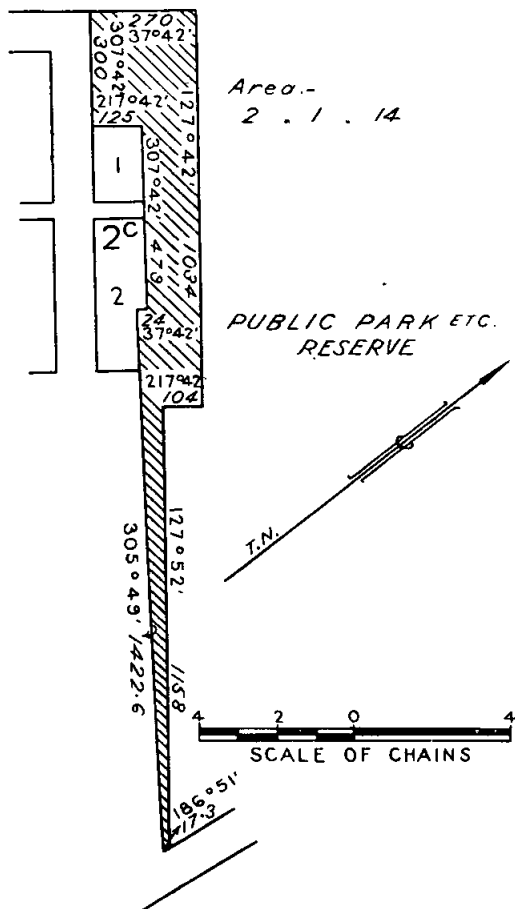
BERRYBANK.—Site for Public Hall, 1 rood 20 perches, Township of Berrybank, Parish of Poliah North, County of Grenville, as indicated by hachure on plan hereunder.—(B.777(2) (Rs.5859).



FOSTER.—Site for Water Supply purposes, 2 acres 2 roods, Township of Foster, Parish of Wonga Wonga South, County of Buln Buln, as indicated by hachure on plan hereunder.—(F.100(8) (Rs.5858).



CHARLTON.—Site for Public Park, Recreation, Racecourse, and Showgrounds, in addition to and adjoining the site temporarily reserved therefor by Order in Council of the 27th of February, 1939, 2 acres 1 rood 14 perches, Township of Charlton, Parish of Charlton East, County of Gladstone, as indicated by hachure on plan hereunder.—(C.377 (K¹) (Rs.3258).



And the Honorable Leslie William Galvin, His Majesty's Commissioner of Crown Lands and Survey for the State of Victoria, shall give the necessary directions herein accordingly.
C. W. KINSMAN,
Clerk of the Executive Council.

MOTOR OMNIBUS ACT 1928 (No. 3742).

At the Executive Council Chamber, Melbourne, the twentieth day of August, 1946.

PRESENT:

His Excellency the Lieutenant-Governor of Victoria.
Mr. Galvin | Mr. Fraser.

PRESCRIPTION OF METROPOLITAN MOTOR OMNIBUS ROUTE No. 115A (CAULFIELD-SOUTH CAULFIELD).

HIS Excellency the Lieutenant-Governor of the State of Victoria, by and with the advice of the Executive Council thereof, and in pursuance of the powers conferred by the *Motor Omnibus Act 1928* (No. 3742), doth by this Order prescribe, as set out hereunder, a certain route, i.e. No. 115A, within the metropolitan area, along which motor omnibuses for which "regular service" licences are granted may ply for hire, viz.:—

Description of Route, Including Commencing and Terminal Points.—Commencing at Caulfield Railway Station, thence via Station-street, Kambrook, Eskdale, and Bambra roads, to the corner of Bambra and North roads, South Caulfield.

Sections on Route:—

- (1) Caulfield Railway Station to Glenhuntly-road.
- (2) Glenhuntly-road to North-road.

Fares to be Charged.—Any section, 2d.; additional section, 1d.; through fare, 3d.

Time-tables to be Observed.—Minimum service, 20 minutes—Week-days, 7 a.m. to 12 midnight; Sundays, 1 p.m. to 11 p.m.

Maximum Number of Motor Omnibuses which may be Licensed on Route.—Two.

Licensing Authority.—Pursuant to the provisions of section 15 (1) (c) of the said Act (No. 3742), the Governor in Council by this Order confers upon the Licensing Authority full power and authority for the carrying into effect by the said Licensing Authority of the foregoing provisions of this Order.

And the Honorable Patrick John Kennelly, His Majesty's Commissioner of Public Works for the State of Victoria, shall give the necessary directions herein accordingly.

C. W. KINSMAN,
Clerk of the Executive Council.

THE CONSTITUTION ACT AMENDMENT ACTS.

At the Executive Council Chamber, Melbourne, the twentieth day of August, 1946.

PRESENT:

His Excellency the Lieutenant-Governor of Victoria.
Mr. Galvin | Mr. Fraser.

REVOCATION OF APPOINTMENT OF POLLING PLACE FOR ELECTORAL DISTRICT OF MORNINGTON.

IN pursuance of the provisions contained in The Constitution Act Amendment Acts, His Excellency the Lieutenant-Governor of the State of Victoria, by and with the advice of the Executive Council thereof, doth hereby revoke the appointment of—

CARDINIA

as a Polling Place within and for the Frankston Subdivision of the Electoral District of Mornington.

And the Honorable Thomas Hayes, for and on behalf of His Majesty's Chief Secretary for the State of Victoria, shall give the necessary directions herein accordingly.

C. W. KINSMAN,
Clerk of the Executive Council.

PUBLIC SERVICE ACT 1928.

At the Executive Council Chamber, Melbourne, the twentieth day of August, 1946.

PRESENT:

His Excellency the Lieutenant-Governor of Victoria.
Mr. Galvin | Mr. Fraser.

PERMISSION FOR AN OFFICER OF THE PUBLIC SERVICE TO ENGAGE IN DUTIES UNCONNECTED WITH HIS OFFICE AND TO RECEIVE REMUNERATION THEREFOR.

UNDER the provisions of section 161 of the *Public Service Act 1928*, His Excellency the Lieutenant-Governor of the State of Victoria, by and with the advice of the Executive Council thereof, doth by this Order grant permission to the under-mentioned officer of the Public Service to engage in the work specified below and to receive remuneration therefor, subject to the conditions that the work be performed by him only during hours outside the ordinary hours fixed for the discharge of his duties in the Public Service:—

L. J. PRYOR, Education Department, to act as tutor in History at the University of Melbourne.

And the Honorable John Cain, His Majesty's Premier for the State of Victoria, shall give the necessary directions herein accordingly.

C. W. KINSMAN,
Clerk of the Executive Council.

MANSFIELD WATERWORKS TRUST.

At the Executive Council Chamber, Melbourne, the twentieth day of August, 1946.

PRESENT:

His Excellency the Lieutenant-Governor of Victoria.
Mr. Galvin | Mr. Fraser.

ADDITIONAL LOAN OF £8,000.

UNDER the powers conferred by the Water Acts and all other powers enabling him in that behalf, His Excellency the Lieutenant-Governor of the State of Victoria, by and with the advice of the Executive Council of the said State, doth hereby grant an additional loan of Eight thousand pounds (£8,000) to the Mansfield Waterworks Trust for new pipe mains and service basin, as set forth in the detailed statement bearing date the 8th August, 1946, and verified under the seal of the State Rivers and Water Supply Commission.

The loan hereby granted shall be subject to the provisions of the Water Acts.

And the Honorable Leslie William Galvin, His Majesty's Minister of Water Supply for the State of Victoria, shall give the necessary directions herein accordingly.

C. W. KINSMAN,
Clerk of the Executive Council.

No. 170.—8762/46.—2

Water Acts.

STATE RIVERS AND WATER SUPPLY COMMISSION.

At the Executive Council Chamber, Melbourne, the twentieth day of August, 1946.

PRESENT:

His Excellency the Lieutenant-Governor of Victoria.
Mr. Galvin | Mr. Fraser.

MAFFRA-SALE IRRIGATION AND WATER SUPPLY DISTRICT—DISTRICT EXTENDED.

UNDER the powers conferred by the Water Acts and all other powers enabling him in that behalf, His Excellency the Lieutenant-Governor of the State of Victoria, with the advice of the Executive Council of the said State, on the recommendation of the State Rivers and Water Supply Commission, doth hereby declare, order, and direct as follows:—
That the Maffra-Sale Irrigation and Water Supply District be extended by adding to the same the lands set out and described in the Schedule hereto, and as on and from the date of this Order such district shall be deemed to be so extended.

SCHEDULE.

Commencing at the south-western angle of subdivision A of allotment 75, Parish of Tinamba, County of Tanjil; thence northerly by the western boundary of that allotment to the Boggy Creek; thence generally easterly by that creek to the north-western boundary of the Traralgon and Stratford Railway Reserve; thence north-easterly by the last-mentioned boundary to the south-western angle of the land described in certificate of title, volume 4669, folio 933673; thence northerly by the western boundary of the land in the said certificate of title and by a line to the south-western angle of allotment 101H; thence easterly by the southern boundary of the last-mentioned allotment to a point in line with the eastern boundary of the land described in said certificate of title, volume 4669, folio 933673; thence southerly by a line and the last-mentioned boundary to the north-western boundary of the Traralgon and Stratford Railway Reserve; thence easterly by the last-mentioned boundary to the eastern boundary of subdivision B of allotment 72; thence southerly by the last-mentioned boundary to a point in line with the southern boundary of the Tinamba Railway Station Reserve; thence easterly by a line and the last-mentioned boundary to the eastern boundary of allotment 71A; thence southerly by the last-mentioned boundary and westerly by the southern boundary of the said allotment 71A to the left bank of a watercourse; thence generally south-westerly by that bank to the western boundary of allotment 70A; thence southerly by the eastern boundary of a two-chain road to the north-western angle of allotment 69A; thence westerly by a line and the southern boundaries of allotments 72, 73, 74, and 75 to the point of commencement.

The lands described in the foregoing Schedule are shown on a plan approved by the Governor in Council, and deposited in the office of the State Rivers and Water Supply Commission. (Corres. No. 46/14647.)

And the Honorable Leslie William Galvin, His Majesty's Minister of Water Supply for the State of Victoria, shall give the necessary directions herein accordingly.

C. W. KINSMAN,
Clerk of the Executive Council.

EDUCATION ACT 1928.

At the Executive Council Chamber, Melbourne, the twentieth day of August, 1946.

PRESENT:

His Excellency the Lieutenant-Governor of Victoria.
Mr. Galvin | Mr. Fraser.

REGULATION XXXVI. (B).—CONSOLIDATED SCHOOLS—AMENDED.

HIS Excellency the Lieutenant-Governor of the State of Victoria, by and with the advice of the Executive Council thereof, doth hereby by Order made on the 20th August, 1946, amend Regulation XXXVI. (B) Consolidated Schools, as follows, that is to say:—

In clause 31 for the words "allowance of 6d." there shall be substituted the words "allowance of 1s."

And the Honorable Francis Field, His Majesty's Minister of Public Instruction for the State of Victoria, shall give the necessary directions herein accordingly.

C. W. KINSMAN,
Clerk of the Executive Council.

FORESTS ACT 1928.

At the Executive Council Chamber, Melbourne, the twenty-seventh day of August, 1946.

PRESENT:

His Excellency the Lieutenant-Governor of Victoria.

Mr. Field

Mr. Stoneham.

LANDS DEDICATED AS PERMANENT FOREST.

WHEREAS by section 55 of the *Forests Act 1928* power was given to the Governor in Council to purchase any land which at an time is required by the State Forests Department for the purposes of the said Act, and by Order published in the *Government Gazette* dedicate the same as a permanent forest or as a timber reserve, and whereas, in pursuance of the aforesaid power, the Governor in Council has at various times purchased the lands described in the Schedule (No. 115) hereto: Now therefore His Excellency the Lieutenant-Governor of the State of Victoria, by and with the advice of the Executive Council of the said State, doth by this Order dedicate the lands described in the said Schedule as permanent forests.

SCHEDULE No. 115.

Parish.	County.	Allotment.	Section.	Area.	Shown on Plan of Forests Department.	Correspondence Number.
Allambee ..	Buln Buln ..	19A, 23, part 17A	488 0 28	Cty. 7E	45/070
Allambee East ..	Buln Buln ..	84	218 2 9	Cty. 7w	45/643
Allambee East ..	Buln Buln ..	125c	287 3 19	Cty. 7w	44/95
Ballaarat ..	Talbot ..	1A, 1B, 2 ..	V	50 0 3	17B	45/1053
Barramunga ..	Polwarth ..	26, 27	193 3 16	32	40/452
Billian ..	Anglesey ..	2 ..	B	638 1 8	44A	45/501
Binginwarri ..	Buln Buln ..	50C, 50C1	190 1 13	46A	41/981
Binginwarri ..	Buln Buln ..	52C, parts of 52A, 52B	196 0 23	46A	41/922
Binginwarri ..	Buln Buln ..	58J, 58J1	189 2 5	46A	43/1194
Binginwarri ..	Buln Buln ..	54C, 54J	164 3 27	46A	44/2006
Binginwarri ..	Buln Buln ..	Parts 58M	179 0 16	46A	45/344
Binginwarri ..	Buln Buln ..	60D	199 0 21	46B	45/790
Binginwarri ..	Buln Buln ..	53F, 68C, 68F, 68G, 51N	560 3 21	46A	44/1384
Binginwarri ..	Buln Buln ..	53B, parts of 53C	143 3 6	46A	43/2055
Binginwarri ..	Buln Buln ..	53H	184 0 38	46A	45/1653
Binginwarri ..	Buln Buln ..	30 ..	A	59 3 5	46B	44/1209
Binginwarri ..	Buln Buln ..	Part 59B	304 0 26	46A	44/2543
Boodyarn ..	Buln Buln ..	Part 15 ..	B	228 2 39	55	43/621
Boodyarn ..	Buln Buln ..	39A, parts of 39 ..	A	240 0 19	55	45/621
Budgeroe ..	Buln Buln ..	12A, 15A, part 12 ..	B	292 3 3	78C	41/741
Budgeroe ..	Buln Buln ..	Part 11, 12 ..	B	297 0 10	78C	41/737
Budgeroe ..	Buln Buln ..	Part 14 ..	B	250 0 0	78C	43/1055
Budgeroe ..	Buln Buln ..	33A, 33B, 33D, 33E, 33F, 33G	A	280 3 6	78C	42/878
Budgeroe ..	Buln Buln ..	22 ..	C	188 0 0	78C	41/981
Budgeroe ..	Buln Buln ..	18 ..	C	194 0 38	78C	41/981
Budgeroe ..	Buln Buln ..	14 ..	C	144 3 22	78C	41/981
Budgeroe ..	Buln Buln ..	9, 10 ..	C	159 1 3	78C	41/981
Budgeroe ..	Buln Buln ..	13B, part 13A ..	C	319 2 39	78C	41/981
Budgeroe ..	Buln Buln ..	Part 17 ..	B	292 1 10	78C	41/981
Budgeroe ..	Buln Buln ..	12 ..	C	179 0 27	78C	44/2573
Bulga ..	Buln Buln ..	30 ..	A	159 3 34	78B	41/994
Bulga ..	Buln Buln ..	13 ..	C	156 0 15	78B	39/1671
Bulga ..	Buln Buln ..	26 ..	C	122 1 20	78B	44/230
Bulga ..	Buln Buln ..	18, 18A, 18B, 18C ..	A	319 2 39	78B	44/1489
Bulga ..	Buln Buln ..	27A, 29B, 29C, part 27 ..	C	143 3 7	78B	43/1963
Bulga ..	Buln Buln ..	37 ..	C	166 1 4	78B	45/622
Bulga ..	Buln Buln ..	Part 4A, 5 ..	A	188 0 13	78B	45/853
Bullarto ..	Bourke ..	13, 14 ..	B	38 2 25	81	39/537
Bullarto ..	Bourke ..	15 ..	B	18 2 0	81	39/537
Callignee ..	Buln Buln ..	9A, 12, 13, 14, 14B, 16; 19, 20A, 28, parts of 9, 23A, 25 ..	B	1,757 0 7	103	41/1101
Callignee ..	Buln Buln ..	72, 72F, 72F1	267 2 19	103	40/1869
Callignee ..	Buln Buln ..	73 ..	no section	215 2 5	103	41/1912
Creswick ..	Talbot ..	Parts of 20 ..	A
Creswick ..	Talbot ..	Part 2 ..	S	5 0 34	149B	41/2130
Derril ..	Anglesey ..	1 ..	A	99 3 26	162	45/555
Drummond ..	Talbot ..	2 ..	4A	44 1 24	167	43/1395
Fumina ..	Buln Buln ..	102	203 3 13	193A	38/798
Fumina North ..	Buln Buln ..	10	135 2 3	193B	40/375
Glenaulin ..	Normanby ..	9 ..	A	318 3 31	198	41/654
Gunyah Gunyah ..	Buln Buln ..	3, 4, 4B	238 0 16	219B	42/433
Gunyah Gunyah ..	Buln Buln ..	25	192 2 38	219B	44/48
Gunyah Gunyah ..	Buln Buln ..	Parts of 29	180 0 11	219B	45/1059
Gunyah Gunyah ..	Buln Buln ..	36	167 2 9	219B	41/802
Gunyah Gunyah ..	Buln Buln ..	18	98 2 12	219B	41/1102
Gunyah Gunyah ..	Buln Buln ..	55	124 3 35	219B	41/1104
Gunyah Gunyah ..	Buln Buln ..	Part 42	129 0 6	219B	41/1189
Gunyah Gunyah ..	Buln Buln ..	Part 28	127 2 33	219B	42/327
Gunyah Gunyah ..	Buln Buln ..	Part 45	148 2 8	219B	40/3647
Gunyah Gunyah ..	Buln Buln ..	Part 22	167 2 33	219B	40/3647
Gunyah Gunyah ..	Buln Buln ..	46	122 0 11	219B	40/3647
Gunyah Gunyah ..	Buln Buln ..	23A	67 3 28	219B	40/3647
Gunyah Gunyah ..	Buln Buln ..	34B	63 3 6	219B	40/3647
Gunyah Gunyah ..	Buln Buln ..	Parts of 32A	158 1 32	219B	38/3112

LANDS DEDICATED AS PERMANENT FOREST.—SCHEDULE NO. 115—continued.

Parish.	County.	Allotment.	Section.	Area.	Shown on Plan of Forests Department.	Correspondence Number.
Gunyah Gunyah	Buln Buln	48		A. R. P. 132 2 3	219B	41/1095
Gunyah Gunyah	Buln Buln	56		129 0 15	219B	40/1312
Gunyah Gunyah	Buln Buln	21, 21A, 22A		257 0 12	219B	42/93
Gunyah Gunyah	Buln Buln	10		179 3 20	219B	41/995
Jeeralang	Buln Buln	12	A	146 0 0	232A	42/93
Jeeralang	Buln Buln	Part 22	A	170 3 27	232A	41/981
Jeeralang	Buln Buln	14	B	152 1 22	232A	46/623
Jindivick	Buln Buln	91, part 92		501 0 11	236	38/1723
Jumbuk	Buln Buln	23, parts of 23A, 23B	A	235 0 12	238B	41/1105
Jumbuk	Buln Buln	Part 6A, 6B	A	305 2 37	238B	41/792
Jumbuk	Buln Buln	Part 8E	A	46 0 8	238B	41/359
Jumbuk	Buln Buln	18, 18A, 21	A	275 0 24	238B	41/754
Jumbuk	Buln Buln	8E, 14F	A	365 1 39	238B	41/740
Jumbuk	Buln Buln	Part 42	A	178 3 18	238B	41/358
Jumbuk	Buln Buln	Part 5A, 5B	A	307 2 38	238B	41/820 41/921
Jumbuk	Buln Buln	Part 2	A	144 3 15	238B	41/980
Jumbuk	Buln Buln	28, 29	A	374 2 4	238B	43/1431
Jumbuk	Buln Buln	4A	A	137 2 34	238B	41/981
Jumbuk	Buln Buln	39, 39A, 39B, 39C	A	168 3 7	238B	44/995
Kaerwut	Tambo	B		49 1 29	Cty. 32	41/196
Macedon	Bourke	9A, 9A1, 9B, 9B1		272 1 30	290C	43/1359
Macedon	Bourke	N	C	47 1 33	290A	41/2098
Marlooh	Tanjil	21, 21A, 21B		535 3 17	Cty. 33E	40/3201
Mirboo	Buln Buln	89B, parts of 89D, 89F		242 3 10	304B	41/1435
Mirboo	Buln Buln	135A, 135B		292 3 28	304B	41/1074
Mirboo	Buln Buln	89C, parts of 89A, 89B		540 2 7	304B	41/1056
Mirboo	Buln Buln	125B, 145		216 1 32	304A	44/68
Mirboo	Buln Buln	125A		226 0 5	304A	42/107
Mirboo	Buln Buln	Parts of 135C		126 0 30	304B	41/1106
Mirboo South	Buln Buln	54, 54A1, 54B		240 3 0	Cty. 7w	44/2200
Mirboo South	Buln Buln	53C		157 2 3	Cty. 7w	41/1102
Moe	Buln Buln	28, 28A		286 3 32	3C	41/1801
Murrungowar	Croajingolong	61A, 61B		180 3 7	Cty. 8w	40/1259
Myrtleford	Bogong	10	7	126 2 38	343	44/503
Nangana	Evelyn	62		319 1 6	344	39/488
Nangana	Evelyn	5, 5A, 5A1, 5A2		466 0 37	344	44/71
Narracan	Buln Buln	16A, 16B		152 2 37	Cty. 7w	41/981
Noojee	Buln Buln	17A, 17B		299 1 12	364	39/1232
Olangolah	Polwarth	Part 14B		4 0 4	373	44/2284
St. Arnaud	Kara Kara	15A	13A	27 2 8	400	41/1788
Tambo	Dargo	10, 12	C	277 1 8	424B	38/1332
Tambo	Dargo	5, 6, 7	C	349 0 22	424B	38/583
Tambo	Dargo	14C, 14D, part 13A	A	461 1 0	424B	39/2495
Tonimbuk	Mornington	3		105 0 33	447A	41/1511
Tonimbuk East	Mornington	14		320 0 0	447B	43/1856
Toombullup	Delatite	48		100 0 0	450C	43/897
Toongabbie North	Tanjil	127B		280 2 1	Cty. 33w	38/672
Wallan Wallan	Bourke	2	J	313 0 0	467B	43/1321
Wamba	Dargo	13A		639 3 13	Cty. 10	37/1262
Warburton	Evelyn	50A		100 2 23	474B	39/1043
Weeaprounah	Polwarth	34C, 34D		288 2 13	485D	40/1231
Wongarra	Polwarth	26		216 0 7	505	45/1485
Wongarra	Polwarth	Part 16C		70 2 18	505	38/1713
Wonyip	Buln Buln	7, 7B, part 7A		151 2 22	506A	45/953
Wonyip	Buln Buln	53		171 0 0	506A	39/660
Wonyip	Buln Buln	10, 28, 28A, 28B, 66		393 2 27	506A	41/900
Wonyip	Buln Buln	57		319 2 3	506A	44/821
Wonyip	Buln Buln	19		187 1 33	506A	44/1274
Wonyip	Buln Buln	44		170 2 12	506A	38/3112
Wonyip	Buln Buln	8		105 3 2	506A	45/969
Woodbourne	Anglesey	85		639 3 29	507B	43/1308
Woodbourne	Anglesey	Part 77A		100 1 38	507B	42/1218
Woolpoorer	Dundas	40A, 40B		739 3 12	510A	40/154
Woorarra	Buln Buln	50	B	143 0 38	511B	41/1307
Woorarra	Buln Buln	Parts of 48	B	119 1 24	511B	41/1073
Woorarra	Buln Buln	35	A	133 0 29	511B	44/2394
Wyanglata	Polwarth	2, 2A, 3	A	518 2 11	519	40/1281
Wyanglata	Polwarth	3	B	238 0 0	519	44/2085
Wy-Yung	Dargo	29A, 29B	4	483 0 0	521B	38/916
Wy-Yung	Dargo	113, 113A		362 0 29	521B	40/1557
Wy-Yung	Dargo	112, 112A		632 2 14	521B	41/1186
Wy-Yung	Dargo	Part 103		70 0 3	521B	39/881

And the Honorable William Peter Barry, His Majesty's Minister of Forests for the State of Victoria, shall give the necessary directions herein accordingly.

C. W. KINSMAN,
Clerk of the Executive Council.

MINISTRY OF HEALTH ACT 1943 (No. 4988).

At the Executive Council Chamber, Melbourne, the
twentieth day of August, 1946.

PRESENT:

His Excellency the Lieutenant-Governor of Victoria.
Mr. Galvin | Mr. Fraser.

REGULATIONS.—CONSULTATIVE COUNCIL IN RESPECT OF TREATMENT, AFTER-CARE, AND REHABILITATION OF PERSONS SUFFERING FROM POLIOMYELITIS.

WHEREAS, pursuant to section 11 of the *Ministry of Health Act 1943*, the Governor in Council did on the 23rd day of July, 1946, make the *Ministry of Health (Poliomyelitis) Regulations 1946*: And whereas it is desired to amend such Regulations: Now therefore His Excellency the Lieutenant-Governor of the State of Victoria, by and with the advice of the Executive Council thereof, and in pursuance of the powers vested in him by the said section 11 of the *Ministry of Health Act 1943*, doth hereby amend the said Regulations as follows:—

In the paragraph of such Regulations headed "Duties and Powers of Council"—

- (i) at the end of sub-paragraph (b) the following words shall be inserted "or at such other places as the Council with the approval of the Minister determines," and
- (ii) at the end of sub-paragraph (c) the following words shall be inserted "or to make such other arrangements in regard thereto as the Council with the approval of the Minister may determine."

And the Honorable William Peter Barry, His Majesty's Minister of Health in the State of Victoria, shall give the necessary directions herein accordingly.

C. W. KINSMAN,
Clerk of the Executive Council.

FORESTS ACT 1928.

At the Executive Council Chamber, Melbourne, the
twenty-seventh day of August, 1946.

PRESENT:

His Excellency the Lieutenant-Governor of Victoria.
Mr. Field | Mr. Stoneham.

EXCHANGE OF FOREST LAND.

IN pursuance of section 54 of the *Forests Act 1928*, His Excellency the Lieutenant-Governor of the State of Victoria, by and with the advice of the Executive Council thereof, doth hereby approve that the area of land in the Parish of Enfield, described in Schedule "B" hereunder, be excised from the forest reserve, and that the area of private property in the Parish of Lynchfield, described in Schedule "A" hereunder, be acquired in exchange in lieu thereof and dedicated as permanent forest.

EXCHANGE SCHEDULE.

SCHEDULE "A."

Land Acquired.

Dedication Schedule No. 117.

Alienated land acquired from William Harrison, of Enfield, in exchange for an area of Permanent Forest Reserve described in Schedule "B," and dedicated as Permanent Forest, 3 acres more or less, Parish of Lynchfield, County of Grenville, being allotment 12, section A1, and being the land described in Certificate of title, volume 3421, folio 684153, lodged at the Office of Titles, Melbourne.

SCHEDULE "B."

Land Excised.

Excision Schedule No. 94.

Land excised from the Permanent Forest for William Harrison, of Enfield, in exchange for the land described in Schedule "A"—2 acres, Parish of Enfield, County of Grenville, being the land shown on plan marked A37/376 over 1/11/45 in file No. 37/376 of the Forests Department.

And the Honorable William Peter Barry, His Majesty's Minister of Forests for the State of Victoria, shall give the necessary directions herein accordingly.

C. W. KINSMAN,
Clerk of the Executive Council.

FORESTS ACT 1928.

At the Executive Council Chamber, Melbourne, the
twenty-seventh day of August, 1946.

PRESENT:

His Excellency the Lieutenant-Governor of Victoria.
Mr. Field | Mr. Stoneham.

EXCHANGE OF FOREST LAND.

IN pursuance of section 54 of the *Forests Act 1928*, His Excellency the Lieutenant-Governor of the State of Victoria, by and with the advice of the Executive Council thereof, doth hereby approve that the area of land in the Parish of Narrawong, described in Schedule "B" hereunder, be excised from the forest reserve, and that the area of private property in the Parish of Gorae, described in the Schedule "A" hereunder, be acquired in exchange in lieu thereof and dedicated as permanent forest.

EXCHANGE SCHEDULE.

SCHEDULE "A."

Land Acquired.

Dedication Schedule No. 116.

Alienated land acquired from William John Williamson, of Portland, in exchange for an area of Permanent Forest Reserve described in Schedule "B," and dedicated as Permanent Forest, 64 acres 0 roods 6 perches, Parish of Gorae, County of Normanby, being the portions of Crown allotments 10A and 10B, section 3, shown on plan 44/802 over 3/8/46 in file of correspondence No. 44/802 of the Forests Department, and being portion of the land described in Crown grant, volume 4687, folio 937241, lodged at the Office of Titles, Melbourne.

SCHEDULE "B."

Land Excised.

Excision Schedule No. 93.

Land excised from the Permanent Forest for William John Williamson, of Portland, in exchange for the land described in Schedule "A"—54 acres, 3 roods, Parish of Narrawong, County of Normanby, being allotment 26 of section A, shown on survey plan 37190 lodged with the Department of Lands and Survey.

And the Honorable William Peter Barry, His Majesty's Minister of Forests for the State of Victoria, shall give the necessary directions herein accordingly.

C. W. KINSMAN,
Clerk of the Executive Council.

STATE ELECTRICITY COMMISSION ACTS.

At the Executive Council Chamber, Melbourne,
the twenty-seventh day of August, 1946.

PRESENT:

His Excellency the Lieutenant-Governor of Victoria.
Mr. Field | Mr. Stoneham.

REVOCATION OF THE BOROUGH OF INGLEWOOD ELECTRIC LIGHTING ORDER No. 22, 1904.

WHEREAS the Borough of Inglewood is the undertaker, under the Borough of Inglewood Electric Lighting Order No. 22, 1904 (herein referred to as "the said Order"), authorizing the undertaker to supply electricity within the municipal district of Inglewood: And whereas the said Borough has consented to the revocation of the said Order as and from the third day of December, 1946: Now therefore His Excellency the Lieutenant-Governor of the State of Victoria, by and with the advice of the Executive Council thereof, doth hereby revoke the said Order, such revocation to date from the third day of December, One thousand nine hundred and forty-six.

And the Honorable Patrick John Kennelly, His Majesty's Minister in Charge of Electrical Undertakings for the State of Victoria, shall give the necessary directions herein accordingly.

C. W. KINSMAN,
Clerk of the Executive Council.

POLICE REGULATION ACT 1946.

At the Executive Council Chamber, Melbourne, the twenty-seventh day of August, 1946.

PRESENT:

His Excellency the Lieutenant-Governor of Victoria.
Mr. Field | Mr. Stoneham.

POLICE CLASSIFICATION BOARD.
REGULATION.

WHEREAS by section twenty-one of the *Police Regulation Act 1946*, it is amongst other things enacted that the Governor in Council may make Regulations for or with respect to approving the Police Association as a body by which representations may be made to the Police Classification Board in relation to salaries and wages and conditions of service in the Police Force:

Now therefore, His Excellency the Lieutenant-Governor of the State of Victoria, in the Commonwealth of Australia, by and with the advice of the Executive Council of the said State, and in pursuance of the powers conferred by the *Police Regulation Act 1946*, and all other powers him thereunto enabling, doth hereby make the Regulation following (that is to say):—

The Police Association is approved as a body by which representations may be made to the Police Classification Board in relation to salaries and wages and conditions of service in the Police Force.

And the Honorable William Slater, His Majesty's Chief Secretary for the State of Victoria, shall give the necessary directions herein accordingly.

C. W. KINSMAN,
Clerk of the Executive Council.

ROAD TRAFFIC ACT 1935, SECTION 3.

At the Executive Council Chamber, Melbourne, the twenty-seventh day of August, 1946.

PRESENT:

His Excellency the Lieutenant-Governor of Victoria.
Mr. Field | Mr. Stoneham.

HIS Excellency the Lieutenant-Governor of the State of Victoria, by and with the advice of the Executive Council thereof, and pursuant to the provisions of section 3 of the *Road Traffic Act 1935*, doth hereby make the Regulation following, that is to say:—

For the purposes of the Road Traffic Regulations 1939, that portion of Anderson-street, in the City of Footscray, from Williamstown-road to Willis-street is hereby designated a "major street."

And the Honorable William Slater, His Majesty's Chief Secretary for the State of Victoria, shall give the necessary directions herein accordingly.

C. W. KINSMAN,
Clerk of the Executive Council.

PUBLIC TRUSTEE ACT 1939 (No. 4654).

At the Executive Council Chamber, Melbourne, the twenty-seventh day of August, 1946.

PRESENT:

His Excellency the Lieutenant-Governor of Victoria.
Mr. Field | Mr. Stoneham.

IN accordance with the provisions of section 6 of the *Public Trustee Act 1939* (No. 4654), His Excellency the Lieutenant-Governor of the State of Victoria, by and with the advice of the Executive Council thereof, doth by this Order hereby appoint COLIN JAMES GARDNER, Acting Public Trustee, during the absence of the Public Trustee, for the period 29th August, 1946, to the 18th September, 1946, both dates inclusive.

And the Honorable John Cain, His Majesty's Treasurer for the State of Victoria, shall give the necessary directions herein accordingly.

C. W. KINSMAN,
Clerk of the Executive Council.

HEARING OF REASONS AGAINST THE FORFEITURE OF CERTAIN LICENCES AND LEASES BY PERSONS APPOINTED UNDER 34TH SECTION OF THE LAND ACT 1928.

NOTICE is hereby given that reasons against the forfeiture of the licences and leases in the Schedule hereto, which are deemed liable to forfeiture under the provisions of the Land Acts, will be publicly heard by the persons appointed by me, the responsible Minister of the Crown administering the said Acts, to hear the same and report thereon in writing to me, when the persons in the said Schedule mentioned as holders of such licences and leases will be allowed to show cause against the same at the places and on the dates mentioned in the Schedule hereto.

L. W. GALVIN,
Commissioner of Crown Lands and Survey.
Department of Lands and Survey,
Melbourne, 26th August, 1946.

SCHEDULE.

LAND OFFICE, SALE, Tuesday, 10th September, 1946, at Two p.m., R. A. Walker, Land Officer, Sale—

4374/59.61, Frederick William Horstman, 346a. 1r. 38p., Wa-de-lock; 0363/54.56, Bessie Caroline Gay, 348a. 0r. 25p., Gillum; 496/50, Leonard Frederick McConnell, 587a. 1r. 25p., Booran; 64/44 (Permit), Ralph Edwin Milner, 1,065a. 0r. 36p., Booran.

PROPOSED REVOCATION OF TEMPORARY RESERVATIONS OF LANDS BY ORDERS IN COUNCIL.

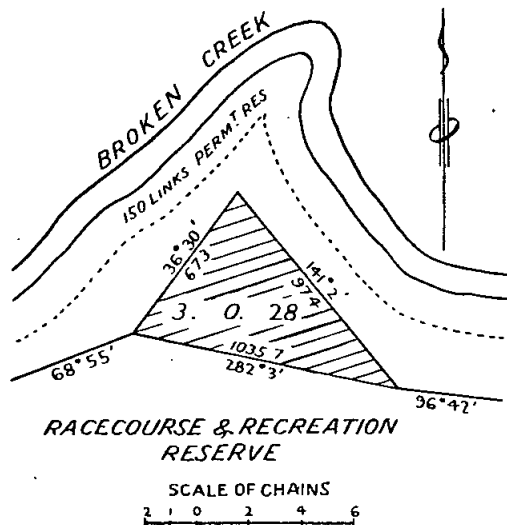
IN pursuance of the provisions of the *Land Act 1928*, notice is hereby given that it is the intention of the Governor in Council to revoke the temporary reservations of lands by Orders in Council hereunder referred to, viz.:—

The following Notice was published 1° on the 7th August, 1946, pursuant to Order of the 30th July, 1946.

MARYBOROUGH.—The Order in Council of the 27th September, 1897, temporarily reserving 2 roods 0 4/10 perches of land in the municipal district of Maryborough, being part of section 30, as a site for Municipal purposes, is about to be revoked.—(M.66(9) (Rs.5729).

The following Notice was published 1° on the 28th August, 1946, pursuant to Order of the 20th August, 1946.

NUMURKAH.—The Order in Council of the 4th of July, 1906, temporarily reserving 112 acres 3 roods and 24 perches of land in the township of Numurkah as a site for a Racecourse and other purposes of Public Recreation, is about to be revoked, so far as regards the portion indicated by hachure on plan hereunder.—(Benalla T.P. 17A) (Rs.1506).

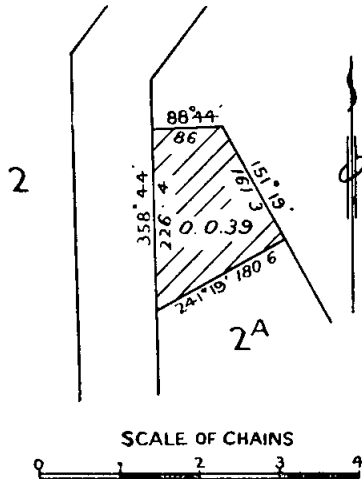


LAND PROPOSED TO BE PERMANENTLY RESERVED.

IN pursuance of the provisions of the *Land Act 1928*, notice is hereby given that it is the intention of the Governor in Council to permanently reserve and except from occupation for mining purposes under any miner's right, the land hereunder described, viz.:

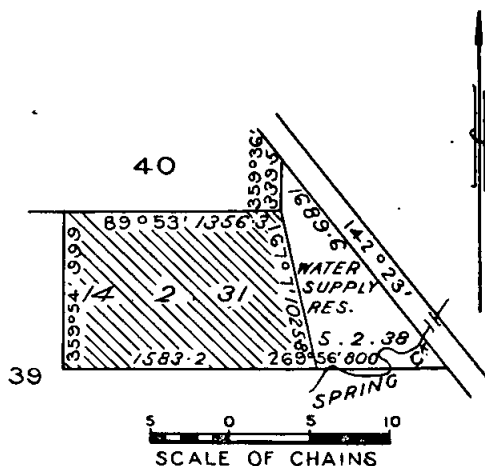
The following Notice was published 1° on the 7th August, 1946, pursuant to an Order of the 3rd June, 1946.

WONGARRA.—Site for Road and Public purposes, 39 perches, Parish of Wongarra, County of Polwarth, as indicated by hachure on plan hereunder.—W.374 (3) (Rs.3989).



The following Notice was published 1° on the 21st August, 1946, pursuant to Order of the 13th August, 1946.

KILLAWARRA.—The Order in Council of the 23rd March, 1911, temporarily reserving 20 acres 1 rood 30 perches of land in the Parish of Killawarra, as a site for Water Supply purposes is about to be revoked so far as regards the portion thereof comprising 14 acres 2 roods 31 perches, as indicated by hachure on plan hereunder.—(K.124 (3) (Rs.1251).



L. W. GALVIN,
Commissioner of Crown Lands and Survey.

COMMITTEES OF MANAGEMENT OF RESERVES.

APPOINTMENTS.

WHEREAS by section 184 of the *Land Act 1928* it is provided that it shall be lawful for the Governor in Council or the Board of Land and Works to appoint and remove any number of persons, not less than three, or any municipal council, or the governing body of any corporation, to be a Committee of Management of any specified Crown land reserved either temporarily or permanently for any of the purposes set out in section 14 of the *Land Act 1928*, and not conveyed to or vested in trustees: Now therefore the Board of Land and Works doth hereby appoint the under-mentioned persons to be members of the Committee of Management of the Reserves named:—

“ROSEDALE RACECOURSE AND RECREATION RESERVE AND ROSEDALE CRICKET AND RECREATION RESERVE.”

Walter James Andrews, William Herbert Holloway, Leslie Vance Williams, George William Roddan Anderson, and Robert Dawe as a Committee of Management for a period of three (3) years of the land temporarily reserved by Order in Council dated the 9th August, 1869, as a site for Public Recreation at Rosedale, and known as the “Rosedale Racecourse and Recreation Reserve,” and of the land temporarily reserved by Order in Council dated the 30th August, 1875, as a site for Cricket and Recreation in the Township of Rosedale, and known as the “Rosedale Cricket and Recreation Reserve.”—(Corres Rs.3587, Rs.735.)

“BALLAN RACECOURSE AND RECREATION RESERVE.”

Campbell Fraser Myers, Hubert Randall Chambers, Alfred Percy Blake, James Andrew Joseph Bence, and Sydney Charles Maddison as a Committee of Management for a period of three (3) years of the land permanently reserved by Order in Council dated the 28th July, 1873, as a site for Racecourse and Recreation purposes in the Parish of Moorabool-West, and known as the “Ballan Racecourse and Recreation Reserve.”—(Corres. Rs.12.)

“BAYUP (BARRY'S REEF) MECHANICS' INSTITUTE RESERVE.”

James Frederick Gawne, Thomas John Arthur Shaw, John Murphy, Elizabeth Ann Murphy, Charlotte Lora Trezise Rae, J. Callaghan, Thomas John Patrie Johnson, Ada Donahue, Eleanor Inez Gawne, and H. Anderson as a Committee of Management for a period of three (3) years of the land temporarily reserved by Order in Council dated the 25th November, 1879, as a site for a Mechanics' Institute at Bayup, and known as the “Barry's Reef Mechanics' Institute Reserve.”—(Corres. Rs.4971.)

“LONGWARRY RECREATION RESERVE.”

William Leslie Caldwell, McCarthy Edwin Ryan, Alfred Joseph Toy, Alan Ephraim Bruton, Stanley Donnelly, James Hugh Jones, Arthur Grantley Shaw, Edwin Stanley Wenn, Albert John Betteridge, Francis George Toy, and George Joseph Sadler as a Committee of Management for a period of three (3) years of the Reserve for Public Recreation in the Township of Longwarry, situate in section 15, and known as the “Longwarry Recreation Reserve.”—(Corres. Rs.438.)

“TUNGAMAH MECHANICS' INSTITUTE AND FREE LIBRARY RESERVE.”

Norman Jellicoe Skinner as a member of the Committee of Management for the period ending the 26th March, 1949, of the land permanently reserved by Order in Council dated 28th November, 1887, as a site for a Mechanics' Institute and Free Library at Tungamah, and known as the “Tungamah Mechanics' Institute and Free Library,” in the place of Colin Percival Nicholls, resigned.—(Corres. Rs.5283.)

“MT. GREENOCK MEMORIAL CAIRN RESERVE.”

Francis Alfred Wood, Thomas John Bell, William George Hall, John Herbert Weilandt, and William Thomas Rodgers as a Committee of Management for a period of three (3) years of the land permanently reserved by Order in Council dated the 8th March, 1932, as a site for Public purposes in the Parish of Amherst, and known as the “Mt. Greenock Memorial Cairn Reserve.”—(Corres. Rs.4151.)

“BRIDGEWATER PUBLIC PARK.”

Thomas Learmonth, William Wright, Thomas Lvneh, Leslie Knoblock, William Wickham, James Harrison, Richard Harris, Eric Burge, and Edward Hogan as a Committee of Management for a period of three (3) years of the land temporarily reserved by Orders in Council dated 12th November, 1888, and 2nd August, 1889, as a site for Public Recreation and for a Public Park in the Town of Bridgewater, and known as the “Bridgewater Public Park.”—(Corres. Rs.1495.)

“BEAZLEY’S BRIDGE RECREATION AND PUBLIC HALL RESERVES.”

Thomas James Jackson, Donald Fraser McIvor, and George William Greenaway as a Committee of Management for a period of three (3) years of the land temporarily reserved by Order in Council dated the 29th July, 1895, as a site for Public Recreation in the Parish of Tottingham, and known as the “Beazley’s Bridge Recreation and Public Hall Reserves.”—(Corres. Rs.1625.)

“BLACKWOOD MECHANICS’ INSTITUTE RESERVE.”

Arnold Noall, Mark Eugene Walker, and Ernest Richard Terrill as a Committee of Management for a period of three (3) years of the land temporarily reserved by Orders in Council dated the 7th March, 1870, and 27th April, 1880, as a site for a Mechanics’ Institute at Blackwood, and known as the “Blackwood Mechanics’ Institute Reserve.”—(Corres. Rs.4711.)

“FERNVALE RECREATION RESERVE.”

William Geoffrey Paton, Roy Stuart Paton, Archibald John Paton, Roy Fraser Paton, James Archibald Paton, Harold Charles Dudley Brindley, Ronald Henry Hunt, Charles Archibald Paton, and Andrew Paton as a Committee of Management for a period of three (3) years of the land temporarily reserved by Order in Council dated 13th February, 1894, as a site for Public Recreation in the Parish of Bolga, and known as the “Fernvale Public Recreation Reserve.”—(Corres. Rs.1346.)

“WANDO VALE PUBLIC HALL RESERVE.”

Angus Wathen, James Nolan, Terence Peate Davidson, Thomas Michael Mullane, George Thomas Munro, Melville John Cleary, and Edward Patrick O’Connell as a Committee of Management for a period of three (3) years of the land temporarily reserved on the 22nd July, 1902, as a site for a Public Hall in the Township of Wando Vale, and known as the “Wando Vale Public Hall Reserve.”—(Corres. Rs.5839.)

“AXEDALE RACECOURSE AND RECREATION RESERVE.”

Edmond Francis McKenzie as a member of the Committee of Management, in the place of Michael Francis Browne (resigned), for the term ending 2nd May, 1947, of the Reserve

for a Racecourse and General Recreation purposes in the Town of Axedale, known as the “Axedale Racecourse and Recreation Reserve.”—(Corres. Rs.19.)

“RHEOLA KINGOWER PUBLIC HALL RESERVE.”

Louis Edward Webb, Raymond Henry Roberts, Charles Martin Queripel, William Yorath, Charles Godfrey Leach, Stanley Ross Catto, and William Robert Soulsby as a Committee of Management for a period of three (3) years of the land temporarily reserved by Order in Council dated 9th November, 1915, as a site for a Public Hall in the Parish of Kingower, and known as the “Rheola Public Hall Reserve.”—(Corres. Rs.1064.)

“BARING RECREATION RESERVE.”

Matthew Urban Walch, Norman Tozer, Charles Michael Maginness, William James Mole, and Arthur Sydney Grigg, as a Committee of Management for a period of three (3) years of the land temporarily reserved by Order in Council dated 14th September, 1930, as a site for Public purposes and Recreation in the Parish of Baring, and known as the “Baring Recreation Reserve.”—(Corres. Rs.4613.)

“TOORA PUBLIC PURPOSES RESERVE.”

The Council of the Shire of South Gippsland as a Committee of Management of the land temporarily reserved by Order in Council dated 6th August, 1946, as a site for Public purposes in the Parish of Toora, and known as the “Toora Public Purposes Reserve.”—(Corres. Rs.5842.)

“FAWCETT HALL RESERVE.”

James Stanley Mackrell, Charles Newman, and William Henry Parsons as a Committee of Management for a period of three (3) years of the land permanently reserved by Order in Council dated 14th November, 1887, as a site for a Mechanics’ Institute and Free Library in the Parish of Alexandra, and known as the “Fawcett Mechanics’ Institute Reserve.”—(Corres. C.73245.)

“WARRENBAYNE RECREATION RESERVE.”

John Crilly, Albert Thomas James, William Hopkins, Robert Copeman, and Joseph Heywood as a Committee of Management for a period of three (3) years of the land temporarily reserved by Order in Council dated the 2nd April, 1906, as a site for Public Recreation in the Parish of Samaria, and known as the “Warrenbayne Recreation Reserve.”—(Corres. Rs.3540.)

In witness whereof the common seal of the Board of Land and Works was hereunto affixed this twenty-second day of August, One thousand nine hundred and forty-six, in the presence of—

(SEAL) L. W. GALVIN, President.
J. E. HUNTER, Member.

Land Act 1928.

LEASE SURRENDERED.

NOTICE is hereby given that the Governor in Council has accepted the surrender of the Lease mentioned in the Schedule hereunder for the reason specified.

District.	Corr. No.	Name.	Section of Land Act under which Leased.	Parish.	Allotment.	Area.	Class.	Reason.
Melbourne ..	0535/125	Sigma Company Limited	125	City of Port Melbourne, Melbourne South	4A, section 60	A. R. P. 1 2 0	..	New lease to issue

Department of Lands and Survey,
Melbourne, 20th August, 1946.

L. W. GALVIN,
Commissioner of Crown Lands and Survey.

LIST OF CROWN LANDS AVAILABLE.

THE under-mentioned areas are available for application as provided by various sections of the *Land Act 1928*, and all applications received on or before Wednesday, 25th September, 1946, will be deemed to have been simultaneously made, but any application lodged after such date may be considered if received in time for inclusion in the advertisement of the cases to be heard at the Local Land Board.

Applications on proper form, accompanied by 5s. duty stamp uncancelled (registration fee), may be delivered or forwarded by post to the Local Land Officer or to any Crown Lands Office in Victoria.

Applicants may obtain from Local Land Officers, or the Enquiry Office, Lands Department, Melbourne, a certificate authorizing the issue by the Railway Department of a return ticket at concession fares to enable them to inspect available areas or to attend Local Land Boards. When an applicant is granted an allotment he may, if travelling by rail, obtain reduced fares for his family and also freight concessions in regard to some of his effects.

Marked plans of any particular area, application forms, and any further information may be obtained from the Enquiry Office, Lands Department, Melbourne, and Land Officers, Beechworth and Bendigo.

Department of Crown Lands and Survey,
Melbourne, 26th August, 1946.

L. W. GALVIN,
Commissioner of Crown Lands and Survey.

* Improvements may be subject to re-valuation after land has been granted to an applicant.

Local Land Office.	County.	Parish.	Allotment.	Section.	Area.	How available.		Survey Fee.	Valuation of Improvements (if any).	Location of Land, &c.	Nearest Railway Station and Distance in miles therefrom.	How accessible.	Water Supply.	General Description of Land—Soil, Timber, Suitability (Grain, &c.)
						Classification.	Value per Acre.							
						A.	R.	T.	£ s. d.		£ s. d.			
Bendigo	Bendigo	Sandhurst	2	H3	0 2 0 ¹ / ₂		Auriferous	3 15 0	Nil	East of Kangaroo Flat township	Kangaroo Flat R.S., 1 mile	By road ..	To be con-served	Gravelly soil. Area is cleared and grassed; suitable for grazing. Bendigo W.64543
AURIFEROUS LANDS.														
DIVISION 5, PART I., LAND ACT 1928.														
Beechworth (a)	Delatite	Bright	4	M	2 2 0		Dwelling and garden	3 7 6	Nil	In north of parish	Bright R.S., 3 miles	Fronting main Bright-Harrietville road	To be con-served	Suitable for dwelling and garden. Beechworth H.01744
AVAILABLE UNDER SECTION 129, LAND ACT 1928.														

(a) Subject to survey.

TENDERS.

TENDERS will be received at this office until TEN A.M. on the days and for the purposes under mentioned. Particulars may be learnt at this office, and also at the offices named in each instance.

The Board of Land and Works will not necessarily accept the lowest or any tender.

3rd September, 1946.

Allambee South.—Painting, repairs, new tank stand, &c., State School No. 3075. Particulars at Inspector of Works Office, Korumburra; Police Stations, Mirboo North, Warragul; State School, Allambee South. Deposit, £4.

Ararat.—Electrical installation in additions for technical classes, High School. Particulars at Inspector of Works Office, Stawell; Police Station, Ararat. Preliminary deposit, £10. Final deposit, 2 per cent.

Ararat.—Erection of timber and brick storage sheds, Mental Hospital. Particulars at Inspector of Works Office, Ballarat, Stawell; Police Station, Ararat; Mental Hospital, Ararat. Preliminary deposit, £15. Final deposit, 2 per cent.

Aspendale.—General repairs, external painting, and internal renovations, State School No. 4193. Particulars at Police Station, Frankston; State School, Aspendale. Preliminary deposit, £4. Final deposit, 2 per cent.

Bairnsdale.—Erection of Police Offices in brick, Police Station. Particulars at Inspector of Works Office, Bairnsdale; Police Stations, Bairnsdale, Sale. Preliminary deposit, £15. Final deposit, 2 per cent.

Ballendella.—Repairs, painting, and internal renovations, residence, State School No. 3732. Particulars at Inspector of Works Office, Bendigo; Police Stations, Rochester, Echuca; State School, Ballendella. Deposit, £3.

Beechworth.—Alterations and additions to hot-water service, Reformatory Prison. Particulars at Inspector of Works Office, Wangaratta; Police Station, Beechworth. Preliminary deposit, £5. Final deposit, 2 per cent.

Branxholme.—Alterations, repairs, and painting, Police Station. Particulars at Inspector of Works Office, Stawell; Police Stations, Ararat, Branxholme, and Hamilton. Deposit, £4.

Burnley Gardens.—Adaptation of two Army huts as classroom and offices, School of Horticulture. Particulars at Burnley Gardens. Preliminary deposit, £10. Final deposit, 2 per cent.

Cowes.—Repairs, fencing, and painting, State School No. 1282. Particulars at Police Stations, Frankston, Wonthaggi; State School, Cowes. Preliminary deposit, £5. Final deposit, 2 per cent.

Eltham.—Repairs, painting, &c., school and residence, State School No. 209. Particulars at State School, Eltham. Deposit, £4.

Elwood.—Repairs to roof and shelter pavilions, Central School No. 3942. Particulars at Central School, Elwood. Deposit, £4.

Fitzroy.—Internal repairs, painting, and renovations, Girls' School. Particulars at Girls' School, Fitzroy. Preliminary deposit, £5. Final deposit, 2 per cent.

Footscray.—Sewerage installation, Technical School. Preliminary deposit, £5. Final deposit, 2 per cent.

Glen Forbes.—Repairs and painting, State School No. 4008. Particulars at Inspector of Works Office, Korumburra; Police Stations, Wonthaggi, Loch; State School, Glen Forbes. Deposit, £3.

Hallam.—Repairs, painting, &c., State School No. 244. Particulars at Police Station, Dandenong; State School, Hallam. Deposit, £4.

Melbourne.—Sale of Ford 12-cwt. utility truck, 1939 model, mileage 73,000. Particulars at P.W.D. Storeyard, South Melbourne. Preliminary deposit, £10.

Melbourne.—Supply and installation of propeller fans and ducting in chemistry laboratories, Technical College. Preliminary deposit, £5. Final deposit, 2 per cent.

Melbourne.—Supply and installation of cold cathode fluorescent lighting equipment, new extension, Emily McPherson College of Domestic Economy. Preliminary deposit, £3. Final deposit, 2 per cent.

Mont Park.—External renovations and painting, Nurses' Home, Mental Hospital. Preliminary deposit, £5. Final deposit, 2 per cent.

Newbridge.—Repairs and renovations, State School No. 457. Particulars at Inspector of Works Office, Bendigo, Maryborough; Police Stations, Dunolly, Inglewood; State School, Newbridge. Deposit, £4.

Rushworth.—Repairs, painting, and fencing, Court House and Police Station. Particulars at Inspector of Works Office, Shepparton; Police Stations, Rushworth, Echuca, Seymour. Preliminary deposit, £4. Final deposit, 2 per cent.

Rye.—Repairs and painting, residence, State School No. 1667. Particulars at Police Stations, Frankston, Mornington; State School, Rye. Deposit, £3.

South Melbourne.—Alterations, additions, and painting, J. H. Boyd College of Domestic Economy. Deposit, £5.

St. James.—Repairs and painting, State School No. 2579. Particulars at Inspector of Works Office, Benalla, Wangaratta; State School, St. James. Deposit, £3.

Swan Reach.—Repairs and painting, State School No. 1631. Particulars at Inspector of Works Office, Bairnsdale; Police Station, Sale; State School, Swan Reach. Preliminary deposit, £5. Final deposit, 2 per cent.

Tynong.—Repairs and painting, residence, State School No. 2854. Particulars at Police Stations, Dandenong, Warragul; State School, Tynong. Preliminary deposit, £4. Final deposit, 2 per cent.

Woolamai.—Repairs, renovations, and painting, State School No. 3856. Particulars at Police Stations, Wonthaggi, Mornington; State School, Woolamai. Preliminary deposit, £5. Final deposit, 2 per cent.

Yering.—Repairs, painting, and new wash-house and store-room, school and residence, State School No. 1034. Particulars at Police Stations, Healesville, Lilydale; State School, Yering. Preliminary deposit, £4. Final deposit, 2 per cent.

10th September, 1946.

Ballarat.—Supply and installation of one mechanical exhaust system, School of Mines. Particulars at Inspector of Works Office, Ballarat. Preliminary deposit, £4. Final deposit, 2 per cent.

Ballarat.—New shelter pavilion, State School No. 695. Particulars at Inspector of Works Office, Ballarat; State School, Ballarat. Preliminary deposit, £5. Final deposit, 2 per cent.

Bannockburn.—Repairs, &c., and painting to teacher's residence, and repairs to school, State School No. 932. Particulars at Inspector of Works Office, Geelong; State School, Bannockburn. Preliminary deposit, £3.

Chesney Vale.—Repairs and painting, State School No. 4403. Particulars at Inspector of Works Office, Benalla, Wangaratta; Police Station, Euroa; State School, Chesney Vale. Preliminary deposit, £4.

Collingwood.—Electro-plating workshop, Technical School. Preliminary deposit, £100. Final deposit, 2 per cent.

Elmore.—New out-offices, septic tank, and sewerage installations, State School No. 1515. Particulars at Inspector of Works Office, Bendigo, Shepparton; Police Station, Echuca; State School, Elmore. Preliminary deposit, £15. Final deposit, 2 per cent.

Geelong.—Repairs and painting and new brick lavatory, Matthew Flinders Girls' School. Particulars at Inspector of Works Office, Geelong. Preliminary deposit, £10. Final deposit, 2 per cent.

Janefield.—New fly-wire screens and doors, staff quarters and wards, Mental Hospital. Preliminary deposit, £5. Final deposit, 2 per cent.

Lake Tyers.—Repairs to teacher's residence, Aboriginal Station. Particulars at Inspector of Works Office, Bairnsdale; Police Station, Orbst; State School, Lake Tyers. Preliminary deposit, £4. Final deposit, 2 per cent.

Malvern.—Repairs and painting, State School No. 2586. Preliminary deposit, £5.

Melbourne.—Re-modelling and additions, Child Hygiene Branch. Preliminary deposit, £25. Final deposit, 2 per cent.

Mildura.—Partitioning and lining of 53 hutment buildings, University. Particulars at Inspector of Works Office, Mildura. Preliminary deposit, £50. Final deposit, 2 per cent.

Mirboo North.—Painting and repairs, State School No. 2383. Particulars at Inspector of Works Office, Korumburra; Police Stations, Traralgon, Moe; State School, Mirboo North. Preliminary deposit, £10. Final deposit, 2 per cent.

Mont Park.—External renovations and painting, hospital block and isolation ward, Mental Hospital. Preliminary deposit, £15. Final deposit, 2 per cent.

Muckatah.—Re-modelling school building, State School No. 2496. Particulars at Inspector of Works Office, Shepparton; Police Stations, Cobram and Numurkah; State School, Muckatah. Preliminary deposit, £5. Final deposit, 2 per cent.

Murrayville.—Removal of school buildings, re-erection at Murrayville, and converting into residences, State School No. 3743. Particulars at Inspector of Works Office, Mildura, Maryborough; Police Stations, Murrayville, Ouyen. Preliminary deposit, £15. Final deposit, 2 per cent.

Nagambie.—New sleep-out and bathroom, repairs and renovations, school and residence, State School No. 1104. Particulars at Inspector of Works Office, Shepparton; Police Stations, Tatura, Murchison; State School, Nagambie. Preliminary deposit, £5. Final deposit, 2 per cent.

Outtrim.—Renovations, repairs, and painting, State School No. 3229. Particulars at Inspector of Works Office, Korumburra; Police Station, Wonthaggi; State School, Outtrim. Preliminary deposit, £5. Final deposit, 2 per cent.

Queenstown.—Repairs, painting, &c., and provision of new out-office at residence, State School No. 128. Particulars at Police Station, Hurstbridge; State School, Queenstown. Preliminary deposit, £5. Final deposit, 2 per cent.

Springfield.—New bathroom, repairs, and renovations, school and residence, State School No. 1007. Particulars at Police Stations, Kilmore, Kyneton, Woodend; State School, Springfield. Preliminary deposit, £5. Final deposit, 2 per cent.

Traralgon.—Erection of timber residence for Inspector of Works, Public Works Department. Particulars at Inspector of Works Office, Bairnsdale; Police Stations, Morwell, Traralgon. Preliminary deposit, £15. Final deposit, 2 per cent.

Woolsthorpe.—New partition, repairs, and renovations, State School No. 688. Particulars at Inspector of Works Offices, Warrnambool, Hamilton; Police Station, Port Fairy; State School, Woolsthorpe. Preliminary deposit, £4.

17th September, 1946.

Dookie.—Extensions and increased storage to fuel hot-water service, Agricultural College. Particulars at Inspector of Works Offices, Shepparton, Benalla, Wangaratta. Preliminary deposit, £5. Final deposit, 2 per cent.

Greenvale.—Supply, delivery, and installation of two (2) automatic-control electric bed lifts, Sanatorium. Preliminary deposit, £25. Final deposit, 2 per cent.

Lismore.—Supply and installation of electric hot-water service, Police Station. Particulars at Inspector of Works Offices, Ballarat, Geelong; Police Station, Lismore. Deposit, £2.

Pascoe Vale.—Supply and installation of an electric hot-water service, Police Station. Deposit, £2.

Piangil.—Supply and installation of a fuel hot-water service, Police Station. Particulars at Inspector of Works Offices, Bendigo, Swan Hill; Police Station, Kerang. Deposit, £2.

Swan Hill.—Supply and installation of a fuel hot-water service, Inspector of Works residence. Particulars at Inspector of Works Offices, Bendigo, Swan Hill; Police Station, Kerang. Deposit, £2.

Swan Hill.—Supply and installation of a fuel hot-water service, Police Station. Particulars at Inspector of Works Offices, Bendigo, Swan Hill; Police Station, Kerang. Deposit, £2.

Swinburne.—Supply and installation of one (1) 1-cwt. hand-operated lift at new chemistry school, Technical School. Preliminary deposit, £4. Final deposit, 2 per cent.

24th September, 1946.

Miner's Rest.—Additions, repairs, and painting, State School No. 1739. Particulars at Inspector of Works Office, Ballarat; State School, Miner's Rest. Preliminary deposit, £10. Final deposit, 2 per cent.

Tenders to be addressed to the Honorable the Commissioner of Public Works, and envelope containing tender marked "Tender for

P. J. KENNELLY,
Commissioner of Public Works.

Melbourne, 27th August, 1946.

TENDERS FOR THE SERVICE, 1946.

PROVISIONS—MEAT.

TENDERS will be received until Eleven o'clock a.m. on Friday, 13th September, 1946, from persons willing to furnish the under-mentioned supplies, in such quantities as may be ordered by the Victorian Government—delivery to be made at the under-mentioned places—during the three months commencing on 1st October, 1946.

The estimated quantities shown in the Schedules will be subject to variation in accordance with the requirements of any Regulations for the rationing of meat in force during the contract period.

The prices tendered must not include sales tax.

In all cases, the total cost of each item must be extended in the columns provided.

The places for which tenders will be received, the amount of the preliminary deposit, and the security required for the due fulfilment of each contract, are as follows:—

		Preliminary Deposit.	Security.
		£	£
Schedule No. 1. Melbourne District	Meat—Kew Mental Hospital	2	35
	" Pentridge Penal Establishment, Female Penitentiary, and Metropolitan Gaol, Coburg ...	2	35
	" Children's Welfare Depot, Royal Park, and Police Hospital	1	8
	" Receiving House and Mental Hospital, Royal Park. ...	1	10
Schedule No. 2. Mont Park, Bundoora, Jane-field, and Gresswell	Meat	3	50
Schedule No. 3. s.s. Rip and Dredges	Meat	1	5
Schedule No. 4. Teachers' College, Carlton, and Travancore, Flemington	Meat	1	8
Schedule No. 5. Ararat District	Meat	2	30

		Preliminary Deposit.	Security.
		£	£
Schedule No. 6. Ballarat District	Meat	2	35
Schedule No. 7. Beechworth District	Meat	2	30
Schedule No. 8. Castlemaine District	Meat	1	5
Schedule No. 9. School of Forestry, Creswick	Meat	1	3
Schedule No. 10. McLeod Settlement, French Island	Meat	1	5
Schedule No. 11. Heatherton Sanatorium, Cheltenham	Meat	1	5
Schedule No. 12. Sanatorium, Greenvale	Meat	1	7
Schedule No. 13. Coorimungle Prison Camp, Heytsbury Forest	Meat	1	4
Schedule No. 16. Sale Gaol	Meat	1	3
Schedule No. 17. Pleasant Creek Special School, Stawell	Meat	1	3
Schedule No. 18. Sunbury District	Meat	2	40

Printed forms of tender and the conditions of contract may, in all cases, be obtained from the Secretary to the Tender Board, Gisborne-street, Melbourne, by whom also any information or explanation will be afforded to persons tendering.

Tenders must be accompanied by the preliminary deposit, as shown above, preferably by non-negotiable cheque payable to the order of the Secretary to the Tender Board. The amount and designation of the preliminary deposit enclosed must be clearly stated in the tender. Savings Bank deposit books, fixed deposit receipts, Commonwealth Treasury bonds, or reference to securities on existing contracts will in no case be received or entertained as preliminary deposits. Preliminary deposits will be returned within 30 days to unsuccessful tenderers on their application.

Security will be required either in Commonwealth Treasury Bonds, or approved bank guarantee, fixed deposit receipt, Savings Bank deposit book, or non-negotiable cheque in favour of the Secretary to the Tender Board, as the tenderer may elect.

The security must be completed and the contract signed within five days of acceptance of the tender, failing which the service may be again advertised, or another tender accepted.

The lowest or any tender will not necessarily be accepted.

In the event of tenderers withdrawing or attempting to withdraw their tenders before notification of acceptance of same, or failing to take up their accepted tenders within the prescribed period after notification of acceptance, the preliminary deposit will be forfeited and, in addition, they may be disqualified from tendering or holding any future contracts for Government supplies for a period of twelve months, such disqualification to date from the notification of acceptance of tender. It is also stipulated that, if a tenderer be a member of a firm and such firm be interested in the contract, the tender shall be in the name of the firm and not in that of the individual and that, for a breach of this condition, the preliminary deposit will be forfeited and the tender declared informal.

Tenders, enclosed in a separate envelope, and having the words "Tender for at" (as the case may be) written thereon, must be deposited in the Tender-box at the Tender Board Offices, Gisborne-street, Melbourne, or, if sent by post, postage must be prepaid, and the tenders addressed to the Chairman of the Tender Board, Tender Board Offices, Gisborne-street, Melbourne, C.2, which office they must reach not later than by first post on the date of closing of tenders.

CONDITIONS OF CONTRACT.

The conditions of contract are those published in the Victoria Government Gazette, No. 83, dated 8th May, 1946, pages 1479 to 1481.

JOHN CAIN,
Treasurer.

The Treasury,
Melbourne, 26th August, 1946.

TENDERS FOR GRAZING.
(Section 121, Land Act 1928.)

FOR THE PERIOD 1ST OCTOBER, 1946, TO 30TH SEPTEMBER, 1947, RENEWABLE ANNUALLY FOR A FURTHER PERIOD WHERE STATED.

Tender Forms and all particulars can be obtained on application to the Lands Department, Melbourne, or any of the Lands Offices in the Country.

Tenders should be placed in the Lands Department Tender-box, State Treasury Buildings, Melbourne, C.2, at or before Noon on Tuesday, 24th September, 1946.

TENDERS are invited and must be lodged at the Lands Department, Melbourne, at or before Noon on Tuesday 24th September, 1946, for the right to depasture stock on the following unappropriated portions of lands subject to the Regulations approved by the Governor in Council and also the subjoined conditions.

CONDITIONS.

1. The period of occupation will be from 1st October, 1946, to 30th September, 1947, renewable annually for a further period where stated.

2. The rent for one year—for which the licence will be issued, and the licence-fee of 7s. 6d.—must accompany the tender; otherwise the offer of the next highest tenderer who complies with this condition may be accepted.

3. The licensee shall pay shire rates and all other charges for the period of occupation.

4. Separate tenders must be lodged for each block.

5. Tenders to be addressed to the Secretary for Lands (Tender-box), Melbourne, and endorsed Tender for Grazing.

6. The highest or any tender not necessarily accepted.

7. Tenderers must give their full name, occupation, and ordinary postal address.

8. Where permission to fence has been granted, the outgoing tenant has the option to remove any existing fencing owned by him within one month, or he may arrange with the incoming tenant to pay for it in accordance with the provisions of section 124, Land Act 1928.

This does not apply to cases where the land was the subject of an expired Grazing Area Lease. In all such cases, the ingoing tenant will be held responsible for the care and maintenance of any improvements.

L. W. GALVIN,
Commissioner of Crown Lands and Survey.

Department of Lands and Survey,
Melbourne, 23rd August, 1946.

	Area Acres.
Lot 5 (B1232) — Being allotment 58, section A (Water Supply Reserve), and part of Tyrrel Creek Reserve, Parish of Bunguluke, County of Kara Kara, situated west of allotments 59 and 60, section A. Period of occupation, one year from 1st October, 1946.—(St. Arnaud 0511/121.)	78
Lot 6 (B1233) — Being the Tyrrel Creek Reserve, situated west of allotments 61, 81, 82, and 84, section A. Parish of Bunguluke, County of Kara Kara. Period of occupation, one year from 1st October, 1946.—(St. Arnaud 0511/121.)	92
Lot 7 (B1234) — Allotment 161B, Parish of Nullan, a Water Reserve, formerly held by W. M. Petering. Any improvements to be maintained and protected. Fencing allowed at licensee's own risk. Period of occupation, one year from 1st October, 1946, renewable annually for four years from 1st October, 1947.—(Warracknabcal 771/121.)	32
Lot 8 (B1235) — Allotments 34, 35, 36, 41, 42, and 48, Parish of Meereek, formerly licensed to T. Makin. Period of occupation, one year from 1st October, 1946.—(Hamilton 01913/121.)	3,618
Lot 9 (B1236) — Withdrawn.	
Lot 10 (B1237) — Being the Crown lands, in the Town of Lyons, lying north of allotment 4, section 8, and allotment 4, section 7, and the Heywood-Dartmoor road. Period of occupation, one year from 1st October, 1946, renewable annually for four years from 1st October, 1947.—(Hamilton 0472/121.)	110
Lot 11 (B1238) — Being the Coorong Swamp Reserve, Parish of Rupanyup, formerly held by R. A. Bell. Any improvements to be maintained and protected. Period of occupation, one year from 1st October, 1946, renewable annually for four years from 1st October, 1947.—(Horsham 048/121.)	131
Lot 12 (B1239) — Allotment 153A, reserved for water supply purposes, the part of the former Public Purposes Reserve adjoining allotments 152, 153, 154A, 154C, 154D, and 154J, and the part of the same former reserve adjoining allotments 133, 135, 154F, 154G, and 158, Parish of Rupanyup. Period of occupation, one year from 1st October, 1946, renewable annually for four years from 1st October, 1947.—(Horsham 0386/121.)	170
Lot 13 (B1240) — Allotments 106, 108, 109, and 110, Parish of Gymbowen, County of Lowan, formerly held by C. W. S. McDonald. Existing improvements to be maintained. Period of occupation, one year from 1st October, 1946, renewable annually for four years from 1st October, 1947.—(Horsham 0956/121.)	2,146
Lot 14 (B1241) — Allotments 116, 116A, and 117, Parish of Toolondo, County of Lowan, formerly held by A. Hobbs. Any improvements to be maintained and protected. Period of occupation, one year from 1st October, 1946, renewable annually for four years from 1st October, 1947.—(Horsham 040/121.)	991
Lot 15 (B1242) — Allotments 36, 37, 38, 39, 40, 41, and 42, section 18, Parish of Darlingford, County of Wonnangatta, formerly licensed to A. S. Sawers. Period of occupation, one year from 1st October, 1946, renewable annually for four years from 1st October, 1947.—(Alexandra 41/121.)	4,680
Lot 16 (B1243) — Allotments 34, 35, and 36A, Parish of Thornton, County of Anglesey, formerly licensed to V. Newman. Period of occupation, one year from 1st October, 1946, renewable annually for four years from 1st October, 1947.—(Alexandra 0375/121.)	1,857
Lot 17 (B1244) — Allotments 7 and 8, Parish of Banyarbite, County of Anglesey, formerly licensed to V. R. Newman. Period of occupation, one year from 1st October, 1946, renewable annually for four years from 1st October, 1947.—(Alexandra 14/121.)	1,681
Lot 1 (B1228) — Parish of Warrandyte, County of Evelyn, being the Watering and Camping Reserve, and the Public Recreation Reserve (allotments 4D, 4E, and 4F) known as the Jumping Creek Reserve. Formerly held by S. Mullens. Period of occupation, one year from 1st October, 1946. Existing improvements are to be maintained and protected.—(Melbourne 01254/121.)	122
Lot 2 (B1229) — Parish of Queenstown, County of Evelyn, being allotment 19A, section A, and the Crown land between that allotment and allotment 36B. Formerly held by J. P. Kays. Period of occupation, twelve months from 1st October, 1946.—(Melbourne 01348/121.)	120
Lot 3 (B1230) — Parish of Gannawarra, being the southern portion of the Water Supply Reserve known as "McDonald's Swamp," bounded by allotments 10A, 10B, 11A, 63, 64, part 6A, and 65, northern boundary being the short fence between allotments 6A and 65. The State Rivers and Water Supply Commission is indemnified against any loss or damage which may occur by flooding from the said Commission's channels. Period of occupation, one year from 1st October, 1946, renewable annually for two years from 1st October, 1947.—(Kerang 0542/121.)	550
Lot 4 (B1231) — Area lying on both sides of Timor Creek at Adelaide Lead, Parishes of Wareek and Maryborough, and extending southward from the Avoca-Maryborough road to the vicinity of allotment 5B, section F1, Parish of Maryborough. Period of occupation, one year from 1st October, 1946, renewable annually for two years from 1st October, 1947.—(St. Arnaud 0648/121.)	46

	Area, Acres.		Area Acres
Lot 18 (B1245)— Allotment 6A, Parish of Banyarmbite, County of Anglesey, formerly licensed to E. Savers, Period of occupation, one year from 1st October, 1946, renewable annually for four years from 1st October, 1947.—(<i>Alexandra</i> 0245/121.)	320	Lot 28 (B1255)— Grazing block 74, Parishes of Mallacoota and Betka, County of Croajingolong, formerly licensed to J. A. Stevens. Period of occupation, one year from 1st October, 1946, renewable annually for four years from 1st October, 1947.—(<i>Bairnsdale</i> 0619/121.)	14,000
Lot 19 (B1246)— Allotment 5, Parish of Banyarmbite, County of Anglesey, formerly licensed to R. O. Savers. Period of occupation, one year from 1st October, 1946, renewable annually for four years from 1st October, 1947.—(<i>Alexandra</i> 1326/187.)	355	Lot 29 (B1256)— Being the Public Purposes Reserve known as Pound Swamp, Township and Parish of Bairnsdale, County of Tanjil. Existing fencing to be maintained in good order and condition. Period of occupation, one year from 1st October, 1946.—(<i>Bairnsdale</i> H.018105.)	18
Lot 20 (B1247)— Grazing block 32, Parish of Narbourac, County of Wonnangatta, formerly licensed to G. Hoskin, J. McCormick, and J. Seymour. Period of occupation, one year from 1st October, 1946, renewable annually for four years from 1st October, 1947.—(<i>Alexandra</i> 24/121.)	19,200	Lot 30 (B1257)— Grazing block 14, Parish of Deddick, County of Croajingolong, formerly licensed to C. E. O'Hare. Period of occupation, one year from 1st October, 1946, renewable annually for four years from 1st October, 1947.—(<i>Bairnsdale</i> 140/121.)	23,500
Lot 21 (B1248)— Grazing block 9, Parish of Lodge Park, County of Wonnangatta, formerly licensed to E. G. Stoney. Period of occupation, one year from 1st October, 1946, renewable annually for four years from 1st October, 1947.—(<i>Alexandra</i> 23/121.)	12,000	Lot 31 (B1258)— Parishes of Cabanandra and Bonang, County of Croajingolong, being that portion of grazing block 5A, south of the Bonang River, and allotments 37 and 37c, Parish of Bonang, formerly licensed to N. A. McDonald. Period of occupation, one year from 1st October, 1946, renewable annually for four years from 1st October, 1947.—(<i>Bairnsdale</i> 123/121.)	3,589
Lot 22 (B1249)— Parish of Coolungoolun, County of Buln Buln, being allotments 2A, 2B, 11A, 11B, 12A, 12B, 12C, 12D, 18A, and 18B, section C, and the Water Reserve north-west of allotment 19A, section C, less portions of allotments 2A, 2B, and 18B, section C, within the area occupied by the Commonwealth of Australia as a moving target area. Formerly licensed to S. Woods. Period of occupation, one year from 1st October, 1946, renewable annually for four years from 1st October, 1947.—(<i>Sale</i> 106/121.)	2,450	Lot 32 (B1259)— Allotment 38A, Parish of Bingo Munjie North, County of Bogong, formerly licensed to J. O. Holston. Existing improvements to be maintained in good order and condition. Period of occupation, one year from 1st October, 1946, renewable annually for four years from 1st October, 1947.—(<i>Omco</i> 163/121.)	639
Lot 23 (B1250)— Allotments 24 and 30, section C, Parish of Coolungoolun, County of Buln Buln, formerly licensed to S. Woods. Period of occupation, one year from 1st October, 1946.—(<i>Sale</i> 93/121.)	1,150	Lot 33 (B1260)— Allotment 20c, Parish of Bingo Munjie North, County of Bogong, formerly licensed to M. A. Bourke. Period of occupation, one year from 1st October, 1946, renewable annually for four years from 1st October, 1947.—(<i>Omco</i> 75/121.)	570
Lot 24 (B1251)— Being grazing block 25, Parishes of Nap Nap Marra, Wrixon, Wrathung, and Koorool, County of Tanjil, formerly licensed to J. A. Diver. Period of occupation, one year from 1st October, 1946, renewable annually for four years from 1st October, 1947.—(<i>Sale</i> 66/121.)	28,000	Lot 34 (B1261)— Being the Reserve south of allotments 46 and 47B, Parish of Moorngag, County of Delatite, formerly licensed to L. A. Brumby and B. H. Cookes. Period of occupation, one year from 1st October, 1946, renewable annually for four years from 1st October, 1947.—(<i>Benalla</i> 1967/121.)	14
Lot 24A (B1251A)— Allotments 26 and 27, Parish of Licola, County of Wonnangatta. Formerly licensed to N. Reeves. Period of occupation, one year from the 1st October, 1946, renewable annually for three years from 1st October, 1947.—(<i>Sale</i> 0426/121.)	1,226	Lot 35 (B1262)— Allotments 21 and 21D, Parish of Myrree, County of Delatite, formerly licensed to K. Beattie. Period of occupation, one year from 1st October, 1946.—(<i>Benalla</i> 90/121.)	142
Lot 25 (B1252)— Allotment 35, section A, Parish of Jumbuk, County of Buln Buln, formerly licensed to C. E. Donlon. Existing improvements to be maintained in good order and condition. Period of occupation, one year from 1st October, 1946, renewable annually for two years from 1st October, 1947.—(<i>Sale</i> 132/121.)	185	Lot 36 (B1263)— Grazing block 20, Parish of Bogong North, County of Bogong, formerly licensed to C. Hodgkin. Period of occupation, one year from 1st October, 1946, renewable annually for four years from 1st October, 1947.—(<i>Beechworth</i> 91/121.)	18,000
Lot 26 (B1253)— Grazing block 3A, Parishes of Moolpah, Bullung, and Baw Baw, County of Tanjil, formerly licensed to F. Jans. Period of occupation, one year from 1st October, 1946, renewable annually for four years from 1st October, 1947.—(<i>Sale</i> 0559/121.)	32,500	Lot 37 (B1264)— Allotments 28, 31, 32, 33, 34A, 35, 36, 41, 42, 42A, Parish of Tallandoon, County of Bogong, formerly licensed to M. Darcy. Period of occupation, one year from 1st October, 1946, renewable annually for four years from 1st October, 1947.—(<i>Beechworth</i> 223/121.)	5,340
Lot 27 (B1254)— Grazing block 3B, Parishes of Baw Baw and Toombon, County of Tanjil, formerly licensed to F. Jans. Successful tenderer will be required to pay the amount of the Departmental valuation of the improvements (hut and fencing), or alternatively to produce an acquittance from the outgoing licensee. Period of occupation, one year from 1st October, 1946, renewable annually for four years from 1st October, 1947.—(<i>Sale</i> 0502/121.)	20,000	Lot 38 (B1265)— Grazing block 7, Parishes of Matong North and Towamba, County of Delatite, formerly licensed to J. Nella (deceased). Period of occupation, one year from 1st October, 1946, renewable annually for four years from 1st October, 1947.—(<i>Beechworth</i> 256/121.)	11,000
		Lot 39 (B1266)— Grazing block 7 and 8, Parishes of Burrungabugge and Nariel, County of Benambra, formerly licensed to R. J. Cardwell. Period of occupation, one year from 1st October, 1946, renewable annually for four years from 1st October, 1947.—(<i>Beechworth</i> 63/121.)	14,000

	Area, Acres.		Area Acres.
Lot 40 (B1267) — Allotments 22, 22A, and 22B, and the Crown land between allotment 22A and the Rose River, Parish of Wabonga South, County of Delatite. Period of occupation, one year from 1st October, 1946, renewable annually for four years from 1st October, 1947.—(<i>Beechworth</i> 77/121.)	1,152	Lot 53 (B1280) — Being grazing block 8, Parishes of Matong and Matong North, County of Delatite, formerly licensed to J. Nella (deceased). Period of occupation, one year from 1st October, 1946, renewable annually for four years from 1st October, 1947.—(<i>Beechworth</i> 01162/121.)	9,000
Lot 41 (B1268) — Allotments 16 and 18, Parish of Wabonga South, County of Delatite. Period of occupation, one year from 1st October, 1946, renewable annually for four years from 1st October, 1947.—(<i>Beechworth</i> 272/121.)	2,012	Lot 54 (B1281) — Grazing block 17, Parish of Gibbo, County of Benambra, formerly licensed to J. Enever. Period of occupation, one year from 1st October, 1946, renewable annually for four years from 1st October, 1947.—(<i>Beechworth</i> 01156/121.)	5,000
Lot 42 (B1269) — Allotment 6B, section 1A, Parish of Granya, County of Benambra, formerly licensed to A. Campbell. Period of occupation, one year from 1st October, 1946.—(<i>Beechworth</i> 309/121.)	393	Lot 55 (B1282) — Allotments 8, 9, 10, 12, 12A, 12B, and 19, section 9, Parish of Wabonga, County of Delatite, formerly licensed to J. I. Gorman and F. E. Peipers. Period of occupation, one year from 1st October, 1946, renewable annually for four years from 1st October, 1947.—(<i>Beechworth</i> 01164/121.)	3,424
Lot 43 (B1270) — Grazing block 39, Parishes of Dartella and Malkara, County of Benambra, formerly licensed to M. J. Lennane. Period of occupation, one year from 1st October, 1946, renewable annually for four years from 1st October, 1947.—(<i>Beechworth</i> 0516/121.)	34,300	Lot 56 (B1283) — Allotments 25, 25A, section 1, Parish of Jinjellie, County of Benambra, formerly licensed to W. C. Gadd. Period of occupation, one year from 1st October, 1946, renewable annually for four years from 1st October, 1947.—(<i>Beechworth</i> 01224/121.)	638
Lot 44 (B1271) — Allotments 14 and 14B, Parish of Canabore, County of Benambra, formerly licensed to R. J. Coulston. Period of occupation, one year from 1st October, 1946, renewable annually for four years from 1st October, 1947.—(<i>Beechworth</i> 181/121.)	320	Lot 57 (B1284) — Allotments 20, 20A, and 21, section 2, Parish of Thologolong, County of Benambra, formerly licensed to D. and W. Brown. Period of occupation, one year from 1st October, 1946, renewable annually for four years from 1st October, 1947.—(<i>Beechworth</i> 0859/121.)	1,480
Lot 45 (B1272) — Allotment 25B, section 1, allotments 19A, 20, 21, and 21A, section 2, and allotments 38A, 38B, Parish of Jinjellie, County of Benambra, formerly licensed to W. C. Gadd. Period of occupation, one year from 1st October, 1946, renewable annually for four years from 1st October, 1947.—(<i>Beechworth</i> 313/121.)	1,275	Lot 58 (B1285) — Grazing block 11, Parish of Wallagoot, County of Delatite, formerly licensed to T. J. Christie. Period of occupation, one year from 1st October, 1946, renewable annually for four years from 1st October, 1947.—(<i>Beechworth</i> 0908/121.)	11,800
Lot 46 (B1273) — Allotments 14A, 15, and 15A, Parish of Canabore, County of Benambra, formerly licensed to T. B. Laverty. Period of occupation, one year from 1st October, 1946, renewable annually for four years from 1st October, 1947.—(<i>Beechworth</i> 0765/121.)	1,536	Lot 59 (B1286) — Allotments 13, 13A, Parish of Canabore, County of Benambra, formerly licensed to R. J. Coulston. Period of occupation, one year from 1st October, 1946, renewable annually for four years from 1st October, 1947.—(<i>Beechworth</i> 0944/121.)	981
Lot 47 (B1274) — Grazing block 9, Parishes of Matong, Coolumbooka, and Towamba, County of Delatite, formerly licensed to J. Nella (deceased). Period of occupation, one year from 1st October, 1946, renewable annually for four years from 1st October, 1947.—(<i>Beechworth</i> 45/121.)	21,000	Lot 60 (B1287) — Allotment 40, Parish of Granya, County of Benambra, formerly licensed to M. Keady. Period of occupation, one year from 1st October, 1946, renewable annually for four years from 1st October, 1947.—(<i>Beechworth</i> 0793/121.)	832
Lot 48 (B1275) — Grazing block 5, Parishes of Dondangadale and Winteriga, County of Delatite, formerly licensed to I. A. Mackay. Period of occupation, one year from 1st October, 1946, renewable annually for four years from 1st October, 1947.—(<i>Beechworth</i> 46/121.)	4,000	Lot 61 (B1288) — Being that portion of the rifle range lying south-west of allotment 18, section 1, and allotment 6, section 2, and between allotments 7 and 18A, section 2, Parish of Concongella South, County of Borung. Formerly licensed to B. Seppelt and Sons Limited. Permission to fence will be given. Successful tenderer must make his own arrangements <i>re</i> taking over existing fencing. Special condition:—There must be no obstruction to the rifle practice on the range proper, and the right of the Defence Authorities to use the land for rifle range purposes must not be affected. Period of occupation, one year from 1st October, 1946.—(<i>Ararat</i> 9/121.)	95
Lot 49 (B1276) — Allotments 13, 13A, 13B, 23, and 42, Parish of Nariel, and allotment 98, Parish of Wabba, County of Benambra, formerly licensed to J. and J. Simpson. Period of occupation, one year from 1st October, 1946, renewable annually for four years from 1st October, 1947.—(<i>Beechworth</i> 51/121.)	3,250	Lot 62 (B1289) — Parts of allotments 15 and 15A, Parish of Wongarra, formerly held by A. H. Coutts. Period of occupation, one year from the 1st October, 1946, renewable for a further year from 1st October, 1947.—(<i>Geelong</i> 171/121.)	145
Lot 50 (B1277) — Allotment 56A, Parish of Berringama, County of Benambra, formerly licensed to H. Kendall. Period of occupation, one year from 1st October, 1946.—(<i>Beechworth</i> 58/121.)	80	Lot 63 (B1290) — Parish of Alexandra, County of Anglesey, being the Crown land known as the "Mining Reserve," north of the Sanitary Depot, and east of the Recreation Reserve, formerly licensed to J. J. Hoban. The licensee will be given permission to fence at his own risk. Period of occupation, one year from the 1st October, 1946, renewable annually for three years from 1st October, 1947.—(<i>Alexandra</i> 64/121.)	75
Lot 51 (B1278) — Allotments 80B, 88, 88A, 88B, 97, and 100A, Parish of Wabba, County of Benambra, formerly licensed to J. and J. Simpson. Period of occupation, one year from 1st October, 1946, renewable annually for four years from 1st October, 1947.—(<i>Beechworth</i> 0959/121.)	2,560		
Lot 52 (B1279) — Allotment 63, Parish of Wyecboon, County of Benambra, formerly licensed to J. Campbell. Period of occupation, one year from 1st October, 1946, renewable annually for four years from 1st October, 1947.—(<i>Beechworth</i> 0949/121.)	490		

PRIVATE ADVERTISEMENTS.**CITY OF BOX HILL.**

RATING POLL, 22ND AUGUST, 1946.

I HEREBY declare that the result of the poll taken on the 22nd day of August in and for the City of Box Hill to decide whether Part XI. (rating on unimproved values) of the *Local Government Act 1928* shall be adopted in the municipality is as follows:—

Number of votes recorded in favour of the proposal to adopt that Part	3,302
Postal votes recorded in favour of the proposal to adopt that Part	76
	<hr/>
	3,378
Number of votes recorded against the proposal to adopt that Part	2,430
Postal votes recorded against the proposal to adopt that Part	278
	<hr/>
	2,708
Number of informal votes recorded	66
Number of informal postal votes recorded	9
	<hr/>
	75

The number of votes for which voters are inscribed on the municipal roll is 8,915.

I therefore declare that the proposal was carried.

ERNEST J. ELLINGWORTH, Returning Officer.
23rd August, 1946. 7503

CITY OF MOORABBIN.

RATING ON UNIMPROVED VALUES.

Proposal to Adopt Part XI. of the Local Government Act 1928.

Declaration of Result of Poll.

I HEREBY give notice that at a poll held before me this 24th day of August, 1946, on the proposal to adopt Part XI. of the *Local Government Act 1928*, and thereby subject to the provisions of the said Act to make and levy rates in respect of rateable property within the City of Moorabbin on the unimproved capital value thereof, the following valid votes were recorded:—

For the proposal	3,383
Against the proposal	2,159

The number of votes for which voters are inscribed on the municipal roll is 11,181.

I therefore declare the said proposal to be carried.

Dated this 24th day of August, 1946.

DUNCAN E. BLACKSHAW (Mayor).
7511 Returning Officer.

CITY OF NORTHCOTE.

RATING ON UNIMPROVED VALUES.

Proposal to Adopt Part XI. of the Local Government Act 1928.

I HEREBY give notice that at a poll held before me on the 24th day of August, 1946, on the above proposal, the following valid votes were recorded:—

For the proposal	7,408
Against the proposal	5,626

I certify that the number of votes for which voters are inscribed on the municipal roll is 15,085. I therefore declare the said proposal to be carried.

Dated this 24th day of August, 1946.

J. A. THOMSON, Returning Officer.
Town Hall, Northcote, N.16. 7512

CITY OF PRESTON.

RATING OF UNIMPROVED VALUES.

Proposal to Adopt Part XI. of the Local Government Act 1928.

I HEREBY give notice that at a poll held before me on the 24th day of August, 1946, on the above proposal, the following valid votes were recorded:—

For the proposal	7,262
Against the proposal	3,527

I certify that the number of votes for which voters are inscribed on the municipal roll is 13,629.

I therefore declare the said proposal to be carried.

J. C. DONATH (Town Clerk),
Returning Officer.
Town Hall, Preston, N.18. 7513

SHIRE OF DIMBOOLA.

NOTICE is hereby given that First Constable R. Knight, of Jeparit, has been appointed Inspector of Nuisances and Prosecuting Officer for the Shire of Dimboola, as from 13th August, 1946.
7502

E. LOCK, Shire Secretary.

SHIRE OF MINHAMITE.

APPOINTMENT OF PROSECUTING OFFICER.

NOTICE is hereby given that at a meeting of the Council, held on the 8th July, 1946, First Constable John Rose, No. 8748, was appointed Prosecuting Officer to the Shire of Minhamite.
7487

RITA M. WILEY, Shire Secretary.

Water Acts.

SHIRE OF WALPEUP.

PROPOSED LOCAL GOVERNING BODY.

NOTICE is hereby given that the Council of the Shire of Walpeup has made application to the Honorable the Minister of Water Supply for the constitution of a Local Governing Body and for the proclamation of a Waterworks District at Cowangie, and for the construction, maintenance, and continuance of town water supply works within that district under the provisions of the Water Acts.

A general plan and description of the proposed works have been submitted with the application, and copies of same may be seen at Tavener's Store, Cowangie, and at the Shire Office, Ouyen.

By order of the Council,

K. H. LOVETT,
Shire Secretary. 7431

14th August, 1946.

COLAC WATERWORKS TRUST.

EXTENSION OF WATERWORKS DISTRICT.

NOTICE is hereby given that Colac Waterworks Trust proposes to increase the extent of its waterworks district so as to supply the Townships of Cororooke, Coragulac, Alvie, Warrion, Beacac, and Cressy, all in the Shire of Colac.

An application for submission to the Governor in Council for his sanction to such increase (together with a general plan and description of the proposed extension) has been forwarded to the Minister of Water Supply.

Copies of such general plan and description have been deposited for inspection, and may be inspected at the offices of the State Rivers and Water Supply Commission, 100-110 Exhibition-street, Melbourne, the office of the Shire of Colac, at the Shire Hall, Murray-street, Colac, the offices of the Trust's engineers, Messrs. Garlick and Stewart, at 34 Queen-street, Melbourne, and at the offices of Colac Waterworks Trust, Rae-street, Colac.

By order,

ALLAN McKENZIE,
Secretary.

Trust Office, 2 Rae-street, Colac,
16th August, 1946.

7436

NOTICE OF CHANGE OF SURNAME.

I, MICHEL EMILE CESAR JAQUINOT, of 24 Sargood-street, Toorak, in the State of Victoria, heretofore called and known by the name of Michel Emile Cesar Giachino, hereby give notice that on the 7th day of August, 1946, I renounced and abandoned the use of my said surname of Giachino, and assumed in lieu thereof the surname of Jaquinot, and further that such change of name is evidenced by the deed, dated the 3rd day of August, 1946, duly executed by me and attested.

Dated this 20th day of August, 1946.

MICHEL EMILE CESAR JAQUINOT
(late Michel Emile Cesar Giachino).

O'Donohue and Green, solicitors, of 109 Swanston-street, Melbourne. 7560

NOTICE is hereby given that the partnership heretofore subsisting between Thomas Angus Robertson Clarke, Audrey Clarke, Jack Hunter Fletcher, and Joyce Marjorie Fletcher, carrying on business as farmers and storekeepers at Wye River, under the name of Clarke and Fletcher, has been dissolved by mutual consent as from the 1st day of June, 1946.
NORVAL H. DOOLEY & BREEN, solicitors, 31 Queen-street, Melbourne. 7519

NOTICE is hereby given that the partnership heretofore subsisting between the undersigned, Jack Gwynne Clay, Betty Eva Bruce, Grace Clay, and Lindsay Frederick Bruce, carrying on business as guest-house proprietors, at Beach House, Main-road, Point Lonsdale, under the name of Clay and Bruce, has been dissolved by mutual consent as from the 1st day of July, 1946. All debts due to and owing by the said late firm will be received and paid by the said Jack Gwynne Clay and Grace Clay, who will continue to carry on the business at the same place and under the name of G. and J. G. Clay.

Dated at Point Lonsdale, the 8th day of August, 1946.

JACK GWYNNE CLAY.
G. CLAY.
BETTY E. BRUCE.
L. F. BRUCE.

Witness—L. J. GOODALL, Hesse-street, Queenscliff, home duties.

Vautin H. Andrews, solicitor, 51 Gheringhap-street, Geelong.
7488

NOTICE is hereby given that the partnership hitherto subsisting between Stanley Kitchener Farrell, Vincent William Robertson Cullen, and Arthur Christopher Morris, under the style or firm of Premier Reproduction, at 145 Miller-street, Thornbury, has been dissolved as from 29th May, 1946. All debts owing by and all moneys payable to the said late firm will be paid and received by the said V. W. R. Cullen and A. C. Morris, at 44 William-street, Preston.

Dated the 22nd day of August, 1946.

NORRIS & NORRIS, of 422 Collins-street, Melbourne, solicitors. 7545

NOTICE is hereby given that the partnership heretofore subsisting between the undersigned Arthur Sladen Hall, Robert Ingram Clement Hall, and Telford Hamart Hall, carrying on business as textile machine manufacturers under the style or firm of Hall Bros. and Co., at Alexandra-parade, Clifton Hill, has been dissolved by mutual consent as from the 30th day of June, 1946. The said business will be continued by the said Arthur Sladen Hall and Robert Ingram Clement Hall, in co-partnership with Norman Keighley Hall and Arthur Warwick Hall, in the same firm name, at the same place of business. All debts due to and owing by the said late firm will be received and paid by the continuing partners.

Dated the 9th day of August, 1946.

ARTHUR S. HALL.
ROBERT I. C. HALL.
TELFORD H. HALL.

A. G. Hall and Wilcox, solicitors, 20 Queen-street, Melbourne. 7537

NOTICE is hereby given that the partnership heretofore subsisting between Francis Charles Leighton and Percy Reynolds Parker, carrying on business as show stand manufacturers and electroplaters, under the style or firm of The Parker Stores, at 274 Post Office-place, Melbourne, and 663 Lygon-street, North Carlton, has been dissolved as from the 1st day of July, 1946. All debts due to and owing by the said late firm will be received and paid respectively by Francis Charles Leighton, who will continue to carry on the said business under the style or firm name of The Parker Stores.

F. C. LEIGHTON.
P. PARKER.

Dated this 26th day of August, 1946.

A. C. Secomb and Tibb, 128 William-street, Melbourne, solicitors for the parties. 7524

NOTICE OF DISSOLUTION OF PARTNERSHIP.

NOTICE is hereby given that the partnership heretofore subsisting between Percy Haywood Conroy and Hilda Dagmar Erickson, formerly carrying on the business of display advertising, sign writing, and interior shop fittings, at 254 Little Lonsdale-street, Melbourne, in the State of Victoria, under the style or firm name of Conroy Displays, has been dissolved by mutual consent as from the 30th day of June, 1946. The business will be carried on at the same address by the said Percy Haywood Conroy, who will pay all debts of the partnership, and to whom all debts due to the partnership must be paid.

Dated the 16th day of July, 1946.

HILDA ERICKSON.
PERCY H. CONROY.

Witness—E. ERICKSON.

Davis, Cooke, and Cussen, 422 Collins-street, Melbourne, solicitors. 7521

NOTICE is hereby given that the partnership heretofore subsisting between the undersigned Leo Eigen and Lejzor Lejb Blusztejn, carrying on business as manufacturers of ladies' outer wear, at 267A Lonsdale-street, Melbourne, under the name of Elgin Suit and Coat Manufacturers, has been dissolved by mutual consent as from the 1st day of July, 1946. All debts due to and owing by the said late firm will be received and paid by Leo Eigen, who will continue to carry on the business at the same place.

Dated at Melbourne, the 22nd day of August, 1946.

L. EIGEN.
L. L. BLUSZTEJN.

Witness—J. OKNO, solicitor, 100 Queen-street, Melbourne. 7518

I, THE undersigned, Dudley Leslie Scoullar, of 413 High-street, Northcote, in the State of Victoria, manufacturer, hereby give notice that the partnership heretofore subsisting between me and Gilbert Joseph Hill, and carried on under the name of Chrome and Glass Products, at the above address, has been dissolved as from the 19th day of August, 1946.

Dated the 22nd day of August, 1946.

D. L. SCOLLAR.

NOTICE is hereby given that the partnership heretofore subsisting between Linda Ettie Matchett and Sylvia Florence Everitt, carrying on business as leather goods manufacturers under the style or firm of Lynette, has been dissolved as from the 20th day of August, 1946, the said Sylvia Florence Everitt having retired from the said business. The said Linda Ettie Matchett will, as from the said date, continue to carry on another business to be later determined.

LINDA E. MATCHETT.
SYLVIA F. EVERITT.

7506

No. 5709 of 1945.

In the Supreme Court.—In the matter of Part 1 of the *Companies Act 1938* and in the matter of GALVANIZED PRODUCTS PTY. LTD. (in Compulsory Liquidation).

TAKE notice that upon an application by the liquidator to the Court, pursuant to section 197 of the *Companies Act 1938*, on the 23rd day of August, 1946, it was ordered that the release applied for by William Brace Bennett, as such liquidator, be and the same is hereby granted.

Dated this 27th day of August, 1946.

W. B. BENNETT, Liquidator.

W. B. Bennett and Co., chartered accountants (Aust.), 528 Collins-street, Melbourne. 7567

No. 5739.

In the Supreme Court.—In the matter of the *Companies Act 1938* and in the matter of GRASSLEA PROPRIETARY LIMITED.

NOTICE is hereby given that a petition for the winding up of the above-named company by the Supreme Court was, on the 13th day of August, 1946, presented to the said Court by Archibald Mathieson, of 14 Guthridge-parade, Sale, and that the said petition is directed to be heard before the Court, sitting in the Practice Court, William-street, Melbourne, on the 27th day of September, 1946, at half-past Ten o'clock a.m., and any creditor or contributory of the company desirous to support or oppose the making of an order on the said petition may appear at the time of hearing, in person or by his solicitor or counsel for that purpose, and a copy of the petition will be furnished to any creditor or contributory of the said company requiring the same by the undersigned on payment of the regulated charge for the same.

NOTE.—Any person who intends to appear on the hearing of the said petition must serve on or send by post to the above-named notice, in writing, of his intention so to do. The notice must state the name and address of the person or, if a firm, the name and address of the firm, and must be signed by the person or firm, or his or their solicitor (if any), and must be served or, if posted, must be sent by post in sufficient time to reach the above-named not later than Four o'clock in the afternoon of the 25th day of September, 1946.

MACPHERSON, SMITH, & DOBSON, solicitors, 422 Collins-street, Melbourne. 7548

GIBSON'S BUS SERVICES PTY. LTD. (IN LIQUIDATION).

NOTICE CONVENING FINAL MEETING, PURSUANT TO SECTION 236.

NOTICE is hereby given, in pursuance of section 236 of the *Companies Act 1938*, that a General Meeting of the members of the above-named company will be held at 119 Kepler-street, Warrnambool, on Monday, the 30th day of September, 1946, at Four o'clock in the afternoon, for the purpose of having an account laid before them showing the manner in which the winding up has been conducted and the property of the company disposed of, and of hearing any explanation that may be given by the liquidator.

7566

J. V. COFFEY, Liquidator.

REGISTER of Unclaimed Moneys, held by the Commonwealth Life Amalgamated Assurances Ltd., January, 1946.

Policy Number.	Name of Owner in Books.	Claim.	Amount.	Due for Payment.
MI06752 (P.U.P.)	Kenny, 9 Testar-grove, Caulfield	Maturity	£ s. d. 1 18 0	31.3.39
MI05185 (P.U.P.)	Moore, A. E., 50 Tennyson-street, Malvern ..	Maturity	3 3 0	29.10.39
MI06017 (P.U.P.)	Cross, T., 306 Mont Albert-road, Surrey Hills ..	Maturity	3 11 0	7.1.40
M3565/V	Rowan, W. A., Station-street, Morwell ..	Net Guarantee Cash Bonus	8 5 11	1.10.38

7489

The *Companies Act 1938*.—In the matter of DOYLE & MCCARTHY PTY. LTD. (in Liquidation).

NOTICE is hereby given that a distribution of surplus funds is about to be made to shareholders of the above-named company. With the exception of income tax, the liquidator is unaware of any unsatisfied claims against this company. Creditors having claims and who do not lodge their proofs of debt with the liquidator by 20th September, 1946, will be excluded.

Dated at Melbourne this 21st day of August, 1946.

THOMAS F. BOURKE, Liquidator.

Thomas F. Bourke, chartered accountant (Aust.), first floor, 317 Collins-street, Melbourne, C.I. 7544

Companies Act 1938.

NOTICE OF INTENTION TO APPLY TO ATTORNEY-GENERAL FOR LICENCE, PURSUANT TO SECTION 18 (1).

I HENRY HIRST, of 414 Collins-street, Melbourne, consulting metallurgist, on behalf of the Institution of Automotive and Aeronautical Engineers, being an association about to be formed for the purposes of promoting the science and practice of automotive, aeronautical, transportation, and allied engineering, hereby give notice of intention to apply to the Attorney-General for a licence directing that the said association be registered as a company with limited liability, without the addition of the word "Limited" to its name.

Dated this 20th day of August, 1946.

7546

H. HIRST.

The *Companies Act 1938*.—In the matter of D.E.S. ELECTRICAL COMPANY PROPRIETARY LIMITED, of 323 Bourke-street, Melbourne, trading as "P. DRAPER'S ELECTRICAL SERVICE."

NOTICE is hereby given that, in pursuance of section 238 of the *Companies Act 1938*, a meeting of the creditors of the above-named company will be held at the offices of H. M. Kennedy and Smal, Broken Hill Chambers, 31 Queen-street, Melbourne, at Three o'clock p.m., on Monday, the 2nd September, 1946.

C. C. DRAPER, Director.

H. M. Kennedy and Smal, accountants and registered trustees, Broken Hill Chambers, 31 Queen-street, Melbourne. 7538

The *Companies Act 1938*.—In the matter of WARRNAMBOOL CREDITS PROPRIETARY LIMITED (in Liquidation).—Notice of Final Meeting.

NOTICE is hereby given that, pursuant to section 236 of the *Companies Act 1938*, a General Meeting of the members of the above-named company will be held at the office of E. C. Candy, 340 Little Collins-street, Melbourne, on Thursday, the 3rd day of October, 1946, at Ten o'clock in the forenoon, for the purpose of having an account laid before them showing the manner in which the winding up has been conducted and the property of the company disposed of, and of hearing any explanation that may be given by the liquidator.

Dated this 21st day of August, 1946.

E. C. CANDY, Liquidator.

E. C. Candy, chartered accountant (Aust.), 340 Little Collins-street, Melbourne. 7529

CREDITORS next of kin, and all others having claims in respect of the estate of Robert Poulton, late of Hopetoun, farmer, deceased (who died on the 11th day of May, 1946), are requested to send the particulars of their claims to the executors, Ethel May Poulton and Denis James Commons, in care of the under-mentioned solicitor, on or before the 31st day of October, 1946, after which date the executors will distribute the assets, having regard only to the claims of which they then have notice.

D. J. COMMONS, solicitor, Hopetoun.

7482

CREDITORS, next of kin, and all others having claims in respect of the estate of Harvey Lawrence William Lawn, late of Hopetoun, farmer, deceased (who died on the 5th day of May, 1946), are requested to send the particulars of their claims to the executor, Harold Lawn, in care of the under-mentioned solicitor, on or before the 31st day of October, 1946, after which date the executor will distribute the assets, having regard only to the claims of which he then has notice.

D. J. COMMONS, solicitor, Hopetoun.

7483

CREDITORS, next of kin, and all others having claims in respect of the estate of Gustave Adolph Hiernich Pietsch, formerly of Hopetoun, but late of Kewell (who died on the 7th day of April, 1946), are requested to send particulars thereof to the executor, Alwin Gerard Pietsch, in care of the under-mentioned solicitor, on or before the 31st day of October, 1946, after which date the executor will distribute the assets, having regard only to the claims of which he then has notice.

D. J. COMMONS, solicitor, Hopetoun.

7484

CREDITORS, next of kin, and all others having claims in respect of the estate of John Eric Carra, formerly of Hopetoun, but late of 40 Wimmera-street, Stawell, retired farmer, deceased (who died on the 21st day of April, 1946), are requested to send the particulars of their claims to the executrix, Ada Carra, in care of the under-mentioned solicitor, on or before the 31st day of October, 1946, after which date the executrix will distribute the assets, having regard only to the claims of which she then has notice.

D. J. COMMONS, solicitor, Hopetoun.

7485

CREDITORS, next of kin, and all others having claims in respect of the estate of Walter Thomas McAlpine, late of Lascelles, farmer, deceased (who died on the 19th day of December, 1945), are requested to send the particulars thereof to the executors, William Robert McAlpine, Walter Thomas McAlpine, and Edward Alexander McAlpine, in care of the under-mentioned solicitor, on or before the 31st day of October, 1946, after which date the executors will distribute the assets, having regard only to the claims of which they then have notice.

D. J. COMMONS, solicitor, Hopetoun.

7486

EDWARD HELM, late of 63 Glass-street, Essendon, in the State of Victoria, gentleman, DECEASED (who died on the 9th day of May, 1946).

CREDITORS, next of kin, and all other persons having claims against the estate of the deceased are required by the executors, The Trustees, Executors, and Agency Company Limited, to send particulars to it, at its registered office, 401-403 Collins-street, Melbourne, on or before the 31st day of October, 1946, after which date it will distribute the assets, having regard only to the claims of which it then has notice.

CORNWALL, STODART, & CO., solicitors, 47 Queen-street, Melbourne. 7490

CREDITORS, next of kin, and others having claims in respect of the estate of James Cave, formerly of Moriac, but late of 13 Saffron-street, Chilwell, Geelong, in the State of Victoria, retired farm manager, deceased (who died on the 5th day of July, 1946), are to send the particulars of their claims to The Ballarat Trustees, Executors, and Agency Company Limited, at its branch office, Malop-street, Geelong aforesaid, by the 4th day of November, 1946, after which date it will distribute the assets, having regard only to the claims of which it then has notice.

A. H. ROWMAN & SONS, solicitors, 43 Yarra-street, Geelong. 7481

Trustee Act 1928.
NOTICE TO CLAIMANTS.

PURSUANT to the *Trustee Act 1928*, creditors, next of kin, and all other persons having claims in respect of the estate of any deceased person named below are required to send particulars thereof to the legal personal representative or representatives at the address stated below, on or before the date stated, after which date the representative or representatives will distribute the assets, having regard only to the claims of which notice has been received:—

Sarah Liddle Brown, late of Rosebrook, widow, died 13th June, 1946.—Claims to the executors, Lindsay Colin Wilson, dairy farmer, and Jean Alice Wilson, married woman, both of Rosebrook, care of J. W. Powling, solicitor, Port Fairy, by 2nd November, 1946. 7492

Arthur John Conder, late of She Oaks, near Geelong, farmer, died 7th July, 1946.—Claims to the executors, Alick James Richards, of She Oaks, and Francis George William Bourquin, of Steiglitz, farmers, care of Wighton and McDonald, solicitors, 53 Yarra-street, Geelong, by 30th October, 1946. 7500

Elizabeth Mary Pilkington, late of "St. Martins," Whitehorse-road, Mont Albert, widow, deceased, died 20th December, 1945.—Claims to executors, Francis John Victor Wilcox and Frank William Pilkington, care of A. G. Hall and Wilcox, solicitors, 20 Queen-street, Melbourne, by 29th October, 1946. A. G. Hall and Wilcox, solicitors, 20 Queen-street, Melbourne. 7536

Wilhelm Emil Wiese (otherwise known as James Wise), late of 7 Schutt-street, Newport, labourer, deceased, died 10th March, 1946.—Claims to the executor, John David Murphy, of 27 Durkin-street, Newport, storeman, care of John F. Carroll, solicitor, 4 Paisley-street, Footscray, by 31st October, 1946. John F. Carroll, LL.B., solicitor, 4 Paisley-street, Footscray. 7554

Annie Kathleen White, late of 105 Thompson-street, Williamstown, clerk, deceased, died 10th June, 1946.—Claims to the executor, Vincent Daniel Lourey, of 23 Shannon-street, North Geelong, foreman, care of John F. Carroll, solicitor, 4 Paisley-street, Footscray, by 31st October, 1946. John F. Carroll, LL.B., solicitor, 4 Paisley-street, Footscray. 7555

Owen Francis Casey, late of Cororooke, of no occupation, died 15th March, 1946.—Claims to the executors, Patrick O'Sullivan, of Cororooke, farmer, and Patrick Dolan, of 374 Murray-street, Colac, factory employee, by 15th November, 1946. Sewell and Sewell, solicitors, Colac. 7562

CREDITORS, next of kin, and others having claims in respect of the estate of William Dalglish, late of 145 Nelson-road, South Melbourne, contractor, deceased (who died on the 20th day of March, 1923), are to send the particulars of their claims to The Perpetual Executors and Trustees Association of Australia Limited, of 100-104 Queen-street, Melbourne, by the 30th day of October, 1946, after which date it will distribute the assets, having regard only to the claims of which it then has notice.

Dated the 28th day of August, 1946.
ELLISON, HEWISON, & WHITEHEAD, solicitors, 352 Collins-street, Melbourne. 7531

CREDITORS, next of kin, and others having claims in respect of the estate of Isabella Dalglish, late of 145 Nelson-road, South Melbourne, widow, deceased (who died on the 1st day of May, 1909), are to send the particulars of their claims to The Perpetual Executors and Trustees Association of Australia Limited, of 100-104 Queen-street, Melbourne, by the 30th day of October, 1946, after which date it will distribute the assets, having regard only to the claims of which it then has notice.

Dated the 28th day of August, 1946.
ELLISON, HEWISON, & WHITEHEAD, solicitors, 352 Collins-street, Melbourne. 7532

CREDITORS, next of kin, and others having claims in respect of the estate of Margaret Dalglish, late of 145 Nelson-road, South Melbourne, school teacher, deceased (who died on the 3rd day of May, 1929), are to send the particulars of their claims to The Perpetual Executors and Trustees Association of Australia Limited, of 100-104 Queen-street, Melbourne, by the 30th day of October, 1946, after which date it will distribute the assets, having regard only to the claims of which it then has notice.

Dated the 28th day of August, 1946.
ELLISON, HEWISON, & WHITEHEAD, solicitors, 352 Collins-street, Melbourne. 7533

No. 170.—8762/46.—3

CREDITORS, next of kin, and others having claims in respect of the estate of Valerie May Ringrose, late of 223 Victoria-street, West Melbourne, in the State of Victoria, married woman, deceased, intestate (who died on the 10th day of March, 1946), are to send particulars of their claims to Clarence Chester Ringrose, the administrator of the estate of the said deceased, care of the undersigned, by the 30th day of October, 1946, after which date he will distribute the assets, having regard only to the claims of which he then has notice.

Dated the 28th day of August, 1946.
ELLISON, HEWISON, & WHITEHEAD, solicitors, 352 Collins-street, Melbourne. 7534

PURSUANT to the *Trustee Act 1928*, all persons having claims against the property or estate of Claire Derling Apperley, late of 22 Cole-street, Elwood, in the State of Victoria, married woman, deceased (who died on the 10th day of June, 1946, and letters of administration with the will annexed of whose estate were granted by the Supreme Court of Victoria, on the 20th day of August, 1946, to The Equity Trustees, Executors, and Agency Company Limited, of 472 Bourke-street, Melbourne, in the said State), are hereby required to send particulars of such claims to the said company, at its address above-mentioned, on or before the 20th day of October, 1946, after the expiration of which time the said company will proceed to distribute the assets of the said deceased amongst the persons entitled thereto, having regard only to claims of which it shall have had notice.

Dated this 22nd day of August, 1946.
BLAKE & RIGGALL, 120 William-street, Melbourne, solicitors for the said company. 7527

PURSUANT to the *Trustee Act 1928*, all persons having claims against the property or estate of Catherine Ann Ryan, late of 11 Glen-street, Hawthorn, in the State of Victoria, spinster, deceased (who died on the 5th day of March, 1946, and probate of whose will was granted by the Supreme Court of Victoria on the 20th day of August, 1946, to The Union Trustee Company of Australia Limited, of 333 Collins-street, Melbourne, in the said State), are hereby required to send particulars of such claims to the said company, at its address above-mentioned, on or before the 20th day of October, 1946, after the expiration of which time the said company will proceed to distribute the assets of the said deceased amongst the persons entitled thereto, having regard only to claims of which it shall have had notice.

Dated this 22nd day of August, 1946.
BLAKE & RIGGALL, 120 William-street, Melbourne, solicitors for the said company. 7528

CREDITORS, next of kin, and others having claims against the estate of Mary Jane Allen, formerly of 10 Tribe-street, Albert Park, but late of 26 Collins-street, Melbourne, married woman, deceased (who died on the 27th day of April, 1946), are to send the particulars of their claims to The Perpetual Executors and Trustees Association of Australia Limited, whose registered office is situate at 100-104 Queen-street, Melbourne, by the 31st day of October, 1946, after which date it will distribute the assets, having regard only to the claims of which it then has notice.

WILLIAM S. COOK & McCALLUM, 422 Collins-street, Melbourne, solicitors. 7530

EDWARD NORMAN NORTHWAY, formerly of White Hills, gardener, but lately a private in the Australian Imperial Forces, DECEASED.

CREDITORS, next of kin, and all other persons having claims against the estate of the deceased are required by Rita Maud Northway, of Cambridge-crescent, White Hills, the executrix of the will, to send particulars to her, care of the under-mentioned solicitors, on or before the 28th day of October, after which date she will distribute the assets, having regard only to the claims of which they shall then have notice.

Dated this 28th day of August, 1946.
T. M. WILLIAMS, WATSON, & JAMES, solicitors, 16 View-street, Bendigo. 7501

THE PERPETUAL EXECUTORS AND TRUSTEES ASSOCIATION OF AUSTRALIA LIMITED, whose registered office is situate at Nos. 100-104 Queen-street, Melbourne, in the State of Victoria, the administrator of the estate of Eliza Ford, late of Nooramunga, in the State of Victoria, married woman, deceased, intestate (who died on the 23rd day of August, 1937), require all creditors, next of kin, and others having claims against the property or estate of the said deceased to send to the said association, on or before the 30th day of October, 1946, particulars, in writing, of such claims, after which date the said association intends to convey or distribute such property or estate to or among the persons entitled thereto, having regard only to the claims of which it shall have had notice.

Dated the 23rd day of August, 1946.
HAMILTON CLARKE, CLARKE, & McNICOL, Nunn-street, Benalla, proctors for the said association. 7505

CREDITORS, next of kin, and others having claims in respect of the estate of Jane Ann Gordon, late of Violet Town, widow, deceased (who died on the 10th day of June, 1946), are required to send particulars of their claims to William Arthur Croxford, the executor to whom probate of the will of the said Jane Ann Gordon was granted by the Supreme Court of Victoria, on the 17th day of July, 1946, care of the under-mentioned solicitors, on or before the 31st day of October, 1946, after which date the said executor will proceed to distribute the assets of the said deceased amongst the persons entitled thereto, having regard only to the claims of which he then has notice.

TURNER & TURNER, solicitors, Euroa. 7493

ROBERT MOSES HORWOOD, late of Mount Clear, retired bus proprietor, DECEASED (who died on the 14th June, 1946).

CREDITORS, next of kin, and all other persons having claims against the estate of the deceased are required by the executor, Elliott Thomas Morris, of Ballarat-road, Creswick, law clerk, to send particulars to him, care of the undersigned, on or before the 1st November, 1946, after which date he will distribute the assets, having regard only to the claims of which he then has had notice.

NEVETT, NEVETT, & GLENN, solicitors, 11 Lydiard-street, Ballarat. 7497

NOTICE TO CREDITORS.

CREDITORS, next of kin, and others having claims in respect of the estate of John Charles O'Loughlin, formerly of 9 Gillies-street, Ballarat, civil servant, but late of Drummond-street south, Ballarat, retired civil servant, deceased (who died on the 6th June, 1946), are to send particulars of their claims to The Ballarat Trustees, Executors, and Agency Company Limited, at its address, 101 Lydiard-street north, Ballarat, by the 29th day of October, 1946, after which date the company will distribute the assets, having regard only to the claims of which it then has notice.

Dated the 23rd day of August, 1946.

BAIRD & BAIRD, solicitors, Ballarat. 7498

ERNEST NAPOLEON COLLINS, late of No. 126 Kilgour-street, Geelong, in the State of Victoria, gentleman, DECEASED (who died 30th April, 1946).

CREDITORS, next of kin, and all other persons having claims against the estate of the deceased, are required by the executors of the will, Ina Frances Collins, of Kilgour-street, Geelong aforesaid, spinster, and Aurel Victor Jung Just, of Malop-street, Geelong aforesaid, solicitor, to send particulars to them, care of the undersigned, on or before 31st October, 1946, after which date they will distribute the assets, having regard only to the claims of which they then have notice.

WHYTE, JUST, & MOORE, solicitors, 27 Malop-street, Geelong. 7499

PURSUANT to the *Trustee Act 1928*, notice is hereby given that all persons having claims against the estate of Benjamin Kerr, late of Wycheproof, in the State of Victoria, farmer, deceased (who died on the 31st day of January, 1946, and probate of whose will was on the 27th day of June, 1946, granted by the Supreme Court of Victoria, in its probate jurisdiction, to The Trustees, Executors, and Agency Company Limited, of 401 Collins-street, Melbourne, in the said State, and Duke William Paine, of Donald, in the said State, solicitor), are hereby required to send in particulars, in writing, of such claims to the said company, on or before the 1st day of November, 1946, after which date the executors will proceed to convey or distribute the said estate, or any part thereof, to or among the persons entitled thereto, having regard only to the claims, whether formal or not, of which they shall then have had notice. And notice is further given that they will not be liable to any person of whose claim they shall not then have had such notice as aforesaid.

Dated this 24th day of August, 1946.

OAKLEY, THOMPSON, & CO., solicitors, Donald (and at Birchip and 443 Little Collins-street, Melbourne), proctors for the executors. 7525

CREDITORS, next of kin, and others having claims in respect of the estate of Elise Rosa Elliott, late of 35 York-street, St. Kilda, in the State of Victoria, widow, deceased (who died on the 30th day of June, 1946), are to send particulars of their claims to George Elliott Derrick, the executor of the will of the said deceased, care of the undersigned, by the 30th day of October, 1946, after which date he will distribute the assets, having regard only to the claims of which he then has notice.

Dated the 21st day of August, 1946.

GEOFFREY E. DAVIS, solicitor, 443 Little Collins-street, Melbourne. 7516

CREDITORS, next of kin, and others having claims in respect of the estate of Adela Wade, formerly residing at Geelong Grammar School, Corio, in the State of Victoria, but late of 30 Vincent-street, East Malvern, in the said State, spinster, deceased (who died on the 16th day of June, 1946), are to send the particulars of their claims to Bertha Elizabeth Johnston, in the care of Messrs. Holt, Graham, and Newman, solicitors, 178 Collins-street, Melbourne, Victoria, by the 24th day of October, 1946, after which date she will distribute the assets, having regard only to the claims of which she then has notice.

HOLT, GRAHAM, & NEWMAN, solicitors, 178 Collins-street, Melbourne. 7514

CREDITORS, next of kin, and others having claims in respect of the estate of Catherine Elizabeth Tully, late of Railway-place, Hawthorn, in the State of Victoria, widow, deceased (who died on the 4th day of February, 1941), are required by the administrator of the estate, Ernest Thomas Tully, of 1 Elgin-place, Hawthorn, in the State of Victoria, process worker, to send particulars of their claims to the said Ernest Thomas Tully, care of the undersigned, by the 4th day of November, 1946, after which date the said Ernest Thomas Tully will distribute the assets, having regard only to the claims of which he then has notice.

Dated the 22nd day of August, 1946.

MOLOMBY & ASTLEY, solicitors, 99 Queen-street, Melbourne. 7517

NOTICE TO CLAIMANTS—DAVID ROBERTSON, late of Bacchus Marsh, farmer and grazier and investor, (who died on the 5th day of April, 1946).

CREDITORS, next of kin, and all other persons having claims against the estate of the deceased, are required by the executors, David Ian Robertson and Arthur Evan Robertson, to send particulars thereof to them, in care of the under-mentioned solicitors, on or before the 1st day of November, 1946, after which date the executors will distribute the assets, having regard only to the claims of which they then have notice.

MC EACHARN & SHAW, solicitors, 352 Collins-street, Melbourne. 7520

PURSUANT to the *Trustee Act 1928*, all persons having claims against the estate of Aaron Richard Bernstein, late of 167 Clarke-street, Northcote, manufacturer, deceased (who died on the 22nd April, 1946), are required by the executor of his will, The Trustees, Executors, and Agency Company Limited, of 401 Collins-street, Melbourne, to send particulars of such claims to the said company, at its said address, on or before the 30th October, 1946, after which date the executor will distribute the assets of the said deceased amongst the persons entitled thereto, having regard only to the claims of which it then has had notice.

RUSSELL, KENNEDY, & COOK, solicitors, 401 Collins-street, Melbourne. 7522

PURSUANT to the *Trustee Act 1928*, notice is hereby given that all persons having claims against the estate of Frederick William Riley, late of Mulwala, in the State of New South Wales, formerly of 33 James-street, Windsor, in the State of Victoria, carpenter, deceased (who died on the 15th day of April, 1946), are required by William Charles Riley, of 14 Rosedale-road, Glen Iris, in the said State, boxmaker, and Norman Edward Riley, of David-street, Dandenong, in the said State, cabinetmaker, the executors of the will of the said deceased, to send particulars, in writing, of their claims to them, in care of the undersigned, on or before the 4th day of November, 1946, after which date the said executors will distribute the assets of the said deceased, having regard only to the claims of which they shall then have had notice.

McKENNA & TALBOT, 423 Little Collins-street, Melbourne, solicitors for the applicant. 7523

PURSUANT to the *Trustee Act 1928*, notice is hereby given that all persons having any claim against the estate of Edith Amelia Morton (also known as Edith Smith), formerly of 171 Aeland-street, St. Kilda, but late of 39 Edwards-avenue, Garden City, in the State of Victoria, gentlewoman, deceased (who died on 7th May, 1946, and probate of whose will was, on 1st August, 1946, granted by the Supreme Court of Victoria to Harry Tolhurst McKean, of 84 William-street, Melbourne, solicitor, the executor appointed by the said will), are hereby required to send particulars, in writing, of such claims to the said executor, at the office of McKean and Park, 84 William-street, Melbourne, on or before the 22nd October, 1946, after which date the said executor will proceed to distribute the assets of the said deceased, which have come to his hands, among the persons entitled thereto, having regard only to the claims of which he shall then have had notice.

Dated 21st August, 1946.

McKEAN & PARK, 84 William-street, Melbourne, solicitors for the executor. 7565

THOMAS COLWELL, formerly of Waverley-road, Oakleigh, late of 10 Paddington-road, Oakleigh, in the State of Victoria, retired farmer (who died 30th March, 1942).

CREDITORS, next of kin, and all other persons having claims against the estate of the deceased are required by the executor of the will, James Colwell, of Dominion-circuit, Forrest, Canberra, in the Federal Capital Territory, civil servant, to send particulars to him, care of the undersigned, on or before the 31st October, 1946, after which date he will distribute the assets, having regard only to the claims of which he then has notice.

JOHN D. MUSTOW, solicitor, 89 Queen-street, Melbourne.
7543

ARTHUR EDWARD SHARPE, late of 1 Ford-street, West Preston in the State of Victoria, stuff cutter, DECEASED.

CREDITORS, next of kin, and others having claims in respect of the estate of the above-named deceased (who died on the 24th day of May, 1946) are requested to send the particulars of their claims to the executor, George Wilfred Powell, care of the undernamed solicitors, by the 30th day of October, 1946, after which date he will distribute the assets, having regard only to the claims of which he then has notice.

NORRIS & NORRIS, of 422 Collins-street, Melbourne, solicitors.
7544

JOHN ISAAC DAVIES, formerly of 32 Williamstown-road, West Footscray, but late of 60 Herbert-street, Parkdale, in the State of Victoria, retired engineer (who died on the 25th June, 1946).

CREDITORS, next of kin, and all other persons having any claims against the deceased, or his estate, are required by the executor of the will, The Perpetual Executors and Trustees Association of Australia Limited, of 100-104 Queen-street, Melbourne, in the said State, to send particulars to the said company on or before the 31st October, 1946, after which date the said executor will distribute the assets, having regard only to the claims of which it then has notice.

RODDA, BALLARD & VROLAND, solicitors, 430 Little Collins-street, Melbourne.
7547

NOTICE TO CLAIMANTS.—RE SUNDAR SINGH, DECEASED.

NOTICE is hereby given that all persons having claims against the property or estate of Sundar Singh, late of Allstree, licensed hawker, deceased (who died on the 5th day of October, 1945, and letters of administration with will annexed of whose estate were granted to The Ballarat Trustees, Executors, and Agency Company Limited, whose registered office is in Lydiard-street north, Ballarat), are hereby required to send, in writing, particulars of such claims to the said The Ballarat Trustees, Executors, and Agency Company Limited, on or before the 1st day of November, 1946, after which date it will convey or distribute such property or estate to or among the persons entitled thereto, having regard only to the claims of which it shall then have had notice.

CAMERON & LOWENSTERN, Thompson-street, Hamilton, solicitors for the said company.
7556

RE JOHN O'BRIEN, late of Ultima, farmer, DECEASED.

PURSUANT to the provisions of the Trustee Acts, notice is hereby given that Alice Margaret O'Brien, of Ultima, widow, Michael Mark O'Brien, of Jeparit, medical practitioner, and Victor Thomas O'Brien, of Ultima, farmer, the executors of the will of the above-named deceased, intend to convey or distribute the estate of the said deceased to or among the persons entitled thereto, and hereby require all persons interested to send to the said executors, in care of Gerald Edward Delany, solicitor, 63 Campbell-street, Swan Hill, on or before the 23rd day of November, 1946, particulars of their claims against the said estate, and at the expiration of that time the said executors will convey or distribute the said estate to or among the persons entitled thereto, having regard only to the claims of which they shall then have had notice.

GERALD E. DELANY, LL.B., solicitor, 63 Campbell-street, Swan Hill.
7557

CREDITORS, next of kin, and all others having claims in respect of the estate of Mabel Cutts Charlton, formerly of Dorrington-avenue, East Malvern, but late of 6 Ellerslie-place, Toorak, married woman, deceased (who died on the 8th day of August, 1945) are required by Oswald Reginald Cooper Murray Charlton, of 32 Queens-road Melbourne, and John Wentworth Fenton, of 422 Collins-street, Melbourne, the executors of the will, to send particulars to them, care of the under-mentioned solicitors, on or before the 31st day of October, 1946, after which date they will distribute the assets, having regard only to the claims of which they shall then have had notice.

FENTON & DUNN, of 422 Collins-street, Melbourne, solicitors.
7558

CREDITORS, next of kin, and others having claims in respect of the estate of Agnes Mary Stirling, formerly of Burnie, but late of Queenstown, in Tasmania, widow, deceased (who died on the 9th day of July, 1945), are to send particulars of their claims to National Trustees, Executors, and Agency Company of Australasia Limited, having its registered office at 95 Queen-street, Melbourne, in the State of Victoria, by the 3rd day of November, 1946, after which date it will distribute the assets, having regard only to the claims of which it then has notice.

GAVAN DUFFY & KING, solicitors, 95 Queen-street, Melbourne.
7526

OTTO CHARLES SCHUMACHER, late of "Columbia," corner of Malvern and Irving roads, Toorak, and of Port Melbourne, milling engineer, DECEASED (who died 27th January, 1946).

CREDITORS, next of kin, and all other persons having claims against the estate of the deceased are required by the executors of his will, The Trustees, Executors, and Agency Company Limited, of 401 Collins-street, Melbourne, John Saville Eastwood, of 430 Little Collins-street, Melbourne, public accountant and auditor and taxation specialist, and Frank Shaw Fitchett, of 405 Collins-street, Melbourne, solicitor, to send particulars to them, at the office of the said company, on or before the 15th day of November, 1946, after which date the said executors will distribute the assets, having regard only to the claims of which they shall then have had notice.

Dated the 23rd day of August, 1946.

HADEN SMITH & FITCHETT, 405 Collins-street, Melbourne.
7535

CREDITORS, next of kin, and others having claims in respect of the estate of John Thomas Morris, late of 38 Finch-street, East Malvern, in the State of Victoria, retired grazier, deceased (who died on the 29th day of April, 1946), are to send the particulars of their claims to John Ritchie Fullarton, The Perpetual Executors and Trustees Association of Australia Limited, to its registered office, situate at 100-104 Queen-street, Melbourne, by the 4th day of November, 1946, after which date the said John Ritchie Fullarton and the said company will distribute the assets, having regard only to the claims of which he and it then have notice.

Dated this 26th day of August, 1946.

LYNCH & MACDONALD, solicitors, 360 Collins-street, Melbourne.
7539

ALL persons having claims against the estate of William Macpherson Smith, formerly of 5 Tollington-avenue, East Malvern, but late of Shrublands Private Hospital, Orrong-road, Elsternwick, both in Victoria, retired grazier, deceased (who died on 15th May, 1946, and probate of whose will and codicil was, on 21st August, 1946, granted by the Supreme Court of Victoria, to The Trustees, Executors, and Agency Company Limited, the registered office of which is situate at 401 Collins-street, Melbourne, Victoria, and Blair Rucker Gillfillan, of Eldernell-avenue, Hamilton, Brisbane, Queensland, the executors appointed thereby), are hereby required to send particulars, in writing, of such claims to the said executors, to care of The Trustees, Executors, and Agency Company Limited, at its said registered office, on or before 1st November, 1946, after which date the said executors will proceed to convey or distribute the said estate to or among the persons entitled thereto, having regard only to the claims of which such executors shall then have had notice, and will not be liable for the assets so distributed to any person of whose claim such executors shall not then have had notice.

MALLESON, STEWART, & CO., solicitors, 46 Queen-street, Melbourne.
7540

PURSUANT to the Trustee Act 1928, all persons having claims against the estate of Bernard Thomas Gallagher, late of Annuello, storekeeper and farmer, deceased (who died on the 14th April, 1946, and probate of whose will was granted by the Supreme Court of Victoria on the 14th August, 1946, to Mary Louisa Gallagher, of Annuello, widow, the executrix appointed by the said will), are hereby required to send particulars, in writing, of such claims to the said Mary Louisa Gallagher, in care of Gerald E. Delany, solicitor, Swan Hill, on or before the 14th day of November, 1946, after which date the said Mary Louisa Gallagher will proceed to distribute the assets of the said deceased which shall have come into her hands amongst the persons entitled thereto, having regard only to the claims of which she shall then have had notice, and the said Mary Louisa Gallagher will not be liable for the assets so distributed, or any part thereof, to any person of whose claims she shall not have had notice as aforesaid.

Dated this 24th day of August, 1946.

GERALD E. DELANY, Campbell-street, Swan Hill, solicitor for the executrix.
7561

CREDITORS, next of kin, and others having claims in respect of the estate of Walter John Irvine, formerly of 99 Queen-street, Melbourne, but late of "Burrecl," Kooyong-road, Elsternwick, gentleman (who died on 27th June, 1946), are required by the executors, John Lawrence Molomy, of 99 Queen-street, Melbourne, solicitor, and Albert Thomas Irvine, of 77 Ormond-esplanade, Elwood, millinery manufacturer, to send particulars of their claims to the said John Lawrence Molomy and Albert Thomas Irvine, care of the undersigned, by the 30th day of November, 1946, after which date the said John Lawrence Molomy and Albert Thomas Irvine will distribute the assets, having regard only to the claims of which they then have notice.

Dated the 23rd day of August, 1946.

MOLOMBY & ASTLEY, solicitors, 99 Queen-street, Melbourne. 7541

REBECCA COLWELL, late of 10 Paddington-road, Oakleigh, in the State of Victoria, widow (who died 19th August, 1945).

CREDITORS, next of kin, and all other persons having claims against the estate of the deceased are required by the executor of the will, James Colwell, of Dominion-circuit, Forrest, Canberra, in the Federal Capital Territory, civil servant, to send particulars to him, care of the undersigned, on or before 31st October, 1946, after which date he will distribute the assets, having regard only to the claims of which he then has notice.

JOHN D. MUSTOW, solicitor, 89 Queen-street, Melbourne. 7542

AMY ALICETTA CLARK, late of 6 Victoria-avenue, Elsternwick, widow, DECEASED (who died 11th April, 1946).

CREDITORS, next of kin, and all other persons having claims against the estate of the deceased are required by the administratrix of the said estate, Winifred Kate Rudrum, of 13 Lumenh-road, Caulfield, married woman, to send particulars of such claims to her, in the care of the undersigned solicitors, at their address hereunder appearing, on or before the 8th November, 1946, after which date the said administratrix will distribute the assets of the said deceased, having regard only to the claims of which she then has notice.

FARMER & RAMSAY, solicitors, 94 Queen-street, Melbourne. 7559

CREDITORS, next of kin, and others having claims in respect of the estate of Mona Kathleen Calverley, late of 191 St. George's-road, Northcote, in the State of Victoria, married woman, deceased (who died on the 5th day of May, 1946), are to send particulars of their claims to National Trustees, Executors, and Agency Company of Australasia Limited, whose registered office is situate at 95 Queen-street, Melbourne, by the 30th day of October, 1946, after which date it will distribute the assets, having regard only to the claims of which it then has notice.

RYMER, LANGFORD, & RITCHIE, solicitors, 128 William-street, Melbourne. 7563

MINING NOTICES.

EAST CLARENCE GOLD MINING COMPANY NO LIABILITY.

NOTICE.

A CALL (the 49th) of Six pence per share has been made on the capital of this company, due and payable at the company's office, Charing Cross, Bendigo, on Wednesday, 11th September, 1946.

J. J. STANISTREET
7495 (McColl, Rankin, and Stanistreet), Manager.

SOUTH DEBORAH GOLD MINES NO LIABILITY.

NOTICE.

A CALL (the 20th) of Six pence per share has been made on the capital of this company, due and payable at the company's office, Charing Cross, Bendigo, on Wednesday, 11th September, 1946.

J. J. STANISTREET
7494 (McColl, Rankin, and Stanistreet), Manager.

CENTRAL NELL GWYNNE GOLD MINING COMPANY NO LIABILITY.

NOTICE is hereby given that an Extraordinary Meeting of shareholders of the above company will be held at the company's office, Charing Cross, Bendigo, on Friday, the 20th day of September, 1946, at Ten o'clock a.m.

BUSINESS.

1. To alter the rules of the company by the insertion of the following new rule:—

"5A. Subject to the Companies Act, the capital of the company may from time to time be increased by the creation of new shares."

2. To increase the capital of the company from £25,000 to £50,000 by increasing the amount payable in respect to each of the Fifty thousand shares in the company from Ten shillings to One pound.

3. To confirm the minutes of the meeting.

Dated this 23rd day of August, 1946.

By order of the Board,

7496

J. J. STANISTREET, Manager.

MAXWELL WEST GOLD MINE NO LIABILITY.

NOTICE is hereby given that all shares forfeited for non-payment of the 10th (August) Call of Three pence per share will be sold by public auction at the Stock Exchange Hall, 428 Little Collins-street, Melbourne, on Tuesday, 10th September, 1946, at a quarter to Twelve o'clock a.m., unless the shares be previously redeemed.

F. L. SMYTH, Manager.

Registered office: 140 Queen-street, Melbourne. 7549

SOUTH VIRGINIA GOLD MINING COMPANY NO LIABILITY.

NOTICE is hereby given that all shares forfeited for non-payment of the 16th (August) Call of Six pence per share will be sold by public auction at the Stock Exchange Hall, 428 Little Collins-street, Melbourne, on Tuesday, 10th September, 1946, at a quarter to Twelve o'clock a.m., unless the shares be previously redeemed.

F. L. SMYTH, Manager.

Registered office: 140 Queen-street, Melbourne. 7550

HERCULES GOLD MINING COMPANY NO LIABILITY.

ALL contributing shares (Nos. 1 to 60,000), upon which the 47th Call of Six pence per share (due and payable on 14th August, 1946), remains unpaid, will be sold by public auction at the Stock Exchange, Melbourne, on Tuesday, 10th September, 1946, at a quarter to Twelve o'clock a.m., unless the Call be previously paid.

H. L. STEWART

(J. G. Stanfield and Stewart), Manager.

379 Collins-street, Melbourne. 7551

IRONBARK GOLD MINING COMPANY NO LIABILITY.

ALL contributing shares (Nos. 1 to 60,000), upon which the 95th Call of Three pence per share (due and payable on 14th August, 1946), remains unpaid will be sold by public auction at the Stock Exchange, Melbourne, on Tuesday, 10th September, 1946, at a quarter to Twelve o'clock a.m., unless the Call be previously paid.

H. L. STEWART

(J. G. Stanfield and Stewart), Manager.

379 Collins-street, Melbourne. 7552

IRONBARK SOUTH GOLD MINING COMPANY NO LIABILITY.

ALL contributing shares (Nos. 1 to 60,000), upon which the 75th Call of Three pence per share (due and payable on 14th August, 1946), remains unpaid will be sold by public auction at the Stock Exchange, Melbourne, on Tuesday, 10th September, 1946, at a quarter to Twelve o'clock a.m., unless the Call be previously paid.

H. L. STEWART

(J. G. Stanfield and Stewart), Manager.

379 Collins-street, Melbourne. 7553

IMPOUNDINGS.

BOX HILL.—Impounded at Box Hill, by D. Rickard.
 1 grey pony mare, aged, no visible brand
 If not claimed and expenses paid, to be sold on 12th September, 1946.
 H. J. BARRETT,
 Poundkeeper.
 7507—4/

BRANXHOLME.—Impounded at Branzholme.
 1 roan Shorthorn cow, back notch near ear, no visible brand
 If not claimed and expenses paid, to be sold on 14th September, 1946.
 J. ATKINSON,
 Poundkeeper.
 7510—4/

COLAC.—Impounded in Colac Pound.
 1 red cow, top off ear
 If not claimed and expenses paid, to be sold on 12th September, 1946.
 JAMES McCONNELL,
 Poundkeeper.
 7568—4/

CROYDON.—Impounded at Croydon, on 16th August, 1946.
 1 bay horse, thick set, collar marked, white blaze on face, no visible brand
 1 draught bay mare, shod, white blaze on face, white near hind foot, no visible brand
 If not claimed and expenses paid, to be sold on 20th September, 1946.
 A. C. HALL,
 Poundkeeper.
 7508, 7509—6/

ECHUCA.—Impounded at Echuca.
 3 roan steers, branded (H)
 1 baldy steer, branded (H)
 4 Jersey heifers, point off both ears, no visible brand
 1 baldy heifer, point off both ears, no visible brand
 1 red and white heifer, no visible brand
 If not claimed and expenses paid, to be sold on 2nd September, 1946.
 G. J. NEWMAN,
 Poundkeeper.
 7491—6/8

LEONGATHA.—Impounded at Leongatha, by D. Lester.
 1 Hereford bull, three notches out near ear, no visible brand
 If not claimed and expenses paid, to be sold on 5th September, 1946.
 GRACE NELSON,
 Poundkeeper.
 7504—4/

STATE ACTS, 1942.

COPIES of the following Acts of Parliament of Victoria may be obtained at the Government Printing Office, or from any bookseller, at the price set opposite to each:—

No.	Price s. d.
4880. Consolidated Revenue	0 6
4881. Consolidated Revenue	0 6
4882. Hospitals and Charities	0 6
4883. Sewerage Rates	0 6
4884. Sheep Dipping	0 6
4885. The Limless Soldiers Trust	1 0
4886. Consolidated Revenue	0 6
4887. National Security (Emergency Powers) Continuation	0 6

STATE ACTS, 1942—continued.

No.	Price s. d.
4888. Income Tax (War-time Collection)	0 6
4889. Freezing Works (Overdraft Guarantee)	0 6
4890. Consolidated Revenue	0 6
4891. Melbourne Markets	0 6
4892. Student Teachers (War Service)	0 6
4893. Cattle and Swine Compensation	0 6
4894. Drysdale United Service Home	0 6
4895. Public Trustee	0 6
4896. The Constitution Act Amendment	0 6
4897. Entertainments Tax (War-time Suspension)	0 6
4898. Melbourne and Metropolitan Tramways (Reserve Funds)	0 6
4899. Milk and Dairy Supervision	0 6
4900. Melbourne and Metropolitan Board of Works (Contributions)	0 6
4901. Execution of Trusts	0 6
4902. Melbourne and Metropolitan Board of Works (Rates)	0 6
4903. Adoption of Children	0 6
4904. Consolidated Revenue	0 6
4905. Land Tax (Exemptions)	0 6
4906. Land Tax	0 6
4907. Stamps (Increased Duty Continuance)	0 6
4908. Country Roads Board Fund	0 6
4909. Financial Emergency (Grants and Funds)	0 6
4910. Water Supply Loans Application	0 6
4911. Administration and Probate Duties	0 6
4912. Railway Loan Application	0 6
4913. Public Account Advances (Amendment)	0 6
4914. Farmers Protection (Amendment)	0 6
4915. Water	0 6
4916. Patriotic Funds	0 6
4917. St. Vincent's Hospital Land	0 6
4918. Survival of Actions	0 6
4919. Mines	0 6
4920. South Melbourne (Birrell-place) Land	0 6
4921. Local Government (Loans and Debentures)	0 6
4922. Local Government (Building Regulations) Amendment	0 6
4923. Miners' Phthisis (Treasury Allowances) Amendment	0 6
4924. Legal Profession Practice	0 6
4925. Motor Car (Amendment)	0 6
4926. Local Government (Street Construction)	1 0
4927. Victorian Inland Meat Authority	1 0
4928. Railway Construction Trusts Liabilities	0 6
4929. Surplus Revenue	0 6
4930. Railways (Long Service)	0 6
4931. Grain Elevators	0 6
4932. Coal Mine Workers Pensions	1 3
4933. State Forests Loan Application	0 6
4934. Health (Patent Medicines)	0 9
4935. Metropolitan Gas Company's	0 6
4936. Yannathan and Triholm Railway (Dismantling)	0 6
4937. Soil Conservation	0 6
4938. Forests	0 6
4939. Land Surveyors	0 9
4940. Administration and Probate (Amendment)	0 6
4941. Appropriation of Revenue	3 3
4942. Dietitians Registration	1 0

J. J. GOURLEY,
 Government Printer.

STATE ACTS, 1943.

COPIES of the following Acts of Parliament of Victoria may be obtained at the Government Printing Office, or from any bookseller, at the price set opposite to each:—

No.	Price. s. d.
4943. Consolidated Revenue	0 6
4944. Consolidated Revenue	0 6
4945. State Development	0 6
4946. Grain Elevators	0 6
4947. Consolidated Revenue	0 6
4948. Lunacy	0 6
4949. National Security (Emergency Powers) Continuation	0 6
4950. Commonwealth Powers	0 6
4951. Consolidated Revenue	0 6
4952. Factories and Shops (Chairmen of Wages Boards)	0 6
4953. Country Roads (Forest Roads and Stock Routes)	0 6
4954. State Schools (Bush Fire Relief)	0 6
4955. Consolidated Revenue	0 6
4956. Coal Mines Regulation	0 6
4957. Petrol Pumps (Licence Fees)	0 6
4958. Superannuation (Contributions)	0 6
4959. Coal Mine Workers Pensions	0 6
4960. Forests (Exchange of Lands)	0 6
4961. Local Government (Valuations)	0 6
4962. Railway Construction (Extensions)	0 6
4963. Mental Hygiene (Mode of Citation)	0 6
4964. Administration and Probate Duties	0 6
4965. Sewerage Districts	0 6
4966. Stamps (Increased Duty Continuance)	0 6
4967. Land Tax	0 6
4968. Surplus Revenue	0 6
4969. Financial Emergency (Grants and Funds)	0 6
4970. Partially Blinded Soldiers Fund	0 6
4971. Melbourne and Metropolitan Board of Works (Contributions)	0 6
4972. Milk Pasteurization	1 0
4973. Country Roads Board Fund	0 6
4974. Workers' Compensation	0 6
4975. Public Works Loan and Application	0 6
4976. Factories and Shops (Saturday Half-holiday)	0 6
4977. Springvale Necropolis Land	0 6
4978. South Melbourne to Melbourne Tramway Construction	0 6
4979. Water Supply Loans Application	0 6
4980. Forests	0 6
4981. State Forests Loan Application	0 6
4982. Administration and Probate (War Service)	0 6
4983. Water	0 9
4984. Farmers Protection (Amendment)	0 6
4985. Stamps	0 6
4986. Railway Loan Application	0 6
4987. Farmers Debts Adjustment	0 6
4988. Ministry of Health	1 0
4989. Discharged Servicemen's Preference	1 0
4990. Instruments (Insurance Contracts)	0 6
4991. Melbourne (Widening of Streets)	0 6
4992. Mines (Petroleum)	0 6
4993. Education	0 6
4994. Land Settlement (Acquisition)	0 6
4995. Land Settlement Loan and Application	0 6
4996. Housing	1 0
4997. Milk and Dairy Supervision	1 0
4998. Appropriation of Revenue	3 9

J. J. GOURLEY,
Government Printer.

STATE ACTS, 1944.

COPIES of the following Acts of Parliament of Victoria may be obtained at the Government Printing Office, or from any bookseller, at the price set opposite to each:—

No.	Price. s. d.
4999. Consolidated Revenue	0 6
5000. Local Government (Polling Booths)	0 6
5001. Police Offences (Unlawful Games)	0 6
5002. Hospitals and Charities	0 6
5003. Water (Loddon)	0 6
5004. Justices	0 6
5005. Coal Mines Regulation (Amendment)	0 6
5006. Consolidated Revenue	0 6
5007. Melbourne and Metropolitan Board of Works (Contributions)	0 6
5008. Marketing of Primary Products	0 6
5009. National Security (Emergency Powers) Continuation	0 6
5010. Outer Circle Railway (Partial Dismantling)	0 6
5011. Mines (Minerals)	0 6
5012. Goods (Textile Products)	0 6
5013. Masseurs	0 6
5014. Electoral (War Service Deaths)	0 6
5015. Cremorne Bridge	0 6
5016. Melbourne Harbor Trust	0 6
5017. Water	0 9
5018. Consolidated Revenue	0 6
5019. Mildura Irrigation and Water Trusts	0 6
5020. Farm Water Supplies Advances	0 6
5021. Sewerage Districts	0 6
5022. Trustee Companies	0 6
5023. Mildura Irrigation and Water Trusts (Superannuation)	0 6
5024. Consolidated Revenue	0 6
5025. Cemeteries	0 6
5026. Border Railways	0 6
5027. Local Government (Shire of Blackburn and Mitcham)	0 6
5028. Electoral Districts	0 6
5029. Land	0 6
5030. Land Tax	0 6
5031. Administration and Probate Duties	0 6
5032. Stock, Foods (Amendment)	0 6
5033. Stamps (Increased Duty Continuance)	0 6
5034. Maribyrnong and Ashburton Lands Exchange	0 6
5035. Financial Emergency (Grants and Funds)	0 6
5036. Farmers Advances	0 6
5037. Land Settlement (Acquisition) Amendment	0 6
5038. Railways	0 6
5039. Farmers Protection. (Amendment)	0 6
5040. Country Fire Authority	1 9
5041. Country Roads Board Fund	0 6
5042. Railway Loan and Application	0 6
5043. Town and Country Planning	1 0
5044. Agricultural Colleges	0 9
5045. Heatherton Sanatorium	0 6
5046. Health (Infectious Diseases Hospitals)	0 6
5047. Surplus Revenue	0 6
5048. Water Supply Loans Application	0 9
5049. State Forests Loan and Application	0 6
5050. Public Works Loan and Application	0 6
5051. Commonwealth and States Financial Agreement	1 3
5052. The Constitution Act Amendment	0 6
5053. Public Library National Gallery and Museums	0 9
5054. Drought Relief	0 6
5055. Co-operative Housing Societies	1 6
5056. Local Government	1 0
5057. Melbourne and Metropolitan Board of Works	0 9
5058. Appropriation of Revenue	3 9

J. J. GOURLEY,
Government Printer.

STATE ACTS, 1945.

COPIES of the following Acts of Parliament of Victoria may be obtained at the Government Printing Office, or from any bookseller, at the price set opposite to each:—

No.	Price.	
	s.	d.
5059. Mildura Irrigation and Water Trusts (Borrowing)	0	6
5060. Supreme Court (Judges)	0	6
5061. Oakleigh (Regent-street) Land	0	6
5062. Swine	0	6
5063. Drought Relief (Amendment)	0	6
5064. Unclaimed Moneys	0	6
5065. Consolidated Revenue	0	6
5066. Consolidated Revenue	0	6
5067. Agent-General's	0	6
5068. Land Surveyors (Amendment)	0	6
5069. State Development	0	6
5070. Melbourne and Metropolitan Board of Works (Borrowing Powers)	0	6
5071. Education	0	6
5072. Water	0	6
5073. National Security (Repeal)	0	6
5074. Moorabbin (Unimproved Rating Poll)	0	6
5075. Licensing (Poll)	0	6
5076. Lilydale Waterworks Trust Abolition	0	6
5077. East Melbourne Land	0	6
5078. Health (Wines)	0	6
5079. Local Government (Emergency Housing Accommodation)	0	6
5080. Law Institute	0	6
5081. Bendigo Land	0	6
5082. Consolidated Revenue	0	6
5083. Consolidated Revenue	0	6
5084. Consolidated Revenue	0	6
5085. Factories and Shops (Bread Holidays)	0	6
5086. Administration and Probate Duties	0	6
5087. Land Tax	0	6
5088. Stamps (Increased Duty Continuance)	0	6
5089. Licensing Fund	0	6
5090. Employers and Employés	0	6
5091. Farmers Advances	0	6
5092. University (Veterinary Research)	0	6
5093. Surplus Revenue	0	6
5094. State Forests Loan and Application	0	6
5095. Mines (Amendment)	0	6
5096. Farmers Protection (Amendment)	0	6
5097. Railway Loan Application	0	6
5098. Public Works Loan and Application	0	6
5099. Water Supply Loans Application	0	9
5100. Public Account Advances (Amendment)	0	6
5101. Hospital Benefits	0	6
5102. Totalizator (Amendment)	0	6
5103. Financial Emergency (Municipal Endowment)	0	6
5104. Country Roads Board Fund (Amendment)	0	6
5105. Coal Mines Regulation (Amendment)	0	6
5106. Melbourne and Metropolitan Tramways (Chairman)	0	6
5107. Soldier Settlement	1	3
5108. Appropriation of Revenue	4	0

J. J. GOURLEY,
Government Printer.

STATE ACTS, 1946.

COPIES of the following Acts of Parliament of Victoria may be obtained at the Government Printing Office, or from any bookseller, at the price set opposite to each:—

No.	Price.	
	s.	d.
5109. Geelong Land	0	6
5110. Transport Regulation (Amendment)	0	6
5111. Factories and Shops (Annual Holidays)	0	9
5112. Mornington Sewerage Authority (Validation)	0	6
5113. Local Government (Emergency Housing Accommodation) Amendment	0	6
5114. Housing (Commonwealth and State Agreement)	1	0
5115. Factories and Shops (Early Closing)	0	6
5116. Building Operations and Building Materials Control	0	9
5117. Water (Levee Banks)	0	3
5118. Co-operative Housing Societies	0	6
5119. Local Government (Municipal Rolls)	0	6
5120. Public Works Loan and Application	0	6
5121. Totalizator (Charities)	0	6
5122. Drought Relief	0	6
5123. Taxation (Arrangements)	0	6
5124. Public Service	1	6
5125. Teaching Service	1	3
5126. Police Regulation	1	0
5127. Railways (Long Service)	0	6
5128. Workers' Compensation	1	6
5129. Sewerage Districts (Amendment)	0	6
5130. Factories and Shops (Bread)	0	6
5131. Crimes (Indeterminate Sentences)	0	6
5132. Medical (Chemists' Apprentices)	0	6
5133. Soldier Settlement (Amendment)	0	6
5134. Consolidated Revenue	0	6
5135. Consolidated Revenue	0	6
5136. Apprenticeship	0	6

J. J. GOURLEY,
Government Printer.

AGENTS FOR THE "VICTORIA GOVERNMENT GAZETTE."

THE following have been appointed agents to receive Advertisements and subscriptions for the *Victoria Government Gazette*:—

ARMSTRONG'S AGENCY, 143 Queen-street, Melbourne.

MESSRS. ARNALL & JACKSON, 115 Barkly-street, West Brunswick.

MESSRS. GORDON & GOTCH, News Agents, 511 Little Collins-street, Melbourne; and corner Barrack and Clarence streets, Sydney.

MESSRS. HARSTON, PARTRIDGE, & CO., 455 Little Collins-street, Melbourne.

N. V. NIXON & CO., 20 Queen-street, Melbourne.

THE PATON ADVERTISING SERVICE PTY. LTD.

ROBERTSON & MULLENS LTD., Elizabeth-street, Melbourne.

MESSRS. W. H. WADDELL and A. S. RICHARDSON, trading as The Mercantile Exchange, 380 Collins-street, Melbourne.

MR. A. J. DIGBY, News Agent, Bairnsdale.

MR. M. R. BADE, Tobacconist, Sturt-street, Ballarat.

TRIGG'S NEWS AGENCY, Hargreaves-street, Bendigo.

MR. G. H. K. PAYNE, 4 View Point, Bendigo.

MR. G. F. LATIMER, News Agent, Casterton.

MESSRS. HENRY FRANKS & CO., Booksellers and Stationers, Market-square, Geelong.

MESSRS. SMITH & DUNNON, Hamilton.

ARMSTRONG BROS., Kyneton.

MR. WM. DAVIS, Mildura.

PIKE'S AUTHORIZED NEWS AGENCY, Sale.

MR. C. T. RUST, News Agent, Wangaratta.

MR. F. T. McCORMICK, Nunn-street, Benalla.

F. R. & E. M. COOKE, Bridge-street, Benalla.

W. GORDON HAMPTON, 243 Mitchell-street, Bendigo.

R. & A. SMALLMAN, News Agents, Toora.

A copy of the Gazette filed at each place for public reference.

Single copies of the VICTORIA GOVERNMENT GAZETTE are Six pence, posted Eight pence, each.

No GAZETTES prior to January, 1936, in stock.

*** ALL PAYMENTS ARE REQUIRED IN ADVANCE.—Remittances should be made by postal note, money order, or draft in favour of the Government Printer. Advertisements unaccompanied by a remittance sufficient to cover the cost of insertion will be returned unpublished.

THE "VICTORIA GOVERNMENT GAZETTE."

SUBSCRIPTIONS.—The subscription, including Postage, is £1 12s. 6d. per annum, 16s. 3d. half-yearly, or 8s. 2d. per quarter, payable in advance.

Subscriptions are required to commence and terminate with a month.

A lesser period than three months cannot be subscribed for.

Subscribers do not receive the Acts of Parliament with the GAZETTE.

ADVERTISEMENTS are charged at the rate of EIGHT PENCE per line single column, and ONE SHILLING and FOUR PENCE per line double column.

The title (£5 Reward, Dissolution of Partnership, &c.) forms one or more lines as a heading.

On an average, ten words make a line.

Every signature must likewise be counted as a line.

The final words of a paragraph, though only portion of a line, must be counted as one line.

SIGNATURES (in particular) and proper names must be written very plainly in the text; ONE SIDE ONLY of each slip of paper should be WRITTEN UPON.

ALL COMMUNICATIONS should be addressed to "The Government Printer, Melbourne."

ALL DOCUMENTS illegibly written will be returned unpublished, and, where brands occur unprovided for by the ordinary letters of the alphabet, a worded explanatory description must be furnished.

THE VICTORIA GOVERNMENT GAZETTE is published on WEDNESDAY EVENING in each week, and Notices for insertion will be received by the Government Printer at or before TWO p.m., at ordinary rates, and late advertisements between TWO p.m. and FIVE p.m. at double rates on the day preceding the day of publication.

CONTENTS

	PAGE
Acts of Parliament on sale at the Government Printing Office	2699
Appointments	2664
Auction Sales Act	2671
Business Agents Act 1930—Supplementary List	2669
Companies Act 1938—Notice	2673
Contracts	2676
Estates of Deceased Persons	2675
Government Notices	2667
Impoundings	2699
Lands	2683
Licences to Occupy Unused Roads	2671
Licences to Occupy Water Frontages	2672
Melbourne and Metropolitan Board of Works—Notices	2674
Mining	2667, 2698
Money Lenders Act 1938—Supplementary List	2672
Orders in Council	2677
Private Advertisements	2692
Proclamations	2663
Public Holidays	2664
Public Service Notices	2665
Real Estate Agents Act—Supplementary List	2670
Resignations	2665
Stay Orders	2675
Tenders	2687
Transport Regulation Board—Public Hearings	2668
Waterworks Trusts	2674



VICTORIA
GOVERNMENT GAZETTE.

Published by Authority.

[Registered at the General Post Office, Melbourne, for transmission by post as a newspaper.]

No. 171]

THURSDAY, AUGUST 29.

[1946

WORKERS COMPENSATION ACT 1946 (No. 5128).

DATE OF OPERATION.

PROCLAMATION

By His Excellency the Lieutenant-Governor of the State of Victoria and its Dependencies in the Commonwealth of Australia, &c., &c., &c.

WHEREAS by an Act of Parliament of the State of Victoria passed in the tenth year of the reign of His Majesty King George VI. intituled the *Workers Compensation Act 1946* it is amongst other things enacted by sub-section (2) of section 1 thereof that the said Act shall come into operation on a day to be fixed by Proclamation of the Governor in Council and published in the *Government Gazette*:

Now therefore I, the Lieutenant-Governor of the State of Victoria in the Commonwealth of Australia, by and with the advice of the Executive Council of the said State, do by this my Proclamation fix the first day of September, 1946, as the day upon which the *Workers Compensation Act 1946* shall come into operation.

Given under my Hand and the Seal of the State of Victoria aforesaid, at Melbourne, this twenty-ninth day of August, in the year of our Lord One thousand nine hundred and forty-six, and in the tenth year of the reign of His Majesty King George VI.

(L.S.) E. F. HERRING.

By His Excellency's Command,

W. SLATER,
Chief Secretary.

GOD SAVE THE KING!





VICTORIA GOVERNMENT GAZETTE.

Published by Authority.

[Registered at the General Post Office, Melbourne, for transmission by post as a newspaper.]

No. 172]

THURSDAY, AUGUST 29

[1946

Factories and Shops Acts.

DETERMINATION OF THE ENGRAVERS BOARD.

NOTE.—(1) This Determination applies to the whole of the State of Victoria.

(2) The Engravers Board when first constituted had power to fix rates for any person or persons, or classes of persons, employed in the process, trade, or business of a process engraver. This power was taken away by Order in Council dated 26th August, 1913.

(3) On the 2nd October, 1917, the powers of the Engravers Board were extended to enable it to fix the lowest prices or rates which may be paid to any persons employed in the process, trade, business, or occupation of making (but not enamelling) metal badges.

IN accordance with the provisions of the Factories and Shops Acts, the Wages Board appointed to "determine the lowest prices or rates which may be paid to any person or persons or classes of persons employed in the process, trade, or business of an engraver or die-sinker," has made the following Determination, namely:—

1. That as from the beginning of the first pay period to commence in August, 1946, the last previous Determination of this Board shall be revoked and replaced by this Determination.

2.

Apprentices or Improvers.							PROPORTION (IN ANY PLACE).		
WAGES PER WEEK OF 44 HOURS.							<i>Apprentices.</i>		
Apprentices.				Improvers.			One apprentice to every three or fraction of three workers receiving not less than 101s. per week.		
—	Weekly Rate.	War Loading.	Total Weekly Wage.	Weekly Rate.	War Loading.	Total Weekly Wage.	An indenture of apprenticeship proscribed was approved on 13th March, 1914.		
—	<i>s. d.</i>	<i>s. d.</i>	<i>s. d.</i>	<i>s. d.</i>	<i>s. d.</i>	<i>s. d.</i>	<i>Improvers.</i>		
1st year's experience	14 3	0 6	14 9	24 9	0 9	25 6	One improver to every four workers receiving not less than 125s. per week.		
2nd " "	20 6	0 9	21 3	31 0	1 0	32 0			
3rd " "	31 6	1 0	32 6	37 3	1 3	38 6			
4th " "	40 9	1 3	42 0	43 9	1 6	45 3			
5th " "	48 0	1 6	49 6	56 3	1 9	58 0			
6th " "	69 6	2 3	71 9	69 0	2 3	71 3			
and thereafter the minimum wage.									
WAGES PER WEEK OF 44 HOURS.							Other Employees.		
WAGES PER WEEK OF 44 HOURS.							WAGES PER WEEK OF 44 HOURS.		
—	Weekly Rate.	War Loading.	Total Weekly Wage.	—	Weekly Rate.	War Loading.	Total Weekly Wage.		
—	<i>s. d.</i>	<i>s. d.</i>	<i>s. d.</i>	—	<i>£ s. d.</i>	<i>s. d.</i>	<i>£ s. d.</i>		
1st year	21 6	0 9	22 3	Die-sinkers by hand ..	6 12 0	6 0	6 18 0		
2nd "	25 9	0 9	26 6	Engravers by hand ..	6 1 0	4 0	6 5 0		
3rd "	31 6	1 0	32 6	Engravers, copper plate ..	6 1 0	4 0	6 5 0		
4th "	42 3	1 6	43 9	Steel stamp cutters ..	6 5 6	4 0	6 9 6		
5th "	52 6	1 9	54 3	Pantagraph operators ..	5 12 0	3 0	5 15 0		
6th "	63 9	2 0	65 9	Badge tool-makers ..	5 8 0	3 0	5 11 0		
				Stencil plate cutters ..	5 2 0	3 0	5 5 0		
				All others	4 19 0	2 0	5 1 0		

TIME OF BEGINNING AND ENDING WORK.

	Time of Beginning.	Time of Ending.
3. On the day on which the half-holiday is usually observed	7.45 a.m.	12.30 p.m.
On the other working days of the week	7.45 a.m.	6 p.m.

OVERTIME.

4. (a) Outside the hours fixed in clause 3—	
(i) Between 10 p.m. and midnight	Time and three-quarters.
(ii) Between midnight and 6.30 a.m.	Double time.
(iii) Any other time outside the times of beginning and ending work	Time and a half.
(b) Within the hours fixed in clause 3 in excess of 44 hours in any week	Time and a half.

HOLIDAYS AND SUNDAY WORK.

5. Employees shall be entitled to the following public holidays without deduction of pay :—New Year's Day, Australia Day, Good Friday, Easter Saturday, Easter Monday, King's Birthday, Labour Day, Anzac Day, Christmas Day, and Boxing Day, or such other day as is generally observed in the locality as a substitute for any of the said days respectively.

In any year prior to King's Birthday where a majority of the employees in any establishment so decides, Melbourne Cup Day may be substituted for King's Birthday.

Work done on Sunday or on any of the above-mentioned holidays shall be paid for at the rate of double time.

EMPLOYMENT FOR LESS THAN FULL WEEK.

6. Subject to clause 5 persons who are employed for less than 44 hours during any week shall be paid not less than the ordinary wages rate calculated *pro rata* according to the number of hours worked.

SICK LEAVE.

7. (a) An employee on weekly hiring who is absent from his work on account of personal illness, or on account of injury by accident arising out of and in the course of his employment, shall be entitled to leave of absence without deduction of pay, subject to the following conditions and limitations :—

- (i) He shall not be entitled to paid leave of absence for any period in respect of which he is entitled to workers' compensation.
- (ii) He shall, within 24 hours of the commencement of such absence, inform the employer of his inability to attend for duty and, as far as practicable, state the nature of the injury or illness and the estimated duration of the absence.
- (iii) He shall prove to the satisfaction of his employer (or in the event of dispute the Wages Board) that he was unable on account of such illness or injury to attend for duty on the day or days for which sick leave is claimed.
- (iv) He shall not be entitled in any year (whether in the employ of one employer or of several) to leave in excess of 44 hours of working time.

For the purpose of administering paragraph (iv) of this sub-clause an employer may, within one month of this Determination coming into operation or within two weeks of the employee entering his employment, require an employee to make a sworn declaration or other written statement as to what paid leave of absence he has had from any employer during the then current year: and upon such statement the employer shall be entitled to rely and act.

Single Day Absences.

(b) In the case of an employee who claims to be allowed paid sick leave in accordance with this clause for an absence of one day only such employee if in the year he has already been allowed paid sick leave on more than one occasion for one day only, shall not be entitled to payment for the day claimed unless he produces to the employer a certificate of a duly-qualified medical practitioner that in his, the medical practitioner's, opinion, the employee was unable to attend for duty on account of personal illness or on account of injury by accident. Nothing in this sub-clause shall limit the employer's rights under sub-clause (a) (iii) hereof.

Cumulative Sick Leave.

(c) Sick leave shall accumulate from year to year so that any balance of the period specified in sub-clause (a) (iv) of this clause which has in any year not been allowed to an employee by an employer as paid sick leave may be claimed by the employee and subject to the conditions hereinbefore prescribed shall be allowed by that employer in a subsequent year without diminution of the sick leave prescribed in respect of that year. Provided that sick leave which accumulates pursuant to this sub-clause shall be available to the employee for a period of two years, but for no longer from the end of the year in which it accrues.

Attendance at Hospital, &c.

(d) Notwithstanding anything contained in sub-clause (a) hereof an employee suffering injury through an accident arising out of and in the course of his employment (not being an injury in respect of which he is entitled to workers' compensation) necessitating his attendance during working hours on a doctor, chemist or trained nurse, or at a hospital, shall not suffer any deduction from his pay for the time (not exceeding four hours) so occupied on the day of the accident, and shall be reimbursed by the employer all expenses reasonably incurred in connexion with such attendance.

ANNUAL HOLIDAY.

8. The annual holiday shall be as prescribed by the provisions of the *Factories and Shops (Annual Holidays) Act 1946* and any amendments which may be made thereto from time to time.

DEFINITION.

9. "Year" means the period between the 1st day of June in each year and the next 31st day of May.

PERIODICAL ADJUSTMENT OF WAGES.

10. The wages rates set out in clause 2 are based upon the following basic wage, and pursuant to and in accordance with the provisions of section 21 of the *Factories and Shops Act 1934*, this Board hereby determines that such rates shall be automatically increased or decreased by the same amount, and at the same time as such basic wage. Provided that the wages of apprentices, improvers, and juveniles shall be adjusted proportionately to adjustments of the basic wage, such adjustments to be to the nearest 3d., half or less than half of 3d. to be disregarded.

The basic wage shown hereunder shall be adjusted as prescribed in clause 11.

Basic Wage.

Place.	Needs Basic Wage (Adjustable).	Loading (Constant).	Total Basic Wage.	Index Number Set Assigned.
	£ s. d.	s. d.	£ s. d.	
Throughout the State	4 13 0	6 0	4 19 0	Melbourne

ADJUSTMENT OF BASIC WAGE.

11. (a) Until the beginning of the first pay period to commence in November, 1946, the amount of the basic wage shall be as prescribed in clause 10.

(b) During each future successive period beginning with the first pay period to commence in a November, a February, a May, or an August, the amount of the basic wage shall be adjusted by the following method according to the position and fluctuations (if any) of the Commonwealth Statistician's "All Items" retail price index numbers.

For the purposes of this Determination the expression "Commonwealth Statistician's retail price index numbers" or any like expression means the numbers stated to be such index numbers in any document purporting, and not proved to be wrongly so purporting, to be printed by the Commonwealth Government Printer or to be signed by or on behalf of the Commonwealth Statistician:—

- (1) The index number set to be applied is that assigned to Melbourne.
- (2) The index number for the calendar quarter next preceding the period of or near a quarter for which the adjustment is made is to be ascertained.
- (3) The amount assigned in the following table (or in any extension thereof) to the index number division comprising that number is to be ascertained.
- (4) The basic wage shall be of that assigned amount during such successive period.

Table.

Index Number Divisions.	Basic Wage.	Index Number Divisions.	Basic Wage.
	£ s. d.		£ s. d.
994-1006	4 1 0	1118-1129	4 11 0
1007-1018	4 2 0	1130-1141	4 12 0
1019-1030	4 3 0	1142-1154	4 13 0
1031-1043	4 4 0	1155-1166	4 14 0
1044-1055	4 5 0	1167-1179	4 15 0
1056-1067	4 6 0	1180-1191	4 16 0
1068-1080	4 7 0	1192-1203	4 17 0
1081-1092	4 8 0	1204-1216	4 18 0
1093-1104	4 9 0	1217-1228	4 19 0
1105-1117	4 10 0	1229-1240	5 0 0

Any extension of this table must be of the same construction as the table.

A. V. BARNS, J.P., Chairman.

J. V. WILLOX, Acting Secretary.

Melbourne, 24th July, 1946.

100

100