

[3070]



# VICTORIA GOVERNMENT GAZETTE.

Published by Authority.

[Registered at the General Post Office, Melbourne, for transmission by post as a newspaper.]

No. 184.]

MONDAY, SEPTEMBER 30.

[1946

No.	Number of Tenders.	Particulars of Contract.	Country of Manufacture or Production.	Amount.	Name of Contractor.
40	..	Railways Stores Suspense Account, Act 3759, Section 105 - Supply and delivery of General Stores as ordered, during the period 1st July, 1946, to 30th June, 1948.	As per annex ..	Rates as per annex	As per annex

Melbourne, 28th August, 1946.

## Schedule of Rates Contracts

FOR THE

# SUPPLY OF STORES

TO THE

## VICTORIAN RAILWAYS.

PERIOD—

**1.7.1946 to 30.6.1948.**

E. C. EYERS,

By Order of the Victorian Railways Commissioners.

## SUPPLY AND DELIVERY OF STORES.

As ordered, from 1.7.1946 to 30.6.1948.

---

\* Indicates that the stores shall be supplied to sample exhibited by the Corporation.

† Indicates that the stores shall be supplied to sample furnished by the Contractor.

§ Indicates that the rate is subject to fluctuation as shown.

‡ Indicates that the rate is subject to discount as shown.

‡ Indicates that the rate is subject to the extras shown.

All rates are exclusive of Sales Tax.

**BEARING AND CYLINDER OILS FOR ROLLING STOCK, ETC.**

(Schedule No. 180)

(1st July, 1946, to 30th June, 1948)

Item No.	Description	Country of Manufre	Estimated Requirements	Rate per	Rate			Name of Contractor
					£	s.	d.	
†6000	Oil, bearing, axle, black, to specification, in 40/45 gallon drums, "B-817"	U.S.A. & Vict.	20,000 gals.	gal.	0	2	9½	} Vacuum Oil Co. Pty. Ltd.
†6001	Oil, bearing, axle, red, heavy, to specification, in 40/45 gallon drums, "P-982"	"	25,000 "	"	0	3	3¾	
†6002	Oil, bearing, axle, red, light, to specification, in 40/45 gallon drums, "Socony L-9"	"	200,000 "	"	0	2	7¾	
†6004	Oil, cylinder, locomotive, superheater steam, to specification, in 40/45 gallon drums— "Leader" ... ..	U.S.A. & Vict.	35,000 "	gal.	0	4	5¼	Caltex Ltd.
†6004A	"600-W" (for S.R. & W.S. Comm.)	"	2,000 "	"	0	5	11	} Vacuum Oil Co. Pty. Ltd.
†6005	Oil, cylinder, for Westinghouse brake cylinders and triple valves, to specification, in 40/45 gallon drums, "Socony T.N."	"	1,200 "	"	0	4	7¾	
6006-6008	—Nil							

**BEARING OIL FOR LOCOMOTIVES**

(Schedule No. 181)

(1st July, 1946, to 30th June, 1948)

Item No.	Description	Country of Manufre	Estimated Requirements	Rate per	Rate			Name of Contractor
					£	s.	d.	
†6009	Oil, bearing, locomotive, to specification, in 44 gal. drums, "Shell O"	U.S.A. & Vict.	70,000 gallons	gal.	0	4	4¾	The Shell Co. of Aust. Ltd.

**GREASE, VARIOUS**

(Schedule No. 182)

(1st July, 1946, to 30th June, 1948)

Item No.	Description	Country of Manufre	Estimated Requirements	Rate per	Rate			Name of Contractor
					£	s.	d.	
†6010	Compound, lubricating, for use in the open gears of wheel lathes and other heavy machines, in 36-lb. tins or 45-lb. pails, "Caltex Crater No. 2"	U.S.A. & N.S.W.	20 cwt.	lb.	0	4	288	Caltex Ltd.
†6011	Grease, antifriction, to specification, in 36-lb. tins or 45-lb. pails, "Shell V.R."	U.S.A. & Vict.	60 "	cwt.	1	12	4	The Shell Co. of Aust. Ltd.
	Grease, cup, to specification—							
†6012	No. 2, in 5-lb. tins, "Atlantic" ...	"	10 "	lb.	0	6		} Atlantic Union Oil Co. Ltd.
†6013	No. 2, in 36-lb. tins or 45-lb. pails, "Atlantic" ...	"	5 "	"	0	4	5	
†6014	No. 2, in drums, "Atlantic" ...	"	90 "	"	0	3	625	

## GREASE, VARIOUS—continued.

Item No.	Description	Country of Manuf're	Estimated Requirements	Rate per	Rate	Name of Contractor
	Grease, cup, to specification—continued—					
† { 6015	No. 3, in 5-lb. tins, "Atlantic" ...	U.S.A. & Vict.	60 cwt.	lb.	s. d. 0 6·125	} Atlantic Union Oil Co. Ltd.
6016	No. 3, in 36-lb. tins or 45-lb pails, "Atlantic" ...	"	50 "	"	0 4·625	
6017	No. 3, in drums ...	"	Nil	"	"	
†6018	No. 5, in 5-lb. tins, "Shell Compound"	U.S.A. & Vict.	5 cwt.	lb.	s. d. 0 6·75	The Shell Co. of Aust. Ltd.
†6019	Grease, gear, to specification, in drums, "Gargoyle C.N."	"	500 "	"	0 2·875	Vacuum Oil Co. Pty. Ltd.
†6020	Grease, for track lubricators, to specification, in drums, "Caltex 904"	U.S.A. & N.S.W.	250 "	"	0 5·52	Caltex Ltd.
†6021	Lubricant, motor chassis, to specification—Light, in 36-lb. tins or 45-lb. pails, "Hi-pressure"	U.S.A. & Vict.	2800 lbs.	"	0 5·25	Atlantic Union Oil Co. Ltd.
† { 6022	Medium, in 5-lb. tins, "Mobilgrease, No. 5"	"	400 "	"	0 8·125	} Vacuum Oil Co. Pty. Ltd.
6023	Medium, in 36-lb. tins or 45-lb. pails, "Mobilgrease, No. 5"	"	-000 "	"	0 6·125	

## PETROLEUM JELLY

(Schedule No. 183.)

(1st July, 1946, to 30th June, 1948)

†6030	Petroleum Jelly, for use on accumulators and dynamo bearings, in 5-lb. tins, "Shell" amber	U.S.A.	960 lbs.	lb.	0 0 8 $\frac{2}{3}$	The Shell Co. of Aust. Ltd.
†6031	Petroleum Jelly, for use in signal boxes, in 36-lb. tins or 45-lb. pails, "Vacuum" amber	"	1 cwt.	"	0 0 6 $\frac{2}{3}$	Vacuum Oil Co. Pty. Ltd.
†6032	Petroleum Jelly, for tarpaulin dressing, and end coating of timber, to specification, in drums of 370/400-lbs., "Shell" dark green	"	150 "	"	0 0 4 $\frac{2}{3}$	The Shell Co. of Aust. Ltd.

## PARAFFIN WAX, ETC.

(Schedule No. 184)

(1st July, 1946, to 30th June, 1948)

†6040	Compound, wax graphite, to specification, in 5-lb. ingots, "Pantograph Lubricant AS."	Vict.	850 lbs.	lb.	0 1 1 $\frac{1}{2}$	Vacuum Oil Co. Pty. Ltd.
†6041	Copper Oleo—Stearate, "Spartan" ...	"	40 tons	ton	63 0 0	Hardie Trading Ltd.
†6042	Grease, graphite, to specification, in drums of approx. 400-lbs., "Gargoyle" No. 330	"	15 "	lb.	0 0 5 $\frac{1}{2}$	Vacuum Oil Co. Pty. Ltd.
†6043	Wax, (paraffin), for tarpaulin dressing, to specification, (see note)	India	60 "	cwt.	4 0 6	Gollin & Co. Pty. Ltd.

## PAINTS, VARIOUS

(Schedule No. 185).

(1st July, 1946, to 30th June, 1948).

Item No.	Description	Country of Manuf're	Estimated Requirements	Rate per	Rate			Name of Contractor
					£	s.	d.	
†6050	Paint, acid-resisting, for urinals, to specification, in 1-gallon tins— Black, "Taubmans" E 7881 ...	Vict.	15 gals.	gal.	0	8	0	Taubmans Pty. Ltd.
†6051	Red, "Goodlass" 9680 ...	"	30 "	"	0	15	6	Goodlass Wall & Co. Pty. Ltd.
†6052	Paint, aluminium, for exterior or interior work, to specification, in 1 pint tins	N.S.W.	300 "	"	1	6	0	British Paints (Aust.) Pty. Ltd.
†6053	Paint, anti-corrosive, bituminous, black, for overhead equipment, to specification, in 4-gallon tins or drums— "Glazebrooks" ...	Vict.	200 "	"	0	8	9	Glazebrooks (Aust.) Pty. Ltd.
†6053A	"Goodlass" 9850 ...	"		"	0	7	9	Goodlass Wall & Co. Pty. Ltd.
†6054	Paint, anti-corrosive compound, for structural steel work, to specification, in the Corporation's 4 or 5 gallon drums, "Ruskilla," (see note)	"	1250 "	"	0	4	8	Hobson's Bay Dock & Eng. Co. Pty. Ltd.
†6055	Paint, anti-corrosive, grey, for structural steel work and overhead equipment, to specification, in 4-gallon tins or drums, "Taubmans" J 7594	"	1000 "	"	0	14	0	Taubmans Pty. Ltd.
†6056	Thinners, summer, for use with anti-corrosive grey paint, to specification, in 4-gallon tins or drums, for use with item No. 6055, "Taubmans" E 7885	"	150 "	"	0	5	0	
†6057	Thinners, winter, for use with anti-corrosive grey paint, to specification, in 4-gallon tins or drums, for use with item No. 6055, "Taubmans" E 7886	"	300 "	"	0	5	0	
†6058	Paint, anti-fouling, to specification, in ½-cwt. drums, "International,"	N.S.W.	5 cwt.	cwt.	11	9	0	Hobson's Bay Dock & Eng. Co. Pty. Ltd.
†6059	Paint, bituminous, black, to specification, for dressing bituminous roofing felt, in 4-gallon tins or drums, "Taubmans" E 7880	Vict.	2000 gals.	gal.	0	10	2	Taubmans Pty. Ltd.
†6060	Paint, boiler compound, anti-corrosive, to specification, in 1-gallon tins, "Apexior"	N.S.W.	100 "	"	1	12	0	A. E. Supplies Pty. Ltd.
†6061	Paint, car cement, black, to specification, in 4-gallon tins or drums, "Taubmans" E 1456	Vict.	200 "	"	0	8	8	Taubmans Pty. Ltd.
†6062	Paint, cold water, any colour ordered, to specification, "Goodlass"— In paste form, in 14-lb. kegs, for exterior use	"	4 tons	cwt.	1	16	3	Goodlass Wall & Co. Pty. Ltd.
†6063	In powder form, in 5-lb. packets, for interior use	"	1000 pkts.	pkt.	0	1	5	
†6064	Paint, oil, finishing coat, high gloss, to specification, suitable for exterior wood-work— Blue, Traffic, Colour No. 69, in 1 gallon tins, "Super Service" J 8554	"	25 gals.	gal.	0	17	9	Taubmans Pty. Ltd.
† {	Brown, middle, Colour No. 11, "Spartan" 1185— In 4 or 5-gallon drums ...	"	1400 "	"	0	12	11	Hardie Trading Ltd.
	In 1-gallon tins ...							
† {	Buff, deep, Colour No. 60, "Spartan" 1183— In 4 or 5-gallon drums ...	"	600 "	"	0	13	5	
	In 1-gallon tins ...							

PAINTS, VARIOUS—continued.

Item No.	Description	Country of Manuf're	Estimated Requirements	Rate per	Rate £ s. d.	Name of Contractor		
	<b>Paint, oil, finishing coat, high gloss, to specification, suitable for exterior wood-work—continued—</b>							
	<b>Buff, light, Colour No. 58, "Spartan" 1182—</b>							
† { 6069	In 4 or 5-gallon drums ... ..	Vict.	} 3600 gals.	gal.	0 14 0	} Hardie Trading Ltd.		
6070	In 1-gallon tins ... ..	"		"	0 14 9			
† 6071	<b>Buff, middle, Colour No. 59, in 1 gallon tins, "Spartan" 1185</b>	"	100 "	"	0 14 9			
	<b>Cream, pale, Colour No. 52, "Spartan" 1188—</b>							
† { 6072	In 4 or 5-gallon drums ... ..	"	} 400 "	"	0 15 5		} Taubmans Pty. Ltd.	
6073	In 1-gallon tins ... ..	"		"	0 16 3			
† 6074	<b>Green, brilliant, Colour No. 21, in 1 gallon tins, "Super Service" J 8560</b>	"	20 "	"	1 1 0			
† 6075	<b>Green, Eau De Nil, for workmen's sleeping cars, in 1-gallon tins, Colour No. 16 "Tanox"</b>	"	200 "	"	1 0 1			Glazebrooks (Aust.) Pty. Ltd.
	<b>Grey, light battleship, Colour No. 31, "Spartan" 470037—</b>							
† { 6076	In 4 or 5-gallon drums ... ..	"	} 1100 "	"	0 16 3		} Hardie Trading Ltd.	
6077	In 1-gallon tins ... ..	"		"	0 17 0			
† 6078	<b>Signal-Red, in 1-gallon tins, Colour No. 37, "Super Service" J 8564</b>	"	160 "	"	1 5 0	Taubmans Pty. Ltd.		
	<b>White, "Spartan" 470636—</b>							
† { 6079	In 4 or 5-gallon drums ... ..	"	} 4000 "	"	0 14 5	} Hardie Trading Ltd.		
6080	In 1-gallon tins ... ..	"		"	0 15 2			
	<b>Paint, oil, undercoating, to specification—</b>							
	For <b>middle brown</b> paint under items Nos. 6065 and 6066, "Spartan" 4364—							
† { 6081	In 4 or 5-gallon drums ... ..	"	} 700 "	"	0 11 6		} Hardie Trading Ltd.	
6082	In 1-gallon tins ... ..	"		"	0 12 3			
	For <b>deep buff</b> paint, under items Nos. 6067 and 6068, "Spartan" 1179—							
† { 6083	In 4 or 5-gallon drums ... ..	"	} 600 "	"	0 13 9			} Hardie Trading Ltd.
6084	In 1-gallon tins ... ..	"		"	0 14 6			
	For <b>light buff</b> paint under items Nos. 6069 and 6070, "Spartan" 1177—							
† { 6085	In 4 or 5-gallon drums ... ..	"	} 3000 "	"	0 12 7	} Hardie Trading Ltd.		
6086	In 1-gallon tins ... ..	"		"	0 13 4			
† 6087	For <b>middle buff</b> paint under item No. 6071, in 1 gallon tins, "Spartan" 1178	"	100 "	"	0 14 0			
	For <b>pale cream</b> paint under items Nos. 6072 and 6073, "Spartan" 1181—							
† { 6088	In 4 or 5-gallon drums ... ..	"	} 400 "	"	0 12 0		} Glazebrooks (Aust.) Pty. Ltd.	
6089	In 1-gallon tins ... ..	"		"	0 12 9			
† 6090	<b>For green, eau de nil, under item No. 6075, in 1-gallon tins, "Tanox"</b>	"	300 "	"	0 12 11			
	For <b>light battleship grey</b> paint under items Nos. 6076 and 6077, "Spartan" 1176—							
† { 6091	In 4 or 5-gallon drums ... ..	"	} 500 "	"	0 12 0		} Hardie Trading Ltd.	
6092	In 1-gallon tins ... ..	"		"	0 12 9			

PAINTS, VARIOUS—continued.

Item No.	Description	Country of Manuf're	Estimated Requirements	Rate per	Rate £ s. d.	Name of Contractor
<b>Paint, oil, undercoating, to specification—continued—</b>						
For white paint under items Nos. 6079 and 6080, "Spartan" 66618—						
{ 6093	In 4 or 5 gallon drums ... ..	Vict.	} 4000 gals.	gal.	0 12 3	} Hardie Trading Ltd.
{ 6094	In 1 gallon tins ... ..	"		"	"	
†6095	Paint, oil, flat, any colour ordered, to specification, suitable for interior work, in 1 gallon tins, "Sterling" 0/2116	"	1300 "	"	†0 12 5	} Sterling Paint & Varnish Co. Pty. Ltd.
†6096	Paint, oil, undercoating, to specification, for any colour ordered under item No. 6095, in 1 gallon tins, "Sterling" 0/2115	"	1300 "	"	†0 12 4	
Paint, oil, marking, to specification, in 1 gallon tins—						
†6097	Blue ... ..	"	15 "	"	†1 0 6	Lewis Berger & Sons (Aust.) Pty. Ltd.
†6098	Red ... ..	"	15 "	"	...	Nil
†6099	White ... ..	Vict.	20 "	gal.	†0 16 0	} Lewis Berger & Sons (Aust.) Pty. Ltd.
†6100	Yellow, ... ..	"	20 "	"	†1 1 4	
†6101	Paint, oil, priming coat, to specification, in 1-gallon tins, "Spartan" 66910	"	450 "	"	0 13 10	Hardie Trading Ltd.
†6102	Paint, primer, for sealing cement sheets, to specification, in 1 gallon tins, "Goodlass"	"	20 "	"	0 14 0	Goodlass Wall & Co. Pty. Ltd.

† { Items Nos. 6095 and 6096—Less 2½%—30 days.  
 " " 6097, 6099 and 6100—Less 3% discount for payment within 14 days of date of receipt of invoice, or 2½%—30 days, i.e. 2½% discount for payment by end of month following month of delivery.

PAINTERS' SUNDRIES, ETC.

(Schedule No. 186)

(1st July, 1946, to 30th June, 1948)

†6136	Plaster of Paris, in bags of 1-cwt. net, "Victor"	Vict.	60 cwt.	cwt.	0 7 0	} W. & G. Dean Pty. Ltd.
†6137	Wood, plastic, in 1-lb. tins, "Spartan" K 21564	"	250 lbs.	lb.	0 2 5	
†6138	Fluid, softening, for plastic wood, in 1-pint tins, "Spartan" 249	"	10 pts.	pint	0 2 0	
Wool, steel—						
{ 6139	No. 0 ... ..	N.S.W.	600 lbs.	lb.	†0 1 1½	} Bly's Industries Pty. Ltd.
{ 6140	No. 1 ... ..	"	2000 "	"	†0 1 1½	
{ 6141	No. 3 ... ..	"	600 "	"	†0 1 0	
6142-6159	—Nil					

† Less 1½% discount for payment within 14 days of date of receipt of material at Newport.

## BROOMS, BRUSHES, ETC.

(Schedule No. 187)

(1st July, 1946, to 30th June, 1948.)

Item No.	Description	Country of Manuf're	Estimated Requirements	Rate per	Rate			Name of Contractor
					£	s.	d.	
<b>Brooms—</b>								
†6160	Bass, 13", bored for No. 2 "Gyton's" holder	Vic.	2500	each	0	5	0	Excelsior Broom & Brush Co.
†6161	Bass, 15", bored for No. 2 "Gyton's" holder	"	200	"	0	5	3	
†6162	Bassine, 12", copper wire drawn ...	"	350	"	0	2	8	} Penal & Gaols Dept.
†6163	Bassine, 24", bored for No. 2 "Gyton's" holder	"	300	"	0	5	2	
†6164	Fibre, 13", bored for No. 3 "Gyton's" holder	"	4000	"	0	4	3	} Excelsior Broom & Brush Co.
†6165	Hair, 12", with $\frac{7}{8}$ " staff hole ...	"	100	"	0	4	3	
†6166	Hair and Cocoa fibre, 24", bored for No. 2 "Gyton's" holder	"	700	"	0	9	2	Penal & Gaols Dept.
†6167	Cocoa Fibre, 24", bored for No. 2 "Gyton's" holder	"	700	"	0	7	6	} Excelsior Broom & Brush Co.
†6168	Millet and Cane ...	"	2000	"	0	3	1 $\frac{1}{2}$	
<b>Brushes—</b>								
†6169	Banister, bassine, 15" overall ...	"	50	"	0	2	9	} Excelsior Broom & Brush Co.
†6170	Banister, fibre and bassine centre, 17" overall	"	4800	"	0	4	2	
†6171	Banister, cocoa fibre, 12" overall ...	"	100	"	0	2	6	} Gibaud & Son Pty. Ltd.
†6172	Banister, wing, horsehair, 14" overall ...	"	100	"	0	5	8	
†6173	Bottle, twisted wire handle ...	"	100	"	0	0	4	Penal & Gaols Dept.
†6178A	Fitches, 50/50 (bristle and horsehair), tin-bound, flat— $\frac{3}{16}$ " wide x $\frac{5}{16}$ " thick ...	Vict.	75	each	0	1	6	} Gibaud & Son Pty. Ltd.
†6179A	$\frac{7}{8}$ " " x $\frac{3}{8}$ " " ...	"	Nil	"	"	"	"	
†6180A	1" " x $\frac{1}{2}$ " " ...	Vict.	500	each	0	2	4	Gibaud & Son Pty. Ltd.
†6178B	Fitches, horsehair, tin-bound, flat— $\frac{3}{16}$ " wide x $\frac{5}{16}$ " thick ...	"	120	"	0	1	3	} Gibaud & Son Pty. Ltd.
†6179B	$\frac{7}{8}$ " " x $\frac{3}{8}$ " " ...	"	Nil	"	"	"	"	
†6180B	1" " x $\frac{1}{2}$ " " ...	Vict.	200	each	0	2	3	Gibaud & Son Pty. Ltd.
†6181	Flue, twisted wire handle ...	"	100	"	0	0	7	Penal & Gaols Dept.
†6184	Painters' 8/0, bristle ...	"	Nil	"	"	"	"	
†6185	Pan ...	Vict.	175	each	0	1	6	Gibaud & Son Pty. Ltd.
<b>Sash Tools, 50/50 (bristle and horsehair)—</b>								
†6188A	No. 1 ...	Vict.	100	each	0	1	9	} Gibaud & Son Pty. Ltd.
†6189A	No. 4 ...	"	120	"	0	3	0	
†6190A	No. 5 ...	"	120	"	0	3	9	
†6191A	No. 6 ...	"	200	"	0	4	6	
†6192A	No. 8 ...	"	250	"	0	7	6	
†6193A	No. 12 ...	"	50	"	0	11	0	



BROOMS, BRUSHES, ETC.—continued.

Item No.	Description	Country of Manuf're	Estimated Requirements	Rate per	Rate £ s. d.	Name of Contractor
<b>Brushes—continued—</b>						
†6188B	Sash Tools, horsehair— No. 1 (string bound) ...	South Aust.	150	each	†0 0 6½	} S.A. Brush Co. Ltd.
†6189B	No. 4 „ „ ...	„	50	„	†0 0 11¼	
†6190B	No. 5 (string bound) ...	South Aust.	100	„	†0 1 1¾	} S.A. Brush Co. Ltd.
†6191B	No. 6 „ „ ...	„	120	„	†0 1 5½	
†6192B	No. 8 „ „ ...	„	150	„	†0 2 0¾	
†6193B	No. 12 „ „ ...	„	50	„	†0 3 1¾	
†6196	Scrubbing, hand, single wing, “No. 3”	South Aust.	2500	each	†0 0 11½	} S.A. Brush Co. Ltd.
†6197	Sewer, No. 2 sanitary ...	„	500	„	†0 2 4	
†6200	Stencil, 1½”, horsehair, round	South Aust.	75	each	†0 1 10¾	S.A. Brush Co. Ltd.
†6201	Tar, handled ...	Vict.	200	„	0 2 7	Penal & Gaols Dept.
†6205	Varnish, black bristle, bevelled edge— 3” „ x ¾” thick, ¾” bristle out of ferrule	Vict.	200	each	0 15 0	} Gibaud & Son Pty. Ltd.
†6203A	Varnish, 50/50 (bristle and horsehair), bevelled edge— 1” wide x ⅞” thick. ...	„	300	„	0 2 0	
†6204A	2” „ x ¾” „ ...	„	650	„	0 4 6	
†6205A	3” „ x ¾” „ ...	„	800	„	0 11 6	
†6206	Varnish, horsehair— Wall, 3”, bristle ...	Vict.	300	each	0 16 0	} Gibaud & Son Pty. Ltd.
†6206A	„ „ 50/50 (bristle and horsehair)	„	1050	„	0 13 6	
†6208	Weatherboard, 4”, bristle, ¾” bristle out of ferrule	Vict.	300	each	1 4 0	Gibaud & Son Pty. Ltd.
†6209	Whisks, hand, standard ...	Vict.	2200	doz.	†0 12 0	} Aust. Broom Co. Pty. Ltd.
†6210	Whisks, hand, with 15” handles	„	36	„	†0 13 0	
†6211	Steel wire— Blacksmiths', large ...	„	200	each	0 7 10	} S. A. Benwell
†6212	Blacksmiths', round, handled	„	50	„	0 4 4	
†6213	Boiler Tube, 1¾” diameter	„	250	„	0 2 4	
†6214	Boiler Tube, 2” „	„	25	„	0 2 5	
†6215	Moulders'	„	Nil	„	„	„
†6216	Oxy-Welders', flat ...	Vict.	450	each	0 6 0	} S. A. Benwell
†6217	Spark Arrester, flat, with 48” handles	„	800	„	0 4 3	
†6218	Dusters, feather— No. 5 ...	„	120	„	0 3 0	} Excelsior Broom & Brush Co.
†6219	No. 46 ...	„	1400	„	0 5 0	
†6222	Mops, cotton, spiked, (heads only), 16-oz. “No. 200”	Vict.	600 doz.	dozen	1 5 0	Downs & Son Pty. Ltd.

† { Items Nos. 6188B to 6200—Less 3¼% discount for payment within 7 days of date of receipt of invoice, or 2½% for payment by end of month following month of delivery. (See note)  
 Items Nos. 6209 and 6210—Less 3¼% discount for payment within 7 days of receipt of invoice, or 2½% for payment by end of month following month of delivery.

## GLASS.

(Schedule No. 188)

(1st July, 1946, to 30th June, 1948)

Item No.	Description	Country of Manuf're	Estimated Requirements	Rate per	Rate £ s. d.	Name of Contractor	
	Glass, to specification—						
6231	Arctic, white ... ..	N.S.W.	100 sq. ft.	sq. ft.	†0 1 1	Melbourne Glass Bevelling & Silver- ing Co. Pty. Ltd.	
6232	Arctic, coloured ... ..	"	50 "	"	†0 1 7		
6233	Euston, white ... ..	"	100 "	"	†0 1 1		
6234	Flemish, white, large or small figure, as ordered	"	1500 "	"	†0 1 1		
6235	Flemish, colours other than white, as ordered, small figure	"	80 "	"	†0 1 7		
6236	Glacier, white ... ..	"	1000 "	"	†0 1 1		
	<b>Plate, clear, polished, level, free from blemishes—</b>						
	$\frac{1}{8}$ " thick—						
6238	Up to 1 square foot ...	U.K.	10 "	"	†0 3 1	T. S. Gill & Son. Ltd. Brooks Robinson Pty. Ltd.	
6238A	Over 1 up to 2 square feet	"	10 "	"	†0 4 0		
6238B	" 2 " 3 "	"	15 "	"	†0 4 4		
6238C	" 3 " 5 "	"	10 "	"	†0 4 9		
6238D	" 5 " 10 "	"	30 "	"	†0 5 4		
6238E	" 10 " 20 "	"	20 "	"	†0 5 7		
	$\frac{3}{16}$ " thick—						
6239	Up to 1 square foot ...	"	500 "	"	†0 2 10		
6239A	Over 1 up to 2 square feet	"	1000 "	"	†0 3 9		
6239B	" 2 " 3 "	"	200 "	"	†0 4 1		
6239C	" 3 " 5 "	"	1000 "	"	†0 4 6		
6239D	" 5 " 10 "	"	60 "	"	†0 5 1		
6240	" 10 " 20 "	"	100 "	"	†0 5 4		
6241	" 20 " 30 "	"	50 "	"	†0 5 9		
	$\frac{1}{4}$ " thick—						
6242	Up to 1 square foot ...	"	1000 "	"	†0 2 7		
6242A	Over 1 up to 2 square feet	"	1000 "	"	†0 3 6		
6242B	" 2 " 3 "	"	150 "	"	†0 3 10		
6242C	" 3 " 5 "	"	150 "	"	†0 4 3		
6242D	" 5 " 10 "	"	200 "	"	†0 4 10		
6243	" 10 " 20 "	"	60 "	"	†0 5 1		
6244	" 20 " 40 "	"	50 "	"	†0 5 6		

† Less 3¼% discount for payment within 7 days of date of receipt of invoice, or 2½% for payment by end of month following month of delivery.

GLASS—continued.

Item No.	Description	Country of Manuf're	Estimated Requirements	Rate per	Rate £ s. d.	Name of Contractor	
Glass, to specification—continued—							
6245	$\frac{5}{16}$ " thick— Up to 1 square foot ...	U.K.	10 sq. ft.	sq. ft.	£0 3 7	T. S. Gill & Son Ltd. Brooks Robinson Pty. Ltd.	
6245A	Over 1 up to 2 square feet	"	15 "	"	£0 4 6		
6245B	" 2 " 3 "	"	20 "	"	£0 4 10		
6245C	" 3 " 5 "	"	40 "	"	£0 5 3		
6245D	" 5 " 10 "	"	25 "	"	£0 5 10		
6246	" 10 " 20 "	"	20 "	"	£0 6 1		
6247	Extra on rates for items Nos. 6239 to 6244, for cutting, grinding and polishing a 3" diameter hole, in an indicated position	Vict.	...	each	£0 11 4½		
Plate, silvered, plain edge, $\frac{1}{4}$ " thick—							
6248	Up to 2 square feet ...	U.K. & Vict.	10 sq. ft.	sq. ft.	£0 4 7½		
6248A	Over 2 up to 3 square feet	"	100 "	"	£0 4 11½		
6248B	" 3 " 5 "	"	30 "	"	£0 5 6½		
6248C	" 5 " 7 "	"	10 "	"	£0 6 3½		
6248D	" 7 " 10 "	"	20 "	"	£0 6 3½		
6249	" 10 " 20 "	"	20 "	"	£0 6 6½		
Extras on rates for items Nos. 6239 to 6244, and 6248 to 6249 for—							
6250	$\frac{3}{4}$ " bevel— Up to 10 lin. feet ...	Vict.	...	lin. ft.	£0 0 8½		
6250A	Over 10 up to 12 lin. feet	"	...	"	£0 0 9½		
6250B	" 12 " 15 "	"	...	"	£0 1 1		
6250C	" 15 " 20 "	"	...	"	£0 1 6½		
6251	1" bevel— Up to 10 lin. feet ...	"	...	"	£0 1 0		
6251A	Over 10 up to 12 lin. feet	"	...	"	£0 1 1		
6251B	" 12 " 15 "	"	...	"	£0 1 6½		
6251C	" 15 " 20 "	"	...	"	£0 2 0		
6252	Polished Arriss ...	"	...	...	As per price list		
6253	Ground Edges ...	"	...	...			
6254	Plate, silvered, plain cut edges, $\frac{1}{4}$ " thick, 6½" x 5½", for tricycle mirrors	U.K. & Vict.	250	each	£0 1 7		
6255	Plate, rolled, ribbed, $\frac{3}{16}$ " thick	N.S.W.	20 sq. ft.	sq. ft.	£0 1 1½		
6256	Plate, wire, cast, $\frac{1}{4}$ " thick ...	"	8000 "	"	£0 1 5		
6257	Plate, wire rolled, $\frac{1}{4}$ " thick ...	U.K.	150 "	"	£0 1 5		

‡ Less 3¼% discount for payment within 7 days of date of receipt of invoice; or 2½% for payment by end of month following month of delivery

GLASS—continued.

Item No.	Description	Country of Manufre	Estimated Requirements	Rate per	Rate			Name of Contractor	
					£	s.	d.		
Glass, to specification—continued—									
<b>Sheet, clear—</b>									
16 oz.—									
6258	Up to 25 united inches ...	N.S.W.	} 250 sq. ft.	sq. ft.	10	0	6½	} Silverwood & Beck Pty. Ltd. John Sharp & Sons Pty. Ltd. Stansfield & Smith Pty. Ltd.	
6258A	Over 25 up to 40 united inches ...	"		"	"	10	0		6½
6259	" 40 " 50 " ...	"	1600 "	"	10	0	7		
21 oz.—									
6260	12" x 10" ...	"	150 sheets	sheet	10	0	8		
6261	16" x 12" ...	"	300 "	"	10	1	2		
6262	16" x 14" ...	"	200 "	"	10	1	4		
6263	18" x 12" ...	"	750 "	"	10	1	3		
6264	Up to 25 united inches, excluding item No. 6260	"	} 15,000 sq. feet	sq. ft.	10	0	9½		
6264A	Over 25 up to 40 united inches, excluding items Nos. 6261 to 6263	"		"	"	10	0		10
6265	Over 40 up to 50 united inches ...	N.S.W.	6000 sq. ft.	"	10	0	10½		
6265A	" 50 " 60 " ...	"	} 4000 "	"	10	0	10½		
6266	" 60 " 70 " ...	"		"	"	10	0	10¾	
6267	" 70 " 80 " ...	"	6000 "	"	10	0	11		
6268	" 80 " 85 " ...	"	} 1000 "	"	10	0	11½		
6268A	" 85 " 90 " ...	"		"	"	10	1	0	
6269	" 90 " 95 " ...	"	50 "	"	10	1	1½		
6270	" 95 " 100 " ...	"	50 "	"	10	1	1½		
26 oz.—									
6271	Up to 25 united inches ...	"	} 50,000 "	"	10	0	11½	} Silverwood & Beck Pty. Ltd. John Sharp & Sons Pty. Ltd. Stansfield & Smith Pty. Ltd.	
6272	Over 25 up to 40 united inches ...	"		"	"	10	0		11½
6272A	" 40 " 50 " ...	"	40,000 "	"	10	0	11¾		
6273	" 50 " 60 " ...	"	4000 "	"	10	1	0		
6274	" 60 " 70 " ...	"	500 "	"	10	1	0½		
6275	" 70 " 80 " ...	"	300 "	"	10	1	1		
6276	" 80 " 85 " ...	"	100 "	"	10	1	1½		
6277	" 85 " 90 " ...	"	100 "	"	10	1	2		
6278	" 90 " 95 " ...	"	200 "	"	10	1	3		
6279	" 95 " 100 " ...	"	50 "	"	10	1	4½		
Extras on rates for clear sheet glass for <b>Ground Sheet Glass—</b>									
6280	21 oz. (items Nos. 6260 to 6270)	N.S.W. & Vict.	50 "	"	10	0	6		
6281	26 oz. ( " 6271 to 6279)	"	5000 "	"	10	0	6		

† Less 3¼% discount for payment within 7 days of date of receipt of invoice, or 2½% for payment by end of month following month of delivery.

GLASS—continued.

Item No.	Description	Country of Manuf're	Estimated Requirements	Rate per	Rate			Name of Contractor
					£	s.	d.	
Glass, to specification—continued— Sheet, clear—continued—								
Sheet, signal green—								
†6283	21 oz. "Chance" ...	U.K.	800 sq. ft.	sq. ft.	†0	8	3	} Brooks Robinson Pty. Ltd.
†6284	Sheet, signal red, "Chance"— 16 oz. ...	"	100 "	"	†0	4	1	
†6285	21 oz. ...	"	250 "	"	†0	7	3	
6286	Sheet, silvered, 21 oz., 4 $\frac{3}{8}$ " x 2 $\frac{3}{8}$ ", plain edges	N.S.W. & Vict.	150	each	†0	0	4 $\frac{1}{2}$	} Silverwood & Beck Pty. Ltd.
6287	Sheet, silvered, 21 oz., to template, plain edges, for platform wall lamps	"	50 pairs	pair	†0	2	4	
6288	Windscreen, for booking office windows, 21 oz., 24" x 18", with 3" diameter cut and ground hole in centre	"	75	each	†0	6	4 $\frac{1}{2}$	F. Cotterell & Co.

† Less 3 $\frac{3}{4}$ % discount for payment within 7 days of date of receipt of invoice, or 2 $\frac{1}{2}$ % for payment by end of month following month of delivery.

PLUMBERS' GOODS.

(Schedule No. 189)

(1st July, 1946, to 30th June, 1948)

6310	Balls, fire plug, rubber, 3" diameter ...	Vict.	12	each	0	3	9	John Danks & Son Pty. Ltd.	
Bolts and Nuts, galvanised, rolled threads, mushroom slotted heads, square nuts, "Cooke's"—									
6311	$\frac{3}{4}$ " long x $\frac{1}{4}$ " diameter ...	"	24 gross	gross	0	2	9	} Hardware Co. of Aust. Pty. Ltd.	
6312	1" " x $\frac{1}{4}$ " " ...	"	100 "	"	0	2	10		
6313	1 $\frac{1}{4}$ " " x $\frac{1}{4}$ " " ...	"	12 "	"	0	3	0		
6314	1 $\frac{1}{2}$ " " x $\frac{1}{4}$ " " ...	"	40 "	"	0	3	2		
6315	2" " x $\frac{1}{4}$ " " ...	"	100 "	"	0	3	10	H. A. Barnard Pty. Ltd.	
Clips, bracket, nickel-plated, with 1 $\frac{1}{2}$ " shanks, "Ezy"—									
†6316	For $\frac{1}{2}$ ", $\frac{3}{4}$ " or 1" copper pipe, as ordered	"	36 doz.	each	0	1	11	} John Danks & Son Pty. Ltd.	
†6317	For $\frac{1}{2}$ " galvanised steel pipe	"	36 "	"	0	1	11		
Clips, hose, galvanised, "Pope"—									
6318	$\frac{1}{2}$ " ...	S. Aust.	30 "	doz.	0	0	11 $\frac{1}{2}$	} Hardware Co. of Aust. Pty. Ltd.	
6319	$\frac{3}{4}$ " ...	"	60 "	"	0	1	3 $\frac{1}{2}$		
6320	1" ...	"	24 "	"	0	3	2		
Clips, hose, galvanised, double lap, "Ideal" pattern—									
6321	1 $\frac{1}{4}$ " ...	N.S.W.	} 80 "	"	0	3	6	} John Danks & Son Pty. Ltd.	
†6322	1 $\frac{1}{2}$ " ...	"		"	"	0	3		6
6323	1 $\frac{3}{4}$ " ...	"		"	"	0	4		0
6324	2" ...	N.S.W.		"	"	0	4		0
†6325	2 $\frac{1}{4}$ " ...	"		"	"	0	5		2
6326	2 $\frac{3}{4}$ " ...	"	"	"	0	5	8	John Danks & Son Pty. Ltd.	

PLUMBERS' GOODS—continued.

Item No.	Description	Country of Manuf're	Estimated Requirements	Rate per	Rate			Name of Contractor
					£	s.	d.	
6327	Clips, pipe, beaded, galvanised, "Diadem"— ½"	Vict.	100 doz.	doz.	0	0	3½	H. A. Barnard Pty. Ltd.
6328	¾"	"	100 "	"	0	0	4½	
6329	1"	"	80 "	"	0	0	6	
6332	Hooks, pipe, galvanised, for galvanised steel pipe— ¾"	N.S.W. or U.K.	80 "	"	0	1	3	John Danks & Son Pty. Ltd.
6333	¾"	"	40 "	"	0	1	6	
6334	1"	"	30 "	"	0	1	7	
6335	1½"	"	10 "	"	0	2	9	
6336	1½"	"	5 "	"	0	3	0	
6337	2"	"	5 "	"	0	3	3	
6338	Jointing, bitumen	Vict.	10 cwt.	cwt.	0	12	0	H. A. Barnard Pty. Ltd.
6339	Menders, hose, perfect clinching, "Pope"— ½" or ¾", as ordered	S. Aust.	36 doz.	doz.	0	2	7	Hardware Co. of Aust. Pty. Ltd.
6340	1"	"	8 "	"	0	9	9	
6341	Rivets, galvanised, cone head, ¾" or ½" long, as ordered x ⅜" diameter	Vict.	112 lbs.	cwt.	4	5	0	John Danks & Son Pty. Ltd.
†6348	Solder, resin cored, .08" dia., in 1-lb. reels, "Kembla"	N.S.W.	300 lbs.	lb.	0	2	11½	Australian General Electric Pty. Ltd.
†6349	Spelter, for brazing brass boiler tubes, No. 1, 2, 3 or 4, as ordered (see note)	Vict.	20 cwt.	"	0	2	9	John Danks & Son Pty. Ltd.
6350	Spikes, galvanised, for spouting, 6" or 7" long, as ordered	"	250 doz.	doz.	0	0	6	
6351	Tubes, galvanised, for spouting, 4½" or 5" long, as ordered	"	150 "	"	0	0	4	
6352	Washers, galvanised, cut, round, ⅜" thick— ¾" outside dia. x ⅜" hole, "Octopus"	"	3 cwt.	cwt.	4	15	0	McPherson's Ltd.
6353	¾" " " x ¼" " " "	"	6 "	"	4	5	6	
6354	¾" " " x ⅝" " " "	"	3 "	"	4	11	0	John Danks & Son Pty. Ltd.
6355	—Nil							

ENAMELLED BATHS, ETC.

(Schedule No. 190)

(1st July, 1946, to 30th June, 1948)

6356	Basins, lavatory, cast iron, white stainless acid resisting enamelled, 1st quality, to specification— 22" x 16", flat back with 1½" outlet	Vict.	75	each	†1	16	5	Mettters K.F.B. Pty. Ltd.
6357	22" x 16", " " " 1½" " "	"	25	"	†1	16	11	
6358	25" x 20", corner, " 1½" " "	"	150	"	†1	15	11	
6359	25" x 20" " " 1½" " "	"	30	"	†1	16	5	
6359A	Baths, cast iron, white stainless acid resisting enamelled, No. 5 pattern, 1st quality, reversible, to specification	"	250	"	†8	0	6	

† Less 2½% discount for payment by end of month following month of delivery.

## ENAMELLED BATHS, ETC.—continued.

Item No.	Description	Country of Manufre	Estimated Requirements	Rate per	Rate £ s. d.	Name of Contractor
6363	Cisterns, cast iron, No. 1, glass enamelled, 3 gal., with cover, and $\frac{1}{2}$ " M.M.B.W. pattern standard ball cock, high or low pressure, as ordered, (M), to specification, "Shanks"	Vict.	100	each	2 19 6	E. L. Yencken & Co. Pty. Ltd.
†6365	Screens, shower, wired cast glass, 4' 6" x 2' 3", round section frames, right or left hand, as ordered, to specification, uncrated	Vict.	150	each	2 6 7	Southern Plating & Manufacturing Co. Pty. Ltd.
6366	Sinks, cast iron, white stainless acid resisting enamelled, 1st quality, to specification— 18" x 12", inside measurements ...	"	175	"	†1 10 3	} Metters K.F.B. Pty. Ltd.
6367	24" x 13" " " ...	"	10	"	†1 15 6	

† Less 2½% discount for payment by end of month following month of delivery.

## EARTHENWARE LAVATORY PANS

(Schedule No. 191)

(1st July, 1946, to 30th June, 1948)

6368	(M) Pans, lavatory, earthenware, pedestal, class 6, white, P. or S. trap, as ordered, unvented, or right or left hand vent, as ordered, to specification	Vict.	250	each	2 2 2	} R. Fowler Ltd.
6369	Pans, lavatory, earthenware, for cars, to drawing No. 6761 (amended 2.9.41), or to drawing No. 4072B (amended 27.9.35), as ordered	"	120	"	3 13 8	

## GENERAL HARDWARE, No. 1

(Schedule No. 192.)

(1st July, 1946, to 30th June, 1948).

Chain, jack, iron, "Hipkiss Kershaw"—						
†6372	8 gauge ... ..	N.S.W.	24 doz. yds.	doz. yds.	0 3 10	} E. L. Yencken & Co. Pty. Ltd.
6373	10 " ... ..	"	20 "	"	0 2 8	
6374	12 " ... ..	"	40 "	"	0 2 2	
6375	14 " ... ..	"	35 "	"	0 1 8	
6376	16 " ... ..	"	50 "	"	0 1 6	
†6377	Extinguishers, fire, C.T.C. type, complete, 1 quart, "Simplex Auto."	"	100	each	1 15 0	Wormald Bros. Pty. Ltd.
Ladles, for metal, wrought iron, 10 gauge,—						
6379	6", "W. H. Plumb" ... ..	N.S.W.	20	each	0 5 1	Briscoe & Co. Ltd.

GENERAL HARDWARE, No. 1—continued.

Item No.	Description	Country of Manuf're	Estimated Requirements	Rate per	Rate			Name of Contractor
					£	s.	d.	
	Plates, brass, etched with acid, to specification—							
*6387	Engine No., Cylinder Size, Crankshaft size	Vict.	250	each	0	0	3½	C. G. Roeszler & Son
*6388	Fire Extinguisher ... ..	„	650	„	0	1	5	
*6389	For Inspection car oil pump ...	„	100	„	0	0	3½	
*6390	Motor Spirit—Highly Inflammable, 4½" x 2½"	„	150	„	0	1	0	
*6391	Victorian Railways, Ser. No., Volts, Amps.	„	400	„	0	0	3¼	
	Pulleys, galvanised, 2", universal type, for signal wires—							
*6392	Single ... ..	N.S.W.	200 doz.	„	0	2	3	R. B. Davies Pty. Ltd.
*6393	Double ... ..	„	50 „	„	0	2	6	
*6394	Triple ... ..	„	120 „	„	0	4	0	
6399	Wheels, navy barrow, 16" diameter, rims 1½" x ⅝", 6 No. ½" spokes, boss 6" long, spindle ¾" diameter x 12" long	Vict.	150	each	0	8	9	A. G. Way & Co. Pty. Ltd.
6400	Wheels, platform barrow, 18½" diameter rims 2¼ x ⅝", 6 No. ½" spokes, boss 6" long, 15" between washers, spindle 1" diameter x 20" long	„	150	„	0	15	6	

GENERAL HARDWARE, No. 2

(Schedule No. 193).

(1st July, 1946, to 30th June, 1948).

6402	Barrows, wheel, tubular steel, 16 gauge mild steel body, with 1" pipe handles— 3 cubic feet capacity ... ..	Vict.	15	each	3	0	0	A. G. Way & Co. Pty. Ltd.
6403	5 „ „ „ „ „ „	„	10	„	4	5	0	
6404	Bellows, moulders', 9"/10", "Federal"	„	40	„	0	4	0	Hardware Co. of Aust. Pty. Ltd.
6405	Candles, filter, "Berkefeld H" ... ..	„	50	„	„	„	„	Nil
†6406	Cups, grease, pressed steel, No. 3, ¼" gas, "Kingfisher"	U.K.	5 doz.	doz.	0	6	0	Welch, Perrin & Co. Pty. Ltd.
†6407	Exterminator, rabbit, "Smokogas," in packets of approx. 4 oz.	Vict.	1500 doz. pkts.	doz. pkts.	0	3	3	Hart & Co. Pty. Ltd.
	Glasses—							
*6410	Gauge, ¾" x 16½" long, suitable for Babcock and Wilcox boilers at 210 lb. pressure, Bishop's "Adamant"	U.K.	35 „	„	} Landed cost plus 15%	}	}	Bell's Asbestos & Eng. (Aust.) Ltd.
†6411	Lubricator, ⅝" x 3⅝", Bishop's "Adamant"	„	25 „	„				
	Holders, broom, complete with wing nut, flat and spring washer and 2 screws—							
6412	"Gyton's" No. 2, with ⅜" bolt ... ..	Vict.	500	each	0	2	1½	} T. H. Gyton
6413	"Gyton's" No. 3, with ⅝" bolt ... ..	„	1000	„	0	2	1	
*6417	Type, dating, lead ... ..	Vict.	200 lbs.	lb.	0	11	6	R. Collie & Co. Pty. Ltd.
†6418	Whistles, guards', "Acme Thunderer"	U.K.	150	each	0	2	3	Briscoe & Co. Ltd.



**POLISHES, CASE HARDENING COMPOSITION, ETC.**

(Schedule No. 194)

(1st July, 1946, to 30th June, 1948)

Item No.	Description	Country of Manuf're	Estimated Requirements	Rate per	Rate			Name of Contractor
					£	s.	d.	
†6420	Composition, case hardening, fine, "Impregno"	N.S.W.	20 tons	ton	21	0	0	The Steel Improvement Co. Pty. Ltd.
† { 6421	Dressing, belt, liquid, in 1-lb. tins, "Octopus." (see note)	S. Aust.	} 450 lbs.	lb.	0	2	2	} H. Perks & Co. Pty. Ltd.
6422	Dressing, belt, liquid, in 2, 7 or 14-lb. tins, as ordered, "Octopus." (see note)	"		"	"	0	2	
	Polish, boot, "Nugget," in 1½-oz. tins, (in cartons of 24 tins)—							
†6423	Black	Vict.	60 doz. tins	doz. tins	†0	4	7	Nugget Polish Pty. Ltd.
†6424	Tan or Dark Tan, as ordered	"	Nil	"	"	"	"	"
†6425	Polish, furniture, wax, brown, in 14-oz. jars, "M.E.B."	Vict.	500 doz. jars	doz. jars	† { 0	11	4	M.E.B. Trading Co.
†6426	Polish, lavatory cleaner, in 16-oz. tins, "Speddo"	"	5 doz. tins	doz. tins	less 10% 0	10	6	W. & G. Dean Pty. Ltd.
	Polish, metal cleaner—							
†6427	Liquid, for hot metal, in 6-oz. bottles, "Pynerzone"	Vict.	1500 bottles	bottle	0	0	5½	A. B. Gibson & Sons Pty. Ltd.
†6429	Salts, carburising, liquid, "Impregno"	N.S.W.	10 cwt.	cwt.	9	6	8	} The Steel Improvement Co. Pty. Ltd.
†6430	Carbon Economiser, (for use with item 6429), "Impregno"	"	1 "	"	8	8	0	
	Solvent, rust, "Penetrene"—							
† { 6431	In 16-oz. tins, with reversible spouts	Vict.	500 tins	tin	0	2	2	} Austral Chemical C
6432	In 1-gallon tins	"	150 gals.	gal.	0	15	6	
†6433	Stain, black, "Ezywurk," or suitable alternative, in approximately ½-pint containers	"	Nil	"	"	"	"	

† { Item No. 6423.—Less 3½% discount for payment within 7 days of date of receipt of invoice.  
 Item No. 6425.—Less a further 10% discount for payment within 14 days of date of receipt of invoice.

**COPPER BOILERS, STOVES, ETC.**

(Schedule No. 195.)

(1st July, 1946, to 30th June, 1948).

6440	Boilers, copper, blocked, 22 s.w. gauge, "Wimpole"— 12-gallon capacity	Vict.	25	each	1	5	6	} Briscoe & Co. Ltd.
6441	14 " " " " " "	"	75	"	1	8	3	
6443	Grates, company, (coke), 16"	Vict.	175	each	0	12	0	A. H. Ryan & Irving Pty. Ltd.

## COPPER BOILERS, STOVES, ETC.—continued.

Item No.	Description	Country of Manuf're	Estimated Requirements	Rate per	Rate			Name of Contractor
					£	s.	d.	
6444	Ovens, camp, complete with lids— 12" ... ..	Vict.	5	each	†0	9	6	} Metters K.F.B. Pty. Ltd.
6445	14" ... ..	"	10	"	†0	13	0	
6446	16" ... ..	"	10	"	†0	15	6	
6448	Stoves, "Dumpy," without pipe— No. 2 ... ..	Vict.	3	"	†1	4	6	} Metters K.F.B. Pty. Ltd.
6449	No. 3 ... ..	"	10	"	†1	8	0	
6451	Stoves, one-fire, "Clarion" No. 2, 30" x 27" x 18", complete with 7½ feet of flue piping, rake, cup lifter and poker	"	150	each	‡4	5	0	} Galliers & Klaerr Pty. Ltd.
6452	Trays, ash, for "Federal" stoves, 11" x 7¾" x 1¼" deep	"	200	"	0	2	6	
6453	Parts for "Clarion" stoves— Ashpan ... ..	"	...	"	‡0	4	0	} Galliers & Klaerr Pty. Ltd.
6453A	Box, flue ... ..	"	...	"	‡0	5	6	
6453B	Clip, fire door ... ..	"	...	"	‡0	0	9	
6453C	Cover, fire ... ..	"	...	"	‡0	5	0	
6453D	Cup, side ... ..	"	...	"	‡0	0	9	
6453E	Cup, centre ... ..	"	...	"	‡0	1	0	
6453F	Damper, back ... ..	"	...	"	‡0	1	0	
6453G	Damper, back frame ... ..	"	...	"	‡0	1	6	
6453H	Damper, fire door ... ..	"	...	"	‡0	1	6	
6453J	Door, fire, complete ... ..	"	...	"	‡0	6	0	
6453K	Door, flue box ... ..	"	...	"	‡0	1	0	
6453L	Door, oven ... ..	"	...	"	‡0	6	6	
6453M	Door, soot ... ..	"	...	"	‡0	0	9	
6453N	Front ... ..	"	...	"	‡0	12	6	
6453P	Grating, bottom ... ..	"	...	"	‡0	4	6	
6453R	Grating, side ... ..	"	...	"	‡0	2	6	
6453S	Knob ... ..	"	...	"	‡0	1	0	
6453T	Pipe, flue ... ..	Vict.	...	foot	‡0	1	0	
6453U	Saddle, fire ... ..	"	...	each	‡0	10	11	
6453V	Shelf ... ..	"	...	"	‡0	2	0	
6453W	Side, outer ... ..	"	...	"	‡0	11	0	
6453X	Top ... ..	"	...	"	‡0	12	6	

‡ Rates plus 20%.

† Less 2½% discount for payment by end of month following month of delivery.

**GRINDSTONES, ABRASIVE WHEELS, ETC.**

(Schedule No. 196)

(1st July, 1946, to 30th June, 1948.)

Item No.	Description	Country of Manuf're	Estimated Requirements	Discount Group	Rate per	Rate £ s. d.	Name of Contractor
	Blocks, segmental, abrasive, vitrified bond, 6" x 3 <sup>5</sup> / <sub>16</sub> " / 4 <sup>1</sup> / <sub>16</sub> " x 1 <sup>1</sup> / <sub>2</sub> ", for surface grinding, suitable for use in a chuck 22" diameter rotating at 720 r.p.m.—						
6463	Aluminous oxide, 38 A 30 IVBE	N.S.W.	600	B	each	£0 12 9	Eliza Tinsley Pty. Ltd. McPherson's Ltd.
6464	" " 38 A 20 IVBE	"	400	B	"	£0 12 9	
6465	Silicon carbide, 37 C.24 IV	"	120	B	"	£0 12 9	
	Discs, abrasive—						
6466	7" diameter x 24 grit, "Diamond"	Canada	350	F	"	£0 1 1	McPherson's Ltd
6467	9 <sup>1</sup> / <sub>4</sub> " " x 24 " "	"	250	F	"	£0 1 6	
6468	22" x 1 <sup>1</sup> / <sub>2</sub> " x 8", cloth backed, for steel, "Universal"	U.K.	12	D	"	£3 14 6	
6469	22" x 1 <sup>1</sup> / <sub>2</sub> " x 8", cloth backed, for tool steel, "Universal"	"	8	D	"	£3 14 6	
6470	22" x 1 <sup>1</sup> / <sub>2</sub> " x 8", cloth backed, for brass, "Universal"	"	12	D	"	£3 14 6	
6471	26" x 1 <sup>1</sup> / <sub>2</sub> " x 8", cloth backed, for cast iron and brass, "Universal"	"	4	D	"	£4 12 0	
	WHEELS, ABRASIVE, to specification—						
	Plain—						
	Aluminous oxide, vitrified bond—						
6472	7 <sup>7</sup> / <sub>8</sub> " x 1 <sup>1</sup> / <sub>4</sub> " x 1 <sup>1</sup> / <sub>4</sub> ", A 60 LVBE	N.S.W.		A	each	£0 1 9	Eliza Tinsley Pty. Ltd.
6472A	7 <sup>7</sup> / <sub>8</sub> " x 1 <sup>1</sup> / <sub>4</sub> " x 1 <sup>1</sup> / <sub>4</sub> ", A 60 LVBE	"	12	A	"	£0 1 9	McPherson's Ltd.
6472B	7 <sup>7</sup> / <sub>8</sub> " x 1 <sup>1</sup> / <sub>4</sub> " x 1 <sup>1</sup> / <sub>4</sub> ", A 60 LVBE	"				{ 0 1 6 less 30%	Naxos Abrasive Distributing Co. (Vic.)
6473	1" x 1 <sup>1</sup> / <sub>2</sub> " x 1 <sup>1</sup> / <sub>4</sub> ", A 60 LVBE	"	30	A	"	£0 1 9	Eliza Tinsley Pty. Ltd. McPherson's Ltd.
6474	1 <sup>1</sup> / <sub>4</sub> " x 1 <sup>1</sup> / <sub>2</sub> " x 1 <sup>3</sup> / <sub>16</sub> ", A 46 KVBE	"	40	A	"	£0 4 6	
6475	1 <sup>1</sup> / <sub>2</sub> " x 1 <sup>1</sup> / <sub>2</sub> " x 1 <sup>3</sup> / <sub>16</sub> ", A 46 KVBE	"	36	A	"	£0 4 6	
6476	1 <sup>1</sup> / <sub>2</sub> " x 1 <sup>1</sup> / <sub>2</sub> " x 1 <sup>3</sup> / <sub>16</sub> ", A 46 LVBE	"	20	A	"	£0 4 6	
6477	2" x 3 <sup>3</sup> / <sub>4</sub> " x 1 <sup>1</sup> / <sub>2</sub> ", A 46 LVBE	"	12	A	"	£0 3 9	
6478	2" x 1 <sup>1</sup> / <sub>2</sub> " x 1 <sup>3</sup> / <sub>16</sub> ", A 46 KVBE	"	12	A	"	£0 5 9	
6479	2" x 1 <sup>1</sup> / <sub>2</sub> " x 1 <sup>3</sup> / <sub>16</sub> ", A 46 LVBE	"	12	A	"	£0 5 9	
6480	3" x 1 <sup>1</sup> / <sub>2</sub> " x 1 <sup>1</sup> / <sub>4</sub> ", A 60 LV	"	12	A	"	£0 3 3	
6481	3" x 1 <sup>1</sup> / <sub>2</sub> " x 1 <sup>3</sup> / <sub>16</sub> ", A 46 LVBE (L.B.)	"	20	A	"	£0 7 3	
6482	4" x 1 <sup>1</sup> / <sub>4</sub> " x 1 <sup>1</sup> / <sub>2</sub> ", A 80 NV	"	6	A	"	£0 4 3	
6483	4" x 3 <sup>3</sup> / <sub>8</sub> " x 1 <sup>1</sup> / <sub>2</sub> ", A 60 NV (L.B.)	"	12	A	"	£0 4 9	
6484	4" x 3 <sup>3</sup> / <sub>4</sub> " x 1 <sup>1</sup> / <sub>2</sub> ", A 46 LV (L.B.)	"	24	A	"	£0 6 3	
6485	4" x 1" x 1 <sup>1</sup> / <sub>4</sub> ", A 46 LVBE (L.B.)	"	6	A	"	£0 7 6	

GRINDSTONES, ABRASIVE WHEELS, ETC.—continued.

Item No.	Description	Country of Manuf're	Estimated Requirements	Discount Group	Rate per	Rate			Name of Contractor
						£	s.	d.	
	WHEELS, ABRASIVE, to specification— continued—								
	Plain—continued— Aluminous oxide, vitrified bond— continued—								
6486	5" x 3/4" x 1/2", A 36 RV (L.B.) ...	N.S.W.	12	A	each	10	8	6	Eliza Tinsley Pty. Ltd. McPherson's Ltd.
6487	6" x 1/2" x 1/2", A 60 LVBE (L.B.) ...	"	6	A	"	10	7	3	
6489	6" x 1/2" x 1/2", A 46 NV (L.B.) ...	"	20	A	"	10	9	0	
6490	6" x 1/2" x 1/2", A 54 IV (L.B.) ...	"	24	A	"	10	9	0	
6491	6" x 1/2" x 1/2", 38 A 100 IVBE (L.B.)	"	6	B	"	10	9	0	
6492	6" x 1/2" x 3/4", A 60 OV (L.B.) ...	"	12	A	"	10	9	0	
6493	6" x 1/2" x 1 1/4", A 60 LVBE (L.B.) ...	"	6	A	"	10	9	0	
6494	6" x 3/4" x 3/4", A 60 JVBE (L.B.) ...	"	12	A	"	10	11	0	
6495	6" x 3/4" x 1 1/4", A 54 OV (L.B.) ...	"	8	A	"	10	11	0	
6496	6" x 1" x 1/2", A 24 RV (L.B.) ...	"	400	A	"	10	12	9	
6497	6" x 1" x 3/4", A 46 LV (L.B.) ...	"	6	A	"	10	12	9	
6498	8" x 1/2" x 3/4", A 54 LVBE (L.B.) ...	"	6	A	"	10	13	3	
6499	8" x 3/4" x 3/4", A 36 PV (L.B.) ...	"	12	A	"	10	16	6	
6502	8" x 1" x 3/4", A 30 QVBE (L.B.) ...	N.S.W.	6	A	each	10	19	6	
6506	10" x 1/2" x 7/8", A 80 PVBE (L.B.) ...	N.S.W.	2	A	each	10	13	6	
6507	10" x 3/8" x 7/8", A 46 KV (L.B.) ...	"	12	A	"	10	16	3	
6508	10" x 3/8" x 7/8", A 80 NV (L.B.) ...	"	6	A	"	10	16	3	
6509	10" x 1/2" x 7/8", A 54 NVBE (L.B.) ...	"	2	A	"	10	18	6	
6510	10" x 1/2" x 7/8", A 54 KV (L.B.) ...	"	6	A	"	10	18	6	
6511	10" x 1/2" x 1 1/4", A 46 LVBE (L.B.)	"	4	A	"	10	18	6	
6512	10" x 3/4" x 7/8", A 46 NV (L.B.) ...	"	12	A	"	11	3	0	
6513	10" x 3/4" x 1 1/4", A 46 LV (L.B.) ...	"	2	A	"	11	3	0	
6514	10" x 3/4" x 3", A 46 LV (L.B.) ...	"	6	A	"	11	3	0	
6515	10" x 1" x 7/8", A 46 KV (L.B.) ...	"	12	A	"	11	8	0	
6516	10" x 1" x 7/8", A 54 NV (L.B.) ...	"	12	A	"	11	8	0	
6517	10" x 1" x 1", A 54 NVBE (L.B.) ...	"	2	A	"	11	8	0	
6518	10" x 1" x 1 1/8", A 54 LVBE (L.B.) ...	"	4	A	"	11	8	0	
6519	10" x 1" x 1 1/4", A 46 LVBE (L.B.) ...	"	2	A	"	11	8	0	
6520	10" x 1 1/2" x 1 1/2", A 36 OVBE (L.B.) ...	"	4	A	"	11	18	0	
6521	10" x 1 1/2" x 1 1/2", A 54 LV (L.B.) ...	"	12	A	"	11	18	0	
6522	10" x 2" x 1 1/2", A 54 LV (L.B.) ...	"	2	A	"	12	9	0	

GRINDSTONES, ABRASIVE WHEELS, ETC.—continued.

Item No.	Description	Country of Manuf're	Estimated Requirements	Discount Group	Rate per	Rate £ s. d.	Name of Contractor
	WHEELS, ABRASIVE, to specification— continued—						
	Plain—continued—						
	Aluminous oxide, vitrified bond—con- tinued—						
6523	12" x 1/4" x 2", A 46 LV (L.B.) ...	N.S.W.	4	A	each	10 17 3	Eliza Tinsley Pty. Ltd. McPherson's Ltd.
6524	12" x 1/4" x 2", A 46 LV (L.B.) ...	"	4	A	"	11 3 0	
6525	12" x 1" x 2", A 46 KVBE (L.B.) ...	"	2	A	"	11 16 0	
6526	12" x 1 1/4" x 5", 38 A 46 JV ...	"	12	B	"	12 3 0	
6527	12" x 1 1/4" x 5", 38 A 46 IVBE ...	"	16	B	"	12 3 0	
6528	12" x 1 1/2" x 1 1/2", A 24 QVBE (L.B.) ...	"	12	A	"	12 9 0	
6529	12" x 1 1/2" x 1 1/2", A 60 OV (L.B.) ...	"	6	A	"	12 9 0	
6530	12" x 2" x 1", A 36 QVBE (L.B.) ...	"	8	A	"	13 2 0	
6531	12" x 2" x 2", A 30 QVBE (L.B.) ...	"	24	A	"	13 2 0	
6532	12" x 2" x 2", A 46 KVBE (L.B.) ...	"	40	A	"	13 2 0	
6533	14" x 2" x 1 1/2", A 20 QV (L.B.) ...	"	36	A	"	14 5 0	
6534	14" x 2" x 1 1/2", A 54 OV (L.B.) ...	"	8	A	"	14 5 0	
6535	14" x 2" x 2", A 24 QVBE (L.B.) ...	"	8	A	"	14 5 0	
6536	16" x 2" x 2", A 20 RV (L.B.) ...	"	6	A	"	15 11 0	
6537	18" x 1 1/2" x 10", A 36 JVBE ...	"	2	A	"	13 19 0	
6538	18" x 1 1/2" x 5", A 46 KV ...	"	6	A	"	15 8 0	
6539	18" x 1 1/2" x 2 1/2", A 24 QVBE (L.B.) ...	"	6	A	"	16 3 0	
6540	18" x 2" x 1 1/2", A 20 RV (L.B.) ...	"	18	A	"	16 19 0	
6541	18" x 2" x 1 1/2", A 30 QVBE (L.B.) ...	"	6	A	"	16 19 0	
6542	18" x 3" x 5", A 54 LVBE ...	"	6	A	"	19 18 0	
6543	20" x 2 1/2" x 1 1/2", A 16 RV (L.B.) ...	"	70	A	"	10 3 0	
6544	20" x 2 1/2" x 1 1/2", A 24 QVBE ...	"	80	A	"	10 3 0	
6545	20" x 2 1/2" x 9", A 24 QVBE ...	"	1	A	"	19 13 6	
6546	20" x 2 1/2" x 10", A 24 QVBE ...	"	2	A	"	18 19 6	
6547	20" x 3" x 2", A 24 RV (L.B.) ...	"	8	A	"	11 19 0	
6548	20" x 3" x 3", A 24 RV (L.B.) ...	"	8	A	"	11 19 0	
6549	24" x 1 3/4" x 2 1/4", A 24 QVBE (L.B.) ...	"	4	A	"	10 19 0	
6550	24" x 3" x 2", A 16 RV (L.B.) ...	"	12	A	"	17 10 0	
6551	24" x 3" x 2", A 30 QVBE (L.B.) ...	"	12	A	"	17 10 0	
6552	24" x 6" x 21", 38 A 46 JVBE ...	"	6	B	"	20 14 0	

GRINDSTONES, ABRASIVE WHEELS, ETC.—continued.

Item No.	Description	Country of Manuf're	Estimated Requirements	Discount Group	Rate per	Rate £ s. d.	Name of Contractor
WHEELS, ABRASIVE, to specification— continued—							
Plain—continued—							
Aluminous oxide, resinoid bond— continued—							
Aluminous oxide, resinoid bond—							
6555	2" x ½" x ¾", A 30 PB	N.S.W.	24	C	each	£0 3 3	Eliza Tinsley Pty.Ltd.
6555A	2" x ½" x ¾", A 30 PB	"		C	"	£0 3 3	McPherson's Ltd.
6555B	2" x ½" x ¾", A 30 PB, "D.C.M."	Vict.		"	"	0 2 9	Union Abrasives Pty. Ltd.
6556	2½" x ¾" x ¾", A 20 NB	N.S.W.	300	C	"	£0 4 3	Eliza Tinsley Pty. Ltd. McPherson's Ltd.
6557	4" x ⅜" x ½", A 60 OB	"	6	B	"	£0 3 4	
6558	6" x ⅝" x ½", A 60 OB	"	24	C	"	£0 6 3	Eliza Tinsley Pty.Ltd.
6558A	6" x ⅝" x ½", A 60 OB	"		C	"	£0 6 3	McPherson's Ltd.
6558B	6" x ⅝" x ½", A 60 OB	"		"	"	{ 0 4 4 less 5%	Naxos Abrasives Distributing Co. (Vic.)
6559	6" x ⅝" x 1¼", A 60 OB	N.S.W.	2	C	each	£0 6 3	Eliza Tinsley Pty.Ltd.
6559A	6" x ⅝" x 1¼", A 60 OB	"		C	"	£0 6 3	McPherson's Ltd.
6559B	6" x ⅝" x 1¼", A 60 OB	"		"	"	{ 0 4 4 less 5%	Naxos Abrasives Distributing Co. (Vic.)
6560	6" x 1" x ⅝", A 14 QB (L.B.)	"	600	C	"	£0 12 9	Eliza Tinsley Pty. Ltd. McPherson's Ltd.
6561	6" x 1¼" x ⅝", A 20 QB (L.B.)	"	400	C	"	£0 14 9	
6562	10" x ⅜" x 1", A 30 VB	"	36	B	"	£0 7 10	
6563	24" x 3" x 8¼"/6½", A 16 QB	"	3	C	"	£17 10 0	
Silicon carbide, vitrified bond—							
6564	4" x 1" x ¾", 37 C 30 IV	"	6	B	"	£0 7 6	Eliza Tinsley Pty. Ltd. McPherson's Ltd.
6566	6" x 1" x ¾", 37 C 30 IV (L.B.)	N.S.W.	2	B	each	£0 12 9	
6567	8" x ¾" x ¾", 37 C 120 JV	"	12	B	"	£0 16 6	
6568	10" x 1" x ⅞", 37 C 120 JV	"	6	B	"	£1 8 0	Eliza Tinsley Pty. Ltd. McPherson's Ltd.
6569	10" x 1" x 1⅝", 37 C 46 LV (L.B.)	"	6	B	"	£1 8 0	
6570	12" x 2" x 1½", 37 C 24 RV (L.B.)	"	6	B	"	£3 2 0	
6571	14" x 2" x 1½", 37 C 24 SV (L.B.)	"	2	B	"	£4 5 0	
6572	20" x 2½" x 1¾", 37 C 16 PV (L.B.)	"	40	B	"	£10 3 0	
6573	24" x 3" x 2", 37 C 20 RV (L.B.)	"	2	B	"	£17 10 0	
Silicon carbide, resinoid bond—							
6575	6" x 1" x ⅝", 37 C 20 PB	N.S.W.	24	E	each	£0 12 9	Eliza Tinsley Pty.Ltd.
6575A	6" x 1" x ⅝", 37 C 20 PB	"		E	"	£0 12 9	McPherson's Ltd.
6575B	6" x 1" x ⅝", 37 C 20 PB, "D.C.M."	Vict.		"	"	0 11 0	Union Abrasives Pty. Ltd.

GRINDSTONES, ABRASIVE WHEELS, ETC.—continued.

Item No.	Description	Country of Manuf're	Estimated Requirements	Discount Group	Rate per	Rate £ s. d.	Name of Contractor
WHEELS, ABRASIVE, to specification—continued—							
6576	<b>Straight Cup</b> , aluminous oxide, vitrified bond— 30" x 4" x 12", 37 C 16 PB	N.S.W.	4	E	each	‡34 5 0	Eliza Tinsley Pty. Ltd. McPherson's Ltd.
6577	<b>Plain, with face "D" bevel edge—</b> Aluminous oxide, vitrified bond— 10" x 1/4" x 7/8", 19 A 46 MVBE (L.B.)	"	4	A	"	‡0 13 6	
6578	10" x 3/8" x 7/8", 19 A 46 MVBE (L.B.)	"	6	A	"	‡0 16 3	
6579	10" x 3/8" x 7/8", A 80 PV (L.B.)	"	4	A	"	‡0 16 3	
6580	10" x 1/2" x 7/8", A 46 MVBE (L.B.)	"	12	A	"	‡0 18 6	
6581	10" x 3/4" x 1", A 46 LV (L.B.)	"	8	A	"	‡1 3 0	
6582	<b>Plain, with face "C" bevel edge,</b> 10" x 1/2" x 7/8", A 80 PV (L.B.)	"	6	A	"	‡0 18 6	
6584	4" x 2" x 3/4", 1/2" side and back walls, A 46 KVBE (L.B.)	N.S.W.	24	A	"	‡0 11 9	Eliza Tinsley Pty. Ltd. McPherson's Ltd.
6585	5" x 1 1/2" x 1 1/4", 3/8" walls, shape ME 19243, 38 A 60 IVBE (L.B.)	"	2	B	"	‡0 12 9	
6586	6" x 2" x 1 1/2", 1/2" side and back walls, A 46 KVBE (L.B.)	"	24	A	"	‡1 0 0	
6587	14" x 4" x 10 3/8", 1 3/8" side wall, 1/2" back wall, A 24 NVBE	"	6	A	"	‡7 4 3	
<b>Taper Cup</b> , aluminous oxide, vitrified bond—							
6588	3 1/4"/2 1/4" x 1 1/4" x 1/2", ME 19235, A 60 LVBE (L.B.)	"	24	A	"	‡0 7 3	Eliza Tinsley Pty. Ltd. McPherson's Ltd.
6589	3 1/4"/2 3/4" x 1 1/2" x 1 1/4", AME 2000, 38A 60 IVBE (L.B.)	"	30	B	"	‡0 8 0	
6591	12"/10 1/2" x 6" x 5 1/2", 1 3/8" side wall, 1 1/4" back wall, ME 14195, A 30 NV	N.S.W.	12	A	each	‡8 4 6	Eliza Tinsley Pty. Ltd. McPherson's Ltd.
<b>Recessed one side—</b> Aluminous oxide, vitrified bond—							
6593	1" x 1 1/2" x 1/4", recessed 1/2" x 1/8", A 46 LVBE	N.S.W.	4	A	each	‡0 2 3	Eliza Tinsley Pty. Ltd. McPherson's Ltd.
6594	1" x 1 1/2" x 1/4", recessed 1/2" x 1/8", 38 A 46 IV	"	2	B	"	‡0 2 3	
6595	1" x 3/4" x 1/4", recessed 1/2" x 1/4", A 46 LVBE	"	12	A	"	‡0 2 9	
6596	1" x 3/4" x 1/4", recessed 1/2" x 1/4", A 46 OV	"	12	A	"	‡0 2 9	
6597	1 1/4" x 1" x 1/4", recessed 3/4" x 3/8", A 36 OV	"	12	A	"	‡0 3 6	
6598	2 1/2" x 3/4" x 1 3/8", recessed 1 3/4" x 3/8", A 54 LVBE	"	2	A	"	‡0 4 3	
6599	6" x 1 1/4" x 1 3/4", recessed 3" x 1/2", A 46 LV (L.B.)	"	16	A	"	‡0 14 9	
6601	6" x 2" x 1 1/2", recessed 3 1/2" x 1 1/4", A 30 PVBE (L.B.)	N.S.W.	12	A	each	‡1 0 0	
6602	8" x 2" x 3/4", recessed 5 1/2" x 1 1/4", A 100 LVBE (L.B.)	"	2	A	"	‡1 12 0	
6603	8" x 2" x 3/4", recessed 5 1/2" x 1 1/4", A 60 LV (L.B.)	"	2	A	"	‡1 12 0	
6604	9 1/2" x 1 1/2" x 1 1/2", recessed 6 1/2" x 7/8", ME 203, A 54 LV (L.B.)	"	12	A	"	‡1 18 0	

GRINDSTONES, ABRASIVE WHEELS, ETC.—continued.

Item No.	Description	Country of Manuf're	Estimated Requirements	Discount Group	Rate per	Rate £ s. d.	Name of Contractor
WHEELS, ABRASIVE, to specification— continued—							
<b>Recessed one side—continued—</b>							
Aluminous oxide, vitrified bond— continued—							
6606	10" x 1" x 4 $\frac{3}{4}$ ", recessed 5 $\frac{3}{4}$ " x $\frac{5}{16}$ ", A 46 LV	N.S.W.	4	A	each	†1 8 0	Eliza Tinsley Pty. Ltd. McPherson's Ltd.
6607	12" x 1 $\frac{1}{2}$ " x 1 $\frac{1}{2}$ ", recessed 8" x $\frac{7}{8}$ ", A 54 NV (L.B.)	"	2	A	"	†2 9 0	
6607A	26" x 5" x 12", recessed 15" x $\frac{3}{4}$ ", A 54 LV	"	4	A	"	†34 1 0	
Aluminous oxide, resinoid bond—							
6608	6" x 2" x $\frac{5}{8}$ ", recessed 3 $\frac{1}{2}$ " x 1 $\frac{1}{4}$ ", A 16 QB (L.B.)	"	12	C	"	†1 0 0	Eliza Tinsley Pty. Ltd. McPherson's Ltd.
6609	Silicon carbide, vitrified bond— 2 $\frac{1}{2}$ " x $\frac{3}{4}$ " x $\frac{11}{16}$ ", recessed 1 $\frac{3}{4}$ " x $\frac{3}{8}$ ", 37 C 46 JV (L.B.)	"	12	B	"	†0 4 3	
6610	3 $\frac{1}{2}$ " x 1" x 1 $\frac{3}{8}$ ", recessed 2 $\frac{3}{8}$ " x $\frac{5}{16}$ ", 37 C 46 JV (L.B.)	"	6	B	"	†0 6 6	
<b>Recessed both sides, aluminous oxide, vitrified bond—</b>							
6611	14" x 2" x 1 $\frac{1}{2}$ ", recessed 9" x $\frac{1}{2}$ ", A 54 LVBE (L.B.)	"	24	A	"	†4 5 0	Eliza Tinsley Pty. Ltd. McPherson's Ltd.
6612	20" x 3" x 10", countersunk dovetail recessed 12 $\frac{1}{4}$ " x $\frac{1}{8}$ ", A 30 NV	"	4	A	"	†10 11 0	
6613	24" x 4" x 10", recessed 12" x $\frac{1}{2}$ ", A 20 TV	"	2	A	"	†22 13 0	
<b>Recessed both sides, silicon carbide, vitrified bond—</b>							
6614	14" x 3 $\frac{1}{2}$ " x 5", recessed 10" x 1 $\frac{1}{4}$ ", 37 C 80/1 KV	"	12	B	"	†7 5 0	Eliza Tinsley Pty.Ltd.
6614A	14" x 3 $\frac{1}{2}$ " x 5", recessed 10" x 1 $\frac{1}{4}$ ", 37 C 80/1 KV	"		B	"	†7 5 0	McPherson's Ltd.
6614B	14" x 3 $\frac{1}{2}$ " x 5", recessed 10" x 1 $\frac{1}{4}$ ", 37 C 80/1 KV	"		...	"	{ 6 5 0 less 25%	Naxos Abrasives Dis- tributing Co. (Vic.)
6615	14" x 3 $\frac{1}{2}$ " x 5", recessed 10" x 1 $\frac{1}{4}$ ", 37 C 120 JV	"	4	B	"	†7 5 0	Eliza Tinsley Pty.Ltd.
6615A	14" x 3 $\frac{1}{2}$ " x 5", recessed 10" x 1 $\frac{1}{4}$ ", 37 C 120 JV	"		B	"	†7 5 0	McPherson's Ltd.
6615B	14" x 3 $\frac{1}{2}$ " x 5", recessed 10" x 1 $\frac{1}{4}$ ", 37 C 120 JV	"		...	"	{ 6 5 0 less 25%	Naxos Abrasives Dis- tributing Co. (Vic.)
<b>Saucer, aluminous oxide, vitrified bond—</b>							
6618	6" x $\frac{1}{2}$ " x 1 $\frac{1}{4}$ ", ME 19229, 38 A 60 IVBE (L.B.)	N.S.W.	12	B	each	†0 9 0	Eliza Tinsley Pty. Ltd. McPherson's Ltd.



**ABRASIVE MATERIALS.**

(Schedule No. 197).

(1st July, 1946, to 30th June, 1948).

Item No.	Description	Country of Manuf're	Estimated Requirements	Rate per	Rate			Name of Contractor		
					£	s.	d.			
†6650	Bands, finisher, jointless, 36" x 4", grade 3/0-120, "Oakey"	U.K.	5 doz.	doz.	‡	0	0	McPherson's Ltd.		
†6651	Cloth, aluminous oxide, in sheets— No. 36, 15" x 15", "Durexite"	"	50 sheets	"	‡	1	8 9	Eliza Tinsley Pty. Ltd.		
†6652	No. 40, 11" x 9", "Canada Sandpapers"	Canada	50 "	quire	‡	0	15 0	McPherson's Ltd.		
†	Cloth, emery, in sheets, 8½" x 11½", "Liberty"— Nos. F.F., 0, 1 or 1½, as ordered	U.K.	75 reams	ream	3	13	0	Alexander, Ferguson Pty. Ltd.		
		"	20 "	"	4	0	6			
†	Paper, garnet, open or close coating, as ordered, in rolls of 50 yards, "Canada Sandpapers"— No. 0, 24½" wide	Canada	10 rolls	roll	‡	4	3 0	McPherson's Ltd.		
		"	4 "	"	‡	5	9 6			
		"	8 "	"	‡	6	5 0			
		"	2 "	"	‡	7	17 0			
		"	5 "	"	‡	10	10 0			
		"	2 "	"	‡	7	10 0			
†	No. 2½, 24½" "	"	6 "	"	‡	11	12 6	McPherson's Ltd.		
		Paper, glass, in sheets, 12" x 10", "Mitchells"— Nos. 0, 1, 1½ or F. 2, as ordered	Vict.	50 reams	ream	1	1		8	W. & G. Dean Pty. Ltd.
			"	60 "	"	1	8		6	
No. 2½	"	"	1		15	6				
†	Paper, silicon carbide, waterproof, in sheets, 11" x 9", "Edwards"— 180 grit	U.K.	100 quires	quire	0	7	0	Gilbert Lodge & Co. Pty. Ltd.		
		"	25 "	"	0	7	0			
†6667	Powder, emery— No. 70 hole, (substitute—aluminous oxide) "General Abrasives"	U.S.A.	200 lbs.	lb.	‡	0	1 1	McPherson's Ltd.		
†6668	No. 120 hole, in 7-lb. pkts., "Oakey"	U.K.	30 "	"	0	0	8	W. & G. Dean Pty. Ltd.		
†6671	Pumice, stone, "Firth"	N.Z.	2 "	cwt.	1	2	6	W. & G. Dean Pty. Ltd.		
†6672	Stones, carborundum, combination, coarse and fine, No. 108, 8" x 2" x 1", "D.C.M."	Vict.	50	each	‡	0	5 10½	Jolly Bros.		
†6674	Tape, emery, bias cut— ½" wide, No. 1, in rolls of 50 yards, "Oakey"	U.K.	2 rolls	roll	0	6	3	W. & G. Dean Pty. Ltd.		
†6675	1" wide, No. 1, in rolls of 25 yards, "Mitchells"	Vict.	10 "	"	‡	0	5 4	McPherson's Ltd.		

† Items Nos. 6650 to 6652, 6655 to 6661, 6667 and 6675—less 2½% discount for payment by end of month following month of delivery.  
 ‡ Item No. 6672—Less 2½% discount for payment within 14 days of date of receipt of invoice.

## BALL BEARINGS, ETC.

(Schedule No. 198.)

(1st July, 1946, to 30th June, 1948).

Item No.	Description	Country of Manuf're	Estimated Requirements	Rate per	Rate			Name of Contractor
					£	s.	d.	
	Bearings, ball, to specification—							
6690	"R. & M.," M.J. $\frac{3}{4}$ " ( $\frac{3}{4}$ " x 2" x $\frac{11}{16}$ " )	U.K.	50	each	0	5	5	Gardner, Waern & Co. Pty. Ltd.
6691	"R. & M.," L.J. $1\frac{1}{4}$ " ( $1\frac{1}{4}$ " x $2\frac{1}{4}$ " x $\frac{11}{16}$ " )	"	20	"	0	7	7	
6692	"R. & M.," M.J. $1\frac{1}{4}$ " ( $1\frac{1}{4}$ " x $3\frac{1}{8}$ " x $\frac{7}{8}$ " )	"	20	"	0	9	10	
6693	"S.K.F." No. 6404 (C. 003) (20mm x 72 mm x 19 mm), steel cage	Sweden	100	"	0	12	5	The SKF Ball-Bearing Co. (Aust) Pty. Ltd.
6694	"R. & M.," No. M.J. 25 (Z fit), (25 mm x 62 mm x 17 mm), steel cage	U.K.	25	"	0	6	9	Gardner, Waern & Co. Pty. Ltd.
6695	"R. & M.," No. M 15 (15 mm x 35 mm x 8 mm)	"	20	"	0	3	7	
	Self-aligning type—							
6696	"R. & M.," No. L.J. 20 (20 mm x 47 mm x 14 mm)	"	50	"	0	5	10	Gardner, Waern & Co. Pty. Ltd.
6697	"Fischer" No. P 304 (20 mm x 52 mm x 15 mm)	"	350	"	0	6	6	
6698	"Fischer" No. P 307 (35 mm x 80 mm x 21 mm)	"	300	"	0	13	2	
6699	"Fischer" No. P 308 (40 mm x 90 mm x 23 mm)	"	400	"	0	16	10	Bearing Service Co. of Aust. Pty. Ltd.
6700	"Fischer" No. P 3206 (30 mm x 62 mm x 20 mm)	"	20	"	0	9	5	
	Rigid, deep groove type—							
6701	"Hoffman" No. 120 (20 mm x 47 mm x 14 mm)	"	400	"	0	5	0	Gardner, Waern & Co. Pty. Ltd.
6702	"R. & M." No. L.J. 25 (25 mm x 52 mm x 15 mm)	"	50	"	0	5	7	
6703	"R. & M." No. L.J. 45 (45 mm x 85 mm x 19 mm)	"	100	"	0	11	10	
6704	"Hoffman" No. 320 (20 mm x 52 mm x 15 mm) (Z or 000 fit)	"	200	"	0	5	7	Bearing Service Co. of Aust. Pty. Ltd.
6705	"R. & M." No. M.J. 30 (30 mm x 72 mm x 19 mm)	"	40	"	0	10	2	
	Bearings, roller, flexible, "Hyatt"—							
6706	No. 18195 ( $1\frac{1}{4}$ " bore x $2\frac{7}{16}$ " outside diameter)	U.S.A.	400	"	0	5	5	Industrial & Domestic Equipment Co.
6707	No. 19250 ( $1\frac{7}{16}$ " bore x $3\frac{1}{8}$ " outside diameter)	"	150	"	0	9	3	
6708	Bearings, roller, single row, "R. & M.," No. M.R.J. 30 (30 mm x 72 mm x 19 mm) (Z or 000 fit), to specification	U.K.	50	"	0	18	0	Gardner, Waern & Co. Pty. Ltd.
6709-6719	Nil							

MOTOR ACCESSORIES

(Schedule No. 199)

(1st July, 1946, to 30th June, 1948).

Item No.	Description	Country of Manuf're	Estimated Requirements	Rate per	Rate £ s. d.	Name of Contractor
†6722	Cement, gasket, in 1-lb. tins, "Red Diamond"	Vict.	100 tins	doz. tins	1 9 8	Leggett Products Pty. Ltd.
†6723	Chains, roller, $\frac{1}{2}$ " pitch x $\frac{1}{8}$ " wide x 4' 6" long, "Coventry"	U.K.	150	ft.	†0 0 8	} McPherson's Ltd.
†6724	Chain, roller, $\frac{1}{2}$ " pitch, .335" diameter roller, $\frac{3}{8}$ " wide inside, 4' 3" long, 102 links with connecting link, for Villiers engines, "Renold" No. 110044	"	40	"	†0 4 9	
†6725	Chains, roller, transmission, single, 1" pitch x .670" inside x .625" diameter roller, in lengths 6' 2", complete with connecting link and spring clip fastener, "Renold"	"	20	"	†0 14 1	
Fasteners, belt, "Lillbro", in boxes of 12/12" lengths—						
†6729	No. 4 ... ..	Vict.	100 boxes	box	†0 6 7	} McPherson's Ltd.
†6730	No. 5 ... ..	"	60 "	"	†0 7 9	
Gaskets, copper asbestos, induction—						
*6733	For "S" motors ... ..	Vict.	50	each	0 0 4	} J. H. Farrer & Co. Pty. Ltd.
*6734	For "K.S." motors ... ..	"	200	"	0 0 3½	
†6735	Gaskets, copper asbestos, for spark plugs, $\frac{5}{8}$ " metric	"	30 doz.	gross	0 5 0	Leggett Products Pty. Ltd.
†6736	Gaskets, copper asbestos, valve cap, 1½" internal diameter x 2" external diameter	"	60 "	doz.	0 1 3	J. H. Farrer & Co. Pty. Ltd.
Paste, valve grinding, "Red Diamond"—						
†6742	Coarse, oil mixed, in 1¼ oz. tubes, 150 grain	Vict.	600 tubes	tube	0 1 1	} Leggett Products Pty. Ltd.
†6743	Coarse, water mixed, in 4 oz. tins, 150 grain	"	100 tins	tin	0 2 0	
†6744	Fine, oil mixed, in 1¼ oz. tubes, 220 grain	"	800 tubes	tube	0 1 1	
†6745	Fine, water mixed, in 4 oz. tins, 220 grain	"	50 tins	tin	0 2 0	
6752	Rings, piston, 7¼" external diameter x 6¾" internal diameter x .1855" wide, to specification	Vict.	100	each	0 3 0	Phoenix Motors Pty. Ltd.
†6756	Tubing, steel, flexible, ½" ... ..	N.S.W.	1000 ft.	100 feet	2 7 0	J. J. Masur

† Items Nos. 6723 to 6725.—Less 15% trade discount.

‡ Items Nos. 6729 and 6730.—Less 2½% discount for payment by end of month following month of delivery.

MOTOR ACCESSORIES—continued.

Item No.	Description	Country of Manuf're	Estimated Requirements	Rate per	Rate £ s. d.	Name of Contractor
	Tubing, steel, weldless, G.P. quality, in trade lengths—(see note)—					
6758	¾" external diameter x 18 i.s.w.g. ...	Sth. Aust.	600 ft.	foot	† { 0 1 0 less 48%	} McPherson's Ltd.
6759	¾" " " x 10 " ...	"	75 "	"	† { 0 1 10½ less 37%	
6760	1" " " x 10 " ...	"	500 "	"	† { 0 2 0½ less 44%	
6761	1½" " " x 10 " ...	"	1000 "	"	† { 0 2 4 less 48%	
6762	1½" " " x 16 " ...	"	1500 "	"	† { 0 1 5½ less 51%	
6763	2" " " x 10 " ...	"	25 "	"	† { 0 4 5 less 37%	

† Items Nos. 6758 to 6763.—Less a further 2½% discount for payment by end of month following month of delivery

MAGNETOS, SPARK PLUGS, ETC.

(Schedule No. 200)

(1st July, 1946, to 30th June, 1948)

*6770	Bowls, "Holley" carburetter, 18 g. ...	Vict.	75	each	0 1 3	H. Crossland
†6771	Carburetters, single cylinder engines, "Amal" type	U.K.	75	"	2 3 6	A. G. Healing Ltd.
†6773	Contacts, platinum, for "Bosch" magnetos, 75% platinum, 25% iridium, .145" diameter x .025" thick, thread 3.5 mm. x 6 mm., branded V Λ R, "Lorimier"	Vict.	96 pairs	pair	0 14 3	} Pyrox Pty. Ltd.
†6774	Contacts, platinum, for "M.L." magnetos, 90% platinum, 10% iridium, .145" diameter x .021" thick, thread 3.5 mm. x 6 mm., branded V Λ R, "Lorimier"	"	12 "	"	0 10 4	
*6775	Contacts, tungsten, for "B.T.H." magnetos, type K. 1, U.Z., .187" diameter x .050" thick, thread 4 B.A., branded V Λ R, "Lorimier"	"	48 "	"	0 3 0	

MAGNETOS, SPARK PLUGS, ETC.—continued.

Item No.	Description	Country of Manuf're	Estimated Requirements	Rate per	Rate			Name of Contractor
					£	s.	d.	
†6776	Contacts, tungsten, for "E.I.C." magnetos, type A. 1, .140" diameter x .050" thick, thread 7 B.A., branded V Λ R, "Lorimier"	Vict.	12 pairs	pair	0	2	6	Pyrox Pty. Ltd.
†6777	Contacts, tungsten, for "Lucas" magnetos, type K.A. 1, .187" diameter x .050" thick, thread 3 B.A., branded V Λ R, "Lorimier"	"	96 "	"	0	3	0	
†6778	Controls, Bowden, single lever, for magnetos	U.K.	50	each	0	6	6	A. G. Healing Ltd.
6780	Magnetos, high tension, anti-clockwise, for 4 h.p. single cylinder engines, fitted with standard tapered shaft, Woodruffe key and safety gap screw, suitable for Bowden control, "Type KD-1, B.T.H." (see note)	U.K.	250	each	5	12	0	Australian General Electric Pty. Ltd.
6781	Magnetos, high tension, anti-clockwise, for 4 and 6 h.p. single cylinder engines, fitted with standard tapered shaft, Woodruffe key, safety gap screw and continuous metal slip ring, suitable for lever control, "Type KD-1, B.T.H." (see note)	"		"	5	12	0	
†6782	Plugs, sparking, detachable or non-detachable, as ordered, branded V Λ R on hexagon portion of body— 14 mm., "Olympic"	Vict.	1000	"	0	2	2	Olympic Spark Plugs Pty. Ltd.
†6782A	" " "Pyrox"	"		"	0	2	0	Pyrox Pty. Ltd.
†6782B	" " "Dynamic"	"		"	0	2	2	Leggett Products Pty. Ltd.
†6783	18 mm., standard, "Olympic"	"	3000	"	0	2	2	Olympic Spark Plugs Pty. Ltd.
†6783A	" " "Pyrox"	"		"	0	2	0	Pyrox Pty. Ltd.
†6783B	" " "Dynamic"	"		"	0	2	2	Leggett Products Pty. Ltd.
†6784	½" taper (Ford), "Olympic"	"	1000	"	0	2	2	Olympic Spark Plugs Pty. Ltd.
†6784A	" " "Pyrox"	"		"	0	2	0	Pyrox Pty. Ltd.
†6784B	" " "Dynamic"	"		"	0	2	2	Leggett Products Pty. Ltd.
†6785	¾" "S.A.E.," "Olympic"	Vict.	1200	"	0	2	2	Olympic Spark Plugs Pty. Ltd.
†6785A	" " "Pyrox"	"		"	0	2	0	Pyrox Pty. Ltd.
†6785B	" " "Dynamic"	"		"	0	2	2	Leggett Products Pty. Ltd.
†6786	¾" "S.A.E.," long reach, small hexagon, "Olympic"	"	500	"	0	2	2	Olympic Spark Plugs Pty. Ltd.
†6786A	¾" "S.A.E.," long reach, small hexagon, "Pyrox"	"		"	0	2	0	Pyrox Pty. Ltd.
†6786B	¾" "S.A.E.," long reach, small hexagon, "Dynamic"	"		"	0	2	2	Leggett Products Pty. Ltd.
†6788	Valves, needle, for "Amal" float chambers, universal length (for both new and old types)	U.K.	100	each	0	1	2	A. G. Healing Ltd.

**BRAKE LINING.**

(Schedule No. 201).

(1st July, 1946, to 30th June, 1948).

**NOTE.**

The estimated requirements are based on the full list prices.

**PRICE LIST.****BRASS BONDED WOVEN BRAKE LINING**

For Brakes and Engineering purposes

Rates per foot

Width in Inches	Thickness					
	5/32"	3/16"	1/4"	5/16"	3/8"	1/2"
1	2/1	2/3	3/3	4/-	4/10	—
1½	2/3	2/8	3/8	4/8	5/3	—
1¾	2/6	2/11	3/10	5/-	5/7	—
1¾	2/11	3/1	4/-	5/2	6/6	—
1¾	3/1	3/8	4/8	5/7	7/9	—
1¾	3/3	3/9	4/11	6/2	8/1	—
1¾	3/8	4/-	5/2	7/-	8/8	—
2	4/2	4/8	6/2	7/4	8/11	11/10
2½	4/10	5/-	6/8	8/4	10/8	14/2
2½	5/-	5/6	7/4	9/6	11/7	16/-
2½	—	6/2	8/7	10/11	12/7	17/7
3	—	6/8	8/9	11/2	13/8	19/-
3½	—	7/4	9/5	12/2	15/6	20/-
3½	—	7/6	10/2	13/7	15/9	21/-
3½	—	8/3	10/8	15/4	16/3	22/10
4	—	8/8	11/3	16/6	17/4	24/-
4½	—	9/10	13/6	17/8	18/-	25/9
4½	—	10/6	14/2	18/2	19/1	27/9
4½	—	11/-	14/5	18/6	21/-	29/3
5	—	11/9	15/7	19/-	21/3	30/9
5½	—	12/3	16/5	21/3	24/3	32/6
5½	—	12/9	17/7	22/3	26/3	34/3
6	—	14/9	18/2	24/-	28/-	36/9
7	—	18/-	22/6	29/-	34/3	47/9
8	—	21/-	31/-	34/-	43/-	60/-

Item No.	Description	Country of Manuf're	Estimated Requirements	Rate per	Rate £ s. d.	Name of Contractor
†6800	Lining, brake, woven, "Safeguard 824" any size on price list, as ordered, any length ordered	U.K.	£250	...	List Price less 40%	G. P. Hordern
6801-6809	Nil					

## WIREWORK, ETC.

(Schedule No. 202)

(1st July, 1946, to 30th June, 1948)

Item No.	Description	Country of Manuf're	Estimated Requirements	Rate per	Rate			Name of Contractor
					£	s.	d.	
6810	Fabric, steel wire, in rolls or sheets, 90" wide, No. 10 i.s.w. gauge wire, 6" centre to centre transversely, and 6" centre to centre longitudinally	Vict.	2500 lin. yds.	l. yd.	0	1	11	K-M Steel Products Ltd.
*6811	Fasteners, dropper, fencing, galvanised steel wire, 2½" x 2¼" x 10g.	"	15 tons	cwt.	†‡	1	10 3	The Titan Nail & Wire Pty. Ltd.
	Gates, iron, tubular frame, 1" internal diameter, with galvanised chain wire filling, 3' 5" or 3' 10" high, as ordered, to specification (see note)—							
6813	Double, 8' wide hung, in two leaves, 5' and 3'	Vict.	25 sets	set	3	3	6	} Cyclone Co. of Aust. Pty. Ltd.
6814	Single, 3' wide hung ... ..	"	15	each	1	5	0	
6815	Gauze, brass, any gauges and meshes ordered of standard stock light and medium weight qualities, not exceeding 100 meshes per lineal inch	"	3500 sq. ft.	sq. ft.	0	1	6	Melbourne Wire Works
	Grips, spring—							
*6816	A ... ..	N.S.W.	100 gross	gross	0	12	0	} F.R.S. Ideal Spring Co. Ltd.
*6817	W ... ..	"	20 "	"	0	7	0	
*6818	Guards, galvanised wire, for booking windows	Vict.	200 sq. ft.	sq. ft.	0	5	6	P. Lummis & Sons
*6819	Guards, wire, complete with reflectors, for hand lamps	"	100	each	0	3	0	Melbourne Wire Works
6821	Net, fly wire, bronze; ¼" mesh x 26 i.s.w. gauge, 24", 30" or 36" wide, as ordered	Vict.	1000 sq. ft.	sq. ft.	0	1	1½	Melbourne Wire Works
6822	Net, fly wire, galvanised (Zincoid), 12 mesh x 26 g., 24", 30" or 36" wide, as ordered	"	5000 "	100 sq. ft.	†	1	7 0	Cyclone Co. of Aust. Pty. Ltd.
	Netting, chain wire, galvanised, double knuckled—							
6823	1½" mesh, 10 i.s.w. gauge, 3' to 6' wide, as ordered	"	2000 sq. yds.	sq. yd.	0	2	4	} Melbourne Wire Works
6824	1½" mesh, 12 i.s.w. gauge, 3' to 6' wide, as ordered	"	3000 "	"	0	1	9	
6825	2" mesh, 8 i.s.w. gauge, any width ordered up to 6'	"	50 "	"	0	2	9	
6826	2" mesh, 12 i.s.w. gauge, any width ordered up to 6'	"	500 "	"	0	1	5	

†‡ Item No. 6811.—Plus 2/9 per cwt. surcharge, then less 3% discount for payment within 10 days of receipt of invoice, or 2½%—30 days.

† Item No. 6822.—Less 2½%—30 days, i.e. 2½% discount for payment by end of month following month of delivery.

WIREWORK, ETC.—continued.

Item No.	Description	Country of Manuf're	Estimated Requirements	Rate per	Rate £ s. d.	Name of Contractor
6828	Netting, wire, galvanised, $\frac{1}{4}$ " mesh x 22 i.s.w. gauge, in rolls of 50 lin. yds.— 36" ,, ... ..	Vict.	30 sq. yds.	roll	£1 18 7	Cyclone Co. of Aust. Pty. Ltd.
6829	Netting, wire, galvanised, $1\frac{1}{4}$ " mesh x 17 i.s.w. gauge, in rolls of 100 lin. yds.— 36" wide ... ..	"	50 "	"	£2 2 3	
6830	42" ,, ... ..	"	20 "	"	£2 9 5	
6831	Sieves, brass, $\frac{1}{4}$ " mesh to 50 mesh, as ordered, any diameter ordered	"	500 ins.	1" of dia.	0 0 6	Greer & Ashburner
6832	Sieves, iron, $\frac{1}{2}$ " to $\frac{1}{16}$ " mesh, as ordered, any diameter ordered	"	5000 "	"	0 0 3 $\frac{1}{2}$	Melbourne Wire Works
6833	Sieves, iron, 24" diameter x 1" mesh, 12 i.s.w. gauge	"	5	each	0 10 6	
Springs, steel, black—						
*6834	4" x 11 i.s.w. gauge (half)	"	20 gross	gross	£0 13 6	F.R.S. Ideal Spring Co. Ltd.
*6835	5" x 8 " " "	"	5 "	"	£1 5 0	
*6836	5" x 9 " " "	"	15 "	"	£1 1 6	
*6837	5" x 11 " " "	"	25 "	"	£0 14 9	
*6838	5" x 14 " " (full)	"	5 "	"	£0 14 6	
*6839	6" x 11 " " (half)	"	50 "	"	£0 16 3	
*6840	6" x 12 " " (full)	"	10 "	"	£0 15 0	
*6841	7" x 11 " " (half)	"	50 "	"	£0 17 3	
*6842	8" x 9 " " "	"	20 "	"	£1 6 6	
*6843	9" x 9 " " "	"	5 "	"	£1 11 3	
6845	Wire, woven, mild steel, for spark arresters, 10 i.s.w. gauge, 3' 4" wide, to specification	Vict.	2500 lin. ft.	lin. ft.	0 7 6	Melbourne Wire Works
6846	Wire, woven, galvanised, $\frac{3}{8}$ " mesh, 16 i.s.w. gauge, 12" wide	"	1000 "	"	0 0 7 $\frac{1}{2}$	P. Lummis & Sons

££ Items Nos. 6828 to 6830.—Less 3% discount for payment within 10 days of date of receipt of invoice, then plus 6d. per roll for cartage.

£ Items Nos. 6834 to 6843.—Plus 10% surcharge.



**BLACK STEEL BOLTS AND NUTS.**

(Schedule No. 203)

(1st July, 1946, to 30th June, 1948)

## PRICE LIST

**Bolts and Nuts, black mild steel—**Item No. 6867—**Square** head, **Round** neck, **Hexagon** nut.Item No. 6868—**Square** head, **Round** neck, **Square** nut.

Rates per 100—

Length in.	DIAMETER			Length in.	DIAMETER		
	$\frac{1}{2}$ "	$\frac{3}{8}$ "	$\frac{1}{2}$ "		$\frac{1}{2}$ "	$\frac{3}{8}$ "	$\frac{1}{2}$ "
1	11/6	19/-	—	10	27/-	41/-	56/-
1 $\frac{1}{4}$	11/9	19/6	—	10 $\frac{1}{2}$	28/-	42/6	57/6
1 $\frac{1}{2}$	12/3	21/3	32/-	11	29/-	44/-	59/-
1 $\frac{3}{4}$	13/-	22/-	32/6	11 $\frac{1}{2}$	30/-	45/-	61/-
2	13/9	22/9	33/-	12	31/-	46/-	63/-
2 $\frac{1}{4}$	14/3	23/6	33/9	13	34/-	49/-	65/-
2 $\frac{1}{2}$	14/6	24/-	34/6	14	36/-	52/6	69/-
2 $\frac{3}{4}$	15/-	24/6	35/6	15	38/-	56/-	72/-
3	15/6	25/-	36/-	16	40/-	59/-	75/-
3 $\frac{1}{4}$	16/-	25/6	37/-	17	42/-	62/-	78/-
3 $\frac{1}{2}$	16/6	26/-	38/-	18	44/-	65/-	82/-
3 $\frac{3}{4}$	17/-	27/-	39/-	19	46/-	68/-	86/-
4	17/6	27/6	40/-	20	48/-	71/-	90/-
4 $\frac{1}{2}$	18/6	28/-	41/-	21	49/6	72/6	94/-
5	19/6	29/-	42/-	22	51/-	74/-	97/-
5 $\frac{1}{2}$	20/6	30/-	43/-	23	52/6	75/6	100/-
6	21/9	31/-	44/-	24	54/-	77/-	103/-
6 $\frac{1}{2}$	23/-	32/-	45/-	25	—	—	106/-
7	23/6	33/-	46/-	26	—	—	109/-
7 $\frac{1}{2}$	24/-	34/-	47/-	27	—	—	112/-
8	24/6	35/6	48/-	28	—	—	115/-
8 $\frac{1}{2}$	25/-	37/-	49/-	29	—	—	118/-
9	25/6	38/6	51/-	30	—	—	121/-
9 $\frac{1}{2}$	26/-	40/-	53/6	—	—	—	—

Intermediate lengths by  $\frac{1}{4}$  inch only, over 12 inches long, take next longer size listed.

BLACK STEEL BOLTS AND NUTS—continued.

PRICE LIST.

Bolts and Nuts, black mild steel—

Item No. 6859—Countersunk head, Square neck, Hexagon nut.

Item No. 6862—Cup head, Square neck, Hexagon nut.

RATES per 100—

Length in.	DIAMETER						
	3/16" & 1/4"	5/16"	3/8"	7/16"	1/2"	5/8"	3/4"
1/2	3/11	5/-	7/-	—	—	—	—
1	4/-	5/1	7/1	9/9	10/9	—	—
1 1/4	4/1	5/2	7/2	9/9	11/-	18/6	—
1 1/2	4/2	5/3	7/3	10/-	11/3	19/-	29/-
1 3/4	4/4	5/6	7/6	10/6	11/9	19/6	29/6
2	4/6	5/9	7/9	11/-	12/-	20/-	30/-
2 1/4	4/8	6/-	8/-	11/5	12/3	20/6	30/6
2 1/2	4/10	6/3	8/4	11/10	12/6	21/-	31/-
2 3/4	5/-	6/5	8/8	12/4	12/9	21/6	31/6
3	5/2	6/7	9/-	12/10	13/3	22/-	32/-
3 1/4	5/3	7/-	9/3	—	13/8	22/6	32/6
3 1/2	5/4	7/3	9/6	13/6	14/-	23/-	33/-
3 3/4	5/7	7/6	9/9	—	14/4	23/6	33/6
4	5/9	7/9	10/3	13/9	14/8	24/-	34/-
4 1/2	6/-	8/4	10/9	14/-	15/3	24/6	35/-
5	6/8	8/9	11/3	14/3	16/-	25/6	36/-
5 1/2	7/4	9/3	11/9	14/9	16/6	26/6	37/-
6	8/-	10/-	12/9	15/3	17/-	27/6	38/-
6 1/2	9/3	11/-	13/-	15/6	17/6	29/-	39/-
7	10/3	12/3	13/3	15/9	18/-	30/-	40/-
7 1/2	11/6	13/-	13/6	16/-	18/6	31/-	41/-
8	13/-	13/6	13/9	16/3	19/6	32/-	42/6
8 1/2	—	—	14/-	16/6	20/6	33/-	44/-
9	—	—	14/3	17/-	21/6	34/-	45/6
9 1/2	—	—	14/6	17/6	22/-	35/6	46/6
10	—	—	14/9	18/-	23/-	37/-	47/6
10 1/2	—	—	15/-	19/-	24/-	38/6	48/9
11	—	—	15/3	20/-	25/-	40/-	50/3
11 1/2	—	—	15/9	21/-	26/-	41/6	51/9
12	—	—	16/-	22/-	27/-	43/-	53/6
13	—	—	17/6	—	28/-	46/-	57/6
14	—	—	18/6	—	29/-	49/-	60/-
15	—	—	20/-	—	30/-	52/-	64/-
16	—	—	21/-	—	31/6	55/-	68/-
17	—	—	22/-	—	33/-	58/-	72/-
18	—	—	23/-	—	34/9	61/-	76/-
19	—	—	24/-	—	36/6	64/-	80/-
20	—	—	25/-	—	38/3	67/-	84/-
21	—	—	27/-	—	39/6	69/-	88/-
22	—	—	29/-	—	41/-	71/-	92/-
23	—	—	31/-	—	42/-	73/-	96/-
24	—	—	33/-	—	43/-	75/-	100/-

Intermediate lengths by 1/2 inch only, over 12 inches long, take next longer size listed.

BLACK STEEL BOLTS AND NUTS—continued.

PRICE LIST

Bolts and Nuts, black mild steel—

Item No. 6863—Hexagon head, Round neck, Hexagon nut.

Item No. 6865—Hexagon head, Round neck, 2 Hexagon nuts.

Rates per 100—

Length in.	DIAMETER								
	½"	5/16"	¾"	7/16"	½"	¾"	1"	1 1/8"	1 1/4"
½	5/4	6/6	9/-	--	--	--	--	--	--
1	5/5	6/7	9/1	11/8	11/6	19/-	--	--	--
1 1/4	5/6	6/8	9/2	11/10	11/9	19/6	23/6	--	--
1 1/2	5/7	6/9	9/3	12/-	12/3	20/-	29/-	42/-	--
1 3/4	5/8	7/2	9/6	12/6	13/-	20/6	29/6	43/-	56/6
2	5/10	7/6	9/9	13/-	13/9	21/-	30/-	44/-	58/-
2 1/4	6/-	7/9	10/3	13/6	14/3	22/-	30/6	45/-	60/-
2 1/2	6/4	8/-	10/9	14/-	14/6	22/6	31/-	46/-	62/-
2 3/4	6/8	8/4	11/3	14/6	15/-	23/-	31/9	47/-	64/-
3	7/-	8/8	11/9	15/-	15/6	23/6	32/6	48/-	66/-
3 1/4	--	--	--	--	16/-	24/-	33/6	49/-	68/-
3 1/2	7/6	9/2	13/-	15/6	16/6	24/6	34/6	50/-	70/-
3 3/4	--	--	--	--	17/-	25/-	35/6	51/-	72/-
4	8/-	9/9	14/-	16/6	17/9	26/-	36/6	52/-	74/-
4 1/4	9/6	11/3	14/3	17/6	19/-	26/6	38/-	53/6	76/-
5	10/-	12/3	14/6	18/6	20/-	27/-	39/6	55/-	78/-
5 1/2	10/9	13/9	14/9	20/-	21/6	28/6	41/-	56/6	80/-
6	11/6	14/6	15/-	21/6	22/6	29/6	42/-	58/-	82/-
6 1/2	--	--	15/6	--	23/6	31/-	44/-	61/-	84/-
7	--	--	16/-	--	24/-	32/6	46/-	63/6	86/-
7 1/2	--	--	16/9	--	24/6	33/9	48/-	66/-	88/-
8	--	--	17/6	--	25/-	35/3	50/-	69/-	91/-
8 1/2	--	--	18/6	--	25/6	36/9	52/-	71/-	95/-
9	--	--	19/6	--	26/-	38/6	54/-	74/-	99/-
9 1/2	--	--	21/-	--	26/6	40/-	56/-	77/-	103/-
10	--	--	22/-	--	27/-	41/6	58/-	80/-	107/-
10 1/2	--	--	--	--	28/-	42/9	60/-	83/-	112/-
11	--	--	23/6	--	29/6	44/-	62/-	86/-	116/-
11 1/2	--	--	--	--	31/-	45/6	64/-	89/-	120/-
12	--	--	25/-	--	33/-	47/-	66/-	92/-	124/-
13	--	--	--	--	35/-	50/-	68/-	95/-	128/-
14	--	--	--	--	37/-	53/6	72/-	101/-	136/-
15	--	--	--	--	39/-	56/6	76/-	107/-	144/-
16	--	--	--	--	41/-	60/-	80/-	113/-	152/-
17	--	--	--	--	43/-	63/-	84/-	119/-	160/-
18	--	--	--	--	45/-	66/-	88/-	125/-	168/-
19	--	--	--	--	47/-	69/-	92/-	131/-	176/-
20	--	--	--	--	49/-	72/-	96/-	137/-	184/-
21	--	--	--	--	--	74/-	99/-	143/-	--
22	--	--	--	--	--	76/6	102/-	149/-	--
23	--	--	--	--	--	79/-	105/-	155/-	--
24	--	--	--	--	--	82/-	108/-	161/-	--

Intermediate lengths by ½ inch only, over 12 inches long, take next longer size listed.

BLACK STEEL BOLTS AND NUTS—continued.

PRICE LIST.

Item No. 6861.—Bolts and nuts, black mild steel, Cup head, Nib neck, Hexagon nut.

Rates per 100.

Length	Diameter.				
	$\frac{3}{8}$ "	$\frac{1}{2}$ "	$\frac{5}{8}$ "	$\frac{3}{4}$ "	1"
1" ...	—	11/6	—	—	—
1 $\frac{1}{4}$ " ...	—	11/9	16/6	—	—
1 $\frac{1}{2}$ " ...	—	12/-	16/9	32/3	—
1 $\frac{3}{4}$ " ...	—	12/3	17/-	32/9	—
2" ...	—	12/9	17/4	33/6	—
2 $\frac{1}{4}$ " ...	—	13/-	18/-	34/-	—
2 $\frac{1}{2}$ " ...	—	13/3	18/3	34/9	—
2 $\frac{3}{4}$ " ...	—	—	—	35/3	58/9
3" ...	8/9	13/9	18/9	35/9	—
3 $\frac{1}{2}$ " ...	—	—	19/6	—	61/9

Item No.	Description	Country of Manuf'ro	Estimated Requirements	Rate per	Rate			Name of Contractor
					£	s.	d.	
*6850	Bolts and Nuts, black mild steel, fishplate, $\frac{1}{2}$ " diameter x 2" long, to specification	Vict.	5000	100	£	7	2	} McPherson's Ltd.
*6851	Bolts, black mild steel, gauge glass, cup head, without nuts, to Drg. No. 5167A.6, $\frac{5}{16}$ " diameter x 1 $\frac{13}{16}$ " long, to specification	"	10,000	"	£	6	0	
	Bolts and Nuts, black mild steel, to specification—							
	Countersunk head, Nib neck, Hexagon nut—							
6852	$\frac{1}{4}$ " diameter x 1 $\frac{1}{4}$ " long ...	"	3000	"	£	3	7	
6853	$\frac{1}{2}$ " " x 1 $\frac{1}{2}$ " " ...	"	1000	"	£	11	0	
6854	$\frac{5}{8}$ " " x 1 $\frac{1}{2}$ " " ...	"	1000	"	£	13	6	
6855	$\frac{3}{8}$ " " x 1 $\frac{3}{4}$ " " ...	"	2000	"	£	14	6	
6856	$\frac{5}{8}$ " " x 2" " ...	"	1000	"	£	14	9	
6857	$\frac{5}{8}$ " " x 3 $\frac{1}{2}$ " " ...	"	200	"	£	17	9	
6858	Countersunk head, Nib neck, 2 Hexagon nuts, $\frac{5}{8}$ " diameter x 3 $\frac{1}{2}$ " long	"	300	"	£	1	2 6	
	Countersunk head, Square neck, Hexagon nut—							
6859	$\frac{1}{4}$ " to $\frac{3}{4}$ " diameter x any length ordered, as per price list	"	£750	...	List price £ less 17 $\frac{1}{2}$ %			
6860	$\frac{5}{16}$ " diameter x 10 $\frac{1}{2}$ " long ...	"	500	100	£ s. d. £	11	9	
6861	Cup head, Nib neck, Hexagon nut, any size on price list, as ordered	"	£50	...	List price £ Net			

⌘ Rates plus 7.6%, plus 5%.

BLACK STEEL BOLTS AND NUTS—continued.

Item No.	Description	Country of Manuf're	Estimated Requirements	Rate per	Rate		Name of Contractor
					£	s. d.	
	Bolts and Nuts, black mild steel, to specification—continued—						
6862	Cup head, Square neck, Hexagon nut, $\frac{3}{16}$ " to $\frac{3}{4}$ " diameter x any length ordered, as per price list	"	£6000	...		List price less 36½%	McPherson's Ltd.
	Hexagon head, Round neck, Hexagon nut—						
6863	$\frac{1}{4}$ " to 1" diameter x any length ordered, as per price list	"	£5000	...		List price less 37½%	
6864	$\frac{3}{8}$ " diameter x 12½" long	"	500	100		£ s. d. 0 16 6	
6865	Hexagon head, Round neck, 2 Hexagon nuts, $\frac{1}{4}$ " to 1" diameter x any length ordered, as per price list	"	£250	...		List Price less 30%	
6867	Square head, Round neck, Hexagon nut, $\frac{1}{2}$ " to $\frac{3}{4}$ " diameter x any length ordered, as per price list	Vict.	£60	...		List Price less 35%	McPherson's Ltd.
	Square head, Round neck, Square nut—						
6868	$\frac{1}{2}$ " to $\frac{3}{4}$ " diameter x any length ordered, as per price list	"	£1000	...		List Price less 37½%	McPherson's Ltd.
6869	$\frac{7}{8}$ " diameter x 12" long	"	500	100		£ s. d. 2 3 6	
6870	$\frac{7}{8}$ " " x 13" " ...	"	500	"		2 5 9	
6873	$\frac{7}{8}$ " " x 16" " ...	Vict.	250	100		2 11 3	McPherson's Ltd.
6874	$\frac{7}{8}$ " " x 17" " ...	"	200	"		2 13 6	
6875	$\frac{7}{8}$ " " x 18" " ...	"	1000	"		2 15 6	
6876	$\frac{7}{8}$ " " x 19" " ...	"	1000	"		2 17 6	
6877	$\frac{7}{8}$ " " x 20" " ...	"	5000	"		2 18 6	
6878	$\frac{7}{8}$ " " x 21" " ...	"	1500	"		3 1 0	McPherson's Ltd.
6879	$\frac{7}{8}$ " " x 22" " ...	"	2000	"		3 2 6	
6880	$\frac{7}{8}$ " " x 23" " ...	"	3000	"		3 4 9	
6881	$\frac{7}{8}$ " " x 24" " ...	"	1400	"		3 7 0	
6882	$\frac{7}{8}$ " " x 25" " ...	"	700	"		3 8 0	
6883	$\frac{7}{8}$ " " x 26" " ...	"	1500	"		3 10 0	
6884	$\frac{7}{8}$ " " x 27" " ...	"	1000	"		3 12 3	
6885	$\frac{7}{8}$ " " x 28" " ...	"	1000	"		3 14 0	
6886	$\frac{7}{8}$ " " x 29" " ...	Vict.	Nil	...		...	McPherson's Ltd.
6887	$\frac{7}{8}$ " " x 30" " ...	"	1000	100		3 18 3	
6888	$\frac{7}{8}$ " " x 31" " ...	"	100	"		4 0 0	
6889	$\frac{7}{8}$ " " x 33" " ...	"	50	"		4 4 3	
6891	Tee head, Round neck, Hexagon nut— $\frac{3}{8}$ " diameter x 1" long, screwed to head	Vict.	2000	100		1 3 6	McPherson's Ltd.
6892	$\frac{1}{2}$ " " x 1½" " ...	"	50,000	"		0 9 9	
6893	$\frac{1}{2}$ " " x 1½" " ...	"	500	"		0 14 0	
6894	$\frac{1}{2}$ " " x 2" " ...	"	2000	"		0 10 1	

⚡ Rates plus 7.6%, plus 5%.

BLACK STEEL BOLTS AND NUTS—continued.

Item No.	Description	Country of Manuf're	Estimated Requirements	Rate per	Rate			Name of Contractor
					£	s.	d.	
	Bolts and Nuts, black mild steel, to specification—continued—							
	<b>Tee head, Round neck, Hexagon nut—</b> continued—							
6895	$\frac{1}{2}$ " diameter x $2\frac{1}{2}$ " long	Vict.	500	100	£0	11	0	} McPherson's Ltd.
6896	$\frac{1}{2}$ " " x 3" " ...	"	100	"	£0	12	7	
6897	$\frac{5}{8}$ " " x 2" " ...	"	100	"	£1	5	3	
6898	$\frac{5}{8}$ " " x $2\frac{3}{4}$ " " ...	"	750	"	£1	6	3	
6899	$\frac{3}{4}$ " " x 3" " ...	"	500	"	£1	13	0	
	Nuts, hexagon, black mild steel, tapped, to specification—							
6900	$\frac{3}{16}$ " ...	"	5000	"	£0	1	3	} McPherson's Ltd.
6901	$\frac{1}{4}$ " ...	"	25,000	"	£0	1	3	
6902	$\frac{5}{16}$ " ...	"	5000	"	£0	1	7	
6903	$\frac{3}{8}$ " ...	"	30,000	"	£0	1	11 $\frac{1}{2}$	
6904	$\frac{1}{2}$ " ...	"	150,000	"	£0	2	7 $\frac{1}{2}$	
6905	$\frac{5}{8}$ " ...	"	200,000	"	£0	4	6 $\frac{1}{2}$	
6906	$\frac{3}{4}$ " ...	"	200,000	"	£0	6	11	
6907	$\frac{7}{8}$ " ...	"	5000	"	£0	10	5	
6908	1" ...	"	2500	"	£0	15	3	
6909	1 $\frac{1}{8}$ " ...	"	2000	"	£1	1	0	
6910	1 $\frac{1}{4}$ " ...	"	400	"	£1	8	6	
6911	1 $\frac{3}{8}$ " ...	"	200	"	£1	15	6	
6912	1 $\frac{1}{2}$ " ...	"	200	"	£2	7	0	
6913	1 $\frac{3}{4}$ " ...	"	200	"	£5	12	0	
6914	2" ...	"	100	"	£6	10	0	
	Nuts, hexagon, lock, black mild steel, tapped, to specification—							
6915	$\frac{1}{2}$ " ...	"	2500	"	£0	2	10	} McPherson's Ltd.
6916	$\frac{5}{8}$ " ...	"	25,000	"	£0	4	7	
6917	$\frac{3}{4}$ " ...	"	5000	"	£0	6	10	
6918	$\frac{7}{8}$ " ...	"	5000	"	£0	10	0	
6919	1 $\frac{1}{8}$ " ...	"	200	"	£1	5	0	
6920-6939	Nil							

⌘ Rates plus 7.6%, plus 5%.

## BRIGHT STEEL BOLTS AND NUTS

(Schedule No. 204)

(1st July, 1946, to 30th June, 1948).

## PRICE LIST.

Item No. 6940. Bolts and Nuts, hexagon, bright mild steel.  
 H. A. Barnard Pty. Ltd. Rates per gross.

Length	DIAMETER.							
	$\frac{3}{16}$ "	$\frac{1}{4}$ "	$\frac{5}{16}$ "	$\frac{3}{8}$ "	$\frac{7}{16}$ "	$\frac{1}{2}$ "	$\frac{9}{16}$ "	$\frac{5}{8}$ "
$\frac{3}{4}$ "	12/4	12/4	14/3	17/3	20/7	—	—	—
1"	12/5	12/5	14/10	18/6	21/4	28/2	45/1	52/11
$1\frac{1}{4}$ "	13/7	13/7	16/1	19/7	22/1	29/6	48/8	53/5
$1\frac{1}{2}$ "	14/10	14/10	17/3	20/3	24/-	30/8	51/2	55/10
$1\frac{3}{4}$ "	16/-	16/-	19/-	21/6	25/11	32/3	53/9	58/7
2"	17/2	17/2	20/4	22/9	27/1	34/8	56/4	61/4
$2\frac{1}{4}$ "	19/-	19/-	21/7	24/6	28/5	37/2	58/8	63/9
$2\frac{1}{2}$ "	20/1	20/1	22/9	25/9	30/10	39/8	61/5	66/5
$2\frac{3}{4}$ "	21/4	21/4	24/-	28/3	33/4	42/2	65/2	71/3
3"	22/6	22/6	26/11	30/8	35/9	44/8	68/11	75/2
$3\frac{1}{4}$ "	—	26/-	29/3	33/1	39/4	47/2	73/8	78/10
$3\frac{1}{2}$ "	29/6	29/6	31/8	35/5	41/9	49/8	77/4	84/11
$3\frac{3}{4}$ "	33/-	33/-	35/9	38/-	44/3	52/2	82/3	89/11
4"	—	—	39/4	41/6	46/8	54/7	88/3	95/11
$4\frac{1}{2}$ "	—	—	42/10	46/3	51/7	61/11	93/5	102/4
5"	—	—	52/2	53/6	59/11	69/4	98/6	112/3
$5\frac{1}{2}$ "	—	—	61/5	62/10	68/3	77/9	110/5	119/10
6"	—	—	68/6	69/10	80/-	86/1	117/10	127/4

BRIGHT STEEL BOLTS AND NUTS—continued.

PRICE LIST.

Item No. 6941—Bolts and Nuts, hexagon, bright mild steel, (S.A.E.).

McPherson's Ltd.

Rates per gross.

Length	DIAMETER.								
	$\frac{3}{16}$ "	$\frac{1}{4}$ "	$\frac{5}{16}$ "	$\frac{3}{8}$ "	$\frac{7}{16}$ "	$\frac{1}{2}$ "	$\frac{9}{16}$ "	$\frac{5}{8}$ "	$\frac{3}{4}$ "
$\frac{3}{4}$ "	10/9	10/9	12/5	15/-	17/11	—	—	—	—
1"	10/10	10/10	12/11	16/1	18/7	24/6	39/2	46/-	—
$1\frac{1}{4}$ "	11/10	11/10	14/-	17/-	19/2	25/8	42/4	46/4	—
$1\frac{1}{2}$ "	12/11	12/11	15/1	17/7	20/10	26/10	44/6	48/7	70/10
$1\frac{3}{4}$ "	13/11	13/11	16/7	18/8	22/6	28/-	46/9	50/11	75/2
2"	14/11	14/11	17/8	19/9	23/7	30/2	49/-	53/2	80/6
$2\frac{1}{4}$ "	16/6	16/6	18/9	21/4	24/9	32/4	51/2	55/5	85/10
$2\frac{1}{2}$ "	17/6	17/6	19/9	22/5	26/10	34/6	53/5	57/9	92/3
$2\frac{3}{4}$ "	18/7	18/7	20/10	24/7	29/-	36/8	56/8	62/-	98/7
3"	19/7	19/7	23/5	26/8	31/1	38/10	59/11	65/4	105/-
$3\frac{1}{4}$ "	—	22/7	25/5	28/9	34/2	41/-	64/1	68/7	111/4
$3\frac{1}{2}$ "	25/8	25/8	27/6	30/10	36/4	43/2	67/3	73/10	119/8
$3\frac{3}{4}$ "	28/8	28/8	31/1	33/-	38/5	45/4	71/6	78/2	128/1
4"	31/9	31/9	34/2	36/1	40/7	47/6	76/9	83/5	134/5
$4\frac{1}{2}$ "	—	—	37/3	40/3	44/10	53/10	81/3	89/-	141/2
5"	—	—	45/4	46/6	52/1	61/2	85/8	97/7	153/11
$5\frac{1}{2}$ "	—	—	53/5	54/8	59/4	67/7	96/-	104/2	166/7
6"	—	—	59/7	60/9	69/7	74/10	102/6	110/9	179/4

Item No.	Description	Country of Manuf're	Estimated Requirements	Rate per	Rate £ s. d.	Name of Contractor
6940	Bolts and Nuts, hexagon, bright mild steel, finished, to specification, $\frac{3}{16}$ " to $\frac{5}{8}$ " diameter x $\frac{3}{4}$ " to 6" long, as per price list, as ordered, "Bruntons" or "D & H"	Vict. or N.S.W.	£100	...	List price Net	H. A. Barnard Pty. Ltd.
6941	Bolts and Nuts, hexagon, bright mild steel (S.A.E.), finished, to specification, $\frac{3}{16}$ " to $\frac{3}{4}$ " diameter x $\frac{3}{4}$ " to 6" long, as per price list, as ordered, "Dufor"	N.S.W.	£20	...	List price Plus 7½%	McPherson's Ltd.
	Nuts, hexagon, bright mild steel, finished, to specification—					
†6942	$\frac{1}{8}$ " ... ..	...	30 gross	...	...	Nil
6943	$\frac{7}{16}$ " or $\frac{1}{4}$ ", as ordered ... ..	Vict.	25 "	gross	0 4 5	} McPherson's Ltd.
6944	$\frac{5}{16}$ " ... ..	"	150 "	"	0 5 1	
6945	$\frac{3}{8}$ " ... ..	"	200 "	"	0 6 5	
6946	$\frac{7}{16}$ " ... ..	"	20 "	"	0 8 1	
6947	$\frac{1}{2}$ " ... ..	"	60 "	"	0 9 6	



BRIGHT STEEL BOLTS AND NUTS—continued.

Item No.	Description	Country of Manufre	Estimated Requirements	Rate per	Rate £ s. d.	Name of Contractor
Nuts, hexagon, bright mild steel, finished, to specification—continued—						
6948	5/8", "Dufor" ... ..	N.S.W.	100 gross	gross	0 16 8	} McPherson's Ltd.
6949	3/4", " " ... ..	"	20 "	"	1 4 8	
6950	7/8", " " ... ..	"	10 "	"	1 14 9	
6951	1", " " ... ..	"	20 "	"	2 7 4	
6952	1 1/8", " " ... ..	"	10 "	"	3 9 3	
6953	1 1/4", " " ... ..	"	5 "	"	5 10 10	
Nuts, hexagon, lock, bright mild steel, finished, to specification, "Dufor"—						
6954	5/16" ... ..	"	12 "	"	0 5 5	} McPherson's Ltd.
6955	1/2" ... ..	"	10 "	"	0 9 9	
6956	5/8" ... ..	"	10 "	"	0 15 1	
6957	3/4" ... ..	"	10 "	"	1 3 1	
6958	7/8" ... ..	"	10 "	"	1 11 3	
6959	1" ... ..	"	10 "	"	2 4 0	
6960	1 1/8" ... ..	"	5 "	"	2 19 1	
6961	1 1/4" ... ..	"	5 "	"	5 2 4	
Nuts, hexagon, bright mild steel, pressed, for rolled thread screws, "K & W"—						
†6962	1/8" ... ..	Vict.	100 "	"	0 0 7 1/2	} McPherson's Ltd.
†6963	3/16" ... ..	"	75 "	"	0 0 10 1/2	
†6964	1/4" ... ..	"	25 "	"	0 1 3 1/2	
†6965	5/16" ... ..	"	10 "	"	0 2 3	
*6966	Nuts, hexagon, bright mild steel, slotted, finished, 1", to specification, "Dufor"	N.S.W.	15 "	"	4 1 9	
Nuts, square, bright mild steel, pressed, for rolled thread screws, "K & W"—						
†6967	1/8" ... ..	Vict.	20 gross	gross	0 0 6 1/2	} McPherson's Ltd.
†6968	3/16" ... ..	"	50 "	"	0 0 9	
†6969	1/4" ... ..	"	75 "	"	0 1 2	
†6970	5/16" ... ..	"	15 "	"	0 1 7	
6971-6979—Nil						

**GALVANISED STEEL BOLTS AND NUTS, AND BRASS NUTS**

(Schedule No. 205)

(1st July, 1946, to 30th June, 1948)

Item No.	Description	Country of Manuf're	Estimated Requirements	Rate per	Rate £ s. d.	Name of Contractor
6980	Bolts and Nuts, galvanised mild steel, hexagon head, round neck, hexagon nut, to specification— $\frac{1}{2}$ " diameter x $4\frac{1}{2}$ " long	Vict.	500	100	0 15 6	} McPherson's Ltd.
6981	$\frac{1}{2}$ " " x 5" "	"	250	"	0 15 9	
6982	$\frac{5}{8}$ " " x $4\frac{1}{2}$ " "	"	15,000	"	1 1 4	
6984	$\frac{3}{4}$ " " x $2\frac{1}{2}$ " "	Vict.	15,000	100	1 3 10	McPherson's Ltd.
6986	Bolts and Nuts, galvanised mild steel, hexagon head, round neck, hexagon nut, to specification, each bolt complete with 2 square galvanised washers, $1\frac{1}{2}$ " x $\frac{1}{8}$ " thick x $\frac{11}{16}$ " round hole— $\frac{5}{8}$ " diameter x 9" long	Vict.	250	100	1 13 0	} McPherson's Ltd.
6987	$\frac{5}{8}$ " " x 10" "	"	500	"	1 14 6	
6989	$\frac{5}{8}$ " " x 12" "	Vict.	200	100	1 19 3	McPherson's Ltd.
6991	$\frac{5}{8}$ " " x 14" "	Vict.	100	100	2 3 9	McPherson's Ltd.
†6993	Nuts, hexagon, brass, finished (B.S.W.), to specification (except items Nos. 6993 and 6994), "K. & W."— $\frac{1}{8}$ "	Vict.	15 gross	gross	0 2 3	} McPherson's Ltd.
†6994	$\frac{3}{16}$ "	"	50 "	"	0 3 8	
6995	$\frac{1}{4}$ "	"	25 "	"	0 5 6	
6996	$\frac{5}{16}$ "	"	25 "	"	0 7 6	
6998	$\frac{1}{2}$ "	Vict.	10 gross	gross	1 4 5	
6999	$\frac{3}{4}$ "	"	5 "	"	3 7 0	} McPherson's Ltd.
7000	$\frac{7}{8}$ "	"	10 "	"	5 8 0	
7001	Nuts, hexagon, brass, pressed (B.S.W.), to specification, "K. & W."— $\frac{1}{8}$ "	"	50 "	"	0 0 10 $\frac{1}{2}$	
7002	$\frac{3}{16}$ "	"	200 "	"	0 1 7 $\frac{1}{2}$	} McPherson's Ltd.
7003	$\frac{1}{4}$ "	"	40 "	"	0 2 11	
7004	Nuts, wing (butterfly), brass (B.S.W.), "K. & W."— $\frac{1}{4}$ "	"	10 "	"	0 17 0	} H. A. Barnard Pty. Ltd.
7005	$\frac{3}{8}$ "	"	20 "	"	1 6 9	
7006-7019	Nil					

‡ Rates plus 7.6%, plus 5%.

**STEEL AND BRASS WASHERS**

(Schedule No. 206)

(1st July, 1946, to 30th June, 1948)

Item No.	Description	Country of Manuf're	Estimated Requirements	Rate per	Rate £ s. d.	Name of Contractor
	Washers, black mild steel, round plate, with round hole, to specification—					
7020	1" x $\frac{1}{8}$ " x $\frac{5}{16}$ " hole	Vict.	5 cwt.	cwt.	3 2 6	C. Stevens
7021	1" x $\frac{1}{8}$ " x $\frac{5}{16}$ " "	"	10 "	"	1 16 0	C. Ebeling & Sons Pty. Ltd.
7022	1 $\frac{1}{4}$ " x $\frac{1}{8}$ " x $\frac{5}{16}$ " "	"	2 "	"	1 16 0	
7023	1 $\frac{1}{4}$ " x $\frac{1}{8}$ " x $\frac{3}{8}$ " "	"	5 "	"	1 16 0	
7024	1 $\frac{3}{8}$ " x $\frac{1}{8}$ " x $\frac{7}{16}$ " "	"	5 "	"	2 10 6	C. Stevens
7025	1 $\frac{3}{8}$ " x $\frac{1}{8}$ " x $\frac{7}{16}$ " "	"	75 "	"	1 13 6	C. Ebeling & Sons Pty. Ltd.
7026	1 $\frac{1}{2}$ " x $\frac{1}{8}$ " x $\frac{7}{16}$ " "	"	10 "	"	1 13 6	
7027	1 $\frac{1}{4}$ " x $\frac{1}{8}$ " x $\frac{9}{16}$ " "	"	10 "	"	2 16 0	
7028	1 $\frac{1}{4}$ " x $\frac{1}{8}$ " x $\frac{9}{16}$ " "	"	60 "	"	1 12 0	C. Stevens
7029	1 $\frac{1}{2}$ " x $\frac{1}{8}$ " x $\frac{9}{16}$ " "	"	10 "	"	1 16 6	
7030	2" x $\frac{1}{4}$ " x $\frac{9}{16}$ " "	"	10 "	"	1 13 0	
7031	1 $\frac{1}{2}$ " x $\frac{1}{8}$ " x $\frac{11}{16}$ " "	"	40 "	"	1 12 6	C. Ebeling & Sons Pty. Ltd.
7032	2 $\frac{1}{2}$ " x $\frac{3}{16}$ " x $\frac{11}{16}$ " "	"	10 "	"	1 13 6	
7033	2" x $\frac{1}{4}$ " x $\frac{11}{16}$ " "	"	75 "	"	1 12 0	
7034	1 $\frac{1}{2}$ " x $\frac{1}{8}$ " x $\frac{11}{16}$ " "	"	5 "	"	1 18 0	C. Stevens
7035	1 $\frac{3}{4}$ " x $\frac{1}{8}$ " x $\frac{11}{16}$ " "	"	40 "	"	1 12 6	C. Ebeling & Sons Pty. Ltd.
7036	2 $\frac{1}{4}$ " x $\frac{1}{4}$ " x $\frac{11}{16}$ " "	"	150 "	"	1 12 0	
7037	1 $\frac{1}{4}$ " x $\frac{1}{8}$ " x $\frac{11}{16}$ " "	"	10 "	"	1 18 0	
7038	2" x $\frac{1}{8}$ " x $\frac{11}{16}$ " "	"	50 "	"	1 13 0	C. Stevens
7039	3" x $\frac{1}{4}$ " x $\frac{11}{16}$ " "	"	40 "	"	1 12 0	
7040	3" x $\frac{5}{16}$ " x $\frac{11}{16}$ " "	"	20 "	"	1 16 0	
7041	2 $\frac{3}{8}$ " x $\frac{1}{8}$ " x $1\frac{1}{16}$ " "	"	40 "	"	1 16 6	C. Ebeling & Sons Pty. Ltd.
7042	2 $\frac{3}{8}$ " x $\frac{3}{16}$ " x $1\frac{1}{16}$ " "	"	5 "	"	1 16 0	
7043	2 $\frac{1}{4}$ " x $\frac{1}{8}$ " x $1\frac{3}{16}$ " "	"	10 "	"	1 16 6	
7044	2 $\frac{1}{4}$ " x $\frac{1}{8}$ " x $1\frac{5}{16}$ " "	"	5 "	"	1 16 6	C. Stevens
7045	2 $\frac{1}{2}$ " x $\frac{1}{8}$ " x $1\frac{9}{16}$ " "	"	20 "	"	1 17 6	
7046	2 $\frac{1}{2}$ " x $\frac{1}{8}$ " x $1\frac{11}{16}$ " "	"	5 "	"	1 17 6	
7047	2 $\frac{3}{4}$ " x $\frac{1}{8}$ " x $1\frac{13}{16}$ " "	"	10 "	"	1 17 6	C. Ebeling & Sons Pty. Ltd.
7048	4" x $\frac{1}{8}$ " x $2\frac{1}{16}$ " "	"	10 "	"	2 0 0	
7049	4" x $\frac{1}{4}$ " x $2\frac{5}{8}$ " "	"	5 "	"	3 0 0	
	Washers, black mild steel, round plate, with square hole, to specification—					
7050	1 $\frac{1}{4}$ " x $\frac{1}{8}$ " x $\frac{7}{16}$ " hole	"	10 "	"	2 5 0	C. Stevens
7051	2" x $\frac{3}{16}$ " x $\frac{9}{16}$ " "	"	15 "	"	2 0 0	

STEEL AND BRASS WASHERS—continued.

Item No.	Description	Country of Manuf're	Estimated Requirements	Rate per	Rate £ s. d.	Name of Contractor
	Washers, black mild steel, square plate, with round hole, to specification—					
7052	1½" x ⅜" x ⅞" hole ...	Vict.	5 cwt.	cwt.	£1 2 9	McPherson's Ltd.
7053	2" x ¼" x ⅞" " ...	"	20 "	"	1 0 0	} C. Stevens
7054	2" x ¼" x ⅞" " ...	"	10 "	"	1 0 0	
7055	2½" x ⅞" x 1 ⅞" " ...	"	10 "	"	1 0 0	
7056	Washers, black mild steel, square plate, with square hole, to specification, 1½" x ¼" x ⅞" hole	"	5 "	"	£1 4 9	McPherson's Ltd.
	Washers, bright mild steel, round, with round hole, in 1-gross pkts.—					
†7057	½" x ⅜" x 18 gauge ...	"	60 gross	gross	†£0 0 4¼	} Sidney Cooke Ltd.
†7058	⅜" x ½" x 18 " ...	"	10 "	"	†£0 0 5¼	
†7059	¼" x ⅝" x 18 " ...	"	10 "	"	†£0 0 6¼	
†7060	⅝" x ¾" x 16 " ...	"	50 "	"	†£0 0 8½	
†7061	¾" x ⅞" x 16 " ...	"	50 "	"	†£0 0 11¼	
†7062	⅞" x 1" x 16 " ...	"	10 "	"	†£0 1 3¼	
†7063	½" x 1½" x 16 " ...	"	40 "	"	†£0 1 9¼	
†7064	⅝" x 1⅞" x 14 " ...	"	15 "	"	†£0 2 8	
†7065	¾" x 1½" x 14 " ...	"	10 "	"	†£0 4 9	
	Washers, brass, round, with round hole, in 1-gross pkts., to specification—					
†7066	½" x ⅞" x 21 gauge ...	"	30 "	"	†£0 0 8	} Sidney Cooke Ltd.
†7067	⅞" x ½" x 21 " ...	"	100 "	"	†£0 1 0	
†7068	¼" x ⅝" x 18 " ...	"	100 "	"	†£0 1 8	
†7069	⅝" x ¾" x 18 " ...	"	25 "	"	†£0 2 3	
7070	Washers, galvanised mild steel, square plate, to specification, 1½" x ⅞" x ⅞" round hole	"	10 cwt.	cwt.	£1 14 6	McPherson's Ltd.
7071-7079	—Nil					

‡ Items Nos. 7052, 7056 and 7070—Rates plus 5%.

†‡ Items Nos. 7057 to 7065—Rates plus 10% then less 2½%—Settlement discount.

† Items Nos. 7066 to 7069—Less 2½%—Settlement discount.

Settlement discount is allowable for payment by end of month following month of delivery.

**SPRING STEEL WASHERS**

(Schedule No. 207)

(1st July, 1946, to 30th June, 1948)

Item No.	Description	Country of Manuf're	Estimated Requirements	Rate per	Rate £ s. d.	Name of Contractor
Washers, spring steel, round, flat section, to specification—						
7080	$\frac{1}{2}$ " x $\frac{1}{8}$ " x $\frac{1}{16}$ "	Vict.	40 gross	gross	†0 1 6	}
7081	$\frac{3}{8}$ " x $\frac{1}{8}$ " x $\frac{1}{16}$ "	"	10 "	"	†0 2 3	
7082	$\frac{5}{8}$ " x $\frac{1}{4}$ " x $\frac{1}{8}$ "	"	10 "	"	†0 8 9	
7083	$\frac{11}{16}$ " x $\frac{1}{4}$ " x $\frac{1}{8}$ "	"	80 "	"	†0 10 0	
Washers, spring steel, round, square section, to specification—						
7084	$\frac{3}{16}$ " x $\frac{1}{16}$ "	"	150 "	"	†0 0 10	} Central Spring Works
7085	$\frac{1}{4}$ " x $\frac{1}{16}$ "	"	500 "	"	†0 0 10	
7086	$\frac{1}{4}$ " x $\frac{3}{32}$ "	"	100 "	"	†0 1 6	
7087	$\frac{1}{4}$ " x $\frac{1}{8}$ "	"	75 "	"	†0 2 6	
7088	$\frac{5}{16}$ " x $\frac{1}{16}$ "	"	30 "	"	†0 1 0	
7089	$\frac{5}{16}$ " x $\frac{3}{32}$ "	"	200 "	"	†0 1 9	
7090	$\frac{5}{16}$ " x $\frac{1}{8}$ "	"	200 "	"	†0 2 6	
7091	$\frac{3}{8}$ " x $\frac{3}{32}$ "	"	10 "	"	†0 1 9	
7092	$\frac{3}{8}$ " x $\frac{1}{8}$ "	"	600 "	"	†0 2 9	
7093	$\frac{7}{16}$ " x $\frac{1}{8}$ "	"	150 "	"	†0 2 9	
7094	$\frac{1}{2}$ " x $\frac{1}{8}$ "	"	1000 "	"	†0 3 6	
7095	$\frac{1}{2}$ " x $\frac{3}{16}$ "	"	50 "	"	†0 5 9	
7096	$\frac{5}{8}$ " x $\frac{1}{8}$ "	"	400 "	"	†0 3 6	
7097	$\frac{3}{4}$ " x $\frac{3}{16}$ "	"	500 "	"	†0 9 3	
7098	$\frac{7}{8}$ " x $\frac{3}{16}$ "	"	100 "	"	†0 11 0	
7099	$1\frac{1}{4}$ " x $\frac{1}{4}$ "	"	5 "	"	†1 5 3	
7100	$1\frac{1}{4}$ " x $\frac{7}{16}$ "	"	5 "	"	†3 2 9	
7101	$1\frac{3}{4}$ " x $\frac{3}{8}$ "	"	20 "	"	†4 5 0	
7102-7109	—Nil					

† Less 60% trade discount.

**TOOL STEEL, ETC.**

(Schedule No. 209)

(1st July, 1946, to 30th June, 1948)

Item No.	Description	Country of Manuf're	Estimated Requirements	Rate per	Rate			Name of Contractor
					£	s.	d.	
7120	Steel, carbon, flat, for welded boiler tube ferrules, 40% to 50% carbon, 1½" wide x 8 gauge, in trade lengths, to specification, "Duraflex"	N.S.W.	300 cwt.	cwt.	0	17	6	The Eagle & Globe Steel Co. Ltd.
	Steel, nickel, round, for case hardening, 3% nickel, in trade lengths, to specification, "Description C. H. 61," "Nycase"—							
7121	⅝" to 1" diameter, advancing by ⅛", as ordered	"	5 "	"	2	5	6	
7122	1½" to 2¼" diameter, advancing by ⅛", as ordered	"	20 "	"	2	5	6	
7123	Steel, nickel, round, not for case hardening, 3% nickel, to B.S.S. 970, E.N. 21 B., 1½" to 2¼" diameter, advancing by ⅛", as ordered, in trade lengths, "Nyval"	"	20 "	"	2	5	6	Commonwealth Steel Co. Ltd.
	Steel, tool, alloy, round, for sates and punches, in trade lengths, to specification, "Description A.71," "Comsteel 3½ NS"—							
7124	½" diameter ... ..	"	100 "	"	1	3	19 0	
7124A	⅝" " ... ..	"		"	1	3	16 0	
7124B	¾" to 1½" diameter, advancing by ⅛", as ordered	"		"	1	3	9 0	
	Steel, tool, alloy, round, for hand, pneumatic and bar chisels, oil hardening, non-tempering, in trade lengths, to specification, "Description A.71," "Comsteel 3½ NS"—							
7125	¾" diameter ... ..	"	10 "	"	1	3	9 0	
7126	⅞" diameter ... ..	"	30 "	"	1	3	9 0	
	Steel, tool, carbon, round, in trade lengths, to specification, "Description C.9," "Comsteel DSCO 9"—							
7127	⅝" diameter ... ..	"	20 "	"	1	5	18 4	
7127A	½" diameter ... ..	"		"	1	5	13 8	
7127B	⅝" to 2⅝" diameter, advancing by ⅛", as ordered	"		"	1	5	4 4	
7128	2¼" or 3" diameter, as ordered	"		"	1	5	13 8	
7128A	3¼", 3½", 3¾", or 4" diameter, as ordered	"	"	1	5	18 4	Nil	
	Steel, tool, chrome, round for tube expander mandrels and rollers, in trade lengths, to specification, "Description M.55," "Comsteel C.D."—							
7129	⅝" to 1½" diameter, advancing by ⅛", as ordered	"	10 "	lb.	1	0		2 8
7130	Any other trade size ... ..	"	"	"	"	"	"	
	Steel, tool, .57% to .63% carbon, .60% max. manganese, in trade lengths, to specification, "Description F.41," "Monitor"—							
	Round—							
7131	½" to 3" diameter, advancing by ⅛", as ordered	"	200 "	cwt.	1	1	8	The Eagle & Globe Steel Co. Ltd.
7132	3⅝" or 3¾" diameter, as ordered	"		"	"	1	2	
	Octagon—							
7133	1⅝" or 1¾", as ordered	"	80 "	"	1	1	8	

⌘ { Items Nos. 7124 to 7126—Plus quantity extras as per list "C," if applicable, then less 10% trade discount.  
 ⌘ { Items Nos. 7127 to 7129—Plus quantity extras as per list "A," if applicable, then less 12½% trade discount.

TOOL STEEL, ETC.—continued.

Item No.	Description	Country of Manuf're	Estimated Requirements	Rate per	Rate £ s. d.	Name of Contractor
7134	Steel, tool, .57% to .63% carbon, .60% max. manganese, for drop hammer dies, square billets, in trade lengths, to specification, "Description F.41," "Monitor"— Square, 5" ... ..	N.S.W.	10 tons	cwt.	0 17 2	The Eagle & Globe Steel Co. Ltd.
7135	" " 7" ... ..	"	10 "	"	0 17 2	
7136	" " 10" ... ..	"	20 "	"	0 17 2	
7137	Steel, tool, round, for pneumatic snaps, in trade lengths, to specification, "Description M.56A"— $\frac{1}{2}$ " diameter, "Firth-Brown"	U.K.	10 cwt.	"	7 1 9	William Adams & Co. Ltd.
7137A	$\frac{5}{8}$ " to 2 $\frac{1}{2}$ " diameter, advancing by $\frac{1}{8}$ ", as ordered, "Firth-Brown"	"		"	7 1 9	
7138	Steel, tool, flat, for shear blades, in trade lengths, to specification, "Description M.52," "Comsteel BCT"— 2" x $\frac{1}{2}$ " ... ..	N.S.W.	25 "	lb.	120 0 11	Commonwealth Steel Co. Ltd.
7139	4" x 1" or 4 $\frac{1}{2}$ " x 1", as ordered ... ..	"		"	120 1 0	
7139A	5" x 1 $\frac{3}{8}$ " ... ..	"		"	120 0 11	
7140	Any other trade size ... ..	...	...	...	...	Nil
7141	Steel, tool, round, for taps, 1.0—1.2% carbon, 1.0—2.0% tungsten, manganese .30%, max. in trade lengths, to specification, "Description M.57A"— $\frac{3}{4}$ " to 1 $\frac{1}{2}$ " diameter, advancing by $\frac{1}{8}$ ", as ordered, "Gillott HCLT"	U.K.	8 "	cwt.	7 7 0	Abel, Lemon & Co. Pty. Ltd.
7142	Any other trade size ... ..	...		...	...	
7143	Steel, tool, tungsten, high speed, 18% tungsten, in trade lengths, to specification, "Description H.S.21B"— Flat— 1" x $\frac{5}{8}$ " "Special Echo" ... ..	U.K.	5 "	lb.	0 4 10 $\frac{1}{2}$	Coates & Co. Pty. Ltd.
7143A	1" x $\frac{5}{8}$ " "Comsteel W18" ... ..	N.S.W.		"	120 6 0	
7144	1" x $\frac{3}{4}$ " "Special Echo" ... ..	U.K.	10 "	"	0 4 10 $\frac{1}{2}$	Coates & Co. Pty. Ltd.
7144A	1" x $\frac{3}{4}$ " "Comsteel W18" ... ..	N.S.W.		"	120 6 0	
7145	1 $\frac{1}{8}$ " x $\frac{3}{8}$ " " " " ... ..	"	10 "	"	120 6 3 $\frac{3}{4}$	Commonwealth Steel Co. Ltd.
7146	1 $\frac{1}{4}$ " x $\frac{3}{4}$ " "Special Echo" ... ..	U.K.	5 "	"	0 4 10 $\frac{1}{2}$	Coates & Co. Pty. Ltd.
7146A	1 $\frac{1}{4}$ " x $\frac{3}{4}$ " "Comsteel W18" ... ..	N.S.W.		"	120 6 0	
7147	1 $\frac{1}{4}$ " x $\frac{7}{8}$ " "Special Echo" ... ..	U.K.	5 "	"	0 4 10 $\frac{1}{2}$	Coates & Co. Pty. Ltd.
7147A	1 $\frac{1}{4}$ " x $\frac{7}{8}$ " "Comsteel W18" ... ..	N.S.W.		"	120 6 0	
7148	1 $\frac{1}{2}$ " x 1" "Special Echo" ... ..	U.K.	10 "	"	0 4 10 $\frac{1}{2}$	Coates & Co. Pty. Ltd.
7148A	1 $\frac{1}{2}$ " x 1" "Comsteel W.18" ... ..	N.S.W.		"	120 6 0	
7149	1 $\frac{1}{2}$ " x 1 $\frac{1}{4}$ " "Special Echo" ... ..	U.K.	10 "	"	0 4 10 $\frac{1}{2}$	Coates & Co. Pty. Ltd.
7149A	1 $\frac{1}{2}$ " x 1 $\frac{1}{4}$ " "Comsteel W18" ... ..	N.S.W.		"	120 6 0	

† Items Nos. 7138 to 7139A—Plus quantity extras as per list "A," if applicable, then less 12 $\frac{1}{2}$ % trade discount.  
 ‡ Items Nos. 7143A to 7149A—Plus quantity extras as per list "B" (Commonwealth Steel Co. Ltd. only) if applicable, then less 10% trade discount.

TOOL STEEL, ETC.—continued.

Item No.	Description	Country of Manuf're	Estimated Requirements	Rate per	Rate			Name of Contractor	
					£	s.	d.		
	Steel, tool, tungsten, high speed, 18% tungsten, in trade lengths, to specification, "Description H.S. 21B"—continued—								
	Flat—continued								
7150	2" x 1½" "Special Echo" ...	U.K.	5 cwt.	lb.	0	4	10½	Coates & Co. Pty. Ltd.	
7150A	2" x 1½" "Comsteel W18" ...	N.S.W.							
7151	2½" x 1½" "Special Echo" ...	U.K.	3 "	"	0	4	10½	Coates & Co. Pty. Ltd.	
7151A	2½" x 1½" "Comsteel W18" ...	N.S.W.							
7152	3" x 1¼" "Special Echo" ...	U.K.	5 "	"	0	4	10½	Coates & Co. Pty. Ltd.	
7152A	3" x 1¼" "Comsteel W18" ...	N.S.W.							
7153	3" x 1½" "Special Echo" ...	U.K.	5 "	"	0	4	10½	Coates & Co. Pty. Ltd.	
7153A	3" x 1½" "Comsteel W18" ...	N.S.W.							
7154	1½" x ¼" "Special Echo" ...	U.K.	20 "	"	0	4	10½	Coates & Co. Pty. Ltd.	
7155	1½" x ¼", or 2¼" x 1¼", as ordered, "Special Echo" ...	"							
7155A	1½" x ¼", or 2½" x 1¼", as ordered, "Comsteel W18" ...	N.S.W.			1	0	6	0	Commonwealth Steel Co. Ltd.
	Round—								
7156	¼" diameter, "Atlas" ...	Canada	30 "	"	0	5	6½	Westcott Hazell Eng. & Steel Pty. Ltd.	
7157	⅜" diameter, "Atlas" ...	"							
7158	⅜" or ⅞" dia., as ordered "Atlas" ...	"							
7158A	⅜" or ⅞" dia., as ordered, "Comsteel W18" ...	N.S.W.			1	0	6	7½	Commonwealth Steel Co. Ltd.
7159	½" to 2¼" diameter, advancing by ⅛", as ordered, "Special Echo" ...	U.K.			0	4	10½	Coates & Co. Pty. Ltd.	
7159A	½" to 2¼" diameter, advancing by ⅛", as ordered, "Comsteel W18" ...	N.S.W.			1	0	6	0	Commonwealth Steel Co. Ltd.
7160	3" diameter, "Atlas" ...	Canada			0	5	1½	Westcott Hazell Eng. & Steel Pty. Ltd.	
7160A	3" diameter, "Comsteel W18" ...	N.S.W.			1	0	6	3½	Commonwealth Steel Co. Ltd.
7160B	3⅛" to 4⅞" diameter, advancing by ⅛", as ordered, "Comsteel W18" ...	"			1	0	6	3½	Commonwealth Steel Co. Ltd.
	Square—								
7161	⅝" to 1½", advancing by ⅛", as ordered, "Special Echo" ...	U.K.	10 "	"	0	4	10½	Coates & Co. Pty. Ltd.	
7161A	⅝" to 1½", advancing by ⅛", as ordered, "Comsteel W18" ...	N.S.W.							
7162	1½" to 2", advancing by ¼", as ordered, "Special Echo" ...	U.K.	5 "	"	0	4	10½	Coates & Co. Pty. Ltd.	
7162A	1½" to 2", advancing by ¼", as ordered, "Comsteel W18" ...	N.S.W.							
7162B	2¼" to 2½", as ordered, "Special Echo" ...	U.K.			0	4	10½	Coates & Co. Pty. Ltd.	
7163-7166	Nil								

‡ Items Nos. 7150A to 7162A—Plus quantity extras as per list "B", (Commonwealth Steel Co. Ltd. only). if applicable, then less 10% trade discount.



**CLOTH OVERCOATS**

(Schedule No. 212)

(1st July, 1946, to 30th June, 1948)

Item No.	Description	Country of Manuf're	Estimated Requirements	Rate per	Rate £ s. d.	Name of Contractor
	Overcoats, cloth, to specification, any size ordered—					
*7180	Single Breasted, to sample No. 1 (worn by Goods Guards, Electric Suburban Guards, Electric Train Drivers, Rail Motor Drivers, Tram Conductors and Tram Motormen)	Vict.	500	each	3 10 0	John Cohen & Co. Pty. Ltd.
*7181	Single Breasted, to sample No. 2 (worn by Passenger Guards and Yard Foremen)	"	50	"	3 11 0	
*7182	Double Breasted, British warm type, with two faced slits, to sample No. 3 (worn by Ticket Checkers, Porters and Lad Porters)	"	120	"	3 12 6	
*7183	Single Breasted, to sample No. 4 (worn by Female Porters)	"	90	"	3 1 0	
	Allowances for alterations to completed overcoats—					
7184	For shortening or lengthening coat	"	...	"	0 4 6	
7185	For shortening or lengthening sleeves	"	...	pair	0 2 6	

**UNIFORM CAPS.**

(Schedule No. 213.)

(1st July, 1946, to 30th June, 1948).

	Caps, uniform, to specification, any size ordered—					
* { 7190	To sample No. 1 (worn by Stationmasters and Tramway Inspector)	Vict.	200	each	1 7 6	Max Borchardt Pty. Ltd.
7190A	" " " "	"		"	1 5 0	Commonwealth Govt. Clothing Factories
* { 7191	To sample No. 2 (worn by Assistant Stationmasters, Assistant Tramway Inspector, Clerks and Parcels Foremen)	"	200	"	0 11 3	Max Borchardt Pty. Ltd.
7191A	" " " "	"		"	0 11 6	Commonwealth Govt. Clothing Factories
* { 7192	To sample No. 3 (worn by Passenger Guards)	"	30	"	0 11 3	Max Borchardt Pty. Ltd.
7192A	" " " "	"		"	0 11 6	Commonwealth Govt. Clothing Factories
* { 7193	To sample No. 4 (worn by Train Conductors, Head Porters, Senior Porters, Indicator Porters, Leading Porters, Hall Officer, Supervising Tram Motormen, 1st Class Ticket Checkers and Luggage Checkers)	"	60	"	0 11 3	Max Borchardt Pty. Ltd.
7193A	" " " "	"		"	0 11 6	Commonwealth Govt. Clothing Factories
* { 7194	To sample No. 5 (worn by Porters, Goods Guards, Electric Suburban Guards, 2nd class Ticket Checkers, Electric Train Drivers, Rail Motor Drivers, Tram Conductors and Tram Motormen)	"	2000	"	0 10 1	Max Borchardt Pty. Ltd.
7194A	" " " "	"		"	0 10 0	Commonwealth Govt. Clothing Factories

## UNIFORM CAPS—continued.

Item No.	Description	Country of Manufacture	Estimated Requirements	Rate per	Rate			Name of Contractor
					£	s.	d.	
* { 7195	To sample No. 6 (worn by Licensed Luggage Porters)	Vict.	30	each	0	9	10	Max Borchardt Pty. Ltd.
7195A	" " " "							
* { 7196	To sample No. 7 (worn by Motor Omnibus Drivers)	"	20	"	0	11	0	Max Borchardt Pty. Ltd.
7196A	" " " "							
* { 7197	To sample No. 8 (worn by Operating Porters and Porters-in-charge)	"	300	"	0	13	6	Max Borchardt Pty. Ltd.
7197A	" " " "							
* { 7198	To sample No. 9 (worn by Female Porters)	"	250	"	0	11	6	Max Borchardt Pty. Ltd.
7198A	" " " "							

## FELT HATS

(Schedule No. 214)

(1st July, 1946, to 30th June, 1948).

*7200	Hats, felt, to specification, any size ordered	Vict.	1400	each	0	16	0	Coronet Felts Pty. Ltd.
-------	--	-------	------	------	---	----	---	-------------------------

## SPONGE CLOTHS

(Schedule No. 215)

(1st July, 1946, to 30th June, 1948)

	Cloths, sponge, whipped, folded—							
†7210	20" x 18" ... ..	Vict.	5000 gross (see note)	gross	2	10	0	E. J. Whyte Pty. Ltd.
†7211	20" x 28", approx. 21 lbs. per gross	...	Nil	...	...	...	...	

## CHAMOIS SKINS AND CELLULOSE SPONGES.

(Schedule No. 216).

(1st July, 1946 to 30th June, 1948).

†7220	Skins, chamois, "Evasoft," approx. 3½ sq. ft. each	Vict.	400	each	†0	2	9	C. J. Langford
-------	--	-------	-----	------	----	---	---	----------------

† Less 2½% discount for payment by end of month following month of delivery.

## DRAPERY, ETC.

(Schedule No. 217)

(1st July, 1946, to 30th June, 1948)

Item No.	Description	Country of Manuf're	Estimated Requirements	Rate per	Rate			Name of Contractor
					£	s.	d.	
†7231	Blanketing, dark grey, 63" wide ...	Vict.	1000 lbs.	lb.	0	4	0	Penal & Gaols Dept.
†7232	Blocks, felt, 8" x 3" x $\frac{7}{8}$ " ...	N.S.W.	2000	each	†0	2	0	Felt & Textiles of Aust. Ltd.
*†7233	Buttons, clinch, steel, black, 1 $\frac{1}{4}$ ", without washers	Vict.	500 gross	gross	0	18	0	} Stokes & Sons Pty. Ltd.
*†7234	Buttons, metal, black, large ...	"	1000 "	"	0	12	0	
†7236	Calico, unbleached, 36" wide, for French polishing	U.K.	750 "	l. yd.	0	0	10 $\frac{3}{4}$	Hicks, Atkinson & Sons Pty. Ltd.
†7244	Felt, vermin proof, mounted on hessian, $\frac{3}{4}$ " thick, 72" wide	Vict.	100 lin. yds.	l. yd.	0	7	6	Federal Felters Pty. Ltd.
†7245	Felt, white, approx. 50" wide, any length ordered, $\frac{3}{8}$ ", $\frac{1}{2}$ ", $\frac{3}{4}$ ", $\frac{1}{2}$ ", $\frac{5}{8}$ ", $\frac{3}{4}$ " or 1" thick, as ordered	N.S.W.	2000 lbs.	lb.	†0	6	6	Felt & Textiles of Aust. Ltd.
†7252	Paper, felt, linoleum, 72" wide, in rolls 50 yds. long	Vict.	50 rolls	roll	†1	19	6	} Australian Paper Manufacturers Ltd.
†7253	Textile, black, 50" wide, Fabrex "Leather-cloth", "D" quality, shade 70, grain R 33 (see note)	"	500 lin. yds.	l. yd.	0	7	6	
†7254	Textile, green, 50" wide, Fabrex "Leather-cloth", E.M. quality, grain R. 33, bright finish, shade 2156 (see note)	"	288 "	"	0	6	3	} Imperial Chemical Industries of A. & N.Z. Ltd. (Fabrex Division).
†7255	Towels, sanitary, in cartons, 1 $\frac{3}{4}$ " diameter x 3" long, with pasted turn-in edges, "Pincbak"	Vict.	1000 doz.	doz.	0	2	5	
†7258	Wadding, cotton, in rolls approx. 5 $\frac{1}{2}$ lbs. x 36" wide x 12 yards long Unbleached ...	Vict.	300 ...	lb.	†0	1	3	R. S. Johnston & Co.

† Less 2 $\frac{1}{2}$ % discount for payment by end of month following month of delivery.

## OFFICE CHAIRS.

(Schedule No. 218.)

(1st July, 1946, to 30th June, 1948).

†7270	Chairs, office, revolving, steel, "Bendix Model C.404." to specification (see notes)	Vict.	100	each	2	3	7	Bendix Steel Chair Co.
-------	--	-------	-----	------	---	---	---	------------------------

**PENCILS**

(Schedule No. 219)

(1st July, 1946, to 30th June, 1948)

Item No.	Description	Country of Manuf're	Estimated Requirements	Rate per	Rate £ s. d.	Name of Contractor	
	Pencils, colored, thick core—						
†7280	Black, "Black Prince" ...	N.S.W.	24 gross	gross	0 17 11 <sup>3</sup> / <sub>4</sub>	} Edwards Dunlop & Co. Ltd.	
†7281	Blue, "Aristoc" ...	"	120 "	"	0 17 3 <sup>1</sup> / <sub>2</sub>		
	Pencils, copying—						
†7282	Hard, "Iron Duke" ...	"	10 "	"	1 2 10 <sup>1</sup> / <sub>2</sub>		
†7283	Blue, "Tinto Rex" ...	"	20 "	"	1 4 6	} R. E. Mustow	
†7284	Green " ...	"	15 "	"	1 4 6		
†7285	Red " ...	"	24 "	"	1 4 6		
	Pencils, drawing, "Leo Rex"—						
†7286	HB ...	"	10 "	"	0 17 3	} R. E. Mustow	
†7287	F ...	"	20 "	"	0 17 3		
†7288	3H ...	"	20 "	"	0 17 3		
	Pencils, office—						
†7289	B, "Alexandra" ...	"	30 "	"	0 12 0	} R. E. Mustow	
†7290	2B " ...	"	10 "	"	0 12 0		
†7291	H, moderately hard, "Alexandra" ...	"	200 "	"	0 12 0		
†7293	2H, to take 5 carbons, "Alexandra" ...	N.S.W.	40 "	gross	0 12 0		

**ARSENITE OF SODA, LIQUID**

(Schedule No. 220)

(1st July, 1946, to 30th June, 1948)

7300	Weed Killer, Arsenite of Soda, liquid, in 5 gallon drums, to specification	Vict.	600 tons	ton	33 0 0	Victor Leggo & Farmers Ltd.
7300A	" " " " ...	"	600 "	"	33 0 0	Hart & Co. Pty. Ltd.

**CHLORATE LIQUID WEEDKILLER**

(Schedule No. 221)

(1st July, 1941, to 30th June, 1942)

Item No.	Description	Country of Manuf're	Estimated Requirements	Rate per	Rate			Name of Contractor
					£	s.	d.	
7310	Weedkiller, chlorate liquid, to specification, "Weedex Liquor"	Vict.	30,000 units	unit	0	13	3	Imperial Chemical Industries of A. & N.Z. Ltd. (Chemical Division)

**TERNEPLATE DRUMS**

(Schedule No. 222)

(1st July, 1946, to 30th June, 1948)

†7320	Drums, terneplate, 22 gauge, 5-gallon, to specification, for arsenite of soda	Vict.	10,000	each	0	5	9	Dixon Drum & Can Co. Pty. Ltd.
-------	---	-------	--------	------	---	---	---	--------------------------------

**PARTS FOR ELECTRIC SAFETY CAP LAMPS**

(Schedule No. 223)

(1st July, 1946, to 30th June, 1948)

Parts for "NIFE" electric safety cap lamps—								
7330	Bodies, magnetic lock, part No. 3303	...	Nil	...	...	...	...	...
*7331	Bulbs, clear, part No. 1004, "Philips" (see notes)	U.K.	1000	each	0	1	5½	Lawrence & Hanson Electrical Pty. Ltd.
7332	Caustic Potash, chemically pure, in 28 lb. tins	..	112 lbs.	tin	4	11	0	Masse Batteries (Vic.) Pty. Ltd.
7359	Sleeves, terminal, part No. 2004	... N.S.W.	50 doz.	dozen	0	2	8	} Masse Batteries (Vic.) Pty. Ltd.
*7360	Sockets, cable, part No. 2003	... ..	50 ..	..	0	1	7	

**SAWN TIMBER**

(Schedule No. 224)

(1st July, 1946, to 30th June, 1948)

Item No.	Description	Country of Manuf're	Estimated Requirements	Rate per	Rate f s. d.	Name of Contractor	
	<b>Hoop Pine, sawn, to specification, as ordered, in random lengths—(see note)</b>						
7380	12" wide x 1" or 1¼" thick	Q'land	Super feet of 1" thick 20,000	100 sup. ft. of 1" thick	£3 18 6	John Sharp & Sons Pty. Ltd.	
7381	12" " x 1½" or 2" "	"		£4 0 6			
7382	14" " x 1" or 1¼" "	"		£3 19 6			
7383	16" " x 1" or 1¼" "	"		£4 1 6			
7384	16" " x 1½" or 2" "	"		£4 3 6			
7385	18" " x 1" or 1¼" "	"		£4 4 6			
7386	18" " x 1½" or 2" "	"		£4 6 6			
	<b>Kauri, Queensland, sawn, to specification, as ordered, in random lengths—(see note)</b>						
7387	12" wide x 1" thick	"	10,000		£4 2 6		
7388	12" " x 1¼" "	"		£4 3 0			
7389	12" " x 1½" "	"		£4 3 6			
7390	12" " x 2" "	"		£4 4 6			
7391	14" " x 1" "	"		£4 3 6			
7392	14" " x 1¼" "	"		£4 4 0			
7393	16" " x 1" "	"		£4 4 0			
7394	16" " x 1¼" "	"		£4 4 6			
7395	18" " x 1" "	"		£4 9 6			
7396	18" " x 1¼" "	"		£4 10 0			
7397	24" " x 1" "	"	£5 8 9				
7398	24" " x 1¼" "	"	£5 9 3				
7399	24" " x 1½" "	"	£5 9 9				
7400	24" " x 2" "	"	£5 10 9				

⚡ Rates plus 2½%.

**CARBON BRUSHES.**

(Schedule No. 228)

(1st July, 1946, to 30th June, 1948)

Item No.	Description	Country of Manufacture	Estimated Requirements	Rate per	Rate £ s. d.	Name of Contractor
	<b>Brushes, Carbon, to specification—</b>					
*7470	Sample No. 1—drawing No. F1763A (for AC slip rings of Siemens rotary converters, 3000, 1500 and 750 k.w.) "ACC/AC.5A"	Vict.	200	each	0 10 1	H. R. Hill & Sons Pty. Ltd.
*7471	Samples No. 2A or 2B—drawing No. F256C or F1765B (for commutators of Siemens rotary converters, 3000, 1500 and 750 k.w.) "EG14/2"	N.S.W.	700	"	0 4 6	H. Rowe & Co. Pty. Ltd.
*7472	Sample No. 3A—drawing No. F1766A (for AC slip rings of Metropolitan-Vickers rotary converters, 2250 k.w.) "Acheson Graphite"	"	200	"	0 7 1	} O. H. O'Brien (Melb.)
*7473	Sample No. 4—drawing No. F1642D (for commutators of Metropolitan-Vickers rotary converters, 2250 k.w.) "HM3"	"	1000	"	0 3 8	
*7474	Sample No. 5B—drawing No. F1772A (for AC slip rings of Metropolitan-Vickers rotary converters, 525 k.w.) "Acheson Graphite"	"	100	"	0 6 0	
*7475	Sample No. 6—drawing No. F1640A (for commutators of Metropolitan-Vickers rotary converters, 525 k.w.) "EG12"	"	50	"	0 8 7	
*7476	Sample No. 7—drawing No. F1778B (for AC slip rings of General Electric rotary converters, 2250 k.w.) "CM6994"	"	50	"	0 18 0	} H. Rowe & Co. Pty. Ltd.
*7477	Sample No. 8A—drawing No. F2392 (for commutators of General Electric rotary converters, 2250 k.w.) "EG14K"	"	100	"	0 5 8	
*7478	Sample No. 9—drawing No. F1780A (pilot brushes of General Electric rotary converters, 2250 k.w.) "NCC/SA.45"	Vict.	12	"	0 2 3	H. R. Hill & Sons Pty. Ltd.
*7479	Sample No. 10—drawing No. F1663B (for AC slip rings of British Thompson Houston rotary converters, 1000 and 4500 k.w.) "ACC/AC.5A."	Vict.	200	each	0 9 4	H. R. Hill & Sons Pty. Ltd.
*7480	Sample No. 11A—drawing No. F1666A (for commutators of British Thompson Houston rotary converters, 1000 and 4500 k.w.) "EG14/2"	N.S.W.	200	"	0 8 10	} Lawrence & Hanson Electrical Pty. Ltd.
*7481	Sample No. 16—drawing No. F1791B (for commutators of motor generator sets, 5 k.w.) "EG12"	"	12	"	0 3 2	
*7482	Sample No. 23A or 23B—drawing No. F1554B (for commutators of British Thompson Houston rotary converters, 3000 k.w.) "EG14/2"	"	200	"	0 4 9	O. H. O'Brien (Melb.)
*7483	Sample No. 101A—drawing No. F2371 (for AC slip rings of turbo alternator sets at Newport Power Station) "HM6"	"	150	"	0 7 4	} Lawrence & Hanson Electrical Pty. Ltd.
*7484	Sample No. 104A—drawing No. F1937 (for excitors of turbo alternator sets at Newport Power Station) "Link 1"	"	10	"	0 4 5	
7485-7489	Nil					

## DIXIE CUPS AND FIBRE CARTONS.

(Schedule No. 231)

(1st July, 1946, to 30th June, 1948)

Item No.	Description	Country of Manuf're	Estimated Requirements	Rate per	Rate £ . s. d.	Name of Contractor
	Cartons, solid fibre, printed in red—					
*7511	·80 —1 jute, 9½" square x 13¾" deep	Vict.	2000	each	†0 0 10⅜	} Corrugated Fibre Container Pty. Ltd.
*7512	·100—1 jute, 14" long x 10" wide x 13¾" deep	"	1500	"	†0 1 3½	
*7513	·100—1 jute, 19" long x 9½" wide x 13¾" deep	"	1500	"	†0 1 5⅜	
*7514	·100—2 jute, 19" long x 9½" wide x 13¾" deep	"	1000	"	†0 1 6⅜	
7515-7519	—Nil					

† Less 3½% discount for payment within 10 days of date of receipt of invoice, or 2½% for payment by end month following month of delivery. (See note).

## GOGGLES, RESPIRATORS, ETC.

(Schedule No. 232)

(1st July, 1946, to 30th June, 1948)

*7520	Discs, glass, clear, for "Duralux" welding goggles, 44 mm. dia. x 12-oz. glass, not exceeding ⅛" thick, to gauge supplied by the Corporation	N.S.W.	300	each	0 0 2½	} Protector Goggle Co.
*7521	Discs, glass, clear, for "Duraweld" welding goggles, 50 mm. dia. x 12-oz. glass, not exceeding ⅛" thick, to gauge supplied by the Corporation	"	150	"	0 0 2½	
*†7522	Glasses, cover, plain, protection, for arc welders' screen glasses, 4¼" x 2" x 21 oz. "Shield"	"	7000	dozen	{ 0 0 9 {f.o.r. Sydney	L. G. Robinson & Co.
*7523	Glasses, screen, 4¼" x 2", to specification, for electric welders, "Protex"	U.K.	400	each	0 2 6	Gilbert Lodge & Co. Pty. Ltd.
*7526	Lenses, laminated glass, for spectacle type goggles, 47 mm. dia. x ¼" thick, to gauge supplied by the Corporation, "Triplex"	Vict.	250	each	0 1 9	Protector Goggle Co.
*7527	Lenses, motor dust goggle, to gauge supplied by the Corporation "Shield No. 35c"— Clear	N.S.W.	1200	each	0 0 2	} F. W. Green & Co. Pty. Ltd.
*7528	Green	"	350	"	0 0 8	
†7529	Lenses, protective, colored, to specification, for oxy-acetylene welders— 45 mm. dia. x not exceeding 2 mm. thick, to fit "Duralux" goggles	...	Nil	...	...	
†7530	50 mm. dia. x not exceeding 2 mm. thick, to fit "Duraweld" goggles, "Protex"	U.K.	25	each	0 1 11	Gilbert Lodge & Co. Pty. Ltd.



**BICYCLE ACCESSORIES**

(Schedule No. 234)

(1st July, 1946, to 30th June, 1948)

Item No.	Description	Country of Manuf're	Estimated Requirements	Rate per	Rate			Name of Contractor
					£	s.	d.	
7540	Axles, back, fixed wheel, "Hobson" ...	N.S.W.	36	each	†0	1	10	} Finlay Bros. Moort Cycles Pty. Ltd.
7541	Axles, Eadie free wheel, with screw collars, "Hobson"	"	36	"	†0	1	6	
7542	Axles, front, complete, for fixed or free wheel, "Hobson"	"	60	"	†0	1	2	
7543	Bells, "Adie & Nephew" ...	U.K.	60	"	†0	1	7	
7544	Brakes, hand, rear wheel, "Jem" ...	Vict.	24	"	†0	8	0	
7545	Chains, $\frac{1}{2}$ " x $\frac{1}{8}$ ", "Coventry" ...	U.K.	36	"	†0	3	5	
7546	Chains, $\frac{1}{2}$ " x $\frac{3}{16}$ ", " " ...	"	72	"	†0	3	5	
7547	Connections, pump, "Bradco" ...	Vict.	84	"	†0	0	9	
7548	Generators, electric light, "Nite Rider"	"	36	"	†0	12	8	
7549	Guards, mud, front wheel, "South East"	"	6	"	†0	1	9	
7550	Guards, mud, rear wheel, " " "	"	24	"	†0	2	0	
7551	Outfits, repair, "Leggetts" ...	"	108	"	†0	0	5 $\frac{1}{2}$	
7553	Pumps and connections, "Davis" ...	South Aust.	108	each	†0	5	9	
7554	Saddles, "Bell" ...	N.S.W.	60	"	†0	8	11	
7555	Sets, electric light, complete, "Federal"	Vict.	24 sets	set	†1	0	0	

† Less 2 $\frac{1}{2}$ % discount for payment within 7 days of date of receipt of invoice.**BAGS, JUTE (Second Hand)**

(Schedule No. 235)

(1st July, 1946, to 30th June, 1948)

†7570	Bags, corn sacks, second-hand, suitable for bagging coal	...	4500 doz.	doz.	0	5	3	Mundell & Co.
†7571	Bags, sugar, "No. 2", 70-lb., second-hand, suitable for bagging bolts, etc.	...	5000 "	"	0	4	6	Walter Cant





VICTORIA  
GOVERNMENT GAZETTE.

Published by Authority.

[Registered at the General Post Office, Melbourne, for transmission by post as a newspaper.]

No. 185]

WEDNESDAY, OCTOBER 2.

[1946

*Land Act 1928.*

AREAS OF LANDS COMPRISED IN CERTAIN CLASS DIMINISHED.

PROCLAMATION

By His Excellency the Lieutenant-Governor of the State of Victoria and its Dependencies in the Commonwealth of Australia, &c., &c., &c.

WHEREAS by the *Land Act 1928* it is amongst other things enacted that the Governor in Council may, by Proclamation to be published in the *Government Gazette*, at any time diminish or increase the area of land comprised in any of the classes mentioned in Part I., Division 1, section 5, of the said *Land Act 1928*, but that the area of lands which may be sold by auction (Class 6) shall not be increased except as in certain cases in the said Act provided: Now therefore I, the Lieutenant-Governor of the State of Victoria, in the Commonwealth of Australia, by and with the advice of the Executive Council of the said State, and in accordance with the provisions of sections 94 and 117 of the *Land Act 1928* aforesaid, do hereby diminish the areas of Crown lands comprised in Class 8 of the classes mentioned in section 5 of the *Land Act 1928* aforesaid to the extent set forth in the subjoined Schedule (that is to say):—

Schedule referred to.

CLASS DIMINISHED.

County.	Parish.	Allotment.	Section.	Area.	Diminished.	Description.
					Class.	
Moira .. ..	Killawarra ..	39D	..	A. R. P. 3 0 0	8	On Spring Creek. H.017518

Given under my Hand and the Seal of the State of Victoria aforesaid, at Melbourne, this twenty-fourth day of September, in the year of our Lord One thousand nine hundred and forty-six, and in the tenth year of the reign of His Majesty King George VI.

(L.S.)

E. F. HERRING.

By His Excellency's Command,

L. W. GALVIN,  
Commissioner of Crown Lands and Survey.

GOD SAVE THE KING!

## APPOINTMENTS.

HIS Excellency the Lieutenant-Governor of the State of Victoria, by and with the advice of the Executive Council thereof, has, by Orders made on the 24th day of September, 1946, been pleased to make the following appointments, viz.:—

## DEPARTMENT OF AGRICULTURE.

*Senior Dairy Supervisor.*

ALBERT HECTOR HENRY  
to be a Senior Dairy Supervisor, General Division; a vacancy having occurred, and the Public Service Board having certified, on the 26th August, 1946, that an appointment is required, that there is no person available and fit in the Public Service to be promoted or transferred to fill the vacant office, and that the person named is entitled, under the provisions of the *Public Service Act 1928*, to be appointed to fill such vacancy on probation for six months, to date from and inclusive of the 7th January, 1946.

## DEPARTMENT OF CHIEF SECRETARY.

*Electoral Registrar.*

DANIEL FOGARTY  
to be Electoral Registrar for the Canterbury Subdivision of the Electoral District of Box Hill; for the Camberwell Subdivision of the Electoral District of Camberwell; for the Glen Iris Subdivision of the Electoral District of Glen Iris; for the Auburn Subdivision of the Electoral District of Hawthorn; for the Balwyn and Kew North Subdivisions of the Electoral District of Ivanhoe; and for the Deepdene and Kew Subdivisions of the Electoral District of Kew, to take effect on and from 5th August, 1946, *vice* Leo Stanislaus Rice, resigned.

*Assistants to the Inspector of Fisheries.*

OSTLE THEODORE DEPPELER,  
LESLIE FRANCIS NUTTALL,  
JOSEPH DAVID FARNSWORTH,  
ERIC JOHN BROCK,  
KEITH RIX OATAWAY,  
HENRY THOMAS TRUGEMAN,  
HENRY ERNEST KLEES, and  
EPHRIAM BANKS,  
pursuant to the provisions of the Fisheries Acts, to be Assistants to the Inspector of Fisheries.

*Examiners of Warders.*

ALEXANDER RUSSEL WHATMORE, Deputy Inspector-General of Penal Establishments, and  
ERIC JOHN ALLISON, Deputy Governor, Pentridge,  
to be Examiners to conduct the examination of Warders in the Penal Department, held pursuant to the provisions of the Public Service Regulations.

*Officer in Charge (Acting) of Prison Camp.*

FREDERICK JOHN SMITH  
to be Officer in Charge (acting) of the Cooriemungle Prison Camp, from the 26th September, 1946, to the 2nd October, 1946, both dates inclusive, during the absence on leave of Reginald John Souter.

*Registrar of Births and Deaths.*

MATTHEW LAURENCE BYRNE,  
pursuant to the provisions of the *Registration of Births Deaths and Marriages Act 1928*, to be a Registrar of Births and Deaths for the Metropolitan Registration District, without fees, *vice* James Alexander Dingwall, resigned.

(Published in lieu of the appointment of Matthew Lawrence Byrne, appearing in the Order of 3rd September, 1946.)

## DEPARTMENT OF HEALTH.

*Government Representative on Committee of Management of Hospital.*

THOMAS FORRISTAL  
to be a Government Representative on the Committee of Management of the Preston and Northcote Community Hospital.

*Members of Dietitians Registration Board.*

ROY DOUGLAS WRIGHT, M.B., B.S., F.R.A.C.S., F.R.A.C.P.,  
to be a Member of the Dietitians Registration Board, appointed under section 3 (2) (a) of the Dietitians Registration Act (No. 4942), for a period of three years, from and inclusive of 29th September, 1946; and

JESSICA ELIOTT  
to be a Member of the Dietitians Registration Board, appointed under section 3 (2) (b) of the Dietitians Registration Act (No. 4942), for a period of three years, from and inclusive of 29th September, 1946.

*Dentist, Mental Hygiene Branch.*

ARTHUR COPPIN  
to be a Dentist, Class "B," Professional Division, Mental Hygiene Branch; a vacancy having occurred, and the Public Service Board having certified, on the 7th August, 1946, that an appointment is required, that there is no person available and fit in the Public Service to be promoted or transferred to fill the vacant office, and that the person named is entitled, under the provisions of the *Public Service Act 1928*, to be appointed to fill such vacancy on probation for twelve months.

*Cook (Female).*

LILLIAN FRANCESCA HOILES  
to be a Cook (Female), General Division, Mental Hygiene Branch; a vacancy having occurred, and the Public Service Board having certified, on the 14th August, 1946, that an appointment is required, that there is no person available and fit in the Public Service to be promoted or transferred to fill the vacant office, and that the person named is entitled, under the provisions of the *Public Service Act 1928*, to be appointed to fill such vacancy on probation for twelve months.

## DEPARTMENT OF LAW.

*Special Magistrate.*

ALEX ROBERT HILL, Police Magistrate, City Court, Melbourne,  
to be also a Special Magistrate to exercise the jurisdiction of the Metropolitan Industrial Court.

*Magistrates.*

WILLIAM PATRICK DUCK, Mailors Flat,  
JOHN FRANCIS FITZGERALD, Woolsthorpe, and  
CHARLES WILLIAM CROSBIE, Wombelano,  
to Keep the Peace in the Western Bailiwick of the State of Victoria;

VERA ETHEL PENELOPE CLEMENS, Kyneton, and  
ALLEN FISHER, Merbein,  
to Keep the Peace in the Midland Bailiwick of the State of Victoria;

LEO WILLIAM GARTLAN, 107 Mentone-parade, Mentone,  
CUTHBERT CECIL JACGUNG, 6 Showers-avenue, Chelsea,  
JACK OWEN EDHOUSE, Cowes,  
ALAN JAMES MURRAY, Cowes,  
WALTER HENRY CROLE, Newhaven, and  
HOWARD BREEDON EVERARD, Wooli Yallock,  
to Keep the Peace in the Central Bailiwick of the State of Victoria;

ERIC GILBERT ROBERTS, Warragul,  
to Keep the Peace in the Eastern Bailiwick of the State of Victoria; and

ARTHUR CLARENCE DEAN WALTER, Violet Town,  
to Keep the Peace in the Northern Bailiwick of the State of Victoria.

*Deputy Clerk of the Peace, &c.*

HENRY VICTOR BOARDER  
to be also Deputy Clerk of the Peace, Registrar of the County Court, Clerk of Petty Sessions, and Clerk of the Children's Court at Korumburra, and Clerk of Petty Sessions and Clerk of the Children's Court at Leongatha and Meeniyan during the absence on annual leave of A. L. Bock, and as Deputy Clerk of the Peace and Registrar of the County Court at Korumburra, to be appointed by virtue of section 92 of the *Juries Act 1928* to do and perform with respect to the Courts at that place, in the place and stead of the Sheriff, all such acts and things as the Sheriff is, by the said Act authorized or required to do or perform, during the absence on annual leave of A. L. Bock.

*Clerks of Petty Sessions, &c.*

THOMAS RONALD DUNLOP  
to be also Clerk of Petty Sessions and Clerk of the Children's Court at Tallangatta, Mitta Mitta, and Walwa, in the place of F. C. Hill, relieved; to be also Clerk of Petty Sessions and Clerk of the Children's Court at Corryong, in the place of R. H. Matthey, resigned, and to be an Assistant Registrar, pursuant to the provisions of sections 20 and 21 of the *County Court Act 1928* for the County Court of Wangaratta, to take effect from the date of commencement of duty;

ALBERT FRANK WOOLLARD  
to be also Clerk of Petty Sessions and Clerk of the Children's Court at Chiltern and Rutherglen, in the place of J. Mills, relieved, to take effect from the date of commencement of duty;

VICTOR ALAN PROPOSCH  
to be also Clerk of Petty Sessions and Clerk of the Children's Court at Violet Town, in the place of G. N. H. Grose, relieved, to take effect from the date of commencement of duty;

JOHN MILLS  
to be also Clerk of Petty Sessions and Clerk of the Children's Court at Yarrowonga, in the place of A. E. Woollard, relieved,

and to be also Clerk of Petty Sessions and Clerk of the Children's Court at Tungamah, in the place of V. A. Proposch, relieved; and

KEVIN ALOYSIUS McDONALD  
to be also Clerk of Petty Sessions at Footscray and Williamstown, during the absence on annual leave of B. I. Griffith.

*Commissioners for Taking Declarations, &c.*

JOSEPH DAWSON, Meat Inspector, Newport Freezing Works, South Newport.  
FREDERICK JAMES ROBERT ELSTON, Meat Inspector, Preston Abattoirs, Preston.  
WILLIAM JOSEPH MORBS, Meat Inspector, William Angliss and Company, Footscray.  
ALFRED PRIDHAM, Meat Inspector, J. C. Hutton Pty. Ltd., Preston.  
SYDNEY ALFRED PRIDHAM, Meat Inspector, Western and Murray Co-operative Meat Packing Company Ltd., Brooklyn.  
PERCIVAL FRANK ROBERT, Meat Inspector, Thos. Borthwick and Sons, Brooklyn.  
RICHARD WILLIAM CADZOW, VX 3673, W.O.I., and MATTHIAS ALPHONSUS McMAHON, V 316920, Staff Sergeant, R.R. and G.D.D. Cash Office, Royal Park, and  
JAMES ALBERT McCORMACK, and CHARLES JOSEPH SITCH, Officers of the Soldier Settlement Commission, Melbourne.

to be Commissioners for taking Declarations and Affidavits, pursuant to the provisions of Division 8 of Part IV. of the Evidence Act 1928, to refrain from charging fees, and to resign upon ceasing to occupy their present positions;

WINIFRED GATES, Representative of the Australian Red Cross Society, Repatriation Hospital, Caulfield,  
to resign upon ceasing to occupy her present position;  
ROBERT STEEL, Newbridge.  
JOHN JOSEPH JONES, 7 Napier-street, Stawell.  
DAVID JOHN WALSH, Byrne-street, Stawell, and  
DERRICK PARKER, Portland,

to be Commissioners for taking Declarations and Affidavits, pursuant to the provisions of Division 8 of Part IV. of the Evidence Act 1928, to resign upon removing from the neighbourhood of the addresses stated; and

VICTOR EDMUND MACKAY, 63 Lee-street, Carlton,  
HENRY CLAUDE LEONARD, 506 Canning-street, Carlton,  
LUCY PLUM, 3 Cochrane-place, Carlton,  
LOUISA READ, 174 Moor-street, Fitzroy,  
MARY ROSAVAL DONOVAN, 140 Brunswick-street, Fitzroy,  
MARY ELLEN JOHNSTON, 22 Atherton-street, Fitzroy.  
MARY WATT, 82 Munster-terrace, North Melbourne,  
EUNICE ELIZABETH JUNE HENDRICKSON, 59 Wanda-road, Caulfield,  
DAISY EMILY CARTER, 14 Victoria-street, Flemington,  
ELIZABETH MARY O'CONNOR, 65 Fainham-street, Flemington,  
MARGARET ALICE HAYES, 1 McCracken-street, Kensington,  
VIOLET MARY VERONICA CASSELLS, 282 Lygon-street, Carlton,  
CATHERINE MARY WARD, 1 Rathdown-street, Carlton,  
ELLEN FLORA GLAVIN, 225 Drummond-street, Carlton,  
MARY EILEEN CLOTILDA GUNN, 117 Drummond-street, Carlton,  
GEORGE HEARN EDWARDS, St. Arnaud,  
GEORGE ARTHUR HUNT, St. Arnaud,  
HERBERT GORDON CITRINE, 306 Station-street, Chelsea,  
FRANCIS MUSGRAVE PEARSON, 37 Golden-avenue, Bon-beach,  
AUGUSTO ERIC COLORETTI, Parker-street, Richmond,  
REGINALD KINGSTON GANSBERG, Merbein,  
ALBERT ERNEST NICE, Merbein, and  
WILLIAM DAVID KNOTT, Nandaly,

to be Commissioners for taking Declarations and Affidavits, pursuant to the provisions of Division 8 of Part IV. of the Evidence Act 1928.

*Sheriff's Bailiffs, &c.*

ARTHUR WILLIAM BOLTON, Senior Constable of Police, Donald,  
to be also a Sheriff's Bailiff and a Bailiff of the County Court at Ballarat, in the place of L. H. Thomas, resigned; and  
JOHN WILLIAM GRIFFITHS, Constable of Police, Cann River,  
to be also a Sheriff's Bailiff and a Bailiff of the County Court and Court of Mines at Sale, in the place of W. F. Sharp, resigned, with fees.

DEPARTMENT OF MINES.

*Acting Mining Surveyor.*

WILLIAM JULIUS MEINHARDT,  
pursuant to the powers conferred by section 130 of the Mines Act 1928, to be Acting Mining Surveyor for all of the Mining Districts of the State of Victoria.

DEPARTMENT OF TREASURER.

*Collectors of Imposts.*

JOHN BERNARD CLARKE  
to be Collector of Imposts, State Rivers and Water Supply Commission, vice W. Lambert; and  
ALLEN PERCIVAL JOHNSTON  
to act as Collector of Imposts, Geelong, for the purpose of collecting fees from tonnage, &c., during the absence of J. P. Brophy on other duties.

*Receiver of Revenue.*

CLAUDE FREDERICK GREHAN  
to act as Receiver of Revenue, Taxation Office, during the absence of D. C. Stevenson on other duties.

DEPARTMENT OF WATER SUPPLY.

*Waterworks Trust Commissioner.*

ERNEST ALFRED EVANS  
to be a Commissioner of the Heathcote Waterworks Trust, vice Ashcroft Derrinal Speed, M.B., B.S., resigned, and to hold office as such from the date hereof until the 22nd July, 1948, subject to the provisions of the Water Acts.

*Senior Ranger.*

PERCY GORDON OAKLEY  
to be a Senior Ranger, General Division; a vacancy having occurred, and the Public Service Board having certified, on the 26th August, 1946, that an appointment is required, that there is no person available and fit in the Public Service to be promoted or transferred to fill the vacant office, and that the person named is entitled, under the provisions of the Public Service Act 1928, to be appointed to fill such vacancy on probation for six months, from and inclusive of the 5th November, 1945.

*Assistant (Male).*

CHARLES JOSIAH BENNEWORTH  
to be an Assistant (Male), General Division; a vacancy having occurred, and the Public Service Board having certified, on the 26th August, 1946, that an appointment is required, that there is no person available and fit in the Public Service to be promoted or transferred to fill the vacant office, and that the person named is entitled, under the provisions of the Public Service Act 1928, to be appointed to fill such vacancy on probation for six months, to date from and inclusive of the 5th November, 1945.

C. W. KINSMAN,  
Clerk of the Executive Council.

At the Executive Council Chamber,  
Melbourne, 24th September, 1946.

RESIGNATIONS.

HIS Excellency the Lieutenant-Governor of the State of Victoria, by and with the advice of the Executive Council thereof, has by Orders made on the 24th day of September, 1946, accepted the resignations of the persons named hereunder of the offices mentioned, viz.:—

DEPARTMENT OF AGRICULTURE.

WILFRED OLIVER PEDERICK, Assistant Poultry Expert, Class "D," Professional Division, as an Officer of the Public Service of Victoria, from and inclusive of the 19th September, 1946.  
NOEL ARTHUR HACKSHALL SMITH, Analyst, Class "D," Professional Division, as an Officer of the Public Service of Victoria, from and inclusive of the 25th September, 1946.

DEPARTMENT OF CHIEF SECRETARY.

GEORGE WALTER FLEMING, as a Licensing Inspector for each and every Licensing District in the State of Victoria, to date from and inclusive of the 17th September, 1946.

DEPARTMENT OF FORESTS.

PHILIP JOSEPH AVERY, Professional Division, State Forests Department, as an Officer of the State Public Service of Victoria, from and inclusive of the 8th of October, 1946.  
WALTER LAWRENCE GRIGG, Professional Division, State Forests Department, as an Officer of the State Public Service of Victoria, from and inclusive of the 29th of September, 1946.

DEPARTMENT OF HEALTH.  
(MENTAL HYGIENE BRANCH.)

ESTELLE CUMMING, Nurse, Grade III., as an Officer of the Public Service of Victoria, from and inclusive of the 3rd September, 1946.  
YVONNE ELSE GORDON, Nurse, Grade III., as an Officer of the Public Service of Victoria, from and inclusive of the 1st September, 1946.

DEPARTMENT OF LAW.

LEWIS HAMILTON THOMAS, as a Sheriff's Bailiff and a Bailiff of the County Court at Ballarat.  
WILLIAM FREDERICK SHARP, as a Sheriff's Bailiff and a Bailiff of the County Court and Court of Mines at Sale.

DEPARTMENT OF WATER SUPPLY.

ROBERT JOHN DAVID BROWN, Water Bailiff, General Division, as an Officer of the Public Service of Victoria, from and inclusive of 18th September, 1946.

C. W. KINSMAN,  
Clerk of the Executive Council.

At the Executive Council Chamber,  
Melbourne, 24th September, 1946.

Act No. 3757, Section 66 (1).

REGULATIONS.—PROFESSIONAL DIVISION.

CHAPTER II.

THE Public Service Board, in pursuance of the powers vested in it, hereby amends Chapter II. of the Public Service Regulations as shown below, and submits the same for the approval of the Governor in Council:—

Department and Office.	Yearly Rate of Salary.	
	Minimum.	Maximum.
DEPARTMENT OF AGRICULTURE.	£	£
CLASS "C."		
<i>Repeal—</i> Farm Manager, Dookie Agricultural College	384	444*
DEPARTMENT OF LANDS AND SURVEY.		
<i>Add—</i> Officer-in-Charge, Sand Grounds, Port Melbourne	325	338
<i>To take effect as from and inclusive of the 12th August, 1946.</i>		

\* Subject to a charge of £75 a year for rent, fuel, light, power, and water.

D. D. PALNE, Chairman.  
J. FRAZER, Secretary.

Office of the Public Service Board,  
Melbourne, 15th August and 12th September, 1946.

Approved by the Governor in Council,  
24th September, 1946.

C. W. KINSMAN,  
Clerk of the Executive Council.

Public Service Act 1928 (Section 170).  
DISMISSAL.

IN pursuance of the provisions of section 170 of the Public Service Act 1928, His Excellency the Lieutenant-Governor of the State of Victoria, by and with the advice of the Executive Council thereof, doth, by an Order made on the 24th day of September, 1946, hereby consent to the dismissal from the Public Service by the Public Service Board of—

HARRY ROWE WRIGHT, Teacher, Primary Schools Division, Department of Public Instruction.

C. W. KINSMAN,  
Clerk of the Executive Council.

At the Executive Council Chamber,  
Melbourne, the 24th September, 1946.

Public Service Act 1928 (No. 3757), Sections 90 and 91.

EXEMPTIONS.

HIS Excellency the Lieutenant-Governor of the State of Victoria, by and with the advice of the Executive Council thereof, and upon the recommendation of the Public Service Board, has, by an Order made on the 24th day of September, 1946, exempted the officers specified hereunder from the provisions of sections 90 and 91 of the Public Service Act 1928 (No. 3757):—

DEPARTMENT OF HEALTH.

(1) Augustus Theobald Mathew Mahony, Inspector of Liquor, and Joseph Henry Nott, Assistant Inspector of Liquor, when required to work overtime in connexion with the inspection of liquor on Saturday afternoons, public holidays, and after 5.6 p.m. (Monday to Friday), when engaged in the country.

(2) Officers of the Professional Division, and Temporary Officers, who are required to make inspections of public buildings on Saturday afternoons, public holidays, and in the evenings, for the purpose of seeing that the Regulations in regard to overcrowding, fire prevention, ventilation, &c., are complied with.

(3) Officers of the General Division, when required—

- (i) to make inspections in connexion with racecourse luncheon booths on Saturday afternoons;
- (ii) to make inspections of hotels on Saturday afternoons, in order to check glass washing;
- (iii) to make inspections in connexion with the sampling of milk between midnight and the ordinary hour of commencing duty;
- (iv) to make night inspections in connexion with the bottling and sale of milk, the illegal slaughtering of animals, and the illegal manufacture, preparation, and sale of food.

(4) The domestic and nursing staffs of the Gresswell, Green-Vale, and Heatherton Sanatoria, when required to work overtime—such exemptions to be operative for the period from the 1st July, 1946, to the 30th June, 1947, both dates inclusive.

C. W. KINSMAN,  
Clerk of the Executive Council.

At the Executive Council Chamber,  
Melbourne, the 24th September, 1946.

SUBJECT to any necessary excisions, &c., it is proposed to grant the following leases:—

- 11193, Bendigo; William Keane Clements; 42a. 0r. 7p., in the Parishes of Sandhurst and Mandurang.
- 11214, Bendigo; William Keane Clements; 42a. 3r. 20p., in the Parishes of Sandhurst and Mandurang.
- 11215, Bendigo; William Keane Clements; 50a. 2r. 2p., in the Parishes of Sandhurst and Mandurang.
- 7002, Maryborough; Charles Campbell Seymour; 40a. 3r. 9p., in the Parish of Amherst.
- 7022, Mineral; Robert Murphy Terry and Everard Eustace Hughes; 296a. 3r. 31p., in the Parishes of Tallan-galook and Too-Rour.

APPLICATION FOR MINING LEASE ABANDONED.

11178, Bendigo; Rex Rowe Keane; 507a. 3r. 16p., in the Parishes of Marong and Woodstock.

TAILINGS LICENCES EXPIRED.

1679, Tailings Licence: Arthur William Watts.  
1685, Tailings Licence: Joel Dean.

W. G. MCKENZIE,  
Minister of Mines.

Water Acts.

STATE RIVERS AND WATER SUPPLY COMMISSION.  
MORNINGTON URBAN DISTRICT.

NOTICE to owners of tenements in the under-mentioned street in the Mornington Urban District and the private streets, lanes, courts, and alleys opening thereto:—

Herbert-street, from Barkly-street to a point opposite lot 116 on lodged plan of subdivision No. 12851, about 12½ chains southerly.

The main pipe in the said street being laid down, the owners of all tenements situated as above are hereby required, on or before the 2nd day of November next, to cause proper pipes and stopcocks to be laid, so as to supply water within such tenements from the main pipe.

L. DUGGAN, Secretary.  
State Rivers and Water Supply Commission.

Melbourne, 27th September, 1946.

Transport Regulation Acts.  
TRANSPORT REGULATION BOARD.  
NOTICES OF PUBLIC HEARINGS.

NOTICE is hereby given that the applications lodged by the persons named below for licences to operate the commercial goods or passenger vehicles on the route or routes, or in the manner set out opposite their names, will be heard at a time and place to be communicated to the parties:—

*Name of Applicant; Nature of Application.*

- CHAMBERS, G. E. and N.; 1 commercial goods vehicle for the carriage of general goods between Red Hill and Melbourne.
- CHISHOLM, A.; 1 commercial goods vehicle for the carriage of—(a) general goods 20 miles Natya. (b) live stock from Natya to Swan Hill market.
- CREAVES, K. R.; 1 commercial goods vehicle for the carriage of—(a) general goods 20 miles Benalla. (b) furniture and live stock anywhere in Victoria, (c) petroleum products between Melbourne and Benalla and empty returns Benalla to Melbourne.
- MALADY, F. A.; application for renewal of licence D.3453 (expiring 6th October, 1946), allowing operations as a Group 2 Road Contractor.
- MYER EMPORIUM LTD.; 2 commercial goods vehicles, with load capacity for 80 cwt. and 70 cwt. respectively, for the carriage of—(a) goods in the course of trade within a radius of 50 miles of Melbourne, (b) anywhere in the State of Victoria—household furniture and fittings and domestic appliances purchased from the Myer Emporium Ltd. for delivery direct to the home of the purchaser.
- MCLAREN, P. P.; 2 commercial goods vehicles for the carriage of general goods between Portsea and Melbourne, or places situate within a radius of 16 miles of Rosebud and Melbourne.
- RODGERS, E. A., AND SONS; 2 commercial goods vehicles for the carriage of—(a) general goods 25 miles Geelong. (b) market garden produce, excluding bagged potatoes and onions, to Melbourne from places within a radius of 8 miles from Drysdale.
- TALCHING, J.; 1 commercial goods vehicle for the carriage of—(a) all own goods in conduct of business as monumental mason to any place situated within 100 miles Benalla. (b) monumental material to and from the metropolitan area.
- MURRAY VALLEY COACHES PTY. LTD., trading as Mildura Hire Cars; application for variation of licences A.115, A.116, A.117, A.118, A.1367, to include the ability to operate as touring omnibuses on the following tours in and around Mildura:—  
1. City tour.  
2. Mildura, Red Cliffs, via Deakin-avenue and Fifteenth-street, returning via River-road, King's Billabong, and Eleventh-street.  
3. Mildura, Wentworth, N.S.W., via River-road, and Merbein, returning via Dareton, N.S.W., and Mildura Bridge.  
4. Such other tours as may be operated within a radius of 20 miles of Mildura.
- BAILEY H. G. AND L. J., trading as Bailey's Garage; 1 utility vehicle, with seating capacity for 3 persons, to operate for the carriage of passengers otherwise than at separate and distinct fares for each passenger throughout Victoria.
- BATSON, E. W.; 1 commercial passenger vehicle, with seating capacity for 27 persons, as an additional vehicle on licensed routes.
- BARKER, J.; 1 commercial passenger vehicle, with seating capacity for 11 persons, as an additional vehicle on licensed routes.
- CAMPBELL AND SOUTER; application for variation of licences A.399, A.890, and TA.1330 to include the ability to operate under charter conditions within 20 miles of Bendigo and Heathcote.
- COCK, H. G.; 1 commercial passenger vehicle, with seating capacity for 5 persons, to operate—(a) Rocklands Dam-Balmoral, (b) private hire 50 miles Balmoral.
- COMB, G. G.; 1 utility vehicle, with seating capacity for 2 persons, for the carriage of mails and passengers between Swan Hill and Bulga, Nowie North, Nowie South, McNaughtons, 14 Miles Plain, East Ultima.
- GAINGER BROS.; applications to substitute vehicles, with seating capacity for 27 persons each, on licences A.347 and A.348.
- HORE, J. S.; application for variation of licence A.113 to include—(a) charter conditions 50 miles Wodonga, (b) private hire throughout Victoria.
- JOHNSTON, W.; 1 commercial passenger vehicle, with seating capacity for 5 persons, to operate as follows:—(a) separate and distinct fares 5 miles Blackburn, (b) private hire 100 miles Blackburn.
- KENNEDY, R. F.; 1 commercial passenger vehicle, with seating capacity for 12 persons, as a stage omnibus between Warrandyte Bridge, Warrandyte, and Eltham, via Eltham-road and Research.
- MOLONEY, V. A.; 1 commercial passenger vehicle, with seating capacity for 11 persons, to operate—(a) Inverloch-Cowes daily, (b) substitute vehicle on other licensed routes.
- MURRAY VALLEY COACHES PTY. LTD.; application for variation of licence A.4 to operate a Sunday return journey between Corryong and Albury.
- MCDONALD, C. J.; application for variation of "A" licence to include private hire operations between Whitlands and Whitfield.
- PORTSEA PASSENGER SERVICE PTY. LTD.; 1 commercial passenger vehicle, with seating capacity for 64 persons, to operate as an additional vehicle on licensed routes.
- ARNALL, S. E., AND F. RICARDO, trading as Powelltown Bus Service; 1 commercial passenger vehicle, to be purchased, to operate—(a) as a substitute vehicle for licensed vehicles, (b) charter conditions 30 miles Yarra Junction.
- PROVINCIAL MOTORS PTY. LTD.; 1 commercial passenger vehicle, with seating capacity for 28 persons, to operate as a stage omnibus between Bendigo and Boort.
- ROBERTS, R.; application for variation of licences A.152 and A.151 to include private hire operations within 50 miles Kyneton.
- STAPLES, F. A.; 1 commercial passenger vehicle, with seating capacity for 23 persons, to operate as a stage omnibus between Oakleigh Railway Station and Springvale-road, Mt. Waverley.
- SHAW, A.; application for variation of licence A.1339 to include charter conditions within 20 miles Wahgunyah and to Mt. Buffalo and Wangaratta.
- THOMAS, J. N.; 1 commercial passenger vehicle, to be purchased, to operate between Ormond Railway Station and Mordialloe Railway Station, via North-road, Jasper-road, South-road, Chesterville-road, Pt. Nepean-road.
- WALLACE, H. L.; application for variation of licence A.925 to increase the ability to carry parcels and goods up to 25 cwt.
- WATSON, G. T.; 1 commercial passenger vehicle, to be purchased, to operate as an additional vehicle on licensed routes.
- WILSON, W. M.; 1 commercial passenger vehicle, with seating capacity for 16 persons, to operate as a substitute vehicle for licensed vehicles.
- PROVINCIAL MOTORS PTY. LTD.; application for renewal of licences A.520, A.521, A.522, A.519, A.432 (expired 20th September, 1946), lodged as follows:—A.522, A.521, A.520, Bendigo-Ballarat; A.519, substitute vehicle: A.432, Bendigo-Warracknabeal.
- LANE, A. L.; application for variation of licence A.839 (expired 20th September, 1946), lodged as follows:—(a) Curdie Vale-Warrnambool, (b) charter 20 miles Curdie Vale and to Warrnambool, Terang, and Mortlake, (c) to pick up and set down along routes when operating to dances, entertainments, &c., (d) to Warrnambool, Terang, Noorat, on show days and race days.
- HILL, A.; application for renewal of licence A.504 (expired 6th September, 1946), allowing operations as follows:—(a) Frankston Railway Station-Portsea, (b) Newspapers and mails up to 15 cwt.
- HENDERSON, T. P. L.; application for renewal of licence A.745 (expired 14th September, 1946), lodged as follows:—Radius of 2 miles of Hamilton Post Office.

APPLICATIONS for licences to operate commercial passenger vehicles, with seating capacity for 5 persons, for the carriage of passengers for reward, otherwise than at separate and distinct fares for each passenger throughout Victoria:—

- ARMSTRONG, A. C.; Ringwood.  
BANNON, I. A.; Elsternwick.  
ENGLISH, J. E.; Albury.  
GANGE, A. J.; Fitzroy (two vehicles).  
GROWCOTT, A. E.; Castlemaine.  
GRIFFIN, R. K.; Lower Ferntree Gully.  
JONES, G. H.; Castlemaine.  
MARK, A. E.; Ballarat.  
MILDURA BUS LINES PTY. LTD.; Mildura (two vehicles).  
NAYLOR, J. A.; Castlemaine.  
PHILLIPS, E. J. C.; Mt. Eliza.  
STOTT, D. M.; Casterton.  
TURNBULL, A. A.; Yarram.  
VIRGONA, R.; Red Cliffs.

Notice of any objection should be forwarded to reach the Secretary to the Board not later than Wednesday, the 16th October, 1946.

E. V. FIELD,  
Secretary.

Exhibition Buildings, Rathdown-street, Carlton, 1st October, 1946.

## NOTICE.

ADMINISTRATION of the estate of each of the under-mentioned deceased persons has been granted to me, and creditors, next of kin, and all others having claims against the estate of any of the persons so mentioned are required to send particulars of their claims to the Public Trustee, No. 412 Collins-street, Melbourne, on or before the 4th December, 1946, or they will be excluded from the distribution of the estate when the assets are being distributed:—

\*DOHERTY, OWEN SUMMERFIELD, late of Hill End, farmer, died 16th November, 1944.

HANSEN, CLARA FLORENCE, also known as Clare Florence Hansen, formerly of Metung, but late of 9 Hunter-street, East Kew, widow, died 25th June, 1942, intestate.

\*HANSEN, THOMAS (the younger), formerly of Nungurner, but late of A.I.F., soldier, became missing 22nd January, 1942, and now presumed to be deceased.

†HILL, CHARLES GIFFORD, late of R.A.A.F., pilot officer, became missing 10th August, 1944, and now presumed to be deceased.

\*JOHNSTON, EVA, late of Christchurch, New Zealand, widow, died 8th April, 1946.

JONES, LOUIS, late of Mildura, labourer, died 18th June, 1946, intestate.

JONES, SARAH ADELAIDE, late of 290 Mont Albert-road, Surrey Hills, widow, died 27th February, 1945, intestate.

\*LITTLE, ELIZABETH, formerly of 183 Glenlyon-road, East Brunswick, but late of 11 Third-avenue, West Brunswick, widow, died 23rd July, 1946.

MARTIN, LILLIAN MAUD, late of 1 Capel-place, North Melbourne, widow, died 5th August, 1946, intestate.

\*MELBOURNE, ALBERT JAMES, late of 249 Carlisle-street, Balaclava, retired grocer, died 30th June, 1946.

McKENZIE, JOHN, late of Dunolly, pensioner, died 16th April, 1945, intestate.

\*MCLEAN, HECTOR NORMAN, junior, formerly of Ellendale-road, Noble Park, but late of A.I.F., soldier, died 25th July, 1945.

†PARNHAM, CAROLINE MARY OLIVE (in the will called Mary Caroline Olive Parnham), late of 19 Fuller-avenue, Glen Iris, home duties, died 26th June, 1946.

\*ROBINSON, ROBERT LIDDLE, late of 22 Murchison-street, Newcastle, in the Province of Natal, in the Union of South Africa, creamery manager, died 8th January, 1935.

STERICKER, JOHN, formerly of 44 Henry-street, Auburn, but late of Repatriation General Hospital, Caulfield, pensioner, died 10th July, 1946, intestate.

THOMAS, VIOLET ANIGAL, formerly of Omeo, but late of 47 Radnor-street, Camberwell, widow, died 20th May, 1946, intestate.

WATSON, ROSE ALBERTA, late of 2 Lyons-street, Williams-town, married woman, died 11th July, 1946, intestate.

\*VILLIS, JOHN SUTHERLAND, formerly of 235 Canterbury-road, St. Kilda, but late of A.I.F., soldier, presumed to have died on 23rd January, 1942.

\* With the will annexed.

† According to the provisions of the will.

J. E. DON,  
Public Trustee.

412 Collins-street, Melbourne, C.1, 25th September, 1946.

## 4 GEORGE VI. No. 4755, SECTION 6.

I HEREBY give notice that on the 18th September, 1946, I filed elections to administer the following deceased persons' estates, in accordance with section 6 of the *Public Trustee Act 1940*:—

\*HILL, CHARLES GIFFORD, late of R.A.A.F., pilot officer, became missing 10th August, 1944, and now presumed to be deceased.

JONES, SARAH ADELAIDE, late of 290 Mont Albert-road, Surrey Hills, widow, died 27th February, 1945, intestate.

MARTIN, LILLIAN MAUD, late of 1 Capel-place, North Melbourne, widow, died 5th August, 1946, intestate.

McKENZIE, JOHN, late of Dunolly, pensioner, died 16th April, 1945, intestate.

\*PARNHAM, CAROLINE MARY OLIVE (in the will called Mary Caroline Olive Parnham), late of 19 Fuller-avenue, Glen Iris, home duties, died 26th June, 1946.

STERICKER, JOHN, formerly of 44 Henry-street, Auburn, but late of Repatriation General Hospital, Caulfield, pensioner, died 10th July, 1946, intestate.

THOMAS, VIOLET ANIGAL, formerly of Omeo, but late of 47 Radnor-street, Camberwell, widow, died 20th May, 1946, intestate.

\* According to the provisions of the will.

J. E. DON,  
Public Trustee.

412 Collins-street, Melbourne, C.1, 25th September, 1946.

## Apprenticeship Acts.

## APPRENTICESHIP COMMISSION OF VICTORIA.

NOTICE OF INTENTION TO RECOMMEND THAT A CERTAIN TRADE BE PROCLAIMED AN APPRENTICESHIP TRADE.

NOTICE is hereby given, in pursuance of the provisions of the Apprenticeship Acts, that it is the intention of the Apprenticeship Commission of Victoria to make a recommendation to the Minister of Labour that the trade set out hereunder be proclaimed an apprenticeship trade under the said Acts, viz.:—

## BRICKLAYING.

It is also notified that the eighteenth day of October, 1946, has been fixed as the date before which representations may be made to the said Commission, by or on behalf of employers and employees in any such trade, whether for or against any such trade being included in the said recommendation.

(This notice has effect with respect to the trade above mentioned, so far only as it is carried on in the metropolitan district within the meaning of the Apprenticeship Acts.)

By order of the Commission,

A. G. ALLEN,  
Secretary.

103 Russell-street, Melbourne, C.1,  
18th September, 1946.

## Apprenticeship Acts.

## APPRENTICESHIP COMMISSION OF VICTORIA.

NOTICE OF INTENTION TO RECOMMEND THAT A CERTAIN TRADE BE PROCLAIMED AN APPRENTICESHIP TRADE.

NOTICE is hereby given, in pursuance of the provisions of the Apprenticeship Acts, that it is the intention of the Apprenticeship Commission of Victoria to make a recommendation to the Minister of Labour that the trade set out hereunder be proclaimed an apprenticeship trade under the said Acts, viz.:—

## ELECTROPLATER—FIRST CLASS.

It is also notified that the eighteenth day of October, 1946, has been fixed as the date before which representations may be made to the said Commission, by or on behalf of employers and employees in any such trade, whether for or against any such trade being included in the said recommendation.

(This notice has effect with respect to the trade above mentioned, so far only as it is carried on in the metropolitan district within the meaning of the Apprenticeship Acts.)

By order of the Commission,

A. G. ALLEN,  
Secretary.

103 Russell-street, Melbourne, C.1,  
18th September, 1946.

## The Fisheries Acts.

NOTICE OF INTENTION TO FIX A MINIMUM LENGTH FOR BREAM.

IT is hereby notified for general information that it is intended, after the expiration of one month from the date of publication of this notice in the *Government Gazette*, to move His Excellency the Governor in Council to make a Proclamation substituting the length set out hereunder for the length of 8½ inches set opposite the name of bream in the Second Schedule to the *Fisheries Act 1923*:—

Bream, 9 inches.

W. SLATER,  
Chief Secretary.

F. LEWIS,  
Chief Inspector of Fisheries and Game.

## Country Fire Authority Act 1944.

PERMISSION TO HOLD FIRE BRIGADE DEMONSTRATION.

IN pursuance with the provisions of section 79 (1) and (2) of the *Country Fire Authority Act 1944*, the Country Fire Authority has granted permission to hold a fire brigade demonstration at Traralgon, on Friday, 8th November, 1946.

G. G. SINCLAIR,  
Secretary.

Melbourne, 24th September, 1946.



## RAILWAYS CLASSIFICATION BOARD.

AWARD No. 91 of 25TH SEPTEMBER, 1946.

*Relating to Certain Conditions of Employment Affecting Guard (Class 2) Goods, and Guard (Class 1) Passenger or Express, &c.*

THE Railways Classification Board, in pursuance of the powers in that behalf conferred by the provisions of the Railways Act 1928 (No. 3759), hereby determines and awards as follows (that is to say):—

That Award No. 8 as amended to date be further amended as set out hereunder:—

*Division 2.—Ordinary Hours of Duty.*

By inserting at the beginning of clause 3 the following words:—

“Except as hereinafter provided.”

*Division 8.—Overtime.*

1. By deleting from the proviso to sub-clause (a) of clause 1 the phrase “after 10 hours on duty,” and inserting in lieu thereof the phrase “after 9 hours on duty.”

2. By inserting at the end of the proviso to sub-clause (a) of clause 1 the following additional proviso:—

“Provided further that any time worked in any week by a Guard (Class 2) Goods or by a Guard (Class 1) Passenger or Express (or by any employee who may carry out the duties of any of the aforesaid Guards in such week), in excess of 54 hours (including time worked on a Sunday, as provided in clause 5A hereof) shall be paid for at the rate of time and a half.”

3. By inserting in sub-clause (f) of clause 1 immediately after the word “work” the following words:—

“but in any case in excess of 88 hours per fortnight.”

4. By inserting after sub-clause (c) of clause 4 and before the proviso to the said clause the following additional sub-clause:—

“(d) Upon the total time worked in excess of 54 hours in any week by any Guard (Class 2) Goods, or by any Guard (Class 1) Passenger or Express, or by any employee who may carry out the duties of any of the aforesaid Guards in excess of 54 hours in any such week.”

5. By inserting in clause 5 immediately after the word “Sunday” the following words:—

“by a Guard (Class 2) Suburban engaged in the operation of the Melbourne suburban electric service.”

6. By inserting immediately after clause 5 the following additional clause:—

“(5A) Time worked between midnight Saturday and midnight Sunday shall be taken into consideration in the computation of overtime on a fortnightly basis (or on a weekly basis in the case of employees covered by the second proviso to sub-clause (a) of clause 1 hereof, or by employees covered by sub-clause (b) (iv) of clause 1 hereof): Provided that this clause shall not apply to a Guard (Class 2) Suburban engaged in the operation of the Melbourne suburban electric service.”

*Division 12.—Travelling and Waiting Time.*

By deleting from the proviso to clause 4 the words “one day’s pay,” and inserting in lieu thereof the words “one and a half day’s pay.”

Dated this twenty-fifth day of September, One thousand nine hundred and forty-six.

A. D. ELLIS, Chairman,  
Railways Classification Board.

Approved by the Governor in Council  
(to come into operation as from the 6th October, 1946),  
1st October, 1946.

C. W. KINSMAN,  
Clerk of the Executive Council.

## AUCTION SALES ACT 1928.

**BAIRNSDALE.**—Notice is hereby given that a Special Meeting of Justices will be held at the Court House, Nicholson-street, Bairnsdale, on Thursday, the 24th day of October, 1946, at Ten o’clock in the forenoon, to consider the application of Ian Whitney Geer, of Orbest, in Victoria, for an auctioneer’s licence. Dated at Bairnsdale, this 27th day of September, 1946.—M. L. KILLEEN, Clerk of Petty Sessions.

*Farmers Debts Adjustment Act 1935.*

## CANCELLATION OF STAY ORDERS.

NOTIFICATION is hereby given that the Stay Orders issued to the under-mentioned farmers have been cancelled by the Farmers’ Debts Adjustment Board, such cancellation to take effect on Wednesday, 2nd October, 1946:—

*No. of Stay Order; Name; Address.*

- 3165; Brumby, John James; Berrybank.  
2660; Carmody, Thomas; Kirkstall.  
3412; Cummins, William Joseph and Mary Margaret; Learmonth.  
3203; Fahey, Mary Jane; Timboon.  
2029; Ross, William; Campbelltown.  
1087; Ross, William; Campbelltown.  
3535; Treloar, Francis Leslie; Baringhup.  
3910; Freshwater, Arthur Cookson; Kilmany.  
3911; Freshwater, Reginald Fawker; Kilmany.  
3735; Heffernan, Denis Donner; Wool Wool.  
2507; Hodge, James; Weering.  
2961; Kent, Henry Bell; Kiara.  
2637; Scott, Angus Augustus Thomas; Elliminyt.  
2638; Scott, Beatrice Bessie; Elliminyt.  
2972; Rissmann, Albert; Tarrington.  
1160; Tillig, Charles Godfrey; Woorinen.  
1755; McClure, John Thomas; Connewirrecoo.  
4038; Muir, George; Dreeite.  
4039; Muir, Irene Jane; Dreeite.  
1630; Milne, Harold Richard Wallace; Colac.  
2491; Moloney, Patrick; Kolora, via Terang.  
1827; McCalman, David McAdam; Sandford.  
1857; Smith, Neil Richmond and Keith Robert Richmond; Buffalo.  
1275; Smith, Horace Digby and Catherine Maud; Newry.  
3350; Souter, Angus James Coupar; Yarragon.  
4029; McDonnell, Hugh; Gelantipy.  
3882; McDonald, Emily Sophia and Thomas Roy (as executors of William, deceased); Arnold West.  
199; Nielsen, Poula; Trafalgar.  
3870; Lamshead, John; Harecourt.  
3817; O’Byrne, Ethel Grace and Clifford William (as executors of Thomas, deceased); North Walmer.  
3371; O’Connor, Andrew Charles; East Trentham.  
3784; Mason, Beatrice; Corunnun.  
3785; Mason, Harold James; Corunnun.  
2760; Walker, William Henry; Koroit.  
2761; Walker, William Henry (trading as Walker Bros.); Koroit.  
1620; Johnson, Hugh David; Beecac.  
1980; Kelly, Thomas Gregory, deceased; Purnim.  
2531; Kelly, Patrick Francis; Crossley.  
3637; Warren, Thomas Gordon; Orbest.  
4256; Warren, William John; Orbest.  
3581; Baker, John Felix; Noorat.  
3492; Rowan, David; Camperdown.  
3594; Smith, Sydney Oliver and William James, and Caroline, deceased; Elingamite North.  
1606; Wilson, Reginald John, junior; Camperdown.  
4172; Yates, Charles; Pomborneit East.  
2546; Dunn, Mary Elizabeth, Eric Roystone, and Ronald William (as executors of William, deceased); Brewster.  
1769; Powrie, James; Ripplebrook.  
2356; Ridsdale, Joseph Harold and Myrtle Matilda; Yarragon.  
404; Robinson, George William; Nilma.  
1677; Murphy, Nicholas John; Leongatha.  
4277; McCoy, William Douglas; Ensay.  
3210; McDonnell, Peter; Gelantipy.  
4085; Nixon, Percival Charles, junior; Orbest.  
4243; Nixon, estate of Emily, deceased; Orbest.  
4281; Byrne, Thomas; Spring Valley, via Broadford.  
418; Harley, Leigh Michael; Lexton.  
3160; Kaye, William Harold and Olive Beatrice; Baringhup.  
2714; Slaughter, Dorothy Catherine; Murtoa.

W. J. EVANS, Deputy Secretary,  
Farmers’ Debts Adjustment Board.

1st October, 1946.

*Town and Country Planning Act 1944.*

SHIRE OF SEYMOUR.

INTERIM DEVELOPMENT ORDER.

WHEREAS by virtue of the powers conferred by the *Town and Country Planning Act 1944*, and every other power enabling them in that behalf, the preparation of a planning scheme in accordance with the said Act has been commenced by the Council of the Shire of Seymour (hereinafter referred to as the "Responsible Authority"), which hereby makes the following Interim Development Order:—

1. The development of all land referred to in the Schedule, and the erection, construction, and carrying out of any buildings, roads, or other works on any of the said land is hereby prohibited.
2. Any person may apply to the Responsible Authority for permission to develop, subdivide, or otherwise use any land, or erect or construct any buildings, roads, or other works, during the operation of this Order.
3. Any application for permission to develop, subdivide, or otherwise use any land, or erect or construct any building, roads, or other works, may be granted by the Responsible Authority subject to such conditions as are specified in the permit, or may be refused.
4. Any owner of any land, who, after the service of a copy of this Order, contravenes any of the provisions contained herein, shall, when directed by notice, in writing, remove, pull down, take up, or alter any building, road, or other works, and if any owner fails to do so within the time specified by the notice, the Responsible Authority may carry out all or any of such works, and recover all expenses incurred, after due notice has been given to the owner, lessee, and/or occupier in accordance with the provisions of section 12, sub-section 3, of the Act.

5. None of the provisions of this Order shall prohibit the continuance of the use of any land or buildings for the purpose for which it was used immediately before the coming into operation of this Order.

6. This Order shall remain in operation until the approval of the Planning Scheme in accordance with the *Town and Country Planning Act 1944*, or until this Interim Development Order is revoked by the Governor in Council.

7. Schedule of land affected:—The Township of Seymour, and allotments 1, 2, 2A, 3, 3A, 4, 5A, 6, 6A, 7, 7A, 8, 9 of section W, Parish of Seymour.

The common seal of the President, Councillors, and Rate-payers of the Shire of Seymour was hereunto affixed, in the presence of—

(SEAL) JER. SEYMOUR, President.  
J. H. ROBERTS, Councillor.  
H. E. CLARKE, Secretary.

9th September, 1946.

Report by the Town and Country Planning Board, on the 18th September, 1946. Recommended for approval.—J. S. GAWLER, Chairman.

Approved by the Governor in Council,  
1st October, 1946.  
C. W. KINSMAN,  
Clerk of the Executive Council.

*Town and Country Planning Act 1944.*

MUNICIPALITY OF THE TOWN OF HORSHAM.

INTERIM DEVELOPMENT ORDER.

WHEREAS by virtue of the powers conferred by the *Town and Country Planning Act 1944*, and every other power enabling them in that behalf, the preparation of a planning scheme, in accordance with the said Act, has been commenced by the Council of the Town of Horsham (hereinafter referred to as the "Responsible Authority"), which hereby makes the following Interim Development Order:—

1. The development of all land referred to in the Schedule, and the erection, construction, and carrying out of any buildings, roads, or other works on any of the said land is hereby prohibited.
2. Any person may apply to the Responsible Authority for permission to develop, subdivide, or otherwise use any land, or erect or construct any buildings, roads, or other works, during the operation of this Order.
3. Any application for permission to develop, subdivide, or otherwise use any land, or erect or construct any building, roads, or other works, may be granted by the Responsible Authority, subject to such conditions as are specified in the permit, or may be refused.
4. Any owner of land who, after the service of a copy of this Order, contravenes any of the provisions contained herein, shall, when directed by notice, in writing, remove, pull down, or take up or alter any building, road, or other works, and, if any owner fails to do so within the time specified by the notice, the Responsible Authority may carry out all or any of such works, and recover all expenses incurred, after due notice has been given to the owner, lessee, and/or occupier, in accordance with the provisions of section 12, sub-section 3, of the Act.

5. None of the provisions of this Order shall prohibit the continuance of the use of any land or buildings for the purpose for which it was used immediately before the coming into operation of this Order.

6. This Order shall remain in operation until the approval of the planning scheme, in accordance with the *Town and Country Planning Act 1944*, or until this Interim Development Order is revoked by the Governor in Council.

7. Schedule of land affected: All land within the boundaries of the Municipal District of the Town of Horsham.

(SEAL) WILFRID SMITH, Mayor.  
W. R. LAWRENCE, Councillor.  
W. P. PRYOR, Town Clerk.

Report by the Town and Country Planning Board on the twenty-fifth day of September, 1946. Recommended for approval.—J. S. GAWLER, Chairman.

Approved by the Governor in Council,  
1st October, 1946.  
C. W. KINSMAN,  
Clerk of the Executive Council.

MONEY LENDERS ACT 1938.

SUPPLEMENTARY List of Persons to whom Money Lenders Licences have been issued for the year ending 30th June, 1947:—

Name.	Authorized Name.	Authorized Address.	Date of Issue.
Bryant, Henry Thomas .. ..	H. T. Bryant and M. Kinder ..	282-284 Collins-street, Melbourne	27. 8. 46
Kinder, Murray .. ..	H. T. Bryant and M. Kinder ..	282-284 Collins-street, Melbourne	27. 8. 46
Gaffney, Gerard Timothy .. ..	G. T. Gaffney and R. K. McCleery ..	307 Sydney-road, Brunswick ..	6. 8. 46
McCleery, Robert Keith .. ..	G. T. Gaffney and R. K. McCleery ..	307 Sydney-road, Brunswick ..	6. 8. 46
McKeown, W. J. .. ..	W. J. McKeown Cash Order Co. ..	548 Sydney-road, Brunswick ..	6. 8. 46

The Treasury,  
Melbourne, 24th September, 1946.

F. MADDERN,  
Registrar.

CONTRACTS ACCEPTED.—(Series 1946-47.)  
PROVISIONS.—MEAT.

No. of Contract.	Particulars of each Tender Accepted.	Amount.	Name of Contractor.	Charge against Vote or Fund.
	PROVISIONS— Supply of Meat, in such quantities as may be ordered, from 1st October, 1946, to 31st December, 1946.			
1132	Schedule No. 1—Melbourne District— Kew Mental Hospital .. .. .	Rates as per annex	F. Watkins Pty. Ltd. ..	Contingencies, 1946-47.
1133	Pentridge Penal Establishment, &c. .. .. .	" "	F. S. Decker .. .. .	
1134	Children's Welfare Depot, Royal Park, and Police Hospital .. .. .	" "	J. H. Cooke Pty. Ltd. ..	
1135	Royal Park Mental Hospital and Receiving House .. .. .	" "	J. H. Cooke Pty. Ltd. ..	
1136	Schedule No. 2—Mont Park; Sanatorium, Gresswell, &c. .. .. .	" "	W. Angliss and Co. (Aust.) Pty. Ltd. .. .. .	
1137	Schedule No. 3—s.s. Rip and Dredges .. .. .	" "	F. S. Decker .. .. .	
1138	Schedule No. 4—Teachers' College, Carlton, and Travancore Developmental Centre, Flemington .. .. .	" "	F. S. Decker .. .. .	
1139	Schedule No. 5—Ararat District .. .. .	" "	W. Newsome .. .. .	
1140	Schedule No. 6—Ballarat District .. .. .	" "	H. J. Symons Pty. Ltd. ..	
1141	Schedule No. 7—Beechworth District .. .. .	" "	E. Spencer .. .. .	
1142	Schedule No. 8—Castlemaine District .. .. .	" "	Ewing's "W.K. & H.S." ..	
1143	Schedule No. 9—School of Forestry, Creswick .. .. .	" "	H. J. Symons Pty. Ltd. ..	
1144	Schedule No. 10—McLeod Settlement, French Island .. .. .	" "	L. G. Male .. .. .	
1145	Schedule No. 11—Heatherton Sanatorium, Cheltenham .. .. .	" "	W. Angliss and Co. (Aust.) Pty. Ltd. .. .. .	
1146	Schedule No. 12—Sanatorium, Greenvale .. .. .	" "	F. Watkins Pty. Ltd. ..	
1147	Schedule No. 13—Coorimungie Prison Camp, Heytesbury Forest .. .. .	" "	Tarrant Bros. .. .. .	
1148	Schedule No. 16—Sale Gaol .. .. .	" "	H. L. G. Laws .. .. .	
1149	Schedule No. 17—Pleasant Creek Special School, Stawell .. .. .	" "	Ada J. West .. .. .	
1150	Schedule No. 18—Sunbury District .. .. .	" "	F. Watkins Pty. Ltd. ..	

Approved—P. L. COLEMAN, Assistant Treasurer. 24.9.46.

ANNEX TO CONTRACTS.

SCHEDULE No. 1.—MELBOURNE DISTRICT.

ANNEX TO CONTRACT No. 1946/1132.

F. Watkins Pty. Ltd., 184 Bourke-street, Melbourne, C.I.

Sub-schedule No. 7.

MEAT FOR MENTAL HOSPITAL, KEW.

	Security, £35.	£	s.	d.
1. Fresh Beef—Fore-quarters .. .. .	per cwt.	3	2	0
2. " " Hind-quarters .. .. .	do.	2	10	0
3. " " Buttocks .. .. .	per lb.	0	0	9½
4. Corned Beef—Rolled or round, as ordered, without bone or cartilage .. .. .	do.	0	0	10
5. Fresh Mutton .. .. .	do.	0	0	6½
6. " " Suet—Kidney .. .. .	do.	0	0	5
7. Sausage Meat .. .. .	do.	0	0	5
8. Liver—Calves' .. .. .	do.	0	0	6
9. Brains .. .. .	per set	0	0	3
10. Sausages—Mixed .. .. .	per lb.	0	0	8
11. Tripe—Fresh .. .. .	do.	0	0	5

ANNEX TO CONTRACT No. 1946/1133.

F. S. Decker, 275 Racecourse-road, Newmarket.

Sub-schedule No. 8.

MEAT FOR PENAL ESTABLISHMENT (PENTRIDGE), FEMALE PENITENTIARY, AND METROPOLITAN GAOL (COBURG).

	Security, £35.	£	s.	d.
1. Fresh Beef—Fore-quarters .. .. .	per cwt.	2	10	0
2. Fresh Mutton (whole sheep) .. .. .	per lb.	0	0	6
3. Sausages—Mixed .. .. .	do.	0	0	8
4. Liver—Calves' .. .. .	do.	0	0	6
5. Fresh Suet—Kidney .. .. .	do.	0	0	5
6. Dripping—Beef .. .. .	do.	0	0	6
7. Mince Meat .. .. .	do.	0	0	5
8. Tripe—Fresh .. .. .	do.	0	0	5

ANNEX TO CONTRACT No. 1946/1134.

J. H. Cooke Pty. Ltd., 378 Queen's-parade, Clifton Hill.

Sub-schedule No. 9.

MEAT FOR POLICE HOSPITAL, ST. KILDA-ROAD; CHILDREN'S WELFARE DEPOT, ROYAL PARK.\*

	Security, £8.	£	s.	d.
1. Fresh Beef .. .. .	per cwt.	2	15	0
2. " " Mutton .. .. .	do.	2	1	8
3. Steak—Rump .. .. .	per lb.	0	1	8
4. " " Stewing .. .. .	do.	0	0	9½
5. Beef, Corned—Silverside .. .. .	do.	0	0	11
6. " " Rib .. .. .	do.	0	0	10
7. Fresh Mutton—Loin .. .. .	do.	0	0	8
8. " " Leg .. .. .	do.	0	0	9½
9. " " Cutlets .. .. .	do.	0	0	9½

\* Rates subject to variation in accordance with determinations of Prices Commissioner.

Sub-schedule No. 9—continued.

MEAT FOR POLICE HOSPITAL, ST. KILDA-ROAD; CHILDREN'S WELFARE DEPOT, ROYAL PARK—continued.

	£	s.	d.	
10. Chops—Mid Loin .. .. .	per lb.	0	0	9
11. Shanks—Sheeps' .. .. .	do.	0	0	5
12. Sausages—Mixed .. .. .	do.	0	0	7
13. Tripe—Fresh .. .. .	do.	0	0	6
14. Frys—Lambs' .. .. .	do.	0	0	6
15. Ox Tails .. .. .	do.	0	0	8
16. Sausage—Beef, German .. .. .	do.	0	0	8
17. " " Strasburg—Pork .. .. .	do.	0	1	0
18. Rabbits—Fresh .. .. .	per pair	0	2	6
19. Frankfurts .. .. .	per bundle	0	0	9

ANNEX TO CONTRACT No. 1946/1135.

J. H. Cooke Pty. Ltd., 378 Queen's-parade, Clifton Hill.

Sub-schedule No. 10.

MEAT FOR RECEIVING HOUSE AND MENTAL HOSPITAL, ROYAL PARK.\*

	Security, £10.	£	s.	d.
1. Fresh Beef .. .. .	per cwt.	2	15	0
2. " " Buttocks .. .. .	do.	2	15	0
3. " " Mutton .. .. .	per lb.	0	0	5
4. Corned Beef—Rolled or round, as ordered, without bone or cartilage .. .. .	do.	0	0	9½
5. Fresh Suet—Kidney .. .. .	do.	0	0	5
6. Sausages—Mixed .. .. .	do.	0	0	7
7. Tripe—Fresh .. .. .	do.	0	0	6

SCHEDULE No. 2.—MONT PARK SANATORIUM, GRESSWELL, ETC.

ANNEX TO CONTRACT No. 1946/1136.

W. Angliss and Co. (Aust.) Pty. Ltd., 42 Bourke-street, Melbourne, C.I.

Sub-schedule No. 4.

MEAT.\*

	Security, £50.	£	s.	d.
1. Fresh Beef—Forequarters .. .. .	per cwt.	1	18	0
2. " " Hindquarters .. .. .	do.	2	18	0
3. " " Buttocks .. .. .	per lb.	0	0	7½
4. " " Roast .. .. .	do.	0	0	8½
5. Beef, Corned—Rolled or round, as ordered, without bone or cartilage .. .. .	do.	0	0	9½
6. Mutton—Fresh .. .. .	do.	0	0	5
7. Chops—Forequarter .. .. .	do.	0	0	6½
8. Suet—Beef .. .. .	do.	0	0	3½
9. Veal—Leg .. .. .	do.	0	0	9½
10. Steak—Thick flank .. .. .	do.	0	0	10½

**Sub-schedule No. 4—continued.**

MEAT FOR MONT PARK; SANATORIUM, GRESSWELL, ETC.—continued.

	£	s.	d.
11. Steak—Minced .. .. .	per lb.	0	0 7½
12. Sausage Meat .. .. .	do.	0	0 5
13. Sausages—Mixed .. .. .	do.	0	0 7½
14. Shanks—Sheeps' .. .. .	each	0	0 5
15. Tripe—Fresh .. .. .	per lb.	0	0 3½
16. Brains—Sheeps' .. .. .	per set	0	0 3
17. Kidneys—Sheeps' .. .. .	per doz.	0	2 0
18. Kidneys—Ox .. .. .	per lb.	0	0 11
19. Livers—Calves' .. .. .	do.	0	0 9½
20. Sausage—Beef, German .. .. .	do.	0	0 8
21. " Pork, Strasburg .. .. .	do.	0	0 11
22. Rabbits—Fresh .. .. .	per pair	0	2 4
23. Saveloys .. .. .	per doz.	0	1 3
24. Tongues—Ox .. .. .	per lb.	0	0 8

**SCHEDULE No. 3.—S.S. RIP AND DREDGES.**

ANNEX TO CONTRACT No. 1946/1137.

F. S. Decker, 275 Racecourse-road, Newmarket.

**Sub-schedule No. 3.**

MEAT.

(Delivery at River Yarra Wharfs.)

Security, £5.

	£	s.	d.
1. Fresh Beef—Roast .. .. .	per lb.	0	0 10½
2. Beef, Corned—Silverside .. .. .	do.	0	0 11½
3. " " Rolled .. .. .	do.	0	0 8½
4. Fresh Mutton—Forequarter .. .. .	do.	0	0 6
5. " " Legs .. .. .	do.	0	0 10½
6. Chops—Forequarter .. .. .	do.	0	0 9½
7. " Loin .. .. .	do.	0	0 9½
8. Steak—Rump .. .. .	do.	0	1 8
9. " Stewing .. .. .	do.	0	0 9½
10. " Topside .. .. .	do.	0	1 0
11. Sausages—Mixed .. .. .	do.	0	0 7
12. Tripe—Fresh .. .. .	do.	0	0 5
13. Frys—Lamb's .. .. .	do.	0	0 6
14. Suet—Kidney .. .. .	do.	0	0 4
15. Rabbits—Fresh .. .. .	per pair	0	2 6
16. Ioe .. .. .	per cwt.	0	3 0

**SCHEDULE No. 4.—TEACHERS' COLLEGE, CARLTON, AND TRAVANCORE DEVELOPMENTAL CENTRE, FLEMINGTON.**

ANNEX TO CONTRACT No. 1946/1138.

F. S. Decker, 275 Racecourse-road, Newmarket.

**Sub-schedule No. 3.**

MEAT.

Security, £8.

	£	s.	d.
1. Fresh Beef—Sirloin .. .. .	per lb.	0	1 1
2. " Mutton—Forequarter .. .. .	do.	0	0 5
3. " " Cutlets .. .. .	do.	0	0 9
4. " " Chops, Mid. Loin .. .. .	do.	0	0 9
5. " " Chops, Forequarter .. .. .	do.	0	0 6
6. " " Shoulder, Boned .. .. .	do.	0	0 6
7. " " Legs .. .. .	do.	0	0 9½
8. Beef, Corned—Silverside .. .. .	do.	0	0 11½
9. Veal—Shoulder, Boned .. .. .	do.	0	0 7
10. Steak—Blade .. .. .	do.	0	0 11
11. " (when required, minced) .. .. .	do.	0	0 11
12. Mince Meat .. .. .	do.	0	0 7
13. Sausages—Mixed .. .. .	do.	0	0 7
14. Sausage Meat .. .. .	do.	0	0 5
15. " —Beef, German .. .. .	do.	0	0 9
16. Kidneys—Ox .. .. .	do.	0	0 11
17. Tongues—Ox .. .. .	do.	0	0 8
18. Cheeks—Ox .. .. .	do.	0	0 3
19. " Pigs' .. .. .	do.	0	0 4
20. Frys—Lamb's .. .. .	do.	0	0 6
21. Tripe—Fresh .. .. .	do.	0	0 5
22. Suet—Kidney .. .. .	do.	0	0 4
23. Bones—Soup .. .. .	do.	0	0 1
24. Frankfurts .. .. .	per bundle	0	0 9
25. Rabbits—Fresh .. .. .	per pair	0	2 6
26. Black Puddings .. .. .	per lb.	0	0 4

**SCHEDULE No. 5.—ARARAT DISTRICT.**

ANNEX TO CONTRACT No. 1946/1139.

W. Newsome, 139 Barkly-street, Ararat.

**Sub-schedule No. 4.**

MEAT.

Security, £30.

	£	s.	d.
1. Fresh Beef—Fore-quarters .. .. .	per cwt.	2	10 0
2. " " Hind-quarters .. .. .	do.	2	10 0
3. " " Buttocks .. .. .	per lb.	0	0 7½
4. " Mutton .. .. .	do.	0	0 6½
5. Corned Beef—Rolled or round, as ordered, without bone or cartilage .. .. .	per cwt.	2	10 0

**SCHEDULE No. 6.—BALLARAT DISTRICT.**

ANNEX TO CONTRACT No. 1946/1140.

H. J. Symons Pty. Ltd., 1015 Macarthur-street, Ballarat.

**Sub-schedule No. 4.**

MEAT.

Security, £35.

	£	s.	d.
1. Fresh Beef—Forequarters .. .. .	per cwt.	3	3 0
2. " " Buttocks .. .. .	do.	3	17 0
3. " Mutton .. .. .	per lb.	0	0 7½
4. Mince Meat .. .. .	do.	0	0 7
5. Sausage—Beef, German .. .. .	do.	0	0 8
6. Tripe—Fresh (alternative) .. .. .	do.	0	0 5
7. Suet—Fresh, Kidney .. .. .	do.	0	0 7
8. Black Puddings .. .. .	do.	0	0 6

**SCHEDULE No. 7.—BEECHWORTH DISTRICT.**

ANNEX TO CONTRACT No. 1946/1141.

E. Spencer, Camp-street, Beechworth.

**Sub-schedule No. 4.**

MEAT.

Security, £30.

	£	s.	d.
1. Fresh Beef—Roast .. .. .	per cwt.	2	18 4
2. " " (Group D) .. .. .	per lb.	0	0 7
3. " Mutton .. .. .	do.	0	0 6½
4. " " (Group D) .. .. .	do.	0	0 6½
5. Minced Meat .. .. .	do.	0	0 6
6. Sausages—Mixed .. .. .	do.	0	0 7
7. Sausage Meat .. .. .	do.	0	0 5½
8. " —Beef, German .. .. .	do.	0	0 9½
9. Suet—Kidney .. .. .	do.	0	0 6
10. Saveloys (alternative) .. .. .	per doz.	0	0 9

**SCHEDULE No. 8.—CASTLEMAINE DISTRICT.**

ANNEX TO CONTRACT No. 1946/1142.

Ewing's "W.K. & H.S.," 91 Mostyn-street, Castlemaine.

**Sub-schedule No. 2.**

MEAT.

Security, £5.

	£	s.	d.
1. Fresh Beef .. .. .	per lb.	0	0 9
2. Corned Beef—Rolled, without bone or cartilage .. .. .	do.	0	0 8½
3. Fresh Mutton .. .. .	do.	0	0 8
4. Sausages—Mixed .. .. .	do.	0	0 7
5. Sausage Meat .. .. .	do.	0	0 6

**SCHEDULE No. 9.—SCHOOL OF FORESTRY, CRESWICK.**

ANNEX TO CONTRACT No. 1946/1143.

H. J. Symons Pty. Ltd., 1015 Macarthur-street, Ballarat.

**Sub-schedule No. 4.**

MEAT.

Security, £3.

	£	s.	d.
1. Fresh Beef—Forequarters .. .. .	per lb.	0	0 11
2. " Mutton .. .. .	do.	0	0 10
3. Veal (Leg or Loin) .. .. .	do.	0	0 10
4. Sausages—Mixed .. .. .	do.	0	0 8½
5. Steak—Minced .. .. .	do.	0	0 8½
6. Frys—Lamb's .. .. .	do.	0	0 6
7. Fresh Suet—Kidney .. .. .	do.	0	0 6
8. Hearts—Ox .. .. .	do.	0	0 5
9. Tongues—Ox .. .. .	do.	0	0 9
10. Tails—Ox .. .. .	do.	0	0 9
11. Dripping, Beef .. .. .	do.	0	0 6

**SCHEDULE No. 10.—MOLEOD SETTLEMENT,**

FRENCH ISLAND.

ANNEX TO CONTRACT No. 1946/1144.

L. G. Mule, Lang Lang.

**Sub-schedule No. 3.**

MEAT.

Security, £5.

	£	s.	d.
1. Fresh Beef .. .. .	per cwt.	3	6 8
2. " Mutton (Group D) .. .. .	per lb.	0	0 7

SCHEDULE No. 11.—HEATHERTON SANATORIUM,  
CHELTENHAM.

ANNEX TO CONTRACT No. 1946/1145.

W. Angliss and Co. (Aust.) Pty. Ltd., 42 Bourke-street,  
Melbourne, C.1.

Sub-schedule No. 3.

MEAT.\*

Security, £5.		£ s. d.	
1. Fresh Beef, Roast .. ..	per lb.	0 0	8½
2. Beef, Corned—Rolled or Round, ordered, without bone or cartilage	as do.	0 0	9½
3. Mutton, Fresh .. ..	do.	0 0	5
4. Chops—Forequarter .. ..	do.	0 0	6½
5. Veal—Leg .. ..	do.	0 0	9½
6. Steak—Blade Bone .. ..	do.	0 0	11
7. „ Mince .. ..	do.	0 0	7½
8. Sausage—Meat .. ..	do.	0 0	5
9. Sausages—Mixed .. ..	do.	0 0	7½
0. Tripe—Fresh .. ..	do.	0 0	3½
11. Brains—Sheeps' .. ..	per set	0 0	3
12. Frys—Lambs' .. ..	each	0 0	6
13. Kidneys—Ox .. ..	per lb.	0 0	11
14. Sausage—Beef, German .. ..	do.	0 0	8
15. „ Strasburg, Pork .. ..	do.	0 0	11
16. Rabbits—Fresh .. ..	per pair	0 2	4
17. Saveloys .. ..	per doz.	0 1	3

SCHEDULE No. 12.—SANATORIUM, GREENVALE.

ANNEX TO CONTRACT No. 1946/1146.

F. Watkins Pty. Ltd., 184 Bourke-street, Melbourne, C.1.

Sub-schedule No. 3.

MEAT (cuts as ordered).

Security, £7.		£ s. d.	
† 1. Fresh Beef—Roast .. ..	per lb.	0 0	10
2. „ „ Topside .. ..	do.	0 0	11
3. „ „ Rump .. ..	do.	0 1	7
4. Beef, Corned—Silverside .. ..	do.	0 0	11
5. Fresh Mutton—Sides .. ..	do.	0 0	6½
6. Cutlets—Mutton .. ..	do.	0 0	9½
7. „ Veal .. ..	do.	0 0	11
8. Chops—Mid. Loin .. ..	do.	0 0	9½
9. „ Leg .. ..	do.	0 0	9½
10. „ Fore-quarter .. ..	do.	0 0	6
11. Steak—Minced .. ..	do.	0 0	7½
12. Minced Meat .. ..	do.	0 0	5
13. Frys—Lambs' .. ..	do.	0 0	6
14. Fresh Pork—Loin .. ..	do.	0 1	3
15. Pickled Pork—Loin .. ..	do.	0 1	3
16. Veal—Legs, Boned .. ..	do.	0 0	10
17. Tripe—Fresh, Ox .. ..	do.	0 0	5
18. Tails—Ox .. ..	do.	0 0	8
19. Tongues—Ox .. ..	do.	0 0	8
20. „ Sheep .. ..	per doz.	0 2	0
21. Sausages—Mixed .. ..	per lb.	0 0	8
22. „ Pork .. ..	do.	0 0	10
23. Sausage—Strasburg, Pork .. ..	do.	0 1	3
24. Suet—Fresh, Kidney .. ..	do.	0 0	6
25. Kidneys—Ox .. ..	do.	0 0	11
26. Brains .. ..	per set	0 0	3
27. Fresh Rabbits .. ..	per pair	0 2	8
28. Poultry—First Quality .. ..	do.	0 15	0
29. Frankfurts .. ..	per badls.	0 1	0
30. Saveloys .. ..	per doz.	0 1	6

† This item is subject to reduction by half if Pork is available.

\* Rates subject to variation in accordance with determinations of Prices Commissioner.

SCHEDULE No. 13.—COORIE MUNGLE PRISON CAMP,  
HEYTESBURY FOREST.

ANNEX TO CONTRACT No. 1946/1147.

Tarrant Bros., Timboon.

Sub-schedule No. 3.

MEAT.

Security, £4.		£ s. d.	
1. Fresh Beef .. ..	per lb.	0 0	11½
2. „ Mutton .. ..	do.	0 0	11
3. Dripping—Beef .. ..	do.	0 0	6

SCHEDULE No. 16.—SALE GAOL.

ANNEX TO CONTRACT No. 1946/1148.

H. L. G. Laws, 111 Raymond-street, Sale.

Sub-schedule No. 2.

MEAT.

Security, £3.		£ s. d.	
1. Fresh Beef—Stewing .. ..	per lb.	0 0	6½
2. „ Mutton .. ..	do.	0 0	6½

SCHEDULE No. 17.—PLEASANT CREEK SPECIAL SCHOOL,  
STAWELL.

ANNEX TO CONTRACT No. 1946/1149.

Ada J. West, 65 Main-street, Stawell.

Sub-schedule No. 4.

MEAT.

Security, £3.		£ s. d.	
1. Fresh Beef—Prime ribs .. ..	per lb.	0 0	9
2. „ „ Sirloin .. ..	do.	0 0	9
3. „ „ „ Stewing (minced when required)	do.	0 0	8
4. Beef—Corned, Silverside .. ..	do.	0 0	8½
5. Fresh Mutton—Chops (loin) .. ..	do.	0 0	6
6. „ „ Sides .. ..	do.	0 0	6
7. Sausages—Mixed .. ..	do.	0 0	6
8. Frys—Lambs' .. ..	each	0 0	3
9. Tripe, fresh .. ..	per lb.	0 0	8
10. Saveloys .. ..	per doz.	0 1	0
11. Tongues—Ox .. ..	per lb.	0 0	8

SCHEDULE No. 18.—SUNBURY DISTRICT.

ANNEX TO CONTRACT No. 1946/1150.

F. Watkins Pty. Ltd., 184 Bourke-street, Melbourne, C.1.

Sub-schedule No. 5.

MEAT.

Security, £40.		£ s. d.	
1. Fresh Beef—Forequarter .. ..	per cntl.	2 12	0
2. „ „ Buttocks .. ..	per lb.	0 0	9½
3. „ Mutton .. ..	do.	0 0	6½
4. Corned Beef, Rolled or Round, as ordered, without bone or cartilage	do.	0 0	10
5. Sausages—Mixed .. ..	do.	0 0	8
6. Sausage—Mince .. ..	do.	0 0	5
7. Tripe—Fresh .. ..	do.	0 0	6

CONTRACTS ACCEPTED.—(Series 1946-47.)

Contract No.	Particulars.	Amount.	Name of Contractor.	Charge against Vote or Fund.
1129	PROVISIONS— Supply of Butter and Cheese in such quantities as may be ordered from 1st October, 1946, to 30th September, 1947	Rates as per annex	Melbourne Butter Supply Pty. Ltd.	Contingencies, 1946-47, 1947-48
1130	" " "	"	Holdenson and Nielson Fresh Food Pty. Ltd.	
1131	" " "	"	The Ararat and District Co-operative Butter Factory Co. Ltd.	

Approved—P. L. COLEMAN, Assistant Treasurer. 24.9.46.

ANNEX TO CONTRACTS Nos. 1946/1129 to 1946/1131.  
Schedule No. 21.

PROVISIONS—BUTTER AND CHEESE.

CONTRACT FROM 1ST OCTOBER, 1946, TO 30TH SEPTEMBER, 1947.

1946/1129.—Melbourne Butter Supply Pty. Ltd. Security, £450.

1946/1130.—Holdenson and Nielson Fresh Food Pty. Ltd. Security, £200.

1946/1131.—The Ararat and District Co-operative Butter Factory Co. Ltd. Security, £60.

**Butter.**—To be first grade Creamery Butter, to score not less than 91 points Government Grade, Commerce Regulations Standard, the ruling market rate for which shall be deemed to be four shillings and eight pence per cwt. below the ruling market rate for Choicest Grade as published in the *Argus* newspaper on the first Tuesday or Wednesday, as the case may be, in each month.

**Cheese.**—To be first class quality, semi or fully matured, as ordered, and not less than three months old. If the quantity admits, it shall be boxed for transport.

Item No.	Particulars.	Rate.	Name of Contractor.
1	Melbourne District— Butter .. .. .	Per cwt.—Ruling market rate ..	Melbourne Butter Supply Pty. Ltd.
2	Cheese .. .. .	Per cwt.—£6 ls. 4d. . . . .	
3	Mont Park District— Butter .. .. .	Per cwt.—Ruling market rate ..	Melbourne Butter Supply Pty. Ltd.
4	Cheese .. .. .	Per cwt.—£6 ls. 4d. . . . .	
5	Ararat District— Butter .. .. .	Per cwt.—Ruling market rate ..	The Ararat & District Co-operative Butter Factory Co. Ltd.
6	Cheese .. .. .	Per cwt.—£6 ls. 4d. . . . .	
7	Ballarat District— Butter .. .. .	Per cwt.—Ruling market rate, plus 2s. 4d.	Holdenson & Nielson Fresh Food Pty. Ltd.
8	Cheese .. .. .	Per cwt.—£6 ls. 4d. . . . .	
9	Beechworth District— Butter .. .. .	Per cwt.—Ruling market rate, plus 2s. 4d.	Holdenson & Nielson Fresh Food Pty. Ltd.
10	Cheese .. .. .	Per cwt.—Ruling market rate . . . . .	
11	Greenvale—Sanatorium— Butter .. .. .	Per cwt.—Ruling market rate ..	Melbourne Butter Supply Pty. Ltd.
12	Stawell—Pleasant Creek Special School— Butter .. .. .	Per cwt.—Ruling market rate, plus 2s. 4d.	Holdenson & Nielson Fresh Food Pty. Ltd.
13	Sunbury District— Butter .. .. .	Per cwt.—Ruling market rate, plus 2s. 4d.	
14	Cheese .. .. .	Per cwt.—£6 ls. 4d. . . . .	Melbourne Butter Supply Pty. Ltd.

CONTRACTS ACCEPTED.—(Series 1946-47.)

VICTORIAN RAILWAYS.

58. Screw cutting lathes and accessories, at rates (Contract 55514).—McPherson's Ltd. 59. Internal grinding machine, for £2,999 (Contract 55711).—McPherson's Ltd. 60. Air conditioning equipment, at rates (Contract 55722).—J. Wildridge and Sinclair Pty. Ltd. 61. Screw cutting centre lathes, for £737 17s. 6d. (Contract 55735).—McPherson's Ltd. 62. Hewn timber, at rates (Contract 55851).—A. Flinn, senr.

By order of the Victorian Railways Commissioners,

E. C. EYERS, Secretary. 27.9.46.

PROVISIONS.—CEREALS.

Requirements under Sub-Schedule No. 5 of Schedule No. 1 for the month of October, are to be purchased under agreement, from Robert Harper and Co. Ltd., at the rate per cwt. indicated, viz.:—Oatmeal, plain, 22s. 6d.; Barley—pearl and unpearled, 22s. 6d.; Barley kernels, 24s.; Rice—dressed and unpolished, 24s.; Ryecena, 21s.—rates less 3 per cent. 14 days, or 2½ per cent. 30 days. Split peas are not available. Rates subject to variation in accordance with determinations of Prices Commissioner.

*Gazette* No. 182, 25th September, 1946, page 3048. In amendment of rates for items under Schedule No. 61—Packing, Engine, &c., substitute 31½ per cent. special discount in lieu of 32½ per cent.

W. H. RUTHERFORD, Secretary to the Tender Board, 30th September, 1946.

ORDERS IN COUNCIL.—(Series 1946-47.)

STATE ELECTRICITY COMMISSION.

1110. For the supply of eight only 2,500 kVA 22 kV three-phase voltage regulating equipments for distribution feeders, to Specification No. 46-47/21.—Australian General Electric Pty. Ltd.

1111. For the supply of four only motor-driven agitator mixers, of 3 cubic yard capacity, for construction at Yallourn and Kiewa hydro-electric scheme, to Quotation No. 3470.—Transport Equipment Company (Aust.) Pty. Ltd.

1112. For the supply of 450 tons of rails and 650 pairs of fishplates for railway and dredger tracks, Yallourn open cut, to Specification No. 46-47/45.—The Broken Hill Pty. Coy. Ltd.

1113. For the supply of five only 10,000 kVA 22 kV transformers for metropolitan main sub-stations, to Specification No. 46-47/3.—Australian General Electric Pty. Ltd.

1114. For the erection of brick and concrete shops, offices, store, &c., Yallourn Township, to Specification No. 46-47/27.—K. G. Hooker.

1115. For the supply of metal screenings, &c., for the construction and maintenance of roads at Yallourn, for a period of twelve months, to Specification No. 46-47/52.—E. Cook.

1116. For the supply of metal screenings, &c., for the construction and maintenance of roads at Yallourn, for a period of twelve months, to Specification No. 46-47/52.—Bayview Quarries.

1117. For the supply of one only 37,500 kVA transformer and spare windings for Newport Generating Station, to Specification No. 46-47/19.—Australian General Electric Pty. Ltd.

1118. For the supply of one only tractor-mounted mobile crane, of 25-40 cwt. capacity, for transport workshops, to Quotation No. 902.—Fowler Constructions Pty. Ltd.

1119. For the supply, fixing, and maintenance of fibrous plaster sheeting to five houses at Bogong, Kiewa hydro-electric scheme, to Quotation No. 508.—J. A. Terrett and Co. Pty. Ltd.

1120. For the supply of spare parts for turbo-generators, Yallourn Generating Station, to Quotation No. 698.—Australian General Electric Pty. Ltd.

1121. For the supply of vitrified stoneware pipes and fittings for house connexions, Yallourn sewerage scheme, to Quotation No. 790.—Cornwall's Potteries.

1122. For the supply of one only 12-ton low loading semi-trailer for the transportation of underground mains cable, to Quotation No. 713.—Fowler Constructions Pty. Ltd.

1123. For the supply of 648 feet alloy steel tubes and bars for general purposes, Kiewa hydro-electric scheme.—Department of Munitions.

1124. For the supply of 63,920 super feet sawn hardwood for housing of personnel, Yallourn.—H. J. Saunders.

1125. For the supply of 128,083 super feet sawn hardwood for housing of personnel, Yallourn.—Parbury, Henty and Co. Pty. Ltd.

1126. For the supply of two only electric motor-driven air compressors and spare parts for construction works at Yallourn, to Specification No. 45-46/138.—Ingersoll-Rand (Aust.) Pty. Ltd.

1127. For the dismantling of a "Crossley" engine at Shepparton, and re-erection at the Hamilton Generating Station, to Quotation No. 901.—William Adams and Co. Ltd.

1128. For the supply of 2,400 gallons Valvoline medium turbine oil for turbo-generators at Newport Generating Station, to Quotation No. 791.—Valvoline Oil Co.

Approved by the Governor in Council, 24th September, 1946.—C. W. KINSMAN, Clerk of the Executive Council.

#### STATE RIVERS AND WATER SUPPLY COMMISSION.

##### Stores Suspense Account—

1105. Supply, delivery, and stacking at Millewa main pumping station of 2,000 tons of pine firewood, £1,191 13s. 4d.—C. H. Russell.

1106. Supply, delivery, and stacking at Millewa main pumping station of 7,000 tons of pine firewood, £4,062 10s.—H. Russell.

Approved by the Governor in Council, 23rd July, 1946.—C. W. KINSMAN, Clerk of the Executive Council.

##### Stores Suspense Account—

1107. Supply f.o.r. Eureka of 2,520 feet of 12-in. diameter mild-steel cement-lined pipes, £1,351 7s.—Cowley's Eureka Ironworks Pty. Ltd.

##### Loan—

1108. Supply of 13 tractors with auxiliary equipment, 3 concrete breakers, 1 air compressor, 2 pneumatic saws, 1 "Le Tourneau" model 10-ton crane, 1 Malcolm Moore 2-ton crane on Massey-Harris 203 tractor, 4 rooters, 4 scrapers, and 2 McGrath trailers, £31,286 10s.—Allied Works Council.

Approved by the Governor in Council, 30th July, 1946.—C. W. KINSMAN, Clerk of the Executive Council.

##### Stores Suspense Account—

1109. Supply, delivery, and stacking at Millewa "A" Sub-station of 2,000 tons of pine firewood, £1,300.—J. M. Peck.

Approved by the Governor in Council, 10th September, 1946.—C. W. KINSMAN, Clerk of the Executive Council.

#### ELECTRIC LIGHT AND POWER ACT 1928.

*At the Executive Council Chamber, Melbourne, the twenty-fourth day of September, 1946.*

##### PRESENT:

His Excellency the Lieutenant-Governor of Victoria.  
Mr. McKenzie | Mr. Hayes.

#### APPROVAL OF METHOD OF CHARGING UNDER THE APOLLO BAY ELECTRIC LIGHTING ORDER No. 242, 1940.

WHEREAS the undertakers under the Apollo Bay Electric Lighting Order No. 242, 1940, have made application for the approval of the Governor in Council of the method of charging set out hereunder, His Excellency the Lieutenant-Governor of the State of Victoria, by and with the advice of the Executive Council thereof, pursuant to the power, in that behalf reserved in clause 32 of the Order aforesaid, doth

hereby approve of the undertakers charging for electricity supplied by them to any consumer for normal residential use for lighting, cooking, heating, or power by a fixed periodical or service charge whether any or no electricity is consumed during the period for which it is payable and a charge according to the amount of electricity supplied; and doth also hereby prescribe that the prices to be charged by the undertakers for electricity supplied by the foregoing method shall not exceed the following rates, calculated as set out hereunder:—

A service charge of 1s. per month for every assessable\* room which does not exceed 350 square feet in floor area, plus 1s. per month for every 350 square feet of floor area or odd fraction thereof of every assessable room in such premises, the floor area of which exceeds 350 square feet (but the service charge in respect of any one room shall not exceed 2s. per month), and, in addition, for any amount of electricity supplied, 6d. per unit; but (subject to the minimum monthly charge provided for in section 3 of the Fourth Schedule) the amount chargeable to any consumer under this method shall not be higher than a sum calculated at the rate of 1s. 6d. per unit used in any month: Provided however that the Governor in Council upon the recommendation of the Commission may vary such maximum rates in the manner provided for in clause 34 of the Order aforesaid.

\* An assessable room is any room (whether lighted by electricity or not and other than those exempted below) used or erected for use as a dining-room, kitchen, bedroom, dressing-room, sunroom, ballroom, lounge, servery, library, billiard-room, sleep-out, laboratory, dispensary, gymnasium or the like, or any enclosed verandah or vestibule used for such purpose. The following are normally exempt in assessing service charges:—Passages, pantries, lobbies, bathrooms, lavatories, cellars, entrance halls, porches, garages, private workshops, sculleries, and washhouses where not combined with kitchens, verandahs and vestibules, unless such verandahs when enclosed or vestibules are used for the purposes stated above.

And the Honorable Patrick John Kennelly, His Majesty's Minister in Charge of Electrical Undertakings for the State of Victoria, shall give the necessary directions herein accordingly.

C. W. KINSMAN,  
Clerk of the Executive Council.

#### COUNTRY ROADS BOARD.

*At the Executive Council Chamber, Melbourne, the twenty-fourth day of September, 1946.*

##### PRESENT:

His Excellency the Lieutenant-Governor of Victoria.  
Mr. McKenzie | Mr. Hayes.

#### ORDER APPROVING OF A NEW MAIN ROAD IN THE SHIRE OF WARANGA.

WHEREAS the Country Roads Board constituted under the *Country Roads Act 1928* (No. 3662) has represented to His Excellency the Governor in Council that it appears to be desirable that the Murchison-Rushworth road in the Shire of Waranga should be made by the said Board: And whereas the said Board in accordance with the requirements of section 19 of the said cited Act has caused to be prepared a map plan and estimate showing the points between which and on and through what land the said new road is proposed to be made and the cost of acquiring the land and constructing the said new road: And whereas on an inspection of the said map and plan and a consideration of the said estimate His Excellency the Governor in Council is satisfied that there are funds legally available for acquiring the land and constructing the said new road: Now therefore be it known by this present Order that His Excellency the Lieutenant-Governor of the State of Victoria with the advice of the Executive Council thereof doth hereby approve of the said road being made, that is to say:—

All that piece of land in the Parish of Moora, the boundaries of which are as follow:—Commencing at the north-western angle of allotment 17, section A, of the said parish; thence by lines bearing respectively 51 deg. 33 min. 2,984.2 links, 59 deg. 4 min. 337.1 links, 66 deg. 34 min. 23 links, 231 deg. 33 min. 3,304.7 links, and 285 deg. 48 min. 61.6 links to the point of commencement—which said piece of land is particularly delineated and shown coloured red on survey plan numbered 4753, lodged in the office of the Country Roads Board.

And the Honorable Patrick John Kennelly, His Majesty's Commissioner of Public Works for the State of Victoria, shall give the necessary directions herein accordingly.

C. W. KINSMAN,  
Clerk of the Executive Council.

## PUBLIC WORKS DEPARTMENT.

At the Executive Council Chamber, Melbourne, the  
twenty-fourth day of September, 1946.

## PRESENT:

His Excellency the Lieutenant-Governor of Victoria.  
Mr. McKenzie | Mr. Hayes.

## RE-SUBDIVISION OF THE SHIRE OF LOWAN.

WHEREAS by the *Local Government Act 1928* (No. 3720) and the *Local Government Act 1934* (No. 4279), it is enacted that the Governor in Council may from time to time make Orders exercising certain powers therein set forth, amongst others, to subdivide or re-subdivide any municipal district into any number of subdivisions, not exceeding eight, and that every such Order shall be published in the *Government Gazette*, and whereas the powers conferred upon the Governor in Council by the said Acts are now exercised upon an application of the Council of the Shire of Lowan for the re-subdivision of the municipal district of the said municipality:

Now, therefore, His Excellency the Lieutenant-Governor of the State of Victoria, by and with the advice of the Executive Council thereof, doth by this Order re-subdivide the Municipal District of the Shire of Lowan as follows, that is to say:—

*Nhill Riding* (enlarged and re-defined).—Commencing at the north-east angle of allotment 1, Parish of Balrootan; thence easterly by the north boundary of allotment 46 and a road to the road forming the west boundary of allotment 20; thence northerly by that road, and easterly by the road forming the north boundary of the said allotment, to the north-east angle thereof; thence southerly by the west boundary of allotment 21, and a line to the north boundary of allotment 18; thence by lines bearing respectively south 655 links, S. 82 deg. 43 min. W. 4,691 links, S. 7 deg. 19 min. E. 1,028 links, S. 82 deg. 41 min. W. 1,410 links, and S. 89 deg. 59 min. W. 3,760 links to the west boundary of allotment A; thence southerly by that boundary to the south boundary of the Township of Nhill; thence westerly by that township boundary to the southern angle of the Hospital Reserve; thence by the south-west boundary of that reserve and a line bearing N. 60 deg. 6 min. W. 1,550 links; thence by lines bearing respectively N. 29 deg. 54 min. E. 2,700 links, north 1,050 links, and west 3,450 links, to the road forming the west boundary of allotment 2; thence northerly by that road and a line to the Adelaide to Melbourne railway; thence north-easterly by that railway to the east boundary of allotment 1; and thence northerly by that boundary to the north-east angle of the said allotment, being the point of commencement.

*South Riding* (reduced and re-defined).—Commencing on the east boundary of the shire at the south-east angle of allotment 26, Parish of Balrootan; thence westerly by the western highway to a point on the north boundary of allotment 18 in line with the west boundary of allotment 21; thence by lines bearing respectively south 655 links, S. 82 deg. 43 min. W. 4,691 links, S. 7 deg. 19 min. E. 1,028 links, S. 82 deg. 41 min. W. 1,410 links, and S. 89 deg. 59 min. W. 3,760 links, to the west boundary of allotment A; thence southerly by that boundary to the south boundary of the Township of Nhill; thence westerly by that township boundary to the southern angle of the Hospital Reserve; thence by the south-west boundary of that reserve and a line bearing N. 60 deg. 6 min. W. 1,550 links; thence by lines bearing respectively N. 29 deg. 54 min. E. 2,700 links, north 1,050 links, and west 3,450 links, to the road forming the west boundary of allotment 2; thence northerly by that road to the north-east angle of allotment 170A, Parish of Tarranginnie; thence south-westerly by a road to the south-east angle of allotment 166B; thence westerly by a road to the west boundary of the shire at the south-west angle of allotment 277; and thence by the shire boundary southerly, easterly, southerly, easterly, and northerly to the south-east angle of allotment 26, Parish of Balrootan, being the point of commencement.

*West Riding* (re-described).—Commencing on the west boundary of the shire at the south-west angle of allotment 277, Parish of Tarranginnie; thence by the shire boundary, northerly, westerly, northerly, easterly, northerly, easterly, southerly, and easterly to the road forming the east boundary of allotment 117, Parish of Warraquil; thence southerly by that road and the west boundary of allotment 75; thence westerly and southerly by the north and west boundaries of allotment 73, and westerly and southerly by the north and west boundaries of allotment 72 to the road at the north-east angle of allotment 114; thence southerly and easterly by that road to the north-west angle of allotment 69; thence southerly by the west boundary of that allotment to the south-east angle of allotment 114 before mentioned; thence southerly, easterly, southerly, and westerly by roads to the north-east angle of allotment 118; thence southerly by the

east boundary of that allotment to the road forming the north boundary of the Parish of Yanac-a-Yanac; thence easterly by that road and southerly by the road forming the east boundary of that parish to the road forming the north boundary of the Parish of Tarranginnie; thence easterly by that road and southerly by the road forming the east boundary of the latter parish to the north-east angle of allotment 170A, Parish of Tarranginnie; thence south-westerly by a road to the south-west angle of allotment 166B; and thence westerly by a road to the south-west angle of allotment 277, being the point of commencement.

*East Riding* (re-described).—Commencing on the east boundary of the shire at the south-east angle of allotment 26, Parish of Balrootan; thence northerly and westerly by the shire boundary to the road forming the east boundary of allotment 117, Parish of Warraquil; thence southerly by that road and the west boundary of allotment 75; thence westerly and southerly by the north and west boundaries of allotment 73, and westerly and southerly by the north and west boundaries of allotment 72 to the road at the north-east angle of allotment 114; thence southerly and easterly by that road to the north-west angle of allotment 69; thence southerly by the west boundary of that allotment to the south-east angle of allotment 114 before mentioned; thence southerly, easterly, southerly, and westerly by roads to the north-east angle of allotment 118; thence southerly by the east boundary of that allotment to the road forming the north boundary of the Parish of Yanac-a-Yanac; thence easterly by that road and southerly by the road forming the east boundary of that parish to the road forming the north boundary of the Parish of Tarranginnie; thence easterly by that road and southerly by the road forming the east boundary of the latter parish to the Adelaide to Melbourne railway; thence north-easterly by that railway to the east boundary of allotment 1, Parish of Balrootan; thence northerly by that boundary to the north-east angle of the said allotment; thence easterly by the north boundary of allotment 46 and a road to the road forming the west boundary of allotment 20; thence northerly by that road and easterly by the road forming the north boundary of the said allotment to the north-east angle thereof; thence southerly by the west boundary of allotment 21 and a line to the western highway; and thence easterly by that highway to the south-east angle of allotment 26, being the point of commencement.

And the Honorable Patrick John Kennelly, His Majesty's Commissioner of Public Works for the State of Victoria, shall give the necessary directions herein accordingly.

C. W. KINSMAN,  
Clerk of the Executive Council.

## POISONS ACTS.

At the Executive Council Chamber, Melbourne, the  
twenty-fourth day of September, 1946.

## PRESENT:

His Excellency the Lieutenant-Governor of Victoria.  
Mr. McKenzie | Mr. Hayes.

## FURTHER REGULATIONS.

## FOURTH SCHEDULE TO THE "POISONS ACT 1928."

*Poisonous Substances and Preparations.*

UNDER the powers in that behalf conferred by the Poisons Acts, His Excellency the Lieutenant-Governor of the State of Victoria, by and with the advice of the Executive Council thereof, and on the recommendation of the Pharmacy Board of Victoria, doth make the Regulations following:—

## POISONS REGULATIONS 1946.

1. These Regulations may be cited as the "Poisons Regulations 1946," and shall be read and construed as one with the Poisons Regulations 1930 and the Poisons Regulations 1931, 1932, 1936, and 1940.

2. In Regulation 38A of the Poisons Regulations 1930, delete from the first paragraph the words "his own name and address" and "with the words 'Poisonous—Not to be taken.'"

The foregoing Regulations were recommended by the Pharmacy Board of Victoria by Resolution at its meeting held at Melbourne on the 14th day of August, 1946.

The common seal of the Board was heretunto affixed by the Registrar, in the presence of—

H. A. BRAITHWAITE, Member of the Board.  
(SEAL) A. L. JONES, Member of the Board.  
F. C. KENT, Registrar.

And the Honorable William Peter Barry, His Majesty's Minister of Health for the State of Victoria, shall give the necessary directions herein accordingly.

C. W. KINSMAN,  
Clerk of the Executive Council.



COURTS OF GENERAL SESSIONS OF THE PEACE FOR THE YEAR 1947.

At the Executive Council Chamber, Melbourne, the twenty-fourth day of September, 1946.

PRESENT:

His Excellency the Lieutenant-Governor of Victoria.  
Mr. McKenzie | Mr. Hayes.

IN pursuance of the provisions of the *Justices Act 1928*, His Excellency the Lieutenant-Governor of the State of Victoria, by and with the advice and consent of the Executive Council thereof, doth by this present Order direct that the dates for holding Courts of General Sessions of the Peace during the year 1947 be appointed as specified in the subjoined Schedule, viz.:—

BALLARAT .. .. .	Tuesday, 25th March
	Tuesday, 27th May
	Tuesday, 8th July
	Tuesday, 23rd September
	Wednesday, 5th November
BENDIGO .. .. .	Wednesday, 12th March
	Tuesday, 10th June
	Tuesday, 12th August
	Tuesday, 21st October
	Tuesday, 9th December
GEELONG .. .. .	Tuesday, 18th March
	Tuesday, 6th May
	Tuesday, 22nd July
	Tuesday, 16th September
	Tuesday, 25th November
HAMILTON .. .. .	Tuesday, 11th February
	Tuesday, 13th May
HORSHAM .. .. .	Tuesday, 9th September
	Tuesday, 29th April
	Tuesday, 15th July
	Tuesday, 14th October
KERANG .. .. .	Tuesday, 1st April
	Wednesday, 18th June
	Tuesday, 28th October
KORUMBURRA .. .. .	Tuesday, 15th April
	Tuesday, 26th August
	Tuesday, 2nd December
MELBOURNE .. .. .	Wednesday, 15th January
	Monday, 3rd February
	Monday, 3rd March
	Tuesday, 1st April
	Thursday, 1st May
	Monday, 2nd June
	Tuesday, 1st July
	Friday, 1st August
	Monday, 1st September
	Wednesday, 1st October
	Monday, 3rd November
	Monday, 1st December
MILDURA .. .. .	Tuesday, 4th March
	Tuesday, 20th May
	Tuesday, 19th August
	Tuesday, 11th November
SALE .. .. .	Tuesday, 4th February
	Tuesday, 24th June
	Tuesday, 2nd September
SHEPPARTON .. .. .	Tuesday, 25th February
	Tuesday, 3rd June
	Tuesday, 7th October
WANGARATTA .. .. .	Tuesday, 18th February
	Tuesday, 1st July
	Tuesday, 18th November
WARRNAMBOOL .. .. .	Tuesday, 22nd April
	Tuesday, 5th August
	Tuesday, 16th December

And the Honorable William Slater, His Majesty's Solicitor-General for the State of Victoria, shall give the necessary directions herein accordingly.

C. W. KINSMAN,  
Clerk of the Executive Council.

DEPARTMENT OF LANDS AND SURVEY.

At the Executive Council Chamber, Melbourne, the twenty-fourth day of September, 1946.

PRESENT:

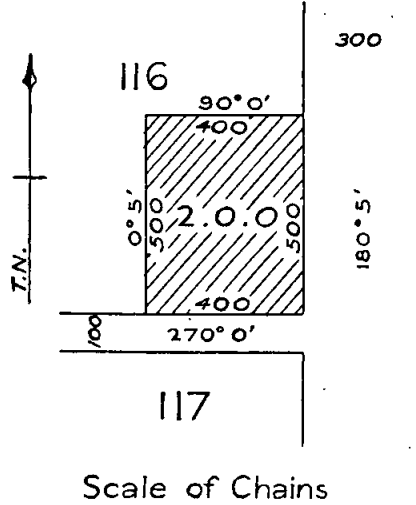
His Excellency the Lieutenant-Governor of Victoria.  
Mr. McKenzie | Mr. Hayes.

LANDS TEMPORARILY RESERVED.

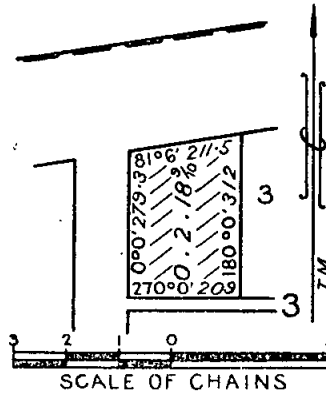
HIS Excellency the Lieutenant-Governor of the State of Victoria, by and with the advice of the Executive Council thereof, doth hereby, in pursuance of the provisions of the

*Land Act 1928*, reserve, temporarily, for certain purposes, and also except from occupation for mining purposes under any miner's right, the lands hereinafter described:—

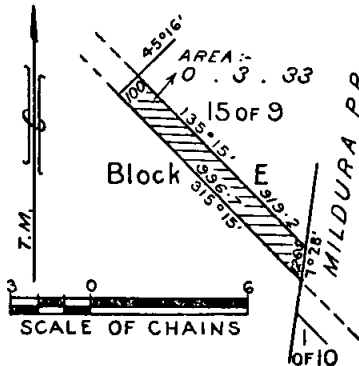
DUNMUNKLE.—Site for State School purposes, 2 acres, Parish of Dunmunkle, County of Borung, as indicated by hachure on plan hereunder.—(D.180 (c<sup>4</sup>) (Rs.5879).



PIANGIL.—Site for Police purposes, 2 roods 18 9/10 perches, Township of Piangil, Parish of Piangil, County of Tatchera, as indicated by hachure on plan hereunder.—(P.148 (L<sup>1</sup>) (Rs.5876).



MILDURA.—Site for Road purposes, 3 roods 33 perches, Parish of Mildura, County of Karkaroo, as indicated by hachure on plan hereunder.—(M.556 (9) (Rs.5881).



And the Honorable Leslie William Galvin, His Majesty's Commissioner of Crown Lands and Survey for the State of Victoria, shall give the necessary directions herein accordingly.

C. W. KINSMAN,  
Clerk of the Executive Council.

DEPARTMENT OF LANDS AND SURVEY.

At the Executive Council Chamber, Melbourne, the twenty-fourth day of September, 1946.

PRESENT:

His Excellency the Lieutenant-Governor of Victoria.

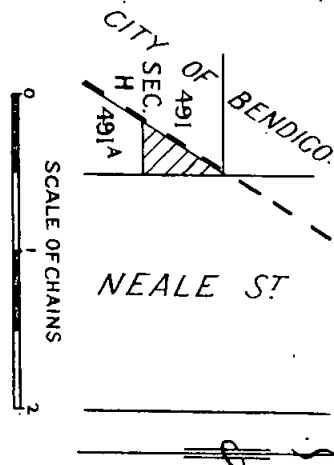
Mr. McKenzie | Mr. Hayes.

UNUSED AND UNMADE ROADS CLOSED.

HIS Excellency the Lieutenant-Governor of the State of Victoria, by and with the advice of the Executive Council thereof, doth hereby direct that, in pursuance of the provisions of section 304 of the Land Act 1928 (No. 3709), the unused and unmade roads referred to hereunder be closed, viz.:-

Parish of Tyntynder West, County of Tatchera, being the road lying between allotment 25a and allotment 20B of section 1.—(T.244(L.4) (3511/12).

Parish of Sandhurst, County of Bendigo, being the road indicated by hachure on plan hereunder.—(S.371(13) (C.90054).



And the Honorable Leslie William Galvin, His Majesty's Commissioner of Crown Lands and Survey for the State of Victoria, shall give the necessary directions herein accordingly.

C. W. KINSMAN, Clerk of the Executive Council.

MARKETING OF PRIMARY PRODUCTS ACT 1935 (No. 4337).

At the Executive Council Chamber, Melbourne, the first day of October, 1946.

PRESENT:

His Excellency the Lieutenant-Governor of Victoria.

Mr. Cain | Mr. Kennelly  
Mr. McKenzie | Mr. Fraser.

REGULATIONS.

IN pursuance of the powers conferred by section 43 (b) of the Marketing of Primary Products Act 1935 (No. 4337), His Excellency the Lieutenant-Governor of the State of Victoria, by and with the advice of the Executive Council thereof, and on the recommendation of the Onion Marketing Board, doth hereby make the following Regulations (that is to say):-

1. Every producer of onions who has planted at least one-quarter (1/4) acre with onions during the period 1st January, 1946, to 31st August, 1946, is hereby required to register with the Onion Marketing Board, 140 Queen-street, Melbourne, on or before the 19th October, 1946, the following particulars:-

- (a) His full name and address.
- (b) If onions are being produced under a share-farming or partnership agreement, the names and addresses of shareholders or partners, and the proportionate shares of each.

(c) The varieties planted and the area of each such variety

(d) Locality where onions are planted.

2. Every producer who fails to register any or all of the particulars above mentioned with the Onion Marketing Board shall be guilty of an offence and liable to a penalty of Five pounds.

3. Every producer who wilfully registers with the Onion Marketing Board any particulars required by these Regulations which are false or misleading shall be guilty of an offence and liable to a penalty of Five pounds.

And the Honorable William George McKenzie, His Majesty's Minister of Agriculture for the State of Victoria, shall give the necessary directions herein accordingly.

C. W. KINSMAN, Clerk of the Executive Council.

APPROACHING LAND SALES.

SALES of Crown lands, in fee-simple, will be held at the under-mentioned places and dates, viz.:-

	No. of Gazette.
Alexandra.—Friday, 4th October, 1946	175
Dingee.—Wednesday, 16th October, 1946	182

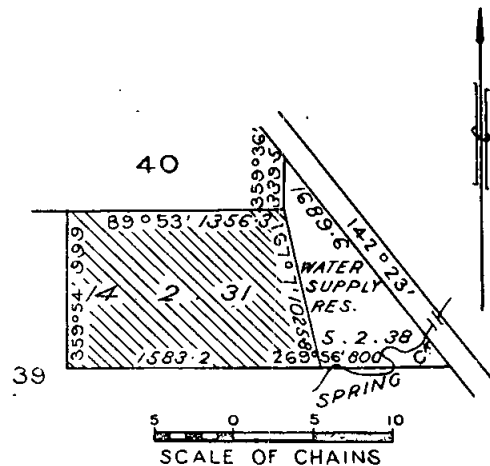
Lands and Survey Office, Melbourne.

PROPOSED REVOCATION OF TEMPORARY RESERVATION OF LAND BY ORDER IN COUNCIL.

IN pursuance of the provisions of the Land Act 1928, notice is hereby given that it is the intention of the Governor in Council to revoke the temporary reservation of land by Order in Council hereunder referred to, viz.:-

The following Notice was published 1<sup>o</sup> on the 11th September, 1946, pursuant to Order of the 13th August, 1946.

KILLAWARRA.—The Order in Council of the 23rd March, 1911, temporarily reserving 20 acres 1 rood 30 perches of land in the Parish of Killawarra, as a site for Water Supply purposes is about to be revoked so far as regards the portion thereof comprising 14 acres 2 roods 31 perches, as indicated by hachure on plan hereunder.—(K.124(3) (Rs.1251).



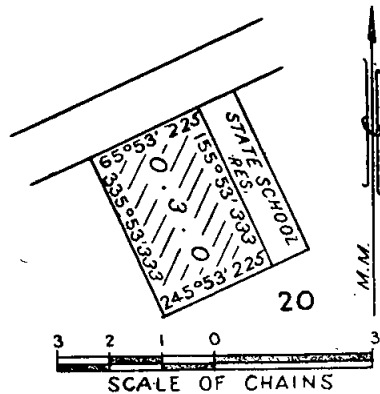
L. W. GALVIN, Commissioner of Crown Lands and Survey.

**PROPOSED REVOCATION OF TEMPORARY RESERVATIONS OF LANDS BY ORDERS IN COUNCIL.**

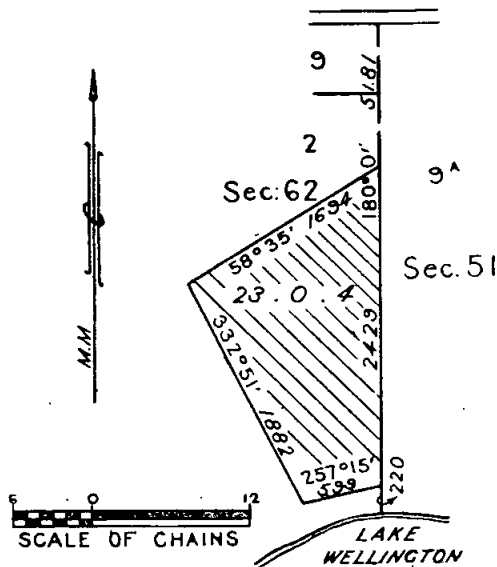
IN pursuance of the provisions of the *Land Act 1928*, notice is hereby given that it is the intention of the Governor in Council to revoke the temporary reservations of lands by Orders in Council hereunder referred to, viz.:—

The following Notices were published 1° on the 11th September, 1946, pursuant to Orders of the 3rd September, 1946.

**MARDAN.**—The Order in Council of the 26th October, 1903, temporarily reserving 1 acre of land in the Parish of Mardan as a site for a State School is about to be revoked so far only as regards the portion thereof as indicated by hachure on plan hereunder.—(M.524<sup>(4)</sup>) (C.88146).

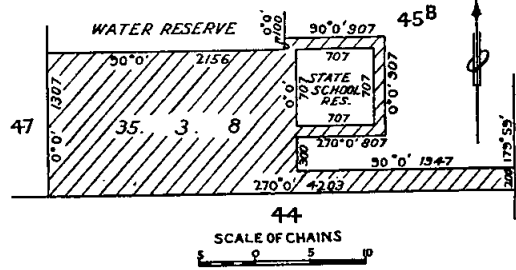


**MEERLIEU.**—The Order in Council of the 2nd of February, 1880, *Gazette* 80/326, withholding from leasing or licensing 422 acres of land in the Parish of Meerlieu, being allotments 1 and 2 of section 62, revoked as to part by Order of 16th August, 1886, *Gazette* 86/2426, is about to be further revoked so far only as regards the portion indicated by hachure on plan hereunder.—(M.413<sup>(6)</sup>) (H.017655).



**NI NI.**—The Order in Council of the 20th of November, 1882, temporarily reserving as a site for Conservation of Water, and withholding from sale, leasing, and licensing 163 acres and 22 perches of land in the Parish of Ni Ni, being part of allotment 45, revoked as to part by Orders of No. 185.—19350/46—2

the 21st of October, 1889, and the 25th of October, 1927, is about to be revoked so far only as regards the portion indicated by hachure on plan hereunder.—(N.124<sup>(2)</sup>) (Rs.5810).



**HAMILTON.**—The Order in Council of the 8th of May, 1888, temporarily reserving 4 acres and 1 rood of land in the Town of Hamilton as a site for Hospital purposes in addition to the site permanently reserved therefor by Order in Council of the 7th of July, 1873, is about to be revoked.—(H.45<sup>(2)</sup>) (Rs.3454).

**ST. ARNAUD.**—The Orders in Council of the 21st of June, 1872, 17th of October, 1885, and 16th of April, 1937, temporarily reserving, respectively, 5 acres of land in the Town of St. Arnaud as a site for Showyards for the use of the St. Arnaud Pastoral and Agricultural Society, 5 acres of land as an addition thereto, and both sites for the additional purpose of Public Recreation, are about to be revoked.—(S.206<sup>(8)</sup>) (Rs.663).

L. W. GALVIN,  
Commissioner of Crown Lands and Survey.

**PROPOSED REVOCATION OF TEMPORARY RESERVATIONS OF LANDS BY ORDERS IN COUNCIL.**

IN pursuance of the provisions of the *Land Act 1928*, notice is hereby given that it is the intention of the Governor in Council to revoke the temporary reservations of lands by Orders in Council hereunder referred to, viz.:—

The following Notices were published 1° on the 2nd October, 1946, pursuant to Orders of the 24th September, 1946.

**COORIEJONG (SCOTT'S CREEK).**—The Order in Council of the 27th October, 1910, temporarily reserving 10 acres of land in the Township of Cooriejong, as a site for Supply of Gravel, is about to be revoked.—(C.428<sup>(4)</sup>) (C.44147).

**YEKUNG.**—The Order in Council of the 17th February, 1891, temporarily reserving 2 acres of land in the Parish of Yeerung, as a site for a State School, is about to be revoked.—(Y.78<sup>(2)</sup>) (2382/121).

**EUROA.**—The Order in Council of the 22nd March, 1887, temporarily reserving 12 acres 3 roods 6 perches of land in the Town of Euroa, as a site for Recreation purposes for the use of Friendly Societies, is about to be revoked.—(E.81<sup>(2)</sup>) (Rs.5714).

**EDENHOPE.**—The Order in Council of the 6th March, 1905, temporarily reserving 5 acres of land in the Town of Edenhope, as a site for a Rubbish Depot, is about to be revoked.—(E.91<sup>(6)</sup>) (Rs.4142).

L. W. GALVIN,  
Commissioner of Crown Lands and Survey.

**PUBLIC HEARINGS BY PERSONS APPOINTED UNDER THE 34TH SECTION OF THE LAND ACT 1928.**

NOTICE is hereby given that at the times and places mentioned in the Schedule hereunder, applications for leases and licences under the Land Acts, objections to such applications, objections to proposed proclamations, alterations, additions, diminutions, revocations, or unions of commons, and reasons against forfeiture of any leases or licences under the Land Acts deemed liable to forfeiture, will be publicly heard by the persons whose names are set opposite such places respectively in such Schedule, being persons appointed by me, the responsible Minister of the Crown administering the Land Acts, to hear the same and report thereon in writing to me.

L. W. GALVIN,  
Commissioner of Crown Lands and Survey.

Department of Lands and Survey,  
Melbourne, 30th September, 1946.

**SCHEDULE.**

- WARRNAMBOOL COURT HOUSE, Tuesday, 15th October, 1946, at 2.30 p.m.—A. L. Reah, Land Officer.
- KERANG, Monday, 14th October, 1946, at 11 a.m.—H. J. Henkel.
- SWAN HILL, Tuesday, 15th October, 1946, at 12 noon.—H. J. Henkel.
- ROBINVALE, Tuesday, 15th October, 1946, at 4.30 p.m.—H. J. Henkel.
- DAYLESFORD, Wednesday, 9th October, 1946, at 11 a.m.—H. J. Henkel.

LIST OF CROWN LANDS AVAILABLE.

THE under-mentioned areas are available for application as provided by various sections of the *Land Act 1928*, and all applications received on or before Wednesday, 30th October, 1946, will be deemed to have been simultaneously made, but any application lodged after such date may be considered if received in time for inclusion in the advertisement of the cases to be heard at the Local Land Board. Applications on proper form, accompanied by 5s. duty stamp uncancelled (registration fee), may be delivered or forwarded by post to the Local Land Officer or to any Crown Lands Office in Victoria. Applicants may obtain from Local Land Officers, or the Enquiry Office, Lands Department, Melbourne, a certificate authorizing the issue by the Railway Department of a return ticket at concession fares to enable them to inspect available areas or to attend Local Land Boards. When an applicant is granted an allotment he may, if travelling by rail, obtain reduced fares for his family and also freight concessions in regard to some of his effects.

Subject to the approval of the Minister, when the survey fee exceeds £10, a deposit of £5 may be paid, and the balance over six years in half-yearly instalments. Marked plans of any particular area, application forms, and any further information may be obtained from the Enquiry Office, Lands Department, Melbourne, and Land Officer, Redcliffs.

Department of Crown Lands and Survey,  
Melbourne, 30th September, 1946.  
L. W. GALVIN,  
Commissioner of Crown Lands and Survey.

Local Land Office.	County.	Parish.	Allotment.	Section.	Area.	How available.		Survey Fee.	Valuation of improvements (if any).	Location of Land, &c.	Nearest Railway Station or Township and Distance in miles therefrom.	How accessible.	Water Supply.	General Description of Land—Soil, Timber, Suitability (Grazing, &c.).	
						Classification.	Value per Acre.								
				A. B. P.		£ s. d.		£ s. d.							
Redcliffs (a)	Karkaroc	Merbein ..	7	G	15 0 0	1st	2 10 0	3 17 6	Nil	In north of parish	.. Morbein, 1½ miles	By road ..	To be conserved	Suitable for market gardening. Mallee 01918/121	
Sale (a, b)	Bulu Bulu	Tanjil ..	7	..	226 0 0	3rd	0 10 0	16 7 6	To be valued.	In west of parish	.. Moe, 10 miles	By road ..	To be conserved	Undulating light sandy soil, mossmate, dogwood etc., suitable for grazing.—25/121	

AGRICULTURAL AND GRAZING LANDS—SELECTION PURCHASE ALLOTMENTS.—Division 4, Part I., *Land Act 1928*.  
AVAILABLE UNDER SECTION 189—MALLEE LANDS.

(a) Subject to survey. (b) Subject to timber condition.

## THE CLOSER SETTLEMENT ACT 1938.

THE Farm Allotments mentioned in the Schedule hereunder are hereby proclaimed available for application, and may be taken up under Closer Settlement Lease.

Parish.	Allotments.	Section.	Area.	Monetary Liability.		Deposit, including Lease and Registration Fees.		Term of Lease.	Remarks.
				£	s. d.	£	s. d.		
Mirboo ..	48E and 48F	..	A. B. P. 244 0 6	2,000	0 0*	301	5 0	35½ years; £23 7s. 6d. quarterly	

\* Includes house, outbuildings, and fencing improvements, valued at £20, to be paid for in addition.

L. W. GALVIN,  
Commissioner of Crown Lands and Survey.

Department of Lands and Survey,  
Melbourne, 30th September, 1946.

## TENDERS.

TENDERS will be received at this office until **TEN A.M.** on the days and for the purposes under mentioned.

Particulars may be learnt at this office, and also at the offices named in each instance.

The Board of Land and Works will not necessarily accept the lowest or any tender.

8th October, 1946.

Ararat.—Supply of machine shop equipment, High School. Preliminary deposit, £15. Final deposit, 2 per cent.

Ararat.—Electrical installation in additions for technical classes, High School. Particulars at Inspector of Works Office, Stawell; Police Station, Ararat. Preliminary deposit, £10. Final deposit, 2 per cent.

Bayles.—General repairs, external and internal painting to school building, &c., State School No. 4374. Particulars at Police Stations, Dandenong, Loch; State School, Bayles. Deposit, £4.

Cavendish.—New partition, &c., and new windows, State School No. 116. Particulars at Inspector of Works Offices, Hamilton, Stawell; Police Station, Coleraine; State School, Cavendish. Deposit, £4.

Cornishtown.—Repairs to school and erection of new sleep-out at residence, State School No. 802. Particulars at Inspector of Works Office, Wangaratta; Police Station, Wodonga; State School, Cornishtown. Deposit, £4.

Diggers Rest.—Repairs and painting, State School No. 2479. Particulars at Inspector of Works Office, Bendigo; Police Stations, Castlemaine, Kyneton; State School, Digger's Rest. Deposit, £2.

Edenhope.—Conversion of Army huts to classrooms, State School No. 817. Particulars at Inspector of Works Offices, Horsham, Stawell; Police Station, Dimboola. Preliminary deposit, £10. Final deposit, 2 per cent. (Amended specification.)

Forest Hill.—Additions, repairs, and painting, State School No. 4251. Particulars at State School, Forest Hill. Preliminary deposit, £10. Final deposit, 2 per cent.

Greenvale.—Supply and delivery of two (2) electrically-heated food trolleys, Sanatorium. Preliminary deposit, £4. Final deposit, 2 per cent.

Hill End.—Repairs and painting, State School No. 3054. Particulars at Inspector of Works Office, Bairnsdale; Police Stations, Moe, Warragul; State School, Hill End. Preliminary deposit, £5. Final deposit, 2 per cent.

Kew.—Supply and installation of one (1) electric goods lift, Mental Hospital. Preliminary deposit, £15. Final deposit, 2 per cent.

Koonwarra.—Repairs and painting, State School No. 3177. Particulars at Inspector of Works Office, Korumburra; Police Stations, Foster, Wonthaggi; State School, Koonwarra. Deposit, £3.

Leonard's Hill.—Repairs and painting, school and residence, State School No. 931. Particulars at Inspector of Works Office, Bendigo; Police Stations, Castlemaine, Daylesford; State School, Leonard's Hill. Preliminary deposit, £4. Final deposit, 2 per cent.

Longerenong.—New quarters in timber for farm hands, Agricultural College. Particulars at Inspector of Works Offices, Ballarat, Horsham; Agricultural College, Longerenong. Preliminary deposit, £20. Final deposit, 2 per cent.

Longwood.—Repairs and renovations, State School No. 2707. Particulars at Inspector of Works Office, Benalla; Police Stations, Euroa, Seymour; State School, Longwood. Preliminary deposit, £5. Final deposit, 2 per cent.

Melbourne.—Improved lavatory accommodation, Government Printing Office. Deposit, £5.

Prahran.—Repairs and painting, State School No. 3774, Deaf and Dumb Institute, St. Kilda-road. Preliminary deposit, £10. Final deposit, 2 per cent.

Melbourne.—Supply and installation of exhaust fans in the melting department, Royal Mint. Preliminary deposit, £3. Final deposit, 2 per cent.

Mordialloc.—Removal of hutments from Preston and erection, Emergency Housing. Particulars at Police Station, Mordialloc. Preliminary deposit, £5. Final deposit, 2 per cent.

Moyhu.—Heating stove, repairs, and painting, State School No. 1335. Particulars at Inspector of Works Offices, Benalla, Wangaratta; State School, Moyhu. Deposit, £4.

Murrayville.—Supply and installation of refrigerator, State School No. 3743. Preliminary deposit, £3. Final deposit, 2 per cent.

Nanneella South.—Repairs and painting, State School No. 1857. Particulars at Inspector of Works Office, Shepparton; Police Stations, Echuca, Elmore; State School, Nanneella South. Preliminary deposit, £3. Final deposit, 2 per cent.

Outtrim.—Renovations, repairs, and painting, State School No. 3229. Particulars at Inspector of Works Office, Korumburra; Police Station, Wonthaggi; State School, Outtrim. Preliminary deposit, £5. Final deposit, 2 per cent.

Pascoe Vale.—Supply and installation of an electric hot-water service, Police Station. Deposit, £2.

Port Melbourne.—Supply of saw bench, cross-cutting drag saw, and valve seating and refacing machines, Public Works Department Storeyard, Salmon-street. Final deposit, 2 per cent.

Research.—Repairs, external and internal painting, State School No. 2959. Particulars at Police Station, Eltham; State School, Research. Deposit, £4.

Sarsfield.—Additions, painting, &c., State School No. 1228. Particulars at Inspector of Works Office, Bairnsdale; Police Station, Sale; State School, Sarsfield. Preliminary deposit, £5. Final deposit, 2 per cent.

Sunshine.—Repairs and painting, State School No. 3113. Particulars at State School, Sunshine. Preliminary deposit, £15. Final deposit, 2 per cent.

Warrnambool.—Alterations, repairs, and painting, Police Station. Particulars at Inspector of Works Office, Warrnambool; Police Station, Warrnambool. Deposit, £4.

Welshpool.—Re-blocking building, new floors, repairs, and painting, school, and repairs, painting, and new bath-heater, residence, State School No. 3011. Particulars at Inspector of Works Office, Korumburra; Police Station, Yarram; State School, Welshpool. Preliminary deposit, £10. Final deposit, 2 per cent.

15th October, 1946.

Ararat.—Supply and installation of refrigerator, Ward M.12, Mental Hospital. Preliminary deposit, £3. Final deposit, 2 per cent.

Arawata.—Repairs and painting, State School No. 2970. Particulars at Inspector of Works Office, Korumburra; Police Station, Loch; State School, Arawata. Preliminary deposit, £5. Final deposit, 2 per cent.

Avenel.—Painting and repairs, State School No. 8. Particulars at Inspector of Works Office, Benalla; Police Stations, Euroa, Seymour; State School, Avenel. Preliminary deposit, £5. Final deposit, 2 per cent.

Avenel.—Repairs and painting, Police Station. Particulars at Inspector of Works Offices, Benalla, Wangaratta; Police Stations, Euroa, Avenel. Deposit, £4.

Bairnsdale.—Erection of police offices in brick, Police Station. Particulars at Inspector of Works Office, Bairnsdale; Police Stations, Bairnsdale, Sale. Preliminary deposit, £15. Final deposit, 2 per cent.

**Ballarat.**—Erection of new shelter pavilion, State School No. 695. Particulars at Inspector of Works Office, Ballarat; State School, Ballarat. Preliminary deposit, £5. Final deposit, 2 per cent.

**Ballendella.**—Repairs, painting, and internal renovations, residence, State School No. 3732. Particulars at Inspector of Works Office, Bendigo; Police Stations, Echuca, Rochester; State School, Ballendella. Deposit, £3.

**Blakeville.**—Repairs, &c., and painting, State School No. 1247. Particulars at Inspector of Works Office, Ballarat; Police Station, Bacchus Marsh; State School, Blakeville. Deposit, £4.

**Box Hill.**—Renovations, caretaker's quarters, Technical School. Particulars at Technical School, Box Hill. Deposit, £2.

**Box Hill.**—Repairs and painting, Girls' Technical School. Deposit, £2.

**Clunes.**—Alterations, erection of new shelter, &c., State School No. 1552. Particulars at Inspector of Works Office, Ballarat; State School, Clunes. Preliminary deposit, £15. Final deposit, 2 per cent.

**Cohuna.**—Repairs and renovations to desks, State School No. 2502. Particulars at Inspector of Works Office, Bendigo; Police Stations, Echuca, Kerang; State School, Cohuna. Preliminary deposit, £3. Final deposit, 2 per cent.

**Corryong.**—Painting, repairs, and additions, school and residence, State School No. 1309. Particulars at Inspector of Works Office, Wangaratta; Police Station, Tallangatta; State School, Corryong. Preliminary deposit, £15. Final deposit, 2 per cent.

**Dalyston.**—Painting and repairs, State School No. 3376. Particulars at Inspector of Works Office, Korumburra; Police Stations, Leongatha, Wonthaggi; State School, Dalyston. Preliminary deposit, £5. Final deposit, 2 per cent.

**Ferny Creek.**—Repairs, renovations, painting, &c., State School No. 3228. Particulars at Police Station, Ferny Creek; State School, Ferny Creek. Preliminary deposit, £5. Final deposit, 2 per cent.

**Goornong.**—Supply and installation of fuel hot-water service, Police Station. Particulars at Inspector of Works Office, Bendigo. Deposit, £2.

**Gormandale East.**—General repairs and painting, State School No. 2877. Particulars at Inspector of Works Office, Korumburra; Police Stations, Sale, Traralgon; State School, Gormandale East. Preliminary deposit, £5. Final deposit, 2 per cent.

**Goroke.**—Erection of new timber residence, office, and out-buildings, Police Station. Particulars at Inspector of Works Offices, Horsham, Stawell; Police Stations, Goroke, Nhill. Preliminary deposit, £15. Final deposit, 2 per cent.

**Hopetoun.**—Removal of State School No. 4132, Nyallo, and re-erection and renovations, State School No. 3167. Particulars at Inspector of Works Office, Horsham; Police Stations, Hopetoun, Rainbow. Deposit, £4.

**Hopetoun.**—Removal of State School No. 4122, Wilhelmina, re-erection and renovations, State School No. 3167. Particulars at Inspector of Works Office, Horsham; Police Stations, Hopetoun, Rainbow. Deposit, £3.

**Hopetoun.**—Renovations, partition, and new stove, State School No. 3167. Particulars at Inspector of Works Office, Horsham; Police Stations, Nhill, Rainbow; State School, Hopetoun. Preliminary deposit, £5. Final deposit, 2 per cent.

**Horsham.**—Supply and installation of fuel hot-water service, Police Station. Particulars at Inspector of Works Offices, Ballarat, Horsham. Deposit, £2.

**Jack River.**—Repairs and painting, State School No. 2765. Particulars at Inspector of Works Office, Korumburra; Police Station, Foster; State School, Jack River. Deposit, £3.

**Jumbunna.**—Repairs and painting, residence, State School No. 2954. Particulars at Inspector of Works Office, Korumburra; Police Stations, Leongatha, Warragul; State School, Jumbunna. Deposit, £3.

**Kew.**—Supply and installation of two (2) domestic type refrigerators, Children's Cottages, Mental Hospital. Preliminary deposit, £4. Final deposit, 2 per cent.

**Koroit.**—Renovations and repairs, school and residence, State School No. 618. Particulars at Inspector of Works Office, Warrnambool; Police Stations, Koroit, Port Fairy; State School, Koroit. Preliminary deposit, £5. Final deposit, 2 per cent.

**Lismore.**—Supply and installation of an electric hot-water service, Police Station. Particulars at Inspector of Works Offices, Ballarat, Geelong; Police Station, Lismore. Deposit, £2.

**Main Ridge.**—Repairs and painting, State School No. 2481. Particulars at Police Station, Mornington; State School, Main Ridge. Deposit, £4.

**Maroona.**—Removal of residence from State School No. 1068, Norval, and re-erection at State School No. 1943. Particulars at Inspector of Works Office, Stawell; Police Station, Ararat; State School, Maroona. Preliminary deposit, £10. Final deposit, 2 per cent.

**Mount Park.**—New drainage system, laundry block, Mental Hospital. Preliminary deposit, £5. Final deposit, 2 per cent.

**Murtoa.**—Supply and installation of fuel hot-water service, Police Station. Particulars at Inspector of Works Offices, Ballarat, Horsham. Deposit, £2.

**Narracan.**—General repairs, external painting, and new flight of stairs to school, State School No. 2295. Particulars at Inspector of Works Office, Korumburra; Police Stations, Moe, Warragul; State School, Narracan. Deposit, £4.

**Red Cliffs.**—Supply and installation of a fuel hot-water service, Police Station. Particulars at Inspector of Works Offices, Ballarat, Bendigo, Mildura; Police Station, Red Cliffs. Deposit, £2.

**Rosebud.**—Alterations, repairs, and painting, State School No. 2627. Particulars at Police Stations, Frankston, Mornington; State School, Rosebud. Deposit, £4.

**Stawell.**—Supply and delivery of clothes-pressing machine, Pleasant Creek Special School. Preliminary deposit, £4. Final deposit, 2 per cent.

**Sunbury.**—Supply and installation of hot-water service, Male Staff Block, Mental Hospital. Particulars at Police Station, Sunbury. Preliminary deposit, £4. Final deposit, 2 per cent.

**Swan Hill.**—Supply and installation of a fuel hot-water service, Police Station. Particulars at Inspector of Works Offices, Bendigo, Swan Hill; Police Station, Kerang. Deposit, £2.

**Toora.**—Re-blocking school and residence, repairs and painting, State School No. 2253. Particulars at Inspector of Works Office, Korumburra; Police Station, Yarram; State School, Toora. Preliminary deposit, £10. Final deposit, 2 per cent.

**Trentham.**—Supply and installation of electric hot-water service, Police Station. Particulars at Police Station, Trentham. Preliminary deposit, £2. Final deposit, 2 per cent.

**Victoria Park.**—Repairs and painting, school and caretaker's quarters, State School No. 2957. Particulars at State School, Victoria Park. Deposit, £4.

**Wahgunyah.**—Repairs and painting, State School No. 644. Particulars at Inspector of Works Offices, Benalla, Wangaratta; Police Station, Wodonga. Preliminary deposit, £4. Final deposit, 2 per cent.

**Whitfield.**—Erection of new office, residence, and out-buildings, Police Station. Particulars at Inspector of Works Offices, Benalla, Wangaratta; Police Stations, Euroa, Whitfield. Preliminary deposit, £15. Final deposit, 2 per cent.

**Woorndoo.**—Enlarging of porches to school and residence, repairs and renovations, State School No. 1001. Particulars at Inspector of Works Office, Warrnambool; Police Station, Mortlake; State School, Woorndoo. Preliminary deposit, £5. Final deposit, 2 per cent.

**Yering.**—Repairs, painting, and new wash-house, and store-room, school and residence, State School No. 1074. Particulars at Police Stations, Healesville, Lilydale; State School, Yering. Preliminary deposit, £4. Final deposit, 2 per cent.

22nd October, 1946.

**Melbourne.**—Supply and installation of mechanical ventilation system, Workers' Compensation Board, 412 Collins-street, Preliminary deposit, £5. Final deposit, 2 per cent.

Tenders to be addressed to the Honorable the Commissioner of Public Works, and envelope containing tender marked "Tender for

P. J. KENNELLY,  
Commissioner of Public Works.

Melbourne, 1st October, 1946.

Land Act 1928, Section 121.

TENDERS FOR GRAZING.

FOR THE PERIOD AS STATED, COMMENCING 1ST NOVEMBER, 1946, AND RENEWABLE FOR A FURTHER PERIOD WHERE STATED.

Tender Forms and all particulars can be obtained on application to the Lands Department, Melbourne, or any of the Land Offices in the country.

Tenders endorsed "Tender for Grazing" should be placed in the Lands Department Tender Box, State Treasury Buildings, Melbourne, C.2, at or before Noon on Thursday, 24th October, 1946.

TENDERS are invited and must be lodged at the Lands Department, Melbourne, at or before Noon on Thursday, 24th October, 1946, for the right to depasture stock on the following unappropriated portions of lands subject to the Regulations approved by the Governor in Council and also the subjoined conditions.

CONDITIONS.

1. The period of occupation will be from 1st November, 1946, to 30th September, 1947, with respect to lots 1 to 11 inclusive, and to 31st October, 1947, with respect to lots 12 to 15 inclusive, and will be renewable annually where stated.

2. The rent for eleven months for lots 1 to 11 inclusive, and for one year for lots 12 to 15 inclusive, for which the licence will be issued, and the licence fee of 7s. 6d., must accompany the tender; otherwise the offer of the next highest tenderer who complies with this condition may be accepted.

3. The licensee shall pay shire rates and all other charges for the period of occupation.

4. Separate tenders must be lodged for each block.

5. Tenders to be addressed to the Secretary for Lands (Tender-box), Melbourne, and endorsed "Tenders for Grazing."

6. The highest or any tender not necessarily accepted.  
7. Tenderers must give their full name, occupation, and ordinary postal address.

8. Where permission to fence has been granted, the outgoing tenant has the option to remove any existing fencing owned by him within one month, or he may arrange with the incoming tenant to pay for it in accordance with the provisions of section 124, Land Act 1928.

This does not apply to cases where the land was the subject of an Expired Grazing Area Lease. In all such cases, the ingoing tenant will be held responsible for the care and maintenance of any improvements.

L. W. GALVIN,  
Commissioner of Crown Lands and Survey.

Department of Lands and Survey,  
Melbourne, 27th September, 1946.

	Area, Acres.	Area, Acres.
Lot 10 (1300)— Parish of Cabanandra, being that portion of grazing block 5A, County of Croajingolong, north of the Bonang River. Formerly licensed to N. A. McDonald. Period of occupation, eleven months from 1st November, 1946, renewable annually for four years from 1st October, 1947.—(Bairnsdale 196/121.)	7,420	
Lot 11 (B1301)— Grazing block 22, Parishes of Binnican and Koomberar, County of Dargo. Formerly licensed to W. B. Miles. Period of occupation, eleven months from 1st November, 1946, renewable annually for four years from 1st October, 1947.—(Bairnsdale 108/121.)	19,230	
Lot 12 (B1302)— Grazing block 70, Parishes of Wau Wauka and Wau Wauka West, County of Croajingolong. Formerly licensed to J. A. Allan. Period of occupation, one year from 1st November, 1946, renewable annually for four years from 1st November, 1947.—(Bairnsdale 8/121.)	15,600	
Lot 13 (B1303)— Grazing block 64, Parishes of Baawang, Karlo, Toonyarak, and Wooyoot, County of Croajingolong. Formerly licensed to Dowell Brothers. Period of occupation, one year from 1st November, 1946, renewable annually for four years from 1st November, 1947.—(Bairnsdale 4/121.)	29,000	
Lot 14 (B1304)— Grazing blocks 13A and 13B, Parish of Koonika, County of Delatite. Formerly licensed to F. J. Christie. Period of occupation, one year from 1st November, 1946, renewable annually for four years from 1st November, 1947.—(Beachworth 62/121.)	32,000	
Lot 15 (B1305)— Grazing block 10, Parishes of Cowa and Tarkeeth, County of Dargo. Formerly licensed to J. Phelan. Period of occupation, one year from 1st November, 1946, renewable annually for four years from 1st November, 1947.—(Sale 4/121.)	9,850	
Lot 1 (B1291)— Parish of Warrion, being the southern portion of water reserve, east of allotments 4, 5, 6, 7, 8, 9, and 6A2. Formerly licensed to W. Barry. Fencing allowed. The area of one acre adjacent to allotments 4 and 5 on which is erected mill, well, tank, trough, and hut is excluded. Outgoing licensee has the right to remove his improvements within one month or to require the incoming licensee to pay departmental valuation of same. Period of occupation, eleven months from 1st November, 1946.—(Geelong 202/121.)	25	
Lot 2 (B1292)— Being the Crown lands lying north of allotment 3, and between the State Forest and allotments 10, 11A, 12a, 12c, 13a, and part 9, Parish of Burrah Burrah. Formerly licensed to C. H. Fry. Period of occupation, eleven months from 1st November, 1946, renewable for one year from 1st October, 1947.—(Ararat 0217/121.)	2,000	
Lot 3 (B1293)— Being the Crown land lying between the State Forest and part allotment 9, Parish of Burrah Burrah. Formerly licensed to C. H. Fry. Period of occupation, eleven months from 1st November, 1946, renewable for one year from 1st October, 1947.—(Ararat 0221/121.)	500	
Lot 4 (1294)— Township and Parish of Ravenswood, being the area of Crown land at the rear of the railway residences adjoining the Ravenswood Railway Station. Formerly occupied by T. Scales. Period of occupation, eleven months from 1st November, 1946, renewable for one year from 1st October, 1947.—(Castlemaine 0492/121.)	6	
Lot 5 (B1295)— Parish of Nullan, County of Borung, being the camping and water reserves on the western boundary of the Parish, and lying north of allotments 72 and 72A. Formerly licensed by R. Childs. Any improvements to be maintained and protected. Period of occupation, eleven months from 1st November, 1946, renewable annually for four years from 1st October, 1947.—(Warracknabeal 028w/121.)	71	
Lot 6 (B1296)— Parishes of St. Clair and Tarldarn, being grazing block 16, County of Wonnangatta. Formerly licensed to E. C. Smith. Period of occupation, eleven months from 1st November, 1946, renewable annually for four years from 1st October, 1947.—(Alexandra 74/121.)	20,700	
Lot 7 (B1297)— Allotment 15, section 7, Parish of Byawatha, County of Bogong. Formerly licensed to C. S. Allen. Period of occupation, eleven months from 1st November, 1946, renewable annually for four years from 1st October, 1947.—(Beachworth 01045/121.)	460	
Lot 8 (B1298)— Allotment 25, section 1, Parish of Beloka, County of Benambra. Formerly licensed to W. J. Weir. Period of occupation, eleven months from 1st November, 1946, renewable annually for four years from 1st October, 1947.—(Omeo 85/121.)	1,100	
Lot 9 (1299)— Grazing blocks 27 and 28, Parishes of Kooroon and Onyim, County of Dargo. Formerly licensed to F. D. Waddell. Period of occupation, eleven months from 1st November, 1946, renewable annually for four years from 1st October, 1947.—(Bairnsdale 0716/121.)	30,570	

TENDERS FOR THE SERVICE, 1946-47.  
GENERAL STORES.

TENDERS will be received until Eleven o'clock a.m. on Friday, 18th October, 1946, from persons willing to supply the under-mentioned articles in such quantities as may be ordered by the Victorian Government during the period 1st November, 1946, to 30th September, 1947:—

Schedule No.	Preliminary Deposit.
68. Stamps, Rubber . . . . .	£ 3

The prices tendered must not include sales tax. Security.—Five per cent. of total amount of tender accepted, but in no case will security of less than £3 be received.

Schedules as above, with full particulars, may be obtained from the Secretary to the Tender Board, by whom also the samples will be shown and any information afforded to persons tendering.

In all cases the total cost of each item must be extended in the columns provided.

Tenders must be accompanied by the preliminary deposit, as shown above, preferably by non-negotiable cheque payable to the order of the Secretary to the Tender Board. The amount and designation of the preliminary deposit enclosed must be clearly stated in the tender. Savings Bank deposit book, fixed deposit receipts, Commonwealth Treasury bonds, or reference to securities on existing contracts will in no case be received or entertained as preliminary deposits. Preliminary deposits will be returned within 30 days to unsuccessful tenderers on their application.

Security will be required either in Commonwealth Treasury Bonds, or approved bank guarantee, fixed deposit receipt, Savings Bank deposit book, or non-negotiable cheque in favour of the Secretary to the Tender Board, as the tenderer may elect.

The security must be completed and the contract signed within five days of acceptance of the tender, failing which the contract may be again advertised, or another tender accepted.

The lowest or any tender will not necessarily be accepted.

In the event of tenderers withdrawing or attempting to withdraw their tenders before notification of acceptance of same, or failing to take up their accepted tenders within the prescribed period after notification of acceptance, the preliminary deposit will be forfeited and, in addition, they may be disqualified from tendering or holding any future contracts for Government supplies for a period of twelve months, such disqualification to date from the notification of acceptance of

tender. It is also stipulated that, if a tenderer be a member of a firm and such firm be interested in the contract, the tender shall be in the name of the firm and not in that of the individual and that, for a breach of this condition, the preliminary deposit will be forfeited and the tender declared informal.

Tenders enclosed in a separate envelope, and having the words "Tender for ————" (as the case may be) written thereon, must be deposited in the Tender-box at the Tender Board Offices, Gisborne-street, Melbourne, or, if sent by post, postage must be prepaid, and the tenders addressed to the Chairman of the Tender Board, Tender Board Offices, Gisborne-street, Melbourne, C.2, which office they must reach not later than by first post on the date of closing of tenders.

The conditions of contract are those published in the *Victoria Government Gazette*, No. 50, dated 20th March, 1946, pages 1030 to 1032.

JOHN CAIN,  
Treasurer.

The Treasury,  
Melbourne, 30th September, 1946.

## PRIVATE ADVERTISEMENTS.

### CITY OF BRIGHTON.

#### NOTICE OF INTENTION TO ACQUIRE LAND COMPULSORILY.

WHEREAS in pursuance of the powers conferred on it by the Local Government Acts, the Council of the municipality of the City of Brighton deems it expedient to execute certain works or undertakings for the purpose of providing walks, pleasure grounds, children's playgrounds, and places of public resort, and for municipal buildings and offices, for which purpose, in its opinion, the exercise of the compulsory power of taking certain land within the municipal district will be necessary, namely:—All that piece of land in the State of Victoria being lots 1 and 2 on plan of subdivision No. 15532 lodged in the Office of Titles, and being part of Dendy's Crown Special Survey, Parish of Moorabbin, County of Bourke, and more particularly described in certificate of title, volume 6767, folio 1353211, and has caused to be prepared maps, plans, specifications, sections, and elevations showing the nature and extent of the proposed works or undertakings and the exact site and admeasurements thereof, and the said land on which the same are proposed to be placed, and the names of the owners or reputed owners, lessees or reputed lessees, and the occupiers thereof, as far as such names can be ascertained by the Council, which said maps, plans, specifications, sections, and elevations have been approved by the Council.

Notice is hereby given that the said maps, plans, specifications, sections, and elevations are deposited at the office of the Council, Town Hall, Wilson-street, Brighton, and are there open for inspection by all persons interested during the hours the municipal offices are open for the space of 40 clear days from the date of the publication of this notice in the *Government Gazette*, within which time all persons affected by the proposed works or undertakings are hereby required to set forth, in writing, addressed to the Council or the Town Clerk, all objections which they may have to the said works or undertakings.

Dated this 1st day of October, 1946.

7911 H. C. FERGUSON, Town Clerk.

### CITY OF BRIGHTON.

#### BY-LAW No. 114.

##### Middle Brighton Baths.

A By-law of the City of Brighton, made under the provisions of the Local Government Acts, and under and pursuant to all other powers in that behalf enabling, for altering and amending By-law No. 96 of the City of Brighton, as amended by By-laws Nos. 101 and 108 of the City of Brighton, and numbered 114.

IN pursuance of the powers conferred by the Local Government Acts, the Mayor, Councillors, and Citizens of the City of Brighton order as follows:—

1. That on and after the coming into force of this By-law it shall form part of and be read as one with By-law 96, as amended by By-laws Nos. 101 and 108.

2. In this By-law the expression "the Council" shall mean the Mayor, Councillors, and Citizens of the City of Brighton.

3. No person shall in the Baths—

- (a) sell his time or services;
- (b) teach or attempt to teach any person or persons to swim;

(c) coach any person or persons in the sport or art of swimming;

(d) instruct or hold classes for the purpose of teaching swimming, gymnastics, or physical culture—

without having first obtained from the Council a licence so to do.

Provided that where the Council is satisfied that the person so teaching or coaching is not so teaching or coaching for direct monetary gain or reward it may dispense with the said application and licence.

4. The fee payable to the Council for each licence shall be 10s., and every such sum shall be exclusive of any admittance fees which may be due by him and/or his charges, or any of them.

5. Every person desirous of obtaining such a licence shall apply to the Council, in writing, setting forth—

(a) his full name and address;

(b) his qualification to be a teacher, or what he proposes to teach;

(c) the period for which he desires a licence;

(d) the names and addresses of two persons at least who can be referred to for evidence of suitability of the applicant;

(e) the days of the week (excluding Sundays) and the hours of such days for which the licence is required;

(f) the fees he proposes to charge his pupils.

6. On receipt of any application for a licence the Council shall consider the same, and if the applicant—

(a) produces satisfactory evidence, either by written reference or by the attendance before the Council of at least two persons of known character and integrity, that he is a fit and proper person to be granted a licence hereunder; and

(b) produces proofs of his qualifications to be granted a licence to teach the art or sport referred to in his application (such proofs must include a suitable certificate or certificates in Life Saving from the Royal Life Saving Society or other acceptable authority)—

the Council shall on payment of the prescribed fee grant such licence. Such licence shall, unless cancelled by the Council, expire on the 30th day of September following the issue of the licence. On the expiry of any licence a fresh application shall be made before a new licence shall be issued.

7. Any person who in the Baths teaches or coaches or attempts to teach, coach, or instruct any person or persons swimming, gymnastics, or physical culture without having first obtained a licence, and without being the holder of a current licence, shall on being requested so to do by the lessee or any of the attendants on duty in the Baths immediately desist from such teaching, coaching, or instructing.

8. The issue of a licence by the Council under the provisions hereof shall not entitle the holder to monopolize any part of the Baths, nor to interfere with the use and enjoyment of the Baths by any other person.

9. No person shall distribute in the Baths any hand-bill, dodger, or advertising matter.

10. Should the holder of a licence hereunder be convicted of any offence relating to morals, or of a breach of any By-law of the City of Brighton relating to or applying to the Baths, the Council may cancel such licence, and such conviction shall be a bar to the obtaining of any fresh licence.

11. Should the holder of a licence hereunder fail to give proper service to his or her pupils the Council, on complaint made to it by any person, may, if it considers such complaint justified, cancel the licence of such holder, or should the holder of a licence hereunder in the opinion of the Council conduct himself or herself in the Baths in such a manner as to be objectionable, or in a manner detrimental to the proper use and enjoyment of the Baths by any other person, the Council may cancel the licence of such holder.

12. A licence hereunder shall not entitle the holder thereof to operate in the Baths under such licence on Sundays or on such days and at such times as the Baths may be closed to the public.

Resolution for passing this By-law was agreed to by the Council on the 8th day of July, 1946, and confirmed the 5th day of August, 1946.

In witness whereof the common seal of the Mayor, Councillors, and Citizens of the City of Brighton was hereto affixed this 5th day of August, 1946—

R. E. TRACEY, Mayor.

R. E. TRICKEY, Councillor.

H. C. FERGUSON, Town Clerk.

(SEAL)

Confirmed by the Governor in Council, the 17th day of September, 1946.—C. W. KINSMAN, Clerk of the Executive Council.



## CITY OF BRIGHTON.

## BY-LAW No. 115.

*Brighton Beach Baths.*

A By-law of the City of Brighton, made under the provisions of the Local Government Acts, and under and pursuant to all other powers in that behalf enabling, for altering and amending By-law No. 102 of the City of Brighton, as amended by By-law No. 109 of the City of Brighton, and numbered 115.

IN pursuance of the powers conferred by the Local Government Acts, the Mayor, Councillors, and Citizens of the City of Brighton order as follows:—

1. That on and after the coming into force of this By-law it shall form part of and be read as one with By-law No. 102, as amended by By-law No. 109.

2. In this By-law the expression "the Council" shall mean the Mayor, Councillors, and Citizens of the City of Brighton.

3. No person shall in the Baths—

- (a) Sell his time or services.
- (b) Teach or attempt to teach any person or persons to swim.
- (c) Coach any person or persons in the sport or art of swimming.
- (d) Instruct or hold classes for the purpose of teaching swimming, gymnastics, or physical culture—

without having first obtained from the Council a licence so to do.

Provided that where the Council is satisfied that the person so teaching or coaching is not so teaching or coaching for direct monetary gain or reward, it may dispense with the said application and licence.

4. The fee payable to the Council for each licence shall be 10s., and every such sum shall be exclusive of any admittance fees which may be due by him and/or his charges, or any of them.

5. Every person desirous of obtaining such a licence shall apply to the Council, in writing, setting forth:—

- (a) His full name and address.
- (b) His qualification to be a teacher, or what he proposes to teach.
- (c) The period for which he desires a licence.
- (d) The names and addresses of two persons at least who can be referred to for evidence of suitability of the applicant.
- (e) The days of the week (excluding Sundays), and the hours of such days, for which the licence is required.
- (f) The fees he proposes to charge his pupils.

6. On receipt of any application for a licence, the Council shall consider the same, and if the applicant—

- (a) produces satisfactory evidence, either by written reference or by the attendance before the Council of at least two persons of known character and integrity, that he is a fit and proper person to be granted a licence hereunder, and
- (b) produces proofs of his qualifications to be granted a licence to teach the art or sport referred to in his application (such proofs must include a suitable certificate or certificates in life saving from the Royal Life Saving Society or other acceptable authority)—

the Council shall, on payment of the prescribed fee, grant such licence. Such licence shall, unless cancelled by the Council, expire on the 30th day of September following the issue of the licence. On the expiry of any licence, a fresh application shall be made before a new licence shall be issued.

7. Any person who, in the baths, teaches or coaches or attempts to teach, coach, or instruct any person or persons swimming, gymnastics, or physical culture without having first obtained a licence, and without being the holder of a current licence shall, on being requested so to do by the lessee or any of the attendants on duty in the baths, immediately desist from such teaching, coaching, or instructing.

8. The issue of a licence by the Council under the provisions hereof shall not entitle the holder to monopolize any part of the baths, nor to interfere with the use and enjoyment of the baths by any other person.

9. No person shall distribute in the baths any hand-bill, dodger, or advertising matter.

10. Should the holder of a licence hereunder be convicted of any offence relating to morals, or of a breach of any By-law of the City of Brighton relating to or applying to the baths, the Council may cancel such licence, and such conviction shall be a bar to the obtaining of any fresh licence.

11. Should the holder of a licence hereunder fail to give proper service to his or her pupils, the Council, on complaint made to it by any person may, if it considers such complaint justified, cancel the licence of such holder, or should the holder

of a licence hereunder, in the opinion of the Council, conduct himself or herself in the baths in such a manner as to be objectionable or in a manner detrimental to the proper use and enjoyment of the baths by any other person, the Council may cancel the licence of such holder.

12. A licence hereunder shall not entitle the holder thereof to operate in the baths under such licence on Sundays, or on such days and at such times as the baths may be closed to the public.

Resolution for passing this By-law was agreed to by the Council on the 8th day of July, 1946, and confirmed the 5th day of August, 1946.

In witness whereof the common seal of the Mayor, Councillors, and Citizens of the City of Brighton was hereto affixed, this 5th day of August, 1946—

R. E. TRACEY, Mayor.

(SEAL) R. E. TRICKEY, Councillor.

H. C. FERGUSON, Town Clerk.

Confirmed by the Governor in Council, the 17th day of September, 1946.—C. W. KINSMAN, Clerk of the Executive Council. 7910

## CITY OF HEIDELBERG.

## BY-LAW No. 138.

*Prohibiting Temporary Herding of Cattle.*

A By-law of the City of Heidelberg, made under the provisions of the Local Government Acts and particularly under and with reference to the *Local Government Act 1928*, section 197-5A, and numbered 138, for prohibiting the temporary herding of cattle at Macleod and Watsonia and declaring the areas populous and residential areas.

IN pursuance of the powers conferred by the Local Government Acts, the Mayor, Councillors, and Citizens of the City of Heidelberg, with the approval of the Governor in Council, order as follows:—

1. That the temporary herding of cattle shall be prohibited within the localities set out hereunder:—

- (a) the area bounded by Waiora-road, Ruthven-street, Cherry-street, and the railway line.
- (b) the area bounded by Erskine-road, Greensborough-road from Erskine-road to Yallambie-road, Yallambie-road from Greensborough-road to Frensham-road, Frensham-road for its full length, Lenola-street for its full length, Greensborough-road from Lenola-street northwards to the Eltham railway line; thence south-westerly via the railway line to Erskine-road.

2. The above areas are hereby declared to be populous and residential areas.

3. Any person offending against this By-law shall be liable to a penalty not exceeding £10.

The resolution for passing this By-law was agreed to by the Council on the 18th day of June, 1946, and confirmed on the 13th day of August, 1946.

G. E. FITZGERALD, Mayor.

A. E. CARLYLE, Councillor.

F. PHILLIPS, Town Clerk.

Approved by the Governor in Council on the 10th day of September, 1946.—C. W. KINSMAN, Clerk of the Executive Council. 7912

## BOROUGH OF SWAN HILL.

NOTICE is hereby given that Edgar Meldrum, of Swan Hill, has been appointed Poundkeeper of the Swan Hill Pound, vice William Henry Lee, resigned.

Notice is further given that the Council of the Borough of Swan Hill has, in accordance with section 22 (2) of the *Pounds Act 1928*, appointed Wednesday of each week as the day on which sales of impounded cattle shall be held at the Swan Hill Pound.

7904

F. B. WOMERSLEY, Town Clerk.

## BOROUGH OF WANGARATTA.

NOTICE is hereby given that Ernest John Warwick has been appointed Poundkeeper.

7890

J. McDONNELL, Town Clerk.

## SHIRE OF KERANG.

NOTICE OF INTENTION TO BORROW THE SUM OF £8,000  
FOR PERMANENT WORKS AND UNDERTAKINGS.

NOTICE is hereby given that the Council of the Shire of Kerang proposes to borrow, on the credit of the President, Councillors, and Ratepayers of the said Shire, the sum of Eight thousand pounds (£8,000), by the issue of debentures in accordance with the provisions of Part 15 of the *Local Government Act 1928*.

The maximum rate of interest that may be paid is Three pounds eight shillings and nine pence per centum per annum.

The moneys proposed to be borrowed are to be repayable at the Commercial Banking Company of Sydney Limited, Melbourne, or the Council's bankers for the time being by forty half-yearly instalments, the first of which is to be paid six months after the date upon which such money is advanced to the municipality, and thereafter at the expiration of each succeeding six months in which manner the said loan is to be liquidated.

The purpose for which the loan is to be applied is the purchase and installation of electric generating plant, &c., at the Kerang Power Station.

The specifications and estimate of the cost of the permanent works referred to above, together with a statement of the proposed expenditure of the moneys to be borrowed, are open for inspection at the Memorial Municipal Chambers, Kerang.

Dated at Kerang this 25th day of September, 1946.

7899

A. K. LYALL, Shire Secretary.

## SHIRE OF KERANG.

NOTICE OF INTENTION TO BORROW THE SUM OF £10,000  
FOR PERMANENT WORKS AND UNDERTAKINGS.

NOTICE is hereby given that the Council of the Shire of Kerang proposes to borrow, on the credit of the President, Councillors, and Ratepayers of the said Shire, the sum of Ten thousand pounds (£10,000), by the issue of debentures in accordance with the provisions of Part 15 of the *Local Government Act 1928*.

The maximum rate of interest that may be paid is Three pounds seven shillings and six pence per centum per annum.

The moneys proposed to be borrowed are to be repayable at the Commercial Banking Company of Sydney Limited, Melbourne, or the Council's bankers for the time being by twenty half-yearly instalments, the first of which is to be paid six months after the date upon which such money is advanced to the municipality, and thereafter at the expiration of each succeeding six months in which manner the said loan is to be liquidated.

The purpose for which the loan is to be applied is purchase of road construction plant.

The specifications and estimate of the cost of the permanent works referred to above, together with a statement of the proposed expenditure of the moneys to be borrowed, are open for inspection at the Memorial Municipal Chambers, Kerang.

Dated at Kerang this 25th day of September, 1946.

7900

A. K. LYALL, Shire Secretary.

## SHIRE OF OTWAY.

NOTICE is hereby given that Ronald Peterson and John Flitton, both of Apollo Bay, have been appointed Herdsmen for the Shire of Otway, with authority to impound any stock trespassing on roads or public thoroughfares in the Shire.

T. J. FRY, Shire Secretary.

Beech Forest, 24th September, 1946.

7892

## SHIRE OF OXLEY.

NOTICE OF INTENTION TO BORROW MONEY FOR THE PURCHASE  
OF ROAD-MAKING MACHINERY.

NOTICE is hereby given that the Council of the Shire of Oxley proposes to borrow, on the credit of the municipality, the sum of £2,000, such sum to be raised by the issue of debentures in accordance with the provisions of the *Local Government Act*.

1. The maximum rate of interest to be paid is £3 10s. per cent per annum.

2. The moneys borrowed are to be repayable at the Commonwealth Bank of Australia, Melbourne, on the 10th December and 10th June of each year.

3. The loan be applied for the purpose of purchasing road-making machinery, including a power grader.

4. The loan is to be liquidated by half-yearly instalments of approximately £119 over a period of ten years.

5. Plans and specifications and estimate of cost of the works referred to, and a statement showing the proposed expenditure of the money to be borrowed, are open for inspection at the Shire Office, Reid-street, Wangaratta.

7903

D. REID, F.S.P.A., Shire Secretary.

## SHIRE OF MILDURA.

NOTICE OF INTENTION TO BORROW THE SUM OF NINETEEN  
THOUSAND ONE HUNDRED POUNDS (£19,100) FOR PERMANENT  
WORKS AND UNDERTAKINGS IN THE SHIRE OF MILDURA.

Loan No. 20.

TAKE notice that the Council of the Shire of Mildura proposes to borrow, on the credit of the President, Councillors, and Ratepayers of the said Shire, the sum of Nineteen thousand one hundred pounds (£19,100), such sum to be raised by the issue of debentures in accordance with the provisions of the *Local Government Acts*.

The maximum rate of interest that may be paid is £3 7s. 6d. (3¾ per cent.) per centum per annum.

Such moneys shall be repayable for 40 equal half-yearly instalments, each including principal and interest, by providing out of the municipal fund such amounts on the 1st day of July and the 1st day of January in each respective year during the currency of the loan.

Such moneys shall be repayable at Melbourne at the National Bank of Australasia Limited, or at the Council's bankers for the time being in Melbourne.

Brief particulars of works:—

Additions to municipal abattoirs .. .. .	5,000
Irymple swimming pool .. .. .	5,100
Extension of township drainage, Red Cliffs .. .. .	700
Extension of drainage in the township of Merbein .. .. .	900
Construction of footpaths and streets, Red Cliffs township .. .. .	2,000
Construction of footpaths and streets, Merbein township .. .. .	2,400
Construction of storeyard, depot and workshop, and caretaker's cottage, Red Cliffs .. .. .	3,000
	£19,100

The plans, specifications, and estimate of the cost of the works referred to above, and a statement showing the proposed expenditure of money to be borrowed, are open for inspection at the Shire Office, Mildura.

Dated this 8th day of September, 1946.

7952

R. J. MURRAY, Shire Secretary.

## SHIRE OF SOUTH BARWON.

## APPOINTMENT OF PROSECUTING OFFICER.

NOTICE is hereby given that First Constable James Simpson, of Barwon Heads, has been appointed Prosecuting Officer for the Connewarre Riding of the above Shire, *vice* First Constable C. O. J. Thomas, resigned.

7891

J. A. MCKAY, Shire Secretary.

## SHIRE OF TALBOT.

## PROSECUTING OFFICER.

NOTICE is hereby given that at a meeting of the Council, held on the 5th of August, 1946, First Constable Leo Carey, No. 7779, was appointed Prosecuting Officer to the Shire of Talbot.

7898

K. A. G. LOWE, Shire Secretary.

## SHIRE OF TRARALGON.

## BY-LAW No. 34.

A By-law of the Shire of Traralgon, made under the provisions of the *Health Act 1928*, and numbered 34, for regulating or prohibiting the keeping of any animals (including birds), within certain boundaries in the Shire of Traralgon, and for other matters.

IN pursuance of the powers conferred by the *Local Government Acts* and the *Health Act 1928*, the Councillors and Ratepayers of the Shire of Traralgon order as follows:—

1. That By-law No. 22 of the Shire of Traralgon be and is hereby repealed.

2. If in the opinion of the Council the removal of a poultry yard, any part of which is within 40 feet of a house, is necessary for the health of any of the residents in its vicinity, the Council may order the owner or occupier of the premises wherein such poultry yard is situated, to remove such portions thereof as may be within 40 feet of any house.

3. No person shall within 40 feet of a house establish or construct, or cause, permit, or suffer any poultry yard to be newly constructed or established, or within such distance of a house, cause, permit, or suffer any land or place to be used afresh or for the first time as a poultry yard.

4. No person shall within the boundaries of the Town and Loch Park Ridings of the Shire of Traralgon keep any ducks, geese, or swine, except with the written permission of the Council.

5. No person shall allow, cause, permit, or suffer any poultry or animals to wander, either at large or under control, in or upon any street or vacant land within the boundaries of the Town and Loch Park Ridings of the Shire of Traralgon.

6. The owner or occupier of any premises, on which any animal is kept or fed, shall, when required by notice in writing by the Council, erect such stabling and accommodation, within such time and in such place and manner, as the Council may order.

7. All premises used, kept, or erected in connexion with the keeping or feeding of any animal or poultry shall at all times be maintained to the satisfaction of the Health Inspector in a clean and sanitary manner, and in a state of good repair.

8. Every person who shall disobey any order of the Council, or who shall by any act or default be guilty of any breach of this By-law, shall be liable to a penalty not exceeding Ten pounds and not less than Five shillings for every breach, or to a penalty not exceeding Five pounds and not less than Five shillings for each day during which such breach shall be committed or continued.

9. This By-law shall apply to and have operation in the Town and Loch Park Ridings of the Shire of Traralgon, the boundaries of which are described as set forth in the *Government Gazette* of 30th May, 1945, page 1382.

The Resolution for making this By-law was agreed to by the Council at a meeting held on the 6th day of June, 1946.

The said Resolution was confirmed by the Council at a meeting held on the 4th day of July, 1946.

The common seal of the President, Councillors, and Ratepayers of the Shire of Traralgon was hereunto affixed on the 4th day of July, 1946.

(SEAL) W. E. CUMMING, President.  
H. J. SAUNDERS, Councillor.  
E. M. WEST, Secretary.

Submitted to the Commission of Public Health on the 30th day of July, 1946.—J. WHITLOCK, Secretary of the Commission.

Approved by the Governor in Council, 10th September, 1946.  
—C. W. KINSMAN, Clerk of the Executive Council. 7897

#### SHIRE OF VIOLET TOWN.

##### NOTICE OF INTENTION TO BORROW THE SUM OF £1,700 FOR PERMANENT WORKS AND UNDERTAKINGS.

NOTICE is hereby given that the Council of the Shire of Violet Town proposes to borrow the sum of One thousand seven hundred pounds (£1,700), on the credit of the President, Councillors, and Ratepayers of the Shire, such sum to be raised by the issue of debentures in accordance with the provisions of the *Local Government Act 1928*.

1. The period of the loan will be seven years.

2. The maximum rate of interest will be Three pounds seven shillings and six pence per cent. per annum.

3. The money borrowed will be repayable by providing out of municipal fund fourteen half-yearly instalments of £137 (approximately) each, including principal and interest, and such money will be repayable at the National Bank of Australasia, Melbourne, or the Council's bankers for the time being.

4. The purpose for which the loan is being applied is for the purchase of road-making plant.

Specifications and estimate of cost of such plant is available for inspection at the Shire Offices.

Dated this 16th day of September, 1946.

7901 R. G. HEWSON, Shire Secretary.

#### SHIRE OF WANNON.

NOTICE is hereby given that First Constable George Henry Tucker, of Balmoral, has been appointed Inspector of Nuisances and Prosecuting Officer for the Balmoral Police District in the Shire of Wannon, and First Constable James Leo Mulcahy, of Harrow, has been appointed Inspector of Nuisances and Prosecuting Officer for the Harrow Police District in the Shire of Wannon, both appointments to date as from 1st September, 1946.

7916 V. J. WHARTON, Shire Secretary.

#### IN THE MATTER OF MUTCH BROS. AND WOOD PARTNERSHIP.

THE partnership heretofore subsisting between Leslie Gorden Mutch, Bertie Gorden Mutch, and Herbert John Wood, all of Balmoral, trading as butchers, under the firm name of Mutch Bros. and Wood, has been dissolved as from the 21st day of September, 1946, by the retirement of the said Herbert John Wood. The business will be carried on by the remaining partners under the name of Mutch Bros. All moneys due to the dissolved partnership should be paid to Mutch Bros., Balmoral, who will also be responsible for all trade debts of the firm of Mutch Bros. and Wood.

Dated the 24th day of September, 1946.

CAMERON & LOWENSTERN, Thompson-street, Hamilton, solicitors for the parties. 7961

NOTICE is hereby given that the partnership heretofore subsisting between George Goodall, Edward George Goodall, and Percy James Goodall, carrying on business at Colac, as motor garage proprietors, mechanics, painters, and trimmers, under the style or firm name of "E. G. Goodall and Co.," has been dissolved as from the 23rd day of September, 1946, so far as concerns the said Percy James Goodall, who retires from the said firm. All debts due to and owing by the said late firm will be received and paid respectively by the said George Goodall and Edward George Goodall, who will continue to carry on the said business in partnership under the style or firm name of "E. G. Goodall and Co."

Dated this 24th day of September, 1946.

GEORGE GOODALL.  
E. G. GOODALL.  
P. J. GOODALL.

Sewell and Sewell, Colac, solicitors for all the said parties. 7933

NOTICE is hereby given that the partnership, heretofore subsisting between the undersigned Colin Sheldon Couch and John Edwin Maxwell Harrison, carrying on business as electrical contractors, at 48 Warrigal-road, Oakleigh, under the name of "Colmax Electric," has been dissolved by mutual consent as from the 27th day of September, 1946. All the debts due to or owing by the partnership will be received and paid by the said Colin Sheldon Couch, who will continue to carry on the business under the same name at the same address.

Dated the 27th day of September, 1946.

C. S. COUCH.  
J. E. M. HARRISON.

Malleson, Stewart, and Co., solicitors, 46 Queen-street, Melbourne. 7951

NOTICE is hereby given that the partnership heretofore subsisting between Arthur Sears, Harrie Sears, and Edgar McIntosh Sears, carrying on a business as agents, at 57 Gellibrand-street, Colac, under the style or firm of Sunderland and Sears, has been dissolved by mutual consent as from the 31st day of July, 1946, so far as concerns the said Harrie Sears, who retires from the said firm. All debts due and owing by the said late firm will be received and paid respectively by the said Arthur Sears and the said Edgar McIntosh Sears, who will continue to carry on the said business in the name of Sunderland and Sears.

Dated this 23rd day of September, 1946.

ARTHUR SEARS.  
Signed by the said Arthur Sears, in Victoria, in the presence of—J. J. LARKINS, solicitor, Colac.

HARRIE SEARS.  
Signed by the said Harrie Sears, in Victoria, in the presence of—J. J. LARKINS.

E. M. SEARS.  
Signed by the said Edgar McIntosh Sears, in Victoria, in the presence of—J. J. LARKINS. 7934

#### DISSOLUTION OF PARTNERSHIP.

NOTICE is hereby given that the partnership heretofore existing between Alice Victoria Williams and John Ernest Green, carrying on business as chaffcutter proprietors at Nunurkah, under the name of Williams and Green, has been dissolved by mutual consent as from 1st September, 1946. The business will be carried on at the same address by the said Alice Victoria Williams, who will receive and pay all debts.

Dated the 16th day of September, 1946.

A. V. WILLIAMS.  
J. E. GREEN.

Morrison and Teare, Nunurkah, solicitors for both parties. 7908

#### THE LEWIS STORES PROPRIETARY LIMITED (IN LIQUIDATION).

NOTICE CONVENING FINAL MEETING, PURSUANT TO SECTION 236 OF THE COMPANIES ACT 1938.

NOTICE is hereby given, in pursuance of section 236 of the *Companies Act 1938*, that a General Meeting of the members of the above-named company will be held at Carrier-street, Benalla, on the 12th day of November, 1946, at Twelve o'clock noon, for the purpose of having an account laid before them, showing the manner in which the winding up has been conducted and the property of the company disposed of, and of hearing any explanation that may be given by the liquidator.

7895 J. S. STEVENSON, Liquidator.

**CREDITORS**, next of kin, and others having claims in respect of the estate of Hugh Cameron, late of Hamilton, in Victoria, shearer, deceased (who died on the 25th day of April, 1946), are to send particulars of their claims to the Ballarat Trustees, Executors, and Agency Company Limited, whose registered office is at 101 Lydiard-street north, Ballarat, at its office at Gray-street, Hamilton aforesaid, by the 3rd day of December, 1946, after which date it will distribute the assets, having regard only to the claims of which it then has notice.

Dated this 23rd day of September, 1946.

MELVILLE & WALTER, Thompson-street, Hamilton,  
solicitors for the said company. 7896

**CREDITORS**, next of kin, and others having claims in respect of the estate of Emily Victoria Oldfield, formerly of 10 Errard-street north, Ballarat, but late of 10 Frank-street, Ballarat, spinster, deceased (who died on 28th June, 1946), are to send particulars of their claims to the executor, The Ballarat Trustees, Executors, and Agency Company Limited, of Lydiard-street, Ballarat, by 12th December, 1946, after which date it will distribute the assets, having regard only to the claims of which it then has notice.

R. J. GRIBBLE & HOLLWAY, solicitors, 22 Lydiard-street south and 99 Bridge-street, Ballarat. 7913

**CREDITORS**, next of kin, and others having claims in respect of the estate of Mary Ann Wasley, late of Ascot-street south, Ballarat, widow, deceased, intestate (who died on 20th June, 1946), are to send particulars of their claims to the administrator, The Ballarat Trustees, Executors, and Agency Company Limited, of 101 Lydiard-street north, Ballarat, by 12th December, 1946, after which date it will distribute the assets, having regard only to the claims of which it then has notice.

R. J. GRIBBLE & HOLLWAY, solicitors, 22 Lydiard-street south and 99 Bridge-street, Ballarat. 7914

RE MICHAEL JAMES MURRIHY, late of Koroit, in the State of Victoria, retired farmer, DECEASED.

**PURSUANT** to the Trustee Act, notice is hereby given that all persons having claims upon the estate of the above-named deceased (who died on the 26th day of May, 1946, and probate of whose will was granted by the Supreme Court of Victoria, on the 30th day of July, 1946, to Patrick Murrily, junior, of Southern Cross, farmer, and James Murrily, of Koroit, farmer, the executors appointed by the said will), are required to send particulars, in writing, of such claims to the said executors, care of the undersigned solicitors, on or before the 30th day of November, 1946, after which date the said executors will proceed to distribute the assets of the said Michael James Murrily, deceased, which have come to their hands amongst the persons entitled thereto, having regard only to the claims of which they then shall have had notice, and notice is hereby further given that the executors will not be liable for the assets, or any part thereof, so distributed to any person of whose claim they shall not have had notice as aforesaid.

Dated this 26th day of September, 1946.

DESMOND DUNNE, HARTY, AND DWYER, 95 Kepler-street, Warrnambool, solicitors for the executors. 7917

RE MARION NEWTON, late of Avenel, widow, DECEASED.

**PURSUANT** to the Trustee Act 1928, notice is hereby given that all creditors, next of kin, and other persons having claims against the estate of Marion Newton, late of Avenel, in the State of Victoria, widow, deceased (who died on the 10th day of August, 1946, and probate of whose will was granted by the Supreme Court of the said State, on the 19th day of August, 1946, to John Edward Newton, of Harston, farmer, and William Newton, of Avenel, farmer), are hereby required to send particulars of such claims to the said executors, in care of the undersigned, at his address hereunder set out, on or before the 10th day of December, 1946, after which date the said executor will proceed to distribute the assets of the said deceased amongst the persons entitled thereto, having regard only to the claims of which he shall then have had notice.

W. J. OSBORNE, LL.B., solicitor, Station-street, Seymour. 7919

**CREDITORS**, next of kin, and others having claims in respect of the estate of Adelaide Emily Cawood, late of Apollo Bay, spinster (who died on the 19th day of July, 1946), are to send the particulars of their claims to her executor, The Ballarat Trustees, Executors, and Agency Company Limited, at its branch office, situated at Malop-street, Geelong, by the 12th day of December, 1946, after which date it will distribute the assets, having regard only to the claims of which it then has notice.

SEWELL & SEWELL, Colac, solicitors for the said company. 7932

**PURSUANT** to the Trustee Act 1928, all persons having claims against the property or estate of Aethel Du Rieu Green, late of Auckland, in the Dominion of New Zealand, widow, deceased (who died on the 7th day of July, 1945, and probate of whose will was granted to The Guardian Trust and Executors Company of New Zealand Limited, the executor named therein, by the Supreme Court of New Zealand, on the 15th day of August, 1945, and an application for reseat of an exemplification of which said probate was, on the 4th day of September, 1946, granted by the Supreme Court of Victoria to Arthur Douglas Pearce, of 23 Queen-street, Melbourne, manager of the South British Insurance Company Limited, the duly authorized attorney under power of the said executor), are hereby required to send in particulars, in writing, of such claims to the said Arthur Douglas Pearce, on or before the 6th day of December, 1946, after which date the said Arthur Douglas Pearce will, in pursuance of section 86 of the Administration and Probate Act 1928, pay and/or hand over to the said executor the assets of the said deceased which shall have come to his hands or possession, having regard only to the claims of which he shall have had notice.

Dated this 23rd day of September, 1946.

DUDDLEY A. TREGENT, B.A., LL.M., 422 Collins-street, Melbourne, solicitor for the said attorney. 7922

**CREDITORS**, next of kin, and others having claims in respect of the estate of John Denis Leary, late of Boveya, farmer, deceased (who died on the 21st day of April, 1946), are required to send particulars of their claims to The Perpetual Executors and Trustees Association of Australia Limited, of 100-104 Queen-street, Melbourne, by the 2nd day of December, 1946, after which date it will distribute the assets, having regard only to the claims of which it then has notice.

MAL. RYAN, LEWERS, & BYRNE, 79 Bridge-street, Benalla, solicitors for the executor. 7905

ROBERT ERNEST THWAITES, formerly of Ballarat College, Sturt-street west, Ballarat, in the State of Victoria, schoolmaster, but late of 50 Bond-street, Ballarat, in the said State, retired schoolmaster, DECEASED (who died on the 17th day of February, 1946).

**CREDITORS**, next of kin, and all others having claims against the estate of the said deceased are required by Peter Nelson Thwaites, of Geelong Church of England Grammar School, Corio, in the said State, schoolmaster, and The Union Trustee Company of Australia Limited, of 333 Collins-street, Melbourne, in the said State, the executors of the will of the said deceased, to send particulars of their claims to the said company, at its registered office, on or before the 5th day of December, 1946, after which date the executors will distribute the assets of the said deceased, having regard only to claims of which they then have notice.

CUTHBERT, MORROW, MUST, & SHAW, solicitors, Ballarat. 7906

**PURSUANT** to the Trustee Act 1928, notice is hereby given that all persons having claims against the estate of Ronald Wright, late of Addington, farmer, deceased (who died on the 28th June, 1946, and letters of administration of whose estate were granted by the Supreme Court, in its probate jurisdiction, on the 10th September, 1946, to The Ballarat Trustees, Executors, and Agency Company Limited, of 101 Lydiard-street north, Ballarat), are hereby required to send particulars, in writing, of such claims to the said company, at its above-mentioned address, on or before the 5th day of December, 1946, after which date the said company will proceed to distribute the assets of the testator amongst the persons entitled thereto, having regard only to the claims of which it shall then have had notice, and will not be liable for the assets so distributed, or any part thereof, to any person of whose claim it shall not then have had notice.

Dated 27th September, 1946.

NEVETT, NEVETT, & GLENN, 11 Lydiard-street, Ballarat, proctors for the said company. 7907

AUGUST HENRY WILLIAM FIEDLER, late of Huntly, retired storekeeper, DECEASED (who died on the 11th day of August, 1946).

**CREDITORS**, next of kin, and all others having claims against the estate of the said deceased are required to send particulars of their claims to Farmers and Citizens Trustees Company Bendigo Limited, the registered office of which is situated at Charing Cross, Bendigo, the personal representative of the said deceased, on or before the 10th day of December, 1946, after which date the said company intends to distribute the assets, having regard only to the claims of which notice has then been received.

NEAL & WOODWARD, solicitors, View-street, Bendigo. 7908

**CREDITORS**, next of kin, and others having claims in respect of the estate of Walter Hetherington Barratt, late of "The Roost," Prestwich, in the County of Lancaster, England, smallware manufacturer, deceased (who died on the 19th day of November, 1936, and probate of whose will, granted by the High Court of Justice, England, to his executors, the Public Trustee, Manchester, John Mursell Bennett, and Frederick Walker, was sealed by the Supreme Court of Victoria, on the application of The Trustees, Executors, and Agency Company Limited, of 401 Collins-street, Melbourne, the attorney under power of the said executors), are to send particulars of their claims to the said company, by the 3rd day of December, 1946, after which date it will distribute the assets, having regard only to the claims of which it shall then have notice.

HADEN, SMITH, & FITCHETT, solicitors, 405 Collins-street, Melbourne. 7944

**CREDITORS**, next of kin, and others having claims in respect of the estate of Charles James Callaway, late of 14 Normanby-street, Windsor, in the State of Victoria, retired farmer, deceased (who died on the 3rd day of June, 1946), are to send particulars of their claims to The Perpetual Executors and Trustees Association of Australia Limited, of 100-104 Queen-street, Melbourne, on or before the 16th day of December, 1946, after which date it will distribute the assets, having regard only to the claims of which it then has notice.

HENDERSON & BALL, 430 Little Collins-street, Melbourne, solicitors. 7945

**CREDITORS**, next of kin, and all others having claims against the estate of Stanley Gordon Tomkins, late of 40 Shaftesbury-parade, Thornbury, dairy proprietor, deceased (who died on the 1st day of May, 1946), are required to send particulars of their claims to Muriel Eileen Tomkins, of 40 Shaftesbury-parade, Thornbury, widow, and William John Home, of 401 Collins-street, Melbourne, solicitor, the executrix and executor of the will of the said deceased, care of the undersigned solicitors, on or before the 7th day of December, 1946, after which date they will distribute the assets of the said deceased, having regard only to the claims of which they then have notice.

Dated the 26th day of September, 1946.  
HOME, WILKINSON, & LOWRY, solicitors, 401 Collins-street, Melbourne. 7946

**CREDITORS**, next of kin, and all others having claims against the estate of Charlotte Annie Royal, late of 21 Flemington-road, North Melbourne, widow, deceased (who died on the 15th day of July, 1946), are required to send particulars of their claims to William John Home, of 401 Collins-street, Melbourne, solicitor, the executor of the will, and two co-defendants thereto, of the said deceased, care of the undersigned solicitors, on or before the 7th day of December, 1946, after which date he will distribute the assets of the said deceased, having regard only to the claims of which he then has notice.

Dated the 26th day of September, 1946.  
HOME, WILKINSON, & LOWRY, solicitors, 401 Collins-street, Melbourne. 7947

RICHARD AUSTIN CLEARY, formerly of 35 Point Nepean-road, Elsternwick, late of 23 Cambridge-street, Hawthorn East, retired bank manager, DECEASED (who died 10th July, 1946).

**CREDITORS**, next of kin, and others having claims against the estate of the deceased are required by the executor of his will, National Trustees, Executors, and Agency Company of Australasia Limited, of 95 Queen-street, Melbourne, to send particulars to the said company, at its said address, on or before 3rd December, 1946, after which date it will distribute the assets, having regard only to the claims of which it then has notice.

FITZGERALD & FITZGERALD, 396 Little Flinders-street, Melbourne, solicitors. 7942

**PURSUANT** to the *Trustee Act 1928*, notice is hereby given that all creditors, next of kin, and other having claims against the property or estate of Alice Harrison, late of 6 Farmer-street, St. Kilda, widow, deceased (who died on the 22nd day of August, 1945, and the probate of whose will was granted by the Supreme Court of Victoria on the 8th day of January, 1946, to Skill Rupert Harrison, of 6 Farmer-street, St. Kilda, soldier, and Ronald McDonald, of Fernbank, farmer), are hereby required to send particulars, in writing, of their claims to the said executors, care of the undersigned, on or before the 9th day of December, 1946, after which date the executors will convey or distribute such property or estate to or amongst the persons entitled thereto, having regard only to the claims of which they shall then have had notice.

Dated this 1st day of October, 1946.  
H. K. McCLEERY, LL.B., solicitor, 472 Bourke-street, Melbourne. 7926

## Trustee Act 1928.

## NOTICE TO CLAIMANTS.

**PURSUANT** to the *Trustee Act 1928*, creditors, next of kin, and all other persons having claims in respect of the estate of any deceased person named below are required to send particulars thereof to the legal personal representative or representatives at the address stated below, on or before the date stated, after which date the representative or representatives will distribute the assets, having regard only to the claims of which notice has been received:—

James O'Neill, late of Anakie, farmer, died 12th July, 1946.—Claims to the executrix, Bridget O'Neill, of Anakie, spinster, care of Doyle and Kerr, "The Exchange," Market Square, Geelong, by 3rd December, 1946. 7894

Thomas Joseph Bourke, late of Port Fairy North, farmer, died 10th July, 1946.—Claims to the executors, John Bourke, of Port Fairy North, and George Russell Bourke, of Port Fairy, farmers, care of Peter P. Conlan, solicitor, Bank-street, Port Fairy, by 4th December, 1946. 7918

Jane Bartlett Langley, late of 143 Hutton-street, Thornbury, married woman, died 9th June, 1945.—Claims to the administrator, Thomas Edwin Langley, of 143 Hutton-street, Thornbury, coppersmith, care of J. Okno, solicitor, 100 Queen-street, Melbourne. J. Okno, LL.B., barrister and solicitor, 100-104 Queen-street, Melbourne, C.I. 7920

Isaac Lipp, formerly of 819 Rathdown-street, North Carlton, but late of 815 Rathdown-street, North Carlton, draper, died 19th December, 1945.—Claims to the executrix, Hesse Lipp, of 815 Rathdown-street, North Carlton, widow, care of J. Okno, solicitor, 100 Queen-street, Melbourne. J. Okno, LL.B., barrister and solicitor, 100-104 Queen-street, Melbourne, C.I. 7921

Elsie Whittle, late of Flat 4, 472 St. Kilda-road, Melbourne, married woman, died on 25th day of April, 1946.—Claims to executor, William James Sexton, care of Selwyn L. Gerity, solicitor, 422 Little Collins-street, Melbourne, by the 7th day of December, 1946. Selwyn L. Gerity, solicitor, 422 Little Collins-street, Melbourne. 7923

Peter Patrick O'Loughlin, late of 15 Quat Quatta-avenue, Ripponlea, in the State of Victoria, investor, deceased, died 30th June, 1946.—Claims to the executor, National Trustees, Executors, and Agency Company of Australasia Limited, at its registered office, 95 Queen-street, Melbourne, in the said State, by 5th December, 1946. T. A. Kennedy, LL.B., solicitor, 443 Bourke-street, Melbourne. 7928

Miriam Crichton, late of 24 Frederick-street, Yarraville, widow, deceased, intestate, died 10th October, 1945.—Claims to the administrator, John Grabrovaz, of 148 Empress-avenue, West Footscray, retired sugar worker, care of J. F. Hogan, solicitor, 33 Anderson-street, Yarraville. 7935

John Patrick Cronnelly, late of 17 Droop-street, Footscray, gentleman, deceased, intestate, died 23rd July, 1946.—Claims to the administrators, National Trustees, Executors, and Agency Company of Australasia Limited, whose registered office is at 95 Queen-street, Melbourne, by 12th December, 1946.—John F. Carroll, LL.B., solicitor, 4 Paisley-street, Footscray. 7962

**CREDITORS**, next of kin, and others having claims in respect of the estate of Thomas Daniel Hamill, late of Marquis of Lorne Hotel, George-street, Fitzroy, in the State of Victoria, licensed victualler, deceased (who died on the 29th day of July, 1946), are to send the particulars of their claims to The Perpetual Executors and Trustees Association of Australia Limited, at its registered office, 100-104 Queen-street, Melbourne, in the said State, by the 3rd day of December, 1946, after which date it will distribute the assets, having regard only to the claims of which it then has notice.

CORR & CORR, solicitors, 104 Queen-street, Melbourne. 7925

## ALICE ANNIE UTTLEY TODD, DECEASED.

**CREDITORS**, next of kin, and others having claims in respect of the estate of Alice Annie Uttley Todd, late of "Hollington," Wycombe-road, Neutral Bay, in the State of New South Wales, spinster, deceased (who died on the 14th day of November, 1945), are to send the particulars of their claims to Permanent Trustee Company of New South Wales Limited, of 23-25 O'Connell-street, Sydney, in the said State, by the 15th day of December, 1946, after which date it will distribute the assets, having regard only to the claims of which it then has notice.

J. LIONEL SMALLEY, solicitor, 118 Queen-street, Melbourne. 7927

EMMA RAYNER, late of 20 Southampton-street, Footscray, widow, DECEASED (who died on the 9th July, 1946).

**CREDITORS**, next of kin, and all other persons having claims against the estate of the above-named deceased are required by the executors, Emily May Yeates, of 76 Southampton-street, Footscray, married woman, and Herbert Francis Rayner, of 12 Maddock-street, Footscray aforesaid, driver, to send particulars to them, care of the undersigned, on or before the 6th day of December, 1946, after which date they will distribute the assets, having regard only to the claims of which they then have notice.

W. H. JONES & KENNEDY, solicitors, 214 Nicholson-street, Footscray. 7950

**PURSUANT** to the *Trustee Act 1928*, notice is hereby given that all persons having claims against the estate of Evelyn Priscilla Flattely, late of 69 Cunningham-street, Northcote, bookkeeper, deceased, intestate (who died on the 30th day of May, 1946, and administration of whose estate was granted by the Supreme Court of Victoria, in its probate jurisdiction, on the 24th day of September, 1946, to Stanley William Durlacher Flattely, of Warne-street, Heidelberg, in the said State, manufacturing stationer, a brother and one of the next of kin of the said deceased), are hereby required to send particulars, in writing, of such claims to the said Stanley William Durlacher Flattely, care of the under-mentioned solicitors, on or before the 6th day of December, 1946, after which date the said Stanley William Durlacher Flattely will proceed to distribute the assets of the said Evelyn Priscilla Flattely, deceased, which shall have come to his hands, amongst the persons entitled thereto, having regard only to the claims of which he shall then have had notice. And notice is hereby further given that the said Stanley William Durlacher Flattely will not be liable for the assets so distributed, or any part thereof, to any person of whose claim he shall not have had notice as aforesaid.

Dated the 30th day of September, 1946.

ORR & GIBSON, 379 Collins-street, Melbourne, solicitors for the said administrator. 7953

**RE MARY JANE POUND, DECEASED.**

**PURSUANT** to the *Trustee Act 1928*, notice is hereby given that all persons having claims against the estate of Mary Jane Pound, late of 5 Wilson-street, Surrey Hills, in the State of Victoria, married woman, deceased (who died on the 26th day of July, 1946, and probate of whose will was granted by the Supreme Court of Victoria, on the 3rd day of September, 1946, to Vera Isabella Mayall, of Cumberland House, Lorne, in the said State, the executrix appointed by the said will), are hereby required to send particulars, in writing, of such claims to the said executrix, care of her under-mentioned solicitors, on or before the 3rd day of December, 1946, after which date the said executrix will proceed to distribute the assets of the said deceased amongst the persons entitled thereto, having regard only to the claims of which she has had notice.

RIGBY & FIELDING, 60 Market-street, Melbourne, solicitors for the said executrix. 7954

**RE JOHN JERMYN**, formerly of Liewah Station, Moulamein, New South Wales, station manager, but late of Campbell-street, Swan Hill, retired station manager, DECEASED.

**PURSUANT** to the provisions of the *Trustee Acts*, notice is hereby given that Gerald Edward Delany, of 63 Campbell-street, Swan Hill, solicitor, the executor of the will of the above-named deceased, intends to convey or distribute the estate of the said deceased to or among the persons entitled thereto, and hereby requires all persons interested to send to him, the said Gerald Edward Delany, on or before the 12th day of December, 1946, particulars of their claims against the said estate, and at the expiration of that time the said executor will convey or distribute the said estate to or among the persons entitled thereto, having regard only to the claims of which he shall then have had notice.

GERALD E. DELANY, solicitor, 63 Campbell-street, Swan Hill. 7963

**DORIS PARKS DISHER, DECEASED.**

**CREDITORS**, next of kin, and others having claims in respect of the estate of Doris Parks Disher, formerly of S Toorak-road, South Camberwell, in the State of Victoria, but late of Strathfieldsaye, Perry Bridge, Stratford, in the said State, married woman, deceased (who died on the 8th day of June, 1946), are to send the particulars of their claims to The Trustees, Executors, and Agency Company Limited, of 401 Collins-street, Melbourne, in the said State, by the 10th day of December, 1946, after which date it will distribute the assets, having regard only to the claims of which it then has notice.

MELVILLE & MELVILLE, solicitors, 97-99 Queen-street, Melbourne. 7924

**CREDITORS**, next of kin, and others having claims in respect of the estate of Henry John Osborne, formerly of 305 Beach-road, Parkdale, in the State of Victoria, but late of 31 Drought-street, Bendigo, in the said State, sheet iron worker, deceased (who died on the 8th day of May, 1946), are to send particulars of their claims to the personal representatives, care of the under-mentioned solicitors, on or before the 6th day of December, 1946, after which date they will distribute the assets, having regard only to the claims of which they then have notice.

E. P. JOHNSON & DAVIES, solicitors, 339 Collins-street, Melbourne. 7929

**CREDITORS**, next of kin, and others having claims in respect of the estate of Bessie Dorothea Learmonth, late of Ballarat, in the State of Victoria, spinster, deceased (who died on the 4th day of June, 1946), are to send the particulars of their claims to The Perpetual Executors and Trustees Association of Australia Limited, of 100-104 Queen-street, Melbourne, in the said State, by the 10th day of December, 1946, after which date it will distribute the assets, having regard only to the claims of which it then has notice.

NICOL, SILVESTER, & HOLT, solicitors, Portland, and Heywood. 7930

**RE GEORGE ROBERT JARRETT**, late of 142 Cecil-street, Fitzroy, who carried on business at 33 Mater-street, Collingwood, furniture manufacturer, DECEASED, intestate (who died on the 26th day of September, 1945).

**CREDITORS**, next of kin, and all others having claims against the estate of the above-named deceased are required to send particulars thereof to the administrator, Marjorie Ruth Jarrett, care of the under-mentioned solicitors, on or before the 15th December, 1946, otherwise they will be excluded when the assets are being distributed.

GRAY & GRAY, solicitors, 340 Collins-street, Melbourne. 7943

**MINING NOTICES.**

**AJAX SOUTH GOLD MINE NO LIABILITY.**

**NOTICE** is hereby given that a Call (the 16th) of Three pence per share (making shares 5s. paid up) has been made up on the capital of the company, due and payable at the registered office of the company, 430 Little Collins-street, Melbourne, on Wednesday, the 9th day of October, 1946.

By order of the Board,  
7948 A. E. LLEWELLYN, Manager.

**CHEWTON GOLD MINES NO LIABILITY.**

**NOTICE** is hereby given that a Call (the 58th) of Three pence per share (making shares 10s. 6d. paid up) has been made upon the capital of the company, due and payable at the registered office of the company, 430 Little Collins-street, Melbourne, on Wednesday, the 9th day of October, 1946.

By order of the Board,  
7949 A. E. LLEWELLYN, Manager.

**DEBORAH CONSOLIDATED NO LIABILITY.**

**CALL NOTICE.**

**NOTICE** is hereby given that a Call (No. 15) of Three pence per share has been made (making shares paid up to 25s.), and is due and payable to me at the registered offices, 422 Collins-street, Melbourne, on Wednesday, 9th October, 1946.

By order of the Board,  
FRANK COOPER, Manager.  
422 Collins-street, Melbourne, C.I. 7939

**HERCULES GOLD MINING COMPANY NO LIABILITY.**

**A CALL** (the 49th) of Six pence per share has been made on the capital of the company (making the shares paid to 14s. 9d. each), due and payable at the company's registered office, 379 Collins-street, Melbourne, on Wednesday, 9th October, 1946.

H. L. STEWART  
7957 (J. G. Stanfield and Stewart), Manager.

**IRONBARK GOLD MINING COMPANY NO LIABILITY.**

**A CALL** (the 97th) of Three pence per share has been made on the capital of the company (making the shares paid to 25s. 3d. each), due and payable at the company's registered office, 379 Collins-street, Melbourne, on Wednesday, 9th October, 1946.

H. L. STEWART  
7958 (J. G. Stanfield and Stewart), Manager.

IRONBARK SOUTH GOLD MINING COMPANY  
NO LIABILITY.

A CALL (the 77th) of Three pence per share has been made on the capital of the company (making the shares paid to 22s. 9d. each), due and payable at the company's registered office, 379 Collins-street, Melbourne, on Wednesday, 9th October, 1946.

H. L. STEWART  
7959 (J. G. Stanfield and Stewart), Manager.

NORTH NELL GWYNNE GOLD MINES NO LIABILITY.

NOTICE is hereby given that a Call (the 73rd) of Three pence per share has been made on all shares in the company, numbered 1 to 60,000 (making such shares paid up to 27s. 3d. each), due and payable at the registered office of the company, 46 Queen-street, Melbourne, on Wednesday, the 9th October, 1946.

By order of the Board.  
F. H. TADGELL, Manager.

Dickenson and Tadgell, chartered accountants (Aust.), 46 Queen-street, Melbourne, C.I. 7936

NEW BUTLER'S TIN MINES NO LIABILITY.

CALL NOTICE.

NOTICE is hereby given that a Call (No. 10) of Six pence per share has been made, making shares paid up to 6s. 3d., and is due and payable to me, at the registered office, 422 Collins-street, Melbourne, on Wednesday, 9th October, 1946.

By order of the Board.  
FRANK COOPER, Manager.

422 Collins-street, Melbourne, C.I. 7938

NEW CHUM SYNCLINE GOLD MINE NO LIABILITY.

CALL NOTICE.

NOTICE is hereby given that a Call (No. 76) of Three pence per share has been made, making shares paid up to 24s. 9d., and is due and payable to me, at the registered office, 422 Collins-street, Melbourne, on Wednesday, 9th October, 1946.

By order of the Board.  
FRANK COOPER, Manager.

422 Collins-street, Melbourne, C.I. 7940

MAXWELL WEST GOLD MINE NO LIABILITY.

NOTICE is hereby given that a Call (the 12th) of Three pence per share has been made upon all the contributing shares in the company, due and payable to the manager, at the registered office, 140 Queen-street, Melbourne, on Wednesday, 9th October, 1946.

7955 F. L. SMYTH, Manager.

SOUTH VIRGINIA GOLD MINING COMPANY NO LIABILITY.

NOTICE is hereby given that a Call (the 18th) of Six pence per share has been made upon all the shares in the company, due and payable to the manager, at the registered office, 140 Queen-street, Melbourne, on Wednesday, 9th October, 1946.

7956 F. L. SMYTH, Manager.

NEW CHUM SYNCLINE GOLD MINE NO LIABILITY.

FORFEITURE NOTICE.

NOTICE is hereby given that all shares forfeited for non-payment of No. 75 (September) Call of Three pence per share will be sold by public auction in the vestibule of the Stock Exchange, 428 Chancery-lane, Melbourne, on Friday, 11th October, 1946, at a quarter to Twelve o'clock a.m., unless shares are previously redeemed.

By order of the Board.  
FRANK COOPER, Manager.

422 Collins-street, Melbourne, C.I. 7960

NORTH NELL GWYNNE GOLD MINES NO LIABILITY.

RE FORFEITED SHARES.

ALL shares upon which the 72nd (September) Call of Three pence per share remains unpaid are forfeited, and will be sold by public auction at the Stock Exchange, Melbourne, on Thursday, 10th October, 1946, at a quarter to Twelve o'clock a.m., unless previously redeemed.

By order of the Board.  
F. H. TADGELL, Manager.

Dickenson and Tadgell, chartered accountants (Aust.), 46 Queen-street, Melbourne, C.I. 7937

I, THE undersigned, hereby make application to register Hillsborough Gold Mining Co. No Liability as a company under the provisions of Part II. of the Companies Act 1938.

1. The name of the company is to be Hillsborough Gold Mining Company No Liability.

2. The place of operations (or intended operations) is at Wandiligong, Victoria.

3. The registered office of the company will be situate at 379 Collins-street, Melbourne.

4. The value of the company's property, including claim (or leased ground), and machinery is £10,000.

5. The number of shares in the company is 44,000 of 2s. 6d. each.

6. The number of shares subscribed for is 38,000, being not less than Twenty-five per centum of the entire number of shares in the company.

7. The amount of the subscribed capital which is paid up is £750, being not less than Five per centum of the subscribed capital.

8. The name of the manager is Godfrey Montague Fosbery.

9. The names and addresses and occupations of at least two shareholders who have subscribed for shares in the company, and the number of shares subscribed for by each of them at this date, are as follows:—

Rae McLean Manning, Bright, Victoria, home duties	200
A. C. Price, Bright, Victoria, primary producer	200
Lucinda Sutcliffe, Chapel-street, South Yarra, home duties	200
F. G. Hawke, Latrobe-street, Melbourne, manager	200
L. A. Ireland, Chapel-street, Prahran, chemist	200
G. M. Fosbery, 379 Collins-street, Melbourne, public accountant—	
In trust for shareholders	37,000
In trust for company	6,000
	44,000

G. M. FOSBERY, Manager.

Dated this 30th day of September, 1946.

Witness to signature—ANWORTH BROWN.

I, GODFREY MONTAGUE FOSBERY, do solemnly and sincerely declare that—

1. I am the manager of the said intended company.  
2. The above statement is, to the best of my belief and knowledge, true in every particular, and I make this solemn declaration conscientiously believing the same to be true, and by virtue of the provisions of an Act of the Parliament of Victoria rendering persons making a false declaration punishable for wilful and corrupt perjury.

G. M. FOSBERY.

Taken before me—CASPER PERLSTEIN, J.P. 7931

INSOLVENCY NOTICE.

*Insolvency Act 1928.*—In the Court of Insolvency, Central District, at Melbourne, No. 2622.—In the matter of HERMAN LESLIE JACKSON, formerly of Birchip, in the State of Victoria, farmer, but now of 102 Chomley-street, East Prahran, in the said State, and in the matter of an application by the said Herman Leslie Jackson for a certificate of discharge.

THE above-named Herman Leslie Jackson, the insolvent, intends to apply to the Court of Insolvency, at Melbourne, on the 20th day of October, 1946, at half-past Ten o'clock in the forenoon, for a certificate of discharge, pursuant to the provisions of the *Insolvency Act 1928*, and to dispense with the condition mentioned in section 233 of the Act.

Dated this 30th day of September, 1946.

J. A. C. COULTER, solicitor and agent for the above-named insolvent. 7941

IMPOUNDINGS.

DANDENONG.—Impounded at Dandenong.

1 red and white bull, no visible brand  
If not claimed and expenses paid, to be sold on 17th October, 1946.

T. ROOKES,  
7915—4/ Poundkeeper.

LISMORE.—Impounded in Lismore Pound, by Mr. Grimwade.

1 Dorset Horn ram, three back notches off ear  
If not claimed and expenses paid, to be sold on 19th October, 1946.

W. J. SERGENT,  
7803—4/ Poundkeeper.

**STATE ACTS, 1942.**

COPIES of the following Acts of Parliament of Victoria may be obtained at the Government Printing Office, or from any bookseller, at the price set opposite to each:—

No.		Price	
		s.	d.
4880.	Consolidated Revenue .. .. .	0	6
4881.	Consolidated Revenue .. .. .	0	6
4882.	Hospitals and Charities .. .. .	0	6
4883.	Sewerage Rates .. .. .	0	6
4884.	Sheep Dipping .. .. .	0	6
4885.	The Limbless Soldiers Trust .. .. .	1	0
4886.	Consolidated Revenue .. .. .	0	6
4887.	National Security (Emergency Powers) Continuation .. .. .	0	6
4888.	Income Tax (War-time Collection) .. .. .	0	6
4889.	Freezing Works (Overdraft Guarantee) .. .. .	0	6
4890.	Consolidated Revenue .. .. .	0	6
4891.	Melbourne Markets .. .. .	0	6
4892.	Student Teachers (War Service) .. .. .	0	6
4893.	Cattle and Swine Compensation .. .. .	0	6
4894.	Drysdale United Service Home .. .. .	0	6
4895.	Public Trustee .. .. .	0	6
4896.	The Constitution Act Amendment .. .. .	0	6
4897.	Entertainments Tax (War-time Suspension) .. .. .	0	6
4898.	Melbourne and Metropolitan Tramways (Reserve Funds) .. .. .	0	6
4899.	Milk and Dairy Supervision .. .. .	0	6
4900.	Melbourne and Metropolitan Board of Works (Contributions) .. .. .	0	6
4901.	Execution of Trusts .. .. .	0	6
4902.	Melbourne and Metropolitan Board of Works (Rates) .. .. .	0	6
4903.	Adoption of Children .. .. .	0	6
4904.	Consolidated Revenue .. .. .	0	6
4905.	Land Tax (Exemptions) .. .. .	0	6
4906.	Land Tax .. .. .	0	6
4907.	Stamps (Increased Duty Continuance) .. .. .	0	6
4908.	Country Roads Board Fund .. .. .	0	6
4909.	Financial Emergency (Grants and Funds) .. .. .	0	6
4910.	Water Supply Loans Application .. .. .	0	6
4911.	Administration and Probate Duties .. .. .	0	6
4912.	Railway Loan Application .. .. .	0	6
4913.	Public Account Advances (Amendment) .. .. .	0	6
4914.	Farmers Protection (Amendment) .. .. .	0	6
4915.	Water .. .. .	0	6
4916.	Patriotic Funds .. .. .	0	6
4917.	St. Vincent's Hospital Land .. .. .	0	6
4918.	Survival of Actions .. .. .	0	6
4919.	Mines .. .. .	0	6
4920.	South Melbourne (Birrell-place) Land .. .. .	0	6
4921.	Local Government (Loans and Debentures) .. .. .	0	6
4922.	Local Government (Building Regulations) Amendment .. .. .	0	6
4923.	Miners' Phthisis (Treasury Allowances) Amendment .. .. .	0	6
4924.	Legal Profession Practice .. .. .	0	6
4925.	Motor Car (Amendment) .. .. .	0	6
4926.	Local Government (Street Construction) .. .. .	1	0
4927.	Victorian Inland Meat Authority .. .. .	1	0
4928.	Railway Construction Trusts Liabilities .. .. .	0	6
4929.	Surplus Revenue .. .. .	0	6
4930.	Railways (Long Service) .. .. .	0	6
4931.	Grain Elevators .. .. .	0	6
4932.	Coal Mine Workers Pensions .. .. .	1	3
4933.	State Forests Loan Application .. .. .	0	6
4934.	Health (Patent Medicines) .. .. .	0	9
4935.	Metropolitan Gas Company's .. .. .	0	8
4936.	Yannathan and Triholm Railway (Dismantling) .. .. .	0	6
4937.	Soil Conservation .. .. .	0	6
4938.	Forests .. .. .	0	6
4939.	Land Surveyors .. .. .	0	9
4940.	Administration and Probate (Amendment) .. .. .	0	6
4941.	Appropriation of Revenue .. .. .	3	3
4942.	Dietitians Registration .. .. .	1	0

J. J. GOURLEY,  
Government Printer.

**STATE ACTS, 1943.**

COPIES of the following Acts of Parliament of Victoria may be obtained at the Government Printing Office, or from any bookseller, at the price set opposite to each:—

No.		Price.	
		s.	d.
4943.	Consolidated Revenue .. .. .	0	6
4944.	Consolidated Revenue .. .. .	0	6
4945.	State Development .. .. .	0	6
4946.	Grain Elevators .. .. .	0	6
4947.	Consolidated Revenue .. .. .	0	6
4948.	Lunacy .. .. .	0	6
4949.	National Security (Emergency Powers) Continuation .. .. .	0	6
4950.	Commonwealth Powers .. .. .	0	6
4951.	Consolidated Revenue .. .. .	0	6
4952.	Factories and Shops (Chairmen of Wages Boards) .. .. .	0	6
4953.	Country Roads (Forest Roads and Stock Routes) .. .. .	0	6
4954.	State Schools (Bush Fire Relief) .. .. .	0	6
4955.	Consolidated Revenue .. .. .	0	6
4956.	Coal Mines Regulation .. .. .	0	6
4957.	Petrol Pumps (Licence Fees) .. .. .	0	6
4958.	Superannuation (Contributions) .. .. .	0	6
4959.	Coal Mine Workers Pensions .. .. .	0	6
4960.	Forests (Exchange of Lands) .. .. .	0	6
4961.	Local Government (Valuations) .. .. .	0	6
4962.	Railway Construction (Extensions) .. .. .	0	6
4963.	Mental Hygiene (Mode of Citation) .. .. .	0	6
4964.	Administration and Probate Duties .. .. .	0	6
4965.	Sewerage Districts .. .. .	0	6
4966.	Stamps (Increased Duty Continuance) .. .. .	0	6
4967.	Land Tax .. .. .	0	6
4968.	Surplus Revenue .. .. .	0	6
4969.	Financial Emergency (Grants and Funds) .. .. .	0	6
4970.	Partially Blinded Soldiers Fund .. .. .	0	6
4971.	Melbourne and Metropolitan Board of Works (Contributions) .. .. .	0	6
4972.	Milk Pasteurization .. .. .	1	0
4973.	Country Roads Board Fund .. .. .	0	6
4974.	Workers' Compensation .. .. .	0	6
4975.	Public Works Loan and Application .. .. .	0	6
4976.	Factories and Shops (Saturday Half-holiday) .. .. .	0	6
4977.	Springvale Necropolis Land .. .. .	0	6
4978.	South Melbourne to Melbourne Tramway Construction .. .. .	0	6
4979.	Water Supply Loans Application .. .. .	0	6
4980.	Forests .. .. .	0	6
4981.	State Forests Loan Application .. .. .	0	6
4982.	Administration and Probate (War Service) .. .. .	0	6
4983.	Water .. .. .	0	9
4984.	Farmers Protection (Amendment) .. .. .	0	6
4985.	Stamps .. .. .	0	6
4986.	Railway Loan Application .. .. .	0	6
4987.	Farmers Debts Adjustment .. .. .	0	6
4988.	Ministry of Health .. .. .	1	0
4989.	Discharged Servicemen's Preference .. .. .	1	0
4990.	Instruments (Insurance Contracts) .. .. .	0	6
4991.	Melbourne (Widening of Streets) .. .. .	0	6
4992.	Mines (Petroleum) .. .. .	0	6
4993.	Education .. .. .	0	6
4994.	Land Settlement (Acquisition) .. .. .	0	6
4995.	Land Settlement Loan and Application .. .. .	0	6
4996.	Housing .. .. .	1	0
4997.	Milk and Dairy Supervision .. .. .	1	0
4998.	Appropriation of Revenue .. .. .	3	9

J. J. GOURLEY,  
Government Printer.



## STATE ACTS, 1944.

COPIES of the following Acts of Parliament of Victoria may be obtained at the Government Printing Office, or from any bookseller, at the price set opposite to each:—

No.	Description	Price.	
		s.	d.
4999.	Consolidated Revenue .. ..	0	6
5000.	Local Government (Polling Booths) .. ..	0	6
5001.	Police Offences (Unlawful Games) .. ..	0	6
5002.	Hospitals and Charities .. ..	0	6
5003.	Water (Loddon) .. ..	0	6
5004.	Justices .. ..	0	6
5005.	Coal Mines Regulation (Amendment) .. ..	0	6
5006.	Consolidated Revenue .. ..	0	6
5007.	Melbourne and Metropolitan Board of Works (Contributions) .. ..	0	6
5008.	Marketing of Primary Products .. ..	0	6
5009.	National Security (Emergency Powers) Continuation .. ..	0	6
5010.	Outer Circle Railway (Partial Dismantling) .. ..	0	6
5011.	Mines (Minerals) .. ..	0	6
5012.	Goods (Textile Products) .. ..	0	6
5013.	Masseurs .. ..	0	6
5014.	Electoral (War Service Deaths) .. ..	0	6
5015.	Cremorne Bridge .. ..	0	6
5016.	Melbourne Harbor Trust .. ..	0	6
5017.	Water .. ..	0	9
5018.	Consolidated Revenue .. ..	0	6
5019.	Mildura Irrigation and Water Trusts .. ..	0	6
5020.	Farm Water Supplies Advances .. ..	0	6
5021.	Sewerage Districts .. ..	0	6
5022.	Trustee Companies .. ..	0	6
5023.	Mildura Irrigation and Water Trusts (Superannuation) .. ..	0	6
5024.	Consolidated Revenue .. ..	0	6
5025.	Cemeteries .. ..	0	6
5026.	Border Railways .. ..	0	6
5027.	Local Government (Shire of Blackburn and Mitcham) .. ..	0	6
5028.	Electoral Districts .. ..	0	6
5029.	Land .. ..	0	6
5030.	Land Tax .. ..	0	6
5031.	Administration and Probate Duties .. ..	0	6
5032.	Stock Foods (Amendment) .. ..	0	6
5033.	Stamps (Increased Duty Continuance) .. ..	0	6
5034.	Maribyrnong and Ashburton Lands Exchange .. ..	0	6
5035.	Financial Emergency (Grants and Funds) .. ..	0	6
5036.	Farmers Advances .. ..	0	6
5037.	Land Settlement (Acquisition) Amendment .. ..	0	6
5038.	Railways .. ..	0	6
5039.	Farmers Protection (Amendment) .. ..	0	6
5040.	Country Fire Authority .. ..	1	9
5041.	Country Roads Board Fund .. ..	0	6
5042.	Railway Loan and Application .. ..	0	6
5043.	Town and Country Planning .. ..	1	0
5044.	Agricultural Colleges .. ..	0	9
5045.	Heatherton Sanatorium .. ..	0	6
5046.	Health (Infectious Diseases Hospitals) .. ..	0	6
5047.	Surplus Revenue .. ..	0	6
5048.	Water Supply Loans Application .. ..	0	9
5049.	State Forests Loan and Application .. ..	0	6
5050.	Public Works Loan and Application .. ..	0	6
5051.	Commonwealth and States Financial Agreement .. ..	1	3
5052.	The Constitution Act Amendment .. ..	0	6
5053.	Public Library National Gallery and Museums .. ..	0	9
5054.	Drought Relief .. ..	0	6
5055.	Co-operative Housing Societies .. ..	1	6
5056.	Local Government .. ..	1	0
5057.	Melbourne and Metropolitan Board of Works .. ..	0	9
5058.	Appropriation of Revenue .. ..	3	9

J. J. GOURLEY,  
Government Printer.

## STATE ACTS, 1945.

COPIES of the following Acts of Parliament of Victoria may be obtained at the Government Printing Office, or from any bookseller, at the price set opposite to each:—

No.	Description	Price.	
		s.	d.
5059.	Mildura Irrigation and Water Trusts (Borrowing) .. ..	0	6
5060.	Supreme Court (Judges) .. ..	0	6
5061.	Oakleigh (Regent-street) Land .. ..	0	6
5062.	Swine .. ..	0	6
5063.	Drought Relief (Amendment) .. ..	0	6
5064.	Unclaimed Moneys .. ..	0	6
5065.	Consolidated Revenue .. ..	0	6
5066.	Consolidated Revenue .. ..	0	6
5067.	Agent-General's .. ..	0	6
5068.	Land Surveyors (Amendment) .. ..	0	6
5069.	State Development .. ..	0	6
5070.	Melbourne and Metropolitan Board of Works (Borrowing Powers) .. ..	0	6
5071.	Education .. ..	0	6
5072.	Water .. ..	0	6
5073.	National Security (Repeal) .. ..	0	6
5074.	Moorabbin (Unimproved Rating Poll) .. ..	0	6
5075.	Licensing (Poll) .. ..	0	6
5076.	Lilydale Waterworks Trust Abolition .. ..	0	6
5077.	East Melbourne Land .. ..	0	6
5078.	Health (Wines) .. ..	0	6
5079.	Local Government (Emergency Housing Accommodation) .. ..	0	6
5080.	Law Institute .. ..	0	6
5081.	Bendigo Land .. ..	0	6
5082.	Consolidated Revenue .. ..	0	6
5083.	Consolidated Revenue .. ..	0	6
5084.	Consolidated Revenue .. ..	0	6
5085.	Factories and Shops (Bread Holidays) .. ..	0	6
5086.	Administration and Probate Duties .. ..	0	6
5087.	Land Tax .. ..	0	6
5088.	Stamps (Increased Duty Continuance) .. ..	0	6
5089.	Licensing Fund .. ..	0	6
5090.	Employers and Employés .. ..	0	6
5091.	Farmers Advances .. ..	0	6
5092.	University (Veterinary Research) .. ..	0	6
5093.	Surplus Revenue .. ..	0	6
5094.	State Forests Loan and Application .. ..	0	6
5095.	Mines (Amendment) .. ..	0	6
5096.	Farmers Protection (Amendment) .. ..	0	6
5097.	Railway Loan Application .. ..	0	6
5098.	Public Works Loan and Application .. ..	0	6
5099.	Water Supply Loans Application .. ..	0	9
5100.	Public Account Advances (Amendment) .. ..	0	6
5101.	Hospital Benefits .. ..	0	6
5102.	Totalizator (Amendment) .. ..	0	6
5103.	Financial Emergency (Municipal Endowment) .. ..	0	6
5104.	Country Roads Board Fund (Amendment) .. ..	0	6
5105.	Coal Mines Regulation (Amendment) .. ..	0	6
5106.	Melbourne and Metropolitan Tramways (Chairman) .. ..	0	6
5107.	Soldier Settlement .. ..	1	3
5108.	Appropriation of Revenue .. ..	4	0

J. J. GOURLEY,  
Government Printer.

STATE ACTS, 1946.

COPIES of the following Acts of Parliament of Victoria may be obtained at the Government Printing Office, or from any bookseller, at the price set opposite to each:—

No.	Price.
	s. d.
5109. Geelong Land .. .. .	0 6
5110. Transport Regulation (Amendment) .. .	0 6
5111. Factories and Shops (Annual Holidays) ..	0 9
5112. Mornington Sewerage Authority (Validation) ..	0 6
5113. Local Government (Emergency Housing Accommodation) Amendment .. .. .	0 6
5114. Housing (Commonwealth and State Agreement)	1 0
5115. Factories and Shops (Early Closing) .. .	0 6
5116. Building Operations and Building Materials Control .. .. .	0 9
5117. Water (Levee Banks) .. .. .	0 3
5118. Co-operative Housing Societies .. .. .	0 6
5119. Local Government (Municipal Rolls) .. .	0 6
5120. Public Works Loan and Application .. .	0 6
5121. Totalizator (Charities) .. .. .	0 6
5122. Drought Relief .. .. .	0 6
5123. Taxation (Arrangements) .. .. .	0 6
5124. Public Service .. .. .	1 6
5125. Teaching Service .. .. .	1 3
5126. Police Regulation .. .. .	1 0
5127. Railways (Long Service) .. .. .	0 6
5128. Workers' Compensation .. .. .	1 6
5129. Sewerage Districts (Amendment) .. .. .	0 6
5130. Factories and Shops (Bread) .. .. .	0 6
5131. Crimes (Indeterminate Sentences) .. .. .	0 6
5132. Medical (Chemists' Apprentices) .. .. .	0 6
5133. Soldier Settlement (Amendment) .. .. .	0 6
5134. Consolidated Revenue .. .. .	0 6
5135. Consolidated Revenue .. .. .	0 6
5136. Apprenticeship .. .. .	0 6

J. J. GOURLEY,  
Government Printer.

THE "VICTORIA GOVERNMENT GAZETTE."

SUBSCRIPTIONS.—The subscription, including Postage, is £1 12s. 6d. per annum, 16s. 3d. half-yearly, or 8s. 2d. per quarter, payable in advance.

Subscriptions are required to commence and terminate with a month.

A lesser period than three months cannot be subscribed for. Subscribers do not receive the Acts of Parliament with the GAZETTE.

ADVERTISEMENTS are charged at the rate of EIGHT PENCE per line single column, and ONE SHILLING and FOUR PENCE per line double column.

The title (£5 Reward, Dissolution of Partnership, &c.) forms one or more lines as a heading.

On an average, ten words make a line.

Every signature must likewise be counted as a line.

The final words of a paragraph, though only portion of a line, must be counted as one line.

SIGNATURES (in particular) and proper names must be written very plainly in the text; ONE SIDE ONLY of each slip of paper should be WRITTEN UPON.

ALL COMMUNICATIONS should be addressed to "The Government Printer, Melbourne."

ALL DOCUMENTS illegibly written will be returned unpublished, and, where brands occur unprovided for by the ordinary letters of the alphabet, a worded explanatory description must be furnished.

THE VICTORIA GOVERNMENT GAZETTE is published on WEDNESDAY EVENING in each week, and Notices for insertion will be received by the Government Printer at or before TWO p.m., at ordinary rates, and late advertisements between TWO p.m. and FIVE p.m. at double rates on the day preceding the day of publication.

Single copies of the VICTORIA GOVERNMENT GAZETTE are Six pence, posted Eight pence, each.

No GAZETTES prior to January, 1936, in stock.

\*\*\*ALL PAYMENTS ARE REQUIRED IN ADVANCE.—Remittances should be made by postal note, money order, or draft in favour of the Government Printer. Advertisements unaccompanied by a remittance sufficient to cover the cost of insertion will be returned unpublished.

AGENTS FOR THE "VICTORIA GOVERNMENT GAZETTE."

THE following have been appointed agents to receive Advertisements and subscriptions for the Victoria Government Gazette:—

- ARMSTRONG'S AGENCY, 143 Queen-street, Melbourne.
- MESSRS. ARNALL & JACKSON, 115 Barkly-street, West Brunswick.
- MESSRS. GORDON & GUTCH, News Agents, 511 Little Collins-street, Melbourne; and corner Barrack and Clarence streets, Sydney.
- MESSRS. HARSTON, PARTRIDGE, & CO., 455 Little Collins-street, Melbourne.
- N.-V. NIXON & CO., 20 Queen-street, Melbourne.
- THE PATON ADVERTISING SERVICE PTY. LTD.
- ROBERTSON & MULLEN LTD., Elizabeth-street, Melbourne.
- MESSRS. W. H. WADDELL, and A. S. RICHARDSON, trading as The Mercantile Exchange, 380 Collins-street, Melbourne.
- MR. A. J. DIGBY, News Agent, Bairnsdale.
- MR. M. R. BADE, Tobacconist, Sturt-street, Ballarat.
- TRIGG'S NEWS AGENCY, Hargreaves-street, Bendigo.
- MR. G. H. K. PAYNE, 4 View Point, Bendigo.
- MR. G. F. LATIMER, News Agent, Casterton.
- MESSRS. HENRY FRANKS & CO., Booksellers and Stationers, Market-square, Geelong.
- MESSRS. SMITH & DUNNON, Hamilton.
- ARMSTRONG BROS., Kyneton.
- Mrs. WM. DAVIS, Mildura.
- PIKE'S AUTHORIZED NEWS AGENCY, Sale.
- MR. C. T. RUST, News Agent, Wangaratta.
- MR. F. T. MCCORMICK, Nunn-street, Benalla.
- F. R. & E. M. COOKE, Bridge-street, Benalla.
- W. GORDON HAMPTON, 243 Mitchell-street, Bendigo.
- R. & A. SMALLMAN, News Agents, Toora.

A copy of the Gazette filed at each place for public reference.

CONTENTS

	PAGE
Acts of Parliament on sale at the Government Printing Office .. .. .	3166
Appointments .. .. .	3138
Auction Sales Act .. .. .	3143
Contracts .. .. .	3145
Country Roads Board .. .. .	3149
Estates of Deceased Persons .. .. .	3142
Government Notices .. .. .	3142
Impoundings .. .. .	3165
Insolvency Notice .. .. .	3165
Lands .. .. .	3152
Mining .. .. .	3140, 3164
Money Lenders Act 1938—Supplementary List ..	3144
Orders in Council .. .. .	3149
Private Advertisements .. .. .	3158
Proclamation .. .. .	3137
Public Service Notices .. .. .	3140
Resignations .. .. .	3139
State Rivers and Water Supply Commission ..	3140
Stay Orders .. .. .	3143
Tenders .. .. .	3155
Transport Regulation Board—Public Hearings ..	3141