



VICTORIA
GOVERNMENT GAZETTE.

Published by Authority.

[Registered at the General Post Office, Melbourne, for transmission by post as a newspaper.]

No. 242]

WEDNESDAY, MAY 7.

[1947

TO THE HONORABLE THE CHIEF SECRETARY.

I HEREBY give you notice that it is my intention, on Friday next, the ninth day of May, to issue a Writ for the Election of a Member to serve in the Legislative Assembly of Victoria for the Electoral District of Benambra.

Dated this sixth day of May, 1947.

G. H. KNOX,
Speaker.

LEVEE AT PARLIAMENT HOUSE, MELBOURNE.

IN honour of the birthday of His Majesty King George VI., His Excellency the Governor, Major General Sir Winston Dugan, G.C.M.G., C.B., D.S.O., will hold a Levee at Parliament House, Spring-street, Melbourne, from 11.30 a.m. to 12.30 p.m. on Thursday, the 12th June, 1947.

On the occasion of the celebration of the King's birthday, His Excellency is anxious to receive as many citizens as possible.

In accordance with the custom followed at levees held by His Majesty the King, there will be no precedence in the order of presentation, but it is requested that members of services and all public bodies group themselves together for presentation as far as possible.

It is requested that those entitled to wear uniform or official dress do so, but His Excellency will be pleased to receive those not entitled to wear uniform or official dress in their ordinary morning or business dress.

Private entree cards will admit recipients to the south door of the Spring-street entrance at Parliament House at 11.30 a.m. All other citizens will enter by the north door of the Spring-street entrance before 12.30 p.m.

It is particularly desired that gentlemen attending the Levee should provide themselves with a card on which should be printed or typed in capitals, or written in block letters, their styles of address for presentation, in order to facilitate announcement to His Excellency.

By His Excellency's command,
DUNWICH,
Private Secretary.

BANK HALF-HOLIDAYS.

PROCLAMATION

By His Excellency the Governor of the State of Victoria and its Dependencies in the Commonwealth of Australia, &c., &c., &c.

IN pursuance of the provisions contained in Part III. of the *Banks and Currency Act 1928*, I, the Governor of the State of Victoria, in the Commonwealth of Australia, do by this my Proclamation appoint the days and dates named hereunder special days to be observed as Bank Half-Holidays at the places respectively mentioned, that is to say:—

Bank Half-Holidays from the Hour of Twelve o'clock noon:—

THURSDAY, 8TH MAY, 1947, at Koroit.
THURSDAY, 29TH MAY, 1947, at Coleraine.

Given under my Hand and the Seal of the State of Victoria aforesaid, at Melbourne, this sixth day of May, in the year of our Lord One thousand nine hundred and forty-seven, and in the eleventh year of the reign of His Majesty King George VI.

(L.S.) WINSTON DUGAN.

By His Excellency's Command,
W. SLATER,
Chief Secretary.

GOD SAVE THE KING!

PUBLIC HALF-HOLIDAYS.

PROCLAMATION

By His Excellency the Governor of the State of Victoria and its Dependencies in the Commonwealth of Australia, &c., &c., &c.

IN pursuance of the provisions contained in Part III. of the *Public Service Act 1946* (10 Geo. VI. No. 5124), I, the Governor of the State of Victoria, in the Commonwealth of Australia, by and with the advice of the Executive Council of the said State, do by this my Proclamation appoint the days and dates hereunder mentioned to be observed as Public Half-Holidays at the places respectively specified, viz.:—

Public Half-Holidays from the Hour of Twelve o'clock noon:—

WEDNESDAY, 28TH MAY, 1947, throughout the Shire of Wannon.

THURSDAY, 29TH MAY, 1947, throughout the Shire of Wannon.

WEDNESDAY, 21ST MAY, 1947, throughout the Shire of Glenelg.

THURSDAY, 22ND MAY, 1947, throughout the Shire of Glenelg.

Given under my Hand and the Seal of the State of Victoria aforesaid, at Melbourne, this sixth day of May, in the year of our Lord One thousand nine hundred and forty-seven, and in the eleventh year of the reign of His Majesty King George VI.

(L.S.) WINSTON DUGAN.

By His Excellency's Command,
W. SLATER,
Chief Secretary.

GOD SAVE THE KING!

Banks and Currency Act 1928.

ALTERATION OF DAY APPOINTED FOR BANK HOLIDAY (KING'S BIRTHDAY).

PROCLAMATION

By His Excellency the Governor of the State of Victoria and its Dependencies in the Commonwealth of Australia, &c., &c., &c.

WHEREAS—

MONDAY, THE 15TH DAY OF DECEMBER, 1947,

is by section 13 of the *Banks and Currency Act 1928* appointed for a bank holiday: And whereas it is made to appear to the Governor in Council expedient that the said day should not be a bank holiday throughout Victoria: Now therefore I, the Governor of the said State, in pursuance of the provisions of section 16 of the said Act, do by this my Proclamation declare that the said day shall not be a bank holiday throughout Victoria, and appoint—

MONDAY, THE 16TH DAY OF JUNE, 1947,

to be a bank holiday throughout the said State.

Given under my Hand and the Seal of the State of Victoria aforesaid, at Melbourne, this sixth day of May, in the year of our Lord One thousand nine hundred and forty-seven, and in the eleventh year of the reign of His Majesty King George VI.

(L.S.) WINSTON DUGAN.

By His Excellency's Command,
W. SLATER,
Chief Secretary.

GOD SAVE THE KING!

Apprenticeship Acts.

APPRENTICESHIP COMMISSION OF VICTORIA.
APPRENTICESHIP TRADE PROCLAIMED.

PROCLAMATION

By His Excellency the Governor of the State of Victoria and its Dependencies in the Commonwealth of Australia, &c., &c., &c.

IN pursuance of the provisions of section 13, sub-section 4, of the *Apprenticeship Act 1928*, I, the Governor of the State of Victoria, in the Commonwealth of Aus-

tralia, by and with the advice of the Executive Council in the said State, do by this my Proclamation proclaim the trade set out hereunder as carried on in the metropolitan district, to be an apprenticeship trade, viz.:—

Electroplater—First Class.

Given under my Hand and the Seal of the State of Victoria aforesaid, at Melbourne, this sixth day of May, in the year of our Lord One thousand nine hundred and forty-seven, and in the eleventh year of the reign of His Majesty King George VI.

(L.S.) WINSTON DUGAN.

By His Excellency's Command,
P. J. CLAREY,
Minister of Labour.

GOD SAVE THE KING!

DISTRICT HIGH SCHOOLS PROCLAIMED.

PROCLAMATION

By His Excellency the Governor of the State of Victoria and its Dependencies in the Commonwealth of Australia, &c., &c., &c.

WHEREAS by section 64 of the *Education Act 1928* it is provided that the Governor in Council may, by Proclamation in the *Government Gazette*, declare any schools to be district high schools: Now therefore I, the Governor of the State of Victoria, in the Commonwealth of Australia, by and with the advice of the Executive Council of the said State, do by this my Proclamation declare the under-mentioned schools to be district high schools, that is to say:—

Orbost Higher Elementary School and Seymour Higher Elementary School.

Given under my Hand and the Seal of the State of Victoria aforesaid, at Melbourne, this twenty-ninth day of April, in the year of our Lord One thousand nine hundred and forty-seven, and in the eleventh year of the reign of His Majesty King George VI.

(L.S.) WINSTON DUGAN.

By His Excellency's Command,
FRANCIS FIELD,
Minister of Public Instruction.
GOD SAVE THE KING!

CONSUL.

HIS Excellency the Governor directs the provisional recognition of Mr. Andreas Aristides Nicolades as Consul for Greece, at Melbourne.

JOHN CAIN,
Premier.

Premier's Office,
Melbourne, 1st May, 1947.

CONSUL.

HIS Excellency the Governor directs the recognition of Mr. H. P. Ogilvie as Consul for Uruguay, at Melbourne.

JOHN CAIN,
Premier.

Premier's Office,
Melbourne, 1st May, 1947.

REPORTER, VICTORIAN PARLIAMENTARY DEBATES.

APPLICATIONS are invited for the position of Reporter on the Staff of the Victorian Parliamentary Debates. The applications, stating age and qualifications, should be addressed to the Chief Reporter, Parliament House, Melbourne, and should be lodged not later than 14th May, 1947.

A period of probation may be required to be served before permanent appointment.

Yearly Salary.—Minimum, £748; maximum, £778; plus cost of living adjustment (£48 at present).

L. M. CHINNER,
Chief Reporter.

APPOINTMENTS.

HIS Excellency the Governor of the State of Victoria, by and with the advice of the Executive Council thereof, has, by Orders made on the 29th day of April, 1947, been pleased to make the under-mentioned appointments, viz.:—

DEPARTMENT OF CHIEF SECRETARY.

Assistants to the Inspector of Fisheries.

HAROLD McVEAN HARRISON,
JOSEPH HENRY HAYGARTH,
FRANK WILLIAM COOPER BROWN,
ALAN MARSHAL HENDRY,
THOMAS HENRY PETERSEN, and
WILLIAM GREY MANIFOLD,
pursuant to the provisions of the Fisheries Acts, to be Assistants to the Inspector of Fisheries.

Licensing Inspector.

OWEN THOMAS GERALD ROBERTS, Sub-Inspector of Police,
pursuant to the provisions of the Licensing Acts, to be a Licensing Inspector for each and every Licensing District in the State of Victoria, from the 31st March, 1947, *vice* Samuel James Williams, resigned.

DEPARTMENT OF HEALTH.

Trustees of Cemeteries.

JOHN ERIC PEARCE
to be a Trustee of the Beaufort Public Cemetery, *vice* J. J. Fitzpatrick, resigned;
ALBERT LYTTLETON MCFARLANE
to be a Trustee of the Box Hill Public Cemetery, *vice* V. R. Cox, deceased;
WILLIAM DAVITT RUSSELL
to be a Trustee of the Bulla Public Cemetery, *vice* P. P. Hoctor, resigned;
REUBEN ALFRED SHAW
to be a Trustee of the Epping Public Cemetery, *vice* J. D. Wuchatsch, resigned;
ALFRED OWEN
to be a Trustee of the Fern Tree Gully Public Cemetery, *vice* Reverend T. McCarthy, resigned;
JOHN CHRISTOPHER STRACHAN
to be a Trustee of the Pompapier Public Cemetery, *vice* S. McCrea, deceased;
FRANKLIN ENNOR THOMAS
to be a Trustee of the St. Kilda Public Cemetery, *vice* E. Thomas, deceased;
EUGENE PATRICK GASCOINE, JOHN FORREST DICKSON, and ALEXANDER EDWARD JONES
to be Trustees of the Whitfield Public Cemetery, *vice* O. Egan, deceased, J. Dickson, Senr., resigned, and Jas. G. Wyllies, resigned, respectively;
VICTOR FREDERICK HENDERSON
to be a Trustee of the Yarra Glen Public Cemetery, *vice* A. J. Scott, resigned;
THOMAS CRAIG FARACHER
to be a Trustee of the Tower Hill Public Cemetery, *vice* A. Skilbick, deceased;
LAURENCE JAMES HOCTOR, MICHAEL JOSEPH WISNESKE, CHARLES CAMERON WALTON, and JOHN KINNERSLEY
to be Trustees of the Boinka Public Cemetery, *vice* J. A. Cresp, resigned, M. Ryan, resigned, L. A. Quick, resigned, and I. A. Hampel, resigned, respectively;
BRIAN HYDE
to be a Trustee of the Numurkah Public Cemetery, *vice* A. Stringer, deceased;
VIVIAN ALFRED BARTLETT
to be a Trustee of the Pimpinio Public Cemetery, *vice* H. A. Bartlett, resigned;
JACK REGINALD BAKER
to be a Trustee of the Pimpinio Public Cemetery; and
CHARLES ANDREW RAIT DOUGLAS
to be a Trustee of the Redbank Public Cemetery, *vice* R. Peacock, deceased.

Public Vaccinator.

ROY GERARD FOX, M.B., B.S.,
to be a Public Vaccinator.

Acting Clerk of Mental Hospital.

JOHN THOMAS GARVEY
to be Acting Clerk of the Mental Hospital, Sunbury, from 13th April, 1947, *vice* Charles Herbert Allchin, on leave; and

Acting Medical Superintendent.

Dr. EDWARD LENNARD ROBERTS
to be Acting Medical Superintendent of the Mental Hospital and Receiving House, Ballarat, from 9th April, 1947, *vice* Dr. Clive Farran Ridge, on leave.

Members of the Anti-Cancer Council of Victoria.

HENRY SEARBY, M.S., F.R.C.S., F.R.A.C.S., Victorian Branch of the British Medical Association,
Dr. JAMES ERIC CLARKE, F.R.A.C.P., Victorian Branch of the British Medical Association,
Dr. KONRAD HILLER, F.R.A.C.P., Royal Melbourne Hospital,
LEO DOYLE, M.S., F.R.A.C.S., St. Vincent's Hospital,
BALCOMBE QUICK, D.S.O., F.R.A.C.S., Alfred Hospital,
Mrs. HERBERT BROOKES, J.P., Women's Hospital,
LESLIE STUART KIDD, F.R.A.C.S., Prince Henry's Hospital,
CHARLES HUGH HEMBROW, F.R.C.S., F.R.A.C.S., Austin Hospital for Cancer and Chronic Diseases,
Dr. ARTHUR BASIL CORKILL, D.Sc., F.R.A.C.P., Thomas Baker, Alice Baker, and Eleanor Shaw Medical Research Institute,
Prof. FRANK MACFARLANE BURNET, F.R.S., M.D., Ph.D., Walter and Eliza Hall Institute of Research in Pathology and Medicine,
Dr. CLIVE ERNEST SANDY, Australian Dental Association,
CECIL ASHLEY MARSHAL RENOU, F.R.C.S., F.R.A.C.S., Royal Australasian College of Surgeons,
Dr. DOUGLAS THOMAS, M.R.C.P., F.R.A.C.P., Royal Australasian Association of Physicians,
Major-General HAROLD GRIMWADE, C.B., C.M.G., V.D., under section 5 (1) (c), *Anti Cancer Council Act* 1936 (No. 4446),
The Honorable JAMES ARTHUR KENNEDY, M.L.C., under section 5 (1) (c), *Anti Cancer Council Act* 1936 (No. 4446),
Dr. FRANCIS LESLIE DAWKINS, under section 5 (1) (c), *Anti Cancer Council Act* 1936 (No. 4446),
SAMUEL COOKE, under section 5 (1) (d), *Anti Cancer Council Act* 1936 (No. 4446),
The Right Honorable Sir ISAAC ISAACS, P.C., G.C.B., G.C.M.G., K.C., under section 5 (1) (d), *Anti Cancer Council Act* 1936 (No. 4446), and
Dr. FRANK GLADSTONE STEPHENS, M.R.C.P., F.R.A.C.P., Australian and New Zealand Association of Radiologists.

Government Representatives on Hospital Committees.

HERBERT BRUCE FILGATE
to be Government Representative on Committee of Management of Portland and District Hospital; and
HEDLEY JOSEPH YOUNGMAN, J.P.,
to be Government Representative on Committee of Management of Creswick District Hospital.

Acting Medical Superintendent of Mental Hospital.

Dr. WILFRED ARTHUR JOSEPH BRADY
to be Acting Medical Superintendent of the Mental Hospital, Sunbury, from 13th April, 1947, *vice* Dr. Thomas Grenville Clarence Retallick, on leave.

DEPARTMENT OF LAW.

Clerk of Children's Court, &c.

EDWARD LEO MCCONVILL
to be also Clerk of the Children's Court at Chelsea, Dromana, Frankston, Hastings, Mordialloc, Mornington, and Sorrento, during the absence on annual leave of G. L. Webster.

Commissioners for Taking Declarations, &c.

ALBERT JOHN RUPERT MATTHEWS, 776 Nicholson-street, North, Fitzroy,
ROY PRINDABLE, 32 Mills-street, Albert Park,
WALTER CHAMBERLAIN, 25 Cope-street, Coburg, and
FELIX RUSSO, 24 Ormond-road, Elwood,
to be Commissioners for taking Declarations and Affidavits, pursuant to the provisions of Division 8 of Part IV. of the *Evidence Act* 1928, to resign upon removing from the neighbourhood of the addresses stated.

Deputy Prothonotary, &c.

DONALD HAROLD GUDE
to be also Deputy Prothonotary, Clerk of the Peace for the Southern Bailiwick, Registrar of the County Court, Clerk of Petty Sessions, and Clerk of the Children's Court at Geelong, during the absence on annual leave of A. G. Glasson, and as Clerk of the Peace and Registrar of the County Court at Geelong, to be appointed by virtue of section 92 of the *Juries Act* 1928, to do and perform with respect to the Courts at that place, in the place and stead of the Sheriff, all such acts and things as the Sheriff is, by the said Act, authorized or required to do or perform during the absence on annual leave of A. G. Glasson.

Magistrates.

EDWARD ARTHUR COULSON, Buninyong,
to Keep the Peace in the Southern Bailiwick of the State
of Victoria,

ERNEST ALEXANDER RIED, Tallangatta,
to Keep the Peace in the Northern Bailiwick of the State
of Victoria;

THOMAS JOSEPH HAWKINS, Secretary, Naval Board,
Victoria Barracks, St. Kilda-road, Melbourne,
and

GEORGE FREDERICK MARYON PURBRICK, 450 Toorak-
road, Toorak,
to Keep the Peace in the Central Bailiwick of the State
of Victoria; and

CYRIL RUPERT PARSONS, Elmore,
to Keep the Peace in the Midland Bailiwick of the State
of Victoria.

Officers Authorized to Attest Instruments.

JOHN LEO RYAN, and

JOSEPH WILLIAM AUGUSTINE WAUGH,
Officers of the War Service Homes Commission,
Melbourne,

pursuant to the provisions of section 191 of the *Transfer
of Land Act 1928*, to attest instruments and powers of
attorney under the said Act signed by any person within
the limits of Victoria.

Probation Officers.

GRACE KING, Melbourne City Mission, 280-282 Ex-
hibition-street, Melbourne,

RUBY BRADEN, Melbourne City Mission, 280-282
Exhibition-street, Melbourne,

JOHN CLOONAN, 93 Flemington-road, West Parkville,
JAMES LAWSON MUIR, 39 Chapman-street, North Mel-
bourne, and

JAMES THOMAS DOWLING, St. Michael's Presbytery,
Tallangatta,
to be Probation Officers, pursuant to the provisions of
section 8 of the *Children's Court Act 1928*, for the Children's
Courts at Fitzroy, Carlton, North Melbourne, North Mel-
bourne, and Tallangatta, respectively.

Sworn Valuator.

GEORGE WILLIAM DROSTEN, 29 King-street, Queenscliff,
to be a Sworn Valuator, pursuant to the provisions of
section 14 of the *Transfer of Land Act 1928*, for the
County of Grant; and

RALPH HERBERT GLADMAN, 51 Elphinstone-street,
Footscray,
to be a Sworn Valuator, pursuant to the provisions of
section 14 of the *Transfer of Land Act 1928*, for the
County of Bourke.

DEPARTMENT OF PUBLIC WORKS.

*Members of the Architects Registration Board of
Victoria.*

PERCY EDGAR EVERETT,
JOHN HAIG HARRIOTT, and
FREDERICK CHARLES PURNELL,

under the powers conferred by section 5 of the *Architects
Act 1928* (No. 3638), to be members of the Architects
Registration Board of Victoria for a period of two years
from the 9th April, 1947.

Wharf Manager, &c.

First Constable ALLAN HENRY ABSALOM, No. 9129,
as Wharf Manager at Werribee, to carry out that portion
of Part II. of the *Marine Act 1928*, which relates to the
management of public wharfs, and to be an officer under
section 19 of such Act to levy and collect wharfage rates
thereat.

DEPARTMENT OF TREASURER.

Collector of Imposts.

ALBERT EDWARD COLEMAN

to be Collector of Imposts, Woods Point, for the purpose
of collecting fees payable for the issue of Miners' Rights,
vice T. O. Proctor—with a commission of 10 per cent. on
all collections made as issuer.

Receivers of Revenue (Acting).

EDWARD GEORGE FISHER

to act as Receiver of Revenue, Kerang, during the absence
of A. T. Ryall, on leave;

DONALD HAROLD GUDE

to act as Receiver of Revenue, Geelong, during the
absence of A. G. Glasson, on leave; and

ALLAN HENRY CONRAD PFEIFER

to act as Receiver of Revenue, Ballarat, during the
absence of C. Brumby, on leave.

C. W. KINSMAN,

Clerk of the Executive Council.

At the Executive Council Chamber,
Melbourne, the 29th April, 1947.

RESIGNATIONS.

HIS Excellency the Governor of the State of Victoria, by
and with the advice of the Executive Council
thereof, has, by Orders made on the 29th April, 1947,
accepted the resignations of the persons named hereunder
of the offices mentioned, viz.:—

DEPARTMENT OF LAW.

EDWARD JOSEPH PARKS, as a Commissioner for taking
Declarations and Affidavits, pursuant to the pro-
visions of the *Evidence Act 1928*.

FREDERICK WILLIAM HIPKIN, as a Probation Officer,
pursuant to the provisions of the *Children's Court
Act 1928*, for the Children's Court at Orbost.

NORMAN STANLAKE CHALK, as a Commissioner for
taking Declarations and Affidavits, pursuant to
the provisions of the *Evidence Act 1928*.

JAMES THOMAS DOWLING, as a Probation Officer, pur-
suant to the provisions of the *Children's Court
Act 1928*, for the Children's Court at Nathalia.

ROBERT BURTON, late of Melton, from the Commission
of the Peace for the Central Bailiwick of Victoria.

JAMES ALEXANDER MCNAUGHT, as a person authorized,
pursuant to the provisions of section 191 of the
Transfer of Land Act 1928, to attest instruments
and powers of attorney under the said Act signed
by any person within the limits of Victoria.

C. W. KINSMAN,

Clerk of the Executive Council.

At the Executive Council Chamber,
Melbourne, the 29th April, 1947.

PUBLIC SERVICE OF VICTORIA.—VACANCIES.

APPPLICATIONS will be received by the Public Service
Board up to Saturday, the 24th May, 1947, from
persons employed in the Public Service of Victoria, who
are eligible and qualified, for appointment to the under-
mentioned positions:—

PROFESSIONAL DIVISION.

Medical Officer, Class "B1," Mental Hygiene Branch,
Department of Health.

Yearly Salary.—£592, minimum; £722, maximum, sub-
ject to a charge of £60 for rent, fuel, light, water,
vegetables, milk, and laundry.

Duties.—To undertake the treatment of mental dis-
orders.

Qualifications.—To be a legally qualified medical prac-
titioner. Previous experience in treatment of
mental disorders is desirable.

Draughtsman, Class "D," Estates Branch, Department of
Water Supply.

Yearly Salary.—£364, minimum; £436, maximum.

Duties.—To prepare, under direction, notices to treat
for land required in connexion with the construc-
tion of works, and to assist generally with the
work of the Estates Branch.

Qualifications.—To possess the School Leaving Cer-
tificate or equivalent Technical School Training;
to be a competent draughtsman, and to have a
good knowledge of Titles Office practice and the
tenure of lands.

Probation Officer (Male), Children's Courts, Class "D,"
Department of Law.

Yearly Salary.—£364, minimum; £436, maximum.

Duties.—To perform, under the direction of the
Stipendiary Magistrate of Children's Courts the
functions prescribed by the *Children's Court Act
1928*. To deliver lectures from time to time to
Honorary Probation Officers upon the said func-
tions and generally to instruct such honorary
workers in the performance of their duties
under the said Act.

Qualifications.—To have a knowledge of sociology
and child psychology, and to have experience in
the control of delinquent and "problem"
children. To be of suitable character and tem-
perament and to have had practical experience
in social work.

Draughtsman, Class "D," Rivers and Streams Branch,
Department of Water Supply.

Yearly Salary.—£286, minimum; £436, maximum.

Duties.—To prepare plans of surveys and of civil
engineering works, including river control
works, and to take out quantities of materials
and labour involved.

Qualifications.—To have had not less than three
years' training in civil engineering subjects at a
Technical School, or not less than six years'
experience in work of a similar nature.

TECHNICAL AND GENERAL DIVISION.

Inspector of Factories and Shops (Junior), Department of Labour.

Yearly Salary.—£331, minimum; £370, maximum.

Duties.—To perform such duties of an Inspector of Factories and Shops as may be assigned to him from time to time.

Qualifications.—To be physically strong and active and mentally alert, and in the case of non-discharged servicemen, under 36 years of age, and in the case of discharged servicemen, under 41 years of age; to possess a School Intermediate or Technical Intermediate Certificate, or an approved equivalent qualification; to be willing to reside, if required, within the district to which he is, from time to time, assigned. A knowledge of the provisions of the Factories and Shops Acts and Regulations is desirable.

Successful applicants must pass an examination in such subjects as are directed by the Board before becoming eligible for appointment to the office of Inspector on the occurrence of a vacancy in that office.

Inspector of Factories and Shops (Junior) (Female), Department of Labour.

Yearly Salary.—£247, minimum; £273, maximum.

Duties.—To perform such duties of an Inspector of Factories and Shops as may be assigned to her from time to time.

Qualifications.—To be physically strong and active and mentally alert and, in the case of non-discharged servicewomen, under 36 years of age, and in the case of discharged servicewomen, under 41 years of age; to possess a School Intermediate or Technical Intermediate Certificate, or an approved equivalent qualification; to be willing to reside, if required, within the district to which she is, from time to time, assigned. A knowledge of the provisions of the Factories and Shops Acts and Regulations is desirable.

Successful applicants must pass an examination in such subjects as are directed by the Board before becoming eligible for appointment to the office of Inspector on the occurrence of a vacancy in that office.

Assistant (Male), Grade II, Taxation (Land Tax) Branch, Department of Treasurer.

Yearly Salary.—Juniors, according to age, adults, £260, minimum, £338, maximum.

Duties.—To have charge of a filing section of the Records Branch, and to be responsible for the correct arrangement, movement, and recording of files and correspondence, &c., relating thereto.

Qualifications.—To possess the School Intermediate Certificate and a practical knowledge of office procedure in relation to filing methods.

NOTE.—In addition to the salary rates quoted, a cost of living adjustment at the rate of £24 in the case of unmarried male minors, £32 in the case of adult females, and £48 in the case of married male minors and adult males is payable. The rates are subject to variation in accordance with the rise or fall in the index numbers of the cost of living.

By order,
E. F. FITZGIBBON,
Secretary.

Office of the Public Service Board,
Melbourne, 6th May, 1947.

PUBLIC SERVICE OF VICTORIA.—VACANCIES.

TEMPORARY APPOINTMENTS.

APPPLICATIONS will be received by the Public Service Board up to Saturday, the 24th May, 1947, from persons employed in the Public Service of Victoria, who are qualified, for appointment to the under-mentioned positions:—

Matron, Greenvale Sanatorium, General Health Branch, Department of Health.

Yearly Salary.—£461, minimum; £474, maximum, less deduction of £42 for board and lodging.

Qualifications.—To be a generally trained and certificated nurse, registered in Victoria and preferably to have had experience in charge of work in a similar institution.

Greenvale Sanatorium (via Broadmeadows) is a new and modern institution of 96 beds with the construction of accommodation for an additional 144 beds in progress. It is also an approved part-time Training School for Nurses in Tuberculosis Diseases and for qualification for Post Graduate Certificate in Tuberculosis.

Applications should be submitted on the special form which may be obtained from the Board's office.

Technical Librarian (Female), Department of Agriculture.

Yearly Salary.—£286, minimum; £338, maximum.

Duties.—To have charge of the technical library of the Agricultural Division; to catalogue and index technical publications, prepare accession lists, and arrange circulation of periodicals to technical officers.

Qualifications.—To possess a University Degree in Agriculture, Science, or Arts, and experience of library work, and to have passed the preliminary examination of the Australian Institute of Librarians.

NOTE.—In addition to the salary rates quoted, a cost of living adjustment at the rate of £30 a year is payable. The rates are subject to variation in accordance with the rise or fall in the index numbers of the cost of living.

By order,
E. F. FITZGIBBON,
Secretary.

Office of the Public Service Board,
Melbourne, 6th May, 1947.

PUBLIC SERVICE (PUBLIC SERVICE BOARD) REGULATION 36A.

NOTICE is hereby given that the Public Service Board has raised the classification of an office of Inspector of Works (Engineering), Professional Division, Department of Public Works, from Class "D" to Class "C," and that the Permanent Head of the Department has recommended Silas Albert Waldemar Schulz for appointment thereto.

Duties.—To develop proposals for the improvement of grounds of schools and institutions. To compile reports on and prepare estimates of cost of sketch plans for such proposals. To supervise the construction of approved works; to supervise day labour gangs and contractors. To prepare specifications, plans, and quantities for works carried out by contract.

Qualifications.—To possess a sound knowledge of earth-works, drainage, pavements in gravel, asphalt, and concrete, and of miscellaneous civil engineering works connected with school and institutional grounds. To be capable of carrying out the necessary survey and setting out work for such improvements, and of supervising day labour gangs and contractors.

Appeals against such recommendation should be lodged with the Secretary to the Public Service Board not later than Saturday, the 17th May, 1947.

By order,
E. F. FITZGIBBON,
Secretary.

Office of the Public Service Board,
Melbourne, 6th May, 1947.

Public Service Act 1946, Section 39.

REGULATIONS.—PART III.—SALARIES, INCREMENTS, AND ALLOWANCES.

THE Public Service Board, in pursuance of the powers conferred by the *Public Service Act 1946*, hereby amends its Regulations as shown below:—

FIRST SCHEDULE.

PROFESSIONAL DIVISION.

Offices and Rates of Salaries.

Office.	Yearly Rate of Salary.	
	Minimum.	Maximum.
	£	£
<i>Add—</i>		
DEPARTMENT OF PUBLIC INSTRUCTION.		
Class "C1."		
Chief Executive Officer, State Film Centre	449	579
<i>This Regulation shall come into effect on the 28th April, 1947.</i>		

D. D. PAINE, Chairman.
E. F. FITZGIBBON, Secretary.

Office of the Public Service Board,
Melbourne, 28th April, 1947.

Public Service Act 1946, Section 39.

REGULATIONS.—PART III.—SALARIES, INCREMENTS, AND ALLOWANCES.

THE Public Service Board, in pursuance of the powers conferred by the Public Service Act 1946, hereby amends its Regulations as shown below:—

FIRST SCHEDULE.

PROFESSIONAL DIVISION.

Offices and Rates of Salaries.

Office.	Yearly Rate of Salary.	
	Minimum.	Maximum.
DEPARTMENT OF CHIEF SECRETARY.	£	£
CLASS "A1."		
<i>Revoke—</i> Government Statist	1,050	1,250
<i>Add—</i> Government Statist	1,200	1,400
DEPARTMENT OF LAW.		
CLASS "C2."		
<i>Revoke—</i> Senior Court Reporter	527	579
CLASS "C."		
<i>Revoke—</i> Reporter and Shorthand Writer (Male) .. .	449	501
CLASS "D."		
<i>Revoke—</i> Court Reporter (Female)	364	416
CLASS "B2."		
<i>Add—</i> Chief Court Reporter	670	722
CLASS "B."		
<i>Add—</i> Senior Court Reporter	592	644
CLASS "C2."		
<i>Add—</i> Court Reporter	527	579
CLASS "C."		
<i>Add—</i> Court Reporter (Female)	440	501

This Regulation shall come into effect on the 20th April, 1947.

D. D. PAINE, Chairman.

E. F. FITZGIBBON, Secretary.

Office of the Public Service Board,
Melbourne, 14th April, 1947.

[Published in lieu of the notice appearing in the Government Gazette of the 23rd April, 1947, page 2205.]

Public Service Act 1946, Section 39.

REGULATIONS.—PART III.—SALARIES, INCREMENTS, AND ALLOWANCES.

THE Public Service Board, in pursuance of the powers conferred by the Public Service Act 1946, hereby amends its regulations as shown below:—

FIRST SCHEDULE.

PROFESSIONAL DIVISION.

Offices and Rates of Salaries.

Office.	Yearly Rate of Salary.	
	Minimum.	Maximum.
DEPARTMENT OF AGRICULTURE.	£	£
CLASS "D."		
<i>Add—</i> Poultry Instructor, Longerenong Agricultural College	364	436*

This Regulation shall come into effect on the 21st April, 1947.

*Subject to a charge of 10 per cent. of total emolument payable by way of salary for rent, fuel, light, power and water.

D. D. PAINE, Chairman.

E. F. FITZGIBBON, Secretary.

Office of the Public Service Board,
Melbourne, 21st April, 1947.

Local Government Acts.

PETITION FOR PROCLAMATION OF TOWNSHIP OF WALWA.

NOTICE is hereby given that a petition signed by not less than twenty-five ratepayers resident in the Township of Walwa, within the Shire of Towong, has been presented to the Minister of Public Works, praying that a Township of Walwa be proclaimed, having the following boundaries:—

All that land, being parts of Crown allotments 4 and 7 of section 4, and Crown allotments 7, 6, and 3 of section 3, Parish of Walwa, County of Benambra, commencing at the south-west corner of the said allotment 7, section 4; thence 1,600 links bearing S. 83 deg. 3 min. W.; thence N. 6 deg. 57 min. W. 4,000 links through allotments 7, 6, and 3 of section 3 of the said parish; thence N. 83 deg. 3 min. E. 3,100 links through allotment 3, section 3, and allotment 4 of section 4; thence S. 6 deg. 57 min. E. 4,000 links to the southern boundary of allotment 7, section 4; thence S. 83 deg. 3 min. W. 1,500 links back to the point of commencement.

The above notice is published pursuant to the provisions of section 46 of the Local Government Act 1928.

P. J. KENNELLY,

Commissioner of Public Works.

SUMMONING OFFICERS.

I HEREBY appoint the under-mentioned persons, under section 31 of the Education Act 1928, to summon parents within the State of Victoria:—

First Constable Albert Edward Coleman, No. 8751.
Senior Constable Charles Alexander Derham, No. 7945.

FRANCIS FIELD,

Minister of Public Instruction.

Education Department,
Melbourne, 21st April, 1947.

BOROUGH OF RINGWOOD.

ORDER CONFIRMED.

THE Minister of the Crown administering the Local Government Act 1928, on the 24th day of April, 1947, confirmed the Order hereinafter referred to, in pursuance of section 513 of the said Act, viz:—

An Order of the Council of the Borough of Ringwood, made on the 6th day of June, 1946, for the purpose of acquiring certain land as a place of public recreation, such land being part of Crown allotment 11, Parish of Ringwood, County of Mornington, and being the land within the municipal district of the Borough of Ringwood.

P. J. KENNELLY,

Commissioner of Public Works.

PUBLIC SERVICE (PUBLIC SERVICE BOARD) REGULATION 36A.

NOTICE is hereby given that the Public Service Board has raised the classification of an office, the duties of and qualifications for which are set out hereunder, from Class "D" to Class "C", and that the Secretary to the Premier's Department has recommended the officer named for appointment thereto.

ADMINISTRATIVE DIVISION.

Duties.	Qualifications.	Name of officer Recommended.
DEPARTMENT OF PREMIER. Office of the Public Service Board.		
To keep the records of the Inspector's Branch; to prepare data for the Inspectors and to undertake such other duties as may be allotted	A good knowledge of the <i>Public Service Act 1946</i> and Regulations made thereunder, and of office practice in regard thereto	D. R. Juckes

Appeals against the above recommendation should be lodged with the Secretary to the Public Service Board not later than Saturday, the 17th May, 1947.

By order,
E. F. FITZGIBBON,
Secretary.

Office of the Public Service Board,
Melbourne, 6th May, 1947.

Cemeteries Acts.

EASTERN CEMETERY, GEELONG.

IN pursuance of the powers conferred by the Cemeteries Acts, the Trustees of the Eastern Cemetery, Geelong, hereby make the following amendment to the scale of fees of the said cemetery published in the *Government Gazette* of 14th April, 1937, which amendment shall come into operation on publication in the *Government Gazette*:—

Under the heading "Land for Private Graves," for
"Land chosen by Trustees £4 0 0."
substitute
"Land chosen by Trustees £4 5 0."

E. E. WILSON, Trustee.
WM. I. THOMS, Trustee.
SAMUEL NORTH, Trustee.

Approved by the Governor in Council,
29th April, 1947.
C. W. KINSMAN,
Clerk of the Executive Council.

Cemeteries Acts.

GEELONG WESTERN PUBLIC CEMETERY.

IN pursuance of the powers conferred by the Cemeteries Acts, the Trustees of the Geelong Western Public Cemetery, formerly known as the New General Public Cemetery, Geelong, hereby make the following amendment to the scale of fees of the said cemetery published in the *Government Gazette* of the 14th April, 1937, which amendment shall come into operation on publication in the *Government Gazette*:—

Under the heading "Land for Private Graves," for
"Land for grave 4 feet by 8 feet .. £4 0 0."
substitute

"Land for grave 4 feet by 8 feet .. £4 5 0."

F. RAYMOND APTEG, Trustee.
H. C. FAGG, Trustee.
J. S. GOWTY, Trustee.

Approved by the Governor in Council,
29th April, 1947.
C. W. KINSMAN,
Clerk of the Executive Council.

Cemeteries Acts.

MELBOURNE GENERAL CEMETERY.

AMENDMENTS TO SCALE OF FEES.

IN pursuance of the powers conferred by the *Cemeteries Act 1928*, the Trustees of the Melbourne General Cemetery hereby make the following scale of fees, which shall come into operation upon publication in the *Government Gazette*, on and from which date so much of the scale of fees published in the *Government Gazette* of 26th August, 1942, as conflicts with this scale is hereby rescinded:—

	£	s.	d.
<i>Sinking Graves</i> —			
8 feet deep	2	10	0
9 feet deep	2	17	6
10 feet deep	3	7	6

Extra Charges—
Caskets (standard lengths of 6 ft. 6 in.)—
Measurement over 2 ft. 3 in. at shoulders,
extra 10s.
Caskets (greater than standard length)—
Measurement over 2 ft. 3 in. at shoulder,
extra 20s.

Masonry (masons permits: To erect, &c.)—

Concrete kerbing on site 8 ft. by 3 ft. 6 in.	0	7	6
Concrete kerbing on site 8 ft. by 4 ft.	0	7	6
Concrete kerbing on site 8 ft. by 8 ft.	0	10	0
Concrete kerbing on site 8 ft. by 12 ft.	0	12	6
Natural stone kerbing on site 8 ft. by 4 ft.	0	12	6
Natural stone Kerbing on site 8 ft. by 8 ft.	0	17	6
Natural stone kerbing on site 8 ft. by 12 ft.	1	3	0
Cut additional inscription	0	5	0
Re-opening adult grave	2	5	0

CASPER J. PERLSTEIN, Trustee.
EDW. C. RIGBY, Trustee, Trustee.
A. W. MACAULAY, Trustee.

Approved by the Governor in Council,
29th April, 1947.
C. W. KINSMAN,
Clerk of the Executive Council.

STATE COAL MINE INDUSTRIAL TRIBUNAL ACT 1932.
AWARD No. 70 of 24th APRIL, 1947.

Relating to the Rate of Payment for Public Holidays of Certain Workers at the State Coal Mine, Wonthaggi.

THE State Coal Mine Industrial Tribunal, in pursuance of the powers in that behalf conferred by the provisions of the *State Coal Mine Industrial Tribunal Act 1932* (No. 4030), and constituted as provided by the said Act and the Order in Council made thereunder, hereby determines and awards as follows (that is to say):—

That Award No. 34, dated 7th December, 1936, as varied, be further varied, as set out hereunder:—

1. By inserting at the end of the definition of "Holidays" in clause (3) under the heading "Sunday and Holiday Work" the following words:—"and shall include Anzac Day, 1947."

2. By inserting under the heading "Sunday and Holiday Work" the following additional clause:—

"(4) Any worker covered by Part III. of the Schedule to the *State Coal Mine Industrial Tribunal Act 1932* (No. 4030) not required to work on Good Friday, Easter Monday, or Anzac Day of 1947 shall be paid for each of the said days the day shift rate prescribed for his classification."

Dated this twenty-fourth day of April, One thousand nine hundred and forty-seven.

A. D. ELLIS, Chairman,
State Coal Mine Industrial Tribunal.

Approved by the Governor in Council,
6th May, 1947.
C. W. KINSMAN,
Clerk of the Executive Council.

Transport Regulation Acts.
TRANSPORT REGULATION BOARD.
NOTICES OF PUBLIC HEARINGS.

NOTICE is hereby given that the applications lodged by the persons named below for licences to operate the commercial passenger or goods vehicles on the route or routes, or in the manner set out opposite their names, will be heard at a time and place to be communicated to the parties:—

Name of Applicant; Nature of Application.

- ALL WEATHER SCENIC COACHES PTY. LTD.; 2 commercial passenger vehicles, with seating capacity for 37 persons each, to operate between Melbourne and Cowes, via Dandenong, Cranbourne, Tooradin, Lang Lang, Newhaven.
- ANSETT MOTORS LTD.; application for variation of licence A.652 to include the ability to convey persons arriving or departing by aeroplane between Ansett Motors Ltd., 210 Gray-street, Hamilton, and the Hamilton Aerodrome, under contract to Ansett Airways Pty. Ltd.
- BLACK, W. MCA., and C. A. H. PRICE; application for variation of licence No. TA.1870 to delete the condition at present existing "that passengers will not be picked up or set down over that section of the route from the corner of Lower Dandenong-road and Warren-road to Mordialloc."
- CROSS, W. J. D., L. J. WATTS, and W. F. WATTS (trading as Colac Central Taxi Service); 2 commercial passenger vehicles, with seating capacity for five persons each, to operate for the carriage of passengers at separate and distinct fares for each passenger within 5 miles Colac (subject to the termination of licences Nos. A.1090 and A.1091 now held by Gainger Bros.).
- ELSTON, G. F.; application for variation of licences Nos. A.1761, A.1762, A.1763, to provide additional trips between the Moorabbin Railway Station and the Heatherton school, as follows:—7.30 a.m. bus from Moorabbin to extend beyond McGrath's factory to school. On Monday, Tuesday, Thursday, and Friday the following additional trips: Leave Moorabbin 10.30 a.m., 1.36 p.m., 2.36 p.m., 4.15 p.m. Leave school corner 10.55 a.m., 1.55 p.m., 2.55 p.m., 4.30 p.m. On Tuesday, Thursday, and Saturday nights picture bus to leave school corner at 8 p.m. for Moorabbin and leave Moorabbin at 10.30 p.m. for school, returning after pictures approximately 11.15 p.m.
- HALE, H. E.; application for variation of licence A.1733 to include charter conditions within 20 miles Girgarre and to Shepparton, Nagambie, and Echuca.
- LE SERVE, A. C.; application for variation of licence A.1362 to include charter conditions within 20 miles Poowong.
- LITTLEHALES, J. H.; application for variation of licences Nos. A.278 and A.711 to—
1. Operate day return tours (a) between Warragul and Mordialloc, via Dandenong, 114 miles, fare 16s. 6d. inclusive, (b) between Warragul and Mt. Martha, via Dandenong, Frankston (lunch), Mt. Martha, return same route, 140 miles, fare 18s. 6d. inclusive.
 2. To operate for the carriage of passengers at separate and distinct fares for each passenger to race meetings and picnics at (a) Dandenong, via Prince's Highway, fare 10s., (b) Sale, via Prince's Highway, fare 15s., (c) Traralgon, via Prince's Highway, fare 8s. 6d., (d) Pakenham, via Prince's Highway, fare 7s., (e) Oakleigh, via Prince's Highway, fare 12s.
- (This replaces the application published in the *Government Gazette* of the 12th February, 1947.)
- LOVE, E. J.; 1 commercial passenger vehicle, with seating capacity for seven persons, to carry passengers, mails, and parcels on a round route from Leongatha P.O., via Leongatha South and Leongatha East.
- LYON, J.; application for variation of licence A.1309 to operate from Kinglake to Eltham Higher Elementary School instead of St. Andrews to Eltham Higher Elementary School.
- REED, R. V., and W. M. TEESE (trading as Metung Auto Service); 1 commercial passenger vehicle, with seating capacity for eleven persons, to operate (a) between Metung and Bairnsdale, (b) charter conditions 20 miles Metung, (c) specified day tours from Metung, subject to the cancellation of licence A.1858 held in the name of R. V. Reed.
- KOLLOSCH, J. M. & V. (trading as Noojee Motors); application for variation of licences Nos. A.1144, A.1145, A.1146, A.1147, to—
1. Depart from Noojee, Mondays to Fridays inclusive, for Warragul, leaving 6.30 a.m., and travelling via Neerim Junction, Neerim South, Rokeby, and terminating at Miller and Co's factory.
 2. Depart Miller and Co's factory 5.30 p.m., travelling via Rokeby, Neerim South, Neerim Junction, to Noojee.
- REID, J. I. D., and W. J. DOUGLAS (trading as Ian Reid's Motor Service); 1 commercial passenger vehicle, with seating capacity for 22 persons, to operate between Bendigo and St. Arnaud, via Laanecoorie and Dunolly.
- ROSS, R. E.; 1 commercial passenger vehicle, with seating capacity for eleven persons, for the carriage of school children between Pimpinio and Dimboola.
- SLATTERY, F. M.; application for variation of licence A.276 to carry passengers and parcels between Gisborne and Gisborne Railway Station.
- SYKES, G. T.; application for variation of licence A.357 to delete charter conditions as at present held and to operate under charter conditions within 20 miles Cressy, and to Geelong, Ballarat, Colac, and Derriallum.
- TANNER, A. R.; application for variation of licence No. A.1436 to operate between Kalimna West and Bairnsdale, via Mungurner. Depart Kalimna West 9.15 a.m. Depart Bairnsdale 3.30 p.m.
- TOMASETTI, G. C., M. M. TOMASETTI, E. M. HALL, B. LUCAS, C. EVANS, R. M. BROWNING (trading as Traralgon Bus Service); application for variation of "A" licences to operate between Traralgon and Sale, via Rosedale every Saturday night. Depart Traralgon 6.50 p.m. Depart Rosedale 7.20 p.m. Depart Sale 11.30 p.m. Depart Rosedale 12 midnight.
- TOMASETTI, G. C., M. M. TOMASETTI, E. M. HALL, B. LUCAS, C. EVANS, R. M. BROWNING (trading as Traralgon Bus Service); application for variation of "A" licences to operate between Traralgon and Yallourn every Friday night. Depart Traralgon 7.10 p.m. Depart Morwell 7.30 p.m. Depart Morwell Bridge 7.40 p.m. Depart Yallourn 11 p.m. Depart Morwell Bridge 11.10 p.m. Depart Morwell 11.20 p.m.
- WITHAM, J. R.; 1 commercial passenger vehicle, with seating capacity for five persons, to operate (a) for the carriage of passengers at separate and distinct fares for each passenger within 5 miles Epping, (b) private hire 50 miles Epping.
- BROWN, A.; 1 commercial goods vehicle for the carriage of bricks on behalf of the Glen Iris Brick Co., within a radius of 40 miles from the works of such company at Thornbury.
- GREEN, A. H.; 1 commercial goods vehicle for the carriage of brown coal from the Boxlea Colliery, Bacchus Marsh, to Melbourne, Ballarat, Geelong, and Daylesford.
- PORRA, J. A.; 1 commercial goods vehicle for the carriage of (a) general goods 20 miles Wedderburn, (b) live-stock 50 miles Wedderburn.
- IREDALE, H. L., and I. L. LAMB; 1 commercial passenger vehicle, with seating capacity for five persons, to operate between Bulumwaal and Bairnsdale, and Tabberabbera and Bairnsdale, subject to the termination of licence A.84 held by A. T. Curtis.

APPLICATIONS for licences to operate commercial passenger vehicles, with seating capacity for five persons, for the carriage of passengers otherwise than at separate and distinct fares for each passenger throughout Victoria.

- BIRCHALL, J. E., St. Kilda.
CORLETT, J. J., Springvale.
CROSS, W. J. D., L. J. WATTS, W. F. WATTS (trading as Colac Central Taxi Service). Two vehicles, subject to the termination of licences PH.195, PH.628 at present held by Gainger Bros.
GANGE, A. J., Fitzroy. Two vehicles.
KENNEDY, H. J., Greensborough.
MALCOLM, G. R., South Yarra.
MILLS, L. E. G., Kyabram.
ROWE, A. E., Caulfield.
SINCLAIR, A. J. & M., East St. Kilda.
SKEHAN, A. J., North Richmond.
SWEENEY, E. L., Richmond.
UTTING, T. E., Melbourne.

Notice of any objection should be forwarded to reach the Secretary to the Board not later than Wednesday, the 21st May, 1947.

E. V. FIELD,

Secretary.

Exhibition Buildings, Rathdown-street, Carlton, 6th May, 1947.

National Security (Emergency Powers) Acts.

REGISTRATION OF FUEL MERCHANTS.

IN pursuance of the provisions of section 5A of the National Security (Firewood and Coke Supply) Regulations (No. 4) published in the *Government Gazette* of 31st May, 1944, No. 95, the following fuel merchants are hereby registered by the Forests Commission:—

Name; Place of Business.

B.

Bateman, A. E.; 49 York-street, North Fitzroy.
Beaton, H., and Kuzel, L.; Little Curzon-street, North Melbourne.
Bennett, W.; 181 Through-road, Surrey Hills.
Bottrell, B. T.; 31 Chelmsford-street, Kensington.
Box Hill Wood Supply (Beattie, C. F.); 1129 Whitehorse-road, Box Hill.
Brooks, W. K.; 117 Easey-street, Collingwood.

C.

Cameron, J. E.; William-street, Greensborough.
Cameron, J. E.; 621 Heidelberg-road, Fairfield.
Carlsson, C. W.; 11 Dover-street, North Williamstown.
Clifford Bros. (L. F. and W. S.); North Carlton Railway Siding.
Coleman, J.; Rear No. 10 and 12 Railway-place, Flemington.
Communal Fuel Produce and Garden Supplies (Moore, F. W., and Smith, A. J.); cr. Bealiba and Narrawong roads, Caulfield.
Corrigan, L. L.; Patterson-road, Moorabbin.
Cowen and Andrews; 1935A Lower Malvern-road, Darling.

D.

Davey, J. J. and Co.; cr. Douglas-parade and Hotham-street, North Williamstown.
Davidson, T. R.; Old Dandenong-road, Heatherton.
Den-Boer, P. J.; cr. Buckley and Victoria street, Footscray.

E.

Earle, F. J.; 641 High-street, Preston.
Edwards, R. L.; 520 High-street, Preston.
Erwin, C. J., and Collins, E. M.; 831 High-street, Thornbury.

F.

Ferry, J.; 103 Bay-street, Port Melbourne.
Foley, R.; 9 Alpine-grove, Pascoe Vale.
Fricker, B.; 841 High-street, Thornbury.

G.

Geary, M. and Son; 151 Albert-street, Brunswick.
Grieve, J. T.; 297 Camberwell-road, Camberwell.
Groves, W.; 432 Malvern-road, Prahran.

H.

Harding, J., and Horsfield, R.; 16-18 Gilbert-road, West Preston.
Houghton, C. G.; 259 Plenty-road, Preston.
Huggard Bros.; cr. Swan and McNall streets, Richmond.
Hughes, W. M.; rear 96 Condell-street, Fitzroy.

J.

Jarrett, E. G.; cr. Brickwood and Head streets, Elwood.

K.

Kennedy and Quirk; 65 Gwyne-street, Richmond.

L.

Lahey Bros.; cr. Burke road and Wills street, Gardiner.
Lawmaine Fuel Supply (Wallace, R. G., and Maine, H. D.); 580 Swanston-street, Carlton.
Leech, H.; rear 91 Michael-street, North Fitzroy.
Lewis, Les.; Ivanhoe Railway Siding.
Lewis, Les.; 244 Waterdale-road, Ivanhoe.

M.

Marcantelli, P.; 39 Spry-street, North Coburg.

Mc.

McNiven, A.; 614 Drummond-street, North Carlton.

O.

Ogilvie, W.C.; rear 33 The Crescent, Ascot Vale.

P.

Parker, W.; Rotherwood-avenue, Mitcham.
Pizaro, W. J.; 50 Reid-street, North Fitzroy.
Porter, W. J.; 8 Sandringham-road, Sandringham.

S.

Shepherd, F.; 6 Storey-road, Reservoir.
Sims, T. J.; Lahinch-street, Broadmeadows.
Stebbing, F.; 80 Victoria-street, Flemington.
Stephens, J.; 4 Ashley-street, West Footscray.
Stuart Bros.; cr. Glenhuntly and Orrong roads, Elsternwick.

T.

Timms, W.; Moreland Railway Siding.
Tobias, R. K., and Bassani, A.; cr. High and Bendigo streets, Prahran.

V.

Vance, R.; 111 Sunshine-road, West Footscray.

W.

Williams, E. J.; 176 Melville-road, West Brunswick.
Williams, D. J.; cr. Gaffney and Bishop streets, Pascoe Vale.

Transfers.

Armadale Fuel and Ice Supply (MacArthur, D.), 850 High-street, Armadale, from Bevan, E. D. H.
Armour and Burns, 502 Lygon-street, Carlton, from Burns, T. P.
Auburn Fuel Supply (Cartledge, R., and Bastrup, L.), 35 Camberwell-road, East Hawthorn, from Cartledge and Sullivan.
Baker, E., 57 Toorak-road, South Camberwell, from Collier, J. R.
Boothey, E. A., 668 Barkly-street, West Footscray, from Boothey, R. H.
Boyles Bros., 1280 Malvern-road, Malvern, from Bloom, T. H.
Cameron, J., cr. Bell-street and Clifton-grove, Coburg, from Simons, W. E.
Chinnock and McKenzie, Pattison-street, St. Kilda, from Greer, M.
Collins, Leo., 443 Mt. Alexander-road, Ascot Vale, from Laing, H. A.
Crooke Bros., Hertford-road, Sunshine, from Crooke, V. H.
Curley, J., and Jacobs, E. (2 yards), cr. Canning and Kay streets, and cr. Faraday and Canning streets, Carlton, from Hansen, E. C.
Daly, E., 535 Bell-street, Preston, from Francis, A. W.
Dawes, R. W. and Bros., 131 Smith-street, Thornbury, from Thompson and Walker.
Eagles, E., 564 Station-street, Box Hill, from Harding, J. R.
English, C., 6A Albert-street, Brunswick, from York, A.
Firth, W. E., 57 Toorak-road, South Camberwell, from Baker, E.
Freeman, C. P. T., 169 Burke-road, East Malvern, from Goldsworthy, G. R.
Gleeson, A. L., 37 Couch-street, Sunshine, from Cannon and Gleeson.
Gleeson, A. L., 103 Anderson-road, Sunshine, from Cannon and Gleeson.
Grieve and Davis, 297 Camberwell-road, Camberwell, from Grieve, J.
Hogan, E., cr. Davies and De Carle streets, Brunswick East, from Linington, —.
Holdsworth, T. H., Suffolk-street, Sunshine, from Gardiner, J. A.
Hutson, J. and A., 25 Irving-street, Footscray, from Johnson, P. and R.
I.X.L. Fuel (Barron, H.), 518 High-street, Preston, from Edwards, R. L.
Johnson, L., and Wastell, J. C. (trade name of Beckenham and Rooney retained), 32 Rathmines-road, Auburn, from Beckenham and Rooney.
Kane, A. V., 88 Warrigal-road, Oakleigh, from Flint, H. R.
Kinnane, J., cr. Ormond and Mt. Alexander roads, Ascot Vale, from Wiggett, G.
Kirkwood Fuel and Ice (Deacon, R. T., and Maguire, A.), cr. Royal-avenue and Bluff-road, Sandringham, from Kirkwood, S. H.
Lewis, Les., cr. Burke-road and Maud-street, North Balwyn, from Lewis, L., and McKee, H.
Lock Bros., 118 High-street, Kew, from Sheppard, J.
Long and Murphy, Bluff-road, Moorabbin, from Long, B. J.
McDonald, H. C., and Newton, L. M. (Great Northern Wood Supply—trade name retained), 137 Glenlyon-road, East Brunswick, from Gee, D. L.
McDonald, W., 124 Abbotsford-street, North Melbourne, from Norman, W.
Mahar, A. V., Kerferd-place, Albert Park, from McKusker, K. C.
Morce, J. E., and White, C. H., 390 Plenty-road, Preston, from Hanrahan, J.
Natham Bros., cr. Separation and Derby streets, Northcote, from Thompson and Walker.
Neeson and Crook, cr. Lygon and Blyth streets, East Brunswick, from Hall, D. V.
Nott, R., and McEachern, K., 226 Elgin-street, Carlton, from Brady, R.
Pizaro, W. J., 24 Reid-street, North Fitzroy, from Porter, L.
Ravenscroft, G. H., and J. H., 66 Nicholson-street, Footscray, from Ravenscroft, G. H.

Reed and Geron, Toorak Siding, from Reed, Newton.
 Reynolds, K. R., 22 Barrow-street, East Coburg, from Barfett, P.
 Ross, D. V. R., cr. Alexander and John streets, Footscray, from Hooke, L., and Proud, M.
 Tennent, W. and Sons, 106 Campbell-street, Collingwood, from Tennent, W.
 Tootell, S. R., 2A Stewart-street, Brunswick, from Henderson, A.
 Treacy, J., and Son, Martin-street, South Yarra, from Purcell and Treacy.
 Trotter, P. G., 72 Market-street, Newport, from Weybury's Fuel Depot.
 Turner, A. J., 75 Epsom-road, Ascot Vale, from Martin, T. G.
 Trotter, P. G., 16 Pier-street, Altona, from Trotter and Timmins.
 West, T. C., 757 Whitehorse-road, Mont Albert, from Coles, G. J.
 Williams, H. V., and Wall, T. S., 93 Hawdon-street, Heidelberg, from Prentice, T. A.
 Williams, J. L., Suffolk-road, Sunshine, from Holdsworth, T. H.

Location Transfers.

Communal Fuel, Produce, and Garden Supply (Moore, F. W., and Smith, A. J.), from Elgar-road, Box Hill, to cr. Bealiba and Narrawong roads, Caulfield.
 Downes Bros., from 52 Albion-street, West Brunswick, to cr. Edward-street and Sydney-road, Coburg.
 Harbour, A., and Son, from 88 Haines-street, North Melbourne, to 20 Albion-street, Brunswick.

Cancellations.

Black, S., cr. Epsom and Charles streets, Ascot Vale.
 Brooks, T. L., 269 High-street, Prahran.
 Brownfield, W. S., 181 Through-road, Surrey Hills.
 Dempsey, O. C., 297 Camberwell-road, Camberwell.
 Edwards, R., 68 Newell-street, West Footscray.
 Graham, J. J., 388 High-street, Northcote.
 Horton, V., cr. Glenhantly and Orrong roads, Elsternwick.
 Norman, W., 124 Abbotsford-street, North Melbourne.
 Varcoe and Head, 128 Head-street, Elsternwick.

Victoria.

Electric Light and Power Act 1928 and State Electricity Commission Acts.

BIRCHIP ELECTRIC LIGHTING ORDER 1941 VARIED.

WHEREAS on the 31st day of October, 1938, the Birchip Electric Supply Company Limited (hereinafter called "the undertakers") was granted an Order in Council, under the *Electric Light and Power Act 1928*, cited as the Birchip Electric Lighting Order No. 237, 1941, authorizing the undertakers to supply electricity within an area comprising all that land contained within a circle having the post office at Birchip as its centre, and a radius of 1 mile, for a period of fifteen years, commencing on the eighth day of March, 1941: And whereas the undertakers have made application to have an amendment made to the Fourth Schedule annexed to the said Order to vary the prices to be charged for electricity: Now therefore His Excellency the Governor of the State of Victoria, by and with the advice of the Executive Council thereof, doth, by an Order made on the 6th day of May, 1947, acting pursuant to the provisions of section 13 of the said Act, hereby vary the prices to be charged by the undertakers for electricity by substituting the following section for section 1 of the said Fourth Schedule, that is to say:—

SECTION 1.

Where the undertakers charge any consumer by the electrical quantity supplied to him, they shall be entitled to charge him at the following rates:—

For electricity supplied for lighting purposes—	
For any amount	1s. 2d. per unit.
For electricity supplied for purposes other than lighting—	
From one to fifty units per month	7d. per unit.
For each unit over fifty units per month, but not exceeding one hundred units	6d. per unit.
For each unit over one hundred units per month	5d. per unit.

And that the foregoing amendment shall apply as and from the first day of May, 1947.

C. W. KINSMAN,
 Clerk of the Executive Council.

At the Executive Council, Melbourne, 6th May, 1947.

NOTICE TO MARINERS.

[No. 3 of 1947.]

AUSTRALIA—VICTORIA.

WESTERNPORT.

(1) *Light to be discontinued.*

Date.—Shortly.
Position.—Round Island (The Knobbs). Lat. 38 deg. 31 min. 18 sec. S.; Long. 145 deg. 6 min. 38 sec. E.
Details.—The present structure will be demolished and the light will be withdrawn therefrom.

(2) *Light to be established.*

Date.—Shortly.
Position.—On Grant Point, 3.6 cables 074 deg. 34 min. from the light at (1) above.

Abridged Description.—Gp. Fl. (2) W.R.G. ev. 9 sec. 160 ft. 19.9.9.M.(U.).

Details.

Character.—Group Flashing every 9 seconds, thus—Flash $\frac{1}{2}$ sec., eclipse 1 sec.; flash $\frac{1}{2}$ sec., eclipse 7 sec.
Sectors.—Red from 210 deg. through west to 081 deg.; white thence to 148 deg.; green thence to 210 deg.

Visibility.—White 19, red and green 9 miles.

Elevation.—160 ft.

Structure.—Steel-framed tower, 50 feet high.

Charts Affected.—Nos. 1707-1171-1695B-3169.

Publications.—*General Notice to Mariners Respecting Navigation in Victorian Waters 1942*, pages 179, 181, 319; *Admiralty List of Lights, Part X., 1942*, No. 1279; *Australia Pilot, Vol. II., 1944*, page 104.

D. STEVENSON,

Port Officer.

Ports and Harbors Branch, Department of Public Works, Melbourne, C.2, 30th April, 1947.

NOTICE TO MARINERS.

[No. 2 of 1947.]

AUSTRALIA.—VICTORIA.

(1) PORT PHILLIP.—REVOCATION OF PROHIBITED AREA.

Previous Notice.—No. 12 (T) of 1944—hereby cancelled.

(2) PORT PHILLIP.—SHOAL REMOVED.

Previous Notice.—No. 1 (3) of 1945—hereby cancelled.
Position.—Royal George shoal 020 deg., distant 6 cables from No. 2 beacon on Pope's Eye Annulus, lat. 38 deg. 16 min. 42 sec. S.; long. 144 deg. 41 min. 54 sec. E. approx.
Remarks.—Shoal removed.

(3) PORT ALBERT.—BUOY WITHDRAWN.

Previous Notice.—No. 5 (6) of 1945.
Position.—Latrobe Island beacon, lat. 38 deg. 45 min. 37 sec. S.; long. 146 deg. 39 min. 05 sec. E. (approx.).

Remarks.—No. 6 buoy, 022 deg. distant 1.31 miles from the above beacon, has been permanently withdrawn.

Charts Affected.—Departmental—Entrance to Port Phillip—West Channel Nos. 1 and 2, Corner Inlet No. 1 (3); Admiralty 2747-309, 1171 (1) and (2), 1703 (3).

D. STEVENSON,

Port Officer.

Ports and Harbors Branch, Department of Public Works, Melbourne, C.2, 2nd May, 1947.

Water Acts.

STATE RIVERS AND WATER SUPPLY COMMISSION.

URBAN DISTRICT SUPPLIED FROM THE COLIBAN SYSTEM OF WATERWORKS.

NOTICE to owners of tenements in the under-mentioned street in the urban district supplied from the Coliban system of waterworks, and the private streets, lanes, courts, and alleys opening thereto:—

Bendigo.

Havlin-street east, from end of existing main about 2½ chains southerly from Hallam-street, southerly to a point about 4½ chains from Hallam-street.

The main pipe in the said street being laid down, the owners of all tenements situated as above are hereby required, on or before the 10th day of June next, to cause proper pipes and stop cocks to be laid, so as to supply water within such tenements from the main pipe.

L. DUGGAN, Secretary,
 State Rivers and Water Supply Commission.
 Melbourne, 2nd May, 1947.

Slum Reclamation and Housing Acts (Section 40 of Act 4996).

GENERAL NOTICE TO PARTIES EMPOWERED BY THE "LANDS COMPENSATION ACT 1928" TO SELL AND CONVEY OR GRANT AND RELEASE, PURSUANT TO PARAGRAPH (b) OF SECTION 40 OF ACT 4996.

GENERAL NOTICE TO TREAT FOR LAND AT MULGRAVE.

No. 6.

IN pursuance of the provisions contained in the *Housing Act 1943* (No. 4996) and the *Lands Compensation Act 1928* (No. 3711), the Housing Commission (hereinafter referred to as "the Commission") hereby doth give notice that the lands, tenements, and hereditaments described in the Schedule hereto are required for the purpose of the Slum Reclamation and Housing Acts, and that the Commission is authorized by consent of the Treasurer, as required by paragraph (a) of sub-section (1) of section 4 of Act 4996, to purchase or take compulsorily the said lands.

And the Commission accordingly hereby gives notice to all the parties interested in such land, and to all the persons empowered by the *Lands Compensation Act 1928* to sell and convey or grant and release the land so required, that it requires to take and purchase the land referred to in the said Schedule hereto, and that it is willing to treat with such parties or persons for the purchase thereof, and as to the compensation to be made and for the damage that may be sustained by reason of the execution of the works.

And further the Commission hereby requires such parties or persons, on or before the expiration of twenty-one days from the nineteenth day of June, 1947, to deliver to the offices of the Commission, at 147 Collins-street, Melbourne, a statement, in writing, of the particulars of the estate and interest in the said lands, tenements, and hereditaments, and of the claims made in respect thereof.

Dated the 22nd day of April, 1947.

By order of the Commission,

J. H. DAVEY,
Secretary.

SCHEDULE.

All that land within the Shire of Mulgrave commencing at the intersection of the east boundary of Warrigal-road, formerly known as Boundary-road, with the south boundary of Batesford-road; thence easterly by a line bearing 90 degrees to the east boundary of Collins-street, formerly known as Boroondara-road; thence southerly by the said east boundary of Collins-street to the north boundary of Waverley-road; thence easterly by the said north boundary of Waverley-road to the west boundary of Bay View-road, also known as Box Hill-road; thence northerly by the said west boundary of Bay View-road to the south boundary of High Street-road; thence westerly by the said south boundary of High Street-road to the east boundary of Queen's-parade; thence southerly and south-westerly by the said east boundary and by the south-east boundary of Queen's-parade to the southern boundary of Mulgrave-street; thence generally easterly by the said southern boundary of Mulgrave-street to the south-east boundary of Gardiner's Creek Reserve, shown on Plan of Subdivision No. 3408, lodged in the Office of Titles; thence generally south-westerly by the said south-east boundary of the said Gardiner's Creek Reserve to the east boundary of Warrigal-road; and thence generally southerly by the said east boundary of Warrigal-road to the point of commencement.

Provided, however, that—

- (i) Any area of land of not more than one half acre and on which—
 - (a) is erected a dwelling-house, or
 - (b) a dwelling-house is being erected; and
- (ii) Any area of land owned and/or managed by the municipality of Mulgrave for recreation purposes,

which is situated within the area of land set out and delineated above shall not be deemed to be within the said area of land for the purposes of Section 40 of the *Slum Reclamation and Housing Act 1938*, as amended by Section 40 of the *Housing Act 1943*.

Plans are available for inspection at the offices of the Estates Branch, Housing Commission, 107 Russell-street, Melbourne, First Floor (at head of ramp), and forms for the making of claims are also available on written application.

Slum Reclamation and Housing Acts (Section 40 of Act 4996).

GENERAL NOTICE TO PARTIES EMPOWERED BY THE "LANDS COMPENSATION ACT 1928" TO SELL AND CONVEY OR GRANT AND RELEASE, PURSUANT TO PARAGRAPH (b) OF SECTION 40 OF ACT 4996.

GENERAL NOTICE TO TREAT FOR LAND AT EAST RESERVOIR AND FAWKNER.

Nos. 7 and 8.

IN pursuance of the provisions contained in the *Housing Act 1943* (No. 4996) and the *Lands Compensation Act 1928* (No. 3711), the Housing Commission (hereinafter referred to as "the Commission") hereby doth give notice that the lands, tenements, and hereditaments described in the Schedule hereto are required for the purpose of the Slum Reclamation and Housing Acts, and that the Commission is authorized by consent of the Treasurer, as required by paragraph (a) of sub-section (1) of section 4 of Act 4996, to purchase or take compulsorily the said lands.

And the Commission accordingly hereby gives notice to all the parties interested in such land, and to all the persons empowered by the *Lands Compensation Act 1928* to sell and convey or grant and release the land so required, that it requires to take and purchase the land referred to in the said Schedule hereto, and that it is willing to treat with such parties or persons for the purchase thereof, and as to the compensation to be made and for the damage that may be sustained by reason of the execution of the works.

And further the Commission hereby requires such parties or persons, on or before the expiration of twenty-one days from the nineteenth day of June, 1947, to deliver to the offices of the Commission, at 147 Collins-street, Melbourne, a statement, in writing, of the particulars of the estate and interest in the said lands, tenements, and hereditaments, and of the claims made in respect thereof.

Dated the 22nd day of April, 1947.

By order of the Commission,

J. H. DAVEY,
Secretary.

SCHEDULE.

FIRSTLY, all that land within the City of Preston commencing at the intersection of the north-west boundary of Plenty-road with the north boundary of Rubicon-street; thence generally north-easterly by the said north-west boundary of Plenty-road to the Darebin Creek; thence generally north-westerly by the said Darebin Creek to the intersection of the same with the production easterly of the south boundary of McMahon-road; thence westerly by the said production easterly of the south boundary of McMahon-road and by the south boundary of McMahon-road to the south-east boundary of Cheddar-road East; thence south-westerly by the said south-east boundary of Cheddar-road East to the north-east boundary of Carrol-street; thence south-easterly and southerly by the said north-east boundary of Carrol-street and by the east boundary of Carrol-street to the north boundary of Cuthbert-road; thence easterly by the said north boundary of Cuthbert-road to the east boundary of Fordham-road; thence southerly by the said east boundary of Fordham-road to the north boundary of Broadway; thence south-easterly across Broadway to the intersection of the south boundary of Broadway with the east boundary of O'Dowd-street; thence southerly by the said east boundary of O'Dowd-street to the north boundary of Howard-street; thence easterly by the said north boundary of Howard-street to the east boundary of Mendip-road; thence southerly by the said east boundary of Mendip-road to the north boundary of Rubicon-street; thence easterly by the said north boundary of Rubicon-street to the point of commencement.

SECONDLY, all that land within the Shire of Broadmeadows, commencing at the intersection of the south boundary of Lynch-road with the eastern boundary of Sydney-road; thence easterly by the said south boundary of Lynch-road and by the production easterly thereof to the east boundary of McBryde-street; thence northerly by the said east boundary of McBryde-street to the north-west corner of lot 10b on Plan of Subdivision No. 4286, lodged in the Office of Titles; thence easterly by the north boundary of the said lot 10b to the Merri Creek; thence generally southerly by the said Merri Creek to the south boundary of Crown Portion 3, Parish of Will Will Rook; thence westerly by the said south boundary of Crown Portion 3, Parish of Will Will Rook, to the eastern boundary of Sydney-road; and thence northerly by the said eastern boundary of Sydney-road to the point of commencement.

Provided, however, that—

- (i) Any area of land of not more than one half acre and on which—
- (a) is erected a dwelling-house, commercial or public building, or
- (b) a dwelling-house is being erected; and
- (ii) Any area of land owned by the municipalities of Preston or Broadmeadows and used for recreation purposes,

which is situated within the areas of land set out and delineated above shall not be deemed to be within the said areas of land for the purposes of Section 40 of the *Slum Reclamation and Housing Act 1938*, as amended by Section 40 of the *Housing Act 1943*.

Plans are available for inspection at the offices of the Estates Branch, Housing Commission, 107 Russell-street, Melbourne, First Floor (at head of ramp), and forms for the making of claims are also available on written application.

4 GEORGE VI. No. 4755, SECTION 6.

I HEREBY give notice that on the 29th April, 1947, I filed elections to administer the following deceased persons' estates, in accordance with section 6 of the *Public Trustee Act 1940*:—

CLARE, MARY AGNES, late of Ballarat, home duties, died 25th July, 1944, intestate.

CLARK, ISABELLA, late of Ballarat, home duties, died 23rd February, 1945, intestate.

FRANCIS, MAUD, late of Church-street, Cheltenham, spinster, died 24th February, 1947, intestate.

HODGKISS, ROBERT HULTON, late of Rutherglen, pensioner, found dead 27th October, 1946, intestate.

HOOPER, JOHN MELBOURNE, late of 58 Fawkner-street, St. Kilda, gardener, died 26th January, 1947, intestate.

JENKINS, WINIFRED JOSEPHINE, late of 108 Abbotsford-street, North Melbourne, married woman, died 20th March, 1947, intestate.

*KEARNEY, VINCENT JOSEPH, late of 288 Hampshire-road, Sunshine, military pensioner, died 4th December, 1946.

LANZINI, ALFONSO, late of 140 Barnard-street, Bendigo, miner, died 26th December, 1946, intestate.

LILLELAND, EDWARD NEIL, formerly of 25 Middle-street, Fitzroy, but late of 102 Ascot-street, Ballarat, printer, died 29th May, 1944, intestate.

MULLINS, GEORGINA, late of 102 Ascot-street, Ballarat, widow, died 17th July, 1943, intestate.

MCGAHY, ROBINSON, late of Leongatha, labourer, died 13th July, 1945, intestate.

*RAWLINGS, WILLIAM MICHAEL, formerly of 21 Middle-street, Ascot Vale, but late of A.I.F., soldier, presumed dead on 31st March, 1941.

REYNOLDS, ANNIE BELL, formerly of Orbost, but late of 237 Canning-street, North Carlton, married woman, died 25th September, 1945, intestate.

ROBINSON, SIDNEY PETER, also known as Sidney Peter Robertson and as Peter Robertson, late of Mount Royal, Royal Park, pensioner, died 30th December, 1946, intestate.

SIMMONDS, ALBERT HENRY, late of Koriella, farm hand, died 17th January, 1947, intestate.

*STICKLAND, JOHN, late of 17 Mortimer-street, Heidelberg, pensioner, died 22nd December, 1946.

WHELAN, THOMAS FRANCIS, late of "Chester Flats," corner of Rowan and Wattle-street, Bendigo, pensioner, died 27th February, 1947, intestate.

* According to the provisions of the will.

C. J. GARDNER,
Public Trustee.

412 Collins-street, Melbourne, 30th April, 1947.

NOTICE.

ADMINISTRATION of the estate of each of the under-mentioned deceased persons has been granted to me, and creditors, next of kin, and all others having claims against the estate of any of the persons so mentioned are required to send particulars of their claims to the Public Trustee, No. 412 Collins-street, Melbourne, on or before the 9th July, 1947, or they will be excluded from the distribution of the estate when the assets are being distributed:—

BASEY, ROBERT, also known as Robert Crimmins, late of 51 Audley-street, Petersham, in the State of New South Wales, steward, died 24th July, 1945, intestate.

BEILBY, ARTHUR CLIFTON, late of 29 Burrindi-road, Caulfield, retired storekeeper, died 19th October, 1946, intestate.

CLARE, MARY AGNES, late of Ballarat, home duties, died 25th July, 1944, intestate.

CLARK, ISABELLA, late of Ballarat, home duties, died 23rd February, 1945, intestate.

*DWYER, WINIFRED MARY VICTORIA, late of 129 Albert-street, Windsor, married woman, died 25th January, 1939.

FRANCIS, MAUD, late of Church-street, Cheltenham, spinster, died 24th February, 1947, intestate.

HODGKISS, ROBERT HULTON, late of Rutherglen, pensioner, found dead 27th October, 1946, intestate.

HOOPER, JOHN MELBOURNE, late of 58 Fawkner-street, St. Kilda, gardener, died 26th January, 1947, intestate.

*HUNTER, WILLIAM, late of Kororoit Creek-road, North Williamstown, retired labourer, died 17th February, 1947.

JENKINS, WINIFRED JOSEPHINE, late of 108 Abbotsford-street, North Melbourne, married woman, died 20th March, 1947, intestate.

JOHNSON, ELLEN, late of 85 Cecil-street, South Melbourne, widow, died 21st February, 1947, intestate.

†KEARNEY, VINCENT JOSEPH, late of 288 Hampshire-road, Sunshine, military pensioner, died 4th December, 1946.

LANZINI, ALFONSO, late of 140 Barnard-street, Bendigo, miner, died 26th December, 1946, intestate.

LILLELAND, EDWARD NEIL, formerly of 25 Middle-street, Fitzroy, but late of 102 Ascot-street, Ballarat, printer, died 29th May, 1944, intestate.

MULLINS, GEORGINA, late of 102 Ascot-street, Ballarat, widow, died 17th July, 1943, intestate.

MCGAHY, ROBINSON, late of Leongatha, labourer, died 13th July, 1945, intestate.

†RAWLINGS, WILLIAM MICHAEL, formerly of 21 Middle-street, Ascot Vale, but late of A.I.F., soldier, presumed dead on 31st March, 1941.

REYNOLDS, ANNIE BELL, formerly of Orbost, but late of 237 Canning-street, North Carlton, married woman, died 25th September, 1945, intestate.

ROBINSON, SIDNEY PETER, also known as Sidney Peter Robertson and as Peter Robertson, late of Mount Royal, Royal Park, pensioner, died 30th December, 1946, intestate.

SIMMONDS, ALBERT HENRY, late of Koriella, farm hand, died 17th January, 1947, intestate.

†STICKLAND, JOHN, late of 17 Mortimer-street, Heidelberg, pensioner, died 22nd December, 1946.

*TODD, PETER GIEKIE, late of 19 Jacka-street, Essendon, retired farmer, died 31st December, 1946.

WHELAN, THOMAS FRANCIS, late of "Chester Flats," corner of Rowan and Wattle-street, Bendigo, pensioner, died 27th February, 1947, intestate.

*WRIGHT, ESTHER MATILDA, late of 7 Ross-street, West-garth, home duties, died 3rd February, 1947.

*YATES, AMELIA, late of 37 Marara-road, Caulfield, married woman, died 25th February, 1947.

* With the will annexed.

† According to the provisions of the will.

C. J. GARDNER,

Public Trustee.

Melbourne, 30th April, 1947.

Farmers Debts Adjustment Act 1935.

CANCELLATION OF STAY ORDER.

NOTIFICATION is hereby given that the Stay Order issued to the under-mentioned farmer has been cancelled by the Farmers' Debts Adjustment Board, such cancellation to take effect on Wednesday, 7th May, 1947.

No. of Stay Order; Name; Address.

3827; Macklan, Isaac; Whitfield.

W. J. EVANS, Deputy Secretary,

Farmers' Debts Adjustment Board.

6th May, 1947.

CONTRACTS ACCEPTED.—(Series 1946-47.)

GENERAL STORES.

Gazette No. 122, 5th July, 1946, Schedule No. 62.—Painters' Sundries, &c. For the rate shown opposite Item No. 56 substitute 1s. 6d. per packet as from 21st February, 1947.

Gazette No. 122, 5th July, 1946, Schedule No. 48.—Iron (Galvanized). The surcharge on all items has been increased to £7 10s. per ton as from 10th February, 1947.

Gazette No. 122, 5th July, 1946, Schedule No. 37.—Electric Lamps, Accessories, &c. For the rates shown opposite Items Nos. 27, 28, and 33 substitute 6s. 9d., 8s., and 13s. per dozen respectively as from 15th September, 1946.

Gazette No. 16, 15th January, 1947, Schedule No. 69.—Stationery, General. For the rate shown opposite Item No. 213 substitute 2s. 2d. per box as from 24th April, 1947.

W. H. RUTHERFORD, Secretary to the Tender Board.
5.5.47.

CONTRACTS ACCEPTED.—(Series 1946-47.)

VICTORIAN RAILWAYS.

169. Broken Metal, at rates (Contract 55715).—Albion Quarrying Co. Pty. Ltd. 170. Bluestone Spalls, at rates (Contract 55860).—C. Snell. 171. Broken Metal, at rates (Contract 55861).—Highfield Quarries Pty. Ltd. 172. Broken Metal, at rates (Contract 55862).—T. Adams and Co. Pty. Ltd. 173. Broken Metal, at rates (Contract 55863).—The Stanley Quarries Pty. Ltd. 174. Broken Metal, at rates (Contract 55873).—C. Snell. 175. Broken Metal, at rates (Contract 55874).—Fairfield Quarries Pty. Ltd. 176. Broken Metal, at rates (Contract 55875).—Lord's Bluestone Quarries Pty. Ltd. 177. Broken Metal, at rates (Contract 55876).—Merri Creek Quarry Pty. Ltd. 178. "Lawton" Platform-type Industrial Trucks, at £455 each (Contract 56133).—Gibson, Battle (Melb.) Pty. Ltd. 179. Abrasive Blasting Cabinets, at £240 each (Contract 56136).—O. Granowski. 180. Rail Anchors, at rates (Contract 56298).—Elder, Smith, and Co. Ltd. 181. Electric Lamps, at rates (Contract 56312).—H. Rowe and Co. Pty. Ltd. 182. Electric Lamps, at rates (Contract 56313).—William Adams and Co. Ltd. 183. Electric Lamps, Item 20, at 11.75d. each (Contract 56315).—Australian General Electric Pty. Ltd. 184. Automatic Sprinklers at Carrage Shed, Wodonga, for £1,736 18s. (Contract 56320).—Central Automatic-Sprinkler Co. Pty. Ltd. 185. Printing Papers, at rates (Contract 56333).—L. A. Wade Pty. Ltd. 186. Cast-steel Wheel Centres, at £8 12s. 6d. each (Contract 56335).—The Steel Company of Australia Pty. Ltd.

By order of the Victorian Railways Commissioners,
E. C. EYERS, Secretary 29.4.47.

ORDERS IN COUNCIL.—(Series 1946-47.)

DEPARTMENT OF PUBLIC INSTRUCTION.

2266. Fifty only stainless steel dye pots, for Gordon Institute of Technology, £100.—J. C. Brown and Co. Ltd., Geelong.

2267. One only "Qualtex" drying oven, one only Duboscq colorimeter, two only 6-in. electric hot plates, one only "Hyvac" pump with motor, for Gordon Institute of Technology, £149 3s.—Watson, Victor Limited, Melbourne.

2268. One only 8-in. Type "T" recessed wheel electric grinder, 415 volt, three-phase supply complete, one only Type "C.1" tool post grinder, 230 volt, single-phase complete, one only Type 8-in. electric grinder, complete with 1-h.p. three-phase motor and starter, water pot, and mounted on a pedestal, for Oakleigh Technical School, £110 10s.—Waldown Pty. Ltd., 3 Bloomberg-street, Abbotsford.

2269. One only Rockwell hardness tester, for Melbourne Technical College, £145.—Australasian Scale Co. Pty. Ltd., Melbourne.

2270. One only bench drill (complete), one only docking saw (complete) (less switch gear), for Bendigo School of Mines, £111 5s.—McPherson's Pty. Ltd., Melbourne.

2271. One only "Godfrey" auto transformer starter with push button operation and dust-proof cover, fourteen only Allan West Type push button overload and no volt line contractor starters, for motors on wood-working machines (supply and fitting), for Collingwood Technical School, £123 5s.—R. G. Harris Pty. Ltd., Collingwood.

Approved by the Governor in Council, 29th April, 1947.
—C. W. KINSMAN, Clerk of the Executive Council.

STATE ELECTRICITY COMMISSION.

2272. The supply of nine only buildings, ex-R.A.A.F. Aerodrome, at West Sale.—Materials Procurement Directorate.

2273. The supply of one only D.4 tractor with bulldozer attachment and winch.—Department of Works and Housing.

2274. The supply of 50,000 lineal feet weatherboards and 50,000 lineal feet hemlock flooring for accommodation at Kiewa Hydro-Electric Scheme, to Quotation No. 3436.—Bowen and Pomeroy Pty. Ltd.

2275. The supply of one only Vauxhall 14-h.p. car, including registration, to Quotation No. 507.—S. A. Cheney Pty. Ltd.

2276. The extension of a lease from the Railways Commissioners of land in Whiteman-street, South Melbourne, for use as a transport depot for a period of ten years from 1st July, 1947.—Victorian Railways Commissioners.

2277. The supply and erection of chain mesh fencing and gates, to Quotation 3526.—Melbourne Wire Works.

2278. The supply of 650 gallons of paints, varnishes, undercoating, &c., for maintenance of Yallourn residences, to Quotation 2963.—Taubmans Pty. Ltd.

2279. The supply of replacement parts for model H.D.14 Allis Chalmers tractors, Yallourn, to Quotation 3394.—Tutt Bryant Pty. Ltd.

Approved by the Governor in Council, 29th April, 1947.—
C. W. KINSMAN, Clerk of the Executive Council.

CHILDREN'S WELFARE ACT 1928, SECTION 62.

At the Executive Council Chamber, Melbourne, the
twenty-ninth day of April, 1947.

PRESENT:

His Excellency the Governor of Victoria.
Mr. McKenzie | Mr. Stoneham.

MANAGER APPROVED.

PURSUANT to the provisions of section 62 of the *Children's Welfare Act 1928*, His Excellency the Governor of the State of Victoria, in the Commonwealth of Australia, by and with the advice of the Executive Council of the said State, doth, by this Order, approve Elizabeth Sherry (Sister Superior) as Manager of St. Joseph's Home, Surrey Hills, in the place of Sister Mary Hildegarde.

And the Honorable William Slater, His Majesty's Chief Secretary for the State of Victoria, shall give the necessary directions herein accordingly.

C. W. KINSMAN,
Clerk of the Executive Council.

VIOLET TOWN WATERWORKS TRUST.

At the Executive Council Chamber, Melbourne,
the twenty-ninth day of April, 1947.

PRESENT:

His Excellency the Governor of Victoria.
Mr. McKenzie | Mr. Stoneham.

ADDITIONAL LOAN OF £7,000.

UNDER the powers conferred by the Water Acts and all other powers enabling him in that behalf, His Excellency the Governor of the State of Victoria, by and with the advice of the Executive Council of the said State, doth hereby grant an additional loan of Seven thousand pounds (£7,000) to the Violet Town Waterworks Trust for new dam, mains and reticulation improvements as set forth in the detailed statement bearing the date of 22nd April, 1947, and verified under the Seal of the State Rivers and Water Supply Commission.

The loan hereby granted shall be subject to the provisions of the Water Acts.

And the Honorable Leslie William Galvin, His Majesty's Minister of Water Supply for the State of Victoria, shall give the necessary directions herein accordingly.

C. W. KINSMAN,
Clerk of the Executive Council.

ELMORE WATERWORKS TRUST.

At the Executive Council Chamber, Melbourne,
the twenty-ninth day of April, 1947.

PRESENT:

His Excellency the Governor of Victoria.
Mr. McKenzie | Mr. Stoneham.

ADDITIONAL LOAN OF £1,130.

UNDER the powers conferred by the Water Acts and all other powers enabling him in that behalf, His Excellency the Governor of the State of Victoria, by and with the advice of the Executive Council of the said State, doth hereby grant an additional loan of One thousand one hundred and thirty pounds (£1,130) to the Elmore Waterworks Trust for new Pipe Mains, Pumps and Motors as set forth in the detailed statement bearing the date the 21st April, 1947, and verified under the Seal of the State Rivers and Water Supply Commission.

The loan hereby granted shall be subject to the provisions of the Water Acts.

And the Honorable Leslie William Galvin, His Majesty's Minister of Water Supply for the State of Victoria, shall give the necessary directions herein accordingly.

C. W. KINSMAN,
Clerk of the Executive Council.

HEATHCOTE WATERWORKS TRUST.—EXTENT OF DISTRICT INCREASED.

At the Executive Council Chamber, Melbourne, the twenty-ninth day of April, 1947.

PRESENT:

His Excellency the Governor of Victoria.
Mr. McKenzie | Mr. Stoneham.

UNDER the powers conferred by the Water Acts and all other powers enabling him in that behalf, His Excellency the Governor of the State of Victoria, by and with the advice of the Executive Council of the said State, doth hereby declare, order, and direct as follows:—

That the extent of the Waterworks District of the Heathcote Waterworks Trust be increased by adding to same the lands set out and described in the Schedule hereto, and as on and from the date hereof the extent of such district shall be deemed to be increased accordingly.

SCHEDULE.

Portion I.—Tooborac Reticulation Area.

Commencing at a point in the Parish of Tooborac, County of Dalhousie, being the most southerly angle of Crown allotment 1, section I.; thence north-easterly about 350 links along the south-eastern boundary of the said Crown allotment 1; thence generally south-easterly by a line parallel to the north-eastern boundaries of Crown allotments 2, 3, and 4, all of section I., across the said Crown allotments 2, 3, and 4 to a point on the south-eastern boundary of the said Crown allotment 4; thence by a line being a continuation thereof across a road to a point on the north-western boundary of Crown allotment 2, section II., Parish of Tooborac, County of Dalhousie, about 300 links from its most northerly angle; thence by a line parallel to the north-eastern and eastern boundaries of the said Crown allotment 2, to a point on its southern boundary, about 300 links from its south-eastern angle; thence by a line being a continuation thereof across a road to a point on the northern boundary of Crown allotment 4, section IV., about 300 links west from its north-eastern angle; thence by a line parallel to the eastern boundaries of the said Crown allotment 4 and Crown allotment 5, section IV., across the said Crown allotments 4 and 5; thence by a line being a continuation thereof across a road, across Crown allotments 1, 2, and 3, section V., parallel to their eastern boundaries, across a road, across part of Crown allotment 4, section VII., across a road and across Crown allotment 9A for about 320 links; thence easterly by a line being parallel to the northern boundary of Crown allotment 1A, section VIII., across the said Crown allotment 9A, across a three-chain road and about 850 links across part of Crown allotment 1A; thence northerly about 250 links by a line parallel with the western boundary of the said Crown allotment 1A, easterly about 900 links by a line parallel to the northern boundary of Crown allotment 1A, across Crown allotment 1A and passing into Crown land; thence northerly about 280 links by a line parallel to the western boundary of the said Crown land, across the Crown land to a point on its northern boundary; thence by a line being a continuation thereof across a road, and continuing 500 links across Crown allotment 5, section VII.; thence westerly about 1,150 links by a line parallel to the southern boundary of Crown allotment 3A, across parts of the said Crown allotments 5 and 3A; thence northerly about 850 links by a line across the said Crown allotment 3A parallel to its western boundary; thence westerly by a line parallel to the southern boundary of Crown allotment 3A across the said Crown allotment 3A to a point on the eastern boundary of the Wallan and Bendigo railway reserve; thence generally northerly along the said eastern boundary of the railway reserve to its point of intersection with the northern boundary of Crown allotment 5A, section VIII.; thence easterly along the northern boundary of the said Crown allotment 5A to its north-eastern angle; thence northerly along the western boundary of Crown allotment 5, section VIII., to a point about 830 links from the north-eastern angle of Crown allotment 2A, section VIII.; thence westerly by a line parallel to the northern boundary of Crown allotment 2A, across the said Crown allotment 2A to its point of intersection with the eastern boundary of the Wallan and Bendigo railway reserve; thence generally northerly along the said eastern boundary of the railway reserve to a point about 700 links from the point of intersection of the eastern boundary of the railway reserve and the southern boundary of Crown allotment 8, section C, Parish of Panyule, County of Dalhousie; thence by a line bearing north 61 deg. 15 min. east about 1,100 links across the said Crown allotment 8; thence north-westerly about 900 links by a line parallel to the south-western boundary of

Crown allotment 8; thence generally north-easterly about 300 links by a line parallel to portion of its north-western boundary; thence north-easterly about 800 links in line with portion of its north-western boundary; thence north-westerly by a line bearing approximately 60 deg. 29 min. west about 300 links across Crown allotment 8 to a point on its north-western boundary, being a point on the Parish boundary of Panyule; thence by a line being a continuation thereof across a road into the Parish of Tooborac and continuing about 500 links across Crown allotment 57D, section XI., Parish of Tooborac, County of Dalhousie; thence south-westerly by a line parallel to the south-eastern boundary of Crown allotment 57D, across the said allotment to its point of intersection with the north-eastern boundary of Crown allotment 58, section XI., Parish of Tooborac, County of Dalhousie; thence south-easterly along the said north-eastern boundary about 100 links; thence south-westerly across Crown allotment 58 by a line parallel to portion of the south-eastern boundary of the said Crown allotment 58, about 1,050 links to its point of intersection with the eastern boundary of the Wallan and Bendigo railway; thence generally northerly about 1,800 links along the said eastern boundary of the railway reserve; thence south-westerly by a line parallel to the northern boundary of Crown allotment 1, section I., across the said Crown allotment 58, across a road, across Crown allotment 18, across a road and across Crown allotment 1 to a point on its south-western boundary about 530 links from its most westerly angle; thence south-easterly along the south-western boundary of Crown allotment 1 to the point of commencement.

Portion II.—Site of Service Basin.

The site of the service basin being the lands occupied by the said service basin, commencing at the north-western angle of Crown allotment 3, section III., Parish of Tooborac, County of Dalhousie; thence easterly about 250 links along its northern boundary; thence southerly about 690 links by a line parallel to the western boundary of the said Crown allotment 3, across Crown allotment 3; thence westerly about 500 links by a line parallel to the southern boundary of the said Crown allotment 3, across part of the said allotment and into Crown allotment 12A, section III.; thence northerly about 690 links, by a line parallel to the eastern boundary of Crown allotment 12A to a point in line with the southern boundary of Crown allotment 2, Section III.; thence easterly by a line across Crown allotment 12A to the point of commencement.

Portion III.—Site of Reservoir.

The site of the reservoir being the lands occupied by the said reservoir, commencing at a point on the western boundary of Crown allotment 12A, section III., Parish of Tooborac, County of Dalhousie, such point being about 1,450 links from the south-western angle of the said Crown allotment 12A; thence by a line parallel to the northern boundary of Crown allotment 12A; across a road, across part of Crown allotment 12, section III., and across the Heathcote water race to a point on the western boundary of the water easement of the said water race; thence southerly along the said western boundary of the water race to a point about 450 links from the south-eastern angle of Crown allotment 8A, section III.; thence easterly by a line parallel to the southern boundary of the said Crown allotment 8A, across the said allotment to a point on its eastern boundary about 380 links from its south-eastern angle; thence by a line being a continuation thereof across a road and about 300 links across part of Crown allotment 12A; thence northerly about 450 links by a line parallel to its western boundary across Crown allotment 12A; thence generally north-westerly about 700 links across Crown allotment 12A to the point of commencement.

Portion IV.—Site of Pumping Station.

The site of the pumping station being a site occupied by the said pumping station near the southern boundary of Crown allotment 12A, section III., Parish of Tooborac, County of Dalhousie.

Portion V.—Site of Pipe Main.

Commencing at a point on the southern boundary of the area reserved for the reservoir; thence south-easterly by a line 100 links in width, being 50 links on either side of the centre line of the pipe main, across Crown allotment 12A, section III., Parish of Tooborac, County of Dalhousie, to the site of the pumping station; thence south-easterly from a point on the eastern boundary of the area reserved for the pumping station across the said Crown allotment 12A; thence continuing south-easterly and easterly along a road to a point on the western boundary of the Tooborac reticulation area.

Portion VI.—Site of Rising Main.

Commencing at a point being the south-western angle of the area reserved for the service basin; thence south-westerly by a strip of land 100 links in width being 50 links

on either side of the centre line of the rising main, across Crown allotment 12A, section III., Parish of Tooborac, County of Dalhousie, to the site for the pumping station.

The lands set out and described in the foregoing schedule are shown on a plan approved by the Governor in Council and deposited in the office of the State Rivers and Water Supply Commission, Melbourne.

And the Honorable Leslie William Galvin, His Majesty's Minister of Water Supply for the State of Victoria, shall give the necessary directions herein accordingly.

C. W. KINSMAN,
Clerk of the Executive Council.

DEPARTMENT OF LANDS AND SURVEY.

At the Executive Council Chamber, Melbourne, the twenty-ninth day of April, 1947.

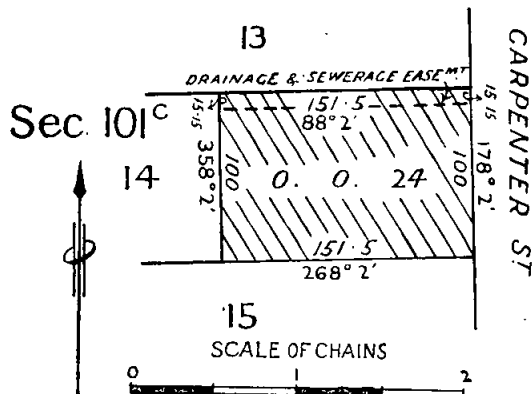
PRESENT:

His Excellency the Governor of Victoria.
Mr. McKenzie | Mr. Stoneham.

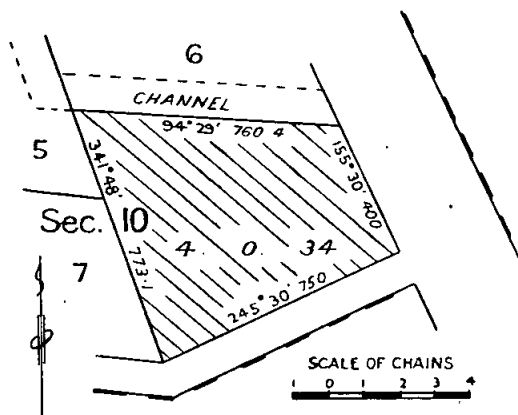
LANDS TEMPORARILY RESERVED FROM SALE.

HIS Excellency the Governor of the State of Victoria, by and with the advice of the Executive Council thereof, doth hereby, in pursuance of the provisions of the Land Act 1923, reserve, temporarily, and also except from occupation for mining purposes under any miner's right, the lands hereinafter described:—

BENDIGO (at Quarry Hill).—Site for Police purposes—24 perches, City of Bendigo, Parish of Sandhurst, County of Bendigo, as indicated by hachure on plan hereunder.—(S.372(20)) (Rs.5953).



TOWAN GURR.—Site for Water Supply purposes—4 acres 0 roods 34 perches, Town of Towan Gurr, Parish of Yarrawalla, County of Gunbower, as indicated by hachure on plan hereunder.—(T.242(B)) (Rs.5956).



And the Honorable Leslie William Galvin, His Majesty's Commissioner of Crown Lands and Survey for the State of Victoria, shall give the necessary directions herein accordingly.

C. W. KINSMAN,
Clerk of the Executive Council.

FACTORIES AND SHOPS ACTS.

At the Executive Council Chamber, Melbourne, the twenty-ninth day of April, 1947.

PRESENT:

His Excellency the Governor of Victoria.
Mr. McKenzie | Mr. Stoneham.

MEAT PRESERVERS BOARD—VARIATION OF APPOINTMENT ORDER.

WHEREAS, in pursuance of the provisions of the Factories and Shops Acts for the time being in force the Governor in Council did by Order appoint a Wages Board described as the Meat Preservers Board, and did by subsequent Orders adjust and vary the powers of the said Board: And whereas it is expedient to vary further the powers of the said Board in the manner hereafter appearing: Now, therefore, His Excellency the Governor of the State of Victoria, by and with the advice of the Executive Council thereof, under the powers in that behalf conferred by the Factories and Shops Acts, doth hereby vary the said Orders accordingly so that in substitution for the powers thereby conferred, the said Meat Preservers Board shall be given the following powers, that is to say:—

To determine the lowest prices or rates which may be paid to any person or persons or classes of persons—

- (a) Employed in the process, trade, or business of—
 - (1) preserving meat;
 - (2) preparing food products from animal fat or from edible oils;
 - (3) putting up preserved meat or food products prepared from animal fat or from edible oils;
- (b) employed as a storeman, packer, or sorter in connexion with the trade or business of—
 - (1) preserving meat;
 - (2) preparing food products from animal fat or from edible oils;
- (c) employed in the process, trade, or business of—
 - (1) pulping of eggs;
 - (2) pulping and drying of eggs in the manufacture of egg powder.

And the Honorable Percy James Clarey, His Majesty's Minister of Labour for the State of Victoria, shall give the necessary directions herein accordingly.

C. W. KINSMAN,
Clerk of the Executive Council.

FACTORIES AND SHOPS ACTS.

At the Executive Council Chamber, Melbourne, the twenty-ninth day of April, 1947.

PRESENT:

His Excellency the Governor of Victoria.
Mr. McKenzie | Mr. Stoneham.

APPOINTMENT OF INSPECTORS OF FACTORIES AND SHOPS.

WHEREAS the undermentioned persons have been appointed, pursuant to the Public Service Act 1946, to the position of Inspector of Factories and Shops (Junior) Technical and General Division in the Department of Labour: Now therefore, His Excellency the Governor of the State of Victoria by and with the advice of the Executive Council thereof by virtue of the powers conferred by the Factories and Shops Acts, doth hereby appoint the said persons to be Inspectors of Factories and Shops under the said Factories and Shops Acts.

- JOHN ALOISIUS BELL;
- RICHARD CRAIG;
- WILLIAM WATKINS GRAHAM;
- JOHN PATRICK HOARE;
- NORMAN FRANCIS MCLENNAN; and
- JAMES LLOYD SPEEDY.

And the Honorable Percy James Clarey, His Majesty's Minister of Labour for the State of Victoria, shall give the necessary directions herein accordingly.

C. W. KINSMAN,
Clerk of the Executive Council.

FACTORIES AND SHOPS ACTS.

*At the Executive Council Chamber, Melbourne, the
twenty-ninth day of April, 1947.*

PRESENT:

His Excellency the Governor of Victoria.
Mr. McKenzie | Mr. Stoneham.

**APPOINTMENT OF AN INSPECTOR OF FACTORIES
AND SHOPS.**

WHEREAS Margaret Mary Durnan has been appointed, pursuant to the *Public Service Act 1946*, to the position of Inspector of Factories and Shops (Junior) (Female) Technical and General Division in the Department of Labour; Now therefore, His Excellency the Governor of the State of Victoria, by and with the advice of the Executive Council thereof by virtue of the powers conferred by the Factories and Shops Acts, doth hereby appoint the said Margaret Mary Durnan to be an Inspector of Factories and Shops under the said Factories and Shops Acts.

And the Honorable Percy James Clarey, His Majesty's Minister of Labour for the State of Victoria, shall give the necessary directions herein accordingly.

C. W. KINSMAN,
Clerk of the Executive Council.

EDUCATION ACT 1928.

*At the Executive Council Chamber, Melbourne, the
twenty-ninth day of April, 1947.*

PRESENT:

His Excellency the Governor of Victoria.
Mr. McKenzie | Mr. Stoneham.

REGULATION V. (M).—TRAINING SCHOOLS.

HIS Excellency the Governor of the State of Victoria, by and with the advice of the Executive Council thereof, and in pursuance of the powers conferred by the *Education Act 1928* and all other powers thereto enabling, doth hereby make the following Regulation, that is to say:—

REGULATION V. (M).—TRAINING SCHOOLS.

1. The Minister, on the recommendation of the Director, may establish any State School or part thereof as a Training School for the purpose of enabling students and other approved persons to receive practice in teaching.

2. The course of instruction in such schools shall be the general course of instruction in State Primary Schools with such modifications as the Director may from time to time determine.

And the Honorable Francis Field, His Majesty's Minister of Public Instruction for the State of Victoria, shall give the necessary directions herein accordingly.

C. W. KINSMAN,
Clerk of the Executive Council.

Public Service Act 1946.

**PERMISSION FOR AN OFFICER OF THE PUBLIC
SERVICE TO ENGAGE IN DUTIES UNCONNECTED
WITH HIS OFFICE AND TO RECEIVE REMUNERA-
TION THEREFOR.**

*At the Executive Council Chamber, Melbourne, the
twenty-ninth day of April, 1947.*

PRESENT:

His Excellency the Governor of Victoria.
Mr. McKenzie | Mr. Stoneham.

UNDER the provisions of Section 52 of the *Public Service Act 1946*, His Excellency the Governor of the State of Victoria, by and with the advice of the Executive Council thereof, doth by this Order grant permission to the under-mentioned officer of the Public Service to engage in the work specified below and to receive remuneration therefor, subject to the conditions that the work be performed by him only during hours outside the ordinary hours fixed for the discharge of his duties in the Public Service:—

A. C. WILLIS, Lands Department—to assist with Commonwealth Mortgage Bank Valuations.

And the Honorable John Cain, His Majesty's Premier for the State of Victoria, shall give the necessary directions herein accordingly.

C. W. KINSMAN,
Clerk of the Executive Council.

THE CONSTITUTION ACT AMENDMENT ACTS.

*At the Executive Council Chamber, Melbourne, the
twenty-ninth day of April, 1947.*

PRESENT:

His Excellency the Governor of Victoria.
Mr. McKenzie | Mr. Stoneham.

**REVOCATION OF APPOINTMENTS OF POLLING
PLACES FOR CERTAIN ELECTORAL DISTRICTS.**

IN pursuance of the provisions contained in The Constitution Act Amendment Acts, His Excellency the Governor of the State of Victoria, by and with the advice of the Executive Council thereof, doth hereby revoke the appointments of the under-mentioned polling places:—

BINDI

as a Polling Place within and for the Omeo Subdivision of the Electoral District of Gippsland East;

TABBERABBERA

as a Polling Place within and for the Lucknow Subdivision of the Electoral District of Gippsland East;

TARRENGOWER

as a Polling Place within and for the Carisbrook Subdivision of the Electoral District of Midlands;

RATHSCAR NORTH and RATHSCAR WEST

as Polling Places within and for the Avoca Subdivision of the Electoral District of Midlands; and

TEN MILE

as a Polling Place within and for the Leongatha Subdivision of the Electoral District of Wonthaggi.

And the Honorable William Slater, His Majesty's Chief Secretary for the State of Victoria, shall give the necessary directions herein accordingly.

C. W. KINSMAN,
Clerk of the Executive Council.

Milk Board Act 1933 (No. 4183).

**CONTRIBUTION FOR RECOUPING EXPENDITURE
DETERMINED.**

*At the Executive Council Chamber, Melbourne, the
twenty-ninth day of April, 1947.*

PRESENT:

His Excellency the Governor of Victoria.
Mr. McKenzie | Mr. Stoneham.

WHEREAS by Section 31, sub-section (1) of the *Milk Board Act 1933* (No. 4183) provision is made for the establishment of a Fund to be called the "Milk Board Fund" and in sub-section (3), of the said Section provision is made for the payment out of the said Fund of such annual contributions as are determined by the Governor in Council towards recouping expenditure incurred under the Milk and Dairy Supervision Acts in improving the quality of milk for consumption in the metropolis: Now therefore His Excellency the Governor of the State of Victoria, by and with the advice of the Executive Council thereof, doth hereby determine that the sum of One hundred and fifty-seven pounds (£157) shall be paid out of the Milk Board Fund as a contribution for the year ending the 30th June, 1946, towards recouping expenditure incurred under the Milk and Dairy Supervision Acts in improving the quality of milk for consumption in the metropolis.

And the Honorable William George McKenzie, His Majesty's Minister of Agriculture for the State of Victoria, shall give the necessary directions herein accordingly.

C. W. KINSMAN,
Clerk of the Executive Council.

THE CONSTITUTION ACT AMENDMENT ACTS.

At the Executive Council Chamber, Melbourne, the twenty-ninth day of April, 1947.

PRESENT:

His Excellency the Governor of Victoria.
Mr. McKenzie | Mr. Stoneham.

APPOINTMENT OF A POLLING PLACE FOR THE ELECTORAL DISTRICT OF MIDLANDS.

IN pursuance of the provisions contained in The Constitution Act Amendment Acts, His Excellency the Governor of the State of Victoria, by and with the advice of the Executive Council thereof, doth hereby appoint

RATHSCAR

as a Polling Place within and for the Avoca Subdivision of the Electoral District of Midlands.

And the Honorable William Slater, His Majesty's Chief Secretary for the State of Victoria, shall give the necessary directions herein accordingly.

C. W. KINSMAN,
Clerk of the Executive Council.

APPROACHING LAND SALES.

SALES of Crown lands, in fee-simple, will be held at the under-mentioned places and dates, viz.:—

	No. of Gazette.
Pyramid.—Thursday, 8th May, 1947	238
Beechworth.—Friday, 10th May, 1947	240

Lands and Survey Office, Melbourne.

CLOSER SETTLEMENT ACT.

A SALE of the under-mentioned land, in fee simple, by auction, will be held at the COURT HOUSE, ECHUCA, on THURSDAY, 5th JUNE, 1947, at half-past TEN o'clock a.m. To be conducted by H. J. HENKEL, Land Officer, Bendigo. Auctioneers: YOUNGHUSBAND LIMITED, Echuca.

PARISH OF ECHUCA NORTH, COUNTY OF RODNEY.

In South-east of Parish.

Area 419a. 3r. 6p., allotment 6, section B, formerly held by W. A. Boal. Improvements consist of house, sheds, and fencing. Subject to channel easement.

TERMS AND CONDITIONS.

Minimum deposit to be paid at sale, 20 per cent. of purchase price. Balance payable by forty equal half-yearly instalments, with interest computed at the rate of 4½ per cent. per annum on the unpaid balance.

Purchaser may pay balance and fees at any time prior to due date, or may, with the consent of the Board of Land and Works, transfer his interest in the purchase (fee £1).

The registration of the transfer may be subject to payment of such further sum as the Board may require in reduction of the outstanding balance.

Crown grant will be prepared and issued as soon as practicable after payment of purchase money in full.

Improvements to be maintained and insured with the Board of Land and Works.

L. W. GALVIN,
Commissioner of Crown Lands and Survey,
Melbourne, 5th May, 1947.

PROPOSED REVOCATION OF TEMPORARY RESERVATION OF LAND BY ORDER IN COUNCIL.

IN pursuance of the provisions of the Land Act 1928, notice is hereby given that it is the intention of the Governor in Council to revoke the temporary reservation of land by Order in Council hereunder referred to, viz.:—

The following Notice was published 1° on the 16th April, 1947, pursuant to Order of the 15th April, 1947.

COBRAM.—The Order in Council of the 12th February, 1890, temporarily reserving 2 acres of land in the Parish of Cobram as a site for a Manure Depot, is about to be revoked.—(C.398^(a)) (H.016586).

L. W. GALVIN,
Commissioner of Crown Lands and Survey.

PROPOSED REVOCATION OF TEMPORARY RESERVATION OF LAND BY ORDER IN COUNCIL.

IN pursuance of the provisions of the Land Act 1928, notice is hereby given that it is the intention of the Governor in Council to revoke the temporary reservation of land by Order in Council hereunder referred to, viz.:—

The following Notice was published 1° on the 30th April, 1947, pursuant to Order of the 22nd April, 1947.

LAANECOORIE.—The Order in Council of the 22nd November, 1869, temporarily reserving 1 acre of land in the Township of Laanecoorie as a site for a Place of Public Worship in connexion with the Church of England, and for a Ministers' Dwelling, is about to be revoked.—(L.140^(a)) (C.89977).

L. W. GALVIN,
Commissioner of Crown Lands and Survey.

HEARING OF REASONS AGAINST THE FORFEITURE OF CERTAIN LICENCES AND LEASES BY PERSONS APPOINTED UNDER 34TH SECTION OF THE LAND ACT 1928.

NOTICE is hereby given that reasons against the forfeiture of the licences and leases in the Schedule hereto, which are deemed liable to forfeiture under the provisions of the Land Acts, will be publicly heard by the persons appointed by me, the responsible Minister of the Crown administering the said Acts, to hear the same and report thereon in writing to me, when the persons in the said Schedule mentioned as holders of such licences and leases will be allowed to show cause against the same at the places and on the dates mentioned in the Schedule hereto.

L. W. GALVIN,
Commissioner of Crown Lands and Survey.

Department of Lands and Survey,
Melbourne, 7th May, 1947.

SCHEDULE.

LAND OFFICE, HAMILTON; 21st May, 1947, H. E. Michell—

424/44, Sydney Watson, 560 acres, St. Helens.
416/44, George Edwards, 60 acres, Myamyn.

COURT HOUSE, CASTERTON, 22nd May, 1947, H. E. Michell—

350/44, Lionel L. Tregenza, 1,043 acres, Tooloy.
349/44, John L. Tregenza, 1,043 acres, Tooloy.
351/44, Gwennie Patterson, 1,048 acres, Tooloy.

THE CLOSER SETTLEMENT ACTS.

NOTICE is hereby given that the Lease mentioned in the Schedule hereunder has been forfeited by the Board of Land and Works for the reason specified.

LEASE UNDER THE CLOSER SETTLEMENT ACT 1938.

Corr.	District.	Lessee.	Allotment.	Section.	Parish.	Area.	Remarks.
44/12	Mallee	Cannard, H. J.	3	..	Minapre	A. . E. P. 1,057-0 31	Non-payment of instalments.

LIST OF CROWN LANDS AVAILABLE.

THE under-mentioned areas are available for application as provided by various sections of the *Land Act 1928*, and all applications received on or before Wednesday, 4th June, 1947, will be deemed to have been simultaneously made, but any application lodged after such date may be considered if received in time for inclusion in the advertisement of the cases to be heard at the Local Land Board. Applications on proper form, accompanied by 5s. duty stamp uncancelled (registration fee), may be delivered or forwarded by post to the Local Land Officer or to any Crown Lands Office in Victoria. Applicants may obtain from Local Land Officers, or the Enquiry Office, Lands Department, Melbourne, a certificate authorizing the issue by the Railway Department of a return ticket at concession fares to enable them to inspect available areas or to attend Local Land Boards. When an applicant is granted an allotment he may, if travelling by rail, obtain reduced fares for his family and also freight concessions in regard to some of his effects.

Subject to the approval of the Minister, when the survey fee exceeds £10, a deposit of £5 may be paid, and the balance over six years in half-yearly instalments. Marked plans of any particular area, application forms, and any further information may be obtained from the Enquiry Office, Lands Department, Melbourne, and Land Officers, Sale, Bairnsdale and Beechworth. Department of Crown Lands and Survey, Melbourne, 7th May, 1947.

L. W. GALVIN,
Commissioner of Crown Lands and Survey.

* Improvements may be subject to re-valuation after land has been granted to an applicant.

Local Land Office.	County.	Parish.	Allotment.	Section.	Area.	How available.		Survey Fee.	Valuation of Improvements (if any).	Location of Land, &c.	Nearest Railway Station or Township and Distance in miles to station.	How accessible.	Water Supply.	General Description of Land—Soil, Timber, Suitability (Gr., &c.).	
						Classification.	Value per Acre.								
AGRICULTURAL AND GRAZING LANDS—SELECTION PURCHASE ALLOTMENTS.															
DIVISION 4, PART I, LAND ACT 1928.															
A.	B.	C.	D.	E.	F.	G.	H.	I.	J.	K.	L.	M.	N.	O.	
Bairnsdale (a, c)	Dargo	Wuk Wuk	37, 37b	..	224 2 14	3rd	0 10	0 12	5 0	To be valued	In east of parish	Lindenow R.S., 10 miles	By road ..	To be conserved	Hilly; sandy loam; timbered with stringybark, gum, bracken; suitable for grazing. (237/44-81)
Bairnsdale (c)	Tambo	Mumberrah	114	..	481 1 5	3rd	0 10	0 14	7 6	To be valued	In east of parish	Mering township, 4 miles	By road ..	To be conserved	Undulating sandy soil; suitable for grazing (174/44)
Bairnsdale (c, d)	Dargo	Wy-yung..	27b	4	100 0 0	3rd	0 10	0 8	17 6	To be valued	In east of parish	Bairnsdale R.S., 9 miles	By road ..	To be conserved	Hilly; sandy to gravelly loam; timbered with stringybark, box and wattle; suitable for grazing (H.O.17924)
Sale (a, b) ..	Wonnangatta	Miowera ..	1	..	199 3 13	3rd	0 10	0 15	2 6	To be valued	On the Wonnangatta River	Dargo township, 10 miles	By fording the river	Wonnangatta River	Mostly steep mountainous country; part alluvial flat; timbered with stunted box, stringybark, bracken and St. John's Wort; suitable for grazing and part cultivation (31/44-81)
Sale (a, c, d)	Baln Baln	Loy Yang	8f	A	312 1 32	3rd	0 10	0 13	15 0	To be valued	In south-west of parish	Traralgon R.S., 7 miles	Country Roads Board road	To be conserved	Hilly to undulating; light gravelly loam; timbered with peppermint, gum, bracken; suitable for grazing (3/44-81)
Sale (a, b, d)	Baln Baln	Yinnar ..	52b	..	35 2 20	3rd	0 10	0 5	17 6	Nil	In south of parish	Yinnar R.S., 3 1/2 miles	By road ..	To be conserved	Steep; light gravelly loam; mostly cleared of timber but overgrown with bracken and blackberries; suitable for grazing (0567/121)
Sale (a, c)	Tanjil ..	Yeerung ..	28 (formerly 55)	1	143 0 0	3rd	1 0	0 8	5 0	To be valued	In north-east of parish	Munro R.S., 4 1/2 miles	Prince's Highway	To be conserved	Flat; light sandy loam; timbered with messmate, gum, box, and peppermint; suitable for grazing (119/121)
Beechworth (a, d)	Bogong ..	Mullagong	12	1	60 0 0	3rd	0 10	0 9	0 0	To be valued	In north-west of parish	Wodonga R.S., 36 miles	By road ..	To be conserved	Moderate to steep slopes; fair to poor gravelly soil; timbered with long-leaved box, red stringybark, and candlebark, mostly stunted and saplings; suitable for grazing (H.O.17621)
Beechworth (a, d)	Delatite ..	Porepunkah	5A	13	35 0 0	3rd	0 10	0 7	12 6	To be valued	In south-west of parish	Porepunkah R.S., 8 miles	By road ..	To be conserved	Hilly to undulating; thickly timbered with peppermint, candlebark and wattles; suitable for grazing (H.O.17535)

(a) Subject to mining condition.—(b) Subject to soil erosion conditions.—(c) Subject to timber condition.—(d) Subject to survey.

COMMITTEES OF MANAGEMENT OF RESERVES.

APPOINTMENTS.

WHEREAS by section 184 of the *Land Act 1928* it is provided that it shall be lawful for the Governor in Council or the Board of Land and Works to appoint and remove any number of persons, not less than three, or any municipal council, or the governing body of any corporation, to be a Committee of Management of any specified Crown land reserved either temporarily or permanently for any of the purposes set out in section 14 of the *Land Act 1928*, and not conveyed to or vested in trustees: Now therefore the Board of Land and Works doth hereby appoint the under-mentioned persons to be members of the Committee of Management of the Reserves named:—

"WYCHEPROOF RECREATION AND SHOWGROUNDS RESERVE."

John Reginald Milburn, William Murdoch Matheson, Cornelius Tom Taylor, Powley Denney, and Edward Francis Joseph Whelan, as a Committee of Management for a period of three (3) years from the 27th March, 1947, of the remaining portion of the land temporarily reserved by Order in Council dated 1st August, 1905, as a site for Public Recreation, together with the land temporarily reserved by Order in Council dated 12th December, 1938, as a site for Public Recreation and Showgrounds, all in the Township of Wycheproof, and known as the "Wycheproof Recreation and Showgrounds Reserve."—(Corres. Rs.174.)

"POMPAPIEL RECREATION RESERVE."

Hubert Andrew Lister, Douglas Roy White, John Alexander Kentish, Leonard Laird, Leonard Raymond Laird, Ronald William Bogie, Harold Frederick Humbert, James Henry Howe, Albert Percival Cliff, and John Christopher Strachan, as a Committee of Management for a period of three (3) years ending 15th April, 1950, of the land temporarily reserved by Order in Council dated the 24th June, 1902, as a site for Public Recreation in the Parish of Pompapiel, and known as the "Pompapiel Recreation Reserve."—(Corres. Rs.3851.)

"MURCHISON PUBLIC GARDENS RESERVE."

James George Kenny, David Crosby Campbell, John Henry Martin Wagener, Arthur Leslie Reynard Wallis, Michael Stanislaus Blady, Thomas Augustine Lewis, Walter Leonard Walker, Wallace Leslie Hamilton, Alfred Salas, John Thomas Polkinghorne, and Leo Patrick Kearney, as a Committee of Management for a period of three (3) years of such portion of the Reserve for Public purposes in the Town of Murchison, as indicated by pink tint on plan marked M.2.8.46 with Lands Department correspondence Rs.785, and known as "Murchison Public Gardens Reserve."—(Corres. Rs.785.)

"SANDFORD RACECOURSE AND RECREATION RESERVE."

Charles Tealing Murrel, Herbert David Mitchell, Frank Russell Cox, James Doyle, William Henry Mitchell, and Harold Somerville, as a Committee of Management for a period of three (3) years from 18th April, 1947, of the land temporarily reserved by Orders in Council dated the 11th October, 1886, and 16th October, 1894, as sites for Racecourse and other purposes of Public Recreation in the Parish of Casterton, and known as the "Sandford Racecourse and Recreation Reserve."—(Corres. Rs.138.)

"MITCHELL PARK RESERVE FOR PUBLIC PARK AND RECREATION RESERVE."

The Council of the Town of Hamilton, as a Committee of Management of the land temporarily reserved by Order in Council of the 15th April, 1947, as a site for Public Park and Recreation in the Parish of South Hamilton, and known as "Mitchell Park."—(Corres. Rs.4475.)

"SANCTUARY FOR NATIVE BEARS IN THE PARISH OF PHILLIP ISLAND."

Alfred Dunbavin Butcher, as a member of the Committee of Management of the land reserved as a Sanctuary for Native Bears in the Parish of Phillip Island, and known as the "Rhyll Koala Reserve," in the place of Frederick Lewis, resigned.—(Corres. Rs.4770.)

"PHILLIP ISLAND KOALA RESERVE."

Alfred Dunbavin Butcher, as a member of the Committee of Management of the land temporarily reserved by Order in Council dated the 21st March, 1940, as a site for the preservation of koalas in the Parish of Phillip Island, and known as the "Phillip Island Koala Reserve," in the place of Fred Lewis, resigned.—(Corres. Rs.79.)

"TRENTHAM MECHANICS' INSTITUTE RESERVE."

William Donnan, Vernon John Leslie Fairless, Geoffrey Richard Plant, John Alexander Flett, Thomas Henry Stanyer, Marie Jean Brown, and Hilda Jane Watson, as a Committee of Management for a period of three (3) years from the 26th April, 1947, of the land temporarily reserved by Order in Council dated the 17th February, 1879, as a site for a Mechanics' Institute in the Town of Trentham, and known as the "Trentham Mechanics' Institute Reserve."—(Corres. Rs.2874.)

"KYABRAM RAILWAY RECREATION RESERVE."

Edward Hamilton Henderson, Benjamin Carr Lancaster, Albert Ernest Harvey Graham Jerman Dawes, Cyril Thomas Vary, Robert Andrew Anderson, and Despard Llewellyn Nuttall, as a Committee of Management for a period of three (3) years from the 14th April, 1947, of the remaining portion of the land temporarily reserved by Order in Council dated the 16th October, 1893, as a site for Public Recreation in the Village of Kyabram, and known as the "Kyabram Railway Recreation Reserve."—(Corres. Rs.742.)

"LORNE CRICKET AND RECREATION RESERVE."

The Council of the Shire of Winchelsea, as a Committee of Management of the lands, subject to the temporary reservations by Orders in Council of the 31st May, 1880, and 28th September, 1942, as sites for Cricket and other purposes of Public Recreation in the Township and Parish of Lorne, as are indicated in red colour on the plan marked L/30.4.1947 attached to Lands Department correspondence Rs.90.—(Corres. Rs.90.)

"BRIGHT RECREATION RESERVE."

William Courtney Snell, William Dunlop Walker, John Farrington, Alfred Charles Price, Reginald George Butler, Edward John Delany, and Albert Francis Antonio Masciorini, as a Committee of Management for a period of three (3) years from 27th April, 1947, of the land temporarily reserved by Orders in Council dated the 29th June, 1891, 6th May, 1913, 10th January, 1924, and 16th November, 1936, as sites for Public Recreation and Show Yards in the Parish of Bright, and known as the "Bright Recreation Reserve."—(Corres. Rs.790.)

"MUNICIPAL TIP PURPOSES RESERVE IN THE CITY OF COLLINGWOOD."

The Council of the City of Collingwood, as a Committee of Management of the land temporarily reserved by Order in Council dated the 15th April, 1947, as a site for Municipal Tip purposes in the City of Collingwood.—(Corres. Rs.3588.)

"WOODEND RACECOURSE RESERVE."

Brigadier Errol Galbraith Knox, M.B.E., as a member of the Committee of Management of the land temporarily reserved for Racecourse and other purposes of Public Recreation in the Town of Woodend, in the place of John Edward Keating, resigned.—(Corres. Rs.111.)

"BITTERN RECREATION RESERVE."

The Council of the Shire of Flinders, as a Committee of Management of the land temporarily reserved by Order in Council dated the 19th January, 1874, as a site for Cricket and General Recreation purposes in the Parish of Bittern, and known as the "Bittern Recreation Reserve."—(Corres. Rs.1742.)

"MERINGUR PUBLIC HALL RESERVE."

Bertie Samuel Hall, George Curtis, Henry Albert Schilling, Lindsey Young, Ernst Paul Johann Ruchel, Charles Mangan, Phillip Arthur Touzel, Talbot Cyril Fox, and Stanley Desmond Baker, as a Committee of Management for a period of three (3) years from the 27th April, 1947, of the land temporarily reserved by Order in Council dated the 23rd December, 1943, as a site for a Public Hall in the Township and Parish of Meringur, and known as the "Meringur Public Hall Reserve."—(Corres. Rs.5470.)

"WINNAMBOOL RECREATION RESERVE."

John Barrie Cullen, Ronald Baker, William Monk, John Mowat, Edna Cullen, George Legg, and Ian Cullen, as a Committee of Management for a period of three (3) years of the land temporarily reserved by Order in Council dated the 24th April, 1923, as a site for Recreation purposes in the Parish of Winnambool, and known as the "Winnambool Recreation Reserve."—(Corres. Rs.2713.)

"LINGA PUBLIC RECREATION RESERVES."

Iva Ronald Southwell, Francis Keith Hayter, Francis Phillip Hayter, Walter Paul Schodde, Albert Edward Wigg, Theodore E. Effrett, and William J. Robbins, as a Committee of Management for a period of three (3) years of the land temporarily reserved by Orders in Council dated 23rd September, 1935, and 21st October, 1940, as sites for Public Recreation in the Township of Linga, Parish of Underbool, and known as the "Linga Public Recreation Reserves."—(Corres. Rs.5112, Rs.4489.)

"LAKE TCHUM RESERVE IN THE PARISH OF KARYRIE."

Joseph Lockwood, O.B.E., J.P., William Clive Dettman, Percy Theodore Phelps, J.P., Frederick Auld Digley, Alfred Charles Harris, James William Waters, Michael William Hogan, Edward Roy Lee, John Francis Dixon, and Michael Francis O'Keefe, for a period of three (3) years ending 25th August, 1949, and Richard Drummond (as the nominee of the State Rivers and Water Supply Commission), as a Committee of Management of the land reserved by Order in Council dated 21st January, 1937, as a site for Conservation of Water and Public Recreation in the Parish of Karyrie, and known as "Lake Tchum Reserve."—(Corres. Rs.4636.)

"TATURA RACECOURSE AND RECREATION RESERVE."

William Robbie Ponting, Trevor Leon La Peyre, Thomas Patrick Flanagan, Thomas Quinn, William Thomas Anderson Martin, John Maher, and William Alexander Mactier, as a Committee of Management for a period of three (3) years from the 26th April, 1947, of the land temporarily reserved by Order in Council dated the 21st February, 1881, as a site for a Racecourse and other purposes of Public Recreation in the Town of Tatura, and known as the "Tatura Racecourse and Recreation Reserve."—(Corres. Rs.478.)

"LAKE ROWAN RECREATION RESERVE."

Arthur Charles McQualter, Gilbert Pringle Holmes, Albert Garfield Tennant, Frank Warton, William Ernest Ralph, John Andrew McQualter, and Frederick Montgomery, as a Committee of Management for a period of three (3) years from the 16th April, 1947, of the land temporarily reserved by Order in Council dated 25th July, 1892, as a site for Public Recreation in the Town of Karrabumet, and known as the "Lake Rowan Recreation Reserve."—(Corres. Rs.1971.)

"VOLCANO WATER RESERVE IN THE PARISH OF SWANWATER."

The St. Arnaud Borough Waterworks Trusts, as a Committee of Management of the land permanently reserved by Order in Council dated the 8th November, 1880, as a site for affording access to water and for other public purposes in the Parish of Swanwater, and known as the "Volcano Water Reserve."—(Corres. Rs.3824.)

"TOORA BEACH RESERVE."

Edward William Warner, Vincent Hawthorne Grano, James Osborne, James Richard Vines, Robert Mackie Gunn, Alfred Edward Wilkinson, and Archibald McCracken, as a Committee of Management for a period of three (3) years of the land temporarily reserved by Order in Council dated 6th August, 1946, as a site for Public purposes in the Parish of Toora, and known as the "Toora Public Purposes Reserve."—(Corres. Rs.5842.)

"WONWONDAH PUBLIC HALL RESERVE."

Harry B. Heard, Ray V. McGennissen, Roy T. Curtis, Herbert V. L. Puls, Hector W. Curtis, and James W. Guest, as a Committee of Management for a period of three (3) years from the 12th April, 1947, of the land temporarily reserved by Order in Council dated the 11th June, 1940, as a site for a Public Hall in the Township and Parish of Wonwondah, and known as the "Wonwondah Public Hall Reserve."—(Corres. Rs.5048.)

In witness whereof the common seal of the Board of Land and Works was hereunto affixed, this second day of May, One thousand nine hundred and forty-seven, in the presence of—

(SEAL) L. W. GALVIN, President.
W. McILROY, Member.

COMMITTEES OF MANAGEMENT OF RESERVES.**REVOCATIONS.**

WHEREAS by section 184 of the *Land Act 1928* it is provided that it shall be lawful for the Governor in Council or the Board of Land and Works to appoint and remove any number of persons, not less than three, or any municipal council, or the governing body of any corporation to be a Committee of Management of any specified Crown land reserved either temporarily or permanently for any of the purposes set out in section 14 of the *Land Act 1928*, and not conveyed to or vested in trustees: Now, therefore the Board of Land and Works doth hereby—

"LORNE FORESHORE AND OTHER RESERVES."

Revoke the appointment of Francis Moloney, Leonard Anthony Browne, Ernest Edward Clarke, Horace Hamerton, Frank E. Richardson, Geoffrey Butler, and John F. Alsop, as a Committee of Management of the Crown lands reserved for Cricket and other purposes of Public Recreation in the Township and Parish of Lorne, as is indicated in red colour on the plan marked L/30.4.1947 attached to Lands Department correspondence Rs.1690.—(Corres. Rs.1690.)

"TOORA BEACH RESERVE."

Revoke the appointment made by it on the twenty-second day of August, 1946, of the Council of the Shire of South Gippsland as a Committee of Management of the land temporarily reserved by Order in Council dated 6th August, 1946, as a site for Public purposes in the Parish of Toora, and known as the "Toora Public Purposes Reserve."—(Corres. Rs.5842.)

In witness whereof the common seal of the Board of Land and Works was hereunto affixed, this second day of May, One thousand nine hundred and forty-seven, in the presence of—

(SEAL) L. W. GALVIN, President.
W. McILROY, Member.

COMMON ABOUT TO BE ABOLISHED.

IN pursuance of the provisions of the *Land Act 1928*, notice is hereby given that it is the intention of the Governor in Council to abolish the common hereinafter mentioned, viz.:—

The following Notice was published 1° on the 7th May, 1947, pursuant to Order of the 2nd May, 1947.

The Hotham Town Common proclaimed as such by Order in Council of the 10th June, 1862, is about to be abolished.—(C.90680.)

L. W. GALVIN,
Commissioner of Crown Lands and Survey.
Melbourne, 29th April, 1947.

TENDERS.

TENDERS will be received at this office until **TEN A.M.** on the days and for the purposes under mentioned.

Particulars may be learnt at this office, and also at the offices named in each instance.

The Board of Land and Works will not necessarily accept the lowest or any tender.

13th May, 1947.

Antona.—Repairs to fences, State School No. 3923. Deposit, £4.

Bairnsdale.—Repairs to desks, State School No. 754. Particulars at Inspector of Works Office, Bairnsdale; Police Stations, Maffra, Sale; State School, Bairnsdale. Preliminary deposit, £4. Final deposit, 2 per cent.

Bayles.—Erection and completion of teacher's residence, State School No. 4374. Particulars at State School, Bayles. Preliminary deposit, £15. Final deposit, 2 per cent.

Baringhup West.—Repairs and painting, State School No. 941. Particulars at Inspectors of Works Offices, Bendigo, Maryborough; Police Station, Castlemaine; State School, Baringhup West. Preliminary deposit, £3. Final deposit, 2 per cent.

Beechworth.—Alterations to main kitchen, provision of new butcher's shop and refrigeration room, Mental Hospital. Particulars at Inspectors of Works Offices, Benalla, Wangaratta; Mental Hospital, Beechworth. Preliminary deposit, £15. Final deposit, 2 per cent.

Castle Donnington.—Erection of new teacher's residence, State School No. 3762. Particulars at Inspectors of Works Offices, Bendigo, Swan Hill; Police Stations, Echuca, Kerang; State School, Castle Donnington. Preliminary deposit, £15. Final deposit, 2 per cent.

Cobram.—Supply and installation of an electric hot-water service, Police Station. Particulars at Inspectors of Works Offices, Benalla, Bendigo, Shepparton, Wangaratta; Police Station, Cobram. Preliminary deposit, £2. Final deposit, 2 per cent.

Foster.—Additions, alterations, and painting, Higher Elementary School and State School No. 1172. Particulars at Inspector of Works Office, Korumburra; Police Stations, Warragul, Yarram; State School, Foster. Preliminary deposit, £10. Final deposit, 2 per cent.

Goorambat.—Removal of residence and re-erection, State School No. 3123. Particulars at Inspectors of Works Offices, Benalla, Wangaratta; Police Station, Euroa; State School, Goorambat. Preliminary deposit, £15. Final deposit, 2 per cent.

Greenvale.—Erection of four (4) timber residences, Sanatorium. Preliminary deposit, £25. Final deposit, 2 per cent.

Hartwell.—Repairs to fences, State School No. 4055. Deposit, £3.

Heatherton.—Supply and installation of one (1) automatic control electric bed lift, Sanatorium. Preliminary deposit, £15. Final deposit, 2 per cent.

Longwarry North.—Erection and completion of teacher's residence, State School No. 4272. Particulars at Police Station, Warragul; State School, Longwarry North. Preliminary deposit, £15. Final deposit, 2 per cent.

Marysville.—Removal and re-erection of existing school buildings, and addition of classroom, State School No. 1273. Particulars at Police Stations, Healesville, Lilydale. Preliminary deposit, £15. Final deposit, 2 per cent.

Metung.—Erection and completion of teacher's residence, State School No. 3050. Particulars at Inspector of Works Office, Bairnsdale; Police Stations, Orbost, Sale; State School, Metung. Preliminary deposit, £15. Final deposit, 2 per cent.

Mont Albert.—External painting and minor repairs to main school, pavilion classrooms, out-offices, &c., State School No. 3943. Preliminary deposit, £10. Final deposit, 2 per cent.

Moondarra.—Repairs, painting, and re-blocking, &c., school and residence, State School No. 2320. Particulars at Inspector of Works Office, Bairnsdale; Police Stations, Moe, Warragul; State School, Moondarra. Preliminary deposit, £15. Final deposit, 2 per cent.

Muckatah.—Remodelling school building, State School No. 2496. Particulars at Inspectors of Works Offices, Bendigo, Shepparton; Police Station, Cobram; State School, Muckatah. Preliminary deposit, £5. Final deposit, 2 per cent.

Ormond East.—Removal of classroom from State School No. 773, Caulfield, and re-erection, State School No. 4366. Preliminary deposit, £10. Final deposit, 2 per cent.

Ovens Vale.—Erection and completion of teacher's residence, State School No. 1407. Particulars at Inspector of Works Office, Wangaratta; Police Stations, Beechworth, Myrtleford; State School, Ovens Vale. Preliminary deposit, £15. Final deposit, 2 per cent.

Ringwood.—General repairs, new shed, and painting, State School No. 2997. Particulars at Police Stations, Lilydale, Ringwood; State School, Ringwood. Preliminary deposit, £15. Final deposit, 2 per cent.

Spotswood.—Repairs, &c., State School No. 3659. Particulars at State School, Spotswood. Deposit, £2.

St. James.—Supply and installation of an electric hot-water service, Police Station. Particulars at Inspectors of Works Offices, Benalla, Bendigo, Shepparton, Wangaratta; Police Station, St. James. Deposit, £2.

Stawell West.—Supply and installation of a fuel hot-water service, residence, Police Station. Particulars at Inspectors of Works Offices, Ballarat, Bendigo, Stawell, Warrnambool. Preliminary deposit, £2. Final deposit, 2 per cent.

Tatura.—Supply and installation of an electric hot-water service, Police Station. Particulars at Inspectors of Works Offices, Benalla, Bendigo, Shepparton, Wangaratta; Police Station, Tatura. Preliminary deposit, £2. Final deposit, 2 per cent.

Violet Town.—Supply and installation of an electric hot-water service, Police Station. Particulars at Inspectors of Works Offices, Benalla, Bendigo, Shepparton, Wangaratta; Police Station, Violet Town. Preliminary deposit, £2. Final deposit, 2 per cent.

Woolamai.—Erection and completion of teacher's residence, State School No. 3856. Particulars at Inspector of Works Office, Korumburra; Police Stations, Loch, Wonthaggi; State School, Woolamai. Preliminary deposit, £15. Final deposit, 2 per cent.

20th May, 1947.

Aberfeldie.—Removal of hut from R.A.A.F. Station, Cressy, and re-erection, State School No. 4220. Deposit, £4.

Alexandra.—Repairs, &c., to residence, State School No. 912. Particulars at Inspector of Works Office, Benalla; Police Stations, Euroa, Seymour; State School, Alexandra. Deposit, £4.

Bairnsdale.—General repairs, painting, &c., High School. Particulars at Inspector of Works Office, Bairnsdale; Police Stations, Orbost, Sale; High School, Bairnsdale. Preliminary deposit, £15. Final deposit, 2 per cent.

Ballarat.—Supply and delivery of two (2) 24-in. air circulating fans, Mental Hospital. Preliminary deposit, £2. Final deposit, 2 per cent.

Baranduda.—Erection and completion of teacher's residence, State School No. 2222. Particulars at Inspector of Works Office, Wangaratta; Police Stations, Tallangatta, Wodonga; State School, Baranduda. Preliminary deposit, £15. Final deposit, 2 per cent.

Barkstead.—Removal of school residence from State School No. 1062, Craigie; re-erection and repairs, State School No. 985. Particulars at Inspectors of Works Offices, Ballarat, Bendigo; Police Stations, Castlemaine, Trentham; State School, Barkstead. Preliminary deposit, £10. Final deposit, 2 per cent.

Bendigo.—Removal of army hut from Ballarat and re-erection and conversion to classrooms, Girls' School. Particulars at Inspectors of Works Offices, Ballarat, Bendigo; Police Station, Castlemaine; Girls' School, Bendigo. Preliminary deposit, £10. Final deposit, 2 per cent.

Blackburn.—Provision of new verandah, alterations, and painting, State School No. 3850 (Open Air School). Particulars at State School, Blackburn. Preliminary deposit, £10. Final deposit, 2 per cent.

Burnley.—Supply and installation of mechanical ventilation equipment in kitchen, Horticultural Gardens. Preliminary deposit, £2. Final deposit, 2 per cent.

Cann River.—Erection and completion of teacher's residence, State School No. 3920. Particulars at Inspector of Works Office, Bairnsdale; Police Station, Orbost; State School, Cann River. Preliminary deposit, £15. Final deposit, 2 per cent.

Clunes.—Electrical installation in new Nurses' Home, Mortuary, and Store, District Hospital. Particulars at Inspectors of Works Offices, Ballarat, Geelong; Police Station, Clunes. Preliminary deposit, £5. Final deposit, 2 per cent.

Clunes.—Extensions to hot-water service to Mortuary and Nurses' and Domestic Quarters, District Hospital. Particulars at Inspectors of Works Offices, Ballarat, Geelong; Police Station, Clunes. Preliminary deposit, £4. Final deposit, 2 per cent.

Clunes.—Erection of Nurses' Home in brick veneer, Mortuary in brick, and fencing, District Hospital. Particulars at Inspectors of Works Offices, Ballarat, Geelong; Police Station, Clunes. Preliminary deposit, £25. Final deposit, 2 per cent.

Dingley.—Erection and completion of teacher's residence, State School No. 4257. Particulars at Police Station, Mentone; State School, Dingley. Preliminary deposit, £15. Final deposit, 2 per cent.

Dookie.—Remodelling of classroom (Chemistry), Agricultural College. Particulars at Inspectors of Works Offices, Benalla, Shepparton, Wangaratta; Agricultural College, Dookie. Preliminary deposit, £5. Final deposit, 2 per cent.

Dudley.—New out-offices for boys and girls, State School No. 3674. Particulars at Inspector of Works Office, Korumburra; Police Station, Wonthaggi; State School, Dudley. Deposit, £3.

Fairfield.—Supply and installation of one (1) steam-heated mattress sterilizer, "Fairhaven" V.D. Hostel. Preliminary deposit, £10. Final deposit, 2 per cent.

Gisborne.—Repairs and painting, school and residence, State School No. 262. Particulars at Inspector of Works Office, Bendigo; Police Stations, Kyneton, Woodend; State School, Gisborne. Preliminary deposit, £5. Final deposit, 2 per cent.

Kenmare.—Removal of timber residence from Willenabrina North, and re-erection, State School No. 3221. Particulars at Inspector of Works Office, Horsham; Police Stations, Hopetown, Nhill, Rainbow; State School, Kenmare. Preliminary deposit, £5. Final deposit, 2 per cent.

Kew.—Supply and installation of refrigerator for bulk storage of butter in Main Store, Mental Hospital. Preliminary deposit, £5. Final deposit, 2 per cent.

Kingston.—Stripping slate roofs, re-slatting, and repairs and renovations, State School No. 759. Particulars at Inspector of Works Office, Ballarat; State School, Kingston. Deposit, £4.

Kyneton.—Heating of classrooms, State School No. 343. Particulars at Inspector of Works Office, Bendigo; Police Stations, Daylesford, Trentham; State School, Kyneton. Preliminary deposit, £4. Final deposit, 2 per cent.

Lockington.—Erection of junior wing, &c., Consolidated School. Particulars at Inspectors of Works Offices, Bendigo, Shepparton; Police Station, Echuca; Consolidated School, Lockington. Preliminary deposit, £25. Final deposit, 2 per cent.

Maffra.—Repairs and painting, residence, State School No. 861. Particulars at Inspector of Works Office, Bairnsdale; Police Station, Sale; State School, Maffra. Preliminary deposit, £2. Final deposit, 2 per cent.

Mandurang.—Repairs and painting, school and residence, State School No. 1952. Particulars at Inspector of Works Office, Bendigo; Police Station, Castlemaine; State School, Mandurang. Preliminary deposit, £10. Final deposit, 2 per cent.

Merbein.—Supply and delivery of thirteen (13) 24-in. air-circulating fans, State School No. 3687. Preliminary deposit, £5. Final deposit, 2 per cent.

Minyip.—Erection of new out-offices, fencing, repairs, and painting, State School No. 2167. Particulars at Inspector of Works Office, Horsham; Police Station, Murtoa; State School, Minyip. Preliminary deposit, £5. Final deposit, 2 per cent.

Nar Nar Goon North.—Erection and completion of teachers' residence, State School No. 2914. Particulars at Police Station, Warragul; State School, Nar Nar Goon North. Preliminary deposit, £15. Final deposit, 2 per cent.

Noble Park.—Removal of girls' out-offices to new position on site, repairs, &c., State School No. 3675. Particulars at Police Station, Dandenong; State School, Noble Park. Deposit, £3 (Amended specification.)

Noojee.—Erection and completion of teacher's residence, State School No. 4098. Particulars at Inspector of Works Office, Bairnsdale; Police Stations, Moe, Sale; State School, Noojee. Preliminary deposit, £15. Final deposit, 2 per cent.

Osborne's Flat.—Repairs to school and residence, new shelter sheds, State School No. 1463. Particulars at Inspector of Works Office, Wangaratta; Police Stations, Beechworth, Tallangatta, Yackandandah. Preliminary deposit, £5. Final deposit, 2 per cent.

Ross Bridge.—Provision of new porch, bathroom, and laundry, repairs and painting, residence, State School No. 1069. Particulars at Inspector of Works Office, Stawell; Police Station, Ararat; State School, Ross Bridge. Deposit, £4.

Scotchman's Lead.—Repairs and painting, provision of new tank and stand, State School No. 589. Particulars at Inspector of Works Office, Ballarat; State School, Scotchman's Lead. Deposit, £3.

Shelford.—Repairs and painting, State School No. 379. Particulars at Inspector of Works Office, Geelong; State School, Shelford. Deposit, £3.

Shepparton.—Erection of new timber residence, Staff Residence No. 277, State Rivers and Water Supply Commission. Particulars at Inspectors of Works Offices, Bendigo, Shepparton; Police Stations, Echuca, Cobram, Tatura. Preliminary deposit, £15. Final deposit, 2 per cent.

South Melbourne.—Replacement of copings, MacRobertson Girls' High School. Preliminary deposit, £10. Final deposit, 2 per cent.

Traralgon.—Repairs and renovations to desks, State School No. 3584. Particulars at Inspector of Works Office, Bairnsdale; Police Stations, Morwell, Sale; State School, Traralgon. Deposit, £3.

Traralgon South.—Erection and completion of teacher's residence, State School No. 2114. Particulars at Inspector of Works Office, Korumburra; Police Stations, Moe, Sale; State School, Traralgon South. Preliminary deposit, £15. Final deposit, 2 per cent.

Yarram.—Renovations to desks, State School No. 693. Particulars at Inspector of Works Office, Korumburra; Police Station, Sale; State School, Yarram. Deposit, £2.

27th May, 1947.

Melbourne.—Extensions to offices, Department of Agriculture, Public Offices. Preliminary deposit, £100. Final deposit, 2 per cent.

Mont Park.—Overhaul and repairs to hydraulic lift, Store, Mental Hospital. Preliminary deposit, £4. Final deposit, 2 per cent.

Royal Park.—Repairs and renovations, Children's Welfare Depot. Deposit, £4.

South Melbourne.—Renewals and painting, Technical School. Preliminary deposit, £10. Final deposit, 2 per cent.

Tenders to be addressed to the Honorable the Commissioner of Public Works, and envelope containing tender marked "Tender for

P. J. KENNELLY,
Commissioner of Public Works.

Melbourne, 6th May, 1947.

PRIVATE ADVERTISEMENTS.

NOTICE OF INTENTION TO APPLY FOR A LICENCE TO DIVERT WATER AND CUT RACES FROM THE GUNBOWER CREEK (NATIONAL CHANNEL) AT PATHO.

I HEREBY give notice that I intend to apply for a licence empowering me to divert water for a term of fifteen years, to the extent of 40 acre-feet per annum, at a maximum rate of 8 acre-feet per day of 24 hours, for irrigation purposes, and to occupy certain Crown lands for works of storage and diversion, and to cut a race thereon.

Any objection to such application must be forwarded, in writing, to the State Rivers and Water Supply Commission, Melbourne, within 30 days of the date hereof.

ROBERT J. McNAUGHT.

Patho, 29th April, 1947. 199

NOTICE OF INTENTION TO APPLY FOR A LICENCE TO DIVERT WATER AND CUT RACES FROM LAKE CHARM AT THE WEST SIDE.

I HEREBY give notice that I intend to apply for a licence empowering me to divert water for a term of fifteen years to the extent of 30 acre-feet per annum at a maximum rate of 10 acre-feet per day of 24 hours for irrigation purposes, and to occupy certain Crown lands for works of storage and diversion, and to cut a race thereon.

Any objection to such application must be forwarded, in writing, to the State Rivers and Water Supply Commission, Melbourne, within 30 days of the date hereof.

FREDERICK CHARLES HORSFALL.

Lake Charm, 15th April, 1947. 197

NOTICE is hereby given that the trustees of the Williamstown Golf Club have applied for a lease, under section 125 of the *Land Act* 1928, for a term of ten years from 1st July, 1947, of 100 acres north of the Truganina Explosives Reserve and west of Queen-street, as a site for a golf course.

C. H. BLACKBURN, Trustee.

188

CITY OF MOORABBIN.

BY-LAW No. 101.—BUILDING REGULATIONS.

NOTICE is hereby given that, in pursuance of the powers conferred by the Local Government Act and the Uniform Building Regulations (Victoria), the Council of the City of Moorabbin has made a By-law numbered 101 for—

- (a) Determining, applying, dispensing with or regulating such matters as are left to be determined, applied, dispensed with or regulated by the Council of the said City of Moorabbin under the Uniform Building Regulations (Victoria).
- (b) Regulating, restricting, restraining or prohibiting the erection or construction, use, occupation, and conversion of buildings or erections, and regulating, restraining or prohibiting the erection and construction of hoardings or of fences abutting on or within 10 feet of any street or road.

Such By-law repeals By-laws Nos. 61, 82, 84, 86, 90, 91, 92, 93, 94, 95, 96, 97, 98, 99, and 100 of the City of Moorabbin, and shall come into operation immediately after its publication in the *Victoria Government Gazette*.

The resolution for passing the said By-law No. 101 was agreed to by the Council on the 18th day of February, 1946, and confirmed on the 18th day of March, 1946.

The By-law was approved by the Governor in Council on the 15th day of April, 1947.

A copy of the By-law is open for inspection, free of charge, during office hours, at the offices of the Council, Pt. Nepean-road, Moorabbin.

Printed copies of the By-law may be obtained upon payment of the sum of One shilling.

WILSON B. THOMAS, Town Clerk.

223

CITY OF MOORABBIN.

BY-LAW No. 102.

A By-law of the City of Moorabbin, made under the provisions of the Uniform Building Regulations (Victoria) and the *Local Government Act* 1928, and numbered 102, for amending By-law No. 101 of the city.

IN pursuance of the powers conferred by the Uniform Building Regulations and the *Local Government Act* 1928, the Mayor, Councillors, and Citizens of the City of Moorabbin order as follows:—

1. This By-law shall be read and construed as one with By-law No. 101 of the City of Moorabbin.

2. The Second Schedule to the said By-law No. 101 is hereby amended by the addition of the following area thereto:—

All that piece of land commencing at the intersection of Point Nepean-road and Bay-road, Cheltenham; thence westerly along the south building line of Bay-road for a distance of 1,046 ft. 8 in. to the Melbourne-Frankston railway; thence south-easterly for a distance of 788 ft. 4 in. along the eastern boundary of the said railway; thence north 0 deg. 3 min. west for a distance of 75 ft. 9½ in.; thence easterly for a distance of 1,016 ft. 5 in. to Point Nepean-road; thence north 38 degrees west along the west building line of Point Nepean-road for a distance of 699 ft. 7 in. to the commencing point.

3. This By-law shall come into operation and have effect immediately on its publication in the *Victoria Government Gazette*.

Resolution for passing this By-law was agreed to by the Council on the 18th day of March, 1946, and confirmed on the 15th day of April, 1946.

The common seal of the Mayor, Councillors, and Citizens of the City of Moorabbin was hereunto affixed this 15th day of April, 1946, in pursuance of a resolution of the Council, and in the presence of—

(SEAL) D. E. BLACKSHAW, Mayor.
E. A. LE PAGE, Councillor.
J. W. ALLNUTT, Councillor.
W. B. THOMAS, Town Clerk.

Approved by the Governor in Council the 15th day of April, 1947.—C. W. KINSMAN, Clerk of the Executive Council. 206

CITY OF MORDIALLOC.

BY-LAW No. 89.

A By-law of the City of Mordialloc, made under the provisions of section 197, sub-section (1), (X.) and (XXIX.), of the *Local Government Act 1928*, and numbered 8, for suppressing nuisances and prohibiting or minimizing noises in public highways, and generally for maintaining the good rule and government of the municipality.

IN pursuance of the powers conferred by the *Local Government Act 1928*, the Mayor, Councillors, and Citizens of the City of Mordialloc order as follows:—

Definitions.

1. In this By-law—

"Apparatus" includes radio apparatus, amplifier, loud speaker, and any other similar appliance or device by which sound is produced or amplified.

"Premises" includes any building and any land.

"Public place" includes any public highway, park, garden, reserve, and other place of public resort.

"Sound" includes voice and music, and also any sound that is produced from any appliance or device by mechanical, electrical, or other means.

Prohibition of Amplifiers, &c., in Public Highways.

2. (1) No person shall in any public highway, without the consent, in writing, of the Council, use or allow to be operated any apparatus by which any sound is produced or amplified.

(2) For the purposes of this clause, an apparatus shall be deemed to be in a public highway if it is in or over the public highway, or is in or upon any vehicle in the public highway.

(3) The Council, in its absolute discretion—

(a) May give its consent, subject to such conditions as it thinks fit, with respect to all or any of the following matters, that is to say:—The quality or degree of amplification or loudness of the sounds produced or amplified by the apparatus, information to be given by the sounds if they are in words, the nature of any music or other sound to be produced or amplified, the times of use or operation of the apparatus, or

(b) May refuse its consent,

to the use or operation, in specified places in public highways, or in specified public highways, or in all public highways within the municipality, of any apparatus for producing or amplifying any sounds, or any sounds which the Council specifies, or sounds of any description which it specifies.

(4) After the Council has given consent, subject to conditions specified by it, to the use or operation of any apparatus, if any person in any public highway uses or allows to be operated that apparatus or any other apparatus without observing all the conditions specified by the Council, he shall be deemed to have used or operated the apparatus without the consent, in writing, of the Council.

Prohibition of Use of Amplifiers, &c., Causing Annoyance in Public Highways.

3. No person shall in any premises abutting on or adjacent to any public highway use or allow to be operated any apparatus by which any sound is produced or amplified that is an annoyance, or causes an annoyance, to persons in the public highway.

Prohibition of Nuisance by Noise in Public Places.

4. (1) This clause shall not apply to the use or operation of apparatus in connexion with any public or patriotic purpose in any park or reserve under the control or management of the Council during any period of time for which the Council has authorized the use of the park or reserve for that purpose.

(2) Subject to sub-clause 1 of this clause, no person shall in any public place, or in any premises abutting on or adjacent to any public place, use or allow to be operated any apparatus in such a way that any sound is produced or amplified by it, so as to be a nuisance to members of the public in the public place.

(3) For the purposes of this clause, an apparatus shall be deemed to be in a public place if it is in or over the public place, or is in or upon any vehicle in the public place.

Consents.

5. Any consent given by the Council for the purposes of any clause of this By-law may be expressed to be limited so as to remain in effect only for a specified time, or only until a notice that it has been withdrawn is served on the person to whom it was given; and any consent, whether expressed to be so limited or not, may be withdrawn by notice served on the person to whom it was given, and after the service of such a notice any person who wilfully allows anything that is prohibited by the clause under which the consent was given shall be deemed to have been guilty of a wilful act or default contrary to that clause as if no consent under that clause had ever been given.

Penalty.

6. (1) Any person who is guilty of any wilful act or default contrary to any of the provisions of this By-law shall be liable, on conviction, to a penalty of not more than £5.

(2) Any person who wilfully continues an offence in respect of a breach of any provision of this By-law, after a conviction or order of the Court in respect of a breach of the same provisions, shall be liable, on conviction, to a further penalty of not more than £1 for each day on which the offence is so continued.

Application.

7. This By-law shall apply to and have operation throughout the whole of the municipal district of the City of Mordialloc.

A resolution adopting the foregoing By-law was passed by the Council on the 31st day of March, 1947, and confirmed on the 28th day of April, 1947.

The common seal of the City of Mordialloc was hereunto affixed on the 28th day of April, 1947, in the presence of—

(SEAL) GEORGE E. H. WOODS, Mayor.
H. C. EDWARDS, Councillor.
E. C. OWBRIDGE, Town Clerk.

BOROUGH OF RINGWOOD.

CHANGE OF NAME OF STREETS.

NOTICE is hereby given that at a meeting of the Council of the Borough of Ringwood held on the 17th April, 1947, it was resolved to change the names of streets in F. A. Salter's subdivision as follows:—

Fairview-avenue to Shasta-avenue, and Woodside-avenue to Talofa-avenue.

SHIRE OF DANDENONG.

BY-LAW No. 89 (RELATING TO MARKETS).

NOTICE is hereby given that By-law No. 89, being a By-law of the Shire of Dandenong, relating to markets, has been made and sealed by the Council.

A true copy of the said By-law is open for inspection, free of charge, during office hours, at the office of the Council, Town Hall, Lonsdale-street, Dandenong.

By order,
R. BOOTH, Shire Secretary.

7th May, 1947.

SUMMARY OF BY-LAW.

(a) Regulating the market and the buildings, stalls, pens, and standings therein, and for preventing nuisances or obstructions therein, or in the immediate approaches thereto.

(b) Fixing the days and the hours during each day on which such market shall be held.

(c) Regulating the carriers resorting to the market.

(d) Preventing the sale or exposure of unwholesome provisions in the market.

(e) Regulating the use of the weighing machines provided by the Council, and for preventing the use of false or defective weights, scales or measures; and

(f) Providing for the proper custody and control of animals in sale yards.

Repeal of By-law No. 67 and every other By-law regulating the market.

Application of By-law to the Dandenong Municipal Market—

Part I.—Interpretation.

Part II.—Hours of opening and closing.

Part III.—Duties of Superintendent and assistants.

Part IV.—General provisions.

Part V.—Sales of live stock.

Part VI.—Sales of pigs, calves, and sheep.

Part VII.—Loading and unloading at ramps.

Part VIII.—Cattle for delivery.

Part IX.—Horse sales.

Part X.—Sales of poultry.

Part XI.—Produce section—occupation of standing places, stalls, shops or enclosed spaces.

Part XII.—Penalties.

Resolution for the passing of this By-law agreed to by the Council on the 31st day of March, 1947, and confirmed the 28th day of April, 1947.

The common seal of the President, Councillors, and Ratepayers of the Shire of Dandenong attached in the presence of—

(SEAL) ANDREW ERICKSEN, Shire President.
J. C. MILLS, Councillor.
W. C. DUNLOP, Councillor.
R. BOOTH, Shire Secretary.

230

NOTICE is hereby given that the partnership heretofore subsisting between Geoffrey Laidlaw White and Charles William Gamble, heretofore carrying on business under the name of White and Gamble, at 25-27 King's-arcade, Armadale, has been dissolved by mutual consent as from the 10th day of April, 1947. All debts due to and owing by the late firm will be received and paid by the said Geoffrey Laidlaw White who will continue to carry on business at the same place.

Dated, at Armadale, the 2nd day of May, 1947.

G. L. WHITE.
C. GAMBLE.

Witness to signatures—F. ORMOND OWEN, solicitor, Melbourne.

Upton, Ettelson, and Owen, solicitors, 395 Collins-street, Melbourne. 276

NOTICE is hereby given that the partnership heretofore subsisting between Lyle James Hutchinson, of 741 Nicholson-street, North Carlton, Ronald Francis Rae, and Kevin John Rae, both of 165 Peel-street, North Melbourne, carrying on business under the style of Hutchinson and Rae, at 741 and 777 Nicholson-street, North Carlton, has been dissolved as from the 28th day of April, 1947, as to the said Kevin John Rae who has retired from the business, the said Lyle James Hutchinson and Ronald Francis Rae will carry on the business under the said business name, to whom all accounts, credits, and correspondence relating to this business should be forwarded.

Dated the 28th day of April, 1947.

L. J. HUTCHINSON.
R. F. RAE.
K. J. RAE.

JAMES HALL & SONS, solicitors, 17 Queen-street, Melbourne. 257

NOTICE is hereby given that the partnership heretofore carried on by Howard Francis Evans and Hector Nelson Battersby, under the style of Universal Metal Spinning Co., at 287 Tooronga-road, Glen Iris, is from this date dissolved by mutual consent. The said Hector Nelson Battersby will continue to carry on the business, and will receive and discharge debts due to and by the late partnership.

Dated this 5th day of May, 1947.

H. F. EVANS.
H. N. BATTERSBY.

Strongman and Crouch, solicitors, of 403 Bourke-street, Melbourne. 274

NOTICE is hereby given that the partnership heretofore subsisting between Frank Arthur Hawley and C. Rushton and Co. Pty. Ltd., carrying on the business of woodworkers, under the name or style of Rushley Wood Products, at 323 Bourke-street, Melbourne, was dissolved and the business ceased as from 1st April, 1947.

C. RUSHTON & CO. PTY. LTD.
G. V. PERRY, Director.

Witness—A. J. LAWTON.

234

NOTICE is hereby given that the partnership heretofore subsisting between the undersigned, Norman William Lawson and Leon Joseph Blitz, carrying on business as manufacturing jewellers, under the name of "Diamex," at 9 Edward-street, Brunswick, has been dissolved by mutual consent as from the 17th day of April, 1947. All debts due to and owing by the late firm will be received and paid by Norman William Lawson, of 9 Edward-street, Brunswick, who will solely carry on the business of the late firm at 9 Edward-street, Brunswick aforesaid.

Dated the 30th day of April, 1947.

L. J. BLITZ.
N. W. LAWSON.

210

NOTICE is hereby given that the partnership heretofore subsisting between Richard George Carmichael, Veronica Ann Cheers, and Maud Laura Armstead, at Sydney-road, Fawkner, in the State of Victoria, under the firm name of "Peerless Iron Foundry," was dissolved on the 22nd day of April, 1947. The said Veronica Ann Cheers and Maud Laura Armstead will continue to carry on the said business.

Dated this 30th day of April, 1947.

M. L. ARMSTEAD.
V. A. CHEERS.

Cleary, Ross, and Doherty, solicitors, 40 Queen-street, Melbourne. 215

The Companies Act.

NILLERA ESTATE PROPRIETARY LIMITED.

AT an Extraordinary General Meeting of the above-named company, duly convened and held at the company's registered office, on Tuesday, the 29th day of April, 1947, the following resolution was duly passed as a special resolution:—

"That the company be wound up voluntarily."

And, at such meeting, John Albert Duggan, of 374 Hargreaves-street, Bendigo, accountant, was appointed liquidator for the purpose of the winding up.

The declaration of solvency, in accordance with the provisions of section 230, was duly filed with the Registrar General on the 1st day of April, 1947.

Dated this 29th day of April, 1947.

218

M. M. JACKSON, Chairman.

ISAAC HARRIS PROPRIETARY LIMITED (IN VOLUNTARY LIQUIDATION).

NOTICE. CONVENING FINAL MEETING, PURSUANT TO SECTION 236.

NOTICE is hereby given, in pursuance of section 236 of the Companies Act 1938, that a General Meeting of the members of the above-named company will be held at 375 Collins-street, Melbourne, on the 6th day of June, 1947, at Twelve o'clock noon, for the purpose of having an account laid before them showing the manner in which the winding up has been conducted and the property of the company disposed of, and of hearing any explanation that may be given by the liquidator.

A. C. LAWSON, Liquidator.

Lawson and Day, chartered accountants (Aust.), 375 Collins-street, Melbourne, C.1. 219

RE WODONGA SPEED COURSING COMPANY
PROPRIETARY LIMITED.

NOTICE is hereby given that, at a duly convened meeting of shareholders of the above-named company, held on 28th April, 1947, it was resolved that the company be wound up voluntarily.

L. J. SHORT, Acting Secretary.

T. & G. Building,
Dean-street, Albury, New South Wales. 229

Companies Act 1938.

ROBERT CORBETT TRADING COMPANY
PROPRIETARY LIMITED.

AT a General Meeting of the members of the above-named company, duly convened and held at the office of the Colonial Sugar Refining Company Limited, 1 O'Connell-street, Sydney, on the 29th day of April, 1947, the following Special Resolution was duly passed:—

"That the company be wound up voluntarily and that Walter William Buck, of 443 Little Collins-street, Melbourne, chartered accountant (Aust.), be appointed liquidator for the purpose of such winding up."

Dated this 29th day of April, 1947.

J. S. ADAMS, Secretary.

Arthur Robinson and Co., 360 Collins-street, Melbourne,
solicitors to the above-named company. 266

Companies Act 1938.

J. H. CHITTICKS BAKERY PTY. LTD. (IN VOL. LIQ.).

NOTICE is hereby given that the creditors of the above-named company are required, on or before the 21st day of May, 1947, to send their names and addresses and the particulars of their debts or claims to me, and if so required by notice in writing from me, are to come in and prove their said debts and claims at such time and place as shall be specified in such notice, or in default thereof they will be excluded from the benefit of any distribution made before such debts are proved.

Dated this 30th day of April, 1947.

R. I. TONKIN, Liquidator.

R. I. Tonkin, chartered accountant (Aust.), 157 Power-street, Hawthorn. 275

In the matter of the Companies Act 1938.

A GENERAL Meeting of shareholders of The Fine Arts Society Pty. Limited (in voluntary liquidation) will be held, pursuant to section 236, at 34 Stanhope-grove, Camberwell, on Thursday, 12th June, 1947, at Four o'clock p.m., for the purpose of laying before the company the account of the liquidation, and giving any explanation thereof.

Dated this 2nd day of May, 1947.

214 ROLYAT V. TAYLOR, Liquidator.

The Companies Act 1938.

LANGTREE FREEHOLDS LIMITED.

AT an Extraordinary General Meeting of the above-named company, duly convened and held at Deakin-avenue, Mildura, on Monday, the 28th day of April, 1947, the following Special Resolution was duly passed:—

"That the company be wound up voluntarily, and that Cyril Joseph Batchelor, chartered accountant (Aust.), be appointed liquidator of the company."

SYKES, CROTHERS, & DUCK, solicitors for the said company. 195

Companies Act 1938.

G. E. S. PTY. LTD.

AT an Extraordinary Meeting of the above-named company, duly convened and held at 238 Dudley-street, West Melbourne, on Wednesday, the 30th April, 1947, the following Resolution was passed as a Special Resolution:—

"That G. E. S. Pty. Ltd. be wound up voluntarily."

And at such last-mentioned meeting Mr. Frederick Clyne, 238 Dudley-street, West Melbourne, was appointed liquidator for the purpose of the winding up.

Dated the 30th April, 1947.

198 V. McGRATH, Chairman.

ALMA ISABELLA WASON, late of Elmore, widow,
DECEASED.

CREDITORS, next of kin, and all other persons having claims against the estate of the deceased are required by Sandhurst and Northern District Trustees, Executors, and Agency Company Limited, of View-street, Bendigo, the executor of the will, to send particulars to it, care of the under-mentioned solicitors, on or before the 7th day of July, after which date the company will distribute the assets, having regard only to the claims of which they shall then have notice.

Dated this 7th day of May, 1947.

T. M. WILLIAMS, WATSON, & JAMES, solicitors, 16 View-street, Bendigo. 194

CREDITORS, next of kin, and others having claims in respect of the estate of Benjamin Hadfield, formerly of 128 Plenty-road, Preston, in Victoria, but late of "Sunset" Old Men's Home, Nedlands, in Western Australia, of no occupation, deceased (who died on the 9th day of July, 1946), are requested by George William Hadfield, of 14 Rupert-street, East Brunswick, Victoria, manufacturer, the executor of the will of the deceased, to send particulars to him, care of the undersigned solicitors, on or before the 3rd day of July, 1946, after which date he will distribute the assets, having regard only to the claims of which he then has notice.

McLAUGHLIN, EAVES, & JOHNSTON, solicitors, 343 Little Collins-street, Melbourne. 207

CREDITORS, next of kin, and others having claims in respect of the estate of Eliza Maude Pearce, late of 4 Drake-street, Elwood, married woman, deceased (who died on the 16th day of February, 1947), are to send particulars of their claims to The Equity Trustees, Executors, and Agency Company Limited, of 472 Bourke-street, Melbourne, by 10th July, 1947, after which date the executors of the estate (the said company and Sir George Foster Pearce, of 4 Drake-street, Elwood, gentleman), will distribute the assets, having regard only to the claims of which they then have notice.

EGGLESTON, EGGLESTON, & LEE, of 143 Queen-street, Melbourne, solicitors. 208

CREDITORS, next of kin, and others having claims in respect of the estate of Thomas Alfred Clark, formerly of 4 Banole-avenue, East Prahran, but late of 49 Grenville-street, Prahran, brush maker, deceased (who died on the 5th day of January, 1947), are to send particulars of their claims to The Equity Trustees, Executors, and Agency Company Limited, of 472 Bourke-street, Melbourne, by 10th July, 1947, after which date it will distribute the assets, having regard only to the claims of which it then has notice.

EGGLESTON, EGGLESTON, & LEE, of 143 Queen-street, Melbourne, solicitors. 209

THE PERPETUAL EXECUTORS AND TRUSTEES ASSOCIATION OF AUSTRALIA LIMITED, whose registered office is situate at Nos. 100-104 Queen-street, Melbourne, in the State of Victoria, the administrator of the estate of George Thomas Reilly, late of Benalla, farmer (who died on the 6th day of March, 1947), require all creditors, next of kin, and others having claims against the property or estate of the said deceased to send to the said association on or before the 7th day of July, 1947, particulars, in writing, of such claims, after which date the said association intends to convey or distribute such property or estate to or among the persons entitled thereto, having regard only to the claims of which it shall have had notice.

Dated the 30th day of April, 1947.

HAMILTON, CLARKE, & CLARKE, solicitors, Nunn-street, Benalla, proctors for the said association. 203

THE PERPETUAL EXECUTORS AND TRUSTEES ASSOCIATION OF AUSTRALIA LIMITED, whose registered office is situate at Nos. 100-104 Queen-street, Melbourne, in the State of Victoria, the administrator of the estate of Charles Vincent Sullivan, late of Benalla, builder's labourer (who died on the 22nd day of September, 1946), require all creditors, next of kin, and others having claims against the property or estate of the said deceased to send to the said association, on or before 7th day of July, 1947, particulars, in writing, of such claims, after which date the said association intends to convey or distribute such property or estate to or among the persons entitled thereto, having regard only to the claims of which it shall have had notice.

Dated the 30th day of April, 1947.

HAMILTON, CLARKE, & CLARKE, solicitors, Nunn-street, Benalla, proctors for the said association. 204

Trustee Act 1928.

NOTICE TO CLAIMANTS.

PURSUANT to the *Trustee Act 1928*, creditors, next of kin, and all other persons having claims in respect of the estate of any deceased person named below are required to send particulars thereof to the legal personal representative or representatives at the address stated below, on or before the date stated, after which date the representative or representatives will distribute the assets, having regard only to the claims of which notice has been received:—

Margaret Elizabeth English, late of "Douglas House," Gipps-street, Port Fairy, widow, died 14th February, 1947.—Claims to Henry Douglas English, formerly of Gipps-street, Port Fairy, but now of Charles-street, Maffra, engineer, and Ruth Marion Norris, of Gipps-street, Port Fairy, married woman (formerly Ruth Marian English, of same address, spinster), the executor and executrix respectively, care of Peter P. Conlan, solicitor, Bank-street, Port Fairy, by the 10th July, 1947. 192

Walter Robb Barbour, late of Powlett Plains, Victoria, farmer, deceased, intestate, who died on the 8th day of June, 1946.—Claims to the administrator, Walter Charlton Barbour, of Powlett Plains aforesaid, farmer, in care of the undersigned solicitors, on or before the 7th day of July, 1947. Tatchell, Dunlop, Smalley, and Balmer, solicitors, Bendigo and Inglewood. 201

John Stuart Smith, formerly of 12 Torphichen-street, Edinburgh, Scotland, and The Athenaeum Club, Melbourne, in the State of Victoria, but late of The Royal Automobile Club, London, England, retired company director, deceased, who died on the 15th November, 1944.—Claims to Haddon Aubrey Smith, chartered accountant, and Paul Bothwell Osborn McCutcheon, solicitor, the attorneys under power of the Scottish executors, care of W. B. and O. McCutcheon, 31 Queen-street, Melbourne, solicitors for the said attorneys, by the 9th day of July, 1947. 216

Mary Moloney, late of Koroit, spinster, died 3rd March, 1947.—Claims to the executors, Leonard Patrick Moloney, of Birregurra, and Martin Joseph Bourke, of Koroit, town clerk, care of Peter P. Conlan, solicitor, Bank-street, Port Fairy, by 10th July, 1947. 224

William Bache (sometimes spelt Bach), late of Dimboola, retired storekeeper, died 2nd October, 1946.—Claims to the executor, The Trustees, Executors, and Agency Company Limited, of 401 Collins-street, Melbourne, by 8th day of July, 1947. Miller and Tartakover, solicitors, Dimboola. 233

NOTICE TO CREDITORS AND OTHERS.

PURSUANT to the *Trustee Act 1928*, notice is hereby given that all persons having claims against the estate of Harry Clifton, late of 6 College-street, Gardenvale, in the State of Victoria, retired salesman, deceased (who died on the 26th day of January, 1947, probate of whose will was granted by the Supreme Court of Victoria, in its probate jurisdiction, on the 17th day of March, 1947, to Frederick George Clifton, of 6 College-street, Gardenvale aforesaid, shop assistant, and The Equity Trustees, Executors, and Agency Company Limited, of 472 Bourke-street, Melbourne, in the said State, the executors named in the said will), are hereby required to send particulars, in writing, of such claims to the said executors, care of Messrs. Hodgson and Finlayson, solicitors, 360 Collins-street, Melbourne, in the said State, on or before the 15th day of July, 1947, after which date the said executors intend to convey or distribute the assets of the said deceased to or amongst the persons entitled thereto, having regard only to the claims of which they shall then have had notice, and further that the said executors will not be liable for the assets so conveyed or distributed, or any part thereof, to any persons of whose claims they shall not have had notice as aforesaid.

Dated the 5th day of May, 1947.

HODGSON & FINLAYSON, 360 Collins-street, Melbourne, solicitors for the said executors. 235

CREDITORS, next of kin, and others having claims in respect of the estate of George Bray, late of Majestic Mansions, Fitzroy-street, St. Kilda, in the State of Victoria, gentleman, deceased (who died on the 8th day of February, 1947), are to send particulars of their claims to The Trustees, Executors, and Agency Company Limited, of 401 Collins-street, Melbourne, in the said State, by the 14th day of July, 1947, after which it will distribute the assets, having regard only to the claims of which it then has notice.

HODGSON & FINLAYSON, 360 Collins-street, Melbourne, solicitors for the above-named company. 236

NOTICE TO CREDITORS AND OTHERS.

PURSUANT to the *Trustee Act 1928*, notice is hereby given that all persons having claims against the estate of Betsy Maria Dunn, late of "Ascot," Yacht-street, Mornington, in the State of Victoria, widow, deceased (who died on the 27th day of June, 1943, and probate of whose will was granted by the Supreme Court of the State of Victoria, in its probate jurisdiction, on the 1st day of May, 1947, to Edward John Hannaker, of 108 Queen-street, Melbourne, in the State of Victoria, chartered accountant, the executor named in and appointed by the said will), are hereby required to send particulars, in writing, of such claims to the said Edward John Hannaker, at the office of his under-mentioned solicitors, on or before the 16th day of July, 1947; and notice is hereby also given that after the last-mentioned date the said Edward John Hannaker will proceed to distribute the assets of the said Betsy Maria Dunn, deceased, amongst the persons entitled thereto, having regard only to the claims of which he shall then have had notice, and the said Edward John Hannaker will not be liable for the assets, or any part thereof, so distributed to any person of whose claim he shall not then have had notice.

Dated the 5th day of May, 1947.

A. L. C. FLINT & MARRIE, of 90 Queen-street, Melbourne, solicitors for the applicant. 237

CREDITORS, next of kin, and all other persons having claims in respect of the estate of the deceased person named below are required to send particulars to the legal personal representative, at the address stated, on or before the 17th day of July, 1947, after which date the representative will distribute the assets, having regard only to the claims of which notice has then been received:—

John Britt, formerly of 146 Hyde-street, Yarraville, but late of 79 Abbotsford-street, North Melbourne, driver, deceased, who died 2nd August, 1946.—Claims to the executor, Charles Henry Britt, of 57 Simpson-street, Yarraville, railway employee, care of J. F. Hogan, solicitor, 33 Anderson-street, Yarraville. 238

CREDITORS, next of kin, and others having claims in respect of the estate of Edward James Corcoran, late of Tarraville, farmer, deceased, intestate (who died on the 23rd day of December, 1946), are to send particulars of their claims to Honour Ann Darragh, of Tarraville, married woman, by the 12th day of July, 1947, after which date she will distribute the assets, having regard only to the claims of which she then has notice.

SKINNER & HART, solicitors, Yarram. 239

PURSUANT to the *Trustee Act 1928*, notice is hereby given that all persons having claims against the estate of Amedeo Stazonelli, late of Kyabram, in the State of Victoria, wine cafe proprietor, deceased (who died on the 26th day of June, 1946, and probate of whose will was granted by the Supreme Court of the State of Victoria, in its probate jurisdiction, on the 21st day of November, 1946, to the Ballarat Trustees, Executors, and Agency Company Limited, of 101 Lydiard-street north, Ballarat, in the said State, and George Sinnott, of Kyabram aforesaid, master butcher, the executors named in and appointed by the said will), are hereby required to send particulars, in writing, of such claims to the undersigned, at their office hereunder mentioned, on or before the 22nd day of July, 1947, after which date the said executors will proceed to distribute the assets of the said Amedeo Stazonelli, deceased, which shall have come to their hands amongst the persons entitled thereto, having regard only to the claims of which they shall have notice; and notice is hereby given that the said executors will not be liable for the assets so distributed, or any part thereof, to any person of whose claim they shall not have had notice as aforesaid.

Dated this 2nd day of May, 1947.

DAWES & VARY, Allan-street, Kyabram proctors for the said executors. 240

PERCIVAL CHARLES RAMSAY, DECEASED.

CREDITORS, next of kin, and others having claims in respect of the estate of Percival Charles Ramsay late of 10 Tennyson-street, Moonee Ponds, pensioner, deceased, intestate (who died on the 14th day of August, 1946), are to send particulars of their claims to National Trustees, Executors and Agency Company of Australasia Limited, whose registered office is situate at 95 Queen-street, Melbourne, by the 9th day of July, 1947, after which date it will distribute the assets, having regard only to the claims of which it then has notice.

WM. BROCKET, solicitor, 108 Queen-street, Melbourne. 242

JEAN GLADYS BROWN, formerly of 17 Menzies-avenue, Brighton, in the State of Victoria, but late of 267 Williams-road, South Yarra, in the said State, spinster, DECEASED.

CREDITORS, next of kin, and all other persons having claims against the estate of the deceased are required by the executors of the will, John Noel Brown, of Albury, in the State of New South Wales, medical practitioner, John Stanley Coltman, of 456 Little Collins-street, Melbourne, in the State of Victoria, solicitor, and Allan Simpson, of 30 Errol-street, North Melbourne, in the State of Victoria, estate agent, to send particulars to them, care of the undersigned, on or before the 10th day of July, 1947, after which date they will distribute the assets, having regard only to the claims of which they then have notice.

HERMAN & COLTMAN, solicitors, 456 Little Collins-street, Melbourne. 243

CHARLES STANLEY FORD, late of Bulla-road, North Essendon, in the State of Victoria, service station and cafe proprietor, DECEASED, intestate.

CREDITORS, next of kin, and all other persons having claims against the estate of the deceased are required by the administrator of the estate, The Equity Trustees, Executors, and Agency Company Limited, of 472 Bourke-street, Melbourne, in the said State, to send particulars to it, at its said address, on or before the 10th day of July, 1947, after which date it will then distribute the assets, having regard only to the claims of which it then has notice.

HERMAN & COLTMAN, solicitors, 456 Little Collins-street, Melbourne. 244

HELEN WILLHELMINIE HILL, late of Park-street, Moonee Ponds, in the State of Victoria, widow, DECEASED (who died on 6th day of November, 1946).

CREDITORS, next of kin, and all other persons having claims against the estate of the above-named Helen Willhelminie Hill, deceased, are required by The Equity Trustees, Executors, and Agency Company Limited, the executor to whom probate of the will of the above-named deceased was granted on the 15th day of April, 1947, to send particulars of their claims to the said executor, at the registered office of the said company, at 472 Bourke-street, Melbourne, on or before the 12th day of July, 1947, after which date the said executor will distribute the assets of the said deceased among the persons entitled thereto, having regard only to the claims of which it then has notice, and it will not be liable to any persons of whose claim it has not then received notice.

McNAB & McNAB, 422 Collins-street, Melbourne, and at Whittlesea and Sunbury, proctors for the said executor. 245

ELLEN MARY SHANAHAN, late of 33 Alexandra-avenue, Canterbury, in the State of Victoria, widow, DECEASED (who died on the 9th day of January, 1947).

CREDITORS, next of kin, and all other persons having claims against the estate of the above-named Ellen Mary Shanahan, deceased, are required by The Trustees, Executors, and Agency Company Limited, the executor to whom probate of the will and two codicils thereto of the above-named deceased was granted on the 28th day of April, 1947, to send particulars of their claims to the said executor, at the registered office of the said company, at 401 Collins-street, Melbourne, on or before the 12th day of July, 1947, after which date the said executor will distribute the assets of the said deceased among the persons entitled thereto, having regard only to the claims of which it then has notice, and it will not be liable to any persons of whose claim it has not then received notice.

McNAB & McNAE, 422 Collins-street, Melbourne, and at Whittlesea and Sunbury, proctors for the said executor. 246

CREDITORS, next of kin, and all other persons having claims in respect of the estate of George Burns, late of Limoru, in the Colony of Kenya, archdeacon (who died on the 1st day of August, 1944), are to send particulars of their claims to Herbert Maxwell Arrowsmith, of 86 Clendon-road, Toorak, clerk in Holy Orders, by the 14th day of July, 1947, after which date he will distribute the assets, having regard only to the claims of which he then has notice.

A'BECKETT, CHOMLEY, & HENDERSON, 349 Collins-street, Melbourne, solicitors. 248

ALBERT SHRADER, late of 42 Hodgkinson-street, Clifton Hill, in the State of Victoria, retired council employee, DECEASED (who died on 15th day of March, 1947).

CREDITORS, next of kin, and all other persons having claims against the estate of the above-named Albert Shrader, deceased, are required by Reginald Hugh Shrader, of 65 Blessington-street, St. Kilda, in the State of Victoria, manufacturer's agent, the executor to whom probate of the will of the above-named deceased was granted on the 28th day of April, 1947, to send particulars of their claims to the said executor, care of the undersigned solicitors, on or before the 12th day of July, 1947, after which date he will distribute the assets of the said deceased among the persons entitled thereto, having regard only to the claims of which he then shall have notice, and he will not be liable to any person of whose claim he has not then received notice.

McNAB & McNAB, 422 Collins-street, Melbourne, and at Whittlesea and Sunbury, solicitors for the said executor. 247

PURSUANT to the *Trustee Act* 1928, all persons having claims against the property or estate of Henry Foster, late of Merton Vale, near Campbell Town, in Tasmania, pastoralist, deceased (who died on the 28th day of March, 1944, and probate of whose will (as contained in an exemplification of probate issued out of the Supreme Court of Tasmania) was granted by the Supreme Court of Victoria, on the 10th day of April, 1947, to Blanche Laura Foster, widow, and Jeanne Blanche Foster and Edith Florence Foster, spinsters, all of Merton Vale, near Campbell Town, in Tasmania, the executrices named in and appointed by the said will), are hereby required to send particulars of such claims to the said executrices, addressed to the care of Messieurs Blake and Riggall, 120 William-street, Melbourne, solicitors, on or before the 9th day of July, 1947, after the expiration of which time the said executrices will proceed to distribute the assets of the said deceased amongst the persons entitled thereto, having regard only to the claims of which they shall have had notice.

Dated this 5th day of May, 1947.

BLAKE & RIGGALL, 120 William-street, Melbourne, solicitors for the said executrices. 252

CREDITORS, next of kin, and others having claims in respect of the estate of Louisa Latty, late of 8 Nairn-street, East Malvern, spinster, deceased (who died on the 25th day of November, 1946), are to send particulars of their claims to The Perpetual Executors and Trustees Association of Australia Limited, of 100-104 Queen-street, Melbourne, by the 16th day of July, 1947, after which date it will distribute the assets, having regard only to the claims of which it then has notice.

HENDERSON & BALL, solicitors, 430 Little Collins-street, Melbourne. 256

PURSUANT to the provisions of the *Trustee Act* 1928, notice is hereby given that all persons having claims against the estate of Helen Marchmont Douglas, late of "The Royal Court Hotel," Sloane-square, London, England, spinster, deceased (who died on the 2nd October, 1946, and probate of a copy of whose will as contained in a certified sealed copy of the probate thereof, granted by His Majesty's High Court of Justice, the Principal Probate Registry, England, on the 30th December, 1946, to Douglas Foster Hollins, of 1 Royal Exchange-avenue, in the City of London, England, member of the London Stock Exchange, and Cecil Burton, of 25 Palace-street, in the City of Westminster, England, solicitor, was granted by the Supreme Court of Victoria to Tom Compson Trumble and Roy James McArthur, both of 46 Queen-street, Melbourne, in the State of Victoria, solicitors, on the 2nd day of May, 1947, in respect of the property of the said deceased situate in Australia), are hereby required to send particulars, in writing, of such claims to the said Tom Compson Trumble and Roy James McArthur, to care of Malleison, Stewart, and Company, at the address below, on or before the 15th day of July, 1947, after which date the said Tom Compson Trumble and Roy James McArthur will proceed to convey or distribute the Australian estate of the said deceased to or among the persons entitled thereto, having regard only to the claims, whether formal or not, of which they shall then have had notice, and will not be liable for the assets so distributed to any person of whose claim they shall not then have had notice.

MALLEISON, STEWART, & CO., solicitors, 46 Queen-street, Melbourne. 261

NOTICE is hereby given that all persons having claims against the estate of Maximilian Richard Joseph Puls, late of 10 Brough-street, McKinnon, Victoria, retired civil servant, deceased (who died on the 15th March, 1947, and probate of whose will was, on the 24th April, 1947, granted by the Supreme Court of Victoria to Marie Elizabeth Clough, of 422 Lower Heidelberg-road, Heidelberg, Victoria, married woman, the executrix appointed thereby), are hereby required to send particulars, in writing, of such claims to the said Marie Elizabeth Clough, to care of Malleon, Stewart, and Company, at the address below, on or before the 15th July, 1947, after which date the said executrix will proceed to convey or distribute the said estate to or among the persons entitled thereto, having regard only to the claims, whether formal or not, of which she shall then have had notice, and will not be liable for the assets so distributed to any person of whose claim she shall not then have had notice.

MALLESON, STEWART, & CO., solicitors, 46 Queen-street, Melbourne. 262

CREDITORS, next of kin, and others having claims in respect of the estate of Marian Elizabeth Eagerty, late of 5 Fairview-grove, East Malvern, in the State of Victoria, widow (who died on the 25th day of December, 1946), are to send the particulars of their claims to the National Trustees, Executors, and Agency Company of Australasia Limited, the registered office of which is situated at No. 95 Queen-street, Melbourne, in the said State, by the 16th day of July, 1947, after which date it will distribute the assets, having regard only to the claims of which it then has notice.

Dated this 2nd day of May, 1947.

MAHONY, O'BRIEN, & DUGGAN, solicitors, 20 Queen-street, Melbourne (agents for Messrs. Dillon, Nicholls, and Stark, on war service). 263

NOTICE TO CLAIMANTS.

THE PERPETUAL EXECUTORS AND TRUSTEES ASSOCIATION OF AUSTRALIA LIMITED, whose registered office is situated at Nos. 100-104 Queen-street, Melbourne, in the State of Victoria, and Gustave Anthony Disney Daly, of 15 Irilbarra-road, Canterbury, in the said State, the executors of the will of Florence Eleanor Catherine Daly, late of 15 Irilbarra-road, Canterbury, in the said State, widow, deceased (who died on the 27th day of July, 1946), require all creditors, next of kin, and others having claims against the property or estate of the said deceased to send to the said executors, in the care of the said association, on or before the 16th day of July, 1947, particulars, in writing, of such claims, after which date the said executors intend to convey or distribute such property or estate to or among the persons entitled thereto, having regard only to the claims of which they shall have had notice.

PURVES & PURVES, 448 Collins-street, Melbourne, solicitors. 265

PURSUANT to the *Trustee Act* 1928, notice is hereby given that all creditors and any persons having any claims or demands upon or against the estate of Walter Drabble, late of 62 Stirling Highway, Nedlands, in the State of Western Australia, retired merchant, deceased (who died on the 13th day of March, 1946, and an exemplification of probate of whose will was sealed by the Supreme Court of the State of Victoria, in its probate jurisdiction, on the 29th day of April, 1947, on the application of The Trustees, Executors, and Agency Company Limited, whose registered office is situated at number 401 Collins-street, Melbourne, in Victoria, the duly constituted attorney of the executors named in the said will), are hereby required to send particulars, in writing, of such claims or demands to the said The Trustees, Executors, and Agency Company Limited, at its registered office hereinbefore mentioned, on or before the 9th day of July, 1947, after which date the said company will proceed to distribute the assets in Victoria of the said Walter Drabble, deceased, which shall have come to its hands amongst the persons entitled thereto, having regard only to the claims of which it shall then have had notice. And notice is hereby further given that the said company will not be liable for the assets so distributed, or any part thereof, to any person of whose debt or claim it shall not have had notice as aforesaid.

RIGBY & FIELDING, solicitors, of 60 Market-street, Melbourne. 267

PURSUANT to the *Trustee Act* 1928, notice is hereby given that all creditors and any persons having any claims or demands upon or against the estate of Henry Byatt, late of 10 McKenzie-street, Wembley, in the State of Western Australia, superintendent of works, deceased (who died on the 18th day of December, 1945, and an exemplification of probate of whose will was sealed by the Supreme Court of the State of Victoria, in its probate jurisdiction, on the 11th day of March, 1947, on the application of The Trustees, Executors, and Agency Company Limited, whose registered office is situated at number 401 Collins-street, Melbourne, in Victoria, the duly constituted attorney of The West Australian Trustee, Executor, and Agency Company Limited, of 135 St. George's-terrace, Perth, in Western Australia, the executor named in the said will), are hereby required to send particulars, in writing, of such claims or demands to the said The Trustees, Executors, and Agency Company Limited, at its registered office hereinbefore mentioned, on or before the 10th day of July, 1947, after which date the said last-mentioned company will proceed to distribute the assets in Victoria of the said Henry Byatt, deceased, which shall have come to its hands amongst the persons entitled thereto, having regard only to the claims of which it shall then have had notice. And notice is hereby further given that the last-mentioned company will not be liable for the assets so distributed, or any part thereof, to any person of whose debt or claim it shall not have had notice as aforesaid.

RIGBY & FIELDING, solicitors, of 60 Market-street, Melbourne. 268

STEPHEN MARGRETT, formerly of "Cotswold," 3 Macquarie-road, Toorak, but late of 24 Grosvenor-street, Moonee Ponds, in Victoria, retired horse exporter (who died on 26th September, 1946).

CREDITORS, next of kin, and all other persons having claims against the deceased or his estate are required by the executor of his will, The Union Trustee Company of Australia Limited, the registered office of which is situate at 333 Collins-street, Melbourne, in Victoria, to send written particulars to the said company, on or before the 16th day of July, 1947, after which date the said company will distribute the assets, having regard only to the claims of which it has then had such notice.

RODDA, BALLARD, & VROLAND, solicitors, 430 Little Collins-street, Melbourne. 264

CREDITORS, next of kin, and others having claims in respect of the estate of Eva Lilian Brooks, formerly of Number 22 Staniland-grove, Elsternwick, in the State of Victoria, but late of "Hoorana," 3 Gladstone-parade, Elsternwick, in the said State, spinster, deceased (who died on the 2nd day of January, 1947), are to send the particulars of their claims to The Trustees, Executors, and Agency Company Limited, of 401 Collins-street, Melbourne, in the State of Victoria, by the 5th day of July, 1947, after which date it will distribute the assets, having regard only to the claims of which it then has notice.

Dated this 1st day of May, 1947.

WILLAN & COLLES, of 100-104 Queen-street, Melbourne, proctors for the said company. 211

CREDITORS, next of kin, and others having claims in respect of the estate of Alice Currie, late of 51 Mathoura-road, Toorak, spinster (who died on the 21st January, 1947), are to send particulars of their claims to The Trustees, Executors, and Agency Company Limited, 401 Collins-street, Melbourne, by the 10th July, 1947, after which date it will distribute the assets, having regard only to the claims of which it then has notice.

RUSSELL, KENNEDY, & COOK, solicitors, 401 Collins-street, Melbourne. 212

RE THOMAS ROGERSON, DECEASED.

PURSUANT to the *Trustee Act* 1928, notice is hereby given that all creditors, next of kin, and other persons having claims against the estate of Thomas Rogerson, late of Seymour, in the State of Victoria, retired railway employee, deceased (who died on the 16th day of December, 1946, and probate of whose will was granted by the Supreme Court of the said State, on the 4th day of February, 1947, to Cecil Victor Thomas Rogerson, of 131 North-street, Preston, warehouse employee), are hereby required to send particulars of such claims to the said executor, in care of the undersigned, at his address hereunder set out, on or before the 15th day of July, 1947, after which date the said executor will proceed to distribute the assets of the said deceased amongst the persons entitled thereto, having regard only to the claims of which he shall then have had notice.

W. J. OSBORNE, LL.B., solicitor, Station-street, Seymour. 217

CREDITORS, next of kin, and others having any claims in respect of the estate of Thomas McNamara, late of Pine Lake near Horsham, in Victoria, labourer, deceased, intestate (who died on the 7th day of October, 1946), are to send in particulars of their claims to The Equity Trustees, Executors, and Agency Company Limited, of No. 472 Bourke-street, Melbourne, by the 15th day of July, 1947, after which date it, the said Company, will distribute the assets, having regard only to the claims of which it then has notice.

Dated this 22nd day of April, 1947.

R. C. BIESKE, Horsham, solicitor for the administrator.

232

NOTICE is hereby given pursuant to the *Trustee Act 1928*, that all persons having claims against the estate of Alicia Venetta Himing, late of 64 Horace-street, Malvern, in the State of Victoria, widow, deceased (who died on the 16th day of January, 1947, and probate of whose will was granted on the 28th day of April, 1947, to Stanley Wilkinson Misson, of 59 Waverley-road, East Malvern, in the said State, solicitor, the executor named in the said will, are hereby requested to send particulars of such claims to the said executor, on or before the 9th day of July, 1947, after the expiration of which time the executor will proceed to distribute the assets of the said deceased amongst the persons entitled thereto, having regard only to claims of which he shall have had notice.

Dated this 5th day of May, 1947.

STANLEY W. MISSON, solicitor, 59 Waverley-road, East Malvern.

225

NOTICE is hereby given pursuant to the *Trustee Act 1928*, that all persons having claims against the estate of Mabel Edith White, late of 23 Warley-road, East Malvern, in the State of Victoria, widow, deceased (who died on the 14th day of February, 1947, and probate of whose will was granted on the 22nd day of April, 1947, to Percy James Oliver, of 243 Grange-road, Ormond, in the said State, company secretary, the executor named in the said will), are hereby requested to send particulars of such claims to the said executor, in care of the undersigned, Stanley W. Misson, on or before the 9th day of July, 1947, after the expiration of which time the executor will proceed to distribute the assets of the said deceased amongst the persons entitled thereto, having regard only to claims of which he shall have had notice.

Dated this 3rd day of May, 1947.

STANLEY W. MISSON, 59 Waverley-road, East Malvern, solicitor for the executor.

227

NOTICE is hereby given pursuant to the *Trustee Act 1928*, that all persons having claims against the estate of Johanna Glover (in her will also called Johannah Glover), late of Lang Lang, in the State of Victoria, widow, deceased (who died on the 1st day of February, 1947, and probate of whose will was granted on the 22nd day of April, 1947, to Herbert Claude Glover, of Lang Lang, grazier, and Leslie Robert Smethurst, of Athlone, farmer, both in the said State, the executors named in the said will), are hereby requested to send particulars of such claims to the said executors, in care of the under-signed Stanley W. Misson, on or before the 9th day of July, 1947, after the expiration of which time the executors will proceed to distribute the assets of the said deceased amongst the persons entitled thereto, having regard only to claims of which they shall have had notice.

Dated this 3rd day of May, 1947.

STANLEY W. MISSON, 59 Waverley-road, East Malvern, solicitor for the said executors.

228

NOTICE TO CLAIMANTS.

THE PERPETUAL EXECUTORS AND TRUSTEES ASSOCIATION OF AUSTRALIA LIMITED, whose registered office is situate at Nos. 100-104 Queen-street, Melbourne, in the State of Victoria, and Grace Gwendoline Bethia Foott, of "Ball Green," Turrumurra, in the State of New South Wales, the executors of the will of Elsie Margaret Traill, late of 21 Bay-street, Brighton, in the State of Victoria, gentlewoman, deceased (who died on the 9th day of December, 1946), requires all creditors, next of kin, and others having claims against the property or estate of the said deceased to send to the said executors, in the care of the association, on or before the 15th day of July, 1947, particulars, in writing, of such claims, after which date the said executors intend to convey or distribute such property or estate to or among the persons entitled thereto, having regard only to the claims of which they shall have had notice.

Dated this 29th day of April, 1947.

BOOTHBY & BOOTHBY, solicitors for the executors.

231

CREDITORS, next of kin, and others having claims in respect of the estate of Catherine Theresa Atkins, late of 21 Laura-street, Moonee Ponds, widow (who died on the 26th December, 1946), are to send particulars of their claims to The Equity Trustees, Executors, and Agency Company Limited, at its registered office, 472 Bourke-street, Melbourne, by the 8th day of July, 1947, after which date it will distribute the assets, having regard only to the claims of which it then has notice.

C. M. DWYER, solicitor, 100 Queen-street, Melbourne.

213

MINING NOTICES.

AJAX SOUTH GOLD MINE N. L.

NOTICE is hereby given that a Call (the 20th) of Three pence per share (making shares 6s. paid up), has been made upon the capital of the company, due and payable at the registered office of the company, 430 Little Collins-street, Melbourne, on Wednesday, the 14th day of May, 1947.

By order of the Board,

260

A. E. LLEWELLYN, Manager.

CHEWTON GOLD MINES N. L.

NOTICE is hereby given that a Call (the 65th) of Three pence per share (making shares 18s. 3d. paid up) has been made upon the capital of the company, due and payable at the registered office of the company, 430 Little Collins-street, Melbourne, on Wednesday, the 14th day of May, 1947.

By order of the Board,

259

A. E. LLEWELLYN, Manager.

DEBORAH ASSOCIATED NO LIABILITY.

CALL NOTICE.

NOTICE is hereby given that a Call (No. 16) of Three pence per share (making shares paid up to 7s. 11d.) has been made, and is due and payable to me at the registered office, 422 Collins-street, Melbourne, on Wednesday, 14th May, 1947.

By order of the Board,

FRANK COOPER, Manager.

422 Collins-street, Melbourne, C.1.

EAST CLARENCE GOLD MINING COMPANY NO LIABILITY.

NOTICE—A Call (the 53rd) of Three pence per share has been made on the capital of this company, due and payable at the company's office, Charing Cross, Bendigo, on Wednesday, 14th May, 1947.

J. J. STANISTREET

205 (McCoil, Rankin, and Stanistreet), Manager.

HERCULES GOLD MINING COMPANY NO LIABILITY.

A CALL (the 56th) of Three pence per share has been made on the capital of the company (making the shares paid to Sixteen shillings and six pence each), due and payable at the company's registered office, 379 Collins-street, Melbourne, on Wednesday, 14th May, 1947.

H. L. STEWART

269 (J. G. Stanfield and Stewart), Manager.

HUNT'S CONSOLIDATED GOLD MINES NO LIABILITY.

NOTICE—A Call (the 4th) of One shilling per share has been made on the capital of this company, due and payable at the company's office, 116 Queen-street, Melbourne, on Wednesday, 14th May, 1947.

W. J. PALMER, Legal Manager.

IRONBARK GOLD MINING COMPANY NO LIABILITY.

A CALL (the 104th) of Three pence per share has been made on the capital of the company (making the shares paid to Twenty-seven shillings each), due and payable at the company's registered office, 379 Collins-street, Melbourne, on Wednesday, 14th May, 1947.

H. L. STEWART

270 (J. G. Stanfield and Stewart), Manager.

IRONBARK SOUTH GOLD MINING COMPANY NO LIABILITY.

A CALL (the 84th) of Three pence per share has been made on the capital of the company (making the shares paid to Twenty-four shillings and six pence each), due and payable at the company's registered office, 379 Collins-street, Melbourne, on Wednesday, 14th May, 1947.

H. L. STEWART

271 (J. G. Stanfield and Stewart), Manager.

MAXWELL CONSOLIDATED NO LIABILITY.

NOTICE is hereby given that a Call (the 36th) of Three pence (3d.) per share on all the issued contributing shares in the capital of the company (making 4s. 0d. paid up) has been made, due and payable at the registered office of the company, 360 Collins-street, Melbourne, on Wednesday, 14th May, 1947.

By order of the Board,
HADDON A. SMITH, Legal Manager.
Melbourne, 5th May, 1947. 255

NEW BUTLER'S TIN MINES NO LIABILITY.

CALL NOTICE.

NOTICE is hereby given that a Call (No. 17) of Three pence per share (making shares paid up to 9s. 6d.) has been made, and is due and payable to me at the registered office, 422 Collins-street, Melbourne, on Wednesday, 14th May, 1947.

By order of the Board,
FRANK COOPER, Manager.
422 Collins-street, Melbourne, C.1. 254

NEW CHUM SYNCLINE GOLD MINE NO LIABILITY.

CALL NOTICE.

NOTICE is hereby given that a Call (No. 83) of Three pence per share (making shares paid up to 26s. 6d.) has been made, and is due and payable to me at the registered office, 422 Collins-street, Melbourne, on Wednesday, 14th May, 1947.

By order of the Board,
FRANK COOPER, Manager.
422 Collins-street, Melbourne, C.1. 251

NEW STAR OF THE WEST GOLD MINES
NO LIABILITY.

NOTICE is hereby given that a Call (the 47th) of One penny per share (making shares 7s. 11d. paid up) has been made upon the capital of the company, due and payable at the registered office of the company, 430 Little Collins-street, Melbourne, on Wednesday, the 14th day of May, 1947.

By order of the Board,
A. E. LEWELLYN, Manager.
258

SOUTH VIRGINIA GOLD MINING COMPANY
NO LIABILITY.

NOTICE is hereby given that a Call (the 25th) of Three pence per share has been made upon all the shares in the company, due and payable to the manager, at the registered office, 140 Queen-street, Melbourne, on Wednesday, 14th May, 1947.

272 F. L. SMYTH, Manager.

SOUTH VIRGINIA EXTENDED MINES NO LIABILITY.

NOTICE is hereby given that a Call (the 10th) of Two pence per share has been made upon all the shares in the company, due and payable to the manager, at the registered office, 140 Queen-street, Melbourne, on Wednesday, 14th May, 1947.

273 F. L. SMYTH, Manager.

NEW CHUM SYNCLINE GOLD MINE NO LIABILITY.

FORFEITURE NOTICE.

NOTICE is hereby given that all shares forfeited for non-payment of No. 82 (April) Call of Three pence per share, will be sold by public auction in the vestibule of the Stock Exchange, 428 Chancery-lane, Melbourne, on Friday, 16th May, 1947, at a quarter to Twelve a.m., unless shares are previously redeemed.

Dated 5th May, 1947.
By order of the Board,
FRANK COOPER, Manager.
422 Collins-street, Melbourne, C.1. 249

NEW BUTLER'S TIN MINES NO LIABILITY.

FORFEITURE NOTICE.

NOTICE is hereby given that all shares forfeited for non-payment of No. 16 (April) Call of Six pence per share will be sold by public auction in the vestibule of the Stock Exchange, 428 Chancery-lane, Melbourne, on Wednesday, 14th May, 1946, at a quarter to Twelve a.m., unless shares are previously redeemed.

Dated 5th May, 1947.
By order of the Board,
FRANK COOPER, Manager.
422 Collins-street, Melbourne, C.1. 250

IMPOUNDINGS.

BERWICK.—Impounded at Berwick Pound.

1 bay pony gelding, agcd, hog mane, star, hind fetlocks white, off fore fetlock blistered, no visible brand
1 bay pony gelding, aged, star, both hind feet white, off fore tendon enlarged, no visible brand
1 black pony, 7 years, blazed face, both hind feet white, scar near jaw, M near shoulder

If not claimed and expenses paid, to be sold on 23rd May, 1947.

277—7/4 M. A. NIXON,
Poundkeeper.

CUDGEE.—Impounded at Cudgee.

1 red and white cow, piece out of back near ear and front off ear, no visible brand

If not claimed and expenses paid, to be sold on 13th May, 1947.

193—4/8 A. PULHAM,
Poundkeeper.

DOOKIE.—Impounded at Dookie, on the 30th April, 1947.

1 small bay draught mare, white blaze on face, three white feet, white spot on near shoulder, no visible brand

If not claimed and expenses paid, to be sold on 23rd May, 1947.

221—6/ W. HUTCHINSON,
Poundkeeper.

FERNTREE GULLY.—Impounded at Ferntree Gully.

1 black cow, milking, low in condition, left horn broken, like N.O. on milking hip, L raddle mark on milking rump

If not claimed and expenses paid, to be sold on 22nd May, 1947.

196—4/8 A. DINSDALE,
Poundkeeper.

KYNETON.—Impounded at Kyneton, on 1st May, 1947.

1 crossbred wether, two-tooth, like C back off shoulder
1 comeback ewe, aged, like heart on ribs

If not claimed and expenses paid, to be sold on 14th May, 1947.

200—4/8 J. J. ROGERS,
Poundkeeper.

NEWHAM AND WOODEND.—Impounded at Newham and Woodend, Shire Pound, on 2nd May, 1947, by A. E. East, C.R.B. Ranger.

No. 7. 1 black and brown Jersey cow, dehorned, no visible brand

No. 8. 1 silver Jersey poll cow, like S off rump

If not claimed and expenses paid, to be sold on 21st May, 1947.

226—6/8 F. BOWYER,
Poundkeeper.

SHEPPARTON.—Impounded at Shire of Shepparton Pound.

1 young red poll bull, notch in top of near ear, no visible brand

If not claimed and expenses paid, to be sold on 26th May, 1947.

220—5/4 G. F. WALTERS,
Poundkeeper.

TERANG.—Impounded at Terang, from Ayreford-road.

1 red steer calf, no visible brand
1 red and white heifer calf, no visible brand
2 red heifer calves, centre punch under near ear, no visible brand

From Castle-Carey Bridge.

1 black heifer calf, no visible brand
2 black and white calves (one bob tail), no visible brand or earmarks

If not claimed and expenses paid, to be sold on 26th May, 1947.

222—8/8 DORIS M. KIDD,
Poundkeeper.

STATE ACTS, 1946.

STATE ACTS, 1946—*continued.*

COPIES of the following Acts of Parliament of Victoria may be obtained at the Government Printing Office, or from any bookseller, at the price set opposite to each:—

No.	Description	Price.		No.	Description	Price.	
		s.	d.			s.	d.
5109.	Geelong Land	0	6	5167.	Stamps (Increased Duty Continuance) ..	0	6
5110.	Transport Regulation (Amendment) ..	0	6	5168.	Land Tax	0	6
5111.	Factories and Shops (Annual Holidays) ..	0	9	5169.	Cattle Breeding	0	6
5112.	Mornington Sewerage Authority (Validation) ..	0	6	5170.	Administration and Probate Duties ..	0	6
5113.	Local Government (Emergency Housing Accommodation) Amendment ..	0	6	5171.	Co-operative Housing Societies (Guarantees) ..	0	6
5114.	Housing (Commonwealth and State Agreement)	1	0	5172.	Railways (Sick Leave)	0	6
5115.	Factories and Shops (Early Closing) ..	0	6	5173.	Fruit and Vegetables	0	6
5116.	Building Operations and Building Materials Control	0	9	5174.	Farm Water Supplies and Drainage Advances ..	0	6
5117.	Water (Lévee Banks)	0	9	5175.	State Forests Loan and Application ..	0	6
5118.	Co-operative Housing Societies	0	6	5176.	Melbourne South Land	0	6
5119.	Local Government (Municipal Rolls) ..	0	6	5177.	Agricultural Colleges (Amendment) ..	0	6
5120.	Public Works Loan and Application ..	0	6	5178.	Drought Relief (Amendment)	0	6
5121.	Totalizator (Charities)	0	6	5179.	Soldier Settlement	1	9
5122.	Drought Relief	0	6	5180.	Free Library Service Board	0	6
5123.	Taxation (Arrangements)	0	6	5181.	Adult Education	0	6
5124.	Public Service	1	6	5183.	Evidence	0	6
5125.	Teaching Service	1	3	5184.	Housing (Discharged Servicemen) ..	0	6
5126.	Police Regulation	1	0	5185.	Parliamentary Contributory Retirement Fund ..	0	6
5127.	Railways (Long Service)	0	6	5186.	Friendly Societies	0	6
5128.	Workers' Compensation	1	6	5187.	Police Offences (Race-meetings) ..	0	6
5129.	Sewerage Districts (Amendment)	0	6	5188.	Railways (Mont Park Siding)	0	6
5130.	Factories and Shops (Bread)	0	6	5189.	Land (Grazing Licences)	0	6
5131.	Crimes (Intermediate Sentences)	0	6	5190.	Factories and Shops (Bread Carters) ..	0	6
5132.	Medical (Chemists' Apprentices)	0	6	5191.	Country Fire Authority	1	0
5133.	Soldier Settlement (Amendment)	0	6	5192.	Supreme Court (Judges)	0	6
5134.	Consolidated Revenue	0	6	5193.	Railway Loan Application	0	6
5135.	Consolidated Revenue	0	6	5194.	Metropolitan Gas Company's	0	6
5136.	Apprenticeship	0	6	5195.	Railways (Temporary Employés)	0	6
5137.	Consolidated Revenue	0	6	5196.	Railways (State Coal Mine)	0	6
5138.	Consolidated Revenue	0	6	5197.	Licensing	0	6
5139.	Consolidated Revenue	0	6	5198.	Town and Country Planning	0	6
5140.	Nicholson-street Tramway Construction ..	0	6	5199.	Public Works Loan and Application (No. 2) ..	0	6
5141.	Burke-road Tramway Construction	0	6	5201.	Trotting Races	0	6
5142.	Ballaarat Gas Company's	0	6	5202.	Economic Stability	0	6
5143.	Melbourne and Metropolitan Board of Works (Contributions)	0	6	5204.	Stamps	2	3
5144.	Stamps (Betting Tax)	0	6	5206.	Melbourne and Metropolitan Tramways (Appeal Board)	0	6
5145.	Juries (Fees)	0	6				
5146.	Cattle and Swine Compensation	0	6				
5147.	Marine (Pilots and Pilotage Rates) ..	0	6				
5148.	Patriotic Funds	0	6				
5149.	Stock Foods (Amendment)	0	6				
5150.	Municipal Endowment (Temporary Discontinuance)	0	6				
5151.	Medical Practitioners' Registration ..	0	6				
5152.	Seeds	0	6				
5153.	Water	0	6				
5154.	Clifton Hill Land	0	6				
5155.	Tobacco Sellers	0	6				
5156.	Country Roads Board Fund (Amendment) ..	0	6				
5157.	Moorpanyal Land	0	6				
5158.	Factories and Shops (Annual Holidays) Amendment	0	6				
5159.	Factories and Shops (Wages Boards) ..	0	6				
5160.	Melbourne and Metropolitan Tramways (Amendment)	0	6				
5161.	Infectious Diseases Hospital (Borrowing) ..	0	6				
5162.	University (Mildura Branch)	0	6				
5163.	Farmers Protection (Amendment)	0	6				
5164.	Forests (Exchange of Lands) Extension ..	0	6				
5165.	Money Lenders (Cash Orders)	0	6				
5166.	Local Government (Dandenong Street Construction)	1	0				

J. J. GOURLEY,
Government Printer.

AGENTS FOR THE "VICTORIA GOVERNMENT GAZETTE."

THE following have been appointed agents to receive Advertisements and subscriptions for the *Victoria Government Gazette*:—

- ARMSTRONG'S AGENCY, 143 Queen-street, Melbourne.
- MESSRS. ARNALL & JACKSON, 115 Barkly-street, West Brunswick.
- MESSRS. GORDON & GOTCH, News Agents, 511 Little Collins-street, Melbourne; and corner Barrack and Clarence streets, Sydney.
- MESSRS. HARSTON, PARTRIDGE, & CO., 455 Little Collins-street, Melbourne.
- N. V. NIXON & CO., 20 Queen-street, Melbourne.
- THE PATON ADVERTISING SERVICE PTY. LTD.
- ROBERTSON & MULLENS LTD., Elizabeth-street, Melbourne.
- MESSRS. W. H. WADDELL and A. S. RICHARDSON, trading as the Mercantile Exchange, 380 Collins-street, Melbourne.
- MR. A. J. DIGBY, News Agent, Bairnsdale.
- MR. M. R. BADE, Tobacconist, Sturt-street, Ballarat.
- TRIGG'S NEWS AGENCY, Hargreaves-street, Bendigo.
- MR. G. H. K. PAYNE, 4 View Point, Bendigo.
- MR. C. F. LATIMER, News Agent, Casterton.
- MESSRS. HENRY FRANKS & CO., Booksellers and Stationers, Market-square, Geelong.

MESSRS. SMITH & DUNNON, Hamilton.
 ARMSTRONG BROS., Kyneton.
 MR. WM. DAVIS, Mildura.
 PIKE'S AUTHORIZED NEWS AGENCY, Sale.
 MR. C. T. RUST, News Agent, Wangaratta.
 MR. F. T. MCCORMICK, Nunn-street, Benalla.
 R. C. SNEDDON, 139 Bridge-street, Benalla.
 W. GORDON HAMPTON, 243 Mitchell-street, Bendigo.
 R. & A. SMALLMAN, News Agents, Toora.

A copy of the Gazette filed at each place for public reference.

Two p.m., at ordinary rates, and late advertisements between Two p.m. and Five p.m. at double rates on the day preceding the day of publication.

Single copies of the VICTORIA GOVERNMENT GAZETTE are Six pence, posted Eight pence, each.

No GAZETTES prior to January, 1936, in stock.

***ALL PAYMENTS ARE REQUIRED IN ADVANCE.—Remittances should be made by postal note, money order, or draft in favour of the Government Printer. Advertisements unaccompanied by a remittance sufficient to cover the cost of insertion will be returned unpublished.

THE "VICTORIA GOVERNMENT GAZETTE."

SUBSCRIPTIONS.—The subscription, including Postage, is £1 12s. 6d. per annum, 16s. 3d. half-yearly, or 8s. 2d. per quarter, payable in advance.

Subscriptions are required to commence and terminate with a month.

A lesser period than three months cannot be subscribed for.

Subscribers do not receive the Acts of Parliament with the GAZETTE.

ADVERTISEMENTS are charged at the rate of EIGHT PENCE per line single column, and ONE SHILLING and FOUR PENCE per line double column.

The title (£5 Reward, Dissolution of Partnership, &c.) forms one or more lines as a heading.

On an average, ten words make a line.

Every signature must likewise be counted as a line.

The final words of a paragraph, though only portion of a line must be counted as one line.

SIGNATURES (in particular) and proper names must be written very plainly in the text; ONE SIDE ONLY of each slip of paper should be WRITTEN UPON.

ALL COMMUNICATIONS should be addressed to "The Government Printer, Melbourne."

ALL DOCUMENTS illegibly written will be returned unpublished, and, where brands occur unprovided for by the ordinary letters of the alphabet, a worded explanatory description must be furnished.

THE VICTORIA GOVERNMENT GAZETTE is published on WEDNESDAY EVENING in each week, and Notices for insertion will be received by the Government Printer at or before

CONTENTS

	PAGE
Acts of Parliament on sale at the Government Printing Office	2321
Alteration—King's Birthday, Bank Holiday	2292
Appointments	2293
Bank Half-holidays	2291
Cemetery—Scale of Fees	2297
Contracts	2302
Estates of Deceased Persons	2302
Government Notices	2292
Impoundings	2320
Issue of Writ, Legislative Assembly	2291
Lands	2307
Levee at Parliament House	2291
Mining	2319
Notice to Mariners	2300
Orders in Council	2303
Private Advertisements	2312
Proclamations	2291
Public Half-holidays	2292
Public Service Notices	2294
Registration of Fuel Merchants	2299
Resignations	2294
State Rivers and Water Supply Commission	2300
Tenders	2310
Transport Regulation Board—Public Hearings	2298