

[3427]



VICTORIA
GOVERNMENT GAZETTE.

Published by Authority.

[Registered at the General Post Office, Melbourne, for transmission by post as a newspaper.]

No. 297]

TUESDAY, JULY 8.

[1947

NURSES BOARD.

Nurses Acts, Victoria.

SUPPLEMENTARY REGISTER
OF NURSES.

NURSES BOARD.

NURSES ACTS.

Victoria.

IN accordance with the provisions of the Nurses Acts the following copy of the Supplement to the Register of Nurses for the year ending 31st December, 1946, is hereby published.

E. PITCHFORD, Registrar,

Nurses Board, Melbourne.

23rd April, 1947.

SUPPLEMENT TO THE REGISTER OF NURSES.

No.	Date of Registration.	Name.	Address.	Section.	Hospital or Training Establishment.
13799	13.9.46	Abbott, Cecily	Kingston Beach, Tasmania ..	14 (1)	Royal Hobart Hospital, April, 1945
13184	15.2.46	Ackland, Emily Marion ..	Box 21, Woomelang	10	Epworth Hospital, December, 1945
13574	12.7.46	Addinsall, Marjory Jean ..	"Westbury," MacArthur ..	10	Hamilton Hospital, February, 1946
13464	10.5.46	Ahorn, Olive Mary	Shannonvale Station, Home Hill, North Queensland	14 (1)	Mater Misericordiae Hospital, Brisbane, September, 1943
13465	10.5.46	Alexander, Patricia Constance	5 Mansfield-street, Rockhampton, Queensland	14 (1)	Rockhampton Hospital, June, 1943
13875	11.10.46	Altham, Sarah Alice	Queen Victoria Hospital, Melbourne	14 (1)	Government Hospital, W.A., June, 1944
13657	9.8.46	Anderson, Audrey Evelyn ..	"Hill-View," Tourello	10	Ballarat Baso Hospital, March, 1946
13833	11.10.46	Anderson, Margaret Jean ..	5 Corsewall-close, Hawthorn ..	10	Alfred Hospital, September, 1946
13892	8.11.46	Anderson, Maud Elizabeth ..	3 Allen-street, Essendon	10	Maryborough Hospital, August, 1946
13800	13.9.46	Andrews, Enid Myra	Glen Turret, Moculta, via Angaston, South Australia	14 (1)	Royal Adelaide Hospital, April, 1946
13801	13.9.46	Appleyard, Ann Oliver	Women's Hospital, Carlton ..	14 (1)	Brisbane and South Coast Hos- pitals, April, 1946
13746	13.9.46	Apted, Blanche	West Gippsland Hospital, Warragul	10	Warragul Hospital, June, 1946
13658	9.8.46	Archibald, Alice Jean	Lockington	10	Bendigo Base Hospital, August, 1945
13732	16.8.46	Arkcoll, Harry Richards ..	16 Whalley-street, Northcote ..	10	(Provisional Registration) Prince Henry's Hospital, June, 1946
13747	13.9.46	Arnold, Graco Evelyn	126 St. Georges-road, Northcote ..	10	Horsham Base Hospital, August, 1946
13659	9.8.46	Asplin, Olive Margaret	Quantong, via Horsham	10	Alfred Hospital, September, 1945
13185	15.2.46	Atkinson, Florence Margaret	Flat 9, 99 Albert-street, East Mel- bourne	10	Women's and Epworth Hospitals, February, 1946
13893	8.11.46	Austin, Beryl Joan	Clyde-road, Berwick	10	Alfred Hospital, February, 1946
13412	10.5.46	Bach, Betty Rose	132 Nicholson-street, Fitzroy ..	10	Fairfield Hospital, October, 1946
13894	8.11.46	Bailey, Ada May	75 Alfred-crescent, North Fitzroy	10	Royal Melbourne Hospital, Sep- tember, 1945
13490	14.6.46	Bailey, Lorna Joan	155 Main-street, Ballarat	10	St. Arnaud Hospital, September, 1945
13895	8.11.46	Baldwin, Mary Judith	Gre Gre Vicarage, via St. Arnaud	10	Children's Hospital, June, 1946
13896	8.11.46	Barber, Dorothy Jean	Corack-road, Birchip	10	Hamilton Base Hospital, July, 1946
13660	9.8.46	Barber, Jean Rosalea	51 Stuart-street, Armadale	10	Royal Melbourne Hospital, July, 1945
13348	12.4.46	Barlow, Margaret Joan	48 Deepdene-road, Balwyn	10	Royal Melbourne Hospital, August, 1945
13349	12.4.46	Batterham, Gwon Irene	Millers-road, Boronia	10	Ballarat Hospital, March, 1946
13575	12.7.46	Bartlett, Louie May	92 Pascoe-crescent, Essendon ..	10	Auckland Hospital, New Zealand, November, 1943
13876	11.10.46	Bartrum, Ruth Geraldine ..	c/o 3 Fitzherbert-avenue, Wanganui, North Island, New Zealand ..	14 (1)	Horsham Hospital, April, 1946
13834	11.10.46	Baugh, Mavis Gertrude	Box 98, Casterton	10	Warrnambool Base Hospital, De- cember, 1945
13963	13.12.46	Baulch, Betty Kathleen	"Alanvale," Orford	10	Children's Hospital, January, 1946
13296	8.5.46	Bean, Sheila Margot	278 Orrong-road, Caulfield	10	Wilga Private Hospital, Queens- land
13389	12.4.46	Beavis, Elva	Private Hospital, Kaniva	14 (1)	Brisbane and South Coasts Hos- pitals, March, 1944
13714	9.8.46	Beck, Ursula	20 Rusitance-street, Ipswich, Qld.	14 (1)	Ballarat Baso Hospital, June, 1946
13661	9.8.46	Bell, Ethel Mary	Flat 1, 607 St. Kilda-road, Melbourne, S.C.1	10	Alfred Hospital, June, 1946
13576	12.7.46	Bell, Joan Muriel	31 Davey-street, Frankston	10	Children's Hospital, December, 1945
13491	14.6.46	Betteridge, Elsie Phyllis ..	Princes-highway, Drouin	10	Glasgow Royal Infirmary, September, 1940
14006	13.12.46	Bickett, Janet Brown	c/o Bowen, 6 Earle-street, Mont Albert	14 (1)	Royal South Sydney Hospital, N.S.W., May, 1945
13390	12.4.46	Biddington, Joan	272 Russell-street, Ballarat	14 (1)	St. Vincent's Hospital, December, 1945
13186	15.2.46	Bisdee, Alison Mary	52 View-street, Mont Albert	10	Alfred Hospital, July, 1946
13964	13.12.46	Black, Elizabeth Jean	Bonedah, Pakenham Upper	10	Royal Melbourne Hospital, De- cember, 1945
13350	12.4.46	Black, Joyce Winifred	Box 8, Branzholme	10	Children's Hospital, March, 1946
13492	14.6.46	Black, Margaret Joyce	"Boneidah," Pakenham Upper ..	10	(Provisional Registration)
13655	12.7.46	Blake, Edward Patrick	62 Riddell-parade, Elsternwick ..	10	Bethesda Hospital, October, 1946
13965	13.12.46	Boag, Aimee Eunice	164 Albert-street, East Brunswick	10	Prince Henry's Hospital, May, 1946
13663	9.8.46	Bodley, Dorothea Gwendolyn	"The Vicarage," Willaura	10	Williamstown Hospital, June, 1946
13662	9.8.46	Bodycoat, Alma Margaret ..	"Langton Lodge," Woolert	10	Royal Melbourne Hospital, Oc- tober, 1945
13187	15.2.46	Booker (née Sinclair), Babette Jane Miller	Post Office, Rutherglen	10	

SUPPLEMENT TO THE REGISTER OF NURSES—continued.

No.	Date of Registration.	Name.	Address.	Section.	Hospital or Training Establishment.
13664	9.8.46	Booth, Edna May ..	6 Lyric-grove, Camberwell ..	10	Prince Henry's Hospital, March, 1946
13877	11.10.46	Botica, Luci ..	c/o. Mrs. J. Botica, Aratapu, North Wairoa North Auckland, New Zealand	14 (1)	Auckland Hospital, New Zealand, July, 1943
13748	13.9.46	Bowditch, Shirley Laura ..	Moore-street, Warrnambool ..	10	Warrnambool Hospital, May, 1946
13267	15.2.46	Box, Constance Clara ..	384 Seaview-road, Henley Beach, South Australia	14 (1)	Adelaide Hospital, April, 1938
13949	8.11.46	Boxall, Gwoneith Ida ..	95 Stirling-highway, Nodlands, W.A.	14 (1)	Perth Hospital, March, 1945
13489	10.5.46	Braid, Margaret Younger ..	Manjimup, West Australia ..	14 (1)	Fremantle Hospital, April, 1939
13898	8.11.46	Braino, Lois Mary ..	Jubilee-street, Boort ..	10	Children's Hospital, May, 1946
13493	14.6.46	Brake, Muriel Mary ..	4 McIntyre-street, Hamilton ..	10	Hamilton Base Hospital, April, 1946
13744	16.8.46	Brakewell, Charles Maurice ..	Flat 6, 43 Shelley-street, Elwood ..	14 (1)	(Provisional Registration) Royal Adelaide Hospital, March, 1945
13333	8.3.46	Brauer, Doreen Melva ..	Main-street, Peterborough, S.A. ..	14 (1)	Royal Adelaide Hospital, March, 1945
13577	12.7.46	Brayton, Doreen Elizabeth ..	16 Alexandra-avenue, Geelong ..	10	Mercy Hospital, February, 1946
13334	8.3.46	Broon, Sydney Kyle ..	14 Ood-street, West Perth, W.A.!	14 (1)	Children's Hospital, Perth; February, 1942 Geraldton Hospital, Adult, March, 1943
13578	12.7.46	Brennan, Una Agnes ..	Jeffcott North P.O., via Donald ..	10	Bendigo Base Hospital, August, 1945
13579	12.7.46	Brien, Ivy Bertha Flora ..	375 Murray-street, Colac ..	10	Colac District Hospital, January, 1946
13494	14.6.46	Brindley, Norma Margaret ..	"Conistan," Burrowgo ..	10	Alfred Hospital; April, 1946
13301	12.4.46	Broad, Margaret ..	73 Queen's-road, Melbourne ..	14 (1)	Perth Hospital, W.A., May, 1944
13188	15.2.46	Brook, Margaret Hazlett ..	"Cardief," Sutton Grange ..	10	Bendigo Base Hospital, January, 1945
14007	13.12.46	Brockman, Nora Frances ..	"Cooranup," via Balingup, W.A.	14 (1)	Perth Hospital, W.A. January, 1946
13966	13.12.46	Broderick, Phyllis Margaret ..	13 Bay-street, Brighton ..	10	Women's Hospital, December, 1945
13959	8.11.46	Bromell, Jean Turnbull Forbes	Ballidu, Western Australia ..	14 (2)	Perth Children's Hospital; September, 1933
13268	15.2.46	Brooke, Marguerite Lucy ..	c/o. Sister McCubbin, 148 Durham-road, Sunshine ..	14 (1)	Diamantina Hospital, Queensland, April, 1940
13351	12.4.46	Brown, Audrey ..	5 Watson-grove, Glenhuntly ..	10	Epworth Hospital, February, 1946
13665	9.8.46	Brown, Dorothy Grace ..	2 St. George's-avenue, Mont Albert	10	Royal Melbourne Hospital, November, 1945
13749	13.9.46	Brown, Ethel Ida Parker ..	"Fernside," Portsea ..	10	Hamilton Hospital, June, 1946
13828	22.9.46	Brown, Frederick James ..	Nursing Staff, General Hospital, Launceston, Tasmania	10	(Provisional Registration)
13269	15.2.46	Brown, Helen Dorothy ..	18 Edward-street, Brighton, S.A.	14 (1)	Wakefield-street, Private Hospital, Adelaide, June, 1945
13715	9.5.46	Brown, Jessie Agnes ..	Women's Hospital, Carlton ..	14 (1)	Brisbane and South Coast Hospital, Queensland, May, 1945
13580	12.7.46	Brown, Joan Agnes ..	32 Queens-road, Melbourne ..	10	Alfred Hospital, November, 1945
13495	14.6.46	Brown, Verna Marjorie ..	Skipton-road, Linton ..	10	Ballarat Base Hospital, November, 1945
13666	9.8.46	Browne, Mary Seymour ..	56 Dominion-circuit, Forrest, Canberra, A.C.T.	10	Royal Melbourne Hospital, May, 1945
13750	13.9.46	Brumby, Mollie Joan ..	90 St. George's-road, Toorak ..	10	Royal Melbourne Hospital, May, 1945
13667	9.8.46	Buckler, Mary Jean ..	"Meigunyah," Parwan, via Bacchus Marsh	10	Prince Henry's Hospital, April, 1945
13667	13.12.46	Bugg, Betty Jane ..	7 Stansell-street, Kew ..	10	Mercy Hospital, October, 1945
13413	10.5.46	Bulling, Patricia May ..	38 Yeovil-road, Burwood ..	10	Children's Hospital, April, 1946
13968	13.12.46	Burchard, Bernadette ..	Tantanovla, South Australia ..	10	St. Vincent's Hospital, December, 1946
13751	13.9.46	Burger, Elsie Ida ..	Box 65, Penshurst ..	10	Hamilton Hospital, February, 1946
13581	12.7.46	Burger, Myrtle Ella ..	Queen Victoria Hospital, Melbourne	10	Geelong Hospital, June, 1946
13496	14.6.46	Burgess, Helen Mary ..	18 Bedford-road, Ringwood ..	10	Alfred Hospital, April, 1946
13543	14.6.46	Burke, Marjorie June Rickard	87 Seymour-road, Elsternwick ..	14 (1)	Brisbane and South Coast Hospital, May, 1945
13582	12.7.46	Burn, Joan Eliza ..	3 Amicm-street, Hampton ..	10	Royal Melbourne Hospital, October, 1945
13583	12.7.46	Burnell, Lynette Mary ..	Parker-street, Castlemaine ..	10	Children's and Affiliated Hospitals, February, 1946
13392	12.4.46	Burns, Grace Helena ..	3 Carlton-street, Fullarton, S. A. . .	14 (1)	Wakefield-street Private Hospital, S.A., September, 1945
13335	8.3.46	Burrows, Irene Lorraine ..	Box 96, Waikoro, River Murray, S.A.	14 (1)	Royal Adelaide Hospital, September, 1945
13950	8.11.46	Butler, Thora Grace ..	26 Jackson-street, St. Kilda ..	14 (1)	Royal Hobart Hospital, November, 1944
13668	9.8.46	Butterworth, June Kay ..	"Stonechenge," Buchan South ..	10	Bairnsdale Hospital, September, 1945
13635	12.7.46	Byrne, Jane ..	Jamestown, S. A. ..	14 (1)	Calvary Hospital, North Adelaide, February, 1944
13969	13.12.46	Byrne (née Carroll), Josephine Mary	60 Canterbury-street, St. Arnaud	10	St. Arnaud Hospital, November, 1943
13497	14.6.46	Byrne, Margaret Constance ..	State Plantation, Narbethong, via Healesville	10	Royal Melbourne Hospital, May, 1946
13970	13.12.46	Caddy, Gwendoline Dorothy	Melbourne-road, Creswick ..	10	Women's Hospital, October, 1946
13962	8.11.46	Cahill, Cyril Dennis ..	17 Lambeth-place, St. Kilda ..	10	(Provisional Registration)
13355	12.4.46	Cahill, Joyce Lillian ..	31 Katawa-grove, Brunswick ..	10	Bendigo Hospital, March, 1945
13270	15.2.46	Cain (née James), Phyllis Christina Wearne	9 Sixth-street, Parkdale ..	14 (1)	Perth Hospital, May, 1940

SUPPLEMENT TO THE REGISTER OF NURSES—continued.

No.	Date of Registration.	Name.	Address.	Section.	Hospital or Training Establishment.
13802	13.9.46	Caird, Dorothea Jeanette ..	127 Petra-street, East Fremantle, Western Australia ..	14 (1)	Freemantle Hospital, February, 1946
13835	11.10.46	Caldecott, Beatrice Blanche ..	38 North-road, Brighton ..	10	Alfred Hospital, July, 1946
13752	13.9.46	Calvert, Jessie Leone ..	6 Glen Eira-road, Ripponlea ..	10	Royal Melbourne Hospital, May, 1946
13899	8.11.46	Cameron, Annie Alison ..	66 Rennie-street, Coburg ..	10	Bethesda Hospital, September, 1946
13189	15.2.46	Cameron, Dorothy Gwen ..	Women's Hospital Carlton ..	10	Warracknabeal Hospital, January, 1946
13900	8.11.46	Cameron, Joan Beatrice ..	Yaaput P.O., via Rainbow ..	10	Prince Henry's Hospital, September, 1942
13190	15.2.46	Cameron, Marjorie Jean ..	"Rochdale," Merindee, N.S.W. ..	10	Alfred Hospital, August, 1945
13901	8.11.46	Campbell, Alison Belle ..	Tourello, Barelhan, N.S.W. ..	10	Women's and Kyneton Hospitals, March, 1945
13584	12.7.46	Cane, Betty Florence ..	18 Louise-avenue, Mont Albert ..	10	Epworth Hospital, April, 1946
13191	15.2.46	Cane, Patricia Barkly ..	16 Axelton-street, Cheltenham ..	10	Children's Hospital, September, 1945
13753	13.9.46	Cannam (née McLuckie), Margaret Isobel ..	5 Fisher-street, East Malvern ..	10	Queen Victoria Hospital, August, 1946
13902	8.11.46	Cannard, Edith Ann ..	"The Pines," Hemmill-street, Donald ..	10	St. Arnaud Hospital, January, 1946
13733	16.8.46	Carlstrom, Carl Abraham Reinhold ..	St. Vincent's Hospital Fitzroy ..		(Provisional Registration)
13585	12.7.46	Carolan, Mary Margaret ..	Woodville, Boxwood, via Benalla ..	10	Mooroopna Hospital, May, 1946
13414	10.5.46	Carson (née Carr) Norma, Josephine ..	60 Myrnong-crescent, Ascot Vale ..	10	Women's Hospital, December, 1944
13669	9.8.46	Castle, Ruth ..	Block 245, Red Cliffs ..	10	Epworth Hospital, May, 1946
13297	8.3.46	Codergreen, Agnes Muriel Elsie ..	8 Water-street, Bundaberg, Qld. ..	10	Children's Hospital, March, 1943
13192	15.2.46	Chalmers, Joan ..	"Acacia," Mysia ..	10	Children's Hospital, July, 1945
13586	12.7.46	Chambers, Doris Myers ..	Base Hospital, Ballarat ..	10	Ballarat Hospital, January, 1946
13903	8.11.46	Champion, Josephine ..	32 Grenville-street, Hampton ..	10	Alfred Hospital, May, 1946
13193	15.2.46	Champion, Ruth ..	19 Fairholm-avenue, Camberwell ..	10	Royal Melbourne Hospital, January, 1946
13670	9.8.46	Chan, Vera Dorothy ..	38 Steinfield-street, Ballarat East ..	10	Infectious Diseases Hospital, March, 1944
13194	15.2.46	Chapman, Edna May ..	St Vincent's Hospital, Fitzroy ..	10	St. Vincent's Hospital, October, 1945
13971	13.10.46	Chapman, Eleanor Vivienne ..	15 Kyeauba-grove, Toorak ..	10	Prince Henry's Hospital, July, 1946
13544	14.6.46	Chappell, Elsie Grace ..	Monbulk ..	14 (1)	Royal Adelaide Hospital, August, 1945
14008	13.12.46	Charman, Agnes Edith ..	c/o. Mrs. W. R. Treadwell, 13 Haupara-street, Orehunga, Auckland, N.Z. ..	14 (1)	Westland Hospital, New Zealand, May, 1940
13754	13.9.46	Chatfield, Elizabeth Florence ..	Austin Hospital, Heidelberg ..	10	Austin Hospital, May, 1946
13734	16.8.46	Chenoy, Sydney Oswald ..	6 Darling-street, South Yarra ..		(Provisional Registration)
13486	10.5.46	Chick, Mavis Valma ..	45 Trimmer-parade, Seaton Park, S.A. ..	14 (1)	Royal Adelaide Hospital, January, 1945
13415	10.5.46	Chomley, Roma Meredith Floyd ..	Killeen, Longwood, Victoria ..	10	Prince Henry's Hospital, April, 1946
13836	11.10.46	Christian, Joan Shirley ..	Scott-street, Mortlake ..	10	Royal Melbourne Hospital, September, 1946
13904	8.11.46	Clark, Dorothy Inez ..	5 Pembroke-road, Balwyn ..	10	Epworth Hospital, September, 1946
13827	13.9.46	Clark, Helen Ruth ..	29 Northcote-terrace Modindie, S.A. ..	14 (2)	Adelaide Children's Hospital, October, 1945
13972	13.12.46	Clark, Iris Jean ..	Ceres P.O., via Geelong ..	10	Royal Melbourne Hospital, July, 1946
13671	9.8.46	Clark, Marjorie Esther Tyson ..	14 Milbank-street, Portland ..	10	Colac Hospital, November, 1945
13937	11.10.46	Clarke, Joan Margaret ..	"Clunie," Newstead ..	10	Alfred Hospital, June, 1946
13467	10.5.46	Clements, Daphne ..	24 Webster-street, Burwood ..	14 (1)	Castlemaine Hospital, February, 1945
13356	12.4.46	Clements, Desiree ..	Golf Hill, Shellford, via Geelong ..	10	Ipswich Hospital, Qld., April, 1944
13195	15.2.46	Clements, Margaret Cecily ..	6 Courmang-road, Glen Iris ..	10	Marcy Hospital, April, 1945
13587	12.7.46	Cloonan, Joan Mary ..	Nandaly, Victoria ..	10	Alfred Hospital, February, 1946
13973	13.12.46	Coates, Lily ..	c/o. A. E. Coates, Rinton-street, Upper Burnie, Tasmania ..	10	Mildura Base Hospital, April, 1946
13463	10.5.46	Cockrane, Vaisey Adrienne ..	5 Electra-street, Williamstown ..	10	Austin Hospital, November, 1946
13468	10.5.46	Cockburn, Anna Forbes ..	117 Lambton-road, New Lambton, Newcastle, N.S.W. ..	14 (1)	Williamstown Hospital, April, 1946
13498	14.6.46	Cockburn, Lorrie ..	Walpeup, Victoria ..	10	Prince Alfred Hospital, Sydney, March, 1945
13352	12.4.46	Coker, Gwendoline Mabel ..	Melbourne-road, Sorrento ..	10	Bendigo Hospital, August, 1944
13298	8.3.46	Cole (née Penberthy), Muriel ..	Post Office, Ardmona, via Mooroopna ..	10	Women's Hospital, July, 1945
14009	13.12.46	Coloman (née Griove), Ailsa Marjorie ..	Women's Hospital, Carlton ..	14 (1)	Mooroopna Hospital, January, 1946
13196	15.2.46	Coleman, Lawna Ella ..	308 Racecourse-road, Flemington ..	10	Brisbane and South Coast Hospital, January, 1942
13636	12.7.46	Colloy, Elsie Eunice ..	"Nare," Station, Hargraves, via Mudgoe, N.S.W. ..	14 (1)	Children's Hospital, November 1944
14010	13.12.46	Collins, Kathleen ..	14 The-grove, Coburg ..	14 (1)	Prince Henry's Hospital, September, 1945, N.S.W.
13332	8.3.46	Collins, Lily ..	Gerang Gerung, via Nhill ..	10	Perth Hospital, W.A., May, 1936
13735	16.8.46	Collins, Reginald William ..	Q.M.I.D. Hospital, Fairfield ..	14 (1)	Warracknabeal Hospital, September, 1945
13271	15.2.46	Colliver, Margaret Emily ..	82 Dinwoodie-avenue, Clarence Gardens, S.A. ..	14 (1)	(Provisional Registration)
13272	15.2.46	Colton, Helen Burbury ..	Portland ..	14 (1)	Royal Adelaide Hospital, July, 1944
13416	10.5.46	Conboy, Florence Jean ..	Portland ..	10	Memorial Hospital, North Adelaide, S.A., January, 1945
13672	9.8.46	Condely, Hilda Margaret ..	48 Wynsham-street, Kerang ..	10	Ararat Hospital, March, 1946
13838	11.10.46	Conley, Jessie Robertson ..	"Barra," Undera, via Mooroopna ..	10	Children's Hospital, August, 1945
					Mooroopna Hospital, May, 1946

SUPPLEMENT TO THE REGISTER OF NURSES—continued.

No.	Date of Registration.	Name.	Address.	Section.	Hospital or Training Establishment.
13839	11.10.46	Conloy, Ruth McNeil ..	"Barra," Undera, via Mooroopna	10	Royal Melbourne Hospital, September, 1946
13961	8.11.46	Conroy, William Eugene ..	16 Imbros-street, Hampton ..		(Provisional Registration)
13755	13.9.46	Cook, Dorothy ..	10 Bealiba-road, Caulfield ..	10	St Vincent's Hospital, May, 1946
13840	11.10.46	Cook, Frances Merle ..	104 Falconer-street, North Fitzroy	10	Epworth Hospital, May, 1946
13974	13.12.46	Cook, Merilyn Iris ..	21 Fyansford-road, Heine Hill, Geelong	10	Geelong Hospital, January, 1945
13353	12.4.46	Cook, Winifred Margaret ..	Epworth Hospital, Richmond ..	10	Gippsland Hospital, Sale, December, 1945
13299	8.3.46	Cooke, Ethel Mabel ..	642 Glenhuntsly-road, Caulfield ..	10	Infectious Diseases Hospital, January, 1946
13716	9.8.46	Cooper, Maureen Audrey ..	Bony Mountain, via Cunningham, S.W. Line, Queensland	14 (1)	Brisbane and South Coast Hospitals, Queensland, February, 1946
13300	8.3.46	Cooper, Norma Marjorie ..	"Lockslea," Mead, via Cohuna ..	10	Royal Melbourne Hospital, September, 1945
13587	12.7.46	Corden, Olive Kate ..	2 Gillman-street, Cheltenham ..	10	Q.M.I.D. Hospital, April, 1946
13354	12.4.46	Coto, Margherita Helen ..	27 Lower Plenty-road, Heidelberg	10	Royal Melbourne Hospital, January, 1945
14011	13.12.46	Couper, Clarice Hill ..	c/o. Barnet Royal Esq., Goomalling, Western Australia	14 (1)	Perth Hospital, W.A., October, 1935
13890	11.10.46	Cowper, Barbara Croisdale Eversleigh ..	Women's Hospital, Carlton ..	14 (2)	Children's Hospital, W.A., February, 1942, Adult Training 6 months, September, 1942
13803	13.9.46	Crawford, Gladys Doreen ..	1 Pine-avenue, Camberwell ..	14 (1)	Perth Hospital, W.A., May, 1946
13673	9.8.46	Crichton, Ioline Elizabeth ..	Wright-street, Heathcote ..	10	Royal Melbourne Hospital, August, 1946
13589	12.7.46	Crofts, Margaret ..	Ginquam-avenue, Irymple ..	10	Mildura Hospital, April, 1946
13905	8.11.46	Crole, Gladys Pearl ..	10 Collins-street, West Preston ..	10	Prince Henry's Hospital, September, 1946
13357	12.4.46	Cropley, Gladys Mary ..	5 Ash-grove, Toorak ..	10	Prince Henry's Hospital, February, 1946
13197	15.2.46	Cross, Caroline Elsie ..	Carwarp, Vic ..	10	Mildura Base Hospital, August, 1945
13545	14.6.46	Crouch, Elizabeth Mildred ..	Kingston-avenue, Richmond, S.A.	14 (1)	Royal Adelaide Hospital, May, 1944
13674	9.8.46	Crouch, Frances Margaret ..	127 Arthur-street, Fairfield ..	10	Prince Henry's Hospital, August, 1946
13975	13.12.46	Crow, Margaret Hamilton ..	36 Monomeath-avenue, Canterbury	10	Royal Melbourne Hospital, October, 1946
13804	13.9.46	Crowe, Helen Farquhar ..	Queen Victoria Hospital, Melbourne	14 (1)	Perth Hospital, W.A., October, 1945
13199	15.2.46	Crowe, Mary ..	Campbell-street, Port Fairy ..	10	St Vincent's Hospital, September, 1945
13590	12.7.46	Cumming, Dorothy Ledward	"Waldara," Kilmore ..	10	Bendigo Hospital, March, 1946
13479	10.5.46	Cumming (née McIntosh), Eva May	38 Anne-street, McKinnon ..	14 (1)	Brisbane and South Coast Hospital, Queensland, January, 1946
13675	9.8.46	Cunneen, Aileen Mary ..	Beach-road, Port Melbourne ..	10	St. Vincent's Hospital, July, 1946
13829	22.9.46	Curran, Frank ..	112 Swansea-street, Victoria Park, Western Australia		(Provisional Registration)
13842	11.10.46	Curran, Hazel ..	North Murchison ..	10	Mooroopna Hospital, January, 1946
13198	15.2.46	Curran, Jean Margaret ..	"Curraweena," Horsham ..	10	Maryborough Hospital, March, 1945
13469	10.5.46	Currie, Clarice Edna ..	24 Mount-street, Kyogle N.S.W. ..	14 (1)	Lismore Hospital, N.S.W., March, 1944
13906	8.11.46	Curtis, Brenda June ..	44 George-street, Newtown, Geelong	10	Geelong Hospital, October, 1946
13756	13.9.46	Cusack, Cecilia Kathleen ..	24 Russell-street, Bendigo ..	10	Infectious Diseases Hospital, April, 1946
13200	15.2.46	Cutler, Margaret Nancy ..	47 Burns-street, Hamilton ..	10	Royal Melbourne Hospital, June, 1945
14012	13.12.46	Cutmore, Cora Grace ..	12 Appel-street, Highgate Hill, Brisbane, Queensland	14 (1)	Brisbane and South Coast Hospitals, January, 1946
13757	13.9.46	Cuttriss, Jane Beatrice ..	Inverloch ..	10	Queen Victoria Hospital, June, 1946
13201	15.2.46	Daly, Vera May ..	"The Hermitage," Mullengandra, via Albury, N.S.W. ..	10	Infectious Diseases Hospital, July, 1945
13358	12.4.46	Daniel, Nona ..	Riverine-street, Bairnsdale ..	10	Children's Hospital, February, 1946
13878	11.10.46	Darling, Isobel Mary ..	Queen Victoria Hospital, Melbourne	14 (1)	Perth Hospital, W.A., August, 1945
13678	9.8.46	Davidson, Jean Sarah ..	75 Orrong-road, Elsternwick ..	10	Austin Hospital, June, 1946
13202	15.2.46	Davidson, Myra Elspeth ..	"Tafola," Bruthen, Gippsland East	10	Bairnsdale Hospital, December, 1944
13976	13.12.46	Davies, Margaret Mary ..	Earle-street, Upwey ..	10	Royal Melbourne Hospital, November, 1946
13758	13.9.46	Davis, Aldyth Morrie ..	c/o, Railway station, Red Cliffs ..	10	Gippsland Hospital, Sale, August, 1946
13203	15.2.46	Davis, Marjorie Clara ..	Mt. St. Evins Hospital, Victoria-parade, Eastern Hill	10	Mooroopna Hospital, January, 1946
13591	12.7.46	Davy, Beryl June ..	Station-road, Wandin North ..	10	Prince Henry's Hospital, June, 1946
13499	14.6.46	Dawkins, Ruth Isabella ..	Children's Hospital, Carlton ..	10	Children's Hospital, December, 1945
13977	13.12.46	Deacon, Marie, Isabel ..	44 Grandview-grove, Rosanna ..	10	Royal Melbourne Hospital, January, 1946
13500	14.6.46	Deod, Dorice Annie ..	25 Campbell-street, East Coburg ..	10	Bendigo Hospital, April, 1946
13393	12.4.46	Deogan (née Connaghan) Marjorie May ..	17 Bruce-street, West Coburg ..	14 (1)	Western Suburbs Hospitals, N.S.W. August, 1932
13677	9.8.46	De Lacy, Clare Bowtell ..	180 Hare-street, Echuca ..	10	St. Vincent's Hospital, July, 1946
13678	9.8.46	Donney, Helon Margaret ..	Box 18, Wycheproof ..	10	Royal Melbourne Hospital, May, 1946
13592	12.7.46	Deppeler, Joyce Elizabeth ..	208 Creswick-road, Ballarat North	10	Ballarat Hospital, May, 1946

SUPPLEMENT TO THE REGISTER OF NURSES—continued.

No.	Date of Registration.	Name.	Address.	Section.	Hospital or Training Establishment.
13359	12.4.46	Desborough, Natalie Margaret	"Murrumbong," Healesville ..	10	Prince Henry's Hospital, February, 1946
13907	8.11.46	Deuchar, Beryl Amice ..	134 Thames-street, Box Hill ..	10	Alfred Hospital, June, 1946
13759	13.9.46	Dickens, Gloria Elizabeth ..	Yarraburb, via Dorby, Victoria ..	10	Swan Hill Hospital, January, 1946
13978	13.12.46	Dickinson, Margaret Thelma	17 Lysterville-avenue, Malvern ..	10	Alfred Hospital, March, 1946
13301	8.3.46	Diephuis, Marycke Clara Caroline	Royal Melbourne Hospital, Parkville ..	10	Royal Melbourne Hospital, October, 1945
13546	14.6.46	Dingle, Coralie	410 Marion-road, Plympton, S.A. ..	14 (1)	Royal Adelaide Hospital, S.A., March, 1946
13760	13.9.46	Doble, Valma Ethel	22 Somerville-street, Bendigo ..	10	Bendigo Base Hospital, October, 1945
13204	15.2.46	Dolman, Elsie Mary	The Gables, Sunshine	10	Bendigo Base Hospital, February, 1945
13843	11.10.46	Donald, Margaret Eleanor ..	509 Bell-street, Ballarat	10	Maryborough Hospital, August, 1946
13273	15.2.46	Donaldson (née James), Sarje Bessie	18 Victoria-road, Camberwell ..	14 (1)	Royal Adelaide Hospital, S.A., January, 1943
13908	8.11.46	Dorman, Elaine Blackwell ..	59 Hopwood-street, Echuca ..	10	Echuca Hospital, February, 1945
13419	10.5.46	Doubleday, Audrey Hunter	20 Goodall-street, Auburn	10	Prince Henry's Hospital, March, 1946
13501	14.6.46	Douds, Patricia Evelyn	66 Locksley-road, Ivanhoe	10	Mercy Hospital, November, 1945
13951	8.11.46	Dowrick, Hazel May	Trained Nurses Club, 452 Lonsdale-street, Melbourne ..	14 (1)	Fremantle Hospital, W.A., August, 1936
13502	14.6.46	Dredge, Lorna Lavinia	256 Raleigh-street, Thornbury ..	10	Mooroopna Hospital, May, 1946
13909	8.11.46	Driscoll, Amy	Outtrim, South Gippsland	10	Bohesda Hospital, October, 1946
13367	12.4.46	Duckmanton (née Kampman), Mary	54 Stephen-street, Hamilton ..	10	Hamilton Hospital, December, 1945
13844	11.10.46	Dudley, Jean	Tallygaroopna	10	Mooroopna Hospital, July, 1946
14013	13.12.46	Dundas, Eileen Maude	452 Whitehorse-road, Surrey Hills	14 (1)	Prince Henry's Hospital, N.S.W., June, 1935
13205	15.2.46	Dunn, Gwenda Mildred	"Koraleigh," Middle Creek	10	Horsham Hospital, August, 1945
13593	12.7.46	Eades, Eileen	Seaford-road, Seaford	10	Austin Hospital, June, 1946
13420	10.5.46	Easton, Gladys Violet	53 Hardwick-street, East Coburg	10	Royal Melbourne Hospital, March, 1946
13336	8.3.46	Elder (née Renkin), Winifred May	"Waverley," Private Hospital, Armstrong-street, North Ballarat	14 (1)	Stowell Hospital and Benevolent Asylum, August, 1927
13679	9.8.46	Elliott, Alice Kathleen	51A Carlisle-crescent, Oakleigh ..	10	Prince Henry's Hospital, May, 1946
13421	10.5.46	Elliott, Lillian	1 O'Connor-street, Black Rock ..	10	Bethesda Hospital, April, 1946
13547	14.6.46	Enright, Cecilia	Mt. Barker, Western Australia ..	14 (1)	Fremantle Hospital, W.A., March, 1945
13845	11.10.46	Ervin, Aileen Beryl	Private Bag, Horsham	10	Geelong Hospital, September, 1946
13594	12.7.46	Esperson, Margaret Weatherly	St. John's Vicarage, Bungaree ..	10	Royal Melbourne Hospital, March, 1946
13737	16.8.46	Evans, Geoffrey Walter	101 Ford street, Ivanhoe		(Provisional Registration)
13300	12.4.46	Ey, Amy Evelyn	Yaapaet, via Rainbow	10	Mildura Hospital, November, 1945
14014	13.12.46	Fairfax, Desma Ryan	131 Park-avenue, Wayville, S.A. ..	14 (1)	Adelaide Hospital, S.A., September, 1937
13910	8.11.46	Falconer, Betty May	Eldorada, via Wangaratta	10	Epworth Hospital, June, 1945
13274	15.2.46	Fallins, Noelene Patricia ..	St. Vincent's Maternity Hospital, Fitzroy	14 (1)	Mater Misericordiae Hospital, N.S.W., June, 1944
13911	8.11.46	Farquhar, Lorna Jean	"Essanorm," Talgarno	10	Wangaratta Base Hospital, April, 1945
13394	12.4.46	Feil, Eunice Lillian	58 Campbell-street, Toowoomba, Queensland.	14 (1)	Toowoomba Hospital, Queensland, February, 1945
13395	12.4.46	Fennell, Marjorie Alison ..	Women's Hospital, Carlton	14 (1)	Children's Hospital, W.A., May, 1945
13337	8.3.46	Ferris, Olive Coulton	"The Rectory," South West Rocks, North Coast, N.S.W.	14 (1)	Royal Alexandra Hospital, N.S.W., May, 1945
13680	9.8.46	Fewster, Meryle Frances	8 Northway, Yallourn	10	Prince Henry's Hospital, June, 1946
13302	8.3.46	Finch, Edna Maud	"Sunnyside," Euston-road, Euston, New South Wales	10	Mildura Hospital, October, 1945
13422	10.5.46	Finlayson, Florence Joan ..	State Savings Bank, Korumburra	10	Children's Hospital, October, 1945
13206	15.2.46	Finlayson, Jean	"The Pines," Colbrico, via Camper-down	10	Epworth Hospital, November, 1945
13846	11.10.46	Finnie, Helen Fleurette	85 Banksia-street, Heidelberg ..	10	Austin Hospital, September, 1946
13891	11.10.46	Fisher, Julia Mollie	Women's Hospital, Carlton	14 (2)	Children's Hospital, W.A., July, 1945. Six months Perth Hospital, Western Australia
13979	13.12.46	Fitzpatrick, Dorothy Joan ..	67 Eskdale-road, Caulfield	10	Royal Melbourne Hospital, November, 1946
13847	11.10.46	Fitzgerald, Josephine Marie	"Oakbank," Harrow	10	St. Vincent's Hospital, September, 1946
13681	9.8.46	Fitzpatrick, Patricia Veronica	"Melton Grove," via Ivanhoe, New South Wales	10	Swan Hill Hospital, October, 1945
13275	15.2.46	Flanagan, Doreen Margaret	St. Vincent's Maternity Hospital, Fitzroy	14 (1)	Mater Misericordiae Hospital, N.S.W., March, 1945
13637	12.7.46	Flanagan, Rita	Glenroy, South Australia	14 (1)	Calvary Hospital, North Adelaide, February, 1944
13396	12.4.46	Fleetwood, Ivy Nora	Women's Hospital, Carlton	14 (1)	Wellington Hospital, New Zealand, October, 1941
13761	13.9.46	Flett, Patricia Alice	Whitehorse-road, Croydon	10	Queen Victoria Hospital, August, 1946
13423	10.5.46	Flower, Josephine Wickham	Bordertown, South Australia	10	Alfred Hospital, June, 1946
13207	15.2.46	Flynn, Joan Elizabeth	165 Neerim-road, Glenhuntly	10	Infectious Diseases Hospital, December, 1945
13424	10.5.46	Fogarty, Ellen	54 Ryley-street, Wangaratta	10	St. Vincent's Hospital, April, 1943, Wangaratta Hospital, July, 1945.

SUPPLEMENT TO THE REGISTER OF NURSES—continued.

No.	Date of Registration	Name.	Address.	Section.	Hospital or Training Establishment.
13805	13.9.46	Fordyce, Ann	No. 2 Flat, 12 Centennial-avenue Chatswood, New South Wales	14 (1)	Royal Prince Alfred Hospital, N.S.W., July, 1945
13276	15.2.46	Fordyce, Marjory	17 Sebastopol-street, Marrickville, New South Wales	14 (1)	Royal Prince Alfred Hospital, N.S.W., July, 1945
13470	10.5.46	Franklin, Edna Mary	Darlington, Sturt P.O., South Australia	14 (1)	Royal Adelaide Hospital, S.A. January, 1945
13303	8.3.46	Fraser, Desiree Geradine	73 Victoria-street, Warragul	10	West Gippsland Hospital, Warragul, October, 1945
13417	10.5.46	Fraser (<i>née</i> Counsel), Jean Mary	15 Brooke-street, Northcote	10	Austin Hospital, September, 1943. Heidelberg House, April, 1943
13806	13.9.46	Fraser, Jessie Agnes	Black Mountain-road, Cooroy, Qld.	14 (1)	Brisbane and South Coast Hospitals, June, 1945
13304	8.3.46	Friend, Margaret Lynette	1064 Malvern-road, Malvern	10	Royal Melbourne Hospital, No- vember, 1945
13848	11.10.46	Fricker, Dorothy May	7 Yarra-street, Hawthorn	10	Royal Melbourne Hospital, July, 1946
13980	13.12.46	Frost, Alma Betty	Bonnie View, McButt, via Lismore	10	Geelong Hospital, November, 1946
13745	16.8.46	Fuller, John William	Elgin Hall, Elgin-avenue, Armadale	10	(Provisional Registration)
13849	11.10.46	Gale, Lois Joan	55 Corhampton-road, North Balwyn	10	Alfred Hospital, September, 1946
13503	14.6.46	Gallagher, Eileen Mary	Claremont, Attnunga, N.S.W.	10	Mercy Hospital, October, 1945
13397	12.4.46	Garland, Eileen Isabel	Mate-street, Albury, N.S.W.	14 (1)	Albury Hospital, N.S.W., August, 1945
13952	8.11.46	Garner (<i>née</i> Brown), Maie	10 Birdwood-street, East Kew	14 (1)	Devon Public Hospital, Tasmania, January, 1943
13981	13.12.46	Gedye, Leasley Lenore	4 Grange-avenue, Canterbury	10	Epworth Hospital, September, 1946
14015	13.12.46	Geeson, Dorothy Lenore	265 Albert-street, Brunswick	14 (1)	Townsville Hospital, Queensland, March, 1945
13982	13.12.46	George, Hazel	Harston P.O., via Tatura	10	Wangaratta Hospital, December, 1945
13277	15.2.46	Gibbs, Caroline Marjorie	Plunket Society, 18 Kent-terrace, Wellington, New Zealand	14 (1)	Christchurch Hospital, New Zea- land, October, 1931
13912	8.11.46	Gilmartin, Catherine Agnes	12 Calvert-street, Colac	10	Colac Hospital, May, 1946
13638	12.7.46	Gilmour, Thelma May	District Hospital Williamstown	14 (1)	Cootamundra Hospital, New South Wales, June, 1939
13983	13.12.46	Gleeson, Bridget	16 Lake-street, Ballarat	10	Ballarat Hospital, July, 1946
13913	8.11.46	Gleeson, Bridget May	Kirkstall, via Koroit	10	Mercy Hospital, October, 1946
13831	22.9.46	Gleeson, Peter Francis	335 Smith-street, Collingwood	10	(Provisional Registration)
13208	15.2.46	Gleson, Margaret Mary	Pearsondale, via Salo	10	Gippsland Hospital, Sale, De- cember, 1945
14016	13.12.46	Gogler, Audrey Ruth	Clarendon, South Australia	14 (1)	Port Pirie Hospital, S.A., Sep- tember, 1940
13209	15.2.46	Golden, Mary Jean	Houston-street, Bendigo	10	Daylesford Hospital, November, 1945
13210	15.2.46	Golder, Jean Edna	Wilma, Gippsland	10	St. Arnaud Hospital, January, 1946
13762	13.9.46	Goldsworthy, Dorothy Mary	"Lyntas," Nyarin, Victoria	10	Royal Melbourne Hospital, July, 1946
13958	8.11.46	Gordon, Auriel Grace	Box 29, Collinsville, North Qld.,	14 (1)	Bundaberg Hospital, Qld., Sep- tember, 1943
13471	10.5.46	Gordon, Jean Isabel	27 Eric-street, Cottesloe, W.A.	14 (1)	Perth Hospital, W.A., October, 1935
13211	15.2.46	Gorey, Patricia Jean	223 McKean-street, North Fitzroy	10	Austin Hospital, January, 1946
13717	9.8.46	Gorman, Kathleen Mary	476 Kooyong-road, Caulfield	14 (1)	Lewisham Hospital, N.S.W., Jan- uary, 1939
13682	9.8.46	Goss, Josephine Mary	Main-road, Hastings	10	Infectious Diseases Hospital, July, 1946
13361	12.4.46	Goulding, Alice Jane	Willow Bank, Benalla	10	Wangaratta Hospital, April, 1946
13362	12.4.46	Gow, Rube Raie	19 Maddon-street, Albert Park	10	Austin Hospital, February, 1946
13683	9.8.46	Graham, Lois May	Commercial Bank, Murtoa	10	Horsham Base Hospital, July, 1946
13763	13.9.46	Gray, Gwen Iris	Little Hampton, via Trentham	10	Prince Henry's Hospital, August, 1946
13548	14.6.46	Gray (<i>née</i> Hayward), Isabella McMillan	No. 2 Robbs-road, West Footscray	14 (1)	Mount Isa District Hospital, Qld., September, 1945
14017	13.12.46	Gray, Ruth Emily	Queen Victoria Hospital, Melbourne	14 (1)	Perth Hospital, W.A., July, 1945
13595	12.7.46	Graying, Lena	Lillimur, Victoria	10	Geelong Hospital, April, 1946
13504	14.6.46	Gregg, Olive Isa	74 Queens-road, New Lambton, Newcastle, N.S.W.	10	Mildura Hospital, July, 1945
13639	12.7.46	Griffith, Elizabeth Mary	60 Adamson-street, Wooloonein, Brisbane, Queensland	14 (1)	Brisbane and South Coast Hospital, Queensland, December, 1942
13279	15.2.46	Griffith, Margaret Mervyn	Tweddle Baby Hospital, Barkly- street, Footscray	14 (1)	Perth Hospital, W.A., April, 1942
13640	12.7.46	Grubb, Dulcie Jean	4 Canterbury-road, Toorak	14 (1)	Royal Hobart Hospital, Tasmania, August, 1941
13879	11.10.46	Gun, Helen Nancy	c/o Silvertown Tramway Co., Broken Hill, New South Wales	14 (1)	Broken Hill Hospital, N.S.W., March, 1946
13984	13.12.46	Gunn, Suzanne Pauline	13 Claremont-street, Launceston, Tasmania	10	Alfred Hospital, September, 1946
13212	15.2.46	Gunner, Florence Elizabeth	Manifold-street, Camperdown	10	Royal Melbourne Hospital, March, 1945
13596	12.7.46	Guyett, Carmel Elizabeth	Mercy Hospital, East Melbourne	10	Mercy Hospital, July, 1943
13278	15.2.46	Gwillian Lorraine	544 Newcastle-street, Perth, W.A.	14 (1)	Perth Hospital, W.A., June, 1945
13914	8.11.46	Hadden, Melba May	Konongwootong P.O., via Coleraine	10	Hamilton Hospital, May, 1946
13985	13.12.46	Hamilton, Margot Hope	138 Canterbury-road, Middle Park	10	St. Vincent's Hospital, June, 1946
13213	15.2.46	Hamilton, Raynor	188 Burwood-road, Hawthorn	10	Bethesda Hospital, September, 1945
13986	13.12.46	Hamlet, Patricia Elsie	Cobaw, via Woodend	10	Children's Hospital, April, 1946
13541	14.6.46	Hammond (<i>née</i> Bamford), Audrey Helen	7 Rae-street, Colac	10	Colac Hospital, December, 1944

SUPPLEMENT TO THE REGISTER OF NURSES—continued.

No.	Date of Registration.	Name.	Address.	Section.	Hospital or Training Establishment.
13363	12.4.46	Hancock, Evelyn Jean ..	519 North-road, Ormond ..	10	Royal Melbourne Hospital, February, 1946
13305	8.3.46	Hando, Norma Joyce ..	Infectious Diseases Hospital, Fairfield	10	Infectious Diseases Hospital, Fairfield, February, 1946
13425	10.5.46	Hann, Beryl Ada ..	Post Office, Hiata ..	10	Horsham Hospital, February, 1946
13398	12.4.46	Hanna, Jessie Margaret Anna	71 Rosoberry-avenue, Roseberry, New South Wales ..	14 (1)	Griffith Hospital, N.S.W., June, 1937
13718	9.8.46	Hansen, Gwendoline Rose ..	Women's Hospital, Carlton ..	14 (1)	Brisbane and South Coast Hospitals, Queensland, May, 1945
13549	14.6.46	Harby, Pauline Maris ..	Port Lincoln, S.A. ..	14 (1)	Calvary Hospital, North Adelaide, South Australia, December, 1945
13306	8.3.46	Hargreaves, Violet Muriel ..	Box 120, Quambatook ..	10	Bethesda Hospital, January, 1946
13307	8.3.46	Harris, Dorothy Ena ..	86 Seventh-avenue Maylands, W.A.	10	Queen Victoria Hospital, January, 1946
13214	15.2.46	Harris, Norma Ruth Annie	86 Seventh-avenue, Maylands, W.A.	10	Queen Victoria Hospital, November, 1945
13807	13.9.46	Hart, Judith Morris ..	128 Kensington-road, Toorak Gardens, Adelaide, South Australia	14 (1)	Ru Rua Hospital, South Australia, January, 1945
13215	15.2.46	Hart, Margaret Grace ..	"Barswood," Echuca ..	10	Echuca Hospital, December, 1944
13764	13.9.46	Hartvigsen (née Dare), Marion Melva	18 York-street, Mont Albert ..	10	Prince Henry's Hospital, September, 1943
14018	13.12.46	Harvey, Joan Rosemary ..	62 Auckland-street, North Perth, Western Australia	14 (1)	Perth Hospital, W.A., May, 1940
13426	10.5.46	Harvey, Kathleen Elizabeth Mary	"Studley Park," Forcett, Tasmania	10	Royal Melbourne Hospital, April, 1945
13897	8.11.46	Hatters (née Bonn), Constance Mary	Austin Hospital, Heidelberg ..	10	Austin Hospital, October, 1946
13427	10.5.46	Hawley, Sheila Agnes ..	1 Reserve-avenue, Carnegie ..	10	Infectious Diseases Hospital, February, 1946
13850	11.10.46	Hayes, Fanny Joyce ..	"Carinya," Manor ..	10	Queen Victoria Hospital, September, 1946
13216	15.2.46	Hayes, Mary Joan ..	Woodleigh Vale ..	10	St. Vincent's Hospital, April, 1945
13472	10.5.46	Haynes, Marjory Louise ..	Montville, N.C. Line, Qld	14 (1)	St. Martin's Hospital, Brisbane, December, 1946
13217	15.2.46	Headon, Joan Kathleen ..	Lava Station, Hay, N.S.W. ..	10	Bendigo Hospital, August, 1945
13218	15.2.46	Heinrich, Rita Evelyn ..	Box, 117, Rainbow ..	10	Royal Melbourne Hospital, September, 1945
13308	8.3.46	Henderson, Agnes Julia ..	c/o. Mr. W. I. Henderson, Cables and Wireless Ltd. Collins-street, Melbourne	10	Mercy Hospital, May, 1944
13765	13.9.46	Henderson, Isabel Florence ..	Willing-road, Rosedale ..	10	Gippsland Hospital, Sale, July, 1945
13916	8.11.46	Henderson, Lola Mary ..	25 Aberfeldie-street, Essendon ..	10	Geelong Hospital, October, 1946
13505	14.6.46	Hester, Florence Ethel ..	c/o. District Hospital, Colac ..	10	Colac Hospital, April, 1946
13953	8.11.46	Higgins, Margaret Ellen ..	Ford-street, Kapunda, S.A. ..	14 (1)	Calvary Hospital, S.A. December, 1945
13738	16.8.46	Hill, Donald Max ..	220 New Town-road, Hobart, Tasmania		(Provisional Registration)
13338	8.3.46	Hill, Mary Taylor ..	28 Victoria-avenue Claremont, Western Australia	14 (1)	Perth Hospital, W.A., June, 1944
13219	15.2.46	Hill, Violet Edna ..	Main-street, Mooroopna ..	10	Mooroopna Hospital, January, 1946
13684	9.8.46	Hillis, Joan ..	Box 11, P.O., Yarragon ..	10	Royal Melbourne Hospital, April, 1945
13309	8.3.46	Hilson, Nancie Reay ..	5 Milroy-street, Bendigo ..	10	Bendigo Hospital, July, 1945
14019	13.12.46	Hines, Esma Ethel ..	22 Elechana-avenue, Oakleigh ..	14 (1)	Prince Henry Hospital, N.S.W., August, 1945
13987	13.12.46	Hines, Joy Alison ..	District Hospital, St. Arnaud ..	10	St. Arnaud Hospital, April, 1946
13506	14.6.46	Hingston, Joan Monica ..	25 Eureka-street, Ballarat ..	10	Ballarat Hospital, January, 1946
13339	8.3.46	Hoar, Betty Cunningham ..	25 Denning-street, Hawthorn, S.A.	14 (1)	Adelaide Children's Hospital, December, 1944. Royal Adelaide Hospital, July, 1945
13220	15.2.46	Hoare, Mary ..	137 Kilgour-street, Geelong ..	10	Geelong Hospital, October, 1944
13550	14.6.46	Hoch, Ailsa Grant ..	Jessie McPherson Hospital, Melbourne	14 (1)	Mater Misericordiae Hospital, Rockhampton, Queensland, February, 1944
13766	13.9.46	Hodge, Kathleen Margaret ..	94 Mt. Pleasant-road, Belmont, Geelong	10	Geelong Hospital, June, 1946
13507	14.6.46	Hodges, Marion Lois ..	19 Maysia-street, Canterbury ..	10	Royal Melbourne Hospital, January, 1945
13917	8.11.46	Hogg, Dorothy Jean ..	32 Sterling-street, Footscray ..	10	Children's Hospital, April, 1946
13364	12.4.46	Hogg, Norma Maragrot ..	304 Union-road, Balwyn ..	10	Royal Melbourne Hospital, September, 1945
13710	9.8.46	Holcombe, Valerie Winifred Verona	"Lennox," Jericho, Queensland ..	14 (1)	Royal Prince Alfred Hospital, N.S.W., February, 1941
13428	10.5.46	Holland, Betty Doreen ..	Kiata P.O. via Nhill ..	10	Horsham Hospital, August, 1945
13685	9.8.46	Holman, Margaret Elizabeth Ireland	National Bank, Bairnsdale ..	10	Children's Hospital, June, 1946
13767	13.9.46	Holmes, Katharine Jeanette	"Holmwood," Humula, via Wagga, New South Wales	10	Children's Hospital, June, 1946
13808	13.9.46	Holmes, Nada Clare ..	Mayfair Cafe, Flinders-parade, Sandgate, Queensland	14 (1)	Brisbane and South Coast Hospitals, October, 1945
13366	12.4.46	Hope, Margaret Eta Georgina	59 Rennison-street, Parkdale ..	10	St. Vincent's Hospital, December, 1945
13473	10.5.46	Hopkins, Helen Marjorie ..	73 The Strand, Townsville ..	14 (1)	St. Martin's Hospital, Brisbane, Queensland, July, 1945
13474	10.5.46	Hopkins, Margaret Haig ..	73 The Strand, Townsville ..	14 (1)	St. Martin's Hospital, Brisbane, Queensland, July, 1945

SUPPLEMENT TO THE REGISTER OF NURSES—continued.

No.	Date of Registration.	Name.	Address.	Section.	Hospital or Training Establishment.
13551	14.6.46	Hopkins, Nancy	Pinery, via Owen, South Australia	14 (1)	Royal Adelaide Hospital, S.A., July, 1945
13221	15.2.46	Horton, Lesley Ruby	59 Balwyn-road, Balwyn	10	Royal Melbourne Hospital, September, 1945
13429	10.5.46	Houghton, Margaret	174 Skene-street, Warrnambool	10	Geelong Hospital, April, 1946
13280	15.2.46	Howarth, Cecily Marie Prescott	54 Milnor-crescent, Wollstonecraft, New South Wales	14 (1)	Royal Prince Alfred Hospital, New South Wales, October, 1944
13597	12.7.46	Howie, Joan Caroline	Jacaranda-street, Red Cliffs	10	Mildura Hospital, August, 1944
13366	12.4.46	Howlett, Leonie	46 McKinnon-road, McKinnon	10	Royal Melbourne Hospital, February, 1946
13739	16.8.46	Hoysted, John Douglas	33 Hart-street, Semaphore, S.A.		(Provisional Registration)
13340	8.3.46	Hudson, Helen Margaret	84 Marine-terrace, Burnie, Tasmania	14 (1)	Devon Public Hospital, Tasmania October, 1943
13552	14.6.46	Hughes, Doris Evelyn	57 Victoria-street, Kelvin-grove, Brisbane, Qld.	14 (1)	General Brisbane Hospital, Qld., November, 1938
13918	8.11.46	Hughes, Edith Claire	25 Nott-street, East Malvern	10	Alfred Hospital, April, 1946
13281	15.2.46	Hughes, Jessie Mary	434 Melbourne-road, Frankston	14 (1)	Brisbane and South Coast Hospitals, Queensland, December, 1943
13430	10.5.46	Hugo, Helen May	41 Henrietta-street Hawthorn	10	Austin Hospital, March, 1946
13720	9.8.46	Hulme, Joan Norma	Patrick-street, Laidley, Queensland	14 (1)	Ipswich Hospital, Qld., May, 1946
13598	12.7.46	Humphreys (née Taylor), Eunice Susan	Glen Ayre, McDonald-road, Lisarow, New South Wales	10	Austin Hospital, June, 1945
13282	15.2.46	Humphry, Margaret	Mundaring, Western Australia	14 (1)	Perth Hospital, W.A., October, 1944
13599	12.7.46	Hutchinson, Kathleen June	c/o. N. W. Hutchinson and Sons, 88 William-street, Melbourne	10	Royal Melbourne Hospital, May, 1946
13768	13.9.46	Hutton, Betty Elizabeth Stuart	Kawarron, via Colac	10	Colac Hospital, January, 1945
13809	13.9.46	Huxley, Nellie Beryl	117 Queen-street, Altona	14 (1)	Hawkesbury Hospital, N.S.W., December, 1942
13988	13.12.46	Hynes, Mary Agnes	9 Grindlay-street, Newport	10	Williamstown Hospital, September, 1946
13880	11.10.46	Iles, Sybil Catherine	35 Church-street, New Norfolk, Tas.	14 (1)	St. John's Hospital, Tasmania, February, 1942
13919	8.11.46	Inglis, Joan Margaret	16 Blanche-street, Elsternwick	10	Alfred Hospital, March, 1946
13600	12.7.46	Inglis, Loma Ruth	68 Campbell-road, East Hawthorn	10	Geelong Hospital, June, 1946
13989	13.12.46	Innes, Dorothy Isabel	29 Finch-street, East Malvern	10	Ararat Hospital, July, 1943
13686	9.8.46	Innes, Dorothy Margaret	11 Vincent-street, Surrey Hills	10	Mooroopna Hospital, May, 1946
13990	13.12.46	Irvine, Norma Ruth	Lake Rowan, Victoria	10	Fairfield Hospital, September, 1945
13508	14.6.46	Jackson, Barbara Agnes	2 Elin-road, Gardiner	10	Children's Hospital, February, 1945
13310	8.3.46	Jackson (née Anderson), Helen Joan	22 Keeron-street, Caulfield	10	Queen Victoria Hospital, October, 1944
13553	14.6.46	Jackson, Isabel	Women's Hospital, Carlton	14 (1)	Royal Adelaide Hospital, S.A., January, 1946
13509	14.6.46	Jackson, Marguerite Elizabeth	Queen Victoria Hospital, Melbourne	10	Queen Victoria Hospital, April, 1946
14020	13.12.46	Jackson, Sylvia Beryl	15 McDonald-street, Berala, N.S.W.	14 (1)	Goulburn Hospital, August, 1940
13341	8.3.46	Jaffer, Audrey Alice	86 Alma-road, St. Kilda	14 (1)	Port Pirie Hospital, S.A., September, 1929
13222	15.2.46	Jaffrey, Ellen Beverley	1 Spencer-street, St. Kilda	10	St. Vincent's Hospital, May, 1944
13991	13.12.46	James, Mavis Ruth	"Twin Lodge," Grahamvale, via Shepparton	10	Prince Henry's Hospital, December, 1946
13342	8.3.46	Jarrett, Enid Dorothy	Bridgewater, S.A.	14 (1)	Hutt-street Private Hospital, Adelaide, S.A.
13431	10.5.46	Jarrett (nec Glover), Margaret	Carey's Gully, S.A.	10	Port Fairy Hospital, July, 1945
13433	10.5.46	Jary, Aisla St. Clair	28-32 Paisley-street, Footscray	10	Mildura Hospital, October, 1943
13223	15.2.46	Jesse, Adora Isabella	12 Queen-street, Blackburn	10	St. Arnaud Hospital, June, 1945
13641	12.7.46	Johnson, Elsie Mavys	Repatriation Hospital, Kooyong-road, Caulfield	14 (1)	Governments Hospitals Cert., W.A., March, 1927
13224	15.2.46	Johnson, Joan Margaret	"Dneidar," Cobram	10	Alfred Hospital, October, 1945
13432	10.5.46	Johnson, Mary Gwendoline	1 Frier-avenue, Regent	10	Royal Melbourne Hospital, February, 1946
13851	11.10.46	Johnson, Patricia Marion	15 Hollywood-street, Camberwell	10	Prince Henry's Hospital, July, 1946
13881	11.10.46	Johnston, Caroline May	94 Howard-street, Barona Heights, Brisbane	14 (1)	Brisbane and South Coast Hospitals, Queensland, November, 1943
13992	13.12.46	Johnston, Patricia	"Ringwood," via Corowa, N.S.W.	10	Alfred Hospital, December, 1946
13920	8.11.46	Jones, Coryn Mary Oughten	Tongala, Victoria	10	Echuca Hospital, December, 1945
13954	8.11.46	Jones, Mary Stevenson	334 Murray-street, Hobart, Tas	14 (1)	Launceston Hospital, Tasmania March, 1942
13555	14.6.46	Jones, Melda Mary	Woolooga, Kingaroy Line, Q'land	14 (1)	Brisbane and South Coast Hospitals, December, 1942
13554	14.6.46	Jones, Joyce Mary Sophia	"Moss Vale," Goombungee, via Toowoomba, Queensland	14 (1)	Ipswich Hospital, Queensland, January, 1943
13399	12.4.46	Kappler, Peggy Irene	180 Sorrens-road, Woodville, S.A.	14 (1)	Royal Adelaide Hospital, S.A., November, 1945
13921	8.11.46	Kay, Hazel	Hill-road, Goldstream	10	Women's Hospital, January, 1945
13475	10.5.46	Keddie, June Mary	Leith, Tasmania	14 (1)	Launceston Hospital, Tasmania, June, 1944
13283	15.2.46	Kelaher, Patricia Violet	"Bobadil," Murrurundi, N.S.W.	14 (1)	Prince Henry's Hospital, N.S.W., March, 1943
13687	9.8.46	Kelly, Margaret Ferguson	221 Bluff-road, Sandringham	10	Children's Hospital, February, 1946
13769	13.9.46	Kelso, Kathleen Davidson	Wannawong, Carrulea, via Coleraine	10	Royal Melbourne Hospital, April, 1945
13810	13.9.46	Kemp, Evelyn Fitch	138 Bost-street, Devonport, Tas.	14 (1)	Royal Hobart Hospital, Tasmania, February, 1945

SUPPLEMENT TO THE REGISTER OF NURSES—continued.

No.	Date of Registration.	Name.	Address.	Section.	Hospital or Training Establishment.
13993	13.12.46	Kennedy, Agnes Florence ..	34 Erin-street, Richmond ..	10	Epworth Hospital, September, 1946
13510	14.6.46	Kennedy, Catherine ..	89 Maude-street, Shepparton ..	10	St. Vincent's Hospital, April, 1946
13225	15.2.46	Kennedy, Helon Louisa ..	183 Brighton-road, Elwood ..	10	Bendigo Hospital, March, 1945
13434	10.5.46	Kennedy, Jean Elizabeth ..	Mercy Hospital, Melbourne ..	10	Mercy Hospital, December, 1945
13915	8.11.46	Kennedy, Margaret Doroon ..	6 Fohon-street, Yarraville ..	10	Mercy Hospital, July, 1946
13770	13.9.46	Kerr, Joyce ..	C/o Mrs. M. Simcocks, "Elmbourne," Kanumbra, Vic.	10	Bendigo Hospital, February, 1946
13284	15.2.46	Kosby, Audrey Alison ..	23 Carol-crescent, Glen Iris ..	14 (1)	Prince Alfred Hospital, N.S.W., February, 1943
13811	13.9.46	Kimber, Marjorie Joan ..	4 Grenfell-street, Brighton, S.A. ..	14 (1)	Royal Adelaide Hospital, S.A., April, 1946
13922	8.11.46	Kinghorn, Frances Clare ..	Box 142, Hopetoun ..	10	Prince Henry's Hospital, Sep- tember, 1946
13368	12.4.46	Kingsley, Ruth Frances ..	Base Hospital, Mooroopna ..	10	Mooroopna Hospital, December, 1945
13688	9.8.46	Kingston, Zara Esther ..	11A Denboigh-road, Armadale ..	10	Alfred Hospital, April, 1946
13435	10.5.46	Kirby, Patricia Rita ..	43 Hastings-road, Hawthorn ..	10	Mercy Hospital, April, 1945
13369	12.4.46	Kirwan, Patricia Josephine ..	"Hopwood," Deniliquin, N.S.W. ..	10	St. Vincent's Hospital, January, 1946
13852	11.10.46	Knight, Gladys ..	C/o 54 Grange-road, Toorak ..	10	Royal Melbourne Hospital, September, 1946
13656	12.7.46	Knight, Joseph Charles ..	Repatriation Hospital, Hoidelberg		(Provisional Registration.)
13771	13.9.46	Koenig, Sophia Eveline ..	Vectis East, via Horsham ..	10	Hamilton Hospital, May, 1946
13772	13.9.46	Kornbrokke, Elsie ..	122 Albert-street, Windsor ..	10	Royal Melbourne Hospital, August, 1946
13573	14.6.46	Krake, Sylvia Olive ..	Block 45, Yelta-road, Merbein ..	10	Mildura Hospital, March, 1944
13436	10.5.46	Laird, Jean ..	3 Yeovil-road, Burwood ..	10	Austin Hospital, March, 1946
13642	12.7.46	Lang, Joan ..	Queen Victoria Hospital, Melbourne	14 (1)	North Shore Hospital, Sydney, December, 1945
13882	11.10.46	Lange, Marcia Graoe ..	Women's Hospital, Carlton ..	14 (1)	Wellington Hospital, New Zealand, February, 1946
13721	9.8.46	Lantako, Wanda Theonie ..	13 Fraser-street, Swanbourne, W.A.	14 (1)	Fremantle Hospital, W.A., June, 1944
13311	8.3.46	Larcombe, Winifred Joan ..	23 Francis-street, Belmont, Geelong	10	Geelong Hospital, October, 1945
13601	12.7.46	Larkin, Marie Coelia ..	Gellibrand-street, Queenscliff ..	10	St. Vincent's Hospital, June, 1946
13692	12.7.46	Larkings, Marjory ..	47 Docker-street, Wangaratta ..	10	Wangaratta Hospital, April, 1946
13418	10.5.46	Larsen-Disney, Louris ..	53 South-road, Brighton Beach ..	10	Alfred Hospital, March, 1946
13853	11.10.46	Lattimer, Hilda Beatrice ..	80 Bowen-street, Moonce Ponds ..	10	Royal Melbourne Hospital, August, 1946
13923	8.11.46	Lawlor, Patricia Ann ..	38 "Glenleigh," Finley, N.S.W. ..	10	St. Vincent's Hospital, July, 1946
13689	9.8.46	Lee, June Lee ..	16 Gurner-street, St. Kilda ..	10	Austin Hospital, September, 1945
13370	12.4.46	Lester, Nellie ..	Colbrook Home, Eden Hills, S.A.	10	Bethesda Hospital, January, 1946
13400	12.4.46	Lilley, Ethel Elynor ..	Agnos-street, Rockhampton, Qld ..	14 (1)	Rockhampton Hospital, Queens- land, December, 1944
13226	15.2.46	Lindholm, Morn Valda ..	"Rockgrove," via Glenrowan ..	10	Epworth Hospital, December, 1945
13511	14.6.46	Lindner, Hazel Irine ..	101 Mitford-street, Elwood ..	10	Epworth Hospital, February, 1946
13722	9.8.46	Lister, Isabella Flockhart ..	Queen Victoria Hospital, Melbourne	14 (1)	Royal Adelaide Hospital, S.A., February, 1945
13603	12.7.46	Lister, Joan Audrey ..	16 Poath-road, Hughesdale ..	10	Royal Melbourne Hospital, June, 1946
13437	10.5.46	Little, Dolphino Myra ..	C/o A. G. Little, Mumannar ..	10	Austin Hospital, March, 1946
13812	13.9.46	Littleton Catherine, Coloman Patricia	Jessie McPherson Hospital, Melb.	14 (1)	St Martin's Hospital, Queensland, October, 1939
13438	10.5.46	Llewellyn, Margaret Gwendolyn Robin	467 New-street, Elwood ..	10	St. Vincent's Hospital, January, 1946
13227	15.2.46	Lockhart Margaret Louise ..	69 Berkeley-street, Hawthorn ..	10	Children's Hospital, January, 1946
13854	11.10.46	Longmuir, Enid Joyce ..	9 Devon-street, Cheltenham ..	10	Epworth Hospital, May, 1946
13994	13.12.46	Longoni, Ellen Mary ..	22 Verdant-avenue, Toorak ..	10	Alfred Hospital, October, 1944
13773	13.9.46	Looney, Margaret Jean ..	Koraligh, via Nyah ..	10	Maryborough Hospital, March, 1946
13556	14.6.46	Lord, Emily Frances ..	Beerwah, Queensland ..	14 (1)	Diamantina Hospital, Qld., March, 1939
13855	11.10.46	Lord, Vere Marcia ..	The Boulevard, Heidelberg ..	10	Geelong Hospital, September, 1946
13557	14.6.46	Loughry, Sheila Loretto ..	36 Stone-street, Launceston, Tas.	14 (1)	Royal North Shore Hospital, N.S.W., May, 1939
13643	12.7.46	Love, Audrey Olive ..	C/o Mrs. T. J. Thompson, Mt. Tully, Stanthorpe, Queensland	14 (1)	District Hospital, Stanthorpe, Queensland, June, 1946
13228	15.2.46	Lowe, Joyce Kathleen ..	147 Anderson-street, Yarraville ..	10	Geelong Hospital, November, 1945
13723	9.8.46	Lucas, Nona Katherine ..	"Willawa," High-street, East Maitland, N.S.W.	14 (1)	Royal North Shore Hospital, Syd- ney, N.S.W., November, 1945
13439	10.5.46	Lyall, Helen Millis ..	Clivedon Mansions, East Melbourne	10	Royal Melbourne Hospital, March, 1946
13740	16.8.46	Lynch, Valentine Anthony ..	21 Napier-street, Fitzroy ..		(Provisional Registration)
13312	8.3.46	Lyon, Verna Margaret ..	Research Station, Merbein ..	10	Mildura Hospital, July, 1945
13724	9.8.46	Lyons, Josephine Margaret ..	402 Punt-road, South Yarra ..	14 (1)	Christchurch Hospital, New Zealand, December, 1941
13644	12.7.46	Lyons, Mary Ellen Philomena	4 Oaks-avenue, Cremorne, N.S.W.	14 (1)	District Hospital, Dubbo, N.S.W., May, 1935
13604	12.7.46	Maegugan, Kathleen Mary ..	16 Burns-street, Hamilton ..	10	Hamilton Hospital, May, 1946
13883	11.10.46	Maekay, Christina Dorothy ..	Queen Victoria Hospital, Melbourne	14 (1)	Brisbane and South Coast Hospitals, Queensland, December, 1945
13313	8.3.46	Mackinnon, Ewona Norma ..	Corban-road, Holland Park Bris- bane, Queensland	10	Royal Melbourne Hospital, No- vember, 1945
13229	15.2.46	Maclure, Joan Innes ..	Box 899G, G.P.O., Melbourne ..	10	Epworth Hospital, November, 1945

SUPPLEMENT TO THE REGISTER OF NURSES—*continued.*

No.	Date of Registration.	Name.	Address.	Section.	Hospital or Training Establishment.
13230	15.2.46	Macmillan, Frances Jean ..	441 Glenferrie-road, Malvern ..	10	Royal Melbourne Hospital, November, 1945
13995	13.12.46	MacPherson, Jean Heather ..	42 Kangaroo-road, Murrumbeena	10	Epworth Hospital, October, 1946
13856	11.10.46	Macpherson, Nancy ..	Aitken-street, Gisborne ..	10	Royal Melbourne Hospital, April, 1946
13512	14.6.46	MacTaggart, Dorothy Jean ..	55 Wattle Valley-road, Canterbury	10	Prince Henry's Hospital, May, 1946
13231	15.2.46	Maher, Verna Bridget ..	Piper-street, Yarrowonga ..	10	St. Vincent's Hospital, August, 1945
13645	12.7.46	Mahere, Rita Mario ..	476 Kooyong-road, Caulfield ..	14 (1)	Lewisham Hospital, N.S.W., September, 1939
13558	14.6.46	Mahon, Elizabeth Patricia ..	25 Sutherland-road, Armadale ..	14 (1)	Brisbane and South Coast Hospitals, Queensland, May, 1938
13774	13.9.46	Mahood, Marion Ramsdale ..	"Blackwood Park," Wangoom, Vic.	10	Prince Henry's Hospital, July, 1946
13690	9.8.46	Malcolm, Helen Veronica ..	78 Wattle-road, Hawthorn ..	10	St. Vincent's Hospital, October, 1945
13402	12.4.46	Maldon, Gloria Winsome ..	Margaret Coles Maternity Wing, Alfred Hospital, Prahran	14 (1)	Government Hospitals, Western Australia, November, 1942
13401	12.4.46	Manchester, Sheila Frances ..	612 St. Kilda-road, Melbourne ..	14 (1)	Goulburn Hospital, N.S.W., June, 1937
13775	13.9.46	Manley, Elizabeth Joan ..	"The Grange," Coalville ..	10	Royal Melbourne Hospital, December, 1945
14021	13.12.46	Manton, Violet Isobel ..	30 Park-avenue, Mosman, N.S.W.	14 (1)	Prince Henry's Hospital, N.S.W., July, 1938
13371	12.4.46	Marsh, Clarice Hazel ..	30 Erin-street, Richmond ..	10	Bethesda Hospital, December, 1945
13476	10.5.46	Marshall, Alma ..	B.N.H. Charlton, Queensland	14 (1)	Toowoomba Hospital, Qld., October, 1942
13646	12.7.46	Marshall, Mavis Gwendoline	Woorodlin, Kingaroy Line, Qld. ..	14 (1)	Maryborough Hospital, Qld., September, 1932
13605	12.7.46	Martin, Ada Lillian ..	"Gratton Park," Glenorchy, Vic. ..	10	Stawell Hospital, March, 1946
13314	8.3.46	Martin, Gwenneth Grace ..	Infectious Diseases Hospital, Fairfield	10	Infectious Diseases Hospital, January, 1946
13232	15.2.46	Martin, Marjorie ..	22 Murdock-street, Wangarrata ..	10	Wangarrata Hospital, August, 1944
13233	15.2.46	Massingham, Wilma Marion ..	5 Beverley-street, Glenhuntly ..	10	Alfred Hospital, January, 1946
13647	12.7.46	Matson, Irene Myrtle ..	39 Darling-street, South Yarra ..	14 (1)	Adelaide Hospital, Cert., December, 1934
13513	14.6.46	Matthews, Eva ..	"The Oaks," Banyena, via Rupan-yup	10	Stawell Hospital, March, 1946
13315	8.3.46	Matuschka, Ruth ..	"Myoora," Private Bag, Horsham	10	Horsham Hospital, January, 1946
13234	15.2.46	Maxwell, Betty Amy ..	"Booran," KcKinlay, North West Queensland	10	Bendigo Hospital, May, 1945
13924	8.11.46	May, Eunice Dorothy ..	Heywood ..	10	Warrnambool Hospital, December, 1944
13996	13.12.46	May, Margaret Vera Eleanor	Union-street, Yarram ..	10	Alfred Hospital, December, 1942
13997	13.12.46	Mayo, Thelma Doreen ..	9 Park-road, Glen Iris, S.E.6	10	Alfred Hospital, September, 1946
13998	13.12.46	Melville, Anne ..	Swan Marsh ..	10	Colac Hospital, June, 1945
13884	11.10.46	Melville, Vera Holly ..	11 George-street, East Melbourne	14 (1)	Wanganui Hospital, New Zealand, April, 1934
13372	12.4.46	Menzel, Violet May ..	Anderson-street, Dimboola ..	10	Horsham Hospital, November, 1945
13813	13.9.46	Meredith, Leslie Doris ..	12 Asquith-street, Mailsworth, S.A.	14 (1)	Memorial Hospital North Adelaide, South Australia, April, 1944
13606	12.7.46	Michael, Beatrice Hellen ..	Tarnagulla ..	10	Maryborough Hospital, November, 1945
13514	14.6.46	Millar, Muriel Jean ..	Base Hospital, Mooroopna ..	10	Mooroopna Hospital, May, 1946
13515	14.6.46	Millar, Pamela Eaton ..	37 Marshall-street, Ivanhoe ..	10	Royal Melbourne Hospital, March, 1946
13776	13.9.46	Miller, Sarah Mary ..	"Woodford," Currie King Island	10	Alfred Hospital, August, 1946
13516	14.6.46	Mills, Mary Annette ..	22 Vaulchuse-street, Clarendon, W.A.	10	St. Vincent's Hospital, May, 1946
13316	8.3.46	Mills, Nola Merle ..	44 Lemon-avenue, Mildura ..	10	Mildura Hospital, March, 1945
13725	9.8.46	Mills, Una ..	Box, 47, Tottenham, N.S.W. ..	14 (1)	Orange Hospital, N.S.W., May, 1938
13999	13.12.46	Moloney, Kathleen Teresa ..	Base Hospital, Warrnambool ..	10	Warrnambool Hospital, January, 1946
13955	8.11.46	Monaghan, Monica Kathleen	200 Glen Eira-road, Elsternwick ..	14 (1)	Royal Hobart Hospital, Tasmania, July, 1944
14022	13.12.46	Monger, Muriel ..	13 Charles-street, South Fremantle, Western Australia	14 (1)	Fremantle Hospital, W.A., March, 1946
13517	14.6.46	Montgomery, Patricia ..	Base Hospital, Horsham ..	10	Horsham Hospital, February, 1946
13403	12.4.46	Moore, Ida Lillian ..	29 Osborne-avenue, Glen Iris ..	14 (1)	Brisbane and South Coast Hospitals, Queensland, June, 1925
13343	8.3.46	Moore, Joyce Violet ..	Women's Hospital, Carlton ..	14 (1)	Government Hospitals, W.A., June, 1942
13285	15.2.46	Moran, Kathleen Mary ..	Women's Hospital, Carlton ..	14 (1)	Wakefield-street Private Hospital, Adelaide, S.A., June, 1945
13477	10.5.46	Morgan, Joan Ethel Louise ..	Commens-street, Wallerawang ..	14 (1)	Prince Henry's Hospital, N.S.W., December, 1943
13235	15.2.46	Morley, Ethel Nernette ..	6 A'Beckett-street, Kew ..	10	Children's Hospital, July, 1945
13691	9.8.46	Morris (née Munro), Elizabeth Dorothy	33 Orrong-road, Elsternwick ..	10	Royal Melbourne Hospital, February, 1944
13692	9.8.46	Morris, Margaret ..	11 Norfolk-road, Surrey Hills ..	10	Children's Hospital, July, 1946
13607	12.7.46	Moxham, Norma Helena ..	Springfield-road, Springfield, via Gosford	10	Prince Henry's Hospital, June, 1946
13236	15.2.46	Muller, Jean Alison ..	14 Chaucer-street, Hamilton ..	10	Hamilton Hospital, January, 1945
13885	11.10.46	Mumme, Lillian Annie ..	11 George-street, East Melbourne	14 (1)	Government Hospitals, W.A., December, 1929

SUPPLEMENT TO THE REGISTER OF NURSES—continued.

No.	Date of Registration.	Name.	Address.	Section.	Hospital or Training Establishment.
13344	8.3.46	Mumery, Cynthia Rose ..	124 Coghlan-road, Subiaco, W.A...	14 (1)	Perth Hospital, W.A., February, 1936
13440	10.5.46	Mund, Dorothy Clara ..	Mail Route 94, Mt. Gambier, S.A. ..	10	Geelong Hospital, April, 1946
13857	11.10.46	Murphy, Carmel Teresa ..	11 St. Columb's-street, Hawthorn	10	St. Vincent's Hospital, October, 1946
13237	15.2.46	Murphy, Nora Lillian ..	17 View-street, Canterbury ..	10	St. Vincent's Hospital, November, 1945
13608	12.7.46	Murray, Imelda Philomena ..	1609 Sturt-street, Ballarat ..	10	Ballarat Hospital, November, 1945
13238	15.2.46	McAllister, Mavis Dorothy ..	"Strathcona," Finley, N.S.W. ..	10	Epworth Hospital, January, 1946
13520	14.6.46	McBean, Gladys Amy ..	Box 118, Casterton ..	10	Queen Victoria Hospital, March, 1946
13373	12.4.46	McCabe, Patricia Elsie ..	14 Hoty-street, Hampton ..	10	Alfred Hospital, February, 1946
13239	15.2.46	McClelland, Olive Jean ..	Box 24, Nathalia ..	10	Alfred Hospital, January, 1946
13858	11.10.46	McCormack, Sarah Mavis ..	Upper Morrisons, via Elaine ..	10	Ballarat Hospital, May, 1946
13441	10.5.46	McCully, Euphemia Joyce ..	Evansford, via Talbot ..	10	Infectious Diseases Hospital, April, 1946
13478	10.5.46	McDonald, Innes Jean ..	"Woodlands," Pt. Wakefield, S.A.	14 (1)	Austin Hospital, October, 1945 Broken Hill Hospital, February, 1945. Adelaide Children's Hospital, S.A., June, 1944
13404	12.4.46	McDonald, Jessie Alexandra McIntosh ..	40 Guy-street, Corowa, N.S.W. ..	14 (1)	Corowa Hospital, N.S.W., August, 1944
13317	8.3.46	McDonald, Mary ..	96 Kilgour-street, South Geelong	10	Geelong Hospital, January, 1946
13240	15.2.46	McDonald, Mary Pearce ..	View Hill, South Kyneton ..	10	Alfred Hospital, December, 1945
13519	14.6.46	McDonald, Valerie Joan ..	38 Riverside-avenue, North Balwyn	10	Alfred Hospital, April, 1946
14023	13.12.46	McDougall, Mary ..	21 Kinkora-road, Hawthorn ..	14 (1)	Innisfail Hospital, Queensland, September, 1941
13693	9.8.46	McDougall, Thora Winifred	127 Banksia-street, Heidelberg ..	10	Infectious Diseases Hospital, July, 1946
13241	15.2.46	McDowall, Isabel Joyce ..	481 St. Kilda-road, Melbourne ..	10	Royal Melbourne Hospital, October, 1945
13442	10.5.46	McDowell, Valda Mary ..	2 Cambridge-street, Brighton East	10	Alfred Hospital, March, 1946
13925	8.11.46	McEntee, Mary, Eileen ..	49 Alexander-street, Middle Footscray	10	St. Vincent's Hospital, October, 1946
13648	12.7.46	McFadyen, Frances Jean ..	"Dysart," Tottenham, N.S.W. ..	14 (1)	Royal Alexandra Hospital for Children, N.S.W., May, 1942
13521	14.6.46	McGee, Mary Prudence ..	23 Kensington-road, South Yarra	10	St. Vincent's Hospital, March, 1946
13859	11.10.46	McGrath, Lesley Flora ..	54 Grange-road, Toorak ..	10	Royal Melbourne Hospital, September, 1946
13926	8.11.46	McGrath, Thelma Jean ..	Stony Creek, South Gippsland ..	10	Austin Hospital, April, 1946
13443	10.5.46	McIntosh, Elsie Hamilton ..	"Invercoe," Tahara, via Hamilton	10	Hamilton Hospital, December, 1945
13480	10.5.46	McIntosh, Jean Mary ..	1 May-street, Sefton Park, S.A. ..	14 (1)	Royal Adelaide Hospital, S.A., December, 1945 (Provisional Registration)
13741	16.8.46	McKay, Roderick Thomas ..	71 Reid-street, North Fitzroy ..	10	Castlemaine Hospital
13609	12.7.46	McKellar, Bessie Alexandrina	41 Crofton-street, Geelong West ..	10	Geelong Hospital, January, 1946
13694	9.8.46	McKenzie, Margaret Merrin	5th-street, Merbein ..	10	Alfred Hospital, February, 1946
13927	8.11.46	McKernan, Phyllis May ..	"Glenroyne," Balmattum East ..	10	Brisbane and South Coast Hospitals, Queensland, October, 1945
13286	15.2.46	McLeod, Una Mary ..	22A Barry-street, Northcote ..	14 (1)	St. Vincent's Hospital, June, 1946
13777	13.9.46	McLoughlan, Annie Winifred	Berriwillock, Victoria ..	10	Ballarat Hospital, July, 1944
13610	12.7.46	McMahon, Constance Margaret	126 Humfray-street North, Ballarat East	10	Epworth Hospital, March, 1946 (Provisional Registration)
13374	12.4.46	McMillan, Doreen Marianno ..	Logan-street, Mansfield ..	10	Alfred Hospital, July, 1946
13832	22.9.46	McMurray, Leonard ..	227 Esplanade East, Port Melbourne	10	Prince Henry's Hospital, October, 1946
13695	9.8.46	McNair, Ruth Moira ..	6 Farview-grove, Glen Iris ..	10	Mercy Hospital, March, 1945
13874	11.10.46	McNally, Phyllis Elizabeth Mary	39 Trafalgar-road, Camberwell ..	10	Wangaratta Hospital, August, 1944
13928	8.11.46	McNamara, Margaret Mary ..	Ocean Child Hotel, North Geelong,	10	Royal Melbourne Hospital, December, 1945
13542	14.6.46	McNickle, Violet Dawn ..	Barnawatha ..	10	Royal Melbourne Hospital, December, 1945
13242	15.2.46	McPherson, Sheila Margaret	12 Coolangatta-road, Camberwell ..	10	Mercy Hospital, September, 1946
13243	15.2.46	McQueen (née Alldis), Dora Violet	3 Randolph-street, East Hawthorn	10	Royal Adelaide Hospital, S.A., August, 1946
13860	11.10.46	McSweeney, Mary Josephine	16 Nicholson-street, Essendon ..	10	Brisbane and South Coast Hospitals, Qld, May, 1945
13559	14.6.46	Nash, Olive Huddleston ..	57 Stephen-terrace, Walkerville, S.A.	14 (1)	Bendigo Hospital, February, 1946
13649	12.7.46	Nash, Winifred Frances ..	Ellesmere-street, Yeronga, S.3., Brisbane, Queensland	14 (1)	Christchurch Hospital, New Zealand, April, 1936
13778	13.9.46	Neilson, Flora Grant ..	High-street, Heathcote ..	10	Ballarat Hospital, September, 1946
13886	11.10.46	Neilson, Isabella ..	"Ashgrove," View-street, Upwey ..	14 (1)	Epworth Hospital, July, 1946
14000	13.12.46	Nelson, Ann Margaret ..	Drestor-street, Bendigo ..	10	Royal Prince Alfred Hospital, N.S.W., August, 1943
13779	13.9.46	Nelson, Margaret Vivienne ..	21 Wattle-tree-road, Armadale ..	10	Alfred Hospital, July, 1946
13287	15.2.46	Nelson, Wealtha Jean ..	High-street, Bowraville, N.S.W. ..	14 (1)	Ovens District Hospital, Beechworth, August, 1945
13696	9.8.46	Newing, Gertrude Elizabeth	15 Bent-street, Brighton, S.5 ..	10	St. Vincent's Hospital, December, 1945
13244	15.2.46	Nichol, Dorothy Gwen ..	C/o P.O., Beechworth ..	10	Perth Hospital, W.A., June, 1942
13522	14.6.46	Nihill, Kathleen Teresa ..	Elmore ..	10	Mooroopna Hospital, April, 1946
14024	13.12.46	Noonan, Alberta Mary ..	Duffield-street, Manjimup, W.A. ..	14 (1)	Royal Melbourne Hospital, February, 1946
13444	10.5.46	Norman, Jean Evelyn ..	3 Bayview-street, Northcote ..	10	Alfred Hospital, April, 1946
13523	14.6.46	Norris, Dorothy Patricia ..	645 Burke-road, Camberwell ..	10	Alfred Hospital, April, 1946
13611	12.7.46	Nott, Valda Barbara ..	State Savings Bank, Nhill ..	10	

SUPPLEMENT TO THE REGISTER OF NURSES—continued.

No.	Date of Registration.	Name.	Address.	Section.	Hospital or Training Establishment.
13318	8.3.46	Nyulasy, Vera	32 Molesworth-street, Kew ..	10	Austin Hospital, February, 1946.
13481	10.5.46	Oakes, Kathleen Mary Ker	10 Glendene-avenue, Kew ..	14 (1)	Brisbane and South Coast Hospitals, Qld, December, 1942
13612	12.7.46	Oates, Agnes Elizabeth ..	Marong	10	Bendigo Hospital, December, 1945
13697	9.8.46	O'Beirne, Maureen Margaret	14 Alexandra-avenue, East Geelong	10	Geelong Hospital, January, 1946
13405	12.4.46	O'Brien, Marie	24 Suburan-road, South Perth, W.A.	14 (1)	Children's Hospital, Perth, W.A., June, 1939
13698	9.8.46	O'Connor, Joan Mary ..	60 Corio-street, Shepparton ..	10	St. Vincent's Hospital, July, 1946
14025	13.12.46	O'Donnell, Mary Josephine ..	92 Victoria-parade, East Melbourne	14 (1)	Government Hospitals, W.A., March, 1946
13650	12.7.46	Ogden, Frances Mary ..	18 Truro-avenue, Mitcham, S.A. ..	14 (1)	Royal Adelaide Hospital, S.A., January, 1945
13524	14.6.46	O'Keefe, Alice Irene	Private Bag, Wangaratta ..	10	St. Vincent's Hospital, June, 1946
13245	15.2.46	Oldham, Nathalie Mary Le Poer	Q.M.I.D. Hospital, Fairfield ..	10	Mildura Hospital, February, 1945
13347	8.3.46	Olds, Venetia Olive ..	West Gippsland Hospital, Warragul	14 (1)	Broken Hill Hospital, N.S.W., July, 1944
13614	12.7.46	O'Neill, Margaret Clair ..	Tongala	10	St. Vincent's Hospital, June, 1946
13525	14.6.46	O'Neill, Theresa Grace ..	Myall Plains, Berrigan, N.S.W. ..	10	St. Vincent's Hospital, January, 1946
13445	10.5.46	Oram, Elsie Elizabeth ..	"Pine Bank," Pura Pura ..	10	Stawell Hospital, March, 1946
13526	14.6.46	O'Reilly, Mary Jean ..	Wantagong-street, North Albury, N.S.W.	10	Queen Victoria Hospital, May, 1946
13446	10.5.46	Orlowski, Mirla Aileen ..	344 Queens-parade, Clifton Hill ..	10.	Infectious Diseases Hospital, March, 1946
13929	8.11.46	O'Rourke, Margaret ..	"Killigrew," Westmere ..	10	Hamilton Hospital, October, 1946
13887	11.10.46	O'Rourke, Veronica Alice ..	Federal Hotel, Collins-street, Melbourne	14 (1)	Royal South Sydney Hospital, N.S.W., January, 1929
13930	8.11.46	Ostrom, Alice	Lillimur	10	Geelong Hospital, October, 1946
13956	8.11.46	Ozanne, Theodora	Bridgeton, W.A.	14 (1)	Perth Hospital, W.A., March, 1945
13406	12.4.46	Padden, Muriel Hope ..	Evans Head, Richmond River, N.S.W.	14 (1)	Royal Alexandra Hospital for Children, N.S.W., January, 1934
13527	14.6.46	Padovani, Liliana	Infectious Diseases Hospital, Fairfield	10	Infectious Diseases Hospital, June, 1946
13780	13.9.46	Panther (née Bruce) Stella Inez	70 Canterbury-road, Toorak ..	10	Alfred Hospital, June, 1930
13615	12.7.46	Parker, Doreen Verdun ..	31 Goldsmith-street, Maryborough	10	Maryborough Hospital, May, 1946
13699	9.8.46	Parker, Hazel	"Towarra," The Rock, N.S.W. ..	10	Royal Melbourne Hospital, May, 1946
13528	14.6.46	Parsons, Rosina Florence ..	78 Pine-street, Reservoir ..	10	Queen Victoria Hospital, May, 1946
13616	12.7.46	Partridge, Patricia June ..	123 Boydon-street, Mildura ..	10	Mildura Hospital, June, 1945
13246	15.2.46	Paterson, Doris Thelma ..	Mortlake	10	Ballarat Hospital, October, 1945
13560	14.6.46	Paterson, Maureen Pollard ..	"Rawens," Baldwin-street, Ascot, N.E.2, Brisbane	14 (1)	Brisbane and South Coast Hospitals, October, 1944
13931	8.11.46	Patterson, Jean Viola ..	Belgrave Heights, via Belgrave ..	10	Prince Henry's Hospital, August, 1946
13529	14.6.46	Patton, Joyce Nellie ..	491 Sydney-road, Coburg ..	10	Austin Hospital, May, 1946
13310	8.3.46	Payne, Ida Florence ..	District Hospital, Echuca ..	10	Echuca Hospital, November, 1944
13407	12.4.46	Pearson, Mary Frances ..	Mansfield - street, Rockhampton, Queensland	14 (1)	Rockhampton Hospital, January, 1943
13781	13.9.46	Pedersen, Graco Melatic ..	18 Monaco-street, Parkdale ..	10	Children's Hospital, August, 1946
13814	13.9.46	Pelgrave, Lorraine Jean ..	86 Jervais-street, Torrensville, South Australia	14 (1)	Royal Adelaide Hospital, South Australia, March, 1945
13561	14.6.46	Pelly, Marie Clare	6 Beach-road, Darling Point, New South Wales	14 (1)	St. Vincent's Hospital, Sydney, New South Wales, May, 1943
13375	12.4.46	Pender, Elizabeth Roberts ..	1105 Malvern-road, Toorak ..	10	Children's Hospital, March, 1946
13782	13.9.46	Pentland, Carleen Rosamond Isabel Bencroft	c/o Miss F. Twomey, Jalma, Mornington	10	Royal Melbourne Hospital, February, 1946
13617	12.7.46	Perry (née Sheffield), Helen Moorsom	388 Upper Heidelberg-road, Ivanhoe	10	Austin Hospital, May, 1943
13700	9.8.46	Peters, Olive Ethelwyn ..	Arawata	10	Children's Hospital, March, 1946
13742	16.8.46	Peterson, Stanley Charles ..	67 Stevedore-street, North Williamstown	..	(Provisional Registration)
13376	12.4.46	Philip, Betty Lorraine ..	1 Macquarie-road, Toorak ..	10	Royal Melbourne Hospital, January, 1946
13247	15.2.46	Phillips, Jean Margaret ..	120 Fyans-street, Geelong ..	10	Geelong Hospital, January, 1946
13377	12.4.46	Picken, Mary Emslie ..	King's-road, Emerald	10	Royal Melbourne Hospital, February, 1946
13783	13.9.46	Pierce, Laurien Thelma ..	8 Bates-street, East Malvern ..	10	Royal Melbourne Hospital, January, 1946
13288	15.2.46	Pierce, Sheila Rose	409 Burwood-road, Hawthorn ..	14 (1)	Brisbane and South Coast Hospitals, Queensland, August, 1943
13289	15.2.46	Piesse, Pamela Margaret ..	109 Park-road, Cheltenham ..	14 (1)	Children's Hospital, Perth, Western Australia, February, 1942; Adult Training, Northam Hospital, Western Australia, March, 1943
13290	15.2.46	Pitcher, Sonia Betty ..	6 Botany-street, Randwick, New South Wales	14 (1)	Royal Prince Alfred Hospital, New South Wales, July, 1944
13957	8.11.46	Plante, Lilian Frances ..	85 Banksia-street, Heidelberg ..	14 (1)	Tamworth Hospital, New South Wales, December, 1939
13932	8.11.46	Plummer, Phyllis Esme ..	15 Rosedale-avenue, Glenhuntly ..	10	Royal Melbourne Hospital, October, 1946
13861	11.10.46	Plunkett, Mary Eloise ..	219 Church-street, Middle Brighton	10	St. Vincent's Hospital, August, 1946
13482	10.5.46	Pont, Valerie Mary ..	District Hospital, Campdown ..	14 (1)	Certificate of Registration, Newcastle Hospital, New South Wales, November, 1944
14001	13.12.46	Potter, Elsie Ivitt	99 Banyan-street, Warrnambool ..	10	Warrnambool Hospital, October 1946

SUPPLEMENT TO THE REGISTER OF NURSES—continued.

No.	Date of Registration.	Name.	Address.	Section.	Hospital or Training Establishment.
14026	13.12.46	Price, Iris Caroline ..	Box 92, Waikerie, South Australia	14 (1)	Royal Adelaide Hospital, South Australia, January, 1945
13320	8.3.46	Price, Patricia Mary ..	14 Langford-street, Surrey Hills ..	10	St. Vincent's Hospital, January, 1946
13530	14.6.46	Pritchard, Betty Lorraine ..	Hogan-street, Tatura ..	10	Mooroopna Hospital, January, 1946
13933	8.11.46	Proctor, Hilda May ..	179 Kangaroo-road, Oakleigh ..	10	Royal Melbourne Hospital, September, 1946
13651	12.7.46	Pulfer, Eve Sigrid ..	606 St. Kilda-road, Melbourne ..	14 (1)	St. George's Hospital, Perth, Western Australia, February, 1946
13815	13.9.46	Purry, Elsie Audrey ..	33 Burlington-street, East Brisbane, Queensland	14 (1)	Brisbane and South Coast Hospitals, Queensland, May, 1945
13447	10.5.46	Pyers, Margaret Anne ..	21 Oxley-road, Hawthorn ..	10	Infectious Diseases Hospital, February, 1946
14027	13.12.46	Quinn, Margaret Mary ..	100 Kitchener-road, Milford. Auckland, New Zealand	14 (1)	Westland Hospital, New Zealand, May, 1942
13784	13.9.46	Quirk, Mary Patricia ..	20 Princess-street, Kow ..	10	Prince Henry's Hospital, August, 1946
13248	15.2.46	Rae, Beatrice May ..	5 McIvor-road, Bendigo ..	10	Bendigo Hospital, January, 1945
13531	14.6.46	Rahner, Lorna Martha ..	32 Codrington-street, Sandringham	10	Royal Melbourne Hospital, March, 1946
13345	8.3.46	Ramm, Melva Joyce ..	Mannum, South Australia ..	14 (1)	Royal Adelaide Hospital, South Australia, September, 1944
13378	12.4.46	Raphael, Ursula Norma ..	84 Glass-street, Essendon ..	10	St. Vincent's Hospital, October, 1945
13652	12.7.46	Raymond, Patricia Olive ..	391 Wickham-terrace, Brisbane ..	14 (1)	Mater Misericordiarum Hospital, Queensland, March, 1944
13321	8.3.46	Road, Joan ..	4 Stodart-street, Camberwell ..	10	Royal Melbourne Hospital, January, 1946
13862	11.10.46	Read, Phyllis Marjorie ..	Seville ..	10	Children's Hospital, October, 1946
13483	10.5.46	Redpath, Elizabeth Merle ..	Women's Hospital, Carlton ..	14 (1)	Royal Adelaide Hospital, South Australia, February, 1946
13448	10.5.46	Reed, Alma Yvonne ..	34 Fairview-street, Newtown, Geelong	10	Geelong Hospital, April, 1946
13833	11.10.46	Reeves, June Edith ..	135 Beveridge-street, Swan Hill ..	10	Royal Melbourne Hospital, October, 1945
13562	14.6.46	Reid, Ada Mary ..	"Killamont," Molong, New South Wales	14 (1)	Ryde District Hospital, New South Wales, January, 1941
13785	13.9.46	Reid, Bossie Ethel ..	Bartoli-street, Boort ..	10	Bendigo Hospital, May, 1946
13249	15.2.46	Reid, Catherine Elizabeth ..	George-street, Mafra ..	10	Gippsland Hospital, Sale, January, 1930
13250	15.2.46	Reid, Gweneth Merylo ..	"Oratava," Hoyfield ..	10	Gippsland Hospital, Sale, June, 1945
13934	8.11.46	Reid, Kathleen Margaret ..	"Mallanbool," River-road, Murchison North	10	Mooroopna Hospital, May, 1946
13816	13.9.46	Reid, Robie Alison ..	University, Mildura Branch, Victoria	14 (1)	Tannachy Hospital, Queensland, March, 1923
13449	10.5.46	Reilly, Mary ..	"Rehill," Southern Cross, via Koroit	10	St. Vincent's Hospital, August, 1945
13888	11.10.46	Reynolds, Laune Helen ..	Hotel Cottesloe, Cottesloe, Western Australia	14 (1)	Fremantle Hospital, Western Australia, May, 1946
13864	11.10.46	Reynolds, Mary Agnes ..	2 Holroyd Court, East St. Kilda	10	St. Vincent's Hospital, August, 1946
14002	13.12.46	Rice, Dorothy Clair ..	5 Mate-street, Middle Brighton ..	10	St. Vincent's Hospital, September, 1946
13379	12.4.46	Richards, Enid May ..	6 Oxford-street, Box Hill ..	10	Epworth Hospital, February, 1946
13618	12.7.46	Richardson, Margaret Cooper ..	"Moree," Wallindue, via Ballarat	10	Royal Melbourne Hospital, February, 1945
13935	8.11.46	Richardson, Rosanne Faith ..	5 Harwood-street, Elwood ..	10	Royal Melbourne Hospital, March, 1946
13865	11.10.46	Rickotts, Rubena Kathleen ..	25 Wakefield-street, Glenferrie ..	10	Children's Hospital, August, 1946
13484	10.5.46	Riddell, Gwenda Elaine ..	46 George-street, East Melbourne	14 (1)	Brisbane and South Coast Hospitals, Queensland, April, 1933
13563	14.6.46	Riseley, Lila Wilhelmina ..	953 Punt-road, South Yarra ..	14 (1)	Royal Hobart Hospital, Tasmania, March, 1940
13866	11.10.46	Roberts, Jean Margaret ..	46 Barkly-avenue, Malvern ..	10	Prince Henry's Hospital, October, 1946
13380	12.4.46	Robertson, Dorothy Helen ..	7 View-street, Canterbury ..	10	Epworth Hospital, October, 1945
13619	12.7.46	Robertson, Nancy Effie ..	Jarvis-avenue, Croydon ..	10	Royal Melbourne Hospital, May, 1946
13564	14.6.46	Robinson, Jean Alice ..	41 Margaret-street, Moonee Ponds	14 (1)	St. Helon's Hospital, Brisbane, Queensland
13726	9.8.46	Robinson, Jean Burnice ..	251 Mannion-street, Cottesloe, Western Australia	14 (1)	Government Hospitals, Western Australia, April, 1946
13381	12.4.46	Robinson, Nora Winifred ..	4 Queen's-street, West Coburg ..	10	Daylesford Hospital, November, 1945
13251	15.2.46	Roder, Floronco Sadie ..	Union Bank, Colac ..	10	Alfred Hospital, February, 1945
13252	15.2.46	Rodriguez, Maria Concetta ..	54 Fitzgibbon-street, Parkville ..	10	St. Vincent's Hospital, February, 1946
13620	12.7.46	Roo, Nancy Rinda ..	Pine Lodge, Victoria ..	10	Mooroopna Hospital, May, 1946
13253	15.2.46	Rogers, Jean Dorothy ..	South-terrace, Mt. Gambier, South Australia	10	Austin Hospital, January, 1946
13621	12.7.46	Rogers, Joan Audrey ..	District Hospital, St. Arnaud ..	10	St. Arnaud Hospital, January, 1946
13291	15.2.46	Rohrlach, Linda Laura ..	Box 50, Kimba, South Australia	14 (1)	Royal Adelaide Hospital, South Australia, January, 1941
13867	11.10.46	Ronalds, Esther Norma ..	Gormandale, via Traralgon ..	10	Sale Hospital, March, 1946
14003	13.12.46	Ross, Flora Joan ..	"Glencoe," Berwicklock ..	10	Children's Hospital, July, 1946
13622	12.7.46	Ross, Margaret Mary ..	Ball-street, Penshurst ..	10	Hamilton Hospital, April, 1946
13450	10.5.46	Roussy, Gloria Marie ..	195 Melbourne-road, Williamstown	10	Williamstown Hospital, May, 1946

SUPPLEMENT TO THE REGISTER OF NURSES—*continued.*

No.	Date of Registration.	Name.	Address.	Section.	Hospital or Training Establishment.
13451	10.5.46	Rowe, Joyce Audrey ..	Private Bag, "Squerries," Coleraine	10	Geelong Hospital, March, 1946
14028	13.12.46	Rudd, Beryl Reeves ..	St. Andrew's Hospital, Cathedral-place, East Melbourne	14 (1)	Bowen Hospital, Queensland, September, 1946
13623	12.7.46	Rudd, Jean Mary ..	75 Strand, Newport ..	10	St. Vincent's Hospital, December, 1945
13565	14.6.46	Rule, Rosina Mary ..	Austin Hospital, Heidelberg ..	14 (1)	Coast Hospital, Sydney, New South Wales, July, 1932
13817	13.9.46	Ruppin, Charlotte Gertrud ..	770 Dunstable-road, Luton, Bedfordshire, England	14 (1)	Radcliffe Infirmary, Oxford, England, November, 1941
13322	8.3.46	Russell, Adele Alice ..	Hendersyde, via Tatura ..	10	Mooroopna Hospital, January, 1946
13566	14.6.46	Ryan, Alice Josephine ..	c/o Mrs. R. Corkhill, "Riverview," Canberra, Australian Capital Territory	14 (1)	Canberra Hospital, August, 1944
14029	13.12.46	Ryan, Eileen Pearl ..	St. George's Hospital, Cotham-road, Kew	14 (1)	Diamantina Hospital, Queensland, September, 1941
13452	10.5.46	Ryan, Margaret Patricia ..	"Elora," Cobram East ..	10	Wangaratta Hospital, October, 1945
13323	8.3.46	Safstrom, Marie ..	81 Foster-street, Sale ..	10	Gippsland Hospital, Sale, February, 1946
13408	12.4.46	Salmon, Valda Maurine ..	1 Bowillia-avenue, Lower Mitcham, South Australia	14 (1)	Calvary Hospital, South Australia, September, 1945
13936	8.11.46	Sanders, Winifred Mary ..	Yanso ..	10	Horsham Hospital, October, 1946
13937	8.11.46	Savage, Iris Katherine ..	47 Oxley-road, Hawthorn ..	10	Royal Melbourne Hospital, March, 1946
13727	9.8.46	Savage, Joyce Gwynneth ..	Clifton-street, Kelmscott, Western Australia	14 (1)	Government Hospitals, Western Australia, April, 1946
13324	8.3.46	Schlig, Dulcie May ..	Tinamba, Gippsland ..	10	Epworth Hospital, December, 1945
13383	12.4.46	Schlig, Gladys June ..	Tinamba, Gippsland ..	10	Epworth Hospital, April, 1946
13382	12.4.46	Schneider, Marie Karla ..	Narrandera, New South Wales ..	10	Royal Melbourne Hospital, January, 1945
13567	14.6.46	Scott, Elizabeth Sybil ..	207 Coppin-street, Richmond ..	14 (1)	Perth Hospital, W.A. June, 1945
14030	13.12.46	Scott, Robina Jean Anne ..	Great Eastern-highway, South Guildford, Western Australia	14 (1)	Perth Hospital, W.A., September, 1945
14031	13.12.46	Scrivener, Ruth Hessie ..	"Taihoa", Mt. Irvine, N.S.W. ..	14 (1)	Prince Henry Hospital, New South Wales, August, 1940
13384	12.4.46	Sedgley, Phoebe Mildred ..	Pevenist, via Warrnambool ..	10	Warrnambool Hospital, September, 1945
13786	13.9.46	Seymour, Gladys Veronica ..	Convent of Mercy, Mornington ..	10	Mercy Hospital, March, 1946
13385	12.4.46	Shanahan, Ellen ..	46 Daly-street, West Brunswick ..	10	St. Vincent's Hospital, December, 1945
13820	13.9.46	Shannon, Fanny Cynthia ..	23 Sturdee-street, Linden Park, Adelaide, South Australia	14 (1)	Ru Rua Hospital, S.A., March 1935
13868	11.10.46	Sharp, Belinda Audrey ..	"Glencoe," Tintaldon, Upper Murray	10	Epworth Hospital, July, 1946
13728	9.8.46	Sharp, Bethol Rose ..	73 Queens-road, St. Kilda ..	14 (1)	Perth Hospital, W.A., May, 1944
13794	13.9.46	Shaw (née Vagg), Marjorie Patricia	13 Crimea-street, North Caulfield ..	10	Prince Henry's Hospital, September 1946
13787	13.9.46	Shea, Cora Eulalie ..	District Hospital, Ararat ..	10	Ararat Hospital, January, 1946
13532	14.6.46	Sheehan, Cora Nancy ..	"La Motte," Red Hill ..	10	Alfred Hospital, December 1945
13818	13.9.46	Shepherd (née Hanson), Nita Ruth	101 Victoria-street, North Williamtown	14 (1)	Launceston Hospital, Tasmania, December, 1945
13453	10.5.46	Sherlock, Joyce Mary ..	88 Commercial-road, Prahran ..	10	St. Vincent's Hospital, February 1946
13788	13.9.46	Shirley, Joan Elizabeth ..	Box 35, Culgoa ..	10	St. Vincent's Hospital, June, 1946
13701	9.8.46	Shirra, Margaret ..	104 Aberdeen-street, Geelong ..	10	Prince Henry's Hospital, July, 1946
13325	8.3.46	Siddons, Lorna Beatrice ..	382 Upper Heidelberg-road, Ivanhoe	10	Royal Melbourne Hospital, December, 1945
14032	13.12.46	Simpson, Wilma ..	"The Grove," Pangin, W.A. ..	14 (1)	Fremantle Hospital, W.A., February, 1946
13624	12.7.46	Skene, Kathleen Elizabeth ..	c/o. Mr. T. Skene, Mt. Gambier, South Australia	10	Bendigo Hospital, May, 1946
13743	16.8.46	Skewes, Glenleigh Bertie William	Buninyong, via Ballarat ..		(Provisional Registration)
13819	13.9.46	Smallwood, Hilda Margaret	117 Queen-street, Altona ..	14 (1)	Hawkesbury Hospital, N.S.W., June, 1945
14033	13.12.46	Smith, Audrey Ellen ..	c/o. 206 Walsh-street, South Yarra	14 (2)	Children's Hospital, W.A., March, 1946. Perth Hospital, 6 months, Adult
13702	9.8.46	Smith, Gweneth McConachy	Stonehaven, via Geelong ..	10	Geelong Hospital, August, 1946
13533	14.6.46	Smith, Joyce Rose ..	Main-street, Rutherglen ..	10	St. Vincent's Hospital, May, 1946
13889	11.10.46	Smith, Kathleen Ida ..	Queen Victoria Hospital, Melbourne	14 (1)	Bowen Hospital, Qld., March, '46
13485	10.5.46	Smith, Margaret Joan ..	Box 45, Quorn, South Australia ..	14 (1)	Royal Adelaide Hospital, South Australia, December, 1944
13254	15.2.46	Smith, Nancy Jean ..	210 Carpenter-street, Bendigo ..	10	Bendigo Hospital, December, 1944
13703	9.8.46	Smith, Rhoda Mabel ..	210 Carpenter-street, Bendigo ..	10	Bendigo Hospital, June, 1946
13534	14.6.46	Smith, Ursula Jane ..	48 Station-place, Sunshine ..	10	Mooroopna Hospital, May, 1946
13386	12.4.46	Snow, Valerie Anne ..	2 Olive-street, Launceston, Tasmania	10	Alfred Hospital, January, 1946
13346	8.3.46	Sommerville, Eva Alison ..	108 Second-avenue, Joslin, S.A. ..	14 (1)	Royal Adelaide Hospital, S.A., June, 1945
13625	12.7.46	Spencer, Sylvia May ..	10 Fern-street, Portland ..	10	Hamilton Hospital, September, 1945
13295	15.2.46	Spry, Winifred ..	Gippsland Base Hospital, Sale ..	14 (2)	Adelaide Children's Hospital, S.A., September, 1942
13789	13.9.46	Stainsby, Shirley Joy ..	1 Menzies-avenue, Brighton Beach	10	Children's Hospital, July, 1946
13626	12.7.46	Stait, Margaret Joan ..	36 Grout-street, Hampton ..	10	Children's Hospital, June, 1946
13869	11.10.46	Stanbridge, Marjorie Helen ..	7 Hamilton-street, West Brunswick	10	Infectious Diseases Hospital, August, 1946
13627	12.7.46	Starick, Lenora Gertrud ..	Ellerman-street, Dimboola ..	10	Geelong Hospital, May, 1946

SUPPLEMENT TO THE REGISTER OF NURSES—*continued.*

No.	Date of Registration.	Name.	Address.	Section.	Hospital or Training Establishment.
13870	11.10.46	Stephens, Joan Margaret Elizabeth	65 Riversdale-road, Hawthorn ..	10	Royal Melbourne Hospital, February, 1945
13704	9.8.46	Stephenson, Frances Sarah ..	Forest-road, Orbost	10	Gippsland Hospital, Sale, October, 1943
13790	13.9.46	Sterling, Margaret Jean ..	"Lumesh," Tatura	10	Mooroopna Hospital, May, 1946
13255	15.2.46	Stewart, Georgina Lily ..	Box 12, Rushworth	10	Bendigo Hospital, August, 1945
13409	12.4.46	Stewart, Margaret McGregor	246 Young-street, North Unley, South Australia	14 (1)	Parkside Mental Hospital, January, 1942
13705	9.8.46	Stockwell, Margaret Emma	Alberton, Yarram	10	Children's Hospital, September, 1939
13256	15.2.46	Stone, Barbara Joyce ..	Box 12, Cohuna	10	Alfred Hospital, July, 1945
13568	14.6.46	Stone, Ethel Mildred ..	11 Josephine-grove, East Preston	14 (1)	Launceston Hospital, Tasmania, March, 1945
13938	8.11.46	Stoney, Patricia Elizabeth ..	12 Palace-street, Ashfield, New South Wales	10	St. Vincent's Hospital, October, 1946
13798	13.9.46	Storoy, Mavis Isobel ..	34 Glencairn-avenue, Coburg ..	10	Women's Hospital, June, 1946
13535	14.6.46	Strachan, Henrietta Jean Helen	17 Sharpe-street, Regent ..	10	Bendigo Hospital, May, 1946
13939	8.11.46	Sullivan, Alice Mary ..	Nettle-street, Bendigo	10	St. Vincent's Hospital, October, 1946
13536	14.6.46	Sullivan, Edwina Patricia ..	19 Bayles-street, West Brunswick	10	St. Vincent's Hospital, January, 1946
13940	8.11.46	Surman, Norma Elizabeth ..	1 Webster-street, Ballarat ..	10	Ballarat Hospital, April, 1946
13257	15.2.46	Swan, Edna May ..	Pimpinio	10	Horsham Hospital, November, 1945
13821	13.9.46	Swanson, Mavis Maureen ..	135 Elphin-road, Launceston ..	14 (1)	Launceston Hospital, Tasmania, June, 1945
13941	8.11.46	Tadgell, Linda Emily ..	37 Elizabeth-street, Malvern ..	10	Alfred Hospital, November, 1945
13628	12.7.46	Tait, Nancy Elizabeth ..	110 Riversdale-road, Camberwell ..	10	Royal Melbourne Hospital, April, 1946
13326	8.3.46	Tapp, Margaret Cecil ..	Bellbrae, via Geelong	10	Geelong Hospital, January, 1946
13258	15.2.46	Tattersall, Grace Eileen ..	Children's Hospital, Carlton ..	10	Children's Hospital, December, 1945
13960	8.11.46	Taylor, Ellen Stace ..	3 Davidson-street, South Yarra ..	14 (2)	Royal Alexandra Hospital for Children, New South Wales, September, 1943
13706	9.8.46	Tehan, Eileen Veronica ..	"Avondale" Private Bag, Rochester	10	Bendigo Hospital, October, 1945
13259	13.2.46	Telfer, Lillian May ..	257 Richardson-street, Middle Park	10	Queen Victoria Hospital, August, 1945
13327	8.3.46	Telfer, Margaret Elizabeth ..	"Hill View," Walpa, Gippsland ..	10	Royal Melbourne Hospital, December, 1945
13537	14.6.46	Thomas, Mary Florence ..	82 Stoke-street, Port Melbourne ..	10	Queen Victoria Hospital, January, 1946
13454	10.5.46	Thomas, Vivian Joyce ..	"Wyangan," Yarra-road, Croydon	10	Royal Melbourne Hospital, February, 1946
13791	13.9.46	Thompson, Beryl Louise ..	34 Barrington-avenue, Kew ..	10	Prince Henry's Hospital, August, 1946
13629	12.7.46	Thompson, Margaret Mary ..	Pine Ridge, Carron	10	Warracknabeal Hospital, April, 1946
13486	10.5.46	Thomsen, Marjorie Jean ..	"Kurmula" Base Hospital, Bendigo	14 (1)	Herbertson Hospital, Queensland, February, 1946
13410	12.4.46	Thornhill, Margaret Harvie ..	Mildura Hospital	14 (1)	Albury Hospital, February, 1944
13653	12.7.46	Thorp, Claudia Lena ..	Stanley, North-west Coast, Tasmania	14 (1)	Launceston Hospital, Tasmania, October, 1941
13455	10.5.46	Tilden, Mary Holono ..	"Hillgrove," Coolamon-road, via Wagga, New South Wales	10	Morcy Hospital, December, 1945
13456	10.5.46	Todd, Elizabeth Laughlin ..	19 Fitzroy-street, Geelong West ..	10	Ballarat Hospital, February, 1943, to March, 1946
13792	13.9.46	Tranter, Elizabeth Rose ..	Mt. Carmel, via Heathcote ..	10	Bendigo Hospital, January, 1946
13260	15.2.46	Troble, Norma Mary ..	Lawrence-street, Dunolly ..	10	Dunolly Hospital, August, 1945
13292	15.2.46	Trevithick, Laurel Melva Carthew	Infectious Diseases Hospital, Fairfield	14 (1)	Hutt-street Private Hospital, Adelaide, South Australia, March, 1943
14004	13.12.46	Trigg, Hilda Mavis ..	Box 91, Ouyen	10	Infectious Diseases Hospital, July, 1946
13328	8.3.46	Tucker, Alma Myrtle ..	131 Park-street, Moonee Ponds ..	10	Queen Victoria Hospital, September, 1945
13707	9.8.46	Tully, Greta Dawn ..	Serviceton	10	Castlemaine Hospital, May, 1946
13457	10.5.46	Turland, Marjorie Jean ..	Base Hospital, Warrnambool ..	10	Warrnambool Hospital, April, 1946
13708	9.8.46	Turnbull, Ada May ..	Infectious Diseases Hospital, Fairfield	10	Infectious Diseases Hospital, Fairfield, May, 1946
13538	14.6.46	Turner, Elizabeth Warren ..	276 St. Kilda-street, Middle Brighton	10	Children's Hospital, January, 1946
13871	11.10.46	Turner, Jeanne Marjorie ..	Lewis-road, Wandin Yallock ..	10	Children's Hospital, October, 1946
13942	8.11.46	Tyler, Romola ..	The Vicarage, Rosedale ..	10	Alfred Hospital, April, 1946
13793	13.9.46	Upton, Enid ..	66 Park-crescent, Caulfield ..	10	Alfred Hospital, July, 1946
13569	14.6.46	Valentino-Browne, Disda Madolino	Women's Hospital, Carlton ..	14 (1)	Royal Alexandra Hospital, New South Wales, April, 1942
13261	15.2.46	Vander Wey, Wikke, Margaretha	Box 93, Shepparton	10	Mooroopna Hospital, January, 1946
13329	8.3.46	Verrych-Fleetwood, Shirley Elizabeth	Box 12, Merbein	10	Mildura Hospital, December, 1945
13570	14.6.46	Vickers (né Browne), Vivian Margaret	67 Cookson-street, Camberwell ..	14 (1)	Rachel Forster Hospital, New South Wales, March, 1945
13729	9.8.46	Walker, Jean Lauder ..	17 Denison-street, Garden Hill, Wollongong, New South Wales	14 (1)	Wollongong Hospital, New South Wales, December, 1933
13709	9.8.46	Wall, Mabel Grace ..	26 Railway-avenue, Caulfield ..	10	Children's Hospital, February, 1946
13458	10.5.46	Wallace, Daisy Emily ..	Toesdale, Victoria	10	Colae Hospital, December, 1945
13872	11.10.46	Walter, Hazel Jean ..	McLean-street, Bairnsdale ..	10	Bairnsdale Hospital, July, 1946
13539	14.6.46	Walsh, Doreen Nollie ..	Box 46, Rainbow	10	West Gippsland Hospital, May, 1943

SUPPLEMENT TO THE REGISTER OF NURSES—*continued.*

No.	Date of Registration.	Name.	Address.	Section.	Hospital or Training Establishment.
13795	13.9.46	Warburton, Barbara Teresa	855 Hampton-street, Brighton ..	10	Infectious Diseases Hospital, June, 1946
13943	8.11.46	Ward, Shirley Elizabeth ..	"Awatea," Markwood, Victoria ..	10	Wangaratta Hospital, October, 1945
13330	8.3.46	Ware, Ann Young ..	Lower Gellibrand ..	10	Warrnambool Hospital, October, 1945
13540	14.6.46	Ware, Rose Pearl ..	Geelong Hospital ..	10	Geelong Hospital, May, 1946
14005	13.12.46	Warr, Dorothea Mary ..	10 William-street, North Brighton ..	10	Children's Hospital, November, 1946
13944	8.11.46	Warren, Betty Alexina Margaret	High-street, Eaglehawk, via Bendigo ..	10	Bendigo Hospital, July, 1945
13822	13.9.46	Warren, Margaret Emma Brough	129 Darling Point-road, Edgecliffe, Sydney, New South Wales ..	14 (1)	St. Helen's Hospital, Queensland, August, 1940
13730	9.8.46	Watt, Letitia Mary ..	Queen Victoria Hospital, Melbourne ..	14 (1)	Royal North Shore Hospital, New South Wales, November, 1945
13459	10.5.46	Watts, Betty Evelyn ..	1443 High-street, East Malvern ..	10	Horsham Hospital, January, 1946
13411	12.4.46	Watts (née Yorath), Winifred Merva	19 Banchory-street, Essendon ..	14 (1)	Perth Hospital, Western Australia, May, 1943
13710	9.8.46	Webb, Winifred Betty ..	Banyena ..	10	St. Arnaud Hospital, March, 1946
13460	10.5.46	Weichard, Patricia Helen ..	31 Crichton-avenue, Port Melbourne ..	10	St. Vincent's Hospital, January, 1946
13711	9.8.46	Weightman, Joan ..	1363 Dandenong-road, Oakleigh ..	10	Alfred Hospital, June, 1946
13823	13.9.46	Weis, Olive May ..	10 Kent-street, Oakley, Queensland ..	14 (1)	Brisbane and South Coast Hospitals, Queensland, August, 1945
13796	13.9.46	Wells, Mary ..	488 Wilson-street, Albury, New South Wales ..	10	Wangaratta Hospital, June, 1945
13262	15.2.46	West, Ruth Alys ..	17 Clifford-road, Hawthorn ..	10	Geelong Hospital, November, 1945
13630	12.7.46	West, Shirley Patricia ..	38 Coris-street, Shapparton ..	10	St. Vincent's Hospital, April, 1946
13841	11.10.46	Westcott (née Craig), Yvonne	16 Belmont-avenue, Glen Iris ..	10	Royal Melbourne Hospital, September, 1946
13873	11.10.46	Weston, Beryl Joyce ..	Murrabit P.O., via Kerang ..	10	Swan Hill Hospital, July, 1945
13487	10.5.46	Wetherall, Margaret Elizabeth Joyce	Moorook, River Murray, South Australia ..	14 (1)	Royal Adelaide Hospital, South Australia, January, 1945
13488	10.5.46	Wheatland (née Tucker), Mabel Maxwell Davis	41 Margaret-street, Moonee Ponds ..	14 (1)	St. Helen's Hospital, Brisbane, Queensland, March, 1945
13945	8.11.46	Whitbourne, Mary Alison ..	"Wedgwood," Walpa, P.O., via Lindenow ..	10	Alfred Hospital, July, 1946
13572	14.6.46	Whithead, Margaret Ethel ..	521 Inkerman-road, East St. Kilda ..	14 (1)	Perth Hospital, Western Australia, July, 1929
13387	12.4.46	Whiteside, Ruby May ..	41 Victoria-street, East Brunswick ..	10	Bethesda Hospital, February, 1946
13946	8.11.46	Whitfield Margaret Alison ..	Wentworth, New South Wales ..	10	Mildura Hospital, September, 1945
13631	12.7.46	Wicking, Mary Rita ..	5 Murray-street, Warrnambool ..	10	Gippsland Hospital, Sale, October, 1945
13632	12.7.46	Wilkins (née Mackintosh), Helen Isobel	4 Green-street, East St. Kilda ..	10	Prince Henry's Hospital, January, 1944
13633	12.7.46	Williams, Davona Margery ..	4 Courtis-street, North Williamstown ..	10	Prince Henry's Hospital, July, 1946
13824	13.9.46	Williams, Dorothy Joan ..	Women's Hospital, Carlton ..	14 (1)	Calvary Hospital, South Australia, September, 1945
13825	13.9.46	Williams, Dorothy May ..	15 Drummond-street, Oakleigh ..	14 (1)	Balmain Hospital, New South Wales, November, 1932
13712	9.8.46	Williams, Edna Cocily ..	9 Grant-street, East Brighton ..	10	Infectious Diseases Hospital, May, 1946
13263	15.2.46	Williams, Ethel Merle ..	P.O., Mologa ..	10	Austin Hospital, May, 1945
13797	13.9.46	Williams, Joan Mary ..	488 Wilson-street, Albury, New South Wales ..	10	Wangaratta Hospital, August, 1945
13948	8.11.46	Williams, Margaret Agnes ..	32 Bull-street, Castlemaine ..	10	Bendigo Hospital, September, 1946
13947	8.11.46	William, Jean ..	218 Osborne-street, Williamstown ..	10	Royal Melbourne Hospital, November, 1946
13731	9.8.46	Willmott, Iris May ..	c/o Mrs. Humphreys, Beams-road, Apsley, Brisbane, Queensland ..	14 (1)	Brisbane and South Coast Hospitals, Queensland, September, 1944
13634	12.7.46	Wilson, Doris Mabel ..	602 Skipton-street, Ballarat ..	10	Ballarat Hospital, May, 1946
13654	12.7.46	Wilson, Kathleen Mary ..	Lilydale, Tasmania ..	14 (1)	Launceston Hospital, Tasmania, December, 1945
13264	15.2.46	Winslett, Kathleen Jean ..	10 Drake-street, Elwood ..	10	Queen Victoria Hospital, November, 1945
14035	13.12.46	Winters, Thomas ..	72 Duke-street, East Fremantle,	(Provisional Registration)
13713	9.8.46	Wise, Brenda Margaret ..	"The Eyrie", Elmhurst ..	10	Ararat Hospital, March, 1946
13461	10.5.46	Wissing, Emily Violet ..	43 Lincoln-road, Essendon ..	10	St. Vincent's Hospital, February, 1946
13293	15.2.46	Wittwer, Stella Gertrude ..	Australia Plain, via Eudunda, South Australia ..	14 (1)	Royal Adelaide Hospital, South Australia, March, 1945
13462	10.5.46	Wohlers, Alison ..	5 Cooraminta-street, East Brunswick ..	10	Bendigo Hospital, April, 1946
13265	15.2.46	Woodruff, Emily ..	230 Clarke-street, Northcote ..	10	Infectious Diseases Hospital, December, 1945
13294	15.2.46	Worthington, Jean ..	109 Park-road, Cheltenham ..	14 (1)	Perth Hospital, Western Australia, August, 1942
13266	15.2.46	Wragge, Diana Louise ..	"Yaloke", Deniliquin ..	10	Alfred Hospital, November, 1945
13826	13.9.46	Wylie, Hilda Joyce ..	Box 47, McLaren Vale, South Australia ..	14 (1)	Royal Adelaide and Riverton Hospitals, South Australia, March, 1944
14034	13.12.46	Wymond, Jean Pearse ..	59 Northumberland-street, Tusmore, South Australia ..	14 (2)	Adelaide Children's Hospital, November, 1945; Wakefield P.H., 6 months adult
13331	8.3.46	Youl, Phyllis Dawn ..	"Elsdon", Poeth, via Launceston, Tasmania ..	10	Alfred Hospital, November, 1945
13388	12.4.46	Young, Jean Margaret ..	Sommer Hill, Kyneton ..	10	Prince Henry's Hospital, February, 1946

RESTORATIONS TO REGISTER DURING 1946.

Date of Restoration.	Registration No.	Name.	Address.
8.11.46	740	Adams, Edith Agnes	8 Erin-street, West Richmond
13.12.46	10476	Allen, Violet May	62 Melville-street, Hawthorn
8.3.46	10684	Anderson, Aeritta Mavis	Stanley-terrace, Wynnum Central, Queensland
8.11.46	12631	Atkinson, Annie Teresa	11 Wattle-road, Braybrook
15.2.46	4535	Baird, Barbara Eudora	301 Crompton-street, Ballarat North
8.11.46	2089	Baker (née Alsop), Lily	Bridge-street, Eltham
10.5.46	11898	Bate, Wilma Jean	74 Landcox-street, East Brighton
9.8.46	7951	Bautovich, Olga Sylvia	108 Henry-street, Deniliquin, New South Wales
13.12.46	13086	Bennetts, Doreen Alice	St. Mary's Private Hospital, East Malvern
14.6.46	11163	Billett, Dora Constance	100 Best-street, Devonport, Tasmania
13.9.46	7856	Bligh, Winifred Catherine	12 Victoria-street, Warrnambool
11.10.46	9562	Breen, Deborah Margaret	16 Bolton-avenue, Hampton
9.8.46	11773	Brewer, Charlotte Haroldene	50 Margaret-street, Manly, Sydney, New South Wales
13.12.46	1356	Browne (née Almond), Elizabeth	62 Broadway, East Camberwell
9.8.46	2024	Buchanan, Christina MacIntyre	28 Osborne-street, Williamstown
8.11.46	13133	Burkitt, Annie Elizabeth	12 Bonview-road, Malvern
15.2.46	8621	Burton, Evangeline Mary	18 Campbell-road, Balwyn
13.12.46	3634	Byrne, Eileen Mary	Docker's Plains, Wangaratta
10.5.46	2633	Cadzow (née Pearce), Annie	529 Whitehorse-road, Surrey Hills
13.12.46	7868	Campbell, Margaret Josephine	92 Wright-street, Middle Park
9.8.46	7797	Carter (née Vince), Marjorie	Cardross, Victoria
8.11.46	1060	Cherry (née Liddy), Mary Veronica	28 Karma-avenue, East Malvern
14.6.46	8460	Cleeve, Elsie Emma Louisa	81 Ardmillan-road, Moonee Ponds
13.9.46	4760	Courtney, Anne May	82 Queen's-road, Melbourne
10.5.46	9151	Cox, Joan	9 Avoca-avenue, Elwood
10.5.46	9115	Cox (née Slattery), Josephine Patricia	281 Drummond-street, Carlton
12.7.46	7390	Cox (née Collins), Oceana	194 Wattle-tree-road, Malvern
11.10.46	4126	Crone, Pauleen Mary	76 Shelley-street, Elwood
12.4.46	7391	Croucher, Elva Victoria	190 The Avenue, Parkville
8.11.46	5823	Cust, Phyllis Lillian	Queen Victoria Hospital, Lonsdale-street, Melbourne
13.12.46	8314	Daniel, Joyce Elizabeth	Base Hospital, Bendigo
14.6.46	11783	Ditty, Nola Catherine	95 Baynes-street, Terang
15.2.46	3284	Dudley, Violet	Tallygaroopna
15.2.46	6201	Duncanson, Nellie Catherine	6 Fletcher-street, Essendon
13.12.46	9976	Ferguson, Jessie Alice	13 McDonald-street, West Preston
9.8.46	12710	Foley, Julia Annie	17 Sutherland-avenue, Shepparton
15.2.46	6486	Foster, Hilda Charlotte	17 Denmark Hill-road, Hawthorn
8.11.46	11514	Fraser, Edna May	Base Hospital, Mildura
10.5.46	6746	Freeman, Melva Victoria	41 Downshire-road, Elsternwick
10.5.46	4797	Fricke (née Grant), Edna Frances Meldrum	Guy's Forest, via Walwa, Victoria
12.7.46	5441	Gerlach, Alma Marguerita	68 Molesworth-street, Kew
13.9.46	4665	Gibson (née Frayne), Henrietta	Flat 3, 5 Jackson-street, St. Kilda
8.11.46	13139	Gibson, Janet Winifred	Flat 3, 573 Toorak-road, Toorak
8.3.46	6948	Gilchrist, Muriel Harper	293 Mont Albert-road, Surrey Hills
12.7.46	10792	Giles, Eva Grace	30 Erin-street, Richmond
8.11.46	11195	Gilmartin, Dorothea Jessie	12 Calvert-street, Colac
9.8.46	6690	Goble (née Erskine), Phyllis Ailsa	2 Bundoora-road, South Caulfield
13.12.46	4796	Golding, Rosalie Edith	"Woolpit", Kotupna, via Nathalia
8.11.46	4281	Gordon (née Ghymes), Daisy Knellar	Oxford-road, Kilsyth
13.12.46	11847	Gordon, Lorna Jessie	31 Shakespeare-grove, Hawthorn
8.11.46	12342	Gorey, Lois Elma	Freemason's Hospital, East Melbourne
10.5.46	1322	Grant, Lily	3 Gordon-crescent, Blackburn
8.3.46	3273	Goodwin (née Timothy), Mary Agnes	52 Chapel-street, East St. Kilda
13.12.46	13140	Haby, Marjory Edith	30 Erin-street, Richmond
11.10.46	11791	Haddow, Alice Marion	235 Koroit-street, Warrnambool
11.10.46	11792	Haddow, Phyllis Edna	235 Koroit-street, Warrnambool
23.7.46	8948	Hambour, Angelina	Kapunda, South Australia
11.10.46	2356	Hamilton (née Jarvis), Constance Ivy	21 Gotha-street, Heidelberg
8.11.46	10596	Hanlon, Margaret Anne	91 St. Leonard's-road, Ascot Vale
13.9.46	4152	Harbinson, Ethel	Hazel Bank, Mortlake
15.2.46	3404	Healy, Muriel Ethel Teresa	405 St. Kilda-road, Melbourne
10.5.46	10907	Henderson, Edna May	13 Dickens-street, St. Kilda
8.11.46	10599	Hewatt, Kathleen Isabella	"Koomgal", Calulu, Gippsland
11.10.46	12986	Hickson, Marie Dorothy	Private Bag, Goornong
10.5.46	8922	Hoath, Dorothy Stella	18 Avenue Athol, Canterbury
12.7.46	6586	Hobson, Bessie Eleanor Irene	114 Beach-road, Sandringham
8.11.46	8607	Hodson, Ada	23 Landowne-road, London, England
8.3.46	10702	Holgate, Violet Myrtle	53 Stud-road, Dandenong
13.12.46	329	Horan (née Tighe), Edith Mary	168 Nicholson-street, Fitzroy
11.10.46	11936	Howatson, Susanne Sumner	4 Canterbury-road, Toorak
8.3.46	1590	Hughes (née Lelean), Constance Lillian	20 Balmerino-avenue, Toorak
13.9.46	6356	Hughes (née Furzo), Jean Annie	c/o 862 Malvern-road, Armadale
8.11.46	5058	Hustler (née Tainsh), Catherine Florence	Clydesdale, Victoria
8.11.46	12818	Hutton, Jessie Veronica	35 Southey-street, Elwood
13.12.46	6204	Jacobs, Rachael Miriam	56 Adelaide-street, Armadale
13.12.46	5552	James, Lillian Maidment	4 Maud-street, North Balwyn
14.6.46	11398	James, Sylvia Helene	c/o Mrs. Pascall, Rickard-road, Warimoo, New South Wales
12.4.46	8979	Jenkins (née Lowther), Eileen Mary	13 Wendouree-parade, Ballarat
13.12.46	4551	Johnson-Turner (née Greenwood), Dora Florence	Camp-street, Beechworth
13.9.46	2620	Justice, Mabel	29 Grey-street, St. Kilda
10.5.46	8951	Kelly (née Niven), Mary Esther	84 Sutherland-road, Armadale
13.12.46	4014	Kennedy (née Keenan), Mary Lucy	"Tyronne", Piper-street, Yarrowonga
10.5.46	3780	Kimber, Vera Eugenia S.	Hillcrest-avenue, Eltham
14.6.46	9167	Klows, Lois Edith	c/o 37 Overlook Tree, New York, 33, United States of America
12.7.46	2794	Lehan, Nora	53 Vale-street, St. Kilda
13.12.46	1607	Lester (née May), Ida Lillian	41 Cole-street, Elwood
13.9.46	1116	Lobban (née Elliot), Mona	Base Hospital, Bendigo
9.8.46	2487	MacKnight, Helen	9 Gaynor-court, Malvern
13.9.46	11144	Malcolm, Margaret Beatrice	c/o Mrs. J. S. Rose, Emerald

RESTORATIONS TO REGISTER DURING 1946—*continued.*

Date of Restoration.	Registration No.	Name.	Address.
8.11.46	3694	Manion (<i>née</i> McGrath), Norah Veronica ..	121 Murray-street, Caulfield
12.4.46	3933	Marum, Mary Frances	7 Anderscn-street, Marrickville, New South Wales
12.7.46	5637	Mitchell, Mavis Jean	95 Kooyong Koot-road, Hawthorn
13.9.46	10372	Morgan, Margaret Violet	71 Alma-road, Caulfield
15.2.46	736	Mosley (<i>née</i> Garland), Hester	"Mei Kong", Henry-street, Deniliquin, New South Wales
9.8.46	7358	Mulcahy, Agnes Mary	1304 Malvern-road, Malvern
10.5.46	8586	McCormack, Winifred Bridget	Anderson-street, Euroa
8.11.46	2778	McDonald, Nora Mary	Mugga Way, Red Hill, Canberra
15.2.46	8879	McDonald (<i>née</i> Smith), Veronica Margaret ..	53 Lyle-street, Warracknabeal
8.3.46	5640	McGarvin, Augusta Victoria	20 Meredith-street, Elwood
15.2.46	1327	McPhee, Jessie	22 Ridley-street, Sunahine
8.11.46	5995	Nelson, Vera Florence	Main-street, Beac
8.11.46	11014	Neuenkirchen, Margaret Collard	14 Orange-grove, Kensington Park, South Australia
12.4.46	9635	Newton (<i>née</i> Gilmore), Melba Magdalen ..	14 Ross-street, Toorak
11.10.46	5494	Nixon, Doris Harriett	P.O. Box 19, Berriwillock
10.5.46	6167	Nixon, Phyllis	154 Wellington-street, Kew
14.6.46	6956	Norwood, Gladys Winifred	12 Dickson-street, Echuca
9.8.46	3350	O'Day (<i>née</i> Smith), Mary Cecilia	92 Harding-street, Coburg
15.2.46	6064	Page, Violet	Lady Dugan Hostel, Tarcoola, South Australia
23.9.46	3713	Pannell, Gladys Yvonne	32 Wakamui-street, Northcote
15.2.46	6462	Paul, Doris Emily	Cromson-street, Millthorpe, New South Wales
13.12.46	10190	Payne, Edith May	Flat 16, Arundel, Commercial-road, Melbourne, S.C.3
8.11.46	9333	Perrins, Margery May	31 Callantina-road, Hawthorn
15.2.46	11237	Petschel, Elsa Dora	Katyl North, via Dimboola
15.2.46	10844	Phelan, Annie Monica	Napoleons, via Ballarat
8.11.46	9596	Powell, Gwendolyn Sarah Mary	Capital-avenue, McKinnon
12.4.46	2116	Primrose, Maud Violet	546 Burke-road, Camberwell
13.9.46	5598	Prust, Alice Jean	Warrandyte-road, Ringwood North
8.11.46	7477	Revelman, Zara	12 Melby-avenue, St. Kilda
14.6.46	7451	Richardson, Mary Leona	2 Kooyong Koot-road, Hawthorn
8.3.46	5228	Riley, Elva Mabel	Flat 6, Homewood Court, Homewood-avenue, Brighton
13.12.46	10501	Roberts (<i>née</i> Jones), Dyls Sarah	32 Church-street, Stawell
15.2.46	9059	Roberts, Rose Emily	Flat 1, 108 Millswyn-street, St. Kilda
11.10.46	10958	Rodwell, Joan Mavis	2 Monaro-road, Kooyong
13.9.46	5170	Roffey (<i>née</i> Uren), Elza Helene	Norlano P.O., Melbourne-road, Geelong
11.10.46	7724	Rosan (<i>née</i> Pitty), Nellie Lois	109 Hope-street, Geelong West
15.2.46	5051	Rowe, Jessie Pearl	Nurses' Club, Lonsdale-street, Melbourne
10.5.46	1646	Rowlands, Nellie Winifred	712 Station-street, Box Hill
9.8.46	5331	Saunders, Dorothy	58 Outer-crescent, Brighton
15.2.46	10773	Schwieger, Joan Frances Bessie	St. Martin's Vicarage, Cromwell-road, Hawksburn
15.2.46	609	Scott, Edith Louisa	Carbethon Private Hospital, Wilton Vale-crescent, East Malvern
8.11.46	11251	Sewell, Barbara Whitton	c/o 33 Albert-street, East Malvern
12.7.46	6764	Sheehan, Muriel Jocelyn	717A Malvern-road, Toorak
13.9.46	5254	Simper, Emily Elsie	1211 Dance-street, Ballarat
15.2.46	11999	Slate (<i>née</i> Ward), Lilian Christina	24 Auburn-grove, Auburn
15.2.46	2027	Slater, Edna Maude	3 Chrystobel-crescent, Hawthorn
14.6.46	5429	Slattery, Catherine Monica	11 George-street, East Melbourne
9.8.46	11095	Smith, Madeline M.	52 Mathoura-road, Toorak
12.4.46	2189	Smith (<i>née</i> Roberts), Mary	13 Kerr-crescent, Camberwell
8.3.46	1603	Smith, Violet	452 Lonsdale-street, Melbourne
8.11.46	12485	Stevenson, Pauline Laura Mary	84 Park-street, West Brunswick
12.7.46	4615	Stewart (<i>née</i> Griffith), Dorothy Millicent ..	4 Wharton-street, Surrey Hills
11.10.46	9401	Sturm, Doreen Nellie	432 Magill-road, Kensington Gardens, South Australia
12.4.46	12429	Tasker, Margaret Joan	15 Thomson-street, Northcote
8.3.46	12207	Taylor, Zita Nancy	c/o Box 124, Shepparton
8.3.46	1930	Thorne (<i>née</i> Carter), Jessie Cameron	c/o A. C. Carter, 15 Threadneedle-street, Balwyn, E.8
9.8.46	11424	Tierney, Mary	10 Loch-avenue, Ballarat
13.12.46	7663	Tresise (<i>née</i> Shaw), Helen Bassett	85 Paxton-street, East Malvern
13.12.46	10856	Turner, Nancy Corser	Trawalla-road, Croydon
11.10.46	6312	Twomey (<i>née</i> Butcher), Patricia Hendy ..	c/o J. Samson, Ardmona
8.11.46	7459	Tyquin, Mary Kathleen	11 George-street, East Melbourne
13.9.46	9306	Walsh, Jean Phyllis	47A The Esplanade, Elwood
13.11.46	9034	Ward, Phoebe Grace	136 Gipps-street, East Melbourne
14.6.46	1815	Waycott, Mary Louisa	452 Lonsdale-street, Melbourne
15.2.46	12434	Webb, Mary Florence	"Bonnington", Boorcram, Victoria
10.5.46	12277	Whelan, Moira Joyce	250 Pt. Nepean-road, Mentone
15.2.46	7698	Whitling, Kathleen (Sister Mary Francis Regis)	St. Vincent's Hospital, Fitzroy
15.2.46	10007	Wilkins, Mary June	6 Tennyson-street, Brighton Beach
8.11.46	2399	Williams, Dulcie Geraldino	14 Pearson-grove, North Caulfield
12.7.46	12215	Williams, Phyllis Mabel	150 Alma-road, East St. Kilda
14.6.46	12490	Wilson, Audrey Vida	27 Selwyn-avenue, Elwood
8.11.46	12217	Wilton, Mary Beryl	St. Vincent's Hospital, Fitzroy
10.5.46	3616	Witton, Grace Ada	66 Shoobra-road, Elsternwick

The following are the Names of Nurses on the Register of Nurses at 31st December, 1946, to whom Special Certificates for Infant Welfare Nursing have been issued:—

No.	Date.	Name.	Qualifications.
1A	30.3.28	Peck, Muriel A.	Victorian Baby Health Centres Association, January, 1920
2A	30.3.28	Hancock, Laura	Society for Health of Women and Children, Victoria
3A	30.3.28	Wilson, Mary	Victorian Baby Health Centres Association, February, 1921
4A	30.3.28	McCarthy, Eilon May	Australian Mothercraft Society Plunket System
5A	30.3.28	Cramer, Winifred M.	Evidence of at least six months' experience
7A	30.3.28	Towler, Vera W.	Victorian Baby Health Centres Association, December, 1927
8A	30.3.28	Becker, Caroline Louise	Victorian Baby Health Centres Association
9A	30.3.28	Thomson, Ada Mary H.	Victorian Baby Health Centres Association, December, 1923
13A	30.3.28	Dobson, Vera C.	Victorian Baby Health Centres Association
17A	8.5.28	Forbes, Ada	Society for Health of Women and Children, Victoria, 1924
18A	8.5.28	Gordon, Ruby E.	Victorian Baby Health Centres Association, 1923
20A	8.5.28	Muriel, Hannah	Victorian Baby Health Centres Association, 1926
21A	8.5.28	McCowan (née Legate), Dorothy G.	Victorian Baby Health Centres Association, 1925
22A	8.5.28	Legate, Kathleen Mary	Victorian Baby Health Centres Association, 1923
25A	8.5.28	Mahoney, Ellen Catherine	Victorian Baby Health Centres Association, March, 1926
26A	8.5.28	Phillips, Dorothy E.	Victorian Baby Health Centres Association, November, 1922
27A	8.5.28	Phillips, Nora O'Connell	Society for Health of Women and Children, Victoria, December, 1927
28A	8.5.28	Phillips, Violet Maybelle	Victorian Baby Health Centres Association, November, 1926
29A	8.5.28	Primrose, Maud Violet	Royal New Zealand Society for Health of Women and Children, December, 1926
33A	8.5.28	Spedding, May	Victorian Baby Health Centres Association, April, 1927
37A	8.6.28	Baker (née Alsop), Lily	Victorian Baby Health Centres Association, July, 1921
39A	8.6.28	Becker, Elizabeth C.	Victorian Baby Health Centres Association, May, 1925
44A	8.6.28	Devine, Kathleen	Society for Health of Women and Children of Victoria, August, 1924
45A	8.6.28	Dixon, Ethel Victoria	Victorian Baby Health Centres Association, March, 1928
48A	8.6.28	Hughes, Katrina	Society for Health of Women and Children, Victoria, November, 1926
49A	8.6.28	Grant (née Haigh), Jean Ada	Victorian Baby Health Centres Association, July, 1927
50A	8.6.28	Hunt, Isabelle Ivy	Victorian Baby Health Centres Association, December, 1927
52A	8.6.28	King, Amy	Victorian Baby Health Centres Association, August, 1922
56A	8.6.28	McGain, Hilda V. (Mrs.)	Victorian Baby Health Centres Association, April, 1927
57A	8.6.28	Murdoch, Emily	Victorian Baby Health Centres Association, April, 1927
59A	8.6.28	Newham, Madge Murray	Victorian Baby Health Centres Association, December, 1927
60A	8.6.28	O'Rourke, Frances Myrtle	Victorian Baby Health Centres Association, November, 1926
61A	8.6.28	Peet, Margaret	Victorian Baby Health Centres Association, April, 1927
62A	8.6.28	Quigley, Daisy Annette	Victorian Baby Health Centres Association, December, 1922
63A	8.6.28	Quinn, Mary Agnes	Victorian Baby Health Centres Association, December, 1927
64A	8.6.28	Sones, Lydia Newson	Victorian Baby Health Centres Association, March, 1926
67A	8.6.28	Sutherland, Margaret	Victorian Baby Health Centres Association, March, 1928
69A	8.6.28	Turner, Jane Eleanor	Victorian Baby Health Centres Association, April, 1925
70A	8.6.28	Wilson, Annie	Society for Health of Women and Children, Victoria, November, 1924
73A	8.6.28	Lipscomb, Inez F.	Victorian Baby Health Centres Association, July, 1926
75A	6.7.28	Baker, Rose Elizabeth	Society for Health of Women and Children, Victoria, July, 1925
76A	6.7.28	Bath, Annie Elizabeth	Victorian Baby Health Centres Association, November, 1926
77A	6.7.28	Bennetts, Mary Louise	Society for Health of Women and Children, Victoria, July, 1925
82A	6.7.28	Chapman, Pearl	Victorian Baby Health Centres Association, May, 1927
83A	6.7.28	Clements, Ada	Victorian Baby Health Centres Association, April, 1925
84A	6.7.28	Cleveland, Alice Carmen	Victorian Baby Health Centres Association, May, 1921
86A	6.7.28	Connolly, Eileen Love	Victorian Baby Health Centres Association, November, 1926
87A	6.7.28	Cox, Dorothy Isabel (Mrs.)	Victorian Baby Health Centres Association, April, 1925
88A	6.7.28	Culton, Charlotte	Victorian Baby Health Centres Association, July, 1925
89A	6.7.28	Dale, Elsie Mary	Victorian Baby Health Centres Association, September, 1925
91A	6.7.28	Donnis, Eva	Victorian Baby Health Centres Association, October, 1926
93A	6.7.28	Eckel, Christiane	Society for Health of Women and Children, Victoria, November, 1927
94A	6.7.28	Edgcombe, Erica V.	Victorian Baby Health Centres Association, April, 1925
98A	6.7.28	Hall, May Isabel	Victorian Baby Health Centres Association, November, 1921
99A	6.7.28	Holland, Esther F. M.	Society for Health of Women and Children, Victoria, November, 1925
102A	6.7.28	Hutchinson, Mabel L.	Child Welfare Mothercraft Home, Hobart, May, 1928
104A	6.7.28	Kerville, Bessie Louise	Letter from Mrs. White, V.B.H.C. Association, re training
107A	6.7.28	MacGillivray, Catherine B.	Royal New Zealand Society for Health of Women and Children, April, 1926
110A	6.7.28	Marquardt, Victoria F.	Society for Health of Women and Children, Victoria, August, 1924
112A	6.7.28	McBurney, Sarah A.	Society for Health of Women and Children, Victoria, November, 1924
117A	6.7.28	McKindley, Ella May	Letter from Matron, Baby Tweddle Home, re training in March, 1927
122A	6.7.28	Ormerod, Annie Ruth	Victorian Baby Health Centres Association, November, 1925
123A	6.7.28	Ferrott, Alice Amelia	Victorian Baby Health Centres Association, April, 1926
124A	6.7.28	Burgess (née Pickering), Mary	Victorian Baby Health Centres Association, November, 1926
125A	6.7.28	Pratt, Susan Lily	Victorian Baby Health Centres Association, June, 1928
129A	6.7.28	Simonds, Honrie V.	Victorian Baby Health Centres Association, March, 1924
131A	6.7.28	Smith, Ida May	Victorian Baby Health Centres Association, July, 1927
133A	6.7.28	Stewart, Lily	Victorian Baby Health Centres Association, October, 1926
134A	6.7.28	Stone, Amelia Helen	Society for Health of Women and Children, Victoria, March, 1926
135A	6.7.28	Thompson, Deborah	Victorian Baby Health Centres Association, April, 1925
137A	6.7.28	Walford, Gladys	Certified by Dr. Scantlebury as to six months' experience
138A	6.7.28	Walker, Elspeth	Victorian Baby Health Centres Association, March, 1922
141A	6.7.28	Williams, Dulcie G.	Society for Health of Women and Children, Victoria, December, 1924
144A	6.7.28	Allen, Hilda Adelaide	Victorian Baby Health Centres Association, October, 1922
147A	6.7.28	McMurtrie, Elizabeth S.	Victorian Baby Health Centres Association, December, 1923

No.	Date.	Name.	Qualifications.
150A	6.7.28	Stevenson, Jean Russell	Victorian Baby Health Centres Association, July, 1925
151A	6.7.28	Murray, Edith W.	Victorian Baby Health Centres Association, November, 1926
155A	6.7.28	Lockhart, Alice Leila	Victorian Baby Health Centres Association, April, 1925
157A	6.7.28	Newton, Margaret F.	Victorian Baby Health Centres Association, November, 1927
159A	22.3.29	Beveridge, Rachel W.	Victorian Baby Health Centres Association, February, 1929
160A	22.3.29	Holmes (née Heath), Ruby	Victorian Baby Health Centres Association, February, 1929
161A	22.3.29	Mitchell, Ella M.	Victorian Baby Health Centres Association, February, 1929
163A	19.4.29	Hall, Jane	Tweddle Baby Hospital
166A	24.5.29	Fleming, Frances Jean	Victorian Baby Health Centres Association
168A	14.6.29	Curtis (née Hewitt), Florence O. M.	Victorian Baby Health Centres Association
171A	6.9.29	Dolphin, Cora	Tweddle Baby Hospital
172A	6.9.29	Robertson (née Grant), Isabella	Victorian Baby Health Centres Association
173A	6.9.29	Searl, Louise	Tweddle Baby Hospital
178A	29.11.29	Bruce, Dorothy	Victorian Baby Health Centres Association
179A	29.11.29	Shallborg, Edna E. (Mrs.)	Victorian Baby Health Centres Association
180A	31.1.30	Shields, Annie L.	Tweddle Baby Hospital
181A	31.1.30	McDonald, Frances A.	Tweddle Baby Hospital
183A	14.2.30	Jeffrey, Marjorie L.	Tweddle Baby Hospital
184A	14.3.30	Reschowsky (née Cawcutt), Edith M.	Victorian Baby Health Centres Association
186A	11.4.30	Ford (née Brisbane), Alice W.	Victorian Baby Health Centres Association
187A	11.4.30	Campbell, Olive B.	Tweddle Baby Hospital
188A	11.4.30	Chambers, Frances E.	Victorian Baby Health Centres Association
189A	11.4.30	Dunn, Vera Lillian (Mrs.)	Victorian Baby Health Centres Association
190A	11.4.30	McRae, Barbara D.	Victorian Baby Health Centres Association
193A	11.4.30	Stewart, Florence G.	Tweddle Baby Hospital
198A	30.5.30	Richmond, Annie C.	Tweddle Baby Hospital
199A	25.7.30	Bamford, Ella V.	Victorian Baby Health Centres Association
201A	29.8.30	Grylls, Florence Emily	Ulverstone Mothercraft Home
206A	29.8.30	Williams, Catherine M.	Tweddle Baby Hospital
207A	29.8.30	Podorsen, Mathilde V.	Victorian Baby Health Centres Association
209A	29.8.30	Griffiths, Dorothy	Victorian Baby Health Centres Association
211A	26.9.30	Higginson, Coe Duncan	Victorian Baby Health Centres Association
214A	12.12.30	Footo (née Bennett), Frances Mary	Victorian Baby Health Centres Association
216A	12.12.30	Buckland (née Herbert), Lillian Ada	Victorian Baby Health Centres Association
217A	12.12.30	Lewis, Muriel Mary	Victorian Baby Health Centres Association
220A	13.2.31	Furze, Jinnie	Victorian Baby Health Centres Association
221A	13.2.31	Hall, Ada Beatrice	Tandarra Mothercraft Training School
223A	13.2.31	Lehan, Nora	Victorian Baby Health Centres Association
224A	13.2.31	Lindsey, Elizabeth I.	Tandarra Mothercraft Training School
226A	13.2.31	McRae, Christina C.	Tandarra Mothercraft Training School
228A	13.2.31	Reeves, Laura E.	Presbyterian Babies Home
229A	13.2.31	Reid, Florence Mary	Presbyterian Babies Home
230A	13.2.31	Robertson, Dorothy J. S.	Tweddle Baby Hospital
231A	13.2.31	Sage, Annie Moriah	Victorian Baby Health Centres Association
232A	13.2.31	Springall, Vera Isabel	Presbyterian Babies Home
233A	13.2.31	Stafford, Hilda Theresa	Victorian Baby Health Centres Association
237A	27.3.31	Wood, Florence Hilda	Victorian Baby Health Centres Association
238A	27.3.31	Swale (née Saint), Isobel Jean	Presbyterian Babies Home
239A	24.4.31	Bowler, Vivian Mary	Presbyterian Babies Home
241A	24.4.31	Denney, Margaret	Victorian Baby Health Centres Association
242A	24.4.31	Hawkins, Ethel B.	Victorian Baby Health Centres Association
244A	24.4.31	Lobban, Jessie E.	Victorian Baby Health Centres Association
247A	24.4.31	Rawolle, Myrtle	Tweddle Baby Hospital
248A	24.4.31	Stirling, Marion	Tweddle Baby Hospital
249A	24.4.31	Turner, Victoria Melba	Victorian Baby Health Centres Association
252A	26.6.31	Secomb, Alice B.	Presbyterian Babies Home
253A	31.7.31	Beck (née Davies), Elizabeth E.	Tweddle Baby Hospital
254A	31.7.31	Dobbin, Margaret	Tandarra Mothercraft Training School
256A	31.7.31	Mitchell, Adrian E.	Presbyterian Babies Home
257A	31.7.31	McColl, Ellen May	Tandarra Mothercraft Training School
259A	31.7.31	Williamson, Annie S.	Tandarra Mothercraft Training School
261A	28.8.31	Armstrong, Eva Violet	Tweddle Baby Hospital
263A	28.8.31	Easterbrook, Florence M.	Presbyterian Babies Home
264A	28.8.31	Beamish (née Eyres), Doris Ethel	Victorian Baby Health Centres Association
265A	28.8.31	Halls, Oenone M.	Victorian Baby Health Centres Association
268A	28.8.31	Lithorland, Ann Maria	Tweddle Baby Hospital
269A	28.8.31	Marshall, Florence E. S.	Tandarra Mothercraft Training School
270A	28.8.31	Mitchell, Mary Maria	Victorian Baby Health Centres Association
271A	28.8.31	Murray, Mary Ellen	Victorian Baby Health Centres Association
272A	28.8.31	Pye, Margaret Alice	Tweddle Baby Hospital
273A	28.8.31	Yorston, Janet Elsie	Presbyterian Babies Home
274A	28.8.31	Joiner, Dorothy E.	Victorian Baby Health Centres Association
275A	25.9.31	Beer, Violet Emma	Victorian Baby Health Centres Association
277A	30.10.31	Chisholm, Robena	Victorian Baby Health Centres Association
280A	18.12.31	Garmon-Owon (née Hunter), Florence	Tweddle Baby Hospital
284A	18.12.31	Neil, Margaret T.	Victorian Baby Health Centres Association
285A	18.12.31	Rowlands, Nellie W.	Victorian Baby Health Centres Association
286A	18.12.31	Barker (née Smith), Nelly Fox	Victorian Baby Health Centres Association
288A	18.12.31	Stewart, Clara	Presbyterian Babies Home
291A	18.12.31	Walker, Isabel	Presbyterian Babies Home
292A	18.12.31	Williams, Edith Ivy	Presbyterian Babies Home
293A	26.2.32	Chidlow, Zillah	Victorian Baby Health Centres Association, March, 1927
294A	26.2.32	Doig, Olive Mary	Tweddle Baby Hospital
297A	26.2.32	Lloyd, Dorothy H.	Tandarra Mothercraft Training School
299A	26.2.32	O'Rourke, Annie T.	Tandarra Mothercraft Training School
301A	8.4.32	Browne, Elizabeth A. (Mrs.)	Tandarra Mothercraft Training School
303A	8.4.32	Graham, Gortrude F.	Tweddle Baby Hospital
306A	8.4.32	Monkhouse, Mary	Tandarra Mothercraft Training School
307A	8.4.32	Robertson, Joan T.	Presbyterian Babies Home

No.	Date.	Name.	Qualifications.
312A	27.5.32	Scholes, Dorothy	Tweddle Baby Hospital
313A	27.5.32	Williams, Florence E.	Victorian Baby Health Centres Association
314A	24.6.32	Ramsey, Blanche O. (Mrs.)	Presbyterian Babies Home
316A	29.7.32	Brindal, Mildred B. (Mrs.)	Tandarra Mothercraft Training School
320A	29.7.32	Macknight, Helen	Victorian Baby Health Centres Association
321A	28.8.32	Boavis, Dorothy F.	Victorian Baby Health Centres Association
322A	26.8.32	Betts, Muriel S.	Tandarra Mothercraft Training School
324A	26.8.32	Luke, Elirida	Tweddle Baby Hospital
325A	26.8.32	Nelson, Marie Eileen	Tweddle Baby Hospital
326A	26.8.32	Spring, Elizabeth De L.	Tweddle Baby Hospital
327A	26.8.32	Talbot, Anne Maud	Victorian Baby Health Centres Association
329A	30.9.32	Bolitho, Ida Alice	Victorian Baby Health Centres Association
330A	30.9.32	Connellan, Catherine C.	Tweddle Baby Hospital
331A	30.9.32	Hill, Rota Grace	Victorian Baby Health Centres Association
332A	30.9.32	Lang, Ellice Harrietto	Tweddle Baby Hospital
333A	28.10.32	Shaw, Mary Pearson	Victorian Baby Health Centres Association
335A	25.11.32	Jones, Ingis K.	Victorian Baby Health Centres Association
336A	25.11.32	Stewart (née Kelly), Grace Isobel	Victorian Baby Health Centres Association
338A	25.11.32	MacNeil, Cora E.	Presbyterian Babies Home
339A	25.11.32	Moloney, Mary Agnes	Victorian Baby Health Centres Association
340A	25.11.32	Moors, Helen Estelle	Tandarra Mothercraft Training School
341A	25.11.32	Rowan, Eliza	Tandarra Mothercraft Training School, and Child Welfare Association, Hobart
342A	25.11.32	Walker, Jean Sunter	Tandarra Mothercraft Training School
343A	25.11.32	Crick, Winifred Jane	Victorian Baby Health Centres Association
346A	16.12.32	Offerman, Violet	Tweddle Baby Hospital
349A	24.2.33	Campbell (née Edwards), Mary R.	Presbyterian Babies Home
350A	24.2.33	Muir, Agnes L.	Victorian Baby Health Centres Association
351A	24.2.33	McNair, Dorothy	Victorian Baby Health Centres Association
352A	31.3.33	Clarke, Florence M.	Presbyterian Babies Home
353A	31.3.33	Cottrell, Harriett E.	Victorian Baby Health Centres Association
354A	31.3.33	Crowe, Catherine A. M.	Victorian Baby Health Centres Association
355A	31.3.33	Morton, Grace Isabel	Victorian Baby Health Centres Association
359A	31.3.33	Westacott, Gertrude L.	Tweddle Baby Hospital
363A	28.4.33	Morris, Agnos Nicol	Tandarra Mothercraft Training School
364A	28.4.33	McNamara, Mary K.	Tandarra Mothercraft Training School
365A	28.4.33	Quinton, Lily	Tandarra Mothercraft Training School
367A	28.4.33	Richardson, Eliza R.	Tweddle Baby Hospital
373A	28.7.33	Mason, Muriel Clarissa	Victorian Baby Health Centres Association
374A	28.7.33	Milne (née Parr), Linda	Tweddle Baby Hospital
377A	25.8.33	Bown (née Humphrey), Gladys T.	Victorian Baby Health Centres Association
378A	25.8.33	Hunt, Doris Freda	Tweddle Baby Hospital
379A	25.8.33	Willis (née Innocent), Clara M.	Tweddle Baby Hospital
380A	25.8.33	Kenny, Annie V.	Tandarra Mothercraft Training School
381A	25.8.33	Willecox, Genevieve A.	Victorian Baby Health Centres Association
382A	25.8.33	Morton (née Woods), Freda C.	Tweddle Baby Hospital
383A	25.8.33	Woods, Martha L.	Tweddle Baby Hospital
385A	29.9.33	Tetley (née Eastwood), Valerie C. F.	Victorian Baby Health Centres Association
386A	29.9.33	Grant (née Korr), Eileen J.	Tweddle Baby Hospital
387A	29.9.33	Leaney, Gertrude A.	Tandarra Mothercraft Training School
388A	29.9.33	McIntyre, Amy	Presbyterian Babies Home
389A	29.9.33	Palmor, Emily	Presbyterian Babies Home
390A	29.9.33	Polkinghorne, Muriel I.	Tandarra Mothercraft Training School
392A	29.9.33	Young (née Stone), Marion	Victorian Baby Health Centres Association
393A	14.12.33	Gray, Jean	Victorian Baby Health Centres Association
394A	14.12.33	Windsor, Edna Swift	Presbyterian Babies Home
395A	12.2.34	Bourne, Marjorie Grace	Tandarra Mothercraft Training School
396A	12.2.34	Hayden (née Morris), Marjorie May	Victorian Baby Health Centres Association
397A	12.2.34	McNicol, Jean May	Victorian Baby Health Centres Association
398A	12.2.34	Ritson, Phyllis F.	Tandarra Mothercraft Training School
400A	23.3.34	Johnson-Turner (née Greenwood), Dora F.	Tweddle Baby Hospital
402A	23.3.34	McPhee, Jessie	Presbyterian Babies Home
406A	27.4.34	Dowie (née Maddison), Agnos F. M.	Victorian Baby Health Centres Association
407A	27.4.34	McInnes, Maude E.	Tandarra Mothercraft Training School
408A	27.4.34	Purnell, Hester May	Tweddle Baby Hospital
409A	27.4.34	Wilson, Helen	Tandarra Mothercraft Training School
410A	25.5.34	Beames, Sylvia Cora	Presbyterian Babies Home
411A	22.6.34	Powell, Alison Mary	Presbyterian Babies Home
413A	22.6.34	Williamson, Olive May	Victorian Baby Health Centres Association
414A	27.7.34	Anderson, Edith M.	Presbyterian Babies Home
416A	27.7.34	Peck (née Kennedy), Sarah Eleanor	Tweddle Baby Hospital
417A	27.7.34	O'Brien, Mary Veronica	Victorian Baby Health Centres Association
418A	27.7.34	Westwood, Pearl B.	Presbyterian Babies Home
419A	31.8.34	Barton, Ida Grace	Tweddle Baby Hospital
422A	31.8.34	Howard, Irma V.	Presbyterian Babies Home
424A	31.8.34	Rankine, Victoria Maude	Victorian Baby Health Centres Association
425A	31.8.34	Ruby, Louisa Frances	Victorian Baby Health Centres Association
427A	31.8.34	Twyford, Edith M.	Tweddle Baby Hospital
428A	28.9.34	Crooks, Nellie Stephenson	Tandarra Mothercraft Training School
429A	28.9.34	Scott, Jessie Isobel	Tweddle Baby Hospital
430A	26.10.34	Johnson, Eva	Presbyterian Babies Home
431A	3.12.34	Buzzard, Dorothy	Tandarra Mothercraft Training School
432A	3.12.34	Duncan, Lexie Ursula	Tandarra Mothercraft Training School
434A	3.12.34	Wilson, Margaret A. (Mrs.)	Presbyterian Babies Home
435A	3.12.34	Woods, Ethel	Victorian Baby Health Centres Association
436A	3.12.34	Marondaz, Marion Jean	Tandarra Mothercraft Training School
437A	3.12.34	Daly, Thelma	Presbyterian Babies Home
438A	14.12.34	Kirkpatrick, Dorothy L.	Victorian Baby Health Centres Association
439A	14.12.34	Bailey, Catherine	Victorian Baby Health Centres Association

No.	Date.	Name.	Qualifications.
440A	14.12.34	Garnham, Bessie	Victorian Baby Health Centres Association
441A	14.12.34	Greene (née Hart), Evelyn F. .. .	Victorian Baby Health Centres Association
442A	14.12.34	Hopkins, Clarise Johanna .. .	Victorian Baby Health Centres Association
445A	14.12.34	Wishart, Helen D. .. .	Tweddle Baby Hospital
447A	14.2.35	Wilshire (née Bennett), Madeline G. .. .	Victorian Baby Health Centres Association
449A	14.2.35	Burbury, Eleanor .. .	Tweddle Baby Hospital
451A	14.2.35	Lane, Eileen Hilda .. .	Presbyterian Babies Home
453A	29.3.34	Lewis, Edna Lindsay .. .	Tweddle Baby Hospital
455A	26.4.35	Bryant, Ellen May .. .	Victorian Baby Health Centres Association
457A	26.4.35	Goudie, Elizabeth Ann .. .	Victorian Baby Health Centres Association
458A	26.4.35	Paton (née Henderson), Doris Matilda .. .	Victorian Baby Health Centres Association
459A	26.4.35	Holinger, Bertha .. .	Presbyterian Babies Home
460A	26.4.35	Stenninger, Irene Mary .. .	Tweddle Baby Hospital
461A	24.5.35	Ford, Daisy Hillier .. .	Tandarra Mothercraft Training School
462A	24.5.35	Forsyth, Emily .. .	Tandarra Mothercraft Training School
464A	24.5.35	Murphy, Margaret Alice .. .	Tweddle Baby Hospital
466A	24.5.35	Whiteside, Jessie Evelyn .. .	Victorian Baby Health Centres Association
467A	26.7.35	Burgess, Margaret Ruth .. .	Victorian Baby Health Centres Association
469A	26.7.35	Chalmers, Catherine M. .. .	Victorian Baby Health Centres Association
470A	26.7.35	Cameron, Catherine Annie .. .	Tweddle Baby Hospital
473A	30.8.35	Hennell, Elsie Muriel H. .. .	Tandarra Mothercraft Training School
474A	30.8.35	Malone, Mona Lily R. .. .	Tandarra Mothercraft Training School
475A	30.8.35	Rees, Ethel Olive .. .	Tweddle Baby Hospital
476A	27.9.35	Clarey (née Leich), Irene Mary .. .	Victorian Baby Health Centres Association
477A	27.9.35	Watts (née Thorpe), Nollie .. .	Victorian Baby Health Centres Association
478A	25.10.35	Aitken, Jessie .. .	Tandarra Mothercraft Training School
479A	25.10.35	Bowman, Ellen .. .	Tandarra Mothercraft Training School
480A	25.10.35	McLennan, Mary Isabel .. .	Victorian Baby Health Centres Association
481A	29.11.35	Boulton (née Anderson), Jean .. .	Tandarra Mothercraft Training School
482A	29.11.35	Hancock, Mildred F. .. .	Tandarra Mothercraft Training School
484A	20.12.35	Cleary, Eileen Mary .. .	Victorian Baby Health Centres Association
486A	20.12.35	Hargrave, Doris .. .	Tweddle Baby Hospital
487A	20.12.35	Hicks, Estelle May .. .	Tweddle Baby Hospital
488A	20.12.35	Lancaster, Susan E. .. .	Victorian Baby Health Centres Association
489A	20.12.35	Monson, Myrtle May .. .	Tandarra Mothercraft Training School
490A	20.12.35	Murphy, Andrina Elsie G. .. .	Victorian Baby Health Centres Association
491A	20.12.35	Price (née McKenzie), Marion Stuart .. .	Tandarra Mothercraft Training School
492A	20.12.35	Thorne, Margaret Marion .. .	Victorian Baby Health Centres Association
493A	20.12.35	Wilson, Ruth Hoarn .. .	Presbyterian Babies Home
494A	14.2.36	Crothers, Elizabeth .. .	Tweddle Baby Hospital
495A	14.2.36	Emmerson, Margaret Nancy .. .	Victorian Baby Health Centres Association
500A	1.5.36	Smithers (née Copland), Jean Florence .. .	Presbyterian Babies Home
501A	1.5.36	de Morton, Helene Maude .. .	Victorian Baby Health Centres Association
502A	1.5.36	Dudley, Violet .. .	Tandarra Mothercraft Training School
503A	1.5.36	Graham, Alice Thelma .. .	Presbyterian Babies Home
505A	1.5.36	Prust, Alice Jean .. .	Tweddle Baby Hospital
509A	5.6.36	Wilson, Lesley .. .	Victorian Baby Health Centres Association
510A	5.6.36	Shaw, Daisy .. .	Presbyterian Babies Home
511A	10.7.36	Marousen, Veronica May .. .	Victorian Baby Health Centres Association
514A	21.8.36	Holmes, Alison Mildred .. .	Victorian Baby Health Centres Association
515A	21.8.36	Lewes, Elaine Millicent .. .	Tweddle Baby Hospital
516A	21.8.36	Martin, Mary Catherine .. .	Victorian Baby Health Centres Association
519A	21.8.36	Sayle, Edith Mary .. .	Presbyterian Babies Home
520A	21.8.36	Shoobridge, Helena Mary W. .. .	Victorian Baby Health Centres Association
521A	21.8.36	Stafford, Kathleen Madge .. .	Victorian Baby Health Centres Association
522A	21.8.36	Webster, Winifred Agnes .. .	Tandarra Mothercraft Training School
524A	9.10.36	Chitty (née Lang), Mary Cowan .. .	Tandarra Mothercraft Training School
525A	9.10.36	Phillips, Phyllis Lilian .. .	Tandarra Mothercraft Training School
529A	11.12.36	Hayes, Lillian Blanche .. .	Victorian Baby Health Centres Association
530A	11.12.36	Marsh, Dorothy .. .	Presbyterian Babies Home
532A	11.12.36	Shillum (née Magarey), Elizabeth Jean .. .	Tandarra Mothercraft Training School
533A	11.12.36	Stafford, Elsie McClelland .. .	Victorian Baby Health Centres Association
534A	11.12.36	Turnbull, Marjorie Edith .. .	Tweddle Baby Hospital
536A	5.2.37	Dray, Edna Nita .. .	Tweddle Baby Hospital
537A	5.2.37	Envall, Louisa Grace .. .	Tandarra Mothercraft Training School
538A	5.2.37	Foster, Hilda Charlotte .. .	Presbyterian Babies Home
539A	5.2.37	Granfors, Sophio .. .	Victorian Baby Health Centres Association
542A	5.2.37	Lewis, Elsie May .. .	Victorian Baby Health Centres Association
543A	5.2.37	McNab, Elsie Lillian .. .	Tweddle Baby Hospital
545A	5.2.37	Shalley, Mary Josepha .. .	Victorian Baby Health Centres Association
547A	5.2.37	Wright, Dorothy Miriam .. .	Tandarra Mothercraft Training School
550A	9.4.37	Dossetor, Catherine Louisa .. .	Victorian Baby Health Centres Association
552A	9.4.37	Hausor, Gladys Eileen .. .	Tandarra Mothercraft Training School
554A	9.4.37	Smith, Elmie Isabel .. .	Victorian Baby Health Centres Association
555A	9.4.37	Tainsh, Alice Isabel .. .	Victorian Baby Health Centres Association
556A	9.4.37	Wallis, Frances Mary .. .	Tandarra Mothercraft Training School
558A	7.5.37	Crittenden, Jean Hilda .. .	Tandarra Mothercraft Training School
559A	7.5.37	Mosey, Florence Bertha .. .	Victorian Baby Health Centres Association
560A	7.5.37	Woodhead (née Roberts), Hope .. .	Tandarra Mothercraft Training School
561A	7.5.37	Stoockton, Coral Hazel .. .	Tandarra Mothercraft Training School
563A	11.6.37	Hind, Clarice Elizabeth .. .	Tweddle Baby Hospital
564A	11.6.37	Josey, Vera Kathleen .. .	Victorian Baby Health Centres Association
565A	11.6.37	McKebary, (née Wells), Percia Erwynna .. .	Tandarra Mothercraft Training School
566A	6.8.37	Brown, Dorothy Officer .. .	Tandarra Mothercraft Training School
568A	6.8.37	Swingler (née Fields), Agnes .. .	Victorian Baby Health Centres Association
569A	6.8.37	Gaston, Kathleen Sylvia .. .	Victorian Baby Health Centres Association
570A	6.8.37	Muntz, Jean Eileen .. .	Victorian Baby Health Centres Association
571A	6.8.37	McLennan, Flora Christina .. .	Tandarra Mothercraft Training School
573A	6.8.37	Rankin, Bona Catherine .. .	Victorian Baby Health Centres Association

No.	Date.	Name.	Qualifications.
574A	6.8.37	Swanton, Ruth	Victorian Baby Health Centres Association
576A	3.9.37	Coulson, Beryl Christina	Tandarra Mothercraft Training School
577A	3.9.37	Hart, Beatrice Alice (Mrs.)	Victorian Baby Health Centres Association
579A	3.9.37	Hood, Marjorie Rita	Tweddle Baby Hospital
583A	3.9.37	Paton, Lucy	Tweddle Baby Hospital
584A	3.9.37	Rendell, Eileen Gordon	Tweddle Baby Hospital
586A	1.10.37	Ahorn, Kathleen Margaret	Victorian Baby Health Centres Association
587A	1.10.37	Howell, Mona Ruth	Tweddle Baby Hospital
589A	24.11.37	McKellar, Hilda Maude	Tweddle Baby Hospital
590A	24.11.37	O'Brien, Millicent Vera	Tweddle Baby Hospital
591A	24.11.37	Robson, Ida	Tweddle Baby Hospital
592A	24.11.37	Walker, Constance Kathleen	Tweddle Baby Hospital
593A	13.12.37	Bartholomew, Gwendoline E.	Tweddle Baby Hospital
594A	13.12.37	Mole, Gladys Elva	Victorian Baby Health Centres Association
595A	13.12.37	Rosozler, Rosa V. M.	Victorian Baby Health Centres Association
596A	18.2.38	Gilchrist, Alice Harrison	Victorian Baby Health Centres Association
597A	18.2.38	Millikan, Elsie Gwendoline	Victorian Baby Health Centres Association
598A	18.2.38	McGregor, Bossio Ray	Tandarra Mothercraft Training School
599A	18.2.38	Pannell, Laurel Elmes	Victorian Baby Health Centres Association
600A	18.2.38	Salmon, Clarissa Mary	Victorian Baby Health Centres Association
604A	17.3.38	Stillwell, Joan	Tandarra Mothercraft Training School
605A	8.4.38	Brock, Thorosa	Tweddle Baby Hospital
608A	8.4.38	Haughton, Vera Margaret	Victorian Baby Health Centres Association
609A	8.4.38	Houghton, Olive Nella	Victorian Baby Health Centres Association
610A	8.4.38	Houston, Edna	Presbyterian Babies Home
611A	8.4.38	Murphy, Irene Margaret	Tandarra Mothercraft Training School
612A	8.4.38	Murray, Constance Mary	Presbyterian Babies Home
615A	8.4.38	Coulston (née Pumphrey), Marion Agnes	Tweddle Baby Hospital
616A	8.4.38	Serpoll, Dorothy Grace	Victorian Baby Health Centres Association
617A	8.4.38	Spence, Nellie Brunel	Victorian Baby Health Centres Association
619A	6.5.38	Biggin, Frances Helen	Victorian Baby Health Centres Association
620A	6.5.38	Cooper, Elvie Elizabeth	Tweddle Baby Hospital
621A	6.5.38	Fagan, Wilhelmina Margaret	Victorian Baby Health Centres Association
622A	1.7.38	Muller (née Cowley), Gladys Muriel	Tweddle Baby Hospital
623A	5.8.38	Mitchell, Blanche	Truby King-Harris Hospital, Dunedin, New Zealand, April, 1938, Tweddle Baby Hospital, July, 1938 (Refresher Course)
624A	7.10.38	Hanley, Kathleen	Tandarra Mothercraft Training School, June, 1938
626A	14.11.38	Howard, Joyce Priscilla	Tweddle Baby Hospital, June 1938
627A	14.11.38	Stewart (née Montgomery), Mary Mavis	Tweddle Baby Hospital, June, 1938
628A	14.11.38	McGeever, Mary Linus	Tandarra Mothercraft Training School, February, 1938
629A	10.2.39	Triplett (née Adams), Grace	Victorian Baby Health Centres Association, July, 1938
630A	10.2.39	Haleoy, Doris May	Tweddle Baby Hospital, November, 1934
633A	10.2.39	Tiley, Lilian	Presbyterian Babies Home, October, 1938
634A	10.3.39	Bayton, Ida Mavis	Victorian Baby Health Centres Association, June, 1938
635A	10.3.39	Boator (née Beaumont), Inez Merideth	Tandarra Mothercraft Training School, June, 1938
636A	10.3.39	Ford, Nancy Ellen	Tandarra Training School, June, 1938
637A	10.3.39	Finn, Doris Josephine	Victorian Baby Health Centres Association, February, 1935
638A	10.3.39	Freeman, Elsi Wilgross	Tandarra Mothercraft Training School, October, 1938
639A	10.3.39	Kelsall, Lorraine Millie	Victorian Baby Health Centres Association, November, 1938
640A	10.3.39	Lawroy, Elsie Jean	Victorian Baby Health Centres Association, October, 1938
641A	10.3.39	Porter, Olive Sarah	Victorian Baby Health Centres Association, February, 1938
642A	10.3.39	Willott, Edna Jane	Victorian Baby Health Centres Association, October, 1938
643A	14.4.39	Ingleby, Ruperta Beatrice	Victorian Baby Health Centres Association, July, 1938
644A	14.4.39	Jenkins, Harriet May	Tweddle Baby Hospital, February, 1939
645A	14.4.39	McLennan, Kathleen Florence	Tandarra Mothercraft Training School, October, 1938
646A	14.4.39	Perry, Annie Stafford	Victorian Baby Health Centres Association, June, 1938
647A	14.4.39	Prendorgast, Constance Grace	Victorian Baby Health Centres Association, March, 1936
648A	14.4.39	Quin, Eileen Veronica	Victorian Baby Health Centres Association, July, 1938
651A	9.6.39	Chinner (née Dunstan), Elwyn Margaret	Presbyterian Babies Home, October, 1938
653A	9.6.39	Hollow, Faith	Tandarra Mothercraft Training School, October, 1938
654A	9.6.39	Jackson, Ethel May	Victorian Baby Health Centres Association, October, 1938
657A	4.8.39	Lyell, Doreen Maude	Tandarra Mothercraft Training School, June, 1938
658A	4.8.39	Martin, Elsie	Tweddle Baby Hospital, October, 1938
659A	4.8.39	Kelton (née Morrison), Jessie Grant	Victorian Baby Health Centres Association, February, 1939
660A	4.8.39	Rojo, Marjory Ronnetta	Victorian Baby Health Centres Association, February, 1939
661A	4.8.39	Vickers, Annie	Victorian Baby Health Centres Association, February, 1939
662A	4.8.39	Fetherston (née Walker), Eleanor Margaret	Victorian Baby Health Centres Association, February, 1939
663A	1.9.39	Anderson, Cecelia Jean	Tweddle Baby Hospital, June, 1939
664A	1.9.39	Flagg, Olive Frances	Victorian Baby Health Centres Association, February, 1939
666A	1.9.39	Martin, Helen Gwenyth	Tweddle Baby Hospital, June, 1939
669A	10.11.39	Newnham, Florence Ivy	Victorian Baby Health Centres Association, June, 1939
670A	10.11.39	Sheppard, Mavis Ellen G.	Tweddle Baby Hospital, June, 1939
672A	8.12.39	McCallum, Hannah Mary	Victorian Baby Health Centres Association, July, 1939
675A	9.2.40	Gladisch, Sister M. Augustinis	Tandarra Mothercraft Training School, October, 1939
676A	9.2.40	Webb (née Heading), Doris	Victorian Baby Health Centres Association, June, 1938
677A	9.2.40	Hufnagel, Sister M. Zaccaria	Tandarra Mothercraft Training School, October, 1939
678A	9.2.40	Lancaster, Bernardine Ellen	Victorian Baby Health Centres Association, March, 1939
679A	9.2.40	Lancaster, Mary Rose	Victorian Baby Health Centres Association, March, 1939
680A	9.2.40	Lyons, Euphemia Guthrie	Tandarra Mothercraft Training School, October, 1939
681A	9.2.40	Moden, Linda May	Victorian Baby Health Centres Association, November, 1939
682A	9.2.40	Phillips, Hazel	Tweddle Baby Hospital, February, 1939
683A	9.2.40	Smith (née Attiwill), Alice Marion	Victorian Baby Health Centres Association, July, 1939
684A	9.2.40	Smith, Marie	Tweddle Baby Hospital, October, 1939
685A	1.3.40	Bazeley, Mina Frances	Tandarra Mothercraft Training School, June, 1939
688A	19.4.40	Johnstone, May Dora Wickham	Victorian Baby Health Centres Association, March, 1940
689A	19.4.40	Little, Anne Bertha	Tandarra Mothercraft Training School, June, 1939
690A	19.4.40	Sainsbury, Sybil Ray	Tweddle Baby Hospital, February, 1940
691A	19.4.40	Sawyer, Marma Adele	Victorian Baby Health Centres Association, February, 1940
692A	3.5.40	Collins, Nellie Margaret Elizabeth	Victorian Baby Health Centres Association, March, 1940

No.	Date.	Name.	Qualifications.
693A	3.5.40	Mesley, Madge	Tandarra Mothercraft Training School, February, 1938
695A	3.5.40	Lay, Ella Marion	Tweddle Baby Hospital, February, 1940
696A	7.6.40	Carter, (née Vince), Marjorie	Tandarra Mothercraft Training School, October, 1938
697A	7.6.40	Mounsey, Edna May	Victorian Baby Health Centres Association, November, 1939
698A	12.7.40	Miller, Muriel Margaret	Tweddle Baby Hospital, October, 1939
701A	2.8.40	Oakos, Rhoda Jean	Tandarra Mothercraft Training School, June, 1940
703A	13.9.40	Grant, Isabel Jossie	Victorian Baby Health Centres Association, June, 1940
704A	13.9.40	Hellicar, Letitia Jocelyn	Victorian Baby Health Centres Association, June, 1940
706A	13.9.40	Luly, Gwendolen	Victorian Baby Health Centres Association, June, 1940
708A	13.9.40	Schrader, Eunice	Tweddle Baby Hospital, June, 1938
709A	13.9.40	Sheehan, Dorothy Mary	Victorian Baby Health Centres Association, November, 1939
710A	13.9.40	Vickers, Bessie Hannah	Tandarra Mothercraft Training School, June, 1940
712A	4.10.40	Renkin, Lettie Mary	Victorian Baby Health Centres Association, June, 1940
713A	1.11.40	Tresidder, Edith Kathleen	Victorian Baby Health Centres Association, July, 1940
714A	13.13.40	Ling, Doris Blatchford	Victorian Baby Health Centres Association, February, 1931
717A	14.2.41	Doig, Dorothy Julia	Tweddle Baby Hospital, October, 1938
718A	14.2.41	Fenton, Margaret Glen	Victorian Baby Health Centres Association, February, 1940
719A	14.2.41	Little, Elsie Agnes Constance	Tweddle Baby Hospital, October, 1940
720A	14.2.41	Shrimpton, Jean Elisabeth	Tweddle Baby Hospital, June, 1940
722A	14.2.41	Sturm, Doreen Nellie	Tweddle Baby Hospital, October, 1940
723A	14.3.41	Kimber, Kathleen Flora S.	Tresillian Mothercraft Training School, Sydney, N.S.W., June, 1936. Tandarra Mothercraft Training School, October, 1940, Refresher Course
724A	14.3.41	Reid (née Wilson), Beatrice Annette	Tandarra Mothercraft Training School, October, 1938
725A	4.4.41	Ferry, Elaine Mary	Tweddle Baby Hospital, February, 1941
726A	4.4.41	Rees, Linda Annie	Tweddle Baby Hospital, February, 1941
727A	4.4.41	Wilcox, Mabel Josephine	Tweddle Baby Hospital, February, 1941
728A	2.5.41	Cameron, Sylvia Millicent	Tweddle Baby Hospital, February, 1941
729A	2.5.41	Hargreaves, Elsie (Mrs.)	Victorian Baby Health Centres Association, February, 1941
730A	2.5.41	Howlett, Myrtle Amella	Victorian Baby Health Centres Association, November, 1940
731A	13.6.41	Birmingham, Mary Elizabeth	Victorian Baby Health Centres Association, February, 1941
732A	13.6.41	Broom, Beryl Constance	Victorian Baby Health Centres Association, March, 1941
734A	13.6.41	McMenamin, Betty Joan	Tandarra Mothercraft Training School, February, 1941
735A	13.6.41	Preston, Alice Edith	Victorian Baby Health Centres Association, February, 1941
737A	13.6.41	Tresidder, Frances	Victorian Baby Health Centres Association, February, 1941
739A	11.7.41	Firmin, Ellen Catherine	Tandarra Training School, February, 1941
740A	11.7.41	Fry, Florence Mary Elizabeth	Victorian Baby Health Centres Association, October, 1940
741A	11.7.41	Price, Rosaleen Martha	Victorian Baby Health Centres Association, March, 1941
744A	1.8.41	Treasure (née Condon), Floris Ethel Agnes	Victorian Baby Health Centres Association, February, 1941
745A	1.8.41	Foran, Ethel May D.	Tweddle Baby Hospital, June, 1939
746A	1.8.41	Henderson, Isabel	Tandarra Mothercraft Training School, February, 1941
748A	1.8.41	Login (née Lynch), Mary Margaret	Victorian Baby Health Centres Association, October, 1938
750A	1.8.41	Wade (née Opie), Elsie Fraser	Presbyterian Babies Home, 1933
751A	5.9.41	Donovan, Amy Madelene	Tandarra Mothercraft Training School, June, 1941
753A	5.9.41	Main, Bertha Looie Findlay	Victorian Baby Health Centres Association, October, 1940
755A	5.9.41	Steel, Frances Mary Isobel	Tandarra Mothercraft Training School, June, 1941
756A	5.9.41	Robinson, Olive Edna	Victorian Baby Health Centres Association
757A	14.11.41	Cole, Joan Margaret	Victorian Baby Health Centres Association, October, 1940
758A	19.12.41	Canty, Anne Monica	Victorian Baby Health Centres Association, November, 1941
759A	19.12.41	Devereux, Mary Valentine	Victorian Baby Health Centres Association
760A	19.12.41	Harvie, Gwendoline May	Tweddle Baby Hospital, October, 1941
762A	19.12.41	Simkin, Margaret Jean	Victorian Baby Health Centres Association, June, 1941
763A	19.12.41	Stoneman, Gladys Ellen	Victorian Baby Health Centres Association, October, 1940
764A	19.12.41	Thomas, Emma Harriet Verna	Presbyterian Babies Home
765A	19.12.41	Wilson, Margaret	Tweddle Baby Hospital, October, 1941
766A	6.2.42	Herman, Ellen Elizabeth	Victorian Baby Health Centres Association, June, 1941
767A	6.2.42	Howell, Maud Marion	Victorian Baby Health Centres Association, October, 1941
768A	6.2.42	McKay, Violet Isobel	Victorian Baby Health Centres Association, November, 1941
769A	6.2.42	Sutherland, Lily	Victorian Baby Health Centres Association, November, 1941
770A	6.2.42	Watson, Thyra Isabel	Victorian Baby Health Centres Association, June, 1941
771A	6.3.42	Beveridge, Wilma Sarah	Tweddle Baby Hospital, October, 1941
772A	6.3.42	Duncan, Doris Winnifred	Victorian Baby Health Centres Association, July, 1941
773A	6.3.42	Gribble, Lenis Mary	Tandarra Training School, October, 1941
774A	6.3.42	King (née Reid), Hope Cumming	Victorian Baby Health Centres Association, June, 1941
775A	27.3.42	Anderson, Jean	Victorian Baby Health Centres Association, October, 1941
776A	27.3.42	Gayford, Ethel	Tweddle Baby Hospital, October, 1941
778A	27.3.42	Noske, Alma Clara	Victorian Baby Health Centres Association, October, 1941 (two months), refresher Course. Mothercraft Training Society, Certificate No. 8a4, England, four months, dated 19th September, 1938
780A	1.5.42	Binks, Heather Irene	Tweddle Baby Hospital, December, 1941
782A	1.5.42	Orton, Marjory Isabel	Victorian Baby Health Centres Association, February, 1942
783A	1.5.42	Wilson, Mary Gratton	Tweddle Baby Hospital, October, 1938
784A	5.6.42	Stephon, Catherine Lucy	Presbyterian Babies Home, June, 1941
786A	3.7.42	Marfell, Mirth Amelia	Tweddle Baby Hospital, February, 1942
787A	7.8.42	Brown, Beatrice Grace	Tweddle Baby Hospital, June, 1942
788A	7.8.42	Prentice, Vivian Betty	Tweddle Baby Hospital, February, 1942
789A	4.9.42	Carr, Sarah	Tweddle Baby Hospital, June, 1942
790A	4.9.42	Hardingham, Edith Whitwell	Tweddle Baby Hospital, June, 1942
791A	4.9.42	Maguire, Ann Isobel	Victorian Baby Health Centres Association Training School, July, 1941
792A	4.9.42	McCormack, Sheila Margaret	Tweddle Baby Hospital, June, 1942
793A	2.10.42	Shawcroft (née Horsburgh), Joan Walsh	Victorian Baby Health Centres Association Training School, June, 1942
794A	2.10.42	Long, Nancy Winifred	Tweddle Baby Hospital, June, 1942
795A	2.10.42	Richards, Mona Bell	Victorian Baby Health Centres Association Training School, June, 1942
797A	6.11.42	Myles, Helena Frances	Victorian Baby Health Centres Association Training School, June, 1942

No.	Date.	Name.	Qualifications.
798A	6.11.42	Neave, Doris May	Victorian Baby Health Centres Association Training School, June, 1942
799A	11.12.42	Hunter, Jessie Livingstone	Victorian Baby Health Centres Association Training School, July, 1942
800A	11.12.42	Marshall, Elsie Hannah	Victorian Baby Health Centres Association Training School, June, 1942
801A	11.12.42	O'Connor, Mary Elizabeth	Victorian Baby Health Centres Association Training School, February, 1942
802A	11.12.42	Smith, Margaret Agnes	Victorian Baby Health Centres Association Training School, February, 1938
803A	5.2.43	Colombini (<i>née</i> Wiseman), Mary Isabel	Victorian Baby Health Centres Association Training School, March, 1936
804A	5.2.43	Lovett, Mabel Julia	Tweddle Baby Hospital, October, 1942
807A	5.3.43	Coutts, Jean Beatrice	Victorian Baby Health Centres Association Training School, February, 1942
810A	5.3.43	Westcott, Kathleen	Victorian Baby Health Centres Association Training School, November, 1942
811A	2.4.43	Dean (<i>née</i> Crick), Marjorie Louisa	Victorian Baby Health Centres Association Training School, November, 1940
812A	2.4.43	Hill (<i>née</i> Tucker), Mary Ursula	Karitane Baby Hospital, Dunedin, New Zealand, June, 1919
813A	2.4.43	Ross, Caroline	Tweddle Baby Hospital, October, 1942
814A	2.4.43	Walker, Joyce Lilian	Tweddle Baby Hospital, April, 1943
815A	7.5.43	Holmes (<i>née</i> Austin), Gladys Ruth	Tweddle Baby Hospital, February, 1943
816A	7.5.43	Baker, Violet Ihelma	Victorian Baby Health Centres Association, February, 1943
817A	7.5.43	Everingham, Hazel Jean	Presbyterian Babies Home, February, 1943
818A	7.5.43	Glennie (<i>née</i> Waterhouse), Mona Elvie Maureen	Tweddle Baby Hospital, November, 1943
819A	7.5.43	Harrison, Clarice Elsa	Victorian Baby Health Centres Association Training School, March, 1943
820A	7.5.43	Hitchcock, Emily de Putron	Victorian Baby Health Centres Association Training School, March, 1943
821A	7.5.43	Kirk, Margaret	Victorian Baby Health Centres Association Training School, February, 1943
822A	7.5.43	Lyons, Anna Henrietta	Tresillian Mothercraft Training School, N.S.W., June, 1937 (by reciprocal registration under Nurses Regulation 1941, amended)
823A	7.5.43	MacDougall, Dorothea Glaede	Victorian Baby Health Centres Association Training School, February, 1943
824A	7.5.43	Martin, Mary Lucy	Tweddle Baby Hospital, February, 1943
825A	7.5.43	Mathison, Annie Gwendoline	Tandarra Mothercraft Training School, February, 1938
826A	7.5.43	Monger, Dorothy Bettine	Tweddle Baby Hospital, February, 1943
827A	7.5.43	Mousley, Joyce Muriel	Tweddle Baby Hospital, February, 1943
828A	7.5.43	O'Brien, Kathleen Veronica	Victorian Baby Health Centres Association Training School, February, 1943
829A	7.5.43	Stephen, Emily Esther	Presbyterian Babies Home, February, 1943
830A	7.5.43	Stone, Janet Laura	Tweddle Baby Hospital, February, 1943
831A	7.5.43	Thomson, Grace Margaret	Tweddle Baby Hospital, October, 1942
832A	4.6.43	Beadel (<i>née</i> Gocher), Helen Mary	Victorian Baby Health Centres Association Training School, February, 1943
833A	4.6.43	Davoren, Florence Mary	Victorian Baby Health Centres Association Training School, February, 1943
834A	4.6.43	Macdowell, Mary Florence Champ	Victorian Baby Health Centres Association Training School, June, 1942
835A	4.6.43	O'Keefe, Elizabeth	Victorian Baby Health Centres Association Training School, February, 1943
836A	6.8.43	Baglin, Elizabeth Constance	Victorian Baby Health Centres Association Training School, November, 1942
837A	6.8.43	Belcher, Alice Mary	Tweddle Baby Hospital, June, 1943
839A	6.8.43	Hovey, Joyce Mary	Tweddle Baby Hospital, June, 1943
840A	6.8.43	McCay, Dulcie Ella Lal	Presbyterian Babies Home, February, 1943
841A	6.8.43	Parsons, Marion Iris	Tweddle Baby Hospital, June, 1943
842A	6.8.43	Smith, Frances Mary	Victorian Baby Health Centres Association Training School, October, 1942
843A	6.11.42	Crimmins, Margaret	Victorian Baby Health Centres Association Training School, March, 1942
844A	3.9.43	Anderson (<i>née</i> Horsefield), Annie	Tweddle Baby Hospital, May, 1943
846A	3.9.43	Eley, Ida Margaret	Presbyterian Babies Home, June, 1943
847A	3.9.43	Lamb, Kathleen Isabel	Victorian Baby Health Centres Association Training School, June, 1943
848A	1.10.43	Allitt, Heather	Tweddle Baby Hospital, June, 1943
849A	1.10.43	Geldart, Evelyn Irene	Victorian Baby Health Centres Association Training School, June, 1943
850A	1.10.43	O'Neill, Eileen Veronica	Victorian Baby Health Centres Association Training School, June, 1943
851A	5.11.43	Burns, Edna	Victorian Baby Health Centres Association, June, 1941
852A	5.11.43	Hoath, Dorothy Stella	Victorian Baby Health Centres Association, July, 1943
853A	5.11.43	Simons, Joan Agnes	Victorian Baby Health Centres Association, June, 1943
854A	5.11.43	Templeton, Doris Elma	Victorian Baby Health Centres Association, June, 1943
856A	17.12.43	Duncan, Agnes Elizabeth Mitchell	Presbyterian Babies Home, June, 1943
857A	17.12.43	Horwood, Olive Elizabeth	Victorian Baby Health Centres Association, February, 1942
858A	11.2.44	Allen, Una	Victorian Baby Health Centres Association, October, 1943
859A	11.2.44	Knight (<i>née</i> Brideson), Ethel Irene	Victorian Baby Health Centres Association, October, 1943
860A	11.2.44	Lechte, Dorothy Frederica	Tandarra Infant Welfare Training School, November, 1936
862A	11.2.44	McNair, Jean Caroline Mary	Presbyterian Babies Home, Training School, October, 1942
863A	11.2.44	Nicholson, Evelyn Eunice	Victorian Baby Health Centres Association Training School, October, 1943
864A	11.2.44	Ritchie, Margaret Rubina	Tweddle Baby Hospital, October, 1943
865A	11.2.44	Sexton (<i>née</i> Halls), Doreen Mandeville	Presbyterian Babies Home, June, 1943
866A	11.2.44	Warr, Joyce Elaine	Victorian Baby Health Centres Association Training School, October, 1943

No.	Date.	Name.	Qualifications.
867A	11.2.44	White, Vera	Tweddle Baby Hospital, October, 1943
869A	3.3.44	Tanner, Shirley Livingstone	Victorian Baby Health Centres Association Training School, October, 1939
870A	3.3.44	Weir, Gwenyth Letitia	Tandarra Infant Welfare Training School, March, 1935
871A	31.3.44	Fahey, Kathleen Mary	Tresillian Homes—Royal Society for Welfare of Mothers and Babies, N.S.W., June to October, 1938
872A	31.3.44	Grayden, Lorna Mary	Victorian Baby Health Centres Association Training School
873A	28.4.44	Joyce, Patricia Clare	Tweddle Baby Hospital, March, 1944
874A	28.4.44	Stewart, Mary Oliphant	Victorian Baby Health Centres Association Training School, October, 1943
876A	2.6.44	Blaubaum, Elisabeth	Presbyterian Babies Home, Camberwell, February, 1944
877A	2.6.44	Miller, Myrtle	Tweddle Baby Hospital, February, 1944
878A	2.6.44	Saphir, Esther	Royal New Zealand Society—Truby King—Harris Hospital, Dunedin, March, 1939
879A	7.7.44	Huntingford (née Thomas), Florence Lottie	Victorian Baby Health Centres Association, February, 1944
880A	4.8.44	Brodie, Sophia Genoe	Victorian Baby Health Centres Association, November, 1940
881A	4.8.44	Day, Alison Joan	Victorian Baby Health Centres Association, February, 1944
882A	4.8.44	Edge, Ethel Lois	Victorian Baby Health Centres Association, February, 1944
883A	4.8.44	Ferguson, Dorothy May	Tweddle Baby Hospital, October, 1942
884A	4.8.44	Gove, Ilma Esca	Victorian Baby Health Centres Association, June, 1943
885A	4.8.44	Johnson, Elizabeth	Victorian Baby Health Centres Association, February, 1944
886A	4.8.44	McMullan, Kathleen	Australian Mothercraft Society (Plunkett System), Sydney, N.S.W., July, 1931
887A	4.8.44	Mason (née Perrin), Kathleen Mary	Royal New Zealand Society for Women and Children, Karitane, Harris Hospital, Dunedin, New Zealand, April, 1934, four months
888A	4.8.44	Saario, Lila Beatrice	Victorian Baby Health Centres Association, February, 1944
889A	1.9.44	Jamieson, Ruth Liliis Isabel	Presbyterian Babies Home, March, 1944
891A	1.9.44	McCulloch, Dorothy Constance	Tweddle Baby Hospital, June, 1944
892A	1.9.44	Ross, Evelyn Constance	Tweddle Baby Hospital, June, 1944
893A	1.9.44	Stafford, Ruth Elizabeth	Presbyterian Babies Home, June, 1944
894A	6.10.44	Buckley, Isabell Gertrude Letitia	Victorian Baby Health Centres Association, February, 1944
895A	6.10.44	McFecters, Olive Margaret	Victorian Baby Health Centres Association, June, 1944
896A	6.10.44	McDonald (née Smith), Veronica Margaret	Presbyterian Babies Home, June, 1944
898A	6.10.44	Ulrich (née Austin), Una Florence	Child Welfare Training Centre, Queensland, November, 1942, Certificate of Registration, Queensland, 7124
899A	15.12.44	Anderson, Rose Wynna	Presbyterian Babies Home
900A	15.12.44	Belfrage, Hazel Esther	Presbyterian Babies Home
901A	15.12.44	Cook, Inez Lilian	Victorian Baby Health Centres Association, June, 1944
902A	15.12.44	Gray, Shirley Olive	Victorian Baby Health Centres Association, June, 1944
903A	15.12.44	Gascott, Joyce Marie	Presbyterian Babies Home, February, 1944
904A	15.12.44	McKay, Jeanette Mabel	Victorian Baby Health Centres Association, June, 1944
905A	15.12.44	Davis (née Robinson), Joan Hyde	Victorian Baby Health Centres Association, June, 1944
907A	15.12.44	Swalling, Annie L. A.	Presbyterian Babies Home, October, 1944
908A	15.12.44	Thornton, Olive Alixe	Tweddle Baby Hospital, October, 1944
910A	9.2.45	Aumann, Winifred Margaret	Tweddle Baby Hospital, October, 1944
911A	9.2.45	Bundy, Eva Frances Sobina Isobel Gilmore	Victorian Baby Health Centres Association Training School, October, 1944
912A	9.2.45	Buxton, Evangeline Mary	Presbyterian Babies Home, October, 1944
913A	9.2.45	O'Hagan (née Adendorff), Susara Magretha	Tweddle Baby Hospital, October, 1944
914A	9.2.45	Stephenson, Edith May	Victorian Baby Health Centres Association Training School, October, 1944
915A	9.2.45	Walsh, Patricia Agnes	Tweddle Baby Hospital, February, 1944
916A	9.2.45	Wortley, Ellen Winifred	Victorian Baby Health Centres Association Training School, June, 1944
917A	9.2.45	Hagelthorn, Mary	Victorian Baby Health Centres Association, October, 1944
918A	9.3.45	Briggs, Phyllis Muriel	Victorian Baby Health Centres Association Training School, June, 1944
920A	9.3.45	Jennings (née Mackintosh), Janet Lucy	Victorian Baby Health Centres Association Training School, March, 1945
921A	13.4.45	Booth, Ruby Alberta	Victorian Baby Health Centres Association Training School, 31st October, 1944
922A	13.4.45	Orton, Adelaide Flora	Victorian Baby Health Centres Association Training School, October, 1944
923A	13.4.45	Parkinson, Joan	Victorian Baby Health Centres Association Training School, February, 1944
924A	13.4.45	Taylor, Joyce Rita	Victorian Baby Health Centres Association Training School, October, 1944
925A	11.5.45	Buchanan (née Mackay), Margaret Nicholan	Tweddle Baby Hospital, February, 1945
926A	11.5.45	Higgins, Edith Florence	Tweddle Baby Hospital, March, 1945
927A	11.5.45	Langley, Maud	Tweddle Baby Hospital, February, 1945
928A	11.5.45	Thomson (née Gray), Gladys Lorna	Tresillian Mothercraft Training School, Sydney, N.S.W., October, 1940, to February, 1941
929A	11.5.45	Weppner, Frances Mary	Tweddle Baby Hospital, February, 1945
930A	8.6.45	Hemphill, Lorna Merle	Victorian Baby Health Centres Association Training School, October, 1944
931A	8.6.45	Luker, Thelma Elizabeth	Presbyterian Babies Home, February, 1945
932A	8.6.45	Marwitz, Bertha Doris Hildgard	Tweddle Baby Hospital, February, 1945
934A	13.7.45	Avery, Leitha Mavis	Victorian Baby Health Centres Association Training School, February, 1936
935A	13.7.45	Campbell, Harriett Bessie	Victorian Baby Health Centres Association Training School, February, 1945
936A	13.7.45	Smith, Constance	Victorian Baby Health Centres Association Training School, February, 1945
937A	13.7.45	Whiteside, Pearl Bortha	Victorian Baby Health Centres Association Training School, March, 1945
939A	10.8.45	Good, Bertha Minnie	Victorian Baby Health Centres Association Training School, February, 1945

No.	Date.	Name.	Qualifications.
940A	10. 8. 45	Johns, Flora Jean	Victorian Baby Health Centres Association Training School, February, 1945
941A	10. 8. 45	Lyne, Nancy Edith	Victorian Baby Health Centres Association Training School, March, 1943
942A	10. 8. 45	Mansbridge (<i>née</i> Perry), Madge	Presbyterian Babies Home, August, 1945
943A	10. 8. 45	Miller, Estelle	Victorian Baby Health Centres Association Training School, February, 1945
944A	10. 8. 45	Perkins, Florenco May	Victorian Baby Health Centres Association Training School, February, 1945
945A	10. 8. 45	Smith, Mary	Presbyterian Babies Home, June, 1945
946A	10. 8. 45	Stiffe, Frances Joan	Victorian Baby Health Centres Association Training School, February, 1945
947A	10. 8. 45	Ward, Elvie Estella	Karitane Baby Hospital, New Zealand, April, 1931
948A	10. 8. 45	Willott, Violet May	Presbyterian Babies Home, July, 1945
949A	10. 8. 45	Wilkie, Marjorie Linn	Presbyterian Babies Home, June, 1945
950A	7. 9. 45	Gendle, Joan Marjorie	Presbyterian Babies Home, June, 1945
951A	7. 9. 45	Logan, Eleanor Mary	Tandarra Training School
952A	7. 9. 45	Maher, Annie Kathleen	Tweddle Baby Hospital, June, 1945
954A	7. 9. 45	McDonald, Jessie Mavis	Tweddle Baby Hospital, June, 1945
956A	7. 9. 45	Steele, Olive Eileen	Victorian Baby Health Centres Association Training School, February, 1945
957A	12. 10. 45	Embling, Clarice Audrey	Tweddle Baby Hospital, June, 1945
958A	12. 10. 45	Hiller, Edna Violet	Victorian Baby Health Centres Association, June, 1945
959A	12. 10. 45	Matters, Rose	Trosillian Training School, Sydney, N.S.W., June, 1945, four months
960A	12. 10. 45	Mitchell, Frances Jean	Presbyterian Babies Home, June, 1945
961A	12. 10. 45	Whyte, Amelia Emily	King Edward Memorial Hospital, Subiaco, W.A. W.A. Cert. of Reg., August, 1944
962A	9. 11. 45	Lade, Gladys	Royal New Zealand Society for Health of Women and Children, August, 1929
963A	9. 11. 45	Scott, Millicent Mona	The Australian Society, Sydney, N.S.W., August, 1945
964A	9. 11. 45	Kellan, Elsie Isobell Emma	Victorian Baby Health Centres Association Training School, 30th June, 1945
965A	14. 12. 45	Hall, Alice Mary	Karitane Baby Hospital, August, 1942
966A	14. 12. 45	Horner, Nancy Joyce	Victorian Baby Health Centres Association Training School, June, 1945
967A	14. 12. 45	Laidlaw, Marion	Presbyterian Babies Home, October, 1945
968A	14. 12. 45	Nicoll, Margery Cameron	Victorian Baby Health Centres Association Training School, October, 1944
969A	14. 12. 45	Place, Jessie McBean	Tweddle Baby Hospital, October, 1945
970A	14. 12. 45	Pretty, Beryl	Victorian Baby Health Centres Association Training School, June, 1945
971A	14. 12. 45	Thomas, Freda May	Presbyterian Babies Home, October, 1945
972A	14. 12. 45	Usebach (<i>née</i> Lavery), Ethel	Victorian Baby Health Centres Association Training School, June, 1945
973A	15. 2. 46	Adamson, Elvian Rebecca	Victorian Baby Health Centres Association Training School, June, 1945
974A	15. 2. 46	Allman, Mary Pauline	Tweddle Baby Hospital, October, 1945
975A	15. 2. 46	Anderson, Bessie Margaret	Presbyterian Babies Home, February, 1945
976A	15. 2. 46	Banner, Daisy Margaret	Victorian Baby Health Centres Association Training School, October, 1945
977A	15. 2. 46	Blackwell, Gladys Evelyn	Tresillian Training School, Sydney, N.S.W.
978A	15. 2. 46	Cannon, Mavis Emily	Tweddle Baby Hospital, October, 1945
979A	15. 2. 46	Day, Lorna Marie	Tweddle Baby Hospital, October, 1943
980A	15. 2. 46	Dunell (<i>née</i> Cheesman), Esmé Weldon	Victorian Baby Health Centres Association Training School, October, 1945
981A	15. 2. 46	Evans, Doris Louisa	Presbyterian Babies Home, February, 1945
982A	15. 2. 46	Ford, Ivy Florence	Presbyterian Babies Home, October, 1945
983A	15. 2. 46	Gibbs, Caroline Marjorie	Karitane-Harris Hospital, Dunedin, New Zealand, December, 1942
984A	15. 2. 46	Goodman, Payline Mary	Tweddle Baby Hospital, October, 1943
985A	15. 2. 46	Palm, Lorna Jean	Victorian Baby Health Centres Association Training School, June, 1945
986A	15. 2. 46	Rowe, Jessie Pearl	Tresillian Homes, Sydney, N.S.W., February, 1941
987A	15. 2. 46	Weatherall, Ada Hope	Tweddle Baby Hospital, October, 1945
988A	8. 3. 46	Mummary, Cynthia Rose	King Edward Memorial Hospital, Subiaco, W.A., June, 1938
989A	8. 3. 46	Rundlo, Verna	Victorian Baby Health Centres Association, June, 1945
990A	12. 4. 46	Becher, Katherine Margaret	Karitane Mothercraft Training Centre, Sydney, August, 1944
991A	12. 4. 46	Brooke, Marguerite Lucy	Australian Mothercraft Society, Queensland, December, 1928
992A	12. 4. 46	Moore, Ida Lilian	Child Welfare Training School, January, 1930, Queensland Child Welfare Reg. Cert. No. 488, August, 1930
993A	12. 4. 46	Robertson, Alice Johan	Victorian Baby Health Centres Association Training School, October, 1945
994A	10. 5. 46	Dunstone, Linda Mary Elizabeth	Victorian Baby Health Centres Association Training School, October, 1945
995A	10. 5. 46	Kelly, Nan Joan Domville	Tweddle Baby Hospital, October, 1945
996A	10. 5. 46	McIntyre, Elsie Irene	Tresillian Training School, N.S.W., October, 1937, four months
997A	10. 5. 46	Winter-Irving, Brigid Catherine	Victorian Baby Health Centres Association Training School, October, 1945
998A	14. 6. 46	Clarko, Ada Frances	Victorian Baby Health Centres Association Training School, February, 1946
999A	14. 6. 46	Holmes, Flora Jean	Victorian Baby Health Centres Association, June, 1941
1000A	14. 6. 46	Miers, Marjorie Joan	Victorian Baby Health Centres Association Training School, February, 1946
1001A	14. 6. 46	Morrissey, Nonie Celino	Victorian Baby Health Centres Association Training School, October, 1941
1002A	14. 6. 46	Rust, Margaret Jean	Presbyterian Babies Home, February, 1946
1003A	14. 6. 46	Tait, Jessie McPherson	Presbyterian Babies Home, February, 1946
1004A	14. 6. 46	Walters, Nina	Victorian Baby Health Centres Association Training School, October, 1945

No.	Date.	Name.	Qualifications
1005A	12.7.46	Hollonds, Forsythe Helen	Victorian Baby Health Centres Association Training School, February, 1946
1006A	12.7.46	Northcott, Helen Whitfield	Victorian Baby Health Centres Association Training School, February, 1946
1007A	12.7.46	O'Hair, Patricia Thorsa	Australian Mothercraft Society, Karitane, N.S.W.
1008A	12.7.46	Perryman, Dorothy	King Edward Memorial Hospital, W.A., November, 1932. W.A. Reg. No. 250, June, 1944
1009A	12.7.46	Rowe, Mary Elizabeth	Victorian Baby Health Centres Association Training School, October, 1945
1010A	9.8.46	Hutchison, Doris Edna	Tresillian Training School, Sydney, N.S.W., four months, June, 1935
1011A	9.8.46	Reid, Christina	Presbyterian Babies Home, June, 1946
1012A	9.8.46	Robson, Alice Jane	Victorian Baby Health Centres Association Training School, February, 1946
1013A	9.8.46	Thompson, Nancy Caroline	Presbyterian Babies Home, four months, October, 1944
1014A	9.8.46	Thornhill, Margaret Harvey	Tresillian Training School, Sydney, N.S.W., four months, February, 1946
1015A	9.8.46	Weston, Laura	Presbyterian Babies Home, February, 1946
1016A	13.9.46	Day, Thelma Mary Clough	Presbyterian Babies Home, June, 1946
1017A	13.9.46	Dyer, Elvie Yeoland	Presbyterian Babies Home, June, 1946
1018A	13.9.46	Foster, Barbara Maud	Victorian Baby Health Centres Association Training School, February, 1946
1019A	13.9.46	Lord, Emily Frances	Tweddle Baby Hospital, June, 1946
1020A	13.9.46	Loughry, Sheila Loretto	Tweddle Baby Hospital, June, 1946
1021A	13.9.46	Riley, Elva Mabel	Victorian Baby Health Centres Association Training School, September, 1946
1022A	13.9.46	Strickland, Alison Annie	Victorian Baby Health Centres Association Training School, June, 1946
1023A	11.10.46	Baker, Enid McLachlan J.	Victorian Baby Health Centres Association Training School, June, 1946
1024A	11.10.46	Beer (<i>née</i> Smith), Millicent June	Tweddle Baby Hospital June, 1946
1025A	11.10.46	Clifford, Henrietta Minnie	Victorian Baby Health Centres Association Training School, February, 1946
1026A	11.10.46	Feldhuhn, Erika Erna	Victorian Baby Health Centres Association Training School, June, 1946
1027A	11.10.46	Hoiles, Daisy Irene	Victorian Baby Health Centres Association Training School, June, 1946
1028A	11.10.46	Martin, Erica Douglas	Victorian Baby Health Centres Association Training School, June, 1946
1029A	8.11.46	Dowrick, Hazel May	King Edward Memorial Hospital, W.A., four months, December, 1937
1030A	8.11.46	Thomson, Ethel Maudo	Victorian Baby Health Centres Association Training School, November, 1946
1031A	13.12.46	Buxton, Jessie Katherine	Victorian Baby Health Centres Association Training School, June, 1946
1032A	13.12.46	Elliot, Mary Amelia	Victorian Baby Health Centres Association Training School, October, 1946
1033A	13.12.46	Goodin, Wilhelmina Edna	Victorian Baby Health Centres Association Training School, October, 1946
1034A	13.12.46	Searth, Kathleen	Tweddle Baby Hospital, October, 1946
1035A	13.12.46	Wright, Edna Noel	Victorian Baby Health Centres Association Training School, February, 1946
1036A	13.12.46	Watson, Laurel Jennie	Presbyterian Babies Home, October, 1946

The following are the Names of Nurses on the Register of Nurses at 31st December, 1946, to whom Special Certificates for care of Pre-School Child Nursing have been issued:—

No.	Date.	Name.	Qualifications.
1E	9.2.45	MacDougall, Dorothea Glaede	Kindergarten Training College, Kew, December, 1944
2E	9.3.45	Brodie, Sophie Genoe	Kindergarten Training College, Kew, December, 1944
3E	9.3.45	Ulrich, Una Florence	Kindergarten Training College, Kew, December, 1944
4E	12.10.45	Anderson, Jean	Kindergarten Training College, Kew, August, 1945
5E	12.10.45	Ford, Daisy Hillier	Kindergarten Training College, Kew, August, 1945
6E	9.11.45	Campbell, Olive Boyd	Kindergarten Training College, Kew, August, 1945
7E	12.7.46	Newnham, Madge Murray	Kindergarten Training College, Kew, May, 1946
8E	9.8.46	Mounsey, Edna May	Kindergarten Training College, Kew, May, 1946
9E	9.8.46	Mummery, Cynthia Rose	Kindergarten Training College, Kew, May, 1946
10E	13.9.46	Gibbs, Caroline Marjorie	Kindergarten Training College, Kew
11E	13.12.46	Bryant, Ellen May	Kindergarten Training College, Kew

The following are the Names of Nurses on the Register of Nurses at 31st December, 1946, to whom Special Certificates for Tuberculosis Nursing have been issued:—

No.	Date.	Name.	Qualifications.
2B	13.3.37	Trembath, Alice May	Austin Hospital
3B	11.6.37	Ashe, Grace	Austin Hospital
4B	11.6.37	Darke, Muriel Ellaline	Austin Hospital
5B	2.7.37	Martin, Elsie	Austin Hospital
6B	3.9.37	Bryant, Lavinia	Austin Hospital
8B	9.6.39	Jenkins, Alice Margaret	Austin Hospital, August, 1938
10B	19.4.40	Shannon, Joan Kathleen	Austin Hospital, November, 1939
11B	3.5.40	Coleman, Doris Lillian	Austin Hospital, November, 1939
12B	7.6.40	Ross, Emmaretta Mary	Austin Hospital, December, 1939
13B	1.8.41	Hodgson, Lydia May Adelaide	Austin Hospital, July, 1941
14B	14.11.41	Stevens, Lavinia Ellen	Austin Hospital, July, 1940
15B	14.11.41	Marshall, Marjorie Leam	Austin Hospital, March, 1941
16B	7.5.43	Erdman, Nita Lily	Austin Hospital, March, 1943
17B	7.5.43	Langford, Winifred Vincent	Austin Hospital, December, 1942
18B	7.5.43	Reeves, Maxine Elliot	Austin Hospital, February, 1943
19B	3.9.43	Clode, Thelma Oenone	Austin Hospital, April, 1943
20B	9.2.45	Sullivan, Edith Gould	Austin Hospital, June, 1944
21B	14.12.45	Whiteside, Joesie Evelyn	Austin Hospital
22B	15.2.46	Guild, Betty Ariell	Austin Hospital, September, 1945
23B	15.2.46	McLennan, Mary Isabel	Austin Hospital, July, 1945
24B	15.2.46	Wilson, Mary Elizabeth Grace	Austin Hospital, February, 1943
25B	14.6.46	Wilson, Kathleen Sinclair	Austin Hospital, February, 1946
26B	12.7.46	McQualter, Beatrice	Austin Hospital, November, 1945
27B	12.7.46	Sealey, Thelma Gertrude	Austin Hospital, January, 1946
28B	9.8.46	Wattie, Jessie Isabella	Austin Hospital, February, 1945

The following are the Names of Nurses on the Register of Nurses at 31st December, 1946, to whom Special Certificates for Orthopaedic Nursing have been issued:—

No.	Date.	Name.	Qualifications.
1c	4.8.39	Davies, Ellinor Kathleen	Children's Hospital, December, 1938
2c	4.8.39	Graham, Irene Maude	Children's Hospital, December, 1938
4c	6.10.39	Brindloy, Gertrude Elizabeth	Children's Hospital, December, 1938
5c	8.12.39	Morodith, Myra Ada	Children's Hospital, December, 1938
7c	13.12.40	Foster, Laura Adelino	Children's Hospital, March, 1940
9c	13.12.40	Richardson, Betty Howard	Children's Hospital, December, 1939
10c	9.3.45	Keirce, Thelma Margaret	Children's Hospital, December, 1944
11c	9.3.45	Milne, Mary Prentice	Children's Hospital, February, 1945
12c	9.3.45	Skinner, Margaret Maud	Children's Hospital, December, 1944
13c	13.7.45	Madden, Elizabeth Moreen	Children's Hospital, December, 1944
14c	13.7.45	Shaw, Isabella Margaret	Children's Hospital, December, 1944
15c	15.2.46	Wasley, Ruth Lillian	Children's Hospital, July, 1945
16c	9.8.46	Mason, Caris Mary	Children's Hospital, July, 1946

The following are the Names of Nurses on the Register of Nurses at 31st December, 1946, to whom Special Certificates for Infectious Diseases Nursing have been issued:—

No.	Date.	Name.	Qualifications.
1D	1.8.41	Hoath, Dorothy Stella	Q.M.I.D. Hospital, March, 1941
2D	1.8.41	Storrie, Alva Kolway	Q.M.I.D. Hospital, March, 1941
4D	6.3.42	Grayden, Lorna Mary	Q.M.I.D. Hospital, December, 1941
5D	7.5.43	Birrell, Eva Esmo	Q.M.I.D. Hospital, February, 1943
6D	5.11.43	McMahon, Margaret	Q.M.I.D. Hospital, August, 1943
7D	18.2.44	Graham, Alice Thelma	Q.M.I.D. Hospital, January, 1944
8D	1.9.44	Creighton, Norah	Q.M.I.D. Hospital, August, 1943
9D	6.10.44	Holmes, May Bortha	Q.M.I.D. Hospital, March, 1944
10D	3.11.44	Prior, Irene Mary	Q.M.I.D. Hospital, August, 1943
11D	9.2.45	Murphy, Ruby Eileen	Q.M.I.D. Hospital, July, 1944
12D	13.4.45	Eley, Ida Margaret	Q.M.I.D. Hospital, March, 1945
13D	13.4.45	Ohlenrott, Lois Harriett	Q.M.I.D. Hospital, January, 1945
15D	10.8.45	Fawcett, Elizabeth May	Q.M.I.D. Hospital
16D	7.9.45	Nicholson, Evelyn Eunice	Q.M.I.D. Hospital, June, 1944
17D	7.9.45	Thomas, Emma Verna Harriet	Q.M.I.D. Hospital, July, 1945
18D	14.12.45	Lawrence, Gertrude Muriel	Q.M.I.D. Hospital, October, 1945
19D	15.2.46	Foggo, Elizabeth McIntyre	Q.M.I.D. Hospital, April, 1945
20D	15.2.46	Kennedy, Joan Eva Sophia	Q.M.I.D. Hospital, July, 1945
21D	8.3.46	Yarwood, Edna Mary	Q.M.I.D. Hospital, January, 1944
22D	10.5.46	Kramer, Euphemia Faith	Q.M.I.D. Hospital, January, 1946
23D	13.9.46	Wilkinson, Clara Amelia	Q.M.I.D. Hospital, February, 1946
24D	13.12.46	Hooppell, Jean Emma Gertrude	Q.M.I.D. Hospital, July, 1946

The following are the Names of Nurses on the Register of Nurses at 31st December, 1946, to whom Special Certificates for Gynaecological Nursing have been issued:—

No.	Date.	Name.	Qualifications.
1F	12.7.46	Hardy, Sybil Adele Burton	Women's Hospital, Melbourne, 4 months, January, 1946
2F	13.12.46	MoLeod, Una Mary	Women's Hospital, Melbourne, 4 months, June, 1946

CHANGE OF NAME BY MARRIAGE DURING 1946.

Registration No.	Name.	Address.
12954	Adcock (née Young), Joyce Olive	105 Eleanor-street, Footscray
10356	Andrews (née Griffiths), Dorothy Margaret	263 Williamstown-road, Yarraville, W.13
1971	Atherton (née Byrnes), Florence Josephine	369 High-street, St. Kilda
2089	Baker (née Alsop), Lily	Bridge-street, Eltham
11541	Ballhauso (née Gilbert), Margaret Tabitha	Moama, New South Wales
12648	Baxter (née Gillman), Irene Joyce	1319 Waterdale-road, Heidelberg
11968	Bodbrook (née Page), Jessie Violet	49 Washington-street, Essendon
5906	Bennett (née Barber), Rachel Annie	Whorouby South, via Wangaratta
11402	Black (née King), Margaret Payne	224 Park-street, West Brunswick
10898	Boles (née Cummins), Lucy	Longwood, Victoria
5935	Bolger (née Anderson), Grace Lucy	74 Railway-road, Carnegie
7438	Booker (née Goss), Marion Grace	Hume-street, Rushworth
10887	Borgolt (née Armstrong), Una May	Worrargworm, via Gerang Gorung
7753	Borne (née Hendry), Marjory Lillian	35 Hodgkinson-street, Bendigo
7795	Brooker (née Stirling), Muriel Isobel	7 Talbot-crescent, Kooyong, S.E.4
12589	Bucknor (née Kennedy), Joan Eva Sophia	Brown Coal Mine, Yallourn
8990	Butler (née Redpath), Janet Marion	Benevolent Home, Bendigo
2633	Cadzow (née Pearce), Annie	529 Whitehorse-road, Surrey Hills
12987	Carey (née Lavington), Margaret Joy	11 Balmoral-crescent, Surrey Hills, E.10
13414	Casson (née Carr), Norma Josephine	60 Myrmong-crescent, Ascot Vale
12916	Carter (née Crawford), Marjorie	242 Albert-street, South Melbourne
1660	Cherry (née Liddy), Mary Veronica	28 Karma-avenue, East Malvern
11169	Christmas (née Wheeler), Alice Lillian	67 Dawson-street, Brunswick
8623	Clark (née Campbell), Mary Joyce	195 Victoria-parade, Fitzroy
12499	Cook (née Armstrong), Pamela Sturt	51 Yarra-street, Geelong
5527	Coombs (née Glasborow), Elizabeth Hildred	28 Daley-street, Bentleigh
5054	Cremwell (née Smith), Dorothy Louisa	1 Tara-street, Hawthorn East
10587	Crouch (née Faulkner), Jean	Long-street, Mentone, S.11
7390	Cox (née Collins), Oceana	194 Wattletree-road, Malvern
9693	Crossan (née Lycett), Margaret	52 Hedderwick-street, Essendon, W.5
4075	Davis (née Anderson), Caroline Edney	50 Rundle-street, Ararat
10747	Dawtreay (née Ewert), Ella Elizabeth	Kulki Private Hospital, Coburg
8374	Douglas (née Jensen), Alza	Skilbourne, via Maldon
6293	Felmingham (née Shadders), Olive May Agnes	3 Ligar-street, Ararat
6706	Fetherston (née Walker), Eleanor Margaret	22 Robe-street, St. Kilda
7553	Fletoher (née McLennan), Rita Florence	Flat 4, 9 Goodall-street, Auburn
8438	Fookes (née Morgan), Alice Rose	10 Oxford-street, Burwood
8927	Ford (née Martin), Marguerita Veronica	15 Munro-avenue, Glen Iris
9511	Forster (née Hickson), Jean	Lake-road, Natimuk
5590	Fox (née Key), Florrie Constance	15 Federation-street, Ascot Vale
8078	Frost (née Forshaw), Florence Ethel May	157 Trafalgar-street, Stanmore, New South Wales
4665	Gibson (née Frayne), Henrietta	Flat 3, "Lyon Court", 5 Jackson-street, St. Kilda
10849	Green (née Shaw), Beryl Sabina Mary	11A Milton-street, Elwood
12446	Haden (née Atherton), Rosie Hazel	378 Sommerville-road, West Footscray
8956	Hellier (née Beach), Esma Margaret	Chaffey, Renmark, South Australia
7392	Herrmann (née Kinnersly), Mavis Esther Janet	11 Malakoff-street, Ballarat
1656	Hewitt (née Anderson), Dorothy Gertrude	42 Foam-street, Elwood
10176	Hidos (née Young), Dulcie Lillias Berthe	Lao, New Guinea
329	Horan (née Tighe), Edith Mary	168 Nicholson-street, Fitzroy
12020	Hull (née Lanham), Dorothy Ruth	c/o The Salvation Army, Pratt-street, Ringwood
9339	Huntingford (née Thomas), Florence Lettie	"Grey Holme", Coralynn
5058	Hustlor (née Tainsh), Catherine Florence	Clydesdale, Victoria
8620	Irving (née Bramley), Lorna Helen	31 Whitehorse-road, Blackburn
12184	Jeffers (née Osborne), Margaret Annie	Colac West Post Office
8328	Jepson (née Mickelberg), Olive Alvia	Box 29, Quambatook
4551	Johnson-Turner (née Greenwood), Dora Florence	Camp-street, Beechworth
10963	Karopeledouriff (née Baum), Norma Clarice	44 Myers-street, Geelong
8951	Kelly (née Niven), Mary Esther	84 Sutherland-road, Armadale
2477	Kelton (née Morison), Jessie Grant	53 Prospect Hill-road, Camberwell
4014	Kennedy (née Keenan), Mary Lucy	"Tyrono", Niper-street, Yarraville
11554	Kilpatrick (née Roberts), Mary Amelia	Community Hospital, Nhill
9732	King (née Clark), Lorna Etheleen	Box 6, Tullibigeal, via Wyalong, New South Wales

CHANGE OF NAME BY MARRIAGE DURING 1946—continued.

Registration No.	Name.	Address.
12845	Kruss (<i>née</i> Starick), Kathleen	7 John-street, Horsham
6556	Lancaster (formerly Mrs. M. F. Connor) <i>née</i> Doan, Mary	337 Church-street, Richmond
12293	Laughlin (<i>née</i> Callon), Mary Elizabeth	80 Nolan-street, Kerang
8882	Lenaghan (<i>née</i> Tainsh), Minnie Joyce	"Hillside", Clydesdale, via Daylesford
12612	Loader (<i>née</i> Speer), Lucy	"Strathelma", Strathfieldsaye, via Bondigo
1116	Lobban (<i>née</i> Elliot), Mona	Base Hospital, Bondigo
7355	Login (<i>née</i> Lynch), Mary Margaret	Dutson, via Sale
8416	Long (<i>née</i> Donnell), Sheila	406A Riversdale-road, Surrey Hills, E.10
7587	Luko (<i>née</i> Keith), Lillian Jessie	12 Saffron-street, Chilwell, Geelong
4541	Mackey (<i>née</i> Daly), Edna Laura	14 Preston-road, Hughesdale
3694	Manion (<i>née</i> McGrath), Norah Veronica	"Mayne View" Private Bag, Port Fairy
12800	Mansfield (<i>née</i> McCall), Janet Joffery	10 Marden-street, Yallourn
11059	Marsh (<i>née</i> Rowney), Tot Gertrude	67 Kerford-road, Glen Iris, S.E.6
8446	Marshman (<i>née</i> Read), Violet Vines	Grosswoll Sanatorium, Mont Park
12154	Mason (<i>née</i> Flannery), Zoo	15 Power-street, Balwyn
9762	Mathews (<i>née</i> Lowry), Marjory	81 Fairview-avenue, Newtown, Geelong
6933	Muller (<i>née</i> Smith), Marjory Edna	233 Autumn-street, Geelong West
12255	Miller (<i>née</i> Milliken), Lois Blair	31 Ann-crescent, Middle Brighton
10512	Morgan (<i>née</i> Nancarrow), Jean Isabel	Hillcrest-avenue, Eltham
11201	Morrison (<i>née</i> Hinton), Mavis Mary	34 Chapman-street, North Melbourne
10239	McClelland (<i>née</i> Gunn), Edith Elizabeth	"Fernlea", Pt. Nepean-road, Scaford
5121	McCrum (<i>née</i> Farmer), Myrtle May	"Tara", Yabba North, Vic.
8879	McDonald (<i>née</i> Smith), Veronica Margaret	53 Lyle-street, Warracknabeal
5603	McIntyre (<i>née</i> White), Gwonyth Lloyd	"Karmala", Willaurd
11287	Paterson (<i>née</i> Francis), Phyllis Louisa	Flat 3, 15 Tennyson-street, Elwood
3490	Peel (<i>née</i> Hulme), Olwen	Springs-road, Drysdale
6541	Perry (<i>née</i> Tomlinson), Monica Merle	"Glanmire", Conniwerricoe, via Coleraine
10091	Petch (<i>née</i> Wilson), Ellen Jessie	30 Erin-street, Richmond
11479	Pickford (<i>née</i> Lester), Margaret Ruth	Box 2, Ulverstone, Tasmania
8651	Pollock (<i>née</i> Morrisroe), Catherine Elizabeth	10 Queen-street, Ararat
10484	Pope (<i>née</i> Bond), Annie	136 Koroit-street, Warrnambool
5733	Price (<i>née</i> McKenzio), Marian Stuart	348 Bambra-road, South Caulfield
13091	Pront (<i>née</i> Crow), Hilda Florence	Pretty Hill, Port Fairy
10501	Roberts (<i>née</i> Jones), Dylis Sarah	32 Church-street, Stawell
7313	Rodger (<i>née</i> Favaloro), Jean Florence Maria	Bush Nursing Hospital, Bright
5170	Roffey (<i>née</i> Uron), Elza Helene	Norlane P.O., Melbourne-road, Geelong
7724	Rosan (<i>née</i> Pitty), Nellie Lois	109 Hope-street, Geelong West
9382	Sadler (<i>née</i> Stonhouse), Mary Carmichael	"Rannock", East Devonport, Tasmania
10570	Sewell (<i>née</i> Coates), Christina Elizabeth	"Starlight", Belgrave Heights
13794	Shaw (<i>née</i> Vagg), Marjorie Patricia	13 Crimea-street, North Caulfield
11222	Shpherdson (<i>née</i> Moloney), Margaret	42 York-street, St. Kilda
6005	Simpson (<i>née</i> Wearne), Olive Edna	60 Edwards-avenue, Port Melbourne
12068	Smith (<i>née</i> McCartney), Joan Louise	c/o Mrs. S. H. McCartney, Gooda-street, Tongala
8968	Smith (<i>née</i> Fleming), Nancy Sheila	136 Robert-street, Essendon
10651	Smith (<i>née</i> Rodding), Patricia Jean	Box 8, Pimpinio
12657	Stephens (<i>née</i> Kettle), Ellen Sarah	Bumberrah P.O., via Bairnsdale
6457	Stewart (<i>née</i> Montgomery), Mary Mavis	8 Havelock-street, Maidstone
12247	Thomas (<i>née</i> Henderson), Nancy Kathleen	49 Fitzroy-street, East Geelong
10245	Tomlinson (<i>née</i> Hosking), Marjorie Joy	Northcote-terrace, Mornington
8568	Treasure (<i>née</i> Condon), Floris Ethel Agnes	48 Alfred-street, Maffra
7663	Treviso (<i>née</i> Shaw), Helon Bassott	85 Paxton-street, East Malvern
11682	Turner (<i>née</i> Kingston), Merle	St. Andrew's Hospital, Cathedral-place, East Melbourne
10563	Wainwright (<i>née</i> Birrell), Myrtle Evelyn	Barwon Hills, Winchelsea
11379	Wallis (<i>née</i> Connell), Isabella Margaret	Koorlong, via Mildura
7138	Wamstokor (<i>née</i> Beaty), Joan	14 The Grove, Moreland
2662	Watson (<i>née</i> Carroll), Ethel	Box 23, Wycheproof
11185	Weaver (<i>née</i> Dolley), Thelma	44 Orford-street, Moonce Ponds
5696	Wescott (<i>née</i> McNeill), Winifrod Agnes	40 Queen's-avenue, St. Arnaud
13841	Westcott (<i>née</i> Craig), Yvonne	16 Belmont-avenue, Glen Iris, S.E.6
9757	White (<i>née</i> Joyce), Mavis	10 Hotham-street, Preston, N.18
7168	White (<i>née</i> Paul), Phyllis Cathorine	Waterloo Hotel, Bridge-street, Bendigo
11850	Whitmore (<i>née</i> Harris), Esther Annie	76 Herbert-street, Albert Park
11583	Woodruff (<i>née</i> Gay), Ena Iris	174 Victoria-parade, East Melbourne
7034	Young (<i>née</i> Gunn), Iris	Wood's Point, Victoria
4857	Young (<i>née</i> Stone), Marion	135 Victoria-street, Warragul.

REMOVALS, 5TH JUNE, 1946.

Registration No.	Name.	Registration No.	Name.
2190	Abbott, Margaret Jane	523	Bull, Alice
12555	Adams, Frances Patricia	13132	Buller, Margaret Graham
2071	Afleck, Bessie Fraser	9902	Burning (<i>née</i> Harrold), Norah Caroline
1514	Ahern, Gertrude Mary	11376	Burbury, Peggy Rowell
6193	Ahern, Margaret Irene	3305	Burford (<i>née</i> Bromley), Evelyn Margaret
2337	Aitken, Jessie Ann	1844	Burgess, Annie Isabel
12798	Allbutt, Elizabeth Campbell	7196	Burgin (<i>née</i> Bucknall), Noreen Nesta
6416	Allen, Janet Hilda	2038	Burke, Mary
12743	Allson, Kathleen Joan	13133	Burkitt, Annie Elizabeth
12386	Alsop, (<i>née</i> Johnstone), Muriel Enid Patricia	13177	Burleigh, Joyce
1987	Anderson, Agnes Olive	5110	Burley, Eleanor Jane
9683	Anderson, (<i>née</i> Emmett), Iris Constance	10738	Burns, Burnadette
12860	Anderson, Jennie Kirkland	11623	Burns, Phyllis Isabel
12044	Andrews, Evelyn Merle	11907	Burr, Agnes
8289	Anquetil, (<i>née</i> Whitor), Winifred Nora	3963	Burt (<i>née</i> Morrison), Ethel Catherine
13173	Ashton, Patricia Olga	12391	Burton, Melva Olive
12631	Atkinson, Annie Teresa	4170	Butler, Florence Renouf
1672	Avery, Constance Winifred	11662	Butler, Marie Josephine
		4954	Bye (<i>née</i> Scholes), Kathleen Alma
13023	Bailey, Beryl Lorraine		
12098	Baker, Irene Linda	6877	Cadusch, Sheila
11329	Baker, (<i>née</i> Holmes), Phyllis May	8157	Cahill (<i>née</i> Atchison), Mary Marjorie
623	Baldwin, Lucy May	10892	Cahill, Mary
11896	Barclay, Helen	13134	Cain, Dianna Jane Cobbold
13131	Bardsley, Verna	10568	Caldecoat, Elsie Jean
12627	Barnes, Ada Lillian	11663	White (<i>née</i> Cameron), Shirley June
11521	Barnstable, Ethel May	10034	Campbell, Betsy Jane Ann
13026	Barrett, Mavis Irene	5021	Campbell (<i>née</i> Inglis), Ellen Margaret
7981	Barrow, Lucy Emma	12507	Campbell, Hazel
9308	Barry, Kathleen Mary	10097	Campbell, Margaret Burnside
11373	Barry, Mary Helen	3743	Campbell, Mary
13084	Batton, Elsie Annie	2728	Campbell, Mary McBride
12801	Baynes, Lillian Mary	164	Capuano (<i>née</i> Morton), Gwenyth
9379	Beary, (<i>née</i> Saunders), Eva May	11835	Carlyon, Agnes Jean
10336	Beaton, Dorothy Clare	8737	Carr (<i>née</i> Mulcair), Kathleen
7702	Beavis, Patricia Evelyn	5562	Carrick (<i>née</i> Russell), Nancy
11159	Beech, Phyllis Elizabeth	2985	Carter, Adelaine Martha Isabel
8678	Beeham, (<i>née</i> Browning), Betty Katharine	1944	Carter, Gladys Violet
3071	Begg, (<i>née</i> Walker), Irene McKinnell	9712	Chandler (<i>née</i> Philips), Edith Mary
8710	Beicher, Elizabeth Laura	11315	Jones (<i>née</i> Chapman), Olive Catherine
1097	Bell, (<i>née</i> McKessack), Marion May	13135	Chasemore, Margaret Yvonne
10560	Bellis, Phyllis Jean	2805	Christiansen (<i>née</i> Yandell), Esther Ruby
9484	Bengtsson, Betty Isabella	11664	Clark, Betty
12967	Benjamin, Nona	13031	Clark (<i>née</i> Nesbit), Evelyn Gladys
13174	Bennett, Dorothy Valma	9287	Clark, Lily
10306	Bennett, (<i>née</i> Knowler), Georgina Emily Elizabeth	7818	Clark, Olive Elsie
13086	Bennetts, Doreen Alice	2526	Cleary, Str. Mary de Sales
1734	Bennetts, Mary Louisa	1463	Clemens, Enid Agnes
12634	Benna, Jacqueline Bruce	7539	Clipstone, Mary Lillian
13175	Benoit, Beryl	11176	Close, Monica
844	Bentley, Lona Lawrence	10555	Clow (<i>née</i> Weinert), Jean Winifred
11901	Beran, Anna Margarethe Alida	12238	Cockshell, Elsie May
12091	Berry, Celia Adelaide	9820	Cody, Mary Agnes
11575	Bertuch, Bertha May	4676	Coe (<i>née</i> McGeorge), Constance Dinah
2806	Best, (<i>née</i> Lehman), Aileen	12546	Collidge (<i>née</i> Bayles), Grace Mary
10562	Bevans, Mary	11912	Comer, Dorothy Margaret
872	Beveridge, Mina Adair	11717	Coningsby, Clarice Jean
8668	Biddle, (<i>née</i> Stair), Nancy Burns	8065	Connell, Ellen Elizabeth Minton
11305	Birrell, Annette Florence	11718	Conroy, Josephine Veronica
7490	Black, (<i>née</i> Dougall), Jean Eleanor	7341	Cooke (<i>née</i> Dann), Dorothy
13176	Blake, (<i>née</i> Cashin), Jessie Mary	8164	Cooke (<i>née</i> McLay), Marjorie Galloway
9461	Blanch, Isabella Mary	10421	Coombs (<i>née</i> Penn), Enid Ruth
7856	Bligh, Winifred Catherine	8774	Cooper (<i>née</i> Tarrant), Merlyn Selina
2724	Body, (<i>née</i> Backwell), Lorna Louise	11024	Cootes, Dorothy Joan
9800	Bosanquet, Mary	6879	Coppinger, Nora
7997	Bothe, Selma Valiera	10693	Corbett, Grace
8343	Bottom, Ivy Isabel	704	Cosstick (<i>née</i> Jury), Florence
7059	Bowden, (<i>née</i> Brien), Mary Veronica	9364	Coto (<i>née</i> Eckhardt), Lorna Helene
11903	Bowdler, Gwendoline Ellen Mary	4760	Courtney, Anne May
889	Boyle, Agnes	10616	Cowan (<i>née</i> Kinna), Sheila Priscilla
11904	Bradford (<i>née</i> Steer), Jean Eleanor	13136	Craig, Mary Catherine
11905	Brennan, Annie Cathleen	11459	Cragg, Phyllis Mary
4321	Brennan, Irene Margaret	11316	Craig, Isabel MacLean
5996	Brett (<i>née</i> Orr), Margery Mary	7715	Craven (<i>née</i> MacFarlane), Margaret Mary
8363	Brew (<i>née</i> Woodward), Margaret Lorraine	10138	Creed, Sheila Margaret
11773	Brewer, Charlotte Haroldene	6741	Cresp, Helene May
10340	Briant, Kathleen Stuart	11627	Crisp, Joan Winifred
9406	Briggs, Claire Birdwood	4191	Cronan (<i>née</i> Lochhead), Agnes Zella
8164	Broad, Ala Jane	12005	Crothers, Isobel Anne
10967	Brockhouse (<i>née</i> Guy), Elsie Gwenyth	2461	Crowe, Violet Ethel
9968	Broome, Ida Merle	9915	Cumming (<i>née</i> Brown), Jessie Annette
7658	Brown (<i>née</i> Ross), Donaldina Louie	11832	Cummings, (<i>née</i> Bosse), Annie Merle
6809	Brown, Marjorie Grace	13137	Cunningham, Anthea Glencairn
1356	Browne (<i>née</i> Almond), Elizabeth	11667	Cunningham, Sheila
12700	Browne, Marie Veronica	10972	Currell, Phyllis Olive
10968	Bruns, Dorothy May	580	Curtis, Ellen May
11661	Bryant (<i>née</i> Cooper), Elizabeth	13121	Cutts (<i>née</i> Stuhmcke), Maidie Phyllis

REMOVALS, 5TH JUNE, 1946—continued.

Registration No.	Name.	Registration No.	Name.
12394	D'Alton, Jean	9749	Gibson, Jean Alison
10741	Daly, Lorna Ann	5755	Gibson (née Tanner), Mollie Henderson
8314	Daniel, Joyce Elizabeth	11084	Gilbert (née Pfau), Betty
12241	Dargue, Elwys Grace	9242	Gillespie (née Grigg), Elaine
9010	Davidson, Laura Mary	6425	Gillies (née Horner), Grace
12396	Davis, Margaret Lumsden	11671	Gleeson, Eileen Veronica
12739	Dawson, Muriel Jessie	4846	Glennon (née McCarthy), Mary Theresa
2551	Dawson (née Wakley), Violet Olive	11468	Glover, Alison Joyce
9495	De Bibra, Kathryn Eva	7958	Glynn, Helen Joyce
908	Deegan, Eileen Mary	9671	Goddard (née Hadlow), Thelma May
6521	Mackrell (née Deegan), Margaret Josephine	1718	Godfrey, Annie Phyllis
8918	Deegan, Veronica Agnes	9969	Godkin (née Brace), Edith Loraine
12380	De Groot, Peggy Rose	4666	Gooch, Janet Helen
8489	Delaney, Vera Beatrice	10870	Gooch, Kathleen Hope
7642	Dench (née Kirk), Dorothy Jean	9137	Good (née Morrison), Jessie
9646	Devonshire, Marjorie Agnes	4281	Gordon (née Ghymes), Daisy Kneller
10899	Dickenson (née Simpson), Myra	1324	Gordon, Florence Louise T.
621	Dickson, Margaret	12321	Gordon, Jean Orr
9456	Dickson (née Walsh), Mary Angela	11847	Gordon, Lorna Jessie
5298	Dillon, Sheila	11632	Gordon, Lorna Margaret
2594	Dingwall, Grace Borteana	12342	Gorey, Lois Elma
33	Ditterich, Hilda Bessie	8725	Gorman, Leslie Marian
1659	Dodd, Eileen	12456	Gould, Alice May
10670	Dodd (née Tucker), Eva Marion	8317	Grace, Margaret
7069	Donaldson, Elizabeth May	12785	Graham, Daphne
11382	Donaldson, Susie May	5341	Graham (née Muggridge), Eleanor Patricia
9314	Donovan, Eileen Veronica	12740	Gratton, Ruth Elsie
8830	Dorney (née Callinan), Honora	11995	Gray (née Hare), Mildred Hope
4394	Dorward (née Attiwill), Rita Dulcie	3406	Gray (née Simon), Olive May
12337	Douglas, Dorothy Kate	2376	Gray, Sybil
9415	Dowd, Cletus Irene	12649	Graying, Frances Eunice
4793	Dowling, Elizabeth	11887	Green, Josephine Marion Charlotte
2239	Dowling, Teresa Evelyn	2021	Greene, Margaret
5982	Downe, Marjorie Florence	976	Gregg, Henrietta
11463	Doyle (née Gunn), Coral Annie	8820	Griffith (née Anderson), Eva Jane
13178	Doyle, Gabrielle Christianna	9241	Griffith, Marjorie Maie
4373	Duff, Ethel May	12494	Groszmann, Blanche Elliot
682	Duff, Sarah Leathan		
11321	Dunne, Mary Elizabeth	13140	Haby, Marjory Edith
5508	Dunstan, Eva Annie	11791	Haddow, Alice Marion
7627	Dwyer, Kathleen Agnes	11792	Haddow, Phyllis Edna
6777	Dwyer, Sister Mary Briga	9077	Haley (née Ferguson), Doris Lorraine
		5897	Hall (née Van der Loo), Charlotte
		4700	Hall (née Allen), Dorothy May
12150	Eastaugh, Dorothy Wolseley	2364	Hall, Inez
13138	Eastman, Joyce Elizabeth	13141	Hall (née Tamagno), Marguerite Frances
3005	Easton (née Jeremiah), Edyth May	13058	Hallifax, Ruth
9742	Echlin, Naomi Constance	3690	Halligan, Clarice Isobel
5699	Edmonds (née Suttor), Joan Isabel	13042	Halse, Elizabeth Mary
10493	Egan, Mary Deborah	11929	Hamilton, Mary Chisholm
13122	Eliason, Joan Marie	11098	Hampshire, Amelia Joyce
6149	Ellis (née Evans), Beryl Isabel	10596	Hanlon, Margaret Anne
6743	Elmes, Barbara Turner	7879	Harkness (née McLennan), Isabel Norma
10533	English (née Mann), Elizabeth Hamilton	8354	Harmer, Mabel Ross
10586	Ennis, Marguerite Lillian	9452	Harris (née Stark), Ruby Louvain
6778	Ewart, Ida May	9367	Harris, Norma May
11365	Eyles, Isabel Annie	11570	Harry (née Koch), Irma Agnes
		11930	Harwood (née Eager), Elsie Nina
13130	Fenwick, Christina Flora	10906	Hatcher, Dorothy Alma
8573	Ferguson, Lorna Jessie	9022	Hauxwell, Joan
10695	Fletcher, Doris	9881	Haynes, Esther Isabel
11386	Flynn (née O'Connor), Winifred Agnes	10499	Healy, Ileen Frances
11631	Fogarty, Agnes	9555	Heane, Nancy Daisy Ruth
4921	Fogarty, Aileen Mary	9689	Heather, Mavis Alder
6054	Foley (née Coleman), Blanche	13043	Hedditch, Joan
12710	Foley, Julia Annie	12246	Heiliger, Olive Mary Barr
9686	Forbes, Rosaline Lillian	9509	Hemphill, Zillah May
1430	Fox, Alice Elizabeth	11539	Henderson, Jean Mary
11514	Fraser, Edna May	3509	Hetherington, Mae
3514	Fraser (née William), Williamena Rose	12986	Hickson, Marie Dorothy
4753	Fraser, Margaret Cameron	12519	Hildebrand, Glory Isabel Ida
10592	Frohlich, Sheila	4618	Hitchcock, Grace Le Lievre de Patron
4889	Frongerud, Berliot	12248	Hodgins, Edith Barbara
10045	Fry, Margaret Joyce	13143	Hoffman, Lorna Evelyn
5583	Fuller (née Falconbridge), Iris Joyce	4736	Hogan, Josephine Mary T.
2249	Fuller (née McKenzie), Mildred Elspeth	4785	Holder (née Osmond), Annie Ilma
		13144	Holloway, Patricia Phyllis
3063	Gale (née McRae), Georgina Jane (Jean)	10362	Holschier, Sheila Mary
7346	Gale, Patricia	2422	Hood, Annie Cossar
11289	Galwey, Erica	3534	Howard (née Allan), Daisy Clarinda
9919	Gardiner (née Daniel), Vivienne Belton	11935	Howatson, Susanne Sumner
12286	Garlick, Doris Ivy	2329	Howden, Ivy Emma Florence
7891	Garmory, Florence Ellen	11397	Holling, Mavis Adele
12871	Gasperino, Mary Ethel	2525	Hughes, Catherine Josephine
12551	Geisler (née Haurahan), Patricia Josephine	4646	Hughes, Elizabeth
12515	Gelmi, Edna Irene	659	Hunter (née Fleming), Elizabeth Gertrude
10231	Gibney, Winifred Mary	13145	Hunter, Ellen
13139	Gibson, Janet Winifred	3012	Hurnall, Lillian Frances

REMOVALS, 5TH JUNE, 1946—continued.

Registration No.	Name.	Registration No.	Name.
10828	Hurry, Mary Elizabeth	1725	MacPherson, Bertha Jean
12015	Hutchens, Joan Marjory	30	MacPherson, Irene Victoria
12818	Hutton, Jessie Veronica	3538	MacPherson, Zaida
8531	Ibbott, Winifred Minnie	8502	Madden, Alice
6810	Innes, Isabella Violet	13016	Magor, Elinor Cora
5148	Ireland (née Rowe), Winifred May	4568	Maher, Kathleen
10184	Irwin (née Gotts), Jean Esther	11088	Maher (née Reeve), Nellie Alice
11332	Irwin, Marie Lorraine	12742	Mahoney, Ellen
5552	James, Lillian Maidment	3875	Malone, Christina Elizabeth
2503	James (née Kane), Melba Miriam Hender	6139	Malone (née Charles), Phyllis Mary
11055	Jay (née Oldmeadow), Louise Mavis	10989	Malseed, Marjory Euphemia
7960	Jeffery, Dorothy Jean	3006	Malseed, Ruby May
8025	Jeffreys (née McCormack), Mary Patricia	1277	Maning, Mary Louisa Beresford
11205	Jensen (née Brown), Mavis Henrietta	12305	Marks, Jane Marjorie
8425	Johnston, Yvonne Marie Janet	12795	Marks (née Deakin), Joan Sarah
5835	Jones, Gwendoline Marion	10904	Marks (née Goldring), Pamela Beryl
11943	Jongbloed, Marie Ellena	8472	Marshall, Muriel Marion
8044	Joyce (née Dunkley), Eva May	11407	Martin, Joan
11827	Keely, Violet McLean	10832	Martin, Joyce
13147	Keenan, Mary Agnes	9436	Martin, Mary Frances
13148	Keiller, Peggy	8551	Maslen (née Pyle), Eunice Victoria
11400	Kellett, Winifred Mary	6577	Masterman, Clarice Violet May
2883	Kelly, Elizabeth	8856	Mathers, Winifred Monica
3599	Kelly, Mary Agnes	9519	Matthews, Mary
9204	Kemp, Jean Catherine	6578	Matthews (née Croskell), Mary Agnes
10943	Kemp (née Shaw), Nora	10627	Maynard, Dorothy Jill Villiers
2281	Kennealy, Stella Kathleen	9324	Meehan, Doreen Frances
8428	Kennedy, Irene Frances	1950	Merrill, Alice Louie
11057	Kennedy, Margaret Eugenia	4194	Merrin (née Love), Ivy Pearl Elizabeth
13179	Kent (née Huxtable), Marion Young	10157	Miller, Nellie
11370	Kerrison, Jean	9637	Milnes, Marjory
13180	Knappstein, Olga Elizabeth	12257	Minchin, Norma Ada
7582	Knight (née Grant), Avey May	2723	Minogue, Annie Charlotte Mary
9471	Knowles, Margaret Betty	3015	Minogue, Catherine
11368	Knox (née MacKinnon), Rachael Mary	593	Minogue, Elizabeth Emily
13181	Koster, Dorothy Alice	3620	Mitcham (née Daly), Catherine Mary
6889	Kretschmer (née Lawrence), Valmai Minnie	9770	Mitchell, Helen Cecelia
12169	Lalor, Marie Teresa	8829	Mitchell (née Burke), Mary Josephine
9515	Lannen, Bernadotte Marie	12120	Mitchell, Norma Margaret
10857	Larkan (née White), Mary Magdalen	9988	Moffat, Mary
6780	Larkins, Mary Monica	9326	Monahan, Geraldine Mary
5182	Law (née Dawson), Lolo Marion	11652	Moore (née Nicholas), Shirley Beatrice
5522	Law (née Caldwell-Thomas), Margaret	11738	Moran, Mary
9814	Lawson (née Archibald), Margaret Jean	11548	Morgan, Gwendoline
8263	Leahy, Mary	10372	Morgan, Margaret Violet
13050	Leared, Margaret Jean	3075	Morley (née Jackson), Blanche Masu
4841	Le Boeuf, Coral Gertrude Alice	688	Morris, Jessie May
12741	Lees, Elinor Mary	4742	Morris, Nellie Elizabeth
10622	Le Grand, Annie Veronica	6061	Morrison, Florence Unita May
777	Leitch, Nellie	9295	Morrow, Isabel Jean
12283	Lennox (née Mounster), Deidre Lorraine	9261	Moss, Annie Lorraine
4376	Leonard (née Gladall), Amy Winifred	8199	Mounster, Oenone Dacia
13100	Leonard, Lois Enid	6503	Mourell (née Whelan), Myrtle Hilda
8712	Leslie (née Blom), Margaret Sewell	6620	Muir (née Duncan), Madge
1607	Lester (née May), Ida Lilian	7358	Mulcahy, Agnes Mary
1448	Lester (née Owen), Kathleen Margaret M.	8200	Mulcair, Sheila
9889	Lewis, Lorna Verne	9940	Munro (née Quiney), Mary Powell
9368	Liddell, Joyce Wells	7719	Munro, Nancy
3987	Lindsay, Myrtle Ivy	13101	Murdoch, Joan Elizabeth
11274	Littauer (née Borchardt), Inge Lilli	10838	Murphy, Sheila Edith
9761	Livingstone, Frances Joan	173	Murray, Catherine
12612	Loader (née Speer), Lucy	7829	McAdam (née Gazzard), Evelyn Charlotte
11516	Lohmeyer, Norma Edna	69	McAlpine, Eugenia Annie
4848	Longden (née McLeod), Sheila	12469	McBurney (née Newton), Nancy Isobel
10055	Longstaff, Beryl Athanie Augusta	8024	McCarthy, Veronica Norah
10504	Looney, Mona Marie	1225	McCausland (née Harrison), Bessie Regina
9213	Lade (née Beard), Isabell Katherine	9991	McComb (née Sutherland), Alice Mary
10437	Lovett, Christine Trevor	9098	McCready, Jean
11217	Lund, Margaret Muriel	8270	McDermott, Sheila Alice
5005	Lyle (née Lockwood), Audrey Inez Hardman	11226	McDonald, Jean
13149	Lynas, Joan Estelle	10545	McDonald, Nancy
3792	Lyons, Lena Josephine	12177	McDonald, Patricia
13151	Mace, Elizabeth Frances	11091	McFarlane, Vera
13152	Mace, Ruth Manning	12180	McGann, Mary Patricia
153	MacDonald, Alice Robertson	8009	McGrath (née Gelmi), Olive Francesca
13150	MacDonald, Flora Janet	8861	McGregor, Jean
3869	MacDonald (née Gordon), Marion Emily	9091	McGregor (née Marfell), Ingeau Lorraine
7646	MacKenzie, Catherine Margaret	8655	McHardy, Joan
9863	MacKenzie (née Buck), Marjorie Aileen	10510	McInerney, Eileen Mary
708	MacKenzie, Mary Letitia	9722	McIntyre, Gertrude Emma
11218	MacKinnon, Betty Isobel	10638	McIntyre, Patricia
2487	MacKnight, Helen	4940	McKay, Euphemia Currie
655	MacKnight, Jean Lyell	370	McKenna, Ruby Elizabeth
296	MacPherson, Annie Isabel	4343	McKenzie (née McConnell), Eileen Margaret
		11229	McKenzie, Heather Helen
		10955	McKeown, Ruby
		10641	McKernan (née Dunnett), Catherine Craig
		8929	McLarty, Bessie Isobel

REMOVALS, 5TH JUNE, 1946—continued.

Registration No.	Name.	Registration No.	Name.
368	McMahon, Lucy	3000	Rafferty (née Cairns), Katherine Beatrice
8400	McNicol, Maggie Muriel	12309	Rankin, Bessie Jean
2170	McPhee (née Priestly), Adelaide Jane	2416	Rattray, Agnes Josephine
4019	McRae, Mary Alice	10278	Reese, Mavis Grace
12598	Nation (née Murphy), Gladys Margaret	8775	Refshange (née Allwright), Helen Elizabeth Stanfield
12361	Naughtin (née Brown), Helen Veronica	6976	Reid, Ella Mary
9841	Naylor, Ida Mary	7477	Revelman, Zara
3418	Neale, Helen Kennedy	11888	Reynolds, Elsie Sarah Leed
7179	Neale (née Parkes), Mabel Alice	7041	Richards (née Marshall), Vance F. R.
1927	Neil, Ethel Mary	6760	Riches, Gertrude Lydia
5995	Nelson, Vera Florence	12423	Richman, Elsie Elizabeth
3901	Nesbitt, Laura Evelyn	5090	Ritchie (née Bruford), Gertrude Cameron
1521	Newland, Edith Blanche	7170	Ritchie, Joan Amelia
5885	Newland, Emily Merle	12443	Roberts, Helen Benedicta
1387	Newnham (née Lucas), Bertha Elizabeth	11246	Roberts, Olwen
12025	Nicholas, Betty	7510	Roberts, Phyllis May
9707	Nicholls (née West), Phyllis May	10188	Robson (née Millard), Mona Eva
4957	Nicholson (née Sinclair), Jessie Violet	11573	Robson, Nellie Russell
9842	Nilsson, Eivor Helena	8449	Rodger, Florence Fraser
4318	Nisbet, Violet Beatrice	102	Rogers, Jean Orr
4197	Noble, Maria	10000	Rogers, Madge Edith
2456	Noble, Marie Muriel	11872	Rogers, Patricia Clare
6168	Norbury, Catherine Myra	9336	Rogers (née Maisey), Valda Mary
8588	Northausen, Aileen Joyce	6158	Roots (née Lenox), Miriam Rose
8985	Norton, Vemba Franklin	1118	Roper, Mary Agnes
11961	Nugent, Margaret Mary	12367	Roscholler (née Matheson), Dawn
8097	Oates, Lettice Isabel	12368	Rose, Betty Marie
9105	O'Brien, Mary	10163	Ross, Margaret Lamon
11806	O'Brien, Mary Agnes	11498	Roughhead, Mary Josephine
10515	O'Brien, Noreen Patricia	306	Rowand, Alice Mary
9995	O'Connor, Margaret	12444	Rowe (née Kinsella), Nancy
1685	O'Connor, Mary Kathleen	11902	Rundel (née Blennerhassett), Sheila Marie
11413	O'Day, Cecilia Florence	8306	Ryan, Bridget Frances
9331	O'Donnell, Patricia Marie	5273	Ryan, Sister Mary Lucy (Catherine)
8952	O'Donoghue, Annie Veronica	1470	Salter, Elsie May
9208	O'Kane, Mary Teresa	10847	Samuel, Jessie Ann
583	Oldfield (née Wall), Ivy Bernice	12553	Sattler, Nancy Grace
4110	O'Leary (née Gaskin), Ellen Veronica	10164	Schier, Merle
8207	O'Loughlin, Frances Jane	11062	Schmedje (née McNamee), Margaret Jane
6787	O'Loughlin, Gertrude	11606	Schmidt, Lawna Winifred
11642	Olsen, Alma May	8744	Schroeder, Cecily Jean
6290	O'Malley, Margaret Aloysius	11421	Scott, Euphemia Janet
1214	O'Neill, Aileen Monica	9275	Seabrook, Dorothy Lilian
11415	O'Neill, Alma Mary	12673	Seeck, Mary Elizabeth
11869	O'Neill, Bettine Mary	9476	Seekamp, Honor Lillian
4575	O'Rourke, Eileen Ellen	4070	Sexton, Dora Ethel
11491	Osborne, Mary	9076	Shands (née Drummond), Edna Beatrice
9936	Osborne, Patricia Florence	9084	Shepherd (née Hull), Ada Maud
10841	O'Toole, Mary Margaret	10165	Shew, Claire Dougall
4672	Ottrey (née Lewis), Clarice	5332	Shiner (née Steer), Lilian Margaret
8208	Outen, Valda Louise	10550	Short, Alicia Amy
430	Owen, Dorothy Eleanor	10451	Simpson, Margaret Lumsden
5010	Owens, Elizabeth Josephine	2788	Simpson (née Miller), Nesta Cecil Annie
1210	Oxbrow, Jessie Vida	5421	Sinclair (née McMahon), Eileen Jane
10646	Oxley, Rewa Joan	1520	Sinclair, Evelyn Elizabeth
9441	Pannell, Joyce Edith	12630	Skirving, Katie
7899	Parkin, Frieda Gheenio	10719	Sleep (née Dakin), Winifred Edna
7791	Paton, Elizabeth Florence	4688	Sleeman (née Weideman), Constance Caroline
4400	Paul (née Chaffer), Eleanor Sarah Grant	133	Smith (née Searle), Alice May
10269	Payne, Muriel Constance	5726	Smith (née Jones), Dorothy Mary
12077	Penhalluriack, Joan Vivian	6771	Smith (née Wallace), Joyce Constance
9268	Pentreath (née Pearson), Eunice Aileen	10552	Smith, Mary Helen
10116	Percy, Elizabeth Alice	6648	Smith, Norma
12081	Percy (née Ryan), Mary Josephine	12842	Smith, Norma Elsie
11255	Peyton (née Smith), Olivo Farley	11256	Snow, Ada Mary Constance
10271	Philip, Margaret Tenison	7096	Speed, Joyce Ada Annie
6309	Piper (née Bailiff), Joan Elliott	10263	Speer (née McGrail), Josephine Clare
5818	Pitt (née MacDonald), Ellie	8906	Spicer, Catherine Lyall
6797	Pitt (née Black), Gwenneth May Muriel	10779	Sproal, Phyllis Clare
12125	Pitt, Isabel	10931	Stafford (née Smeal), Florence Mary
5560	Platt, Anne	8586	Stammers, Eva May
4378	Plumridge (née Hinchliffe), Hilda Gertrude	8946	Stamp (née Tipping), Hilda Marjorie
10273	Plunkett (née Neagle), Margaret Ellen	10665	Statton (née Caldwell), Mavis Elizabeth
9238	Pocklington (née Forrest), Mary	7666	Steane, Violet Grace
3182	Pola, Frances Mary	12731	Steele, Edna Lovena
10445	Pollock, Marjory Isobel	9182	Stephens, Jean Margaret
8986	Powell, Gwendolyn Sarah Mary	8167	Sternberg (née Campbell), Mary Cecilia
7596	Power, Margaret Hattie	3020	Stevenson (née Teverdale), Annie Elsie
12475	Prendergast, Sheila Agnes	12485	Stevenson, Pauline Laura Mary
3499	Price (née Dixon), Georgina Mary	1051	Stewart, Annie
9383	Procter (née Wall), Doris Lilian	12427	Stewart (née Brien), Ida Edith
11645	Proctor, Elizabeth Mabel	628	Stewart, Florence Amy
2829	Propsting, Dorothy	10853	Stichnoth, Ida Margaret
11571	Pryor, Zea Mary	9400	Stiffe, Frances Joan
6072	Pullar (née Young), Joyce	6434	Stillard, Kathleen Jean
		12677	Stiller, Beryl
		11877	Stilley, Muriel Frances
		10667	Storer, Esther Kathleen

REMOVALS, 5TH JUNE, 1946—continued.

Registration No.	Name.	Registration No.	Name.
12615	Storie, Patricia Jean	8037	Wallace, Edna May
6428	Stranghair (<i>née</i> Matters), Catherine Elizabeth	4209	Wallis, Amy Caroline
7352	Stuckbery (<i>née</i> Horne), Kathleen Lucy	9948	Walsh, Kathleen Nancy
7294	Sudholz, Anne Dorothy	2123	Walsh, Mary M.
12617	Summers (<i>née</i> Bennett), Ivy Edith	11428	Walsh, Maureen Claire
3489	Surridge (<i>née</i> Hance), Thelma Florence	8038	Walsh, Sheila Elizabeth
9665	Sutton, Lydia May	9625	Walters, Sylvia Annie
3441	Swallow (<i>née</i> Hatfield), Clara Marion	2926	Wanklyn, Colina Mary
8907	Symes, Lucy	11358	Ward, Lillian Mary
		9034	Ward, Phoebe Grace
234	Tabor, Florence Maud	256	Wardell, Teresa Mary
11441	Tabrett, Greta	344	Wardley, Christabel
11709	Tame, Joan Elizabeth Woolacott	9169	Warren (<i>née</i> Lumley), Evelyn Bertha
10724	Tattam (<i>née</i> Tuffin), Olive Matilda	8910	Warren, Helen
11879	Taylor, Bernice Ruby	8239	Warrington (<i>née</i> Norton), Patricia Amy Ellis
9666	Taylor (<i>née</i> Doyle), Sadie Eileen	12948	Watt, Jean Ellen
11502	Teed, Gladys Agatha	12131	Weatherhead, Kathleen Laura
12695	Templar (<i>née</i> McQuat), Jeannie Brown	6612	Webster (<i>née</i> Champion), Rachel Gwinneth
3583	Thomas, Enid Caldwell	11268	Weekes, Joan Alice
11981	Thomas, Lyla Jean	11444	Wells, Kitty Ruth
6210	Thompson, Dorothy Mildred	10785	Welsford, Shirley Margaret
8023	Thompson (<i>née</i> McAllister), Lily May	10299	Whelan, Kathleen
13065	Thompson, Mary Levertin	5997	Whelan (<i>née</i> Ritchie), Mary Elaine
11647	Thompson, Rosalie Joyce	8293	Whitaker (<i>née</i> Browning), Ada Winifred
1038	Thomson, Alexandrina Gertrude	10301	White, Joyce Lydia
13079	Thomson, Marjory Frances	11361	White, Sheila Eileen
10005	Thomson (<i>née</i> Simpson), Minnie Elizabeth	11291	Whitman (<i>née</i> Jefferies), Doris Ethel
9837	Thomson (<i>née</i> Matthies), Norma Grace	7966	Widmer (<i>née</i> McHutchinson), Gwendoline Mary
3512	Thorburn, Isabella Edna	7292	Wigan (<i>née</i> Sibly), Evelyn Mary
11890	Thrift, Joyce Amelia Ann	7367	Wilkinson, Irene Winifred Grace
11424	Tierney, Mary	8958	Williams (<i>née</i> Brownbill), Beryl Madge
12618	Timmins (<i>née</i> Wright), Phyllis Eame	7889	Williams, Coralie Sylvia
10387	Tivendale, Peggy Winifred	12279	Williams, Dorothy
9947	Toleman, Elizabeth May	12554	Williams, Eva Winifred
2263	Tomlinson, Grace Linda	8520	Williams, Helen
10726	Townshend (<i>née</i> Pickering), Mary Eleanor	10528	Williams, Lillian Mary
5458	Tracy (<i>née</i> Jones), Lavinia Winifred	11270	Williamson, Gwynneth Annie
7180	Treloar, Olive Edith	3998	Willing, Elva Mary
12431	Tromff (<i>née</i> Hewitt), Nancy Annie	10809	Willis (<i>née</i> Morris), Stella Marie
670	Tucker, Margaret Sarah	7250	Wills, Una
10856	Turner, Nancy Corser	5299	Wilson (<i>née</i> Druce), Alison Mollie
7459	Tyquin, Mary Kathleen	13115	Wilson, Margaret Cameron
		9342	Wilson, Nancy Phyllis
5170	Uren, Elza Helene	10205	Wilson (<i>née</i> Bailey), Rita Grace
10473	Uttley (<i>née</i> Mahy), Helen Marion	9727	Wilson, Rose
		12217	Wilton, Mary Beryl
6828	Vagg, Constance Lillian	11825	Wiltshire, Dorothy Emma
5434	Vigar, Jessie Marjorie	8336	Wines (<i>née</i> Whittet), Cora Lynn
12962	Vincent (<i>née</i> Morgan), Ida Emma Theresa	8869	Winstanley (<i>née</i> Richardson), Clarice
11153	Vincent, Marjorie Evalyn	2977	Winter, Lucy Elaine
10122	Virgin, Dorothy May	8886	Woolley, Annie Shepherd
8672	Voce, Phyllis Hilda	2343	Wright, Bessie
10296	Walker, Doreen Mavis	11707	Yeaman, Edith Wilson
6406	Walker (<i>née</i> Johnston), Iris Elizabeth	12317	Young, Joan
12963	Walker, Jean Mary	9554	Young, Nancy Rose
12684	Walker, Norma Hazel	10333	Young (<i>née</i> Piper), Sheila MacKenzie
1784	Wall, Lorrimar Eastwood		
7591	Wallace (<i>née</i> Milne), Edna Mary	11799	Zimmermann (<i>née</i> Loosli), Barbara Jeanette



[3465]



VICTORIA
GOVERNMENT GAZETTE.

Published by Authority.

[Registered at the General Post Office, Melbourne, for transmission by post as a newspaper.]

No. 298.]

TUESDAY, JULY 8.

[1947.

MIDWIVES ACT.

NURSES BOARD.

Supplementary

REGISTER OF MIDWIVES

for the Year ended 31st December, 1946.

Midwives Act 1928.

NURSES BOARD.

IN accordance with the provisions of the Midwives Act, the following copy of the Supplement to the Midwives Register, as at 31st December, 1946, is hereby published.

Sections 14 (a), and 15 (1a) indicate that the midwife holds a certificate in midwifery from the Women's Hospital, Melbourne, or such other certificate as is approved by the Board.

Section 14 (b) indicates that the midwife had been in bona fide practice, in Australia or New Zealand, for at least two years prior to December, 1915.

Section 14 (b) (2) indicates that the midwife has been in bona fide midwifery practice, in some part of His Majesty's Dominions, for at least one year prior to December, 1915, and has passed such examinations as the Board requires.

Sections 14 (c) and 15 (1) (c) indicate that the midwife had completed the prescribed course of training and passed the prescribed examination.

Sections 15 and 16 (1) indicate that the midwife has been trained and registered in some part of His Majesty's Dominions in which there is in force an Act for the registration of midwives, or that she is enrolled or certificated by an Institution or Association in existence where the training and examination is, in the opinion of the Board, substantially equivalent to that prescribed under the Midwives Act, Victoria.

Section 16 (2) indicates that the midwife had passed an examination required by the Board or undergone supplementary training.

Section 3, Nurses Registration Act, and section 4, Nurses Acts, indicate that in a locality where a hospital approved by the Nurses Board under the Midwives Act for the training of midwives was not available, a woman, being a registered nurse, had, under the direction of a medical practitioner, attended in childbirth not less than 50 women, and had, in the presence of a medical practitioner, personally conducted not less than (20) twenty cases of childbirth, and had passed the prescribed examination.

E. PITCHFORD,
Registrar.

23rd April, 1947.

SUPPLEMENT TO THE REGISTER OF MIDWIVES.

No.	Date of Registration.	Name.	Address.	Section.	Hospital or Training Establishment.
9139	8.11.46	Ackland, Emily Marion ..	Box 21, Woomelang	15 (1) (c)	Womens' Hospital, October, 1946
8993	12.7.46	Ackroyd, Joan Hopewell ..	A.I.M. Nursing Home, Ocdnadatta, South Australia	15 (1) (c)	Women's Hospital, May, 1946
8826	15.2.46	Adamson, Gladys Gwendolyn	74 Finch-street, East Malvern ..	15 (1) (c)	Women's Hospital, December, 1945
9050	9.8.46	Adcock, Alwyn Amy ..	Ward-street, Trafalgar	15 (1) (c)	Mildura Hospital, June, 1946
8893	12.4.46	Alexander, Edith Louisa ..	Base Hospital, Mooroopna	15 (1) (c)	Women's Hospital, August, 1945
8883	8.3.46	Amos, Pearl Anita Catherine	Spring Vale-road, Spring Vale South	15 (1) (c)	Women's Hospital, November, 1945
9073	13.9.46	Anderson, Frances Isobel ..	"Closeburn," Fakenham East ..	15 (1) (c)	St. George's Hospital, February, 1946
8827	15.2.46	Anderson, Gwendoline May ..	District Hospital, Bairnsdale ..	15 (1) (c)	Bendigo Hospital, November, 1945
9156	13.12.46	Ashton, Patricia Olga ..	39 Third-avenue, Mt. Lawley, W.A.	15 (1) (c)	Women's Hospital, August, 1946
8894	12.4.46	Atherton, Rosie Hazel ..	378 Sommerville-road, West Footscray	15 (1) (c)	Women's Hospital, April, 1946
9051	9.8.46	Atkin, Joan Edith ..	Pepper's Plain, via Warracknabeal	15 (1) (c)	Queen Victoria Hospital, May, 1946
8994	12.7.46	Atkins, Alma Jean ..	Saxton-street, Nurmurkah ..	15 (1) (c)	Mildura Hospital, May, 1946
9072	13.9.46	Atkinson, Margaret ..	Box 9, Kerang	15 (1) (c)	St. Vincent's Maternity Hospital, May, 1946
8884	8.3.46	Attrill, Beryl	17 Oakhill-avenue, Regent ..	15 (1) (c)	St. George's Hospital, Kew, Sep- tember, 1945
9157	13.12.46	Aumann, Winifred Margaret	"Greenford," Narro Warren ..	15 (1) (c)	Queen Victoria Hospital, April, 1946
8949	12.4.46	Ballhause, Margaret Tabitha	District Hospital, Swan Hill ..	16 (1)	Women's Hospital, Sydney, New South Wales, January, 1946
8828	15.2.46	Banner, Avis Evelyn ..	100 Hambleton-street, Middle Park	15 (1) (c)	Women's Hospital, November, 1945
8829	15.2.46	Baptist, Mary Ellen ..	St. Vincent's Maternity Hospital, East Melbourne	15 (1) (c)	St. Vincent's Maternity Hospital, October, 1945
8995	12.7.46	Barnes, Beatrice Anne ..	"Bonnie Vale," Tongala ..	15 (1) (c)	Epworth Hospital, May, 1946
9074	13.9.46	Beagley, Nita Lydia Edith ..	c/o P.O., Mount Evelyn ..	15 (1) (c)	Women's Hospital, July, 1946
8885	8.3.46	Beard, Dorothy May ..	Pound Creek, via Inverloch ..	15 (1) (c)	Women's Hospital, September, 1945
8830	15.2.46	Beard, Joan Elizabeth ..	71 Waltham-street, Flemington ..	15 (1) (c)	St. Vincent's Maternity Hospital, December, 1945
8971	10.5.46	Beavis, Elva	Private Hospital, Kaniva ..	16 (1)	Brisbane and South Coast Hospital, Qld., May, 1941
9066	9.8.46	Beck, Ursula	Bush Nursing Hospital, Kyabram	16 (1)	Brisbane and South Coast Hospital, Qld., March, 1946
8895	12.4.46	Becker, Duleia Eva ..	Bush Nursing Hospital, Rutherglen c/o Roadhouse, Fernshaw-road, Healesville	15 (1) (c)	Women's Hospital, December, 1945
9140	8.11.46	Bennett, Dorothy Valma ..	Box 134, Shepparton	15 (1) (c)	Women's Hospital, September, 1946
9052	9.8.46	Bennett, Muriel	64 Boisdale-street, Maffra ..	15 (1) (c)	Epworth Hospital, January, 1946
8954	10.5.46	Bennett, Rosaline May ..	14 Gerald-street, Murrumbona ..	15 (1) (c)	Bendigo Hospital, March, 1946
8896	12.4.46	Bergin, Margaret	3 Victoria-street, Sandringham ..	15 (1) (c)	St. Vincent's Maternity Hospital, February, 1946
8897	12.4.46	Bewsher, Edith Mary Eliza- beth	4 Canterbury-road, Toorak ..	15 (1) (c)	Women's Hospital, February, 1946
9175	13.12.46	Billett, Dora Constance ..	77 Hammer-street, Williamstown ..	16 (1)	Queen Alexander Hospital Tasmania, January, 1944
8898	12.4.46	Bold, Molly Ethel	Gippsland Base Hospital, Sale ..	15 (1) (c)	Queen Victoria Hospital, April, 1946
8899	12.4.46	Borthwick, Kathleen Margaret	Mystic Park	15 (1) (c)	Women's Hospital, December, 1945
8900	12.4.46	Bourke, Marianne Carmel ..	Women's Hospital, Carlton ..	15 (1) (c)	St. George's Hospital, Kew, Jan- uary, 1946
9094	11.10.46	Boyd, Betty	Queen Victoria Hospital, Melbourne	15 (1) (c)	Women's Hospital, July, 1946
9141	8.11.46	Brabin, Jean Emily ..	25 Sutherland-road, Armadale ..	15 (1) (c)	Queen Victoria Hospital, July, 1946
8974	10.5.46	Braid, Margaret Younger ..	Warrandyte-road, Kangaroo Grounds	16 (1)	King Edward Hospital, West Australia, November, 1940
8901	12.4.46	Breen, Margaret Elizabeth ..	75 Elizabeth-street, Coburg East ..	15 (1) (c)	Bendigo Hospital, March, 1946
8996	12.7.46	Browell, Betty Olive ..	"Cairnbaan," Coleraine	15 (1) (c)	Women's Hospital, December, 1945
8902	12.4.46	Brown, Elsie Sarah	29 Howard-street, Bendigo ..	15 (1) (c)	Queen Victoria Hospital, Feb- ruary, 1946
8831	15.2.46	Brown, Evelyn Peace ..	Young-street, Seaciff, S.A. ..	15 (1) (c)	Epworth Hospital, October, 1943
9095	11.10.46	Brown, Helen Dorothy ..	Elgin-street, Wodonga	15 (1) (c)	Women's Hospital, August, 1946
8832	15.2.46	Brown, Meryleen Lillian ..	Base Hospital, Ballarat	15 (1) (c)	Bendigo Hospital, September, 1945
9158	13.12.46	Brown, Verna Marjorie ..	54 Banksia-street, Heidelberg ..	15 (1) (c)	Ballarat Hospital
9053	9.8.46	Bruton, Annie	"Poto Alto," Inverell, N.S.W. ..	15 (1) (c)	Women's Hospital, December, 1944
9075	13.9.46	Burge, Ellen Gordon ..	2 Graylings-grove, St. Kilda ..	15 (1) (c)	Epworth Hospital, March, 1946
9153	8.11.46	Burgess, Josephine Anne ..	Jessie McPherson Hospital, Mel- bourne	15 (1) (c)	"Vaucluse" Private Hospital
9042	12.7.46	Burke, Marjorie June Rickard	Commonwealth Bank of Australia, Collins-street, Melbourne	16 (1)	Queensland Registration Certifi- cate No. 9028, dated July, 1945
8880	15.2.46	Campbell, Marjorie Brodie ..	Morey Hospital, East Melbourne ..	15 (1) (c)	County Maternity Hospital, Bells- hill, Scotland, October, 1940
8997	12.7.46	Carey, Mary Boyle	Mount Gambier, P.O., S.A. ..	15 (1) (c)	Women's Hospital, July, 1946
8998	12.7.46	Carter, Dorothy Madge ..	242 Albert-road, South Melbourne	15 (1) (c)	Women's Hospital, May, 1946
9000	12.7.46	Carter (née Crawford), Mar- jorie	32 Power-street, Balwyn	15 (1) (c)	Epworth Hospital, May 1946
8999	12.7.46	Chalmers, Jean Grace ..	19 Fairholm-grove, Camberwell ..	15 (1) (c)	Women's Hospital, April, 1942
9159	13.12.46	Champion, Ruth	15 New-street, Hampton	15 (1) (c)	Women's Hospital
9142	8.11.46	Chancellor, Kathleen Daphne	Cottage Hospital, Koo-wee-rup ..	15 (1) (c)	Women's Hospital, July, 1946
9096	11.10.46	Chipper, Merle Letitia ..	Scott-street, Mortlake	15 (1) (c)	Women's Hospital, August, 1946
8903	12.4.46	Christian, Hazel Olive ..		15 (1) (c)	Women's Hospital, October, 1945

SUPPLEMENT TO THE REGISTER OF MIDWIVES—*continued.*

No.	Date of Registration.	Name.	Address.	Section.	Hospital or Training Establishment.
9083	13.9.46	Clements, Daphne ..	c/o Mrs. H. Young, 24 Webster-street, Burwood	16 (1)	Brisbane and South Coast Hospital, Qld., March, 1946
8955	10.5.46	Coad, Dorothy Gertrude ..	Base Hospital, Ballarat ..	15 (1) (c)	Ballarat Hospital, February, 1946
8904	12.4.46	Coates, Sarah Jean ..	23 Beach-avenue, Elwood ..	15 (1) (c)	Women's Hospital, February, 1946
9134	11.10.46	Cohen, Lena Sybil ..	470 St. Kilda-road, St. Kilda, S.C.3	16 (1)	South Australian Registration Certificate No. 2673, dated September, 1946
9176	13.12.46	Collins, Kathleen ..	"Kulki" Private Hospital, The Grove, Coburg ..	16 (1)	King Edward Memorial Hospital, W.A., November, 1937
9097	11.10.46	Colton, Helen Burbury ..	82 Dinwoodie-avenue, Clarence Gardens, South Australia	15 (1) (c)	Women's Hospital, September, 1946
8833	15.2.46	Conlon, Joyce Zita ..	Mountain-road, Blackwood ..	15 (1) (c)	Women's Hospital, August, 1945
8975	14.6.46	Connolly, Marguerite Veronica	Elmore ..	15 (1) (c)	St. Vincent's Maternity Hospital, March, 1946
9098	11.10.46	Cooper, Effie Violet ..	8 Huntly-street, Elsternwick ..	15 (1) (c)	Women's Hospital, July, 1946
9174	13.12.46	Crafter, Velma Doris ..	Base Hospital, Horsham ..	15 (1) (c)	Women's Hospital
8905	12.4.46	Crawford, Mary Isabel ..	Grenville, via Buninyong ..	15 (1) (c)	Queen Victoria Hospital, February, 1946
8834	15.2.46	Crosbie, Grace ..	Flat 9, 33 Brighton-road, St. Kilda	15 (1) (c)	St. Vincent's Maternity Hospital, July, 1945
9001	12.7.46	Crowe, Mary ..	Campbell-street, Port Fairy ..	15 (1) (c)	St. Vincent's Maternity Hospital, June, 1946
8972	10.5.46	Currie, Clarice Edna ..	24 Mount-street, Kyogle, N.S.W...	16 (1)	Brisbane and South Coast Hospital, March, 1945
8906	12.4.46	Daly, Mildred Caroline ..	P.O., Koyuga ..	15 (1) (c)	Bendigo Hospital, January, 1946
9054	9.8.46	Daly, Sylvia Elizabeth ..	P.O., Koyuga ..	15 (1) (c)	Bendigo Hospital, May, 1946
9099	11.10.46	Daly, Teresa Carmel ..	105 Manning-road, East Malvern ..	15 (1) (c)	Women's Hospital, August, 1946
9002	12.7.46	Dancocks, Nance Evelyn ..	Rippon-road, Hamilton ..	15 (1) (c)	Queen Victoria Hospital, May, 1946
8835	15.2.46	Daniell, Gloria Joyce ..	33 Rosamund-street, East St. Kilda	15 (1) (c)	Women's Hospital, November 1944
8836	15.2.46	Daniels, Margaret Eugenie ..	368 Mont Albert-road, Mont Albert	15 (1) (c)	St. George's Hospital, Kew, December, 1945
8837	15.2.46	Danzig, Gertrude ..	16 Gurnes-street, St. Kilda ..	15 (1) (c)	Women's Hospital, January, 1946
8838	15.2.46	Davey, Gwenneth Kempster	Epworth Hospital, Richmond ..	15 (1) (c)	Epworth Hospital, September, 1945
9003	12.7.46	Davidson, Betty Woodford ..	29 Hanby-street, Middle Brighton	15 (1) (c)	Women's Hospital, May, 1946
8987	14.6.46	Davis, Dorothy Elna ..	25 Separation-street, Fairfield ..	16 (1)	Cairns Hospitals Board, Qld., December, 1945
8950	12.4.46	Deegan, Marjorie May ..	17 Bruce-street, West Coburg ..	16 (1)	St. Margaret's Hospital, N.S.W., May, 1933
8907	12.4.46	Dellar, Flora Jean ..	Yednia, via Kilcoy, Queensland ..	15 (1) (c)	Queen Victoria Hospital, February, 1946
8839	15.2.46	Dent, Nellie Clifford ..	District Hospital, Bairnsdale ..	15 (1) (c)	Bendigo Hospital, November, 1945
8908	12.4.46	Ditchfield, Sheila Joyce ..	"Warwick," Howlong-road, via Corowa	15 (1) (c)	Women's Hospital, August, 1945
8909	12.4.46	Dixon, Frances Margaret ..	Springvale-road, Wheeler's Hill ..	15 (1) (c)	Epworth Hospital, January, 1946
8956	10.5.46	Donehue, Daisy Joan ..	Branxholme ..	15 (1) (c)	Women's Hospital, March, 1946
8840	15.2.46	Downing, Elsie Joyce ..	113 Victoria-street, Warragul ..	15 (1) (c)	Ballarat Hospital, December, 1945
8841	15.2.46	Downing, Froda Patricia ..	Box 6, P.O., Nagambie ..	15 (1) (c)	Ballarat Hospital, December, 1945
9154	8.11.46	Dowrich, Hazel May ..	c/o V.T.N.C., 452 Lonsdale-street, Melbourne	16 (1)	King Edward Memorial Hospital, W.A., May, 1938
8910	12.4.46	Drummond, Helen Edith ..	Women's Hospital, Carlton ..	15 (1) (c)	Women's Hospital, April, 1946
8911	12.4.46	Drummond, Lorna Louise Jessie	19 Albert-street, Kerang ..	15 (1) (c)	Mildura Hospital, February, 1946
9004	12.7.46	Duncan, Agnes Elizabeth Mitchell	45 Dendy-street, Middle Brighton	15 (1) (c)	Queen Victoria Hospital, May, 1946
8912	12.4.46	Duncan, Kathleen Antoinette	28 Studley-road, Ivanhoe ..	15 (1) (c)	Women's Hospital, February, 1946
9177	13.12.46	Dundas, Eillen Maude ..	452 Whitehorse-road, Surrey Hills	16 (1)	Royal Hospital for Women, N.S.W., August, 1938
9005	12.7.46	Dunn, Gwenda Mildred ..	"Koralough," Middle Creek ..	15 (1) (c)	Women's Hospital, July, 1946
9006	12.7.46	Edwards, Elizabeth Myra ..	41 Nungerner-street, Balwyn ..	15 (1) (c)	Women's Hospital, April, 1946
8842	15.2.46	Egan, Marie Loyola ..	Broken River Hotel, Benalla ..	15 (1) (c)	Queen Victoria Hospital, August, 1945
8913	12.4.46	Emmerson, Gertrude Mary ..	17 Dalgety-street, St. Kilda ..	15 (1) (c)	St. Vincent's Maternity Hospital, June, 1945
8957	10.5.46	Endersby, Vernus Eileen ..	Commercial-street, Kaniva ..	15 (1) (c)	St. George's Hospital, Kew, March, 1946
8843	15.2.46	Esam, Alma Joan ..	Russell's Creek, Warrnambool ..	15 (1) (c)	Women's Hospital, October, 1945
9143	8.11.46	Ealer, Mary Isabel ..	14 Home-road, Newport ..	15 (1) (c)	Queen Victoria Hospital, July, 1946
8844	15.2.46	Evans, Jean Evelyn ..	51 Napier-street, Maryborough ..	15 (1) (c)	Ballarat Hospital, September, 1945
8845	15.2.46	Farr, Irene Mary ..	8 Clear Creek-road, Mirboo North	15 (1) (c)	Women's Hospital, November, 1945
8886	8.3.46	Fearon, Ellen Angelina ..	18 Bryon-street, Kew ..	15 (1) (c)	Women's Hospital, September, 1945
8887	8.3.46	Fechner, Alice Marie ..	Base Hospital, Ballarat ..	15 (1) (c)	Ballarat Hospital, June, 1945
9100	11.10.46	Feltham, Ruth Lilian ..	Belmore-road, Box Hill North ..	15 (1) (c)	St. George's Hospital, Kew, July, 1946
8958	10.5.46	Ferguson, Helen Julia ..	"Timaru" Private Bag, Launceston	15 (1) (c)	Women's Hospital, April, 1946
8959	10.5.46	Field, Lois Harriet ..	11 Ringwood-street, Ringwood ..	15 (1) (c)	Queen Victoria Hospital, February, 1946

SUPPLEMENT TO THE REGISTER OF MIDWIVES—*continued.*

No.	Date of Registration.	Name.	Address.	Section.	Hospital or Training Establishment.
8881	15.2.46	Fisher, Olive May ..	Hydro Hospital, Warburton ..	16 (1)	Royal Hospital for Women, N.S.W., October, 1941
9055	9.8.46	Fitzgerald, Patricia Mary ..	Commercial Banking Co., Horsham	15 (1) (c)	St. Vincent's Maternity Hospital, May, 1946
9076	13.9.46	Flint, Barbara Jeanie ..	Kia Ora Hospital, Gray-street, Hamilton	15 (1) (c)	Queen Victoria Hospital, February, 1943
8846	15.2.46	Flintoff, Winifred Eleanor ..	11 Rostrevor-parade, Mont Albert	15 (1) (c)	Epworth Hospital, October, 1945
9101	11.10.46	Fordyce, Ann ..	12 Centennial-avenue, Chatswood, New South Wales	15 (1) (c)	Women's Hospital, September, 1946
9102	11.10.46	Fordyce, Marjory ..	12 Centennial-avenue, Chatswood, New South Wales	15 (1) (c)	Queen Victoria Hospital, September, 1946
9007	12.7.46	Freeman, Alma Edith ..	18 Wallace-crecent, South Pascoe Vale	15 (1) (c)	Epworth Hospital, May, 1946
8988	14.6.46	Freeman, Melva Victoria ..	41 Downshire-road, Elsternwick ..	16 (1)	Women's Hospital, Crown-street, Sydney, May, 1942
9103	11.10.46	Fryer, Joan Margaret ..	43 Eakdale-road, Caulfield ..	15 (1) (c)	Women's Hospital, August, 1946
8847	15.2.46	Gallager, Annie Ella ..	Elmhurst ..	15 (1) (c)	Women's Hospital, November, 1942
8888	8.3.46	Gelmi, Edna Irene ..	3 Menkin-crescent, Wonthaggi ..	15 (1) (c)	Mildura Hospital, December, 1945
9104	11.10.46	Gibbons, Dulcie Winifred Agnes	5 Stour-street, Gilberton, S.A. ..	15 (1) (c)	Queen Victoria Hospital, September, 1946
9043	12.7.46	Gilmour, Thelma May ..	8 Renehan-street, Cootamundra, New South Wales	16 (1)	Women's Hospital, Sydney, June, 1933
9105	11.10.46	Givens, Emma ..	19 Logan-street, Canterbury ..	15 (1) (c)	Epworth Hospital, June, 1946
8914	12.4.46	Golden, Ursula Mary ..	8 Walker-street, St. Arnaud ..	15 (1) (c)	Queen Victoria Hospital, February, 1946
9160	13.12.46	Grant, Margaret Campbell	20 Pynsent-street, Horsham ..	15 (1) (c)	Queen Victoria Hospital
8848	15.2.46	Grattan, Ruth Elsie ..	Queen Victoria Hospital, Melbourne	15 (1) (c)	Queen Victoria Hospital, December, 1945
9106	11.10.46	Greer, Nancie Ernestine ..	114 Blyth-street, Brunswick ..	15 (1) (c)	Women's Hospital, July, 1946
8915	12.4.46	Griffiths, Phyllis Margaret ..	21 Adeny-avenue, Kew ..	15 (1) (c)	St. George's Hospital, Kew, January, 1946
9044	12.7.46	Grubb, Dulcie Jean ..	c/o No. 4 Canterbury-road, Toorak	16 (1)	Queen Alexandra Hospital, Tasmania, July, 1943
9107	11.10.46	Hagger, Gwenda Blanche ..	Queen Victoria Hospital, Melbourne	15 (1) (c)	Queen Victoria Hospital, August, 1946
8960	10.5.46	Halls, Irene Rosetta May ..	Reilly-street, Merbein ..	15 (1) (c)	Mildura Hospital, February, 1946
8951	12.4.46	Hanna, Jessie Margaret Anna	644 Canning-street, North Carlton	16 (1)	Royal Hospital for Women, N.S.W., May, 1939
9161	13.12.46	Harby, Pauline Maris ..	King-street, Port Lincoln, S.A. ..	15 (1) (c)	St. Vincent's Maternity Hospital
8849	15.2.46	Hardy, Victoria Glen ..	74 Ackland-street, St. Kilda ..	15 (1) (c)	Women's Hospital, December, 1945
8961	10.5.46	Harper, Alma Jean ..	Bethesda Hospital, Richmond ..	15 (1) (c)	Bethesda Hospital, December, 1945
9084	13.9.46	Hart, Coral Isabel ..	Mansfield-road, Benalla ..	16 (1)	Women's Hospital, Sydney, January, 1946
8916	12.4.46	Helmore, Kathleen Olive ..	Bamaurn, via Rochester ..	15 (1) (c)	St. Vincent's Maternity Hospital, March, 1946
8850	15.2.46	Henderson, Ruby ..	"Ierne," Kepler-street, Warrnambool	15 (1) (c)	Women's Hospital, May, 1945
9108	11.10.46	Hewson, Alice ..	169 Cape-street, Heidelberg ..	15 (1) (c)	Women's Hospital, September, 1946
9085	13.9.46	Hewston, Stella Jessie ..	Kinypaniol, via Korong Vale ..	16 (1)	Royal Hospital for Women, N.S.W., February, 1940
9162	13.12.46	Higgins, Margaret Ellen ..	Ford-street, Kapunda, S.A. ..	15 (1) (c)	St. Vincent's Maternity Hospital
9008	12.7.46	Higgins, Mary Elizabeth ..	2 Murdoch-road, Wangaratta ..	15 (1) (c)	Wangaratta Hospital, February, 1946
9009	12.7.46	Hirth, Elma Mary ..	"Glen Cairn," Werneth ..	15 (1) (c)	Queen Victoria Hospital, April, 1946
9163	13.12.46	Hoar, Betty Cunningham ..	35 Denning-street, Hawthorn, S.A.	15 (1) (c)	Women's Hospital
9045	12.7.46	Hoch, Ailsa Grant ..	Jessie McPherson Hospital, Melbourne	16 (1)	Queensland Registration No. 9029, dated July, 1945
8917	12.4.46	Hocking, Eva Joyce ..	83 Reginald-street, Bendigo ..	15 (1) (c)	Bendigo Hospital, February, 1946
8851	15.2.46	Hoiles, Daisy Irene ..	25 Bryson-street, Canterbury ..	15 (1) (c)	Queen Victoria Hospital, July, 1945
8852	15.2.46	Hopwood, Dulcie Joan ..	"Winton Hill," Korumburra ..	15 (1) (c)	Women's Hospital, October, 1945
9109	11.10.46	Hopwood, Ruth Margaret ..	"Woodlands," Boree Creek, N.S.W.	15 (1) (c)	Women's Hospital, July, 1946
8889	8.3.46	Horder, Avril Marian ..	23 Shakespeare-street, Traralgon ..	15 (1) (c)	Women's Hospital, May, 1942
9164	13.12.46	Horsburgh, Helen May ..	3 Karra Kutia-street, Black Rock	15 (1) (c)	Women's Hospital, December, 1945
9110	11.10.46	Howarth, Cecily Marie Prescott	St. George's Hospital, Kew ..	15 (1) (c)	St. George's Hospital, Kew, July, 1946
8918	12.4.46	Howman, Margaret Agnes Matilda	6 Sunnyside-avenue, Camberwell ..	15 (1) (c)	"The Haven," Fitzroy, March, 1946
8853	15.2.46	Hyde, Barbara Joan ..	Police Station, Deniliquin, N.S.W.	15 (1) (c)	Women's Hospital, November, 1945
9086	13.9.46	Iles, Sybil Catherine ..	Public Hospital, Casterton ..	16 (1)	Devon Public Hospital, Tasmania, Maternity Branch, April, 1943
8919	12.4.46	Ingleton, Lorna Lillian ..	Women's Hospital, Carlton ..	15 (1) (c)	Women's Hospital, February, 1946
9010	12.7.46	Jackson, Margaret Bowen ..	6 Howie-street, Glen Iris ..	15 (1) (c)	Women's Hospital, April, 1946
8920	12.4.46	Jamieson, Edith Annie ..	156 Osborne-street, Williamstown Beach	15 (1) (c)	Queen Victoria Hospital, November, 1945
9111	11.10.46	Jeffers, Elizabeth ..	131 Alma-road, North Caulfield ..	15 (1) (c)	Queen Victoria Hospital, September, 1946
8921	12.4.46	Jenkin, Dorothy Evelyn ..	93 Broadway, East Camberwell ..	15 (1) (c)	St. George's Hospital, Kew, February, 1946
9136	11.10.46	Johnston, Caroline May ..	94 Howard-street, Baroota Heights, Brisbane	16 (1)	Brisbane Women's Hospital, Queensland, August, 1945

SUPPLEMENT TO THE REGISTER OF MIDWIVES—continued.

No.	Date of Registration.	Name.	Address.	Section.	Hospital or Training Establishment.
8854	15.2.46	Jones, Lilian Mary ..	2 Tennyson-street, Kew ..	15 (1) (c)	Queen Victoria Hospital, November, 1945
9135	11.10.46	Joy, Margaret	St. Andrew's Hospital, East Melbourne	10 (1)	King Edward Memorial Hospital, W.A., May, 1943
8923	12.4.46	Julgo, Beryl Jul	Queen Victoria Hospital, Melbourne	15 (1) (c)	Queen Victoria Hospital, February, 1946
9165	13.12.46	Keddie, Mary June	"Bracside," Loith, Tasmania ..	15 (1) (c)	Women's Hospital
8856	15.2.46	Keiree, Thelma Margaret ..	Quamby Hospital, Bacchus Marsh	15 (1) (c)	Women's Hospital, November, 1945
9112	11.10.46	Kelahaer, Patricia Violet ..	St. George's Hospital, Cotham-road, Kew	15 (1) (c)	St. George's Hospital, Kew, July, 1946
9077	13.9.46	Kelly, Ann Christina	c/o C. B. O'Connor, Coghill-street, Yarrowonga	15 (1) (c)	St. Vincent's Maternity Hospital, June, 1946
9011	12.7.46	Kolly, Lois Churchward	"Espleigh," Porth, Tasmania ..	15 (1) (c)	Queen Victoria Hospital, May, 1946
8855	15.2.46	Kelton, Edna Jean	2 Charlotte-street, Echuca ..	15 (1) (c)	Women's Hospital, December, 1945
8857	15.2.46	Keon, Ellen Catherine	Base Hospital, Ballarat	15 (1) (c)	Ballarat Hospital, November, 1945
9012	12.7.46	Kerr, Margaret Irene	41 Rathmines-road, Hawthorn East	15 (1) (c)	Queen Victoria Hospital, May, 1946
8882	15.2.46	Kasby, Audrey Alison	23 Carroll-crescent, Glen Iris ..	16 (1)	King George V. Memorial Hospital, Sydney, February, 1944
8924	12.4.46	King, Lois Kathleen	24A Craig-avenue, Warracknabeal	15 (1) (c)	Queen Victoria Hospital, January, 1946
9144	8.11.46	King (<i>née</i> Clark), Lorna Etholeen	Box 6, Tullilgeal, via Wyalong, New South Wales	15 (1) (c)	St. Vincent's Maternity Hospital, January, 1944
9056	9.8.46	Kissane, Myra Agnes	35 Traill-street, Northcote ..	15 (1) (c)	St. Vincent's Maternity Hospital, May, 1946
9113	11.10.46	Knappstein, Olga Elizabeth ..	Clare, S.A.	15 (1) (c)	Queen Victoria Hospital, September, 1946
9114	11.10.46	Koster, Dorothy Alice	30 Aveland-avenue, Payneham, S.A.	15 (1) (c)	Queen Victoria Hospital, September, 1946
9060	9.8.46	Kruss (<i>née</i> Starick), Kathleen	Vernon-street, Croydon	15 (1) (c)	Queen Victoria Hospital, February, 1946
9115	11.10.46	Laidlaw, Marion	"Glenmore," Moe	15 (1) (c)	Women's Hospital, September, 1946
8976	14.6.46	Larkings, Patricia	47 Docker-street, Wangaratta ..	15 (1) (c)	Women's Hospital, November, 1945
9145	8.11.46	Latimer, Catherine June	National Bank, Lilydale	15 (1) (c)	Women's Hospital, October, 1946
9087	13.9.46	Lavis, Mary Alice	Puohelba, via Wangaratta	16 (1)	Women's Hospital, Sydney, January, 1946
8925	12.4.46	Leeson, Thelma Lillian	35 Pine-street, Surrey Hills ..	15 (1) (c)	Women's Hospital, January, 1946
8926	12.4.46	Leonard, Eunice Nellie	47 Gipps-street, Richmond	15 (1) (c)	Epworth Hospital, March, 1946
9013	12.7.46	Low Kong, Annie Eliza	43 Orrong-crescent, North Caulfield	15 (1) (c)	Queen Victoria Hospital, May, 1946
9137	11.10.46	Littleton, Catherine Coleman Patricia	Jessie McPherson Hospital, Melbourne	16 (1)	Brisbane and South Coast Hospital Board, October, 1940
9014	12.7.46	Longden, Betty	3 Errard-street, North Ballarat ..	15 (1) (c)	Ballarat Hospital, August, 1945
8989	14.6.46	Lucas, Margaret Rae	13 Victoria-avenue, Canterbury ..	16 (1)	Queen Victoria Hospital, July, 1945
9015	12.7.46	Lyons, Dorothy Muriel	17 Hotham-street, Seddon	15 (1) (c)	Queen Victoria Hospital, May, 1946
9046	12.7.46	Lyons, Mary Ellen Philomena	4 Oakes-avenue, Cremorne, N.S.W.	16 (1)	Royal North Shore Hospital, Sydney, May, 1942
9166	13.12.46	Maddon, Elizabeth Moreen	Alfred-street, Sobastopol, Ballarat ..	15 (1) (c)	Ballarat Hospital
9047	12.7.46	Maher, Rita Marie	476 Kooyong-road, Caulfield ..	16 (1)	Calvary Hospital, Adelaide, June, 1943
8858	15.2.46	Mahony, Mary Blanche	11 Egan-street, East Brighton ..	15 (1) (c)	Queen Victoria Hospital, November, 1945
9146	8.11.46	Magor, Elinor Cora	Edenhope	15 (1) (c)	Women's Hospital
8990	14.6.46	Manchester, Sheila Frances ..	Queen Victoria Hospital, Melbourne	16 (1)	Royal Hospital for Women, N.S.W., May, 1939
8962	10.5.46	Manoel, Marjorie Ellen	33 Manchester-street, Mile End, S.A.	15 (1) (c)	Women's Hospital, April, 1946
8991	14.6.46	Marshall (<i>née</i> Scholfield), Dorothy Evelyn	11 Trammer-street, North Fitzroy	16 (1)	Salvation Army Hospital, Lower Clapton-road, London, April, 1926
9016	12.7.46	Marshall, Marjorie Leam	Beremboke P.O., via Ballan	15 (1) (c)	Women's Hospital, June, 1942
9057	9.8.46	Martin, Audley Evelyn	"Springfield," Kairi, via Atherton, North Queensland	15 (1) (c)	Women's Hospital, May, 1946
8859	15.2.46	Mason, Ellen Elizabeth	22 Navis-street, Hartwell	15 (1) (c)	Women's Hospital, December, 1945
8927	12.4.46	Mason, Gwenneth Wharrie	6 Embling-road, Malvern	15 (1) (c)	Women's Hospital, October, 1945
8928	12.4.46	Mason, Violet Annie	Craigie P.O., via Maryborough ..	15 (1) (c)	St. George's Hospital, Kew, January, 1946
9017	12.7.46	Mather, Heather Alison	Box 34, Narracoorte, S.A.	15 (1) (c)	Women's Hospital, May, 1946
8860	15.2.46	Matthews, Decima Mary	St. George's Hospital, Cotham-road, Kew	15 (1) (c)	St. George's Hospital, Kew, November, 1945
8929	12.4.46	Mellor, Joyce	1681 Malvern-road, Glen Iris ..	15 (1) (c)	Women's Hospital, January, 1946
9178	13.12.46	Melville, Vera Holly	St. George's Hospital, Cotham-road, Kew	16 (1)	New Zealand Registration dated January, 1940
9088	13.9.46	Meredith, Leslie Doris	12 Asquith-street, Marlborough, S.A.	16 (1)	The Queen's Home Incorporated S.A., April, 1946
9167	13.12.46	Mitchell, Marjorie Maude	78 Stawell-street, Burnley	15 (1) (c)	The Haven Hospital Midwifery Certificate dated July, 1946
9093	13.9.46	Mitchell, Mavis Joan	95 Kooyong-Koot-road, Hawthorn	16 (1)	Royal Infirmary of Edinburgh, January, 1941

SUPPLEMENT TO THE REGISTER OF MIDWIVES—continued.

No.	Date of Registration.	Name.	Address.	Section.	Hospital or Training Establishment.
8977	14.6.46	Mitchell, Roma June ..	8 Coronation-street, Kerang ..	15 (1) (c)	Women's Hospital, February, 1946
8952	12.4.46	Moore, Ida Lillian ..	c/o 29 Osborne-avenue, Glon Iris	16 (1)	Brisbane and South Coast Hospital, Board, November, 1926
9116	11.10.46	Moore, Marjorie Catherine ..	"Gladeswood", P.O. Hall, A.C.T.	15 (1) (c)	Queen Victoria Hospital, August, 1946
9117	11.10.46	Moran, Kathleen Mary ..	Box 49, Tanunda, South Australia	15 (1) (c)	Women's Hospital, July, 1946
8978	14.6.46	Morgan, Lois Audrian ..	72 Riversdale-road, Hawthorn ..	15 (1) (c)	Queen Victoria Hospital, August, 1945
8930	12.4.46	Morrison, Mavis Winnifred ..	Private Bag, Nhill ..	15 (1) (c)	Women's Hospital, December, 1945
8979	14.6.46	Murdoch, Mavis Doreen Joyce	Box 215, Mildura ..	15 (1) (c)	Queen Victoria Hospital, February, 1946
9147	8.11.46	Murruane, Mary Hannah ..	254 Riversdale-road, Hawthorn	15 (1) (c)	Ballarat Hospital, April, 1942
8980	14.6.46	Murphy, Eileen Theresa ..	Armstrong-street, Charlton, Vic. ..	15 (1) (c)	St. Vincent's Maternity Hospital, February, 1946
9058	9.8.46	Murphy, Ruby Eileen ..	139 Jasper-street, Bentleigh ..	15 (1) (c)	Queen Victoria Hospital, June, 1946
9155	8.11.46	Murray, Margaret Florence ..	53 Pollack-street, Colaco ..	16 (1)	Queen Alexandra Hospital for Women, Tasmania, February, 1946
9118	11.10.46	McCarthy, Doris Eva ..	Birchip ..	15 (1) (c)	Queen Victoria Hospital, August, 1946
9119	11.10.46	McClure, Susan Josephine Morle	Iona, via Bunyip ..	15 (1) (c)	Women's Hospital, July, 1946
8862	15.2.46	McDonald, Jean Mary ..	394 Bay-street, Brighton ..	15 (1) (c)	Women's Hospital, January, 1946
9018	12.7.46	McDonald, Nita Eleanor ..	67 Yarra-street, Heidelberg ..	15 (1) (c)	Women's Hospital, November, 1945
9120	11.10.46	McDowall, Edith Beatrice ..	153 Anderson-street, Yarraville ..	15 (1) (c)	Women's Hospital, July, 1946
8863	15.2.46	McGrath, Mary Monica Sheila	Box 155, Minyip ..	15 (1) (c)	St. Vincent's Maternity Hospital, October, 1945
9019	12.7.46	McGregor, Phyllis Anne ..	145 Kooyong-road, Toorak ..	15 (1) (c)	Queen Victoria Hospital, May, 1946
8931	12.4.46	McHugh, Olive ..	108 George-street, East Melbourne	15 (1) (c)	Women's Hospital, March, 1946
8861	15.2.46	McInnes, Mary Pentland ..	Tinamba, Gippsland ..	15 (1) (c)	Women's Hospital, December, 1945
9020	12.7.46	McKechnie, Margaret Jean ..	"Martley," Sale ..	15 (1) (c)	Women's Hospital, March, 1946
9148	8.11.46	McMurrin, Dorothy ..	c/o 13 Queen-street, Kew ..	15 (1) (c)	Women's Hospital
9021	12.7.46	McNeill, Doreen Margaret ..	Winyallock, via St. Arnaud ..	15 (1) (c)	Women's Hospital, April, 1946
9071	9.8.46	McParlin, Gwendolyn Ann ..	46 Caroline-street, South Yarra ..	16 (1)	King Edward Memorial Hospital, W.A., November, 1942
8864	15.2.46	Neilson, Patricia Joan ..	11 Hampden-road, Battery Point, Hobart, Tasmania	15 (1) (c)	Women's Hospital, January, 1946
8932	12.4.46	Newall, Dulcio Jessie ..	Marnoo, via Stawell ..	15 (1) (c)	Queen Victoria Hospital, February, 1946
8865	15.2.46	Nowcourt, Calcedon Ivy ..	98 Pt. Nepean-road, Elsternwick ..	15 (1) (c)	Women's Hospital, November, 1945
9022	12.7.46	Newnham, Joan Coralie ..	Maffra District Hospital ..	15 (1) (c)	Women's Hospital, December, 1945
8963	10.5.46	Nicholls, Ida Muriel ..	Skipton ..	15 (1) (c)	Queen Victoria Hospital, January, 1946
9121	11.10.46	O'Brien, Charlotte Joan ..	Women's Hospital, Carlton ..	15 (1) (c)	Women's Hospital, August, 1946
8933	12.4.46	O'Donnell, Edith Jean ..	Box 383, Shepparton ..	15 (1) (c)	Bendigo Hospital, December, 1945
8866	15.2.46	Osment, Margaret Sydney ..	12 Willoby-avenue, East Malvern	15 (1) (c)	Queen Victoria Hospital, October, 1945
9122	11.10.46	Ould, Irene Florence ..	10 McKellar-street, Benalla ..	15 (1) (c)	St. George's Hospital, Kew, September, 1946
8934	12.4.46	Oxer, Mary Elizabeth Maxwell	25 Victoria-road, Camberwell ..	15 (1) (c)	Mildura Hospital, September, 1945
9168	13.12.46	Paddon, Muriel Hope ..	Evans Hoad, Richmond River, New South Wales	15 (1) (c)	Queen Victoria Hospital
8867	15.2.46	Paling, Henrietta Mary ..	2a Eblana-avenue, Mentone ..	15 (1) (c)	Epworth Hospital, October, 1945
8868	15.2.46	Palmer, Thelma May ..	St George's Hospital, Cotham-road, Kew	15 (1) (c)	St. George's Hospital, Kew, August, 1945
8869	15.2.46	Parfrey, Monica Edith Lydia	Nicholson-street, Rushworth ..	15 (1) (c)	Women's Hospital, July, 1945
8892	8.3.46	Parker, Florence Miriam ..	7 Graceburn-avenue, Carnegie ..	16 (1)	McBride Maternity Hospital, Adelaide, S.A., January, 1942
9078	13.9.46	Parkin, Lois Cavell ..	Box 10, Rushworth ..	15 (1) (c)	Bendigo Hospital, August, 1946
9023	12.7.46	Partridge, Marjorie Phyllis ..	Lobethal, South Australia ..	15 (1) (c)	Queen Victoria Hospital, May, 1946
8981	14.6.46	Paterson Joan Elizabeth ..	Jessie McPherson Hospital, Melbourne	15 (1) (c)	Queen Victoria Hospital February, 1946
9024	12.7.46	Payne, Clare Isobel ..	Springvale-road, Tally Ho P.O. ..	15 (1) (c)	Women's Hospital, April, 1946
9169	13.12.46	Payne, Edith May ..	Flat 16, "Arundel," Commercial-road, Melbourne, S.C.3	15 (1) (c)	Women's Hospital
9089	13.9.46	Pedersen, Grace Melatie ..	18 Monaco-street, Parkdale ..	16 (1)	McBride Maternity Hospital, Adelaide, S.A., December, 1939
8936	12.4.46	Porry, Beth ..	41 Sun-crescent, Sunshine ..	15 (1) (c)	Bendigo Hospital, March, 1946
9025	12.7.46	Phillips, Ethel Beatrice ..	Abdallah-road, Seymour ..	15 (1) (c)	Queen Victoria Hospital, June, 1946
8982	14.6.46	Piper (<i>née</i> Bell), Betty Hilson	"Morago," South-road, Ulverstone, Tasmania	15 (1) (c)	Women's Hospital, November, 1943
9170	13.12.46	Pitcher, Sonia Betty ..	Queen Victoria Hospital, Melbourne	15 (1) (c)	Queen Victoria Hospital
9026	12.7.46	Polkinghorne, Margaret Norma	Berrimal West, via St. Arnaud ..	15 (1) (c)	Women's Hospital, February, 1946
9067	9.8.46	Pont, Valerie Mary ..	District Hospital, Camperdown ..	16 (1)	Royal North Shore Hospital, Sydney, October, 1945
9123	11.10.46	Powney, Ethel Maude ..	Lloyd-street, Dimboola ..	15 (1) (c)	Queen Victoria Hospital, July, 1946
9079	13.9.46	Price, Marion ..	170 Cambridge-street, West Leederville, Western Australia	15 (1) (c)	Queen Victoria Hospital, June, 1946
9124	11.10.46	Prior, Irene Mary ..	9 Greville-street, Prahran ..	15 (1) (c)	Women's Hospital, September, 1945
8935	12.4.46	Punton, Betty ..	Woodstock-on-Loddon ..	15 (1) (c)	Bendigo Hospital, May, 1945
9027	12.7.46	Purves, Phyllis Ursula ..	Monaro, Baronia-road, Bayswater ..	15 (1) (c)	St. George's Hospital, Kew, January, 1946

SUPPLEMENT TO THE REGISTER OF MIDWIVES—continued.

No.	Date of Registration.	Name.	Address.	Section.	Hospital or Training Establishment.
9179	13.12.46	Putnam, Joan Grace ..	Flat 4, 95A Alma-road, St. Kilda	16 (1)	General Lying-in Hospital, York-road, Lambeth. Six months, ended January, 1945
8870	15.2.46	Quinn, Lucy Elizabeth ..	c/o W. J. Kerr, Pakenham-street, Echuca	15 (1) (c)	St. Vincent's Maternity Hospital, October, 1945
9125	11.10.46	Radclyffe, Gwendoline Jean	4 Centro Dandenong-road, Cheltenham	15 (1) (c)	Bendigo Hospital, August, 1946
9048	12.7.46	Reid, Ada Mary ..	Wings Club, King-street, Melbourne	16 (1)	Royal North Shore Hospital, Sydney, January, 1942
8983	14.6.46	Reid Dulcie Victoria ..	30 High-street, Glen Iris ..	15 (1) (c)	Women's Hospital, February, 1946
9128	11.10.46	Reid, Hazel Dorothy ..	12 Eyre-street, Deepdene ..	15 (1) (c)	Women's Hospital, July 1946
9090	13.9.46	Reid, Robie Alison ..	Kia Ora Hospital, Hamilton ..	16 (1)	South Sydney Women's Hospital, March, 1934
8871	15.2.46	Reynolds Marjorie Boyd ..	Lyndhurst, Mansfield ..	15 (1) (c)	Women's Hospital, January, 1946
9028	12.7.46	Richards, Gladys Mary ..	Owen, S.A. ..	15 (1) (c)	Women's Hospital, May, 1946
9029	12.7.46	Richards, Gwentyth Clare ..	"Ballara," High-street, Rutherglen	15 (1) (c)	Women's Hospital, December, 1945
9030	12.7.46	Riley, Nellie Olive ..	Jessie McPherson Hospital, Melbourne	15 (1) (c)	Queen Victoria Hospital, March, 1946
9031	12.7.46	Roberts, Dorothy Baylee ..	Gonn Crossing, via Kerang ..	15 (1) (c)	Women's Hospital, May, 1946
9032	12.7.46	Robinson, Maud Ray ..	"Braeside," Rhymsney, via Ararat	15 (1) (c)	Queen Victoria Hospital, May, 1946
8937	12.4.46	Roche, Jessie ..	17 Milan-street, Mentone ..	15 (1) (c)	Queen Victoria Hospital, February, 1946
9068	9.8.46	Rohrlach, Linda Laura ..	99 Guildford-road, Surrey Hills ..	16 (1)	McBride Hospital, Adelaide, S.A., November, 1945
9059	9.8.46	Rosengren, Margaret Hannah	64 Westgarth-street, Northcote ..	15 (1) (c)	St. Vincent's Maternity Hospital, May, 1946
9127	11.10.46	Ross, Georgina Ruby ..	Campbelltown, via Newstead ..	15 (1) (c)	Women's Hospital, August, 1946
9033	12.7.46	Rowland, Mary Isabella ..	Infectious Diseases Hospital, Fairfield	15 (1) (c)	Queen Victoria Hospital, May, 1946
9091	13.9.46	Ruppim, Charlotte Gertrud ..	770 Dunstable-road, Luton, Bedfordshire, England	16 (1)	Borough Maternity Hospital, Luton, England, August, 1943
9180	13.12.46	Ryan, Alice ..	38 Hannan-street, Williamstown ..	16 (1)	Royal Hospital for Women, N.S.W., November, 1932
8938	12.4.46	Sadler, Isabelle Ruth ..	12 Wigton-street, Ascot Vale ..	15 (1) (c)	Women's Hospital, February, 1946
9128	11.10.46	Salmon, Valda Maurino ..	St. Vincent's Maternity Hospital, East Melbourne	15 (1) (c)	St. Vincent's Maternity Hospital, August, 1946
9034	12.7.46	Scarth, Kathleen ..	Queen Victoria Hospital, Melbourne	15 (1) (c)	Queen Victoria Hospital, April, 1946
8964	10.5.46	Scherer, Lina Lucio ..	Queen Victoria Hospital, Melbourne	15 (1) (c)	Queen Victoria Hospital, March, 1946
8965	10.5.46	Scherer, Viola Esther ..	Queen Victoria Hospital, Melbourne	15 (1) (c)	Queen Victoria Hospital, March, 1946
8953	12.4.46	Schier, Alma Anna ..	Community Hospital, Brighton ..	16 (1)	Queen Alexandra Hospital for Women, Hobart, November, 1945
9080	13.9.46	Schwerdt, Gertrude Norah Pauline	Base Hospital, Mildura ..	15 (1) (c)	Mildura Hospital, June, 1946
8966	10.5.46	Serine, Beryl Marjorie ..	49 Gibbs-street, Kelvin Grove, Brisbane, Queensland	15 (1) (c)	Mildura Hospital, April, 1946
9181	13.12.46	Scrivener, Ruth Hessie ..	Taihoa, Mt. Irvine, N.S.W. ..	16 (1)	Women's Hospital, Sydney, October, 1941
8939	12.4.46	Shanahan, Fay Isabel ..	31 Llanecast-street, Malvern ..	15 (1) (c)	Women's Hospital, January, 1946
8872	15.2.46	Simons, Ellen Rose ..	23 Brook-street, Hawthorn ..	15 (1) (c)	St. Vincent's Maternity Hospital, September, 1945
9081	13.9.46	Simpson, Beryl Catherine ..	15A Strathalbyn-street, East Kew ..	15 (1) (c)	Women's Hospital, September, 1941
8873	15.2.46	Sloane, Beatrice Teresa ..	Police Station, Frankston ..	15 (1) (c)	Queen Victoria Hospital, August, 1945
8984	14.6.46	Smith, Betty Margaret ..	1178 Burke-road, North Balwyn ..	15 (1) (c)	Queen Victoria Hospital, August, 1945
9129	11.10.46	Sommerville, Eva Alison ..	108 Second-avenue, Joslin, Adelaide	15 (1) (c)	Women's Hospital, October, 1946
9149	8.11.46	Spence, Dorothy May ..	Queen Victoria Hospital, Melbourne	15 (1) (c)	Queen Victoria Hospital
9171	13.12.46	Stair, Patty Donise ..	Tresco ..	15 (1) (c)	Women's Hospital
9061	9.8.46	Steel, Emily Sadie ..	8 Florence-street, Stawell ..	15 (1) (c)	St. Vincent's Maternity Hospital, May, 1946
9035	12.7.46	Stewart, Alma Jean ..	58 Roberts-avenue, Horsham ..	15 (1) (c)	Women's Hospital, May, 1946
8940	12.4.46	Stewart, Gwendoline ..	Telegraph Hotel, Gisborne ..	15 (1) (c)	Women's Hospital, January, 1946
8890	8.3.46	Stewart, Melva Jean ..	65 May-street, Preston ..	15 (1) (c)	Women's Hospital, June, 1945
8992	14.6.46	Cox (née Strickland), Alison Annie	5 Washington-street, Toorak ..	16 (1)	Royal Hospital, Paddington, New South Wales, November, 1943
9036	12.7.46	Strother, Margaret Shirley ..	Curlwaa, via Mildura ..	15 (1) (c)	Women's Hospital, March, 1946
9062	9.8.46	Stutterd, Nestle Hope ..	c/o 92 Caroline-street, South Yarra	15 (1) (c)	Women's Hospital, May, 1946
9130	11.10.46	Suna, Ida Mary Ivy ..	261 Enoggera-road, Newmarket, Brisbane	15 (1) (c)	Women's Hospital, October, 1946
8941	12.4.46	Swift, Elsie ..	31 Seves-street, Altona ..	15 (1) (c)	Queen Victoria Hospital, February, 1946
9037	12.7.46	Synnot, Estella Pearl ..	15 Tobin-street, Ararat ..	15 (1) (c)	Women's Hospital, March, 1946
9038	12.7.46	Talbot, Marjory Olive ..	32 Charles-street, Burwood ..	15 (1) (c)	Epworth Hospital, June, 1946
8942	12.4.46	Taylor, Zita Nancy ..	Box 49, Shepparton ..	15 (1) (c)	Bendigo Hospital, March, 1946
9150	8.11.46	Thom, Edna May ..	Willaston, S.A. ..	15 (1) (c)	Women's Hospital, November, 1937

SUPPLEMENT TO THE REGISTER OF MIDWIVES—*continued.*

No.	Date of Registration.	Name.	Address.	Section.	Hospital or Training Establishment.
8874	15.2.46	Thomas, Isabella Dorothy ..	Epworth Hospital, Richmond ..	15 (1) (c)	Epworth Hospital, October, 1945
8967	10.5.46	Thompson, Jessie Rosabel ..	46 Chelmsford-avenue, Lindfield, New South Wales ..	15 (1) (c)	St. George's Hospital, Kew, Feb- ruary, 1946
9039	12.7.46	Thompson, Mary Winifred ..	Mercy Hospital, East Melbourne ..	15 (1) (c)	Women's Hospital, July, 1946
8943	12.4.46	Thompson, Nancy Carolino ..	48 Coppin-street, East Malvern ..	15 (1) (c)	Queen Victoria Hospital, August, 1945
8973	10.5.46	Thornhill, Margaret Hawie ..	Hume Highway, Mittagong, N.S.W.	16 (1)	King George V. Memorial Hospital, Sydney, January, 1945
9049	12.7.46	Thorp, Claudia Lena ..	Stanley, North West Coast, Tas.	16 (1)	Queen Victoria Hospital, August, 1943
8968	10.5.46	Tinkler, Lorna Mary ..	Private Bag, Picola ..	15 (1) (c)	Queen Victoria Hospital, May, 1945
8985	14.6.46	Tippett, Ruth Elizabeth ..	"Scrub Hill," Newlyn ..	15 (1) (c)	Women's Hospital, August, 1945
9172	13.12.46	Toomey, Elizabeth Magdalen ..	25 Donham-street, Hawthorn ..	15 (1) (c)	St. Vincent's Maternity Hospital, December, 1946
9082	13.9.46	Treasure, Pearl Edith ..	30 Stratford-road, Maffra ..	15 (1) (c)	Women's Hospital, August, 1946
8875	15.2.46	Trembath, Margaret Lillian ..	9 Hope-street, Bendigo ..	15 (1) (c)	St. George's Hospital, Kew, Dec- ember, 1945
9138	11.10.46	Trsvithick, Laurel Melva Car- thow ..	99 Guildford-road, Surrey Hills ..	16 (1)	McBride Hospital, S.A. November, 1943
9131	11.10.46	Uppill, Elsie Ann Edna ..	20 St. David-street, Fitzroy ..	15 (1) (c)	Queen Victoria Hospital, Sep- tember, 1946
8969	10.5.46	Vanderfeen, Patricia ..	89 Mollison-street, Bendigo ..	15 (1) (c)	Bendigo Hospital, March, 1945
9069	8.9.46	Walker, Jean Lauder ..	Base Hospital, Geelong ..	16 (1)	Women's Hospital, Sydney, Sep- tember, 1935
8944	12.4.46	Walker, Jean Mary ..	308 Canterbury-road, Surrey Hills	15 (1) (c)	Queen Victoria Hospital, February, 1946
9040	12.7.46	Wallish, Norma Joy ..	Base Hospital, Ballarat ..	15 (1) (c)	Ballarat Hospital, May, 1946
8945	12.4.46	Walsh, Una Toresa ..	"Homewood," Trentham ..	15 (1) (c)	St. Vincent's Maternity Hospital, January, 1946
8876	15.2.46	Warden Margaret Maud ..	58 Kooyong-road, Armadale ..	15 (1) (c)	Bethesda Hospital, September, 1945
9132	11.10.46	Wasley, Ruth Lillian ..	36 Coppin-grove, Hawthorn ..	15 (1) (c)	Epworth Hospital, August, 1946
8946	12.4.46	Watson, Betty May ..	14 Fawkner-street, St. Kilda ..	15 (1) (c)	Women's Hospital, February, 1946
9133	11.10.46	Watson, Jessie Margaret ..	"Glenormond," Derrinallum ..	15 (1) (c)	Women's Hospital, September, 1946
9063	9.8.46	Watts, Olga Eleanor ..	16 Butcher-street, St. Arnaud ..	15 (1) (c)	Women's Hospital, April, 1946
9092	13.9.46	Watts (née Yorath) Winifred Merva ..	19 Banchory-street, Essendon ..	16 (1)	King Edward Memorial Hospital, Western Australia, June, 1945 ..
9152	8.11.46	Weatherhead, Elizabeth Jean ..	33 Urquhart-street, Hawthorn ..	15 (1) (c)	Women's Hospital, January, 1942
8877	15.2.46	Weaver, Doreen Ivy ..	200 Ballarat-road, Footscray ..	15 (1) (c)	Mildura Hospital, December, 1945
8891	8.3.46	White, Alison Joyce ..	Yallourn Hospital, Yallourn ..	15 (1) (c)	Women's Hospital, July, 1945
9151	8.11.46	White, Lorna Rosemary ..	95 Moseley-street, Glenelg, S.A. ..	15 (1) (c)	Women's Hospital, September, 1946
9064	9.8.46	Whitling, Kathleen Margaret ..	11 Sadlier-crescent, Petersham, Sydney ..	15 (1) (c)	St. Vincent's Maternity Hospital, May, 1946
8970	10.5.46	Wicks, Marjorie Bernice ..	27 Southernhay-street, Regent ..	15 (1) (c)	Women's Hospital, February, 1946
9173	13.12.46	Wilkinson, Elva Jean ..	11 Through-road, Burwood ..	15 (1) (c)	Bethesda Hospital, January, 1944
8878	15.2.46	Wilkinson, Irena ..	11 Through-road, Burwood ..	15 (1) (c)	Queen Victoria Hospital, February 1944
8879	15.2.46	Willmott, Betty Kathleen ..	143 Riversdale-road, Camberwell ..	15 (1) (c)	Women's Hospital, December, 1945
9070	9.8.46	Willmott, Iris May ..	Bush Nursing Hospital, Kyabram ..	16 (1)	Brisbane Women's Hospital, Qld., April, 1946
8947	12.4.46	Williams, Kathleen Clare ..	Queen Victoria Hospital, Melbourne	15 (1) (c)	Queen Victoria Hospital, February, 1946
8948	12.4.46	Williams, Olive May ..	Base Hospital, Ballarat ..	15 (1) (c)	Ballarat Hospital, March, 1946
9041	12.7.46	Wilson, Margaret Annie ..	District Hospital, Leonora, via Kal- goorlie, Western Australia ..	15 (1) (c)	Women's Hospital, May, 1946
8986	14.6.46	Wilson, Margaret Treamer ..	Victoria-point, via Cleveland, Bris- bane, Queensland ..	15 (1) (c)	Women's Hospital, January, 1946
9065	9.8.46	Ying, Margaret ..	30 Goldsmith-street, Maryborough	15 (1) (c)	Ballarat Hospital, November, 1945

CHANGES OF NAME BY MARRIAGE DURING 1946.
MIDWIVES.

Registration No.	Name.	Address.
3926	Atherton (née Byrnes), Florence Josephine	369 High-street, St. Kilda
6449	Bonnett (née Barbor), Rachael Annie	Whorouby South, via Wangaratta
6775	Booker (née Goss), Marion Grace	Hume-street, Rushworth
9000	Carter (née Crawford), Marjorie	242 Albert-street, South Melbourne
8421	Chant (née Pollard), Nellie	359 Mitcham-road, Mitcham
8077	Crossan (née Lycott), Margaret	52 Heddorwick-street, Essendon
8132	Crouch (née Faulkner), Jean	Long-street, Montone, S.11
7783	Cutting (née Russell), Dorothy May	248 Riversdale-road, Hawthorn
4785	Davis (née Anderson), Caroline Edney	50 Rundle-street, Ararat
6084	Felmingham (née Shalders), Olive May	3 Ligar-street, Ararat
6615	Fetherston (née Walker), Eleanor Margaret	22 Robe-street, St. Kilda
6024	Fox (née Key), Florrie Constance	15 Federation-street, Ascot Vale
7626	Hellier (née Beach), Esma Margaret	"Chaffey," Renmark, South Australia
6682	Herrmann (née Kinnersty), Mavis Esther Janet	11 Malakoff-street, Ballarat
7679	Huntingford (née Thomas), Florence Lettie	"Grey Holme," Cora Lynn
5523	Johnson-Turnor (née Greenwood), Dora Florence	Camp-street, Beechworth
7344	Kelly (née Niven), Mary Esther	Flat 5, 30 Shelley-street, Elwood
8520	Kilpatrick (née Roberts), Mary Amelia	Boyeo, via Nhill
9060	Kruss (née Starick), Kathleen	Vernon-street, Croydon
7497	Lancaster (née Connor—formerly Dean), Mary	"Loyola" Private Hospital, Church-street, Richmond
7677	Donaghan (née Tainsh), Minnie Joyce	"Hillside," Clydesdale, via Daylesford
6738	Login (née Lynch), Mary Margaret	Dutson, via Sale
5850	MacDonald (née Calwell), Doris May	c/o Chemist, Rosebud
5205	Mackey (née Daly), Edna Laura	14 Preston-road, Hughesdale
8001	Marshman (née Read), Violet Vines	Grosswoll Sanatorium, Mont Park
8658	Mason (née Flannery), Zoe	15 Power-street, Balwyn, E.8
8229	Morgan (née Nancarrow), Jean Isabel	Hillcrest-avenue, Eltham
8106	McClelland (née Gunn), Edith Elizabeth	99 Pt. Nepean-road, Seaford
6281	McIntyre (née White), Gwentyth Lloyd	"Karmala," Willaura
8200	Patorson (née Francis), Phyllis Louisa	Flat 3, 15 Tennyson-street, Elwood
7932	Potch (née Wilson), Ellen Jessie	30 Erin-street, Richmond
6005	Price (née McKenzie), Marian Stuart	348 Bamba-road, Caulfield
5127	Reynolds (née Carroll), Lynda Veronica	442 Punt-road, South Yarra
6693	Rodger (née Favalaro), Joan Florence Maria	Bush Nursing Hospital, Bright
6052	Roffey (née Uren), Elsa Helen	Norlane P.O., Melbourne-road, Geelong
6952	Rosan (née Pitty), Nellie Lois	109 Hope-street, Geelong West
7365	Treasure (née Condon), Ethel Agnes Floris	48 Alfred-street, Maffra
8434	Wainwright (née Birrell), Myrtle Evelyn	Barwon Hills, Winchelsea
4298	Watson (née Carroll), Ethel	Box 23, Wycheproof
8438	Weaver (née Dolley), Tholma	44 Orford-street, Moonee Ponds
5862	Wescott (née McNeill), Winifred Agnes	40 Queens-avenue, St. Arnaud
6656	White (née Paul), Phyllis Catherine	Waterloo Hotel, Bridge-street, Bendigo
6681	Young (née Gunn), Iris	Woods Point, Victoria
5299	Young (née Stone), Marion	135 Victoria-street, Warragul

CHANGE OF ADDRESS DURING 1946.

Name.	Registration No.	Address.	Date of Registration.	Section of Act under which Registration was effected.
Adams, Nellie	3457	102 Bell-street, Coburg	6.3.25	14 (c)
Adeney, Mary	6562	Base Hospital, Mildura	8.4.38	15 (1) (c)
Ahlston, Edna	4377	School-road, Ferny Creek	25.1.29	14 (c)
Air, Iris Nancy	8500	32 Edna-grove, East Coburg	3.11.44	15 (1) (c)
Aldrich, Eleanor Muriel (née Crust)	6020	District Hospital, Walcha, New South Wales	14.2.36	15 (1) (c)
Allan, Agnes Stirling	231	74 Kinkora-road, Hawthorn	24.8.16	14 (a)
Allen, Violet May	8467	62 Melville-street, Hawthorn	6.10.44	15 (1) (c)
Amor, Jean Margaret	5062	West Gippsland Hospital, Warragul	27.11.31	15 (1) (c)
Anderson, Aoritta Mavis	8063	Stanley-terrace, Wynnum Central, Queensland	7.5.43	15 (1) (c)
Anderson, Edith Margaret	5531	District Hospital, Geelong	24.11.33	15 (1) (c)
Anderson, Elizabeth McAra	8432	"Inglebrook," Gould-street, Frankaton	4.8.44	15 (1) (c)
Anderson, Robina Margaret	6901	61 Davis-avenue, South Yarra	19.7.39	15 (1) (c)
Andrews, Caroline Elizabeth	4668	400 Waverley-road, East Malvern	14.3.30	15 (1) (c)
Attwood, Emmie Elizabeth	4484	Trentham	24.5.29	14 (c)
A'Vard (née Cheffors), Alice Matilda May	7114	5 Korringa-road, Carnegie	19.4.40	15 (1) (c)
Baglin, Elizabeth Constance	3749	17 Lyndhurst-crescent, Hawthorn	4.6.26	14 (c)
Baker, Merle Dorcen	8543	Quai-road, Gunnedah, New South Wales	9.2.45	15 (1) (c)
Ballard, Rosalind Eva	3144	P.O., Whittlesea	6.7.23	14 (a)
Banner, Daisy Margaret	8399	Methodist Overseas Mission, 139 Castleroagh-street, Sydney	7.7.44	15 (1) (c)
Barclay, Linley Irene	6121	8 Coppins-grove, Hawthorn	21.8.36	15 (1) (c)
Barrott (née Lee), Jessie Margaret Harrison	8764	Flat 1, 908 Malvern-road, Armadale	12.10.45	15 (1) (c)
Barnes, Avia Noriel	8763	Booram	12.10.45	15 (1) (c)
Bayton, Ida Mavis	6038	"Elouara," Barkly-terrace East, Bendigo	20.3.36	15 (1) (c)
Bocher, Katherine Margaret	6468	c/o Shire Offices, Foster	24.11.37	15 (1) (c)
Bockott, Catherine	6916	Beach-avenue, Elwood	4.8.39	15 (1) (c)
Beer, Joan Ismay	8249	"Mildon," Private Hospital, Glenhuntly	11.2.44	15 (1) (c)
Begg, Erna Margaret	7311	144 Carlisle-street, St. Kilda	13.12.40	15 (1) (c)
Bolchor, Grace Eunice	7598	Colebon-road, Trentham	5.9.41	16 (1)
Belfrage, Grace Howard	7819	67 Sydney-parade, Geelong	3.7.42	15 (1) (c)
Bell, Margaretta Jean	3150	c/o Bank of N.S.W., Head Office, George-street, Sydney	7.9.23	14 (c)
Bence (née Smith), Dorothea	3285	47 Boundary-road, East Geelong	14.3.24	14 (c)

CHANGE OF ADDRESS DURING 1946—continued.

Name.	Registration No.	Address.	Date of Registration.	Section of Act under which Registration was effected.
Benoit, Muriel Joyce	7250	254 Riversdale-road, Hawthorn	13.9.40	15 (1) (c)
Bonnett (née Barber), Rachael Annie	6449	Whorouby South, via Wangaratta	1.10.37	15 (1) (c)
Bonnetts (Mrs.), Henrietta Ruby	959	25 Linda-crescent, Hawthorn	30.3.17	14 (a)
Beran, Anna Margarethe Alida	8469	West Gippsland Hospital, Warragul	6.10.44	15 (1) (c)
Bernhardt, Elsie Gertrude	8195	Base Hospital, Mooroopna	5.11.43	15 (1) (c)
Bernhardt, Pauline Dorothea	7067	Guildford, Private Hospital, Camberwell	9.2.40	15 (1) (c)
Berry, Jean Catherine	5559	"Argull," Cohuna	14.12.33	15 (1) (c)
Bevan, Rosalind Florence	6609	324 Wattle-tree-road, East Malvern	3.6.38	15 (1) (c)
Beverley, Jane	4900	c/o Mrs. A. Tosh, The Parade, Yea	27.3.31	15 (1) (c)
Bingham, Florence Grace	8217	District Hospital, Warracknabeal	17.12.43	15 (1) (c)
Blacker, Elsie May	3195	c/o A. N. Barcham, Julia-street, Portland	7.12.23	14 (c)
Blackwell, Gladys Evelyn	7814	Lower Clarence Hospital, Maclean, N.S.W.	5.6.42	16 (1)
Bland, Anna Elizabeth	7725	24 Prosser-avenue, Norwood, South Australia	6.3.42	16 (1)
Blaubaum, Elizabeth	8218	181 Orrong-road, Toorak	17.12.43	15 (1) (c)
Blaycock, Ngaire Gray	8544	B. N. Hospital, Donald	9.2.45	15 (1) (c)
Bray, Joan Mary	7068	56 Mary-street, Hawthorn	9.2.40	15 (1) (c)
Broadbridge, Joan Craig	8471	39 Victoria-parade, Collingwood	6.10.44	15 (1) (c)
Bromley, Mina Alice	4259	"Inglewood," Point Nepean-road, West Rosebud	6.7.28	14 (c)
Brookman, Elsie Thelma Louise	7892	21 George-street, Homeville, West Maitland, New South Wales	7.8.42	16 (1)
Brown, Nellie Frances Talbot	3921	11 Rushall-crescent, North Fitzroy	11.3.27	14 (a)
Brown, Stella Ellen	3925	104 Studley Park-road, Kew	11.3.27	14 (c)
Bryant, Edna Dulcie	8324	48 Webster-street, Ballarat	11.2.44	16 (1)
Bryant, Ellen May	4963	Flat 2, 18 Riversdale-road, Hawthorn	26.6.31	15 (1) (c)
Bryce, Hilda Muriel	2440	Foxhow, via Berrybank	9.2.20	14 (c)
Bunworth, Stella Margaret	5025	Bush Nursing Hospital, Birchip	25.9.31	15 (1) (c)
Butcher, Vera Lillian	4428	David-street, Albury, New South Wales	22.3.29	14 (c)
Byrne, Lucie Whitson	7720	113 Wattle-street, Bendigo	6.3.42	15 (1) (c)
Cain (née Larkin), Mary Joan	8460	6 Alfred-street, Caulfield	1.9.44	15 (1) (c)
Callanan, Ruby May	5459	48 Koornong-road, Carnegie	28.7.33	15 (1) (c)
Cameron, Sylvia Millicent	7425	Yarram Hospital	14.3.41	16 (1)
Campbell, Jessie	7507	290 Charles-street, Launceston, Tasmania	13.6.41	16 (1)
Campbell, Joan Alwyn	8472	M.D.N.S., Victoria-parade, Collingwood	6.10.44	15 (1) (c)
Carr, Sarah	6017	452 Lonsdale-street, Melbourne	14.2.36	15 (1) (c)
Carroll, Olive Irene	4611	P.O., Warrenheip	13.12.29	14 (c)
Carruthers, Janet	3302	6 Ridley-street, Sunshine	13.6.24	14 (c)
Carruthers, Mary	3422	6 Ridley-street, Sunshine	5.12.24	14 (c)
Carswell (née Gilbert), Marion Cameron	6728	13 Rentore-street, Camberwell	5.12.38	15 (1) (c)
Carter (née Vinco), Marjory	7532	P.O., Cardross	1.8.41	15 (1) (c)
Carter (née Robinson), Phyllis Victoria	5251	131 Mitcham-road, Mitcham	26.8.32	15 (1) (c)
Carter, Verna Lesley	7692	Flat 2, 3 Vista-grove, Toorak	19.12.41	15 (1) (c)
Cattran (née Stewart), Vivienne Hope	6158	8 Havelock-street, Maidstone	21.8.36	15 (1) (c)
Cavanagh, Sarah Tresa	2352	84 Moreland-road, Moreland	3.3.19	14 (c)
Cawthorn, Margaret Jean	7629	Risdon-road, Lindisfarne, Tasmania	19.12.41	15 (1) (c)
Chandler, Anno	8794	Box 93, Lakes Entrance	9.11.45	15 (1) (c)
Cheatley (née McLean), Margaret Jean	7452	West Roadside, Tatura	4.4.41	15 (1) (c)
Cheesman, Esme Weldon	8066	Children's Hospital, Perth	7.5.43	15 (1) (c)
Chosell, Jean Miller	6723	Bush Nursing Hospital, Euroa	5.12.38	15 (1) (c)
Chomley, Patricia Downes	5969	c/o Bank of Australasia, Threadneedle-street, London	29.11.35	15 (1) (c)
Churches, Maggie Beryle	7177	15 Ackland-street, Cammeray, New South Wales	7.6.40	15 (1) (c)
Clarke, Aubrey Mascotte	6124	8 Walstab-street, Brighton	21.8.36	15 (1) (c)
Clements, Joyce Emily	4758	P.O. Box 21, Kyabram	27.7.30	15 (1) (c)
Clozy, Jane Fordyce	7606	Main-road, Monbulk	3.10.41	16 (1)
Colo, Alice Beryl	8732	"Fernbank," Tyabb	10.8.45	15 (1) (c)
Coffey, Catherine	2599	17 Buxton-street, Flemington	4.10.20	14 (a)
Coles (née Lippett), Lillian Eileen	6596	Eye and Ear Hospital, Melbourne	6.5.38	15 (1) (c)
Collins, Georgina	2647	30 The Avenue, Windsor	6.12.20	14 (a)
Copplestone, Lesley Myrna Meade	8457	Officer-street, Mortlake	1.9.44	15 (1) (c)
Cottrell, Mary Ellen	7121	695 Keiwa-street, Albury, New South Wales	19.4.40	15 (1) (c)
Craddock, Clara Elizabeth	1676	24 James-street, Box Hill	10.12.17	14 (b)
Croswell, Daphne Emma Frances	8549	39 Victoria-parade, Collingwood	9.2.45	15 (1) (c)
Crooke, Ellen May	5707	Wolton Hill, Gympie, Queensland	27.7.34	16 (1)
Crook, Irene Grace	5765	Bush Nursing Hospital, Myrtleford	14.12.34	15 (1) (c)
Cross (née Botts), Isobel Charlotte	5640	Bogong, via Wodonga	27.4.34	15 (1) (c)
Crouch (née Faulkner), Jean	8132	Long-street, Mentone	6.8.43	15 (1) (c)
Crozier, Eleanor Jean	8400	c/o Mrs. R. Gibbs, Caniambo P.O., Victoria	7.7.44	15 (1) (c)
Cukrow, Helene	7123	36 Charles-street, Prahran	19.4.40	15 (1) (c)
Cullen, Elizabeth Ethel	4431	281 Inkerman-street, East St. Kilda	22.3.29	14 (c)
Cupitt, Louisa S.	333	3 Tuckett-street, Fairfield	7.9.16	14 (b)
Curtis (née Hewitt), Florence Olive May	4351	"Longacres," Deep Dene, Birregurra	2.11.28	14 (c)
Cutler, Agnes Hoster	7756	47 Burnes-street, Hamilton	1.5.42	15 (1) (c)
Cuttle, Hilda Kenley	5898	2 Canterbury-road, Camberwell	26.7.35	15 (1) (c)
D'Arcy, Joan Dolores	8014	Base Hospital, Mildura	5.3.43	15 (1) (c)
Davidson, Elizabeth Bell	7426	District Hospital, Wonthaggi	14.3.41	16 (1)
Davies, Dolores Antonia	4770	29 Heddorwick-street, Essendon	29.8.30	15 (1) (c)
Davis (née Anderson), Caroline Edney	4785	50 Rundle-street, St. Arnaud	26.9.30	15 (1) (c)
Dawe, (Mrs.) Marion Heather	8552	51 Wattle-road, Hawthorn	9.2.45	15 (1) (c)
Day, Alison Joan	7406	District Hospital, Dandenong	14.2.41	16 (1)
Digby, Joan	7698	Mothercraft Home, Roope-street, Hobart, Tasmania	6.2.42	15 (1) (c)
Dobbie, Charlotte	3629	19 Fincher-street, Wonthaggi	9.10.25	14 (a)
Dodd, Monica	3252	266 Commercial-road, Morwell	14.3.24	14 (c)
Doherty, Ivy Kathleen Mavis	8474	Mersey Hospital, East Melbourne	6.10.44	15 (1) (c)
Donnelly, Charlotte	5029	246 Beaconsfield-parade, Middle Park	25.9.31	15 (1) (c)
Donovan, Mary	4128	13 Deakin-street, Traralgon	13.1.28	14 (c)
Dowie (née Maddison), Agnes Freda Margaret	4776	Bush Nursing Hospital, Forrest	29.8.30	15 (1) (c)
Dowling (née Geary), Clarice Minnie	4223	61 Wattle-tree-road, Malvern	4.5.28	14 (c)
Draffin, Ruth May	8553	117 Kooyong-road, Armadale	9.2.45	15 (1) (c)

CHANGE OF ADDRESS DURING 1946—continued.

Name.	Registration No.	Address.	Date of Registration.	Section of Act under which Registration was effected.
Drakeford (née Gatens), Eunice Mary ..	3308	39 Mackay-street, Essendon	13.6.24	14 (c)
Drummond, Mary May	6432	Wilson-street, Berwick	3.9.37	15 (1) (c)
Duddy, Ellen	1911	21 Pleasant-street, Geelong	15.4.18	14 (b) (2)
Duffy, Doris Mary	8030	5 Nixon-street, Benalla	2.4.43	15 (1) (c)
Duncan, Doris Winifred	4941	Windarra Private Hospital, Williams-road, Toorak	24.4.31	15 (1) (c)
Duncan, Lexie Ursula	2978	40 Orrong-road, Armadale	22.9.22	14 (c)
Dunstan, Nance Isobel	8093	3 Cardigan-street, Ballarat	4.6.43	15 (1) (c)
Dwyer, Elizabeth Jean	7640	176 Gatehouse-street, Parkville	19.12.41	15 (1) (c)
Dwyer, Moira Elizabeth	7510	7A Douglas-street, East Malvern	13.6.41	16 (1)
Dyall, Lillian May	7320	c/o Mrs. A. Webster, Victoria-street, Hastings	13.12.40	15 (1) (c)
Earle, Ethel May	1560	8 Victoria-street, Warrnambool	30.10.17	14 (a)
Earle, Eva Florence	2980	Marshall, via Geelong	22.9.22	14 (c)
Eckorsley, Joyce Ella	6344	Base Hospital, Ballarat	7.5.37	15 (1) (c)
Edmonds, Irene Florence	8555	Bush Nursing Hospital, Yackandandah	9.2.45	15 (1) (c)
Edwards, Martha	3087	28 Connaught-crescent, Launceston, Tasmania	2.3.23	14 (c)
Egan, Mary Lucy	7758	St. John of God Hospital, Warrnambool	1.5.42	15 (1) (c)
Eisoman (née Hassall), Mary Elizabeth	3259	18 Murphy-street, South Yarra	14.3.24	14 (c)
Eldridge, Myra Alexandra	7901	"Novar" Private Hospital, Ballarat	4.9.42	15 (1) (c)
Elliot, Nancy Amelia	6677	Royal Melbourne Hospital, Parkville	2.9.38	15 (1) (c)
Elmore (Mrs.), Naomi Catharine	3792	Kerang	6.8.26	14 (a)
Engstrom, Svea Ingeborg	8160	Jessie McPherson Hospital, William-street, Melbourne	3.9.43	15 (1) (c)
Erdman, Nita Lily	8477	Austin Hospital, Heidelberg	6.10.44	15 (1) (c)
Everingham, Iris May	7950	Bush Nursing Hospital, Murchison	11.12.42	16 (1)
Ewon, Clarice Christina	3512	65 Murphy-street, South Yarra	8.5.25	14 (c)
Farnell, Elsie Isabel	6179	398 Albert-street, East Melbourne	9.10.36	16 (1)
Feldhuhn, Erika Erna	8478	15 Nott-street, East Malvern	6.10.44	15 (1) (c)
Fetherston (née Walker), Eleanor Margaret	6615	22 Robe-street, St. Kilda	3.6.38	15 (1) (c)
Field, Olive Elizabeth	8164	13 Adelaide-street, Ringwood	3.9.43	16 (1)
Finlayson, Annie Aileen	5872	c/o Scoresbriac, Box 19, Clunes	24.5.35	15 (1) (c)
Finn, Doris Josephine	5565	278 Punt-road, South Yarra	14.12.33	15 (1) (c)
Fisher (formerly Leek, née Vinen), Jessie Margaret	1661	District Hospital, Forsyth	26.11.17	14 (b)
Fishlock (née Wynne), Dorothy Eleanor ..	3408	Bush Nursing Hospital, Beulah	12.9.24	14 (c)
Flaye, Vera Joan	4678	Wandin North	14.3.30	15 (1) (c)
Flanders, Leila Grey	8675	District Hospital, Vamboal, Queensland	8.6.45	15 (1) (c)
Footo (née Bennett), Frances Mary	3962	22 Wandsworth-road, Surrey Hills	6.5.27	14 (c)
Forbes, Annie Dorothy	8346	St. George's Hospital, Cotham-road, Kew	31.3.44	15 (1) (c)
Forrest, Ida Mary	3514	303 Sydney-road, Coburg	8.5.25	14 (c)
Forsyth, Mary Wilson	3383	7 Moss-street, Prahran	12.9.24	14 (c)
Foster, Hilda Charlotte	6249	c/o Mrs. L. Collings, 17 Denmark Hill-road, Hawthorn	5.2.37	15 (1) (c)
Fox (née Key), Florrie Constance	6024	15 Federation-street, Ascot Vale	14.2.36	15 (1) (c)
Fox, Marjorie Isabel	8094	Swan Hill Hospital	4.6.43	15 (1) (c)
Frasor, Edna May	8087	Base Hospital, Mildura	7.5.43	16 (1)
Frasor, Elizabeth Hutchinson	5387	Base Hospital, Wangaratta	31.3.33	15 (1) (c)
Frost, Marcia Louise	4345	Tonkins-parade, Benalla	2.11.28	14 (c)
Gainger (née Ubergang), Cecilia Caroline	7788	Cromie-street, Rupanyup	1.5.42	15 (1) (c)
Gardiner, Agnes Margaret	4971	"Loch Brae," Kerresdale	26.6.31	15 (1) (c)
Gardiner, Flora Beekwith	144	Warburton-road, Seville	4.8.16	14 (b)
Gaston, Kathleen Sylvia	6213	16 Maitland-street, Glen Iris	11.12.36	15 (1) (c)
Geisler, Patricia Josephine	8540	26 Curtis-street, Williamstown	15.12.44	16 (1)
Gilbert, Eva May Graco	7843	110 Roslyn-street, Burwood	3.7.42	16 (1)
Gillott, Eileen Maud	8263	St. Andrew's Hospital, Cathedral-place, East Melbourne	11.2.44	15 (1) (c)
Gillett (née Hutton), Madeline Forsyth ..	8373	395 Glenferrie-road, Hawthorn	28.4.44	15 (1) (c)
Goodin, Wilhelmina Edna	6069	68 William-street, Brighton	1.5.36	15 (1) (c)
Goold (née Wass), Martha	8725	5 Gilwell-avenue, Traralgon	13.7.45	16 (1)
Goidie, Ida Rita Mae	1201	29 Valentine-grove, Armadale	8.6.17	14 (b)
Gorey, Mary Audrey	8201	"Glenvale," Barham, New South Wales	5.11.43	15 (1) (c)
Graham, Alice Tholma	5012	Q.M.I.D. Hospital, Fairfield	31.7.31	16 (1)
Graham, Irene Maude	6000	Children's Hospital, Mt. Eliza	20.12.35	15 (1) (c)
Grant, May Louise	5008	Bush Nursing Hospital, Dromana	31.7.31	15 (1) (c)
Graves, Rita Alice	8391	Rushworth-road, Kyabram	2.6.44	15 (1) (c)
Green, Annie Jardino	3290	215 Yarra-street, South Geelong	4.4.24	15
Green, Elsie Millicent	8407	29 Manifold-street, Geelong	7.7.44	15 (1) (c)
Grylla, Edith Melva	7440	Altona Community Hospital	4.4.41	15 (1) (c)
Hagolthorn, Mary	6778	139 Skene-street, Shepparton	10.2.39	15 (1) (c)
Hagor (née Tomplar), Sylvia	3829	Bay View Hotel, Burnie, Tasmania	6.8.26	14 (c)
Hains, Alice Myer	5710	14 Sebastopol-street, Caulfield	27.7.34	16 (1)
Hall, Doris Edna May	5820	Reparation Hospital, Kooyong-road, Caulfield	29.3.35	15 (1) (c)
Hall, Florence Minnie	3112	155 Powlett-street, East Melbourne	1.6.23	14 (c)
Hamilton, (Mrs.) Helen Chisholm	3089	District Hospital, Stawell	1.6.23	14 (a)
Hammill, Githa Kathleen	7689	Hackham, South Australia	19.12.41	16 (1)
Hannah, Florence Margaret	5952	30 Manningham-street, West Parkville	27.9.35	15 (1) (c)
Hanley, Kathleen	2941	30 Rowen-street, Bendigo	9.6.22	14 (c)
Harbinson, Ethel	4794	Hazel Bank, Mortlake	26.9.30	15 (1) (c)
Harney, Honora Josephine	7329	Base Hospital, Mildura	13.12.40	15 (1) (c)
Harris, Jean Alwynne	7847	Base Hospital, Ballarat	3.7.42	15 (1) (c)
Harris, Thelma Ethel	7265	District Hospital, Stawell	13.9.40	15 (1) (c)
Harrison, Hazel May	7498	Base Hospital, Hamilton	13.6.41	15 (1) (c)
Haseler, Nell Frances Winifred	6898	"Airlie" Private Hospital, Ivanhoe	9.6.39	16 (1)
Hawkey (née Biddle), Doris Thelma	8502	P.O., Korumburra	3.11.44	15 (1) (c)
Hayward (née Barnes), Adel Vera	6354	48 Baillie-street, North Melbourne	11.6.37	15 (1) (c)
Healey, Eileen Ann	4824	Central Hospital, Melbourne	31.10.30	15 (1) (c)
Heenan, Mary	7105	District Hospital, Greensborough	9.2.40	16 (1)
Heenan (née Nixon), Mary	7397	c/o Mr. H. Nixon, "Homebush", Berriwillock, Victoria	14.2.41	15 (1) (c)

CHANGE OF ADDRESS DURING 1946—continued.

Name.	Registration No.	Address.	Date of Registration.	Section of Act under which Registration was effected.
Henderson, Janie Margaret Lillian ..	7474	17 Thames-promenade, Chelsea ..	2.5.41	15 (1) (c)
Herrmann (née Kiinersly), Mavis Esther Janet	8682	11 Malakoff-street, Ballarat ..	2.9.38	15 (1) (c)
Hewson, Bertha Alma ..	6972	State Savings Bank, Mitcham ..	1.9.39	15 (1) (c)
Hickford (née Junner), Winifred Florence	3886	43 Valley-parade, Glen Iris ..	14.1.27	14 (c)
Higgins, Jean ..	515	27 Bay-street, Mordialloc ..	26.10.16	14 (a)
Hill, Ellen Anne ..	7864	Anderson-street, Euroa ..	7.8.42	15 (1) (c)
Hill, Rita Grace ..	4270	Baby Health Centre, Morwell ..	6.7.28	14 (c)
Hollins, Lillian Ada ..	5604	Infant Welfare Centre, Tatura ..	12.2.34	15 (1) (c)
Holzinger (née Wilmersdoefer), Jeanette Luise	8756	45 Stanhope-grove, Camberwell ..	7.9.45	15 (1) (c)
Honey, Gertrude ..	6173	c/o A.N.C.M. Rooms, 174 Collins-street, Melbourne	11.9.36	16 (1)
Honey, Molly ..	7979	23 Wahroonga-road, Murrumbena ..	5.2.43	15 (1) (c)
Hopkins (née Sharp), Lenna Irene	3731	3 Lyttleton-street, Castlemaine ..	13.3.26	14 (c)
Horsley, Lois Edith ..	8274	10 Scott-grove, Burwood ..	11.2.44	15 (1) (c)
Hortle, Mary Ruth ..	8529	District Hospital, Narracoorte, South Australia ..	15.12.44	15 (1) (c)
Horwood, Nancy Helen ..	7865	5 Prospect Hill-road, Camberwell ..	7.8.42	15 (1) (c)
Howman, Margaret Agnes Matilda	8918	6 Sunnyside-avenue, Camberwell ..	12.4.46	15 (1) (c)
Hunter (Mrs.), Mary ..	37	Milon-street, Braybrook ..	21.7.16	14 (b)
Huntingford (née Thomas), Florence Lettice	7679	"Grey Holme", Cora Lynn ..	19.12.41	15 (1) (c)
Inglis, Avis Jean ..	7929	17 Lansdowne-crescent, West Hobart, Tasmania	6.11.42	15 (1) (c)
Jacobs, Rachel Miriam ..	6004	56 Adelaide-street, Armadale ..	20.12.35	15 (1) (c)
James, Enid Gladys ..	8134	Glondara, c/o Martin's Store, Ferny Creek, Victoria	6.8.43	15 (1) (c)
Jeffroy, Marjorie Lyl ..	4799	District Hospital, Bairnsdale ..	26.9.30	15 (1) (c)
Jennings, Gertrude May ..	6888	Flat 1, Walmer-street, Kew ..	9.6.39	15 (1) (c)
Jennings (née Mackintosh), Janet Luoy ..	8042	11 Durham-street, Heidelberg ..	2.4.43	15 (1) (c)
Jickell, Unity Mary ..	8629	District Hospital, Home Hill ..	13.4.45	15 (1) (c)
Johns, Ethel Matilda V. ..	4949	Private Hospital, Jeparit ..	24.4.31	16 (1)
Johnston, Thelma Caroline ..	6478	235 Lydiard-street, Ballarat ..	24.11.37	15 (1) (c)
Johnson-Turner (née Greenwood), Dora Florence	5523	Camp-street, Beechworth ..	27.10.33	15 (1) (c)
Jones, Irene Ellen ..	5141	Winfield Nurses' Home, Albert-street, East Melbourne	8.4.32	15 (1) (c)
Keating, Constance ..	8111	Central Hospital, Melbourne ..	2.7.43	15 (1) (c)
Keiller, Kathleen Rae ..	8700	Brighton Community Hospital ..	13.7.45	15 (1) (c)
Keiller, Mary Stanford ..	7982	Bush Nursing Hospital, Heywood ..	5.2.43	15 (1) (c)
Kelly, Helen Theresa ..	5674	Lancefield ..	22.6.34	15 (1) (c)
Kermond, Aileen Teresa ..	7771	51 Urquhart-street, Castlemaine ..	1.5.42	15 (1) (c)
Kermond, Dorothea Elizabeth ..	7772	51 Urquhart-street, Castlemaine ..	1.5.42	15 (1) (c)
King, Beryl May ..	4098	43 Kerford-street, East Malvern ..	4.11.27	14 (c)
Kingsley, Clarice Nellie ..	8570	293 Mont Albert-road, Surrey Hills ..	9.2.45	15 (1) (c)
Kircher (née Catron), Virginia May ..	7312	The Rectory, Oberon, New South Wales	13.12.40	15 (1) (c)
Kirkpatrick, Dorothy Lang ..	4061	414 Nicholson-street, North Fitzroy ..	6.9.27	14 (c)
Kittely, Johanna ..	3523	7 Wallace-street, Newtown, Geelong ..	8.5.25	14 (c)
Lancaster (formerly Dean, née Connor), Mary	7497	"Loyola" Private Hospital, Church-street, Richmond	13.6.41	15 (1) (c)
Lavator (née Stephens), Beatrice Kathleen	536	11 Harvey-street, Malvern ..	26.10.16	14 (b)
Lawler, (Mrs.) Alice Margaret ..	3974	District Hospital, Maldon ..	6.5.27	14 (c)
Lawrence, Beatrice Pearl ..	6938	Ropatriation Hospital, Heidelberg ..	4.8.39	15 (1) (c)
Lawrence, Patricia ..	8530	Box 14, Nyah ..	15.12.44	15 (1) (c)
Lawrey, Elsie Jean ..	6711	"Tronowin", Diamond Creek ..	14.11.38	15 (1) (c)
Lee (née Sarson), Susan ..	2999	9 Ritchie-street, Leongatha ..	22.9.22	14 (c)
Leeson, Nina Mary Eileen ..	7690	2 Glen Iris-road, Camberwell ..	19.12.41	16 (1)
Leslie, Joan Mary ..	4475	674 High-street, Armadale ..	19.4.29	14 (c)
Lestor, Millicent Ysolde ..	8282	9 Woodstock-street, Canterbury ..	11.2.44	15 (1) (c)
Lewin, Margaret Elwood ..	8571	The Vicarage, Ringwood ..	9.2.45	15 (1) (c)
Login (née Lynch), Mary Margaret	6738	Dutson, via Sale ..	5.12.38	15 (1) (c)
Loneragan, Ellen ..	8136	Hamilton Russell House, Alfred Hospital, Prahran	6.8.43	15 (1) (c)
Long, Gweneth Mary ..	7736	A.M. College, Cooranbong, New South Wales	27.3.42	15 (1) (c)
Lovett, Patricia Mary ..	8412	Farnborough, Kent, Tasmania ..	7.7.44	15 (1) (c)
Luker, Thelma Elizabeth ..	6737	Gippsland Hospital, Sale ..	5.12.38	15 (1) (c)
Lumsden (née Zoch), Constance Patricia ..	3991	Pax-street, Traralgon ..	6.5.27	14 (c)
Lyons, Irene ..	5860	2 Canterbury-road, Camberwell ..	26.4.35	15 (1) (c)
Macdowell, Mary Florence Champ	7656	50 Victoria-crescent, Mont Albert ..	19.12.41	15 (1) (c)
Macgregor, (Mrs.) Edith Dina ..	4182	Olive-grove, Boronia ..	2.3.28	14 (c)
Mackey (née Daly), Edna Laura	5205	14 Preston-road, Hughesdale ..	29.7.32	15 (1) (c)
Maggs, Mary Beatrice Josephine	3614	31 Camp-street, Chelsea ..	4.9.25	14 (c)
Mahoney, Ellen Catherine ..	3650	482 New-street, Elwood ..	6.11.25	14 (c)
Main, Beatrice Mary ..	3681	Softon-place, East Camberwell ..	15.11.26	14 (c)
Main, Bertha Looie Findlay ..	7167	Hospital, Burketown, Queensland ..	3.5.40	15 (1) (c)
Malcolm, Phyllis Elizabeth ..	5695	12 Skene-street, Hamilton ..	27.7.34	15 (1) (c)
Marousson, Veronica May ..	5538	9 Station-street, Malvern ..	24.11.33	15 (1) (c)
Marquardt, Mary ..	2419	35 Munday-street, Geelong ..	6.10.19	14 (a)
Marden, Mary Elizabeth ..	6739	P.O., Heathmont ..	5.12.38	15 (1) (c)
Marshman (née Read), Violet Vines	8001	Grosswell Sanatorium, Mont Park ..	5.2.43	15 (1) (c)
Mason, Nancy Isabel ..	7988	9 Clifford-street, Kurralta Park, South Australia	5.2.43	15 (1) (c)
Mason, Violet Joyce ..	8177	7 Verdun-street, Surrey Hills ..	1.10.43	15 (1) (c)
Massingham, Nelly Sophia ..	8116	977 Burke-road, Upper Hawthorn ..	2.7.43	15 (1) (c)
Melgaard, Doris Lillian Emma ..	7706	29 Hemming-street, Dandenong ..	6.2.42	15 (1) (c)
Meyer, Crystal Jessie ..	8637	Yarra Junction ..	13.4.45	15 (1) (c)
Middleton, Margaret Maughan ..	8703	Base Hospital, Mildura ..	13.7.45	15 (1) (c)
Miles, Joan Temple ..	6261	Bush Nursing Centre, Buchan ..	5.2.37	15 (1) (c)
Miller, Leila Rose ..	3034	District Hospital, Minyip ..	11.3.27	14 (c)
Dingle-Mitchell, Dorothy ..	3617	47 Cole-street, Elwood ..	4.9.25	14 (c)
Mitchell (née Knights), Frances Catherine	6216	38 Hannan-street, Williamstown ..	29.7.32	15 (1) (c)
Mitchell, Melba Grace ..	8638	District Hospital, Goulburn, New South Wales	13.4.45	15 (1) (c)
Molynaux, Jean Elizabeth ..	8376	c/o Mrs. Muir, Lynch-street, Yarrowonga	28.4.44	15 (1) (c)
Monger, Dorothy Bettine ..	7451	B.N.A., Woodenbong, via Kyogle, New South Wales	4.4.41	15 (1) (c)

CHANGE OF ADDRESS DURING 1946—continued.

Name.	Registration No.	Address.	Date of Registration.	Section of Act under which Registration was effected.
Mogan (née Nancarrow), Jean Isobel ..	8229	Hillcrest-avenue, Eltham	17.12.43	15 (1) (c)
Morison, Jessie Grant	4187	53 Prospect Hill-road, Camberwell	2.3.28	14 (c)
Morrison, Maggie	4803	194 Woodland-street, Essendon	26.9.30	15 (1) (c)
Mulcahy, Bedolia Mary	8290	25 Mabel-street, Murrumbidgee	11.2.44	15 (1) (c)
Mullan, Ethel Cathorine	8740	Lisieux Hospital, Cobram	10.8.45	15 (1) (c)
Muller (née Cowley), Gladys Muriel ..	6771	272 Park-street, South Melbourne	10.2.39	15 (1) (c)
Murphy, Andriana Elsie Grace	4450	Bush Nursing Hospital, Boort	22.3.29	14 (c)
Murphy (née Reeves), Audrey Doreen ..	5180	223 Gordon-street, Footscray	27.5.32	15 (1) (c)
Murnane, Catherine	6263	Flat 4, 254 Riversdale-road, Hawthorn ..	5.2.37	15 (1) (c)
McAlpine, Anna May	8291	7 Deermut-street, Albion	11.2.44	15 (1) (c)
McCallum, Jean Edith	7908	18 Kennedy-street, Marylands, Western Australia	4.9.42	16 (1)
McCarthy, Monica	7515	610 Carrington-street, Albury	13.1.41	16 (1)
McCay, Dulcie Ella Lal	7951	Community Hospital, Frankston	11.12.42	16 (1)
McClounan (née Fisher), Lily Irene ..	3433	133 Royal-parade, Parkville	5.12.24	14 (c)
McCooke (née Meldrum), Helen	3616	"Lakoside", East Brooklin	4.9.25	14 (c)
McCulloch, Dorothy Constance	7169	Dennington	3.5.40	15 (1) (c)
McCubbin, Marion McNicol	7083	148 Durham-road, Sunshine	9.2.40	15 (1) (c)
McDonald, Ellen Mary	4179	111 The Parade, Ascot Vale	2.3.28	14 (c)
McDougall (formerly Smith), May Elizabeth	2720	222 Gilbert-road, West Preston	14.2.21	14 (c)
McDowell, Matilda Ritchie	7232	15 Houghton-street, North Balwyn	2.8.40	15 (1) (c)
McGain (Mrs.), Hilda Victoria	3355	806 Malvern-road, Armadale	8.8.24	14 (c)
McGrath, Veronica A.	4626	27 Albert-street, Footscray	13.12.29	14 (c)
McGregor, Laura Helen	8742	33 Rangeview-grove, North Balwyn	10.8.45	15 (1) (c)
McGuire, Frances E.	6614	Rosehill Private Hospital, Bentleigh	3.6.38	15 (1) (c)
McIntyre, Minnie	2324	Ensay, East Gippsland	3.3.19	14 (c)
McKay, Violet Isobel	7556	European Hospital, Rabaul, New Britain ..	1.8.41	15 (1) (c)
McKean, Marjorie Christina	8744	Australian Inland Mission, Hall's Creek, Northern Territory	10.8.45	15 (1) (c)
McLeod, Margaret Helen	3787	37 Christobel-crescent, Hawthorn	4.6.26	Sec. 3, N.R.A.
McMenamin, Betty Joan	7780	60 Queen's-road, Melbourne	1.5.42	15 (1) (c)
McMillan-Kerr (née Wilson), Elizabeth Jane	8140	c/o P.H.D., Kokopo, via Rabaul, New Britain ..	6.8.43	15 (1) (c)
McPherson, Marjorie Jean	7274	418 Murray-road, Preston	13.9.40	15 (1) (c)
Nicholas (née Allenden), Elsie Gladys ..	4555	Gilbert-street, Tallangatta	16.8.29	15 (1)
Nicholson, Evelyn Eunice	7953	52 Fawkner-street, Essendon	11.12.42	15 (1) (c)
Ninnis, Marjorie Hazel	7945	28 Kyarra-road, Gardiner	11.12.42	15 (1) (c)
Norling, Hilda Helena	8641	Foster, Victoria	13.4.45	15 (1) (c)
Nunn, Hazel Alexandria	8576	Box 19, Heywood	9.2.45	15 (1) (c)
Oakley, Doris Eileen	6406	10 Joffre-street, Mowbray Heights, Launceston	6.8.37	15 (1) (c)
O'Brien, Agnes Mary	4322	44 Breakwater-road, East Geelong	14.9.28	14 (c)
O'Brien (née Bennett), Anastasia Frances	6376	135 High-street, Prahran	6.8.37	15 (1) (c)
O'Connor, Eileen Mary	7141	114 McIlwraith-street, Princes Hill	19.4.49	15 (1) (c)
O'Connor, Kathleen Cicely	4508	188 Panton-street, Golden Square, Bendigo	14.6.29	14 (c)
O'Leary, Eileen	5069	District Hospital, Bairnsdale	27.11.31	15 (1) (c)
Oliver (née Ward), Marjorie Elvina	6866	42 Haversham-road, Canterbury	14.4.39	16 (1)
O'Malley, Margaret Aloysius	6151	24 Mitford-street, Elwood	21.8.36	15 (1) (c)
Orle, Susie Robecca	6407	1801 Malvern-road, Glen Iris	6.8.37	15 (1) (c)
Ostlund, Anne Lucy Irene	8206	Ford-street, Beechworth	5.11.43	15 (1) (c)
Palmer, Emily	4741	40 Ewart-street, Malvern	27.6.30	15 (1) (c)
Parkinson, Joan	8120	B.N. Hospital, Skipton	2.7.43	15 (1) (c)
Pardew, Inez Jessie	8100	Box 138, Orbost	4.6.43	16 (1)
Parfroy (née Henry) Ethel	4977	10 Joy-street, Morwell	26.6.31	15 (1) (c)
Park, Maysie Elizabeth	2355	6 South-avenue, Moorabbin	3.3.19	14 (c)
Parsons, Marion Iris	8128	Port Fairy Hospital	2.7.43	16 (1)
Paterson (née Franca) Phyllis Louisa ..	8200	Flat 3, 15 Tennyson-street, Elwood	5.11.43	15 (1) (c)
Peck, Eleanor Mary	6517	11 Warwick-avenue, Surrey Hills	13.12.37	15 (1) (c)
Peck (née Kennedy), Sarah Eleanor	4678	Nelson-street, Nhill	14.3.30	15 (1) (c)
Peel, Dulcie Fleming	8804	Australian Inland Mission, Hospital, Halls Creek, Northern Territory	9.11.45	15 (1) (c)
Perryman, Dorothy	7009	Base Hospital, Mildura	4.9.42	16 (1)
Peters, Hilda	3655	Kooringa, Hamilton-road, Malvern	6.11.25	14 (c)
Petzman (née Hancock), Veronica Mary ..	5822	3 Kenilworth-parade, Ivanhoe	29.3.35	15 (1) (c)
Phillips, Bonnie Kathleen	8684	14 St. Andrews-street, Middle Brighton ..	8.6.45	15 (1) (c)
Phillips, Ninon Rosa	8578	49 Boulevard, Hawthorn	9.2.45	15 (1) (c)
Pickering, Margaret Mary	8143	Private Bag, Swan Hill	6.8.43	15 (1) (c)
Pike, Delves Evelyn Mary	8299	Private Mail Bag, St. Mary's, Tasmania ..	11.2.44	15 (1) (c)
Pilkington, Isabel Mary	8300	Sandy Point, South Gippsland	11.2.44	15 (1) (c)
Poole, Florence Nightingale	5750	Austin Hospital, Heidelberg	3.12.34	15 (1) (c)
Froston, Alice Edith	3146	3 Alfred-street, Kew	6.7.23	14 (c)
Primmer, Ida May	5863	64 Eglinton-street, Kew	26.4.35	15 (1) (c)
Purdy, Jean Irving	5148	35 Glassford-street, Armadale	8.4.32	15 (1) (c)
Rao (née Hoffman), Eliza Susannah	2985	c/o Smith Bros., Box 4, Bairnsdale	22.9.22	14 (c)
Ramsay, Lesley Noroan	8580	2 Arthur-street, Caulfield	9.2.45	15 (1) (c)
Ramsey (née Boase), Blanche Olive	4089	Bothany Babies Home, Ballarat-road, Geelong	4.11.27	14 (c)
Randall, Evelyn Louisa	6081	48 Koornang-road, Carnegie	1.5.36	15 (1) (c)
Rankine, Victoria Maude	5405	Women's Hospital, Carlton	31.3.33	15 (1) (c)
Rayner, Florence Isobel	8645	36 Milton-street, Ascot Vale	13.4.45	15 (1) (c)
Reid, Christina	8157	Colac Hospital	6.8.43	16 (1)
Reynolds (née Carroll), Lynda Veronica ..	5127	442 Punt-road, South Yarra	8.4.32	15 (1) (c)
Richardson, Margaret Theresa	8331	Harper-avenue, Beechworth	3.3.44	15 (1) (c)
Richardson, Nellie Maude	5888	36 Marnie-avenue, East Malvern	28.6.35	15 (1) (c)
Ring, Phyllis Mary	8234	2 Mutimer-street, Preston	17.12.43	15 (1) (c)
Robertson, Alice Johan	6153	5 Cintra-avenue, St. Kilda	21.8.36	15 (1) (c)
Rodda, Queenie Lilian	4069	8 Coppins-grove, Hawthorn	6.9.27	14 (c)
Roddis, Alfreda Capoll	6980	2 Altona-street, Kensington	1.9.39	15 (1) (c)
Rodger (née Favaloro), Jean Florence Maria	6693	B.N. Hospital, Bright	7.10.38	15 (1) (c)

CHANGE OF ADDRESS DURING 1946—continued.

Name.	Registration No.	Address.	Date of Registration.	Section of Act under which Registration was effected.
Roeszler, Rosa Victoria May	6458	22 Surrey-street, Box Hill	1.10.37	15 (1) (c)
Roffey (née Uren), Elsa Helen	6052	Norlane P.O., Melbourne-road, Geelong	20.3.36	15 (1) (c)
Rooney, Mary Catherine	6154	White Rock, Dennington	21.8.36	15 (1) (c)
Rosan (née Pitty), Nollie Lois	6952	109 Hope-street, Geelong West	4.8.39	15 (1) (c)
Rossiter, Alison Biram	6415	67 Victoria-street, Ballarat East	6.8.37	15 (1) (c)
Rossiter (formely Hyde), Mrs. Ruby Florence Hart	4136	"Upwey Lodge," Mast Gully-road, Upwey	13.1.28	14 (c)
Rowe, Myrtle	4334	22 Milan-street, Mentone	12.10.28	14 (a)
Rundell, Gladys Mary Dyer	7881	Flat 4, 125 Osborne-street, South Yarra	7.8.42	15 (1) (c)
Russell, Violet Ellen	2849	101 Grattan-street, Carlton	2.12.21	14 (c)
Saunders, Isabelle	3897	Maretno, Portland	14.1.27	14 (c)
Scholes, Nancy Emma	7672	43 Main-street, Stawell	19.12.41	15 (1) (c)
Scott, Jossie Isabel	3729	Bacolus Marsh	12.3.26	14 (c)
Scott, Marjorie Allan	8054	60 Jackson-street, Long Gully, Bendigo	2.4.43	15 (1) (c)
Sedgman, Lois May	8016	27 Doncaster-road, Box Hill	5.3.43	15 (1) (c)
Self, Alice Emma	8332	Box 157, P.O., Swan Hill	3.3.44	15 (1) (c)
Shannon, Beryl Ena	8080	24 Hopetoun-grove, Ivanhoe	7.5.43	15 (1) (c)
Shaw, Edith Lydia	3535	Alfred Hospital, Prahran	8.5.25	14 (c)
Shaw, Ethel Hope	7481	22 Hawker-avenue, East Preston	2.5.41	15 (1) (c)
Shaw, Mary Pearson	5181	115 Royal-parade, Parkville	27.5.32	15 (1) (c)
Sheppard, Pearl	5117	Bethesda Hospital, Erin-street, Richmond	26.2.32	15 (1) (c)
Sherwill, Evelyn Maud	7740	5 Taylor-avenue, Reservoir	27.3.42	15 (1) (c)
Sibley (née Sinclair), Helen Marion	3492	57 Stephen-street, Yarraville	6.3.25	14 (c)
Simpson, Jean Isabella Flora	3621	187 High-street, St. Kilda	4.9.25	14 (c)
Simpson, (née Ridge), Olive Alison	8053	P.O., North Portland	2.4.43	15 (1) (c)
Slate (née Ward) Lily Christina	8328	24 Auburn-grove, Auburn	11.2.44	16 (1)
Smith, Joyce Marie	8333	22 Stone-street, Hillside-crescent, Launceston	3.3.44	15 (1) (c)
Smith (née Collie), Sydney Jane	6629	Private Hospital, Bunyip	5.8.38	15 (1) (c)
Staer, Elizabeth Lansell	8122	c/o Mrs. Williams, 30 Twini-street, Wickham-terrace Queensland	2.7.43	15 (1) (c)
Stafford, Hilda Theresa	3368	4 St. Annes, 14 Queen-street, Mosman, N.S.W.	8.8.24	14 (c)
Stevens (née Giles), Lavinia Ellen	7643	c/o P.O., Ringwood	19.12.41	15 (1) (c)
Stephenson, Isabel Mary	7151	65 Albion-street, East Brunswick	19.4.40	15 (1) (c)
Stewart, Clara	2764	Jossie McPherson's Hospital, William-street, Melbourne	6.5.21	14 (c)
Stewart, Florence Grace	3985	Infant Welfare Centre, McKinnon	6.5.27	14 (c)
Stockton, Coral Hazel	6583	213 Buckley-street, West Footscray	8.4.38	15 (1) (c)
Stone, Janet Laura	7482	c/o Married Quarters, R.A.A.F., Allonville, via Wagga, New South Wales	2.5.41	15 (1) (c)
Sullivan, Edith Gould	8785	c/o Austin Hospital, Heidelberg	12.10.45	15 (1) (c)
Summers, Vera Isabel	6858	12 Deacon-street, Upper Burnie, Tasmania	14.4.39	15 (1) (c)
Surridge (née Hanco), Thelma Florence	4307	80 Jamieson-street, Warrnambool	14.9.28	14 (c)
Sutherland, Doris Mary	3947	250 Portrush-road, Glen Ormond	11.3.27	14 (c)
Swanton, Ruth	6349	V.B.H.C.A., Swanston-street, Carlton	7.5.37	15 (1) (c)
Swingler (née Fields), Agnes Young	5030	Infant Welfare Centre, Port Fairy	25.9.31	15 (1) (c)
Tetley (née Eastwood), Valerie Cecily Florence	5169	Queen-street, Caloundra, Queensland	27.5.32	15 (1) (c)
Thomas, Jessie Mabel	3185	263 Dandenong-road, Windsor	7.9.23	14 (c)
Thompson (née King), Anne Veronica	5287	11 Richardson-street, Oakleigh	25.11.32	15 (1) (c)
Thompson, Edna Margaret	7412	37 Fletcher-street, Essendon	14.2.41	16 (1)
Thorpe (née Anderson), Violet	4378	P.O., Maffra West Upper	25.1.29	14 (c)
Toomoy, Margaret Mary	5325	94 Victoria-avenue, Albert Park	16.12.32	15 (1) (c)
Topp, Elsie Marie	3858	Flat 1, 278 Punt-road, South Yarra	12.11.26	14 (c)
Townsend, Winifred Ruby	3859	Women's Hospital, Carlton	12.11.26	14 (c)
Towler, Vera Watkin	3227	15 Belmont-avenue, Kew	7.12.23	14 (c)
Trebilcock, Grace Darling	5624	40 Main-street, Ulverstone, Tasmania	12.2.34	16 (1)
Trembath, Margaret Lillian	8875	9 Hope-street, Bendigo	15.2.46	15 (1) (c)
Trenerry (née Weeks), Mabel Adoline	5751	Riversdale, Alexandra	3.12.34	15 (1) (c)
Triplett (née Adams), Grace	6465	Kennervell-street, White Hills, Bendigo	24.11.37	15 (1) (c)
Tulloch, Beryl Gwendoline	8020	Box 163, Red Cliffs	5.3.43	16 (1)
Twomey (née Butcher), Patricia Hendy	7291	c/o J. Simson, Ardmona	13.3.37	15 (1) (c)
Vanderfeen, Patricia	8969	89 Mollison-street, Bendigo	10.5.46	15 (1) (c)
Vincent, Isabel	497	12 Allen-street, Oakleigh	19.10.16	14 (a)
Vincent, Phyllis Louisa Jean	8315	Kurrama, Bendigo	11.2.44	15 (1) (c)
Vizard, Audrey Violet	5847	29 Grant-street, East Brunswick	29.3.35	16 (1)
Wade (née Opie), Elsie Fraser	5054	B.N.H., Murchison	30.10.31	15 (1) (c)
Wainwright (née Birrell), Myrtle Evelyn	8434	Barwon Hills, Winchelsea	4.8.44	15 (1) (c)
Wait, Alice Emily	2857	1 Redford-street, Warrnambool	2.12.21	14 (c)
Walkden, Amy Frances	946	16 Yongala-street, Balwyn	16.3.17	14 (a)
Walker (née Herbert), Mathilde Caroline	1635	73 Francis-street, Belmont	26.11.17	14 (a)
Wall, Catherine Patricia	7100	67 Bangan-street, Warrnambool	9.2.40	15 (1) (c)
Wallis, Frances Mary	5478	B.N. Hospital, Chelsea	28.7.33	15 (1) (c)
Walsh, Joan Phyliss	7358	47a The Esplanade, Elwood	13.12.40	15 (1) (c)
Walsh, Mario Veronica	8722	c/o 452 Lonsdale-street, Melbourne	13.7.45	15 (1) (c)
Watson, Helen	2394	31 Langham-street, Dandenong	2.6.19	14 (c)
Watson, Mary	8318	13 Beach-parade, Geelong	11.2.44	15 (1) (c)
Wattie, Claire E	4527	8 Bailoy-avenue, Armadale	5.7.29	14 (c)
Wobor, Irene Pearl	4702	8 Fitzgerald-street, Balwyn	2.5.30	16 (1)
Weight, Aileen Josephine	4778	Flat 12, 1203 Hoddle-street, East Melbourne	29.8.30	15 (1) (c)
Weinberg, Mavis Emma	6493	Bungower Park Morrodoc, via Frankston	24.11.37	15 (1) (c)
Weir, Cathrine	6860	1 Molesworth-street, Kew	14.4.39	15 (1) (c)
Weir, Ethel	3232	B.N. Hospital, Broadford	7.12.23	14 (c)
Welch, Nancy Lorraine	8152	Lascelles	6.8.43	15 (1) (c)
Weston, Eva	3688	221 Moore-street, Fitzroy	15.1.26	14 (c)
White (née Reid), Dorothy Margaret	6271	The Manse, Yallourn	5.2.37	15 (1) (c)
Whitling, Kathleen Margaret	9064	11 Sandler-crescent, Petersham, Sydney, New South Wales	9.8.46	15 (1) (c)

CHANGE OF ADDRESS DURING 1946—continued.

Name.	Registration No.	Address.	Date of Registration.	Section of Act under which Registration was effected.
Whiteside, Pearl Bertha	8320	V.B.H.C.A., 730 Swanston-street, Carlton ..	11.2.44	15 (1) (c)
Wilkinson, Paula Jean	7486	District Hospital, Kiama	2.5.41	15 (1) (c)
Wilksch, Frieda Louisa	6423	Mentone Boys' Grammar School	6.8.37	15 (1) (c)
Willott, Edna Jane	4750	Infant Welfare Centre, High-street, Wodonga ..	27.6.30	15 (1) (c)
Williamson, Annie Stuart	4287	37 Charles-street, Kew	6.7.28	14 (c)
Willing, Elva Mary	4817	Smedley-road, North Ringwood	26.9.30	15 (1) (c)
Wilson, Ellen	1922	4 Drysdale-street, Malvern	15.4.18	14 (b) (2)
Wilson, Helen	5838	3 Allfrey-street, East Brighton	29.3.35	15 (1) (c)
Wilson (Mrs.), Margaret Alberta ..	5753	12 Leamington-crescent, Carnegie	3.12.34	15 (1) (c)
Wilson, Mary McLennan	6283	26 Claremont-avenue, Malvern	5.2.37	15 (1) (c)
Wilson, Rose Catherine	5925	17 Wallace-street, Morwell	26.7.35	15 (1) (c)
Wood, Athola Yvonne	7245	Box 32, Bunbury, Western Australia	2.8.40	15 (1) (c)
Wood, Edith Theresa	4606	1 Wanda-road, Caulfield	29.11.29	15 (1)
Wood, Jessie Isabella	8188	Balingup, Western Australia	1.10.43	15 (1) (c)
Worhey, Doris Elizabeth	4528	1 Loch-street, Camborwell	5.7.29	14 (c)
Worsley, Hanora	3048	48 Asling-street, Preston	1.12.22	14 (c)
Worth, Winifred Olive	8127	Roseberry, West Coast, Tasmania	2.7.43	15 (1) (c)
Worthington, Dorothy Ellen	8787	Nambrok P.O., via Rosedale	12.10.45	15 (1) (c)
Wylie, Minnie Lilian May	7791	98 Railway-place, Williamstown	1.5.42	15 (1) (c)
Wylie, Muriel Lorraine	4948	98 Railway-place, Williamstown	24.4.31	15 (1) (c)
Young (née Gunn), Iris	6681	Woods Point, Victoria	2.9.38	15 (1) (c)
Young (née Stone), Marion	5299	135 Victoria-street, Warragul	25.11.32	15 (1) (c)
Zanker, Gertrude Augusta	6522	Church-street, Stanhope	13.12.37	15 (1) (c)

REMOVALS, 1946.

Name.	Registration No.	Address.	Date of Registration.	Section of Act under which Registration was effected.
Allan (née Hender), Pambra Burton ..	5826	"Airdrie", Spring Mount, via Creswick ..	29.3.35	15 (1) (c)
Allbutt, Brenda Lily	7063	Brown-street, Portarlington	9.2.40	15 (1) (c)
Allon, Janet Hilda	6239	234 Barkley-avenue, Burnley	5.2.37	15 (1) (c)
Allitt, Heather	8194	"Camperdown", Deniliquin	5.11.43	15 (1) (c)
Amor, Laura	6120	Barham, New South Wales	21.8.36	15 (1) (c)
Anderson, Aoritta Mavis	8063	Stanley-terrace, Wynnum, Central Queensland ..	7.5.43	15 (1) (c)
Anderson, Ida Muriel	7431	97 South-road, Brighton Beach	4.4.41	15 (1) (c)
Artis, Dixie Josephine	8726	115 Military Hospital, Heidelberg	10.8.45	15 (1) (c)
Baillie (née Higgins), Beryl Athoran ..	7416	87 Myrtle-street, Bendigo	14.3.41	15 (1) (c)
Baker (née Richardson), Edna Elma ..	7144	13 Vancluse-street, North Brighton	19.4.40	15 (1) (c)
Baker, Helen Shirley	7468	97 Mathoura-road, Toorak	2.5.41	15 (1) (c)
Bald, Joan Finlayson	5588	53 Davis-street, Kew	12.2.34	15 (1) (c)
Banner, Daisy Margaret	8399	139 Castlereagh-street, Sydney	7.7.44	15 (1) (c)
Barnden, Ethel May	3237	25 Gamon-street, Seddon	7.12.23	14 (b)
Bartholomew, Gwendoline Edmiston ..	5740	5 Deepdono-road, Deepdono	3.12.34	15 (1) (c)
Barwell, Hazel Joyce	8367	Block 501, Red Cliffs	31.3.44	15 (1) (c)
Batten, Grace Evelyn	8689	25 Sydney-street, Sunshine	13.7.45	15 (1) (c)
Bazeley, Mina Frances	6673	5 Wallen-road, Hawthorn	2.9.38	15 (1) (c)
Becker, Elizabeth Catherine	1180	23 Park-street, Middle Park	8.6.17	14 (a)
Beech, Phyllis Elizabeth	8501	29A Eighth-avenue, St. Peters, South Australia ..	3.11.44	15 (1) (c)
Berger, Alice Catherine	7213	19 Napier-street, Maryborough	2.8.40	15 (1) (c)
Berry, Celia Adelaide	8690	Truro, South Australia	13.7.45	15 (1) (c)
Berryman, Gladys Rose	7753	"Garris Grange", Thyra-road, Tataila, via Moama, New South Wales	1.5.42	15 (1) (c)
Bortram, Joan, Margaret	7376	213 Rathmines-road, Hawthorn East	14.2.41	15 (1) (c)
Bertrand (née Smith), Catherine ..	8250	15 Glenhuntly-road, Elsternwick	11.2.44	15 (1) (c)
Bertuch, Bertha May	8691	Community Hospital, Castlemaine	13.7.45	15 (1) (c)
Blair, Evelyn Emma	7026	85 Macalister-street, Sale	8.12.39	15 (1) (c)
Bodinnar (née Solomon), Margaret Irene ..	3445	Balranald, N.S.W.	5.12.24	14 (c)
Bothroyd (née Banfield), Nancy Margaret ..	4085	195 Deakin-avenue, Mildura	4.11.27	14 (c)
Bowman, Joyce Devlin	7251	38 Torrell-street, East Malvern	13.9.40	15 (1) (c)
Boyd (Mrs.), Rebecca Jane	807	38 Bolgrave-street, Coburg	15.2.17	14 (b)
Brooks, Gwendolyn Hazel	4295	16 Ramsay-avenue, Kew	14.9.28	14 (c)
Brosnan, Catherine	8727	Mercy Hospital, Grey-street, East Melbourne ..	10.8.45	15 (1) (c)
Bruns, Dorothy May	8729	Base Hospital, Bendigo	10.8.45	15 (1) (c)
Bryant, Edna Dulcie	8324	48 Webster-street, Ballarat	11.2.44	16 (1)
Buckler, Pearl Monica	8545	St. Vincent's Hospital, Fitzroy	9.2.45	15 (1) (c)
Buckley, Mary Edith	2823	7 Canterbury-road, Camberwell	2.12.21	14 (c)
Burke (née Cooper), Elvie Elizabeth ..	5841	38 Hannan-street, Williamstown	29.3.35	16 (1)
Caldecoat, Vera Isabel	7572	602 Havlock-street, Ballarat	5.9.41	15 (1) (c)
Cameron, Kathleen May	7854	Austin Hospital, Heidelberg	7.8.42	15 (1) (c)
Canning, Barbara Scott	8092	Lilydale Bush Nursing Hospital, Lilydale ..	4.6.43	15 (1) (c)
Carberry (Mrs.), Alice Isabel	5065	6 Isabella-grove, Hawthorn	27.11.31	15 (1) (c)
Carlton, Laurel Jean	8438	13 Dickson-street, Sunshine	4.8.44	15 (1) (c)
Carter, Ethel	7822	Ballarat-road, Clunes	3.7.42	15 (1) (c)
Carter, Gladys	8655	St. George's Hospital, Cotham-road, Kew ..	11.5.45	15 (1) (c)
Catling, Margaret Alice	8370	Myrtle-street, Bendigo	28.4.44	15 (1) (c)
Chalmers, Catherine Margaret	5810	"Yarrowee", Forntree Gully	29.3.35	15 (1) (c)
Chalmers, Doris Isabel	8339	"Acacia", Mysia	31.3.44	15 (1) (c)
Chambers, Frances Ellen	2776	17 Barkly-street, Benalla	5.8.21	14 (a)
Charles, Adeline Elizabeth	8547	189 Upper Heidelberg-road, Heidelberg ..	9.2.45	15 (1) (c)
Cheffers, Rita May	7119	22 Arawatta-street, Carnegie	19.4.40	15 (1) (c)

REMOVALS, 1946—continued.

Name.	Registration No.	Address.	Date of Registration.	Section of Act under which Registration was effected.
Chesterman, Edna Florence	5128	c/o Mrs. R. Whetstone, Flat 4, Yardell Hall, Farrell-avenue, King's Cross, Sydney, New South Wales	8.4.32	15 (1) (c)
Claridge (née Cranage), Carmen Patricia .. .	6611	Ararat	3.6.38	15 (1) (c)
Clarke, Ada Frances	4940	9 Glencoe-street, Caulfield	24.4.31	15 (1) (c)
Clarke, Nancy Elizabeth	6099	262 Hutt-street, Adelaide	5.6.36	15 (1) (c)
Cookshell, Elsie May	8731	Base Hospital, Mildura	10.8.45	15 (1) (c)
Cody, Mary Agnes	7857	Colac	7.8.42	15 (1) (c)
Coffey, Catherine	2599	17 Buxton-street, Flemington	4.10.20	14 (a)
Coleman, Grota Gladstone	8525	Ward 6A, 106 A.G.H., Bonogilla	3.11.44	16 (1)
Collidge (née Baylis), Grace Mary	8767	92 Victoria-parade, East Melbourne	12.10.45	15 (1) (c)
Collins, Georgina	2647	30 The Avenue, Windsor	6.12.20	14 (a)
Commons, Margaret	5814	59 Burko-street, Maryborough	29.3.35	15 (1) (c)
Connors, Edith Agnes	3460	378 Church-street, Richmond	6.3.25	14 (c)
Conradi (née Humphreys), Olwen	3716	17 Redcourt-avenue, Armadale	12.3.26	14 (c)
Cook (née Collins), Nancy	8221	2 Stawell-street, Armadale	17.12.43	15 (1) (c)
Cottrell, Louisa Millicent	6920	"Fairview", Urana, New South Wales	4.8.39	15 (1) (c)
Cowie, Jean Mildred	7315	44 Moor-street, Traralgon	13.12.40	15 (1) (c)
Crane (née O'Meagher), Gweneth Fitz-Gerald .. .	6950	12 Sparks-avenue, Fairfield	4.8.39	15 (1) (c)
Crawford, Jean Elizabeth	6868	c/o Mr. J. Crawford, 6 Evelyn-street, Preston .. .	5.5.39	15 (1) (c)
Crouch (née Faulkner), Jean	8132	Long-street, Mentone	6.8.43	15 (1) (c)
Crump, Violet Mary	7282	"Hazelwood", Mathoura, New South Wales .. .	13.9.40	15 (1) (c)
Culton, Charlotte	4091	Chalmers Hall, Parliament-place, East Melbourne ..	4.11.27	14 (c)
Cunningham, Phebe	4645	21 Latrobe-street, Geelong West	31.1.30	15 (1) (c)
Cuthbert, Margaret Blyth	6381	19 The Avenue, East Malvern	6.8.37	15 (1) (c)
Dakers, Regina Phyllis	7696	30 William-street, North Brighton	6.2.42	15 (1) (c)
D'Alton, Helen	6968	St. Andrew's Hospital, East Melbourne	1.9.39	15 (1) (c)
Darke, Joan Elizabeth	8223	Margaret Coles Maternity Wing, Alfred Hospital, Prahran	17.12.43	15 (1) (c)
Davidson, Mary Helen	2662	"Londa", St. George's-road, Elsternwick	17.1.21	14 (b)
Davies, Gwendolyn Alice Joyce	8473	District Hospital, Colac	6.10.44	15 (1) (c)
Davies, Mabel Betty	7221	60 Burke-road, East Malvern	2.8.40	15 (1) (c)
Davis (née Robinson), Joan Hyde	7610	43 Gummow-street, Swan Hill	14.11.41	15 (1) (c)
Dawson, Elizabeth Lily	842	Wimble-street, Seymour	1.3.17	14 (b)
de Groot, Peggy Rose	8619	"Hughendon", Thornton	13.4.45	15 (1) (c)
Dennis, Grace Irene	3594	68 Orrong-crescent, North Caulfield	4.9.25	14 (c)
Devine, Evelyn Ann	5899	"Carmel", Tongala	26.7.35	15 (1) (c)
Dingle-Mitchell, Marie Margaret Veronica	7222	17 Virginia-street, Newtown, Geelong	2.8.40	15 (1) (c)
Dixon, Alice	5852	District Hospital, Dunolly	26.4.35	15 (1) (c)
Doig, Olive Mary	3429	452 Lonsdale-street, Melbourne	5.12.24	14 (c)
Donnan, Myrtle Irene	8104	Wandene Private Hospital, Werribee	2.7.43	15 (1) (c)
Douch, Sheila Strachan	6127	14 Warra-street, Toorak	21.8.36	15 (1) (c)
Douglas, Jean Isabel	7295	Base Hospital, Ballarat	1.11.40	15 (1) (c)
Downe, Marjorie Florence	6247	1101 Malvern-road, Toorak	5.2.37	15 (1) (c)
Duncanson, Nellie Catherine	5817	c/o 33 Mackay-street, Seddon	29.3.35	15 (1) (c)
Dunster, Ruth Ruby	6500	"Bank View", Glenhompson	13.12.37	15 (1) (c)
Dykes, Marie Patricia	7190	Bambala-street, Cooma, New South Wales	7.6.40	16 (1)
Edge, Edna Jane	5385	Euroa	31.3.33	15 (1) (c)
Edwards, Lucy Hamnett	6501	Women's Hospital, Carlton	13.12.37	15 (1) (c)
Egan (née Beaven), Emily Vera	2695	21 Gellibrand-street, Williamstown	14.2.21	14 (c)
Elliott, Alice Kathleen	7824	Prince Henry's Hospital, Melbourne	3.7.42	15 (1) (c)
Ellis (née Lyons), Lily Victoria	2748	Ballarat-street, Talbot	6.5.21	14 (c)
Embling, Dorothy Mary Austin	8403	Miller-street, Yea	7.7.44	15 (1) (c)
Embling, Elizabeth Austin	7535	Miller-street, Yea	1.8.41	15 (1) (c)
Erwood, Kathleen Elizabeth	6036	7 Bell-Parade, Drumcondra, Geelong	20.3.36	15 (1) (c)
Esperson, Elizabeth Madeline	8015	708 Hampton-street, Brighton	5.3.43	15 (1) (c)
Evans, Doris Louisa	8031	505 St. Kilda-street, Elwood	2.4.43	15 (1) (c)
Ewence, Noreen Kentish	8674	District Hospital, Wycheproof	8.6.45	15 (1) (c)
Fahle, Mary Dorothy	6835	66 Now-street, Brighton Beach	14.4.39	15 (1) (c)
Faulkner, Gertrude Ivy	7970	Camp Hospital, Portsea	5.2.43	15 (1) (c)
Faulkner, Helen Linda	7322	49 Cunninghame-street, Sale	13.12.40	15 (1) (c)
Fielding, Irene Marjorie	8086	Lindisfarne-road, Bellerive, Tasmania	7.5.43	16 (1)
Firmin, Ellen Catherine	4910	Yinnar, Gippsland	27.3.31	15 (1) (c)
Fiven (née Pickering), Marjorie Rosina	6116	"Gumvue," Main-road, Upwey	10.7.36	15 (1) (c)
Foley, (née Coleman), Blanche	6126	Post Office, Kerang	21.8.26	15 (1) (c)
Foley, Margaret Elsie	7297	339 Reynolds-road, Pascoe Vale South	1.11.40	15 (1) (c)
Foote (née Bennett), Frances Mary	3962	22 Wandsworth-road, Surrey Hills	6.5.27	14 (c)
Ford, Alma Elizabeth	7700	Base Hospital, Wangaratta	6.2.41	15 (1) (c)
Fotheringham, Mary Shanks	7179	27 Hilder-street, Warrnambool	7.6.40	15 (1) (c)
Fowles, Winifred Ellen	5961	30 Erin-street, Richmond	25.10.35	15 (1) (c)
Francis, Patricia Brenda Constance	8698	Forster, River Murray, South Australia	13.7.45	15 (1) (c)
Fry, Doreen Effie	8441	"Murrawuk", Mount Mercer	4.8.44	15 (1) (c)
Fulton, Ella Mary	6212	Stanhope	11.12.36	15 (1) (c)
Futcher (née Strode), Adoline Elizabeth	4946	24 Nelson-street, South Melbourne	24.4.31	15 (1) (c)
Furze, Jinnie	3878	Wattle Park, Mildura	14.1.27	14 (c)
Gallacher (née Moon), Olive Bertha	4360	21 Beaver-street, East Malvern	2.11.28	14 (c)
Gamble, Laura Louisa	7806	St. Andrew's Presbyterian Hospital, East Melbourne ..	4.9.42	16 (1)
Gardner, Kathleen Carew	7325	29 Park-road, Maryborough	13.12.40	15 (1) (c)
Gardoll, Hazel	5905	12 Clifton-street, Prahran	26.7.35	15 (1) (c)
Garlick, Doris Ivy	8753	5 Clarke-street, Gardiner	7.9.45	15 (1) (c)
Gay, Joyce Mary	8509	17 Hawthorn-avenue, Caulfield	3.11.44	15 (1) (c)
Geisler, Patricia Josephine	8540	26 Curtis-street, Williamstown	15.12.44	16 (1)
Gell, Adelaide Martha	1142	36 Durham-road, Surrey Hills	25.5.17	14 (b)
Geue, Malva Unice	8754	Mercy Hospital, Grey-street, East Melbourne	7.9.45	15 (1) (c)
Gibson, Eva Lilian	8510	167 Anderson-street, Yarraville	3.11.44	15 (1) (c)
Gibson, Joan Grace	7032	Bridgewater-on-Loddon	8.12.39	15 (1) (c)
Gill, Ethel Elizabeth May	2628	"Stradbroke" Private Hospital, Leongatha	1.11.20	14 (c)
Gleeson, Kathleen Monica	4911	476 Kooyong-road, Caulfield	27.3.31	15 (1) (c)

REMOVALS, 1946—continued.

Name.	Registration No.	Address.	Date of Registration.	Section of Act under which Registration was effected.
Golomb (née Moore), Joyce Leona	7552	Whitehorse-road, Ringwood	1.8.41	15 (1) (c)
Goodfellow, Ellice Muriel	7536	"Fornoy", Blenheim-avenue, Rooty Hill, New South Wales	1.8.41	15 (1) (c)
Gore, Joan Kathleen	6556	63 East-crescent, McMahon's Point, New South Wales	17.3.38	15 (1) (c)
Goudie, Elizabeth Ann	5599	Chesney Vale, via Goorambat	12.2.34	15 (1) (c)
Goulden, Ethel Frances	6929	12 Learmonth-street, Hamilton	4.8.39	15 (1) (c)
Gowenlock (née Trickey), Linda	4196	"Padua" Private Hospital, Montclair-avenue, North Brighton	2.3.28	14 (c)
Graham (née Turvey), Edith Agnes	3690	25 Gardinia-street, Blackburn	5.2.26	14 (a)
Gray, Lillian Jane	387	Glen Park, Gooloogong, New South Wales	5.10.16	14 (b)
Griffiths, Nona May	3162	Duncan-street, Murtos	7.9.23	14 (c)
Haebich, Eva Frances	8071	1 Cleve-street, McKinnon	7.5.43	15 (1) (c)
Hair, Doris May	7578	24 Dimboola-road, Horsham	5.9.41	15 (1) (o)
Hallows, Sylvia Frances	5906	50 Hawthorn-road, Brighton East	26.7.35	15 (1) (c)
Hammer, Lillias Isabel	7722	30 Erin-street, Richmond	6.3.42	15 (1) (c)
Hammill, Alice Margaret	5821	Wolsley-street, Orbest	29.3.35	15 (1) (c)
Hammill, Githa Kathleen	7689	Hackham, South Australia	19.12.41	16 (1)
Hancock, Mildred Florence	5975	Waverley, Waitchie	29.11.35	15 (1) (c)
Hansen (née McCoy), Mildred Isabel	8443	24 Balaclava-street, Ballarat	4.8.44	15 (1) (c)
Harding (née Wines), Beatrice Mary	7103	333 Timor-street, Warrnambool	9.2.40	15 (1) (c)
Harding, Catherine Florence	7646	West Gippsland Hospital, Warragul	19.12.41	15 (1) (c)
Harmer, Mabel Ross	7196	178 East Terrace, Adelaide	12.7.40	15 (1) (c)
Harper, Gertrude Agnes	7181	"Pranjip Park", Murchison East	7.6.40	15 (1) (c)
Hatcher, Dorothy Alma	8755	Avondale, Goyura	7.9.45	15 (1) (c)
Hateley, Madge	6044	Base Hospital, Horsham	20.3.36	15 (1) (c)
Hausser (née Stubbings), Ellen	4482	Red Cliffs	19.4.29	15 (1) (c)
Heenan (née Nixon), Mary	7397	Borivillock, Victoria	14.2.41	15 (1) (c)
Helms, Leslie Margaret	7441	1 York-street, Glenferrie	4.4.41	15 (1) (c)
Hemphill, Zillah May	8036	Princess Mary Club, 118 Lonsdale-street, Melbourne	2.4.43	15 (1) (c)
Henderson, Nancy Kathleen	8735	49 Fitzroy-street, East Geelong	10.8.45	15 (1) (c)
Hendra, Grace Lettie May	7328	Palm-grove, Foster	13.12.40	15 (1) (c)
Herridge (née Hennigan), Mary	7579	Oak-street, Seymour	5.9.41	15 (1) (c)
Heslop (née Cooper), Evelyn Mary	6831	59 Queen's-parade, Clifton Hill	14.4.39	15 (1) (c)
Hess (née Wall), Dorothy Violet	3287	6 Gordon-street, Coburg	14.3.24	14 (c)
Hicks (née Clarke), Doris Maude	5930	Ballarat-road, Ballan	30.8.35	15 (1) (c)
Hind, Clarice Elizabeth	6509	20 Albion-road, Glen Iris	13.12.37	15 (1) (c)
Hinds, Jean	6902	223 Mill-street, Ballarat	19.7.39	15 (1) (c)
Hitchcock, Grace Le Lieve de Putron	5139	Ceduna, South Australia	8.4.32	15 (1) (c)
Hogan, Josephine Mary	5646	200 Clarendon-street, East Melbourne	27.4.34	15 (1) (c)
Hollinger, Bertha	3386	Bush Nursing Hospital, Lismore	12.9.24	14 (c)
Hollins, Lillian Ada	5604	Infant Welfare Centre, Tatura	12.2.34	15 (1) (c)
Hollow, Faith	7034	19 Wollington-street, Middle Brighton	8.12.39	15 (1) (c)
Holmes, Greslie Elizabeth	7541	15 Florence-avenue, Kew	1.8.41	15 (1) (c)
Hood, Marjorie Rita	4798	16 Balmoral-crescent, Surrey Hills	26.9.30	15 (1) (c)
Hookey, Elinor Florence	7704	Taradale, Victoria	6.2.42	15 (1) (c)
Horton, Elizabeth Mary	7649	6 Henderson-avenue, Malvern	19.12.41	15 (1) (c)
Houston, Elizabeth Joy	7768	3 Haverbrack-avenue, Malvern	1.5.42	15 (1) (c)
Hughes, Elizabeth	7650	Hospital, Skipton	19.12.41	15 (1) (c)
Hume, Carmel Joy	8275	23 Nelson-street, Sandringham	11.2.44	15 (1) (c)
Humphreys, Gladys Margaret	8565	1006 Macarthur-street, Ballarat	9.2.45	15 (1) (c)
Hutchinson, Doris Edna	6187	115 A.G.H., Heidelberg	20.11.36	15 (1) (c)
Ingram (formerly Paterson, née Fleming), Euphonia	5870	22 Bena-street, Yarraville	26.4.35	16 (1)
Irvine-Brown (née Flattley), Hester Mavis	6927	"Kaya Lauri", Merbein West	4.8.39	15 (1) (c)
Jackson, Elizabeth Anne	2111	c/o Mrs. J. E. Grant, Pier-street, Altona	9.9.18	14 (a)
James, Nosta Gwyneth	4760	Shepparton East	25.7.30	15 (1) (c)
Jay (née Oldmewad), Louise Mavis	8567	35 Robinson-street, Dandenong	9.2.45	15 (1) (c)
Jelloy, Fay Christine	6641	V.T.N. Club, 452 Lonsdale-street, Melbourne	5.8.38	15 (1) (c)
Johnson, Amy Isabel	8240	Wandono Private Hospital, Synott-street, Werribee	17.12.43	16 (1)
Johnson, Gwendolyn Emily	6594	243 New-street, Middle Brighton	6.5.38	15 (1) (c)
Johnson, Nona Gertrude	6642	5 McKillop-street, Geelong	5.8.38	15 (1) (c)
Johnson, Phyllis	6733	5 Alma-place, St. Kilda	5.12.38	15 (1) (c)
Jones, Clara Fisher	7293	82 Queen's-road, Melbourne	4.10.40	16 (1)
Jones, Soptima	5274	High-street, Kyneton	28.10.32	16 (1)
Joyce (née Curran), Mary Josephine	6568	Baluagowan, Colac	8.4.38	15 (1) (c)
Kearney, Eileen Dorothy	8279	Allan-street, Kyabram	11.2.44	15 (1) (c)
Keith, Heather Lillian	8601	Mt. Lonarch, via Amphitheatre	9.3.45	15 (1) (c)
Kellam, Elsie Isabell Emma	8076	57 Queen's-street, Regent	7.5.43	15 (1) (c)
Kelly, Helen Theresa	5674	Lancefield	22.6.34	15 (1) (c)
Kelly, Marion	1451	70 Queen-street, Ararat	11.9.17	14 (b)
Kemp, Jean Cathorino	7770	Repatriation Hospital, Kooyong-road, Caulfield	1.5.42	15 (1) (c)
Kennedy (née Woolmer), Valerie Clara	8189	10 Scott-street, Funchbowl, New South Wales	1.10.43	15 (1) (c)
Kennedy, Ruth Isabel	8227	720 Darling-street, Ballarat	17.12.43	15 (1) (c)
Kerr, Dorothy	8602	2 A.D.S., R.A.A.F., Mt. Gambier, South Australia	9.3.45	15 (1) (c)
Kerr, Vera Caroline	8820	26 Windsor-avenue, Spring Vale	14.12.45	15 (1) (c)
Keys, Boulah	8569	District Hospital, Omeo	9.2.45	15 (1) (c)
King, Gladys Thelma	8772	96 York-street, Richmond	12.10.45	15 (1) (c)
King, Phyllis Mary	8281	United Aborigines Mission, Finniss Springs, via Maroo, South Australia	11.2.44	15 (1) (c)
Kirwan, Edith Grace Doran	7547	10 Garden-street, Hampton	1.8.41	15 (1) (c)
Lacey, Dorothy Grace	7271	District Hospital, Warracknabeal	13.9.40	15 (1) (c)
Laity, Kate	3165	Army Nurses' Club, Anzac House, Collins-street, Melbourne	7.9.23	14 (c)
Lambell, Unes Florence	6453	4 Keats-street, Canterbury	1.10.37	15 (1) (c)
Lang, Ellen Bingham	7409	Hospital for Women and Children, East Gate, Madura, India	14.1.41	16 (1)

REMOVALS, 1946—continued.

Name.	Registration No.	Address.	Date of Registration.	Section of Act under which Registration was effected.
Lanham, Dorothy Ruth	8604	Bethesda Hospital, Erin-street, Richmond ..	9.3.45	15 (1) (c)
Lanyon, Ivy May	7499	"Cobham Hall, Charlton-road, St. Arnaud ..	13.6.41	15 (1) (c)
Larkin, Mary Joan	8460	6 Alfred-street, Caulfield	1.9.44	15 (1) (c)
Le Boeuf, Coral Gertrude Alice	5432	212 Beach-road, Black Rock	28.4.33	15 (1) (c)
Lee, Lucy Johanna	3606	82 Argyle-street, Moonee Ponds	4.9.25	14 (c)
Lee, Elinor Mary	8701	Bridgewater, South Australia	13.7.45	15 (1) (c)
Leonard, Sheila Alice	7079	221 Humfray-street, Ballarat	9.2.40	15 (1) (c)
Lowin, Melva Laura	7447	The Rectory, Maryborough	4.4.41	15 (1) (c)
Lightowler, Pearl Elizabeth	7418	128 Park-street, Abbotsford	14.3.41	15 (1) (c)
Lindsay, Margaret Isabel	5144	4 Otira-road, Caulfield	8.4.32	15 (1) (c)
Lindsay-Field (née Howard-Smith), Enid Margaret	5315	9 Tourelle-avenue, Upper Hawthorn	16.12.32	15 (1) (c)
Ling, Doris Blatchford	7490	66 Balham-avenue, Kingswood, South Australia ..	2.5.41	16 (1)
Livock (Mrs.), Elizabeth	664	Jackson-street, Casterton	8.12.16	14 (b)
Lloyd, Mary Leila	7582	11 Maritana-avenue, Regent	5.9.41	15 (1) (c)
Long, Sheila Mary	7337	61 Manningtree-road, Hawthorn	13.12.40	15 (1) (c)
Lorenz, Kathleen Teresa	6940	"Lenova", Stanhope	4.8.39	15 (1) (c)
Lowry, Mary Isobel	8039	Karramomus, via Arcadia	2.4.43	15 (1) (c)
Lynn, Margaret Temple	8802	36 Avondale-street, Hampton	9.11.45	15 (1) (c)
Mackrill, Kathleen Lois Road	7393	1087 Heidelberg-road, Ivanhoe	14.2.41	15 (1) (c)
Macpherson, Annie Isabel	3528	"Roosmor" Private Hospital, Carrier-street, Bonalla	8.5.25	14 (c)
Macpherson, Bertha Jean	4446	Disraeli-street, Kew	22.3.29	14 (c)
MacRae, Jean	5676	Jessie McPherson Hospital, Melbourne	22.6.34	15 (1) (c)
Maddor, Joyce Mena Ima	8634	57 Grange-road, Sandringham	13.4.45	15 (1) (c)
Maddy, Ida Lillian Marguerite	5275	Royal Melbourne Hospital, Parkville	28.10.32	16 (1)
Mahoney, Kathleen	4959	"Rongoa" Private Hospital, Warragul	29.5.31	15 (1) (c)
Malcolm, Mary Mercia	7394	78 Wattle-road, Hawthorn	14.2.41	15 (1) (c)
Manallack (Mrs.), Kate	931	110 Bridport-street, Albert Park	16.3.17	14 (b)
Manly, Elsie Elizabeth	4067	17 Scoresby-street, Hamilton	6.9.27	14 (c)
Mann, Stella I.	7477	88 Fairview-avenue, Newtown, Geelong	2.5.41	15 (1) (c)
Marden, Mary Elizabeth	6739	Heathmont Post Office	5.12.38	15 (1) (c)
Marendaz, Marian Jean	5633	79 Prospect-road, Newtown, Geelong	23.3.34	15 (1) (c)
Martin, Rose Olive	8635	12 Inkerman-street, St. Arnaud	13.4.45	15 (1) (c)
Masterman, Clarice Violet May	6138	191 Victoria-street, West Brunswick	21.8.36	15 (1) (c)
Mathers, Joyce Edna	8636	Cohuna	13.4.45	15 (1) (c)
Mathews, Vera May	5397	"Rosehill", Centre-road, Bentleigh	31.3.33	15 (1) (c)
Meek, Dulcie Edith	7943	McDonald-street, Murtoa	11.12.42	15 (1) (c)
Mellier, Linda Edna	7137	Mincha	19.4.40	15 (1) (c)
Menzies, Mona	8773	Box 31, Ariah Park, New South Wales	12.10.45	15 (1) (c)
Mercer, Mary	3410	1318 High-street, Malvern	10.10.24	14 (a)
Merowather, Constance Alice	6598	Dunkeld	6.5.38	15 (1) (c)
Mesley, Madge	6534	Leongatha	18.2.38	15 (1) (c)
Mickelberg, Olive Alvia	7551	Box 29, Quambatook	1.8.41	15 (1) (c)
Milne, Lillian Mavis	6535	26 Barwon-avenue, Chilwell, Geelong	18.2.38	15 (1) (c)
Mitchell, Helen Cecilia	8288	Seaview-crescent, Seaholme	11.2.44	15 (1) (c)
Moloney, Marjorie Jane	6028	26 Florezel-street, Burwood	14.2.36	15 (1) (c)
Montgomery, Madge	6944	31 Loch-street, North Kew	4.8.39	15 (1) (c)
Morahan, Beryl	8774	14 Jupiter-street, Carlisle, Western Australia ..	12.10.45	15 (1) (c)
Morck, Mary Peter	7619	Jessie McPherson Hospital, Melbourne	14.11.41	16 (1)
Morris, Agnes Bertha	3036	205 Grenville-street, Frahan	1.12.22	14 (c)
Morris, Dulcie Josephine	7930	34 Erin-street, Richmond	6.11.42	15 (1) (c)
Morrison, Mary	7168	Gregory-street, West Ballarat	3.5.40	15 (1) (c)
Mort, Hilda	527	219 Brighton-road, Elwood	26.10.16	14 (b)
Moss (née Lawrie), Edith Louisa	2452	30 Hazel-street, Camberwell	9.2.20	14 (c)
Moulton, Cecile Catherine	7109	c/o Port Phillip Club Hotel, Flinders-street, Melbourne	1.3.40	15 (1) (c)
Mounsey, Edna May	6871	Wandin	5.5.39	15 (1) (c)
Muhlhan, Patricia Marie	8739	Windsor-on-Torrens, Klemzig, South Australia ..	10.8.45	15 (1) (c)
Muldoon, Annie Susan	7285	452 Lonsdale-street, Melbourne	13.9.40	16 (1)
Murphy, Margaret	4400	110 Hotham-street, East St. Kilda	25.1.29	14 (c)
Murray, Edith	3820	Bush Nursing Hospital, Kyabram	6.8.26	14 (c)
Murray, Helen	6617	Base Hospital, Mildura	3.6.38	16 (1)
McCarthy, Mary Eileen	8705	c/o 104 Sackville-street, Kew	13.7.45	15 (1) (c)
McCloskey, Eloise Mary Elizabeth	4040	8 Blanche-street, Elsternwick	6.5.27	14 (c)
McClurg (née Vance), Ethel Augusta	1284	145 Mitchell-street, Northcote	26.6.17	14 (b)
McCullough, Eileen	4010	7 Tyne-street, Burwood	1.7.27	14 (c)
McDonald, Dorothy Foderia	6686	5 Mason-street, Northcote	2.9.38	15 (1) (c)
McDonald, Margaret Jean	8518	201 Verner-street, East Geelong	3.11.44	15 (1) (c)
McFarlin (née Colman), Leila Marjorie	7434	7 Frank-street, Coburg	4.4.41	15 (1) (c)
McGeover, Mary Linus	6946	St. Vincent's Maternity Hospital, East Melbourne ..	4.8.39	15 (1) (c)
McInnes, Margaret Mary	7341	171 Hoddle-street, West Richmond	13.12.40	15 (1) (c)
McIntosh, Katherino	4627	11 Princes-street, St. Kilda	13.12.29	14 (c)
McIntosh, Joyce	6872	Women's Hospital, Carlton	5.5.39	15 (1) (c)
McKenzie, Christina	4886	444 Punt-road, South Yarra	13.2.31	15 (1) (c)
McKenzie (née Ievers), Mary Ellinor Irene	1257	140 Cochrane-street, Gardenvale	26.6.17	14 (a)
McKenzie, Mary Kemp	4080	"Floddin Field", Cressy	14.10.27	14 (a)
McKeown, Ruby	8417	87 Lachlan-street, Cowra, New South Wales ..	7.7.44	15 (1) (c)
McKinnon, Bridget	8355	Private Bag, Terang	31.3.44	15 (1) (c)
McLachlan, Margaret Jean	7779	18 Amundsen-street, Belmont, Geelong	1.5.42	15 (1) (c)
McLarty (née Daniels), Dora Isabel	5782	"Hill-Top", Buchan	14.2.35	15 (1) (c)
McLay, Jessie Elizabeth	5915	Prince Henry's Hospital, Melbourne	26.7.35	15 (1) (c)
McLeod, Doris Ada	7342	6 Clowes-street, Kyneton	13.12.40	15 (1) (c)
McLeod (Mrs.), Margaret Marie	5292	"Enari", Pt. Nepean-road, Seaford	25.11.32	15 (1) (c)
McMahon, Helena Elizabeth	5090	59 Dundas-place, Albert Park	18.12.31	15 (1) (c)
McMahon, Mary Margaret	8487	Bowser, Victoria	6.10.44	15 (1) (c)
McNair, Vera Gwinifer	7396	24 Jersey-parade, Carnegie	14.2.41	15 (1) (c)
McWilliam, Enid May	5222	9 Bailey-avenue, Malvern	29.7.32	15 (1) (c)

REMOVALS, 1946—continued.

Name.	Registration No.	Address.	Date of Registration.	Section of Act under which Registration was effected.
Napier, Winifred Margaret	8295	121 Henderson-street, Inveroll, New South Wales	11.2.44	15 (1) (c)
Newland, Edith Blanche	1553	24 Camberwell-road, Auburn	23.10.17	14 (c)
Nicholson, Ethel Isabel Victoria	1218	222 Orrong-road, Toorak	8.6.17	14 (a)
Nicholson (née Boyne), Phlela	7469	51 May-street, West Preston	2.5.41	15 (1) (c)
Nicholson, Viva Meryl	7233	"Clifton", Harrow	2.8.40	15 (1) (c)
Noble, Mary Florence	5155	804 Malvern-road, Armadale	8.4.32	15 (1) (c)
Noble, Nancy Elizabeth	6745	"Glentree", Modewarre	5.12.38	15 (1) (c)
North, Mildred Grace	7275	63 Mount-street, Heidelberg	13.9.40	15 (1) (c)
O'Connor, Eileen Mary	7141	114 Mollwraith-street, Princes Hill	19.4.40	15 (1) (c)
O'Donnell, Mary Agnes	5543	Mercy Hospital, Grey-street, East Melbourne	24.11.33	15 (1) (c)
O'Loughlin, Gertrude	7427	District Hospital, Port Fairy	14.3.41	16 (1)
Owen, Dorothy Graco Lillian	5834	"Alexandra Mansions", Aikman-street, South Melbourne	29.3.35	15 (1) (c)
Page, Violet	5942	Everest-crescent, Olinda	30.8.35	15 (1) (c)
Pankhurst, Alice	7204	"St. Mary's" Private Hospital, Wangaratta	12.7.40	15 (1) (c)
Park, Jean Marjorie	6456	Maxwellton Private Hospital, Melbourne-road, Frankston	1.10.37	15 (1) (c)
Parkinson, Joan	8120	Bush Nursing Hospital, Skipton	2.7.43	15 (1) (c)
Pateron, Helen May Victoria	6978	10 Hardy-street, Brunswick	1.9.39	15 (1) (c)
Perry, Isabella Maud	1157	12 Moore-street, Hawthorn	25.5.17	14 (a)
Peters, Mavis Marie	6847	Kingston-road, Heatherton	14.4.39	15 (1) (c)
Pinney, Martina Jane	2907	62 Brook-street, Albert Park	3.3.22	14 (b)
Pitt, June Bronto	6747	122 Hotham-street, East St. Kilda	5.12.38	15 (1) (c)
Plunkott (née Noaglo), Margaret Ellen	7098	Scott-street, Buninyong	5.2.43	15 (1) (c)
Pollock, Evelyn Mavis	7143	23 Maysia-street, Canterbury	19.4.40	15 (1) (c)
Pollock, Frances	7724	Base Hospital, Ballarat	6.3.42	15 (1) (c)
Pratt, Thelma Ethel	6850	Bona-road, Korumburra	14.4.39	15 (1) (c)
Pretty, Beryl	8050	140 Peel-street, Kew	2.4.43	15 (1) (c)
Price, Edith Eveline	7089	24 Glenloith-avenue, Geelong	9.2.40	15 (1) (c)
Pring, Daryl Winona	8491	306 The Avenue, Parkville	6.10.44	15 (1) (c)
Proctor, Elizabeth Mabel	8579	District Hospital, Maryborough	9.2.45	15 (1) (c)
Prowse, Honor May	7728	Kiora, Mount Hareb, New South Wales	6.3.42	16 (1)
Prunty, Frances Marie Theresa	8396	"Innisfail", Clarendon	2.6.44	15 (1) (c)
Pump, Elsie	5878	Pakonham Upper	24.5.35	15 (1) (c)
Pyle, Wilma Henrietta	4524	Bush Nursing Hospital, Leongatha	5.7.29	14 (c)
Read, Elizabeth Roba	8747	28 Wentworth-avenue, East Camberwell	10.8.45	15 (1) (c)
Rendell, Eileen Gordon	4192	District Hospital, Dunolly	2.3.28	14 (c)
Revolman, Zara	7894	102 David-street, Preston	7.8.42	16 (1)
Richards, Mona Bell	6191	59 Halifax-street, Middle Brighton	20.11.36	15 (1) (c)
Richardson, Elsie Ada	8671	8 Braeside-avenue, Burwood	11.5.45	16 (1)
Richman, Rose Elizabeth	8711	Queen Victoria Hospital, Melbourne	13.7.45	15 (1) (c)
Riley, Betty	7835	192 High-street, Kew	3.7.42	15 (1) (c)
Riley (née Locker), Irene Mary	7895	75A Richardson-street, Albert Park	7.8.42	16 (1)
Roberts, Helen Benedicte	8712	35 Shaftesbury-road, Burwood	13.7.45	15 (1) (c)
Robertson (née Grant), Isabel	2384	12 Coplan-street, South Yarra	2.6.19	14 (c)
Robinson, Olive Edna	6414	Thomas-street, Benalla	6.8.37	15 (1) (c)
Rock, Nina Jessie Beatrice	5945	53 Black-street, Middle Brighton	30.8.35	15 (1) (c)
Rockliff, Irene Katie	7589	103 Car Depot, Ingleburn	5.9.41	15 (1) (c)
Rodda, Brenda Katherine	8146	Violet Town	6.8.43	15 (1) (c)
Rogers, Dorothy Phyllis	6852	66 Moreland-road, Moreland	14.4.39	15 (1) (c)
Roonov, Mary Catherine	6154	White Rock, Dennington	21.8.36	15 (1) (c)
Rose (née Bosse), Margaret Jean	8129	"Elands", Mathura, New South Wales	6.8.43	15 (1) (c)
Rosel, Nancy Sefton	6274	7 Coppins-grove, Hawthorn	5.2.37	15 (1) (c)
Ross (née Norris), Rayma Irene	8422	c/o 18 Hunter-street, Wonthaggi	7.7.44	15 (1) (c)
Rundlo (née Blonnerhassett), Sheila Marie	8581	The Rectory, Daylesford	9.2.45	15 (1) (c)
Rurade, Dorotta Sylvia	7094	Repatriation Hospital, Kooyong-road, Caulfield	9.2.40	15 (1) (c)
Russell, Ivy	8327	52 Clendon-road, Toorak	11.2.44	16 (1)
Rust, Miriam Edith Gwen	8822	30 Erin-street, Richmond	14.12.45	15 (1) (c)
Rust (née Austin), Rayna Joyce	8685	30 Erin-street, Richmond	8.6.45	15 (1) (c)
Ryan, Elizabeth Marie	6582	Bush Nursing Hospital, Healesville	8.4.38	15 (1) (c)
Salix, Dolores Amy	8609	Box 58, Barham, New South Wales	9.3.45	15 (1) (c)
Salmon, Iris May	8211	Margaret Colos Wing, Alfred Hospital, Prahran	5.11.43	15 (1) (c)
Sattlor, Eva Gwendoline	8582	St. Vincent's Maternity Hospital, East Melbourne	9.2.45	15 (1) (c)
Sattlor, Nancy Grace	8716	St. Vincent's Maternity Hospital, East Melbourne	13.7.45	15 (1) (c)
Scott, Marjorie Jean	8163	21 Spencer-street, North Essendon	3.9.43	15 (1) (c)
Scott-Young, Beryl Elizabeth	4765	9 Mona-place, South Yarra	25.7.39	16 (1)
Scouler, Daphne May	6982	c/o Mrs. J. Brewster, Yinnan South, via Morwell	1.9.39	15 (1) (c)
Scully, Doris Irene May	6815	73 Hutton-street, Thornbury	10.3.39	15 (1) (c)
Shannon, Joan Kathleen	7674	District Hospital, Warracknabeal	19.12.41	15 (1) (c)
Sherwell, Isabel Mary	8423	Wilkur South, via Watchem	7.7.44	15 (1) (c)
Simpson (Mrs.), Alice	64	65 Molesworth-street, North Melbourne	21.7.16	14 (b)
Sinclair, Iris	7052	Hampton Park, via Dandenong	8.12.39	15 (1) (c)
Skoat, Belinda Rosalind	6333	12 Fletcher-street, Essendon	9.4.37	15 (1) (c)
Slater, Patricia Violet	7812	52A Sims-street, Sandringham	5.6.42	15 (1) (c)
Small, Valerie May	6602	56 Burke-road, East Malvern	6.5.38	15 (1) (c)
Smith, Edna Lillian Morio	6960	Heathorlie, Korang	4.8.39	15 (1) (c)
Smith, Elizabeth May	3981	Fairfield, Gatum, via Hamilton	6.5.27	14 (c)
Smith, Kathleen	2555	Chelmer Private Hospital, St. Kilda-road, Melbourne	5.7.20	14 (c)
Smith, Mary Philomena	8761	Wilmington, South Australia	7.9.45	15 (1) (c)
Sonnenberg, Ethel May	3856	Emerald-road, Belgrave	12.11.26	14 (c)
Spensley (née Cox), Thyrsa Ross	5736	32 Edgar-street, Glen Iris	26.10.34	15 (1) (c)
Sproal, Edna Jean	8056	Base Hospital, Warrnambool	2.4.43	15 (1) (c)
Sproal, Phyllis Clare	8649	District Hospital, Heathcote	13.4.45	15 (1) (c)
Squire, Susie Victoria	8724	c/o Mrs. J. Kennedy, "Cloverlea", Darnum, Gippsland	13.7.45	16 (1)
Steane, Violet Graco	6715	Harris-street, Rutherglen	14.11.38	15 (1) (c)
Steggill (née Paterson), Cecilia Broomfield	7799	c/o Bank of New South Wales, Collins-street, Melbourne	1.5.42	16 (1)

REMOVALS, 1946—continued.

Name.	Registration No.	Address.	Date of Registration.	Section of Act under which Registration was effected.
Stenborg, Mavis Veronica	7187	21 Linden-avenue, Hoidelberg	7.6.40	15 (1) (c)
Stevens, Marjorie Elwyn	5231	11 Parlington-street, Camberwell	29.7.32	15 (1) (c)
Stewart (née Hoskon), Rita Mary	4059	Baringhup West	6.9.27	14 (c)
Stott, Ethel	6443	17 Odenwald-road, Eaglemont	3.9.37	15 (1) (c)
Surridge (née Hance), Thelma Florence	4307	80 Jamieson-street, Warrnambool	14.9.28	14 (c)
Sutton, Lydia May	7884	District Hospital, Ararat	7.8.42	15 (1) (c)
Thomson, Ora Muriel	8672	The Hydro, Warburton	11.5.45	16 (1)
Tickle, Muriel	8009	"Bankseca", Dungog, New South Wales	5.2.43	15 (1) (c)
Tiley, Lillian	6808	75 Alfred-crescent, North Fitzroy	10.2.39	16 (1)
Tootoll, Elsie May Caroline	6998	32 Elizabeth-street, Elsternwick	6.10.39	15 (1) (c)
Topham, Nellie Grace	7924	Coomberdale, Western Australia	2.10.42	15 (1) (c)
Trudinger, Agnes Dora	8651	12 Walsall-street, Kensington Park, Adelaide	13.4.45	15 (1) (c)
Turnbull, Annie Matilda	7035	431 Drummond-street, North Ballarat	8.12.39	15 (1) (c)
Tucker, Lorna Stewart	8652	12 Iramoo-street, Balwyn	13.4.45	15 (1) (c)
Van Cooth, Dorothea Marie	8611	17 Grandview-grove, Armadale	9.3.45	15 (1) (c)
Varley, Adalen	3498	23 John-street, Horsham	6.3.25	14 (c)
Vickers, Phyllis	7155	Queen Victoria Hospital, Melbourne	19.4.40	15 (1) (c)
Wakefield, Ellen Mary	4635	7 Fletcher-street, Essendon	13.12.29	14 (c)
Waller (née Trevorrow), Betty Priscilla	8397	11 Fordhalm-road, Hawthorn	2.6.44	15 (1) (c)
Walsh, Frances Clare	7056	Yallourn Hospital	8.12.39	15 (1) (c)
Walsh, Mary Muriel	4461	"Taradell", Morwell	22.3.29	14 (c)
Walsh, Sheila Elizabeth	7525	32 Alfred-street, Warragul	11.7.41	15 (1) (c)
Walters, Myrtle Emma	8317	Woorak, via Kiata	11.2.44	15 (1) (c)
Walters, Joyce	6963	Box 47, Merbein	4.8.39	15 (1) (c)
Watkins, Pauline	8427	74 Little Myers-street, Geelong	7.7.44	15 (1) (c)
Watt, Constance Lockyer	7605	95 McCracken-street, Essendon	3.10.41	15 (1) (c)
Webb (née Heading), Doris	6319	90 Glyndon-road, Camberwell	9.4.37	15 (1) (c)
Weekes, Dorothy Maie	8810	8 Tashenny-road, Toorak	9.11.45	15 (1) (c)
Weekes, Jean Alice	8336	"Glenavon", Stratford	3.3.44	15 (1) (c)
Weinert, Beatrice	7485	38 North-road, Newport	2.5.41	15 (1) (c)
Weir, Catherino	6860	1 Molesworth-street, Kew	14.4.39	15 (1) (c)
Weston, Ruth May	5371	Goorambat Post Office, Victoria	24.2.33	15 (1) (c)
Weston, Eva	3688	221 Moore-street, Fitzroy	15.1.26	14 (c)
Weston (née Roennfeldt), Joyce Birdwood	8612	Box 10, Laura, South Australia	9.3.45	15 (1) (c)
Whitaker (née Browning), Ada Winifred	7070	176 Greenhill-road, Linden Park, Adelaide, South Australia	9.2.40	15 (1) (c)
White, Florence	4468	c/o Mr. A. Gibbs, Nowry	22.3.29	14 (c)
White, Mavis Jean	8586	Maylands, Moe	9.2.45	15 (1) (c)
Williams, Eva Winifred	8786	c/o Mrs. G. L. Eustace, Finness, South Australia	12.10.45	15 (1) (c)
Williams (née Hardy), Thelma Elizabeth	8499	9 Barkly-street, North Brighton	6.10.44	15 (1) (c)
Williams, Margaret Priscilla Elizabeth	8723	410 Doveton-street, North Ballarat	13.7.45	15 (1) (c)
Williams (née Lanfranchi), Esther Ruby	4623	4 Ridley-street, Sunshine	13.12.29	14 (c)
Williams, Phyllis Lillian Passau	6964	22 Powlett-street, Hawthorn	4.8.39	15 (1) (c)
Williamson, Elizabeth Anne	6800	Mercy Hospital, Grey-street, East Melbourne	10.2.39	15 (1) (c)
Wilson, Grace Margaret	2966	1 Valentine-avenue, Kew	22.9.22	14 (a)
Wilson (Mrs.), Margaret Harriet	2405	Tooolondo	1.9.19	14 (b)
Wilson, Marjorie Grace	8385	190 West Melbourne-road, West Geelong	28.4.44	15 (1) (c)
Wilson, Mary Aroha	8187	Margaret Coles Maternity Wing, Alfred Hospital, Prahran	1.10.43	15 (1) (c)
Wilson, Mavis Lillian	8588	Kelvin-grove, Bacchus Marsh	9.2.45	15 (1) (c)
Wiltshire, Lillian Millicent	8653	Gillieston, via Tatura	13.4.45	15 (1) (c)
Wilshire (née Bennett), Madeline Glen	5776	131 Toronga-road, East Hawthorn	14.2.35	15 (1) (c)
Wilton, June Marjorie	8687	27 Second-street, Black Rock	8.6.45	15 (1) (c)
Winter, Pleasant May	5092	8 Manifold-street, Warrnambool	26.6.31	15 (1) (c)
Wishart (Mrs.), Alice	1240	27 Peel-street South, Ballarat East	8.6.17	14 (b)
Wood (née Machin), Heather	8010	c/o Mrs. D. Mashin, Deacon-street, Bangalore, New South Wales	5.2.43	15 (1) (c)
Woodhead (née Roberts), Hope	6273	176 Ormond-road, Elwood	5.2.37	15 (1) (c)
Worrell, Millicent Jessie	8613	208 Pascoe Vale-road, Essendon	9.3.45	15 (1) (c)
Worth, Winifred Olive	8127	Roseberry, West Coast, Tasmania	2.7.43	15 (1) (c)

RESTORATIONS TO REGISTER DURING 1946.

Date of Restoration.	Registration No.	Name.	Address.
12. 4. 46	804	Aikins, Helen Leslie	"Boortkoi", Albury, New South Wales
15. 2. 46	4484	Attwood, Emmie Elizabeth	Trontham
10. 5. 46	4609	Burley, Eleanor Jane	"Kia Ora" Private Hospital, Portland
10. 5. 46	7927	Burton, Mavis Lydia	Brook-road, Woolloowin, Brisbane, Queensland
10. 5. 46	4827	Cadzow (née Pearce), Annie	529 Whitehorse-road, Surrey Hills
10. 5. 46	3516	Cameron (née Francis), Isabel	43 Luscombe-street, East Brunswick
15. 2. 46	6828	Card (née Cavanagh), Gwendolyn Ethel	35 Riversdale-road, Hawthorn
13. 9. 46	6728	Carswell (née Gilbert), Marion Cameron	13 Rentore-street, Camberwell
9. 8. 46	7532	Carter (née Vince), Marjory	Post Office, Cardross
14. 6. 46	7290	Cleeve, Elsie Emma Louisa	81 Ardmillan-road, Moonee Ponds
12. 7. 46	5969	Chomley, Patricia Downes	c/o Bank of Australasia, Threadneedle-street, London, England
15. 3. 46	6204	Coombs, Hilda Jane	15 Briar-avenue, Medindie, Adelaide, South Australia
8. 11. 46	7121	Cottrell, Mary Ellen	695 Keiwa-street, Albury, New South Wales
11. 10. 46	5765	Crook, Irene Grace	Bush Nursing Hospital, Myrtleford
12. 4. 46	7783	Cutting (née Russell), Dorothy May	248 Riversdale-road, Hawthorn
10. 5. 46	1194	Daniels, Amy	53 Upper Skene-street, Newtown, Geelong
8. 11. 46	4388	Deverall, Alice May	21 Margarita-street, Hampton
15. 2. 46	4432	Dudley, Violet	Tallygaroopna
12. 7. 46	3408	Fishlock (née Wynne), Dorothy Eleanor	Bush Nursing Hospital, Beulah
12. 4. 46	4090	Ford (née Brisbane), Alice Winifred	Burke-road North, Ivanhoe East
15. 2. 46	6249	Foster, Hilda Charlotte	c/o 17 Denmark Hill-road, Hawthorn
8. 11. 46	8087	Frasor, Edna May	Base Hospital, Mildura
15. 2. 46	6391	Fry, Elizabeth	Berry-street Foundling Home, East Melbourne
12. 7. 46	5767	Gerlach, Alma Marguerita	68 Molesworth-street, Kew
12. 7. 46	6393	Goff, Elsie May	District Hospital, Wongan Hills, New South Wales
12. 4. 46	7972	Goold, June Crosbie	Healesville Hotel, Healesville
15. 2. 46	5012	Graham, Alice Thelma	Q.M.I.D. Hospital, Fairfield
15. 2. 46	6131	Gregory, Eunice Winifred	123 Hotham-street, East St. Kilda
11. 10. 46	8513	Haddow, Alice Marion	235 Koroit-street, Warnambool
11. 10. 46	8483	Haddow, Phyllis Edna	235 Koroit-street, Warnambool
13. 9. 46	4794	Harbinson, Ethel	Hazel Bank, Mortlake
8. 3. 46	5769	Hearn, Constance	101 Wattle Valley-road, Camberwell
12. 7. 46	8202	Heenan, Thelma Jane	"Abington", Heyfield
10. 5. 46	8037	Hoath, Dorothy Stella	19 Avenue Athol, Canterbury
12. 4. 46	3570	Holley (née Kavanaugh), Ethel	Bush Nursing Hospital, Walwa
15. 2. 46	6173	Honey, Gertrude	c/o A.N.C.M. Rooms, 174 Collins-street, Melbourne
13. 9. 46	6074	Hughes, (Mrs.) Jean Annie	c/o 862 Malvern-road, Armadale
8. 11. 46	5579	Hustler (née Tainsh), Catherine Florence	Clydesdale, Victoria
12. 7. 46	2017	Ince (née Christian), Myrtle Evelyn	20 Shakespeare-grove, Hawthorn
13. 12. 46	6398	Jackson, Ethel May	Scott-street, Mortlake
13. 12. 46	6004	Jacobs, Rachael Miriam	56 Adelaide-street, Armadale
15. 2. 46	5828	Johnson, Alma Evelyn Eliza	7 Johnstone-street, Stawell
13. 12. 46	5523	Johnson-Turner (née Greenwood), Dora Florence	Camp-street, Beechworth
12. 4. 46	6781	Jones, Eileen Ashton Fisher	Flat 1, 30 Mitford-street, St. Kilda
10. 5. 46	6781	Kelly, Annie Eileen	173 Yarra-street, Geelong
8. 3. 46	7344	Kelly (née Niven), Mary Esther	Flat 5, 30 Shelley-street, Elwood
12. 4. 46	6665	Kennedy (née Murphy), Mary Monica	"Norwood", Webster-street, Ballarat
13. 12. 46	5093	Laird (née Partridge), Adelaide Tryphena	22 Elizabeth-street, Geelong
9. 8. 46	2934	Larrard (née Davies), Margaret	32 Fawkner-street, Essendon
10. 5. 46	3888	Lawler, Margaret	Freeburgh, via Bright
10. 5. 46	7583	Lyndon, Flora Beryl	"St. Leonards", Nambrok, via Rosedale
10. 5. 46	2549	Minogue, Mary	793 High-street, Armadale
12. 7. 46	5647	Mathers (née Jones), Jessie Ann	17 Moffat-street, Middle Brighton
12. 4. 46	8533	McGonigal (née Gorwell), Marjorie Myrtle	Court House Hotel, St. Kilda
15. 2. 46	3708	McPhee, Jessie	22 Ridley-street, Sunshine
9. 8. 46	5480	Neilson (née Campbell), Alison Bello	District Hospital, Kaniva
11. 10. 46	4629	O'Rourke, Veronica Alice	Federal Hotel, Collins-street, Melbourne
13. 9. 46	4497	Pannell, Gladys Yvonne	32 Wakanui-street, Northcote
14. 6. 46	7909	Perryman, Dorothy	Base Hospital, Mildura
11. 10. 46	6952	Rosan (née Pitty), Nollie Lois	109 Hope-street, Geelong West
13. 9. 46	5982	Prust, Alice Jean	Warrandyto-road, Ringwood North
8. 11. 46	5127	Reynolds (née Carroll), Lynda Veronica	442 Punt-road, South Yarra
12. 7. 46	6153	Robertson, Alice Johan	5 Cintra-avenue, St. Kilda
13. 9. 46	6052	Roffey (née Uren), Elsa Helen	Norlane Post Office, Melbourne-road, Geelong
15. 3. 46	6873	Ryan, Kathleen Bridget	Mersey Hospital, East Melbourne
12. 4. 46	5799	Seiffert, Amy Christina	"Cumner Park", Connawarre, Geelong
14. 6. 46	7151	Stephenson, Isabel Mary	65 Albion-street, East Brunswick
13. 9. 46	5030	Swingler (née Fields), Agnes Young	Infant Welfare Centre, Port Fairy
11. 10. 46	5415	Trist, Olivo	Wick-street, Deniliquin, New South Wales
11. 10. 46	7291	Twomey (née Butcher), Patricia Hendy	c/o J. Samson, Ardmona
13. 9. 46	7358	Walsh, Jean Phyliss	47A The Esplanade, Elwood
9. 8. 46	8214	Warr, Joyce Elaine	405 Glenferrie-road, Hawthorn
12. 4. 46	4750	Willott, Edna Jane	Infant Welfare Centre, High-street, Wodonga
8. 11. 46	2859	Williams, Dulcie Geraldine	14 Pearson-grove, North Caulfield
8. 11. 46	4817	Willing, Elva Mary	Smedley-road, North Ringwood
13. 9. 46	4528	Worby, Doris Elizabeth	1 Loch-street, Camberwell



VICTORIA GOVERNMENT GAZETTE.

Published by Authority.

[Registered at the General Post Office, Melbourne, for transmission by post as a newspaper.]

No. 299]

TUESDAY, JULY 8.

[1947

Factories and Shops Acts.

DETERMINATION OF THE COAL AND COKE BOARD.

NOTE.—This Determination applies to the whole of the State of Victoria.

IN accordance with the provisions of the Factories and Shops Acts the Wages Board which now has the power to "determine the lowest prices or rates which may be paid to any person or persons or classes of persons employed—

- (a) in any business or occupation connected with the sale or distribution of coal or coke by any—
- (i) coal importer;
 - (ii) coal mine owner;
 - (iii) gas company;
 - (iv) agent or contractor who distributes coal or coke for any coal importer, coal mine owner, or gas company;
- (b) in the process, trade, business, or occupation of burning, preparing, grinding, grading, or distributing charcoal in a form suitable for use—
- (i) in power-producing or heat-producing units;
 - (ii) in the manufacture of explosives;
 - (iii) in the manufacture, repair, or maintenance of gas masks or respirators "

has made the following Determination, namely:—

1. That as from the beginning of the first pay period to commence on or after the 1st May, 1947, the last previous Determination of this Board shall be revoked and replaced by this Determination.

PART I.—Persons OTHER THAN those employed in the process, trade, business, or occupation of burning, preparing, grinding, grading, or distributing charcoal in a form suitable for use in power-producing or heat-producing units; in the manufacture of explosives or in the manufacture, repair, or maintenance of gas masks or respirators.

2. (a)

Improvers.*		Other Employees.	
WAGES PER WEEK.		WAGES PER WEEK.	
	s. d.		s. d.
Under 17 years of age	66 6	Persons trimming or spreading coal that is heated or on fire	211 4
17 years of age	78 3	Persons employed driving and/or operating power-driven coal-loading machines, i.e., persons riding on, driving and/or operating mechanical or other levers of such coal-loading machines	155 4
18 " "	90 0	Persons employed trimming coal and/or feeding coal to and from coal loaders	145 4
19 " " or over—the appropriate rate prescribed under the heading "other employees".		Persons trimming coal from the "Grab"	152 8
		Other coal trimmers	145 4
		Coal baggers or loaders	145 4
		Persons employed loading by shovel or fork loose coal from railway trucks to vehicles	145 4
		Persons employed loading by shovel or fork loose coal from vehicles to railway trucks	167 4
		Persons loading by shovel or fork loose coal from the ground into railway trucks	178 4
		Coke stackers at wharf coal yards	154 6
		Coke yard employees	116 0
		Carters driving one horse	114 0
		Carters driving two horses	119 0
		Carters driving three horses	122 0
		Carters driving four horses	124 0
		Carters driving five horses	125 0
		And 6d. extra per day for every additional horse.	
		Drivers of motor vehicle, including girlinger, having a maker's capacity of—	
		(a) 25 cwt. or less	119 0
		(b) Over 25 cwt., but not over 3 tons	123 0
		(c) Over 3 tons, but under 6 tons	126 0
		Further tonnage—for each complete ton over 5 an extra 1s. per week	
		All other coal yard employees	138 4

NOTE.—The Board has determined, in accordance with Section 25 (1) of the Factories and Shops Act 1934, that the trade is so unskilled that no apprentices shall be taken in the trade.

No. 299.—3529/47.

- (b) GAS PRODUCER UNITS.—The following provisions shall apply to drivers of gas producer units :—
 (i) Driver of a motor vehicle fitted and operated with a charcoal gas producer unit for each day or portion thereof upon which he is called upon to drive such vehicle, 1s. extra.
 (ii) Such driver for each day or portion thereof upon which he is called upon to clean the hopper and/or final filter of such unit, 1s. extra.
 (iii) Suitable overalls and gloves shall be provided by employers for the employees mentioned in sub-clauses (i) and (ii) hereof.
 (iv) Employers shall provide proper washing conveniences for such employees, and also hot water or some other efficient cleansing material.

(c) WAR LOADINGS FOR CARTERS AND DRIVERS.—In addition to the weekly rates prescribed herein, war loadings shall be paid as follows :—

	Per Week.
	s. d.
Juniors under 20 years of age	1 0
Juniors 20 years of age and over	1 6
All other classifications	3 0

Provided that any person driving a gas-producer unit shall be paid the appropriate extra rates hereinbefore provided, and shall not be entitled to war loadings.

3. All persons other than carters and drivers 44 hours per week.
 Carters and drivers 88 hours per fortnight provided that not more than 48 hours per week shall be worked without payment of overtime.

4. TIME OF BEGINNING AND ENDING WORK.

	Time of Beginning.	Five Days in the Week.	Time of Ending the day the half-holiday is usually observed.
Carters	7 a.m.	5.45 p.m.	1 p.m.
All others	8 a.m.	5 p.m.	12 noon

OVERTIME.

5. (a) The following rates shall be paid for all overtime worked :—
 (i) Outside the time of beginning and ending work as herein fixed—
 Between 12 noon and midnight on the day on which the half-holiday is usually observed Double time.
 Between 5 p.m. and midnight on the other working days Time and a half.
 Between midnight and 8 a.m. Double time.
 (ii) Within the times of beginning and ending work in excess of the hours fixed in Clause 3 as a week's work—
 First two hours Time and a half.
 Thereafter Double time.
- (b) Special provisions relating to overtime :—
 When overtime is to be worked casual employees shall where practicable be given preference. The foreman shall make the necessary arrangements for engaging casual employees during the times mentioned in clause 13 and shall inform casual employees so engaged of the actual time they are expected to commence work.
 Should a casual employee be employed during the day and until 7 a.m. the following day by one employer, he shall not be required to continue after 7 a.m. if other labour is available.
 Should a casual employee who has been employed all day be ordered back by the same employer to resume not later than 2 a.m. and continues until 7 a.m., he shall not be required to continue after 7 a.m. if other labour is available.
 Should a casual employee's first start be midnight or later he shall if required, continue working throughout that day until 5 p.m.
 If a regular yard employee after completing a full day's work is called upon to work overtime until later than 11 p.m., he shall not be required to resume work next morning if other labour is available.

MINIMUM OF WORK.

6. Employees called on to work on any day shall be given four (4) hours' work, or alternatively, four (4) hours' pay at ordinary rates.

BROKEN WORKING HOURS.

7. Any broken part of fifteen minutes at the completion of a day's work shall be paid for as for a full fifteen minutes.

TRANSPORT.

8. When work finishes between midnight and 6 a.m., transport (if obtainable) shall be provided to convey the employees to a point adjacent to Flinders-street in the City. This clause shall only apply to the Metropolitan District.

PAY DAY.

9. (a) All wages due to 5 p.m. on Thursday in each week shall be paid on that day.
 (b) Each employee shall be furnished with particulars each pay day of time worked and rates of payment.

SMOKE-OH.

10. (a) Persons employed in trimming coal or coaling small vessels by means of baskets, shall be entitled to the following smoke-oh :—

- Day—
 10 a.m. to 10.30 a.m., unless work ends at or before 10 a.m.
 3 p.m. to 3.30 p.m., unless work ends at or before 3 p.m.
 Night—
 9 p.m. to 9.30 p.m., unless work ends at or before 10 p.m.
 3 a.m. to 3.30 a.m., unless work ends at or before 3 a.m.

(b) Persons employed continuously feeding coal into and/or driving or in charge of any mechanical appliance or elevator, shall be allowed 30 minutes' smoke-oh during each morning and each afternoon or alternatively shall be paid for such time.

(c) All other employees shall receive a smoke-oh of 10 minutes during each morning and each afternoon at a time mutually agreed upon or alternatively shall be paid for such time.

WET WEATHER PROVISIONS.

11. (a) A committee consisting of a representative of employers appointed by the Commonwealth Steamship Owners Association and a representative of employees appointed by the Federated Fodder and Fuel Trades Industrial Union, shall by agreement determine whether work at the South Wharf Coal Yards or any other place within the Metropolitan District as defined in the Factories and Shops Acts and the Orders in Council thereunder shall proceed or cease in the event of wet weather.

(b) If the Committee agrees that rain is sufficiently heavy to justify a temporary cessation of work, such work shall cease forthwith provided that wagons which have been loaded to at least half capacity shall be completed before work ceases.

(c) In the event of employees working under cover and protected from rain the foregoing sub-clauses of this clause shall not apply and such employees shall continue working during any period of wet weather.

(d) During the temporary cessation of work employees shall hold themselves in readiness for work during ordinary hours of employment and shall be paid for the actual time of waiting as follows:—

For the first two hours—ordinary rates.
Thereafter at one-half ordinary rates.

(e) When the Committee determines that the weather conditions are suitable, employees affected shall immediately resume work.

(f) In the event of a disagreement by the Committee as to whether the conditions are suitable for a resumption of work, lots shall be drawn to determine the matter.

(g) If the employers' representative considers the weather justifying the cessation of work is likely to continue for a lengthy period, the payment of allowances set forth in paragraph (d) may be discontinued, and employees shall not be bound to hold themselves in readiness for a resumption of work.

(h) It shall be the function of the Wet Weather Committee as constituted under clause 11 (a) herein to determine if coal is too dusty to work, and if it so determines, such coal ex-ship shall be sprinkled with water prior to the coal being handled by employees.

MEAL MONEY.

12. Any person required to continue work until 5.30 p.m. or later shall be paid 2s. meal money.

PICKING-UP TIME.

13. The picking-up time for engagement of labour at the South Wharf shall be from 7.45 a.m. to 11 a.m. Mondays to Fridays inclusive, and 7.45 a.m. to 10 a.m. on Saturdays.

PLACE FOR ENGAGEMENT OF LABOUR.

14. The place for engagement of labour at the South Wharf coal yards, shall be at the Harbor Trust shelter shed.

RIGHT OF ENTRY OF UNION OFFICIAL.

15. A duly accredited representative of the Federated Fodder and Fuel Trades Industrial Union shall have the right to enter the portion of any employer's establishment in which any of the classes of labour covered by this Determination are employed, for the purpose of interviewing employees on legitimate union business.

HOT AND COLD SHOWERS.

16. Employers shall provide hot and cold showers for the use of employees. In cases where hot and cold showers are not provided at the date upon which this Determination comes into operation this clause shall not apply until the 1st January, 1947.

DINING AND SANITARY ACCOMMODATION.

17. Proper dining and sanitary accommodation shall be provided by the employer for the use of employees and shall be cleaned every day except Sundays and holidays, but in no case to be left uncleaned for more than one day.

SPECIAL RATES.

18. For all work done on Sundays and the undermentioned holidays, the rates shall be—

	<i>Coal Trade.</i>	<i>Coke Trade.</i>
Sundays	Double time	Time and a half
Australia Day	Time and a half	"
New Year's Day	"	"
Labour Day	Double time	"
Good Friday	"	Double time
Easter Saturday	Time and a half	Time and a half
Easter Monday	"	"
Christmas Day	Double time	Double time
Boxing Day	Time and a half	Time and a half
King's Birthday	"	"
Melbourne Cup Day	"	"

but if any other day be by Act of Parliament or Proclamation substituted for any of the abovenamed holidays, the special rate shall only be payable for work done on the day so substituted.

ANNUAL HOLIDAYS.

19. The annual holidays for employees covered by this Determination shall be in accordance with the provisions, as may be amended from time to time, of the *Factories and Shops (Annual Holidays) Act 1946* (No. 5111.)

EMPLOYEES ON LOAN.

20. Notwithstanding anything elsewhere contained in this Determination, an employee shall be deemed to be in the employ of his employer even though such employee shall or may be loaned temporarily or transferred to another employer who is subject to the provisions of this Determination.

PART 2.—Persons employed in the process, trade, business, or occupation of burning, preparing, grinding, grading, or distributing, charcoal, in a form suitable for use in power-producing or heat-producing units; in the manufacture of explosives or in the manufacture, repair, or maintenance of gas masks or respirators.

1. (a)

Improvers.		Other Employees.	
WAGES PER WEEK OF 44 HOURS.		WAGES PER WEEK OF 44 HOURS.	
	<i>s. d.</i>		<i>s. d.</i>
Under 17 years of age	64 6	Wood cutters, using axe, power crosscut circular saw, or other method	126 0
17 years of age	75 9	Carters driving one horse	114 0
18 " "	87 0	Carters driving two horses	119 0
19 " " or over—the appropriate rate prescribed under the heading "other employees".		Carters driving three horses	122 0
		Carters driving four horses	124 0
		Carters driving five horses	125 0
		And 6d. extra per day for every additional horse	
		Drivers of vehicle (including girlinger) having maker's capacity of—	
		(a) 25 cwt. or less	119 0
		(b) Over 25 cwt., but not over 3 tons	123 0
		(c) Over 3 tons, but under 6 tons	126 0
		Further tonnage—for each complete ton over 5 an extra 1s. per week.	
		Charcoal burning by retorts, metal or brick kilns, or pits—	
		(a) Operator in charge of plant	141 0
		(b) All other employees, including persons employed in emptying, bagging, sewing, stacking, or loading	131 0
		Grinding or grading charcoal—	
		(a) Attendant in charge of plant—	
		(i) With four or more persons under his supervision	151 0
		(ii) With three or fewer persons under his supervision	147 0
		(b) All other persons, including those engaged in grinding, grading, or bagging charcoal or sewing bags	141 0

NOTE.—The Board determines that no person shall be employed as an apprentice.

PROPORTION (BY ANY EMPLOYER.)
One improver to the first six workers, and thereafter one additional improver to every ten additional workers receiving not less than 114s. per week.

(b) **GAS-PRODUCER UNITS.**—The following provisions shall apply to drivers of gas-producer units:—

- (i) Driver of a motor vehicle fitted and operated with a charcoal gas-producer unit for each day or portion thereof upon which he is called upon to drive such vehicle, 1s. extra.
- (ii) Such driver for each day or portion thereof upon which he is called upon to clean the hopper and/or final filter of such unit, 1s. extra.
- (iii) Suitable overalls and gloves shall be provided by employers for the employees mentioned in sub-clauses (i) and (ii) hereof.
- (iv) Employers shall provide proper washing conveniences for such employees and also hot water or some other efficient cleansing material.

(c) **WAR LOADINGS FOR CARTERS AND DRIVERS.**—In addition to the weekly rates prescribed in clause (1) (a), war loadings shall be paid as follows:—

	Per Week.	
	s.	d.
Juniors under 20 years of age	1	0
Juniors 20 years of age and over	1	6
All other classifications	3	0

Provided that any person driving a gas-producer unit shall be paid the appropriate extra rates set out in sub-clause (b) and shall not be entitled to war loadings.

CONDITIONS OF EMPLOYMENT (OTHER THAN FOR SHIFT WORK).

2. (i) The ordinary weekly total of hours shall be 44 in number, all to be worked on days other than Sunday.
- (ii) (a) Such ordinary weekly total, at the option of the employer, may be spread over five or six days, and except on shift work, shall be worked in one period occurring between 7.30 a.m. and 12.30 p.m. on Saturday and between 7.30 a.m. and 5.15 p.m. on other days, subject to the recognized meal hours or intervals and smoke-oh of ten minutes each morning and afternoon, but no other breaks imposed by the employer.
- (b) If a five-day week is worked the ordinary daily total of working hours shall be $8\frac{4}{5}$ ths, and if a six-day week is worked such total shall be four on Saturday and eight on any other day.
- (iii) Smoke-ohs shall be counted as part of time worked.

SHIFT WORK.

3. (i) For the purposes of this Determination afternoon and night shifts shall be defined as follows:—
 - (a) Afternoon shift shall mean any shift finishing after 6 p.m. and at or before midnight.
 - (b) Night shift shall mean any shift finishing after midnight and at or before 8 a.m.
- (ii) The ordinary hours of shift workers shall not exceed—
 - (a) 8 hours in any one day; or
 - (b) 48 hours in any one week; or
 - (c) 88 hours in any 14 consecutive days; or
 - (d) 176 hours in any 28 consecutive days.
- (iii) Subject to the following conditions shift-workers shall work at such times as the employer may require.
 - (a) A shift shall consist of 8 hours inclusive of crib-time and smoke-oh.
 - (b) Except at regular change over of shifts or except in the event of relief not arriving or except in some special circumstance an employee shall not be required to work more than one shift in any one period of 24 hours.
 - (c) Any employee who is required to continue working on account of one of the special conditions mentioned in sub-clause (b) hereof shall not work more than two consecutive shifts in any one period of 24 hours.
- (iv) In each shift during which the employee does not receive the same amount of time for a meal interval or smoke-oh as that which day-workers receive under this Determination, he shall be paid at ordinary rates for twenty minutes' crib-time and two smoke-ohs of ten minutes each.
- (v) Shift-workers whilst engaged on afternoon or night shifts shall receive the ordinary rates of payment provided in clause 2 with the addition of $7\frac{1}{2}$ per cent. Provided that for work done on any shift the major portion of which is worked on a Sunday or a holiday mentioned in clause 8, an additional 50 per cent. shall be paid.

OVERTIME.

4. Except as in this Determination may be otherwise provided, all time worked in excess of the ordinary daily or weekly hours of work shall be paid for at one and a half times the ordinary rate for the first four hours and double the ordinary rate thereafter.

TERMS OF ENGAGEMENT.

5. (i) An employer shall have the option of engaging any employee either by the week or casually.
- (ii) (a) If the engagement is by the week it shall be for a continuous period of at least eight weeks, and thereafter shall be terminable on either side by a week's notice which may be made to expire at any time during a week of the employment. Provided that this clause shall not affect the employer's right to dismiss forthwith at any time an employee because of the latter's incompetence or misconduct, in which case the employee shall be entitled in respect of wages for the then current week's employment, only to payment proportionate to the aggregate of time worked by him, and of such other previous time (if any) in that week as to which under this Determination no deduction from his week's wages is allowable.
- (b) An engagement shall be deemed to be and to continue casual unless the employer, at the commencement of the engagement or before any change by him of a casual engagement of the employee to one by the week, expressly notifies the employee that he is to be engaged by the week.
- (c) A casual employee is one engaged and paid as such. A casual employee for working ordinary time shall be paid per hour one-fortieth of the weekly rate prescribed by this Determination for the work which he performs.
- (d) The employer shall have the right to deduct payment for any day upon which the employee cannot be employed usefully because of any strike, or through any breakdown of machinery, or any stoppage of work, or any cause for which the employer cannot reasonably be held responsible.

ANNUAL HOLIDAYS.

6. The annual holidays for employees covered by this Determination shall be in accordance with the provisions, as may be amended from time to time, of the *Factories and Shops (Annual Holidays) Act 1946* (No. 5111.)

SICK LEAVE.

7. No deduction shall be made from the wages of any weekly employee unavoidably absent through illness for not more than 44 working hours in each year, i.e., one day for each two months' service, commencing 1st July, 1942, provided he has submitted, within 24 hours of the commencement of such absence, satisfactory evidence to the employer or his representative that same was not the result of his own misconduct.

SUNDAYS AND HOLIDAYS.

8. (i) Weekly employees shall be entitled to the following holidays without deduction of pay. The days observed as:—New Year's Day, Australia Day, Good Friday, Easter Saturday, Easter Monday, Labour Day, Anzac Day, King's Birthday, Christmas Day, and Boxing Day, or such other day as is generally observed in the locality as a substitute for any of the said days respectively.
- (ii) Any weekly employee required to work on a Sunday or any holiday mentioned in sub-clause (i) hereof, shall be paid for such work at double the ordinary rate.

WASHING FACILITIES.

9. Each employer shall provide for all the employees hot and cold showers or other conveniences, which shall be approved by the Secretary for Labour or his Inspector.

TIME RECORD.

10. (a) The employer shall keep a record of the names of the employees of such employer, and in respect of each such employee, a record from week to week of the periods, times, and class of work done, and the rates of wage and amounts of wages paid, and shall obtain from week to week the signature of each employee to such record.

(b) The secretary or duly accredited representative of the Federated Fodder and Fuel Trades' Industrial Union authorized in writing to that effect by such secretary shall be allowed, on any day after which two days' notice has been given to inspect such records so far as may be reasonably necessary to obtain information therefrom relating to any member or members of the said union.

RIGHT OF ENTRY OF UNION OFFICIAL.

11. A duly accredited representative of the Federated Fodder and Fuel Trades Industrial Union shall have the right to enter the portion of any employer's establishment in which any of the classes of labour covered by this Determination is done, for the purpose of interviewing employees on legitimate Union business.

NOTICE BOARD.

12. The Federated Fodder and Fuel Trades Industrial Union shall be permitted to post on a board notices appertaining to Union business generally.

FIRST-AID CHEST.

13. Every employer shall provide a fully-equipped first-aid outfit for use of any employee injured in the course of his employment.

GOGGLES AND RESPIRATORS.

14. Every employer shall provide suitable goggles and respirators for use of employees whilst employed by him.

PART 3.—Periodical Adjustment of Wages.

(NOTE.—The provisions of this Part operate in the cases of employees covered by Part 1 and Part 2.)

1. The wages rates set out in Part 1 and Part 2 are based upon the following basic wage rates and, pursuant to the provisions of section 21 of the *Factories and Shops Act 1934*, the Board hereby determines that such rates shall be automatically adjusted as prescribed by clause 2. Provided that the wages of improvers shall be adjusted proportionately to adjustments of the basic wage, such adjustments to be to the nearest 3d., half or less than half of 3d. to be disregarded.

Basic Wage.

Place.	Needs Basic Wage.	Loading Constant.	Basic Wage.	Index Number Set Assigned.
	£ s. d.	s. d.	£ s. d.	Six Capital Cities (Weighted Average).
Throughout the State	5 1 0	6 0	5 7 0	

ADJUSTMENT OF BASIC WAGE.

2. (a) For the purposes of this Determination, the expression "Commonwealth Statistician's 'all items' retail price index numbers" or any like expression means the numbers stated to be such index numbers in any document purporting, and not proved to be wrongly so purporting, to be printed by the Commonwealth Government Printer or to be signed by or on behalf of the Commonwealth Statistician.

(b) Until the beginning of the first pay period to commence in May, 1947, the amounts of the basic wage shall be as prescribed in clause 1.

(c) During each future successive period beginning with the first pay period to commence in a May, an August, a November, or a February, the amount of the needs basic wage shall be adjusted by the following method, namely, by multiplying the last published Commonwealth Statistician's "all items" retail price index number by the factor '087 taken to one place of decimals, the resultant whole number being the amount of the basic wage expressed in shillings, but should the decimal number reach '5 or more the basic wage shall be taken to the next higher shilling.

P. A. RANGLES, J.P., Chairman.

J. V. WILLOX, Secretary.

Melbourne, 10th April, 1947.

[The body of the page contains extremely faint and illegible text, likely bleed-through from the reverse side of the paper. The text is too light to transcribe accurately.]



VICTORIA
GOVERNMENT GAZETTE.

Published by Authority.

[Registered at the General Post Office, Melbourne, for transmission by post as a newspaper.]

No. 300]

TUESDAY, JULY 8.

[1947

Factories and Shops Acts.

DETERMINATION OF THE SHOPS BOARD No. 12 (FUEL AND FODDER).

NOTES.—(1) This Determination applies to the following parts of Victoria, namely:—The Metropolitan District as defined in the Factories and Shops Acts and the Orders in Council thereunder; the cities of Ballarat, Bendigo, Geelong, Geelong West, and Warrnambool; the town of Newtown and Chilwell; and the boroughs of Eaglehawk and Sebastopol.

(2) By Orders in Council made on the 10th September, 1913, and 21st October, 1930, power was conferred on the Coal and Coke Board to determine the lowest prices or rates which may be paid to any person or persons, or classes of persons, employed in any business or occupation connected with the sale or distribution of coal or coke by any—

- (a) coal importer;
- (b) coal mine owner;
- (c) gas company;
- (d) agent or contractor who distributes coal or coke for any coal importer, coal mine owner, or gas company.

IN accordance with the provisions of the Factories and Shops Acts, the Wages Board which now has the power to "determine the lowest prices or rates which may be paid to any person or persons or classes of persons—

- (a) employed in the business of a hay, corn, or chaff dealer;
- (b) employed in carting or driving or assisting in carting or driving in connexion with the business of a hay, corn, or chaff dealer;
- (c) employed in any business or occupation connected with the preparation of firewood for sale or connected with the sale or distribution of wood, coal, or coke.
- (d) employed handling or distributing brewers or distillers' grains"—

has made the following Determination, namely:—

1. That as from the beginning of the first pay period to commence on or after the 1st February, 1947, the last previous Determination of this Board shall be revoked and replaced by this Determination.

No. 300.—3530/47.

2 (i)

Improvers.		Other Employees.					
WAGES PER WEEK OF 44 HOURS.		WAGES.		Within the cities of Ballarat and Bendigo, and the boroughs of Eaglehawk and Sebastopol.		All other parts of Victoria where this Determination applies.	
		(a) In Hay, Corn, or Chaff Stores.		(b) Employed handling or distributing brewers' or distillers' grains			
Under 17 years of age ..	s. d. 47 6	Foreman, i.e., the man who gives instructions to and is responsible for the work done by not fewer than three adults employed in the store ..		122 0	per week of 44 hours	125 0	per week of 44 hrs.
17 years of age ..	55 6	Drivers of motor wagons—					
18 ..	68 6	(a) having a capacity of 2 tons or less ..		116 0	" 44 "	119 0	" 44 "
19 ..	75 9	(b) having a capacity exceeding 2 tons, but not exceeding 4 tons ..		121 0	" 44 "	124 0	" 44 "
20 ..	83 9	(c) having a capacity exceeding 4 tons with 1s. per day extra for each trailer ..		127 0	" 44 "	130 0	" 44 "
		Carters driving one horse ..		112 0	" 44 "	115 0	" 44 "
		Carters driving two horses ..		117 0	" 44 "	120 0	" 44 "
		And for every additional horse ..		0 6	extra per day	0 6	extra per day
		All others ..		115 0	per week of 44 hours	118 0	per week of 44 hrs.
PROPORTION.		Wood Yards, or Wood, Coal, and Coke (Combined) Yards.					
One improver to the first four or fraction of four workers receiving not less than 113s. per week of 44 hours, and thereafter one improver to each additional four such workers.		Yardman in charge, i.e., the person for the time being entrusted with the control or superintendence of a wood yard or a wood and coal yard (combined), notwithstanding he may be under the orders of a superior who does not devote his whole time to the management of the same yard ..		115 0	per week of 44 hours	118 0	per week of 44 hours
		Drivers of motor wagons—					
		(a) having a capacity of 2 tons or less ..		116 0	" 44 "	119 0	" 44 "
		(b) having a capacity exceeding 2 tons, but not exceeding 4 tons ..		121 0	" 44 "	124 0	" 44 "
		(c) having a capacity exceeding 4 tons, with 1s. per day extra for each trailer ..		127 0	" 44 "	130 0	" 44 "
		Carters driving one horse ..		112 0	" 44 "	115 0	" 44 "
		Carters driving two horses ..		117 0	" 44 "	120 0	" 44 "
		And for every additional horse ..		0 6	extra per day	0 6	extra per day
		All others ..		113 0	per week of 44 hours	116 0	per week of 44 hours
		Coal Yards (i.e., Places where at least 80 per cent. of the Business is done in Coal) or Coke Yards.					
		Drivers of motor wagons—					
		(a) having a capacity of 2 tons or less ..		116 0	per week of 44 hours	119 0	per week of 44 hours
		(b) having a capacity exceeding 2 tons, but not exceeding 4 tons ..		121 0	" 44 "	124 0	" 44 "
		(c) having a capacity exceeding 4 tons, with 1s. per day extra for each trailer ..		127 0	" 44 "	130 0	" 44 "
		Carters driving one horse ..		112 0	" 44 "	115 0	" 44 "
		Carters driving two horses ..		117 0	" 44 "	120 0	" 44 "
		And for every additional horse ..		0 6	extra per day	0 6	extra per day
		All others ..		126 0	per week of 44 hours	129 0	per week of 44 hours
		Firewood Saw Mills (i.e., Places where Mechanical Power is used to saw Firewood).					
		Benchmen ..		119 0	per week of 44 hours	122 0	per week of 44 hours
		Drivers of motor wagons—					
		(a) having a capacity of 2 tons or less ..		116 0	" 44 "	119 0	" 44 "
		(b) having a capacity exceeding 2 tons, but not exceeding 4 tons ..		121 0	" 44 "	124 0	" 44 "
		(c) having a capacity exceeding 4 tons, with 1s. per day extra for each trailer ..		127 0	" 44 "	130 0	" 44 "
		Carters driving one horse ..		112 0	" 44 "	115 0	" 44 "
		Carters driving two horses ..		117 0	" 44 "	120 0	" 44 "
		And for every additional horse ..		0 6	extra per day	0 6	extra per day
		All others ..		115 0	per week of 44 hours	118 0	per week of 44 hours

See also Clauses 2 (ii) and 3.

See also Clauses 2 (ii) and 3.

(ii)

EXTRA RATES.

per week.
s. d.

Further additional amount for a person employed handling or distributing brewers' or distillers' grains ..	3 0
Further additional amount for a person employed handling or distributing brewers' or distillers' grains in lieu of employer providing working trousers and footwear ..	1 8
Further additional amount for an employee driver who is required in any week to collect moneys and account for them as part of his duties ..	1 0

3.

ALLOWANCES.

(i) To the amounts otherwise prescribed in this Determination shall be added the following :—

- (a) Driver of a motor vehicle fitted with a charcoal gas producer unit—for each day or portion thereof upon which he is called upon to drive such vehicle .. 1s. per day
- (b) Cleaner of gas producer unit (who is not a driver) for each day or part thereof upon which he is called upon to clean such unit .. An extra 1s.

(ii) Suitable overalls and gloves shall be provided by the employer for any employee mentioned in sub-clause (i) hereof.

(iii) The employer shall provide suitable washing conveniences for any employee mentioned in sub-clause (i) hereof, together with hot water or some other efficient cleansing material.

TRAVELLING TIME.

4. Any employee employed on a milling plant who is directed during the day to work on that day at a location other than his usual place of employment, shall be paid for the time so occupied in travelling from and to such place and all fares necessarily incurred.

PROHIBITION OF EMPLOYMENT.

5. The Board determines that no person shall be employed as an apprentice.

6. TIMES OF BEGINNING AND ENDING WORK.

Time of Beginning.	Time of Ending.
7.30 a.m.	12 noon the day the half-holiday is usually observed.
7.30 a.m.	5.15 p.m. five days in the week.

7. OVERTIME.

(a) Carters.

Outside the times of beginning and ending work as herein fixed Time and a half.
 Within the times of beginning and ending work in excess of the number of hours fixed in this
 Determination as a week's work—first four hours' work—ordinary rate; thereafter . . . Time and a half.

(b) All Others.

Between midnight and 7.30 a.m. Double time.
 At any other time outside the times of beginning and ending work as herein fixed . . . Time and a half.
 Within the times of beginning and ending work in excess of the number of hours fixed in this
 Determination as a week's work—first four hours' work—ordinary rate; thereafter . . . Time and a half.

HOLIDAYS AND SUNDAY WORK.

8. Employees shall be entitled to absent themselves from work without loss of pay on the under-mentioned public holidays, viz.:—New Year's Day, Australia Day, Good Friday, Easter Monday, Labour Day, Anzac Day, Fuel and Fodder Trades' Annual Holiday, King's Birthday, Melbourne Cup Day (within the Metropolitan District as defined in the Factories and Shops Acts and the Orders in Council thereunder), Christmas Day, and Boxing Day. Work done on Sundays or on any of the specified public holidays shall be paid for as follows:—

(a) On Sundays—

(i) Time occupied in attending to horses, or in the essential conveyance of fodder for stock . . . Time and a half;
 (ii) All other work Time and three-quarters.

(b) On any of the specified public holidays—

(i) Time occupied in attending to horses, or in the essential conveyance of fodder for stock . . . Time and a half;
 (ii) All other work Double time.

If any other day be substituted by Act of Parliament or Proclamation for any of the above-mentioned holidays, the special rate prescribed shall be payable only for work done on the day so substituted.

TIME WAGES.

9. Any person employed in a factory or shop on time wages for less than the number of hours fixed for an ordinary week's work shall be paid for time worked up to 22 hours as follows:—

(a) in any week in which two or more public holidays occur . . . At the ordinary wages rate with an addition of fifty per centum.
 (b) in any other week At the ordinary wages rate, with an addition of thirty-three and one-third per centum.

For time worked beyond the 22 hours aforesaid, he shall be paid the ordinary wages rate up to but not exceeding the rate prescribed by this Determination for an ordinary week's work, together with any overtime rate which is applicable.

CASUAL LABOUR.

10. Casual hands, i.e., persons who are employed other than in a factory or shop during any week for not more than one-half of the maximum number of hours fixed in this Determination as a week's work shall be paid at the rate of time and a third.

ANNUAL HOLIDAY.

11. The annual holiday shall be as prescribed by the provisions of the *Factories and Shops (Annual Holidays) Act 1946*, No. 5111, and any amendments which may be made thereto from time to time.

SICK LEAVE.

12. (a) No deduction shall be made from the wages of any employee unavoidably absent through illness for not more than 44 hours of working time in any year, provided he has submitted within 24 hours of the commencement of such absence satisfactory evidence that the same is not the result of his own misconduct.

(b) Notwithstanding the provisions of sub-clause (a) hereof, if the full period of sick leave as prescribed above is not taken in any year, such portion as is not taken shall be cumulative from year to year up to a period not exceeding 88 hours of working time which shall be the maximum amount of sick leave to which an employee may be entitled in any year without deduction of pay. For the purposes of this sub-clause, service prior to 1st February, 1947, shall be disregarded.

TERMINATION OF EMPLOYMENT.

13. Except in a case where an employee has been guilty of a misdemeanour, seven days' notice of termination of employment shall be given by either employer or worker. If such notice be not given, a week's wages shall be paid or forfeited, as the case may be, in lieu thereof.

PIECE-WORK.

WOOD OR COAL.

14. The lowest piece-work prices payable to any persons for doing work of a description referred to in the following Schedule shall be—

<i>Cutting Wood.</i>				
4-ft. or over—one cut..	per ton	2s. 6d.
<i>Splitting Wood.</i>				
Box, redgum, or ironbark	per ton (40 cubic feet)..	3s. 2d.
Box, redgum, or ironbark (by weight)..	4s. 5d.
Culled box, redgum, ironbark	5s. 10d.
Blocks (box, redgum, or ironbark)	per truck (Standard I.)	30s. 1d.
1-ft. blocks, common wood	per ton (40 cubic feet)..	2s. 8d.
2-ft. blocks, common wood	2s. 3d.
1-ft. blocks, common wood	per truck (Standard I.)	21s. 8d.
2-ft. blocks, common wood	20s. 7d.
Mallee roots	per ton (by weight)	4s. 6d.
<i>Loading Wood.</i>				
Split box, redgum, or ironbark (culled or otherwise)	per ton (by weight)	9d.
Box blocks	9d.
1-ft. blocks, common wood	per ton (40 cubic feet)..	9d.
2-ft. blocks, common wood	9d.
1-ft. culled common wood	9d.
<i>Unloading Wood or Coal.</i>				
Unloading wood, under 5 feet, from Standard I. truck	per truck	3s. 5d.
Unloading wood, 5 feet or over, from Standard I. truck	3s. 11d.
Unloading wood from Standard I. truck and trimming the stack	5s. 6d.
Unloading coal from trucks	4s. 5d.
Unloading coal from trucks and trimming same	5s. 9d.
<i>Sawing Wood.</i>				
Sawing by hand 2-ft. common wood	per ton (40 cubic feet)..	5s. 0d.
<i>Bagging, Stacking, Carrying, &c.</i>				
Bagging, weighing, and assisting in loading of split wood or blocks	per ton (by weight)	3s. 2d.
Carrying and stacking wood	per truck (Standard I.)	5s. 6d.
<i>Billeting Wood.</i>				
Billeting	per ton (by measurement)	1s. 2d.

NOTE.—To the weekly earnings of each pieceworker the sum of 19s. shall be added, provided that where less than 44 hours are worked in any week, a proportionate amount shall be added in lieu of such sum.

PERIODICAL ADJUSTMENT OF WAGES RATES AND PIECE-WORKERS' EARNINGS.

15. The wages rates set out in clause 2 (i) are based upon the following basic wage rates, and pursuant to the provisions of Section 21 of the *Factories and Shops Act 1934*, the Board hereby determines that such rates and the weekly earnings of piece-workers shall be automatically adjusted as prescribed by clause 16. Provided that the wages of juniors shall be adjusted proportionately to adjustments of the basic wage, such adjustments to be to the nearest 3d., half or less than half of 3d. to be disregarded.

Basic Wage.

Place.	Needs Basic Wage (Adjustable.)	Loading (Constant.)	Total Basic Wage.	Index Number Set Assigned.
Within the area to which this Determination applies.	£ s. d. 5 1 0	s. d. 6 0	£ s. d. 5 7 0	Melbourne

ADJUSTMENT OF BASIC WAGE.

16. (a) For the purposes of this Determination, the expression "Commonwealth Statistician's 'all items' retail price index numbers" or any like expression means the numbers stated to be such index numbers in any document purporting, and not proved to be wrongly so purporting, to be printed by the Commonwealth Government Printer or to be signed by or on behalf of the Commonwealth Statistician.

(b) Until the beginning of the first pay period to commence in May, 1947, the amounts of the Basic Wage shall be as prescribed in clause 15.

(c) During each future successive period beginning with the first pay period to commence in a May, an August, a November, or a February, the amount of the needs basic wage shall be adjusted by the following method, namely, by multiplying the last published Commonwealth Statistician's 'all items' retail price index number by the factor .087 taken to one place of decimals, the resultant whole number being the amount of the basic wage expressed in shillings, but should the decimal number reach .5 or more the basic wage shall be taken to the next higher shilling.

P. A. RANGLES, J.P., Chairman.

J. V. WILLOX, Secretary.

Melbourne, 10th April, 1947.



VICTORIA

GOVERNMENT GAZETTE.

Published by Authority.

[Registered at the General Post Office, Melbourne, for transmission by post as a newspaper.]

No. 301]

TUESDAY, JULY 8.

[1947

Factories and Shops Acts.

DETERMINATION OF THE BRICK TRADE BOARD.

NOTE.—(a) This Determination applies to the whole of the State of Victoria.

(b) On 21st February, 1911, the powers of the Brick Trade Board were extended so that it might fix "the lowest prices or rates which may be paid to any person or persons or classes of persons employed in the process, trade, or business of sand, lime, or cement brickmaking."

In accordance with the provisions of the Factories and Shops Acts the Wages Board appointed to "determine the lowest prices or rates which may be paid to any person or persons or classes of persons employed in the process, trade, or business of brickmaking (including clay-digging)" has made the following Determination, namely:—

1. That as from the beginning of the first pay period to commence on or after the 24th April, 1947, the last previous Determination of this Board shall be revoked and replaced by this Determination.

2.

(a)	Improvers.	Other Employees.	Per Hour.	Wage per Week of 44 Hours.
WAGES.		FIREBRICKS AND TEXTURE BRICKS.		
FIREBRICKS AND TEXTURE BRICKS.		Burners	3 0 ⁹ / ₁₁	135 0
Per Week of 44 Hours.		Crusher attendants who also haul	2 11 ¹⁴ / ₂₃	131 6
<i>s. d.</i>		Crusher attendants who do not haul	2 11 ⁵ / ₁₁	129 0
14 years of age	43 1	Wet or dry pan attendants who do not haul	3 0	132 0
15 " "	44 9	Machine drivers, wire cut attendant, column man, or off-bearers from wire cut machine	2 11 ¹⁹ / ₂₃	131 6
16 " "	47 5	Hand moulders, dressers and cutters	3 1 ⁷ / ₁₁	138 0
17 " "	53 5	Drawers	3 0 ¹⁵ / ₂₂	134 6
18 " "	64 11	Setters	3 1 ⁷ / ₁₁	138 0
19 " "	85 5	Facemen working in a clayhole 25 feet or less in depth	3 2 ⁹ / ₁₁	142 0
20 " "	89 4	All other facemen	3 3 ⁹ / ₁₁	144 0
OTHER BRICKS.		Wheelers of green or burnt bricks	2 11 ¹⁹ / ₂₃	131 6
14 years of age	44 11	Clayhole men (employer to provide tools)	3 1 ¹⁰ / ₁₁	139 0
15 " "	46 9	Pressers	2 11 ¹⁵ / ₂₃	130 6
16 " "	49 5	Loftmen	2 11 ⁵ / ₁₁	130 0
17 " "	55 9	Yardmen and wastemen	2 11 ⁵ / ₁₁	129 0
18 " "	67 7			
19 " "	89 1	OTHER BRICKS.		
20 " "	93 0	Burners	3 0 ⁹ / ₁₁	135 0
Provided that any improver employed as a loft-worker, or at taking off from a single brick machine, be paid not less than 9s. 11d. per week of 44 hours plus an allowance at the rate of 3s. 6d. per week as compensation for time lost through wet weather.		Machine drivers or machine riggers	3 1 ¹⁰ / ₁₁	139 0
Provided also that improvers trucking from a single brick machine or taking off or trucking from a double brick machine shall be paid not less than the rate fixed for truckers.		Wet or dry pan attendants who do not haul	3 1 ⁴ / ₁₁	137 0
Proportion (in any factory or place).		Crusher attendants who do not haul	3 0 ² / ₂₃	135 6
One improver to every eight or fraction of eight employees receiving not less than 12s. per week of 44 hours.		Crusher and wet or dry pan attendants who also haul	3 2 ⁵ / ₁₁	141 0
		Drawers and setters of fancy bricks (other than those employed in Hoffman kilns)	3 2 ⁹ / ₁₁	142 0
		Other drawers	3 3 ⁹ / ₁₁	144 6
		Other setters	3 3 ⁹ / ₂₂	144 6
		Facemen working in a clayhole 25 feet or less in depth	3 4 ¹ / ₁₁	147 0
		All other facemen	3 5 ⁹ / ₁₁	153 0
		Clayhole men (employer to provide tools)	3 3 ⁹ / ₁₁	144 0
		Hand moulders, lime grinders, lime crushers, pressers, sand and lime mixers or silomen	3 2 ¹ / ₂₂	139 6
		Off-bearers from wire cut machines	3 1 ⁵ / ₂₃	136 6
		Truckers	3 1 ⁵ / ₂₃	136 6
		Adults taking off brick machines	3 1 ⁵ / ₂₂	136 6
		Dampers or kiln cleaners	3 1 ⁷ / ₁₁	138 0
		Loftmen	3 0 ⁹ / ₁₁	135 0
		Yardmen and wastemen	3 0 ⁹ / ₁₁	134 0

The Board has determined that no person shall be taken as an apprentice.

(b) The wage rates prescribed in the Other Bricks Section in sub-clause (a) hereof, include the following allowances, as compensation for time lost through wet weather:—

(i) All adults (other than burners) at the rate of 5s. per week of 44 hours.

(ii) Improvers—

14 years of age—at the rate of	1s. 8d.	per week of 44 hours.
15 1s. 8d.	.. 44 ..
16 1s. 10d.	.. 44 ..
17 2s. 0d.	.. 44 ..
18 2s. 6d.	.. 44 ..
19 3s. 3d.	.. 44 ..
20 3s. 5d.	.. 44 ..

TIME OF BEGINNING AND ENDING WORK.

3. For any persons except burners, machine drivers, machine riggers, and pan or crusher attendants—

Time of Beginning.	Time of Ending.
7 a.m.	12 noon on Saturdays, or the day on which the half-holiday is locally observed.
7 a.m.	5.30 p.m. on each of the other five working days of the week.

SPECIAL RATE.

4. Burners on night shift shall be paid 10 per cent. extra for work performed between 6 p.m. and 6 a.m.

OVERTIME.

5. (a) Any employee who works for any time in excess of the ordinary hours of work per day shall be paid for such extra time at the rate of time and a half. Provided that where an employee ordinarily works a five-day week, work done on Saturday shall be deemed to be overtime, and shall be paid for as such, except in the case where an employee is required to work on such Saturday to make up for time lost (except because of Public Holidays) through any circumstances over which the employer had no control. In such an excepted case the employee shall only be entitled to be paid at ordinary rates for the first four hours worked on such Saturday.

(b) Any employee (other than a burner, machine driver, machine rigger, or pan or crusher attendant) who works outside the spread of hours fixed in clause 3 shall be paid for such time at the rate of time and a half.

(c) All work done by machine drivers, machine riggers, and pan or crusher attendants either before the ordinary starting time or after the ordinary finishing time of the factory shall be paid for at the rate of time and a half irrespective of the number of hours worked.

MEAL ALLOWANCE.

6. An employee required to work overtime for more than two hours without being notified the day before that he will be so required to work, shall be paid a meal allowance of 2s. 6d.

SUNDAYS AND HOLIDAYS.

7. Time and a half shall be the special rate for all work done on Sundays, and double time for all work done on New Year's Day, Australia Day, Labour Day, Good Friday, Easter Monday, Anzac Day, King's Birthday, Christmas Day, and Boxing Day; but if any other day be by Act of Parliament or Proclamation substituted for any of the above-named holidays, the special rate shall only be payable for work done on the day so substituted.

PAYMENT FOR HOLIDAYS.

8. All employees shall, as far as practicable, be granted the holidays mentioned in clause 7 without deduction of pay.

PAYMENT OF WAGES.

9. All wages due shall be paid not later than Friday in each week, except where otherwise mutually agreed between employer and employee.

ANNUAL HOLIDAY.

10. The annual holiday shall be as prescribed by the provisions of the *Factories and Shops (Annual Holidays) Act 1946* and any amendments which may be made thereto from time to time.

SICK LEAVE.

11. (a) Where an employee has been in the service of an employer for a period of not less than three months and is disabled by personal ill-health, proof of which sickness is given to the employer by medical certificate or other satisfactory evidence within twenty-four hours of the employee's consequential absence, he shall, on account thereof, be entitled without deduction of pay to absent himself from work for a period not exceeding in the aggregate four days in any year of employment in the industry.

(b) Notwithstanding anything contained in the previous sub-clause if the full period of sick leave as prescribed above is not taken in any year, such portion as is not taken shall, provided an employee remains in the service of the one employer, or any successor of such employer, be cumulative from year to year up to a period not exceeding twenty days, which shall be the maximum amount of leave to which an employee may be entitled in any year of service without deduction of pay.

(c) For the purposes of this clause a year shall be deemed to commence on the 1st July and to end on the next following 30th June.

TERMINATION OF EMPLOYMENT.

12. In any case where it is intended to close down a kiln or kilns or portion or the whole of the works, one week's notice of such intention shall be given to employees whose services are to be terminated; such week's notice shall not apply when the closing of the works is brought about because of any strike or any stoppage of work by any cause for which the employer cannot reasonably be held responsible.

MORNING TEA INTERVAL.

13. A morning tea interval of seven minutes shall be allowed employees each morning during ordinary working hours without deduction of pay, such interval shall be arranged by the employer so as to avoid the necessity for a stoppage of operations in the establishment.

ASSISTANCE FOR TRUCKERS.

14. Persons trucking 75 yards or over shall be supplied with assistance, and any person so assisting shall be paid at trucker's rate.

INJURED EMPLOYEES.

15. In all cases of accidents where it is deemed necessary to send the injured person to a hospital or a doctor he shall be accompanied by an attendant.

FIRST-AID OUTFIT.

16. An adequate first-aid kit and a stretcher shall be provided in the clayhole.

Clause 8 of Chapter 9 of the Regulations under the *Factories and Shops Act 1923* requires that a first-aid ambulance chest shall be kept in some accessible place upon the premises, and that such chest shall be equipped and supplied with the following articles:—

Articles.	Quantities to be kept in Ambulance Chest—
Antiseptic solution	1 bottle
Bandages, cotton and gauze	1 dozen assorted sizes
Castor oil	2 oz.
Iodine, tincture of	2 oz.
Manual, first-aid	1
Petrolatum, carbolized	1 jar
Picric acid solution, made according to the following recipe or prescription:— 1½ teaspoonfuls of powdered picric acid, 2 oz. of absolute alcohol, and 2 pints of distilled water	1 pint
Pins, safety	1 packet
Sal volatile	6 oz.
Scissors	1 pair
Tourniquet	1
Tweezers	1 pair
Cotton, absorbent	An adequate assortment
Gauze, sterilized, plain	
Lint, absorbent	
Plaster, adhesive	

PIREWORK PRICES WHICH MAY BE FIXED BY AN EMPLOYER.

17. The lowest piece-work prices to be paid for bricks, other than firebricks, shall be—

	In Yards where Railway Trucks are used.		In Yards where Railway Trucks are not used.	
	Ordinary Bricks, per 1,000.	Radial or Culvert or Bull-nosed Bricks, per 1,000.	Ordinary Bricks, per 1,000.	Radial or Culvert or Bull-nosed Bricks, per 1,000.
	s. d.	s. d.	s. d.	s. d.
Drawing, wheeling, and stacking where the distance wheeled commencing from the outside wall of kiln at the wicket from which the bricks are drawn is—				
Not more than 26 yards	3 6	3 9½	3 4½	3 8
26 to 36 yards	3 10½	4 2½	3 9	4 0½
36 to 46 yards	4 0½	4 3½	3 11½	4 2½
Over 46 yards	4 7	4 10½	4 5½	4 9

Drawing, wheeling, and loading on railway trucks—

	On Level Surface.		On Up-grade Planks.	
	Ordinary Bricks, per 1,000.	Radial or Culvert or Bull-nosed Bricks, per 1,000.	Ordinary Bricks, per 1,000.	Radial or Culvert or Bull-nosed Bricks, per 1,000.
	s. d.	s. d.	s. d.	s. d.
Not more than 26 yards	4 8	4 11	4 11½	5 2½
26 to 36 yards	5 0½	5 3½	5 3½	5 6½
36 to 46 yards	5 2½	5 5½	5 6	5 8½
Over 46 yards	5 9½	6 0	6 0½	6 3½

	s. d.
Hand-moulding square bricks where material is prepared on the ground within 15 feet of table and off-bearing to grass hacks	23 7
" " " " in sheds	20 4
" " " " from bowling stool and placing on grass hacks (where material is placed on the table)	18 7
" " " " from bowling stool in sheds (where material is placed on the table)	15 3
" " fancy bricks and off-bearing to hacks or in sheds	23 7
" " " " from bowling stool	21 4
Setting	3 9
Picking blues	20 0

An amount at the rate of 5s. per week of 44 hours has been added to the earnings of piece workers as compensation for time lost through wet weather.

PIECE-WORK PRICES FOR BRICKS OTHER THAN FIREBRICKS.

18. The Board determines under the provisions of Section 150 of the *Factories and Shops Act 1928* that any employer may fix and pay piecework prices to any person employed in fire-brick making, or as a clayholeman, machine driver, machine rigger, wheeler of green bricks, or trucker, provided that any such employer shall base such piecework prices on the earnings of an average worker working under like conditions, and such piecework prices shall be fixed so that an average worker can earn not less than the wages rates that are fixed by the Board for such work.

PERIODICAL ADJUSTMENT OF WAGES.

19. The wages rates set out in clause 2 are based upon the following basic wage and, pursuant to the provisions of section 21 of the *Factories and Shops Act 1934*, the Board hereby determines that such rates shall be automatically adjusted as prescribed in clause 20. Provided that proportionate adjustments to the rates for improvers and to the piecework prices shall be made at the same time as follows:—

- (a) In the case of improvers and hand moulding and setting by piecework to the nearest penny, half or less than half of one penny to be disregarded.
- (b) In the case of drawers, wheelers, stackers and loaders by piecework, an increase or decrease of one farthing per 1,000 bricks for every increase or decrease of 1s. in the basic wage.

Basic Wage.

Place.	Needs Basic Wage (Adjustable.)	Loading Constant.	Total Basic Wage.	Index Number Set Assigned.
	£ s. d.	s. d.	£ s. d.	
Throughout the State	5 1 0	6 0	5 7 0	Melbourne

ADJUSTMENT OF BASIC WAGE.

20. (a) For the purposes of this Determination, the expression "Commonwealth Statistician's 'all items' retail price index numbers" or any like expression means the numbers stated to be such index numbers in any document purporting, and not proved to be wrongly so purporting, to be printed by the Commonwealth Government Printer or to be signed by or on behalf of the Commonwealth Statistician.

(b) Until the beginning of the first pay period to commence in May, 1947, the amounts of the Basic Wage shall be as prescribed in clause 19.

(c) During each future successive period beginning with the first pay period to commence in a May, an August, a November, or a February, the amount of the needs basic wage shall be adjusted by the following method, namely, by multiplying the last published Commonwealth Statistician's "all items" retail price index number by the factor .087 taken to one place of decimals, the resultant whole number being the amount of the basic wage expressed in shillings, but should the decimal number reach .5 or more the basic wage shall be taken to the next higher shilling.

A. V. BARNES, J.P., Chairman.

J. W. RYAN, Secretary.

Melbourne, 24th April, 1947.



VICTORIA GOVERNMENT GAZETTE.

Published by Authority.

[Registered at the General Post Office, Melbourne, for transmission by post as a newspaper.]

No. 302]

TUESDAY, JULY 8.

[1947

Factories and Shops Acts.

DETERMINATION OF THE MINERAL EARTHS BOARD.

NOTE.—This Determination applies to the whole of the State of Victoria.

IN accordance with the provisions of the Factories and Shops Acts, the Wages Board appointed " to determine the lowest prices or rates which may be paid to any person or persons or classes of persons employed :—

- (i) in the process, trade, business, or occupation of manufacturing or preparing mineral earths by milling, grinding, or pulverizing rocks, earths, or clays other than mineral ores;
- (ii) in the process, trade, business, or occupation of pulverizing wood;
- (iii) in the process, trade, business, or occupation of manufacturing or preparing any insulating material fabricated from molten stone.

has made the following Determination, namely :—

1. That as from the 9th April, 1947, the last previous Determination of this Board shall be revoked and replaced by this Determination.

PART 1.

Persons OTHER THAN those employed in the process, trade, business, or occupation of manufacturing or preparing any insulating material fabricated from molten stone.

2. WAGES PER WEEK OF 44 HOURS.

(a) IMPROVERS.				(b) OTHER EMPLOYEES.			
			s. d.				s. d.
Under 17 years of age	35	3	Mill attendants	122 0
17 to 18 years of age	62	0	Persons not otherwise provided for, including mill	
18 to 19 years of age	78	9	feeders, baggers, and crusher hands	115 0
19 to 21 years of age	95	3	Leading Hands—	
<i>Proportion (in any place).</i>				Leading hands in charge of not fewer than three and not more than ten employees, 6s. per week extra; more than ten and not more than twenty employees, 12s. per week extra; more than twenty employees, 18s. per week extra.			
One improver to every six adult employees.							

ADDITIONAL PAYMENT.

3. Employees working on milling of coloured pigments shall be paid an additional 1s. 6d. per day for each day, or part thereof, they are so employed.

PROHIBITION OF EMPLOYMENT.

4. The Board determines that no person shall be employed as an apprentice at any work covered by this Part.

HOURS OF EMPLOYMENT (EXCEPT IN THE CASE OF SHIFT WORK).

5. With the exceptions herein set out the ordinary hours of employment shall be 44 per week, to be worked in five days of 8 hours and one day (Saturday) of 4 hours, or five days of 8 hours 48 minutes each, continuously except for meal hour breaks at the discretion of the employer between 7 a.m. and 5.30 p.m. on Monday to Friday inclusive, and 7 a.m. to noon on Saturday

OVERTIME.

6. That all time worked outside ordinary hours except by shift workers shall be paid for at the rate of time and a half for the first three hours' work, and double time thereafter.

SHIFT WORK.

7. (a) The ordinary hours of shift workers shall not exceed—

- (i) 44 in any week, to be worked in five shifts of 8 hours 48 minutes, on Monday to Friday inclusive, or five shifts of eight hours and one shift (Saturday) of four hours; or
- (ii) 88 in fourteen consecutive days, in which case an employee shall not, without payment for overtime, be required to work more than eight consecutive hours on any shift or more than six shifts in any week;
- (iii) 132 in 21 consecutive days, in which case an employee shall not, without payment of overtime, be required to work more than eight consecutive hours on any shift or more than six shifts in any week.

- (b) Such ordinary hours shall be worked continuously except for meal breaks at the discretion of the employer. An employee shall not be required to work for more than six hours without a break for a meal.
- (c) Except at regular change-over of shifts, an employee shall not be required to work more than one shift in each 24 hours.
- (d) Shift workers whilst on afternoon or night shifts shall be paid 10 per cent. more than the ordinary rates for such shifts.
- (e) Subject to this sub-clause, shift workers for all time worked on a Sunday or holiday shall be paid at the rates prescribed by clause 8 of this Part. Where shifts commence between 11 p.m. and midnight on Sundays and/or holidays, the time so worked before midnight shall not entitle the employee to the Sunday or holiday rate: Provided that the time worked by an employee on a shift commencing before midnight on the day preceding a Sunday or holiday and extending into a Sunday or holiday shall be regarded as time worked on such Sunday or holiday.
- (f) Shift workers for all time worked in excess of or outside the ordinary working hours prescribed by this Part or on a shift other than a rostered shift shall—
- (i) if employed on continuous work (as defined), be paid at the rate of double time; or
 - (ii) if employed on other shift work, at the rate of time and a half for the first four hours and double time thereafter except in each case when the time is worked—
 - (iii) by arrangement between the employees themselves;
 - (iv) for the purpose of effecting the customary rotation of shifts; or
 - (v) is due to the fact that the relief man does not come on duty at the proper time.

Provided that when not less than eight hours' notice has been given to the employer by the relief man that he will be absent from work and the employee whom he should relieve is not relieved, the unrelieved employee shall be paid at the rate of time and a half for the first four hours on duty after he has finished his ordinary shift, and at the rate of double time thereafter, except where the employee is required to continue to work on his rostered day off, when he shall be paid double time.

"Continuous work" shall mean work carried on by shifts of at least 12 hours for not less than five consecutive days.

(g) Shift workers who work on any afternoon or night shift which does not continue for at least five successive afternoons or nights in a five-day workshop, or for at least six successive afternoons or nights in a six-day workshop, shall be paid at the rate of time and a half.

(h) A shift worker who, during a period of engagement on shift, works only on night shift and without some regular rotation with some other shift or with day work, shall be paid at the rate of time and a quarter for all time worked during ordinary working hours.

(i) The method of working shifts may in any case be varied by agreement between the employer and the accredited representative of the union to suit the circumstances of the establishment.

HOLIDAYS.

8. (a) All employees, whether in a city or elsewhere, shall be granted the following holidays without deduction of pay:— The days observed as New Year's Day, Australia Day, Good Friday, Easter Saturday, Easter Monday, Labour Day, Anzac Day, King's Birthday, Christmas Day, and Boxing Day.

(b) If any of the above holidays occurs on a Sunday or Saturday and is not observed on any other day, then employees shall not be paid for such Sunday, and shall be paid for such Saturday as for a half day only when the working week consists of five and a half days.

(c) All employees whether in a city or elsewhere, shall be paid for the above holidays an amount for each holiday based on the actual weekly wage paid to them by the employer.

(d) Any employee absenting himself or herself from work on any portion of the working day preceding, or any portion of the working day succeeding a holiday provided for herein, other than Boxing Day and New Year's Day, without permission from the employer or without having reasonable cause for having absented himself or herself from work, shall not be entitled to payment for such holiday.

(e) Any employee who is employed on a Sunday or any holiday provided for herein shall be paid for that day at the rate of double time.

CASUAL EMPLOYEES.

9. Casual employees, namely persons engaged and paid as such, shall receive the appropriate wages rate together with the addition of ten per cent.

ANNUAL HOLIDAY.

10. The annual holiday shall be as prescribed by the provisions of the *Factories and Shops (Annual Holidays) Act 1946* No. 5111, and any amendments which may be made thereto from time to time.

SICK LEAVE.

11. (a) An employee on weekly hiring with not less than three months service with an employer who is absent from his work on account of personal illness, or on account of injury by accident arising out of and in the course of his employment, shall be entitled to leave of absence, without deduction of pay, subject to the following conditions and limitations:—

- (i) He shall not be entitled to paid leave of absence for any period in respect of which he is entitled to Workers' Compensation.
- (ii) He shall prove to the satisfaction of his employer (or in the event of dispute the Secretary for Labour) that he was unable on account of such illness or injury to attend for duty on the day or days for which sick leave is claimed.
- (iii) He shall not be entitled in any year (whether in the employ of one employer or of several) to leave in excess of 44 hours of working time.

For the purpose of administering paragraph (iii) of this sub-clause, an employer may, within two weeks of the employee entering his employment, require an employee to make a sworn declaration or other written statement as to what paid leave of absence he has had from any employer during the then current year; and upon such statement the employer shall be entitled to rely and act.

(b) If the full period of sick leave as prescribed above is not taken in any year such portion as is not taken shall be cumulative from year to year up to a period not exceeding 132 hours of working time, which shall be the maximum amount of leave to which an employee may be entitled in any year without deduction of pay.

(c) Notwithstanding anything contained in sub-clause (a) hereof, an employee suffering injury through an accident arising out of and in the course of his employment (not being an injury in respect of which he is entitled to Workers' Compensation) necessitating his attendance during working hours on a doctor, chemist, or trained nurse, or at a hospital, shall not suffer any deduction from his pay for the time (not exceeding four hours) so occupied on the day of the accident, and shall be reimbursed by the employer all expenses reasonably incurred in connexion with such attendance.

"Year" means the period between the 8th day of May in each year and the next 7th day of May.

CONTRACT OF EMPLOYMENT.

12. (a) All employees (other than casuals) willing, ready and available for work shall be paid the full weekly wage. Any employee not specifically engaged as a casual employee shall be deemed to be employed by the week.

(b) Employment shall be terminated by a week's notice on either side given at any time during the week, or by the payment or forfeiture of a week's wages as the case may be.

(c) The provisions of sub-clauses (a) and (b) hereof shall not effect the right of the employer to dismiss any employee without notice for malingering, inefficiency, neglect of duty or misconduct, and in such cases the wages shall be paid up to the time of dismissal only, or to deduct payment for any day the employee cannot be usefully employed because of any strike, or through any breakdown in machinery or any stoppage of work by any cause for which the employer cannot reasonably be held responsible.

PAYMENT OF WAGES.

13. Wages shall be paid not later than Thursday in each week.

RESPIRATORS.

14. When engaged at rock-crushing mills or any place where the inhalation of dust or other matter is likely to occur, employees shall be provided, free of charge, with suitable and efficient respirators.

SHOWERS.

15. The employer shall provide hot and cold shower baths for the employees' use.

WASHING TIME.

16. Persons employed on milling of coloured pigments shall be allowed ten minutes, and other employees five minutes, at the end of each day or shift, as washing time.

RIGHT OF ENTRY OF UNION OFFICIAL.

17. (a) For the purpose of interviewing employees on legitimate union business, a duly accredited union representative shall have the right to enter employers' premises during the midday meal break on the following conditions:—

- (i) That he produces his authority to the gatekeeper or such other person as may be appointed by the employer.
- (ii) That he interviews employees only at places where they are taking their meal.
- (iii) That not more than one representative of each of not more than three unions be on the premises at any one time.
- (iv) That no one representative visit the premises more than once in each week.
- (v) That if any employer alleges that a representative is unduly interfering with his work or is creating dissatisfaction amongst his employees, or is offensive in his methods, or is committing a breach of any of the previous conditions, such employer may refuse the right of entry, but the representative shall have the right to bring such refusal before the Secretary for Labour.

Provided that where certain employees are working under a system of shift-work which precludes a representative from interviewing them during the midday meal break, the representative shall have the right to enter the employer's premises for the purpose of interviewing such employees at such time and under such conditions as to notice as may be mutually arranged by the representative and the employer or, failing agreement at such times, and under such conditions as the Secretary for Labour may decide.

(b) For the purpose of investigating complaints concerning the application of this Part, a duly accredited union representative shall be afforded reasonable facilities for entering an employer's workshop or plant during working hours, subject to the following conditions:—

- (i) That he discloses to the employer or his representative the complaint which he desires to investigate;
- (ii) that he makes his investigations in the presence of the employer or his representative (if the employer so desires);
- (iii) that he does not interfere with work proceeding in the workshop or plant;
- (iv) that he conducts himself properly.

(c) A union representative shall be a duly accredited representative of an organization bound by this Part if he be the holder for the time being of a certificate, signed by the general secretary of that organization and bearing the seal of that organization, in the following form, or in a form not materially differing therefrom:—

This is to certify that
organization. (Name of organization.) is a duly accredited representative of the abovenamed organization.

Seal.

General Secretary.

Date:—

Specimen signature of holder.

Strictly not transferable.

PART 2.

Persons employed in the process, trade, business, or occupation of manufacturing or preparing any insulating material fabricated from molten stone.

18. WAGES PER WEEK OF 44 HOURS.

(a) Improvers.				(b) Other Employees.			
Males.		s. d.		Males.		s. d.	
Under 17 years of age	35	3	Leading charging hand	145	0
17 to 18 years of age	62	0	Assistant charging hand	126	6
18 to 19 years of age	78	9	Notcher	144	0
19 to 21 years of age	95	3	Oven hands	135	6
				Process worker (including taker off conveyor or granulator attendant)	123	0
<i>Females.</i>				<i>Note:—The above rates include an allowance of 7½ per cent. for all shifts.</i>			
Under 16 years of age	26	6	<i>Females.</i>			
16 to 17 years of age	34	6	Adult females	76	9
17 to 18 years of age	38	6				
18 to 19 years of age	44	9				
19 to 20 years of age	50	6				
20 to 21 years of age	57	0				
PROPORTION (IN ANY PLACE).							
<i>Males.</i>							
One male improver to every six adult employees.							
<i>Females.</i>							
One female improver to every four or fraction of four female workers receiving not less than the adult female rate.							

PROHIBITION OF EMPLOYMENT.

19. The Board determines that no person shall be employed as an apprentice at any work covered by this Part.

HOURS OF EMPLOYMENT (EXCEPT IN THE CASE OF SHIFT WORK).

20. With the exceptions herein set out the ordinary hours of employment shall be 44 per week, to be worked in five days of 8 hours and one day (Saturday) of 4 hours, or five days of 8 hours 48 minutes each, continuously except for meal hour breaks at the discretion of the employer between 7 a.m. and 5.30 p.m. on Monday to Friday inclusive, and 7 a.m. to noon on Saturday.

OVERTIME.

21. That all time worked outside ordinary hours except by shift workers shall be paid for at the rate of time and a half for the first three hours' work, and double time thereafter.

SHIFT WORK.

22. (a) The ordinary hours of shift workers shall not exceed—

(i) 44 in any week, to be worked in five shifts of 8 hours 48 minutes, on Monday to Friday inclusive, or five shifts of eight hours and one shift (Saturday) of four hours; or

(ii) 88 in fourteen consecutive days, in which case an employee shall not, without payment for overtime, be required to work more than eight consecutive hours on any shift or more than six shifts in any week;

(iii) 132 in 21 consecutive days, in which case an employee shall not, without payment of overtime, be required to work more than eight consecutive hours on any shift or more than six shifts in any week.

(b) Such ordinary hours shall be worked continuously except for meal breaks at the discretion of the employer. An employee shall not be required to work for more than six hours without a break for a meal.

(c) Except at regular change-over of shifts, an employee shall not be required to work more than one shift in each 24 hours.

(d) Subject to this sub-clause, shift workers for all time worked on a Sunday or holiday shall be paid at the rates prescribed by clause 23 of this Part. Where shifts commence between 11 p.m. and midnight on Sundays and/or holidays, the time so worked before midnight shall not entitle the employee to the Sunday or holiday rate: Provided that the time worked by an employee on a shift commencing before midnight on the day preceding a Sunday or holiday and extending into a Sunday or holiday shall be regarded as time worked on such Sunday or holiday.

(e) Shift workers for all time worked in excess of or outside the ordinary working hours prescribed by this Part or on a shift other than a rostered shift shall—

(i) if employed on continuous work, be paid at the rate of double time; or

(ii) if employed on other shift work, at the rate of time and a half for the first four hours and double time thereafter; except in each case when the time is worked—

(iii) by arrangement between the employees themselves;

(iv) for the purpose of effecting the customary rotation of shifts; or

(v) is due to the fact that the relief man does not come on duty at the proper time.

Provided that when not less than eight hours' notice has been given to the employer by the relief man that he will be absent from work and the employee whom he should relieve is not relieved, the unrelieved employee shall be paid at the rate of time and a half for the first four hours on duty after he has finished his ordinary shift, and at the rate of double time thereafter, except where the employee is required to continue to work on his rostered day off, when he shall be paid double time.

(f) Shift workers who work on any afternoon or night shift which does not continue for at least five successive afternoons or nights in a five-day workshop, or for at least six successive afternoons or nights in a six-day workshop, shall be paid at the rate of time and a half.

(g) A shift worker who, during a period of engagement on shift, works only on night shift and without some regular rotation with some other shift or with day work, shall be paid at the rate of time and a quarter for all time worked during ordinary working hours.

(h) The method of working shifts may in any case be varied by agreement between the employer and the accredited representative of the union to suit the circumstances of the establishment.

HOLIDAYS.

23. (a) All employees, whether in a city or elsewhere, shall be granted the following holidays without deduction of pay:—The days observed as New Year's Day, Australia Day, Good Friday, Easter Saturday, Easter Monday, Labour Day, Anzac Day, King's Birthday, Christmas Day, and Boxing Day.

(b) If any of the above holidays occurs on a Sunday or Saturday and is not observed on any other day, then employees shall not be paid for such Sunday, and shall be paid for such Saturday as for a half day only when the working week consists of five and a half days.

(c) All employees whether in a city or elsewhere, shall be paid for the above holidays an amount for each holiday based on the actual weekly wage paid to them by the employer.

(d) Any employee absenting himself or herself from work on any portion of the working day preceding, or any portion of the working day succeeding a holiday provided for herein, other than Boxing Day and New Year's Day, without permission from the employer or without having reasonable cause for having absented himself or herself from work, shall not be entitled to payment for such holiday.

(e) Any employee who is employed on a Sunday or any holiday provided for herein shall be paid for that day at the rate of double time.

CASUAL EMPLOYEES.

24. Casual employees, namely persons engaged and paid as such, shall receive the appropriate wages rate together with the addition of ten per cent.

ANNUAL HOLIDAYS.

25. The annual holiday shall be as prescribed by the provisions of the *Factories and Shops (Annual Holidays) Act 1946*, No. 5111, and any amendments which may be made thereto from time to time.

SICK LEAVE.

26. (a) An employee on weekly hiring with not less than three months' service with an employer who is absent from his work on account of personal illness, or on account of injury by accident arising out of and in the course of his employment, shall be entitled to leave of absence, without deduction of pay, subject to the following conditions and limitations:—

(i) He shall not be entitled to paid leave of absence for any period in respect of which he is entitled to Workers' Compensation.

(ii) He shall prove to the satisfaction of his employer (or in the event of dispute the Secretary for Labour) that he was unable on account of such illness or injury to attend for duty on the day or days for which sick leave is claimed.

(iii) He shall not be entitled in any year (whether in the employ of one employer or of several) to leave in excess of 44 hours of working time.

For the purpose of administering paragraph (iii) of this sub-clause, an employer may, within one month of this Determination coming into operation or within two weeks of the employee entering his employment, require an employee to make a sworn declaration or other written statement as to what paid leave of absence he has had from any employer during the then current year; and upon such statement the employer shall be entitled to rely and act.

(b) If the full period of sick leave as prescribed above is not taken in any year such portion as is not taken shall be cumulative from year to year up to a period not exceeding 132 hours of working time, which shall be the maximum amount of leave to which an employee may be entitled in any year without deduction of pay.

(c) Notwithstanding anything contained in sub-clause (a) hereof, an employee suffering injury through an accident arising out of and in the course of his employment (not being an injury in respect of which he is entitled to Workers' Compensation) necessitating his attendance during working hours on a doctor, chemist, or trained nurse, or at a hospital, shall not suffer any deduction from his pay for the time (not exceeding four hours) so occupied on the day of the accident, and shall be reimbursed by the employer all expenses reasonably incurred in connexion with such attendance.

"Year" means the period between the 8th day of May in each year and the next 7th day of May.

CONTRACT OF EMPLOYMENT.

27. (a) All employees (other than casuals) willing, ready and available for work shall be paid the full weekly wage. Any employee not specifically engaged as a casual employee shall be deemed to be employed by the week.

(b) Employment shall be terminated by a week's notice on either side given at any time during the week, or by the payment or forfeiture of a week's wages as the case may be.

(c) The provisions of sub-clauses (a) and (b) hereof shall not effect the right of the employer to dismiss any employee without notice for malingering, inefficiency, neglect of duty or misconduct, and in such cases the wages shall be paid up to the time of dismissal only, or to deduct payment for any day the employee cannot be usefully employed because of any strike, or through any breakdown in machinery or any stoppage of work by any cause for which the employer cannot reasonably be held responsible.

PAYMENT OF WAGES.

28. Wages shall be paid not later than Thursday in each week.

RESPIRATORS.

29. When engaged at rock-crushing mills or any place where the inhalation of dust or other matter is likely to occur employees shall be provided, free of charge, with suitable and efficient respirators.

SHOWERS.

30. The employer shall provide hot and cold shower baths for the employees' use.

WASHING TIME.

31. Employees shall be allowed five minutes, at the end of each day or shift, as washing time.

RIGHT OF ENTRY OF UNION OFFICIAL.

32. (a) For the purpose of interviewing employees on legitimate union business, a duly accredited union representative shall have the right to enter employer's premises during the midday meal break on the following conditions:—

(i) That he produces his authority to the gatekeeper or such other person as may be appointed by the employer.

(ii) That he interviews employees only at places where they are taking their meal.

(iii) That not more than one representative of each of not more than three unions be on the premises at any one time.

(iv) That no one representative visit the premises more than once in each week.

(v) That if any employer alleges that a representative is unduly interfering with his work or is creating dissatisfaction amongst his employees, or is offensive in his methods, or is committing a breach of any of the previous conditions, such employer may refuse the right of entry, but the representative shall have the right to bring such refusal before the Secretary for Labour.

Provided that where certain employees are working under a system of shift-work which precludes a representative from interviewing them during the midday meal break, the representative shall have the right to enter the employer's premises for the purpose of interviewing such employees at such time and under such conditions as to notice as may be mutually arranged by the representative and the employer or, failing agreement at such times, and under such conditions as the Secretary for Labour may decide.

(b) For the purpose of investigating complaints concerning the application of this Part, a duly accredited union representative shall be afforded reasonable facilities for entering an employer's workshop or plant during working hours, subject to the following conditions:—

(i) That he discloses to the employer or his representative the complaint which he desires to investigate;

(ii) that he makes his investigations in the presence of the employer or his representative (if the employer so desires);

(iii) that he does not interfere with work proceeding in the workshop or plant;

(iv) that he conducts himself properly.

(c) A union representative shall be a duly accredited representative of an organization bound by this Part if he be the holder for the time being of a certificate, signed by the general secretary of that organization and bearing the seal of that organization, in the following form, or in a form not materially differing therefrom:—

This is to certify that _____ (Name of organization.) is a duly accredited representative of the abovenamed organization.

Seal.
Specimen signature of holder.

Date— _____ General Secretary.

Strictly not transferable.

PART 3.

Wage adjustment provisions applicable to Part 1 and Part 2

PERIODICAL ADJUSTMENT OF WAGES.

33. The wages rates set out in clause 2 of Part 1 and clause 18 of Part 2 are based upon the following basic wage rates and, pursuant to the provisions of Section 21 of the *Factories and Shops Act 1934*, the Board hereby determines that such rates shall be automatically adjusted as prescribed by clause 34 provided that the wages of females and improvers whosoever appearing shall be adjusted proportionately to adjustments of the basic wage—such adjustments to be to the nearest 3d., half or less than half of 3d. to be disregarded.

Basic Wage.

Place.	Needs Basic Wage.	Loading Constant.	Total Basic Wage.	Index Number Set Assigned.
	£ s. d.	s. d.	£ s. d.	
Throughout the State	5 1 0	6 0	5 7 0	Melbourne

ADJUSTMENT OF BASIC WAGE.

34. (a) For the purposes of this Determination the expression "Commonwealth Statistician's "all items" retail price index numbers" or any like expression means the numbers stated to be such index numbers in any document purporting, and not proved to be wrongly so purporting, to be printed by the Commonwealth Government Printer or to be signed by or on behalf of the Commonwealth Statistician.

(b) Until the beginning of the first pay period to commence in May, 1947, the amounts of the basic wage shall be as prescribed in clause 33.

(c) During each future successive period beginning with the first pay period to commence in a May, an August, a November, or a February, the amount of the basic wage shall be adjusted by the following method, namely, by multiplying the last published Commonwealth Statistician's "all items" retail price index number by the factor .087 taken to one place of decimals, the resultant whole number being the amount of the basic wage expressed in shillings, but should the decimal number reach .5 or more the basic wage shall be taken to the next higher shilling.

P. A. RANDES, J.P., Chairman.

J. V. WILLOX, Secretary.

Melbourne, 9th April, 1947.



VICTORIA GOVERNMENT GAZETTE.

Published by Authority.

[Registered at the General Post Office, Melbourne, for transmission by post as a newspaper.]

No. 303]

TUESDAY, JULY 8.

[1947

Factories and Shops Acts.

DETERMINATION OF THE TENNIS STRINGS BOARD.

NOTE.—This Determination applies to the whole of the State of Victoria.

In accordance with the provisions of the Factories and Shops Acts the Wages Board appointed to determine the lowest prices or rate which may be paid to any person or persons or classes of persons employed in the process, trade, or business of making strings for tennis rackets, has made the following Determination, namely:—

1. That as from the beginning of the first pay period to commence on or after the 16th May, 1947, the last previous Determination of this Board shall be revoked and replaced by this Determination.

2.

APPRENTICES OR IMPROVERS.			JUVENILE WORKERS.		OTHER EMPLOYEES.		
Wages per Week of 44 Hours.			Wages per Week of 44 Hours.		Wages per Week of 44 Hours.		
Age.	Males.	Females.	Males.	Females.			
	<i>s. d.</i>	<i>s. d.</i>	<i>s. d.</i>	<i>s. d.</i>	<i>s. d.</i>		
Under 17 years	43 6	43 6	43 6	43 6	Males	134 6	
17 years and under 18 years	58 3	51 3	58 3	51 3	Females	82 6	
18 " " 19 " "	73 0	58 0					
19 " " 20 " "	87 9	66 0					
20 " " 21 " "	101 9	73 0					
<p>PROPORTION (IN ANY PLACE).</p> <p><i>Apprentices.</i></p> <p>One apprentice to every three or fraction of three workers receiving not less than 134s. 6d. per week of 44 hours.</p> <p><i>Improvers (Males).</i></p> <p>Four improvers to each male worker receiving not less than 134s. 6d. per week of 44 hours.</p> <p><i>Females.</i></p> <p>Two improvers to each female worker receiving not less than 82s. 6d. per week of 44 hours.</p>			<p><i>Definition of Juvenile Workers.</i></p> <p>Persons other than apprentices or improvers under 18 years of age doing general work, i.e., all work except—</p> <p>(a) picking out or selecting.</p> <p>(b) making in the raw state.</p> <p>(c) twisting in the dry state.</p>		<p>PROPORTION (IN ANY PLACE).</p> <p><i>Males.</i></p> <p>Six juvenile workers to each worker receiving not less than 134s. 6d. per week of 44 hours.</p> <p><i>Females.</i></p> <p>Three juvenile workers to each worker receiving not less than 82s. 6d. per week of 44 hours.</p>		

ORDINARY WEEK'S WORK.

3. Forty-four hours shall constitute an ordinary week's work which may be worked in five or five and a half days as follows:—

On the day on which the half holiday is usually observed	Between 7.15 a.m. and 12 noon.
On all other working days of the week	Between 7.15 a.m. and 5.30 p.m.

OVERTIME.

That the following rates shall be paid for all work done:—

4. (a) Outside the hours fixed in clause 3	Time and a half. Excepting after 12 noon on the day on which the half-holiday is usually observed when the rate shall be double time.
(b) Within the hours fixed in clause 3 in excess of either—				} Time and a half.
(1) The number of hours fixed as a day's work; or				
(2) The number of hours fixed as a week's work				

MEAL INTERVAL.

5. That a meal interval of at least half an hour shall be allowed to employees between the hours of 12 noon and 2 p.m.

SMOKO INTERVAL.

6. Employees shall be allowed 15 minutes smoko each forenoon and afternoon without deduction of pay.

PAYMENT FOR HOLIDAYS.

7. All employees shall be entitled to the following holidays without deduction of pay:—New Year's Day, Butchers' Picnic Day, Australia Day, Labour Day, Good Friday, Easter Saturday, Easter Monday, Anzac Day, Melbourne Cup Day, Christmas Day, and Boxing Day.

SPECIAL RATES.

8. Double time shall be the rate to be paid for all work done on Sunday, New Year's Day, Butchers' Picnic Day, Australia Day, Labour Day, Good Friday, Easter Saturday, Easter Monday, Melbourne Cup Day, Christmas Day, and Boxing Day, but if any other day be by Act of Parliament or Proclamation substituted for any of the above-named holidays, then the special rate shall be payable only for the day so substituted.

SICK LEAVE.

9. (a) Any employee, provided he has had at least three months' continuous service with the same employer, shall lose his pay for the actual time of such non-attendance unless he produces or forwards within twenty-four hours of the commencement of such absence evidence satisfactory to his employer that his non-attendance was due to personal accident arising out of and in the course of his employment or to personal ill-health necessitating such absence.

(b) Provided that an employee shall not be entitled to payment for non-attendance on the ground of personal accident or ill-health or both for more than forty-four hours of working time in each year of employment.

(c) Notwithstanding the provisions of sub-clause (b) hereof, if the full period of sick leave as prescribed above is not taken in any year, such portion as is not taken shall be cumulative from year to year up to a period not exceeding eighty-eight hours of working time, which shall be the maximum amount of leave to which an employee may be entitled in any year without deduction of pay.

For the purposes of this sub-clause service prior to 18th May, 1945, shall be disregarded.

ANNUAL HOLIDAY.

10. The annual holiday shall be as prescribed by the provisions of the *Factories and Shops (Annual Holidays) Act 1946*, No. 5111, and any amendments which may be made thereto from time to time.

(In his or her own interests each employer of labour should obtain a copy of the above Act which may be purchased from the Government Printer, Melbourne, at a cost of 9s., plus postage.)

NOTICE OF INTENTION TO WORK OVERTIME.

11. (a) In every case where practicable an employer shall give twenty-four hours' notice to each employee of his intention to work such employee overtime. In each case where such notice has not been given and the employee is required to work overtime, he or she shall receive Two shillings as tea money in addition to any other special payments provided.

(b) In every case where an employee has been notified that he or she is required to work overtime and attends for that purpose but is not required, he or she shall be paid Two shillings tea money, except where the failure to find employment is due to the accidental breakdown of necessary machinery.

NOTICE OF TERMINATION OF EMPLOYMENT.

12. All employment shall be on a weekly basis and shall be terminated only by a week's notice on either side, and such notice may be given at any time during the week. In lieu of such week's notice the employer may pay a week's wages and/or the employee leaving his or her employment without giving notice shall forfeit a week's wages which may be deducted from any wages due. This shall not affect the right of the employer to dismiss any employee for malingering, inefficiency, neglect of duty, or misconduct, in which case wages shall be paid up to the time of dismissal only;

Provided that an employer may deduct payment for any day upon which the employee cannot be usefully employed by reason of any strike, breakdown of machinery or other cause for which the employer cannot reasonably be held responsible.

TERMS OF EMPLOYMENT.

13. Where the employer terminates the employment of an employee, for reasons other than misconduct, within two weeks prior to a day or days on which a holiday or holidays occur, and such employee is re-engaged within a period of two weeks immediately after such holiday or holidays, the employee shall be paid for such holiday or holidays prescribed by this Determination, provided that such employee has been employed by the employer for a period of at least two months prior to the termination of employment.

WATERPROOF CLOTHING.

14. When an employee is called upon to work in a wet department he shall be provided by the employer with a waterproof apron and waterproof covering for his legs and when using dyes or acids injurious to the skin shall be provided with rubber gloves.

DISINFECTANT TO BE SUPPLIED.

15. The employer shall provide ample quantities of hot water, soap and disinfectant for the use of employees.

RIGHT OF ENTRY.

16. A duly accredited representative of the Australasian Meat Industry Employees' Union shall have the right to enter employers' premises during the meal hour for the purpose of interviewing employees on legitimate Union business on the following conditions:—

- (a) That he produces his authority to the manager or such other person as may be appointed by the employer;
- (b) That he interviews employees only at the place where they are taking their meal;
- (c) That not more than one representative visit the premises at any one time;
- (d) That not more than one representative visits the same premises more than once in a week; and
- (e) That if any employer alleges that a representative is unduly interfering with his business or is creating dis-affection amongst his employees or is offensive in his methods or is committing a breach of any of the previous conditions such employer may refuse the right of entry but the representative shall have the right to bring such refusal to the Wages Board.

PERIODICAL ADJUSTMENT OF WAGES.

17. The wages rates set out in clause 2 are based upon the following basic wage rates, and, pursuant to the provisions of section 21 of the *Factories and Shops Act 1934*, the Board hereby determines that such rates shall be automatically adjusted as prescribed in clause 18. Provided that the wages of apprentices, improvers, juvenile workers and of females, shall be adjusted proportionately to adjustments of the basic wage, such adjustments to be to the nearest 3d., half or less than half of 3d. to be disregarded.

Basic Wage.

Place.	Needs Basic Wage.	Loading Constant.	Total Basic Wage.	Index Number Set Assigned.
Throughout the State	£ s. d. 5 1 0	s. d. 6 0	£ s. d. 5 7 0	Melbourne

ADJUSTMENT OF BASIC WAGE.

18. (a) For the purposes of this Determination, the expression "Commonwealth Statistician's 'all items' retail price index numbers" or any like expression means the numbers stated to be such index numbers in any document purporting, and not proved to be wrongly so purporting, to be printed by the Commonwealth Government Printer or to be signed by or on behalf of the Commonwealth Statistician.

(b) Until the beginning of the first pay period to commence in August, 1947, the amounts of the Basic Wage shall be as prescribed in clause 17.

(c) During each future successive period beginning with the first pay period to commence in an August, a November, a February, or a May, the amount of the needs basic wage shall be adjusted by the following method, namely, by multiplying the last published Commonwealth Statistician's "all items" retail price index number by the factor .087 taken to one place of decimals, the resultant whole number being the amount of the basic wage expressed in shillings, but should the decimal number reach .5 or more the basic wage shall be taken to the next higher shilling.

P. A. RANGLES, J.P., Chairman.

J. V. WILLOX, Secretary.

Melbourne, 2nd May, 1947.

1. Introduction

2. Method

3. Results

4. Discussion

5. Conclusion

6. References

7. Appendix

8. Index

9. Glossary

10. Notes

11. Acknowledgements

12. Author Biographies

13. Correspondence

14. Contact Information

15. Copyright

16. Disclaimer

17. Privacy Policy

18. Terms of Use

19. About Us

20. Contact Us

21. Help

22. Feedback



VICTORIA GOVERNMENT GAZETTE.

Published by Authority.

[Registered at the General Post Office, Melbourne, for transmission by post as a newspaper.]

No. 304]

TUESDAY, JULY 8.

[1947.

Factories and Shops Acts.

DETERMINATION OF THE WOODWORKERS BOARD.

NOTE.—This Determination applies to the whole of the State of Victoria.

IN accordance with the provisions of the Factories and Shops Acts the Wages Board, which, since the 16th day of August, 1937, has had power to determine the lowest prices or rates which may be paid to any persons (other than persons under the jurisdiction of the Carpenters Board, Agricultural Implements Board, Country Agricultural Implements Board, Furniture Board, Shops Board No. 12 (Fuel and Fodder), or Shops Board No. 13 (Fuel and Fodder, Country), or persons engaged in ship or boat building, or the erection of bridges, wharfs, or similar structures), employed as—

- (a) box-makers;
- (b) stackers, sorters, loaders, or unloaders of sawn, hewn, or split timber or logs;
- (c) sawmill, timber-yard, timber-seasoning plant, box factory, or joiners' workshop employees (other than carpenters or joiners);
- (d) builders of tramways for the conveyance of logs or timber;
- (e) timber fellers, hewers, or splitters wheresoever employed;
- (f) forest workers conveying timber to a sawmill;
- (g) workers conveying timber from a sawmill by tramway;
- (h) woodworkers making articles not under the jurisdiction of any Wages Board heretofore appointed or hereafter to be appointed—

has made the following Determination namely:—

1. That as from the beginning of the first pay period to commence on or after the 1st December, 1946, the last previous Determination of this Board shall be revoked and replaced by this Determination.

WAGES PER WEEK OF 44 HOURS.

(i) Until the beginning of the first pay period to commence in February, 1947.

2. (a) *Adult Employees (except males and females engaged in the making of sporting goods).*

	Employed in the Bush or in Bush Sawmills or in Log Sawmills.	Employed—(a) Within 20 Miles of G.P.O., Melbourne; (b) Within 10 Miles of G.P.O., Geelong; (c) in Mildura and Gippsland Districts; (d) at Warrnambool. (Except in the Bush and at Bush Sawmills.)		Employed in all Other Districts of Victoria. (Except in the Bush or in Bush Sawmills or in Log Sawmills.)
		£ s. d.	£ s. d.	
(1) Axeman employed using chopping axe taking off bark and bumps from logs for use in veneer mills	5 13 0	5 14 0	5 11 0	
(2) Blacksmith	6 15 0	6 16 0	6 13 0	
(3) Boxes, crates, and/or cases—				
Breaking up	5 14 0	5 15 0	5 12 0	
Finishing	5 18 0	5 19 0	5 16 0	
Hoop-ironing and/or wiring (bench hand)	6 2 0	6 3 0	6 0 0	
Making and/or repairing (manual)	6 2 0	6 3 0	6 0 0	
(4) Brakesman on log or timber truck	6 1 0			
(5) Broad axeman and/or adzeman	6 17 0	6 18 0	6 15 0	
(6) Bulldozer driver	6 15 0	6 16 0	6 13 0	
(7) Crane attendant or dogman—				
(a) working up to a height of 40 feet	5 14 0	5 15 0	5 12 0	
(b) working at a height of over 40 feet	5 16 0	5 17 0	5 14 0	

WAGES PER WEEK OF 44 HOURS.

2. (a) Adult Employees (except males and females engaged in the making of sporting goods)—continued.

	Employed in the Bush or in Bush Sawmills or in Log Sawmills.	Employed—(a) Within 20 Miles of G.P.O., Melbourne; (b) Within 10 Miles of G.P.O., Geelong; (c) in Mildura and Gippsland Districts; (d) at Warrambool. (Except in the Bush and at Bush Sawmills.)		Employed in all Other Districts of Victoria. (Except in the Bush or in Bush Sawmills or in Log Sawmills.)
		£ s. d.	£ s. d.	
(8) Driver—				
(a) Bullock team, bush	6 10 0			
(b) Caterpillar or similar type tractor	6 6 6			
(i) A tractor driver who in the course of his duties is required by his employer to perform mechanical and/or repair work exclusive of ordinary servicing shall be paid an additional 6s. per week.				
(c) Horse (bush)—				
(i) Driver of one or two horses	5 16 0			
(ii) Driver of three horses	6 0 0			
(iii) Driver of more than three horses	6 3 0			
(iv) Driver grooming and feeding one or two horses outside ordinary hours—1s. per day extra and 1s. for Sunday.				
(v) Driver grooming and feeding more than two horses outside ordinary hours, 2s. per day extra and 2s. for Sunday.				
(9) Elevator and/or piler man in connexion with stacking or unstacking timber	5 15 0	5 16 0	5 13 0	
(10) Faller	6 8 0			
(11) Faller—Head (as defined)	6 17 0			
(12) Glazier—1st class (as defined)	6 12 0	6 13 0	6 10 0	
All others	6 1 0	6 2 0	5 19 0	
(13) Grinder, whose principal duty is grinding knives and cutters	6 13 0	6 14 0	6 11 0	
(14) Guard (as defined)	6 8 0	6 9 0	6 6 0	
(15) Hookman	5 16 0	5 17 0	5 14 0	
(16) Kiln operator (as defined)	6 4 0	6 5 0	6 2 0	
(17) Labourer, experienced (as defined)	5 8 0	5 9 0	5 6 0	
(18) Landing builder or repairer	5 16 0	5 17 0	5 14 0	
(19) Landing builder or repairer (man in charge of)	6 3 0	6 4 0	6 1 0	
(20) Loading or turning sleepers over 5 feet long	5 15 6	5 16 6	5 13 6	
(21) Loading logs	5 15 6	5 16 6	5 13 6	
(22) Log chuteman	5 16 0	5 17 0	5 14 0	
(23) Log conveyorman	5 16 0	5 17 0	5 14 0	
(24) Log yardman	5 16 0	5 17 0	5 14 0	
(25) Machinists operating the following:—				
(a) Slicer, shaper, Boulton's carver, general joiner, wood turner, router working freehand, buzzer and/or jointer (using other than straight irons), Lindemann gluer and joiner	6 15 0	6 16 0	6 13 0	
(i) Shaper machinist employed in box and case making, grooving and/or slotting with jigs who sets up his machine but is never required to grind his knives or cutters	6 3 0	6 4 0	6 1 0	
(ii) Shaper machinist employed in box and case making, grooving and/or slotting with jigs who is never required to set up his machine or to grind his knives or cutters but is merely an operator	5 16 0	5 17 0	5 14 0	
(b) Routing machine where the machinist works from templates, dies and jigs and is ever required to set up his machine and grind his knives and cutters and then only from such time as he is required so to act	6 4 0	6 5 0	6 2 0	
(i) Routing machine where the machinist works from templates, dies and jigs and is ever required to set up and operate his machine but who is not required to grind his knives and cutters	6 0 0	6 1 0	5 18 0	
(c) Any automatic lathe (including variety turning, copying, spoke-turning or any other) where the machinist is ever required to set up his machine and grind his own knives and cutters and then only from such time as he is required so to act	6 15 0	6 16 0	6 13 0	
(i) Any automatic lathe (excluding copying and spoke turning) where the machinist is ever required to set up and operate his machine but is not required to grind his knives and cutters	6 8 0	6 9 0	6 6 0	
(ii) Any automatic copying or spoke-turning lathe where the machinist is ever required to set up and operate his machine but is not required to grind his knives and cutters	6 4 0	6 5 0	6 2 0	
(d) Moulding machine where the machinist is ever required to set up his machine and grind his knives and cutters and then only from such time as he is required so to act	6 11 0	6 12 0	6 9 0	
(e) Moulding machine where the machinist has not been required to grind his knives and cutters but is at any time required to set up his machine and then only from such time as he is required so to act	6 4 0	6 5 0	6 2 0	
(f) Moulding machine, where the machinist is never required to set up his machine nor to grind his knives and cutters, but is merely an operator	5 14 0	5 15 0	5 12 0	

WAGES PER WEEK OF 44 HOURS.

2. (a) Adult Employees (except males and females engaged in the making of sporting goods)—continued.

	Employed in the Bush or in Bush Sawmills or in Log Sawmills.	Employed—(a) Within 20 Miles of G.P.O., Melbourne; (b) Within 10 Miles of G.P.O., Geelong; (c) in Mildura and (Gippsland Districts; (d) at Warrnambool. (Except in the Bush and at Bush Sawmills.)	Employed in all Other Districts of Victoria. (Except in the Bush or in Bush Sawmills or in Log Sawmills.)
	£ s. d.	£ s. d.	£ s. d.
(g) Planing machine (one, two, three or more heads) where the machinist is ever required to set up his machine and grind his knives and cutters, and then only from such time as he is required so to act	6 9 0	6 10 0	6 7 0
(h) Any machine in the last preceding paragraph (other than a single-sided planer in case of box-making) where the machinist has not been required to grind his knives and cutters but is at any time required to set up his machine, and then only from such time as he is required so to act	6 2 0	6 3 0	6 0 0
(i) Planing machine where the machinist is ever required to grind his knives and cutters but is not required to set up his machine	6 6 0	6 7 0	6 4 0
(j) Relisher or tenoning machine where the machinist is ever required to set up his machine and grind his knives and cutters, and then only from such time as he is required so to act	6 8 0	6 9 0	6 6 0
(k) Relisher or tenoning machine (other than in case of box-making) where the machinist has not been required to grind his knives and cutters but is at any time required to set up his machine, and then only from such time as he is required so to act	6 2 0	6 3 0	6 0 0
(l) Relisher or tenoning machine or single-sided planer (in case of box-making) where the machinist has not been required to grind his knives and cutters but is at any time required to set up his machine, and then only from such time as he is required so to act	5 19 0	6 0 0	5 17 0
(m) Relisher or tenoning machine where the machinist is never required to set up his machine nor to grind his knives and cutters but is merely an operator	5 14 0	5 15 0	5 12 0
(n) Buzzer and/or jointer (using straight irons) carving machine, dovetailing machine (for joinery, travelling cases, and/or cabinet work), cross grainer, lock angle machine or spoke throater, where the machinist is ever required to set up his machine and grind his knives and cutters, and then only from such time as he is required so to act	6 6 0	6 7 0	6 4 0
(o) Dovetailing machine for box or case making (other than travelling cases) where the machinist is ever required to set up his machine and grind his knives and cutters, and then only from such time as he is required so to act	6 2 0	6 3 0	6 0 0
(p) Any machine in paragraphs (n) or (o) hereof where the machinist has not been required to grind his knives and cutters but is at any time required to set up his machine and then only from such time as he is required so to act	5 16 0	5 17 0	5 14 0
(q) Mortising machine (chain or hollow chisel of any kind or any other), Gaynor machine in case of box-making, multiple or single spindle boring machine, slotter, veneer chaff machine or veneer guillotine or clipping machine, where the machinist is ever required to set up his machine or to grind his knives and cutters, and then only from such time as he is required so to act	5 16 0	5 17 0	5 14 0
(r) Any machine in paragraphs (b), (c), (g), (n), or (q) hereof where the machinist is never required to set up his machine nor to grind his knives and cutters but is merely an operator or feeder of the machine	5 12 0	5 13 0	5 10 0
(s) Timber bending machine	6 0 0	6 1 0	5 18 0
(t) Sandpaper or emery machine or belt and/or polishing by belt and machine (except belt sanding in the making of plywood)	6 0 0	6 1 0	5 18 0
(u) Belt sander in the making of plywood	5 16 0	5 17 0	5 14 0
(v) Plywood machine—press operator on	5 15 0	5 16 0	5 13 0
(w) Equalizer cutting plywood with parallel saws	5 15 0	5 16 0	5 13 0
(x) Box lacing and/or wiring machine	5 16 0	5 17 0	5 14 0
(y) Box nailing machine	5 15 0	5 16 0	5 13 0
(z) Box printing machine	5 14 0	5 15 0	5 12 0
(aa) Box or crate cleating, spraying or splicing machine	5 14 0	5 15 0	5 12 0
(ab) Meal grinder	5 13 6	5 14 6	5 11 6
(ac) Pneumatic clamp	6 2 0	6 3 0	6 0 0
(ad) (i) Veneer taping machinist with five years' experience (male)	6 4 6	6 5 6	6 2 6
(ii) Veneer taping machinist with five years' experience (female)	3 16 0	3 16 6	3 15 0
(ae) (i) Veneer taping machinist with less than five years' experience (male)	6 0 0	6 1 0	5 18 0
(ii) Veneer taping machinist with less than five years' experience (female)	3 11 6	3 12 0	3 10 6
(af) Veneer taping machinist (female) with less than twelve months' experience	2 18 6	2 19 0	2 17 6
(26) Millwright (as defined)	6 18 0	6 19 0	6 16 0
(27) Munitions—ammunition box manufacture—employees not elsewhere included	5 16 0	5 17 0	5 14 0

WAGES PER WEEK OF 44 HOURS.

2. (a) Adult Employees (except males and females engaged in the making of sporting goods)—continued.

	Employed in the Bush or in Bush Sawmills or in Log Sawmills.	Employed—(a)		
		Within 20 Miles of G.P.O., Melbourne;	(b) Within 10 Miles of G.P.O., Geelong;	(c) in Mildura and Gippsland Districts; (d) at Warrnambool. (Except in the Bush and at Bush Sawmills.)
	£ s. d.	£ s. d.	£ s. d.	
(28) Offsider to ropeman or shoeman	5 14 0	5 15 0	5 12 0	
(29) Operator employed on gluing jigs and/or cramps for the laminating of veneers or timber for ribs, frames or spars for aircraft or marine work and for girders, beams and trusses for constructional work ..	6 10 0	6 11 0	6 8 0	
(30) Orderman (as defined)	6 2 0	6 3 0	6 0 0	
(31) Painter	6 1 0	6 2 0	5 19 0	
(32) Pine plantation employees—				
Faller	6 3 0	
Loaders, trimmers and employees cutting logs	5 17 0	
(33) Plate layer	5 16 0	
(34) Plywood and veneer—				
(a) Casein or adhesive solution mixer responsible for the proper preparation of the product used	5 15 0	5 16 0	5 13 0	
(b) Corelayer, core feeder, centre layer, or other employee responsible for spreading glue or any other adhesive solution	5 15 0	5 16 0	5 13 0	
(c) (i) Veneer matcher with five years' experience (male)	6 4 6	6 5 6	6 2 6	
(ii) Veneer matcher with five years' experience (female)	3 16 0	3 16 6	3 15 0	
(d) (i) Veneer matcher with less than five years' experience (male)	6 0 0	6 1 0	5 18 0	
(ii) Veneer matcher with less than five years' experience (female)	3 11 6	3 12 0	3 10 6	
(e) Veneer matcher (female) with less than twelve months' experience	2 18 6	2 19 0	2 17 6	
(f) Veneer drier—				
(i) Operator of veneer drier—Merritt, Coe or similar continuous plate type	6 4 0	6 5 0	6 2 0	
(ii) Operator of drying kilns for veneers	6 0 0	6 1 0	5 18 0	
(g) Veneer tapeless machine—				
(i) Veneer tapeless machinist with five years' experience (male)	6 4 6	6 5 6	6 2 6	
(ii) Veneer tapeless machinist with five years' experience (female)	3 16 0	3 16 6	3 15 0	
(iii) Veneer tapeless machinist with less than five years' experience (male)	6 0 0	6 1 0	5 18 0	
(iv) Veneer tapeless machinist with less than five years' experience (female)	3 11 6	3 12 0	3 10 6	
(v) Veneer tapeless machinist (female) with less than twelve months' experience	2 18 6	2 19 0	2 17 6	
(h) Veneer edge truing machine—				
(i) Operator on power-operated veneer edge truing machine where the machinist is ever required to set up his machine and grind his knives and cutters and then only from such time as he is required so to act	6 6 0	6 7 0	6 4 0	
(ii) Operator on power-operated veneer edge truing machine where the machinist has not been required to grind his knives and cutters but is at any time required to set up his machine and then only from such time as he is required so to act	5 16 0	5 17 0	5 14 0	
(iii) Operator on power-operated veneer edge truing machine where the machinist is never required to set up his machine nor to grind his knives and cutters but is merely an operator or feeder of the machine	5 12 0	5 13 0	5 10 0	
(i) Operator using portable circular saw for shaping plywood sections	6 10 0	6 11 0	6 8 0	
(j) Females employed on all other plywood and/or veneer operations not specified	2 18 6	2 19 0	2 17 6	
(k) Veneer tapeless joining edge gluing machine—				
(i) Machinist with five years' experience (male)	6 4 6	6 5 6	6 2 6	
(ii) Machinist with five years' experience (female)	3 16 0	3 16 6	3 15 0	
(iii) Machinist with less than five years' experience (male)	6 0 0	6 1 0	5 18 0	
(iv) Machinist with less than five years' experience (female)	3 11 6	3 12 0	3 10 6	
(v) Machinist (female) with less than twelve months' experience	2 18 6	2 19 0	2 17 6	
(l) Laying up of veneers, &c.—				
(i) Females with five years' experience employed on the laying up of veneers for plywood manufacture or securing film glues	3 16 0	3 16 6	3 15 0	
(ii) Females with less than five years' experience employed on the laying up of veneers for plywood manufacture or securing film glues	3 11 6	3 12 0	3 10 6	
(iii) Females with less than twelve months' experience employed on the laying up of veneers for plywood manufacture or securing film glues	2 18 6	2 19 0	2 17 6	
(m) Plywood and veneer grader, that is, an adult employee who grades plywood and/or veneer according to quality into three or more classes	5 17 0	5 18 0	5 15 0	

WAGES PER WEEK OF 44 HOURS.

2. (a) Adult Employees (except males and females engaged in the making of sporting goods)—continued.

	Employed in the Bush or in Bush Sawmills or in Log Sawmills.	Employed—(a) Within 20 Miles of G.P.O., Melbourne; (b) Within 10 Miles of G.P.O., Geelong; (c) In Murrumbidgee and Gippsland Districts; (d) at Warrnambool. (Except in the Bush and at Bush Sawmills.)	Employed in all Other Districts of Victoria. (Except in the Bush or in Bush Sawmills or in Log Sawmills.)
	£ s. d.	£ s. d.	£ s. d.
(n) Hot press—			
(i) Hot press operator	6 9 0	6 10 0	6 7 0
(ii) Assistant to operator on hot press who assists in assembling veneers prior to insertion in press ..	5 15 0	5 16 0	5 13 0
(iii) Other assistants to operator on hot press ..	5 10 0	5 11 0	5 8 0
(o) Rotary veneer peeling lathe operator who sets up his own knives, sharpens and adjusts pressure bars	6 15 0	6 16 0	6 13 0
(p) Plywood scarfing machines—			
(i) Plywood scarfing machine where the machinist is ever required to set up his machine and grind his knives and cutters, and then only from such time as he is required so to act	6 7 0	6 8 0	6 5 0
(ii) Plywood scarfing machine where the machinist has not been required to grind his knives and cutters but is at any time required to set up his machine, and then only from such time as he is required so to act	6 1 0	6 2 0	5 19 0
(iii) Plywood scarfing machine where the machinist is never required to set up his machine nor to grind his knives and cutters but is merely an operator ..	5 13 0	5 14 0	5 11 0
(35) Pulp wood cutter and/or splitter	5 18 0	5 19 0	5 16 0
(36) Rigger or tree climber	6 16 0
(37) River logman (as defined)	5 14 0
(38) Ropeman or shoeman	6 8 0	6 9 0	6 6 0
(39) Sawing employees—			
(1) Sawyers—			
(a) Log band sawyer	6 18 0	6 19 0	6 16 0
(b) Sawyer who breaks down logs and cuts planks to finished sizes	6 18 0	6 19 0	6 16 0
(c) Stave cutting sawyer	6 10 0	6 11 0	6 8 0
(d) Sawyer who breaks down logs but does not cut planks to size—			
(i) City mills	6 9 0	6 6 0
(ii) Elsewhere	6 7 0	..	6 5 0
(e) Flitching frame sawyer	6 6 0	6 7 0	6 4 0
(f) No. 1 benchman	6 18 0	6 19 0	6 16 0
(g) No. 2 benchman	6 10 0	6 11 0	6 8 0
(h) No. 3 benchman	6 2 0	6 3 0	6 0 0
(i) No. 4 benchman	5 14 0	5 15 0	5 12 0
(j) Gang frame sawyer	6 3 0	6 4 0	6 1 0
(k) Steam or other power-driven crosscut sawyer ..	6 1 0	6 2 0	5 19 0
(l) Ripper or crosscut, cutting wood blocks	5 14 0	5 15 0	5 12 0
(m) Roller re-cut band sawyer using blade over 3 inches in width	6 11 0	6 12 0	6 9 0
(n) Roller re-cut band sawyer using blade not over 3 inches in width if the sawyer is ever required to braze or sharpen his own saw and then only from such time as he is required so to act	6 10 0	6 11 0	6 8 0
(o) Roller re-cut band sawyer using blade not over 3 inches in width, if not brazing or sharpening his own saw	6 3 0	6 4 0	6 1 0
(p) Circular sawyer if cutting a depth of or over 7½ inches	6 11 0	6 12 0	6 9 0
(q) Circular sawyer if cutting a depth of under 7½ inches ..	6 3 0	6 4 0	6 1 0
(r) Edger sawyer to log band sawyer	6 10 0	6 11 0	6 8 0
(s) Breaking down bench sawyer (cities and towns)	6 9 0	6 6 0
(t) Breaking down small logs not over 30 inches long and not over 12 inches in diameter for use in the manufacture of boxes	6 3 0	6 4 0	6 1 0
(u) Other breaking down bench sawyers	6 6 0
(v) Frame sawyer if cutting a depth of or over 18 inches ..	6 4 0	6 5 0	6 2 0
(w) Frame sawyer if cutting a depth of less than 18 inches	6 0 0	6 1 0	5 18 0
(x) Detail band or jig sawyer if the sawyer is ever required to braze or sharpen his own saw and then only from such time as he is required so to act	6 10 0	6 11 0	6 8 0
y) Detail band or jig sawyer if not brazing or sharpening his own saw	6 3 0	6 4 0	6 1 0
(z) Sawyer cutting detail work	6 10 0	6 11 0	6 8 0
(aa) Sawyer preparing timber for moulding machines (other than vertical flat or deep cutting)	6 4 0	6 5 0	6 2 0
(ab) Cross-cut sawyer, cabinet furniture or joinery work ..	6 3 0	6 4 0	6 1 0
(ac) Cross-cut sawyer, not provided for elsewhere herein ..	5 16 0	5 17 0	5 14 0
(ad) Case or box-bench sawyer flattening off up to 2 inches in thickness	5 13 0	5 14 0	5 11 0
(2) Dockermen and/or tallymen—			
(ac) Dockerman and/or tallyman where two or more dockers—			
(i) Main dockerman (as defined)	5 19 0	6 0 0	5 17 0
(ii) Dockerman, other than main	5 13 0	5 14 0	5 11 0

WAGES PER WEEK OF 44 HOURS.

2. (a) Adult Employees (except males and females engaged in the making of sporting goods)—continued.

	Employed in the Bush or in Bush Sawmills or in Log Sawmills.	Employed—(a) Within 20 Miles of G.P.O., Melbourne; (b) Within 10 Miles of G.P.O., Geelong; (c) in Mildura and Gippsland Districts; (d) at Warrnambool. (Except in the Bush and at Bush Sawmills.)	Employed in all Other Districts of Victoria. (Except in the Bush or in Bush Sawmills or in Log Sawmills.)
	£ s. d.	£ s. d.	£ s. d.
(iii) Responsible man at main dock	6 2 0	6 3 0	6 0 0
(iv) Responsible man at dock other than main	5 16 0	5 17 0	5 14 0
(af) Dockerman and/or tallyman where only one dock	5 16 0	5 17 0	5 14 0
(3) Handlemen—			
(ag) Handleman, No. 1 bench	5 19 0	6 0 0	5 17 0
(ah) Handleman, No. 2 bench	5 15 0	5 16 0	5 13 0
(i) Handleman operating manual windlass hauling breaking down carriage	5 15 0	5 16 0	5 13 0
(3A) Header in re-cut band saw	5 12 0	5 13 0	5 10 0
(4) Levermen—			
(ai) Leverman, No. 1 bench	5 15 0	5 16 0	5 13 0
(aj) Leverman, No. 2 bench	5 13 6	5 14 6	5 11 6
(5) Pullers-out—			
(ak) Puller-out, No. 1 bench			
(i) Single-handed on dead or manually-operated roller	6 8 0	6 9 0	6 6 0
(ii) On dead or manually-operated roller where not single-handed	5 19 0	6 0 0	5 17 0
(iii) Power-driven (other than manual power) or friction feed	5 15 0	5 16 0	5 13 0
(al) Puller-out, No. 2 bench—			
(i) Single-handed on dead or manually-operated roller	6 1 0	6 2 0	5 19 0
(ii) On dead or manually-operated roller where not single-handed	5 15 0	5 16 0	5 13 0
(iii) Power-driven (other than manual power) or friction feed	5 13 6	5 14 6	5 11 6
(am) Puller-out or assistant, No. 3 bench	5 12 0	5 13 0	5 10 0
(an) Puller-out on log-band saw, edging saw, roller re-cut band saw using blade of or over 3 inches in width or circular saw cutting depth of or over 7½ inches	5 15 0	5 16 0	5 13 0
(ao) Puller-out, dogger, or wedger-up—any breaking-down saw	5 15 0	5 16 0	5 13 0
(6) Setters—			
(ap) Setter on log band saw carriage	5 16 0	5 17 0	5 14 0
(aq) Setter on other saw carriages	5 15 0	5 16 0	5 13 0
(40) Saw doctor	7 4 0	7 5 0	7 2 0
(41) Saw sharpener (exclusively employed as such)	6 6 0	6 7 0	6 4 0
(42) Spar road builder	5 15 0		
(43) Splitter, packing	5 14 0	5 15 0	5 12 0
(44) Splitter of billets for staves	5 15 0	5 16 0	5 13 0
(45) Splitter, spoke, stave and paling	5 18 0	5 19 0	5 16 0
(46) Splitter, pulp wood	5 18 0	5 19 0	5 16 0
(47) Spotter at spot mills	6 8 0		
(48) Stack, block, of timber and/or plywood and/or veneer to a height of over 6 feet	5 10 0	5 11 0	5 8 0
(49) Stack, for seasoning by means of stripping	5 15 0	5 16 0	5 13 0
(50) Storeman and packer	5 14 0	5 15 0	5 12 0
(51) Tallyman and/or measurer (as defined)	6 2 0	6 3 0	6 0 0
(52) Timber bender, by hand	6 1 0	6 2 0	5 19 0
(53) Timber grader (as defined)	5 17 0	5 18 0	5 15 0
(54) Tramway builder or repairer (as defined)	5 15 0		
(55) Tramway builder or repairer (man in charge of)	6 2 0		
(56) Trucker—Timber or log, on haulage by winch on tramline	5 19 0		
(57) Trucker—Timber or log, on haulage by winch on tramline (where permanently employed as such)	6 1 0		
(58) Water dogman (as defined)	6 0 0		
(59) Wood wool machinist—			
(a) Wood wool machinist where the machinist is ever required to set up his machine and grind his knives and cutters and then only from such time as he is required so to act	6 4 0	6 5 0	6 2 0
(b) Wood wool machinist where the machinist has not been required to grind his knives and cutters but is at any time required to set up his machine and then only from such time as he is required so to act	5 19 0	6 0 0	5 17 0
(c) Wood wool machinist where the machinist is never required to set up his machine nor to grind his knives and cutters but is merely an operator or feeder of the machine	5 12 0	5 13 0	5 10 0
2. (b) Adult Males and Females engaged in the making of sporting goods.			
(60) (a) Belt sander	6 0 0	6 1 0	5 18 0
(b) Bender—			
(i) Badminton racquet rim	6 0 0	6 1 0	5 18 0
(ii) Hockey "U"	6 0 0	6 1 0	5 18 0
(iii) Lacrosse stick	6 0 0	6 1 0	5 18 0
(iv) Squash racquet rim	6 0 0	6 1 0	5 18 0
(v) Tennis racquet rim	6 0 0	6 1 0	5 18 0
(c) Borer slotting or grooving machinist who is ever required to set up his machine and then only from such time as he is required so to act	5 12 0	5 13 0	5 10 0
(d) Buzzer or jointer machinist (using straight irons) where he is ever required to set up his machine and grind his knives and cutters and then only from such time as he is required so to act	6 6 0	6 7 0	6 4 0

WAGES PER WEEK OF 44 HOURS.

2. (b) Adult Males and Females engaged in the making of sporting goods—continued.

	Employed in the Bush or in Bush Sawmills or in Log Sawmills.	Employed—(a) Within 20 Miles of G.P.O., Melbourne; (b) Within 10 Miles of G.P.O., Geelong; (c) in Mildura and Gippsland Districts; (d) at Warrnambool. (Except in the Bush and at Bush Sawmills.)	Employed in all Other Districts of Victoria. (Except in the Bush or in Bush Sawmills or in Log Sawmills.)
	£ s. d.	£ s. d.	£ s. d.
(e) Buzzer or jointer machinist (using straight irons) where he has not been required to grind his knives or cutters but is at any time required to set up his machine and then only from such time as he is required so to act	5 16 0	5 17 0	5 14 0
(f) Buzzer or jointer machinist (using straight irons) where he is never required to set up his machine nor to grind his knives and cutters but is merely an operator	5 12 0	5 13 0	5 10 0
(g) Cane stripper machinist	5 12 0	5 13 0	5 10 0
(h) Checking and inspecting	5 14 0	5 15 0	5 12 0
(i) Cricket bat maker who makes cricket bats throughout	6 15 0	6 16 0	6 13 0
(j) Finishing with hand tools one part only of any wooden or partly wooden sporting goods, for example such a part as the overlay, handle, throat, or bow in racquet frames	5 16 0	5 17 0	5 14 0
(k) Finishing with hand tools more than one such part	6 1 0	6 2 0	5 19 0
(l) Finishing throughout any such sporting goods prior to the lacquering or other coated finish thereof	6 6 0	6 7 0	6 4 0
(m) Fitting by means of any hand tools component parts of wooden or partly wooden sporting goods for example such parts as the steel or other handles or shafts, sole plates, faces of fibre or other material in golf clubs, but not persons merely assembling and fastening such parts	5 16 0	5 17 0	5 14 0
(n) Golf club maker who makes wooden golf clubs in every stage of operation (excepting the turning of wooden golf club heads)	6 15 0	6 16 0	6 13 0
(o) Golf club repairer, that is, an employee who may be called upon at any time to make all types of repairs to golf clubs	6 15 0	6 16 0	6 13 0
(p) (i) Gripper who cuts from the hide or side and winds on leather strips to the grips of wooden sporting goods	6 15 0	6 16 0	6 13 0
(ii) Gripper who does not cut to shape but winds on leather strips to form or shape grips on wooden sporting goods	5 14 0	5 15 0	5 12 0
(q) Liner (male)	6 15 0	6 16 0	6 13 0
(r) Liner (female)	3 12 6	3 13 0	3 11 6
(s) Other sander	5 16 0	5 17 0	5 14 0
(t) Outliner (male)	5 14 0	5 15 0	5 12 0
(u) Outliner (female)	3 1 0	3 1 6	3 0 0
(v) Racquet stringer and/or repairer	6 10 0	6 11 0	6 8 0
(w) Rim gluer machinist who does not bend	5 12 0	5 13 0	5 10 0
(x) Roller fed single-headed planer machinist where he is ever required to set up his machine and grind his knives and cutters and then only from such time as he is required so to act	6 9 0	6 10 0	6 7 0
(y) Roller fed single-headed planer machinist where he has not been required to grind his knives and cutters but is at any time required to set up his machine and then only from such time as he is required so to act	5 19 0	6 0 0	5 17 0
(z) Roller fed single-headed planer machinist where he is never required to grind his knives and cutters nor to set up his machine but is merely an operator	5 12 0	5 13 0	5 10 0
(aa) Router machinist (other than one working from templates, dies or gauges) where he is ever required to set up his machine and grind his knives and cutters and then only from such time as he is required so to act	6 15 0	6 16 0	6 13 0
(ab) Router machinist (other than one working from templates or gauges) where he has not been required to grind his knives and cutters but is at any time required to set up his machine and then only from such time as he is required so to act	6 3 0	6 4 0	6 1 0
(ac) Router machinist working from templates, dies or gauges where he is ever required to set up his machine and grind his knives and cutters and then only from such time as he is required so to act	6 3 0	6 4 0	6 1 0
(ad) Router machinist working from templates, dies or gauges where he is never required to set up his machine nor to grind his knives and cutters but is merely an operator	5 12 0	5 13 0	5 10 0
(ae) Sanding, rubbing down and polishing in the finishing of sporting goods by hand or machine after lacquering or other coated finish	5 11 0	5 12 0	5 9 0
(af) Sawyer—			
(i) Sawyer cutting to a depth of 4½ inches or over not being a band or jig sawyer	6 3 0	6 4 0	6 1 0
(ii) Sawyer cutting to a depth of less than 4½ inches not being a band or jig sawyer	6 0 0	6 1 0	5 18 0
(iii) Sawyer, band or jig, using a saw of 1 inch width or under	5 14 0	5 15 0	5 12 0
(iv) Sawyer, band or jig, using a saw of 1 inch width or under who sharpens and brazes his own saws	6 1 0	6 2 0	5 19 0
(ag) Shaper machinist where he is ever required to set up his machine and grind his knives and cutters and then only from such time as he is required so to act	6 15 0	6 16 0	6 13 0
(ah) Shaper machinist where he has not been required to grind his knives and cutters but is at any time required to set up his machine and then only from such time as he is required so to act	6 3 0	6 4 0	6 1 0

WAGES PER WEEK OF 44 HOURS.

2. (b) Adult Males and Females engaged in the making of sporting goods—continued.

	Employed in the Bush or in Bush Sawmills or in Log Sawmills.	Employed—(a) Within 20 Miles of G.P.O., Melbourne; (b) Within 10 Miles of G.P.O., Geelong; (c) in Mildura and Gippsland Districts; (d) at Warrnambool. (Except in the Bush and at Bush Sawmills.)	Employed in all Other Districts of Victoria. (Except in the Bush or in Bush Sawmills or in Log Sawmills.)
		£ s. d.	
(ai) Shaper machinist where he is never required to set up his machine nor to grind his knives and cutters but is merely an operator ..	5 16 0	5 17 0	5 14 0
(aj) Spray gun operator (male)	5 16 0	5 17 0	5 14 0
(ak) Spray gun operator (female)	3 2 0	3 2 6	3 1 0
(al) Wood turner	6 15 0	6 16 0	6 13 0
(am) Wood turner machinist (except one turning small plugs for golf shafts) where he is ever required to set up his machine and grind his knives and cutters and then only from such time as he is required so to act ..	6 15 0	6 16 0	6 13 0
(an) Wood turner machinist (except one turning small plugs for golf shafts) where he has not been required to grind his knives and cutters but is at any time required to set up his machine and then only from such time as he is required so to act ..	6 3 0	6 4 0	6 1 0
(ao) Wood turner machinist (except one turning small plugs for golf shafts) where he is never required to set up his machine nor to grind his knives and cutters but is merely an operator and any adult wood turner machinist turning only small plugs for golf shafts ..	5 12 0	5 13 0	5 10 0
(ap) Person doing any operation not elsewhere specified incidental to the finishing of sporting goods	5 10 0	5 11 0	5 8 0

(ii) Thereafter :—The rates shown in sub-clauses 2(a) and 2(b) shall be increased by one shilling for males and sixpence for females.

2. (c) Special rates :—

- (i) The minimum rates of pay of special workers shall be as follows :—In all places, 3s. 5½d. per hour provided that :—
- (ii) Special work carrying timber or logs off rafts or sunken punts, or carrying or handling timber or logs on any raft, punt, wharf, or dump which has recently been submerged and is in a wet condition therefrom—an extra 6d. per hour.
- (iii) For work prescribed in clause 22 (2) hereof payment shall be made at the rate of 10 per cent. additional to the weekly rate prescribed herein for the class of work performed provided that :—
- (iv) Submerged timber—regular employees carrying off rafts or sunken punts, or carrying or handling on any raft, punt, wharf, or dump, timber which has recently been submerged and is in a wet condition therefrom—6d. per hour extra.
- (v) The rate of 3s. 5½d. per hour prescribed in paragraph (i) hereof shall be adjusted from time to time in accordance with periodical adjustments of rates made pursuant to the award of the Arbitration Court known as the Waterside Workers Award.
- (vi) For all time worked on holidays mentioned in this Determination employees engaged on special work shall be paid at the rate of double time.

RATES FOR APPRENTICES AND JUNIOR LABOUR.

3. The minimum rates for apprentices shall be as provided in clause 14 hereof and for unapprenticed boys as provided in clause 15 hereof.

PAYMENT BY RESULTS.

4. (a) Subject to the employee receiving at least the minimum time rate an employer may remunerate any of his employees under any system of payment by results based on rates which will enable workers of average capacity to earn at least 10 per cent. in excess of their weekly time rates.

(b) Where an employee works part of a full week at piece-work rates and part at time rates he shall be paid so much as he is entitled to receive under such piece-work rates, plus the proportionate amount which he is entitled to receive under this Determination at time rates of pay.

(c) Where an employer has any person working under any system of payment by results referred to in this clause, he shall state in writing the terms under which such person is working, and such document shall be signed by such person and the employer. Upon demand by an officer of the union such document shall be shown to him by the employer and he shall be allowed to make a copy of same should he so desire.

PIECE WORKERS—SHIFTING HAULERS.

(d) Piece-workers shall be paid at ordinary rates for time occupied shifting haulers from one landing to another except in cases where the piece-work rates are arranged to include time occupied in shifting haulers.

TURNING AND LOADING SLEEPERS.

5. When sleepers are being inspected whilst they are being loaded into trucks by piece-workers and, at the request of the employer or of a Government inspector or of the buyer, the sleepers are turned for inspection or re-inspection, the loaders shall receive turning rates whilst turning such sleepers, and loading rates whilst loading such sleepers.

TRAVELLING ALLOWANCE.

6. (a) Subject to the following an employee engaged in ordinary travelling on duty or on work on which he is unable to return to his home at night shall be paid such personal expenses as he reasonably incurs in travelling, which expenses shall be taken to be at least 7s. 6d. per day.

(b) Where such employee travels by boat or other conveyance in which his ticket includes meals and bed, he shall not be entitled to the said allowance.

(c) Where the employer of such employee provides or offers to provide meals and bed the employee shall have the option of receiving 7s. 6d. per day or accepting the meals and bed provided or offered by the employer.

(d) This clause shall not apply to workers in the bush or to those ordinarily and usually employed on lighters, punts, or rafts.

TRAVELLING TIME.

7. (a) Subject to this clause a weekly employee shall, when he is directed or required to work at a place other than his usual place of work, be paid at ordinary rates for all time occupied in travelling to and from the place at which he is so directed or required to work in excess of the time ordinarily occupied in travelling to and from his usual place of work.
- (b) Each employee in the bush shall have a fixed starting place which shall be the existing starting place.
- (c) New starting places in the bush shall be fixed by agreement between the employer and the union.
- (d) When an employee has a fixed starting point in the bush he shall be paid for all time occupied in travelling between the starting point and the work and for all time in excess of half an hour back from the work to the starting point.

MIXED FUNCTIONS.

8. (a) An employee engaged for more than half of one day or shift on duties carrying a higher rate than his ordinary classification shall be paid the higher rate for such day or shift. If for half or less than half of one day or shift he shall be paid the higher rate for the time so worked.
- (b) Where an employee is transferred without having received at least seven days' written notice to a grade of work carrying a lower minimum rate of wage than that at which he is usually employed, he shall be paid, during such seven days or any less time so employed, the rate of wage he was receiving for the work usually performed by him.
- (c) Where an employee is engaged on higher grade work at his own request for the purpose of learning such work, he shall be paid for the time he is so engaged for a period or periods not exceeding twenty-eight days in all at his usual rate of pay prior to his being so engaged, and thereafter at the rate prescribed for the higher grade work. The employer shall, within one week of the engagement of an employee under this sub-clause, inform the union by registered letter of such employment and the duration of such employment.

TERMS OF ENGAGEMENT.

9. All employees except those engaged on piece-work or on special work shall be employed on a weekly engagement subject to the following terms:—

- (a) An employee shall perform such work as the employer shall from time to time require on the usual days and within the prescribed hours, provided that until the seven days' notice of transfer to a lower grade, prescribed by sub-clause (b) of clause 8 expires, such work shall in the case of cities and towns be of or be paid as of a similar class to that usually performed by such employee.
- (b) Employment within 20 miles of the G.P.O., Melbourne, during the first week shall be from day to day at the weekly rate prescribed, except in the case of a re-engagement within one month after the termination of a previous service of the employee under the employer.
- (c) An employee having been in the employment of his employer for one month or more shall be entitled to payment when absent from work consequent upon an accident arising out of or in the course of his employment or occurring whilst the employee is going to or returning from work or ill-health (not attributable to his own misconduct) for not more than forty-four working hours in any year provided that he produces evidence thereof satisfactory to his employer or to such employer's local manager within 48 hours of the commencement of such absence.

Provided that where, under any scheme of insurance or an accident relief or provident fund, to secure the benefit of which the employer has paid the necessary premium or under any Act, compensation becomes payable for any of such days of absence, the employer shall not be bound to pay more of such wage than is sufficient with such compensation to make up the full pay for any such days.

This sub-clause shall not apply to workers employed in the bush or in bush sawmills or in log sawmills.

- (d) Subject to the provisions of the two next succeeding sub-clauses a week's notice of the termination of employment shall be given to terminate such employment on the corresponding day of the following week or on any later day thereof and if the employment be terminated by either the employee or the employer without such notice a week's wages shall be paid or forfeited as the case may be. Notice given by an employer for more than two weeks in succession shall not be regarded as notice within the meaning of this clause: Provided that in the case of work in the bush and at bush mills such notice may be dispensed with by the consent in writing of the employer and employee.

Provided also that if an employee leave his employment otherwise than in pursuance of such week's notice or of such consent in writing or of dismissal by the employer, the employer may retain any money due under this Determination to the employee until the time at which it would have become payable if the employee had not so left.

- (e) The employer may dismiss any employee without notice for malingering, inefficiency otherwise than through temporary illness, neglect of duty or misconduct, and pay the employee's wages up to the time of such dismissal only.
- (f) The employer may deduct payment for any day the employee cannot be usefully employed because of any strike, or because of any breakdown of machinery, or because of any other stoppage of work for any reasonable cause. The onus of proving reasonableness of the cause shall be on the employer. Subject to the employee being ready, willing and available to work nothing in this clause shall authorize deduction of payment for any time lost because the employee is prevented from working on account of rain, hail, or snow or on account of a shortage of logs when such shortage is due to rain, hail, or snow.
- (g) In any case where the wage per hour has to be calculated it is to be the weekly wage divided by the weekly number of hours which obtains in the industry.
- (h) Employer parties may employ employees in box and case factories and in the making of sporting goods by the hour and shall pay such employees at a rate per hour proportionate to the weekly wage, plus 10 per cent., with a minimum amount in respect of any employment on a day as for the full day.

Provided that in the case of piece-work the minimum amount payable shall be as if the employment shall have continued throughout the working hours of the day on which the employment occurs payable at a rate per hour proportionate to such weekly rate, plus 20 per cent.

HOURS.

10. (a) The ordinary working hours shall not exceed 44 per week throughout the industry, provided that where persons are employed in any other industry such persons' hours of work shall be uniform with those prevailing in such industry.

(b) The daily spread of hours shall be such as may be agreed upon by a majority of the employees and employer concerned in any business and approved of by the State branch of the union. In default of such agreement and approval such hours shall be worked within nine and three-quarter consecutive hours between 7.15 a.m. and 5.30 p.m. standard time on Monday to Friday—one hour or such other time as may be agreed upon being allowed for luncheon between noon and 2 p.m.—and between 7.15 a.m. and noon standard time on Saturday.

(c) Sub-clause (b) hereof shall not apply to feeders, guards, hookmen, log yardmen, log loaders and log haulers, greasers, bush blacksmiths, and men employed on barges and rivers.

(d) The hours for shiftmen shall be as prescribed by clause 11 hereof.

SHIFT WORK.

11. In the event of more than one shift being worked then each shift—other than the day shift—shall be worked in five equal periods during the week (excluding Sunday), at such hours as may be agreed upon between the employer and employees concerned, provided that the total hours worked in any week on shifts, other than the day shift, shall not exceed 90 per cent. of the ordinary weekly hours prescribed for the day shift.

HOLIDAYS.

12. (a) All weekly employees, except piece-workers, bush workers, and bush sawmill workers, shall be entitled to holidays on the following days:—

- (i) The days observed as holidays in respect of New Year's Day, Australia Day, Good Friday, Easter Saturday, Easter Monday, Labour Day, Anzac Day, Christmas Day, and Boxing Day, and such extra day as subject to paragraph (ii) hereof as may be arranged between the employer and the union, or in default of such arrangement as may be settled by the Wages Board.
- (ii) In the case of employees employed within a radius of 25 miles of the General Post Office at Melbourne the extra holiday shall be the day observed as Melbourne Cup Day.
- (iii) Each groom or feeder shall be entitled to two weeks' annual holiday, provided he shall have been in the employer's service for a period of twelve calendar months prior to the date of such holiday. Such holiday shall be taken at such time as may be mutually agreed upon between the employer and the employees.
- (iv) In the event of a groom or feeder being employed for less than twelve months but more than three months then annual leave shall be granted pro rata at the rate of one day's leave for each one month's service.

(b) Bush workers, bush sawmill workers, and log sawmill workers, where the holidays specified in this clause are not generally observed as they occur, other than piece-workers, grooms, and feeders, shall have a full week's holiday at Christmas and four days' holiday at Easter, that is to say, Good Friday, Easter Saturday, Easter Monday, and Easter Tuesday.

(c) (i) Except as provided in this sub-clause no deduction shall be made from wages in respect of any of the holidays prescribed in (i), (ii), and (iii) of sub-clause (a).

(ii) Subject to observance of the provisions herein set forth for payment to employees in respect of such holidays, the employer may deduct from an employee's wage an amount corresponding with the time which the employee works short because of such holidays. Such provisions are:—

- (1) The employer shall for each calendar month of the employment credit in account the employee with one-seventh of the amount of the employee's prescribed weekly rate of wage, except in the case of a groom or feeder where this amount to be credited shall be one-sixth of the amount of such rate.
- (2) On or before the pay-day next following a holiday the amount of time that the employee has worked short because of the holiday and the amount which has been deducted from his wage in respect of such working short shall be ascertained.

Provided that in respect of Christmas Day and Boxing Day this provision shall be applied on the pay-day preceding such holidays and provided also that employees referred to in sub-clause (b) of this clause shall be paid all amounts due to them on the pay-days preceding Easter and Christmas.

- (3) If on such pay-day there is standing to the credit of the employee pursuant to paragraph (1) an amount equal to or exceeding the amount that will be so deducted from his wage, the employer shall on that day pay him an amount equal to that which will be so deducted and the employee's credit shall be reduced by the amount so paid.
- (4) If on such pay-day the amount standing to such credit is less than the amount which will be so deducted, the employer shall on that day pay to the employee the amount then standing to such credit, which credit shall be reduced by the amount so paid.
- (5) If on such pay-day there is nothing standing to such credit nothing shall be payable in respect of such holiday.
- (6) In each year on the first pay-day after the 23rd day of January, the amount (if any) standing to the credit of an employee shall be paid to him, and such credit shall be reduced by the amount so paid.
- (7) On the termination of the employee's service the amount (if any) then standing to such credit shall be paid to him provided that where that service comprises two weeks or more over a completed period of months the employee shall also be paid one-twelfth of a week's wages excepting in the case where an employee is a groom or a feeder, in which case the employee shall be paid one-twelfth of a week's wages.

(iii) Notwithstanding the last paragraph (ii) hereof payment in respect of such holidays may be made in such other manner as may be agreed to in writing by the State Secretary of the Union and the employer concerned or in such other manner and upon such conditions as may be approved by the Secretary for Labour upon application by such employer in respect of such payment.

(d) As to employees in the making of sporting goods unless the employer concerned notifies the union forthwith that the provisions of sub-clause (c) hereof are to apply to them such provisions shall not so apply and the following provisions shall apply:—

- (i) Except as otherwise provided herein no deduction of pay shall be made because of the allowance of any of the holidays provided for in this clause.
- (ii) If an employee without permission from his employer or without reasonable cause absents himself from work on any part of that day which was the ordinary working day nearest previous to the holiday the employer may deduct payment in respect of the holiday.
- (iii) Notwithstanding anything to the contrary contained in this Determination, if any employer shall give to any employee a notice of termination of engagement expiring or taking effect as a dismissal within seven days of the date on which any of the said holidays fall or are observed such employer shall pay to the employee so dismissed a day's pay for each such holiday falling or being observed within seven days of the termination of the engagement unless the engagement is determined by reason of the misconduct of the employee.

Provided that this paragraph shall not apply to any employee who at the date of the expiration of such notice shall not have been employed by the employer concerned for at least 80 per cent. of the ordinary working time of the three consecutive weeks immediately preceding the expiration of such notice.

Provided further that where any holiday is observed on a non-working day the employee concerned shall not be entitled to payment for such holiday.

- (iv) If an employee does any work on any such holiday sub-clause (c) of clause 13 shall not apply thereto, but the employee in addition to receiving his weekly wage shall be paid for such work at ordinary rates with a minimum payment as for two hours.

(e) The employee shall be entitled only to the holidays prescribed herein notwithstanding anything contained in or under any State Act of Parliament creating or proclaiming any other holiday or holidays.

(f) For the purposes of this clause calendar months shall be reckoned as commencing with the beginning of the first day of the employment or period of employment in question and as ending at the beginning of the day which in the latest month in question has the same date number as that which the commencing day had in its month, and if there be no such day in such subsequent month, shall be reckoned as ending at the end of such subsequent month.

(g) Nothing in this clause shall effect the operation of clause 31 hereof.

OVERTIME.

13. (a) Subject to the following all time worked outside the spread of hours prescribed in clauses 10 and 11 hereof or in excess of the ordinary daily or shift number of hours prescribed therein or elsewhere shall be paid for at the rate of time and a half for the first two hours, and double time thereafter. Work performed during the meal hour shall be paid for at the rate of double time, but where the total hours worked, including such meal time, do not exceed the prescribed number of hours, then such double time shall be deemed to mean an additional ordinary rate only.

(b) An employee required to work overtime for more than two hours without being notified the day before that he will be so required to work, shall either be supplied with a meal by the employer or paid 2s., but such payment need not be made to employees living in the same locality as their place of employment who can reasonably return home for meals. If an employee pursuant to notice has provided a meal and is not required to work overtime he shall be paid as above prescribed for the meal so provided.

(c) All time worked by grooms and feeders in excess of 44 hours in any week shall be paid for at the rate of time and a half for the first twelve hours and double time thereafter.

(d) All work performed by a piece-worker before or after ordinary hours of work on the instruction of his employer shall be paid at the rate of time and a half for the first two hours and of double time thereafter.

(e) Except where it is otherwise prescribed, all time worked by employees other than grooms or feeders on the holidays to which they are entitled under this Determination shall be paid for proportionately, in addition to the indirect payment or to the payment by written agreement for holidays prescribed in clause 12 hereof, at the ordinary rates; and on Sundays shall be paid, for at proportionately double rates. Provided that in the case of work done on either a Sunday or holiday payment shall be made for two hours at the least at such double rates.

(f) All work performed by a piece-worker on Sundays on the instructions of his employer shall be paid for at the rate of double time.

(g) All time worked by employees on Saturdays (outside ordinary hours), Sundays or holidays prescribed herein in maintaining or effecting repairs or renewals to plant or machinery, including the washout of boilers, which it is necessary to effect to enable work to proceed on the next working day shall be paid for, in the case of Saturdays (outside ordinary hours) and Sundays, at the rate of time and a half, and in the case of such holidays at ordinary rates in addition to the indirect pay or to the pay under written agreement for such holidays allowed in clause 12 hereof.

APPRENTICES.

14. (a) The following sub-clauses apply only to city and town sawmills, shops, and factories.

PROPORTION.

(b) *Machinists*.—The employer shall employ at least one apprentice and not more than two apprentices to each six journeymen employed by him in any one timber yard, sawmill, shop or factory at full rates under this Determination, but may employ one apprentice if he so employs four journeymen. For the purpose of calculating the number and proportion of apprentices under this sub-clause, the following shall be journeymen:—Machinists on shaper, routing machine, general joiner, Boulton's carver, buzzer, moulding machine, planing machine, Lindemann gluer and jointer, tenoning machine, jointer, woodturners and grinders of knives and cutters, and any working proprietor working on any of such machines.

Provided that an employer who has more than one place of business whether timber yard, sawmill, shop or factory within a radius of 20 miles of the G.P.O., Melbourne, or within a radius of 10 miles of the post offices of other towns or cities, shall be entitled to treat all such places of business as one for the purposes of this clause.

(c) *Sawyers*.—The employer may employ one apprentice when there are one or more journeymen employed by him at full rates under the Determination, but he shall not employ more than two apprentices to each six journeymen so employed. For the purpose of calculating the number and proportion of apprentices under this sub-clause, the following shall be journeymen:—Sawyers of any sort and saw sharpeners.

(d) *Saw Doctors*.—The employer may employ one apprentice to each saw doctor.

FORM OF INDENTURE.

(e) Apprentices shall be apprenticed in accordance with a form of Indenture prescribed by the Board.

PERIOD OF APPRENTICESHIP.

(f) Apprentices shall be apprenticed if under the age of eighteen years for a period of five years, and if eighteen years of age for a period of four years.

WAGES.

(g) The minimum rates of weekly wage (unadjustable) to be paid to apprentices shall be as follows:—

For a five-year term—		s.	d.
1st year	22	6
2nd "	36	6
3rd "	50	6
4th "	64	6
5th "	78	6
For a four-year term—		s.	d.
1st year	33	6
2nd "	50	6
3rd "	64	6
4th "	78	6

When an apprentice is under the age of 21 years on the expiry of his apprenticeship he shall be paid 4/5ths of the journeymen's time wage until reaching the age of 21 years.

Proof of Age.

(h) A boy about to be apprenticed shall, if the employer require it, furnish a certificate or statutory declaration as to his age, and the employer may rely on such certificate or declaration unless or until he has notice of its inaccuracy.

APPRENTICESHIP TRADES.

(i) (i) An apprentice under sub-clause (b) hereof shall be instructed in and properly taught and practised in the work of at least three of the following:—Shaper, routing machine, general joiner, Boulton's carver, buzzer, moulding, planing, Lindemann gluer and jointer, tenoning and jointer machines; wood turner and in the setting up of and grinding of knives and cutters for these machines in which he is instructed, taught, and practised; provided that any such group shall include at least one of the following:—Shaper, general joiner, Boulton's carver, buzzer (using other than straight irons), Lindemann gluer and jointer or wood turner.

(ii) An apprentice under sub-clause (c) hereof shall be instructed in, and properly taught and practised in, the work of sawing ordinarily and usually done in a sawmill, and in the work of setting and sharpening saws.

(iii) An apprentice under sub-clause (d) hereof shall be instructed in, and properly taught and practised in, the work of repairing and putting saws in perfect order and saw hammering.

(iv) Where it is desired that an apprentice be instructed in, taught, and practised in any machine or machines not included in sub-clause (i) hereof, it may be so agreed with the consent of the union, provided that the apprentice be instructed in, taught, and practised in at least two of the machines referred to in that sub-clause in addition.

ATTENDANCE AT TECHNICAL SCHOOLS.

(j) During the first two years of apprenticeship the employer shall allow the employee one half-day per week for the purpose of attending Technical School where a Technical School is available.

OVERTIME AND HOLIDAY RATES.

(k) An employer requiring an apprentice to work overtime shall pay to such apprentice double rates for such overtime, provided no apprentice shall be required to work overtime for more than eight hours on such overtime in any one week, or more than sixteen hours in any four weeks, and provided that such work during such overtime shall not prevent the apprentice attending at any Technical School.

If the apprentice be willing to work on, and the employer desires to employ him on a holiday, then the employer may do so but must pay the apprentice double rates for such work. The work on such holiday shall not exceed the ordinary hours of work, and shall not be included in the calculation of eight and sixteen hours in the last preceding paragraph mentioned.

PROBATIONARY PERIOD.

(l) An employer may employ a boy with a view to apprenticing him for a period of three months on probation, provided that if the boy shall then be indentured, such three months shall count as part of his apprenticeship. Within fourteen days of a boy being placed on probation for apprenticeship the employer shall notify the union by registered letter of such employment, giving the name, age, and address of such boy. During the period of probation the boy shall be paid the wages prescribed for an apprentice, but if on the expiration of the period of probation the boy be not apprenticed there shall be paid to him the difference between the wages of an apprentice and an unapprenticed boy of his age.

CANCELLATION OR SUSPENSION OF INDENTURE.

(m) All present contracts of apprenticeship shall be deemed to include and all future contracts of apprenticeship shall include the following provision:—

If through lack of orders or through financial difficulties the employer is unable at any time to find employment and training for an apprentice and if a transfer to another employer cannot be arranged, the obligations and duties imposed by the indenture may with the concurrence of the apprentice and his guardian be suspended for a period agreed upon or if no such agreement is arrived at may be cancelled by the employer. The onus of proof of circumstances justifying such cancellation shall be on the employer.

UNAPPRENTICED BOYS.

15. (a) (i) The employer may employ unapprenticed boys in any position which they are capable of filling, including the position of machinist on any box-making machine (other than a dovetailing machine), dowel machine, embossing machine, rumber, washing machine and on any other machine as may be approved by the Wages Board; but excluding the position of sawyer, dovetailing machinist in box-making and machinist to any machines other than those hereinbefore allowed or those to be allowed by the Wages Board.

Provided that in the making of plywood or veneer such boys may be employed upon the following work:—Handling and cutting veneer or plywood, sorting, matching and taping veneers and plywood and operating taping machines in connexion therewith, or as tailer out of plywood or veneer, or feeders or tailers out on the glue rolls or sandpapering machine; they may also assist at any of the other machines in the mill, run errands, sweep floors, heat water, clean up and burn shavings, sawdust or other refuse; may also push trollies to and from machines and other parts of the factory, and may feed to or take from machines and other places material and timber butts, and may cleanse the same with handbrush; may handle, bore, sort and varnish plywood chairseats and set out same to dry, and may count, mark, bundle or tie up and assort for delivery such chairseats or plywood or veneer in sheets or any light articles manufactured therefrom.

Provided further that notwithstanding the rate of wages, youths under eighteen years of age shall not be employed pulling out on saw benches.

Proportion.

(ii) Subject to the exceptions hereinafter provided the number of such boys employed shall not exceed the proportion of one in four of the total employees employed in any one timberyard, saw mill, or factory, under this Determination receiving the adult rates prescribed herein.

Box and Case Making.

(iii) In the making of boxes and cases and the preparation and machining of timber for such making the number of such boys employed in any one timberyard, sawmill, or factory, may equal but shall not exceed one-half the number of employees engaged therein who receive the rates for adults prescribed by this Determination.

Plywood and Veneer.

(iv) In the making of plywood and veneer the aggregate of the number of such boys and of female juniors employed in any one factory, may equal but shall not exceed the number of employees engaged in such making, who receive the rates for adults prescribed by this Determination.

Small Wooden Articles.

(v) As to employers engaged in manufacturing small wooden articles the following proportion of unapprenticed junior labour shall be permitted:—

Coat Hangers.

(1) In the manufacture of coat hangers and similar articles one boy to two adults in the machine section and unlimited boys in the assembly and despatch sections.

Bobbins, Paper Cores, Reels, &c.

(2) In the manufacture of bobbins, paper cores, reels and other small articles turned on automatic or semi-automatic lathes with not more than 6-inch heads three boys to two adults. Provided that on the lathes above referred to boys shall only be used as operators.

Battery Box Parts.

(3) In the manufacture of battery box parts one boy to four adults in the woodworking section. Provided that in this industry this Determination shall not apply to any part of the work in which the employee is called upon to use a chemical process. Provided also that on the cutting off machine no boy under eighteen years of age shall be employed.

Confectionery and Cigar Boxes, &c.

(4) In the manufacture of confectionery boxes, cigar boxes, ring cases, serviette ring cases, handkerchief boxes, glove boxes and medical outfit cases one boy to four adults in the woodworking section. Provided that in addition not more than six boys shall be allowed in the assembly section but such number may be increased by agreement with the State branch of the Union.

Toys.

(5) In the manufacture of toys one boy to four adults in the machine section. Provided that unlimited boys nineteen years of age and over shall be allowed on spade handle machines, unlimited boys eighteen years of age and over shall be allowed on disc sanders, belt sanders and on 6-inch head lathes and unlimited boys sixteen years of age and over shall be allowed on boring machines. Provided that unlimited boys shall be allowed in the assembly, finishing and despatch sections.

Electrical Wood Ware.

(6) In the manufacture of electrical wood ware three juniors to two adults provided that in this industry in addition boys eighteen years of age and over shall be allowed on sanding and beading machines. Provided further that boys shall be allowed as feeders of burnishing and boring machines, staining, stacking, counting and wrapping blocks.

Shives.

(7) In the manufacture of shives three boys to two adults.

Strawberry Boxes, &c.

(8) In the manufacture of strawberry boxes or punnets three boys to two adults.

WAGES.

(vi) The minimum rates or weekly wage (unadjustable) to be paid to unapprenticed boys shall be as follows:—

	s.	d.
Up to 16 years of age	28	0
16-17 years of age	33	6
17-18 years of age	45	0
18-19 years of age	56	0
19-20 years of age	67	6
20-21 years of age	78	6

(vii) The minimum rates for female juniors shall be as provided in clause 15 (b) (7).

PROOF OF AGE.

(viii) When any boy is engaged he shall, if the employer requires it, furnish a certificate or statutory declaration as to his age, and the employer may rely on such certificate or declaration until or unless he has notice of its inaccuracy.

Notification of Union.

(ix) The employer within one week of the engagement of a boy or female junior to whom this clause refers shall inform the union by registered letter of such employment and the name and age of such junior and of the total number of employees receiving rates for adults. In any case in which the union shall make a demand by registered letter an employer shall within one month of the demand forward to the union a list of his unapprenticed boys and of such female juniors.

Alteration of Proportion.

(x) In any case in which it is claimed that by reason of any special circumstances it is desirable that a greater or less number of unapprenticed boys should be employed an application setting out such special circumstances may be made to the Wages Board for a special order thereon and the Wages Board may thereupon make such order as it thinks proper under such circumstances.

Tuition in Sawing or Machining.

(xi) Nothing in this clause shall prevent the instruction and tuition in sawing or machining of any boy employed under this clause.

JUNIORS AND FEMALES IN SPORTING GOODS MAKING.

Proportion.

15. (b) (1) In or about any sporting goods making factory the number of junior males employed at less than rates for adult males may equal, but shall not exceed one and a half times the number of males employed there at wage rates for adult males and the number of junior females employed at less than rates for adult females may equal, but shall not exceed one and a half times the number of females employed there at wage rates for adult females.

Prohibited Occupations (Juniors).

(2) Juniors shall not be employed in the following operations, except as assistants on bending and gluing machines, and as hereinafter provided:—

- (a) Operator of saws.
- (b) Operator of buzzer, jointer, planer, gluing machines, shaper, belt sander, routing machines (except machines used for the grooving of the bows for the strings of all sporting goods made of wood).
- (c) Tennis, squash, or badminton rim bending, hockey "U" bending, lacrosse stick bending.
- (d) Setting up and grinding knives of any lathe.
- (e) Fitting as described in the marginal classification, but not including assembling.
- (f) Wood turning, except on automatic and semi-automatic copying lathes, and on small plugs for golf shafts.

Prohibited Occupations (Females).

(3) Females shall not be employed on any work set out in clause 2 (b), other than:—

- (a) Branding of sporting goods made of wood.
- (b) Operating string or cord-binding machines.
- (c) Any operation in the finishing department with the exception of racket stringing. For the purpose of this sub-clause work in the finishing department comprises painting and/or lacquering and all operations subsequent thereto.
- (d) Operating spray gun, but not with filler or other heavy material.

Tuition in Sawing, &c.

(4) Nothing in this clause shall prevent the instruction and tuition of any junior over the age of eighteen years in sawing or machining, or in the use of any other machine from which they are excluded under clause 15 (a).

Provided that such course of instruction and tuition shall not exceed twelve months and shall be under the supervision of a qualified journeyman at all times.

If such junior be employed after the conclusion of his term of instruction and tuition to fill the place of a sawyer or machinist who is absent from work he shall be paid the full adult wage for that class of work.

The proportion of such juniors receiving this course of instruction shall not exceed one to four adult sawyers and/or machinists.

Notification of Union.

(5) The employer within one week of the commencement of the instruction and tuition of a junior under this clause shall inform the State branch secretary of the union by registered letter of the employment of such junior, giving the name and age of the junior, the date of commencement of such instruction and tuition, and the total number of the adult employees of the employer concerned working under this clause.

Wages (Males).

(6) The minimum rates of weekly wage prescribed in clauses 14 and 15 (a) hereof shall so far as applicable be applied to male juniors employed in making of sporting goods.

Wages (Females).

(7) The minimum rates of weekly wage (unadjustable) to be paid to female juniors shall be as follows:—

	s.	d.	
Under 16 years of age	22	6	per week.
16-17 years of age	27	0	..
17-18 years of age	36	0	..
18-19 years of age	42	6	..
19-20 years of age	49	6	..
20-21 years of age	53	0	..

SAWYER TO HAVE PULLER OUT.

16. No sawyer shall work or be required to work a running-out saw bench cutting over 3 feet 6 inches in length without a puller out provided that in the making of sporting goods a boy may be used as such puller out.

TOOLS TO BE SUPPLIED.

17. Employees other than millwrights and piece-workers shall be supplied by the employer with all necessary tools, implements, and plant.

PROTECTIVE COVERING.

18. (a) Water dogman and river dogman shall be paid 6d. per week in addition to their ordinary wage for the cost of waterproof coats and boots.

(b) If an employee is required to drive a tractor in log-hauling operations in heavy rain he shall be provided with oilskins or other suitable waterproof clothing.

The employer may deduct from the pay of any employee to whom oilskins or waterproof clothing have been supplied the cost of such articles as are not returned in good order or condition, fair wear and tear accepted, on demand being made by the employer.

Rain shall be deemed to be heavy when, if the employee works therein as required, his clothing will become saturated.

TRANSPORT OF EMPLOYEE.

19. Where means of transport to the bush or bush sawmills is provided by the employer, on the termination of service of an employee, the employee, his family, and his goods and chattels shall be transported free of charge within 48 hours of receipt by the employer of notice that such transport is required. But an employee shall not be entitled to free transport on a route along which the public is regularly transported for payment; on the other hand he shall not be charged a rate on such route in excess of that regularly charged to the public.

TIME BOOKS AND INSPECTION.

20. (a) The employer shall keep at each timber yard, sawmill, or factory or at a nearby office, which is part of the employer's business premises, a time book or sheets or cards with entries typed, or perforated, or written in ink showing the names of his employees, the number of hours worked by each, the rate of pay, and the wages payable and paid to each employee.

(b) The Federal secretary or secretary of a State branch of the union or any officer thereof authorized in writing by one of them, shall, on production of an authority to the employer, his local manager, or the person who purports to be in charge, be allowed at all reasonable times to inspect such time book, sheets, or cards, and to make a copy of the same. Such time book, sheets, or cards for the last preceding twelve months shall be kept available for this purpose.

(c) The Federal secretary or secretary of a State branch of the union or any officer thereof authorized in writing by one of them, shall, on production of an authority to the employer or his local manager, be allowed at all reasonable times to inspect any part of an employer's works where it is suspected that a breach of this Determination has occurred or is occurring, but such inspection shall be carried out in the company of the employer or some one on his behalf. The employer shall provide the necessary facilities for the investigation of the breach or the supposed breach of this Determination including access to the time book, sheets, or cards referred to herein. The union officers shall not interfere with or inconvenience the work and duties of the men more than is absolutely necessary for the proper investigation of the breach or supposed breach of this Determination.

RIGHT OF ENTRY OF UNION OFFICIALS.

21. The secretary or branch secretary or any officer of the union shall have the right to enter employers' working establishments, during the meal time, for the purpose of interviewing employees on legitimate union business, on the following conditions:—

(a) That the representative produces his authority to the gatekeeper or such person as may be appointed by the employer.

(b) That the representative interviews employees only at the places where they are taking their meals.

(c) That not more than two such representatives shall, at any one time, visit or be in any one working establishment and if there are two representatives they shall both be there at the same time.

(d) That if a working establishment shall have been visited by any such representative during a week it shall not be visited afterwards during the same week by any such representative.

(e) That if any employer alleges that a representative is unduly interfering with his working establishment, or is creating disaffection amongst his employees, or is offensive in his methods, or is committing a breach of any of the previous conditions, such employer may refuse the right of entry.

(f) Any unreasonable delay in allowing officers of the union into the premises shall be a breach of this Determination.

PROVISIONS RELATING TO SPECIAL WORK.

22. Special work means the following work performed by an employee (other than a regular employee) employed by the hour:—

(a) Receiving timber from any vessel or wharf for delivery into any yard, mill, railway truck, or other place; the delivery of timber received from any vessel or wharf directly into any yard, mill, railway truck, or other place and thereupon stacking; receiving timber at any yard, mill, railway truck, or other place for delivery to any wharf or vessel, and the delivery of such timber to any vessel or wharf and thereupon stacking.

(b) Receiving timber at any railway truck or siding and its delivery into any yard, mill, or place (other than vessel or wharf) and thereupon stacking; delivering timber from any yard, mill, or place (other than vessel or wharf) into any railway truck or siding and thereupon stacking or loading, which work shall be paid for at the rate of 10 per cent. additional to the weekly rate prescribed herein for the class of work performed.

(c) Where a weekly employee is put on to special work, he shall, if he is discharged within four weeks of his being put on to such work, have his pay calculated according to the rates provided in this Determination for the special work for the time he is so engaged, and shall be paid any back pay due to him forthwith on his discharge or within fifteen minutes thereof.

(d) Unless otherwise agreed upon with the consent of the State branch of the union the wages of special workers shall be paid at least once a week or if the work should finish before the end of any week then at the end of the job.

(e) Where an employee doing special work is kept waiting after his discharge for his pay for more than fifteen minutes through default of the employer the employee shall be paid at overtime rates for all time from the time of his discharge until he is paid.

(f) One hour or such other time as may be mutually agreed upon shall be allowed for meals except in a case of urgency or except where not more than half an hour is required to finish a job. Except in such cases no special worker shall be called upon to work during the meal hour unless he consents to do so. Where a special worker works during the meal hour he shall be paid for the time worked at the rate of 2s. 6d. per hour in addition to the ordinary rate for such period.

(g) A special worker having begun work shall not, without reasonable cause or excuse, be dismissed or cease work until the job is finished. The burden of establishing such reasonable cause or excuse shall in every legal proceeding be upon the party alleging such reasonable cause or excuse.

(h) Any special worker engaged for work shall be paid for at least two hours whether put to work or not.

DEFINITIONS.

23. In this Determination, unless the contrary intention appears :—

- (a) "Glazier (first class)" means an employee who is called upon to cut plate, sheet, figured, rolled, and other flat glass, also structural glass and to glaze and to fit into wood and/or steel, and/or metal and to fix structural glass.
- (b) "Head Faller" means an employee who selects timber for falling, exercises supervision over two or more other fallers and/or who sharpens fallers' saws used in bush operations.
- (c) "Kiln Operator" means an employee who operates a drying kiln and is responsible for the temperature reading and records thereof.
- (d) "Labourer experienced" shall mean an adult employee with not less than three months' experience in the industry whether in the service of one or more employers who is employed upon work for which a margin is not elsewhere provided.
- (e) "Leading hand" means an employee who, while he is working, has under his charge or control any adult person or persons not apprentices or improvers, and who has been appointed by the employer to take such charge or control. This definition does not apply to engine drivers, firemen, or greasers. A leading hand shall receive 6s. per week in addition to his ordinary rate.
- (f) "Main docker" means the docker, in a mill where there are two or more dockers, at which most timber is docked. In mills where the breaking down bench feeds two benches with approximately equal quantities of timber, the two dockers shall be rated as main dockers.
- (g) "Measurer": See "Tallyman or measurer".
- (h) "Millwright" means and includes an employee who installs machinery in a sawmill.
- (i) "Mixed industry" shall mean an employer's industry where the work performed by an employee as herein defined is subsidiary and ancillary to the chief and principal purpose and business of such industry.
- (j) "Ordorman" means an employee who is responsible for the selection, allotment, and measuring of orders for delivery and/or for the execution of orders for delivery.
The word "order" in this definition shall mean the demand of a customer or of the employer, or some one on his behalf to the ordorman for an expressed size and class, or expressed sizes and classes of timber.
- (k) "River logman" means an employee usually and ordinarily engaged on or in connexion with any barge, raft, or punt on any river, in loading, discharging, or bringing logs, pilos, hewn or sawn timber to or from any mill or depot.
- (l) "Tallyman or measurer" is an employee who by measuring and/or calculating quantities keeps an account of timber, and does not include one who merely measures lengths of timber, or merely counts timber by pieces.
- (m) "Timber grader" means an adult employee who grades timber according to quality into three or more classes.
- (n) "Tramway builder or repairer" means an employee engaged in the work of tramway construction and maintenance, but does not include the work of clearing the track and forming the permanent way, or the work ordinarily performed by a fittler.
- (o) "Union" means the Australian Timber Workers' Union.
- (p) "Water dogman" means a crane attendant usually and ordinarily engaged in the work of handling in water round logs, or hewn logs or oregon spars.
- (q) "Year" means a year commencing the 23rd day of January in each year.

CLASSIFICATION OF SAW BENCHES.

24. The following provisions shall apply to log sawmills :—

- (a) A breaking down bench shall include a circular saw, a band saw, twin saws, horizontal saw, or vertical saw when any of such saws is used for the purposes of reducing a log to fitches.
- (b) A No. 1 Bench shall mean any bench which takes fitches 3 inches thick or over from the breaking down bench.
- (c) A No. 2 Bench shall mean any bench which is fed directly from a No. 1 Bench or an edger saw bench and which is not being used as a picket bench within sub-clause (e) hereof.
- (d) A No. 3 Bench shall mean any bench which is fed directly from a No. 2 Bench, and which is not being used as a picket bench within sub-clause (e) hereof.
- (e) A No. 4 Bench shall mean a bench on which timber is cut into pickets, laths, droppers, palings, staves, or other small sizes which small sizes do not exceed 3 inches by 1½ inches by 9 feet or the equivalent in section by 9 feet.

MEASURING LOGS.

25. All logs felled or hauled at piece-work rates shall be measured at the mill landing. Particulars of the logs so measured shall be given to the piece-worker at least once a fortnight unless otherwise agreed upon by the employer and employee, and such particulars shall set out the name of the mill supplied, the name or names of the employees, the date, the brand, the length, the girth, and the cubic foot of such logs. Provided that in respect of measuring red gum logs an agreement may be entered into between the State branch of the union and employers.

SPECIAL TRANSPORT OF INJURED.

26. The employer shall as soon as is reasonably possible supply means free of charge to convey to the nearest hospital or doctor at which or by whom the employee is to be treated any employee so seriously injured that it is not reasonably possible for such employee to travel independently of such conveyance.

ACCOMMODATION.

Rents of Houses and Huts.

27. (a) The employer may charge such rent for the use and occupation of huts or houses owned or controlled by him as may be agreed upon between the employer, the employee, and the union. In default of such agreement such rent as shall not exceed the amount ascertained by the Commonwealth Statistician as the average rental for four or five-roomed houses in relation to four towns for the State of Victoria. No employee shall be charged any rent by his employer for any house or hut occupied by him unless such house has been built by the employer or some previous employer at the employer's own expense or purchased by him from some prior owner.

Sanitation.

(b) The employer shall provide at every sawmill, timber yard, or bush camp where persons are constantly employed proper sanitary conveniences.

Supply of Water, Fuel, and Lighting.

(c) Where water, fuel, or lighting is supplied by the employer to an employee at a charge payable to the employer, then such charge shall be fixed by agreement between the employer, the employee, and the union.

Sleeping Accommodation.

(d) Where the employer provides houses or huts for the use and occupation of his employees at a bush mill or camp, or in the bush, the following provisions shall apply:—

- (i) No room shall have a floor space less than 10 feet by 12 feet. This requirement shall not apply to existing buildings having a floor space of not less than 10 feet by 8 feet which have been approved by the union.
- (ii) No room shall have a height of less than 8 feet, but this shall not apply to existing buildings the rooms of which have a height of not less than 7 feet.
- (iii) There shall be one glazed sash in each room or hut.
- (iv) Not more than two employees shall be permitted to occupy a room.

Shower Baths.

(e) In all sawmills in the bush cold showers shall be provided where it is practicable to do so.

ROYALTIES.

28. Where timber is obtained from Crown lands or private property the employer shall pay any royalty charged on the timber, or where the employee obtaining the timber pays royalty such royalty shall be paid by the employer to the employee in addition to the rates of pay proscribed herein.

SHIFTING OR ERECTING CAMP.

29. Any employee employed in shifting or erecting camp or assisting therein or in clearing the site for a camp shall be paid at his ordinary rates for the time he is so employed.

PAYMENT OF WAGES.

30. (a) All wages due and payable to employees in the bush and at bush sawmills shall be paid in such manner as may be agreed upon between the employer, the employee, and the union; or in default of such agreement: (i) where a bank exists within five miles of the mill or place where the work is performed, weekly in cash at the mill or such place; (ii) where no bank exists within five miles of such mill or place, fortnightly in cash at such mill or place. Such payment shall not be delayed more than four working days after the expiration of the period in respect of which the wages are due and payable.

(b) All wages due and payable to employees in towns and cities shall be paid weekly in cash at the mill or place where the work is performed. Such payment shall be made not later than two days following the expiration of the pay week observed by the employer at his works and in any case not later than Friday, but the accepted pay-day shall not be altered without seven days' prior notice to the State branch of the union.

(c) Should any employee wherever employed be dismissed during the course of a week, he shall be paid at the usual place of payment, on demand there by him, any wages which are legally due to him within fifteen minutes of dismissal, provided that if the usual place of payment be on the work in the bush, then such payment shall be made within 30 minutes of the usual ceasing time on the day of dismissal at the usual place of payment.

(d) If payment be delayed for more than fifteen minutes through default of the employer the employee shall be paid at overtime rates for three hours or until the hour of payment whichever shall first occur if payment be made on the day of default and if payment be not made on that day shall in addition be paid at overtime rates for all ordinary working hours between the end of the day of default and the day of payment provided that this penalty rate shall not exceed payment as for forty-four hours.

ANNUAL HOLIDAY.

31. The annual holiday shall be as prescribed by the provisions of the *Factories and Shops (Annual Holidays) Act 1946* (No. 5111), and any amendments which may be made thereto from time to time.

(In his or her own interests each employer of labour should obtain a copy of the above Act, which may be purchased from the Government Printer, Melbourne, at a cost of 9d., plus postage.)

TRAM AND TRAIN LINES.

32. All tram and train lines owned or controlled by the employer shall be kept in good order by the employer.

SHOP STEWARDS.

33. The employer shall give recognition to any employee who is appointed shop steward in any timber yard, sawmill, workshop, or place where he is employed, and he shall be allowed the necessary time to interview the employer in working hours on such matters affecting the employees in such timber yard, sawmill, workshop, or place.

FIRST AID OUTFIT.

34. (a) The employer shall provide and continuously maintain an efficient first-aid outfit and appliances, including a stretcher suitable for the carriage of injured persons at each sawmill, factory, bush landing and stacking or timber yard.

(b) The first-aid outfit shall contain the following equipment:—

- Antiseptic solution—1 bottle.
- Bandages, cotton and gauze—1 dozen assorted sizes.
- Castor oil—2 oz.
- Iodine, tincture of—2 oz.
- Manual, first aid—1.
- Petrolatum, carbolized—1 jar.
- Picric acid solution, made according to the following recipe or prescription:— $1\frac{1}{2}$ teaspoonsful of powdered picric acid, 3 oz. of absolute alcohol, and 2 pints distilled water—1 pint.
- Pins, safety—1 packet.
- Sal volatile—6 oz.
- Scissors—1 pair.
- Tourniquet—1.
- Tweezers—1 pair.
- Gauze, sterilized, plain cotton, absorbent lint, absorbent plaster, adhesive—an adequate assortment.

CONTRACTORS.

35. (a) Where a person bound by this Determination (hereinafter referred to as the "principal") enters into a contract with any person (hereinafter referred to as the "contractor") for the supply to the principal of logs or sleepers or timber and where such contractor is by the terms of the contract to supply such logs, sleepers, or timber from the property of the principal or from property in the possession of or under his control or from property in which the employer has or controls the timber rights; or

(b) Where the principal enters into a contract with any contractor for the manufacture and supply to him or on his behalf of boxes, cases, or crates, or any part thereof; and

(c) The contract in either case involves the payment of wages the principal shall make it a term of the contract that the provisions of this Determination shall be observed by the contractor in regard to his employees and the principal shall, subject to the conditions hereinafter prescribed, be liable for the payment of such wages—

- (i) he shall not be liable in any case to an amount exceeding the full amount payable by him to the contractor under the contract;

(ii) he shall not be liable for the payment of any wages to any employee in respect of whom he receives from the contractor a statement in writing signed and acknowledged by the employee concerned that he has been paid all wages in full:

Provided that the receipt of such a statement and acknowledgment shall not affect the principal's liability in respect of any wages which become due and payable after the date specified therein as the date to which wages have been paid in full;

(iii) in the event of the full amount payable to the contractor under the contract being insufficient to pay in full the wages payable to the employees of the contractor the amount payable shall be applied *pro rata* in the settlement of the outstanding claims;

(iv) he shall make it a term of the contract that he shall retain so much of the moneys as otherwise would be payable to the contractor thereunder to enable him to discharge his liability under this clause.

(d) "Wages" for the purposes of this clause includes any rate of remuneration prescribed by this Determination.

PROVISION OF CONVENIENCES.

36. Except as otherwise provided by State law employers shall provide, free of charge to the employees—

(a) at each sawmill, factory, or timber yard in cities and towns or in the bush, where living accommodation is not provided and where ten or more employees are engaged, suitable dining accommodation;

(b) at each sawmill, factory, or timber yard in the cities and towns specifically referred to in Table "A" of clause 37 or in urban areas suitable lockers or suitable clothes-hanging facilities;

(c) where practicable, boiling water at meal times;

(d) at each sawmill, factory, or timber yard in which five or more employees are engaged reasonable and sufficient conveniences to enable the employees to wash themselves.

Provided that the provisions of sub-clauses (a) and (b) hereof shall not for such period or periods as the Wages Board may fix apply to any employer who proves to the satisfaction of the union, or, failing that, of the Wages Board, that he is unable, by reason of lack of space, shortage of material, or labour or any other difficulties to provide dining accommodation, lockers, or clothes-hanging facilities as aforesaid. In cases where dining accommodation, lockers, or clothes-hanging facilities are not provided at the date upon which this order comes into operation, this clause shall not apply until the 1st day of March, 1945, and the Wages Board may extend the time for providing such dining accommodation or lockers as aforesaid.

Provided further, however, that where employees do not desire dining accommodation an employer shall not be compelled to provide same.

PERIODICAL ADJUSTMENT OF WAGES.

37. The wages rates, set out in clause 2, are based upon the following basic wage rates, and, pursuant to the provisions of section 21 of the *Factories and Shops Act 1934*, the Board determines that such rates shall be automatically adjusted as prescribed by clause 38.

In addition to the total basic wage provided in this clause the rates set out in clauses 2 (a) and 2 (b) contain margins granted prior to the coming into operation of this Determination, and a war loading as follows:—

Where the marginal rate is 28s. and over, 3s. war loading.

Where the marginal rate is 21s. and under 28s., 2s. 6d. war loading.

Where the marginal rate is 12s. and under 21s., 2s. war loading.

Where the marginal rate is 5s. and under 12s., 1s. 6d. war loading.

Such war loadings shall be set off against general or special loadings which may subsequently be determined.

The minimum amount per week to be paid to adult female employees (other than an aged or infirm worker) engaged in the making of sporting goods, plywood, veneer, and small wooden articles shall be 54 per cent. of the total basic wage payable from time to time for the respective area or place set out in Table "A" hereof. Such calculation shall be made to the nearest 6d., half or less than half of 6d. in the result to be disregarded. In addition to the resultant basic wage so obtained, the rates payable as shown in clause 2 (b) contain certain margins granted prior to the operation of this Determination.

Table "A".

Place.	Needs Basic Wage Adjustable:	Loading Constant.	Total Basic Wage.	Index Number Set Assigned.
Within 20 miles of G.P.O., Melbourne	£ s. d. 5 1 0	s. d. 6 0	£ s. d. 5 7 0	Melbourne
Within 10 miles of G.P.O., Geelong, or at Warrnambool—same as contemporaneous basic wage for Melbourne				
Mildura and Gippsland Districts—same as contemporaneous basic wage for Melbourne				
Yallourn—until further order the same amount in excess of Melbourne as at present, viz., 6s. 6d. per week				
In the bush and in bush sawmills and elsewhere in the State—3s. less than the contemporaneous basic wage for Melbourne				

Male adult employees in bush or in bush sawmills or in log sawmills outside the cities and towns specifically referred to in Table "A" shall, in addition to the total basic wage, be paid 2s. per week as the allowance referred to in clause 9 (c) hereof. Where an employer has such a bush sawmill or log sawmill this provision shall apply to all his employees at that place of business.

ADJUSTMENT OF BASIC WAGE.

38. (a) For the purposes of this Determination, the expression "Commonwealth Statisticians' 'all times' retail price index numbers" or any like expression means the numbers stated to be such index numbers in any document purporting, and not proved to be wrongly so purporting, to be printed by the Commonwealth Government Printer or to be signed by or on behalf of the Commonwealth Statistician.

(b) Until the beginning of the first pay period, to commence in August, 1947, the amounts of the Basic Wage shall be as prescribed in clause 37.

(c) During each future successive period beginning with the first pay period to commence in an August, a November, a February, or a May, the amounts of the needs basic wage shall be adjusted by the following method, namely, by multiplying the last published Commonwealth Statistician's "all items" retail price index number by the factor .087 taken to one place of decimals, the resultant whole number being the amount of the basic wage expressed in shillings, but should the decimal number reach .5 or more the basic wage shall be taken to the next higher shilling.

P. A. RANGLES, J.P., Chairman.

J. V. WILLOX, Secretary.

Melbourne, 17th March, 1947.



VICTORIA GOVERNMENT GAZETTE.

Published by Authority.

[Registered at the General Post Office, Melbourne, for transmission by post as a newspaper.]

No. 305]

TUESDAY, JULY 8.

[1947

Factories and Shops Acts.

DETERMINATION OF THE CYCLE TRADE BOARD.

NOTES.—(a) This Determination applies to the whole of the State of Victoria.

(b) RE APPRENTICES OR IMPROVERS.—On the 5th March, 1930, the trade of motor cycle mechanic was proclaimed an Apprenticeship Trade under the Apprenticeship Act 1927, and, so far as the Metropolitan District is concerned, the provisions of that Act and the Regulations thereunder determine the conditions of employment of apprentices indentured after 5th March, 1930, and of improvers permitted to enter the trade after 20th November, 1929.

Particulars of such Regulations may be obtained on application to the Secretary, Apprenticeship Commission, Melbourne. Price, 3d.

IN accordance with the provisions of the Factories and Shops Acts, the Wages Board which, since 15th November, 1937, has had the power "to determine the lowest prices or rates which may be paid to any person or persons or classes of persons wheresoever employed in any process, trade, or business connected with or incidental to—

(a) the making or repairing of bicycles, tricycles, or motor cycles; or

(b) the making or repairing of any part or parts (other than tyres or engines) of a bicycle, tricycle, or motor cycle,

but not including any process, trade or business subject to the Determination of any Wages Board heretofore appointed, has made the following Determination, namely:—

1. That as from the beginning of the first pay period to commence on or after the 8th May, 1947, the last previous Determination of this Board shall be revoked and replaced by this Determination.

2.

(a) *Apprentices.		(b) *Improvers.		(c) Other Employees.	
Weekly Wages.		Weekly Wages.		Weekly Wages Day Shift.	
s. d.		s. d.		s. d.	
1st year	.. 24 9	1st year	.. 24 0	Foremen, where over five adults are employed	.. 155 6
2nd "	.. 31 0	2nd "	.. 29 9	Foremen, where five adults or fewer are employed	.. 153 3
3rd "	.. 49 0	3rd "	.. 47 3	Lathe hands	.. 152 0
4th "	.. 71 3	4th "	.. 68 6	Builders and repairers of motor cycle frames and frames other than cycle frames	.. 140 3
5th "	.. 94 3	5th "	.. 91 0	Builders or repairers or brazers of cycle frames	.. 138 0
And thereafter, until attaining the age of 21 years, four-fifths of the journeyman's rate.		And thereafter four-fifths of the journeyman's rate.		Other repairers of motor cycles (except lathe hands)	.. 140 3
PROPORTION (IN ANY PLACE).		Provided that any improver who commences at the trade after attaining the age of 17 years shall be paid 20 per cent. in addition to the above rates.		Other repairers (except lathe hands)	.. 138 0
One apprentice to every three or fraction of three persons receiving not less than 126s. per week.		PROPORTION (IN ANY PLACE).		Assemblers of motor cycles	.. 138 0
		One improver to one person receiving not less than 126s. per week, two improvers to two or three such persons, thereafter two additional improvers to every three additional such persons.		Other assemblers	.. 130 6
				Filers on motor and other cycles	.. 130 6
				Wheel-builders on motor and other cycles	.. 130 6
				Foremen in rim-making	.. 142 6
				All others employed in rim-making	.. 130 6
				Persons cleaning off joints by sand-blasting or by shot-blasting	.. 130 6
				Handle-bar benders—	
				By the mandrel method	.. 126 0
				By any other method	.. 130 6
				Persons not provided for otherwise	.. 120 0

* Except those covered by the Apprenticeship Act.

ORDINARY WEEK'S WORK.

3. The number of hours which shall constitute an ordinary week's work shall be 44. Provided that, in any place where the principal work carried on is incidental to and directly connected with the employer's retail business not more than two persons may be employed for a maximum of 46 hours per week without payment of overtime rates.

SPECIAL RATES.

Dirty Work.

4. (a) Work which a foreman and workman shall agree is of an unusually dirty or offensive nature—1½d. per hour extra.

In case of disagreement between the foreman and workman, the workman or a shop steward on his behalf shall be entitled, within 24 hours, to ask for a decision on the workman's claim by the employer's industrial officer (if there be one), or otherwise by the employer or the executive officer responsible for the management or superintendence of the plant concerned. In such case a decision shall be given on the workman's claim within 48 hours of its being asked for (unless that time expires on a non-working day, in which case it shall be given during the next working day), or else the said allowance shall be paid.

In any case where an organization alleges that an employer or his representative is persistently unreasonable or capricious in relation to such claims, it may bring such case before the Wages Board.

Rate not Subject to Penalty Additions.

(b) The special rate herein prescribed shall be paid irrespective of the times at which the work is performed, and shall not be subject to any premium or penalty additions.

HOURS OF WORK (EXCEPT IN RETAIL SHOPS).

Day Workers.

5. (a) Subject to the exceptions hereinafter provided the ordinary hours of work shall be 44 per week to be worked in five days of 8 hours (Monday to Friday inclusive) and one day (Saturday) of 4 hours; or five days (Monday to Friday inclusive) of 8 hours 48 minutes each continuously except for meal breaks at the discretion of the employer, between 7 a.m. and 5.30 p.m. on Monday to Friday inclusive, and 7 a.m. and noon on Saturday.

In localities where the recognized half-holiday is on a day other than Saturday the day so recognized may be substituted for Saturday for all the purposes of this Determination.

Provided that the spread of hours herein prescribed may be altered as to all or a section of the employees by mutual agreement between an employer and the representative of the union in that shop.

Five-days' Week.

(b) In any case in which the ordinary week's work of 44 hours can be performed in five days as aforesaid without—

- (i) detriment to the public interest;
- (ii) loss in the value of goods handled or to be handled;
- (iii) reducing the efficiency of production; or
- (iv) reducing the efficacy of the necessary service,

the employer shall on or before the 1st July, 1946, allow those employees who so desire to do so to work their ordinary hours in five days as aforesaid. Any dispute as to whether the ordinary hours of work can in any case or cases be worked in five days without detriment, loss or reduction as aforesaid shall be determined by the Wages Board upon application made by or on behalf of the employees. Upon such an application proof that the working of a five-days week will result in such detriment, loss or reduction as aforesaid shall be upon the employer.

This sub-clause shall not apply to employees engaged on the maintenance and servicing of plant.

It is a condition of the allowing of a five-days week hereunder that if required employees shall comply with the reasonable and lawful orders of the employer as to working overtime, including the working of overtime on Saturday.

SHIFT WORK.

Definitions.

6. (a) For the purposes of this clause—

- "Afternoon shift" means any shift finishing after 6 p.m. and at or before midnight.
- "Continuous work" means work carried on with consecutive shifts of men throughout the 24 hours of each of at least six consecutive days without interruption except during breakdowns or meal breaks, or due to unavoidable causes beyond the control of the employer.
- "Night shift" means any shift finishing subsequent to midnight and at or before 8 a.m.
- "Rostered shift" means a shift of which the employee concerned has had at least 48 hours' notice.

Hours—Continuous Work Shifts.

(b) This sub-clause shall apply to shift workers on continuous work as hereinbefore defined.

The ordinary hours of such shift workers shall not exceed—

- (i) 8 in any one day; or
- (ii) 48 in any one week; or
- (iii) 88 in 14 consecutive days; or
- (iv) 176 in 28 consecutive days.

Subject to the following conditions such shift workers shall work at such times as the employer may require—

- (i) a shift shall consist of eight hours, inclusive of crib time;
- (ii) except at the regular change-over of shifts an employee shall not be required to work more than one shift in each 24 hours;
- (iii) twenty minutes shall be allowed to shift workers each shift for crib, which shall be counted as time worked.

Hours—Other than Continuous Work.

(c) This sub-clause shall apply to shift workers not upon continuous work as hereinbefore defined. The ordinary hours of such shift workers shall not exceed—

- (i) 44 in any week to be worked in five shifts of 8 hours 48 minutes on Monday to Friday, inclusive, or five shifts of 8 hours and one shift (Saturday) of four hours; or
- (ii) 88 in 14 consecutive days, in which case an employee shall not, without payment for overtime, be required to work more than 8 consecutive hours on any shift or more than six shifts in any week.
- (iii) 132 in 21 consecutive days, in which case an employee shall not, without payment of overtime, be required to work more than eight consecutive hours on any shift or more than six shifts in any week.

Such ordinary hours shall be worked continuously, except for meal breaks, at the discretion of the employer. An employee shall not be required to work for more than six hours without a break for a meal.

Except at regular change-over of shifts an employee shall not be required to work more than one shift in each 24 hours.

Rosters.

(d) Shift rosters shall specify the commencing and finishing times of ordinary working hours of the respective shifts.

Variation by Agreement.

(e) The method of working shifts may in any case be varied by agreement between the employer and the accredited representative of the union to suit the circumstances of the establishment.

The time of commencing and finishing shifts once having been determined may be varied by agreement between the employer and the accredited representative of the union to suit the circumstances of the establishment, or in the absence of agreement by seven days' notice of alteration given by the employer to the employees.

Afternoon or Night Shift Allowances.

(f) Shift workers on continuous work whilst on afternoon or night shifts shall be paid $7\frac{1}{2}$ per cent. more than the ordinary rates for such shifts.

Shift workers on other than continuous work whilst on afternoon or night shifts shall be paid 10 per cent. more than the ordinary rates for such shifts.

Shift workers who work on any afternoon or night shift which does not continue for at least five successive afternoons or nights in a five-day workshop or for at least six successive afternoons or nights in a six-day workshop shall be paid at the rate of time and a half.

An employee who—

- (i) during a period of engagement on shift works night shift only; or
- (ii) remains on night shift for a longer period than four consecutive weeks; or
- (iii) works on a night shift which does not rotate or alternate with another shift or with day work so as to give him at least one-third of his working time off night shift in each shift cycle,

shall during such engagement period or cycle, be paid at the rate of time and a quarter for all time worked during ordinary working hours on such night shifts.

Overtime.

(g) Shift workers for all time worked in excess of or outside the ordinary working hours prescribed by this Determination or on a shift other than a rostered shift shall—

- (i) if employed on continuous work be paid at the rate of double time; or
- (ii) if employed on other shift work at the rate of time and a half for the first four hours and double time thereafter,

except in each case when the time is worked—

- (iii) by arrangement between the employees themselves;
- (iv) for the purpose of effecting the customary rotation of shifts; or
- (v) is due to the fact that the relief man does not come on duty at the proper time; or
- (vi) on a shift to which an employee is transferred on short notice as an alternative to standing the employee off in circumstances which would entitle the employer to deduct payment for a day in accordance with clause 9 (b) hereof.

Provided that when not less than 8 hours' notice has been given to the employer by the relief man that he will be absent from work and the employee whom he should relieve is not relieved the unrelieved employee shall be paid at the rate of time and a half for the first four hours on duty after he has finished his ordinary shift and at the rate of double time thereafter except where the employee is required to continue to work on his rostered day off when he shall be paid double time.

Sundays and Holidays.

(h) Shift workers on continuous work shifts for work done on a rostered shift the major portion of which is performed on a Sunday or holiday shall be paid at the rate of time and a half.

Shift workers on other than continuous work for all time worked on a Sunday or holiday shall be paid at the rates prescribed by clause 8 of this Determination. Where shifts commence between 11 p.m. and midnight on a Sunday or holiday the time so worked before midnight shall not entitle the employee to the Sunday or holiday rate; provided that the time worked by an employee on a shift commencing before midnight on the day preceding a Sunday or holiday and extending into a Sunday or holiday shall be regarded as time worked on such Sunday or holiday.

Junior and Female Employees.

(i) Female shift workers, apprentices or juniors whilst on afternoon or night shifts shall be paid not less than the rates hereinbefore prescribed or 1s. per shift whichever is the higher.

OVERTIME.

7. (a) For all work done outside ordinary hours the rates of pay shall be time and a half for the first four hours and double time thereafter, such double time to continue until the completion of the overtime work; provided that in the case of an apprentice or a junior the rate for overtime shall be not less than the rate herein prescribed or 1s. 6d. per hour, whichever is the higher.

Except as provided in this sub-clause or sub-clause (b) hereof in computing overtime each day's work shall stand alone.

Rest Period after Overtime.

(b) When overtime work is necessary it shall, wherever reasonably practicable, be so arranged that employees have at least eight consecutive hours off duty between the work of successive days.

An employee (other than a casual employee) who works so much overtime between the termination of his ordinary work on one day and the commencement of his ordinary work on the next day that he has not at least eight consecutive hours off duty between those times shall, subject to this sub-clause, be released after completion of such overtime until he has had eight consecutive hours off duty without loss of pay for ordinary working time occurring during such absence.

If on the instructions of his employer such an employee resumes or continues work without having had such eight consecutive hours off duty he shall be paid at double rates until he is released from duty for such period and he shall then be entitled to be absent until he has had eight consecutive hours off duty without loss of pay for ordinary working time occurring during such absence.

Call Back.

(c) An employee recalled to work overtime after leaving his employer's business premises (whether notified before or after leaving the premises) shall be paid for a minimum of three hours' work at the appropriate rate for each time he is so recalled; provided that, except in the case of unforeseen circumstances arising, the employee shall not be required to work the full three hours if the job he was recalled to perform is completed within a shorter period. This sub-clause shall not apply in cases where it is customary for an employee to return to his employer's premises to perform a specific job outside his ordinary working hours, or where the overtime is continuous (subject to a reasonable meal break) with the completion or commencement of ordinary working time.

Overtime worked in the circumstances specified in this sub-clause shall not be regarded as overtime for the purposes of sub-clause (b) of this clause where the actual time worked is less than three hours on such recall or on each of such recalls.

Saturday Work—Five-days Week.

(d) A day worker on a five-days week required to work overtime on a Saturday shall be afforded at least three hours' work or paid for three hours at the appropriate rate except where such overtime is continuous with overtime commenced on the day previous.

Standing By.

(e) Subject to any custom now prevailing under which an employée is required regularly to hold himself in readiness for a call back, an employee required to hold himself in readiness to work after ordinary hours shall until released be paid standing-by time at ordinary rates from the time from which he is so to hold himself in readiness.

Meal Hours—General.

(f) For work done during meal hours and thereafter until a meal-hour break is allowed time and a half rates shall be paid. An employee shall not be compelled to work for more than six hours without a break for a meal.

Meal Hours—Maintenance Employees.

(g) Subject to the provisions of the second part of sub-clause (f) of this clause an employee employed as a regular maintenance man shall work during meal breaks at the ordinary rates herein prescribed whenever instructed to do so for the purpose of making good breakdowns of plant or upon routine maintenance of plant which can only be done while such plant is idle.

Crib Time.

(h) An employee working overtime shall be allowed a crib time of twenty minutes without deduction of pay after each four hours of overtime worked if the employee continues work after such crib-time.

Provided that where a day worker on a five-days week is required to work overtime on a Saturday the first prescribed crib time shall, if occurring between 10 a.m. and 1 p.m., be paid at ordinary rates.

Unless the period of overtime is less than one and a half hours an employee before starting overtime after working ordinary hours shall be allowed a meal break of twenty minutes which shall be paid for at ordinary rates. An employer and employee may agree to any variation of this provision to meet the circumstances of the work in hand provided that the employer shall not be required to make any payment in respect of any time allowed in excess of twenty minutes.

Tea Money.

(i) An employee required to work overtime for more than two hours without being notified on the previous day or earlier that he will be so required to work shall either be supplied with a meal by the employer or paid 2s. and 1s. 3d. for each subsequent meal, but such payment need not be made to employees living in the same locality as their workshops who can reasonably return home for meals.

Unless the employer advises an employee on the previous day or earlier that the amount of overtime to be worked will necessitate the partaking of a second or subsequent meal (as the case may be) the employer shall provide such second and/or subsequent meals or make payment in lieu thereof as above prescribed.

If an employee pursuant to notice has provided a meal or meals and is not required to work overtime or is required to work less than the amount advised he shall be paid as above prescribed for meals which he has provided, but which are surplus.

Transport of Employees.

(j) When an employee, after having worked overtime, or a shift for which he has not been regularly rostered, finishes work at a time when reasonable means of transport are not available, the employer shall provide him with a conveyance to his home, or pay him his current wage for the time reasonably occupied in reaching his home.

SPECIAL RATE FOR SUNDAYS AND PUBLIC HOLIDAYS.

8. Double time shall be the rate for all work done on Sunday, New Year's Day, Australia Day, Good Friday, Easter Monday, Labour Day, King's Birthday, Christmas Day, and Boxing Day, but if any other day be by Act of Parliament or Proclamation substituted for any of the above-named holidays the special rate shall be payable only for work done on the day so substituted.

CONTRACT OF EMPLOYMENT.*Weekly Employment.*

9. (a) Except as hereinafter provided, employment shall be by the week. Any employee not specifically engaged as a casual employee shall be deemed to be employed by the week.

(b) Employment shall be terminated by a week's notice on either side given at any time during the week or by the payment or forfeiture of a week's wages, as the case may be. This shall not affect the right of the employer to dismiss any employee without notice for malingering, inefficiency, neglect of duty or misconduct, and in such cases, the wages shall be paid up to the time of dismissal only, or to deduct payment for any day the employee cannot be usefully employed because of any strike or through any breakdown in machinery or any stoppage of work by any cause for which the employer cannot reasonably be held responsible.

(c) An employee not attending for duty shall, except as provided by clause 10, hereof, lose his pay for the actual time of such non-attendance.

Casual Employment.

(d) A casual employee is one engaged and paid as such. A casual employee for working ordinary time shall be paid per hour one-fortieth of the weekly rate prescribed by this Determination for the work which he or she performs.

Late Comers.

(e) Notwithstanding anything elsewhere contained in this Determination an employer may select and utilize for time-keeping purposes any fractional or decimal proportion of an hour (not exceeding a quarter of an hour) and may apply such proportion in the calculation of the working time of employees who without reasonable cause promptly communicated to the employer, report for duty after their appointed starting times or cease duty before their appointed finishing times.

An employer who adopts a proportion for the aforesaid purpose shall apply the same proportion for the calculation of overtime.

SICK LEAVE.

10. (a) An employee on weekly hiring who is absent from his work on account of personal illness, or on account of injury by accident arising out of and in the course of his employment, shall be entitled to leave of absence, without deduction of pay, subject to the following conditions and limitations:—

(i) He shall not be entitled to paid leave of absence for any period in respect of which he is entitled to Workers' Compensation.

(ii) He shall, within 24 hours of the commencement of such absence, inform the employer of his inability to attend for duty and, as far as practicable, state the nature of the injury or illness and the estimated duration of the absence.

(iii) He shall prove to the satisfaction of his employer (or in the event of dispute, the Wages Board) that he was unable on account of such illness or injury to attend for duty on the day or days for which sick leave is claimed.

(iv) He shall not be entitled in any year (whether in the employ of one employer or of several) to leave in excess of 44 hours of working time.

For the purpose of administering paragraph (iv) of this sub-clause an employer may, within one month of this Determination coming into operation or within two weeks of the employee entering his employment, require an employee to make a sworn declaration or other written statement as to what paid leave of absence he has had from any employer during the then current year; and upon such statement the employer shall be entitled to rely and act.

Single Day Absences.

(b) In the case of an employee who claims to be allowed paid sick leave in accordance with this clause for an absence of one day only such employee if in the year he has already been allowed paid sick leave on more than one occasion for one day only, shall not be entitled to payment for the day claimed unless he produces to the employer a certificate of a duly-qualified medical practitioner that in his, the medical practitioner's opinion the employee was unable to attend for duty on account of personal illness or on account of injury by accident. Nothing in this sub-clause shall limit the employer's rights under sub-clause (a) (iii) hereof.

Cumulative Sick Leave.

(c) Notwithstanding the provisions of sub-clause (a) hereof sick leave shall accumulate from year to year so that any balance of the period specified in sub-clause (a) (iv) of this clause which has in any year not been allowed to an employee by an employer as paid sick leave may be claimed by the employee and subject to the conditions hereinbefore prescribed shall be allowed by that employer in a subsequent year without diminution of the sick leave prescribed in respect of that year. Provided that sick leave which accumulates pursuant to this sub-clause shall be available to the employee for a period of two years, but for no longer from the end of the year in which it accrues.

Attendance at Hospital, &c.

(d) Notwithstanding anything contained in sub-clause (a) hereof an employee suffering injury through an accident arising out of and in the course of his employment (not being an injury in respect of which he is entitled to workers' compensation) necessitating his attendance during working hours on a doctor, chemist or trained nurse, or at a hospital, shall not suffer any deduction from his pay for the time (not exceeding four hours) so occupied on the day of the accident, and shall be reimbursed by the employer all expenses reasonably incurred in connexion with such attendance.

ANNUAL LEAVE.

Period of Leave.

11. (a) A period of fourteen consecutive days' leave shall be allowed annually to an employee after twelve months' continuous service (less the period of annual leave) as an employee on weekly hiring in any one or more of the occupations to which this Determination applies.

Seven-day Shift Workers.

(b) In addition to the leave hereinbefore prescribed seven-day shift workers, that is shift workers who are rostered to work regularly on Sundays and holidays shall be allowed seven consecutive days' leave including non-working days.

Where an employee with twelve months' continuous service is engaged for part of the twelve-monthly period as a seven-day shift worker, he shall be entitled to have the period of fourteen consecutive days' annual leave prescribed in sub-clause (a) hereof increased by half a day for each month he is continuously engaged as aforesaid.

Annual Leave Exclusive of Public Holidays.

(c) Subject to this sub-clause the annual leave prescribed by this clause shall be exclusive of any of the holidays prescribed by clause 8 of this Determination, and if any such holiday falls within an employee's period of annual leave and is observed on a day which in the case of that employee would have been an ordinary working day, there shall be added to the period of annual leave time equivalent to the ordinary time which the employee would have worked if such day had not been a holiday.

Where a holiday falls as aforesaid and the employee fails without reasonable cause proof whereof shall be upon him to attend for work at his ordinary starting time on the working day immediately following the last day of the period of his annual leave he shall not be entitled to be paid for any such holiday.

Broken Leave.

(d) The annual leave shall be given and taken in a continuous period or, if the employee and the employer so agree, in two separate periods and not otherwise.

Calculation of Continuous Service.

(e) For the purposes of this clause service shall be deemed to be continuous notwithstanding—

- (i) any interruption or termination of the employment by the employer if such interruption or termination has been made merely with the intention of avoiding obligations hereunder in respect of leave of absence;
- (ii) any absence from work on account of personal sickness or accident or on account of leave lawfully granted by the employer; or
- (iii) any absence with reasonable cause proof whereof shall be upon the employee.

In cases of personal sickness or accident or absence with reasonable cause the employee to become entitled to the benefit of this sub-clause shall inform the employer in writing if practicable within 24 hours of the commencement of such absence of his inability to attend for duty and as far as practicable the nature of the illness injury or cause and the estimated duration of his absence. A notification given by an employee pursuant to clause 10 shall be accepted as a notification under this sub-clause.

Any absence from work by reason of any cause not being a cause specified in this sub-clause shall not be deemed to break the continuity of service for the purposes of this clause unless the employer during the absence or within fourteen days of the termination of the absence notifies the employee in writing that such absence will be regarded as having broken the continuity of service.

In cases of individual absenteeism such notice shall be given in writing to the employee concerned, but in cases of concerted or collective absenteeism notice may be given to employees by the posting up of a notification in the plant, in the manner in which general notifications to employees are usually made in that plant and by posting to the union whose members have participated in such concerted or collective absenteeism a copy of same not later than the day it is posted up in the plant.

A notice to an individual employee may be given by delivering same to him personally or by posting it to his last recorded address, in which case it shall be deemed to have reached him in due course of post.

In calculating the period of twelve months' continuous service any such absence as aforesaid shall not, except to the extent of not more than fourteen days in a twelve-monthly period in the case of sickness or accident, be taken into account in calculating the period of twelve months' continuous service.

Calculation of Service.

(f) Service before the date of operation of this Determination shall be taken into consideration for the purpose of calculating annual leave, but an employee shall not be entitled to leave or payment in lieu thereof for any period in respect of which leave or a payment in lieu thereof has been allowed or made under the clause hereby revoked. Provided however, that in respect of service before the 1st January, 1946, the annual leave shall be allowed at the rate of 3½ hours for each completed one month of continuous service and in respect of service after that date at the rate of 7½ hours for each completed one month of continuous service. Any broken part of a month served before the 1st January, 1946, shall for the purposes of this clause be deemed to be service after the 1st January, 1946. The period of annual leave to be allowed under this sub-clause shall be calculated to the nearest day any broken part of a day in the result not exceeding half a day to be disregarded.

Where the employer is a successor or assignee or transferee of a business if an employee was in the employment of the employer's predecessor at the time when he became such successor or assignee or transferee the employee in respect of the period during which he was in the service of the predecessor shall for the purpose of this clause be deemed to be in the service of the employer.

Calculation of Month.

(g) For the purpose of this clause a month shall be reckoned as commencing with the beginning of the first day of the employment or period of employment in question and as ending at the beginning of the day which in the latest month in question has the same date number as that which the commencing day had in its month and if there be no such day in such subsequent month shall be reckoned as ending at the end of such subsequent month.

Leave to be Taken.

(h) The annual leave provided for by this clause shall be allowed and shall be taken and except as provided by sub-clauses (l) and (m) hereof payment shall not be made or accepted in lieu of annual leave.

Time of Taking Leave.

(i) Annual leave shall be given at a time fixed by the employer within a period not exceeding six months from the date when the right to annual leave accrued and after not less than two weeks' notice to the employee.

Leave Allowed before Due Date.

(j) An employer may allow annual leave to an employee before the right thereto has accrued due, but where leave is taken in such a case a further period of annual leave shall not commence to accrue until after the expiration of the twelve months in respect of which annual leave had been taken before it accrued.

Where leave has been granted to an employee pursuant to this sub-clause before the right thereto has accrued due and the employee subsequently leaves or is discharged from the service of the employer before completing the twelve months' continuous service in respect of which the leave was granted the employer may for each one complete month of the qualifying period of twelve months not served by the employee deduct from whatever remuneration is payable upon the termination of the employment one-twelfth of the amount of wage paid on account of the annual leave, which amount shall not include any sums paid for any of the holidays prescribed by clause 8 of this Determination.

Payment for Period of Leave.

(k) Each employee before going on leave shall be paid two weeks' wages, except a shift worker or an employee taking his leave pursuant to sub-clause (d) of this clause either of whom shall be paid the amount of wage he would have received in respect of the ordinary time which he would have worked had he not been on leave during the relevant periods. For the purposes of this sub-clause and sub-clause (l) hereof, wages shall be at the rate prescribed by clause 2 of this Determination for the occupation in which the employee was ordinarily employed immediately prior to the commencement of his leave or the termination of his employment, as the case may be. Payment in the case of employees employed on piece or bonus work or any other system of payment by results shall be at time rates.

Proportionate Leave on Dismissal.

(l) If after one month's continuous service in any qualifying twelve-monthly period an employee lawfully leaves his employment or his employment is terminated by the employer through no fault of the employee, the employee shall be paid at his ordinary rate of wage for 3½ hours in respect of each completed one month of continuous service before the 1st January, 1946, and for 7½ hours at the same rate in respect of each completed month of continuous service after that date, the service in each case being service in respect of which leave has not been granted hereunder.

Annual Close Down.

(m) Where an employer closes down his plant, or a section or sections thereof, for the purposes of allowing annual leave to all or the bulk of the employees in the plant, or section or sections concerned, the following provisions shall apply:—

- (i) He may by giving not less than one month's notice of his intention so to do stand off for the duration of the close down all employees in the plant or section or sections concerned, and allow to those who are not then qualified for two full weeks' leave paid leave on a proportionate basis of one-sixth of a week's leave for each completed month of continuous service.
- (ii) An employee who has then qualified for two full weeks' leave, and has also completed a further month or more of continuous service shall be allowed his leave, and shall subject to sub-clause (f) hereof also be paid one-sixth of a week's wages in respect of each completed month of continuous service performed since the close of his last twelve-monthly qualifying period.
- (iii) The next twelve-monthly qualifying period for each employee affected by such close down shall commence from the day on which the plant, or section or sections concerned is re-opened for work.
Provided that all the time during which an employee is stood off without pay for the purposes of this sub-clause shall be deemed to be time of service in the next twelve-monthly qualifying period.
- (iv) If in the first year of his service with an employer an employee is allowed proportionate annual leave under paragraph (i) hereof, and subsequently within such year lawfully leaves his employment or his employment is terminated by the employer through no fault of the employee, he shall be entitled to the benefit of sub-clause (l) of this clause subject to adjustment for any proportionate leave which he may have been allowed as aforesaid.

WORK GIVEN OUT.

12. (a) For the purposes of this Determination, every person or body of persons who issues, gives out, or authorizes or permits to be issued or given out any material whatsoever for the purpose of being wholly or partly prepared or manufactured by any process or processes subject to the jurisdiction of this Board, notwithstanding the fact that the person to whom the material is issued or given out supplies additional material, shall be deemed to be the employer of the person to whom such material is issued or given out.

(b) Every employer within the meaning of this clause shall keep a record book, which shall contain a correct account written in ink as follows:—

- (i) The name and full address of the person to whom material is issued or given out;
- (ii) The number of articles and description of work issued or given out;
- (iii) The time spent in carrying out and the price paid for such work;
- (iv) The record book shall be signed each week by each person to whom material is issued or given out, verifying the accuracy of the amount of wages received.

(c) The record book mentioned in the preceding sub-clause shall be open for inspection at any time by any authorized officer of the Department of Labour.

SUPPLY OF MILK.

13. Any person engaged for the greater part of his day's work at cleaning off joints by any method other than filing, shall be supplied free of charge by the employer with one pint of milk each day he is so engaged.

MISCELLANEOUS PROVISIONS.

- 14. (a) *Tools.*—The employer shall provide for each employee all necessary tools.
- (b) *Sanitation, &c.*—The employer shall provide proper washing and sanitary conveniences. In any workshop in which employees, through a shop steward, or committee, ask for the provision of lockers, and an undertaking is given that the lockers will be properly cared for, a locker shall be installed by the employer for each workman.
- (c) *Protective Apparatus.*—Suitable asbestos sheets and coloured glasses shall be provided by the employer for the protection of electric-arc and oxy-acetylene operators and their assistants, and suitable mica or other goggles for emery-wheel operators.

DEFINITIONS.

- 15. (a) "Afternoon shift" shall mean any shift finishing after 6 p.m., but not later than midnight.
- (b) "Night shift" shall mean any shift finishing later than midnight, but not later than 8 a.m.
- (c) "Year" means the period between the 1st day of June in each year and the next 31st day of May.

PERIODICAL ADJUSTMENT OF WAGES.

16. The wages rates set out in clause 2 (c) are based upon the following basic wage rates, and pursuant to the provisions of Section 21 of the *Factories and Shops Act 1934*, the Board hereby determines that such rates shall be automatically adjusted as prescribed in clause 17. The wages of apprentices and improvers shall be adjusted proportionately to adjustments of the basic wage—such adjustments to be to the nearest 3d., half or less than half of 3d. to be disregarded.

Basic Wage.

Place.	Needs Basic Wage (Adjustable).	Loading Constant.	Total Basic Wage.	Index Number Set Assigned.
	£ s. d.	s. d.	£ s. d.	
Victoria	5 1 0	6 0	5 7 0	Melbourne

ADJUSTMENT OF BASIC WAGE.

17. (a) For the purposes of this Determination, the expression "Commonwealth Statistician's 'all items' retail price index numbers" or any like expression means the numbers stated to be such index numbers in any document purporting, and not proved to be wrongly so purporting, to be printed by the Commonwealth Government Printer or to be signed by or on behalf of the Commonwealth Statistician.

(b) Until the beginning of the first pay period to commence in August, 1947, the amounts of the Basic Wage shall be as prescribed in clause 16.

(c) During each future successive period beginning with the first pay period to commence in an August, a November, a February, or a May, the amount of the needs basic wage shall be adjusted by the following method, namely, by multiplying the last published Commonwealth Statistician's "all items" retail price index number by the factor .087 taken to one place of decimals, the resultant whole number being the amount of the basic wage expressed in shillings, but should the decimal number reach .5 or more the basic wage shall be taken to the next higher shilling.

MARGINAL RATES.

In addition to the basic wage provided in clause 16, the margins and loadings set out in this clause shall be the minimum rate payable to employees therein named:—

Classification.	Margins per Week.	Loadings per Week.
	s. d.	s. d.
Foremen, where over five adults are employed	42 6	6 0
Foremen, where five adults or fewer are employed	40 3	6 0
Lathe hands	39 0	6 0
Builders and repairers of motor cycle frames and frames other than cycle frames	29 3	4 0
Builders or repairers or brazers of cycle frames	27 0	4 0
Other repairers of motor cycles (except lathe hands)	29 3	4 0
Other repairers (except lathe hands)	27 0	4 0
Assemblers of motor cycles	27 0	4 0
Other assemblers	20 6	3 0
Filers on motor and other cycles	20 6	3 0
Wheel-builders on motor and other cycles	20 6	3 0
Foremen in rim-making	31 6	4 0
All others employed in rim-making	20 6	3 0
Persons cleaning off joints by sand-blasting or by shot-blasting	20 6	3 0
Handle-bar benders—		
By the mandrel method	16 0	3 0
By any other method	20 6	3 0
Persons not provided for otherwise	10 0	3 0

A. V. BARNES, J.P., Chairman.

J. W. RYAN, Secretary.

Melbourne, 14th May, 1947.



VICTORIA GOVERNMENT GAZETTE.

Published by Authority.

[Registered at the General Post Office, Melbourne, for transmission by post as a newspaper.]

No. 306]

TUESDAY, JULY 8.

[1947

Factories and Shops Acts.

DETERMINATION OF THE HAIRDRESSERS BOARD.

NOTES.—(1) This Determination applies to the whole of the State of Victoria.

(2) Ladies' and/or Men's Hairdressing were proclaimed on 3rd December, 1941, as apprenticeship trades under the Apprenticeship Acts, for the Metropolitan District.

Full particulars of the apprenticeship regulations for these trades may be obtained on application to the Secretary, Apprenticeship Commission, 103 Russell-street, Melbourne.

IN accordance with the provisions of the Factories and Shops Acts, the Wages Board appointed to determine the lowest prices or rates which may be paid "to any person or persons or classes of persons whosoever employed in the business of a Hairdresser or Barber, or Wig Maker, or other Workers of Hair," has made the following Determination, namely:—

On the 30th November, 1925, the powers of this Board were extended to enable it to fix the lowest prices or rates which may be paid to any person or persons or classes of persons employed at—

- (a) hair or scalp treatment;
- (b) toilet work.

1. That as from the beginning of the first pay period to commence on or after the 29th May, 1947, the last previous Determination of this Board shall be revoked and replaced by this Determination.

2.

APPRENTICES AND IMPROVERS.

(a) Outside the Metropolitan District as defined in the Factories and Shops Acts.

	Wages per Week.			
	Apprentices.		*Improvers.	
	Males.	Females.	Males.	Females.
	<i>s. d.</i>	<i>s. d.</i>	<i>s. d.</i>	<i>s. d.</i>
1st year	18 9	16 0	} 103 6	} 62 3
2nd year	24 9	21 9		
3rd year	37 6	31 3		
4th year—				
1st six months ..	50 3	43 9		
2nd six months ..	50 3	50 3		
5th year—				
1st six months ..	62 3	50 3		
2nd six months ..	62 3	..		

(b) Within the Metropolitan District as defined in the Factories and Shops Acts—The wages payable shall be such rates as may be prescribed from time to time by the Apprenticeship Commission of Victoria.

Apprentices and improvers shall be subject to the number of hours per week as fixed for their respective sections.

PROPORTION (IN ANY SHOP OR PLACE).

Apprentices.

In Men's Hairdressing Saloons.

One male apprentice to every three or fraction of three male workers receiving not less than the minimum wage.

In Ladies' Hairdressing Saloons.

One apprentice to each female worker receiving not less than the wage of 82s. 9d. per week. Provided that a male working employer shall be entitled to an apprentice.

In Places where both Men's and Ladies' Hairdressing is Carried Out.

One apprentice to every three or fraction of three workers, male or female, receiving not less than the minimum wage if male, or 82s. 9d. per week if female.

Improvers.

One male improver to every fifteen male workers receiving not less than the minimum wage.

One female improver to every fifteen persons receiving not less than the minimum wage.

An amended indenture of apprenticeship prescribed by the Board was approved on 26th March, 1936.

JUVENILE WORKERS, i.e., females under 21 years of age employed solely as receptionists or females under 17 years of age employed solely as messengers—

Wages.

Receptionists 39s. 3d. per week of 44 hours.
Messengers 15s. 3d. per week of 44 hours.

PROPORTION (IN ANY SHOP OR PLACE).

One Juvenile Worker employed as a receptionist to every fifteen or fraction of fifteen persons receiving not less than the minimum wage.

In addition, one Juvenile Worker employed as a messenger in any shop or place where not less than four persons are employed.

* The employment, within the Metropolitan District, of any improver is illegal.

Other Employees.	Wages.	
	Within the Metropolitan District as defined in the Factories and Shops Acts; the Cities of Geelong, Geelong West, and Warrnambool; and the Town of Newtown and Chilwell.	All Other Parts of Victoria.
<i>Men's Hairdressing Saloons.</i>		
Chair workers (male or female)	<i>s. d.</i> Per Week of 44 Hours. 133 0	<i>s. d.</i> Per Week of 44 Hours. 123 0
Provided that any person appointed by his employer to be foreman of a saloon shall be paid 5s. extra per week if not more than five persons are employed, and if more than five persons are employed he shall be paid 1s. extra per week for each employee.		
<i>Any Other Place.</i>		
Males engaged in—	Per Week of 44 Hours.	Per Week of 44 Hours.
Children's haircutting	135 0	130 0
Ladies' haircutting	155 6	150 6
Making up combings	165 6	160 6
All other males	161 6	156 6
Female window models	161 6	156 6
Females engaged in—	Per Week of 44 Hours.	Per Week of 44 Hours.
Children's haircutting	107 3	103 3
Ladies' haircutting	104 9	101 0
Attending to electrical curling and waving machines	93 0	89 3
Hair work	88 0	84 6
Female receptionists	53 3	51 6
All other females	86 6	82 9

3. TIME OF BEGINNING AND ENDING WORK.

	Time of Beginning.		Time of Ending.		
	On Saturday.	On the other Working Days of the Week.	On the day upon which the Half-holiday for Shops is observed.	On the other Working Days of the Week.	
(a) For persons engaged solely in hair or scalp treatment, toilet work or ladies' hairdressing	8.30 a.m.	9 a.m.	1 p.m.	In Flinders-street, Spencer-street, Latrobe-street, and Spring-street, and within the Area enclosed by such streets in the city of Melbourne. 6 p.m.	In all other parts of Victoria. 6 p.m.
(b) For other persons	8 a.m.	8.30 a.m.	1 p.m.	6 p.m.	7 p.m.

Provided that on any working day, no employee shall work or be permitted to work after the hour of 6.5 p.m. in any hairdressing saloon or other place in Flinders-street, Spencer-street, Latrobe-street, and Spring-street, and within the area enclosed by such streets in the City of Melbourne.

Provided further that no employee shall, on any day, work or be permitted to work before the time fixed in this clause for beginning work in any hairdressing saloon or other place within the metropolitan district as defined in the Factories and Shops Acts.

OVERTIME.

4. The rate of time and a half shall be paid for all work done—

- (a) outside the hours fixed as the times of beginning and ending work;
- (b) within the hours fixed as the times of beginning and ending work in excess of the maximum number of hours fixed as a week's work;
- (c) in excess of four and a half hours on the day upon which the half-holiday for shops is observed, ten hours on the usual late trading day, or eight and a half hours on any other working day of the week.

TERMS OF EMPLOYMENT.

5. (a) An employee shall be engaged on terms of either weekly or hourly hiring. Unless specifically engaged on terms of hourly hiring the terms shall be deemed to be those of weekly hiring.

(b) An employee on weekly hiring ready, available, and willing to work shall be paid the full weekly wage herein prescribed irrespective of the number of hours worked in any week, not exceeding the ordinary hours prescribed for a week's work.

(c) An employee on hourly hiring shall be paid:—

- (i) For each hour worked up to one half the number of hours prescribed for a week's work, at the ordinary wages rate with an addition of fifty per centum in any week in which two or more Public Holidays occur, and at the ordinary wages rate with an addition of thirty-three and one-third per centum in any other week;
- (ii) for each hour worked beyond the one half the number of hours prescribed for a week's work, at the ordinary wages rate up to but not exceeding the wages rate for an ordinary week's work;
- (iii) notwithstanding anything contained in sub-clause (i), and (ii), at the rate of ordinary wages rate with an addition of fifty per centum if the number of hours worked in any week is less than thirteen hours;
- (iv) if the time actually worked includes a fraction of an hour exceeding five minutes, for such fraction as for a full hour.

(d) An employee on hourly hiring who is required to work on any day shall be given a minimum number of hours work, or payment in lieu, for such day as follows—

- (i) on the day on which the half-holiday is observed—three hours;
- (ii) on any other day in the week—four hours.

The amount payable shall be at the appropriate rate as prescribed in sub-clause (c) hereof.

ALLOWANCES.

6. (a) *Within the Metropolitan District as defined in the Factories and Shops Acts.*—Every employer whose place of business is outside a radius of 6 miles from the General Post Office, Melbourne, shall pay to each employee who is engaged for less than one week's continuous work the fares necessarily expended by the employee in travelling between his home and the employer's place of business.

(b) *Outside the Metropolitan District as defined in the Factories and Shops Acts.*—Every employer shall pay the fares necessarily incurred by an employee in proceeding from his home to employment outside the Metropolitan District, and also the fares necessarily incurred by the employee in returning to his home at the termination of his employment with the employer. Provided that the employer shall not be required to pay the fare to his home of an employee who voluntarily leaves the service of the employer before he has completed a period of three months in such employment.

SPECIAL RATES.

7. Double time shall be paid for all work done on Sundays, New Year's Day, Labour Day, Good Friday, Christmas Day, Australia Day, Easter Monday, King's Birthday, and Boxing Day, and, within the Metropolitan District as defined in the Factories and Shops Acts, for all work done on Melbourne Cup Day; but if any other day be by Act of Parliament or Proclamation substituted for any of the above-named holidays, the special rate shall only be payable for work done on the day so substituted. In addition double time shall be paid for all work done on the 27th December when such day is a Saturday.

UNIFORMS.

8. Any employee who is required by his employer to provide himself with a special uniform shall have refunded to him, by the employer, so much of the cost of same as exceeds 12s. 6d. per uniform. Such uniform shall become the property of the employee. The entire cost of special uniforms shall be borne by the employer where the employee is employed for a period of less than six months. Where change to special designs in uniforms is required, the employer shall bear the cost of same.

In cases where the employer arranges for the laundering of the uniform of any employee he shall be entitled to deduct from the wages of such employee the actual cost of such laundering not exceeding 9d. per week.

MEALS.

9. Meal breaks of not less than 60 consecutive minutes shall be allowed to each employee between the hours of 11.45 a.m. and 2 p.m., and between the hours of 4.15 p.m. and 7 p.m. Provided that in the case of any employee who ceases work not later than 6.5 p.m. on any day no second meal break shall be allowed on such day.

In any shop meals may be partaken of only in some room or place in which hairdressing or toilet work is not actually being carried on.

DAY AND LATEST HOUR FOR PAYMENT OF WAGES.

10. Five o'clock p.m. on Thursday shall be the day and latest hour for payment of wages.

ANNUAL HOLIDAY.

11. The annual holiday shall be as prescribed by the provisions of the *Factories and Shops (Annual Holidays) Act, 1946, No. 5111*, and any amendments which may be made thereto from time to time.

SICK LEAVE.

12. Any employee not attending for duty who has had not less than twelve months' service with the same employer shall lose his or her pay for the actual time lost unless such employee produces or forwards within 24 hours of the commencement of such absence evidence satisfactory to the employer that his or her non-attendance was due to personal ill-health or accident necessitating such absence, but such employee shall not be entitled to payment for non-attendance on the grounds of personal ill-health or accident for more than six days in each year of service.

TERMINATION OF EMPLOYMENT.

13. Except in a case where an employer or an employee has been guilty of misconduct, seven days' notice of termination of employment shall be given by either employer or employee, or one week's wages shall be paid or forfeited in lieu thereof.

In the case of an employee who has been engaged from week to week (whether for an ordinary week's work or for any definite period other than an ordinary week's work) for at least four weeks the expression "termination of employment" shall include any variation of the terms of his engagement whereby he is to work for a shorter period than that for which he was previously engaged. "A week's wages" shall mean the wages in respect of the weekly period for which he was previously engaged.

APPRENTICES AND IMPROVERS ON ELECTRICAL CURLING OR WAVING MACHINES.

14. Female apprentices and improvers shall not operate or assist in operating electrical curling or waving machines except in the presence of a person receiving not less than the minimum wage.

PREMIUMS OR BONUSES.

15. No person shall, either directly or indirectly, request any other person to pay or give or shall receive from any other person, any premium, bonus, consideration, or payment for employing or teaching or purporting to employ or teach any person subject to this Determination any of the callings to which the Determination applies.

TIME BOOK.

16. In a book provided for such purpose by the employer, every employee shall indelibly record and initial daily his or her correct times of beginning and ending work and the correct times of ceasing and commencing work before and after the meal breaks prescribed in clause 9 of this Determination. Such book shall be open for inspection by the Secretary, Assistant Secretary, or an accredited official of the Victorian Branch of the Australian Hairdressers', Wigmakers', and Hairworkers' Employees' Federation between the hours of 9 a.m. and 5 p.m. of any working day except Saturday at the employer's shop or other convenient place, provided that only one demand for each inspection shall be made at the same establishment in any calendar month. Such demand shall not be made unless the Secretary, Assistant Secretary, or accredited official of the said Federation suspects that a breach of this Determination has been committed.

PERIODICAL ADJUSTMENT OF WAGES.

17. The wages rates set out in clause 2 are based upon the following basic wage rates, and, pursuant to the provisions of Section 21 of the *Factories and Shops Act 1934*, the Board hereby determines that such rates shall be automatically adjusted as prescribed by clause 18. Provided that the wages of apprentices, improvers, and females shall be adjusted proportionately to adjustments of the basic wage, such adjustments to be to the nearest 3d., half, or less than half of 3d. to be disregarded.

Basic Wage.

Place.	Needs Basic Wag (Adjustable.)	Loading (Constant).	Total Basic Wage.	Index Number. Set Assigned.
	£ s. d.	s. d.	£ s. d.	
Victoria	5 1 0	8 0 *	5 7 0	Melbourne

ADJUSTMENT OF BASIC WAGE.

18. (a) For the purposes of this Determination, the expression "Commonwealth Statistician's 'all items' retail price index numbers" or any like expression means the numbers stated to be such index numbers in any document purporting, and not proved to be wrongly so purporting, to be printed by the Commonwealth Government Printer or to be signed by or on behalf of the Commonwealth Statistician.

(b) Until the beginning of the first pay period to commence in August, 1947, the amounts of the Basic Wage shall be as prescribed in clause 17.

(c) During each future successive period beginning with the first pay period to commence in an August, a November, a February, or a May, the amount of the needs basic wage shall be adjusted by the following method, namely, by multiplying the last published Commonwealth Statistician's "all items" retail price index number by the factor .087 taken to one place of decimals, the resultant whole number being the amount of the basic wage expressed in shillings, but should the decimal number reach .5 or more the basic wage shall be taken to the next higher shilling.

A. V. BARNES, J.P., Chairman.

J. W. RYAN, Secretary

Melbourne, 14th May, 1947.



VICTORIA GOVERNMENT GAZETTE.

Published by Authority.

[Registered at the General Post Office, Melbourne, for transmission by post as a newspaper.]

No. 307]

TUESDAY, JULY 8.

[1947

Factories and Shops Acts.

DETERMINATION OF THE BOOT BOARD.

NOTE.—(1) This Determination applies to the whole of the State of Victoria.

(2) Clicking, stuff cutting, making, and finishing were proclaimed on 13th January, 1932, as Apprenticeship Trades under the *Apprenticeship Act 1928* for the Metropolitan District.

Full particulars of the Apprenticeship Regulations for these trades may be obtained on application to the Secretary, Apprenticeship Commission, 103 Russell-street, Melbourne (price 3d.).

IN accordance with the provisions of the Factories and Shops Acts, the Wages Board which since the nineteenth day of May, 1936, has had the power to "determine the lowest prices or rates which may be paid to any person—

(a) wholly or partly preparing or manufacturing, either inside or outside a factory, boots, shoes, or slippers of every description;

(b) designing or cutting patterns of boots, shoes, or slippers from metal or any other material"—

has made the following Determination, namely:—

1. That as from the beginning of the first pay period to commence on or after the 12th May, 1947, the last previous Determination of this Board shall be revoked and replaced by this Determination.

APPRENTICES AND IMPROVERS.

2. MALES*—Apprentices (Other than those covered by the Apprenticeship Commission.).

Wages per Week of 44 Hours.

Five Years Terms.

Experience.	Percentage of Needs Basic Wage.	Constant Loading.	Industry Loading.	Total Wage Payable.
	Per Week. s. d.	Per Week. s. d.	Per Week. s. d.	
First year's experience—				
1st six months	22½	..	0 9	1 3 6
2nd six months	0 9	1 7 3
Second year's experience—				
1st six months	30	1 0	1 0	1 12 3
2nd six months	1 0	1 0	1 19 9
Third year's experience—				
1st six months	45	1 6	1 6	2 8 6
2nd six months	1 6	1 6	3 3 6
Fourth year's experience—				
1st six months	75	2 0	2 3	4 0 0
2nd six months	2 0	2 3	4 10 0
Fifth year's experience—				
1st six months	95	2 0	3 0	5 1 0
2nd six months	2 0	3 0	5 3 6
Thereafter the adult male minimum wage.				

Four Years Terms.

First year's experience—				
1st six months	26	..	0 9	1 7 0
2nd six months	0 9	1 16 6
Second year's experience—				
1st six months	45	1 6	1 6	2 8 6
2nd six months	1 6	1 6	3 3 6
Third year's experience—				
1st six months	75	2 0	2 3	4 0 0
2nd six months	2 0	2 3	4 10 0
Fourth year's experience—				
1st six months	95	2 0	3 0	5 1 0
2nd six months	2 0	3 0	5 3 6
Thereafter the adult male minimum wage				

* Wages of apprentices and improvers in the Metropolitan District are regulated by the Apprenticeship Commission. See Note 2 above.

2. MALES*—Apprentices (Other than those covered by the Apprenticeship Commission)—*continued.*

Three Years Terms.

Experience.	Percentage of Needs Basic Wage.	Constant Loading.	Industry Loading.	Total Wage Payable.
	Per Week. <i>s. d.</i>	Per Week. <i>s. d.</i>	Per Week. <i>s. d.</i>	£ <i>s. d.</i>
First year's experience—				
1st six months	45	1 6	1 6	2 8 6
2nd six months	1 6	1 6	3 3 6
Second year's experience—				
1st six months	75	2 0	2 3	4 0 0
2nd six months	2 0	2 3	4 10 0
Third year's experience—				
1st six months	95	2 0	3 0	5 1 0
2nd six months	2 0	3 0	5 3 6
Thereafter the adult male minimum wage				

Experience for the purpose of this Clause means actual experience whether as an apprentice or otherwise.

Proportion.

(In any factory or place.)

An employer shall not employ male apprentices in excess of the proportion of one male apprentice to every three male workers or fraction thereof receiving wage rates or earning at piece work prices not less than the minimum hourly wage for adult males. Such proportion shall be based on the average number of workers employed during the previous six months receiving wage rates or earning at piece work prices not less than the minimum hourly wage for adult males.

An amended indenture of apprenticeship has been prescribed by the Board.

See Clause 7 for wages and proportion of unapprenticed Junior Workers.

FEMALES—Improvers.

3. Females employed clicking, designing, or cutting patterns, stuff cutting, stuff fitting, or preparing for makers, or making or finishing, including the following operations in the making of slippers:—Turning, bottom levelling, wood heeling, blocking, steaming, and ironing on the last, irrespective of age or experience shall be paid the same rates as are paid to adult males on the same class of work.

Females employed attaching uppers to soles of shoes, known as or similar to the Sahara Sandal, or interlacing material of the uppers on the last or attaching such uppers to the soles of shoes known as Basket Shoes or any shoe similar thereto shall be paid the same rates as are paid to adult males on the same class of work.

Apprentices and all other improvers†—

Experience.	Adjustable Wage.	Loading Constant.	Total Wage.
	£ <i>s. d.</i>	<i>s. d.</i>	£ <i>s. d.</i>
Under 17 years of age—			
1st six months	1 4 6	0 6	1 5 0
2nd six months	1 7 6	0 6	1 8 0
3rd six months	1 11 0	0 9	1 11 9
4th six months	1 15 3	0 9	1 16 0
5th six months	2 0 0	1 0	2 1 0
6th six months	2 5 6	1 0	2 6 6
7th six months	2 11 0	1 6	2 12 6
8th six months	2 18 0	1 6	2 19 6
And thereafter not less than the minimum wage for adult females			
17 years of age and over—			
1st six months	1 11 0	0 9	1 11 9
2nd six months	1 15 3	0 9	1 16 0
3rd six months	2 0 0	1 0	2 1 0
4th six months	2 5 6	1 0	2 6 6
5th six months	2 11 0	1 6	2 12 6
6th six months	2 18 0	1 6	2 19 6
And thereafter not less than the minimum wage for adult females			

"Experience" for the purposes of this clause means actual experience, whether as an improver or junior worker.

Proportion.

(In any factory or place.)

One female apprentice to every three or fraction of three female workers employed and receiving at wages rates or earning at piece work prices not less than the minimum wage for adult females.

* Wages of apprentices and improver in the Metropolitan District are regulated by the Apprenticeship Commission. See Note 2 above.
† Junior females may be employed on the operations set out in paragraphs (c), (d), and (e) of Clause 5 at the above rates.

Proportion.

(In any factory or place.)

Three female improvers to each female worker employed and receiving at wages rates or earning at piece work prices not less than the minimum wage for adult females.

Provided that the total number of female apprentices and improvers in any factory or place shall not exceed three to each adult female receiving not less than the minimum wage for adult females.

Other Employees.

4.	MALES.	Wages Per Week of 44 Hours.
		<i>s. d.</i>
Pattern Cutting—		
Pattern Cutters or Designers	141 0
Clicking—		
Clicking outsides (other than felt, fabric, sheep's roans or splits)	133 0
Clicking felt, linings, fabrics, sheep's roans, splits—		
By hand	130 0
By machine	127 0
All others	127 0
Stuff cutting—		
Cutting leather outsides, insoles or half soles	133 0
Ranging by hand	133 0
All others	127 0
Making—		
All operatives except those for whom the rates hereinafter appearing are prescribed		133 0
Operator of bottom levelling machine	127 0
Operator of buzzer machine	127 0
Operator of loose nailing machine	127 0
Bevelling by hand	127 0
Heeling by hand	127 0
Opening channels	127 0
Closing channels	127 0
Feathering	127 0
Turning pumps	127 0
Laying linings and shanking	127 0
Pulling up backs	127 0
Pulling on	127 0
Tingling and trimming (hand or machine)	127 0
Putting on heels and toe plates	127 0
Attaching wood heels by hand	127 0
Putting in stiffeners or toes	124 0
Putting in bottom fillings and shanks	124 0
Slipping off	124 0
Pulling out tacks	124 0
Stamping and sorting soles	124 0
Solutioning or cementing by hand or machine	124 0
Putting studs or bars on bootball boots	124 0
Finishing—		
Finishing right through by hand	133 0
Operating heel trimmer	133 0
Operating edge trimmer	133 0
Operating edge setter	133 0
Operating heel scourer	133 0
Operating Naumkeag machine and/or sandpapering machine	120 0
Slipping off	124 0
All others	127 0

FEMALES.

5. (a) Females employed clicking, designing, or cutting patterns, stuff cutting, stuff fitting, or preparing for makers, or making or finishing, including the following operations in the making of slippers:—Turning, bottom levelling, wood heeling, blocking, steaming, and ironing on the last, irrespective of age or experience shall be paid the same rates as are paid to adult males on the same class of work.

(b) Females employed attaching uppers to soles of shoes, known as or similar to the Sahara Sandal, or interlacing material of the uppers on the last or attaching such uppers to the soles of shoes known as Basket Shoes or any shoe similar thereto shall be paid the same rates as are paid to adult males on the same class of work.

	Wages per Week of 44 Hours.	Loading Constant.	Total Wage.
	<i>s. d.</i>	<i>s. d.</i>	<i>s. d.</i>
(c) Females with (i) four years' experience employed on any form of sewing machine	81 6	3 0	84 6
(ii) any other machine	77 0	3 0	80 0
(iii) any other work set out in clause (b) hereof	75 3	2 9	78 0
(d) Females with four years' experience not otherwise provided for	75 3	2 9	78 0

(e) In addition to the rates prescribed herein any female employee:—
(i) operating a machine with hot or liquid wax shall be paid 7s. 6d. per week.

(ii) operating a wax thread or cord machine not using hot or liquid wax shall be paid 5s. per week.

(f) Females over the age of 21 years with less than the experience hereinbefore mentioned shall for the first twelve months be paid 78s. per week and thereafter the rate prescribed for their occupation.

FEMALE WORK.

6. The following classes of work may be performed by female employees at the rates proscribed in clause 5, sub-clause (c) (iii) :—
- (a) making cosy slippers with soles of upper leather or other soft material with felt or compo filling (excepting the operation set out in clause 5 (a));
 - (b) attaching felt to leather soles by Union Special Machine No. 75B 80,100 or any similar table machine ;
 - (c) marking, stamping, fitting of uppers, machining of uppers, pasting of uppers, lacing of uppers or preparing slippers for the slipper turn sewing machine ;
 - (d) ironing off the last ;
 - (e) socking ;
 - (f) pomming ;
 - (g) attaching ornaments ;
 - (h) final trimming and boxing ;
 - (i) cleaning ;
 - (j) spraying ;
 - (k) branding ;
 - (l) final polishing ;
 - (m) final brushing ;
 - (n) sizing ;
 - (o) treeing after boot is finished ;
 - (p) patent and coloured leather repairing ;
 - (q) solutioning and covering wood heels ;
 - (r) skiving or trimming the insides and outsides of uppers (including cut outs) ;
 - (s) interlacing of uppers before or after making (excluding hand made basket shoes) ;
 - (t) making (in all stages) infants' 0s to 6s footwear with soles of upper leather or other soft material ;
 - (u) preparing toe puffs of material other than crop ;
 - (v) all work on which females can be employed in the heel and last-making industry.

JUNIOR WORKERS—MALES.

7. (a) Unapprenticed male juniors may be employed in the following occupations :—Tacking on insoles, putting in stiffeners or toes, putting in bottom fillings and shanks, putting in and slipping lasts, last carrying, last sorting, heel nail feeding, inking edges, solutioning or cementing by hand or machine, inking and colouring (one colour only), rubbing off heels, drawing tacks or nails, socking and sizing, tacking up stuff (including the cutting and preparation of football studs), putting in followers, branding or stamping, any other occupation usually performed by females under this Determination.
- (b) The maximum number of unapprenticed male juniors who may be employed in any factory shall not exceed the proportion of one junior to ten or fraction of ten of the average number of male adults employed for the previous six months.
- (c) Unapprenticed male juniors shall be paid the rates provided for apprentices plus 10 per cent.
- (d) Any unapprenticed junior who has had six years' experience in the industry and who has not reached twenty-one years of age shall be paid the adult rate for the class of work he is performing.

HOLIDAYS.

8. (a) The following days shall be allowed as holidays without deduction of pay—the days observed in the particular State as :—New Year's Day, Australia Day, Good Friday, Easter Monday, Labour Day, Anzac Day, King's Birthday, Christmas Day and Boxing Day.

In the Metropolitan District of Melbourne, Cup Day shall be substituted for King's Birthday.

- (b) All work performed on any of the abovementioned holidays shall be paid for at the rate of double time.

ANNUAL HOLIDAY.

9. The annual holiday shall be as proscribed by the provisions of the *Factories and Shops (Annual Holidays) Act 1946*, No. 5111, and any amendments which may be made thereto from time to time.

SUNDAY WORK.

10. All time worked on a Sunday shall be paid for at the rate of treble time, payment being made for a full day, namely 8½ hours, whether such full day is worked or not. Provided that time worked in the alterations of plant or machinery necessary for resumption of work the next following working day shall be paid for at the rate of time and a half.

NOTE.—Section 8 of the *Factories and Shops Act No. 4275* prohibits work on Sundays, but the Minister of Labour may suspend this section in exceptional circumstances.

HOURS OF WORK.

11. (a) The ordinary hours of work shall not exceed 44 per week to be worked in five days between the hours of 7.30 a.m. and 5.30 p.m. on Monday to Friday inclusive. Provided that this spread of hours may be altered by mutual agreement between an employer and the Australian Boot Trade Employees Federation.

- (b) Each employer may fix starting and finishing times for his own factory and such starting and finishing times, when fixed, shall not be altered except on fourteen days' notice to the employees concerned.

MEAL TIME.

12. (a) Not less than 30 nor more than 60 minutes, shall be allowed each working day for a midday meal.
- (b) An employee shall not work or be worked for more than five hours consecutively without a break for a meal.
- (c) An employee working on production called upon to work during his meal hour shall be paid at the rate of double time for the time so worked, and such payment shall be continued until an employee has been relieved for a meal.

REST PERIOD.

13. (a) All employees shall be allowed a morning rest period of ten minutes at a time to be mutually arranged in each factory.

- (b) Facilities for making tea shall be provided by the employer for employees at the commencement of rest periods and meal hours.

MIXED FUNCTIONS.

14. An employee engaged for more than half of one day on duties carrying a higher rate than his ordinary classification shall be paid the higher rate for such day ; if less than half of one day he shall be paid the higher rate for the time so worked.

OVERTIME.

15. (a) All time worked by an employee before his or her starting time or after his or her finishing time shall be paid for at the rate of time and a half for the first two hours and double time thereafter.

- (b) In computing overtime, each day's work shall stand alone.

- (c) Junior workers and apprentices shall not work overtime without the approval of the Apprenticeship Commission, unless a proportionate number of adult males or fully experienced females is employed in the respective departments.

- (d) Employees called upon to work overtime exceeding one hour shall be allowed at least 30 minutes for a meal, and shall in addition to any overtime payable be allowed 2s. for such meal, provided that in the case of Saturday overtime 2s. shall be payable only if the work extends beyond the ordinary time for ceasing work for the midday meal.

TERMS OF ENGAGEMENT.

16. (a) Except as hereinafter provided employment shall be by the week.

(b) Employment shall be terminated by a week's notice on either side given at any time during the week or by the payment or forfeiture of a week's wages, as the case may be. This shall not affect the right of the employer to dismiss any employee without notice for malingering, inefficiency, neglect of duty or misconduct, and in such cases the wages shall be paid up to the time of dismissal only or to deduct payment for any day the employee cannot be usefully employed because of any strike or through any breakdown in machinery or any stoppage of work by any cause for which the employer cannot reasonably be held responsible.

(c) An employee not attending for duty shall, except as provided by clause 17 of this Determination, lose his pay for the actual time of such non-attendance.

ABSENCE ON SICK LEAVE.

17. (a) An employee who has been in the service of an employer for three months and who is absent from his work on account of personal sickness, or on account of accident arising out of and in the course of his employment, shall be entitled to leave of absence, without deduction of pay, subject to the following conditions and limitations:—

- (i) He shall not be entitled to paid leave of absence for any period in respect of which he is entitled to workers' compensation.
- (ii) He shall within 24 hours of the commencement of such absence inform the employer of his inability to attend for duty and, as far as practicable, state the nature of the injury or illness and the estimated duration of his absence.
- (iii) He shall prove to the satisfaction of his employer (or in the event of dispute, the Wages Board) that he was unable on account of such illness or injury to attend for duty on the day or days for which sick leave is claimed.
- (iv) He shall not be entitled in any year (whether in the employ of one employer or of several) to leave in excess of 44 hours of working time.

For the purpose of administering paragraph (iv) of this sub-clause an employer may within one month of this Determination coming into operation or within two weeks of the employees entering into operation require an employee to make a sworn declaration or other written statement as to what paid leave of absence he has had from any employer during the then current year; and upon such statement the employer shall be entitled to rely and act.

Single Day Absences.

(b) In the case of an employee who claims to be allowed paid sick leave in accordance with this clause for an absence of one day only such employee if in the year he has already been allowed paid sick leave on more than one occasion for one day only shall not be entitled to payment for the day claimed unless he produces at the request of the employer a certificate of a duly qualified medical practitioner that in his, the medical practitioner's opinion, the employee was unable to attend for duty on account of personal illness or on account of injury or accident. Nothing in this sub-clause shall limit the employer's right under sub-clause (a) (iii) hereof.

Cumulative Sick Leave.

(c) Sick leave shall accumulate from year to year, so that any balance of the period specified in sub-clause (a) (iv) of this clause which has in any year not been allowed to an employee by an employer as paid sick leave may be claimed by the employee and subject to the conditions hereinbefore proscribed shall be allowed by that employer in a subsequent year without diminution of the sick leave proscribed in respect of that year. Provided that sick leave which accumulates pursuant to this sub-clause shall be available to the employee for a period of three years, but for no longer from the end of year in which it accrues.

Attendance at Hospitals, &c.

(d) Notwithstanding anything contained in sub-clause (a) hereof an employee suffering injury through an accident arising out of and in the course of employment (not being an injury in respect of which he is entitled to workers' compensation) necessitating his attendance during working hours on a doctor, chemist or trained nurse, or at a hospital, shall not suffer any deduction from his pay for the time (not exceeding four hours) so occupied on the day of the accident, and shall be reimbursed by the employer all expenses reasonably incurred in connexion with such attendance.

Year.

(e) For the purposes of this clause a year shall be deemed to commence on 1st January, and cease on 31st December.

PAYMENT OF WAGES.

18. (a) Wages shall be paid on Wednesday or Thursday or Friday in each week. Each employer shall fix a pay day, which once fixed shall not be altered unless with the consent of the Australian Boot Trade Employees Federation. Separate pay days for male and female employees may be fixed in any factory.

(b) Not more than one day's wages shall be kept in hand excepting that where a holiday occurs on the actual pay day, the following day may be substituted as pay day.

(c) Any employee working part of a week shall be paid all monies due on ceasing work for that week.

(d) Where an employee's services are dispensed with, all moneys due shall be paid immediately on the employee ceasing work.

(e) Employees kept waiting for their pay after ceasing work at the usual hour shall be paid at overtime rates for all the time they are kept waiting as aforesaid.

TIME AND WAGES BOOK.

19. (a) Each employer shall keep a time and wages book or record, showing the name of each employee, his or her occupation, the hours worked each day and the wages and allowances paid each week.

(b) The time occupied by an employee filling in time books or cards or in the making of records other than checking in or out at the beginning or end of duty shall be treated as time of duty.

(c) The time and wages book or records shall be open for inspection by a duly accredited permanent official of the Australian Boot Trade Employees Federation during the usual office hours at the employer's office or other convenient place.

An inspection by such an official as aforesaid shall not be demanded unless the secretary of the Federation or the district secretary or organiser of any branch of the Federation suspects that a breach of this Determination has been or is being committed, and not more than one demand for such inspection shall be made in any one fortnight at the same establishment.

The official making such inspection shall be entitled to make and retain a copy of entries in a time and wages book or record relating to the suspected breach of this Determination.

SEATS.

20. Where it is necessary for employees to sit at their work seats which shall be reasonably comfortable shall be provided by the employer for the employees.

DETERMINATION POSTED.

21. A copy of this Determination, together with all variations thereof, shall be posted and kept posted by the employer in each factory or workshop in a prominent place accessible to employees.

TOOLS.

22. (a) The employer shall provide all needles and findings, grindery, tool for finishers, viz., feather knives, fudge wheels, ordinary top irons, waist wheels and brushes (paint and ink), workshops and light and all colours and material used in connexion with the trade.

(b) The employer shall provide the following tools, viz., clicking knives, scissors for females who are required to use them, and the employer shall, at his own expense, keep the scissors properly ground.

(c) Until such time as the employer replaces the scissors now in use an operative shall continue to use her own scissors, and during the time of such use the operative shall be paid an allowance of 3d. per week.

(d) Notwithstanding anything herein contained, employers shall provide apprentices with all necessary tools.

DEDUCTION IN WAGES.

23. Deduction in wages may be made only for such time as is actually lost by an employee. Such deduction shall not be made from the wages of apprentices except in accordance with the Indentures of Apprenticeship.

PIECEWORK.

24. (a) Any employer may fix and pay piece work rates in lieu of time rates so long as such rates permit an employee of average capacity to earn at least ten per cent. more than the minimum rate prescribed for his or her class.

(b) If any groups of employees in any factory are dissatisfied with the piece-work rates so fixed they shall have the right to refer the matter to the Secretary for Labour for investigation and decision.

RIGHT OF ENTRY.

25. Any duly accredited permanent official of the Australian Boot Employees Federation authorized in writing by the Secretary for Labour shall for the purpose of interviewing or conversing with the employees in any factory or place have the right to enter such factory or place if therein a member of such Federation or persons in the same callings are employed by an employer covered by this Determination.

(b) Officials authorized as aforesaid shall not wilfully hamper or hinder the employees during their working time, but may for the purpose of collecting dues, posting Union notices and attending to other Union matters relating to the industry, interview any employee or converse with them during any luncheon or non-working time.

(c) If any employer alleges that an official is unduly interfering with his workshop or is creating disaffection amongst his employees or is offensive in his methods or is committing a breach of any of the foregoing conditions, the employer may refuse the right of entry, but the official shall have the right to bring such refusal before the Wages Board.

WASHING ACCOMMODATION.

26. The employer shall provide suitable washing accommodation for all employees.

SHOP STEWARDS.

27. An employer shall allow a shop steward appointed by employees in each workshop the necessary time during working hours to interview him or his representative on matters affecting the employees whom the steward represents.

FIRST-AID OUTFIT.

28. Each employer shall provide a properly equipped first-aid chest. Such chest shall comply, as to its contents, with the requirements of the Factories and Shops Acts.

PERIODICAL ADJUSTMENT OF WAGES.

29. The wages rates for adult males set out in clause 4 are based upon the following basic wage rates, and pursuant to the provisions of section 21 of the *Factories and Shops Act 1934* the Board hereby determines that such rates shall be automatically adjusted as prescribed by clause 30.

BASIC WAGE.

Place.	Needs Basic Wage (Adjustable).	Prosperity Loading (Constant).	Industry Loading (Constant).	Total Industry Wage.	Index Number Set Assigned.
	Per Week. £ s. d.	Per Week. s. d.	Per Week. s. d.	Per Week. £ s. d.	
Whole of the State	5 1 0	5 0	4 0	5 10 0	Six Capital Cities (Weighted Average)

ADJUSTMENT OF BASIC WAGE.

30. (a) For the purposes of this Determination the expression "Commonwealth Statistician's 'all items' retail price index numbers" or any like expression means the numbers stated to be such index numbers in any document purporting, and not proved to be wrongly so purporting, to be printed by the Commonwealth Government Printer or to be signed by or on behalf of the Commonwealth Statistician.

(b) Until the beginning of the first pay period to commence in August, 1947, the amounts of the basic wage shall be as prescribed in clause 29.

(c) During each future successive period beginning with the first pay period to commence in an August, a November, a February, or a May, the amount of the needs basic wage shall be adjusted by the following method, namely, by multiplying the last published Commonwealth Statistician's "all items" retail price index number by the factor .087 taken to one place of decimals, the resultant whole number being the amount of the basic wage expressed in shillings, but should the decimal number reach .5 or more the basic wage shall be taken to the next higher shilling.

(d) The rates prescribed for female workers in clauses 3 and 5 other than the constant loadings, shall be increased or decreased proportionately to increases or decreases of the needs basic wage calculated to the nearest threepence, half or less than half of threepence to be disregarded.

(e) The wages of male juniors shall be the percentages of the needs basic wage and in addition thereto the constant and industry loadings specified in clause 2 of this Determination.

MARGINS—MALES.

31. In addition to the amounts prescribed in clause 29, the following margins shall be paid :—

	Per Week.
	<i>s. d.</i>
Pattern Cutting—	
Pattern Cutters or Designers	31 0
Clicking—	
Clicking outsides (other than felt, fabric, sheep's roans or splits)	23 0
Clicking felt, linings, fabrics, sheep's roans, splits—	
By hand	20 0
By machine	17 0
All others	17 0
Stuff outting—	
Cutting leather outsoles, insoles, or half soles	23 0
Ranging by hand	23 0
All others	17 0
Making—	
All operatives except those for whom the rates hereinafter appearing are prescribed	23 0
Operator of bottom levelling machine	17 0
Operator of buzzer machine	17 0
Operator of loose nailing machine	17 0
Levelling by hand	17 0
Heeling by hand	17 0
Opening channels	17 0
Closing channels	17 0
Feathering	17 0
Turning pumps	17 0
Laying linings and shanking	17 0
Pulling up backs	17 0
Pulling on	17 0
Tingling and trimming (hand or machine)	17 0
Putting on heels and toe plates	17 0
Attaching wood heels by hand	17 0
Putting in stiffeners or toes	14 0
Putting in bottom fillings and shanks	14 0
Slipping off	14 0
Pulling out tacks	14 0
Stamping and sorting soles	14 0
Solutioning or cementing by hand or machine	14 0
Putting studs or bars on football boots	14 0
Finishing—	
Finishing right through by hand	23 0
Operating heel trimmer	23 0
Operating edge trimmer	23 0
Operating edge setter	23 0
Operating heel scourer	23 0
Operating Naumkeag machine and/or sandpapering machine	19 0
Slipping off	14 0
All others	17 0

P. A. RANGLES, J.P., Chairman.

J. V. WILLOX, Secretary.

Melbourne, 27th May, 1947.

1. The first part of the document discusses the importance of maintaining accurate records of all transactions. This includes not only sales and purchases but also any other financial activities that may occur over the course of the business.

2. It is essential to ensure that all records are kept in a secure and accessible location. This may involve using physical filing cabinets or a secure digital storage system.

3. Regular audits should be conducted to verify the accuracy of the records and to identify any discrepancies or errors.

4. The second part of the document outlines the various methods used to collect and analyze data. This includes surveys, interviews, and focus groups.

5. Each method has its own strengths and weaknesses, and it is important to choose the most appropriate one for the specific needs of the study.

6. The final part of the document provides a detailed overview of the data analysis process. This includes identifying key variables, calculating statistical measures, and interpreting the results.

7. It is crucial to ensure that the analysis is conducted in a systematic and unbiased manner to avoid any potential biases or errors.

8. The overall goal of the document is to provide a comprehensive guide to the entire research process, from data collection to analysis and interpretation.



VICTORIA GOVERNMENT GAZETTE.

Published by Authority.

[Registered at the General Post Office, Melbourne, for transmission by post as a newspaper.]

No. 308]

TUESDAY, JULY 8.

[1947

Factories and Shops Acts.

DETERMINATION OF THE JAM TRADE BOARD.

NOTE.—This Determination applies to the whole of the State of Victoria.

IN accordance with the provisions of the Factories and Shops Acts, the Wages Board appointed to determine the lowest prices or rates which may be paid to any person or persons or classes of persons employed in the process, trade, or business of—
Manufacturing jam, fruit jelly, pickles and sauces, or

- (a) preparing, canning, or preserving lemon or other peel, fruit, or vegetables;
(b) preparing or putting up any of such articles for sale;

has made the following Determination, namely:—

1. That as from the beginning of the first pay period to commence on or after the 1st May, 1947 the last previous Determination of this Board shall be revoked and replaced by this Determination.

2.

ADULT EMPLOYEES.

(a) Males—Weekly Hands.

Wages
Per Week.

	£	s.	d.
Foreman (first jam maker)	7	3	0
Assistant jam maker (as defined)	6	13	0
Foreman packer in charge of despatch and packing department	6	13	0
Foreman sauce, chutney, pickles or condiment maker (as defined)	6	13	0
Fruit or vegetable preserver (as defined)	6	13	0
Fruit crystallizer	6	9	6
Candy peel-maker in charge	6	8	0
Operator of peach-pitting or pear-preparing machine	6	8	0
Foreman, bottle department	6	3	0
Foreman packer's assistant	6	3	0
Foreman, pulp department	6	3	0
Man working in connexion with freezing or cooling chambers	6	3	0
Man working in dehydrating tunnel	6	3	0
Operator of labelling machine labelling canned goods	6	3	0
Operator of fruit or vegetable lye machine	6	3	0
Syrup maker, i.e., a person who actually boils the syrup	6	3	0
Tapper	6	3	0
Driver of power-driven factory truck	6	2	0
Employees engaged in inspecting fruit for acceptance or rejection	6	2	0
Employee in fruit crystallizing department, other than fruit crystallizer	6	2	0
Storeman and packer (as defined)	6	1	0
Employees operating can-closing machine	6	3	0
Employee engaged feeding into and/or taking from lacquer machine	5	19	0
Employees feeding into and/or taking from bottle-washing machine	6	4	0
Employee engaged in bottle-washing department	5	19	0
Retort hand (as defined)	5	19	0
Employee engaged in juice-making room or department (where juice is extracted for use in jams and jellies)	5	19	0
All others	5	17	0

Provided that—

- (i) if at any time any adult male employee is employed for any period of not more than two weeks, he shall be entitled to 1s. for each working day of such period in addition to the minimum rate prescribed by this clause;
- (ii) if at any time any adult male employee is employed for any period of more than two weeks, but not more than four weeks, he shall be entitled to 6d. for each working day of such period in addition to the minimum rate prescribed by this clause;
- (iii) an employee required to lift, carry or stack by hand, crates, cases, tubs, or other containers of goods or commodities of any description weighing over 90 lb. each, for continuous periods exceeding half an hour, shall in respect thereof be paid an amount of 3d. per hour or part of an hour (not being less than half an hour) in addition to his appropriate rate of pay as above prescribed.

(b) Females—Weekly Hands.

	Wages Per Week	
	£	s. d.
Head forewoman	4	5 3
Forewoman's assistant	3	15 3
Head woman supervisor	3	15 3
Supervisor (as defined)	3	13 3
Employees engaged in—		
(i) clipping piecework tickets	3	13 3
(ii) cutting or pulping lemons or pineapples		
(iii) lifting jam, fruit, sauce, sugar, vegetable or wet condiments weighing over 20 lb.	3	16 3
(iv) operating a peach-pitting or pear-preparing machine		
(v) operating can-closing machines	3	13 3
(vi) packing clear mixed pickles into glass containers		
(vii) pouring out or filling jam by hand	3	13 3
(viii) pouring out pulp by hand		
(ix) stirring jam, sauce, or pulp	3	9 3
(x) washing bags		
(xi) working at a fruit press	3	14 3
(xii) feeding into and/or taking from lacquer machine		
(xiii) feeding into and/or taking from bottle-washing machine	3	9 3
(xiv) bottle-washing department		
All other adult females, i.e., females 18 years of age or over	3	7 3

Provided that—

- (i) if at any time any adult female employee is employed for any period of not more than two weeks, she shall be entitled to 9d. for each working day of such period in addition to the minimum rate above prescribed;
- (ii) if at any time any adult female employee is employed for any period of more than two weeks but not more than four weeks, she shall be entitled to 4d. for each working day of such period, in addition to the minimum rate above prescribed.

ADULT MALE EMPLOYEES—CASUAL HANDS.

3. (a) A casual adult male employee, that is to say, an employee who is at any one time employed for less than three consecutive days, shall be paid at an hourly rate which shall be calculated on the weekly rate for the work upon which he is employed, plus 50 per cent. An employee employed as aforesaid shall be paid for not less than four hours on each engagement.

(b) Any adult male employee who is employed at any one time for more than two consecutive days shall thereafter be deemed to be a weekly employee for the purposes of this Determination.

4. JUNIOR EMPLOYEES.

	Wages Per Week.	
	£	s. d.
(i) Males—		
Under 17 years of age	2	3 9
17 years of age and under 18 years of age	2	14 9
18 years of age and under 19 years of age	3	5 9
19 years of age and under 20 years of age	3	16 9
20 years of age and under 21 years of age	4	7 9

Provided that any junior male employee employed operating a peach-pitting or pear-preparing machine shall be paid 9s. per week in addition to the above rates.

(ii) Females—

Under 18 years of age	2	8 0
-------------------------------	---	-----

Provided that any junior female employee employed operating a peach-pitting or pear-preparing machine shall be paid 9s. per week in addition to the above rate.

PROHIBITION OF EMPLOYMENT.

5. The Board determines that no person shall be employed as an apprentice.

DEFINITIONS.

- 6. For the purposes of this Determination, unless a contrary intention is by the context made apparent—
 - “Adult female employee” means a female employee of the age of 18 years or more.
 - “Assistant jam maker” means an employee who is a competent jam maker, being one who is able to take off.
 - “Foreman sauce, chutney, pickles or condiment maker” means an employee who is competent to mix ingredients and make sauce, chutney, pickles or condiments and who being so competent is actually in charge of the making thereof.
 - “Fruit or vegetable preserver” means an employee actually in charge of the work of fruit or vegetable preserving.
 - “Operator of peach-pitting or pear-preparing machine” means an employee who performs the work of actually feeding peaches or pears by hand into such a machine.
 - “Permanent employee” means an adult employee whose engagement continues from before until after the season.
 - “Retort hand” means an employee whose duties include the loading or unloading of a retort.
 - “Season” means the period from the 1st December in one year until the 30th April in the following year.
 - “Storeman and packer” means either—
 - (a) An employee who packs in sawdust or any similar material for despatch or who checks goods at the time of their despatch; or
 - (b) a male employee in charge of a label room; or
 - (c) an employee who is employed at receiving and stacking boxes of tin-plate on arrival at a factory; or
 - (d) an employee who is employed at re-stacking boxes of tin-plate in a factory; or
 - (e) an employee who is employed solely at nailing or wiring machines or solely nailing or wiring by hand.
 - “Supervisor” means a female employee, not being a forewoman nor an assistant forewoman, who walks up and down between the rows controlling the cutting or canning of fruit.
 - “Union” means the Food Preservers' Union of Australia.

TERMS OF EMPLOYMENT.

- 7. (a) The contract of hiring of all employees shall, in the absence of an express contract to the contrary, be by the week.
- (b) Employment of all employees whose contract of hiring is by the week shall be terminable only by a week's notice on either side. Provided that such notice may be given at any time. And provided also that during the season two days' notice (or payment of two days' pay in lieu thereof), which may be given at any time, shall be a sufficient notice of the termination of a contract of hiring by the week. And provided further that nothing hereinbefore contained shall disentitle an employer from dismissing any employee summarily and without notice where the employee has been found by the employer or his agent to be malingering, inefficient to do the work for which he has been engaged, neglectful of his duty, or to have misconducted or to be misconducting himself, and in such a case wages shall be payable up to the time of dismissal only. And provided further that the employer shall be entitled to deduct payment for any day upon which, because of a strike or of any breakdown of machinery or stoppage of work for any reason for which the employer cannot be held responsible, the employee cannot be usefully employed.

PROHIBITION OF CONTRACT WORK.

8. An employee shall not perform work (except as herein provided) by contracting, sub-contracting, sub-letting, or other similar systems

MIXED FUNCTIONS.

9. Where an employee is put to work at a classification higher in respect of remuneration than that under which such employee was engaged or was deemed to have been working such employee shall be paid for the whole of the time during which such employee is employed at such work at the rate of remuneration prescribed for such higher classification: Provided that such employee shall be paid at the rate prescribed for such higher classification for the whole of the day if such work is performed continuously for over half of the day and for the whole of the week if such work is performed continuously for over half of the week.

PROPORTION OF JUVENILES.

10. (a) The proportion of male employees under the age of 21 years shall not exceed one to three adult male employees receiving the minimum wage.

(b) The proportion of female employees under the age of 18 years shall not exceed one to three female employees 18 years of age and over receiving the minimum wage.

HOURS.

11. (a) 44 hours shall constitute a week's work.

(b) The week's work may be performed in five or five and a-half days, at the choice of the employer.

(c) When an employer, having chosen five or five and a half days for the performance of the week's work, desires to change from a five-day to a five and-a-half-day week, or vice versa, he shall give at least seven days' notice of the change to the local branch of the Union.

(d) Where the week's work is performed in five days the 44 hours shall be worked between 7 a.m. and 6 p.m. on Monday to Friday inclusive.

(e) Where the week's work is performed in five and a half days the 44 hours shall be worked between 7 a.m. and 6 p.m. on Monday to Friday inclusive, and between 7 a.m. and 1 p.m. on Saturday.

(f) Notwithstanding anything hereinbefore contained, an employer may require any male employee to perform his week's work on night shift. Provided that payment therefor shall be at the rate of time and a quarter. And provided also that where the week's work is performed on night shift of five nights in the week it shall be performed between the hours of 6 p.m. on one day and 7 a.m. on the following day, and between 6 p.m. on a Monday and 7 a.m. on the following Saturday.

OVERTIME.

12. (a) Where the week's work is performed in five days all time worked before 7 a.m. or after 6 p.m. or in excess of 8 hours 48 minutes in a day or on Saturday shall be paid for at time and a half for the first four hours and double time thereafter.

(b) Where the week's work is performed in five and a half days all time worked before 7 a.m. or after 6 p.m. on Monday to Friday inclusive or after 1 p.m. on Saturday or in excess of 8 hours on Monday to Friday inclusive or four hours on Saturday shall be paid for at the rate of time and a half for the first four hours and double time thereafter.

(c) Where the week's work is performed on night shift of five shifts in a week, all time worked before the usual starting time of a shift or after the usual finishing time of a shift or in excess of 8 hours 48 minutes (which shall be deemed to be the ordinary period of a shift) shall be paid for at one and a half times the night shift rate as prescribed in sub-clause (f) of clause 11 of this Determination for the first four hours and at double such rate thereafter.

(d) Where the week's work is performed on night shift of five and a half shifts in a week, all time worked before the usual starting time or after the usual finishing time of a shift or beyond 8 hours of each of the shifts commencing on Monday to Friday inclusive or beyond 4 hours of a shift commencing on a Saturday shall be paid for at one and a half times the night shift rate as prescribed in sub-clause (f) of clause 11 of this Determination for the first four hours and at double such rates thereafter.

(e) Where the week's work is performed in five days, all piecework performed on Saturday or before 7 a.m. or after 6 p.m. or in excess of 8 hours 48 minutes on any Monday to Friday inclusive shall be paid for at the rate of rate and a half for the first four hours and at double rates thereafter.

(f) Where the week's work is performed in five and a half days, all piecework performed before 7 a.m. or after 6 p.m. or in excess of 8 hours on Monday to Friday inclusive or before 7 a.m. or after 1 p.m. or in excess of 4 hours on Saturday shall be paid for at the rate of rate and a half for the first four hours and double rates thereafter.

MEAL INTERVAL.

13. No employee shall work more than 5 hours without a suitable interval for a meal, but this provision shall not apply where the employee finishes work for the day at or before 1 p.m. on Saturdays, or where on Monday to Friday inclusive a female employee ceases work at or before 6 p.m., and a male employee finishes work at or before 6.30 p.m.

MORNING AND AFTERNOON TEA.

14. Females shall be allowed morning and afternoon tea at such times and in such manner as shall not interfere with the continuous running of the factory.

HOLIDAYS DEFINED.

15. (a) The following days shall be holidays:—New Year's Day, Australia Day, Good Friday, Easter Monday, Anzac Day, Labor Day, King's Birthday, Christmas Day, Boxing Day, Union Picnic Day (to be observed during the period from 1st June to 15th November). Provided that in the metropolitan area of Melbourne and the City of Bendigo respectively, Melbourne Cup Day (in the case of the former) and Sunday School Picnic Day (in the case of the latter) may be continued as a holiday instead of Union Picnic Day.

(b) Employees whose contract of hiring is by the week shall suffer no deduction from their pay on account of not working on any of such holidays.

(c) An employee whose contract of hiring is by the week and who is dismissed within seven days of any of the said holidays and is re-engaged within fourteen days after the said holiday shall be paid for such holiday; and in the case of the said holiday being Christmas Day or Good Friday and the re-engagement being within fourteen days of the following New Year's Day or Easter Monday, as the case may be, the employee shall be paid for each of the intervening holidays.

(d) Piece-workers shall be paid for any of the abovementioned holidays not worked at the ordinary rates payable to employees on time-work doing the class of work at which during the week in which such holiday occurs the piece-workers in question are employed.

(e) Should any other day be by Act of Parliament or proclamation substituted for any of the above-mentioned holidays, the day so substituted shall for all purposes be deemed to be a holiday within the scope, meaning, and intention of this clause.

RATES FOR SUNDAYS AND HOLIDAYS.

16. (a) All work other than piecework performed on Sundays and holidays shall be paid for at the rate of double time.

(b) All piecework performed on Sundays and holidays shall be paid for at the rate of rate and a half.

TEA MONEY.

17. An employee required to work overtime for more than one hour shall either be supplied with a meal by the employer or be paid 2s., but should such an employee refuse to work a minimum of two hours overtime if so required by the employer, such employee shall forfeit his right to the payment hereinbefore prescribed.

IMPLEMENTS AND COVERINGS.

18. (a) The employer shall provide all brushes, spoons, knives, and other necessary implements and materials requisite for the work of employees. Such implements and materials, if not returned by the employee on the employer's demand, shall be paid for by the employees at reasonable rates.

(b) Employees engaged in the preparation of lemons and pineapples or in connexion with the handling of hot jam or preserves or packing empty tins into cases shall be provided by the employer with gloves as may be reasonably required. Such gloves shall be returned by the employee to the employer on demand, and in default thereof the employee shall pay for them at a reasonable rate.

(c) Where the employer requires an employee to wear a cap, overalls, or uniform of any description such shall be provided by the employer, free of charge, and shall be kept laundered by the employer. Such cap, overalls, or uniform shall be returned on demand, or in default the employee shall pay for same at a reasonable rate.

(d) Employees required to work in the rain or in places or at work where the employees' clothes become wet shall be provided with waterproof overalls or aprons and waterproof footwear.

FIRST AID.

19. First-aid outfits are to be kept at readily accessible points in every establishment, and where twenty or more persons are employed one of them shall be a competent first-aid man.

DINING-ROOMS AND CONVENIENCES.

20. (a) The employer shall provide suitable dining-room accommodation for employees who desire to remain at the premises of the factory during the meal interval.

(b) The employer shall provide and maintain adequate sanitary and lavatory accommodation for employees, including wash-basins and showers supplied with hot and cold water.

(c) The employer shall provide a locker, capable of being locked, for each employee or in the alternative accommodation for each employees' clothes and effects where such can be left and recovered by each employee without his or her gaining access to the clothes or effects of any other employee.

ANNUAL LEAVE.

21. (a) Except as hereinafter provided a period of fourteen consecutive days' leave with payment of ordinary wages as prescribed shall be allowed annually to an employee by his or her employer after a period of twelve months' continuous service (less the period of annual leave) with such employer.

(b) (i) Such period of annual leave shall not include any holiday mentioned in clause 15 of this Determination when such holiday is observed on a working day, but shall include all other non-working days.

(ii) If any holiday mentioned in clause 15 of this Determination falls within an employee's period of annual leave, and is observed on the day which in the case of that employee would have been an ordinary working day, there shall be added to that period one working day for each such holiday observed as aforesaid.

(iii) Notwithstanding anything hereinbefore contained an employee shall not be entitled to payment for any holiday mentioned in clause 15 of this Determination which falls within his or her period of annual leave and is observed on a day which in the case of such employee would otherwise have been an ordinary working day if, except for reasonable cause (proof whereof shall be upon him or her) he or she fails to resume work at his or her ordinary starting time on the working day immediately following the period comprising his or her period of leave (extended by any such intervening holiday or holidays) and to remain at work thereafter for the number of days equivalent to the number of such holidays.

(c) At least seven days' notice shall be given to an employee as to when he or she is to commence his leave.

(d) Annual leave shall be given at a time fixed by the employer within a period not exceeding six months from the date when the right to annual leave accrued and after not less than one week's notice to the employee; provided that the giving of annual leave may with the consent of the Wages Board be postponed for a period to be specified in cases where the exigencies of the industry render it impracticable to give it in the said period of six months.

(e) The annual leave provided for by this clause shall be allowed and shall be taken and except as provided in sub-clause (h) hereof payment shall not be made or accepted in lieu of annual leave.

(f) Each employee before going on leave shall be paid two weeks' wages at ordinary rates for the occupation in which the employee was ordinarily employed immediately prior to the commencement of his or her leave. Payment in case of employees employed on piece-work or bonus work or any other system of payment by results shall be at time rates.

(g) (i) An employer may grant annual leave to an employee before the right thereto has accrued due but where leave is taken in such a case a further period of annual leave shall not commence to accrue until the expiration of the twelve months in respect of which annual leave had been taken before it accrued.

(ii) Where leave has been granted to an employee pursuant to paragraph (i) hereof before the right thereto has accrued due and the employee subsequently leaves or is discharged from the service of the employer before completing the twelve months' continuous service in respect of which the leave was granted, the employer may for each one complete month of the qualifying period of twelve months not served by the employee deduct from whatever remuneration is payable upon the termination of the employment one-twelfth of the amount of wages paid on account of the annual leave, which amount shall not include any sums paid for any of the holidays prescribed in clause 15 of this Determination.

(h) Proportionate payment shall be made to an employee in respect of each completed month of continuous service when such employee lawfully leaves his or her employment or his or her employment is terminated by the employer through no fault of the employee.

(i) (i) Service shall be deemed to be continuous notwithstanding:—

(a) any interruption or determination of the employment by the employer if such interruption or determination has been made with the intention of avoiding obligations hereunder in respect of annual leave;

(b) any absence from work of not more than fourteen days in the twelve months on account of sickness or accident (proof whereof shall be on the employee);

(c) any absence on account of leave granted imposed or agreed to by the employer;

(d) any absence due to reasonable cause (proof whereof shall be on the employee).

Provided that in cases of personal sickness or accident or absence with reasonable cause the employee to be entitled to the benefit of this sub-clause shall if practicable inform the employer in writing within twenty-four hours after the commencement of such absence of his or her inability to attend for duty and as far as practicable the nature of the illness injury or cause and the estimated duration of his or her absence.

(ii) In calculating a period of twelve months' continuous service:—

(a) (1) any annual leave taken therein;

(2) any absences of the kind mentioned in (a) and (b) of paragraph (i) above shall be counted as part of such period;

(b) in respect of absences of the kind mentioned in (c) and (d) of paragraph (i) above the employee shall serve such additional period as part of his or her qualification for annual leave as will equal the period of such absences;

- (c) (1) where an employee is absent from work for any cause other than a cause stated in section (i) paragraph (a) or (c) of this sub-clause the employer shall within fourteen days of the employee's return to work from such absence give notice in writing (by delivering or posting by prepaid post to the employee at his last recorded place of residence) to the employee if such absence is regarded by the employer, and whether it is so regarded conditionally or unconditionally, as breaking the continuity of the employee's service. In default of such notice as aforesaid the absence shall be deemed not to have broken the continuity of the employee's service;
- (2) where an employee has been given notice in pursuance of the foregoing provision (1) he or she may within fourteen days of its receipt by him or her apply to the Wages Board for its decision as to whether the absence shall be regarded as a break in the continuity of his or her service.
- (j) For the purpose of this clause a month shall be reckoned as commencing with the beginning of the first day of the employment or period of employment in question and as ending at the beginning of the day which in the latest month in question has the same date number as that which the commencing day had in its month, and if there be no such day in such subsequent month shall be reckoned as ending at the end of such subsequent month.
- (k) Where the employer is a successor or assignee or transferee of a business if an employee was in the employment of the employer's predecessor at the time when he became such successor or assignee or transferee the employee in respect of the period during which he or she was in the service of the predecessor shall for the purpose of this clause be deemed to be in the service of the employer.
- (l) Where an employer closes down his plant, or a section or sections thereof, for the purpose of allowing annual leave to all or the bulk of the employees in the plant, or section or sections concerned, the following provisions shall apply—
- (i) He may by giving to the employees concerned not less than one month's notice of his intention so to do, stand off for the duration of the close down all employees in the plant or section or sections concerned, and allow to those who are not then qualified for fourteen consecutive days' leave, paid leave on a proportionate basis of one-sixth of a week's leave for each completed month of continuous service.
- (ii) An employee who has then qualified for fourteen consecutive days' leave, and has also completed a further month or continuous service shall be allowed his or her leave, and shall also be paid one-sixth of a week's wages in respect of each completed month of continuous service performed since the close of his or her last twelve-monthly qualifying period.
- (iii) The next twelve-monthly qualifying period for each employee affected by such close down shall commence from the day on which the plant, or section or sections concerned is reopened for work.
- (iv) If in the first year of his or her service with an employer an employee is allowed proportionate annual leave under paragraph (i) hereof, and subsequently within such year lawfully leaves his or her employment or his or her employment is terminated by the employer through no fault of the employee, he or she shall be entitled to the benefit of sub-clause (k) of this clause subject to adjustment for any proportionate leave which he or she may have been allowed as aforesaid.
- (m) Any dispute as to the rights of an employee to or with respect to annual leave shall be dealt with by the Wages Board.
- (n) That service before the 1st day of January, 1946, shall be taken into consideration for the purpose of calculating a qualifying period for annual leave but an employee shall not be entitled to leave or payment in lieu thereof for any period in respect of which leave or a payment in lieu thereof has been allowed or made under the clause hereby revoked: provided that any broken part of a month served before the 1st day of January, 1946, shall for the purposes of this clause be deemed to have been service after the 1st day of January, 1946; and provided further that the period of annual leave to be allowed under this sub-clause shall be calculated to the nearest day, any broken part of a day in the result not exceeding half a day to be disregarded.

SICK LEAVE.

22. (a) An employee who is absent from work on account of his or her own illness or on account of injury by accident arising out of and in the course of his or her employment shall be entitled to leave of absence without deduction of pay, subject to the following conditions and limitations:—
- (i) He or she shall not be entitled to such leave of absence unless he or she shall have been in the service of the employer concerned for at least three months immediately prior to such absence;
- (ii) He or she shall not be entitled to such leave of absence for any period in respect of which he or she is entitled to workers' compensation;
- (iii) He or she shall within 24 hours of the commencement of such absence inform the employer of his or her inability to attend at his or her work and, as far as practicable, state the nature of the illness or injury and the estimated duration of the absence;
- (iv) He or she shall prove to the satisfaction of the employer (or in the event of any dispute to the Secretary for Labour) that he or she was unable on account of such illness or injury to attend at his or her work on the day or days in respect whereof such leave is claimed. (For the purpose hereof the employer or the Secretary for Labour may require an employee to make a statutory declaration verifying the cause and length of his or her absence);
- (v) He or she shall not be entitled in any year except as hereinafter provided (whether during such year in the employ of one or more than one employer) to such leave of absence in excess of 44 hours of working time, nor to payment in excess of 44 hours at ordinary rates.
- (vi) An employee who in any one year of his or her employment with an employer has not been absent from work for 44 hours of working time on account of his or her own illness or on account of injury by accident arising out of and in the course of his or her employment shall be entitled to the benefits of the provisions of this clause of this Determination in a subsequent year of his or her employment with that employer to the extent of the difference between the actual working time so absent due to the aforesaid causes in that year and the maximum period of 44 hours provided for in this clause: Provided however, that sick leave so accumulated shall not exceed 88 hours working time.
- (b) For the purpose of placitum (iv) of sub-clause (a) hereof, an employer may within one month of the coming into operation of this Determination (in respect of employees in his employ at the date of such coming into operation) or within two weeks of an employee entering his employment (in respect of other employees) require an employee to make a statutory declaration or other written statement as to what leave of absence without deduction of pay he or she has had from any employer during the then current year, and the employer shall be entitled to rely and act upon such statement.
- (c) For the purposes of this clause, an employer may arrange with the secretary of the local branch of the Union for the recognition of a specified date as the commencing date of each year, and when so arranged, such date shall be binding for such purposes on the Union, the employer, and his employees. In the absence of any such arrangement, "year" shall mean—
- (i) In the case of an employee in the service of an employer on the date of the coming into operation of this Determination, a year of service commencing on that date, except in the case where the employer has before that date allowed paid sick leave, when it shall mean the year of service then current;
- (ii) In other cases, a year of service in the employ of the employer concerned.
- (d) A piece-worker shall be entitled to leave of absence subject to the conditions and limitations set out in sub-clause (a) hereof, and in respect thereof shall be paid at the time-work rate appropriate to the work at which he or she would, except for the illness or injury causing absence, have been employed.

LIMITATION OF EMPLOYER'S LIABILITY.

23. Where an employer covered by this Determination has made a payment to an employee, which payment purports to be a payment of the wages payable to the employee for any period, such employer shall not be liable to pay to the employee any further sums prescribed by this Determination in respect to any services rendered to such employer during such period, unless within three calendar months after the last day of such period a demand in writing of such further sum claimed has been given to the employer by the employee.

TIME-BOOK AND INSPECTION.

24. The employer shall provide at the factory a time-book. Such time-book shall contain a correct account of the hours worked and the rates received by each employee, and shall be kept correctly entered up in ink. The secretary or the branch secretary of the Union shall have power to inspect the time-book, and also the right to visit the office of the employer for this purpose, and also for the purpose of investigating any breach or suspected breach of this Determination which is occurring or has occurred, and to interview such employee involved or concerned in the breach or suspected breach of this Determination. The employer shall make available to the officer any employees required by him in connexion with the investigation.

The time of any such visit shall be notified to the employer by the officer prior to his actually going to the office, and the employer shall provide the officer with the necessary facilities for the investigation of the breach or suspected breach of this Determination.

The officer shall interfere with and inconvenience the work and the duties of the employees as little as possible.

UNION NOTICES.

25. At each factory reasonable facilities shall be afforded officers of the Union for the necessary work in connexion therewith, and the Union shall be permitted to post Union meeting notices on a board in each factory in a reasonable manner.

Without affecting the generality of the foregoing paragraph, each employer carrying on principally the industry covered by this Determination shall permit a member of the Union nominated by the general secretary of the Union to enter the part of the factory premises of such employer set apart for meals once a week, on a day to be appointed by such employer, during the meal interval, for the purpose of interviewing members of the Union on matters relating to this Determination. If such authorized person exceeds the limits of his authority, his permit may be terminated by the Secretary for Labour on an application by any employer showing good cause.

PERIODICAL ADJUSTMENT OF WAGES.

26. *Adult Males.*—The wages rates set out in clause 2 are based upon the following basic wage ingredient and pursuant to the provisions of Section 21 of the *Factories and Shops Act 1934*, the Board hereby determines that the rates for adult males shall be automatically adjusted as prescribed by clause 27.

Basic Wage Ingredient.

Place.	Basic Wage Ingredient.	Index Number Set Assigned.
	£ s. d.	
Throughout the State	5 2 0	Sydney, Melbourne, Adelaide, and Hobart } Weighted average.

ADJUSTMENT OF BASIC WAGE INGREDIENT.

27. (a) For the purposes of this Determination, the expression "Commonwealth Statistician's 'all items' retail price index numbers" or any like expression means the numbers stated to be such index numbers in any document purporting, and not proved to be wrongly so purporting, to be printed by the Commonwealth Government Printer or to be signed by or on behalf of the Commonwealth Statistician.

(b) Until the beginning of the first pay period to commence in August, 1947, the amounts of the basic wage ingredient shall be as prescribed in clause 26.

(c) During each future successive period beginning with the first pay period to commence in an August, a November, a February, or a May, the amount of the needs basic wage shall be adjusted by the following method, namely, by multiplying the last published Commonwealth Statistician's "all items" retail price index number by the factor .087 taken to one place of decimals, the resultant whole number being the amount of the basic wage expressed in shillings, but should the decimal number reach .5 or more the basic wage shall be taken to the next higher shilling.

(d) *Adult Females.*—Adult female rates shall be adjusted as follows:—By increasing or decreasing by the amount of the difference from time to time in the basic wage ingredient for females. Such basic wage ingredient shall be 55 per cent. of the basic wage ingredient for males, calculated to the nearest 3d. The weekly wage payable shall be the basic wage ingredient as so obtained plus the margins and loadings shown in clause 28 (b).

(e) *Junior Employees.*—The rates of junior employees shall be adjusted from time to time by increasing or decreasing the said rates in the same proportion as any increase or decrease of the male basic wage ingredient of the wages rates per week of adult employees bears to the basic wage ingredient of £4 13s. Provided that any such adjustment shall be calculated to the nearest 3d. per week, and are to be made upon the following rates:—

Males—	£ s. d.
Under 17 years of age	2 0 0
17 years of age and under 18 years of age	2 10 0
18 years of age and under 19 years of age	3 0 0
19 years of age and under 20 years of age	3 10 0
20 years of age and under 21 years of age	4 0 0
Females—	
Under 18 years of age	2 3 9

MARGINAL RATES.

28. (a) *Adult Males.*—In addition to the basic wage ingredient as provided in Clause 26 of this Determination the following margins and loadings shall be the minimum rates payable to male adults engaged in the occupations named.

	Margins. Per Week.	Prosperity Loading Per Week.	Industry Loading Per Week.
	£ s. d.	s. d.	s. d.
Foreman (first jam maker)	1 9 0	5 0	7 0
Assistant jam maker (as defined)	0 19 0	5 0	7 0
Foreman packer in charge of despatch and packing department	0 19 0	5 0	7 0
Foreman sauce, chutney, pickles or condiment maker (as defined)	0 19 0	5 0	7 0
Fruit or vegetable preserver (as defined)	0 19 0	5 0	7 0
Fruit crystallizer	0 15 6	5 0	7 0
Candy peel maker in charge	0 14 0	5 0	7 0
Operator of peach pitting or pear preparing machine	0 12 0	5 0	7 0
Foreman, bottle department	0 9 0	5 0	7 0
Foreman, packer's assistant	0 9 0	5 0	7 0
Foreman, pulp department	0 9 0	5 0	7 0
Man working in connexion with freezing or cooling chambers	0 9 0	5 0	7 0
Man working in dehydrating tunnel	0 9 0	5 0	7 0
Operator of labelling machine labelling canned goods	0 9 0	5 0	7 0
Operator of fruit or vegetables lye machine	0 9 0	5 0	7 0
Syrup maker, i.e., a person who actually boils the syrup	0 9 0	5 0	7 0
Tapper	0 9 0	5 0	7 0
Driver of power-driven factory truck	0 8 0	5 0	7 0
Employees engaged in inspecting fruit for acceptance or rejection	0 8 0	5 0	7 0
Employee in fruit crystallizing department (other than fruit crystallizer)	0 8 0	5 0	7 0
Storeman and packer (as defined)	0 7 0	5 0	7 0
Employees operating can-closing machine	0 9 0	5 0	7 0
Employee engaged feeding into and/or taking from lacquer machine	0 5 0	5 0	7 0
Employees feeding into and/or taking from bottle-washing machine	0 10 0	5 0	7 0
Employee engaged in bottle-washing department	0 5 0	5 0	7 0
Retort hand (as defined)	0 5 0	5 0	7 0
Employee engaged in juice-making room or department (where juice is extracted for use in jams and jellies)	0 5 0	5 0	7 0
All others	0 3 0	5 0	7 0

(b) *Margins and Loadings for Adult Females.*

	Margins. Per Week.	Prosperity Loading Per Week.	Industry Loading Per Week.
	£ s. d.	s. d.	s. d.
Head forewoman	1 1 0	2 9	5 6
Forewoman's assistant	0 11 0	2 9	5 6
Head woman supervisor	0 11 0	2 9	5 6
Supervisor (as defined)	0 9 0	2 9	5 6
Employees engaged in—			
(i) clipping piece-work tickets;			
(ii) cutting or pulping lemons or pineapples;			
(iii) lifting jam, fruit, sauce, sugar, vegetable or wet condiments weighing over 20 lb.	0 9 0	2 9	5 6
(iv) operating a peach pitting or pear-preparing machine	0 12 0	2 9	5 6
(v) operating can-closing machines			
(vi) packing clear mixed pickles into glass containers			
(vii) pouring out or filling jam by hand			
(viii) pouring out pulp by hand	0 9 0	2 9	5 6
(ix) stirring jam, sauce or pulp			
(x) washing bags			
(xi) working at a fruit press			
(xii) feeding into and/or taking from lacquer machine	0 5 0	2 9	5 6
(xiii) feeding into and/or taking from bottle-washing machine	0 10 0	2 9	5 6
(xiv) bottle-washing department	0 5 0	2 9	5 6
All other adult females, i.e., females eighteen years of age or over	0 3 0	2 9	5 6

SCHEDULE "A."

PIECE-WORK.

The lowest piece-work prices payable to any person engaged in the following kinds of work shall be:—
Preparation of Fruit or Vegetables for Canning or Jam, &c.

Fruit or Vegetable.	Work Performed.	Purposes for which prepared—			
		Jam.		Canning.	
		Price per Standard Case.	Price per Bucket.	Price per Standard Case.	Price per Bucket.
(a) When the fruit is carried to and taken away from the worker's bench and measured prior to the particular operation—					
Apples	Peeling by hand	s. d. 0 8½	s. d.	s. d. 0 8½	s. d.
"	Cutting by hand	0 6½	"	0 6½	"
"	Coring by hand	0 6½	"	0 6½	"
"	Peeling, cutting or coring by machine	0 7½	"	0 7½	"
Apricots	Sorting	0 1	"	0 2	"
"	Cutting and stoning	0 7½	0 2½	0 10½	"
"	Stoning for jam	"	0 1½	"	"
Asparagus (large)	Scraping	"	"	"	0 3½
" (medium)	Scraping	"	"	"	0 3½
" (small)	Scraping	"	"	"	0 3½
Cherries	Stalking	"	"	0 10½	"
Figs (large)	Stalking	"	0 1½	"	0 1½
" (small)	Stalking	"	0 1½	"	0 1½
Green ginger	Cutting and scraping for jam	"	1 9	"	"
Gooseberries	Topping and tailing	"	1 0	"	1 0
Grapes	Sorting and staling	0 7	"	0 9½	"
Oranges	Cutting and spooning by hand (2½ inches in diameter and over)	0 7½	"	"	"
"	Cutting and spooning by hand (under 2½ inches in diameter)	0 10	"	"	"
Peaches	Sorting	0 0½	"	0 1	"
"	Stoning for jam	"	0 1½	"	"
"	Cutting and stoning peeled peaches	"	"	0 6	"
"	Cutting and stoning unpeeled peaches	"	"	0 6	"
"	Cutting and stoning "Golden Queen" and/or "Goodman's Choice" 2½ inches in diameter and over	"	"	0 7	"
"	Cutting and stoning peaches under 2½ inches in diameter	"	"	0 8	"
"	Peeling for canning	"	"	0 7	"
Pears (large and medium)	Peeling, cutting and coring (into water)	"	"	1 1½	"
" (small)	Peeling, cutting and coring (not into water)	"	"	1 0	"
"	Peeling, cutting and coring (into water)	"	"	1 3	"
"	Peeling, cutting and coring (not into water)	"	"	1 1	"
Plums	Sorting and staling (from screens)	0 2½	"	0 2½	"
"	Sorting and staling (from tables)	0 2½	"	0 3	"
Cherry plums	Sorting and staling (from screens)	0 2½	"	0 3	"
"	Sorting and staling (from tables)	0 2½	"	0 3½	"
Greengages	Sorting and staling (from screens)	0 2½	"	0 3	"
"	Sorting and staling (from tables)	0 2½	"	0 3½	"
Quinces	Peeling, cutting and coring by machines	0 6	"	0 6	"
"	Peeling by hand (not topping or tailing)	0 7	"	0 7	"
"	Peeling by hand and topping and tailing	0 9	"	0 9	"
"	Cutting by hand	0 6	"	0 6	"
"	Coring by hand (quarters)	0 6	"	0 6	"
"	Coring by hand (halves)	0 4½	"	0 4½	"
"	Sorting and picking over machine cored slices	"	0 2	"	0 2
Tomatoes	Peeling	"	"	"	0 3
"	Sorting for canning	"	"	0 2½	"
Strawberries	Stalking (per 3 baskets)	0 2	"	"	"
(b) When the fruit has to be carried to or from the bench by the worker or when measurement is reckoned after the particular operation—					
Apples	Peeling by hand	s. d. 0 9	s. d.	s. d. 0 9	s. d.
"	Cutting by hand	0 7	"	0 7	"
"	Coring by hand	0 6½	"	0 6½	"
"	Peeling, cutting and coring by machine	0 8	"	0 8	"
Apricots	Stoning for jam	"	0 1½	"	"
"	Cutting and stoning for canning	"	"	0 11	"
Asparagus (large)	Scraping	"	"	"	0 3½
" (medium)	Scraping	"	"	"	0 3½
" (small)	Scraping	"	"	"	0 3½
Figs (large)	Stalking	"	0 1½	"	0 1½
" (small)	Stalking	"	0 1½	"	0 1½
Ginger (green)	Cutting and scraping for jam	"	1 9	"	"
Gooseberries	Topping and tailing for canning	"	1 0	"	1 0
Grapes	Sorting and staling	0 8	"	0 9½	"
Peaches	Stoning for jam	"	0 1½	"	"
"	Cutting and stoning peeled peaches	"	"	0 7½	"
"	Cutting and stoning unpeeled peaches	"	"	0 7½	"
"	Peeling for canning	"	"	0 7½	"
Pears	Peeling, cutting and coring (into water)	"	"	1 3	"
"	Peeling, cutting and coring (not into water)	"	"	1 1	"
Plums	Sorting and staling (from screens)	0 2½	"	0 3½	"
"	Sorting and staling (from tables)	0 2½	"	0 3½	"

* See Footnote.

* See Footnote.

* Note—20 per cent shall be added to the above piecework prices.

SCHEDULE "A"—continued.
 PIECE-WORK.
 Preparation of Fruit or Vegetables for Canning or Jam, &c.—continued.

Fruit or Vegetable.	Work Performed.	Purposes for which prepared—			
		Jam.		Canning.	
		Price per Standard Case.	Price per Bucket.	Price per Standard Case.	Price per Bucket.
(b) When the fruit has to be carried to or from the bench by the worker or when measurement is reckoned after the particular operation—continued.					
		<i>s. d.</i>	<i>s. d.</i>	<i>s. d.</i>	<i>s. d.</i>
Cherry plums	Sorting and staking (from screens)	0 2½	..	0 3½	..
" "	Sorting and staking (from tables)	0 3	..	0 3½	..
Greengages	Sorting and staking (from screens)	0 2½	..	0 3½	..
" "	Sorting and staking (from tables)	0 3	..	0 3½	..
Quinces	Peeling, cutting and coring by machine	0 6½	..	0 6½	..
" "	Peeling by hand	0 8½	..	0 8½	..
" "	Cutting by hand	0 6½	..	0 6½	..
" "	Coring by hand (quarters)	0 6½	..	0 6½	..
" "	For jam and canning	0 6½	..	0 6½	..
" "	Canning	0 4½	..	0 4½	..
Tomatoes	Peeling	0 3
" "	Sorting for canning	0 2½	..
Strawberries	Stalking (per 3 baskets)	0 2
OTHER WORK.					
				Per tray of 12 cans.	
				Stud tops.	Open tops.
		<i>s. d.</i>	<i>s. d.</i>	<i>s. d.</i>	<i>s. d.</i>
Apricots—Grading or placing in 2½-lb. (nominal) fruit cans	0 1½	0 1½
Pears—Grading or placing in 2½-lb. (nominal) fruit cans	0 1½	0 1½
Peaches—Grading and placing in 2½-lb. (nominal) fruit cans	0 1½	0 1
Any other fruits or tomatoes—placing in 2½-lb. (nominal) fruit cans	0 1½	0 1
Asparagus—Placing in 2-lb. (nominal) cans	0 3	per tray of 16 cans
Tomatoes—Sorting for sauce	0 1½	per standard case
Labelling by hand 1-lb. or 2-lb. jam tins	1 8½	per 1,000 tins
Labelling by hand 2½-lb. fruit cans	1 8½	per 1,000 cans
PICKLES.					
Packing mixed pickles with vegetables already cut, best quality	0 6½	per doz. bottles
Packing mixed pickles with vegetables already cut, second quality	0 5½	per doz. bottles
Cutting vegetables for mixed pickles and packing same, best quality	0 8	per doz. bottles
Cutting vegetables for mixed pickles and packing same, second quality	0 7	per doz. bottles
Cutting up vegetables for mustard pickles (by knife)	2 6	per cwt.
Cutting up vegetables for mustard pickles (by chopper)	2 0	per cwt.
				When weighed before the operation.	When weighed after the operation.
				per cwt.	per cwt.
		<i>s. d.</i>	<i>s. d.</i>	<i>s. d.</i>	<i>s. d.</i>
Peeling small onions (1 inch diameter and under)	7 6	10 0
Peeling onions (over 1 inch and up to 1½ inches in diameter)	6 0	8 0
Tomato Sauce or Chutney—Preparation for Sale.					
	Work Performed.			Per gross of ordinary Pint Bottles.	Per gross of ordinary Quart Bottles.
		<i>s. d.</i>	<i>s. d.</i>	<i>s. d.</i>	<i>s. d.</i>
Cutting corks	..	0 1½
Paraffin waxing	..	0 1½
Red waxing	..	0 5	..	0 6	..
FIRST QUALITY SAUCE.					
Bottling or filling	..	0 4½	..	0 6	..
Chipping or packing	..	0 1½	..	0 2½	..
Labelling with one label	..	0 6	..	0 6½	..
Labelling with one label and foil	..	1 0	..	1 1	..
Labelling with two labels and foil	..	1 4	..	1 6	..
Labelling with three labels and foil	..	1 5	..	1 6½	..
Labelling with four labels and foil	..	1 7	..	1 10	..
Labelling with three labels, foil and bird (for export)	..	1 7	..	1 10	..
Wrapping	..	0 2½	..	0 2½	..
SECOND QUALITY SAUCE.					
Filling 10 oz. coffee essence bottles	..	0 5½
Labelling with one label	..	0 5
Labelling with two labels	..	0 9
Foiling	..	0 5
CHUTNEY.					
Filling	..	4d. per gross of 13 oz. bottles.
Labelling	..	(Same price as pint bottles of tomato sauce).

* See Footnote.

* See Footnote.

* Note.—20 per cent. shall be added to the above piecework prices.

If any other sized tins are used the prices shall be fixed from time to time by the employer and the Union. For the purpose of this schedule a "standard case" of fruit shall be equivalent to a kerosene case when not filled above the level of the top.

Where a piece-worker has been instructed to commence work on any day and attends and is ready to work, but is prevented from or delayed in completing eight hours piece-work on that day through any cause for which the employer is responsible, such piece-worker shall be entitled to be paid not less than one-sixth of the weekly wage prescribed in this Determination for an adult male, or a juvenile male, or an adult female, or a juvenile female, as the case may be.

P. A. RANGLES, J.P., Chairman.
 J. V. WILLOX, Secretary.

Melbourne, 27th May, 1947.

By Authority: J. J. GOUBLEY, Government Printer, Melbourne.

11/11/2024 10:10:10 AM

11/11/2024 10:10:10 AM

11/11/2024 10:10:10 AM

11/11/2024 10:10:10 AM

11/11/2024 10:10:10 AM

11/11/2024 10:10:10 AM

11/11/2024 10:10:10 AM

11/11/2024 10:10:10 AM

11/11/2024 10:10:10 AM

11/11/2024 10:10:10 AM

11/11/2024 10:10:10 AM

11/11/2024 10:10:10 AM

11/11/2024 10:10:10 AM

11/11/2024 10:10:10 AM

11/11/2024 10:10:10 AM

11/11/2024 10:10:10 AM

11/11/2024 10:10:10 AM

11/11/2024 10:10:10 AM

11/11/2024 10:10:10 AM

11/11/2024 10:10:10 AM

11/11/2024 10:10:10 AM

11/11/2024 10:10:10 AM

11/11/2024 10:10:10 AM

11/11/2024 10:10:10 AM

11/11/2024 10:10:10 AM

11/11/2024 10:10:10 AM

11/11/2024 10:10:10 AM

11/11/2024 10:10:10 AM

11/11/2024 10:10:10 AM

11/11/2024 10:10:10 AM

11/11/2024 10:10:10 AM

11/11/2024 10:10:10 AM

11/11/2024 10:10:10 AM

11/11/2024 10:10:10 AM

11/11/2024 10:10:10 AM



VICTORIA GOVERNMENT GAZETTE.

Published by Authority.

[Registered at the General Post Office, Melbourne, for transmission by post as a newspaper.]

No. 309]

TUESDAY, JULY 8.

[1947

Factories and Shops Acts.

DETERMINATION OF THE TENTMAKERS BOARD.

This Determination applies to the whole of the State of Victoria.

IN accordance with the provisions of the Factories and Shops Acts, the Wages Board which since the 13th September, 1927, has had the power to "determine the lowest prices or rates which may be paid to any person or persons or classes of persons employed in the trade of manufacturing:—

(a) Articles made of canvas or a substitute for canvas such as—

Sails, tents, marquees, ships' gear, wings of aeroplanes, horse rugs, cow rugs, water bags, outside blinds (except Venetian blinds), filters, mail bags, tarpaulins;

(b) Any other kind of canvas goods except those subject to the jurisdiction of any of the following Boards:—

Agricultural Implements Board,
Country Agricultural Implements Board,
Boot Board,
Carriage Board,
Leather Goods Board, and
Rubber Trade Board.

(c) Flags"—

has made the following Determination, namely:—

1. That as from the beginning of the first pay period to commence in May, 1947, the last previous Determination of this Board, shall be revoked and replaced by this Determination.

WAGES (ADULTS.)
Per Week.

2.

	Adjustable Weekly Wage.	Non-Adjustable.		Total Wage.
		* Loading Constant.	* War-Time Loading.	
Journeyman engaged in the manufacture and/or repair of canvas goods or like material by use of palm and needle (excepting whipping of ropes) where palm and needle is used up to size 2 inches in circumference)	£ s. d. 6 4 0	s. d. 5 0	s. d. 4 0	£ s. d. 6 13 0
Other Journeymen engaged in the manufacture or repair of canvas goods of all descriptions	5 18 0	5 0	4 0	6 7 0
All other Journeymen	6 4 0	5 0	4 0	6 13 0
Journeywomen	3 3 6	2 6	2 0	3 8 0

* NOTE.—These loadings shall not be subject to adjustment pursuant to cost of living fluctuations and shall not be taken into account in the calculation of overtime or other penalty rates prescribed by this determination.

In addition to the above rates the following shall be paid.

(a) Machinists employed on machining on aeroplane hangars shall be paid 3 13/22d. per hour in addition to the rates prescribed for machinists generally under this Determination.

(b) Repair of canvas goods of all descriptions which the foreman and journeyman or journeywoman shall agree are of an unusually dirty or offensive nature:—1½d. per hour extra.

In case of disagreement between the foreman and employee, the employee or a shop steward on his behalf shall be entitled, within 24 hours, to ask for a decision on the employee's claim by the employer's industrial officer (if there be one), or otherwise by the employer or the executive officer responsible for the management or superintendence of the plant concerned. In such case a decision shall be given on the employee's claim within 24 hours of its being asked for (unless that time expires on a nonworking day in which case it shall be given during the next working day), or else the said allowance shall be paid.

In any case where the Union alleges that an employer or his representative is persistently unreasonable or capricious in relation to such claims, it shall have the right to bring such case before the Secretary for Labour.

(c) Females working on large machines (132K, 7.5, 45K, and Grummet) on canvas goods or like material, 3s. 6d. per week extra on above rates.

(d) Female machinists employed on machining cupra ammonia canvas shall be paid 9d. per hour extra for the time so employed.

(e) (i)—

Schedule No.	Weight before Proofing.	Colour.	Additional Rate per Hour to be Applied.
<i>Group 1.</i>			
PROOFED 219D.—COPPER SOAP DOUBLE BATH PROCESSED MATERIAL.			
2A	17-18	Green	} Female employees 3d. per hour in addition to the appropriate rate otherwise payable under the Determination
3A	12	Khaki	
3B	12	Green	
3C	10	Green	
3G	10-12	Green	
3H	12	Green	
16A	8	Jungle Green (Light) ..	
19A	6-7	Khaki	
19B	6-7	Dark Toned Khaki ..	
19C	6-7	Khaki Green	
19D	6-7	Khaki Green	
20A	10	Green	
19E	6-7	Khaki	} Female employees 9d. per hour in addition to the appropriate rate otherwise payable under the Determination
<i>Group 2.</i>			
PROOFED 219D.—PHENYL MERCURIC ACETATE—WAX EMULSION PROCESSED MATERIAL.			
7A	18	White	} Female employees 3d. per hour in addition to the appropriate rate otherwise payable under the Determination
7B	18	White	
7C	17-18	White	
7D	18	White	
7E	18	White	
8A	12	White	
9A	10-12	Dark Toned	
18A	14	White	
21A	8	Jungle Green (Dark) ..	
<i>Group 3.</i>			
PROOFED 219D.—HOT WAX—COPPER SOAP PROCESSED MATERIAL.			
14A	17-18	Green	} All male employees (adult or juvenile) 3d. per hour in addition to the appropriate rate otherwise payable under the Determination and all females (adult or juvenile) the rate for adult males payable under the Determination but exclusive of the 3d. per hour mentioned in this paragraph
15A	17-18	Green	
15B	17-18	Green	
15C	17-18	Green	
PROOFED 219D.—COPPER SOAP DOUBLE BATH WITH A HOT WAX OVERCOAT PROCESSED MATERIAL.			
15D	17-18	Green	All employees (adult or juvenile) 3d. per hour extra in addition to the appropriate rate otherwise payable under the Determination and a further 6d. per hour extra in addition to above rate to females engaged on articles over 36 lb. in weight
<i>Group 4.</i>			
PROOFED 219D.—COPPER SOAP DOUBLE BATH RETREATED WITH PHENYL MERCURIC ACETATE WAX EMULSION PROCESSED MATERIAL.			
6A	17-18	Green	All female employees 3d. per hour in addition to the appropriate rate otherwise payable under the Determination
PROOFED 219D.—PIGMENTED ONE SIDE, AND OVERCOATED WITH COPPERIZED WAX EMULSION. (CONTAINING PHENYL MERCURIC ACETATE) PROCESSED MATERIAL.			
13A	12	Olive Drab (one Side) ..	All employees (adult or juvenile) 3d. per hour extra in addition to the appropriate rate otherwise payable under the Determination and a further 6d. per hour extra in addition to above rate to females engaged on articles over 36 lb. in weight
PROOFED J. Q. D. 242.			
..	9.85	Olive Drab (Lightweight)	All employees (adult or juvenile) 3d. per hour extra in addition to the appropriate rate otherwise payable under the Determination and a further 6d. per hour extra in addition to above rate to females engaged on articles over 36 lb. in weight
<i>Group 5.</i>			
PROOFED 219D.—COPPERIZED WAX EMULSION PROCESSED MATERIAL.			
3F	10-12	Khaki	} All employees (adult or juvenile) 3d. per hour extra in addition to the appropriate rate otherwise payable under the Determination and a further 6d. per hour extra in addition to above rate to females engaged on articles over 36 lb. in weight
3I	10-12	Green	

(ii) Any employee actually engaged in attaching proofed webbing and/or proofed rope to proofed canvas material shall receive the same additional rate per hour whilst so engaged as that prescribed for handling the proofed material to which such webbing and/or rope is being attached of such rot-proofed canvas materials as is used in the fabrication of such tentage tarpaulins or covers.

Provided that the provisions of sub-clauses (d) and (e) hereof shall apply only to machinists employed on machining canvas or duck supplied to employers by the Department of Supply and Shipping for manufacturing articles to the order of a Commonwealth Government Department or authority and such canvas or duck is limited to that specially treated against rot, and/or damp and/or flame.

FEMALES TO BE PAID MALE RATE.

3. Where a female is employed to do the following class of work, she shall be paid the rate which is prescribed for adult males:—

(a) Machinists employed on olive drab canvas:

Provided that this provision shall apply only to machinists employed on machining canvas or duck supplied to employers by the Department of Supply and Shipping for manufacturing articles to the order of a Commonwealth Government Department or authority, and such canvas or duck is limited to that specially treated against rot, and/or damp, and/or flame.

(b) Cutting by machine any materials, and

(c) Cutting by hand all classes of material, provided that trimming, cutting patches of material under 12 oz. in weight and cutting any single thicknesses of materials not more than 10 oz. in weight shall be paid for at the appropriate female rates.

APPRENTICES—MALES.

4. (a) The probationary period of trainee apprentices or apprentices shall not exceed three months.
 (b) The minimum rates of wage to be paid to apprentices or probationers shall be not less than the following :—

	Weekly Wage.	Non-Adjustable.		Total Wage.
		* Loading Constant.	* War-time Loading.	
Five year terms—	<i>s. d.</i>	<i>s. d.</i>	<i>s. d.</i>	<i>s. d.</i>
First year's experience	21 6	0 6	0 6	22 6
Second year's experience	29 0	1 0	1 0	31 0
Third year's experience	37 9	1 6	1 6	40 9
Fourth year's experience	58 0	2 0	2 0	62 0
Fifth year's experience	75 3	2 0	2 0	79 3
Four year terms—				
First year's experience	23 0	0 6	0 6	24 0
Second year's experience	37 9	1 0	1 0	39 9
Third year's experience	58 0	2 0	2 0	62 0
Fourth year's experience	75 3	2 0	2 0	79 3

* NOTE.—These loadings shall not be subject to adjustment pursuant to cost of living fluctuations and shall not be taken into account in the calculation of overtime or other penalty rates prescribed by this determination.

- (c) Experience in this clause means actual experience, whether as an apprentice or otherwise, in any one or more of the operations provided as apprenticeship operations.
 (d) Except as otherwise provided minors may be engaged in the following occupations under contracts of apprenticeship or trainee apprenticeship framed in conformity with this Determination :—
 (1) Sail, tent and canvas goods maker;
 (2) Ship's gear maker.
 (e) The period of apprenticeship shall not exceed four or five years, including any period of experience in the occupation to which the minor is being apprenticed prior to entering into the indenture of apprenticeship.
 (f) An employer especially qualified to teach apprentices may, with the consent of this Wages Board, employ a greater proportion of apprentices to tradesmen than hereinbefore specified.
 (g) Until further order any contract of apprenticeship may contain the following provision :—
 If through lack of order or through financial difficulties the employer is unable at any time to find employment and training for an apprentice and if a transfer to another employer cannot be arranged, the obligations and duties imposed by the indenture may with the concurrence of the apprentice and his guardian be suspended for a period agreed upon or if no such agreement is arrived at may be cancelled by the employer. The onus of proof of circumstances justifying such cancellation shall be on the employer.
 (h) Any apprentice who cannot complete his full term of apprenticeship before reaching his twenty-second birthday may by agreement with his master serve as an apprentice until he reaches the age of twenty-three years.
 (i) All wages shall be paid without deduction for specified holidays or for unavoidable absences through sickness to the number of four days per annum.
 (j) The apprentice at the end of the calendar period of any year in which he has actually given service to the master upon less than the ordinary working days prescribed in this Determination, or in which he has unlawfully absented himself without the master's consent shall, for every day short of the said number of working days, and for every day of such absence, serve one day, and the calendar period of the succeeding year of his service shall not be deemed to begin until the said additional day or days shall have been served.
 (k) The ordinary hours of employment of apprentices shall be the same in each workshop as those of journeymen.
 (l) An apprentice under the age of eighteen years shall not be liable to work overtime unless he so desires.
 (m) An apprentice shall not work under any system of payment by results.
 (n) An employer shall not, either directly or indirectly, or by any pretence or device, receive from any person or require or permit any person to pay or give any consideration in the nature of a premium or bonus for the taking or binding of any probationer or apprentice.

JUNIOR WORKERS—MALES.

5. (a) Junior Workers may be employed at the following rates of pay :—

Age.	Weekly Wage.	Non-Adjustable.		Total Wage
		* Loading Constant.	* War-Time Loading.	
	<i>s. d.</i>	<i>s. d.</i>	<i>s. d.</i>	<i>s. d.</i>
Under 16 years of age	21 6	0 6	0 6	22 6
16 and under 17 years of age	29 0	1 0	1 0	31 0
17 and under 18 years of age	37 9	1 6	1 6	40 9
18 and under 19 years of age	58 0	2 0	2 0	62 0
19 and under 20 years of age	75 3	2 0	2 0	79 3
20 and under 21 years of age	92 0	2 0	2 0	96 0

* These loadings shall not be taken into account in computing overtime.

- (b) The proportion of Junior Workers and apprentices allowed shall be :—

Male Employee receiving at least Adult Male Basic Wage.	Junior Workers including Apprentices.
1	1
2 to 20	1 for every 2 such male employees
Over 20	A further 1 for every 3 such male employees over 20

In computing the proportion under this sub-clause, the number of such male employees employed for the whole of the previous six months shall be taken.

JUNIOR WORKERS—FEMALES.

6. (a) Female Junior Workers may be employed at the following rates of pay :—

Experience.	Weekly Wage.	Non-Adjustable.		Total Wage.
		* Loading Constant.	* War-Time Loading.	
	<i>s. d.</i>	<i>s. d.</i>	<i>s. d.</i>	<i>s. d.</i>
First year's experience	20 9	0 6	0 6	21 9
Second year's experience	27 9	1 0	1 0	29 9
Third year's experience	34 9	1 0	1 0	36 9
Fourth year's experience	45 0	1 6	1 6	48 0

And thereafter the minimum wage prescribed for females for the class of work which they are doing

* These loadings shall not be taken into account in computing overtime.

(b) For the purposes of this clause "experience" shall mean any form of employment in this industry.

(c) Juniors employed under this clause shall on dismissal receive from their employer a certificate of the period of employment completed. Employers who wilfully employ juniors without taking into account previous experience shall be guilty of a breach of this Determination.

(d) The proportion of female apprentices and junior workers shall not exceed two to one adult female receiving the minimum wage.

DEFINITIONS.

7. (a) "Journeyman" shall mean a male employee 21 years of age or over, other than apprentices provided that the rates prescribed for juniors between 19 and 21 years of age in clause 5 hereof shall operate until the junior has reached the age of 21 years.

(b) "Journeywoman" shall mean a female employee 21 years of age or over, or one who has worked four years or more on any work for which the adult rate is prescribed.

(c) "Union" shall mean the Australian Saddlery Leather Sail Canvas Tanning Leather Dressing, and Allied Workers Trades Employees Federation.

HOURS.

8. (a) 44 hours shall constitute a week's work.

(b) The regular hours of work shall not be earlier than 7 a.m. and not later than 6 p.m. on five days of the week and not earlier than 7 a.m. and not later than noon on Saturday or other day in which a half-holiday is kept.

(c) Not more than eight hours forty-eight minutes (except if paid for at overtime rates) shall be worked in any one day in each week.

MIXED FUNCTIONS.

9. An employee engaged for more than half of one day or shift on duties carrying a higher rate than his ordinary classification shall be paid the higher rate for such day or shift. If for less than half of one day or shift, he shall be paid the higher rate for the time so worked.

MEAL TIME.

10. (a) Employees shall be allowed one meal break of not less than 30 minutes, such meal break to commence not later than 1 p.m.

(b) Meal intervals having been fixed shall not be altered except on seven days' notice to a shop steward employed in the factory and where there is no shop steward, on notice to the secretary of the local branch of the Union.

(c) Any employee called upon to work during a meal hour shall be paid time and a half, and such time and a half shall continue until he or she has had a meal break.

OVERTIME.

11. (a) All time worked on any day before or after the regular working hours or in excess of 8 hours 48 minutes on any one day, or in excess of 44 hours in any one week, shall be paid for at the rate of time and a half for the first four hours and double time thereafter.

(b) In computing overtime each day's work shall stand alone.

(c) Any employees required to work overtime for more than two hours in any one day without being notified the day before that they will be required so to work, shall either be supplied with a meal by the employer or paid 2s., but such payment need not be made to employees living in the same locality as their workshop who can reasonably return home for meals.

(d) If any employee pursuant to notice under the preceding sub-clause has provided a meal and is not required to work overtime, he or she shall be paid 2s. for the meal so provided.

(e) No junior male worker (under the age of 16 years) or any female employee shall work overtime after 9 p.m.

PIECE-WORK.

12. (a) Subject to the employee receiving at least the minimum time rate an employer may remunerate, in respect of callings in which employees now work under a system of payment by results, any of his employees under any system of payment by results based on rates which will enable workers of average capacity to earn at least 10 per centum in excess of their weekly rates. Such piece-work rates shall be fixed by the Factory Board consisting of two representatives of any employer, one of his employees and one representative of the employees' Union. If any such Board is unable to agree on any rate or rates proposed by the employer the matter in dispute shall be referred to this Wages Board.

(b) If the employees of any factory or the employees Union fail to appoint representation to any such Board or fail to attend a meeting of such Board called by the employer on a date not less than three days after the service of notice on the State Secretary of the employees Union the employer may adopt piece-work rates which he deems reasonable without the authority of any Factory Board.

(c) Where an employee works part of a full week at piece-work rates and part at time rates he or she shall be paid so much as he or she is entitled to receive under such piece-work rates, plus the proportionate amount which he or she is entitled to receive under this Determination at time rates of pay.

(d) The Union may, during the currency of this determination, apply to this Wages Board for correction or regulation of any piece-work rate, time bonus rate, task rate or any system of payment by results now in operation or hereafter introduced into any workshop controlled by an employer subject to this Determination.

(e) Where an employer has any person working under any system of payment by results referred to in this clause, he shall reduce into writing the terms under which such person is working, and such document shall be signed by such person and the employer. Upon demand by an officer of the Union such document shall be shown to him, and he shall be allowed to make a copy of the same should he so desire. If the Union considers that any such document does not comply with the provisions of this clause, it may refer the question to this Wages Board for determination.

(f) As far as practicable different grades of work shall be equitably divided between employees working under any system of payment by results.

(g) Employees working on any system of payment by results shall be paid at rate and a half when called upon to work overtime outside their ordinary hours of work or beyond 8 hours 48 minutes on any one day or 44 hours in any one week.

(h) Employees working on any system of payment by results waiting on the employer's premises at the employer's request ready and willing to work shall, for each pay period, receive at least the time rate prescribed for their occupation.

(i) Journeymen on piece-work teaching learners (not in the employ of the piece-worker) on piece-work shall be paid 10 per centum of piece-work rates extra whilst so employed.

TIME AND WAGES BOOKS, CARDS, ETC.

13. (a) Each employer shall keep in each factory, workshop, or place where work is carried on by him, some card or check used in connexion with a mechanical clock or a time and wages book showing the name of each employee and his or her occupation, the hours worked each day and the wages and allowances paid each week.

(b) Where a time-book is kept it shall be correctly entered up in ink, and shall be signed each week by the employee verifying the accuracy of the hours worked and the wages and allowances paid each week.

(c) The time occupied by an employee in filling in any time-books or cards or in the making of records shall be treated as time of duty, but this does not apply to checking in or out at the beginning or end of duty.

(d) The time and wages book shall be open for inspection to not more than two officers of the Union duly accredited in writing by the Union during the usual office hours at the employer's office or other convenient place: Provided that an inspection shall not be demanded unless the Secretary of the Union or the district secretary or organizer of any division suspects that a breach of the Determination has been committed: Provided also that only one demand for such inspection shall be made in any one fortnight at the same establishment.

(e) The official making such inspection shall be entitled to take a copy of entries in a time and wages book relating to the suspected breach of the Determination.

RIGHT OF ENTRY OF UNION OFFICIAL.

14. (a) A duly accredited representative of the Union shall have the right to enter employers' workshops during the midday meal hour for the purpose of interviewing employees on legitimate Union business, on the following conditions:—

- (i) that he produces his authority to the gatekeeper or such other person as may be appointed by the employer;
- (ii) that he interviews employees only at the place where they are taking their meal;
- (iii) that not more than one representative in all be in any workshop at any one time;
- (iv) that no one representative visit a workshop more than once in each week; and
- (v) that if any employer alleges that a representative is unduly interfering with his workshop or is creating disaffection amongst his employees or is offensive in his methods or is committing a breach of any of the previous conditions, such employer may refuse the right of entry, but the representative shall have the right to bring such refusal before this Wages Board.

(b) Where a Union official holding the right of entry under this clause suspects that a breach of the Determination is occurring or has occurred he shall be afforded the opportunity to enter the factory during working hours and view the work in question: Provided that during such inspection the official shall not obstruct or interfere with the work in any way or converse with the employees while at work.

PAYMENT FOR WORK ON SUNDAYS AND HOLIDAYS.

- 15. (a) All work performed on Sundays and holidays shall be paid for at the rate of not less than double time.
- (b) An employee called upon to work on a Sunday or holiday shall be paid for a minimum of four hours' duty.

EMPLOYER TO FIND WORKSHOP, ETC.

16. The employer shall find workshops, light, and bench room and supply all materials used in connexion with the trade free of charge to the employees.

CERTIFICATE OF SERVICE.

17. Any junior worker when leaving or being discharged from his or her employment shall be given by the employer a certificate stating the date when such employment began and the date when such employment terminated.

LIMITATION OF EMPLOYER'S LIABILITY.

18. An employee entitled to the benefit of this Determination may at any time within twelve months from any payment by way of wages in accordance with this Determination becoming due to him or her, but not later, sue for the same in any court of competent jurisdiction. Provided that a demand in writing has been made on the employer concerned within three months of the time when the wages or arrears of wages, as the case may be, became due.

OUTDOOR WORK.

19. Except as to erecting marquees and tents, fitting and fixing of blinds, awnings, waggon covers, machinery covers, and other like operations, all work shall be performed at the shop or factory of the employer, and no employer shall give out work to be performed at any other place.

POSTING DETERMINATION AND NOTICES.

20. (a) In each factory in which five or more employees are employed the employer shall provide a notice board in the workroom of each department and the Union shall be permitted to post formal shop and Union notices on such board: Provided that the notices so posted shall be signed by the President, Secretary, or shop steward of the Union.

(b) Every employer shall post and keep posted a copy of the Determination in a place accessible to all employees.

PAYMENT OF WAGES.

- 21. (a) Employers shall pay all moneys due at least once in each week before knock off time, and not later than Thursday in each week.
- (b) Any employee who has worked only a portion of a week and who is dismissed by his employer or has left his employment after the giving of a week's notice shall be paid on ceasing for all time worked during that week less any deductions that the employer may be lawfully entitled to make hereunder.
- (c) Each employer shall be entitled to retain in hand from each employee an amount equal to two days' wages of such employee.

HOLIDAYS.

22. (a) All employees shall be entitled to the holidays hereinafter mentioned or any day observed in lieu thereof without deduction of pay:—New Year's Day, Australia Day, Labour Day, Good Friday, Easter Monday, Anzac Day, King's Birthday, Christmas Day, Boxing Day.

(b) In the Metropolitan District as defined in the Factories and Shops Acts and the Order in Council thereunder, Melbourne Cup Day shall be observed as a holiday in lieu of King's Birthday.

(c) Piece-workers shall be paid for such holidays, even though not worked, at the ordinary rates payable to employees not on piece-work doing the same class of work. The rate shall be one-sixth of the appropriate weekly wage in factories working on six days per week and one-fifth in factories working five days per week.

(d) If an employee's engagement is terminated within two weeks of any of the holidays abovementioned, he or she shall be paid for such holiday or holidays unless he or she commences work with another employer and is paid by such employer for such holiday or holidays.

(e) Where an employee is absent from his or her employment on the working day or part of the working day before or after a holiday without reasonable excuse or without the employer's consent, such employee shall not be entitled to payment for such holiday. The amount to be deducted shall be one-sixth or one-fifth as the case may be of the appropriate weekly wage.

ANNUAL LEAVE.

Period of Leave.

23. (a) Except as hereinafter provided a period of fourteen consecutive days' leave with payment of ordinary wages as prescribed shall be allowed annually to an employee by his employer after a period of twelve months' continuous service with such employer.

Public Holidays Excluded.

(b) (i) Such period of annual leave shall not include holidays as prescribed in clause 22 observed on working days, but shall include all other non-working days.

(ii) If any holiday as prescribed in clause 22 falls within an employee's period of annual leave and is observed on the day which in the case of that employee would have been an ordinary working day, there shall be added to that period one day, being an ordinary working day for each holiday observed as aforesaid.

(iii) Where an employee without reasonable excuse proof whereof shall lie upon him is absent from his employment on the working day or part of the working day prior to the commencement of his annual leave or fails to resume work at his ordinary starting time on the working day immediately following the last day of the period of his annual leave, the employee shall not be entitled to payment for the public holidays which fall within his period of annual leave.

Notice of Leave to be Given.

(c) At least seven days' notice shall be given to an employee as to when he is to commence his leave, and if such notice be withdrawn by an employer, the employee if he postpones his leave, shall be compensated by the employer for any reasonable out of pocket loss occasioned thereby; in the case of dispute to be settled by the Wages Board.

Time When Leave to be Granted.

(d) Annual leave shall be given at a time fixed by the employer within a period not exceeding three months from the date when the right to annual leave accrued and after not less than one week's notice to the employee.

Leave to be Given and Taken.

(e) The annual leave provided for by this clause shall be allowed and shall be taken and except as provided in sub-clause (h) hereof payment shall not be made or accepted in lieu of annual leave.

Payment of Wages.

(f) Each employee before going on leave shall be paid two weeks' wages at ordinary rates for the occupation in which the employee was ordinarily employed immediately prior to the commencement of his leave. Payment in case of employees employed on piece work or bonus work or any other system of payment by results shall be at time rates.

Leave in Advance.

(g) (i) An employer may grant annual leave to an employee before the right thereto has accrued due, but where leave is taken in such a case, a further period of annual leave shall not commence to accrue until the expiration of the twelve months in respect of which annual leave had been taken before it accrued.

(ii) Where leave has been granted to an employee pursuant to sub-clause (g) (i) hereof before the right thereto has accrued due and the employee subsequently leaves or is discharged from the service of the employer before completing the twelve months' continuous service in respect of which the leave was granted, the employer may for each one complete month of the qualifying period of twelve months not served by the employee, deduct from whatever remuneration is payable upon the termination of the employment one-twelfth of the amount of wage paid on account of the annual leave, which amount shall not include any sums paid for any of the holidays prescribed in clause 22 of this Determination. Provided that in cases where such leave is granted at the request of the employee, the employer may when making payment under sub-clause (f) hereof, withhold from the employee a sum equal to one-twelfth for each complete month of the qualifying period not served by the employee at the time of going on such leave and retain such sum until the expiration of such qualifying period.

Proportionate Payment.

(h) Proportionate payment shall be made in respect of each completed month of continuous service in any qualifying twelve-monthly period when an employee lawfully leaves his employment or his employment is terminated by his employer through no fault of the employee.

Calculation of Continuous Service.

(i) (a) Continuity of service shall be deemed to be continuous notwithstanding—

(i) any interruption or termination of the employment by the employer if such interruption or termination has been made with the intention of avoiding obligations hereunder in respect of annual leave;

(ii) any absence from work of not more than fourteen days in the twelve months on account of sickness or accident (proof whereof shall be on the employee);

(iii) any absence on account of leave granted imposed or agreed to by the employer;

(iv) any absence due to reasonable cause (including absences on account of sickness or accident of more than fourteen days) (proof whereof shall be on the employee).

Provided that in cases of personal sickness or accident or absence with reasonable cause the employee to become entitled to the benefit of this sub-clause shall if practicable inform the employer in writing within 24 hours after the commencement of such absence of his inability to attend for duty and as far as practicable the nature of the illness injury or cause, and the estimated duration of his absence.

(b) In calculating a period of twelve months' continuous service—

(i) (1) any annual leave taken therein;

(2) any absences of the kind mentioned in (i) and (ii) of paragraph (a) above shall be counted as part of such period;

(ii) in respect of absences of the kind mentioned in (iii) and (iv) of paragraph (a) above, the employee shall serve such additional period as part of his qualification for annual leave as will equal the period of such absences;

(iii) (1) where an employee is absent from work for any cause whatsoever the employer shall, if so requested by the employee, notify the employee within fourteen days of the receipt of such request whether the employer regards such absence as breaking either conditionally or unconditionally the continuity of service of such employee. If the employee does not make such request within seven days of his return to work after any such absence, such absence shall be deemed to have broken such continuity. If the employer does not give such notice within the said fourteen days, such absence shall not be deemed to be such a break.

The employee shall make such request in writing and shall deliver same to the employer's office at the factory where he is employed, or if there be no such office, to the manager of such factory or in his absence to the employer's foreman.

The employer shall give the notification to the employee by having the same delivered to such employee personally in writing;

(2) where an employee has been absent from his employment, and the employer has notified him that such absence is regarded as a break in the continuity of service, the employee may within fourteen days of such notification from the employer, appeal to the Wages Board against such notification of the employer.

Calculation of Month.

(j) For the purpose of this clause a month shall be reckoned as commencing with the beginning of the first day of the employment or period of employment in question and as ending at the beginning of the day which in the latest month in question has the same date number as that which the commencing day had in its month and if there be no such day in such subsequent month shall be reckoned as ending at the end of such subsequent month.

Successor or Assignee or Transmittee.

(k) Where the employer is a successor or assignee or transmittee of a business if an employee was in the employment of the employer's predecessor at the time when he became such successor or assignee or transmittee the employee in respect of the period during which he was in the service of the predecessor shall for the purpose of this clause be deemed to be in the service of the employer.

Annual Close Down.

(l) Where an employer closes down his plant, or a section or sections thereof, for the purpose of allowing annual leave to all or the bulk of the employees in the plant, or section or sections the following provisions shall apply:—

(i) He may by giving to the employees concerned not less than one month's notice of his intention so to do, stand off for the duration of the close down all employees in the plant or section or sections concerned, and allow to those who are not then qualified for two full weeks' leave paid leave on a proportionate basis of one-sixth of a week's leave for each completed month of continuous service.

(ii) An employee who has then qualified for two full weeks' leave, and has also completed a further month or more of continuous service shall be allowed his leave, and shall also be paid one-sixth of a week's wages in respect of each completed month of continuous service performed since the close of his last twelve-monthly qualifying period.

(iii) The next twelve-monthly qualifying period for each employee affected by such close down shall commence from the day on which the plant, or section or sections concerned, is reopened for work.

(iv) If in the first year of his service with an employer an employee is allowed proportionate annual leave under paragraph (i) hereof, and subsequently within such year lawfully leaves his employment or his employment is terminated by the employer through no fault of the employee, he shall be entitled to the benefit of sub-clause (k) of this clause, subject to adjustment for any proportionate leave which he may have been allowed as aforesaid.

Disputes.

(m) Any dispute as to the rights of an employee to or with respect to annual leave shall be dealt with by the Wages Board.

Operation.

(n) Service before the 1st January, 1946, shall be taken into consideration for the purpose of calculating annual leave but an employee shall not be entitled to leave or payment in lieu thereof for any period in respect of which leave or a payment in lieu thereof has been allowed or made under the clause hereby revoked.

CONTRACT OF EMPLOYMENT.

24. (a) Employment shall be terminable on either side by a week's notice given at any time during the week or if terminated without notice by payment or forfeiture of a week's wages as the case may be.

(b) This shall not affect the right of the employer to dismiss any employee without notice for malingering, inefficiency, neglect of duty or misconduct, and in such cases wages shall be paid up to the time of dismissal only: Provided that the employer may deduct payment for any day or part thereof on which an employee cannot be usefully employed because of stoppage of work by an organization or groups of employees or through any breakdown of machinery or any stoppage of work by any cause for which the employer cannot reasonably be held responsible.

(c) An employee absent through illness or accident shall not be entitled in any year (whether in the employ of one employer or several) to leave in excess of 44 hours of working time. For this purpose, a year shall commence on the 15th day of October.

An employee before becoming entitled to sick pay shall if required to do so by the employer produce a doctor's certificate or other sufficient evidence of sickness.

An employee shall not be entitled to sick leave unless he has been in the service of the employer concerned for at least four weeks immediately prior to such absence.

(d) Casual employees, that is employees for whom a full week's work is not provided, may be employed and shall be paid 10 per centum in addition to the total wages prescribed for their occupation.

TRAVELLING TIME.

25. Any employee sent to work at a place other than his or her ordinary place of employment shall be paid all fares and out of pocket expenses incurred in going to or from such place of employment, and shall, if the travelling is done outside ordinary hours, be paid at ordinary rates for the time spent in travelling with a maximum of eight hours per day.

REST PERIOD.

26. A rest period of ten minutes shall be given to all female employees between the hours of 9.30 a.m. and 11.30 a.m. The interval shall be counted as time of duty without deduction of pay. During such period the employees may leave their seats but not the premises.

REST ROOM.

27. In factories where ten or more female employees are employed, a properly ventilated rest room shall be provided for the use of such female employees where reasonably practicable. It shall contain a suitable couch and seating accommodation.

DINING ACCOMMODATION.

28. (a) In factories where five or more employees are employed, and it is or becomes reasonably practicable so to do, a separate room or portion of the factory or workshop shall be set aside by the employer as a dining-room and therein the employer shall provide adequate table and seating accommodation.

(b) Hot water shall be provided free of charge, to be available to employees immediately meal time commences.

(c) The employer shall provide the necessary labour to keep such room clean.

(d) If such dining room is not regularly used by a reasonable number of the employees, the employer shall be released from his obligations under sub-clauses (a) and (b) hereof.

FIRST-AID OUTFIT.

29. (a) The employer shall provide and continuously maintain an efficient first-aid outfit in each factory controlled by him.

(b) An efficient first-aid outfit shall be that prescribed by the Factories and Shops Acts and the Regulations thereunder, but in cases where there is no legislation on the subject, the first-aid outfit shall contain the following equipment:—

Article.	Quantities to be kept in Ambulance Chest.	
	Factories and workshops in which not more than 30 persons are employed.	Factories and workshops in which more than 30 persons are employed.
Antiseptic solution	1 bottle	1 bottle
Bandages, cotton and gauze	½ dozen assorted sizes	½ dozen assorted sizes
Iodine, tincture	1 oz.	2 oz.
Castor oil	1 oz.	2 oz.
Manual, first-aid.		
Petrolatum, carbolised	1 jar	1 jar
Picric acid solution, made according to the following recipe or prescription:— 1½ teaspoonful of powdered picric acid; 3 oz. absolute alcohol; 2 pints distilled water.		
Pins, safety	1 packet	1 packet
Sal volatile	1 oz.	6 oz.
Scissors	1 pair	1 pair
Tourniquet	1	1
Cotton, absorbent		
Gauze, sterilized and plain		
Lint, absorbent		
Plaster, adhesive		
	An adequate assortment	An adequate assortment

UNION BUSINESS.

30. Officers or members of the Union or any branch thereof may leave their work to attend to the business of the Union after at least three days' notice has been given to the employer, but without being paid while absent.

PERIODICAL ADJUSTMENT OF WAGES.

31. The wages rates set out for males in clause 2 are based upon the following basic wage rates, and, pursuant to the provisions of Section 21 of the Factories and Shops Act 1934, the Board determines that such rates shall be automatically adjusted as prescribed by clause 32.

Basic Wage.

Needs Basic Wage (Adjustable on Capital Cities Index Number).	Needs Basic Wage (Adjustable).	Loading (Constant).	War-Time Loading.	Total Basic Wage.
	Per Week. £ s. d.	Per Week. £ s. d.	Per Week. £ s. d.	Per Week. £ s. d.
Four capitals (excluding Perth and Adelaide)	5 2 0	0 5 0	0 4 0	5 11 0

ADJUSTMENT OF BASIC WAGE.

32. (a) For the purposes of this Determination, the expression "Commonwealth Statistician's 'all items' retail price index numbers" or any like expression means the numbers stated to be such index numbers in any document purporting, and not proved to be wrongly so purporting, to be printed by the Commonwealth Government Printer or to be signed by or on behalf of the Commonwealth Statistician.

(b) Until the beginning of the first pay period to commence in August, 1947, the amounts of the Basic Wage shall be as prescribed in clause 31.

(c) During each future successive period beginning with the first pay period to commence in an August, a November, a February, or a May, the amount of the needs basic wage shall be adjusted by the following method, namely, by multiplying the last published Commonwealth Statistician's "all items" retail price index number by the factor .987 taken to one place of decimals, the resultant whole number being the amount of the basic wage expressed in shillings, but should the decimal number reach .5 or more the basic wage shall be taken to the next higher shilling.

In all cases where for the same class of work the same rates have been prescribed for journeywomen as are prescribed for journeymen, the rates for such journeywomen shall be increased or decreased in the same manner and by the same amount as the rates for journeymen.

The rates for all other adult female employees shall, at the same time, be adjusted so as to be 54 per cent. of the needs basic wage (calculated to the nearest 3d.) plus 50 per cent. of the male loading payable from time to time to adult male employees, plus a margin of 8s. 6d.

The rates for piece-workers shall at the same time be increased or decreased in the same proportion as the weekly rates for the same class of work.

P. A. RANGLES, J.P., Chairman.

J. V. WILLOX, Secretary.

Melbourne, 29th May, 1947.



VICTORIA GOVERNMENT GAZETTE.

Published by Authority.

[Registered at the General Post Office, Melbourne, for transmission by post as a newspaper.]

No. 310]

TUESDAY, JULY 8.

[1947

Factories and Shops Acts.

DETERMINATION OF THE LEATHER-GOODS BOARD.

NOTE.—This Determination applies to the whole of the State of Victoria.

IN accordance with the provisions of the Factories and Shops Acts the Wages Board appointed to determine the lowest prices or rates which may be paid to any person or persons or classes of persons (other than persons subject to the Determination of any Wages Board heretofore appointed) employed in the trade of—

(a) manufacturing or repairing—

- (1) leather or fabric gloves;
- (2) ladies' evening bags;
- (3) articles made wholly or partly of leather or a substitute for leather including bags, braces, cases, cricket balls, pads or other sporting goods, garters, pocket book covers, portmanteaux, purses, trunks, wallets, travel goods, suit and attache cases;
- (4) machine belting of all descriptions;
- (5) any other kind of leather goods;

(b) covering or lining with leather or a substitute for leather spectacle cases, portable gramophones, wireless cabinets, travellers' sample cases, music cases, surgical cases, or similar goods—

has made the following Determination, namely:—

1. That as from the beginning of the first pay period to commence in May, 1947, the last previous Determination of this Board, shall be revoked and replaced by this Determination.

2. WAGES PER WEEK OF 44 HOURS.

	Adjustable Weekly Wage.	Non-Adjustable.		Total Wage.
		Loading* Constant.	War-time* Loading.	
Journeyman engaged in the manufacture or repair of machine belting ..	£ s. d. 5 18 0	s. d. 5 0	s. d. 4 0	£ s. d. 6 7 0
All other Journeymen	6 4 0	5 0	4 0	6 13 0
Journeywomen	3 3 6	2 6	2 0	3 8 0

* These loadings shall not be subject to adjustment pursuant to cost of living fluctuations and shall not be taken into account in the calculation of overtime or other penalty rates prescribed by this Determination.

FEMALES TO BE PAID MALE RATE.

3. Where a female is employed to do any of the following classes of work she shall be paid the rate which is prescribed for adult males:—

- Wholly or partly making gladstone bags except lining out or making doors or handles.
- Wholly or partly making leather cases exceeding twelve inches in length (except music cases) and also excluding brief cases, document cases, writing cases, folio cases and vanity cases unless stiffened on the suit case principle.
- Wholly or partly making bullion bags.
- Wholly or partly making trunks (except lining out trunks other than leather).
- Wholly or partly making hat boxes of leather.
- Wholly or partly making instrument cases.
- Wholly or partly making canvas except lining out.
- Hand stitching cricket, punching, or medicine balls, footballs, and similar sporting balls and/or pigskin leggings.
- Framing up or riveting by hand or machine ladies' handbags or purses.
- Machine stitching closed edges of trunks or cases and machining any article enumerated in these sub-clauses where the thread passes through heated wax.
- Wholly or partly making fibre cases and/or cases of a fibre substitute over thirteen inches in length (except lining out, making handles, varnishing and bending by hand cases which have been machine scored).
- Cutting and/or clicking all classes of work.

APPRENTICES—MALES.

4. (a) The probationary period of trainee apprentices or apprentices shall not exceed three months.
 (b) The minimum rates of wage to be paid to apprentices or probationers shall be not less than the following :—

	Weekly Wage.	Non-Adjustable.		Total Wage.
		Loading* Constant.	War-Time* Loading.	
	s. d.	s. d.	s. d.	s. d.
Five year terms—				
First year's experience	21 6	0 6	0 6	22 6
Second year's experience	29 0	1 0	1 0	31 0
Third year's experience	37 9	1 6	1 6	40 9
Fourth year's experience	58 0	2 0	2 0	62 0
Fifth year's experience	75 3	2 0	2 0	79 3
Four year terms—				
First year's experience	23 0	0 6	0 6	24 0
Second year's experience	37 9	1 0	1 0	39 9
Third year's experience	58 0	2 0	2 0	62 0
Fourth year's experience	75 3	2 0	2 0	79 3

* Note:—These loadings shall not be subject to adjustment pursuant to cost of living fluctuations and shall not be taken into account in the calculation of overtime and other penalty rates prescribed by this determination.

(c) Experience in this clause means actual experience whether as an apprentice or otherwise, in any one or more of the operations provided as apprenticeship operations.

(d) Except as otherwise provided minors may be engaged in the following occupations under contracts of apprenticeship or trainee apprenticeship framed in conformity with this Determination :—

- Cutting or clicking ;
- Trunks, leather bag and case maker ;
- Fibre, veneer, canvas or other case maker ;
- Machine belt maker ;
- Sporting goods maker of leather ;
- Ladies' hand bag, wallet and purse maker ;
- Leather goods maker ;
- Glove maker (other than sporting goods) ;
- Leather coats, hats or caps maker ;
- Braces and suspenders maker ;
- Machining.

(e) The period of apprenticeship shall not exceed four or five years, including any period of experience in the occupation to which the minor is being apprenticed prior to entering into the indenture of apprenticeship.

(f) An employer especially qualified to teach apprentices may, with the consent of this Wages Board, employ a greater proportion of apprentices to tradesmen than herein specified.

(g) Until further order any contract of apprenticeship may contain the following provision :—

If through lack of orders or through financial difficulties the employer is unable at any time to find employment and training for an apprentice, and if a transfer to another employer cannot be arranged, the obligations and duties imposed by the indenture may with the concurrence of the apprentice and his guardian be suspended for a period agreed upon or if no such agreement is arrived at may be cancelled by the employer. The onus of proof of circumstances justifying such cancellation shall be on the employer.

(h) Any apprentice who cannot complete his full term of apprenticeship before reaching his twenty-second birthday may by agreement with his master serve as an apprentice until he reaches the age of twenty-three years.

(i) All wages shall be paid without deduction for specified holidays or for unavoidable absences through sickness to the number of four days per annum.

(j) The apprentice at the end of the calendar period of any year in which he has actually given service to the master upon less than the ordinary working days prescribed in this Determination, or in which he has unlawfully absented himself without the master's consent shall, for every day short of the said number of working days, and for every day of such absence, serve one day, and the calendar period of the succeeding year of his service shall not be deemed to begin until the said additional day or days shall have been served.

(k) The ordinary hours of employment of apprentices shall be the same in each workshop as those of journeymen.

(l) An apprentice under the age of eighteen years shall not be liable to work overtime unless he so desires.

(m) An apprentice shall not work under any system of payment by results.

(n) An employer shall not, either directly or indirectly, or by any pretence or device receive from any person or require or permit any person to pay or give any consideration in the nature of a premium or bonus for the taking or binding of any probationer or apprentice.

JUNIOR WORKERS—MALES.

5. (a) Junior workers may be employed at the following rates of pay :—

Age.	Weekly Wage.	Non-Adjustable.		Total Wage.
		Loading* Constant.	War-Time* Loading.	
	s. d.	s. d.	s. d.	s. d.
Under 16 years of age	21 6	0 6	0 6	22 6
16 and under 17 years of age	29 0	1 0	1 0	31 0
17 and under 18 years of age	37 9	1 6	1 6	40 9
18 and under 19 years of age	58 0	2 0	2 0	62 0
19 and under 20 years of age	75 3	2 0	2 0	79 3
20 and under 21 years of age	92 0	2 0	2 0	96 0

* These loadings shall not be taken into account in the calculation of overtime or other penalty rates prescribed by this Determination.

- (b) The proportion of Junior Workers and apprentices allowed shall be :—

Male Employee receiving at least Adult Male Basic Wage.	Junior Workers including Apprentices.
1	1
2 to 20	1 for every 2 such male employees
Over 20	A further 1 for every 3 such male employees over 20

In computing the proportion under this sub-clause the number of such male employees employed for the whole of the previous six months shall be taken.

Notwithstanding anything contained herein employers engaged in the manufacture of laminated belting may employ in the exclusive manufacture of such belting three male juniors to each adult male employee employed in the manufacture of laminated belts.

JUNIOR WORKERS—FEMALES.

6. (a) Female junior workers may be employed at the following rates of pay:—

Experience.	Weekly Wage.	Non-Adjustable.		Total Wage.
		Loading* Constant.	War-Time* Loading.	
First year's experience	s. d. 20 9	s. d. 0 6	s. d. 0 6	s. d. 21 9
Second year's experience	27 9	1 0	1 0	29 9
Third year's experience	34 9	1 0	1 0	36 9
Fourth year's experience	45 0	1 6	1 6	48 0
And thereafter the minimum wage prescribed for females for the class of work which they are doing.				

* These loadings shall not be taken into account in the calculation of overtime or other penalty rates prescribed by this Determination.

(b) For the purposes of this clause "experience" shall mean any form of employment in this industry.

(c) Juniors employed under this clause shall on dismissal receive from their employer a certificate of the period of employment completed. Employers who wilfully employ juniors without taking into account previous experience shall be guilty of a breach of this Determination.

(d) The proportion of female apprentices and junior workers shall not exceed two to one adult female receiving the minimum wage.

DEFINITIONS.

7. (a) "Journeyman" shall mean a male employee 21 years of age or over, other than apprentices, provided that the rates prescribed for juniors between 19 and 21 years of age in clause 5 hereof shall operate until the junior has reached the age of 21 years.

(b) "Journeywoman" shall mean a female employee 21 years of age or over, or one who has worked four years or more on any work for which the adult rate is prescribed.

(c) "Union" shall mean the Australian Saddlery Leather Sail Canvas Tanning Leather Dressing and Allied Workers Trades Employees Federation.

HOURS.

8. (a) 44 hours shall constitute a week's work.

(b) The regular hours of work shall not be earlier than 7 a.m. and not later than 6 p.m. on five days of the week and not earlier than 7 a.m. and not later than noon on Saturday or other day in which a half-holiday is kept.

(c) Not more than 8 hours 48 minutes (except if paid for at overtime rates) shall be worked in any one day in each week.

MIXED FUNCTIONS.

9. An employee engaged for more than half of one day or shift on duties carrying a higher rate than his ordinary classification shall be paid the higher rate for such day or shift. If for less than half of one day or shift, he shall be paid the higher rate for the time so worked.

MEAL TIME.

10. (a) Employees shall be allowed one meal break of not less than 30 minutes, such meal break to commence not later than 1 p.m.

(b) Meal intervals having been fixed shall not be altered except on seven days' notice to a shop steward employed in the factory, and where there is no shop steward, on notice to the secretary of the local branch of the Union.

(c) Any employee called upon to work during a meal hour shall be paid time and a half, and such time and a half shall continue until he or she has had a meal break.

OVERTIME.

11. (a) All time worked on any day before or after the regular working hours or in excess of 8 hours 48 minutes on any one day, or in excess of 44 hours in any one week, shall be paid for at the rate of time and a half for the first four hours and double time thereafter.

(b) In computing overtime each day's work shall stand alone.

(c) Any employees required to work overtime for more than two hours in any one day without being notified the day before that they will be so required to work, shall either be supplied with a meal by the employer or paid 2s. but such payment need not be made to employees living in the same locality as their workshop who can reasonably return home for meals.

(d) If any employee pursuant to notice under the preceding sub-clause has provided a meal and is not required to work overtime he or she shall be paid 2s. for the meal so provided.

(e) No junior male worker (under the age of 16 years) or any female employee shall work overtime after 9 p.m.

PIECEWORK.

12. (a) Subject to the employee receiving at least the minimum time rate an employer may remunerate, in respect of callings in which employees now work under a system of payment by results, any of his employees under any system of payment by results based on rates which will enable workers of average capacity to earn at least 10 per centum in excess of their weekly rates. Such piecework rates shall be fixed by the Factory Board consisting of two representatives of any employer, one of his employees and one representative of the employees Union. If any such Board is unable to agree on any rate or rates proposed by the employer, the matter in dispute shall be referred to this Wages Board.

(b) If the employees of any factory or the employees Union fail to appoint representation to any such Board or fail to attend a meeting of such Board called by the employer on a date not less than three days after the service of notice on the State secretary of the employees Union the employer may adopt piece-work rates which he deems reasonable without the authority of any Factory Board.

(c) Where an employee works part of a full week at piece-work rates and part at time rates he or she shall be paid so much as he or she is entitled to receive under such piece-work rates, plus the proportionate amount which he or she is entitled to receive under this Determination at time rates of pay.

(d) The Union may, during the currency of this Determination, apply to this Wages Board for correction or regulation of any piece-work rate, time bonus rate, task rate or any system of payment by results now in operation or hereafter introduced into any workshop controlled by an employer subject to this Determination.

(e) Where an employer has any person working under any system of payment by results referred to in this clause, he shall reduce into writing the terms under which such person is working and such document shall be signed by such person and the employer. Upon demand by an officer of the Union such document shall be shown to him, and he shall be allowed to make a copy of the same should he so desire. If the Union considers that any such document does not comply with the provisions of this clause, it may refer the question to this Wages Board for determination.

(f) As far as practicable different grades of work shall be equitably divided between employees working under any system of payment by results.

(g) Employees working in any system of payment by results shall be paid at rate and a half when called upon to work overtime outside their ordinary hours of work or beyond 8 hours 48 minutes on any one day or 44 hours in any one week.

(h) Employees working on any system of payment by results waiting on the employer's premises at the employer's request ready and willing to work shall, for each pay period, receive at least the time rate prescribed for their occupation.

(i) Journeymen on piece-work teaching learners (not in the employ of the piece-worker) on piece-work shall be paid 10 per centum of piece-work rates extra whilst so employed.

TIME AND WAGES BOOKS, CARDS, ETC.

13. (a) Each employer shall keep in each factory, workshop or place where work is carried on by him, some card or check used in connexion with a mechanical clock or a time and wages book showing the name of each employee and his or her occupation, the hours worked each day and the wages and allowances paid each week.

(b) Where a time book is kept it shall be correctly entered up in ink, and shall be signed each week by the employee verifying the accuracy of the hours worked and the wages and allowances paid each week.

(c) The time occupied by an employee in filling in any time books or cards or in the making of records shall be treated as time of duty, but this does not apply to checking in or out at the beginning or end of duty.

(d) The time and wages book shall be open for inspection to not more than two officers of the Union duly accredited in writing by the Union during the usual office hours at the employer's office or other convenient place. Provided that an inspection shall not be demanded unless the secretary of the Union or the district secretary or organizer of any division suspects that a breach of the Determination has been committed. Provided also that only one demand for such inspection shall be made in any one fortnight at the same establishment.

(e) The official making such inspection shall be entitled to take a copy of entries in a time and wages book relating to the suspected breach of the Determination.

RIGHT OF ENTRY OF UNION OFFICIAL.

14. (a) A duly accredited representative of the Union shall have the right to enter employers' workshops during the midday meal hour for the purpose of interviewing employees on legitimate Union business, on the following conditions:—

(i) that he produces his authority to the gatekeeper or such other person as may be appointed by the employer;

(ii) that he interviews employees only at the place where they are taking their meal;

(iii) that not more than one representative in all be in any workshop at any one time;

(iv) that no one representative visit a workshop more than once in each week; and

(v) that if any employer alleges that a representative is unduly interfering with his workshop or is creating disaffection amongst his employees or is offensive in his methods or is committing a breach of any of the previous conditions such employer may refuse the right of entry but the representative shall have the right to bring such refusal before this Wages Board.

(b) Where a Union official holding the right of entry under this clause suspects that a breach of the Determination is occurring or has occurred he shall be afforded the opportunity to enter the factory during working hours and view the work in question: Provided that during such inspection the official shall not obstruct or interfere with the work in any way or converse with the employees while at work.

PAYMENT FOR WORK ON SUNDAYS AND HOLIDAYS.

15. (a) All work performed on Sundays and holidays shall be paid for at the rate of not less than double time.

(b) An employee called upon to work on a Sunday or holiday shall be paid for a minimum of four hours' duty.

EMPLOYER TO FIND WORKSHOP, ETC.

16. The employer shall find workshops, light and bench room and supply all materials used in connexion with the trade free of charge to the employees.

OUTDOOR WORK.

17. Except as to work in the machine belting trade all work shall be performed at the shop or factory of the employer and no employer shall give out work to be performed at any other place.

CERTIFICATE OF SERVICE.

18. Any junior worker when leaving or being discharged from his or her employment shall be given by the employer a certificate stating the date when such employment began and the date when such employment terminated.

LIMITATION OF EMPLOYERS LIABILITY.

19. An employee entitled to the benefit of this Determination may at any time within twelve months from any payment by way of wages in accordance with this Determination becoming due to him or her but not later, sue for the same in any Court of competent jurisdiction provided that a demand in writing has been made on the employer concerned within three months of the time when the wages or arrears of wages, as the case may be, became due.

POSTING DETERMINATION AND NOTICES.

20. (a) In each factory in which five or more employees are employed, the employer shall provide a notice board in the workroom of each department and the Union shall be permitted to post formal shop and union notices on such board: Provided that the notices so posted shall be signed by the President, Secretary or Shop Steward of the Union.

(b) Every employer shall post and keep posted a copy of the Determination in a place accessible to all employees.

PAYMENT OF WAGES.

21. (a) Employers shall pay all moneys due at least once in each week before knock-off time, and not later than Thursday in each week.

(b) Any employee who has worked only a portion of a week and who is dismissed by his employer or has left his employment after the giving of a week's notice shall be paid on ceasing for all time worked during that week less any deductions that the employer may be lawfully entitled to make hereunder.

(c) Each employer shall be entitled to retain in hand from each employee an amount equal to two days' wages of such employee.

HOLIDAYS.

22. (a) All employees shall be entitled to the holidays hereinafter mentioned or any day observed in lieu thereof without deduction of pay:—New Year's Day, Australia Day, Labour Day, Good Friday, Easter Monday, Anzac Day, King's Birthday, Christmas Day, Boxing Day.

(b) In the Metropolitan District, as defined in the Factories and Shops Acts and the Order in Council thereunder, Melbourne Cup Day shall be observed as a holiday in lieu of King's Birthday.

(c) Piece-workers shall be paid for such holidays even though not worked at the ordinary rates payable to employees not on piece-work doing the same class of work. The rate shall be one-sixth of the appropriate weekly wage in factories working on six days per week and one-fifth in factories working five days per week.

(d) If an employee's engagement is terminated within two weeks of any of the holidays abovementioned, he or she shall be paid for such holiday or holidays unless he or she commences work with another employer and is paid by such employer for such holiday or holidays.

(e) Where an employee is absent from his or her employment on the working day or part of the working day before or after a holiday without reasonable excuse or without the employer's consent, such employee shall not be entitled to payment for such holiday. The amount to be deducted shall be one-sixth or one-fifth as the case may be of the appropriate weekly wage.

ANNUAL LEAVE.

Period of Leave.

23. (a) Except as hereinafter provided a period of fourteen consecutive days' leave with payment of ordinary wages as prescribed shall be allowed annually to an employee by his employer after a period of twelve months' continuous service with such employer.

Public Holidays Excluded.

(b) (i) Such period of annual leave shall not include holidays as prescribed in clause 22 observed on working days, but shall include all other non-working days.

(ii) If any holiday as prescribed in clause 22 falls within an employee's period of annual leave and is observed on the day which in the case of that employee would have been an ordinary working day, there shall be added to that period one day, being an ordinary working day for each holiday observed as aforesaid.

(iii) Where an employee without reasonable excuse proof whereof shall lie upon him is absent from his employment on the working day or part of the working day prior to the commencement of his annual leave or fails to resume work at his ordinary starting time on the working day immediately following the last day of the period of his annual leave, the employee shall not be entitled to payment for the public holidays which fall within his period of annual leave.

Notice of Leave to be Given.

(c) At least seven days' notice shall be given to an employee as to when he is to commence his leave, and if such notice be withdrawn by an employer, the employee if he postpones his leave, shall be compensated by the employer for any reasonable out of pocket loss occasioned thereby; in the case of dispute to be settled by the Wages Board.

Time When Leave to be Granted.

(d) Annual leave shall be given at a time fixed by the employer within a period not exceeding three months from the date when the right to annual leave accrued and after not less than one week's notice to the employee.

Leave to be Given and Taken.

(e) The annual leave provided for by this clause shall be allowed and shall be taken and except as provided in sub-clause (b) hereof payment shall not be made or accepted in lieu of annual leave.

Payment of Wages.

(f) Each employee before going on leave shall be paid two weeks' wages at ordinary rates for the occupation in which the employee was ordinarily employed immediately prior to the commencement of his leave. Payment in case of employees employed on piece work or bonus work or any other system of payment by results shall be at time rates.

Leave in Advance.

(g) (i) An employer may grant annual leave to an employee before the right thereto has accrued due, but where leave is taken in such a case, a further period of annual leave shall not commence to accrue until the expiration of the twelve months in respect of which annual leave had been taken before it accrued.

(ii) Where leave has been granted to an employee pursuant to sub-clause (g) (i) hereof before the right thereto has accrued due and the employee subsequently leaves or is discharged from the service of the employer before completing the twelve months' continuous service in respect of which the leave was granted, the employer may for each one complete month of the qualifying period of twelve months not served by the employee, deduct from whatever remuneration is payable upon the termination of the employment one-twelfth of the amount of wage paid on account of the annual leave, which amount shall not include any sums paid for any of the holidays prescribed in clause 22 of this Determination. Provided that in cases where such leave is granted at the request of the employee, the employer may when making payment under sub-clause (f) hereof, withhold from the employee a sum equal to one-twelfth for each complete month of the qualifying period not served by the employee at the time of going on such leave and retain such sum until the expiration of such qualifying period.

Proportionate Payment.

(h) Proportionate payment shall be made in respect of each completed month of continuous service in any qualifying twelve-monthly period when an employee lawfully leaves his employment or his employment is terminated by his employer through no fault of the employee.

Calculation of Continuous Service.

(i) (a) Continuity of service shall be deemed to be continuous notwithstanding—

- (i) any interruption or termination of the employment by the employer if such interruption or termination has been made with the intention of avoiding obligations hereunder in respect of annual leave;
- (ii) any absence from work of not more than fourteen days in the twelve months on account of sickness or accident (proof whereof shall be on the employee);
- (iii) any absence on account of leave granted imposed or agreed to by the employer;
- (iv) any absence due to reasonable cause (including absences on account of sickness or accident of more than fourteen days) (proof whereof shall be on the employee).

Provided that in cases of personal sickness or accident or absence with reasonable cause the employee to become entitled to the benefit of this sub-clause shall if practicable inform the employer in writing within 24 hours after the commencement of such absence of his inability to attend for duty and as far as practicable the nature of the illness injury or cause, and the estimated duration of his absence.

*(b) In calculating a period of twelve months' continuous service—**(i) (1) any annual leave taken therein ;**(2) any absences of the kind mentioned in (i) and (ii) of paragraph (a) above shall be counted as part of such period ;**(ii) in respect of absences of the kind mentioned in (iii) and (iv) of paragraph (a) above, the employee shall serve such additional period as part of his qualification for annual leave as will equal the period of such absences ;**(iii) (1) where an employee is absent from work for any cause whatsoever the employer shall, if so requested by the employee, notify the employee within fourteen days of the receipt of such request whether the employer regards such absence as breaking either conditionally or unconditionally the continuity of service of such employee. If the employee does not make such request within seven days of his return to work after any such absence, such absence shall be deemed to have broken such continuity. If the employer does not give such notice within the said fourteen days, such absence shall not be deemed to be such a break.**The employee shall make such request in writing and shall deliver same to the employer's office at the factory where he is employed, or if there be no such office, to the manager of such factory or in his absence to the employee's foreman.**The employer shall give the notification to the employee by having the same delivered to such employee personally in writing ;**(2) where an employee has been absent from his employment, and the employer has notified him that such absence is regarded as a break in the continuity of service, the employee may within fourteen days of such notification from the employer, appeal to the Wages Board against such notification of the employer.**Calculation of Month.**(j) For the purpose of this clause a month shall be reckoned as commencing with the beginning of the first day of the employment or period of employment in question and as ending at the beginning of the day which in the latest month in question has the same date number as that which the commencing day had in its month and if there be no such day in such subsequent month shall be reckoned as ending at the end of such subsequent month.**Successor or Assignee or Transmittor.**(k) Where the employer is a successor or assignee or transmittor of a business if an employee was in the employment of the employer's predecessor at the time when he became such successor or assignee or transmittor the employee in respect of the period during which he was in the service of the predecessor shall for the purpose of this clause be deemed to be in the service of the employer.**Annual Close Down.**(l) Where an employer closes down his plant, or a section or sections thereof, for the purpose of allowing annual leave to all or the bulk of the employees in the plant, or section or sections the following provisions shall apply :—**(i) He may by giving to the employees concerned not less than one month's notice of his intention so to do, stand off for the duration of the close down all employees in the plant or section or sections concerned, and allow to those who are not then qualified for two full weeks' leave paid leave on a proportionate basis of one-sixth of a week's leave for each completed month of continuous service.**(ii) An employee who has then qualified for two full weeks' leave, and has also completed a further month or more of continuous service shall be allowed his leave, and shall also be paid one-sixth of a week's wages in respect of each completed month of continuous service performed since the close of his last twelve-monthly qualifying period.**(iii) The next twelve-monthly qualifying period for each employee affected by such close down shall commence from the day on which the plant, or section or sections concerned, is reopened for work.**(iv) If in the first year of his service with an employer an employee is allowed proportionate annual leave under paragraph (i) hereof, and subsequently within such year lawfully leaves his employment or his employment is terminated by the employer through no fault of the employee, he shall be entitled to the benefit of sub-clause (h) of this clause, subject to adjustment for any proportionate leave which he may have been allowed as aforesaid.**Disputes.**(m) Any dispute as to the rights of an employee to or with respect to annual leave shall be dealt with by the Wages Board.**Operation.**(n) Service before the 1st January, 1946, shall be taken into consideration for the purpose of calculating annual leave but an employee shall not be entitled to leave or payment in lieu thereof for any period in respect of which leave or a payment in lieu thereof has been allowed or made under the clause hereby revoked.***CONTRACT OF EMPLOYMENT.****24. (a)** Employment shall be terminable on either side by a week's notice given at any time during the week or if terminated without notice by payment or forfeiture of a week's wages as the case may be.**(b)** This shall not affect the right of the employer to dismiss any employee without notice for malingering, inefficiency, neglect of duty or misconduct, and in such cases, wages shall be paid up to the time of dismissal only. Provided that the employer may deduct payment for any day or part thereof on which an employee cannot be usefully employed because of stoppage of work by an organization or groups of employees or through any breakdown of machinery or any stoppage of work by any cause for which the employer cannot reasonably be held responsible.**(c)** An employee absent through illness or accident shall not be entitled in any year (whether in the employ of one employer or several) to leave in excess of 44 hours of working time. For this purpose a year shall commence on the 15th day of October.

An employee before becoming entitled to sick pay shall if required, to do so by the employer, produce a doctor's certificate or other sufficient evidence of sickness.

An employee shall not be entitled to sick leave unless he has been in the service of the employer concerned for at least four weeks immediately prior to such absence.

(d) Casual employees, that is employees for whom a full week's work is not provided may be employed and shall be paid 10 per centum in addition to the total wages prescribed for their occupation.**TRAVELLING TIME.****25.** Any employee sent to work at a place other than his or her ordinary place of employment shall be paid all fares and out of pocket expenses incurred in going to or from such place of employment, and shall, if the travelling is done outside ordinary hours, be paid at ordinary rates for the time spent in travelling with a maximum of eight hours per day.**REST PERIOD.****26.** A rest period of ten minutes shall be given to all female employees between the hours of 9.30 a.m. and 11.30 a.m. The interval shall be counted as time of duty without deduction of pay. During such period the employees may leave their seats but not the premises.

REST ROOM.

27. In factories where ten or more female employees are employed, a properly ventilated rest room shall be provided for the use of such female employees where reasonably practicable. It shall contain a suitable couch and seating accommodation.

DINING ACCOMMODATION.

28. (a) In factories where five or more employees are employed and it is or becomes reasonably practicable so to do a separate room or portion of the factory or workshop shall be set aside by the employer as a dining room and therein the employer shall provide adequate table and seating accommodation.

(b) Hot water shall be provided free of charge to be available to employees immediately meal time commences.

(c) The employer shall provide the necessary labour to keep such room clean.

(d) If such dining room is not regularly used by a reasonable number of the employees the employer shall be released from his obligations under sub-clauses (a) and (b) hereof.

FIRST-AID OUTFIT.

29. (a) The employer shall provide and continuously maintain an efficient first-aid outfit in each factory controlled by him.

(b) An efficient first-aid outfit shall be that prescribed by the Factories and Shops Acts and the regulations thereunder, but in cases where there is no legislation on the subject, the first-aid outfit shall contain the following equipment:—

Article.	Quantities to be kept in Ambulance Chest.	
	Factories and Workshops in which not more than 30 persons are employed.	Factories and Workshops in which more than 30 persons are employed.
Antiseptic solution	1 bottle	1 bottle
Bandages, cotton and gauze	½ doz. assorted sizes	½ doz. assorted sizes
Iodine, tincture	1 oz.	2 oz.
Castor Oil	1 oz.	2 oz.
Manual, first-aid.		
Petroleum, carbolized	1 jar	1 jar
Picric acid solution, made according to the following recipe or prescription—		
1½ teaspoonsful of powdered picric acid; 3 oz. absolute alcohol;		
2 pints distilled water		
Pins, Safety	1 packet	1 packet
Sal Violatile	1 oz.	6 oz.
Scissors	1 pair	1 pair
Tourniquet	1	1
Cotton, absorbent	an adequate assortment	an adequate assortment
Gauze, sterilized and plain		
Lint, absorbent		
Plaster, adhesive		

UNION BUSINESS.

30. Officers or members of the Union or any branch thereof may leave their work to attend to the business of the Union after at least three days' notice has been given to the employer, but without being paid while absent.

PERIODICAL ADJUSTMENT OF WAGES.

31. The wages rates set out for males in clause 2 are based upon the following basic wage rates, and pursuant to the provisions of Section 21 of the Factories and Shops Act 1934, the Board determines that such rates shall be automatically adjusted as prescribed by clause 32.

Basic Wage.

Needs Basic Wage (adjustable on Capital Cities Index Number).	Needs Basic Wage (Adjustable).	Loading (Constant).	War-time Loading.	Total Basic Wage.
	Per Week.	Per Week.	Per Week.	Per Week.
	£ s. d.	£ s. d.	s. d.	£ s. d.
Four capitals (excluding Perth and Adelaide)	5 2 0	0 5 0	4 0	5 11 0

ADJUSTMENT OF BASIC WAGE.

32. (a) For the purposes of this Determination, the expression "Commonwealth Statistician's 'all items' retail price index numbers" or any like expression means the numbers stated to be such index numbers in any document purporting, and not proved to be wrongly so purporting, to be printed by the Commonwealth Government Printer or to be signed by or on behalf of the Commonwealth Statistician.

(b) Until the beginning of the first pay period to commence in August, 1947, the amounts of the Basic Wage shall be as prescribed in clause 31.

(c) During each future successive period beginning with the first pay period to commence in an August, a November, a February, or a May, the amount of the needs basic wage shall be adjusted by the following method, namely, by multiplying the last published Commonwealth Statistician's "all items" retail price index number by the factor .087 taken to one place of decimals, the resultant whole number being the amount of the basic wage expressed in shillings, but should the decimal number reach .5 or more the basic wage shall be taken to the next higher shilling.

In all cases where for the same class of work the same rates have been prescribed for journeymen as are prescribed for journeymen, the rates for such journeymen shall be increased or decreased in the same manner and by the same amount as the rates for journeymen.

The rates for all other adult female employees shall, at the same time, be adjusted so as to be 54 per cent. of the needs basic wage (calculated to the nearest 3d.) plus 50 per cent of the male loading payable from time to time to adult male employees, plus a margin of 8s. 6d.

The rates for piece-workers shall at the same time be increased or decreased in the same proportion as the weekly rates for the same class of work.

P. A. RANGLES, J.P., Chairman.

J. V. WILLOX, Secretary.

Melbourne, 29th May, 1947.

[The page contains extremely faint and illegible text, likely bleed-through from the reverse side of the document. The text is too light to transcribe accurately.]



VICTORIA GOVERNMENT GAZETTE.

Published by Authority.

[Registered at the General Post Office, Melbourne, for transmission by post as a newspaper.]

No. 311]

TUESDAY, JULY 8.

[1947

Factories and Shops Acts.

DETERMINATION OF THE SADDLERY AND HARNESS BOARD.

NOTE.—This Determination applies to the whole of the State of Victoria.

In accordance with the provisions of the Factories and Shops Acts, the Wages Board appointed to "determine the lowest prices or rates which may be paid to any persons employed in the trade of manufacturing harness, saddlery, or whiphongs" has made the following Determination, namely:—

1. That as from the beginning of the first pay period to commence in May, 1947, the last previous Determination of this Board, shall be revoked and replaced by this Determination.

2. That the lowest rates to be paid to any persons employed in the trade of manufacturing or repairing harness, saddlery, or whiphongs shall be—

3.

WAGES.

	Adjustable Weekly Rate.	Non-adjustable.		Total Weekly Wage.
		Constant Loading.*	War Loading.*	
	£ s. d.	s. d.	s. d.	£ s. d.
Journeymen	6 4 0	5 0	4 0	6 13 0
Journeywomen	3 3 6	2 6	2 0	3 8 0

* These loadings shall not be subject to adjustment pursuant to cost of living fluctuations and shall not be taken into account in the calculation of overtime or other penalty rates prescribed by this Determination.

FEMALES TO BE PAID MALE RATE.

4. Where a female is employed to do any of the following classes of work she shall be paid the rate which is prescribed for adult males:—

- Hand stitching or machine sewing with waxed thread of buggy, gig, or cab saddles, winker eyes, fronts, drops, padtops, pad or saddle cloths, folded hand parts, collar side pieces or housings for gig, carriage, spring cart or van harness;
- hand stitching or machine sewing all other harness;
- hand stitching, with waxed thread (other than beeswax), all classes of saddlery and leather goods other than harness;
- machine sewing, with waxed thread (other than beeswax), all classes of saddlery and leather goods other than harness;
- quilting or cross barring panels;
- cutting out all classes of work;
- preparing, edging, creasing and finishing all classes of work.

APPRENTICES—MALES.

5. (a) The probationary period of trainee apprentices or apprentices shall not exceed three months.

(b) The minimum rates of wage to be paid to apprentices or probationers shall be not less than the following:—

	Weekly Rate.	Constant Loading.†	War Loading.†	Total Weekly Wage.
	s. d.	s. d.	s. d.	s. d.
Five-year terms—				
First year's experience	21 6	0 6	0 6	22 6
Second year's experience	29 0	1 0	1 0	31 0
Third year's experience	37 9	1 6	1 6	40 9
Fourth year's experience	58 0	2 0	2 0	62 0
Fifth year's experience	75 3	2 0	2 0	79 3
Four-year terms—				
First year's experience	23 0	0 6	0 6	24 0
Second year's experience	37 9	1 0	1 0	39 9
Third year's experience	58 0	2 0	2 0	62 0
Fourth year's experience	75 3	2 0	2 0	79 3

† These loadings shall not be taken into account in calculating overtime or other penalty rates prescribed by this Determination.

(c) Experience in this clause means actual experience whether as an apprentice or otherwise, in any one or more of the operations provided as apprenticeship operations.

(d) Except as otherwise provided minors may be engaged in the following occupations under contracts of apprenticeship or trainee apprenticeship framed in conformity with this Determination:—(1) Riding Saddle Maker; (2) Harness, harness saddle, bridle work, and strapping maker; (3) Cutting or clicking; (4) Whip and whiphong maker; (5) Collar maker.

(e) The period of apprenticeship shall not exceed four or five years including any period of experience in the occupation to which the minor is being apprenticed prior to entering into the indenture of apprenticeship.

(f) An employer especially qualified to teach apprentices may, with the consent of this Wages Board, employ a greater proportion of apprentices to tradesmen than herein specified.

(g) Until further order any contract of apprenticeship may contain the following provision:—

If through lack of orders or through financial difficulties the employer is unable at any time to find employment and training for an apprentice and if a transfer to another employer cannot be arranged, the obligations and duties imposed by the indenture may, with the concurrence of the apprentice and his guardian, be suspended for a period agreed upon, or if no such agreement is arrived at may be cancelled by the employer. The onus of proof of circumstances justifying such cancellation shall be on the employer.

(h) Any apprentice who cannot complete his full term of apprenticeship before reaching his twenty-second birthday may by agreement with his master serve as an apprentice until he reaches the age of twenty-three years.

(i) All wages shall be paid without deduction for specified holidays or for unavoidable absences through sickness to the number of four days per annum.

(j) The apprentice at the end of the calendar period of any year in which he has actually given service to the master upon less than the ordinary working days prescribed in this Determination, or in which he has unlawfully absented himself without the master's consent shall, for every day short of the said number of working days, and for every day of such absence, serve one day, and the calendar period of the succeeding year of his service shall not be deemed to begin until the said additional day or days shall have been served.

(k) The ordinary hours of employment of apprentices shall be the same in each workshop as those of journeymen.

(l) An apprentice under the age of eighteen years shall not be liable to work overtime unless he so desires.

(m) An apprentice shall not work under any system of payment by results.

(n) An employer shall not, either directly or indirectly, or by any pretence or device receive from any person or require or permit any person to pay or give any consideration in the nature of a premium or bonus for the taking or binding of any probationer or apprentice.

JUNIOR WORKERS—MALES.

6. (a) Junior workers may be employed at the following rates of pay:—

	Weekly Rate.	Constant Loading.*	War Loading.*	Total Weekly Wage.
	<i>s. d.</i>	<i>s. d.</i>	<i>s. d.</i>	<i>s. d.</i>
Under 16 years of age	21 6	0 6	0 6	22 6
16 and under 17 years of age	29 0	1 0	1 0	31 0
17 and under 18 years of age	37 9	1 6	1 6	40 9
18 and under 19 years of age	58 0	2 0	2 0	62 0
19 and under 20 years of age	75 3	2 0	2 0	79 3
20 and under 21 years of age	92 0	2 0	2 0	96 0

* These loadings shall not be taken into account in the calculation of overtime or other penalty rates prescribed by this Determination.

(b) The proportion of junior workers and apprentices allowed shall be:—

MALE EMPLOYEE RECEIVING AT LEAST ADULT MALE BASIC WAGE.	JUNIOR WORKERS INCLUDING APPRENTICES.
1	1
2 to 20	1 for every 2 such male employees
Over 20	A further 1 for every 3 such male employees over 20

In computing the proportion under this sub-clause the number of such male employees employed for the whole of the previous six months shall be taken.

JUNIOR WORKERS—FEMALES.

7. (a) Female junior workers may be employed at the following rates of pay:—

	Weekly Rate.	Constant Loading.†	War Loading.†	Total Weekly Wage
	<i>s. d.</i>	<i>s. d.</i>	<i>s. d.</i>	<i>s. d.</i>
First year's experience	20 9	0 6	0 6	21 9
Second year's experience	27 9	1 0	1 0	29 9
Third year's experience	34 9	1 0	1 0	36 9
Fourth year's experience	45 0	1 6	1 6	48 0
And thereafter the minimum wage prescribed for females for the class of work which they are doing.				

† These loadings shall not be taken into account in the calculation of overtime or other penalty rates prescribed by this Determination.

(b) For the purposes of this clause "experience" shall mean any form of employment in this industry.

(c) Juniors employed under this clause shall on dismissal receive from their employer a certificate of the period of employment completed. Employers who wilfully employ juniors without taking into account previous experience shall be guilty of a breach of this Determination.

(d) The proportion of female apprentices and junior workers shall not exceed two to one adult female receiving the minimum wage.

DEFINITIONS.

8. (a) "Journeyman" shall mean a male employee 21 years of age or over, other than apprentices; provided that the rates prescribed for juniors between 19 and 21 years of age in clause 6 hereof shall operate until the junior has reached the age of 21 years.

(b) "Journeywoman" shall mean a female employee 21 years of age or over, or one who has worked four years or more on any work for which the adult rate is prescribed.

(c) "Union" shall mean The Australian Saddlery Leather Sail Canvas Tanning Leather Dressing and Allied Workers Trades Employees' Federation.

HOURS.

9. (a) Forty-four hours shall constitute a week's work.

(b) The regular hours of work shall not be earlier than 7 a.m. and not later than 6 p.m. on five days of the week and not earlier than 7 a.m. and not later than noon on Saturday or other day in which a half-holiday is kept.

(c) Not more than 8 hours 48 minutes (except if paid for at overtime rates) shall be worked in any one day in each week.

MIXED FUNCTIONS.

10. An employee engaged for more than half of one day or shift on duties carrying a higher rate than his ordinary classification shall be paid the higher rate for such day or shift. If for less than half of one day or shift, he shall be paid the higher rate for the time so worked.

MEAL TIME.

11. (a) Employees shall be allowed one meal break of not less than 30 minutes, such meal break to commence not later than 1 p.m.

(b) Meal intervals having been fixed shall not be altered except on seven days' notice to a shop steward employed in the factory and where there is no shop steward, on notice to the Secretary of the local branch of the Union.

(c) Any employee called upon to work during a meal hour shall be paid time and a half, and such time and a half shall continue until he or she has had a meal break.

OVERTIME.

12. (a) All time worked on any day before or after the regular working hours or in excess of 8 hours 48 minutes on any one day, or in excess of 44 hours in any one week, shall be paid for at the rate of time and a half for the first four hours and double time thereafter.

(b) In computing overtime each day's work shall stand alone.

(c) Any employees required to work overtime for more than two hours in any one day without being notified the day before that they will be required so to work, shall either be supplied with a meal by the employer or paid 2s., but such payment need not be made to employees living in the same locality as their workshop who can reasonably return home for meals.

(d) If any employee pursuant to notice under the preceding sub-clause has provided a meal and is not required to work overtime he or she shall be paid 2s. for the meal so provided.

(e) No junior male worker (under the age of 16 years) or any female employee shall work overtime after 9 p.m.

PIECE-WORK.

13. (a) Subject to the employee receiving at least the minimum time rate an employer may remunerate, in respect of callings in which employees now work under a system of payment by results, any of his employees under any system of payment by results based on rates which will enable workers of average capacity to earn at least 10 per centum in excess of their weekly rates. Such piece-work rates shall be fixed by the Factory Board consisting of two representatives of any employer, one of his employees, and one representative of the employees' Union. If any such Board is unable to agree on any rate or rates proposed by the employer the matter in dispute shall be referred to this Wages Board.

(b) If the employees of any factory or the employees' Union fail to appoint representation to any such Board or fail to attend a meeting of such Board called by the employer on a date not less than three days after the service of notice on the State Secretary of the employees' Union the employer may adopt piece-work rates which he deems reasonable without the authority of any Factory Board.

(c) Where an employee works part of a full week at piece-work rates and part at time rates he or she shall be paid so much as he or she is entitled to receive under such piece-work rates, plus the proportionate amount which he or she is entitled to receive under this Determination at time rates of pay.

(d) The Union may, during the currency of this Determination, apply to this Wages Board for correction or regulation of any piece-work rate, time bonus rate, task rate, or any system of payment by results now in operation or hereafter introduced into any workshop controlled by an employer subject to this Determination.

(e) Where an employer has any person working under any system of payment by results referred to in this clause, he shall reduce into writing the terms under which such person is working, and such document shall be signed by such person and the employer. Upon demand by an officer of the Union such document shall be shown to him, and he shall be allowed to make a copy of the same should he so desire. If the Union considers that any such document does not comply with the provisions of this clause, it may refer the question to this Wages Board for determination.

(f) As far as practicable different grades of work shall be equitably divided between employees working under any system of payment by results.

(g) Employees working on any system of payment by results shall be paid at rate and a half when called upon to work overtime outside their ordinary hours of work or beyond 8 hours 48 minutes on any one day or 44 hours in any one week.

(h) Employees working on any system of payment by results waiting on the employer's premises at the employer's request ready and willing to work shall, for each pay period, receive at least the time rate prescribed for their occupation.

(i) Journeymen on piece-work teaching learners (not in the employ of the piece-worker) on piece-work shall be paid 10 per centum of piece-work rates extra whilst so employed.

TIME AND WAGES BOOKS, CARDS, ETC.

14. (a) Each employer shall keep in each factory, workshop, or place where work is carried on by him, some card or check used in connexion with a mechanical clock or a time and wages book showing the name of each employee and his or her occupation, the hours worked each day, and the wages and allowances paid each week.

(b) Where a time-book is kept it shall be correctly entered up in ink, and shall be signed each week by the employee verifying the accuracy of the hours worked and the wages and allowances paid each week.

(c) The time occupied by an employee in filling in any time books or cards or in the making of records shall be treated as time of duty, but this does not apply to checking in or out at the beginning or end of duty.

(d) The time and wages book shall be open for inspection to not more than two officers of the Union duly accredited in writing by the Union during the usual office hours at the employer's office or other convenient place: Provided that an inspection shall not be demanded unless the Secretary of the Union or the district secretary or organizer of any division suspects that a breach of the Determination has been committed: Provided also that only one demand for such inspection shall be made in any one fortnight at the same establishment.

(e) The official making such inspection shall be entitled to take a copy of entries in a time and wages book relating to the suspected breach of the Determination.

RIGHT OF ENTRY OF UNION OFFICIAL.

15. (a) A duly accredited representative of the Union shall have the right to enter employers' workshops during the midday meal hour for the purpose of interviewing employees on legitimate Union business, on the following conditions:—

(i) that he produces his authority to the gatekeeper or such other person as may be appointed by the employer;

(ii) that he interviews employees only at the place where they are taking their meal;

(iii) that not more than one representative in all be in any workshop at any one time;

(iv) that no one representative visit a workshop more than once in each week; and

(v) that if any employer alleges that a representative is unduly interfering with his workshop or is creating disaffection amongst his employees or is offensive in his methods or is committing a breach of any of the previous conditions, such employer may refuse the right of entry, but the representative shall have the right to bring such refusal before this Wages Board.

(b) Where a Union official holding the right of entry under this clause suspects that a breach of the Determination is occurring or has occurred he shall be afforded the opportunity to enter the factory during working hours and view the work in question: Provided that during such inspection the official shall not obstruct or interfere with the work in any way or converse with the employees while at work.

PAYMENT FOR WORK ON SUNDAYS AND HOLIDAYS.

16. (a) All work performed on Sundays and holidays shall be paid for at the rate of not less than double time.
 (b) An employee called upon to work on a Sunday or holiday shall be paid for a minimum of four hours' duty.

EMPLOYER TO FIND WORKSHOP, ETC.

17. The employer shall find workshops, light, and bench room and supply all materials used in connexion with the trade free of charge to the employees.

OUTDOOR WORK.

18. All work shall be performed at the shop or factory of the employer, and no employer shall give out work to be performed at any other place.

CERTIFICATE OF SERVICE.

19. Any junior worker when leaving or being discharged from his or her employment shall be given by the employer a certificate stating the date when such employment began and the date when such employment terminated.

LIMITATION OF EMPLOYER'S LIABILITY.

20. An employee entitled to the benefit of this Determination may at any time within twelve months from any payment by way of wages in accordance with this Determination becoming due to him or her, but not later, sue for the same in any court of competent jurisdiction: Provided that a demand in writing has been made on the employer concerned within three months of the time when the wages or arrears of wages, as the case may be, became due.

POSTING DETERMINATION AND NOTICES.

21. (a) In each factory in which five or more employees are employed, the employer shall provide a notice board in the workroom of each department and the Union shall be permitted to post formal shop and Union notices on such board: Provided that the notices so posted shall be signed by the President, Secretary, or shop steward of the Union.

- (b) Every employer shall post and keep posted a copy of the Determination in a place accessible to all employees.

PAYMENT OF WAGES.

22. (a) Employers shall pay all moneys due at least once in each week before knock-off time, and not later than Thursday in each week.

(b) Any employee who has worked only a portion of a week and who is dismissed by his employer or has left his employment after the giving of a week's notice, shall be paid on ceasing for all time worked during that week less any deductions that the employer may be lawfully entitled to make hereunder.

- (c) Each employer shall be entitled to retain in hand from each employee an amount equal to two days' wages of such employee.

HOLIDAYS.

23. (a) All employees shall be entitled to the holidays hereinafter mentioned or any day observed in lieu thereof without deduction of pay:—New Year's Day, Australia Day, Labour Day, Good Friday, Easter Monday, Anzac Day, King's Birthday, Christmas Day, Boxing Day.

(b) In the Metropolitan District as defined in the Factories and Shops Acts and the Order in Council thereunder, Melbourne Cup Day shall be observed as a holiday in lieu of King's Birthday.

(c) Piece-workers shall be paid for such holidays even though not worked at the ordinary rates payable to employees not on piece-work doing the same class of work. The rate shall be one-sixth of the appropriate weekly wage in factories working on six days per week, and one-fifth in factories working five days per week.

(d) If an employee's engagement is terminated within two weeks of any of the holidays abovementioned, he or she shall be paid for such holiday or holidays unless he or she commences work with another employer and is paid by such employer for such holiday or holidays.

(e) Where an employee is absent from his or her employment on the working day or part of the working day before or after a holiday without reasonable excuse or without the employer's consent such employee shall not be entitled to payment for such holiday. The amount to be deducted shall be one-sixth or one-fifth as the case may be of the appropriate weekly wage.

ANNUAL LEAVE.

Period of Leave.

24. (a) Except as hereinafter provided a period of fourteen consecutive days' leave with payment of ordinary wages as prescribed shall be allowed annually to an employee by his employer after a period of twelve months' continuous service with such employer.

Public Holidays Excluded.

(b) (i) Such period of annual leave shall not include holidays as prescribed in clause 23 observed on working days, but shall include all other non-working days.

(ii) If any holiday as prescribed in clause 23 falls within an employee's period of annual leave and is observed on the day which in the case of that employee would have been an ordinary working day, there shall be added to that period one day, being an ordinary working day for each holiday observed as aforesaid.

(iii) Where an employee without reasonable excuse proof whereof shall lie upon him is absent from his employment on the working day or part of the working day prior to the commencement of his annual leave or fails to resume work at his ordinary starting time on the working day immediately following the last day of the period of his annual leave, the employee shall not be entitled to payment for the public holidays which fall within his period of annual leave.

Notice of Leave to be Given.

(c) At least seven days' notice shall be given to an employee as to when he is to commence his leave, and if such notice be withdrawn by an employer, the employee if he postpones his leave, shall be compensated by the employer for any reasonable out of pocket loss occasioned thereby; in the case of dispute to be settled by the Wages Board.

Time When Leave to be Granted.

(d) Annual leave shall be given at a time fixed by the employer within a period not exceeding three months from the date when the right to annual leave accrued and after not less than one week's notice to the employee.

Leave to be Given and Taken.

(e) The annual leave provided for by this clause shall be allowed and shall be taken and except as provided in sub-clause (h) hereof payment shall not be made or accepted in lieu of annual leave.

Payment of Wages.

(f) Each employee before going on leave shall be paid two weeks' wages at ordinary rates for the occupation in which the employee was ordinarily employed immediately prior to the commencement of his leave. Payment in case of employees employed on piece work or bonus work or any other system of payment by results shall be at time rates.

Leave in Advance.

(g) (i) An employer may grant annual leave to an employee before the right thereto has accrued due, but where leave is taken in such a case, a further period of annual leave shall not commence to accrue until the expiration of the twelve months in respect of which annual leave had been taken before it accrued.

(ii) Where leave has been granted to an employee pursuant to sub-clause (g) (i) hereof before the right thereto has accrued due and the employee subsequently leaves or is discharged from the service of the employer before completing the twelve months' continuous service in respect of which the leave was granted, the employer may for each one complete month of the qualifying period of twelve months not served by the employee, deduct from whatever remuneration is payable upon the termination of the employment one-twelfth of the amount of wage paid on account of the annual leave, which amount shall not include any sums paid for any of the holidays prescribed in clause 22 of this Determination. Provided that in cases where such leave is granted at the request of the employee, the employer may when making payment under sub-clause (f) hereof, withhold from the employee a sum equal to one-twelfth for each complete month of the qualifying period not served by the employee at the time of going on such leave and retain such sum until the expiration of such qualifying period.

Proportionate Payment.

(h) Proportionate payment shall be made in respect of each completed month of continuous service in any qualifying twelve-monthly period when an employee lawfully leaves his employment or his employment is terminated by his employer through no fault of the employee.

Calculation of Continuous Service.

(i) (a) Continuity of service shall be deemed to be continuous notwithstanding—

- (i) any interruption or termination of the employment by the employer if such interruption or termination has been made with the intention of avoiding obligations hereunder in respect of annual leave;
- (ii) any absence from work of not more than fourteen days in the twelve months on account of sickness or accident (proof whereof shall be on the employee);
- (iii) any absence on account of leave granted imposed or agreed to by the employer;
- (iv) any absence due to reasonable cause (including absences on account of sickness or accident of more than fourteen days) (proof whereof shall be on the employee).

Provided that in cases of personal sickness or accident or absence with reasonable cause the employee to become entitled to the benefit of this sub-clause shall if practicable inform the employer in writing within 24 hours after the commencement of such absence of his inability to attend for duty and as far as practicable the nature of the illness injury or cause, and the estimated duration of his absence.

(b) In calculating a period of twelve months' continuous service—

- (i) (1) any annual leave taken therein;
- (2) any absences of the kind mentioned in (i) and (ii) of paragraph (a) above shall be counted as part of such period;
- (ii) in respect of absences of the kind mentioned in (iii) and (iv) of paragraph (a) above, the employee shall serve such additional period as part of his qualification for annual leave as will equal the period of such absences;
- (iii) (1) where an employee is absent from work for any cause whatsoever the employer shall, if so requested by the employee, notify the employee within fourteen days of the receipt of such request whether the employer regards such absence as breaking either conditionally or unconditionally the continuity of service of such employee. If the employee does not make such request within seven days of his return to work after any such absence, such absence shall be deemed to have broken such continuity. If the employer does not give such notice within the said fourteen days, such absence shall not be deemed to be such a break.

The employee shall make such request in writing and shall deliver same to the employer's office at the factory where he is employed, or if there be no such office, to the manager of such factory or in his absence to the employee's foreman.

The employer shall give the notification to the employee by having the same delivered to such employee personally in writing;

- (2) where an employee has been absent from his employment, and the employer has notified him that such absence is regarded as a break in the continuity of service, the employee may within fourteen days of such notification from the employer, appeal to the Wages Board against such notification of the employer.

Calculation of Month.

(j) For the purpose of this clause a month shall be reckoned as commencing with the beginning of the first day of the employment or period of employment in question and as ending at the beginning of the day which in the latest month in question has the same date number as that which the commencing day had in its month and if there be no such day in such subsequent month shall be reckoned as ending at the end of such subsequent month.

Successor or Assignee or Transmitlee.

(k) Where the employer is a successor or assignee or transmitlee of a business if an employee was in the employment of the employer's predecessor at the time when he became such successor or assignee or transmitlee the employee in respect of the period during which he was in the service of the predecessor shall for the purpose of this clause be deemed to be in the service of the employer.

Annual Close Down.

(l) Where an employer closes down his plant, or a section or sections thereof, for the purpose of allowing annual leave to all or the bulk of the employees in the plant, or section or sections the following provisions shall apply:—

- (i) He may by giving to the employees concerned not less than one month's notice of his intention so to do, stand off for the duration of the close down all employees in the plant or section or sections concerned, and allow to those who are not then qualified for two full weeks' leave paid leave on a proportionate basis of one-sixth of a week's leave for each completed month of continuous service.
- (ii) An employee who has then qualified for two full weeks' leave, and has also completed a further month or more of continuous service shall be allowed his leave, and shall also be paid one-sixth of a week's wages in respect of each completed month of continuous service performed since the close of his last twelve-monthly qualifying period.
- (iii) The next twelve-monthly qualifying period for each employee affected by such close down shall commence from the day on which the plant, or section or sections concerned, is reopened for work.
- (iv) If in the first year of his service with an employer an employee is allowed proportionate annual leave under paragraph (i) hereof, and subsequently within such year lawfully leaves his employment or his employment is terminated by the employer through no fault of the employee, he shall be entitled to the benefit of sub-clause (h) of this clause, subject to adjustment for any proportionate leave which he may have been allowed as aforesaid.

Disputes.

(m) Any dispute as to the rights of an employee to or with respect to annual leave shall be dealt with by the Wages Board.

Operation.

(n) Service before the 1st January, 1946, shall be taken into consideration for the purpose of calculating annual leave but an employee shall not be entitled to leave or payment in lieu thereof for any period in respect of which leave or a payment in lieu thereof has been allowed or made under the clause hereby revoked.

CONTRACT OF EMPLOYMENT.

25. (a) Employment shall be terminable on either side by a week's notice given at any time during the week or if terminated without notice by payment or forfeiture of a week's wages as the case may be.

(b) This shall not affect the right of the employer to dismiss any employee without notice for malingering, inefficiency, neglect of duty or misconduct, and in such cases wages shall be paid up to the time of dismissal only: Provided that the employer may deduct payment for any day or part thereof on which an employee cannot be usefully employed because of stoppage of work by an organization or groups of employees or through any breakdown of machinery or any stoppage of work by any cause for which the employer cannot reasonably be held responsible.

(c) An employee absent through illness or accident shall not be entitled in any year (whether in the employ of one employer or several) to leave in excess of 44 hours of working time. For this purpose a year shall commence on the 15th day of October.

An employee before becoming entitled to sick pay shall if required to do so by the employer produce a doctor's certificate or other sufficient evidence of sickness.

An employee shall not be entitled to sick leave unless he has been in the service of the employer concerned for at least four weeks immediately prior to such absence.

(d) Casual employees, that is employees for whom a full week's work is not provided, may be employed and shall be paid 10 per centum in addition to the total wages prescribed for their occupation.

TRAVELLING TIME.

26. Any employee sent to work at a place other than his or her ordinary place of employment shall be paid all fares and out of pocket expenses incurred in going to or from such place of employment, and shall, if the travelling is done outside ordinary hours, be paid at ordinary rates for the time spent in travelling with a maximum of eight hours per day.

REST PERIOD.

27. A rest period of ten minutes shall be given to all female employees between the hours of 9.30 a.m. and 11.30 a.m. The interval shall be counted as time of duty without deduction of pay. During such period the employees may leave their seats but not the premises.

REST ROOM.

28. In factories where ten or more female employees are employed, a properly ventilated rest room shall be provided for the use of such female employees where reasonably practicable. It shall contain a suitable couch and seating accommodation.

DINING ACCOMMODATION.

29. (a) In factories where five or more employees are employed and it is or becomes reasonably practicable so to do, a separate room or portion of the factory or workshop shall be set aside by the employer as a dining room and therein the employer shall provide adequate table and seating accommodation.

(b) Hot water shall be provided free of charge to be available to employees immediately meal time commences.

(c) The employer shall provide the necessary labour to keep such room clean.

(d) If such dining room is not regularly used by a reasonable number of the employees the employer shall be released from his obligations under sub-clauses (a) and (b) hereof.

FIRST-AID OUTFIT.

30. (a) The employer shall provide and continuously maintain an efficient first-aid outfit in each factory controlled by him.

(b) An efficient first-aid outfit shall be that prescribed by the Factories and Shops Acts and the Regulations thereunder, but, in cases where there is no legislation on the subject, the first-aid outfit shall contain the following equipment:—

Article.	Quantities to be Kept in Ambulance Chest.	
	Factories and workshops in which not more than 30 persons are employed.	Factories and workshops in which more than 30 persons are employed.
Antiseptic solution	1 bottle	1 bottle
Bandages, cotton and gauze	½ dozen assorted sizes	½ dozen assorted sizes
Iodine, tincture	1 oz.	2 oz.
Castor oil	1 oz.	2 oz.
Manual, first-aid		
Petrolatum, carbolized	1 jar	1 jar
Picric acid solution, made according to the following recipe or prescription:— 1½ teaspoonful of powdered picric acid; 3 oz. absolute alcohol; 2 pints distilled water.		
Pins, safety	1 packet	1 packet
Sal volatile	1 oz.	6 oz.
Scissors	1 pair	1 pair
Tourniquet	1	1
Cotton, absorbent		
Gauze, sterilized and plain		
Lint, absorbent		
Plaster, adhesive		
	An adequate assortment	An adequate assortment

UNION BUSINESS.

31. Officers or members of the Union or any branch thereof may leave their work to attend to the business of the Union after at least three days' notice has been given to the employer but without being paid while absent.

PERIODICAL ADJUSTMENT OF WAGES.

32. The wages rates set out for males in clause 3 are based upon the following basic wage rates, and, pursuant to the provisions of section 21 of the *Factories and Shops Act 1934*, the Board hereby determines that such rates shall be automatically adjusted as prescribed by clause 33:—

BASIC WAGE.

Needs Basic Wage (adjustable on capital cities index number).	Needs Basic Wage (Adjustable.)	Constant Loading.	War Loading.	Total Basic Wage.
	£ s. d.	Per Week. s. d.	Per Week. s. d.	Per Week. £ s. d.
Four Capitals (excluding Perth and Adelaide) ..	5 2 0	5 0	4 0	5 11 0

ADJUSTMENT OF BASIC WAGE.

33. (a) For the purposes of this Determination the expression "Commonwealth Statistician's 'all items' retail price and index numbers" or any like expression means the numbers stated to be such index numbers in any document purporting and not proved to be wrongly so purporting, to be printed by the Commonwealth Government Printer, or to be signed by or on behalf of the Commonwealth Statistician.

(b) Until the beginning of the first pay period to commence in August, 1947, the amounts of the basic wage shall be as prescribed in clause 32.

(c) During each future successive period beginning with the first pay period to commence in an August, a November, a February or a May, the amount of the needs basic wage shall be adjusted by the following method, namely, by multiplying the last published Commonwealth Statistician's "all items" retail price index number by the factor .087 taken to one place of decimals, the resultant whole number being the amount of the basic wage expressed in shillings, but should the decimal number reach .5 or more the basic wage shall be taken to the next higher shilling.

In all cases where for the same class of work the same rates have been prescribed for journeywomen as are prescribed for journeymen, the rates for such journeywomen shall be increased or decreased in the same manner and by the same amount as the rates for journeymen.

The rates for all other adult female employees shall, at the same time, be adjusted so as to be 54 per cent. of the needs basic wage (calculated to the nearest 3d.) plus 50 per cent. of the male loading payable from time to time to adult male employees, plus a margin of 8s. 6d.

The rates for piece-workers shall at the same time be increased or decreased in the same proportion as the weekly rates for the same class of work.

P. A. RANGLES, J.P., Chairman.

J. V. WILLOX, Secretary.

Melbourne, 29th May, 1947.

1. The first part of the document discusses the importance of maintaining accurate records of all transactions and activities. It emphasizes that this is crucial for ensuring transparency and accountability in the organization's operations.

2. The second part of the document outlines the various methods and tools used to collect and analyze data. It highlights the need for consistent data collection procedures and the use of advanced analytical techniques to derive meaningful insights from the data.

3. The third part of the document focuses on the role of technology in data management and analysis. It discusses how modern software solutions can streamline data collection, storage, and processing, thereby improving efficiency and accuracy.

4. The fourth part of the document addresses the challenges associated with data management, such as data quality, security, and privacy. It provides strategies to mitigate these risks and ensure that the data remains reliable and secure throughout its lifecycle.

5. The fifth part of the document concludes by summarizing the key findings and recommendations. It stresses the importance of a data-driven approach in decision-making and the need for ongoing monitoring and evaluation to ensure the effectiveness of the data management processes.



VICTORIA GOVERNMENT GAZETTE.

Published by Authority.

[Registered at the General Post Office, Melbourne, for transmission by post as a newspaper.]

No. 312]

TUESDAY, JULY 8.

[1947

Factories and Shops Acts.

DETERMINATION OF THE CONFECTIONERS BOARD.

NOTE.—This Determination applies to the whole State of Victoria.

IN accordance with the provisions of the Factories and Shops Acts, the Wages Board appointed to "determine the lowest prices or rates which may be paid to any person or persons or classes of persons employed in the process, trade, or business of a manufacturing confectioner," has made the following Determination, namely:—

1. That as from the beginning of the first pay period to commence in May, 1947 the last previous Determination of this Board shall be revoked and replaced by this Determination.

2.

Apprentices and Improvers.	Juvenile Workers.—Males under 21 Years of Age, other than Apprentices or Improvers.	Other Employees.																																																																																																									
WAGES PER WEEK OF 44 HOURS. <i>Males (assisting the Storeman and Packer).</i> <table style="width: 100%; border-collapse: collapse;"> <tr> <td style="width: 80%;"></td> <td style="text-align: right; width: 10%;"><i>s.</i></td> <td style="text-align: right; width: 10%;"><i>d.</i></td> </tr> <tr> <td>18 years of age and under 19 years</td> <td style="text-align: right;">66</td> <td style="text-align: right;">6</td> </tr> <tr> <td>19 " " " 20 "</td> <td style="text-align: right;">81</td> <td style="text-align: right;">9</td> </tr> <tr> <td>20 " " " 21 "</td> <td style="text-align: right;">100</td> <td style="text-align: right;">3</td> </tr> </table> <p style="text-align: center;"><i>All Other Males.</i></p> <table style="width: 100%; border-collapse: collapse;"> <tr> <td style="width: 80%;"></td> <td style="text-align: right; width: 10%;"><i>s.</i></td> <td style="text-align: right; width: 10%;"><i>d.</i></td> </tr> <tr> <td>15 years of age and under</td> <td style="text-align: right;">28</td> <td style="text-align: right;">6</td> </tr> <tr> <td>16 years of age</td> <td style="text-align: right;">36</td> <td style="text-align: right;">9</td> </tr> <tr> <td>17 years of age</td> <td style="text-align: right;">46</td> <td style="text-align: right;">6</td> </tr> <tr> <td>18 years of age</td> <td style="text-align: right;">65</td> <td style="text-align: right;">6</td> </tr> <tr> <td>19 years of age</td> <td style="text-align: right;">78</td> <td style="text-align: right;">6</td> </tr> <tr> <td>20 years of age</td> <td style="text-align: right;">84</td> <td style="text-align: right;">0</td> </tr> </table> <p style="text-align: center;"><i>Females.</i></p> <table style="width: 100%; border-collapse: collapse;"> <tr> <td style="width: 80%;"></td> <td style="text-align: right; width: 10%;"><i>s.</i></td> <td style="text-align: right; width: 10%;"><i>d.</i></td> </tr> <tr> <td>16 years of age and under</td> <td style="text-align: right;">34</td> <td style="text-align: right;">0</td> </tr> <tr> <td>17 years of age</td> <td style="text-align: right;">41</td> <td style="text-align: right;">6</td> </tr> <tr> <td>18 years of age</td> <td style="text-align: right;">52</td> <td style="text-align: right;">0</td> </tr> <tr> <td>19 years of age</td> <td style="text-align: right;">61</td> <td style="text-align: right;">0</td> </tr> <tr> <td>20 years of age</td> <td style="text-align: right;">70</td> <td style="text-align: right;">3</td> </tr> </table> <p style="text-align: center;">PROPORTION.</p> <p><i>Males (assisting the Storeman and Packer).</i> One male apprentice to every three or fraction of three male workers receiving not less than 123s. per week of 44 hours. One male improver to every four or fraction of four male workers receiving not less than 123s. per week of 44 hours.</p> <p style="text-align: center;"><i>Other Male Apprentices.</i> One male apprentice to every three or fraction of three male workers receiving not less than 123s. per week of 44 hours.</p> <p style="text-align: center;"><i>Other Male Improvers.</i> One male improver to every three or fraction of three male workers receiving not less than 123s. per week of 44 hours.</p> <p style="text-align: center;"><i>Females.</i> Three female apprentices or improvers to every two or fraction of two female employees receiving not less than 82s. 6d. per week of 44 hours on day work or at piecework rates.</p>		<i>s.</i>	<i>d.</i>	18 years of age and under 19 years	66	6	19 " " " 20 "	81	9	20 " " " 21 "	100	3		<i>s.</i>	<i>d.</i>	15 years of age and under	28	6	16 years of age	36	9	17 years of age	46	6	18 years of age	65	6	19 years of age	78	6	20 years of age	84	0		<i>s.</i>	<i>d.</i>	16 years of age and under	34	0	17 years of age	41	6	18 years of age	52	0	19 years of age	61	0	20 years of age	70	3	WAGES PER WEEK OF 44 HOURS. <p style="text-align: center;"><i>General Hands.</i></p> <table style="width: 100%; border-collapse: collapse;"> <tr> <td style="width: 80%;"></td> <td style="text-align: right; width: 10%;"><i>s.</i></td> <td style="text-align: right; width: 10%;"><i>d.</i></td> </tr> <tr> <td>15 years of age and under</td> <td style="text-align: right;">28</td> <td style="text-align: right;">6</td> </tr> <tr> <td>16 years of age</td> <td style="text-align: right;">36</td> <td style="text-align: right;">9</td> </tr> <tr> <td>17 years of age</td> <td style="text-align: right;">46</td> <td style="text-align: right;">6</td> </tr> <tr> <td>18 years of age</td> <td style="text-align: right;">65</td> <td style="text-align: right;">6</td> </tr> <tr> <td>19 years of age</td> <td style="text-align: right;">78</td> <td style="text-align: right;">6</td> </tr> <tr> <td>20 years of age</td> <td style="text-align: right;">84</td> <td style="text-align: right;">0</td> </tr> </table> <p style="text-align: center;">PROPORTION.</p> <p>Two juvenile workers to every three adult workers receiving not less than the minimum wage. For the purpose of this clause a junior who is in receipt of the rate prescribed for an adult shall be counted as an adult.</p>		<i>s.</i>	<i>d.</i>	15 years of age and under	28	6	16 years of age	36	9	17 years of age	46	6	18 years of age	65	6	19 years of age	78	6	20 years of age	84	0	WAGES PER WEEK OF 44 HOURS. <p style="text-align: center;"><i>Males.</i></p> <table style="width: 100%; border-collapse: collapse;"> <tr> <td style="width: 80%;"></td> <td style="text-align: right; width: 10%;"><i>s.</i></td> <td style="text-align: right; width: 10%;"><i>d.</i></td> </tr> <tr> <td>Confectioners</td> <td style="text-align: right;">123</td> <td style="text-align: right;">0</td> </tr> <tr> <td>Storeman or packer—</td> <td></td> <td></td> </tr> <tr> <td> (a) Who works singly</td> <td style="text-align: right;">127</td> <td style="text-align: right;">6</td> </tr> <tr> <td> (b) Who supervises or directs the number of persons 18 years of age or over indicated hereunder, viz:—</td> <td></td> <td></td> </tr> <tr> <td> (i) 1, 2, 3, 4, 5 or 6 such persons</td> <td style="text-align: right;">129</td> <td style="text-align: right;">9</td> </tr> <tr> <td> (ii) 7 or more such persons</td> <td style="text-align: right;">143</td> <td style="text-align: right;">9</td> </tr> <tr> <td>Other storeman or packer engaged in the despatch or bulk receiving stores</td> <td style="text-align: right;">123</td> <td style="text-align: right;">0</td> </tr> <tr> <td>Machinists</td> <td style="text-align: right;">115</td> <td style="text-align: right;">0</td> </tr> <tr> <td>General hand</td> <td style="text-align: right;">110</td> <td style="text-align: right;">0</td> </tr> <tr> <td>All other males</td> <td style="text-align: right;">107</td> <td style="text-align: right;">0</td> </tr> </table> <p style="text-align: center;"><i>Females.</i></p> <p>General workers, chocolate dippers, French cream dippers, bulk and novelty dippers, sale and counter attendants and all other adult female employees (except those provided for in clause 5)</p> <p style="text-align: right;">82 6</p>		<i>s.</i>	<i>d.</i>	Confectioners	123	0	Storeman or packer—			(a) Who works singly	127	6	(b) Who supervises or directs the number of persons 18 years of age or over indicated hereunder, viz:—			(i) 1, 2, 3, 4, 5 or 6 such persons	129	9	(ii) 7 or more such persons	143	9	Other storeman or packer engaged in the despatch or bulk receiving stores	123	0	Machinists	115	0	General hand	110	0	All other males	107	0
	<i>s.</i>	<i>d.</i>																																																																																																									
18 years of age and under 19 years	66	6																																																																																																									
19 " " " 20 "	81	9																																																																																																									
20 " " " 21 "	100	3																																																																																																									
	<i>s.</i>	<i>d.</i>																																																																																																									
15 years of age and under	28	6																																																																																																									
16 years of age	36	9																																																																																																									
17 years of age	46	6																																																																																																									
18 years of age	65	6																																																																																																									
19 years of age	78	6																																																																																																									
20 years of age	84	0																																																																																																									
	<i>s.</i>	<i>d.</i>																																																																																																									
16 years of age and under	34	0																																																																																																									
17 years of age	41	6																																																																																																									
18 years of age	52	0																																																																																																									
19 years of age	61	0																																																																																																									
20 years of age	70	3																																																																																																									
	<i>s.</i>	<i>d.</i>																																																																																																									
15 years of age and under	28	6																																																																																																									
16 years of age	36	9																																																																																																									
17 years of age	46	6																																																																																																									
18 years of age	65	6																																																																																																									
19 years of age	78	6																																																																																																									
20 years of age	84	0																																																																																																									
	<i>s.</i>	<i>d.</i>																																																																																																									
Confectioners	123	0																																																																																																									
Storeman or packer—																																																																																																											
(a) Who works singly	127	6																																																																																																									
(b) Who supervises or directs the number of persons 18 years of age or over indicated hereunder, viz:—																																																																																																											
(i) 1, 2, 3, 4, 5 or 6 such persons	129	9																																																																																																									
(ii) 7 or more such persons	143	9																																																																																																									
Other storeman or packer engaged in the despatch or bulk receiving stores	123	0																																																																																																									
Machinists	115	0																																																																																																									
General hand	110	0																																																																																																									
All other males	107	0																																																																																																									

DEFINITIONS.

3. "Confectioner" means an adult male, not expressly included in the definition of a machinist or general hand employed—

- (i) handling or dealing with confectionery in any process of manufacture from raw materials such as sugar, glucose, gelatiné, gum, or licorice, chocolate or similar material to the finished article, and includes an employee who runs by hand with any kind of funnel or bag jubes, jellies, cream fondant, snowballs, or other articles which are run into stamped or moulded starch trays or other moulded receptacles; or
- (ii) operating or controlling any of the following machines :—
 - Chocolate dipping or covering machines.
 - Licorice making or shaping machine.
 - Depositing machine.
 - Cocoa bean roaster.
 - Milk chocolate condenser.
 - Lozenge stamping machine.
 - Lozenge cutting machine.
 - Mogul depositing machine.
- (iii) any male employee engaged continuously tempering chocolate in quantities in excess of one cwt. at a time.

"Machinist" means an adult male employed operating any one or more of the following machines :—

- Combined refiner and melanger.
- Melanger.
- Refiners.
- Conches.
- Cocoa mill.
- Cocoa butter press.
- Neat work mill.
- Liquor mill.
- Gum refining.

"General hand" means a male employee engaged on one or more of the following operations :—

- Grinding nuts.
- Stirring gum or syrup.
- Smoothing, emptying, sieving starch trays.
- Cleaning confectionery.
- Washing tins or bottles with a capacity of over 4 lb.
- Stamping lozenges.
- Marking toffee on slabs.
- Rolling confectionery, sticks or balls.
- Blanching nuts by machine.
- Cutting confectionery by hand or vertical or circular cutting machine.
- Grinding figs, acids, and other ingredients used in the trade.
- Weighing confectionery and ingredients (over 30 lb.).
- Straining syrup or other material used in the trade.
- All handling of confectionery or ingredients in the manufacture of confectionery.
- Up-ending sugar or lumping sugar.
- Glazing confections.
- Cutting neat work.
- Coating boiled goods with such ingredients as dry sugar or cocoanut, &c.
- Feeding Forgrove and similar machines (except universal type).

GENERAL WORKERS.—Means a female employed at nailing up boxes, except in the despatch or bulk or receiving store, tying up boxes, bottles, tins or parcels, tinning up, boxing or packing under 30 lb. in weight; wrapping; packing stock boxes or tins or bottles; labelling; picking nuts or fruit or confection; spreading peel or confections; sieving; cutting fruit or ginger; cleaning; washing tins or bottles with a capacity of 4 lb. or under; plain piping or dotting or glazing novelties; marking confectionery; blanching nuts by hand; separating confectionery; cutting confectionery (excepting lozenges or goods of similar nature); coating jellies or other confections with such ingredients as dry sugar or cocoanut; all handling of confectionery directly it leaves the confectioner or the machine; packing confections; stirring confectionery or ingredients (if over 30 lb. to be done by males only); icing novelties; carrying goods, materials, or utensils; filling dates with cream; placing nuts on paste; and other unskilled or labouring work, except in the despatch or bulk receiving store.

CHOCOLATE OR FRENCH CREAM DIPPERS.—Means a female engaged in dipping by hand or fork goods in chocolate, French cream, or other substance, or covering by hand or fork goods with chocolate, French cream, or other substance.

BULK DIPPERS OR NOVELTY DIPPERS.—Means a female who at one operation dips or covers a number of confections in or with chocolate or other material by means of wire frames, strainers, or other utensils, or persons filling or turning out chocolate goods moulded in or on metal.

STARCH WORK.

- 4. (a) Any employee whether an adult or junior employed on starch boxes shall be paid 2s. 6d. per week in addition to the prescribed rate.
- (b) An employer shall not employ any person under 18 years of age on starch boxes.
- (c) An employer shall not employ females on smoothing starch trays or emptying or sieving starch trays with or without confections in them.

SPECIAL RATES.

- 5. (a) All female employees employed on any work which is usually performed by males, according to the classifications and definitions, shall be paid at the rate of wages operating for males for such work.
- (b) A dust allowance of 2s. 6d. per week shall be paid to employees working in the following sections of the plant :—
 - Chocolate mixing from powder in werner mixers and melanger.
 - V.G. crumb platform in chocolate mill.
 - Feeding cocoa weighing room weighing machines.
 - Icing sugar mill.
 - Cocoa mill.
 - Mogul machine work.

PROHIBITED WORK.

- 6. (a) No. female under the age of eighteen (18) years shall be permitted to lift or carry more than 25 lb. in weight, and no female over eighteen (18) years shall be permitted to lift or carry more than 30 lb. in weight or stir confectionery or any other ingredients over 30 lb. in weight.
- (b) Males under 18 years of age shall not be permitted to pull trucks or any other conveyances of a greater load than 5 cwt. gross weight.

HOURS.

- 7. The ordinary working hours shall not exceed 44 per week to be worked in five days of 8 hours 48 minutes each to be worked continuously, except for a meal break as prescribed, between 7 a.m. and 5.30 p.m. on Monday to Friday inclusive. Provided that the spread of hours herein prescribed may be altered by mutual agreement between an employer and his employees.

MEAL BREAKS.

8. (a) Employees shall be allowed a meal break of not less than half an hour between the hours of noon and 2 p.m. on each day Monday to Friday inclusive.

(b) An employee shall not be worked for more than five hours without a break for a meal.

(c) All time worked during the time ordinarily observed by an employee as his or her meal break shall be paid for at the rate of double time.

SMOKE OR REST PERIOD.

9. All employees shall be allowed a ten minute smoke or rest period each morning.

CONTRACT OF EMPLOYMENT.

10. (a) Employment shall be by the week and shall be terminated by a week's notice on either side, such notice to be given at any time during the week. This shall not affect the right of an employer to dismiss an employee without notice for malingering, inefficiency, neglect of duty, or misconduct (and in such cases wages shall be paid up to the time of dismissal only), or to deduct payment for any day the employee cannot be usefully employed because of any strike by the Association or any other organization or association or through any breakdown of machinery or any stoppage of work by any cause which the employer cannot reasonably prevent, or through slackness of work, or through the closing of factories between Christmas and New Year. This clause shall not apply to workers on night shift.

(b) Any employee not attending for duty shall lose his or her pay for the actual time of such non-attendance unless he or she produces or forwards within 48 hours of the commencement of such absence evidence satisfactory to the management that his or her non-attendance was due to personal accident arising out of and in the course of his or her employment or to personal ill health necessitating such absence:

Provided that an employee shall not be entitled to payment for non-attendance on the ground of personal accident or personal ill health or both for more than 44 hours of working time in each year.

SHIFT WORK.

11. For the purposes of this clause:—

(1) "Afternoon shift" means any shift finishing after 6 p.m. and at or before midnight.

"Night shift" means any shift finishing subsequent to midnight and at or before 9 a.m.

"Rostered shift" means a shift of which the employee concerned has had 48 hours notice.

(2) (a) The ordinary hours of shift workers shall not exceed—44 in any week to be worked in five shifts of 8 hours 48 minutes on Monday to Friday inclusive.

(b) Such ordinary hours shall be worked continuously except for meal breaks at the discretion of the employer. An employee shall not be required to work for more than five hours without a break for a meal.

(c) Except at regular change-over of shifts an employee shall not be required to work more than one shift in each 24 hours.

(d) Shift workers whilst on afternoon or night shifts shall be paid 10 per cent. more than ordinary rates for such shifts. The minimum payment for an adult on afternoon or night shift shall be 10s. per week. Juniors shall receive the adult general hand rate.

(e) Subject to this sub-clause shift workers for all time worked on a Sunday or holiday shall be paid at the rates prescribed for holidays and Sunday work. Where shifts commence between 11 p.m. and midnight on Sundays and/or holidays, the time so worked before midnight shall not entitle the employee to the Sunday or holiday rate; provided that the time worked by an employee on a shift commencing before midnight on the day preceding a Sunday or holiday and extending into a Sunday or holiday shall be regarded as time worked on such Sunday or holiday.

(f) Shift workers for all time worked in excess of or outside the ordinary working hours or on a shift other than a rostered shift shall be paid at the rate of time and a half for the first four hours and double time thereafter except when the time is worked

(i) by arrangement between the employees themselves;

(ii) for the purpose of effecting the customary rotation of shifts.

(g) Shift workers who work on any afternoon or night shift which does not continue for at least five successive afternoons or nights shall be paid at the rate of time and a half.

(h) Female shift workers whilst on afternoon and night shifts, shall be paid not less than the rates hereinbefore prescribed or 1s. per shift whichever is the higher.

(i) The method of working shifts may in any case be varied by agreement between the employer and the union to suit the circumstances of the establishment.

OVERTIME AND SUNDAY WORK.

12. (a) All time worked outside the ordinary hours shall be paid for at the rate of time and a half for the first four hours and double time thereafter.

(b) All time worked on a Sunday shall be paid for at the rate of double time.

(c) A male employee who is called upon to work overtime beyond one hour and who has not been notified when ceasing work on the previous day that he is required to work overtime shall be supplied with a meal or be paid an allowance of 1s. 6d. If such notice as aforesaid is given and the employee attends and is not required to work overtime he shall be paid the 1s. 6d. allowance. A female employee shall be paid 1s. 6d. meal allowance on any day which she is required to work overtime.

HOLIDAYS.

13. (a) All employees shall be entitled without loss of pay to the following holidays or any days observed in lieu thereof:—New Year's Day, Australia Day, Good Friday, Easter Monday, Labour Day, King's Birthday, Christmas Day, Boxing Day, Melbourne Cup Day, and Union Picnic Day.

(b) "Union Picnic Day" shall be a day (other than a Saturday or Sunday) set apart for the holding of a picnic, and such day shall be arranged between the employers and the Union and no employee shall be entitled to payment for such day unless a ticket for the picnic has been purchased.

(c) Employees working on any of the holidays mentioned in sub-clause (a) hereof shall in addition to the prescribed wage be paid at the rate of ordinary time for the time worked with a minimum payment as for four hours.

(d) An employer shall not terminate the employment of an employee for the purpose of evading payment for the holidays mentioned in sub-clause (a) hereof.

(e) Employees shall be entitled to and receive payment for the holidays as prescribed in sub-clause (a) hereof, provided that they shall be available for duty on the last working day their services are required preceding and the first working day following such holiday, provided that the employees may be absent with the consent of either the manager or the head of the department in which the employee is working.

(f) Pieceworkers working on any of the holidays mentioned in sub-clause (a) hereof shall in addition to the piecework earnings be paid at the rate of ordinary time for such holiday.

ANNUAL LEAVE.

14. (a) Except as hereinafter provided, a period of 14 consecutive days' leave shall be allowed annually to an employee after twelve months' continuous service (less the period of annual leave) as an employee in any one or more of the occupations to which this Determination applies.

Seven-day Shift Workers.

(b) In addition to the leave hereinbefore prescribed seven-day shift workers, that is shift workers who are rostered to work regularly on Sundays and holidays shall be allowed seven consecutive days' leave including non-working days.

Where an employee with twelve months' continuous service is engaged for part of the twelve-monthly period as a seven-day shift worker, he shall be entitled to have the period of fourteen consecutive days' annual leave prescribed in sub-clause (a) hereof increased by half a day for each month he is continuously engaged as aforesaid.

Annual Leave Exclusive of Public Holidays.

(c) Subject to this sub-clause the annual leave prescribed by this clause shall be exclusive of any of the holidays prescribed by clause 13 of this Determination and if any such holiday falls within an employee's period of annual leave and is observed on a day which in the case of that employee would have been an ordinary working day there shall be added to that period one working day for each such holiday falling as aforesaid.

Where a holiday falls as aforesaid and the employee fails without reasonable cause proof whereof shall be upon him to attend for work on the working day immediately preceding the first day or at his ordinary starting time on the working day immediately following the last day of the period of his annual leave he shall not be entitled to be paid for any such holiday.

Broken Leave.

(d) The annual leave shall be given and taken in a continuous period or, if the employer and employee so agree, in two separate periods and not otherwise.

Calculation of Continuous Service.

(e) For the purpose of this clause service shall be deemed to be continuous notwithstanding—

- (i) any interruption or determination of the employment by the employer if such interruption or determination has been made merely with the intention of avoiding obligations hereunder in respect of leave of absence;
- (ii) any absence from work on account of sickness or accident or on account of leave lawfully granted by the employer;
- or
- (iii) any absence with reasonable cause proof whereof shall be upon the employee.

In calculating the period of twelve months' continuous service any such absence as aforesaid shall not except to the extent of not more than 14 days in a twelve-monthly period in the case of sickness or accident, be taken into account in calculating the period of twelve months' continuous service.

In cases of personal sickness or accident or absence with reasonable cause the employee to become entitled to the benefit of this clause shall, within 48 hours of the commencement of his absence, submit evidence satisfactory to the employer that his absence is due to personal sickness, accident or reasonable cause and shall if practicable inform the employer in writing of the nature of the illness injury or other cause of absence and the estimated duration of absence.

Any absence from work by reason of any cause not being a cause specified in this clause shall not be deemed to break the continuity of service for the purposes of this clause unless the employer during the absence or within 14 days of the termination of the absence notifies the employee in writing that such absence will be regarded as having broken the continuity of service.

In cases of individual absenteeism such notice shall be given in writing to the employee concerned, but in cases of concerted or collective absenteeism notice may be given to employees by the posting up of a notification in the plant, in the manner in which general notifications to employees are usually made in that plant and by posting to the union whose members have participated in such concerted or collective absenteeism a copy of same not later than the day it is posted up in the plant.

A notice to an individual employee may be given by delivering same to him personally or by posting it to his last recorded address in which case it shall be deemed to have reached him in due course of post.

Calculation of Service.

(f) Service before 1st January, 1946, shall be taken into consideration for the purpose of calculating annual leave but an employee shall not be entitled to leave or payment in lieu thereof for any period in respect of which leave or a payment in lieu thereof has been made under the clause hereby varied. Provided however, that in respect of service before the 1st January, 1946, the annual leave shall be allowed at the rate of 3½ hours for each completed one month of continuous service and in respect of service after that date at the rate of 7½ hours for each completed one month of service. Any broken part of a month served before the 1st January, 1946, shall for the purpose of this clause be deemed to be service after the 1st January, 1946. The period of annual leave to be allowed under this sub-clause shall be calculated to the nearest day any broken part of a day in the result not exceeding half a day to be disregarded.

Where the employer is a successor or assignee or transferee of the business if an employee was in the employment of the employer's predecessor at the time when he became such successor or assignee or transferee the employee in respect of the period during which he was in the service of the predecessor shall for the purpose of this clause be deemed to be in the service of the employer.

Calculation of Month.

(g) For the purpose of this clause a month shall be reckoned as commencing with the beginning of the first day of employment or period of employment in question and as ending at the beginning of the day which in the latest month in question has the same date number as that which the commencing day had in its month and if there is no such day in such subsequent month shall be reckoned as ending at the end of such subsequent month.

Leave to be Taken.

(h) The annual leave provided for by this clause shall be allowed and shall be taken and except as provided by sub-clause (1) hereof payment shall not be made or accepted in lieu of annual leave.

Time for Taking Leave.

(i) Annual leave shall be given at a time fixed by the employer within a period not exceeding six months from the date when the right to annual leave accrued and after not less than two weeks' notice to the employee.

Leave Allowed Before Due Date.

(j) An employer may allow annual leave to an employee before the right thereto has accrued due but where leave is taken in such a case a further period of annual leave shall not commence to accrue until after the expiration of the twelve months in respect of which annual leave has been taken before it is accrued.

Where leave has been granted to an employee pursuant to this sub-clause before the right thereto has accrued due and the employee subsequently leaves or is discharged from the service of the employer before completing the twelve months continuous service in respect of which the leave was granted the employer may for each one complete month of the qualifying period of twelve months not served by the employee deduct from whatever remuneration is payable upon the termination of the employment one twelfth of the amount of wage paid on account of annual leave, which amount shall not include any sums paid for any of the holidays prescribed by clause 13 of this Determination.

Payment for Period of Leave.

(k) Each employee before going on leave shall be paid two weeks' wages except a seven-day shift worker who shall be paid the amount of wage he would have received in respect of the ordinary time which he would have worked had he not been on leave during the relevant periods. For the purpose of this sub-clause and sub-clause (1) hereof wages shall be at the rate prescribed by clauses 2, 4 and 5 of this Determination for the occupation in which the employee was ordinarily employed prior to the commencement of his leave or the termination of his employment as the case may be. Payment in the case of employees employed on piece or bonus work or any other system of payment by results shall be at time rates.

Proportionate Leave on Dismissal.

(l) If after one month's continuous service in any qualifying twelve-monthly period an employee lawfully leaves his employment or his employment is terminated by the employer through no fault of the employee the employee shall be paid at his ordinary rate of wage for 3½ hours in respect of each completed one month of continuous service before the 1st January, 1946, and for 7½ hours at the same rate in respect of each completed month of continuous service after that date, the service in each case being service in respect of which leave has not been granted hereunder.

Annual Close Down.

(m) Where an employer closes down his plant, or a section or sections thereof, for the purpose of allowing annual leave to all or the bulk of the employees in the plant, or section or sections concerned, the following provisions shall apply—

- (i) He may by giving not less than one month's notice of his intention so to do, stand off for the duration of the close down all employees in the plant or section or sections concerned, and allow to those who are not then qualified, for two full weeks' leave paid leave on a proportionate basis of one-sixth of a week's leave for each completed month of continuous service.
- (ii) An employee who has then qualified for two full weeks' leave and has also completed a further month or more of continuous service shall be allowed his leave and shall also be paid one-sixth of a week's wages in respect of each completed month of continuous service performed since the close of his last twelve-monthly qualifying period.
- (iii) The next twelve-monthly qualifying period for each employee affected by such close down shall commence from the day on which the plant, or section or sections concerned is reopened for work.
- (iv) If in the first year of his service with an employer an employee is allowed proportionate annual leave under paragraph (i) hereof, and subsequently within such year lawfully leaves his employment or his employment is terminated by the employer through no fault of the employee, he shall be entitled to the benefit of sub-clause (i) of this clause subject to adjustment for any proportionate leave which may have been allowed as aforesaid.

Disputes.

(n) Any dispute arising in connexion with annual leave shall be referred to the Wages Board for decision.

PAYMENT OF WAGES.

15. (a) All wages shall be paid not later than Friday in each week.

(b) An employer shall not keep more than two days' pay in hand:

Provided that in those cases in which three days' pay was on the 20th day of November, 1939, kept in hand the employer may continue to keep not more than that number of days' pay in hand.

(c) If an employee leaves his or her employment or is dismissed he or she shall, provided that the necessary money is then available at the factory office be paid his or her wages upon leaving or being dismissed.

(d) All wages shall be paid during working hours.

MIXED FUNCTIONS.

16. When an employee is put to work temporarily on work of a classification higher than that under which he or she was engaged or deemed to be working, he or she shall be paid the higher rate prescribed for the higher classification for the time he or she is occupied upon such work.

DINING ROOM ACCOMMODATION.

17. The employer shall provide for employees proper dining room accommodation and a sufficient quantity of boiling water at meal hours. The employer shall also provide a heating apparatus in the dining room where more than three females are employed.

WASHING FACILITIES.

18. The employer shall provide suitable washing facilities for employees.

LOCKERS AND DRESSING ROOM.

19. The employer shall provide a cloak and dressing room, and suitable lockers for the use of female employees.

OVERALLS AND TOOLS OF TRADE.

20. (a) Where an employee is required by the employer to wear overalls, caps, uniforms, aprons, &c., other than those normally worn in his or her occupation the employer shall supply the same.

(b) The employer shall provide all tools of trade required and used by employees in the course of their employment.

SEATING ACCOMMODATION (FEMALES ONLY).

21. Where practicable the work of the employee shall be performed sitting or standing, whichever is the more convenient. Where practicable the employees shall have the right to change the position of the work either from sitting to standing or from standing to sitting position at any time they feel disposed during working hours unless impracticable owing to the nature of the work.

FIRST AID.

22. The employer shall provide and maintain in every factory or workshop a properly equipped first aid ambulance chest, which shall be a suitable dustproof receptacle made of either metal or wood and shall make it available for the use of employees in some accessible place in the said factory or workshop.

UNION BUSINESS.

23. (a) Officials of the Federated Confectioners Association of Australia and The Federated Storeman and Packers Union of Australia may absent themselves from work without pay to attend to the business of the Association, or Union if they give at least one day's notice to the employer.

(b) An employer shall not prevent the secretary of such Association or Union or any official thereof authorized by the Association or Union from visiting or conversing with the members of the Association or Union at meal times or before or after the hours of work in a place mutually agreed upon by the employer or his works manager and the Association or Union secretary or other authorized official.

FACILITIES FOR UNION OFFICERS AND MEMBERS (FEMALES ONLY).

24. At each factory reasonable facilities shall be afforded members and officers of the Female Confectioners Union to interview the employees during lunch time, and for the necessary working connexion with the Union, and the Union shall be permitted to post a copy of the Determination and the Union notices on a board in a prominent position in each factory.

TIME AND WAGES BOOK.

25. (a) Each employer shall keep at his factory or at an office convenient thereto a time and wages book in which he shall enter or cause to be entered the name and classification of each employee, the times of starting and ceasing work each day, the amount of overtime worked and the wages and overtime paid to each employee.

(b) Such book shall, on demand, be produced by the employer for inspection to an official of the Federated Confectioners Association of Australia, Female Confectioners Union, or The Federated Storeman and Packers Union of Australia duly authorized in writing, by the president or secretary of the local branch of the Association or Union concerned at the place where the book is kept at any time between the hours of 10 a.m. and noon on any day except pay day or the day before pay day between the 1st to the 27th inclusive of each calendar month.

No authority to inspect shall be given by the Association or Union concerned unless the president or secretary has good reason to suspect that the employer, whose book is to be inspected, is committing or has committed a breach of this Determination.

(c) Any employer who provides a mechanical clock for the purpose of recording the time of employees may for the purpose of this clause and in lieu of a time and wages book keep the cards or check used in connexion with such clock if such card or check contain the particulars prescribed by sub-clause (a) hereof.

PIECEWORK (FEMALES ONLY).

26. Any employer may fix and pay piecework prices to any person or class of persons employed at any work which the minimum wage has been provided for under this Determination, provided that any such employer shall base such piecework prices on the earnings of an average adult worker, with reasonable effort, working under like conditions, at the weekly adult minimum rate and such piecework prices shall be fixed so that an average worker can earn no less than 10 per cent. above the adult wages that are fixed by this Determination for such work.

Any alteration to the minimum wage shall apply to pieceworkers by adding to, or subtracting from the same amount to the pieceworkers wage.

In the event of a pieceworker being placed on new work not earning the adult minimum wage through no fault of her own, she shall be paid the existing adult wage.

WAITING TIME FOR PIECEWORKERS (FEMALES ONLY).

27. Pieceworkers who are waiting for work on or about the factory or workshop of the employer must be paid for such waiting time a sum calculated on the basis of the weekly wage.

OVERTIME RATES FOR PIECEWORKERS (FEMALES ONLY).

28. All work performed before or after the regular working hours as per clause 7 shall be paid for at piecework rates plus 50 per centum for the first four hours and thereafter at double the ordinary piecework rates.

All overtime rates earned by a pieceworker shall be paid in full and no deduction shall be made from such overtime rates by reason of any time not worked by such employee.

PERIODICAL ADJUSTMENT OF WAGES.

29. The wages rates set out in clause 2 are based upon the following basic wage rates, and, pursuant to the provisions of section 21 of the *Factories and Shops Act 1934*, the Board hereby determines that such rates shall be automatically adjusted as prescribed by clause 30.

Provided that the wages of Junior males (assisting the Storeman and Packer) shall be adjusted proportionately to adjustments of the needs basic wage, such adjustments to be calculated to the nearest threepence, half or less than half of threepence to be disregarded.

BASIC WAGE.

Place.	Needs Basic Wage (Adjustable).	Loading (Constant).	Total Basic Wage for Adult Males.	Minimum Wage for Adult Females.	Index Number Set Assigned.
	Per Week. £ s. d.	Per Week. £ s. d.	Per Week. £ s. d.	Per Week. £ s. d.	
Throughout the State	5 1 0	0 6 0	5 7 0	4 2 6	Melbourne

ADJUSTMENT OF BASIC WAGE

30. (a) For the purposes of this Determination the expression "Commonwealth Statistician's 'all items' Retail Price Index Numbers" or any like expression means the numbers stated to be such Index numbers in any document purporting, and not proved to be wrongly so purporting, to be printed by the Commonwealth Government Printer or to be signed by or on behalf of the Commonwealth Statistician.

(b) Until the beginning of the first pay period to commence in August, 1947, the amounts of the basic wage shall be as prescribed in clause 29.

(c) During each future successive period beginning with the first pay period to commence in an August, a November a February, or a May, the amounts of the needs basic wage shall be adjusted by the following method, namely, by multiplying the last published Commonwealth Statistician's "All Items" Retail Price Index Number by the factor .087 taken to one place of decimals, the resultant whole number being the amount of the basic wage expressed in shillings, but should the decimal number reach .5 or more the basic wage shall be taken to the next higher shilling.

(d) The amounts of the adjustable rates are fixed on a needs basic wage of £3 19s. and a minimum wage for adult females of £4 2s. 6d, and such rates shall be adjusted proportionately to the needs basic wage and minimum wage for adult females respectively, calculated in the case of males to the nearest sixpence, any broken part of sixpence in the result not exceeding threepence to be disregarded and in the case of females to the nearest threepence half or less than half of threepence to be disregarded.

Such adjustments are to be made upon the following rates:—

Apprentices and Improvers.				Juvenile Workers.—Males under 21 Years of Age, other than Apprentices or Improvers.			
<i>Females.</i>				<i>General Hands.</i>			
			<i>s. d.</i>		Rate Adjustable.	Loading Constant.	Total
16 years of age and under	34 0	15 years of age and under	22 0	0 6	22 6
17 years of age	41 6	16 years of age	28 0	0 9	28 9
18 years of age	52 0	17 years of age	35 6	1 0	36 6
19 years of age	61 0	18 years of age	50 6	1 0	51 6
20 years of age	70 3	19 years of age	60 0	2 0	62 0
				20 years of age	64 0	2 0	66 0
<i>All Other Males.</i>							
	Rate Adjustable.	Loading Constant.	Total.				
15 years of age and under	22 0	0 6	22 6				
16 years of age	28 0	0 9	28 9				
17 years of age	35 6	1 0	36 6				
18 years of age	50 6	1 0	51 6				
19 years of age	60 0	2 0	62 0				
20 years of age	64 0	2 0	66 0				

P. A. RANDELS, J. P., Chairman.

J. V. WILLOX, Secretary.

Melbourne, 28th May, 1947.



VICTORIA
GOVERNMENT GAZETTE.

Published by Authority.

[Registered at the General Post Office, Melbourne, for transmission by post as a newspaper.]

No. 313]

WEDNESDAY, JULY 9.

[1947

PUBLIC HOLIDAYS.

PROCLAMATION

By His Excellency the Governor of the State of Victoria and its Dependencies in the Commonwealth of Australia, &c., &c., &c.

IN pursuance of the provisions contained in Part III. of the *Public Service Act 1946* (10 Geo. VI. No. 5124), I, the Governor of the State of Victoria, in the Commonwealth of Australia, by and with the advice of the Executive Council of the said State, do by this my Proclamation appoint the days and dates hereunder mentioned to be observed as Public Holidays or Public Half-Holidays (as the case may be) at the places respectively specified, viz.:-

Public Holidays:-

FRIDAY, 31ST OCTOBER, 1947, throughout the Shire of East Loddon.

MONDAY, 21ST JULY, 1947, throughout the Shire of Yea.

WEDNESDAY, 19TH NOVEMBER, 1947, throughout the Shire of Omeo.

Public Half-Holiday from the Hour of Twelve o'clock noon:-

THURSDAY, 11TH SEPTEMBER, 1947, throughout the Shire of Arapiles.

Given under my Hand and the Seal of the State of Victoria aforesaid, at Melbourne, this eighth day of July, in the year of our Lord One thousand nine hundred and forty-seven, and in the eleventh year of the reign of His Majesty King George VI.

(L.S.)

WINSTON DUGAN.

By His Excellency's Command,

W. SLATER,
Chief Secretary.

GOD SAVE THE KING!

APPRENTICESHIP COMMISSION OF VICTORIA.

APPRENTICESHIP TRADES PROCLAIMED.

PROCLAMATION

By His Excellency the Governor of the State of Victoria and its Dependencies in the Commonwealth of Australia, &c., &c., &c.

IN pursuance of the provisions of section 13, sub-section (4) of the *Apprenticeship Act 1928*, I, the Governor of the State of Victoria, in the Commonwealth of Australia, by and with the advice of the Executive Council in the said State, do by this my Proclamation proclaim the trades set out hereunder as carried on in the whole of the State of Victoria, outside and excepting the metropolitan district, to be apprenticeship trades, viz.:-

CARPENTRY AND/OR JOINERY.

Given under my Hand and the Seal of the State of Victoria aforesaid, at Melbourne, this eighth day of July, in the year of our Lord One thousand nine hundred and forty-seven, and in the eleventh year of the reign of His Majesty King George VI.

(L.S.)

WINSTON DUGAN.

By His Excellency's Command,

P. J. CLAREY,
Minister of Labour.

GOD SAVE THE KING!

APPOINTMENTS.

HIS Excellency the Governor of the State of Victoria, by and with the advice of the Executive Council thereof, has, by Orders made on the 1st day of July, 1947, been pleased to make the under-mentioned appointments, viz.:—

DEPARTMENT OF CHIEF SECRETARY.
Assistant to Inspector of Fisheries.

WILLIAM BORDERICK,
pursuant to the provisions of the Fisheries Acts, to be an Assistant to the Inspector of Fisheries.

DEPARTMENT OF FORESTS.

Acting Commissioner of Forests.

FINTON GEORGE GERRATY, Chief Inspector of Forests, to act as a Commissioner of Forests during the period of absence from Victoria of Alfred Andrew Hone, to date from and inclusive of the 11th June, 1947, pursuant to the provisions of section 9 of the *Forests Act 1928* (No. 3685). (Published in lieu of the Notice appearing in the *Gazette* of the 18th June, 1947.)

Forests Commissioner.

FINTON GEORGE GERRATY
to be a Forests Commissioner for the period commencing from the 1st July, 1947, to the 31st December, 1950, in pursuance of the provisions of section 9 of the *Forests Act 1928*.

Examiner, Forest Examination Board.

RICHARD ORMOND CHERRY, M.Sc.,
to act as an examiner under the Forest Examination Board, in accordance with the provisions of section 28 of the said Act, and to receive the fees prescribed therefor, in pursuance of the provisions of the *Forests Act 1928*.

DEPARTMENT OF LANDS AND SURVEY.

Bailiff of Crown Lands.

RAYMOND BLAIR BELL, of Werribee,
to be a Bailiff of Crown Lands, without salary.

DEPARTMENT OF LAW.

Magistrates.

CAMPBELL KNOX CHAPMAN, Alexandra, and
MICHAEL CHARLES DELANEY, 29 Lorimer-avenue, Merlynston,
to keep the Peace in the Central Bailiwick of the State of Victoria.

Commissioners for Taking Declarations, &c.

CLARENCE WALTER IVAN PEDERSEN, Warragul, and
CHARLES BERTRAM CRASE, Henty House, 499 Little Collins-street, Melbourne,
to be Commissioners for taking Declarations and Affidavits, pursuant to the provisions of Division 8 of Part IV. of the *Evidence Act 1928*, and to resign upon removing from the neighbourhood of the address stated.

Probation Officer.

JOAN ELAINE TIEMAN, Ramsay Mailer Motive Club, Oxford-street, Collingwood,
to be a Probation Officer, pursuant to the provisions of section 8 of the *Children's Court Act 1928*, for the Children's Court at Collingwood.

Sheriff's Bailiff's, &c.

HUGH NAILON, Senior Constable of Police, Ararat,
to be also a Sheriff's Bailiff and a Bailiff of the County Court at Ararat, in the place of W. Nimmo, deceased, with fees; and

JOHN ALBERT SLEETH, Sergeant of Police, Ballarat, and
CLIFFORD WILLIAM McCAHON, Senior Constable of Police, Ballarat,
to be also Sheriff's Bailiffs and Bailiffs of the County Court and Court of Mines at Ballarat.

DEPARTMENT OF TREASURER.

Registrar under Real Estate Agents Act 1930, &c.

ROY EDWIN PERRY STAFFORD, Department of Treasurer,
to be Registrar under the *Real Estate Agents Act 1930*, the *Business Agents Act 1930*, and the *Money Lenders Act 1938*, without additional salary, as from and inclusive of the 14th July, 1947.

DEPARTMENT OF WATER SUPPLY.

Waterworks Trust Commissioner.

WILLIAM THOMAS WOODSELL
to be a Commissioner of the Glenrowan Waterworks Trust, and to hold such position during the present term of office of J. E. Bowdern, as a Councillor for the Mokoan Riding of the Shire of Benalla, subject to the provisions of the Water Acts.

C. W. KINSMAN,
Clerk of the Executive Council.

At the Executive Council Chamber,
Melbourne, the 1st July, 1947.

RESIGNATIONS.

HIS Excellency the Governor of the State of Victoria, by and with the advice of the Executive Council thereof, has, by Orders made on the 1st day of July, 1947, accepted the resignations of the persons named hereunder of the offices mentioned, viz.:—

DEPARTMENT OF LAW.

CHARLES REGINALD MILES, as a Probation Officer, pursuant to the provisions of the *Children's Court Act 1928*, for the Children's Court at Fitzroy.
LEONARD SHERWIN BAYLEY, of Blackburn, from the Commission of the Peace for the Central Bailiwick of Victoria.

C. W. KINSMAN,
Clerk of the Executive Council.

At the Executive Council Chamber,
Melbourne, 1st July, 1947.

PUBLIC SERVICE OF VICTORIA.—VACANCIES.

APPPLICATIONS will be received by the Public Service Board up to Saturday, the 26th July, 1947, from persons employed in the Public Service of Victoria, who are eligible and qualified, for appointment to the under-mentioned positions:—

ADMINISTRATIVE DIVISION.

Public Service Inspector, Class "B1," Office of the Public Service Board, Department of Premier.

Yearly Salary.—£592, minimum; £722, maximum.

Duties.—As prescribed by section 44 (2) of the *Public Service Act 1946*.

Qualifications.—To possess a Diploma of Public Administration or other appropriate qualification, to have a good knowledge of the Public Service Act and the Regulations thereunder, and of the general organization and working of Departments; to have had experience in investigation work and in the compilation of reports; to be competent to carry out investigations into all phases of departmental organization and procedure, including staffing and classification matters, and office efficiency.

Clerk, Class "C," Scholarship and Transport Branch, Department of Public Instruction.

Yearly Salary.—£449, minimum; £501, maximum.

Duties.—To assist the head of the branch; to deal with applications for allowances to pupils; to arrange for awards of scholarships and studentships, for reports on scholarship holders, and to keep records connected therewith; to supervise the passing for payment of accounts in connexion with scholarships and pupils' allowances.

Qualifications.—To have a good knowledge of the Victorian education system in so far as it relates to post-primary education, and of the regulations relating to scholarships, studentships, and conveyance, and to be familiar with departmental organization and procedure.

Clerk, Class "C," Stores Branch, Department of Public Instruction.

Yearly Salary.—£449, minimum; £501, maximum.

Duties.—To assist the head of the branch; to supervise the checking recording, and costing of requisitions for Government Departmental stores, the keeping of the school text-book account and the correspondence arising therefrom, the accounting for all goods and material issued to schools, and the placing of orders for stores and equipment purchased; and to prepare estimates for contracts.

Qualifications.—To have a sound knowledge of commercial practice and procedure, of general merchandise, of audio and visual education equipment, of the Education Acts and Regulations, of the Stores and Transport Regulations, and of the Public Accounts Regulations.

Clerk, Class "C," Examinations Branch, Department of Public Instruction.

Yearly Salary.—£449, minimum; £501, maximum.

Duties.—To assist the head of the branch; to assist in arrangements for conducting departmental examinations for teachers and pupils; to arrange for the supply of materials used in connexion with examinations; and to supervise the despatch of examination papers to centres.

Qualifications.—To have a sound knowledge of the Regulations and Syllabuses relating to departmental examinations, and of the requirements in regard to the qualifications and classification of teachers; to be familiar with departmental organization and procedure.

Clerk, Class "C," Teachers' Branch, Department of Public Instruction.

Yearly Salary.—£449, minimum; £501, maximum.

Duties.—Under the officer in charge to keep a check on the staffing of primary schools and to assist in the general work of the branch, the advertising of vacancies for permanent appointment, and the adjustment of staffing of schools to the requirements of the prescribed schedule.

Qualifications.—To have a good knowledge of the Teaching Service Act and the Regulations thereunder; to possess ability and the necessary experience to draft important letters and statements; and to be familiar with departmental organization and procedure.

Clerk, Class "C," Technical Schools Branch, Department of Public Instruction.

Yearly Salary.—£449, minimum; £501, maximum.

Duties.—To assist to compile details and statistics for statements and reports; to deal with claims for expenditure in connexion with special equipment grants to technical schools; and to be responsible for the keeping of records of teachers in technical schools.

Qualifications.—To have a good knowledge of the Acts, Regulations, and procedure in all matters relating to technical schools, and to teachers employed therein; to possess good organizing ability; and to be familiar with departmental organization and procedure.

Clerk, Class "C," Buildings Branch, Department of Public Instruction.

Yearly Salary.—£449, minimum; £501, maximum.

Duties.—To assist the head of the branch; to assist in dealing with proposals for the establishment and closing of schools, selection of sites, leasing of buildings, supply and repair of furniture, remodeling and repairs to school buildings and residences; and to arrange for insurance of equipment and furniture.

Qualifications.—To understand plans of buildings; to be familiar with building terms and methods; and to possess a sound knowledge of departmental organization and procedure.

Clerk, Class "D," Stamp Duties Branch, Department of Treasurer.

Yearly Salary.—£286, minimum; £436, maximum—successful applicant will be paid a commencing salary of £364 a year.

Duties.—To assist in the control of the counter in the Betting Tax Branch, and dealings with all applications for betting tickets and betting licences.

Qualifications.—To have a thorough knowledge of the provisions of the Stamps Acts relating to Betting Tax, and to have had experience in their application.

PROFESSIONAL DIVISION.

Secretary, Free Library Service Board, Class "B1," Public Library Branch, Department of Chief Secretary.

Yearly Salary.—£592, minimum; £722, maximum.

Duties.—To be Secretary to the Board, to keep records of all meetings of the Board, and to perform other duties as directed by the Board.

Qualifications.—To possess a sound knowledge of, and experience in, library practice and administration, with ability to advise on all technical processes associated with adults' and children's libraries; to be capable of keeping financial and statistical records of the Board; to have organizing ability and some experience in public speaking, and to be of good address and personality. A University degree or its equivalent is desirable.

Senior Inspecting Clerk of Courts, Class "B1," Courts, Department of Law.

Yearly Salary.—£592, minimum; £722, maximum.

Duties.—To perform the duties of the office.

Qualifications.—To have passed the Police Magistrates Qualifying Examination, and have had at least ten years' experience as a Clerk of Courts, and to possess a thorough knowledge of the duties of such office and those of the office of receiver and paymaster.

Dairy Engineering Research Officer, Class "B," Department of Agriculture.

Yearly Salary.—£592, minimum; £644, maximum.

When residence, the erection of which has been approved, is provided at the School of Dairy Technology, Werribee, the appointee will be required to reside in it, and will be subject to a charge of 10 per cent. of salary for rent, fuel, light, power, and water.

Duties.—To undertake investigations into the design, operation, management, and servicing of milking machines and other dairy machinery; to carry out demonstrations and extension work in the care and operation of all kinds of dairy equipment, and to give instruction in Dairy Engineering to students at the School of Dairy Technology as directed.

Qualifications.—A degree in engineering, chemical engineering, or applied science. A knowledge of dairy machinery and some knowledge of bacteriology. Previous experience in the dairy industry is desirable. Applicants should furnish evidence of experience with the dairy and/or other industry.

Dairy Research Officer (Bio-Chemist), Class "B," Department of Agriculture.

Yearly Salary.—£592, minimum; £644, maximum.

When residence, the erection of which has been approved, is provided at the School of Dairy Technology, Werribee, the appointee will be required to reside in it and will be subject to a charge of 10 per cent. of salary for rent, fuel, light, power, and water.

Duties.—To conduct research into problems associated with dairying and give lectures and demonstrations at the School of Dairy Technology, Werribee.

Qualifications.—A degree in biochemistry or a degree in chemistry with biochemistry as a major subject. Applicants should furnish evidence of experience with the dairy and/or other industry.

Dairy Research Officer (Bacteriologist), Class "B," Department of Agriculture.

Yearly Salary.—£592, minimum; £644, maximum.

When residence, the erection of which has been approved, is provided at the School of Dairy Technology, Werribee, the appointee will be required to reside in it and will be subject to a charge of 10 per cent. of salary for rent, fuel, light, power, and water.

Duties.—To conduct research work into problems associated with the dairying industry; to give lectures and demonstrations at the School of Dairy Technology, Werribee, and to carry out surveys at dairy factories.

Qualifications.—A degree in science or agricultural science, with bacteriology as the major subject, or with extensive post-graduate experience in bacteriology. Applicants should furnish evidence of experience with the dairy and/or other industry.

Draughtsman, Class "C," Department of Public Works.

Yearly Salary.—£449, minimum; £501, maximum.

Duties.—To prepare, under direction, plans, specifications, and estimates of electrical installations and services in all types of public buildings.

Qualifications.—To have completed a technical school diploma course in electrical engineering, or a major part thereof, to have had a wide practical outside and drawing office experience in electric light and power, and to possess a good knowledge of the design and layout of electric light and power installations, including illumination design of all types, both office and industrial.

TECHNICAL AND GENERAL DIVISION.

Senior Dairy Supervisor, Department of Agriculture.

Yearly Salary.—£423, minimum; £462, maximum.

Duties.—To assist in the administration of the Milk and Dairy Supervision Act in an allotted area, and to control and co-ordinate the inspection and advisory work of dairy supervisors in that area.

Qualifications.—To be an experienced dairy supervisor; to have an intimate knowledge of the Milk and Dairy Supervision Act and the Regulation thereunder, and of modern dairy practice; to possess ability to direct staff and deliver lectures.

Orchard Supervisor, Grade II., Horticultural Division, Department of Agriculture.

Yearly Salary.—£319, minimum; £410, maximum.

Duties.—To inspect orchards, nurseries, and markets; to advise growers regarding treatment of diseases, mixing and applying of spray materials, pruning, cultivation, packing, manuring, draining, and all work necessary in the orchard; to direct irrigation as applied to fruit trees, scientific planning of orchards for growers, renovation of old orchards; to report on different phases of horticulture, and to carry out necessary duties under the Vegetation and Vine Diseases Act and the Fruit and Vegetables Acts.

Qualifications.—To have passed the Orchard Supervisor's examination; to have a thorough practical knowledge of fruit growing, and to have had experience in orchard supervision work.

Tomato Supervisor, Department of Agriculture. (Two vacancies.)

Yearly Salary.—£306, minimum; £410, maximum.

Duties.—To instruct tomato growers in the best methods of growing tomatoes under both natural rainfall and irrigation.

Qualifications.—To have a sound knowledge of commercial tomato production in the main producing areas of Victoria; to have a knowledge of commercial tomato varieties, and to be able to recognize and advise on control measures for the various tomato pests and diseases.

Warder, Penal and Gaols Branch, Department of Chief Secretary. (Two vacancies.)

Yearly Salary.—£305, minimum; £357, maximum.

Duties.—To perform duties as required in connexion with the control and supervision of male prisoners.

Qualifications.—As required by Regulation 29 of the Public Service (Public Service Board) Regulations.

Shorthand Writer and Typist (Male), Grade II., Department of Agriculture.

Yearly Salary.—£273, minimum; £351, maximum.

Duties.—To carry out shorthand writing and typing duties in the Live Stock Division and to assist generally.

Qualifications.—To be an efficient shorthand writer and typist, and to possess a good knowledge of English.

Machineman, Stamp Duties Office, Department of Treasurer.

Yearly Salary.—£284, minimum; £323, maximum.

Duties.—To assist in the embossing of instruments and to act as Embossing Examiner, when necessary.

Qualifications.—To be experienced in the working of embossing machines, and to have a knowledge of the various rates of stamp duty chargeable on bills of exchange and other instruments presenting for stamping.

Assistant Shoemaker, Mental Hospital, Mont Park, Department of Health.

Salary.—£319 a year.

Duties.—To manufacture and repair boots and shoes, and, in the absence of the Shoemaker, to take charge of the shop and the patients working there.

Qualifications.—To be a fully qualified shoemaker and repairer, and to be able to make footwear for patients with abnormal feet.

Gardener, Grade I., Botanic Gardens, Department of Lands and Survey.

Salary.—£318 a year.

Duties.—To take charge of a section of the Gardens; to attend to cultivation of same, and keep it in good order.

Qualifications.—A practical knowledge of the various processes and methods of gardening, including a knowledge of plants and their treatment. To have passed the prescribed examination as set out in Regulation 45 (b) of the Public Service (Public Service Board) Regulations.

Caretaker, Chief Secretary's Office, Department of Chief Secretary.

Yearly Salary.—£260, minimum; £312, maximum.

Duties.—To be caretaker of the Old Treasury Building, and to be responsible for its general maintenance. To supervise the cleaning of the building.

Qualifications.—To be active and energetic, with experience in general maintenance work of a large building, and ability to effect repairs of a minor character when required.

Machinist (Female), Grade III., Superannation Board and Pensions Office, Department of Treasurer.

Yearly Salary.—£247, minimum; £273, maximum.

Duties.—To operate a Remington Accounting Machine and Elliott Addressing Machine. To assist with calculations in regard to income tax deductions, and to undertake special duties in relation to the work of the Pensions Office.

Qualifications.—To be experienced in the operation of an accounting machine.

Shorthand Writer and Typist (Female), Grade II., Department of Treasurer.

Yearly Salary.—£247, minimum; £260, maximum.

Qualifications.—To be a thoroughly proficient shorthand writer and typist.

Laundress, Children's Welfare Branch, Department of Chief Secretary.

Yearly Salary.—£237, less deduction of £32 a year for quarters and rations.

Duties.—To be in charge of Laundry at the Children's Welfare Receiving Depot, Royal Park, and in control of the laundry staff.

Qualifications.—Ability to direct laundry operations and experience in the use of laundry machinery.

Assistant Cook, Children's Welfare Branch, Department of Chief Secretary.

Salary.—£233 a year, less deduction of £32 a year for quarters and rations.

Duties.—To supervise the preparation of meals for a staff of 70, and to relieve the cook when required in the preparation of meals for 300 children.

Qualifications.—To be competent and experienced in large-scale cooking.

NOTE.—In addition to the salary rates quoted, a cost of living adjustment at the rate of £32 a year in the case of females and £48 a year in the case of males is payable. The rates are subject to variation in accordance with the rise or fall in the index numbers of the cost of living.

By order,

E. F. FITZGIBBON,
Secretary.

Office of the Public Service Board,
Melbourne, 8th July, 1947.

PUBLIC SERVICE OF VICTORIA.—VACANCIES.

TEMPORARY APPOINTMENTS.

A PPLICATIONS will be received by the Public Service Board up to Saturday, the 26th July, 1947, from persons who are qualified, for appointment to the under-mentioned positions:—

Assistant Architect, Department of Public Works.

Yearly Salary.—£449, minimum; £553, maximum (commencing salary according to experience and qualifications).

Duties.—To prepare, under the direction of the Chief Architect, preliminary and contract plans, details, specifications, reports, and estimates.

Qualifications.—To be a qualified and experienced architect, competent to practice sound and efficient methods in planning, construction, and design.

Farm Overseer, Dookie Agricultural College, Department of Agriculture.

Salary.—£312 a year, less £52 a year for board and lodging.

Duties.—To assist the Farm Manager in the supervision of the work of the Farm Branch, to supervise the practical farm work of students, and to engage in such farm work as the Farm Manager may require.

Qualifications.—Sound experience in farming operations and ability to supervise the work of students and farm employees. A diploma of an agricultural college is desirable.

Motor Mechanic, Department of Public Health.

Salary.—£312 a year.

Duties.—To carry out major or minor repairs as required on departmental cars and trucks.

Qualifications.—To be an "A" grade motor mechanic or to have passed an Air Force or Army trade test as mechanic M.T., or Fitter M.V., or to hold equivalent qualification.

Garage Attendant, Department of Public Works.

Salary.—£273 a year.

Duties.—To carry out under supervision greasing and servicing of departmental motor vehicles.

Qualifications.—To be competent to carry out the duties enumerated above, to be familiar with spare parts lists, and to have a good knowledge of the motor trade.

Note.—In addition to the salary rates quoted, a cost of living adjustment at the rate of £48 a year is payable. The rates are subject to variation in accordance with the rise or fall in the index numbers of the cost of living.

By order,

E. F. FITZGIBBON,
Secretary.

Office of the Public Service Board,
Melbourne, 8th July, 1947.

**PUBLIC SERVICE (PUBLIC SERVICE BOARD)
REGULATION 36A.**

NOTICE is hereby given that the Public Service Board has raised the classification of the office of Assistant to the Marine Surveyor, Professional Division, Department of Public Works, from Class "D" to Class "C," and that the Secretary for Public Works has recommended

FRANK LEITH YOUNG

for appointment thereto.

Duties.—Under the direction of the Marine Surveyor, to prepare hydrographic charts, compute tidal predictions and astronomical phenomena, and carry out marine surveys for charts, deepening operations, and marine marks and structures.

Qualifications.—To be a competent draughtsman well versed in hydrographic survey and capable of effecting calculations in connexion therewith. To be familiar with the methods of maintenance of channels and marine demarcation in Victorian ports.

Appeals against such recommendation should be lodged with the Secretary to the Public Service Board not later than Saturday, the 19th July, 1947.

By order,

E. F. FITZGIBBON,
Secretary.

Office of the Public Service Board,
Melbourne, 8th July, 1947.

**PUBLIC SERVICE (PUBLIC SERVICE BOARD)
REGULATION 36A.**

NOTICE is hereby given that the Public Service Board has raised the classification of the office of Assistant Actuary, Professional Division, Office of the Government Statist, Department of Chief Secretary, from Class "B1" to Class "B2," and that the Under-Secretary has recommended

JOSEPH PATRICK WALDRON

for appointment thereto.

Duties.—Under the direction of the Government Statist, to supervise the work of the Actuarial Division of the Government Statist's Office. To be an Assistant Government Statist, and to be in charge of the office during the absence of the Government Statist.

Qualifications.—To have passed the second examination in Actuarial Science prescribed in the Public Service Regulations; to possess an intimate knowledge of the principles on which Friendly Societies and Superannuation Funds are based, and of the rules and methods governing the operations of Friendly Societies, and ability to interpret and apply actuarial formulæ to calculations in connexion with Friendly Societies, Superannuation Funds, &c., and to perform the administrative work of the Division.

Appeals against such recommendation should be lodged with the Secretary to the Public Service Board not later than Saturday, the 19th July, 1947.

By order,

E. F. FITZGIBBON,
Secretary.

Office of the Public Service Board,
Melbourne, 8th July, 1947.

Public Service Act 1946, Section 39.

**REGULATIONS.—PART III.—SALARIES, INCREMENTS,
AND ALLOWANCES.**

THE Public Service Board, in pursuance of the powers conferred by the *Public Service Act 1946*, hereby amends its Regulations as shown below:—

FIRST SCHEDULE.

PROFESSIONAL DIVISION.

Offices and Rates of Salaries.

Office.	Yearly Rate of Salary.	
	Minimum.	Maximum.
DEPARTMENT OF STATE FORESTS.	£	£
CLASS "B2."		
<i>Revoke—</i> Chief Superintendent of Plantations and Nurseries	670	722
CLASS "A."		
<i>Add—</i> Chief Superintendent of Plantations and Nurseries	761
CLASS "D."		
<i>Revoke—</i> Surveyor	364	436

D. D. PAINE, Chairman.

E. F. FITZGIBBON, Secretary.

Office of the Public Service Board,
Melbourne, 23rd June, 1947.

PUBLIC SERVICE (PUBLIC SERVICE BOARD) REGULATION 36A.

NOTICE is hereby given that the Public Service Board has raised the classification of the offices, the duties of and qualifications for which are set out hereunder, from Class "D" to Class "C," and that the Permanent Heads of the Departments in which such offices are classified have recommended the officers named for appointment thereto.

ADMINISTRATIVE DIVISION.

Duties.	Qualifications.	Name of Officers Recommended.
DEPARTMENT OF PREMIER.		
<i>Premier's Office.</i>		
To deal with the annual advances and accounts relating to the State Emergency Services, the office garage, relief funds, travelling expenses, and overtime, and to assist generally in the Accounts Section	To possess the requisite knowledge of the Audit Act and the General Regulations respecting Public Accounts.	Clayton, F. G. R.
<i>Audit Office.</i>		
To audit accounts, as directed by the Auditor-General	To be a qualified accountant. To have a thorough knowledge of the Audit Act and the Regulations thereunder, and to have experience in the auditing of accounts	Bohn, A. L., Comte, T. A., Semmens, N. R.
To assist in the examination of Special Accounts, and in the preparation of the annual report of the Auditor-General, and to conduct specific audits as required	To be a qualified accountant. To have a thorough knowledge of the Audit Act and the Regulations thereunder and of the Treasurer's accounts, and ability to prepare statistical statements	McGuinness, K. J.
To examine the accounts of the Forests Commission and of the various Trusts Funds which are included in the Public Account	A thorough knowledge of the Audit Act and the Regulations thereunder and of the Treasury system of accounts, and a knowledge of the legislation controlling the various Trust Funds	Turner, F. E.
DEPARTMENT OF TREASURER.		
<i>Taxation (Land Tax) Branch.</i>		
To keep details of loan raisings and redemptions in connexion with the public debt; to assist in the preparation of the budget papers and Treasurer's finance statement	A good knowledge of the Treasury system of accounts, the general regulations respecting public accounts, and the provisions of the Commonwealth and State Financial Agreement Act; accountancy qualifications are desirable	Aldridge, T. G.
To have charge, under the direction of the Chief Assessor, of a section of the assessing staff; to deal with correspondence relating to involved cases	To have had experience in assessing duties, and to possess a good knowledge of the Land Tax Acts and Regulations	McMullen, E. G. E.
DEPARTMENT OF CHIEF SECRETARY.		
<i>Accident Insurance Office.</i>		
To act as a Claims Officer; to closely examine claims for compensation and admit or reject same	To have a good knowledge of the Workers Compensation Acts and judicial decisions thereunder and similar Acts in other States and Dominions and in Great Britain; to have experience in dealing with workers, employers, and solicitors regarding claims	Blair, A.
DEPARTMENT OF PUBLIC INSTRUCTION.		
To deal with all matters concerning the appointment and transfer of student teachers, sewing mistresses, and teachers of subsidized schools; to deal with correspondence regarding the early history of schools and applications to undertake private work	To possess a good knowledge of the Teaching Service Act and the Regulations thereunder so far as they relate to teachers; to be familiar with Departmental organization and procedure	Hayman, E. O.
DEPARTMENT OF LAW.		
<i>Courts.</i>		
To be Assistant Collector for interstate destitute persons and perform all necessary functions regarding the enforcement of interstate maintenance orders	To have passed the prescribed examination for qualification as a Clerk of Petty Sessions	Mahoney, J.
To be Officer in Charge of the Licences Branch of the City Court	To have passed the prescribed examination for qualification as a Clerk of Petty Sessions	Walters, F.
DEPARTMENT OF LANDS AND SURVEY.		
Under the direction of the Officer in Charge of the Branch, to deal with Closer Settlement cases administered, and to conduct correspondence in relation thereto. To prepare for submission, applications for consent to transfer or mortgage Closer Settlement Leasehold Areas.	To possess a good knowledge of the Closer Settlement Act and Regulations, and of the procedure and practices thereunder. To have experience in conducting correspondence and in dealing with the public	Bonning, N. C.
To assist in dealing with applications for advances under the Farmers Advances and Drought Relief Acts, and to deal with correspondence generally	A sound knowledge of Farmers Advances and Drought Relief Acts. Experience in dealing with applications for assistance from all classes of farmers. A knowledge of the operations of the Wheat Stabilization Board	Cox, W. J.
To purchase material and equipment for the Vermin and Noxious Weeds Branch, and to keep records relating to expenditure of such branch	A knowledge of the Vermin and Noxious Weeds Act, the Stores and Transport Regulations, and a practical knowledge of Regulations respecting Public Accounts and Arbitration Court Awards.	Mahony, G. G.
To examine engrossments; to record and prepare Crown grants for presentation to the Executive Council and for registration at the Office of Titles, and to attend to enquiries regarding Crown grants	A good working knowledge of the Acts under which land has been and is being alienated, and of precedents and decisions governing the various forms of Crown grants used and conditions embodied therein.	Ottery, W. C.
To have charge of the Crown Lands Revenue Ledgers and Sundry Debtors Accounts	A good knowledge of the departmental system of accounts, of machine accounting, the Land Acts and Regulations, and of Treasury procedure	Robertson, E. J.

PUBLIC SERVICE (PUBLIC SERVICE BOARD) REGULATION 36A—*continued.*

Duties.	Qualifications.	Name of Officers Recommended.
ADMINISTRATIVE DIVISION—<i>continued.</i>		
DEPARTMENT OF LANDS AND SURVEY—<i>continued.</i>		
Under the direction of the Officer in Charge of the Branch, to deal with Closer Settlement cases administered, and to conduct correspondence in relation thereto. To prepare for submission, applications for consent to transfer or mortgage Closer Settlement Leasehold Areas	To possess a good knowledge of the Closer Settlement Act and Regulations and of the procedure and practices thereunder. To have experience in conducting correspondence, and in dealing with the public	Seamons, C. L.
To act as Staff Clerk and have the custody of the personal files of officers. To draft correspondence in connexion therewith	To have a sound knowledge of the Public Service Act and the Regulations, practice, and procedure thereunder	Whelan, F. J.
DEPARTMENT OF PUBLIC WORKS.		
To assist the checking and passing of claims for stores and materials in respect of Public Works and other Government Departments; to deal with the purchase of materials and all accounts in connexion with the manufacture of wire netting at Pentridge Gaol, including the preparation of the balance sheet	To be experienced in dealing with the purchase of stores and materials for Government Departments; to have a thorough knowledge of Stores and Transport Regulations and procedure relating to the checking and passing of claims	O'Dee, C. B.
To keep Public Works and Mines Department Advance Account	To have an intimate knowledge of general accountancy and banking practices and of the General Regulations respecting Public Accounts	Patena, J. F.
DEPARTMENT OF AGRICULTURE.		
Under the Accountant, to be in charge of Departmental Advance account, to keep Appropriation and Trust Fund Ledgers, to prepare statements relating to expenditure	To have a good knowledge of the General Regulations respecting Public Accounts and of the financial activities of the Department	Evans, T. R.
Under the Accountant, to be in charge of the collection of the Revenue of the Department and the keeping of records incidental thereto	To have a thorough knowledge of the financial provisions of the Acts and Regulations administered by the Department and of the Regulations respecting Public Accounts. To be a certificated accountant	Dunn, R. F.
To act as Officer in Charge, Accounts, of the Agricultural Education Division	To have had sound experience of Departmental accounts and the control of staff	Roberts, A. R.
To have charge, under the Manager, of accounts and correspondence at the State Research Farm, Werribee	Experience in keeping advance and revenue cash books and preparation of reimbursements; a good knowledge of Regulations respecting public accounts and banking practice	Sheahan, J. W.

Appeals against the above recommendations should be lodged with the Secretary to the Public Service Board not later than Saturday, the 19th July, 1947.

Office of the Public Service Board,
Melbourne, 8th July, 1947.

By order,
E. F. FITZGIBBON,
Secretary.

PUBLIC SERVICE ACT 1946.

THE Public Service Board in pursuance of the powers conferred by the *Public Service Act 1946*, hereby amends the Public Service (Public Service Board) Regulations as follows:—

REGULATIONS—PART V.—TRAVELLING EXPENSES.

DIVISION II.—REIMBURSEMENT OF CERTAIN OFFICERS FOR EXPENSES.

Department of State Forests and Department of Water Supply.

Regulation 85 (11)—

Revoke—

- (a) Where one horse is used—not exceeding £50 a year.
- (b) Where two horses are used—not exceeding £69 a year.

Add—

- (a) Where one horse is used—not exceeding £55 a year.
- (b) Where two horses are used—not exceeding £74 a year.

This Regulation shall have effect as on and from the 13th July, 1947.

D. D. PAINE, Chairman.
E. F. FITZGIBBON, Secretary.

Office of the Public Service Board,
Melbourne, 1st July, 1947.

Public Service Act 1946, Section 50.

REGULATIONS.—PART III.—SALARIES, INCREMENTS, AND ALLOWANCES.

THE Public Service Board, in pursuance of the powers conferred by the Public Service Act 1946, hereby amends its Regulations as shown below :—

SIXTH SCHEDULE.

TEMPORARY EMPLOYEES.

Designations of Positions and Rates of Salaries.

Department and Designation of Position.	Yearly Rate of Salary.		Increments (Annual).
	Minimum.	Maximum.	
	£	£	
DEPARTMENT OF STATE FORESTS.			
<i>Add—</i> Designing Engineer, Grade 1A ..	722	800	2 of £39
<i>This Regulation shall have effect as on and from the 1st July, 1947.</i>			

D. D. PAINE, Chairman.
E. F. FITZGIBBON, Secretary.

Office of the Public Service Board,
Melbourne, 25th June, 1947.

Public Service Act 1946, Section 39.

REGULATIONS.—PART III.—SALARIES, INCREMENTS, AND ALLOWANCES.

THE Public Service Board, in pursuance of the powers conferred by the Public Service Act 1946, hereby amends its Regulations as shown below :—

FIRST SCHEDULE.

PROFESSIONAL DIVISION.

Offices and Rates of Salaries.

Office.	Yearly Rate of Salary.	
	Minimum.	Maximum.
	£	£
DEPARTMENT OF LANDS AND SURVEY.		
CLASS "B2."		
<i>Revoke—</i> Chief Draughtsman	670	722
CLASS "B1."		
<i>Revoke—</i> Superintending Surveyor District Surveyor	592 592	722 722
CLASS "A."		
<i>Add—</i> Superintending Surveyor .. . Chief Draughtsman District Surveyor, Grade I. .. .	761 761 761	800 800 800
CLASS "B2."		
<i>Add—</i> District Surveyor, Grade II. .. .	670	722

D. D. PAINE, Chairman.
E. F. FITZGIBBON, Secretary.

Office of the Public Service Board,
Melbourne, 23rd June, 1947.

Public Service Act 1946, Section 39.

REGULATIONS.—PART III.—SALARIES, INCREMENTS, AND ALLOWANCES.

THE Public Service Board, in pursuance of the powers conferred by the Public Service Act 1946, hereby amends its Regulations as shown below :—

FOURTH SCHEDULE.

ADMINISTRATIVE DIVISION.

Amount or Range of Salary Assigned to Offices in Class "A1" and Class "A."

Office.	Yearly Rate of Salary.		Salary Payable to the Occupant of Each Office on 1st February, 1947.
	Minimum.	Maximum.	
	£	£	£
DEPARTMENT OF PREMIER.			
CLASS "A."			
<i>Add—</i> Chief Clerk, Premier's Office	761	..

This Regulation shall have effect as on and from the 1st July, 1947.

D. D. PAINE, Chairman.
E. F. FITZGIBBON, Secretary.

Office of the Public Service Board,
Melbourne, 25th June, 1947.

Teaching Service Act 1946.

TEACHING SERVICE (TEACHERS' TRIBUNAL) REGULATIONS.

REGULATION 1.

REVOKE clause 28 and substitute a new clause 28 as follows:—

"28. The Tribunal may authorize the payment of other special allowances under the following circumstances:—

- (a) Where a member of the teaching service is married and is compelled to live away from his home, an allowance not exceeding £1 per week;
- (b) Where the standard salary of an unmarried member of the teaching service does not exceed £234 a year, and he is appointed or transferred to a position outside the Cities of Melbourne, Ballarat, Bendigo, and Geelong, and is thereby required to live away from his home and to pay board and lodging in excess of 30s. a week, the Tribunal may authorize payment of an allowance of an amount equal to one-half of the excess over 30s., provided that in no case shall the weekly allowance exceed 10s.;
- (c) Where the standard salary of an unmarried member of the teaching service exceeds £234 a year but does not exceed £416 a year, and he is transferred or promoted to a position outside the Cities of Melbourne, Ballarat, Bendigo, and Geelong, and is thereby required to live away from his home and to pay board and lodging in excess of 40s. a week, the Tribunal may authorize payment of an amount equal to one-half of the excess over 40s. a week, provided that in no case shall the weekly allowance exceed 10s.;
- (d) Where, in the opinion of the Director, special circumstances exist for which provision is not made in the foregoing, the Teachers' Tribunal shall authorize such allowance as it deems reasonable."

To take effect as on and from the 1st July, 1947.

W. H. ELLWOOD, Chairman.
L. J. MALONEY, Secretary.

Office of the Teachers' Tribunal,
527 Collins-street, Melbourne, C.1,
1st July, 1947.

Transport Regulation Acts.
TRANSPORT REGULATION BOARD.
NOTICES OF PUBLIC HEARINGS.

NOTICE is hereby given that the applications lodged by the persons named below for licences to operate the commercial passenger or goods vehicles on the route or routes, or in the manner set out opposite their names, will be heard at a time and place to be communicated to the parties:—

Name of Applicant; Nature of Application.

- BATSON, E. W.; application for variation of "A" licences, to extend existing services from Apollo Bay to Warrnambool, via Hordern Vale, Glenaire, Lavers Hill, Princetown, Port Campbell, Peterborough, and Allansford.
- DELLAVEDOVA, W.; application for variation of licence No. A.1536, to include the ability to carry small parcels up to a total weight of 2 cwt. weekly between Maryborough and Bealiba.
- STAUNTON, J., L. J., and W. M. (trading as Green Bus Lines); 1 commercial passenger vehicle, with seating capacity for 27 persons, to operate as an additional vehicle on licensed routes.
- HANISCH, A. A.; application for variation of licences Nos. A.464 and A.1192, to operate at separate and distinct fares for each passenger within a radius of 5 miles from Cheltenham Railway Station.
- JOHANSON, P. G.; 1 commercial passenger vehicle, with seating capacity for 20 persons, to operate under charter conditions within 25 miles of Bendigo.
- JONASSON, O. G.; 1 commercial passenger vehicle, with seating capacity for 12 persons, for the carriage of school children between Aubrey and Warracknabeal.
- LESLIE, W.; application for variation of licence No. A.1104, to operate under charter conditions within 20 miles of Jeparit, and to Warracknabeal, Dimboola, Rainbow, Nhill, and Horsham.
- THE PERPETUAL EXECUTORS AND TRUSTEES ASSOCIATION LTD. (as executors of the estate of the late G. A. Marland), Melbourne; 1 commercial passenger vehicle, with seating capacity for 11 persons, to operate as a substitute vehicle for licensed vehicles.
- MEDLYN, E.; 1 commercial passenger vehicle, with seating capacity for 15 persons, to operate between Bacchus Marsh and Geelong, Bacchus Marsh and Glenmare, and under charter conditions from Bacchus Marsh, subject to the cancellation of licence No. A.1720, now held by Broughton and McGuiness.
- MILLETT, E.; application for variation of licence No. A.1581, to include the ability to—
1. Carry dance parties at separate and distinct fares to the following named places:—Tinamba 2s., Newry 2s. 6d., Stratford 2s. 6d., Boisdale 2s. 6d., Sale 3s. 6d., Heyfield 2s. 6d., Briagalong 3s. 6d., The Heart 3s. 6d., Nambrock 4s., Kilmany 4s., Glenmaggie 4s., Clydebank 4s., Valencia Creek 3s. 6d., Cowwarr 5s.
 2. Operate on Sundays and public holidays at separate and distinct fares to Seaspray 8s., Painesville 10s., Dargo £1.
 3. Operate at separate and distinct fares to beauty spots within a 20 miles radius of Maffra P.O. at the fare of 4s. 6d.
- FRASER, A. J., K. H. FRASER, and T. A. S. FRASER (trading as Point Cook Passenger Service); application for variation of "A" licences, to operate after 5 p.m. between Point Cook and Footscray for the carriage of passengers from Point Cook and Laverton, subject to no passengers being picked up within 1 mile of Laverton Railway Station.
- DOUGLAS, W. J., and J. I. D. REID (trading as Ian Reid's Motor Service); 2 commercial passenger vehicles, with seating capacity for 11 persons each, to operate between Bendigo and St. Arnaud, subject to the cancellation of licences Nos. A.1662 and A.1663, in the name of J. I. D. Reid.
- STAUNTON, J., L. J., and W. M. (trading as Green Bus Lines); application for variation of "A" licences—
1. To extend route (a) of the licensed routes so as to operate beyond the Melbourne Benevolent Home along Moorabbin-road to Kingston-road, thence along Kingston-road, Westall-road, and Royal-avenue to the Springvale Railway Station, and thence to the factory premises of Kelly and Lewis Pty. Ltd. and other neighbouring factories.
 2. To extend route (a) of the licensed routes so as to operate beyond the present terminal at the corner of Keys-street and Tramway-parade along Martin-street, Dalgety-road, thence to the Beaumaris State School.
- WALTERS, C.; 1 commercial passenger vehicle, with seating capacity for 5 persons, to operate—(a) separate and distinct fares 5 miles Colac, (b) private hire 50 miles Colac.
- WEDGE, D. E.; 1 commercial passenger vehicle, with seating capacity for 12 persons, to operate as an additional vehicle on licensed routes.
- Cox, L. W.; 1 commercial goods vehicle for the carriage of general goods between Melbourne and Albury.
- DANIELS, T. D.; 1 commercial goods vehicle for the carriage of general goods between Melbourne and Albury.
- GOLDSWORTHY, C. K.; 1 commercial goods vehicle for the carriage of—(a) general goods 25 miles Melbourne, (b) live stock 50 miles Melbourne.
- GRAY, R. D.; 1 commercial goods vehicle for the carriage of bricks between Geelong and Ballarat.
- KELLY, J. M. (on behalf of Kelly and Neve); 1 commercial goods vehicle for the carriage of road contracting plant and material throughout Victoria.
- LINCOLN, W. E.; 1 commercial goods vehicle for the carriage of road contracting plant and material throughout Victoria.
- MASKELL AND GRIBBON; 1 commercial goods vehicle for the carriage of—(a) general goods 20 miles Shepparton, (b) road contracting plant and material 50 miles Shepparton.
- PARSONS, S. B.; 2 commercial goods vehicles for the carriage of—(a) diatomaceous earth from a mine at Lillicur to customers in Melbourne and Ballarat, returning with petroleum products in containers and building materials for applicant's own use in business as garage proprietor (Ampol agent) and building contractor, (b) own goods in course of trade as saw-miller and building contracting within 50 miles Maryborough.
- PETTIGREW, J. K., AND SONS; 1 commercial goods vehicle (load capacity 76 cwt.) for the carriage of own painting gear and materials anywhere in Victoria.

APPLICATION for variation of "B" licences, so as to delete the present schedule of tours and to substitute instead a schedule of tours Nos. 1 to 77, as set out below:—

Tour No.; Details of Tour; Duration; Fare.
Inclusive Single Scenic Tours.

BOND'S MOTOR SERVICES LTD., Adelaide—

- 1; Adelaide, Bordertown, Ararat, Melbourne; 3 days; £6.
- 2; Adelaide, Robe, Portland, Apollo Bay, Melbourne; 4 days; £8.
- 3; Adelaide, Renmark, Mildura, Kerang, Melbourne; 4 days; £8.
- 4; Adelaide, Renmark, Balranald, Narrandera, Yass, Sydney; 5 days; £10.
- 5; Adelaide, Renmark, Swan Hill, Albury, Canberra, Sydney; 5 days; £10.
- 6; Adelaide, Bordertown, Ararat, Melbourne, Wangaratta, Canberra, Sydney; 6 days; £12.
- 7; Adelaide, Robe, Portland, Apollo Bay, Melbourne, Wangaratta, Canberra, Sydney; 7 days; £14.
- 8; Adelaide, Renmark, Mildura, Kerang, Melbourne, Wangaratta, Canberra, Sydney; 7 days; £14.
- 9; Adelaide, Bordertown, Ararat, Melbourne, Lakes Entrance, Genoa, Bateman's Bay, Sydney; 7 days; £14.
- 10; Adelaide, Robe, Portland, Apollo Bay, Melbourne, Lakes Entrance, Genoa, Bateman's Bay, Sydney; 8 days; £16.
- 11; Adelaide, Renmark, Mildura, Kerang, Melbourne, Lakes Entrance, Genoa, Bateman's Bay, Sydney; 8 days; £16.
- 12; Melbourne, Ararat, Bordertown, Adelaide; 3 days; £6.
- 13; Melbourne, Apollo Bay, Portland, Robe, Adelaide; 4 days; £8.
- 14; Melbourne, Kerang, Mildura, Renmark, Adelaide; 4 days; £8.
- 15; Sydney, Yass, Narrandera, Balranald, Renmark, Adelaide; 5 days; £10.
- 16; Sydney, Canberra, Albury, Swan Hill, Renmark, Adelaide; 5 days; £10.
- 17; Sydney, Canberra, Wangaratta, Melbourne, Ararat, Bordertown, Adelaide; 6 days; £12.
- 18; Sydney, Canberra, Wangaratta, Melbourne, Apollo Bay, Portland, Robe, Adelaide; 7 days; £14.
- 19; Sydney, Canberra, Wangaratta, Melbourne, Kerang, Mildura, Renmark, Adelaide; 7 days; £14.
- 20; Sydney, Bateman's Bay, Genoa, Lakes Entrance, Melbourne, Ararat, Bordertown, Adelaide; 7 days; £14.
- 21; Sydney, Bateman's Bay, Genoa, Lakes Entrance, Melbourne, Apollo Bay, Portland, Robe, Adelaide; 8 days; £16.
- 22; Sydney, Bateman's Bay, Genoa, Lakes Entrance, Melbourne, Kerang, Mildura, Renmark, Adelaide; 8 days; £16.
- 23; Melbourne, Wangaratta, Canberra, Sydney; 3 days; £6.

BOND'S MOTOR SERVICES LTD., Adelaide—*continued.*

24; Melbourne, Lakes Entrance, Genoa, Bateman's Bay, Sydney; 4 days; £8.

25; Sydney, Canberra, Wangaratta, Melbourne; 3 days; £6.

26; Sydney, Bateman's Bay, Genoa, Lakes Entrance, Melbourne; 4 days; £8.

27; Adelaide, Ouyen, Echuca, Melbourne; 3 days; £6.

28; Melbourne, Echuca, Ouyen, Adelaide; 3 days; £6.

29; Adelaide, Bordertown, Ararat, Melbourne, Wangaratta, Canberra, Sydney, Muswellbrook, Glen Innes, Toowoomba, Brisbane; 10 days; £20.

30; Adelaide, Robe, Portland, Apollo Bay, Melbourne, Lakes Entrance, Genoa, Bateman's Bay, Sydney, Taree, Urunga, Lismore, Brisbane; 12 days; £24.

31; Melbourne, Wangaratta, Canberra, Sydney, Muswellbrook, Glen Innes, Toowoomba, Brisbane; 7 days; £14.

32; Melbourne, Lakes Entrance, Genoa, Bateman's Bay, Sydney, Taree, Urunga, Lismore, Brisbane; 8 days; £16.

35; Brisbane, Toowoomba, Glen Innes, Muswellbrook, Sydney, Canberra, Wangaratta, Melbourne, Ararat, Bordertown, Adelaide; 10 days; £20.

71; Brisbane, Lismore, Urunga, Taree, Sydney, Bateman's Bay, Genoa, Lakes Entrance, Melbourne, Apollo Bay, Portland, Robe, Adelaide; 12 days; £24.

72; Brisbane, Toowoomba, Glen Innes, Muswellbrook, Sydney, Canberra, Wangaratta, Melbourne; 7 days; £14.

73; Brisbane, Lismore, Urunga, Taree, Sydney, Bateman's Bay, Genoa, Lakes Entrance, Melbourne; 8 days; £16.

Inclusive Round Scenic Tours.

36; Adelaide, Lorne, Melbourne, Lakes Entrance, Sydney, Canberra, Melbourne, Grampians, Adelaide; 17 days; £25 10s.

37; Adelaide, Grampians, Melbourne, Canberra, Sydney, Lakes Entrance, Melbourne, Lorne, Adelaide; 18 days; £27.

38; Adelaide, Lorne, Melbourne, Grampians, Adelaide; 10 days; £15.

39; Adelaide, Grampians, Melbourne, Lorne, Adelaide; 11 days; £16 10s.

40; Melbourne, Lorne, Adelaide, Grampians, Melbourne; 10 days; £15.

41; Melbourne, Grampians, Adelaide, Lorne, Melbourne; 11 days; £16 10s.

42; Melbourne, Lakes Entrance, Sydney, Canberra, Melbourne; 10 days; £15.

43; Melbourne, Canberra, Sydney, Lakes Entrance, Melbourne; 11 days; £16 10s.

44; Sydney, Lakes Entrance, Melbourne, Lorne, Adelaide, Grampians, Melbourne, Canberra, Sydney; 17 days; £25 10s.

45; Sydney, Canberra, Melbourne, Grampians, Adelaide, Lorne, Melbourne, Lakes Entrance, Sydney; 18 days; £27.

46; Sydney, Lakes Entrance, Melbourne, Canberra, Sydney; 10 days; £15.

47; Sydney, Canberra, Melbourne, Lakes Entrance, Sydney; 11 days; £16 10s.

48; Adelaide, Renmark, Mildura, Kerang, Melbourne, Apollo Bay, Portland, Robe, Adelaide; 11 days; £16 10s.

49; Adelaide, Robe, Portland, Apollo Bay, Melbourne, Kerang, Mildura, Renmark, Adelaide; 11 days; £16 10s.

50; Adelaide, Robe, Portland, Apollo Bay, Melbourne, Mt. Buffalo, Melbourne, Ararat, Bordertown, Adelaide; 14 days; £21.

51; Adelaide, Bordertown, Hamilton, Daylesford, Melbourne, Lakes Entrance, Warburton, Marysville, Bendigo, Sea Lake, Lameroo, Adelaide; 12 days; £18.

52; Adelaide, Bordertown, Hall's Gap Chalet, Daylesford, Melbourne, Marysville, Sorrento, Melbourne, Wye River, Port Campbell, Portland, Robe, Adelaide; 14 days; £21.

53; Adelaide, Bordertown, Hall's Gap Chalet, Portland, Mt. Gambier, Narracoorte, Robe, Adelaide; 10 days; £15.

54; Adelaide, Lorne, Melbourne, Lakes Entrance, Wangaratta, Kerang, Mildura, Adelaide; 11 days; £16 10s.

55; Melbourne, Lorne, Adelaide, Mildura, Melbourne; 11 days; £16 10s.

56; Melbourne, Mildura, Adelaide, Lorne, Melbourne; 11 days; £16 10s.

57; Adelaide, Grampians, Melbourne, Mt. Buffalo Chalet, Lakes Entrance, Melbourne, Lorne, Adelaide; 14 days; £21.

APPLICATIONS for licences to operate commercial passenger vehicles, with seating capacity for 5 persons, for the carriage of passengers otherwise than at separate and distinct fares for each passenger throughout Victoria:—

BENNETT, A. A., South Yarra.

BRADLEY, T. E., Hampton.

BRIGHT, D., Coburg.

BROOK, G. R., Northcote.

JONES, H., Clifton Hill.

MCLAUGHLIN, J. L., Coburg.

NOTICE is hereby given that the applications made by the persons named below for renewal of licences to operate the commercial passenger or goods vehicles in the manner set out hereunder, the numbers of which are set out in each case, will be heard at a time and place to be communicated to the parties:—

Name and Address; Present Franchise; Licence No.; Expiry Date.

BAILEY, W. J., Bairnsdale; (a) stage omnibus 5 miles Bairnsdale, (b) private hire 20 miles Bairnsdale; A.1337; 19th August, 1947.

CALDWELL, W. V., Colac; stage omnibus on specified round routes within the Shire of Colac; A.814; 22nd August, 1947.

DUNOON, A. G., Swan Hill; (a) school service Nyah West-Swan Hill, (b) charter 20 miles Swan Hill; A.843; 24th August, 1947.

DUNOON, A. G., Swan Hill; (a) school service Nyah West-Swan Hill, (b) charter 20 miles Nyah West; A.93; 24th August, 1947.

FLOOD, T. R., Bendigo; (a) Bendigo-Shepparton, (b) goods up to 5 cwt., (c) school service Colbinabbin-Rushworth, (d) substitute vehicle for A.914, (e) charter 20 miles Bendigo, and to named places; A.281, A.397; 20th August, 1947.

FLOOD, T. R., Bendigo; (a) school service Elmore-Bendigo, (b) charter 20 miles Elmore, and to named places; A.914; 20th August, 1947.

IKIN, B. E., T. A., and G. H. (trading as Ikin Bros.), Traralgon; (a) stage omnibus on any route within 5 miles Traralgon, (b) private hire 20 miles Traralgon; A.1300; 3rd August, 1947.

JONES, C. S., Castlemaine; (a) two round routes from Castlemaine, (b) mails and newspapers up to 56 lb.; A.268; 14th August, 1947.

SHIRE OF KERANG (as owners of Kerang-Koondrook Tramway), Koondrook; (a) Koondrook-border of New South Wales, *en route* to Barham, (b) Kerang-border of New South Wales, *en route* to Barham, (c) a trailer may be hauled; A.239; 26th August, 1947.

MONSON, A. J., Tallangatta; (a) Tallangatta-Corryong, (b) newspapers and parcels may be carried, (c) charter 20 miles Corryong, and to Tallangatta, (d) interchangeably with other vehicles; A.1291; 3rd August, 1947.

MCKENZIE, L. R., and M. M. MCKENZIE (trading as McKenzies Marysville Transport Service), Healesville; for the carriage of passengers who intend to travel or have travelled on the Lilydale Railway Station-Alexandra route to within 10 miles of—Taggerty, Thornton, Eildon Weir, Rubicon, Alexandra; A.1313; 19th August, 1947.

MCKENZIE, L. R., and M. M. MCKENZIE (trading as McKenzies Marysville Transport Service), Healesville; for the carriage of passengers who intend to travel or have travelled on the Lilydale Railway Station-Alexandra route to within 10 miles of—Marysville, Buxton, St. Fillans, Narbethong; A.1312; 19th August, 1947.

RAMSAY, J., Rupanyup; (a) Rupanyup-Murtoa, (b) private hire 50 miles Rupanyup; A.1164; 11th August, 1947.

DANIELS, N. C. E., Warracknabeal; Watchem-Warracknabeal school service; A.1063; 30th July, 1947.

FERGUSON, S. V., Sale; (a) Newry and the Maffra and Sale High and Technical Schools, via Upper Maffra, Tinamba, Maffra, Bundalaguah, for the carriage of school children, (b) Sale to Newry, via either (i) Maffra-Stratford road as far as Stratford, thence via the Prince's Highway East to Sale, (ii) Bundalaguah, Myrtlebank, Prince's Highway East, Sale, (c) charter within 20 miles of Sale, and to Bairnsdale, Traralgon, Yarram, Glenmaggie Weir (A.174 and A.581); A.174, A.823, A.581; 8th July, 1947.

TOMASETTI, M. C., and E. M. HALL (trading as Warragul Bus Lines), Frankston; (a) school service Garfield-Warragul, (b) Garfield to Warragul on market day; A.1099; 19th April, 1947.

APPPLICATIONS for renewal of private hire licences expiring in August, 1947:—

AITKEN, L., Fitzroy.
 BAYLEY, H. H., Hamilton.
 BEAMISH, C. I., Prahran.
 BLANCHARD, J. W., Clifton Hill.
 CHARLES, F. J., Ascot Vale.
 CITY MOTOR SERVICE LTD., Melbourne (two vehicles).
 ERSKINE, J., Windsor.
 GRIFFETT, A. M., North Fitzroy.
 HARGREAVES, M. F., Geelong.
 HARTLEY, R., Fairfield.
 LANE, A. L., Warrnambool.
 NEWBOULD, S. D., East Kew.
 PENDLEBURY, C. M., Heyfield.

Notice of any objection should be forwarded to reach the Secretary to the Board not later than Wednesday, the 23rd July, 1947.

E. V. FIELD,
 Secretary.

Exhibition Buildings, Rathdown-street, Carlton, 8th July, 1947.

Apprenticeship Acts.

APPRENTICESHIP COMMISSION OF VICTORIA.

NOTICE OF INTENTION TO RECOMMEND THAT CERTAIN TRADES BE PROCLAIMED APPRENTICESHIP TRADES.

NOTICE is hereby given, in pursuance of the provisions of the Apprenticeship Acts, that it is the intention of the Apprenticeship Commission of Victoria to make a recommendation to the Minister of Labour that the trades set out hereunder be proclaimed apprenticeship trades under the said Acts, viz.:—

ELECTRICAL FITTING AND/OR ARMATURE WINDING.

It is also notified that the 24th day of July, 1947, has been fixed as the date before which representations may be made to the said Commission, by or on behalf of employers in any such trade, whether for or against any such trades being included in the said recommendation.

(This notice has effect with respect to the trades above mentioned so far only as they are carried on in the whole of the State of Victoria outside and excepting the metropolitan district.)

By order of the Commission,

A. G. ALLEN,
 Secretary.

103 Russell-street, Melbourne, C.1,
 24th June, 1947.

State of Victoria.
 DRIED FRUITS ACT 1938.
 NOTICE.

I, WILLIAM GEORGE MCKENZIE, Minister of Agriculture, and acting upon the recommendation of the Victorian Dried Fruits Board, hereby give notice that I have determined that the maximum proportions of dried fruits produced in Victoria in the year One thousand nine hundred and forty-seven that may be marketed within Victoria are as follows:—

	Per cent.
Dried Currants	40
Dried Sultanas	20
Dried Lexias and Ohanez	60
Dried Prunes	100
Dried Peaches	100
Dried Apricots	100
Dried Nectarines	100
Dried Pears	100

W. G. MCKENZIE,
 Minister of Agriculture.

Department of Agriculture,
 Melbourne, 25th June, 1947.

NOTICE *RE* CLAIMS UNDER THE FARM PRODUCE AGENTS ACTS.

ALL persons who, as producers of farm produce, have any claim against the Betta Pack Fruit Storage Company Pty. Ltd., of 436 Queen-street, Melbourne, arising from any failure on its part to pay or account for any moneys payable to them by the said company in respect of the sale of any farm produce, are required to forward particulars and proof of such claim to the Director of Agriculture, Public Offices, Melbourne, C.2, on or before the 10th August, 1947.

H. A. MULLETT,
 Director of Agriculture.

LAW DEPARTMENT.—SOLICITOR-GENERAL.
 HAWKERS' AND PEDLARS' LICENCES—DAYS
 ALTERED.

HIS Excellency the Governor of the State of Victoria, by and with the advice of the Executive Council thereof, has, by an Order made on the 1st day of July, 1947, pursuant to the provisions of section 6 of the *Hawkers and Pedlars Act 1928*, appointed, in lieu of the days heretofore appointed, the days set forth in the third column of the Schedule below for holding general meetings of Justices for the special purpose of taking into consideration applications for hawkers' and pedlars' licences at the Court named in the first column of such Schedule in the Police District indicated, to take effect as from and inclusive of the date shown.

SCHEDULE.

Court.	Police District.	Day Appointed.	Date of Commencement.
Lang Lang	Gippsland ..	Every Monday ..	30th June, 1947

C. W. KINSMAN,
 Clerk of the Executive Council.

At the Executive Council Chamber,
 Melbourne, the 1st July, 1947.

CONSUL.

HIS Excellency the Governor directs the recognition of Andreas Aristides Nicolaidas as Consul for Greece, at Melbourne.

JOHN CAIN,
 Premier.

Premier's Office,
 Melbourne, C.2, 3rd July, 1947.

CONSUL.

HIS Excellency the Governor directs the recognition of Mr. Armistead M. Lee, as Vice-Consul of the United States of America at Melbourne.

JOHN CAIN,
 Premier.

Premier's Office,
 Melbourne, C.2, 24th June, 1947.

CONSUL.

HIS Excellency the Governor directs the recognition of Mr. Richard F. Boyce as Consul-General of the United States of America at Melbourne.

JOHN CAIN,
 Premier.

Premier's Office,
 Melbourne, C.2, 24th June, 1947.

The Fisheries Acts.

NOTICE OF INTENTION TO PROHIBIT ALL FISHING IN OR THE TAKING OF FISH FROM THE YEA RIVER AND ITS TRIBUTARIES.

IT is hereby notified for general information that it is intended, after the expiration of one month from the date of publication of this notice in the *Government Gazette*, to move His Excellency the Governor in Council to make a Proclamation to provide as follows:—

- Varying the Proclamation made the first day of September, 1937, and published in the *Government Gazette* of the eighth day of September, 1937, respecting the prohibition of fishing in certain streams by deleting therefrom all reference to the Yea River;
- prohibiting all fishing in or the taking of fish from the Yea River and its tributaries from the first day of May to the thirty-first day of August (both days inclusive) above or upstream from the concrete bridge over the Yea River on the Yea-Molesworth road, and from the first day of September to the thirtieth day of November (both days inclusive) below or downstream from such bridge.

W. SLATER,
 Chief Secretary.

W. QUINN,
 for Chief Inspector of Fisheries and Game.

4 GEORGE VI. No. 4755, SECTION 6.

I HEREBY given notice that on the 25th June, 1947, I filed elections to administer the following deceased persons' estates, in accordance with section 6 of the *Public Trustee Act 1940*:—

ARMSTRONG, MARY, late of 68 Palmerston-street, Carlton, married woman, died 31st December, 1912, intestate.

BROWNING, GEORGINA, formerly of Ross Creek, but late of Ballarat, home duties, died 23rd December, 1944, intestate.

DAWSON, CLYDE, late of 63 Rathdown-street, Carlton, boiler attendant, died 9th May, 1947, intestate.

DEASON, FREDERICK THOMAS, late of Gippsland Benevolent Home, Bairnsdale, old-age pensioner, died 1st February, 1947, intestate.

EATON, EDWARD, late of Gippsland Benevolent Home, Bairnsdale, invalid pensioner, died 9th March, 1947, intestate.

*GUMMOW, ELLEN EDITH, late of 40 Nicholson-street, Fitzroy, widow, died 29th April, 1947.

*HOLT, ANNIE, late of 55 Haines-street, Hawthorn, pensioner, died 27th May, 1946.

JONES, CHARLES, late of Queen Elizabeth Benevolent Home, Ballarat, pensioner, died 7th October, 1943, intestate.

JONES, WILLIAM, late of Queen Elizabeth Benevolent Home, Ballarat, farmer, died 4th June, 1945, intestate.

MCCALLUM, EDWARD FRANCIS, late of Apsley, labourer, died 1st October, 1946, intestate.

STOKAN, DOROTHY MARTHA, late of 628B Glenhuntly-road, Caulfield, married woman, died 18th June, 1945, intestate.

* According to the provisions of the will.

I HEREBY give notice that on the 26th June, 1947, I filed elections to administer the following deceased persons' estates, in accordance with section 6 of the *Public Trustee Act 1940*:—

VIRGO, EDWARD WILLIAM ALLAN, late of William Booth Memorial House, Little Lonsdale-street, Melbourne, clerk, died 6th December, 1946, intestate.

WATTS, FRANCES JANE, late of 92 Bridport-street, Albert Park, married woman, died 30th September, 1945, intestate.

WILKEN, SIDNEY LAVIDGE, late of Benevolent Home, Bendigo, pensioner, died 22nd May, 1947, intestate.

WILLIAMS, WILLIAM, also known as William James Williams, late of Gordon House, Little Bourke-street, Melbourne, gardener, died 5th December, 1946, intestate.

*YOUNG, WILLIAM JAMES, late of St. Joseph's Hospital, St. George's-road, Northcote, pensioner, died 6th April, 1947.

* According to the provisions of the will.

I HEREBY give notice that on the 30th June, 1947, I filed elections to administer the following deceased persons' estates, in accordance with section 6 of the *Public Trustee Act 1940*:—

HOSSACK, JANE, late of Queen Elizabeth Benevolent Home, Ballarat, pensioner, died 4th January, 1945, intestate.

JOHNSTON, FRANCIS, late of 333 Canning-street, North Carlton, engineer, died 15th October, 1946, intestate.

KALINSKI, DAVID, late of 26 Bowen-street, North Carlton, textile mechanic, died 27th February, 1947, intestate.

*LEW CHANG, also known as Ah Chong and Ah Loong and Ah Cheong, late of Kyabram, market gardener, died 28th August, 1946.

MCCARTHY, LUCY BEATRICE, late of Bendigo Benevolent Home, Bendigo, nurse, died 20th January, 1947, intestate.

MCGRATH, JOHN MICHAEL, also known as John McGrath, late of Learmonth-street, Queenscliff, pensioner, died 20th March, 1945, intestate.

MCGRATH, MARGARET ANN, late of Learmonth-street, Queenscliff, spinster, died 27th December, 1933, intestate.

*MCKENNA, EUPHEMIA CECELIA, formerly of 24 Miller-street, East Brunswick, but late of 42 Albion-street, East Brunswick, widow, died 13th February, 1947.

* According to the provisions of the will.

C. J. GARDNER,
Public Trustee.

412 Collins-street, Melbourne, C.1, 2nd July, 1947.

NOTICE.

ADMINISTRATION of the estate of each of the under-mentioned deceased persons has been granted to me, and creditors, next of kin, and all others having claims against the estate of any of the persons so mentioned are required to send particulars of their claims to the Public

Trustee, No. 412 Collins-street, Melbourne, on or before the 11th September, 1947, or they will be excluded from the distribution of the estate when the assets are being distributed:—

*ARMSTEAD, ARTHUR, late of 20 Belford-avenue, Kew, retired engineer, died 24th April, 1947.

ARMSTRONG, MARY, late of 68 Palmerston-street, Carlton, married woman, died 31st December, 1912, intestate.

*BICKFORD, LYDIA SOPHIA, formerly of 1 Talbot-avenue, East St. Kilda, but late of 52 Clarence-street, Elsternwick, widow, died 6th April, 1947.

BROWNING, GEORGINA, formerly of Ross Creek, but late of Ballarat, home duties, died 23rd December, 1944, intestate.

DAWSON, CLYDE, late of 63 Rathdown-street, Carlton, boiler attendant, died 9th May, 1947, intestate.

DEASON, FREDERICK THOMAS, late of Gippsland Benevolent Home, Bairnsdale, old-age pensioner, died 1st February, 1947, intestate.

*DOBSON, EDWARD CHRISTIAN, formerly of 29 Pt. Nepean-road, Elsternwick, but late of 30 McLean-avenue, Bentleigh, retired postal employee, died 7th April, 1947.

EATON, EDWARD, late of Gippsland Benevolent Home, Bairnsdale, invalid pensioner, died 9th March, 1947, intestate.

*FLETT, BARBARA, late of 19 Lambert-road, Toorak, spinster, died 17th April, 1947.

†GUMMOW, ELLEN EDITH, late of 40 Nicholson-street, Fitzroy, widow, died 29th April, 1947.

HARRIS, ADA, late of 282 Union-street, West Brunswick, widow, died 10th May, 1947, intestate.

*HILL, JAMES FYALL, late of 42 Beacon-road, Port Melbourne, retired merchant, died 8th May, 1947.

†HOLT, ANNIE, late of 55 Haines-street, Hawthorn, pensioner, died 27th May, 1946.

HOSSACK, JANE, late of Queen Elizabeth Benevolent Home, Ballarat, pensioner, died 4th January, 1945, intestate.

JOHNSTON, FRANCIS, late of 333 Canning-street, North Carlton, engineer, died 15th October, 1946, intestate.

JONES, CHARLES, late of Queen Elizabeth Benevolent Home, Ballarat, pensioner, died 7th October, 1943, intestate.

JONES, WILLIAM, late of Queen Elizabeth Benevolent Home, Ballarat, farmer, died 4th June, 1945, intestate.

KALINSKI, DAVID, late of 26 Bowen-street, North Carlton, textile mechanic, died 27th February, 1947, intestate.

†LEW CHANG, also known as Ah Chong and Ah Loong and Ah Cheong, late of Kyabram, market gardener, died 28th August, 1946.

LYONS, MARGARET, formerly of 2 Little Neptune-street, St. Kilda, but late of Cheltenham, widow, died 20th May, 1947, intestate.

MCCALLUM, EDWARD FRANCIS, late of Apsley, labourer, died 1st October, 1946, intestate.

MCCARTHY, LUCY BEATRICE, late of Bendigo Benevolent Home, Bendigo, nurse, died 20th January, 1947, intestate.

MCGRATH, JOHN MICHAEL, also known as John McGrath, late of Learmonth-street, Queenscliff, pensioner, died 20th March, 1945, intestate.

MCGRATH, MARGARET ANN, late of Learmonth-street, Queenscliff, spinster, died 27th December, 1933, intestate.

†MCKENNA, EUPHEMIA CECELIA, formerly of 24 Miller-street, East Brunswick, but late of 42 Albion-street, East Brunswick, widow, died 13th February, 1947.

*SALTER, AMY ELIZABETH, formerly of Launceston, but late of 167 Hope-street, West Brunswick, married woman, died 15th January, 1945.

STOKAN, DOROTHY MARTHA, late of 628B Glenhuntly-road, Caulfield, married woman, died 18th June, 1945, intestate.

VIRGO, EDWARD WILLIAM ALLAN, late of William Booth Memorial House, Little Lonsdale-street, Melbourne, clerk, died 6th December, 1946, intestate.

WATTS, FRANCES JANE, late of 92 Bridport-street, Albert Park, married woman, died 30th September, 1945, intestate.

WILKEN, SIDNEY LAVIDGE, late of Benevolent Home, Bendigo, pensioner, died 22nd May, 1947, intestate.

WILLIAMS, WILLIAM, also known as William James Williams, late of Gordon House, Little Bourke-street, Melbourne, gardener, died 5th December, 1946, intestate.

*YOUNG, MARY ANN, late of 19 Cowper-street, Footscray, pensioner, died 29th November, 1946.

†YOUNG, WILLIAM JAMES, late of St. Joseph's Hospital, St. George's-road, Northcote, pensioner, died 6th April, 1947.

* With the will annexed.

† According to the provisions of the will.

C. J. GARDNER,
Public Trustee.

Melbourne, 2nd July, 1947.

VICTORIAN RAILWAYS.

THE VICTORIAN RAILWAYS COMMISSIONERS, in the exercise of the powers conferred upon them by the Railways Acts, do hereby make the following by-law, and do hereby repeal so much of the provisions of all previous by-laws as conflicts therewith :—

BY-LAW NO. 351.

PART I.—INTRODUCTORY.

Definitions.

1. In this By-law, except where otherwise clearly indicated—

- "appointed" means appointed by the Commissioners;
- "authorized" means authorized by the Commissioners to do the act in relation to which the expression is used;
- "booking station" means a station at which under the authority of the Commissioners tickets are issued to persons who desire to travel by railway;
- "by-law" includes this by-law, and all by-laws made by the Commissioners in the exercise of the power to make by-laws conferred upon them by the Railways Acts;
- "Commissioners" means The Victorian Railways Commissioners constituted as provided in the Railways Acts;
- "compartment" means a compartment of a vehicle which is appointed for the conveyance of passengers;
- "electric line" means any wire or cable or other device situate in the open air, and used by the Commissioners for the conveyance, transmission, or distribution of electricity, and it includes any means employed for supporting, suspending, enclosing, or insulating any such wire or cable or other device.
- "employee" includes all persons employed in the railway service;
- "freight stamp" means a stamp issued by the Commissioners for use in connexion with the prepayment of charges for the carriage of parcels;
- "level crossing" means a place where a road whether it be a public road or a private road crosses a railway on the level of the railway;
- "motor vehicle" means a vehicle propelled by steam or gas or oil or electricity or any mechanical power and used or intended for use on any public highway and includes a motor cycle;
- "overbridge" means a bridge over any line of railway;
- "passenger" includes a person who is upon or about any vehicle or premises of the Commissioners—
 - (i) with the intention of travelling by railway; or
 - (ii) after having completed a journey by railway;
- "prescribed" means prescribed by the Commissioners in a by-law;
- "railway" means a line of railway vested in the Commissioners;
- "road vehicle" means any vehicle used or intended for use on any public highway and includes a bicycle;
- "seat" means a seat in a vehicle;
- "smoking compartment" means a compartment which is appointed for the use of persons who desire to smoke tobacco or any other substance;
- "specified" means specified by the Commissioners by being published or announced on their premises in a reasonably efficient manner;
- "station" means a station on any line of railway vested in the Commissioners;
- "sub-way" means a carriage way or footway or any other way which is carried beneath a railway;
- "telegraph station" means a station at which telegraphic communication is provided;
- "ticket" means any ticket free pass symbol or evidence of a right to travel as a passenger upon a railway;
- "train" includes a vehicle which is in the process of being attached to or detached from a train;
- "vehicle" means a vehicle belonging to the Commissioners and used or intended for use on a railway and includes a tricycle or quadricycle.

Words importing the masculine gender shall include females words in the singular shall include the plural and words in the plural shall include the singular.

2. Where a penalty is set out at the foot of a section of this by-law it is the *maximum* penalty. penalty imposed by the Commissioners upon any person committing a breach of the section and may as provided in the *Railways Act 1923* be recovered in a summary manner before any Court of Petty Sessions.

3. The division of this by-law into parts shall not be construed so as to restrict in any way the application of the several sections hereof.

PART II.—PROVISIONS RELATING TO TICKETS.

4. A person shall not with the intent to evade the payment of his fare enter at a No ticket. booking station or travel therefrom in any vehicle unless he or some one on his behalf has previously obtained from the Commissioners or from some one acting under their authority a ticket which entitles him so to enter or travel.

Penalty: Twenty pounds.

5. Upon being requested so to do by an authorized employee a passenger unless Tickets to be prevented from so doing by a cause which does not involve an attempt to defraud or produced. prejudice the Commissioners shall—

- (i) produce to the employee a ticket showing as the circumstances of the case may require either—
 - (a) that he is entitled to travel by railway for the journey he is about to make or is in fact making; or
 - (b) that he was entitled to travel by railway for the journey he has made;
- (ii) permit the employee to inspect the ticket and mark the same;
- (iii) if the ticket is the forward half of a return ticket produce to the employee the other half of such ticket and allow him to inspect or mark it;
- (iv) if the ticket will not be available for further use deliver it to the employee.

Penalty: Five pounds.

- Expired tickets.** 6. A person who is in possession of a ticket the time for using which has expired shall upon being requested so to do by an authorized employee deliver the ticket to the employee.
Penalty: Five pounds.
- Re-booking.** 7. When the fare for a continuous journey from one station to another station is greater than the sum of the fares between the first station and an intermediate station and between the intermediate station and the second station a person shall not with intent to evade payment of the full fare payable for a continuous journey from the first station to the second station travel from the first station to the intermediate station obtain a ticket there and travel thence to the second station in the train by which he arrived at the intermediate station or in the train which is appointed to connect with it.
Penalty: Five pounds.
- Allighting short of destination stations.** 8. When the fare for a journey from one station to another station is greater than the fare between the first station and a station more distant from it than the second station a person shall not with intent to evade payment of the full fare payable for a journey from the first station to the second station take or use or attempt to use a ticket which authorizes him to travel from the first station to the more distant station.
Penalty: Five pounds.
- Tickets, use of.** 9. A person shall not with intent to evade payment of the fare lawfully payable by him in the circumstances use or attempt to use a ticket otherwise than—
(i) for a journey from the station firstly named thereon to the station secondly named thereon; or
(ii) subject to section 8 of this by-law for a journey from the station firstly named thereon to a station situate between that station and the station secondly named thereon; or
(iii) for a journey by a train by which the ticket is available.
Penalty: Five pounds.
- Tickets transferred, &c. to use a ticket—** 10. A person shall not with intent to evade the payment of his fare use or attempt to use a ticket—
(i) which has been obtained by him or another person on his behalf otherwise than from the Commissioners or from a person authorized by the Commissioners to sell or issue tickets; or
(ii) which has been obtained on behalf of another person for the purpose of enabling such other person to travel by railway; or
(iii) which has been in any respect materially altered or defaced; or
(iv) the time for using which has expired; or
(v) the time for using which has not arrived.
Penalty: Twenty Pounds.
- Break of Journey.** 11. Unless entitled so to do under the by-laws or authorized so to do by an employee empowered by the Commissioners to grant the authority a person shall not alight from a train and break his journey at a station situate between the stations named on his ticket and thereafter with intent to evade payment of the fare from the station at which the journey was broken to the station secondly named on his ticket use or attempt to use his ticket in order to travel by another train from the station at which the journey was broken towards or to the station secondly named on his ticket.
Penalty: Five pounds.
- First-class on second-class tickets.** 12. A person shall not with intent to evade payment of the fare lawfully payable by him in the circumstances take a seat or travel in a vehicle of a class superior to that for which he is provided with a ticket.
Penalty: Twenty pounds.
- Tickets not available for smoking cars.** 13. (i) A person who is provided with—
(a) a half-ticket of the type commonly issued to persons who have not attained the age of fourteen years; or with
(b) a ticket upon which the words "Not available for smoking compartment" are written printed stamped or impressed; or with
(c) a metal periodical ticket which pursuant to the by-laws regulating the issue of periodical tickets at reduced fares to students or to youths and females engaged in business or to females who are not engaged in business has been issued at a fare less than the full fare for the time being payable by an adult, shall not travel or attempt to travel in a smoking compartment.
Penalty: Two pounds.
(ii) Nothing in sub-section (i) of this section shall be deemed to prohibit a child who is apparently under the age of fourteen years from travelling in a smoking compartment when in the company and under the control of a person who is apparently above the age of twenty-one years and who is entitled to travel in such a compartment.
- Trains scheduled to set down only.** 14. A person shall not without being authorized in writing by an employee empowered by the Commissioners to grant such an authority for the purpose of travelling thereby enter or travel in a vehicle attached to a train which has not been stopped for the purpose of picking up passengers.
Penalty: Five pounds.
- Trains scheduled to pick up only.** 15. Unless provided with a reasonable excuse or the authority of an employee empowered to grant such an authority a passenger shall not with the intention of breaking or finishing his journey alight from a train which has not been stopped for the purpose of setting down passengers.
Penalty: Five pounds.
- Trains scheduled to pick up or set down.** 16. When a train is appointed solely for the conveyance of passengers to certain specified stations a person shall not unless he intends to travel and does in fact travel by the train to one of the stations specified enter or travel in a vehicle attached to the train, unless he or some one on his behalf shall have first obtained from an authorized employee authority in writing so to do.
Penalty: Five pounds.
- Vehicles reserved for specified passengers.** 17. When a vehicle attached to a train is appointed solely for the conveyance of passengers to certain specified stations a person shall not unless he intends to travel and does in fact travel therein to one of the stations specified occupy a seat in the vehicle.
Penalty: Five pounds.

18. A person shall not travel or attempt to travel in a train or vehicle which is appointed solely for the conveyance of passengers each of whom reserves the right to occupy a particular seat therein unless he or some one on his behalf has previously reserved such a right and has obtained from the Commissioners or from some one acting under their authority a ticket specifying the seat in respect of which the right has been reserved.

Penalty: Five pounds.

19. Except in a case in which an authority to the contrary is given by an authorized employee a person shall not travel or attempt to travel in a sleeping compartment or occupy or attempt to occupy a berth in a sleeping compartment unless he or some one on his behalf has previously reserved the right to travel in the compartment or to occupy the berth as the case may be and has obtained from the Commissioners or from some one acting under their authority a ticket specifying the compartment and berth in respect of which the right has been reserved.

Penalty: Five pounds.

PART III.—PROVISIONS REGULATING THE CONDUCT OF PERSONS WHEN UPON RAILWAY PREMISES.

20. A person shall not give or offer a gratuity to any employee.

Penalty: Five pounds.

21. A person other than an employee engaged in the execution of his duty shall not without reasonable excuse—

- (i) enter or attempt to enter join or attempt to join or leave or attempt to leave a vehicle while it is in motion; or
- (ii) enter or attempt to enter or leave or attempt to leave a vehicle otherwise than through a doorway which adjoins a platform or other means appointed for the use of persons who desire to enter or leave vehicles; or
- (iii) open on any vehicle a door which is locked; or
- (iv) lock on any vehicle a door which is unlocked; or
- (v) open or hold open on any vehicle which is in motion any door provided in such vehicle and so fitted therein as to open outwards therefrom; or
- (vi) mount or attempt to mount or travel or attempt to travel on a locomotive or on the roof or step or footboard of a vehicle or on or in any part of a vehicle other than a part appointed for the conveyance of passengers.

Penalty: Twenty pounds.

22. A person shall not without reasonable excuse protrude any portion of his person from the open door or window of a vehicle which is in motion or touch or attempt to touch any building structure or fixture or other object situate in the vicinity of the railway upon which the vehicle in which he is travelling is in motion.

Penalty: Five pounds.

23. A person shall not without reasonable excuse apply any brake fitted to a vehicle or make use of the means provided in a vehicle to enable the passengers travelling therein to communicate with the employees in charge of the train to which the vehicle is attached.

Penalty: Twenty pounds.

24. A person shall not—

- (i) cross or attempt to cross any line of railway elsewhere than at a place appointed as a crossing place; or
- (ii) when warned by an authorized employee to refrain from doing so cross or attempt to cross a line of railway at a place appointed as a crossing place.

Penalty: Ten pounds.

25. A person shall not throw or drop upon or from any premises of the Commissioners or from any vehicle any bottle glass stone or other article or thing of whatsoever nature which is by reason of its being thrown or dropped capable of causing injury or damage to or of endangering any person or property.

Penalty: Twenty pounds.

26. A person who is in a state of intoxication shall not be brought upon or conveyed to any station or premises of the Commissioners.

Penalty: Five pounds.

27. A person shall not drink any intoxicating liquor in or upon any vehicle or premises of the Commissioners except at a place specially provided for the purpose.

Penalty: Five pounds.

28. Unless expressly authorized so to do by the Commissioners a person who is suffering from an infectious or contagious disease or disorder shall not be brought upon or enter or remain or be in or upon any vehicle or premises of the Commissioners or travel or attempt to travel on any railway.

Penalty: Twenty pounds.

29. A person shall not enter or attempt to enter or join or attempt to join a vehicle after having been requested by an authorized employee to refrain from so doing.

Penalty: Twenty pounds.

30. A person shall not unless he is in possession of a ticket which entitles him so to do be or remain in or upon any vehicle or premises of the Commissioners after being requested by an authorized employee to leave such vehicle or premises.

Penalty: Five pounds.

31. A person who is not a passenger shall not—

- (i) occupy a seat in a vehicle; or
- (ii) be or remain in a vehicle except for the purpose of rendering assistance to a passenger; or
- (iii) when in a vehicle for the purpose of rendering assistance to a passenger remain in the vehicle for a period of time in excess of that which is in the circumstances reasonably necessary.

Penalty: Five pounds.

- Remaining in any part of vehicles. 32. A person shall not after being requested by an authorized employee to refrain from so doing be or remain on a platform or in a doorway vestibule corridor or gangway of a vehicle.
Penalty: Five pounds.
- Dangerous articles 33. A person shall not convey or attempt to convey in any vehicle or bring or attempt to bring on to any premises of the Commissioners any dangerous article which is not packed in the manner from time to time prescribed.
Penalty: Twenty pounds.
- Loaded firearms. 34. A person other than an employee engaged in the execution of his duty shall not without the written authority of the Commissioners carry or attempt to carry or bring or attempt to bring or discharge or attempt to discharge any loaded firearm in or upon or from any premises of the Commissioners.
Penalty: Twenty pounds.
- Carcasses or bulky packages of passengers— 35. A person shall not convey or attempt to convey in a vehicle used for the carriage of passengers—
(i) the carcass or a portion of the carcass of any animal or bird unless it is packed in the manner prescribed; or
(ii) any article or package which by reason of its bulk shape or nature or by reason of the nature of its contents is calculated to be a source of annoyance or of discomfort to any other person or is capable of causing injury or damage to or of endangering any person or property.
Penalty: Five pounds.
- Seats temporarily vacated. 36. When a passenger who is in occupation of a seat temporarily vacates that seat for any purpose another person shall not while the seat is temporarily vacant appropriate it to his own use and refuse on being required so to do to yield it up again to the original occupier thereof.
Penalty: Five pounds.
- Unoccupied seats. 37. When a seat is in fact unoccupied and has not been personally appropriated by any person for his own use a person shall not by means of any act device or representation of any kind deceive or attempt to deceive another person into the belief that a third person has in fact personally appropriated the seat for his own use.
Penalty: Five pounds.
- Seats, appropriation of. 38. If a passenger who is in occupation of a seat vacates that seat and goes into occupation of another seat he shall not while he remains in occupation of the other seat by means of any act device or representation of any kind deceive or attempt to deceive another person into the belief that the vacant seat is not in fact vacant.
Penalty: Five pounds.
- Article on seats. 39. A person shall not without reasonable excuse place any article of any kind upon a seat which has not been appropriated by him for his personal use.
Penalty: Five pounds.
- Reserved seats. 40. A person shall not after being warned by an authorized employee to refrain from doing so occupy or attempt to occupy in any vehicle a seat the right to occupy which has been reserved by another person.
Penalty: Five pounds.
- Reserved compartments. 41. A person shall not after being warned by an authorized employee to refrain from doing so occupy or attempt to occupy a seat in a compartment the exclusive right to occupy a seat in which has already been reserved by the Commissioners in favour of some other person or persons.
Penalty: Five pounds.
- Gambling, offensive conduct &c. 42. A person shall not while he is in or upon any vehicle or premises of the Commissioners—
(i) gamble; or
(ii) make use of any abusive blasphemous indecent insulting obscene offensive profane or threatening language or gesture to the annoyance or hindrance of any other person; or
(iii) behave in a disorderly indecent offensive or riotous manner; or
(iv) unless authorized to do so distribute handbills to or solicit money from any other person.
Penalty: Twenty pounds.
- Persons on foot, how to proceed. 43. A person on foot shall not while he is upon any land or premises of the Commissioners proceed at a pace or in a manner which is likely to cause injury damage discomfort or inconvenience to or to endanger any person or property.
Penalty: Five pounds.
- Station entrances and exits. 44. A person shall not without reasonable excuse enter or leave any station platform or other premises of the Commissioners otherwise than by means of an entrance or exit provided thereat and appointed for the use of persons who desire to enter or leave such station platform or premises.
Penalty: Five pounds.
- Closed doors and gates. 45. A person shall not without reasonable excuse upon any station platform or other premises of the Commissioners open or otherwise interfere with any gate or door which has been locked or closed by an authorized employee or close or otherwise interfere with any gate or door which has been opened by any such employee.
Penalty: Five pounds.
- Lighting or extinguishing lamps. 46. A person shall not without reasonable excuse light or extinguish or otherwise interfere with any lamp which is fitted in any vehicle or which is situated upon or about any premises of the Commissioners.
Penalty: Twenty pounds.

47. A person shall not place his feet upon—
 (i) any seat cushion or armrest ; or
 (ii) upon any furniture or equipment ; or
 (iii) upon any upholstered or polished or plated portion,
 in or of any vehicle or premises of the Commissioners.
 Penalty : Five pounds. Feet on
seats, &c.
48. A person shall not spit—
 (i) upon the floor or upon any part other than a part set aside for the purpose of
 any vehicle which is used for the conveyance of passengers ; or
 (ii) upon the platform at any station ; or
 (iii) upon the floor side or wall of any hall office waiting room refreshment room
 or public room or public passage forming part of any premises of the
 Commissioners.
 Penalty : Five pounds. Spitting.
49. A person shall not write draw or affix any abusive blasphemous indecent insulting
 obscene offensive or profane word representation or character in or to any vehicle or
 premises of the Commissioners. Indecent, &c.
writing.
 Penalty : Twenty pounds.
50. A male person shall not knowingly be or remain in or in the immediate vicinity
 of any vehicle compartment of a vehicle room privy or lavatory set apart for the exclusive
 use of persons of the female sex. Accommoda-
tion for the
exclusive use
of females.
 Penalty : Twenty pounds.
51. A person who takes possession of or finds in or upon any vehicle or premises of
 the Commissioners any property which has apparently been lost by another person shall
 as soon as is practicable deliver up the property either to the guard of the train or to
 the officer or employee for the time being in charge of the station at or which is most
 convenient to the place at which the property was found. Lost property.
 Penalty : Five pounds.
52. A person other than an employee engaged in the execution of his duty shall not
 unless expressly authorized in writing by the Commissioners so to do in or upon any
 vehicle or premises of the Commissioners— Hawking and
looting.
 (i) hawk sell hire or offer or expose for sale or for hire any articles or goods of
 any description ; or
 (ii) tout ply for or solicit custom hire or employment of any description.
 Penalty : Twenty pounds.

PART IV.—PROVISIONS RELATING TO ROAD VEHICLES.

53. The person in charge of a road vehicle shall while he is upon or about any premises
 of the Commissioners obey the reasonable directions of any authorized employee or
 authorized member of the Police Force of Victoria. Directions to
drivers of road
vehicles.
 Penalty : Ten pounds.
54. A person shall not with any road vehicle of any kind ply for hire on any premises
 of the Commissioners unless he has obtained from the Commissioners a licence in writing
 authorizing him so to do. Plying for hire.
 Penalty : Twenty pounds.
55. The driver of a road vehicle drawn by an animal shall not leave or be away from
 the vehicle while it is upon or about any premises of the Commissioners unless one of
 the wheels of the vehicle is secured or fastened in such a way as will effectually prevent
 the rotation thereof. Drivers of
horse-drawn
vehicles.
 Penalty : Five pounds.
56. A person shall not while he is upon or about any premises of the Commissioners
 ride or drive any horse or other animal or any road vehicle or machine— Dangerous
driving.
 (i) in a manner which is calculated to cause injury or damage to or to endanger
 any person or property ; or
 (ii) upon or over or along any road path or way which is appointed for the exclusive
 use of pedestrians ; or
 (iii) at a speed exceeding the maximum permissible speed indicated by a notice
 board.
 Penalty : Ten pounds.
57. When he is proceeding towards or over a level crossing the driver of a road
 vehicle shall not drive that vehicle contrary to any instruction or signal given by an
 authorized employee or any notice in writing at or in the vicinity of the crossing. Vehicles
crossing level
crossings.
 Penalty : Ten pounds.
58. A person shall not drive or attempt to drive or convey or attempt to convey
 across any railway at a level crossing— Traction
engines or
heavy loads
crossing level
crossings.
 (i) any traction engine or road engine of any kind ; or
 (ii) any road vehicle the weight of which upon any one axle exceeds six tons ; or
 (iii) any road vehicle machine or contrivance which exceeds or upon which is carried
 a load which exceeds 14 feet in height when measured from the uppermost
 surface of a rail of the railway or 12 feet in breadth ; or
 (iv) any road vehicle which will cause or is calculated to cause an obstruction to
 the railway,
 unless he at least forty-eight hours before the time at which he proposes to drive or convey
 the engine vehicle machine or contrivance in question across the railway shall have given
 to the employee in charge of a railway station which is also a telegraph station or to the
 employee in charge of the station which is most convenient to the place at which the
 crossing is to be effected and is in charge of a male person a notice in writing setting out
 the time and place at which it is proposed to drive or convey the engine vehicle machine
 or contrivance across the railway and the name and postal address of the owner of the
 engine vehicle machine or contrivance and shall have made such provision as the Com-
 missioners may, notify him in their opinion necessary in order to prevent damage being
 done to the railway by reason of the engine vehicle machine or contrivance being driven
 or conveyed across it.
 Penalty : Twenty pounds.

Motor vehicles containing petrol, &c

59. A person shall not without the written authority of the Commissioners consign or attempt to consign a motor vehicle for carriage by railway or warehouse or attempt to warehouse a motor vehicle with the Commissioners unless—

- (i) every cylinder pipe carburettor burner tank or other receptacle forming part of or fitted to or contained in the motor vehicle has been completely emptied of any inflammable or explosive gas and of any inflammable or volatile liquid which may be contained therein;
- (ii) the connecting cables and wires of every electric battery fitted to the motor vehicle have been disconnected from the battery terminals;
- (iii) the battery terminals have been covered or otherwise protected in a way which will ensure that the said terminals cannot be inadvertently connected while the motor vehicle is in the custody or under the control of the Commissioners.

Penalty: Twenty pounds.

PART V.—PROVISIONS FOR THE PROTECTION OF THE PROPERTY OF THE COMMISSIONERS.

Damage or removal of railway property.

60. A person shall not without reasonable excuse—

- (i) destroy damage deface mutilate write upon or injure; or
- (ii) remove from the place in which for the time being it is;

any property whether real or personal of the Commissioners or any property or thing which is in or upon or is affixed to any vehicle or premises of the Commissioners.

Penalty: Twenty pounds.

Interference with railway equipment.

61. A person shall not without reasonable excuse—

- (i) operate or otherwise interfere with any signal brake points turn-table or switch or any other electrical or mechanical machinery or apparatus which is in or upon or is affixed to any vehicle or premises of the Commissioners;
- (ii) throw any object at or towards an electric line or at or towards any electrical apparatus belonging to the Commissioners;
- (iii) fly release or propel any kite balloon or other similar device into the air at or to a point within a distance of 300 yards of any boundary of a railway on which an electric line is situate.

Penalty: Twenty pounds.

Advertising on railway premises.

62. A person shall not except with the written authority of the Commissioners affix or draw or post or write any advertisement bill placard poster or notice of any kind to in or on any vehicle or premises of the Commissioners.

Penalty: Five pounds.

Sewage.

63. A person shall not cause or permit or suffer drainage or sewage to flow or to be emptied from any land or premises occupied by him on to or upon any land or premises of the Commissioners.

Penalty: Twenty pounds.

Pollution &c. of reservoirs and tanks.

64. A person shall not—

- (i) bathe in or pollute the water of any reservoir or tank vested in the Commissioners; or
- (ii) without first obtaining the consent in writing of the Commissioners fish in or shoot over or upon any such reservoir or tank.

Penalty: Ten pounds.

Poison.

65. A person shall not unless authorized by the Commissioners so to do place any poison or poisoned substance on or upon any lands or premises of the Commissioners.

Penalty: Five pounds.

Lighting fires or throwing burning substances.

66. A person other than an employee engaged in the execution of his duty shall not without reasonable excuse—

- (i) unless authorized so to do by an employee empowered by the Commissioners to grant such an authority light a fire on any land or premises or in any vehicle of the Commissioners;
- (ii) leave a fire which has been lit by him on any land or premises or in any vehicle of the Commissioners until the said fire is completely extinguished;
- (iii) in circumstances calculated to cause injury or damage to or to endanger any person or property—
 - (a) bring any burning substance into or upon any vehicle or premises of the Commissioners or by any act or omission cause it to happen that a burning substance is brought into or upon any such vehicle or premises;
 - (b) throw or drop any burning substance at or upon or from any vehicle or premises of the Commissioners or by any act or omission cause it to happen that a burning substance is thrown or dropped at or upon or from any such vehicle or premises.

Penalty: Twenty pounds.

PART VI.—PROVISIONS RELATING TO ANIMALS ON RAILWAY PREMISES.

Diseased animals.

67. A person shall not knowingly bring or cause or permit to be brought on to any premises of the Commissioners any animal or bird which is suffering from any disease or disorder whatsoever.

Penalty: Twenty pounds.

Animals crossing lines.

68. A person shall not ride or drive or attempt to ride or drive an animal across a railway at a level crossing—

- (i) when a train in motion is in sight and is approaching the level crossing at which such person proposes to ride or drive the animal across the railway; or
- (ii) when warned by means of a bell or flag or whistle or light or other warning medium or device of the approach of a train towards the level crossing; or
- (iii) when warned by an employee to refrain from so doing.

Penalty: Twenty pounds.

69. A person shall not except in circumstances which are authorized by a by-law drive any animal or bird on to or upon any land or premises of the Commissioners. Animals or birds driven on railway premises.
Penalty: Twenty pounds.

70. The owner or any person having in law the care custody or control of any animal or bird found straying upon any land or premises of the Commissioners shall be guilty of an offence unless he proves that he has taken reasonable precautions to prevent such animal or bird from so straying. Animal trespass.
Penalty: Twenty pounds.

71. A person shall not without the permission of an authorized employee bring or suffer or permit a dog by which he is accompanied to be brought on to or to be upon or about any station platform or other premises of the Commissioners unless the movements of the dog are directly and efficiently controlled by some person by means of some efficient apparatus. Dogs brought on railway premises.
Penalty: Five pounds.

72. A person shall not unless authorized by an employee empowered by the Commissioners to grant the authority convey or attempt to convey in a vehicle used for the carriage of passengers any dog or other animal whatever its species: Provided that the provisions of this section shall not operate to prevent a person from conveying in any such vehicle any bird the freight of which has been prepaid and which is contained in a receptacle which will ensure that the bird will not be a source of annoyance or of discomfort to any person. Dogs or birds in passenger vehicles.
Penalty: Five pounds.

PART VII.—PROVISIONS WHICH ARE PARTICULARLY APPLICABLE TO ELECTRIC STREET RAILWAYS.

73. A person shall not join or attempt to join or leave or attempt to leave a vehicle through a gangway which has been closed by means of a gate or barrier or other device. Closed gangways.
Penalty: Five pounds.

74. A person shall not with intent to evade the payment of his fare— Fares to be tendered.
(i) travel in a vehicle using an electric street railway; or
(ii) when travelling in a vehicle using an electric street railway by any act device or representation of any kind deceive or attempt to deceive the conductor in charge of the vehicle into the belief that he has paid his fare.
Penalty: Five pounds.

75. When a particular fare is specified as being the minimum fare payable for a journey by a vehicle using an electric street railway a person shall not with intent to evade payment of that minimum fare travel or attempt to travel by that vehicle. Minimum fare cars.
Penalty: Five pounds.

76. A person shall not while riding a bicycle or any similar machine in any street or road in or on which an electric street railway is situated without reasonable excuse cling to or otherwise attach himself or the bicycle or the machine which he is riding to any vehicle using the electric street railway. Cyclists clinging to cars.
Penalty: Five pounds.

PART VIII.—MISCELLANEOUS PROVISIONS.

77. A person shall not with a fraudulent intent— Fraudulent use of freight stamps.
(i) remove from a package or parcel consigned for carriage by railway any freight stamp affixed thereto or to any label attached to such package or parcel; or
(ii) remove from any freight stamp previously used any mark made thereon as an indication that the stamp has been cancelled; or
(iii) knowingly put off or use in connexion with the consignment of any package or parcel for carriage by railway any freight stamp or portion of a freight stamp which is obliterated defaced altered or mutilated.
Penalty: Twenty pounds.

78. A person shall not without first giving a receipt therefor to an authorized employee and paying the amount of any charges which may be due to the Commissioners in respect of the carriage care or warehousing of the same remove from any station or premises of the Commissioners any animal article package or thing which has been carried by railway to the station or premises in question. Removal of goods.
Penalty: Twenty pounds.

79. A person shall not without the authority of the owner thereof or of his authorized agent use for packing purposes or as a container for rabbits fish poultry or any other commodity carried or intended for carriage by railway any crate coop basket box or other container receptacle or contrivance for the time being upon or about any premises of the Commissioners at the order or on account of another person. Use of crates, coops etc.
Penalty: Five pounds.

80. A person shall not without reasonable excuse cause or endeavour to cause the employees who are in charge of a train which is in motion on a railway to stop the train. Stopping trains.
Penalty: Twenty pounds.

81. A person shall not with intent to evade payment of the fare of another person or to defraud or prejudice the Commissioners in connexion with a journey to be made by another person do or omit anything which if done or omitted by a person with the intent to evade payment of his own fare or to defraud or prejudice the Commissioners in connexion with a journey to be made by him, would be a breach of the provisions of any of the following sections of this by-law namely sections 4 to 12 inclusive and sections 74 and 75. Fraud to enable travel by another person.

Penalty: The penalty provided for a breach of the section of which the act or omission complained of would be a breach were it done or omitted by a person with intent to evade payment of his own fare or to defraud or prejudice the Commissioners in connexion with a journey to be made by him.

- Persons permitting children to infringe by-laws.** 82. A person shall not without reasonable excuse knowingly suffer or permit a child who is in his custody to do or omit anything which if done or omitted by the person himself would be a breach of any of the following sections of this by-law namely sections 21 to 25 inclusive section 31 sections 34 and 35 section 64 section 66 and section 73.
Penalty: Five pounds.
- Removal of offenders.** 83. A person who persists with a contravention of any of the provisions of this by-law after being warned by an authorized employee to desist may if he fails to leave any vehicle or premises of the Commissioners immediately upon being requested so to do by an authorized employee without prejudice to any penalty he may have incurred under this by-law be forthwith removed from the vehicle or premises by or under the direction of the employee.
Penalty: Twenty pounds.
- Names and addresses.** 84. Upon being required so to do a person—
(a) who is detected in a contravention of any provision of the Railways Acts or Railways by-laws or
(b) who has entered at a booking station or has travelled therefrom and for any cause whatsoever fails whilst on railway premises to produce on demand a ticket entitling him so to enter or travel
shall immediately furnish his correct name and address to an authorized employee.
Penalty: Two pounds.
- Fraudulent conveyance of animals.** 85. A person shall not with intent to evade payment of the charges lawfully payable for the carriage of the same convey or attempt to convey in any vehicle any dog or other animal whatever its species or any goods.
Penalty: Five pounds.
- Loitering.** 86. A person shall not loiter upon or about any land or premises of the Commissioners so as to create an obstruction or to be an annoyance or hindrance to any other person.
Penalty: Twenty pounds.
- Entering railway truck, &c.** 87. A person shall not unless expressly authorized to do so by an authorized employee—
(i) enter a railway truck which contains any goods; or
(ii) remove any goods from a railway truck.
Penalty: Twenty pounds.
- Rubbish, filth, &c.** 88. A person shall not except in circumstances in which the act or omission is authorized by a by-law throw or place or leave or deposit or by any act or omission cause it to happen that there shall be thrown or placed or left or deposited in or upon or about any vehicle or premises of the Commissioners—
(i) any rubbish or refuse or filth or any noisome offensive or putrid matter; or
(ii) any matter or thing likely to cause injury to any other person or damage to property; or
(iii) any matter or thing calculated to cause annoyance to any other person.
Penalty: Twenty pounds.
- Confetti.** 89. A person shall not throw or place or leave or deposit in or upon about any vehicle or premises of the Commissioners any confetti paper streamer rose leaves rice paper bag handbill or wastepaper of any kind.
Penalty: Five pounds.
- Examination of goods, &c.** 90. A person shall while upon premises of the Commissioners in a goods yard or other place at which goods are received for transport by rail or delivered after such transport upon being requested to do so by an authorized employee—
(i) permit the said employee to examine any goods in his care custody or control; and
(ii) where a pass-out docket has been issued produce the docket to the said employee.
Penalty: Five pounds.
- Refund on unused tickets.** 91. A person shall not with intent to defraud obtain or attempt to obtain a refund of the surrender value of an unused ticket to which he is not entitled.
Penalty: Twenty pounds.

In witness whereof the common seal of the Victorian Railways Commissioners was affixed hereto this twentieth day of June, in the year of our Lord One thousand nine hundred and forty-seven, in the presence of—

	N. C. HARRIS,	} Victorian Railways Commissioners.
L.S.	M. J. CANNY,	
	R. G. WISHART,	

Confirmed by the Governor in Council,
8th July, 1947.
C. W. KINSMAN,
Clerk of the Executive Council.

Local Government Act 1928, Part 42, Section 858.

LICENCES TO OCCUPY UNUSED ROADS.

NOTICE is hereby given that Licences to Occupy Unused Roads have been issued to the following approved applicants, and that the Licence Fee specified in each case has been received by the Accountant, Lands Department, Melbourne, C.2.

Number of Licence.	Name and Address of Licensee.	Municipality.	Parish.	Abutting— Allotments and Sections.	Area.		Fee for Licence.	Date of Issue of Licence.	Date of Expiry of Licence.
					A. R. P.	£ s. d.			
35121	Riddock, J. A. D., "Burnside," Nareen	Wannon ..	Tarrayoukan	Western half between 116 and 123B	4 2 0	0 11 3	1.1.46	31.12.48	
35122	Spurrell, J. E., Eltham ..	Wannon ..	Muryrtym ..	Between 72 and 60 ..	25 0 32	1 5 3	1.1.46	31.12.48	
35123	McKenzie, R., Condah ..	Minhamite	Ardonachie	North of 2, section 15 ..	4 0 0	1 8 0	1.1.46	31.12.48	
35124	Boyer, W., Narrawong ..	Portland ..	Narrawong	East of 18, section 2, between 29A, section 2, and eastern portion of 20, section 2	9 0 0	0 9 0	1.1.46	31.12.48	
35125	Reid, D., Konong Wootong	Wannon ..	Konong Wootong	South-west of 3A and south of 3A	1 2 2	0 6 0	1.1.46	31.12.48	
35126	Hayes, E. J., Glenthompson	Mount Rouse	Yuppekiar	South of 24H and 24J ..	4 0 0	0 12 0	1.1.46	31.12.48	
35127	McPherson, J., 108 Percy-street, Portland	Portland ..	Bolwarra ..	North, south, east and west of A, section 19	15 0 0	0 15 0	1.1.45	31.12.47	
35128	Wright, F. H., Coleraine ..	Glenselg ..	Tahara ..	South-east of 1 and part 6, south of 6	6 0 0	5 2 0	1.1.46	31.12.48	
35129	Outramm, S., Digby ..	Portland ..	Digby ..	West of 56 (north of creek)	6 0 0	0 9 0	1.1.46	31.12.48	
35130	Outramm, F., Digby ..	Portland ..	Hotspur ..	North of 12A, 12B, and 13, west of 11A	15 0 0	0 15 0	1.1.46	31.12.48	
35131	Clark, J. T. F., Jallakin, via Edenhope	Kowree ..	Awonga ..	Between 29 and 107 ..	7 0 0	0 7 0	1.1.46	31.12.48	
35132	Grice, J. E., "Aloha," Frankston	Wannon ..	Munthan ..	North-west and west of 78, west-north-west and north of 77	10 2 15	1 16 9	1.1.46	31.12.48	
35133	Tucker, D. McK., "Euramin," Beaufort	Portland ..	Digby ..	South of 59, north of 62	12 0 0	0 16 0	1.1.45	31.12.47	
35134	Ross, E. C., Corea, South Station	Mount Rouse	Corea ..	West of 61A, 61B, south of 61B, 70B, 90B, and 98B, between 70A, 70B, 71A, 71B, and 90A, 90B, 89A, 89B	28 1 0	5 6 0	1.1.47	31.12.49	
35135	Thomson, A. L., Corea, Dunkeld	Mount Rouse	Corea ..	East of 124A, 124B ..	4 0 0	0 16 0	1.1.47	31.12.49	
35136	Thomson, D. P., Corea, Dunkeld	Mount Rouse	Corea ..	North of 35A, 40A, 63A, 68A, and 92A; west of 64A, 64B, 63A, 63B, 62A, 62B; west of 125A, 125B; east of 95B, 96A, 96B, 125A, 125B; north of 95B	53 2 0	9 0 3	1.1.47	31.12.49	
35137	Shaw, G., Pleasant Hills, Digby	Portland ..	Digby ..	South of 58B ..	4 0 0	0 6 0	1.1.46	31.12.48	
35138	Moller, E. C., 14 Alford-street, Stawell	Stawell ..	Illawarra ..	South of 8B, section 1 ..	3 2 0	0 3 6	1.1.46	31.12.48	
35139	Gaulke, W. V., Yarranyurk	Kowree ..	Durong ..	West of 23, section A ..	6 0 0	0 2 6	1.1.46	31.12.48	
35140	Peterson, L., Coleraine ..	Wannon ..	Konong Wootong	Parts south-west of 3A	0 3 8	0 4 0	1.1.46	31.12.48	
35141	Tepper, E. J. L., Coramby, via Murtoa	Wimmera ..	Dooen ..	South half, west of 114	3 2 0	0 5 6	1.1.46	31.12.48	
35142	Humphries, T. C., "Moora-binda," Harrow	Kowree ..	Kadnook and Connewirricoo	Between 27, Connewirricoo, and 110, Kadnook	5 3 0	0 11 6	1.1.46	31.12.48	
35143	Johnson, F., Greenwald ..	Portland ..	Wataepoolan	Between 46 and 46A ..	11 0 0	0 5 6	1.1.46	31.12.48	
35144	Kilsby, C. R., Box 225, Hamilton	Portland ..	Byambynee	East of 5, 6A, 6B, 7A, 7B, south of 10	16 0 0	3 4 0	1.1.46	31.12.48	
35145	Westendorf, W. G. and D. I., Winiam	Lowan ..	Winiam ..	North and east of 18, 21, 20	14 0 0	3 18 0	1.1.46	31.12.48	
35146	Malseed, R., Drik Drik ..	Portland ..	Warrain ..	West of 31, 31A ..	11 2 0	0 8 0	1.1.46	31.12.48	
35147	Storey, M., Port Fairy ..	Port Fairy ..	Belfast ..	North-east of 11, 12, 13, 14	2 2 0	2 10 0	1.1.46	31.12.48	
35148	McKay-Shaw, M. J., Rifle Downs, Digby	Portland ..	Hotspur ..	North of 5 ..	2 0 0	0 2 6	1.1.46	31.12.48	
35149	Gray, A. J., Condah ..	Portland ..	Myamyn ..	Part west of 1A, section 2	1 0 0	0 3 0	1.1.46	31.12.48	
35150	Brooksby, J. L., and Scarlett, Mrs. E. M., Harrow	Wannon ..	Moyston ..	North of 102 ..	12 3 25	0 13 6	1.1.45	31.12.47	
35151	Firman, R. K. and I. S., Gorae West	Portland ..	Mouzie ..	Between 15 and 16 ..	4 0 0	0 8 0	1.1.46	31.12.48	
35152	Irdell, K. J., Goroke ..	Arapiles ..	Kalingur ..	South, east, and west of 21 and 22	37 2 0	0 3 1	1.1.46	31.12.48	
35153	Stuchbery, E. B., Private Bag 11, Portland	Portland ..	Tarragal ..	East of 16, south of 4 (2,500 links)	2 2 0	0 5 0	1.1.45	31.12.47	
35154	Moore, E., Bridgewater-road, Portland	Portland ..	Tarragal ..	East of 17, south of 4 (2,500 links)	2 2 0	0 5 0	1.1.45	31.12.47	
35155	Goodwin, O. G., Lillimur ..	Kaniva ..	Dinnyarrak	South of 3, 4A, 6B ..	15 0 0	0 10 0	1.1.47	31.12.49	
35156	Burgin, M. J., Box 125, Hamilton	Dundas ..	Yulecart ..	East of 4, section 10A ..	3 0 21	0 15 0	1.1.47	31.12.49	
35157	Lewis, C., "Yarella," Cavedish	Dundas ..	Yulecart ..	South of 2, section 17 ..	3 2 32	0 12 3	1.1.47	31.12.49	
35158	Walker, R. P., Goroke ..	Kowree ..	Dopewarra	Between 78, 79, and 80	12 0 0	0 3 0	1.1.45	31.12.47	

LICENCES TO OCCUPY UNUSED ROADS—*continued.*

Number of Licence.	Name and Address of Licensee.	Municipality.	Parish.	Abutting— Allotments and Sections.	Area.	Fee for Licence.	Date of Issue of Licence.	Date of Expiry of Licence.
					A. R. P.	£ s. d.		
5159	Sanderson, E. M., "Coolamure," Dunkeld	Dundas	Cavendish	North of 1A, 2A, section 2J; west of 1AB, 4AB, section 23; west of 1AB, 4AB, section 12	26 3 38	4 14 6	1.1.47	31.12.49
35160	Laidlaw, R. J., Handfield, T. H. L., and Strachan, J. F., "Ardachy Estate," c/o Messrs. Whiting and Byrne, solicitors, 101 Williamstreet, Melbourne	Dundas	Murndal	East of 6 and north and east of 6C, section 10	5 0 11	0 16 5	1.1.45	31.12.47

L. W. GALVIN,

Commissioner of Crown Lands and Survey.

Department of Lands and Survey (Unused Roads and Water Frontages Branch),
Melbourne, 2nd July, 1947.

INDUSTRIAL AND PROVIDENT SOCIETIES ACT 1928.

NOTICE is hereby given that a society called "The Riddell's Creek Co-operative Society Limited" is registered under the provisions of the above Act.

Given under my hand this 2nd day of July, 1947.

A. E. RASMUSSEN,
Registrar of Friendly Societies.

KOROIT WATERWORKS TRUST.

RATING BY-LAW FOR THE YEAR 1947.

THE Koroit Waterworks Trust, in pursuance and exercise of the powers conferred by the Water Acts, doth hereby make a rate for the supply of water, at Twenty pence in the pound on the annual municipal valuation of the lands and tenements within the Koroit Urban District.

Provided that in no case shall the amount of the rate payable per annum in respect of any land upon which there is a building be less than Fifteen shillings, and in respect of any vacant land be Thirteen shillings and four pence.

Such rate is for the year commencing the first day of January, 1947, and shall be payable on the first day of August, 1947, at the office of the said Trust.

Passed this 4th day of June, 1947.

(SEAL) JAMES L. CORBETT, Chairman.
MARTIN J. BOURKE, Secretary.Approved by the Governor in Council,
1st July, 1947.C. W. KINSMAN,
Clerk of the Executive Council.

OMEQ WATERWORKS TRUST.

RATING BY-LAW, 1947.

THE Omeo Waterworks Trust, in pursuance and exercise of the powers conferred by the Water Acts, doth hereby make a rate for the supply of water for domestic purposes of Three shillings in the pound on the annual municipal valuation of lands and tenements liable to be rated within the Omeo Urban District.

Provided that in no case shall the amount of rate payable per annum in respect of any tenement (other than land on which there is no building) be less than One pound fifteen shillings, and in respect of land on which there is no building less than the sum of Fifteen shillings.

Such rates are made and shall be levied upon the occupiers or owners of the said lands and tenements for the year commencing the 1st day of January, 1947, and shall be payable on the 9th day of July, 1947, at the office of the said Trust.

Passed this 14th day of May, 1947.

(SEAL) E. E. FOSTER, Chairman.
J. W. BALES, Secretary.Approved by the Governor in Council,
1st July, 1947.C. W. KINSMAN,
Clerk of the Executive Council.

SHIRE OF MOUNT ROUSE WATERWORKS TRUST.

AUTHORITY TO OBTAIN A BANK OVERDRAFT.

HIS Excellency the Governor of the State of Victoria, by and with the advice of the Executive Council of the said State, doth by Order in Council made on the 1st day of July, 1947, authorize the Shire of Mount Rouse Waterworks Trust to obtain, in pursuance of the provisions of section 271 of the Water Act 1928 (No. 3801), an advance or advances, during the year 1947, from the National Bank of Australasia Limited, Penhurst, by overdraft not to exceed at any time the sum of Two hundred pounds (£200).

C. W. KINSMAN,
Clerk of the Executive Council.At the Executive Council Chamber,
Melbourne, the 1st July, 1947.

Water Acts.

STATE RIVERS AND WATER SUPPLY COMMISSION.

CHELSEA-FRANKSTON, AND BARWON HEADS AND OCEAN GROVE URBAN DISTRICTS.

NOTICE to owners of tenements in the under-mentioned streets in the above-mentioned urban districts, and the private streets, lanes, courts, and alleys opening thereto—

Chelsea-Frankston Urban District.

McMahon's-road, from Hastings-road to a point opposite lot 49 on lodged plan of subdivision No. 1367, about 7½ chains north-easterly.

Barwon Heads and Ocean Grove Urban District.

Barwon Heads-road, from Punt-road to a point opposite lot 76 on lodged plan of subdivision No. 3804, about 11 chains southerly.

The main pipe in the said streets being laid down, the owners of all tenements situated as above are hereby required, on or before the 9th day of August next, to cause proper pipes and stop cocks to be laid, so as to supply water within such tenements from the main pipe.

L. DUGGAN,
Secretary.State Rivers and Water Supply Commission,
Melbourne, 4th July, 1947.

Public Authorities Marks Act 1930.

MELBOURNE AND METROPOLITAN BOARD OF WORKS.

BY-LAW No. 41.

Corrigendum.

For the words and figures "Tops, adjustable 4½d." in Division 4, Stoneware and Cement Pipes and Fittings, of By-law No. 41, published in the Victoria Government Gazette of the 25th June, 1947, read "Tops, adjustable 1½d."

FARM PRODUCE AGENTS ACTS (Nos. 5, 3678, 4208, 4662, AND 4736).

LIST of persons to whom Farm Produce Agents' Licences have been issued for the year ending December, 1947, and each of whom has lodged a fidelity bond, in accordance with the requirements of the Act:—

<i>Name; Principal Place of Business.</i>	<i>Name; Principal Place of Business.</i>
Acme Seed Store, 95 O'Grady-street, Clifton Hill.	Callanders Pty. Ltd., Murphy-street, Wangaratta.
Agg and Simpson, Kangaroo Flat.	Cameron, F. W., Main-road, Doncaster.
Aitken, D. S., and Co. Pty. Ltd., 24 Walsh-street, Coburg.	Cammerino Bros., 81 Courtney-street, North Melbourne.
Alesci, S., Queen Victoria Market; private address, 10 Latrobe-street, Oakleigh.	Campbells, Mart, 49 Gray-street, Hamilton.
Alexander, G. N., 299 Plenty-road, South Preston.	Captain Distributing Co., 481 Flinders-lane, Melbourne.
Allen, C. J., Station-street, Somerville.	Carter, H. R., and Co. Pty. Ltd., 524 Collins-street, Melbourne.
Anderson, A., Raglan-street, Daylesford.	Cave, F., and Co. Pty. Ltd., 209-211 King-street, Melbourne.
Anderson, David, and Co., Horsham.	Chambers, C. E. and N. O., Red Hill.
Andrew, James, and Co., 7 Queen-street, Bendigo.	Charteris, George, Wandin.
Andrews, C., North Nar Nar Goon.	Chinese Fruit Merchants Assoc. Pty. Ltd., 39 Wholesale Fruit Market, Melbourne.
Angliss, W., and Co. (Aust.) Pty. Ltd., 42 Bourke-street, Melbourne.	Chinn, F. A., and Co., 40 Wholesale Fruit Market, Melbourne.
Anguey, H., and Sons, 32 Peel-street, West Melbourne.	Christie, W. J., 119 Lime-avenue, Mildura.
Ansell, Vernon, and Co. Pty. Ltd., 524 Collins-street, Melbourne.	Cianco, S., Queen Victoria Market; private address, 208 Victoria-parade, East Melbourne.
Ashworth, P. G., 10 Kardinia-street, Geelong.	Clarkson, E., and Sons, The Patch P.O.
Austral Fruit Agency, Queen Victoria Market; private address, 44 Acland-street, St. Kilda.	Cleary, Robert, Queen Victoria Market; private address, 37 Flemington-road, North Melbourne.
Austral Grain and Ambler Pty. Ltd., 46-52 King-street, Melbourne.	Clements, C. E., and Co. Pty. Ltd., 34 Queen-street, Melbourne.
Australian Estates Coy. Ltd., 114 William-street, Melbourne.	Commonwealth Wool and Produce Co. Ltd., 499-501 Bourke-street, Melbourne.
Australian Ice and Cool Stores, 21 Grenville-street, Ballarat.	Conaughton, J. P., and Co., cr. Doveton and Mair streets, Ballarat.
Australian Mercantile Land and Finance Co. Ltd., 122 William-street, Melbourne.	Coonan, Mark, 147 Victoria-street, West Melbourne.
Baker, Harold, Wandin East.	Co-operated Dried Fruit Sales Pty. Ltd., 16-24 Jeffcott-street, Melbourne.
Ballantyne, K. L., Pty. Ltd., 295 Grant-street, South Melbourne.	Co-operative Fishermen's Association of Vic. Ltd., 17 Fish Market, Spencer-street, Melbourne.
Bandias, A., Warrandyte South.	Corio Stores, Little Malop-street, Geelong.
Banson, George, and Son Pty. Ltd., 20 Wholesale Fruit Market, Melbourne.	Cornish, R., and Sons Pty. Ltd., 406 Little Collins-street, Melbourne.
Barbaro, A., Queen Victoria Market; private address, 4 Murray-street, Brunswick West.	Costa Bros., 200 Moorabool-street, Geelong.
Barby, N. E., 367 Mt. Alexander-road, Ascot Vale.	Costa, G., and Co., 9-11 James-street, Geelong.
Barker, Green, and Parke Pty. Ltd., 209-211 King-street, Melbourne.	Cowin, W., 200 Brighton-street, Richmond.
Barrow, Alfred, Pty. Ltd., 47 King-street, Melbourne.	Cowling, W., Market Square, Bendigo.
Barrow Bros. Commission Agency Pty. Ltd., 460-466 Flinders-lane, Melbourne.	Cramer, E., and Sons Pty. Ltd., 54 Tuaggra-street, Maryborough.
Batson and Boddington, Portarlington.	Crea, P., 7 Princess-street, North Melbourne.
Beasley, Thomas, 18 Market-road, Werrisbee	Crickard, F. B., and Co., 31 Queen-street, Melbourne.
Bendigo Open Fruit Market, Hargreaves-street, Bendigo.	Cristofaro, Matteo, Queen Victoria Market, Box 2536, G.P.O., Melbourne.
Bennett, J. F., and Co. Ltd., 1 Curtis-street, Ballarat.	Croydon Market, Croydon.
Berry, Arthur J., Monbulk.	Crystal Ice and Cool Stores Co., Garsed-street, Bendigo.
Betta Pack Fruit Storage Co. Pty. Ltd., 436 Queen-street, Melbourne.	Curnow, J. H., and Son, Mitchell-street, Bendigo.
Bishop, E. W., Queen Victoria Market; private address, 228 Maribyrnong-road, Moonee Ponds.	Currie, A. H., Monbulk P.O.
Bissett, A. F., Whitehorse-road, Ringwood.	Cutbush, G. C., and Co., Dean.
Black, D. C. and W. M., Pakenham Upper.	Dalgety and Co. Ltd., 461-471 Bourke-street, Melbourne.
Black, H. R., 452 Queen-street, Melbourne.	Dalker, Edward, Queen Victoria Market; private address, 92 Haines-street, North Melbourne.
Blackham, W. H., Pty. Ltd., 59-61 King-street, Melbourne.	Daniels, F. H., 86 Erskine-street, North Melbourne.
Blain, R., and Sons Pty. Ltd., 122 King-street, Melbourne.	Davis, J., Pty. Ltd., 8 Wholesale Fruit Market, Melbourne.
Blakely, Bob, and Co., 32 Main-street, Ballarat.	Davis, J., Curdie-street, Camperdown.
Blinkhorn, B., Guildford.	Davy, F. S., Fish Market, Spencer-street, Melbourne.
Bloomfield, G. N., Red Hill.	Deacon and Rangott, Vermont.
Blue Moon Fruit Co-op. Ltd., Blackburn.	Deed, P. L., Moyston-street, Castlemaine.
Bodley, H. H., Riverside-avenue, South Melbourne.	Dennys, Lascelles Ltd., Moorabool-street, Geelong.
Boldt, R. H., Silvan.	Dimattina, S. F., and Co., 50 Wholesale Fruit Market, Melbourne.
Bone, S. H., Belmont, Geelong.	Divola Bros., Eighth-street, Mildura.
Bonsack, R. A., 7 Arlington-street, Ringwood.	Dixon Bros. Pty. Ltd., 122 King-street, Melbourne.
Booth, F., and Son Pty. Ltd., 16 Wholesale Fruit Market, Melbourne.	Dixon, D. N., 623 Collins-street, Melbourne.
Borgia Bros., 53 Garden-street, Geelong.	Doblie Bros., 114 Creswick-road, Ballarat.
Borrett, J. R., Pty. Ltd., 5-7 Fish Market, Melbourne.	Donoghue, J. E., 527 Collins-street, Melbourne.
Borthwick, Thos., and Sons (Aust.) Ltd., 84 William-street, Melbourne.	Downes, R. E., Gembrook-road, Nar Nar Goon.
Borwick, P. B. and R. W., Murray-street, Colac.	Downey, James, 34 King-street, Melbourne.
Bradbury, J. C., 122 King-street, Melbourne.	Downie, R. E., Pty. Ltd., 365 Elizabeth-street, Melbourne.
Bradley, P. A., 369 Sydney-road, Brunswick.	Doyle and McCarthy, 22 King-street, Melbourne.
Brith, J. L., Main-road, Doncaster.	Dykes, M. D., 8 Oakhill-avenue, Regent.
Brooks, R. B., and Co., Dandenong.	Ebbott, F. B., and Co., 465 Collins-street, Melbourne.
Brophy, Foley, and Co., Market-square, Ballarat.	Edwards, M. T., Red Hill South.
Brown and Dureau Ltd., 434 Collins-street, Melbourne.	Elder, Smith and Co. Ltd., 14 Malop-street, Geelong.
Brown, G. T., Kaniva.	Fairbairn, L. A., and Co., 137 William-street, Melbourne.
Bryant and Gourley, 18 Peel-street, Ballarat.	Falla and Pitty, Donald.
Bunge (Aust.) Pty. Ltd., 419 Collins-street, Melbourne.	Fallow Products Agency, 422 Collins-street, Melbourne.
Burrumbeet and Windermere Farmers Co-op. Society Ltd., 32 Doveton-street, Ballarat.	Ferlazzo, G., and Co., Queen Victoria Market; private address, 26 Shuter-street, Moonee Ponds.
Butler and Moss, 645 Elizabeth-street, Melbourne.	Ferris, H., Mollison-street, Kyneton.
Butler, E., and Sons, Tallangatta.	Foley Bros. Pty. Ltd., 491 Flinders-lane, Melbourne.
Butler, T. E., 486 Collins-street, Melbourne.	Footscray Produce Store, 71-73 Victoria-street, Footscray.
	Foy and Co., 36 Wholesale Fruit Market, Melbourne.
	Frankel, G. and S., 44 Wholesale Fruit Market, Melbourne.
	French, E. G., Victoria-street, Hastings.
	French, G., McLeod-road, Carrum.

Name; Principal Place of Business.

Galloway, William, Garden-street, East Geelong.
 Gandolfo, G., Queen Victoria Market; private address, 159 Capel-street, North Melbourne.
 Garlick, W. J., Lindenow South.
 Gattuso, G., and Sons, 127 Grattan-street, Carlton.
 Gaudion, P. G., Wandin Yallock.
 Geelong Auction Market, cr. James and Little Malop streets, Geelong.
 Geelong and Cressy Trading Co. Ltd., 138 Malop-street, Geelong.
 Geraldton Fruit Co., 57 Wholesale Fruit Market, Melbourne.
 Gilchrist, J. F., High-street, Woodend.
 Gill, R. W., Yarra-road, Croydon.
 Gippsland and Northern Co-op. Co. Ltd., 492 Flinders-lane, Melbourne.
 Gleeson, Bridget, Tower Hill, Warrnambool.
 Goad, H. C., Commercial-street, Korumburra.
 Godfrey, Dan, and Co. Pty. Ltd., Dandenong.
 Golden Valley Fruit Co. Pty. Ltd., 15 Wholesale Fruit Market, Melbourne.
 Goldsbrough, Mort, and Co. Ltd., 526 Bourke-street, Melbourne.
 Goodall, F. T., Croydon-road, Croydon.
 Goodwin, N. F., 117 Somerset-street, Richmond.
 Goulding, J. F., 483 Collins-street, Melbourne.
 Goulding, J. W., 413 Collins-street, Melbourne.
 Gowling, A. W., Seville.
 Grant and Quick, 16 Shiel-street, North Melbourne.
 Granter, D. F. F., 414 Pt. Nepean-road, Brighton.
 Great Southern Co-op. Co. Ltd., Beach-road, Foster.
 Green, N., Queen Victoria Market; private address, 155 Arnold-street, North Carlton.
 Greenfields Pty. Ltd., 34-36 Doveton-street, Ballarat.
 Greening, H. E., Lava-street, Warrnambool.
 Grigg, John T., St. Arnaud.
 Grindal, E. H., 1 Wales-street, West Brunswick.
 Guy's Fruit Service, 254 Railway-place, Flemington.

Haebich, Les, 71b Shed, Victoria Market; private address, 249 Franklin-street, Melbourne.
 Hall, N., and Son, 204 Mitchell-street, Bendigo.
 Hall, W. E., 6 Church-street, Belmont.
 Hanan, J. F., 44 Seymour-street, Traralgon.
 Hanbury, J. E., and Son Pty. Ltd., 33-35 King-street, Melbourne.
 Hancock, A. W., and Co., 104 Armstrong-street north, Ballarat.
 Hanger, H., Queen Victoria Market; private address, 91 Toorak-road, South Camberwell.
 Harrison, J. M., 65 Pender-street, Thornbury.
 Harvey, Dann, and Co. Pty. Ltd., 57-59 Gheringhap-street, Geelong.
 Houghton, W., and Co. Pty. Ltd., 545 Little Collins-street, Melbourne.
 Hawke, C. H., 273 Williamson-street, Bendigo.
 Henderson, B. S., Mountain Highway, The Basin, Bayswater.
 Hermon, W. J., Menzies Creek, via Belgrave.
 Hill, Frank A., Pty. Ltd., Charing Cross, Bendigo.
 Hill, J., and Sons Pty. Ltd., Fish Market, Melbourne.
 Holden, R. H., Wandin.
 Holden, W. M., Hogan-street, Tatura.
 Hong On and Co., 42 Wholesale Fruit Market, Melbourne.
 Hoopell, J. S., Mollison-street, Malmesbury.
 Hopkins, C. A., 139 High-street, Shepparton.
 Howe, A. F., Hunter-road, Wandin Yallock.
 Hurst and Green, 92 Exhibition-street, Melbourne.
 Hutchinsons Finley Flour Milling and Agency Co. Pty. Ltd., Hartington-street, Glenroy.
 Hyland, David, and Sons Pty. Ltd., 456 Flinders-lane, Melbourne.
 Hyman, J., and Sons, 51 Wholesale Fruit Market, Melbourne.

International Fruit and Mercantile Co., 6 Wholesale Fruit Market, Melbourne.
 Interstate Fruit Co., 50 Wholesale Fruit Market, Melbourne.
 Italiano, Leo, 301 Batman-street, West Melbourne.

Jackson Bros., James-street, Yarram.
 James, H. K., Fish Market Buildings, Spencer-street, Melbourne.
 Jennings, V. E. and R. S., Olive-grove, Dandenong.
 Johnson, T. W., Wandin East.
 Judson and Roberts, 311 Williamson-street, Bendigo.

Kealy, M. A., Coragulac.
 Kearney, Leo, Murchison.
 Kenny, J. C., Murchison.
 Kenny, W. R., Kalorama.

Name; Principal Place of Business.

Kilmore-Broadford Dairy Co., Kilmore.
 Kilpatrick, McLellan, and Co. Pty. Ltd., Melville-street, Numurkah.
 King and Heath, Main-street, Bairnsdale.
 King, E. C., Pty. Ltd., 2 Wholesale Fruit Market, Melbourne.
 King, J. L., 9 Queen-street, Bendigo.
 Kirks Bazaar, 1144 Mount Alexander-road, Essendon.
 Kirkwood, John, 51 William-street, Melbourne.
 Koroit and Tower Hill Farmers Co-op. Society Ltd., Koroit.
 Korumburra Co-op. Butter Factory and Trading Co. Ltd., Korumburra.
 Kotsiakos, C. J., Moyston-street, Castlemaine.
 Kurtze, A. H., Garden-street, Portland.
 Kurtze, R. J., 7th-street, Mildura.

Lambie, D. A., Merbein.
 Lanteri, Santi, Queen Victoria Market; private address, 20 Glen Eira-road, Ripponlea.
 Lawless, T. J., and Co., 107-109 Lydiard-street, Ballarat.
 Ledger, Herbert, Wann and Co., Bridge-street, Benalla.
 Leong Hoong Cheong and Co., 58 Wholesale Fruit Market, Melbourne.
 Lewthwaite, J. D., 128 Ford-street, Ivanhoe.
 Lister, George, Pty. Ltd., 168 Franklin-street, Melbourne.
 Logan, T. G., 1103 Dandenong-road, East Malvern.
 Louey Pang, H., and Co. Pty. Ltd., 168 Franklin-street, Melbourne.
 Lovett, H. L. E., and Co., 23 Wholesale Fruit Market, Melbourne.
 Lowan, H. W., Queen Victoria Market, Box 2604W, G.P.O., Melbourne.
 Lucas, D. S., and Co., 9 Wholesale Fruit Market, Melbourne.
 Lyaal and Son Pty. Ltd., 39 Leveson-street, North Melbourne.
 Lyaal, Sidney, Victoria-street, North Melbourne.

Macarthur, A., and Co., McMillan-street, Bairnsdale.
 Mace, E. H., 122 King-street, Melbourne.
 Man, Hop, 54 Wholesale Fruit Market, Melbourne.
 Martakis, G., 390 Clarendon-street, South Melbourne.
 Maryborough Flour Mills Pty. Ltd., 38 Albert-street, Maryborough.
 Mason, G. F., Queen Victoria Market, Box 1580P, G.P.O., Melbourne.
 Mathieson, Davis, Macarthur, and Co. Pty. Ltd., 53 Raymond-street, Sale.
 Melbourne Butter Supply Pty. Ltd., 184-188 Bank-street, South Melbourne.
 Melbourne Fruit Co., Queen Victoria Market, Victoria-street, Melbourne.
 Melgaard, R. G., and Co. Pty. Ltd., Scott-street, Dandenong.
 Mellor, F. R., 452 Queen-street, Melbourne.
 Mentiplay, D., and Co. Pty. Ltd., 27 Wholesale Fruit Market, Melbourne.
 Michell and Son, Newlyn.
 Mitchell, J. M., Victoria Market; private address, 12 McDonald-street, Glen Iris.
 Miller, A. F., Church-road, Doncaster.
 Mills, Alfred, and Sons Pty. Ltd., 438 Queen-street, Melbourne.
 Miners Fruit Palace, Market Building, Little Malop-street, Geelong.
 Monaghan and McDonald Pty. Ltd., Commercial-street, Korumburra.
 Moorabbin Poultry Auction Sales, Point Nepean-road, Moorabbin.
 Moore, A., Wood-street, Donald.
 Moore and Welsh, 292 Murray-street, Colac.
 Morden, J., Koo-wee-rup.
 Morris, G. N., and Co., Central Market, Colac.
 Morton, T. R. B., and Son, 34A Main-street, Box Hill.
 Moss, J., and Sons, 11 Wholesale Fruit Market, Melbourne.
 Moulden, E. T., and Sons Pty. Ltd., 294-8 Victoria-street, North Melbourne.
 Mulholland, D. J., 24 Arthurton-road, Northcote.
 Mumford, J. G., 35 Wholesale Fruit Market, Melbourne.
 Muratore, V., 56 Chetwynd-street, West Melbourne.
 Murphy, D. and L., 666 Burke-road, Camberwell.
 Murphy, W. T., Bros. Pty. Ltd., 594 Burwood-road, Auburn.
 Murphy and Greer, McLeod-street, Orbst.
 Murrells and McNicol, Napier-street, St. Arnaud.
 McBeth, J. P., 207 Neerim-road, Carnegie.
 McCarthy, H. A., corner Pleasant and South streets, Ballarat.
 McColl and Buzza Pty. Ltd., 865 Dandenong-road, Caulfield East.
 McCraith, John A., Fish Market Buildings, Spencer-street, Melbourne.

- Name; Principal Place of Business.*
- McCulloch Carrying Co. Pty. Ltd., 468 Collins-street, Melbourne.
- McDermott, W. G., junr., Silvan-road, Silvan.
- McDonald, Thompson, and Williamson Pty. Ltd., 541 Flinders-street, Melbourne.
- McKeever and Co., "The Rialto," Collins-street, Melbourne.
- McLean, N. N., Pty. Ltd., 395 Queen-street, Melbourne.
- McLean, A., and Son, Smythe-street, Benalla.
- McLennan, K. N., 125 Hassett-street, Leongatha.
- McNamara, J., and Co., Numurkah.
- McPhail, Anderson, and Co., 436 Bourke-street, Melbourne.
- McRae, John, and Son Pty. Ltd., Jung.
- Nash, S., and Sons, Drysdale.
- Natoli, Robert, 198 Bellarine-street, Geelong.
- Neerim and District Produce Agency, 222 Tyler-street, Preston.
- New Zealand Loan and Mercantile Agency Co. Ltd., 538-544 Collins-street, Melbourne.
- Nicholson, G., 365 Burke-road, Gardiner.
- Nolan, C. H., 527 Collins-street, Melbourne.
- Nolan, T. J., Railway-street, Euroa.
- Noonan, J. F., Pty. Ltd., 623 Collins-street, Melbourne.
- Norris and Wilkinson, Tinning-street, Brunswick.
- North Eastern Co-op. Society Ltd., Reid-street, Wangaratta.
- North Western Fruit Growers Ltd., 33 Peel-street, Ballarat East.
- Nuttall, Ellis, and Co., Williamson-street, Bendigo.
- Oberman, J., and Co. Pty. Ltd., 22 Wholesale Fruit Market, Melbourne.
- O'Hara, Thos., 315 Coventry-street, South Melbourne.
- O'Kane, M., Melville-street, Numurkah.
- O'Neill, Son, and Jones, Sutton-street, Maryborough.
- Onians, R. and A., 100 King-street, Melbourne.
- Orlando, T., and Co., Queen Victoria Market; private address, 9 Ormond-street, Eaglemont.
- O'Shea, Jeremiah, 77 Flemington-road, North Melbourne.
- O'Toole, H. J., Illowa.
- Pack, Kee, 55 Wholesale Fruit Market, Melbourne.
- Parker, A. J., and Co., Murray-street, Colac.
- Parker, G. E., and Son, Main-road, Hurstbridge.
- Parnhams Bentleigh Auctions, Jasper-road, Bentleigh.
- Pays Victoria Stores, Victoria-street, Kerang.
- Peachy, R. A., and Son, 623 Collins-street, Melbourne.
- Pearce, E. H., Springfield-road, Blackburn.
- Pellegrino, A., 30 Greeves-street, Fitzroy.
- Pellegrino, C., 290 Victoria-street, North Melbourne.
- Permewan, Wright Ltd., 31 King-street, Melbourne.
- Perrett, C. H. and A. M., 84 Main-street, Bairnsdale.
- Perry, S. J., and Co., 364 Little Collins-street, Melbourne.
- Pette, V., 139 Abbotsford-street, North Melbourne.
- Pilmore and Jackman, Dimboola.
- Pirrie Bros., 136 Exhibition-street, Melbourne.
- Pitt, A. E., 14 Wholesale Fruit Market, Melbourne.
- Plum, Stan, Wangaratta.
- Ponte, L., 212 Capel-street, North Melbourne.
- Potter Bros. Pty. Ltd., Williamson-street, Bendigo.
- Poultrymans and Farmers Trading Co., 280-86 Queensberry-street, North Melbourne.
- Pratt, David, and Sons, 215-221 Mair-street, Ballarat.
- Preston, W., 39 Murray-street, Elsternwick.
- Producers Co-op. Distributing Society Ltd., 180 Franklin-street, Melbourne.
- Puller and Nephew, 59 Wholesale Fruit Market, Melbourne.
- Pyramid Co-op. Society Ltd., Kelly-street, Pyramid Hill.
- Quick, P. R., and Sons, 438 Queen-street, Melbourne.
- Quong, Hi Shing, 113 Little Bourke-street, Melbourne.
- Quong, Hoong Wah, 41 Wholesale Fruit Market, Melbourne.
- Raffaele, Joseph, Main-street, Bairnsdale.
- Ramsay's Orange House, Red Cliffs.
- Read, H. L., Seville.
- Regan and Kenny, 33 Wholesale Fruit Market, Melbourne.
- Rhodes, W. J., Larnack-grove, Baxter.
- Richardson, A., and Co., 2 King-street, Melbourne.
- Richardson, H. F., and Co., Little Malop-street, Geelong.
- Roberts, Leslie, 13 Devon-avenue, West Coburg.
- Robertson and Gardner, 452-454 Flinders-lane, Melbourne.
- Robertson, E. C., Pty. Ltd., 527 Collins-street, Melbourne.
- Robinson, S. and D., Melton South.
- Rodriguez Bros., Queen Victoria Market; private address, 156 Donald-street, Brunswick.
- Rogerson, George, Railway Yards, Shepparton.
- Rose, Arthur Thomas, Queen Victoria Market; private address, 30 Lambeth-avenue, Armadale.
- Rosenfield, B., 52 Wholesale Fruit Market, Melbourne.
- Ross, J. W., 15 Wholesale Fruit Market, Melbourne.
- Name; Principal Place of Business.*
- Rossin, G., Queen Victoria Market, Melbourne; private address, 75 Moreland-road, East Coburg.
- Rouget, E. W., Wandin.
- Royle, W., and Sons, 483 Flinders-lane, Melbourne.
- Rullo, Vincent, Box 518, Mildura P.O.
- Sabatino and N. Ardella, 82 Queensberry-street, Carlton.
- Saltau and Son Pty. Ltd., 121 Kepler-street, Warrnambool.
- Salvaris, G., 161 Seventh-street, Mildura.
- San, Goon, and Co., 56 Wholesale Fruit Market, Melbourne.
- Santalucio, A., 152 Peel-street, North Melbourne.
- Sauer, E. E., 69 Langtree-avenue, Mildura.
- Sawyer and Devlin, Wilson-street, Horsham.
- Scanlon, J., 2 Bond-street, Sale.
- Schutt and Barrie Pty. Ltd., Geelong-road, West Footscray.
- Scott, Alex, and Co. Pty. Ltd., 297 Lonsdale-street, Dandenong.
- Scown, L. H., 15 Rutherford-street, Swan Hill.
- See Gee Fruit Co., Queen Victoria Market; private address, Murchison.
- Settineri, A., 163 Capel-street, North Melbourne.
- Sfirro, L., Queen Victoria Market; private address, 120 Capel-street, North Melbourne.
- Shea, Hood and Co. Pty. Ltd., 537 Flinders-lane, Melbourne.
- Shilliday Bros., 45 Langtree-avenue, Mildura.
- Silbert, Sharp and Davies Pty. Ltd., 17 Wholesale Fruit Market, Melbourne.
- Silk Bros. Pty. Ltd., 24 Wholesale Fruit Market, Melbourne.
- Simmons, S. F., 9 Blackwood-street, North Melbourne.
- Skews, R., and Son, 46 Queen-street, Warragul.
- Smith, David, Pty. Ltd., 3 Wholesale Fruit Market, Melbourne.
- Smith, L. A., 25 Doveton-street, Ballarat.
- Smith, Robert, 363 Flinders-street, Melbourne.
- Smith, W., Queen Victoria Market; private address, 2 Olga-street, Coburg.
- Stagg, Chas. A., and Co., Maffra.
- Star Fruit Co., 464 Queen-street, Melbourne.
- Starr, R. K.; 8 Orr-street, Yarrowonga.
- Stellarto, L., Queen Victoria Market; private address; 158 Peel-street, North Melbourne.
- Stott, T., and Sons, 26 Wholesale Fruit Market, Melbourne.
- Strachan and Co. Ltd., 25-43 Moorabool-street, Geelong.
- Straw Products Pty. Ltd., 84 William-street, Melbourne.
- Stuart, Ralph A., and Co. Pty. Ltd., 357-367 King-street, Melbourne.
- Sun, Loong, 46 Wholesale Fruit Market, Melbourne.
- Symons, J. P., Heyfield.
- Tainton, H. S., Victoria Market; private address, Canterbury-road, Forest Hill.
- Tassicker & Co. Pty. Ltd., Nelson-street, Nhill.
- Thomas, L., Market Buildings, Victoria-street, West Melbourne.
- Thompson Bros., Chaff and Produce Pty. Ltd., Cherry-street, Werribee.
- Thompson, S. W., Wandin North.
- Thompson, W. L., Melbourne-road, Yea.
- Thustain, R. J., Red Hill.
- Till, Henry, & Son, 35 Peel-street, North Melbourne.
- Tinney Bros. & Hanrahan Pty. Ltd., Bungaree.
- Tinney, W. D., High-street, Lancefield.
- Tomaino, Francis, 147 Brighton-road, St. Kilda.
- Tong, W. S., 31 Wholesale Fruit Market, Melbourne.
- Torney, R., Kingston.
- Torre & Restuccia, Box 133A, G.P.O., Melbourne; private address, 103 Bridport-street, Albert Park.
- Trawin, J. A., 122 King-street, Melbourne.
- Tulloch & Co., 114 King-street, Melbourne.
- Tyner, J. R., & Co., 465 Collins-street, Melbourne.
- Tyner, W., Pty. Ltd., 475 Collins-street, Melbourne.
- Unthank, R. E., Hodgins-road, Hastings.
- Vale, F. S., 1 Dumblane-avenue, Ascot Vale.
- Vary & Hanson, Morwell.
- Vaughan, Chas., & Co., cr. Bath and Armstrong streets, Ballarat.
- Vawdrey, W., 66 Moorabool-street, Geelong.
- Vear, F. W., Pty. Ltd., 28 Wholesale Fruit Market, Melbourne.
- Venuto, Nicolo, 7 Melbourne-road, Geelong.
- Victorian Butter Factories Co-op. Ltd., 54-60 King-street, Melbourne.
- Victorian Producers Co-op. Ltd., 578 Flinders-lane, Melbourne.
- Victorian Wheatgrowers Co-op. Ltd., 17 Queen-street, Melbourne.
- Villani, Antonio, Box 5311BB, G.P.O., Melbourne.

Name; Principal Place of Business.

Wade, H. M., & Co., 21 Wholesale Fruit Market, Melbourne.

Wadson Bros., Diamond Creek.

Walter, W., & Sons Pty. Ltd., Main-street, Willaura.

Wallis, G. S., Rainbow.

Ward, H. S. K., Pty. Ltd., 34-38 Spencer-street, Melbourne.

Watkins, L. J., 74 Little Meyer-street, Geelong.

Watkins Fruit Co. Pty. Ltd., 5 Wholesale Fruit Market, Melbourne.

Watson, D. F., cr. Maude and High streets, Shepparton.

Watts, Turnbull & Co., Benalla.

Weddel & Co. (Aust.) Pty. Ltd., 43 King-street, Melbourne.

Western District Co-op. Produce & Insurance Co. Ltd., 14-20 King-street, Melbourne.

Western Fruit Produce Co. Pty. Ltd., Market-square, Ballarat.

Whaley, W. G., 9 Fitzgibbon-avenue, West Brunswick.

White, A. G., Queen's-road, Sylvan.

Williams, A. E., Queen's-road, Silvan.

Williams, H. E., & Sons Pty. Ltd., 9 High-street, Maryborough.

Willis Bros., Piper-street, Kyneton.

Wilson, A., L. Shed, Victoria Market; private address, 267 Pigdon-street, North Carlton.

Wilson & Frazer, 996-1000 Lygon-street, North Carlton.

Wilson, H., Pty. Ltd., 10 Wholesale Fruit Market, Melbourne.

Wing Hie & Co., 53 Wholesale Fruit Market, Melbourne.

Wing, R. A., & Co., 37 Wholesale Fruit Market, Melbourne.

Wing Young & Co., 38 Wholesale Fruit Market, Melbourne.

Woolf, G., & Sons Pty. Ltd., 29-30 Wholesale Fruit Market, Melbourne.

Wright, Stephenson (Australia) Pty. Ltd., 34 Queen-street, Melbourne.

Yee Hop Loong & Co., 32 Wholesale Fruit Market, Melbourne.

Yee Tong & Co., 43 Whole Fruit Market, Melbourne.

Yeoman Bros., Snake Valley.

Yick Sam & Co., 39 Wholesale Fruit Market, Melbourne.

Young & Co., 201 Main-street, Ballarat.

Young, Sang, 45 Wholesale Fruit Market, Melbourne.

Young, S. T., 65 Pynsent-street, Horsham.

Young, Tim, & Co. Pty. Ltd., 18 Wholesale Fruit Market, Melbourne.

Youngusband Ltd., 94 King-street, Melbourne.

Zagami & Co., Bairnsdale.

Zimmer, J., & Co., 15 Bay-street, Brighton.

LIST of persons to whom Farm Produce Agents' Licences have been issued for the year ending December, 1947, all of whom are exempt from the provisions of paragraphs (a) and (b) of sub-section (1) of section (5) of Act 4736 in regard to lodging a fidelity bond:—

Name; Principal Place of Business.

Alexander, J. M., Queen Victoria Market; private address, 39 Liverpool-street, West Coburg.

Anthony Bros., 34 Adelaide-street, Malvern.

Arceri Pasquale, 487 Spencer-street, West Melbourne.

Askew, G., 21 Maryston-street, Yarraville.

Australian Wholesale Grocery Pty. Ltd., 103-5 Victoria-street, Fitzroy.

Bartlett, R. D., 28 Chetwynd-street, Melbourne.

Beckoff, T., 19 Flemington-road, North Melbourne.

Bishop, E. W., junr., 228 Maribyrnong-road, Moonee Ponds.

Brailsford, S. J., 2 Yarra-street, Abbotsford.

Bretherton, Bruce & Son., 442 Glenhuntly-road, South Caulfield.

Brown, P. A., 11 Newmarket-street, Northcote.

Burke, John, 5 Autumn-street, Coburg.

Bynon, J. A., Tallarook-street, Seymour.

Chalker, L., Victoria Market; private address, 594 Lygon-street, Carlton.

Chamberlain, G. F., & A. J. Schultz, Victoria Market; private address, 244 Barker's-road, Hawthorn.

Ciancio, B. V., 23 George-street, Fitzroy.

Clayton, W. J., Therry-street, Melbourne.

Cleary, H. J., 131 The Parade, Ascot Vale.

Colocino, G., 136 Peel-street, North Melbourne.

Connor, H. T., 497 Spencer-street, Melbourne.

Copolov, Myer, 73 Keppel-street, Carlton.

Country Fruit Distributors, 70 Arden-street, North Melbourne.

Crittenden, James, 808 Nicholson-street, North Fitzroy.

Name; Principal Place of Business.

Dalli, G., 186 Drummond-street, Carlton.

Davis, Lancaster & Co., Queen's Wharf, King-street, Melbourne.

Devlin, F. D., 170 Park-street, North Fitzroy.

Diacio, V., 63 Capel-street, West Melbourne.

Dibble, Bennett Pty. Ltd., 41 Grandview-avenue, Pascoe Vale South.

Di Benedette, G., 128 Capel-street, West Melbourne.

Dyer, W. & A., 7 Princess-street, Fitzroy.

Gandolfo, Salvatore, 159 Capel-street, North Melbourne.

Greaves, Arthur, 81 Capel-street, West Melbourne.

Grigg, James, & Son, 14-16 South-street, Ascot Vale.

Hibbens, W. R., Queen Victoria Market; private address, 40 Talbot-avenue, East St. Kilda.

Holden, J. H., 44 Gatehouse-street, Parkville.

Jacobs, J. E., "Idamere," North-road, Murrumbeena.

Jochinke, E. W., Upper Regent-street, Dimboola.

Johnson, C. H., 386 Queen-street, Melbourne.

Klein, J., 67 Royal-parade, Parkville.

Lacey, P. J., 53 Delaware-street, Reservoir.

Layne, J. J., 51 Lincoln-street, North Richmond.

MacLeod, John, & Co. Pty. Ltd., 120-122 Lydiard-street, Ballarat.

Maggio, Dominic, 111 Peel-street, North Melbourne.

Marazita, G., 301 Batman-street, West Melbourne.

Maver, Allan D., 62 Nicholson-street, East Coburg.

Maver, G. V., 11 Albion-street, West Brunswick.

Mousley, C., 33 Hickford-street, East Brunswick.

McCabe, J. A., 158 Ferrars-street, South Melbourne.

McKinnon, C., 3 Napier-street, St. Arnaud.

McLaughlin, J., 6 Alexander-parade, Fitzroy.

McPherson, G. & R., 53 Hopkins-street, Footscray.

Newell, E., 149 Lennox-street, Richmond.

Paxinos, A. P., 9 Arnold-street, Carlton.

Portelli, Thomas, 407 Centre-road, Bentleigh.

Reed, L. H., 522 Drummond-street, Carlton.

Robertson, H., 46 John-street, East Brunswick.

Scott, John Arthur, 13A Courtney-street, North Melbourne.

Searles, J. L., 64 Madden-avenue, Mildura.

Secca, A., 53 Ormond-road, Elwood.

Smith, R. E., 5 De Carle-street, Coburg.

Stabb, A. E., 10 Payne-street, West Caulfield.

Stephens, John, 64 Victoria-street, Sandringham.

Stevens, E. H., 453 Nicholson-street, North Carlton.

Sullivan, J., 17 Westgarth-street, Fitzroy.

Thomas, I. H., 942 Canterbury-road, Box Hill.

Thomas, W. C., 381 Station-street, Box Hill.

Trimble, T., 2 Dudley-street, West Melbourne.

Turnbull, P., & Co., 483 Collins-street, Melbourne.

Ventauras & Sons, 114 O'Connell-street, North Melbourne.

Wake, H. J., 101 Pearson-street, Brunswick.

Walsh, E. J., 331 Latrobe-street, Melbourne.

Webber, E. F., & Co., 15 Osborne-street, Hawthorn.

Webberley, P. T., 395 Queen-street, Melbourne.

White, G. S., 21 Trenoweth-street, West Brunswick.

Wilson, D. R., 9 Valentine-street, Ivanhoe.

Williams, R. G., 19 High-road, Camberwell.

Wyatt, Leslie, 113 Edgevale-road, Kew.

LIST of brokers to whom Farm Produce Agents' Licences have been issued for the year ending December, 1947, and each of whom is exempt from lodging a fidelity bond (in accordance with the provisions of section 5, sub-section (6) of Act 4208):—

Name; Address.

Box, A. D., 528 Collins-street, Melbourne.

Bucknell, C. W., 528 Collins-street, Melbourne.

Evans & Coutts, 422 Collins-street, Melbourne.

Fox, E. J., 120 King-street, Melbourne.

Fraser, A. H., 34 Queen-street, Melbourne.

Gidley, John, 465 Collins-street, Melbourne.

Johnson, A. K., 528 Collins-street, Melbourne.

Leaver, C. H., & Co. Pty. Ltd., 528 Collins-street, Melbourne.

Todd, J. A., 120 King-street, Melbourne.

Wood, C. H., & Co., 422 Collins-street, Melbourne.

COUNTY COURTS.

NOTICE is hereby given that County Courts will be held during the year 1947 at the under-mentioned places, on the days hereunder mentioned:—

Colac.—Tuesday, 2nd September; Tuesday, 2nd December.

Kyneton.—Wednesday, 8th October.

Maryborough.—Tuesday, 9th September.

Seymour.—Tuesday, 5th August.

Warragul.—Wednesday, 5th November.

Courts of Insolvency and Courts of Mines will be held on the days above mentioned, at such of the above-mentioned places as have been appointed for holding such Courts.

By order of the Judges,

R. D. McFARLANE,
Registrar, County Court, Melbourne.

SHIRE OF WARANGA.

ORDER DECLARING PUBLIC HIGHWAY.

IN pursuance of the powers conferred by sections 521 and 525 of the *Local Government Act 1928*, the Council of the Shire of Waranga doth hereby order that the land next hereunder described, which has been taken, purchased, or acquired by it, shall be a public highway from and after the date of the publication of this Order in the *Government Gazette* of the State of Victoria, namely:—

All that piece or parcel of land, being part of Crown allotments 11A and 16, Parish of Burrumboot East, County of Rodney: Commencing at a point on the north-west corner of the said Crown allotment 11A in a line bearing east 80 chains; thence by a line bearing south 65 deg. 11 min. west 2 chains 38 3/10 links; thence by a line bearing west 77 chains 83 7/10 links; thence by a line bearing north 1 chain to the point of commencement.

And the said Council doth further declare that such land shall be a public highway in lieu of a certain existing surveyed road in the Shire of Waranga, and which is more particularly described as follows:—

All that piece or parcel of land in the said Parish of Burrumboot East, County of Rodney: Commencing at the south-west corner of Crown allotment 11A, Parish of Burrumboot East, County of Rodney; thence by a line bearing east 40 chains; thence by a line bearing north 65 deg. 11 min. east 41 chains 69 7/10 links; thence by a line bearing east 2 chains 16 3/10 links; thence by a line bearing south 65 3/10 links; thence by a line bearing south 65 deg. 11 min. west 43 chains 76 links; thence by a line bearing west 40 chains 33 links; thence by a line bearing north 1 chain 50 links to the point of commencement.

This Order is made in lieu of that published in *Government Gazette* No. 168, dated 18th June, 1941.

Dated this fourth day of February, One thousand nine hundred and forty-seven.

The common seal of the President, Councillors, and Ratepayers of the Shire of Waranga was hereto affixed, in the presence of—

REG. S. HILL, President.
(SEAL) A. E. ENDERS, Councillor.
W. C. GEYLE, Shire Secretary.

Confirmed by the Governor in Council,
1st July, 1947.

C. W. KINSMAN,
Clerk of the Executive Council.

Farmers Debts Adjustment Act 1935.

CANCELLATION OF STAY ORDER.

NOTIFICATION is hereby given that the Stay Order issued to the under-mentioned farmer has been cancelled by the Farmers' Debts Adjustment Board, such cancellation to take effect on Wednesday, 9th July, 1947:—

No. of Stay Order; Name; Address.

3777; Patten, Francis William; Baulkamaugh.

W. J. EVANS, Deputy Secretary,
Farmers' Debts Adjustment Board.
8th July, 1947.

MINING LEASES GRANTED.

- 8173, Beechworth; Royston Siddons; 29a. 0r. 31p.; in the Parish of Mullindolingong.
11228, Bendigo; Deborah Gold Mines No Liability; 2r. 23p.; in the Parish of Sandhurst (in lieu of lease No. 11012, Bendigo, expired).
11233, Bendigo; John William Earnest Morrow and Maurice George Lewis; 44a. 3r. 22p.; in the Parish of Sedgwick.
8991, Castlemaine; Seddon Cherrington Phillips; 22a. 1r. 2p.; in the Parish of Greensborough.
9004, Castlemaine; Henry Thomas Colston; 32a. 0r. 25p.; in the Parish of Castlemaine.
5484, Gippsland; John Storie Turnbull and Dennis Rawson; 40a. 2r. 27p.; in the Parish of Tabberabbera.
5486, Gippsland; John Storie Turnbull, William Henry Parkes, and Dennis Rawson; 16a. 3r. 11p.; in the Parish of Tabberabbera.
7009, Maryborough; James Hugh McDonald and Sam George Wilkinson; 26a. 2r. 20p.; in the Parish of Tarnagulla.

TAILINGS LICENCES GRANTED.

- 1999, Tailings Licence; Gold Dumps Pty. Ltd.; 74a. 2r.; in the Parishes of Sandhurst and Nerring (in lieu of Tailings Licence No. 1697, expired).
2001, Tailings Licence; Alfred George Leech (in lieu of Tailings Licence No. 1945, expired).
2006, Tailings Licence; Hume Pipe Co. (Australia) Ltd. (in lieu of Tailings Licence No. 1968, expired).
2008, Tailings Licence; Victor Deschamp (in lieu of Tailings Licence No. 1962, expired).
2009, Tailings Licence; J. Vyvyan Williams.

CONSENT GRANTED TO TRANSFER MINING LEASES.

- 8081, Beechworth; from William Benjamin Spargo to William Benjamin Spargo and Evelyn Maud Spargo.
8111, Beechworth; from William Benjamin Spargo to William Benjamin Spargo and Evelyn Maud Spargo.
6734, Maryborough; from George Harris Flett and Antonio Polinelli to Chewton Gold Mines No Liability.

W. G. MCKENZIE,
Minister of Mines.

AUCTION SALES ACT 1928.

KERANG.—Notice is hereby given that a Special Meeting of Justices for the Licensing of Auctioneers will be held at the Court House, Kerang, on Friday, the 1st of August, 1947, at the hour of Ten o'clock in the forenoon, to consider an application by Allan Joseph Walker, of Kerang, for an Auctioneer's Licence. Dated at Kerang this 30th day of June, 1947.—A. T. RYALL, Clerk of Petty Sessions.

CONTRACTS ACCEPTED.—(Series 1946-47.)

GENERAL STORES.

Gazette No. 269, 27th February, 1946, Schedule No. 52, Tools (General).—For the rates shown opposite the following items substitute the rates as set out hereunder, to date from 20th May, 1947:—Item No. 104, 16s. 3d. per doz.; Item No. 106, 18s. 6d. per doz.; Item No. 112, 5 feet, 19s. 9d. per doz.; 5 ft. 6 in., 21s. per doz.; 6 feet, 23s. per doz., 6 ft. 6 in., 25s. per doz.; Item No. 113, Claw, 6s. per doz., 14 in., 4s. 9d. per doz., 16 in., 5s. 3d. per doz., 18 in., 6s. per doz.; Item No. 114, 4s. 3d. per doz.; Item No. 115, 14 in., 20s. per doz., 2 in. 27s. 6d. per doz.; Item No. 118, 21s. per doz.; Item No. 121, 5 feet, 12s. 9d. per doz., 5 ft. 6 in., 13s. 6d. per doz.; 6 feet, 14s. 6d. per doz.; Item No. 125, 18s. per doz.; Item No. 127, Spade, 33s. 3d. per doz., Shovel, 34s. 6d. per doz.; Item No. 128, Shovel, 20s. per doz.; Item No. 131, 11s. per doz.; Item No. 132, 13s. 9d. per doz. Rates plus 20 per cent. less 5 per cent. discount.

Gazette No. 122, 5th July, 1946, Chemicals, &c., Schedule No. 25.—Rate for Soda Ash—Item No. 74—increased by 15s. 3d. per ton, as from 6th June, 1947.

W. H. RUTHERFORD, Secretary to the Tender Board.
8.7.47.

CONTRACTS ACCEPTED.—(Series 1947-48.)

VICTORIAN RAILWAYS.

1. Manufacture, supply, delivery, erection, and setting of stationary type steam boiler, complete with boiler mountings, &c., at rates. (Contract 55754).—Babcock and Wilcox Ltd. 2. Heating elements, at rates (Contract 56150).—W. G. Crossle and Co. 3. Double-shouldered sleeper plates, at rates (Contract 56301).—The Broken

Hill Pty. Co. Ltd. 4. Nickel steel blooms, at £50 2s. 6d. per ton (Contract 56302).—Commonwealth Steel Co. Ltd. 5. Nickel case—hardening steel round bars, at rates (Contract 56303).—Commonwealth Steel Co. Ltd. 6. Road motor sedan cars, at £568 0s. 6d. each (Contract 56326).—Preston Motors Pty. Ltd. 7. Road motor truck, at £503 10s. each (Contract 56332).—Preston Motors Pty. Ltd. 8. Insulated copper wire, at £1 19s. 3d. per 100 yards (Contract 56339).—Noyes Bros. (Melb.) Ltd.

By order of the Victorian Railways Commissioners,

E. C. EYERS, Secretary. 4.7.47.

ORDERS IN COUNCIL.—(Series 1946-47.)

STATE ELECTRICITY COMMISSION.

2575. The supply and erection of hot water radiators and accessories at the Commission's Head Office, to Specification No. 46-47/96.—Charles E. Guy and Co.

2576. The supply and erection of hot water boiler and accessories at the Commission's Head Office, to Specification No. 46-47/96.—Gardner and Naylor Pty. Ltd.

Approved by the Governor in Council, 3rd June, 1947.
—C. W. KINSMAN, Clerk of the Executive Council.

2577. The supply of 9,604 super. feet oregon timber 6 in. and wider, to Quotation No. 3620a.—J. Wright and Sons.

2578. The supply of 250,000 yards ½-in. black adhesive tape, to Quotation No. 3831.—Mica and Insulating Supplies Co. Pty. Ltd.

2579. The removal of seven huts from Darley Camp and transport to metropolitan area, to Quotation No. 4238.—Griffiths and Enders.

2580. The hire of four drilling plants for brown coal investigations in the Latrobe Valley for twelve months.—Southern States Drilling Co. Pty. Ltd.

2581. The supply of spare parts for motor vehicles.—Coles Bros. Ltd.

2582. The supply of electrical reticulation assets at Darley Military Camp.—Commonwealth Disposals Commission.

Approved by the Governor in Council, 24th June, 1947.
—C. W. KINSMAN, Clerk of the Executive Council.

ORDERS IN COUNCIL.—(Series 1947-48.)

DEPARTMENT OF PUBLIC INSTRUCTION.

171. One only wind tunnel, fixing and construction, for Melbourne Technical College, £120.—P. Clark Pty. Ltd., Melbourne.

172. One only 16 mm. motion picture sound projector, for Melbourne Technical College, £180.—Pyrox Pty. Ltd., Melbourne.

173. One only two-stage compressor, for Melbourne Technical College, £228 6s. 6d.—Ingersoll-Rand Pty. Ltd., Melbourne.

174. One only chain and chisel morticing machine, for Footscray Technical School, £367 5s.—Bendigo Ordnance Factory, Bendigo.

Approved by the Governor in Council, 1st July, 1947.
—C. W. KINSMAN, Clerk of the Executive Council.

DEPARTMENT OF PUBLIC WORKS.

175. Supply of 150 tons of wire to the Wire Netting Factory, His Majesty's Gaol, Pentridge, Coburg, £3,855.—Lysaght Brothers and Company Proprietary Limited, of Sydney.

Approved by the Governor in Council, 1st July, 1947.
—C. W. KINSMAN, Clerk of the Executive Council.

STATE ELECTRICITY COMMISSION.

176. The supply of mechanical parts for drill carriage, Kiewa Hydro-Electric Scheme, to Quotation No. 4106.—Gibson, Battle (Melbourne) Pty. Ltd.

177. The supply of 32 sets fabricated steelwork for transmission line towers, to Quotation No. 3378.—Johns and Waygood Ltd.

178. The supply of 340 steel lockers for Yallourn, to Quotation No. 4286.—E. T. Brown Ltd.

179. The supply of one vertical condensate pump for turbo-generator, Newport Generating Station, to Quotation No. 2842.—Thompson's (Castlemaine) Ltd.

180. The supply of air and air brake equipment for eighteen overburden trucks, Yallourn Open Cut, to Quotation No. 4333.—Westinghouse Brake (A/asia) Pty. Ltd.

181. The supply of structural steelwork for No. 3 Rectifier Sub-station, Yallourn, to Quotation No. 4290.—Edward Campbell and Son Pty. Ltd.

182. The supply of 36 only bar tread tires complete with flaps and tubes for heavy-duty trucks, to Quotation No. 4339.—Goodyear Tire and Rubber Co. (Aust.) Ltd.

183. The supply of one Remington accounting machine with eleven registers for Yallourn, to Quotation No. 4446.—Chartres Pty. Ltd.

184. The cost incurred in sending Dr. H. B. Budgen to Germany for the purpose of securing design data and drawings of brown coal winning and associated machinery and transmitting these to Australia.—Stothert and Pitt (Aust.) Pty. Ltd.

185. The supply of one Le Roi air compressor mounted on a trailer for Kiewa Hydro-Electric Scheme.—Dynamic Engineering Co. Pty. Ltd.

Approved by the Governor in Council, 1st July, 1947.
—C. W. KINSMAN, Clerk of the Executive Council.

GRAIN ELEVATORS ACT 1934 (No. 4270).

At the Executive Council Chamber, Melbourne, the first day of July, 1947.

PRESENT:

His Excellency the Governor of Victoria.
Mr. Hayes | Mr. Fraser.

APPOINTMENT OF ACTING CHAIRMAN OF THE GRAIN ELEVATORS BOARD.

IN pursuance of the powers in that behalf conferred by the *Grain Elevators Act 1934* (No. 4270), His Excellency the Governor of the State of Victoria, by and with the advice of the Executive Council thereof, doth by this Order hereby appoint, for a period of not more than six (6) months, Michael Joseph Canny, to act in the place of the Chairman of the Grain Elevators Board, absent from Victoria, and as Acting Chairman to discharge the duties of Chairman until the return to Victoria of the Chairman of the said Board or the expiry of the period of appointment as Acting Chairman, whichever first happens.

And the Honorable William George McKenzie, His Majesty's Minister of Agriculture for the State of Victoria, shall give the necessary directions herein accordingly.

C. W. KINSMAN,
Clerk of the Executive Council.

MELBOURNE HARBOR TRUST ACT 1928 (No. 3733).

At the Executive Council Chamber, Melbourne, the first day of July, 1947.

PRESENT:

His Excellency the Governor of Victoria.
Mr. Hayes | Mr. Fraser.

IN accordance with the provisions of the *Melbourne Harbor Trust Act 1928* (No. 3733), His Excellency the Governor of the State of Victoria, by and with the advice of the Executive Council thereof, doth by this Order hereby appoint—

ALBERT GEORGE ALLNUTT, a person identified with primary production in Victoria, a Commissioner of the Melbourne Harbor Trust, for a period of three years, from and inclusive of the 1st day of July, One thousand nine hundred and forty-seven, and doth re-appoint the following as Commissioners of the Melbourne Harbor Trust for a further period of three years from and inclusive of the 1st day of July, One thousand nine hundred and forty-seven:—

DAVID YORK SYME, an owner of ships registered at Melbourne or in some British port and trading at the Port of Melbourne.

FRANCIS DUNCAN, a person engaged in the business of an importer by sea of goods into the State of Victoria.

JOHN PERCIVAL WEBB, a person engaged in the business of an exporter by sea from the State of Victoria of wool, grain, butter, fruit, or other Victorian produce.

And the Honorable John Cain, His Majesty's Treasurer for the State of Victoria, shall give the necessary directions herein accordingly.

C. W. KINSMAN,
Clerk of the Executive Council.

SEEDS ACT 1928 AND 1935.

At the Executive Council Chamber, Melbourne, the
first day of July, 1947.

PRESENT:

His Excellency the Governor of Victoria.

Mr. Hayes.

Mr. Fraser.

REGULATIONS.

IN pursuance of the powers conferred by the Seeds Act 1928 and 1935 and all other powers enabling him in that behalf, His Excellency the Governor of the State of Victoria by and with the advice of the Executive Council thereof, doth hereby repeal the Regulations made on the 11th February, 1936, and the 27th February, 1940, and in lieu thereof doth make the following Regulations (that is to say):—

1. "Foreign Ingredients" shall be substances of the character following:—

"Other Crop Seeds" are seeds of those plants listed in Group I. and Group II. of Schedule IV. hereto.

Weeds or seeds of weeds.

Non-germinable seeds.

Seeds other than those specified in the invoice.

"Inert Matter" includes all portions of seeds or fruits that are one-half or less than one-half the normal size, completely decorticated seeds of legumes, clusters of mangel, beet and sugar beet containing no seeds and clusters which pass through a 2-mm. slit sieve, stones, chaff, sand, grit, soil, fragments of roots, stems, leaves and flowers, empty glumes, single pales, sterile flowers of grasses, parts of insects, dead insects, scales and any other inert matter as for instance seeds containing larvae of parasitic insects (Foxtail seeds with larvae of *Oligotropus* sp.) and *Claviceps sclerotia* in grass seed.

2. The sale of seed containing any seed of the species named in Schedule I of these Regulations is prohibited, provided that all recognized cultivated varieties of those species imported for the purpose of cultivation shall be exempt from this Regulation.

3. In respect of seeds included in Schedule II. of these Regulations, the number of weed seeds which may be contained in any kind of seeds shall not exceed that prescribed opposite each weed named in the said schedule, subject to the conditions (a) and (b) set out at the head of the said schedule.

4. The weights of seeds to be taken as samples, for the purpose of examination, shall be not less than the weights set forth in the second column of Schedule III. of these Regulations.

5. The proportion or amount of "Foreign Ingredients" which may be contained in any kind of seed shall not exceed the proportion or amount set forth opposite the name of each kind of seed in Schedule IV. of these Regulations.

6. The fee for examination of each sample of seed made under the Act shall be two shillings and six pence.

7. On every parcel of seed of *Trifolium subterraneum* (Subterranean Clover) sold or exposed or offered for sale, or on a label securely attached thereto, there shall be clearly printed or written:—

(a) The words "Subterranean Clover."

(b) The flowering period and strain name in the following words:—

"First early flowering strain—Dwalganup," or "First early flowering strain—Mulwala," or "Early flowering strain—Bacchus Marsh," or "Late flowering strain—Tallarook,"

as the case may be.

(c) The words "Strain unknown" in cases where the flowering period and strain name are not known.

Where the strain name only is not known, the flowering period must be stated.

8. The penalty for any contravention of these Regulations shall be a sum not exceeding Ten pounds.

SCHEDULE I.

SEEDS OF WEEDS WHICH ARE PROHIBITED SEEDS.

<i>Aethusa cynapium</i> L.	Fools parsley
<i>Allium triquetrum</i> L.	Three-cornered garlic
<i>Allium vineale</i> L.	Crow garlic
<i>Ambrosia</i> spp.	Ragweeds
<i>Arctium lappa</i> L.	Burdock
<i>Arctium minus</i> Bernh.	Lesser Burdock
<i>Asphodelus fistulosus</i> L.	Onion weed
<i>Berberis vulgaris</i> L.	Barberry
<i>Brassica tournefortii</i> Gouan	Long fruited wild turnip
<i>Carrichera annua</i> (L.) Prantl.	Ward's weed
<i>Carthamus glaucus</i> Biob.	Glaucous Star thistle
<i>Carthamus lanatus</i> L.	Saffron thistle
<i>Centaurea calcitrapa</i> L.	Star thistle
<i>Centaurea picris</i> Pall.	Hard Heads or Russian Knapweed
<i>Centaurea solstitialis</i> L.	St. Barnaby's thistle
<i>Cirsium arvense</i> (L.) Scop.	Creeping or Californian thistle
(Syn. <i>Cnicus arvensis</i> Hoffm)		
(Syn. <i>Carduus arvensis</i> Robson)		
<i>Chondrilla juncea</i> L.	Skeleton weed
<i>Chrysanthemum leucanthemum</i> L.	Ox-eye Daisy
<i>Cicuta bulbifera</i> L.	Bulbous Cowbane
<i>Cicuta maculata</i> L.	Spotted homlock
<i>Cicuta virosa</i> L.	Cowbane
<i>Conium maculatum</i> L.	Water hemlock
<i>Convolvulus arvensis</i> L.	Bindweed
<i>Cuscuta</i> spp.	Dodder
<i>Datura</i> spp.	Thorn apple
<i>Euphorbia esula</i> L.	Leafy spurge
<i>Euphorbia segetalis</i> L.	Short-stommed carnation weed
<i>Euphorbia terracina</i> L.	False caper
<i>Homeria collina</i> Vent.	One-leaved cape tulip
<i>Homeria miniata</i> Sweet	Two-leaved cape tulip
<i>Hypericum perforatum</i> L.	St. John's Wort
var. <i>angustifolium</i> D.C.		
<i>Iva axillaris</i> Pursh.	Poverty weed
<i>Lepidium draba</i> L.	Hoary cross or White weed
<i>Myagrum perfoliatum</i> L.	Muskweed
<i>Nassella trichotomo</i> (Nees) Hack	Serrated tussock or Yass River tussock
<i>Orobanche minor</i>	Broom rape
<i>Oryza sativa rustpogon</i>	Red rice
<i>Physalis lanceolata</i> Mich.	Prairie ground cherry
<i>Raphanus raphanistrum</i> L.	Wild radish or Jointed charlock
<i>Rapistrum rugosum</i> All.	Turnip weed
<i>Salvia reflexa</i> Horn.	Mintweed
<i>Scotymus maculatus</i> L.	Spotted thistle
<i>Senecio jacobaea</i> L.	Ragwort
<i>Silene cucubalus</i> Wibel	Bladder campion
(Syn. <i>S. vulgaris</i> Garcke),		
(Syn. <i>S. inflata</i> Sm)		
<i>Silybum marianum</i> (L.) Gaertn	Variegated or Milk thistle
(Syn. <i>Carduus marianus</i> (L.))		
<i>Sinapis arvensis</i> L.	Charlock
(Syn. <i>Brassica sinapistrum</i> (Boiss)),		
(Syn. <i>Brassica arvensis</i> (Ktze))		
<i>Sonchus arvensis</i> L.	Perennial sow thistle
<i>Sorghum halepense</i> Pers.	Johnson grass
<i>Striga lutea</i> Lour.	Witch weed
<i>Verbesina encelioides</i> Bth. and Hk.	Crownbeard

SCHEDULE II.

RESTRICTED WEED SEEDS.

(a) In the cases of—beans, buckwheat, cotton, cow-peas, lentils, lupins, peas, taros, teosinte, and seeds of similar or larger size, the number of seeds herein set out allowed in 1 lb. of any kind of seed shall not be greater than the number opposite the name of such seed.

(b) In the case of all other seeds, the number of seeds herein set out allowed in 1 oz. of any kind of seeds shall not be greater than the number opposite the name of such seed.

	Seeds per oz. or per lb.
<i>Alternanthera acryantha</i> R. Br., s ^{yn.} <i>A. Echinata</i> —Khaki weed	20
<i>Anmi</i> spp.—Bishop's weed	20
<i>Amsinckia</i> spp.—Yellow burr weed	10
<i>Anthemis Cotula</i> , L.—Stinking Mayweed	20
<i>Argemone mexicana</i> , L.—Mexican poppy	10
<i>Arrhenatherum avenaceum</i> , Boouv. var. <i>bulbosum</i> —Onion Twitch	10
<i>Brassica</i> spp. (all other weed species)	20
<i>Carduus pycnocephalus</i> . Jacq.—Slender thistle	10

SCHEDULE II.—continued.

	Seeds per oz. or per lb.
<i>Cirsium lanceolatum</i> , L.	10
syn. <i>Carduus lanceolatus</i> , Scop.	
syn. <i>Cnicus lanceolatus</i> , Hoffm.—Spear thistle	
<i>Echium</i> spp.—Bugloss	20
<i>Emex australis</i> , Steinh.—Spiny Emex	10
<i>Erodium Botrys</i> , Bertol.—Long Stork's bill	20
<i>Lithospermum arvense</i> , L.—Corn groundwell or Ironweed	20
<i>Marrubium vulgare</i> , L.—Horehound	10
<i>Melilotus indica</i> , All.—King Island Melilot or Hexham Scent	10
<i>Polygonum</i> spp.—Wireweed	20
<i>Reseda Luteola</i> , L.—Wild Mignonette	10
<i>Romulea</i> spp.—Onion grass	10
<i>Steymbrium</i> spp.—Mustard	20

SCHEDULE III.

WEIGHTS OF SAMPLES TO BE SUBMITTED FOR TESTS.

Kinds of Seed.	Prescribed Weights (Ounces).
Seeds of <i>Agrostis</i> spp., <i>Axonopus</i> spp., <i>Chloris gayana</i> , <i>Cynodon dactylon</i> , <i>Dactylis glomerata</i> , <i>Festuca</i> spp., <i>Paspalum</i> spp., <i>Phalaris</i> spp., <i>Poa</i> spp., <i>Lotus</i> spp., <i>Trifolium repens</i> , <i>T. hybridum</i> , <i>Brassica</i> spp., Celery, Carrot, Lettuce, Parsnip, Tomato, and seeds of a similar size	2
Seeds of <i>Medicago</i> spp., <i>Melilotus</i> spp., <i>Trifolium pratense</i> , <i>T. fragiferum</i> , <i>T. subterraneum</i> , <i>Lolium</i> spp., Cucumber, Linseed, Melons, Millets, Onions, Radish, Spinach, and seeds of a similar size	4
Seeds of <i>Bromus unioloides</i> , Sudan grass, <i>Sorghum</i> , <i>Beta</i> spp., Navy and Rice Beans, Cowpeas, Lentils, Marrows, Pumpkins, Sunflowers, and seeds of a similar size	8
Seeds of Beans (French and Broad, &c.), Cotton, Peas, and seeds of a similar size	16

SCHEDULE IV.

FOREIGN INGREDIENTS.

Kind of Seeds.	Percentage Inert Matter Plus Weed Seeds by Weight.	Percentage Weed Seeds by Weight.	Percentage Other Crop Seeds by Weight.	Percentage Non- Germinable Seeds.
Asparagus75	.25	.1	45
Beans—				
Broad	1.25	.25	.1	30
French	1.25	.25	.1	25
Lima	1.25	.25	.1	25
Mauritius	1.25	.25	.1	30
Navy	1.25	.25	.1	25
Pinto	1.25	.25	.1	25
Rice	1.25	.25	.1	25
Soya	1.25	.25	.1	40
Beet—				
Red	3.0	.25	.2	45 of clusters
Silver	3.0	.25	.2	45 of clusters
Borecole75	.25	.1	35
Brassicæ (cultivated other than those listed separately)75	.25	.1	35
Brussels Sprouts75	.25	.1	35
Buckwheat	1.25	.25	.2	25
Cabbage75	.25	.1	35
—Chinese75	.25	.1	35
Cauliflower75	.25	.1	35
Carrot	4.75	.25	.5	50
Capsicum75	.25	.1	50
Celery	1.75	.25	.5	50
Chicory	1.75	.25	.5	40

SCHEDULE IV.—continued.

GROUP I.

Kinds of Seeds.	Percentage Inert Matter Plus Weed Seeds by Weight.	Percentage Weed Seeds by Weight.	Percentage Other Crop Seeds by Weight.	Percentage Non-Germinable Seeds.
Clovers and Allied Legumes—				
<i>Lepedeza</i> spp.	1.5	.5	5.0	60
<i>Lotus angustissimus</i> (Narrow leaved lotus)	1.5	.5	5.0	35
<i>Lotus corniculatus</i> (Birdsfoot trefoil)	1.5	.5	5.0	35
<i>Lotus hispidus</i> (Boyd's clover)	1.5	.5	5.0	35
<i>Lotus uliginosus</i> (Greater Birdsfoot Trefoil)	1.5	.5	5.0	35
<i>Medicago denticulata</i> . (Burr Medic)	4.5	.5	.5	40
<i>Medicago lupulina</i> (English trefoil)	1.5	.5	.5	30
<i>Medicago orbicularis</i> (Button clover)	4.5	.5	.5	50
<i>Medicago sativa</i> (Lucerne)	1.5	.5	.5	20
<i>Medicago scutellata</i> (Snail clover)	4.5	.5	.5	40
<i>Medicago tribuloides</i> (Medic—Barrel)	4.5	.5	.5	35
<i>Melilotus alba</i> (Bokhara or sweet clover)	1.5	.5	.5	40
<i>Stylosanthes</i> spp. (Townsville lucerne)	3.0	.5	.5	40
<i>Trifolium alexandrinum</i> (Egyptian or Berseem clover)	1.5	.5	.5	35
<i>Trifolium cernuum</i> (Gin gin clover)	4.5	.5	5.0	40
<i>Trifolium confinis</i>	4.5	.5	5.0	40
<i>Trifolium dubium</i> (Suckling clover)	1.5	.5	5.0	40
<i>Trifolium fragiferum</i> (Strawberry clover)	1.5	.5	2.0	40
<i>Trifolium glomeratum</i> (Cluster clover)	1.5	.5	5.0	40
Clovers—				
<i>Trifolium hybridum</i> (Alsike clover)	1.5	.5	5.0	30
<i>Trifolium incarnatum</i> (Crimson clover)	1.5	.5	.5	45
<i>Trifolium pratense</i> (Red clover or cow grass)	1.5	.5	2.0	30
<i>Trifolium repens</i> (White clover)	1.5	.5	5.0	30
<i>Trifolium subterraneum</i> (Subterranean clover)	2.25	.25	.5	30

End of Group I.

Kinds of Seeds.	Percentage Inert Matter Plus Weed Seeds by Weight.	Percentage Weed Seeds by Weight.	Percentage Other Crop Seeds by Weight.	Percentage Non-Germinable Seeds.
Cotton	2.25	.25	.2	30
Cowpeas, Crowder var.	5.25	.25	.2	30
Cowpeas, Black	5.25	.25	.2	30
Cowpeas, other varieties	1.25	.25	.2	30
Cress, garden (<i>Lepidium sativum</i>)75	.25	.1	40
Cress, water (<i>Nasturtium officinale</i>)75	.25	.1	50
Crotalaria spp. (Cultivated)	2.0	.25	.2	30
Cucumber	1.25	.25	.2	25
Egg plant (<i>Solanum melongena</i>)75	.25	.1	50
Endive (<i>Cichorium endiva</i>)	1.75	.25	.5	45

GROUP II.

Kind of Seeds.	Percentage Inert Matter Plus Weed Seeds by Weight.	Percentage Weed Seeds by Weight.	Percentage Other Crop Seeds by Weight.	Percentage Non-Germinable Seeds.
Grasses—				
<i>Agrostis</i> spp. (Red top, creeping bent, brown top, &c.)	2.0	.5	Nil	40
<i>Alopecurus pratensis</i> (Meadow foxtail)	2.0	.5	1.0	65

SCHEDULE IV.—continued.

Group II.—continued.

Kinds of Seeds.	Percentage Inert Matter Plus Weed Seeds by Weight.	Percentage Weed Seeds by Weight.	Percentage Other Crop Seeds by Weight.	Percentage Non- Germinable Seeds.
<i>Andropogon sericeus</i> (<i>Dichanthium sericeum</i> , Queens- land Bluegrass)	5.5	.5	.2	50
<i>Arrhenatherum avenaceum</i> (<i>Avena elatior</i> , Tall Oat Grass)	4.5	.5	.2	40
<i>Astrebla</i> spp. (Mitchell grasses)	20.5	.5	5.0	65
<i>Axonopus affinis</i> (Narrow leaved carpet grass) ..	2.0	.5	1.0	40
<i>Axonopus compressus</i> (Broad leaved carpet grass) ..	2.0	.5	1.0	40
<i>Avena elatior</i> (<i>Arrhenatherum avenaceum</i> , Tall oat grass)	4.5	.5	.2	40
<i>Bromus inermis</i>	5.25	.25	.2	45
<i>Bromus unioloides</i> (Prairie grass)	5.5	.5	.2	35
<i>Chloris gayana</i> (Rhodes Grass)	51.0	1.0	.5	40
<i>Cynodon dactylon</i> (Couch Grass)	2.0	.5	1.0	40
<i>Cynosuroides cristatus</i> (Crested dogs tail)	2.0	.5	1.0	40
<i>Dactylis glomerata</i> (Cocksfoot)	25.0	.25	3.0 (to include not more than 1 per cent. of Yorkshire fog)	40
<i>Danthonia</i> spp. (Wallaby grasses)	7.5	.5	.2	55
<i>Dichanthium sericeum</i> (syn. <i>Andropogon sericeus</i> , Queens- land Bluegrass)	5.5	.5	.2	50
<i>Echinochloa crus-galli</i> var. <i>edulis</i> (White Panicum) ..	2.25	.25	.5	25
<i>Echinochloa crus-galli</i> var. <i>frumen- tacea</i> (Japanese Millet)	2.25	.25	.5	25
<i>Festuca arundinacea</i> (Giant Fescue)	2.0	.5	1.0	50
<i>Festuca duriuscula</i> (Hard fescue)	2.0	.5	1.0	50
<i>Festuca elatior</i> (Tall fescue)	2.5	1.0	2.0	50
<i>Festuca ovina</i> (Sheep's fescue)	2.0	.5	1.0	50
<i>Festuca pratensis</i> (Meadow fescue)	2.0	.5	1.0	50
<i>Festuca rubra</i> (Red and Chewings Fescue) ..	2.0	.5	Nil	50
<i>Holcus lanatus</i> (Yorkshire Fog)	2.0	.5	1.0	50
<i>Isilema</i> spp.	20.5	.5	2.0	45
<i>Lolium multiflorum</i> (Italian Ryegrass)	4.0	1.0	2.0	35
<i>Lolium perenne</i> (Perennial Ryegrass)	4.0	1.0	2.0	40
<i>Lolium hybridum</i> syn. <i>subulatum</i> (Wimmera Ryegrass)	4.0	1.0	2.0	35
<i>Panicum antidotale</i> (Giant Panic)	2.25	.25	.5	50
<i>Panicum miliaceum</i> (French Millet)	2.25	.25	.5	25
<i>Paspalum dilatatum</i> (Pearl Millet)	45.0	.25	.5	40
<i>Pennisetum glaucum</i> (Pearl Millet)	2.25	.25	.5	25
<i>Phalaris canariensis</i>	1.25	.25	.5	35
<i>Phalaris coerulescens</i>	2.5	1.0	2.0	45
<i>Phalaris tuberosa</i> (Toowoomba Canarygrass) ..	2.5	1.0	2.0	40
<i>Phleum pratense</i> (Timothy)	2.0	.5	1.0	40
<i>Poa compressa</i> (Canada Bluegrass)	20.0	.25	.2	60
<i>Poa nemoralis</i> (Wood Meadowgrass)	20.0	.25	.2	60
<i>Poa pratensis</i> (Kentucky Bluegrass)	20.0	.25	.2	60
<i>Poa trivialis</i> (Rough-stalked Meadowgrass) ..	20.0	.25	.2	60
<i>Setaria italica</i> (Foxtail, Hungarian, Manchurian Millets, Dwarf and Giant Setaria)	2.25	.25	.5	25

SCHEDULE IV.—continued.
Group II.—continued.

Kinds of Seeds.	Percentage Inert Matter Plus Weed Seeds by Weight.	Percentage Weed Seeds by Weight.	Percentage Other Crop Seeds by Weight.	Percentage Non-Germinable Seeds.
<i>Sorghum vulgare</i> (Broom Millet)	2.25	.25	.5	30
<i>Sorghum vulgare</i> , var. <i>sudanense</i> (Sudan Grass)	2.25	.25	.5 Other Sorghum species excluded	35

End of Group II.

Kinds of Seeds.	Percentage Inert Matter Plus Weed Seeds by Weight.	Percentage Weed Seeds by Weight.	Percentage Other Crop Seeds by Weight.	Percentage Non-Germinable Seeds.
Hemp	1.25	.25	.5	35
Kale75	.25	.1	35
Kohl-Rabi75	.25	.1	35
Leek75	.25	.1	50
Lentils	1.25	.25	.2	30
Lettuce	2.5	.25	.5	30
Linseed	1.25	.25	Nil	20
Lucerne	1.5	.5	.5	20
Lupins	1.25	.25	.2	40
Lupinus varius	3.25	.25	.2	40
Lupinus pilosus	1.25	.25	.2	40
Mangels	3.0	.25	.2	45
Marjoram	1.75	.25	.5	60
Marrow	1.25	.25	.1	30
Melons—				
Citron	1.25	.25	.1	35
Rock	1.25	.25	.1	30
Water	1.25	.25	.1	35
Other varieties	1.25	.25	.1	35
Millet—				
Broom	2.25	.25	.5	30
Foxtail	2.25	.25	.5	25
French	2.25	.25	.5	25
Hungarian	2.25	.25	.5	25
Japanese	2.25	.25	.5	25
Manchurian	2.25	.25	.5	25
Pearl	2.25	.25	.5	25
Dwarf and Giant Setarias	2.25	.25	.5	25
White Panicum	2.25	.25	.5	25
Other varieties	2.25	.25	.5	25
Mustard75	.25	.1	35
Onion75	.25	.1	50
Parsley	1.75	.25	.5	80
Parsnip	2.5	.25	.5	60
Peas	1.25	.25	.2	25
Pumpkins	1.25	.25	.1	30
Radish75	.25	.1	25
Rape75	.25	.1	35
Rhubarb75	.25	.1	50
Sage75	.25	.1	60
Sainfoin	1.25	.25	.2	40
Salsify75	.25	.1	50
Sheep's burnet	1.25	.25	.2	40
Sorghums—				
Broom Millet	2.25	.25	.5	30
Grain	2.25	.25	.5	30
Saccharine	2.25	.25	.5	30
Sudan	2.25	.25	.5	35
			(other sorghum spp. excluded)	
Spinach	1.75	.25	.1	55
Squash	1.25	.25	.1	30
Sunflower	4.25	.25	.1	35
Swede Turnip75	.25	.1	35
Table Turnip75	.25	.1	35
Tares (Vetches)	1.25	.25	.2	40
Teosinte	1.25	.25	.2	50
Thyme	1.75	.25	.5	60
Tobacco	1.75	.25	.5	40
Tomato	2.25	.25	.1	30
Vetches (see Tares)	1.25	.25	.2	40

And the Honorable William George McKenzie, His Majesty's Minister of Agriculture for the State of Victoria, shall give the necessary directions herein accordingly.

C. W. KINSMAN,
Clerk of the Executive Council.

ADULT EDUCATION ACT 1946.

*At the Executive Council Chamber, Melbourne,
the first day of July, 1947.*

PRESENT:

His Excellency the Governor of Victoria.
Mr. Hayes | Mr. Fraser.

ADULT EDUCATION REGULATIONS.

PURSUANT to the powers conferred by the *Adult Education Act* 1946, His Excellency the Governor of the State of Victoria, by and with the advice of the Executive Council thereof, doth hereby make the following Regulations, that is to say:—

1. These Regulations may be cited as Adult Education Regulations.

2. In these Regulations, unless inconsistent with the context or subject-matter—

“Adult Education Officer” means officer of the Council directly engaged in the teaching and organization of adult education.

“Clerical Officer” means officer of the Council engaged in the performance of clerical work for the Council.

“Council” means Council of Adult Education.

“Director” means Director of Adult Education.

“Assistant Director” means Assistant Director of Adult Education.

“Executive” means Executive Committee of the Council of Adult Education.

“Metropolitan area” means the area lying within a distance of twenty miles from the post office at the corner of Elizabeth-street and Bourke-street, Melbourne.

“Minister” means Minister of Public Instruction.

3. The salary of the Director of Adult Education shall be £1,250 per annum.

4. (i) An Assistant Director of Adult Education may be appointed for a period of five years and shall be eligible for reappointment.

(ii) The Assistant Director of Adult Education shall receive an annual salary of not more than £900 per annum.

(iii) The Assistant Director shall perform such duties as are required by the Director and shall act as Director during the temporary absence or incapacity of the Director.

5. (i) Adult Education Officers may be appointed for terms not exceeding five years and shall be eligible for reappointment.

(ii) Adult Education Officers shall be responsible in the performance of their duties to the Director and shall carry out such duties as are determined by the Council.

(iii) The remuneration of Adult Education Officers shall be determined by the following scale, appointments to be made within the scale, according to qualifications and experience:—

Adult Education Officer, Grade I.—£650-850 per annum.

Adult Education Officer, Grade II.—£450-650 per annum.

Annual increments within the respective scales shall be payable to Adult Education Officers at the rate of £25 per annum.

6. There may be a Secretary-Accountant who shall perform such duties as are required by the Director.

(i) The Secretary-Accountant may be appointed for a period of five years and shall be eligible for reappointment.

(ii) The remuneration of the Secretary-Accountant shall be determined by the following scale, appointment to be made within the scale, according to qualifications and experience:—

Secretary-Accountant—£527-579 per annum.

(iii) Annual increment within the scale shall be payable to the Secretary-Accountant at the rate of £26 per annum.

7. Clerical Officers may be appointed by the Council on the recommendation of the Executive, to hold office for such periods as the Council may determine.

- (i) Clerical Officers shall be responsible in the performance of their duties to the Director.
- (ii) Clerical Officers may be appointed at the rate of remuneration set out in the following scale, appointments to be made within the scale, according to qualifications and experience:—

	£
Senior Clerk	350–400 per annum.
Clerk—Grade I.	273–325 per annum.
Clerk—Grade II.	260–273 per annum.
Clerk—Grade III.	247–260 per annum.
Juniors—at 16 years of age	117 per annum.
„ at 17 years of age	130 per annum.
„ at 18 years of age	156 per annum.
„ at 19 years of age	169 per annum.
„ at 20 years of age	195 per annum.
Adult	234–247 per annum.

- (iii) Subject to satisfactory service, annual increments within the respective scales in 7 (ii) shall be payable at the rate of £25 per annum in the case of the Senior Clerk and at the rate of £13 per annum in all other cases.

8. A Librarian may be appointed by the Council on the recommendation of the Executive, to hold office for such period as the Council may determine.

- (i) The Librarian shall be responsible in the performance of the duties of the position to the Director.
- (ii) The salary of the Librarian shall be determined by the scale £300–400 per annum, appointment to be made within the scale according to qualifications and experience.
- (iii) Subject to satisfactory service, annual increment within the scale shall be payable at the rate of £25 per annum.

9. A Driver-Storeman may be appointed by the Council on the recommendation of the Executive, to hold office for such period as the Council may determine.

- (i) The Driver-Storeman shall be responsible in the performance of his duties to the Director.
- (ii) The salary of the Driver-Storeman shall be determined by the scale £312–364 per annum, appointment to be made within the scale according to qualifications and experience.

10. The salaries prescribed in these Regulations shall be subject to automatic adjustment in accordance with the variations in the cost of living on the same basis and method as may be prescribed from time to time by regulations under the *Public Service Act 1946*.

11. Except where otherwise provided in these Regulations, the conditions of the Regulations in force from time to time under the *Public Service Act 1946* with respect to—

- (a) hours of duty and times of attendance of officers and employees; and
- (b) leave of absence,

shall, with such adaptations as are necessary, apply to officers other than part-time officers appointed by the Council.

12. (i) Part-time Adult Education Officers may on the recommendation of the Executive be appointed by the Council for special duties at salaries not exceeding £300 per annum for periods not exceeding one year.

(ii) The fees to be paid to part-time lecturers or demonstrators employed by the Council shall be not less than £2 2s. and not more than £5 5s. per lecture or demonstration: Provided that a special fee of not more than £10 10s. may on the recommendation of the Council be paid to part-time lecturers or demonstrators for special lectures or demonstrations or courses of lectures or demonstrations.

(iii) The fee to be paid to part-time lecturers, demonstrators or other qualified persons for the preparation of original study or discussion material shall be not less than £1 1s. and not more than £3 3s. for each script accepted by the Director.

(iv) (a) Officers (including part-time Adult Education Officers) and part-time lecturers and demonstrators, when travelling in the performance of their duties, shall be entitled, in addition to being reimbursed the reasonable cost of conveyance, to receive reimbursement of personal expenses, at the rate of One pound for each full day and a proportionate amount of such sum for part of a day.

(b) Such rate of reimbursement is fixed to cover the expense of three meals a day and lodging and the reimbursement in respect of each meal and of bed shall be one-fourth of the daily rate.

13. (i) The fee to be paid by any person receiving adult education shall be Five shillings for each course of not more than twelve and not less than six lectures or demonstrations.

(ii) The fee to be paid for single lectures shall be One shilling.

(iii) The fee to be paid by persons enrolled in a Discussion or Study Course shall be Five shillings per person per course.

14. (i) A member of the Council during his absence in the performance of his duties beyond the metropolitan area, or in order to attend meetings of the Council and Executive when his place of residence is beyond the metropolitan area, shall be entitled, in addition to being reimbursed the reasonable cost of conveyance, to receive reimbursement of personal expenses at the rate of One pound for each full day and a proportionate amount of such sum for part of a day.

(ii) Such rate of reimbursement is fixed to cover the expense of three meals a day and lodging and the reimbursement in respect of each meal and of bed shall be one-fourth of the daily rate.

And the Honorable Francis Field, His Majesty's Minister of Public Instruction for the State of Victoria, shall give the necessary directions herein accordingly.

C. W. KINSMAN,
Clerk of the Executive Council.

DEPARTMENT OF LANDS AND SURVEY.

At the Executive Council Chamber, Melbourne, the
first day of July, 1947.

PRESENT:

His Excellency the Governor of Victoria.
Mr. Hayes | Mr. Fraser.

ROAD IN THE TOWNSHIP OF DANDENONG
REDUCED IN WIDTH.

HIS Excellency the Governor of the State of Victoria, by and with the advice of the Executive Council thereof, in accordance with the provisions of and in exercise of the powers conferred by the *Local Government Act 1946*, doth by this Order confirm the scheme for the reduction in width of the road in the Township of Dandenong, County of Bourke, in the State of Victoria, as set out in an agreement deposited in the office of Lands and Survey, Melbourne, with Corres. Rs.314, the said scheme being under the seal of the corporation of the President, Councillors, and Ratepayers of the Shire of Dandenong of the first part, and the seal of the Board of Land and Works of the second part.

And the Honorable Leslie William Galvin, His Majesty's Commissioner of Crown Lands and Survey for the State of Victoria, shall give the necessary directions herein accordingly.

C. W. KINSMAN,
Clerk of the Executive Council.

DEPARTMENT OF LANDS AND SURVEY.

At the Executive Council Chamber, Melbourne, the
first day of July, 1947.

PRESENT:

His Excellency the Governor of Victoria.
Mr. Hayes | Mr. Fraser.

REVOCATION OF TEMPORARY RESERVATION OF
LAND BY ORDER IN COUNCIL.

HIS Excellency the Governor of the State of Victoria, by and with the advice of the Executive Council thereof, doth hereby, in pursuance of the provisions of the *Land Act 1928*, revoke the temporary reservation of the land by Order in Council hereinafter referred to, viz.:—

BUCHAN.—Order in Council of 12th December, 1938, of 863 acres 1 rood 1 3/10 perches of land in the Parish of Buchan as a site for Public purposes and the Protection of Natural Features, so far only as regards the portion thereof comprised within the boundaries published in the *Government Gazette* of 28th May, 1947, and containing 10 acres.—(Rs.1288.)

And the Honorable Leslie William Galvin, His Majesty's Commissioner of Crown Lands and Survey for the State of Victoria, shall give the necessary directions herein accordingly.

C. W. KINSMAN,
Clerk of the Executive Council.

FACTORIES AND SHOPS ACTS.

*At the Executive Council Chamber, Melbourne, the
first day of July, 1947.*

PRESENT:

His Excellency the Governor of Victoria.

Mr. Hayes | Mr. Fraser.

**RESCISSION OF EXEMPTION FROM SATURDAY
HALF-HOLIDAY AND REGULATION OF SHOPS
FOR THE SALE OF FRESH UNCOOKED MEAT
WITHIN THE TOWNSHIP OF NYAH WEST.**

UNDER the powers in that behalf conferred by the Factories and Shops Acts, His Excellency the Governor of the State of Victoria, by and with the advice of the Executive Council thereof, doth hereby revoke the Regulations made on the eighth day of February, 1927, directing that all shops for the sale of fresh uncooked meat within the Township of Nyah West within the Shire of Swan Hill shall be exempted from the Saturday Half-Holiday, and fixing the closing hour of all such shops on Saturdays, Fridays, and Wednesdays.

**RESCISSION OF EXEMPTION FROM SATURDAY
HALF-HOLIDAY AND REGULATION OF CERTAIN
SHOPS WITHIN THE TOWNSHIP OF NYAH WEST.**

UNDER the powers in that behalf conferred by the Factories and Shops Acts, His Excellency the Governor of the State of Victoria, by and with the advice of the Executive Council thereof, upon a petition signed by a majority or all the shopkeepers (exclusive of hawkers and pedlars) keeping shops within the Township of Nyah West, within the municipal district of the Shire of Swan Hill, of the particular classes to be affected, doth hereby revoke the Regulations made on the eighth day of February, 1927, directing that all shops (except shops for the sale of fresh uncooked meat, hairdressers' shops, tobacconists' shops, and shops of the classes or kinds mentioned in the Fourth Schedule to the *Factories and Shops Act 1915*) within the Township of Nyah West, within the Municipal District of the Shire of Swan Hill, shall be exempted from the Saturday Half-Holiday, and fixing the closing hours of all such shops on Saturdays, Fridays, and Wednesdays.

**RESCISSION OF EXEMPTION FROM SATURDAY
HALF-HOLIDAY AND REGULATION OF CERTAIN
SHOPS WITHIN THE TOWNSHIP OF SWAN HILL.**

UNDER the powers in that behalf conferred by the Factories and Shops Acts, His Excellency the Governor of the State of Victoria, by and with the advice of the Executive Council thereof, upon a petition signed by a majority of all the shopkeepers (exclusive of hawkers and pedlars) keeping shops within the Township of Swan Hill, within the municipal district of the Borough of Swan Hill, of the particular classes to be affected, doth hereby revoke the Regulations made on the fourteenth day of September, 1915, directing that all shops (except shops for the sale of fresh uncooked meat, hairdressers' shops, and shops of the classes or kinds mentioned in the Fourth Schedule to the *Factories and Shops Act 1912*, as amended by the *Factories and Shops Acts Amendment Act 1914*), within the Township of Swan Hill, within the Municipal District of the Shire of Swan Hill, shall be exempted from the Saturday Half-Holiday, and fixing the closing hours of all such shops on Saturdays, Fridays, and Wednesdays.

**RESCISSION OF EXEMPTION FROM SATURDAY
HALF-HOLIDAY AND REGULATION OF SHOPS FOR
THE SALE OF FRESH UNCOOKED MEAT WITHIN
THE TOWNSHIP OF NYAH.**

UNDER the powers in that behalf conferred by the Factories and Shops Acts, His Excellency the Governor of the State of Victoria, by and with the advice of the Executive Council thereof, doth hereby revoke the Regulations made on the twenty-eighth day of March, 1916, directing that all shops for the sale of fresh uncooked eat within the Township of Nyah, within the Municipal District of the Shire of Swan Hill, shall be exempted from the Saturday Half-Holiday, and fixing the closing hour of all such shops on Saturdays, Fridays, and Wednesdays.

**RESCISSION OF EXEMPTION FROM SATURDAY
HALF-HOLIDAY AND REGULATION OF CERTAIN
SHOPS WITHIN THE TOWNSHIP OF NYAH.**

UNDER the powers in that behalf conferred by the Factories and Shops Acts, His Excellency the Governor of the State of Victoria, by and with the advice of the Executive Council thereof, upon a petition signed by a majority of all the shopkeepers (exclusive of hawkers and pedlars) keeping shops within the Township of Nyah, within the municipal district of the Shire of Swan Hill, of the particular classes to be affected, doth hereby revoke the Regulations made on the twenty-eighth day of March, 1916, directing that all shops (except shops for the sale of fresh uncooked meat, hairdressers' shops, and shops of the classes or kinds mentioned in the Fourth Schedule to the *Factories and Shops Act 1915*), within the Township of Nyah, within the municipal district of the Shire of Swan Hill, shall be exempted from the Saturday Half-Holiday, and fixing the closing hours of all such shops on Saturdays, Fridays, and Wednesdays.

**RESCISSION OF EXEMPTION FROM SATURDAY
HALF-HOLIDAY AND REGULATION OF SHOPS FOR
THE SALE OF FRESH UNCOOKED MEAT WITHIN
THE TOWNSHIP OF PIANGIL.**

UNDER the powers in that behalf conferred by the Factories and Shops Acts, His Excellency the Governor of the State of Victoria, by and with the advice of the Executive Council thereof, doth hereby revoke the Regulations made on the eighth day of February, 1927, directing that all shops for the sale of fresh uncooked meat within the Township of Piangil, within the Municipal District of the Shire of Swan Hill, shall be exempted from the Saturday Half-Holiday, and fixing the closing hour of all such shops on Saturdays, Fridays, and Wednesdays.

**RESCISSION OF EXEMPTION FROM SATURDAY
HALF-HOLIDAY AND REGULATION OF CERTAIN
SHOPS WITHIN THE TOWNSHIP OF PIANGIL.**

UNDER the powers in that behalf conferred by the Factories and Shops Acts, His Excellency the Governor of the State of Victoria, by and with the advice of the Executive Council thereof, upon a petition signed by a majority of all the shopkeepers (exclusive of hawkers and pedlars) keeping shops within the Township of Piangil, within the municipal district of the Shire of Swan Hill, of the particular classes to be affected doth hereby revoke the Regulations made on the eighth day of February, 1927, directing that all shops (except shops for the sale of fresh uncooked meat, hairdressers' shops, tobacconists' shops, and shops of the classes or kinds mentioned in the Fourth Schedule to the *Factories and Shops Act 1915*) within the Township of Piangil, within the Municipal District of the Shire of Swan Hill, shall be exempted from the Saturday Half-Holiday, and fixing the closing hours of all such shops on Saturdays, Fridays, and Wednesdays.

**RESCISSION OF EXEMPTION FROM SATURDAY
HALF-HOLIDAY AND REGULATION OF CERTAIN
SHOPS WITHIN A RADIUS OF ONE MILE OF THE
CHILLINGOLLAH POST OFFICE.**

UNDER the powers in that behalf conferred by the Factories and Shops Acts, His Excellency the Governor of the State of Victoria, by and with the advice of the Executive Council thereof, upon a petition signed by a majority or all the shopkeepers (exclusive of hawkers and pedlars) keeping shops within the portion of the municipal district of the Shire of Swan Hill within a radius of one mile of the Chillingollah Post Office of the particular classes to be affected doth hereby revoke the Regulations made on the twenty-fifth day of September, 1916, directing that all shops (except shops for the sale of fresh uncooked meat, hairdressers' shops, and shops of the classes or kinds mentioned in the Fourth Schedule to the *Factories and Shops Act 1915*) within the portion of the Municipal District of the Shire of Swan Hill, within a radius of one mile of the Chillingollah Post Office, shall be exempted from the Saturday Half-Holiday, and fixing the closing hours of all such shops on Saturdays, Fridays, and Wednesdays.

**RESCISSION OF EXEMPTION FROM SATURDAY
HALF-HOLIDAY AND REGULATION OF SHOPS
FOR THE SALE OF FRESH UNCOOKED MEAT
WITHIN A RADIUS OF ONE MILE OF THE
CHILLINGOLLAH POST OFFICE.**

UNDER the powers in that behalf conferred by the Factories and Shops Acts, His Excellency the Governor of the State of Victoria, by and with the advice of the Executive Council thereof, doth hereby revoke

the Regulations made on the twenty-fifth day of September, 1916, directing that all shops for the sale of fresh uncooked meat within the portion of the Municipal District of the Shire of Swan Hill within a radius of one mile of the Chillingollah Post Office shall be exempted from the Saturday Half-Holiday, and fixing the closing hour of all such shops on Saturdays, Fridays, and Wednesdays.

RESCISSION OF EXEMPTION FROM SATURDAY HALF-HOLIDAY AND REGULATION OF SHOPS FOR THE SALE OF FRESH UNCOOKED MEAT WITHIN THE SOUTH RIDING OF THE SHIRE OF SWAN HILL.

UNDER the powers in that behalf conferred by the Factories and Shops Acts, His Excellency the Governor of the State of Victoria, by and with the advice of the Executive Council thereof, doth hereby revoke—

- (1) The Regulations made on the nineteenth day of October, 1915, directing that all shops for the sale of fresh uncooked meat within the Township of Lake Boga, within the municipal district of the Shire of Swan Hill, shall be exempted from the Saturday Half-Holiday, and fixing the closing hours of all such shops on Saturdays, Fridays, and Wednesdays.
- (2) The Regulations made on the twenty-ninth day of February, 1916, directing that all shops for the sale of fresh uncooked meat within the South Riding of the Municipal District of the Shire of Swan Hill shall be exempted from the Saturday Half-Holiday, and fixing the closing hours of all such shops on Saturdays, Fridays, and Wednesdays.

RESCISSION OF EXEMPTION FROM SATURDAY HALF-HOLIDAY AND REGULATION OF CERTAIN SHOPS WITHIN THE SOUTH RIDING OF THE SHIRE OF SWAN HILL.

UNDER the powers in that behalf conferred by the Factories and Shops Acts, His Excellency the Governor of the State of Victoria, by and with the advice of the Executive Council thereof, upon a petition signed by a majority of all the shopkeepers (exclusive of hawkers and pedlars) keeping shops within the South Riding of the Municipal District of the Shire of Swan Hill of the particular classes to be affected, doth hereby revoke—

- (1) The Regulations made on the nineteenth day of October, 1915, directing that all shops (except shops for the sale of fresh uncooked meat, hairdressers' shops, and shops of the classes or kinds mentioned in the Fourth Schedule to the Factories and Shops Act 1915) within the Township of Lake Boga, within the Municipal District of the Shire of Swan Hill, shall be exempted from the Saturday Half-Holiday, and fixing the closing hours of all such shops on Saturdays, Fridays, and Wednesdays.
- (2) The Regulations made on the twenty-ninth day of February, 1916, directing that all shops (except shops for the sale of fresh uncooked meat, hairdressers' shops, and shops of the classes or kinds mentioned in the Fourth Schedule to the Factories and Shops Act 1915) within the South Riding of the Municipal District of the Shire of Swan Hill, shall be exempted from the Saturday Half-Holiday, and fixing the closing hours of all such shops on Saturdays, Fridays, and Wednesdays.

RESCISSION OF EXEMPTION FROM SATURDAY HALF-HOLIDAY AND REGULATION OF SHOPS FOR THE SALE OF FRESH UNCOOKED MEAT WITHIN THE TOWNSHIP OF SWAN HILL.

UNDER the powers in that behalf conferred by the Factories and Shops Acts, His Excellency the Governor of the State of Victoria, by and with the advice of the Executive Council thereof, doth hereby revoke the Regulations made on the fourteenth day of September, 1915, directing that all shops for the sale of fresh uncooked meat within the Township of Swan Hill, within the Municipal District of the Shire of Swan Hill, shall be exempted from the Saturday Half-Holiday, and fixing the closing hour of all such shops on Saturdays, Fridays, and Wednesdays.

And the Honorable Percy James Clarey, His Majesty's Minister of Labour for the State of Victoria, shall give the necessary directions herein accordingly.

C. W. KINSMAN,
Clerk of the Executive Council.

DEPARTMENT OF LANDS AND SURVEY.

At the Executive Council Chamber, Melbourne, the first day of July, 1947.

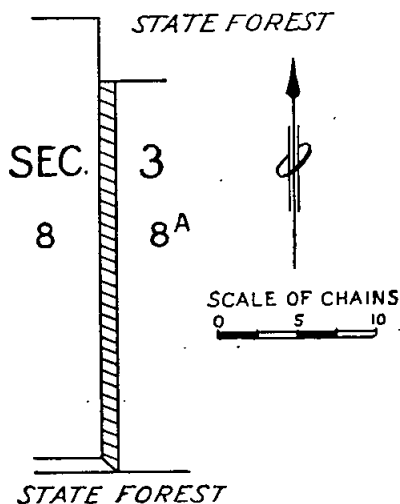
PRESENT:

His Excellency the Governor of Victoria.
Mr. Hayes | Mr. Fraser.

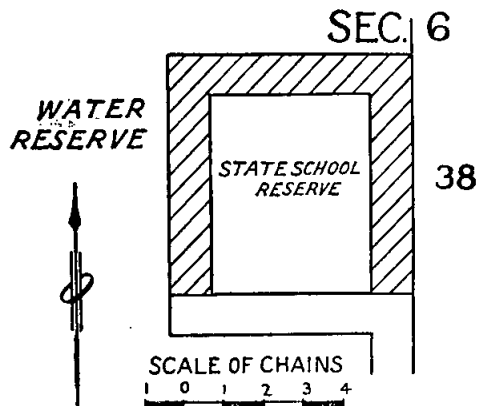
UNUSED AND UNMADE ROADS CLOSED.

HIS Excellency the Governor of the State of Victoria, by and with the advice of the Executive Council thereof, doth hereby direct that, in pursuance of the provisions of section 304 of the Land Act 1928 (No. 3709), the unused and unmade roads referred to hereunder be closed, viz.:—

Parish of Gorae, County of Normanby, being the road indicated by hachure on plan hereunder.—(G.210(4) (C.86775).



Parish of Buangor, County of Ripon, being the road indicated by hachure on plan hereunder.—(B.472(2) (C.90193).



And the Honorable Leslie William Galvin, His Majesty's Commissioner of Crown Lands and Survey for the State of Victoria, shall give the necessary directions herein accordingly.

C. W. KINSMAN,
Clerk of the Executive Council.

COUNTRY ROADS BOARD.

At the Executive Council Chamber, Melbourne, the
first day of July, 1947.

PRESENT:

His Excellency the Governor of Victoria.
Mr. Hayes | Mr. Fraser.

DECLARATION OF MAIN ROADS IN THE SHIRES OF ARAPILES, BASS, AND BELFAST, THE CITY OF BOX HILL, THE SHIRES OF GRENVILLE AND HEALESVILLE, THE TOWN OF HORSHAM, THE SHIRE OF KARKAROO, THE BOROUGH OF KOROIT, THE SHIRES OF KOWREE AND PORTLAND, THE BOROUGH OF RINGWOOD, THE SHIRE OF STAWELL, THE BOROUGH OF STAWELL, AND THE SHIRE OF WALPEUP.

WHEREAS by the Resolution set out below and dated the twenty-third day of June One thousand nine hundred and forty-seven the Country Roads Board incorporated under the *Country Roads Act 1928* (No. 3662), being of opinion that the highways in the State of Victoria set out or described in the Schedule to the same are of sufficient importance to be main roads and acting under the powers in that behalf conferred upon it by the said Act declared such highways to be main roads within the meaning and for the purposes of the Act aforesaid: And whereas the said Act amongst other things provides that the Governor in Council may by Order published in the *Government Gazette* confirm such Resolution whereupon any roads mentioned in such Resolution shall be main roads: And whereas it is deemed desirable to confirm the Resolution so made and passed by the said Country Roads Board: Now therefore His Excellency the Governor of the State of Victoria by and with the advice of the Executive Council thereof doth hereby confirm such Resolution and declare upon the publication of this Order in the *Government Gazette* the roads mentioned in the Schedule to such Resolution of the Country Roads Board main roads within the meaning and for the purposes of the *Country Roads Act 1928*.

*Resolution Declaring Main Roads under the
Country Roads Act.*

The Country Roads Board incorporated under the *Country Roads Act 1928* (No. 3662) at a meeting now holden being of opinion that the highways within the State of Victoria set out or described in the Schedule hereunder written are of sufficient importance to be main roads acting under the powers conferred upon it by the said Act doth by this Resolution hereby declare such highways to be main roads within the meaning and for the purposes of the said *Country Roads Act 1928*.

SCHEDULE.

Shire of Arapiles.

6. *Horsham-Noradjuha Road* (306).—Commencing at the bridge over Wimmera River, distant 24 deg. 0 min. 14 chains, more or less, from the northern angle of allotment 270, Parish of Vectis East, on the northern boundary of the shire; thence south-westerly, southerly, and south-westerly to the southern angle of the allotment last named; thence further south-westerly to its junction with the Natimuk-Hamilton road at the south-western angle of section 2, Township of Noradjuha, Parish of Darragan.

Shire of Bass.

10. *Dalyston-Glen Forbes Road* (810).—Commencing at the Glen Forbes Railway Station near the northern angle of allotment 166A, Parish of Corinella; thence north-easterly to and across the Bass River to the north-eastern angle of allotment 168 in the said parish; thence north-westerly to a point on the northern boundary of allotment 210 in the said parish, distant 287 deg. 12 min. 599 links and 276 deg. 42 min. 333.2 links from the north-eastern angle of that allotment; thence generally north-westerly through the said allotment and generally westerly along the northern boundary of allotment 210B to the north-western angle of that allotment (S.P. 712); thence north-westerly through Crown land to a point on the eastern boundary of allotment 213B, distant 356 deg. 58 min. 28.3 links from the south-eastern angle of that allotment; thence north-westerly through the said allotment to its junction with the Main Coast-road at a point distant 227 deg. 30 min. 2,254.6 links from the western angle of allotment 190, Parish of Corinella (S.P. 711).

NOTE.—This description supersedes the description for Glen Forbes-road, published in the *Government Gazette* dated 5th February, 1919, page 549.

13. *Loch-Kernot Road* (813).—Commencing at the Kernot Railway Station near the north-western angle of allotment 141B, Parish of Corinella; thence southerly and south-westerly to the north-western angle of allotment 141C; thence generally southerly, westerly, and southerly to the south-eastern angle of allotment 142C in the said parish; thence southerly along the eastern boundary of allotment 142B, Parish of Corinella, to its junction with Almurta-road at the south-eastern angle of the allotment last named.

Shire of Belfast.

7. *Koroit-Port Fairy Road* (1607).—Commencing at the western angle of portion 33, allotment 21, Parish of Koroit, on the eastern boundary of the shire; thence generally south-westerly and westerly to the north-western angle of allotment 25 of the said parish; thence south-westerly and south-easterly to the southern angle of the said allotment 25; thence southerly through allotment 15, Parish of Koroit, and further southerly and south-westerly to its junction with the Princes Highway at a point distant 227 deg. 30 min. 6 chains, more or less, from the southern angle of allotment 8 of the parish last named.

NOTE.—The route of the portion of this road between the Shire of Belfast and the Borough of Koroit is set out in the description of the route in the Borough of Koroit.

City of Box Hill.

4. *Canterbury-road* (19204).—Commencing at its junction with Warrigal-road at the north-western angle of allotment 39A, Parish of Nunawading, on the western boundary of the city; thence easterly to the south-western angle of allotment 86 of the said parish, on the eastern boundary of the city.

Shire of Grenville.

7. *Sebastopol-Smythesdale Road* (6907).—Commencing at the north-eastern angle of allotment 3, section 2A, Parish of Cardigan, on the eastern boundary of the shire; thence south-westerly to the south-western angle of allotment 1291, section 10, and north-westerly and south-westerly to the most southern angle of allotment 8, section N, of the said parish; thence north-westerly and south-westerly to the south-eastern angle of allotment 1, section 54, Township and Parish of Smythesdale; thence westerly through the said township to its junction with the Ballarat-Hamilton road at the south-western angle of allotment 6, section 14, of the township aforesaid.

8. *Cape Clear-Rokewood Road* (6908).—Commencing at its junction with the Pitfield-road at the northern angle of allotment 1, section 1, Township of Cape Clear, Parish of Mindai; thence south-easterly and easterly to the north-eastern angle of allotment 26, Parish of Dereel, south-easterly to the north-western angle of allotment A13A, Parish of Commeralghip, and generally easterly to the western angle of allotment 24A of the said parish of Dereel; thence south-easterly and southerly to and across the bridge over Mount Misery Creek near the north-eastern angle of allotment A19 of the Parish of Commeralghip aforesaid, on the eastern boundary of the shire.

Shire of Healesville.

9. *Buxton-Marysville Road* (7309).—Commencing at its junction with Healesville-Alexandra road at a point on the north-eastern boundary of allotment 9, Parish of Buxton, distant 133 deg. 34 min. 210 links from the northern angle of that allotment; thence south-easterly to a point on the western boundary of allotment 42C of the said parish, distant 197 deg. 14 min. 210.3 links from the north-western angle thereof; thence south-easterly through allotments 42C and 36A, parish aforesaid, to a point on the south-western boundary of the allotment last named, distant 105 deg. 44 min. 140 links from the most western angle thereof (S.P. 4067); thence south-easterly to and across the bridge over Steavenson River near the northern angle of allotment 40, Parish of Granton; thence south-easterly to and across the bridge over Taggerty River, and south-westerly to the south-eastern angle of allotment 31, Township of Marysville, Parish of Steavenson; thence south-easterly to its junction with Marysville-road and Marysville-Wood's Point road (Tourists') at the bridge over Steavenson River near the north-western angle of allotment 2, section E, of the township last named.

Town of Horsham.

7. *Kalkee-road* (7607).—Commencing at its junction with the Western Highway on the eastern boundary of allotment 4, section 2, Parish of Horsham, at a point distant 180 deg. 0 min. 8 chains (approximately) from the south-eastern angle of the said allotment 4; thence northerly to the north-eastern angle of allotment 1, section 2, Parish of Horsham, on the northern boundary of the town; thence easterly, northerly, and easterly along the boundary

between the Town of Horsham and the Shire of Wimmera to the south-eastern angle of allotment 2, Parish of Doon, on the northern boundary of the said town.

6. *Horsham-Lubeck Road* (7606).—Commencing at its junction with the Western Highway at the south-western angle of allotment 3, section 7, Parish of Horsham; thence easterly to the south-eastern angle of allotment 8 of the said section and parish, on the eastern boundary of the town; thence northerly along the boundary between the Town of Horsham and the Shire of Wimmera, to the south-western angle of allotment 18, Parish of Horsham.

Shire of Karkaroc.

11. *Patchewollock-Sea Lake Road* (8211).—Commencing at a point on the northern boundary of allotment 19, Parish of Patchewollock, distant 71 deg. 25 min. 60 chains, more or less, from the north-western angle of that allotment; thence north-easterly and generally easterly to the south-eastern angle of allotment 36 (water reserve), Parish of Dering; thence generally south-easterly, easterly, and south-easterly to the eastern angle of allotment 16, Parish of Denning; thence north-easterly and generally easterly to a point on the southern boundary of allotment 2, Parish of Gorya, distant 270 deg. 21½ min. 740 links from the south-eastern angle thereof; thence north-easterly through the allotment last named (S.P. 3922) and across the railway to its junction with the Henty Highway at the northern boundary of Speed Railway Station ground.

Also, commencing at its junction with the Henty Highway at a point distant 269 deg. 59 min. 600 links from the south-western angle of allotment 10, section 1, Township of Speed, Parish of Gorya; thence easterly to the north-eastern angle of allotment 9 of the parish last named, on the eastern boundary of the shire.

10. *Berrivillock-Woomelang Road* (8210).—Commencing at a point on the western boundary of allotment 31, Parish of Willangie, distant 180 deg. 0 min. 370 links from the north-western angle of the said allotment, on the eastern boundary of the shire; thence southerly along the boundary between the Shires of Karkaroc and Wyche-proof to a point on the eastern boundary of allotment 1, Parish of Cronomby, distant 0 deg. 28 min. 322 links from the south-eastern angle of the allotment last named; thence south-westerly through that allotment (S.P. 4410) and westerly to its junction with the Hopetoun-Woomelang-Sea Lake road at the south-western angle of allotment 4 of the said Parish of Cronomby.

Borough of Koroit.

3. *Koroit-Port Fairy Road* (8603).—Commencing at its junction with the Koroit-Warrnambool road at the north-western angle of allotment 19, Parish of Koroit; thence southerly and south-westerly to the western angle of portion 27, allotment 21, of the said parish, on the western boundary of the borough, and further south-westerly, along the boundary between the Borough of Koroit and the Shire of Belfast, to the western angle of portion 33 of the said allotment 21, on the western boundary of the borough.

Shire of Kowree.

6. *Kaniva-Edenhope Road* (8806).—Commencing at its junction with the Edenhope-Goroke road near the south-eastern angle of allotment 19, Parish of Edenhope; thence generally north-westerly and north-easterly to the south-western angle of allotment 69, Parish of Awonga; thence northerly, north-westerly, and northerly to the north-western angle of allotment 86, Parish of Jallakin; thence northerly, north-westerly, and north-easterly to the southern angle of allotment 26, Parish of Morea; thence north-westerly and northerly to the northern angle of allotment 46A of the last named parish; thence north-westerly and northerly to the north-western angle of allotment 12B, Parish of Boorooopki; thence easterly to the north-eastern angle of the said allotment 12B, and northerly to its junction with the Boorooopki-Frances road at the north-eastern angle of allotment A, Lemon Springs, pre-emptive right, Parish of Boorooopki.

13. *Casterton-Edenhope Road* (8813).—Commencing at "Burke's" Bridge over Gleneig River near the south-western angle of allotment 22, Parish of Kadnook, on the southern boundary of the shire; thence generally north-westerly, northerly, and north-easterly through allotments 23, 24, 15, 8, and 7, all of the parish last named (including a shire deviation and S.P.'s 4580, 4581, and 4582) to a point on the eastern boundary of the allotment last named, distant 358 deg. 4 min. 671.9 links from the south-eastern angle of the said allotment 7; thence northerly and north-easterly to a point on the south-eastern boundary of allotment 1, Parish of Kadnook, distant 227 deg. 35 min. 437 links from the eastern angle of that allotment; thence north-easterly through allotments 1 and 35 of the said parish to the eastern boundary of the allotment last named (S.P. 4579); thence north-westerly and northerly to its junction with the Hamilton-Edenhope-Apsley road at the north-western angle of allotment 34B, Parish of Kadnook.

Shire of Portland.

9. *Portland-Nelson Road* (13409).—Commencing at its junction with Heath-road at the south-eastern angle of allotment L, section 1, Parish of Portland; thence northerly, westerly, and northerly to the north-eastern angle of allotment F, section 1, of the aforesaid parish; thence north-westerly through the Parish of Gorae to the northern angle of allotment 4, section 2, of the said parish; thence north-westerly and westerly to the northern end of Heath-road at the north-eastern angle of allotment 9, section 9, Parish of Mouzie; thence generally north-westerly, northerly, westerly, and northerly to the north-eastern angle of allotment 4, section 7, of the said parish; thence generally north-westerly to an angle in the northern boundary of allotment 11, section 10, formed by the intersection of lines bearing 50 deg. 33 min. and 69 deg. 1 min.; thence north-westerly and south-westerly through a timber reserve in the section and parish last named to an angle in a Government road through that reserve formed by the intersection of lines bearing 57 deg. 32 min. and 143 deg. 52 min.; thence south-westerly by that road to Johnstone's Creek, distant 237 deg. 32 min. 9 chains approximately from the said road angle, north of allotment 2, section 1, Parish of Mouzie.

Note.—Part of this description supersedes the descriptions published in *Government Gazettes* dated 2nd July, 1924, page 2224, and 19th March, 1930, page 1102 (grubbed road).

10. *Dartmoor-Hamilton Road* (13410).—Commencing at its junction with the Princes Highway at a point distant 302 deg. 20 min. 280 links, 317 deg. 11 min. 50 links, and 287 deg. 20 min. 170 links from an angle in the western boundary of allotment 45, Town and Parish of Dartmoor, formed by the intersection of lines bearing 302 deg. 20 min. and 357 deg. 54 min.; thence generally northerly and north-easterly to a point on the eastern boundary of the said town, distant 180 deg. 0 min. 1,612 links from the northern angle of allotment 26 of the said town; thence north-easterly to the northern angle of allotment 5, section 3, of the said parish; thence north-easterly to a point on the southern boundary of a camping reserve, section A, Parish of Wataepoolan, distant 274 deg. 45 min. 200 links approximately from the south-eastern angle thereof; thence north-easterly through that reserve to its eastern boundary; thence north-easterly to and through a State forest, and further north-easterly to the north-western angle of allotment 31B of the parish last named; thence generally north-easterly to the northern angle of allotment 1A of the parish last named; thence further north-easterly along the north-western boundary of allotment 2A to the northern angle of the said allotment; thence generally north-easterly to the northern angle of allotment 9, section 1, Parish of Digby, on the western boundary of the Town of Digby; thence further north-easterly to its junction with the Portland-Casterton road at the north-eastern angle of allotment 16A of the town and parish last named.

Also, commencing at its junction with the Portland-Casterton road at the north-western angle of allotment 1, section 26, Town and Parish of Digby; thence easterly, south-easterly, and generally easterly to the north-eastern angle of allotment 8c, section 11, Parish of Grassdale; thence north-easterly and easterly to the north-eastern angle of allotment B1, section 8, Parish of Grassdale, on the western boundary of the shire.

Borough of Ringwood.

4. *Canterbury-road* (14004).—Commencing at the south-western angle of allotment 2, Parish of Ringwood, on the western boundary of the borough; thence easterly and north-easterly to the south-eastern angle of allotment 41 of the said parish; thence south-easterly to the south-eastern angle of allotment 32B, Parish of Ringwood, on the eastern boundary of the borough.

Shire of Stawell.

12. *Stawell-Pomonal Road* (15612).—Commencing at the eastern angle of allotment 78B, Parish of Mokepilly, on the southern boundary of the Borough of Stawell; thence generally south-westerly to the south-western angle of allotment 87 of the said parish; thence south-westerly and westerly to the eastern angle of allotment 13, Parish of Bellellen; thence south-westerly across Mt. William Creek to the northern angle of allotment 102 of the parish last named, and southerly to the south-eastern angle of the said allotment 102, on the southern boundary of the shire.

Borough of Stawell.

7. *Stawell-Pomonal Road* (15707).—Commencing at its junction with the Western Highway at the north-eastern angle of section 5, Township and Parish of Stawell; thence south-westerly to the south-eastern angle of allotment 2, section 6, of the said township and parish, and further south-westerly across Pleasant Creek to the north-eastern angle of allotment 1, section 6A, of the township and parish aforesaid; thence southerly, south-easterly, and southerly to the south-eastern angle of the racecourse

reserve, Township and Parish of Stawell; thence westerly and south-westerly to the eastern angle of allotment 78B, Parish of Mokepilli, on the southern boundary of the borough.

Shire of Walpeup.

5. Ouyen—Manangatang Road (17305).

NOTE.—The route of the portion of this road between the Shires of Walpeup and Swan Hill is set out in the description of the road route in the Shire of Swan Hill.

The common seal of the Country Roads Board was hereto affixed, at Melbourne, this twenty-sixth day of June, One thousand nine hundred and forty-seven, in the presence of—

(SEAL) W. L. DALE, Chairman.
F. M. CORRIGAN, Member.
R. JANSEN, Secretary.

And the Honorable Patrick John Kennelly, His Majesty's Commissioner of Public Works for the State of Victoria, shall give the necessary directions herein accordingly.

C. W. KINSMAN,
Clerk of the Executive Council.

DEPARTMENT OF LANDS AND SURVEY.

At the Executive Council Chamber, Melbourne, the first day of July, 1947.

PRESENT:

His Excellency the Governor of Victoria.
Mr. Hayes | Mr. Fraser.

ORDER DECLARING LEASES VOID AMENDED.

HIS Excellency the Governor of the State of Victoria, by and with the advice of the Executive Council thereof, doth hereby, in pursuance of the provisions of the Land Act 1928, and all other powers enabling him in that behalf, amend the Order in Council made on the 11th day of March, 1947, whereby certain leases under the Land Acts were declared void, by deleting therefrom all reference to the lease for allotments 11 and 11A, section 7, Parish of Dondangadale, held by Caroline Positti.

And the Honorable Leslie William Galvin, His Majesty's Commissioner of Crown Lands and Survey for the State of Victoria, shall give the necessary directions herein accordingly.

C. W. KINSMAN,
Clerk of the Executive Council.

DEPARTMENT OF LANDS AND SURVEY.

At the Executive Council Chamber, Melbourne, the first day of July, 1947.

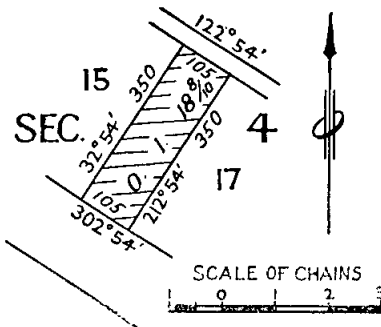
PRESENT:

His Excellency the Governor of Victoria.
Mr. Hayes | Mr. Fraser.

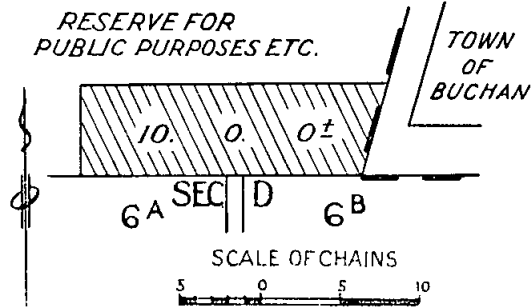
LANDS TEMPORARILY RESERVED FROM SALE.

HIS Excellency the Governor of the State of Victoria, by and with the advice of the Executive Council thereof, doth hereby, in pursuance of the provisions of the Land Act 1928, reserve, temporarily, and also except from occupation for mining purposes under any miner's right, the lands hereinafter described:—

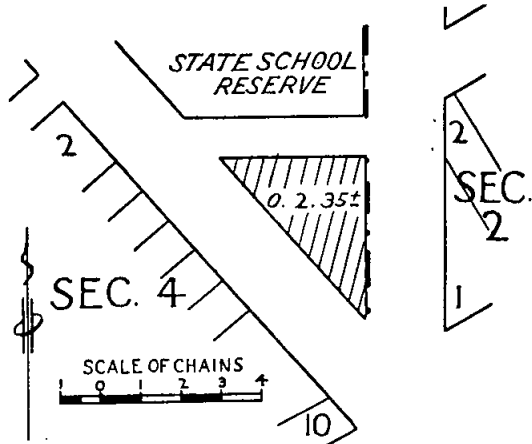
MORRADOO (CRIB POINT).—Site for an Infant Welfare Centre—1 rood 18 8/10 perches, Township of Morradoo, Parish of Bittern, County of Mornington, as indicated by hachure on plan hereunder.—(M.531⁽²⁾) (Rs.5934).



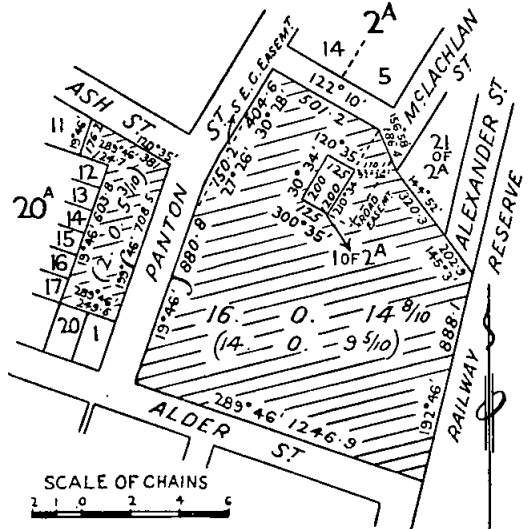
BUCHAN.—Site for the Camping of Stock—10 acres, more or less, Parish of Buchan, County of Tambo, as indicated by hachure on plan hereunder.—(B.605⁽⁷⁾) (Rs.5914).



NORADJUHA.—Site for a Public Hall—2 roods 35 perches, more or less, Township of Noradjuha, Parish of Lowan, County of Lowan, as indicated by hachure on plan hereunder.—(N.126⁽²⁾) (Rs.5987).



BENDIGO.—Site for Water Supply purposes—16 acres 0 roods 14 8/10 perches, City of Bendigo, Parish of Sandhurst, County of Bendigo, as indicated by hachure on plan hereunder.—(S.372^(2A)) (Rs.5975).



And the Honorable Leslie William Galvin, His Majesty's Commissioner of Crown Lands and Survey for the State of Victoria, shall give the necessary directions herein accordingly.

C. W. KINSMAN,
Clerk of the Executive Council.

LOCAL GOVERNMENT ACT 1946.

At the Executive Council Chamber, Melbourne, the eighth day of July, 1947.

PRESENT:

His Excellency the Governor of Victoria.
Mr. Galvin | Mr. Hayes.

VOTING BY POST AT MUNICIPAL ELECTIONS.

DIVISION 15 OF PART V. OF THE CONSTITUTION ACT AMENDMENT ACT 1928 (No. 3660), MADE APPLICABLE TO ELECTIONS OF COUNCILLORS UNDER THE PROVISIONS OF SECTION 149 OF THE LOCAL GOVERNMENT ACT 1946 (No. 5203).

HIS Excellency the Governor of the State of Victoria, by and with the advice of the Executive Council thereof, and pursuant to the petition of the Council of the municipality of the City of Heidelberg, doth by this Order, under provisions of section 149 of the *Local Government Act 1946* (No. 5203), direct that the provisions of Division 15 of Part V. of *The Constitution Act Amendment Act 1928* (No. 3660), applicable and severally hereinafter set out with alterations therein, such alterations being deemed necessary for the purpose of carrying into effect such provisions, shall apply to the election of councillors for the said municipality.

VOTING BY POST.

Obtaining of Forms of Application for Postal Ballot-papers.

274. (1) Any person entitled to vote at an election about to be held in any municipality who satisfies the returning officer—

- (a) that he resides at least 5 miles from the nearest polling place at which he is entitled to vote; or
- (b) that he has reason to believe that on the polling day during the hours of polling he will not be within 5 miles of the nearest polling place at which he is entitled to vote; or
- (c) that on account of ill health or infirmity he will be prevented from voting personally at any such polling place,

may before the polling day make application in the form B of the 25th Schedule or to the like effect to the returning officer for such municipality for a postal ballot-paper or postal ballot-papers enabling him to vote through the post at such election instead of attending personally to tender his vote thereat.

(2) In the case of an application on the ground that he has reason to believe that on the polling day, during the hours of polling, he will not be within 5 miles of the nearest polling place at which he is entitled to vote, the applicant shall state in his application the reason for such belief.

Application to be Signed in Presence of Authorized Witness.

(3) With respect to applications for postal ballot-papers the following provisions shall have effect:—

- (a) The following directions with respect to such applications shall be substantially observed:—
 - (i) When so much of the form of application as precedes the places for the signatures has been filled in and otherwise completed, the applicant shall exhibit his form of application to an authorized witness;
 - (ii) The applicant shall then, in the presence of the authorized witness, sign his name in his own handwriting on the form of application in the place provided for the signature of the applicant; and
 - (iii) The authorized witness shall then sign his name in his own handwriting in the place provided for the signature of the authorized witness, and shall add the title under which he acts as an authorized witness, his residence, and the date;

(b) An authorized witness shall not witness the signature of any applicant on any application for a postal ballot-paper or postal ballot-papers, unless the authorized witness—

- (i) has satisfied himself as to the identity of the applicant;
- (ii) has seen the applicant sign the application in his own handwriting; and
- (iii) knows that the statements contained in the application are true, or has satisfied himself (whether by inquiry from the applicant or otherwise) that the said statements are true.

Authorized Witness Not to Induce, &c., Persons to Apply for Postal Ballot-papers.

(c) An authorized witness shall not persuade or induce or associate himself with any person in persuading or inducing any person to make application for a postal ballot-paper or postal ballot-papers.

Authorized Witness Not to Visit Person to Witness Signature to Application except on Account of Ill Health or Infirmity.

(d) An authorized witness shall not—

- (i) visit any person for the purpose of witnessing the signature of such person to his application for a postal ballot-paper or postal ballot-papers; or
- (ii) witness the signature of any person to any such application in any place other than the ordinary residence or place of business of the authorized witness:

Provided that if any person desires to make application for a postal ballot-paper or postal ballot-papers and is unable on account of ill health or infirmity to present himself before an authorized witness, any member of the Police Force or other authorized witness, when so requested by any such person, in writing, may visit such person for the purpose of witnessing his signature to such application.

Penalty.

(e) Every authorized witness guilty of any contravention of or failure to observe any of the provisions of this sub-section as applied shall be liable to a penalty of not more than One hundred pounds, or to imprisonment for a term of not more than three months.

Posting of List of Applicants for Postal Ballot-Papers.

(f) A list containing the names of all applicants for postal ballot-papers, and the respective addresses to which they have been requested to be sent, shall be posted for public inspection outside the office of the returning officer of the district for which they are issued.

On Application, Returning Officer to Supply Postal Ballot-Paper or Postal Ballot-papers.

276. (1) (a) On receiving from any applicant an application for a postal ballot-paper or postal ballot-papers, the returning officer, having ascertained that the name of the applicant is upon the voters' roll to be used at the election for the municipality specified in the application, and that the applicant is not prohibited from voting, and if satisfied that the application is properly signed by the applicant and is properly witnessed, and that the applicant is entitled according to the statements contained in his application to a postal ballot-paper or postal ballot-papers, shall deliver to the applicant or post to him at the postal address named in the application a postal ballot-paper (with a counterfoil attached), or if such applicant appears by the voters' roll to be entitled to give more votes than one, then so many ballot-papers as may be equal to the number of votes not exceeding three which such applicant so appears to be entitled to give in the form or to the effect of the 26th Schedule, together with an envelope addressed to such returning officer at the polling place at which he intends to preside. Such envelope shall be marked "Postal Ballot-paper."

(b) If the returning officer is not satisfied that the application is properly signed by the applicant, or that the application is properly witnessed, or that the applicant is entitled to vote by post, he shall forthwith post to the applicant a notice in the form of the 28th Schedule or to the like effect.

Folding of Ballot-paper.

(2) Each ballot-paper before being enclosed shall be folded to the counterfoil.

Effect of Immaterial Error.

277. No application for a postal ballot-paper or postal ballot-papers shall, if properly signed by the applicant and properly witnessed, be deemed insufficient or invalid by reason only that in such application there is an omission or incorrect or insufficient description or misdescription in respect of any of the particulars required by law to be contained therein, if the returning officer is satisfied that the applicant is entitled to a postal ballot-paper or postal ballot-papers.

Initialling of Ballot-papers.

278. (1) The returning officer shall—

- (a) initial each postal ballot-paper issued; and
- (b) keep and number the applications therefor in consecutive order, writing the corresponding number on the counterfoil of the ballot-paper.

(2) On the counterfoil the returning officer shall also write the number on the voters' roll of the person to whom the postal ballot-paper is issued.

(3) Every postal ballot-paper issued by a returning officer after four o'clock in the afternoon of the day of nomination shall have printed or written thereon, in alphabetical order of surnames, the surnames and christian or other names of the candidates for election and, in the case of two or more candidates having the said surname and christian or other names, the residence and occupation of each such candidate: Provided that if no two candidates have the same surname, a postal ballot-paper so issued and upon which the candidates' names are written may have the surnames only of the candidates written thereon.

Record of Issue of Voting by Postal Ballot-paper or Postal Ballot-papers.

279. (1) The returning officer shall on the voters' roll to be used at the election for the municipality to which such postal ballot-paper or postal ballot-papers relate note opposite the applicant's name wherever it appears the fact that such postal ballot-paper has or postal ballot-papers have been issued to such applicant, and the date of such issue.

Notification to Presiding Officers.

(2) In case there is not time to note the fact of the issue of any postal ballot-paper or postal ballot-papers on every such roll on which such applicant's name appears which is to be used at the election, the returning officer shall in such manner as he thinks fit immediately notify such issue to the deputy returning officer at every polling place for such municipality at which a roll is to be used on which such applicant's name appears.

Mode of Voting by Means of Postal Ballot-papers.

280. The following directions for regulating voting by means of postal ballot-papers shall be substantially observed:—

(1) The voter shall exhibit his postal ballot-paper unmarked to an authorized witness.

(2) The voter shall in the presence of the authorized witness but so that the witness cannot see the vote—

(a) write on the ballot-paper the surnames of all the candidates (if the candidates' papers are not already printed or written thereon when the ballot-paper is issued to him); and

(b) indicate the order of his preference by placing the figures 1, 2, 3, 4 and so on opposite the candidates' names.

Provided that where there are only two candidates, the provisions of paragraphs (a) and (b) shall be deemed to be sufficiently complied with if the ballot-paper is inscribed or marked in any manner so as clearly to indicate for whom the voter votes.

(3) In the case of a ballot-paper upon which the candidates' names are not printed or written when issued to the voter the voter shall, if more candidates than one have the same surname, also insert in the ballot-paper the christian or other names of each such candidate, and if more candidates than one have the same surname and christian or other names the residence and occupation of each such candidate.

(4) If the voter's sight is so impaired that he is unable to vote without assistance, the authorized witness, at the request of the voter—

(a) shall mark his vote on the ballot-paper and shall (if the voter so desires) mark the same in the presence of another person; or

(b) shall permit some other person appointed by the voter to mark the ballot-paper for him.

(5) The voter shall then refold the ballot-paper and fasten the same.

(6) The voter shall then sign his name in his own handwriting on the counterfoil in the place provided for the signature of the voter.

(7) The authorized witness shall then sign his name in his own handwriting in the place provided for the signature of the witness, and shall add the title under which he acts as an authorized witness, his residence, and the date.

(8) The voter shall then place the ballot-paper with the counterfoil attached, or ballot-papers each with counterfoil attached, into the envelope addressed to the returning officer, fasten the envelope in the presence of the authorized witness, and post it.

Duty of Authorized Witness.

281. (1) The authorized witness shall—

(a) see that the foregoing directions are substantially complied with;

(b) refrain from looking at the vote given by the voter except where the voter cannot vote without assistance and the voter requests his assistance;

(c) not disclose any knowledge officially acquired by him touching the vote of the voter save in answer to some question which he is legally bound to answer or in compliance with the express provisions of the law relating to elections of councillors for municipalities.

Witnessing Signature to Postal Ballot-Paper or Counterfoil.

(2) An authorized witness shall not—

(a) visit any voter for the purpose of witnessing the signature of such voter to his postal ballot-paper or postal ballot-papers;

(b) witness the signature of any voter to his postal ballot-paper or postal ballot-papers at any place other than the ordinary residence or place of business of the authorized witness; or

(c) witness the signature of any voter to his postal ballot-paper or postal ballot-papers unless the authorized witness has satisfied himself as to the identity of the voter and has seen the voter sign the counterfoil or counterfoils in the voter's own handwriting.

Provided that if any voter has received a postal ballot-paper or postal ballot-papers, and is unable, on account of ill health or infirmity, to present himself before an authorized witness, any member of the Police Force or other authorized witness when so requested by any such voter, in writing, may visit such voter for the purpose of witnessing his signature to such postal ballot-paper or postal ballot-papers.

Penalty.

(3) Every authorized witness guilty of any contravention of any of the provisions of this section shall be liable to a penalty of not more than One hundred pounds, or to imprisonment, with or without hard labour, for a term of not more than three months.

Mistakes in Spelling Immaterial.

282. No postal ballot-paper shall be rejected because of any mistake in spelling the name of the candidate if the intention is clear.

Person who has Received Postal Ballot-paper or Postal Ballot-papers Not to Vote Personally Without Giving up Same.

283. (1) Except as provided in the next succeeding section, no person to whom a postal ballot-paper for any election has or postal ballot-papers have been sent shall be entitled to vote personally at any poll unless he previously gives up such postal ballot-paper or postal ballot-papers unmarked to the returning officer or deputy at the polling place at which he is entitled to vote.

(2) Such officer shall immediately cancel any such postal ballot-paper and retain it.

Provision when Person claims to vote, although Postal Ballot-paper already issued.

284. (1) If a person to whom a postal ballot-paper appears to have been sent states that he has not received such postal ballot-paper and claims to vote personally at any polling place within the municipality to which such postal ballot paper relates, the returning officer or deputy at such booth may take from such person a declaration in the form of the Twenty-ninth Schedule or to the like effect. Thereupon such person shall be entitled to vote personally at such poll and his vote shall be taken in the ordinary way.

(2) If such vote is received by the deputy returning officer he shall immediately advise the returning officer of the fact of such person having voted personally and shall forward the declaration to the returning officer with the ballot-papers, and if any postal ballot-paper purports to have been received from the same person such postal ballot-paper shall be rejected at the counting of the votes and the returning officer shall state thereon the reason of such rejection.

Additional Question to be put on Tender of Vote Personally.

285. (1) The returning officer or deputy shall before any person personally tendering his vote at any election for any municipality receives a ballot-paper or ballot-

papers (but not afterwards), put to such person the following question in addition to any others he may lawfully put:—

Have you received a postal ballot-paper or postal ballot-papers enabling you to vote at the election for a councillor or councillors (as the case may be) for the Ward of the to-day? (*In the case of an adjourned poll the day from which the poll was adjourned should also be named in the question.*)

Refusal, &c., to Answer.

(2) Every person having tendered his vote when such question is put as aforesaid who refuses or omits distinctly to answer the same, and every person who answers the question in the affirmative but does not deliver up his postal ballot-paper or postal ballot-papers, unmarked, shall be and be deemed prohibited from voting then and afterwards at such election, and shall be guilty of an offence and shall be liable to a penalty of not more than Twenty pounds or to imprisonment with or without hard labour for a term of not more than one month.

Penalty for False Answer.

(3) Every person who wilfully makes a false answer to such question put as aforesaid shall be guilty of an offence, and shall be liable to a penalty of not more than Fifty pounds or to imprisonment with or without hard labour for a term of not more than three months.

Inclusion of Votes through the Post at close of Poll.

286. When immediately upon the close of any poll the returning officer is proceeding to ascertain the number of votes for each candidate, the returning officer shall produce unopened all envelopes containing postal ballot-papers received by him through the post up to the close of the poll, and such envelopes shall be opened in the presence of the scrutineers present and poll clerk (if any) but of no other person, and shall be dealt with as follows, namely:—

- (a) The returning officer shall produce all applications for postal ballot-papers;
- (b) The returning officer, without unfolding each postal ballot-paper or allowing it to be inspected, shall compare the signature of the voter on the counterfoil with the signature to the application and allow the scrutineers to inspect the same, and the returning officer shall determine whether or not the signature on the postal ballot-paper is that of the applicant;
- (c) If the postal ballot-paper is allowed by the returning officer he shall tear off the counterfoil without seeing the names of the candidate or candidates voted for, and shall insert the folded postal ballot-paper in a ballot-box separate from that used during the polling, and when all such postal ballot-papers have been so inserted the counting of the votes recorded therein shall commence;
- (d) Any postal ballot-paper not witnessed as required by these provisions as applied shall be disallowed by the returning officer;
- (e) The returning officer shall attach all the counterfoils together;
- (f) The list of the number of votes received by each candidate shall show separately the votes tendered personally and the votes given by postal ballot-papers;
- (g) If the returning officer disallows a postal ballot-paper then such ballot-paper shall be included in a sealed parcel of ballot-papers which shall be set aside for separate custody and transmitted to the clerk of the municipality.

Applications and Counterfoils to be forwarded to the Clerk of the Municipality after Declaration of Poll and to be Open for Inspection.

288. Notwithstanding anything in the *Local Government Act 1928*—

- (a) All applications for postal ballot-papers and all counterfoils of postal ballot-papers received by a returning officer—
 - (i) shall not be made up or enclosed in the sealed parcels as required by sections 144 and 145 of the said Act, but shall be made up and enclosed in a special packet which shall be endorsed with a description of the contents and the name of the ward, the name of the municipality, and the date of the polling (which endorsement shall be signed by the returning officer), and forthwith after the declaration of the poll shall be forwarded by the returning officer to the clerk of the municipality;

Preservation of Applications and Counterfoils.

(ii) shall be safely kept by the clerk of the municipality for twelve months; and

Applications and Counterfoils Open to Public Inspection.

- (iii) after receipt thereof by the clerk of the municipality shall be open to public inspection at all convenient times during office hours at the office of the municipality until the expiration of the said period of twelve months; and
- (iv) after the period of twelve months referred to the applications for postal ballot-papers and counterfoils of ballot-papers shall be destroyed as provided by section 145 of the *Local Government Act*.

Clerk of the Municipality to give Receipt for Packet.

(b) the clerk of the municipality shall forthwith give or send to the returning officer a receipt under his hand for every such special packet received by him.

Production before Police Magistrate.

(c) the clerk of the municipality shall produce any such applications or counterfoils when required to do so by any police magistrate for the purposes of any recount of votes by such police magistrate.

Applications and Counterfoils to be Evidence.

(d) any application for a postal ballot-paper and any counterfoil of a postal ballot-paper taken from any such special packet and having written thereon respectively under the hand of the clerk of the municipality a certificate of the several particulars required by this section to be endorsed upon such packet, and that the same was taken from such packet shall be evidence in any Court or before any justice—

- (i) that the same was so taken;
- (ii) that the same, if an application was received by the returning officer (at the election to which such endorsement and writing relate), and that a postal ballot-paper the counterfoil of which bears the application number corresponding with the application number written on the application, was issued by the returning officer to the applicant whose name appears on the application; and
- (iii) that the same, if a counterfoil, was the counterfoil of a postal ballot-paper used at the said election.

Certain Offences to be Bribery.

289. The following persons shall be deemed guilty of bribery:—

- (a) Every person who directly or indirectly makes overtures to any person for the acquiring by gift or purchase or who acquires by gift or purchase from any person any postal ballot-paper; and
- (b) every person who directly or indirectly makes overtures to any other person for the giving away or parting with the possession of or selling any postal ballot-paper or who gives away any such paper or who sells or (except as in this Division as applied provided) parts with the possession of any postal ballot-paper.

Making False Application a Misdemeanour.

290. If in any application for a postal ballot-paper any person makes any false statement or if any person applies for a postal ballot-paper to which some other person is entitled he shall be guilty of a misdemeanor and shall be liable to imprisonment with or without hard labour for a term of not more than two years.

False Declaration Perjury.

291. Every person who wilfully makes and subscribes any declaration for the purposes of this Division as applied, the same being untrue or false in any particular, shall be liable to the penalties of perjury.

Inducing Disclosure of Vote by Post, &c., an Offence.

292. Every person who—

- (a) directly or indirectly requires, induces, or attempts to induce any person to show by producing his postal ballot-paper for whom he intends to vote at any election; or

(b) unless authorized by this Division as applied writes the name or names of any candidate or candidates or marks any vote in any postal ballot-paper not issued to such person; or
 (c) opens any envelope addressed to a returning officer not being duly authorized so to do by such returning officer—
 shall be guilty of an offence, and shall be liable to imprisonment with or without hard labour for a term of not more than one year.

Inducing Persons to Vote for any Particular Candidate by Bribery or Intimidation.

293. (1) Every person who requires, induces, or attempts to induce any person in his employment to obtain a postal ballot-paper with the intention of influencing such person by bribery or intimidation to record his vote in favour of any particular candidate shall be guilty of an offence, and shall be liable to a penalty of not more than Fifty pounds, to be recovered in a summary way before a court of petty sessions by any person who sues for the same.

(2) Bribery or intimidation shall for the purposes of this section include any promise or threat either expressed, implied, or understood of any benefit or disadvantage to accrue directly or indirectly to such person from such first-mentioned person.

Authorized Witnesses.

294. The following persons being resident in Victoria shall be authorized witnesses in and for Victoria within the meaning of this Division as applied:—

- (a) All returning officers and electoral registrars appointed under any Act relating to elections for the Legislative Council or the Legislative Assembly; all postmasters or postmistresses or persons in charge of post offices; all police magistrates; all justices; all commissioners for taking declarations and affidavits; all head teachers of State schools; all members of the Police Force; all clerks of petty sessions; all railway stationmasters; all councillors of and the clerk or secretary of any city, town, borough, or shire; all barristers and solicitors; and all legally qualified medical practitioners.
- (b) All persons or classes of persons employed in the Public Service of Victoria who are appointed by the Governor in Council to be authorized witnesses within the meaning of this Division as applied.

No person who is a candidate for any election shall be an authorized witness at or in connexion with that election.

SCHEDULES.

TWENTY-FIFTH SCHEDULE.—FORM B.

(Section 274.)

Application for a Postal Ballot-paper or Postal Ballot-papers.

To the Returning Officer for the (a) Ward
 of (b) I, (c)
 hereby apply for a postal ballot-paper (or postal ballot-papers).

(1) I am a person entitled to vote at an election about to be held for the (d) Ward (or Municipality).

(a) Here insert the name of Ward; (b) here insert name of municipality; (c) here insert christian or other name or names, surname, residence, and occupation; (d) here insert name of Ward or Municipality.

(2) The ground on which I apply for the postal ballot-paper is—

* (a) That I reside at least 5 miles from the nearest polling place at which I am entitled to vote.

* (b) That I have reason to believe that on the polling day during the hours of polling I will not be within 5 miles of the nearest polling place at which I am entitled to vote.

My reasons for this belief are—

* (c) That on account of ill health or infirmity I will be prevented from voting personally on polling day.

*NOTE.—The applicant will strike out any two of the above grounds which do not apply to his particular case, as only one ground is necessary for the application.

(3) I request that the postal ballot-paper (or postal ballot-papers) may be forwarded to me at (e) or (as the case may be) be delivered to me personally.

(e) Here state address to which postal ballot-paper or postal ballot-papers are to be sent.

Signed by the applicant in his own handwriting in my presence—

Signature of applicant in own handwriting.
 Signature of authorized witness in own handwriting.

Title under which witness acts as an authorized witness.

Residence of authorized witness.

Dated at this day of
 19 .

CAUTION.—Any person making a false statement in an application is liable to imprisonment for a term of not more than two years.

Authorized Witnesses.

The following persons being resident in Victoria are authorized witnesses in and for Victoria:—

- (a) All returning officers and electoral registrars appointed under any Act relating to elections for the Legislative Council or the Legislative Assembly; all postmasters or postmistresses or persons in charge of post offices; all police magistrates; all justices; all commissioners for taking declarations and affidavits; all head teachers of State schools; all members of the Police Force; all clerks of petty sessions; all railway stationmasters; all councillors of and the clerk or secretary of any city, town, borough, or shire; all barristers and solicitors; and all legally qualified medical practitioners.
- (b) All persons or classes of persons employed in the Public Service of Victoria who are appointed by the Governor in Council to be authorized witnesses.

No person who is a candidate at any election shall be an authorized witness at that election.

Instructions to Applicants and Authorized Witnesses.

(a) When so much of the form of application as precedes the places for the signatures has been filled in and otherwise completed the applicant shall exhibit his form of application to an authorized witness.

(b) The applicant shall then in the presence of the authorized witness sign his name in his own handwriting on the form of application in the place provided for the signature of the applicant.

(c) The authorized witness shall then sign his name in his own handwriting in the place provided for the signature of the authorized witness, and shall add the title under which he acts as an authorized witness, his residence, and the date.

Offences and Penalties.

(a) An authorized witness shall not witness the signature of any applicant on any application for a postal ballot-paper or postal ballot-papers unless the authorized witness—

- (i) has satisfied himself as to the identity of the applicant;
- (ii) has seen the applicant sign the application in his own handwriting; and
- (iii) knows that the statements contained in the application are true or has satisfied himself (whether by inquiry from the applicant or otherwise) that the said statements are true.

(b) An authorized witness shall not persuade or induce or associate himself with any person in persuading or inducing any person to make application for a postal ballot-paper or postal ballot-papers.

(c) An authorized witness shall not—
 (i) visit any person for the purpose of witnessing the signature of such person to his application for a postal ballot-paper or postal ballot-papers; or
 (ii) witness the signature of any applicant to any such application in any place other than the ordinary residence or place of business of the authorized witness:

Provided that if any person desires to make application for a postal ballot-paper or postal ballot-papers, and is unable on account of ill health or infirmity to present himself before an authorized witness any member of the Police Force or other authorized witness when so requested by any such person in writing may visit such person for the purpose of witnessing his signature to such application.

Every authorized witness guilty of any of these offences is liable to a penalty of not more than One hundred pounds, or to imprisonment for a term of not more than three months.

—————
TWENTY-SIXTH SCHEDULE.

(Section 276.)

Postal Ballot-paper.

Ward of

(Before marking this ballot-paper exhibit it unmarked to an authorized witness and read carefully the Instructions to Voter printed hereon.)

Candidates' Names.

(a) Counterfoil—

Ward of

(b) No. of Application— Voter's Roll No.

(a) To be printed so that it shall be on the outside when the ballot-paper is folded, and so that it may be read and torn off without the names of candidates voted for being seen.

(b) To be filled in by the returning officer before posting.

I declare that I have not already posted a ballot-paper in respect of, or voted personally at the election in respect of which this vote is given.

Signature of voter—

Witness—

[Authorized witness to sign here and insert the title under which he acts as an authorized witness, his residence, and the date.]

Instructions to Voter.

(a) The voter shall exhibit his postal ballot-paper unmarked to an authorized witness.

(b) The voter shall in the presence of the authorized witness but so that the witness cannot see the vote—

(i) write the surnames of the candidates on the ballot-paper under the heading *Candidates' Names* (if such names are not already printed or written under that heading); and

(ii) place the figure 1 opposite the name of the candidate for whom the voter votes as his first preference and the figures 2, 3, 4 (and so on as the case requires) to indicate the order of the voter's preference for all the remaining candidates.

(c) If the candidates' names are not printed or written under the heading *Candidates' Names* when the ballot-paper is issued to the voter the voter shall if more candidates than one have the same surname also insert in the ballot-paper the christian or other names of such candidates, and if more candidates than one have the same surname and christian or other names the residences and occupations of such candidates.

(d) If the voter's sight is so impaired that he is unable to vote without assistance, the authorized witness, at the request of the voter, shall mark his vote on the ballot-paper, and shall (if the voter so desires) mark the same in the presence of another person, or shall (if the voter so desires) permit some other person appointed by the voter to mark the ballot-paper for him.

(e) The voter shall then re-fold the ballot-paper and fasten the same.

(f) The voter shall then sign his name in his own handwriting on the counterfoil in the place provided for the signature of the voter.

(g) The authorized witness shall then sign his name in his own handwriting in the place provided for the signature of the witness, and shall add the title under which he acts as an authorized witness, his residence, and the date.

(h) The voter shall then place the ballot-paper, with the counterfoil attached, into the envelope addressed to the returning officer, fasten the envelope in the presence of the authorized witness, and post it.

(i) This ballot-paper cannot be counted in the election unless it is received by the returning officer before the closing of the poll.

Instructions to Authorized Witness.

The authorized witness shall—

(a) see that the foregoing directions are substantially complied with;

(b) refrain from looking at the vote given by the voter except where the voter cannot vote without assistance and the voter requests his assistance;

(c) not disclose any knowledge officially acquired by him touching the vote of the voter save in answer to some question which he is legally bound to answer or in compliance with the express provisions of the law relating to elections of councillors for municipalities.

An authorized witness shall not—

(a) visit any voter for the purpose of witnessing the signature of such voter to his postal ballot-paper;

(b) witness the signature of any voter to his postal ballot-paper at any place other than the ordinary residence or place of business of the authorized witness; or

(c) witness the signature of any voter to his postal ballot-paper unless the authorized witness has satisfied himself as to the identity of the voter and has seen the voter sign the counterfoil in his own handwriting;

Provided that if any voter has received a postal ballot-paper and is unable on account of ill health or infirmity to present himself before an authorized witness, any member of the Police Force or other authorized witness, when so requested by any such voter in writing, may visit such voter for the purpose of witnessing his signature to such postal ballot-paper.

Every authorized witness guilty of a contravention of any of these instructions to authorized witnesses is liable to a penalty of not more than One hundred pounds, or to imprisonment, with or without hard labour, for a term of not more than three months.

—————
TWENTY-EIGHTH SCHEDULE.

(Section 276.)

As returning officer for the Ward of the I desire to inform you that after perusing your application for a postal ballot-paper I am not satisfied—

*that your application is properly signed; or

*that your application is properly witnessed; or

*that you are entitled to vote through the post at the forthcoming election of a councillor (or councillors) for Ward of the municipality of

Therefore, if you desire to vote at that election, you will have to attend personally at the polling booth and tender your vote.

Dated at this day of 19 .

*NOTE.—The returning officer will strike out any of these statements which is inapplicable to the particular case.

—————
TWENTY-NINTH SCHEDULE.

(Section 284.)

Declaration of Person Claiming to Vote at Polling Booth.

I, , residing at

do hereby declare that my name is included in the voters' roll for the Ward of the and that I have not received a postal ballot-paper entitling me to vote by post at the election of a councillor (or councillors) now being held in the said and that I desire to vote personally at such election.

Signed and declared at

Polling booth this day of

in the presence of—

Returning Officer or Deputy Returning Officer.

CAUTION.—Any person who wilfully makes and subscribes a declaration which is untrue or false in any particular is deemed to be guilty of wilful and corrupt perjury, and is punishable accordingly.

And the Honorable Patrick John Kennelly, His Majesty's Commissioner of Public Works for the State of Victoria, shall give the necessary directions herein accordingly.

C. W. KINSMAN,
 Clerk of the Executive Council.

LOCAL GOVERNMENT ACT 1946.

At the Executive Council Chamber, Melbourne, the eighth day of July, 1947.

PRESENT:

His Excellency the Governor of Victoria.
Mr. Galvin | Mr. Hayes.

PROVISIONS RELATING TO COMPULSORY VOTING.

HIS Excellency the Governor of the State of Victoria, by and with the advice of the Executive Council thereof, and pursuant to the petitions of the Councils of the Cities of Bendigo, Heidelberg, and Port Melbourne, doth by this Order, under the provisions of section 149 of the *Local Government Act 1946*, direct that the provisions of Division 20 of Part V. of *The Constitution Act Amendment Act 1928* applicable and severally hereinafter set out with alterations therein, such alterations being deemed necessary for the purpose of carrying into effect such provisions, shall apply to the election of councillors for the said municipalities, and doth hereby, in pursuance of the powers so conferred on him by the said section 149, prescribe the forms in the schedule hereto, which forms or forms to the like effect shall be used for the purpose of carrying into effect such provisions as so applied by this Order.

1. Every person whose name is inscribed upon the voters' roll shall record the number of votes set opposite his name on such roll at every election for a councillor for which he is entitled to vote.

2. The returning officer, at the close of the poll at every election, shall—

- (a) from every roll used at the election, and from the counterfoils of all postal ballot-papers received before the close of the poll at the election, indicate by a distinguishing mark on a fair copy of the roll used at the election (which copy is hereinafter referred to as the "marked roll") the names of the persons who have not recorded their votes at the election for which he is the returning officer;
- (b) certify the marked roll by statutory declaration under his hand in accordance with Form A. of the schedule hereto; and
- (c) forthwith forward such marked roll to the clerk of the municipality.

3. Within three months after the close of the poll at every election the clerk of the municipality—

- (a) shall send by post to each person whose name indicated as aforesaid appears on any such marked roll, at the address therein mentioned, a notice in accordance with Form B. of the schedule hereto, notifying him that he has failed to record his vote or votes (as the case may be) as required by these provisions at the election specified therein, and requiring him to state the true reason why he failed so to vote; and
- (b) before sending such notice, shall insert therein—
 - (i) the full name of the person as appearing on the roll, and his address as therein mentioned, and the names of the subdivisions (if any) in which he was entitled to vote but did not vote, and his number on the roll, or (as the case may be) his number on the roll of each such subdivision; and
 - (ii) a date (not being less than twenty-one days after the date of the posting of the notice) before or on which the form at the foot of the notice, duly filled up and signed by the person, is to be in the hands of the clerk of the municipality.

4. (1) Every person to whom such a notice has been sent shall—

- (a) fill up the Form C. at the foot of the notice by stating in it the true reason why he failed so to record his vote or votes (as the case may be);
- (b) sign the form; and
- (c) post or deliver the same so as to reach the clerk of the municipality not later than the date inserted in the notice.

(2) If the person is unable, by reason of absence from his residence or physical incapacity, to fill up, sign, and post or deliver the form within the time allowed pursuant to these provisions—

- (a) any other person over the age of twenty-one years, and who has personal knowledge of the facts, may fill up, sign, and post or deliver within that time the form, duly witnessed by another person over the age of twenty-one years; and
- (b) such filling up, signing, and delivery or posting of the form may be treated as compliance by the first-mentioned person with the provisions of this clause.

(3) Upon receipt within the time allowed, pursuant to these provisions, of any such form properly filled up and signed and witnessed (if so required) the clerk of the municipality shall—

- (a) make on the marked roll or rolls opposite the name of the person to whom the form refers a note to that effect; and
- (b) indicate in writing on the marked roll or rolls opposite the name of the person his opinion whether or not the reason contained in the form is a valid and sufficient reason for the failure of the person to record his vote or votes at the election.

(4) If in the case of any person to whom a notice as aforesaid has been sent such form is not received by the clerk of the municipality within the time allowed pursuant to these provisions, the clerk of the municipality shall make on the marked roll or rolls opposite the name of such person a note to that effect.

(5) Where the reply of any person states for his failure to record his vote or votes a reason which, in the opinion of the clerk of the municipality, is not a valid and sufficient reason for that failure, the clerk of the municipality shall notify such person in accordance with Form D. of the schedule hereto of his opinion, and inform him that he has the option of having the matter dealt with by the municipal council or by a Court of Petty Sessions. Before sending such notice, the clerk of the municipality shall insert therein a date (not being less than twenty-one days after the date of the posting of the notice (before or on which the form at the foot of the notice duly filled up and signed by the person and witnessed is, to be in the hands of the clerk of the municipality).

5. The marked roll or rolls indicating—

- (a) the names of persons who did not vote at the election;
- (b) the names of persons from whom or on whose behalf the clerk of the municipality received within the time allowed pursuant to these provisions forms properly filled up and signed;
- (c) the names of persons from whom or on whose behalf the clerk of the municipality did not within that time receive forms properly filled up and signed; and
- (d) the opinions of the clerk of the municipality, or a copy of any such marked roll, or any extract therefrom certified by the clerk of the municipality under his hand, shall in all proceedings be prima facie evidence of the contents of such marked roll or extract, and of the fact that the persons whose names appear therein marked as aforesaid did not vote at the election and that the notice specified in these provisions was received by those persons and that those persons did or did not (as the case may be) comply with the requisitions contained in the notice within the time allowed pursuant to these provisions.

6. Every person whose name is inscribed upon the voters' roll who—

- (a) fails to record his vote or votes (as the case may be) at any election for a councillor for which he is entitled to vote without a valid and sufficient excuse for such failure (in this clause the expression "valid and sufficient excuse" includes an honest belief on the part of the person that abstention from voting is part of his religious duty); or
- (b) on receipt of the notice in accordance with Form B. aforesaid, fails, neglects, or refuses to fill up and sign, and post or deliver to the clerk of the municipality so as to reach him within the time allowed pursuant to these provisions the form at the foot of the notice; or
- (c) states in such form a false reason for not having recorded his vote or votes, or in the case of a person filling up or purporting to fill up a form on behalf of any other person pursuant to these provisions states in such form a false reason why the other person did not vote—

shall for each such offence be liable to a penalty of not more than Two pounds, and proceedings for the enforcement of the penalty may be commenced within six months

after the date of the election by the council of the municipality or by some person authorized pursuant to the Local Government Acts.

Provided that—

- (a) any person to whom a notice under these provisions has been posted who desires the matter to be dealt with by the council of the municipality, and is prepared to abide by the decision of the council, may notify the clerk of the municipality in accordance with Form E. of the Schedule hereto;
 - (b) in any such case the council may make an order in accordance with Form F., requiring the person to pay a sum not being more than Ten shillings; and
 - (c) if the said sum is not paid within fourteen days after the date of the order, the clerk of the municipality may forward to the clerk of a Court of Petty Sessions a certificate under his hand in accordance with Form G. of the Schedule hereto, setting out the substance of the order, and stating that the said sum has not been paid; and thereupon payment of the said sum shall be enforceable in the same manner as if the said sum—
 - (i) were a fine adjusted by such Court of Petty Sessions to be paid which the Act of Parliament under which such fine is imposed provides no means of enforcing; and
 - (ii) were ascertained by a conviction.
7. For the purposes of these provisions the returning officer at any election—
- (a) with the assistance of such of the deputy returning officers and poll clerks as he deems necessary shall in the presence of such deputy returning officers and poll clerks, but of no other person, open and, if necessary, break the seal of any parcel containing the rolls used at the election and examine the same for the purpose of indicating on the marked roll aforesaid the names of the persons who have not voted at the election; and
 - (b) at the conclusion of the said examination and marking shall replace such rolls in the parcels from which they were taken and re-seal the same and then comply with the provisions of section One hundred and forty-five of the *Local Government Act 1946*.

SCHEDULE.

FORM A.
Compulsory Voting.

City of _____ of _____ in the State of Victoria, do solemnly and sincerely declare—

1. That I am the Returning Officer for the _____ Ward of the City of _____ at the election for councillors held on the _____ day of _____ 19 _____.

*2. That now produced and shown to me and marked "A" is a fair copy—

*2. That the within fair copy—
of the roll for the above-mentioned Ward, with distinguishing marks indicating the names of persons who have not recorded their votes at the election held on _____ the _____ was prepared by me† pursuant to clause 2 of provisions relating to compulsory voting applied to the election of councillors for the municipality.

And I make this solemn declaration conscientiously believing the same to be true, and by virtue of the provisions of an Act of Parliament of Victoria rendering persons making a false declaration punishable for wilful and corrupt perjury.

Returning Officer for the _____ Ward
of the City of _____
Declared before me, at _____ in the State aforesaid,
the _____ day of _____ 19 _____
Justice of the Peace.

* If the declaration is endorsed on the fair copy of the roll, use the words "That the within fair copy, &c." If the declaration is not so endorsed, use the words "That now produced, &c."

† Clause 7 of the provisions relating to compulsory voting applied to the election of councillors for the municipality provides that the Returning Officer may employ the

assistance of Deputy Returning Officers and Poll Clerks to examine rolls for the purpose of indicating on the marked roll the names of the persons who have not voted at the election.

FORM B.

Compulsory Voting.

City of _____
Subdivisions in which person did not vote
Nos. on rolls

*To
You are notified that an inspection of the rolls used at the election held on _____ the _____ day of _____ 19 _____, shows that you failed as shown above to vote at that election, and you are hereby required to give the true reason why you failed so to vote.

You are therefore requested to—

- (a) fill in the particulars at the foot of this notice—
 - (i) by stating the true reason why you failed so to vote, or
 - (ii) by inserting a true statement concerning your alleged failure to vote;
- (b) complete and personally sign the form and have it witnessed by some other person over the age of twenty-one years; and
- (c) fold the form so that the address of the municipal office shall be visible, and post or deliver it so as to reach me on or before the

Municipal Clerk,
Address, _____
Date _____ 19 _____

NOTE.—If the person to whom this notice is addressed is unable by reason of absence from his residence or physical incapacity to fill up, sign, and post or deliver the form at the foot hereof within the time specified above, any other person over the age of twenty-one years and who has personal knowledge of the facts may fill up, sign, and post the form, duly witnessed, within that time, and the filling up, signing, and posting of the form will be treated as compliance by the first-mentioned person with the requirements of this notice.

Every person whose name is inscribed upon the voters' roll who—

- (a) fails to record his vote or votes at any election for a councillor for which he is entitled to vote without a valid and sufficient excuse for such failure; or
- (b) on receipt of a notice in accordance with the Provisions Relating to Compulsory Voting, fails, neglects, or refuses to fill up, sign, and post or deliver to the clerk of the municipality so as to reach him within the time specified in the notice the form (duly witnessed) attached thereto; or
- (c) states in such form a false reason for not having recorded his vote or votes, or in the case of a person filling up or purporting to fill up a form on behalf of any other person, states in such form a false reason why the other person did not vote—

is guilty of an offence and liable to a penalty not exceeding Two pounds.

* Here insert the full name of the person as appearing on the roll and his address as therein mentioned.

† Not being less than twenty-one days after the posting of this notice.

FORM C.

Statement to be Completed and Returned to the Municipal Clerk.

I, _____ do hereby state:—
That the following is the true reason why I,*
failed to vote as required by the Provisions Relating to Compulsory Voting at the election on _____ the _____ day of _____ 19 _____ :—

Or—
That in regard to my alleged failure to vote on _____ the _____ day of _____ 19 _____, the following is a true statement:—

†
Personal Signature.

I, the undersigned, being a person over the age of twenty-one years, certify that I have seen the above-named person sign the above statement.

Signature of Witness (In own handwriting.)
Occupation
Address
Date

(Not to be detached.)

*Where this form is filled up on behalf of an absent or physically incapacitated person, the word "I" must be struck out and the name of such person inserted.

† Here set out briefly the true reason for having failed to vote, or a true statement concerning the alleged failure to vote.

(Back of Forms B and C.)

The Municipal Clerk,

FORM D.

Compulsory Voting.

City of
Subdivisions in which person did not vote
Nos. on rolls.

Notification to Person whose Reason for Failing to Vote is held not to be a Valid and Sufficient Excuse.

*To

You are hereby notified—

- (1) that the reason given by you in your statement dated the 19 is not, in my opinion, a valid and sufficient excuse for your failure to record your votes at the election held on the day of 19 ; and
(2) that you have the option of having the matter dealt with by the municipal council (thus avoiding costs of court) or by a Court of Petty Sessions.

If you desire to have the matter dealt with by the municipal council, you must fill in and sign, in the presence of a witness, the form of consent at the foot hereof and send or deliver it to me so as to reach me not later than the

In the event of the form not reaching me on or before the date set out in the preceding paragraph, it will be taken that you desire to have the matter dealt with by a Court of Petty Sessions.

Address Municipal Clerk.
Date 19

* Here insert the full name of the person as appearing on the roll and his address.

† Not being less than twenty-one days after the posting of this notice.

FORM E.

Form of Consent to be used by a Person who Desires to have his Case dealt with by the Municipal Council.

I, of enrolled on the voters' roll for the above-named subdivisions, having failed to record my vote(s) at the election held on the day of 19, and having been notified by you that the reason given by me for such failure to record my vote(s) is not, in your opinion, a valid and sufficient excuse for such failure, do hereby notify you that I consent to have the matter dealt with by the municipal council and to abide by its decision.

Personal Signature.

I, the undersigned, being a person over the age of twenty-one years, certify that I have seen the above-named person sign the above form.

Signature of Witness (In own handwriting.)
Occupation
Address
Date 19

(Not to be detached.)

(Back of Forms D. and E.)

The Municipal Clerk,

FORM F.

Compulsory Voting.

City of
Subdivisions in which persons did not vote
Nos. on roll

Order Requiring a Person to Pay a Sum for Failure to Vote.

To

You are notified that, pursuant to your notification of consent, dated the day of the municipal council has dealt with the matter of your failure to record your votes* for the above-mentioned subdivisions of the municipality.

The municipal council makes this order requiring you to pay to the municipal clerk at the address hereunder the sum of shillings.†

Councillor.

Councillor.

Municipal Clerk.

(SEAL)

Address of Municipal Clerk,

Date

* If only one vote, make the necessary alteration.

† If the said sum is not paid within fourteen days after the date of this order, the matter will be referred to a Clerk of a Court of Petty Sessions for the enforcement of this order.

FORM G.

Compulsory Voting.

City of

Memorandum—

To the Clerk of Petty Sessions at

In accordance with the provisions of section 336 of The Constitution Act Amendment Act, made applicable under the powers contained in section 149 of the Local Government Act 1946, with such alterations therein as were deemed necessary, to elections of councillors for the municipality of by an order of the Governor in Council made the day of 19, I hereby certify that the schedule hereto contains a list of the names and enrolment particulars of persons against whom the council of the municipality has made an order, pursuant to the said provisions, for the payment of the sums respectively specified.

As the said sums have not been paid within fourteen days after the date of the order in each case, I have to request that steps be taken to enforce payment.

I shall be pleased if you will state on the schedule whether or not the payment has been enforced and return it to me.

Given under my hand this day of 19
Municipal Clerk.

Schedule.

City of
Year of print of roll—

Table with 7 columns: Number on Roll, Ward, Surname, Christian or other Name or Names, Residence, Sum which Elector has been ordered to Pay, Date of Order.

Municipal Clerk.
Date,

And the Honorable Patrick John Kennelly, His Majesty's Commissioner of Public Works for the State of Victoria, shall give the necessary directions herein accordingly.

C. W. KINSMAN,
Clerk of the Executive Council.

COUNTRY ROADS BOARD.

At the Executive Council Chamber, Melbourne, the first day of July, 1947.

PRESENT:

His Excellency the Governor of Victoria.
Mr. Hayes | Mr. Fraser.

ORDER APPROVING OF A DEVIATION FROM A MAIN ROAD IN THE SHIRE OF BELLARINE.

WHEREAS the Country Roads Board constituted under the *Country Roads Act 1928* (No. 3662) has represented to His Excellency the Governor in Council that it appears to it desirable that the deviation hereinafter referred to from the existing Wallington-Ocean Grove road in the Shire of Bellarine (declared to be a Main Road under the said Act which declaration was confirmed by the Order in Council published in the *Government Gazette* of the 5th March, 1941, on page 1027) should be made by the said Board: And whereas the said Board in accordance with the requirements of section 19 of the said cited Acts has caused to be prepared a map plan and estimate showing the points between which and on and through what land the said deviation is proposed to be made and the cost of acquiring the land and constructing the said deviation: And whereas on an inspection of the said map and plan and a consideration of the said estimate His Excellency the Governor in Council is satisfied that there are funds legally available for acquiring the land and constructing the said deviation: Now therefore be it known by this present Order that His Excellency the Governor of the State of Victoria with the advice of the Executive Council thereof doth hereby approve of the said road being made, that is to say:—

All that piece of land in the Parish of Bellarine the boundaries of which are as follows:—Commencing at a point on the western boundary of Crown portion 17, Block 4, of the said Parish, distant 179 deg. 56 min. 663.8 links from the north-western angle of the said Crown portion; thence by lines bearing respectively 164 deg. 13 min. 433.5 links, 138 deg. 40 min. 692 links, 114 deg. 31 min. 995 links, 136 deg. 30 min. 690.4 links, 180 deg. 8 min. 550 links, 345 deg. 59 min. 476.7 links, 318 deg. 12 min. 713.5 links, 294 deg. 31 min. 994.3 links, 318 deg. 40 min. 693 links, and 359 deg. 56 min. 473.1 links to the point of commencement—which said piece of land is particularly delineated and shown coloured red on survey plan No. 4842, lodged in the office of the Country Roads Board.

And the Honorable Patrick John Kennelly, His Majesty's Commissioner of Public Works for the State of Victoria, shall give the necessary directions herein accordingly.

C. W. KINSMAN,
Clerk of the Executive Council.

APPROACHING LAND SALES.

SALES of Crown lands, in fee-simple, will be held at the under-mentioned places and dates, viz.:—

	No. of Gazette
Red Cliffs.—Thursday, 10th July, 1947 Lands and Survey Office, Melbourne.	270

PROPOSED REVOCATION OF TEMPORARY RESERVATION OF LAND BY ORDER IN COUNCIL.

IN pursuance of the provisions of the *Land Act 1928*, notice is hereby given that it is the intention of the Governor in Council to revoke the temporary reservation of land by Order in Council hereunder referred to, viz.:—

The following Notice was published 1° on the 18th June, 1947, pursuant to Order of the 10th June, 1947.

BALLAARAT.—The Order in Council of the 17th April, 1871, temporarily reserving as a site for a Wesleyan Place of Public Worship 3 roods and 22 perches of land in the Parish of Ballaarat, being allotment 12A of section Q, is about to be revoked.—(B.126⁽¹⁾) (C.90411).

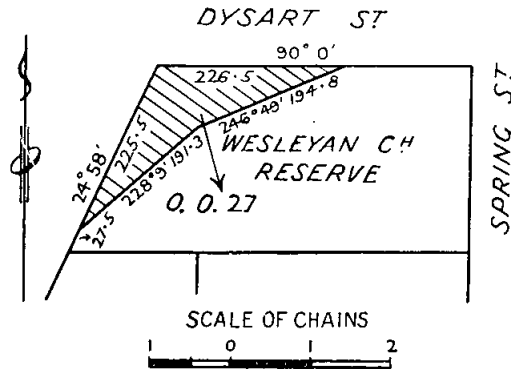
L. W. GALVIN,
Commissioner of Crown Lands and Survey.

PROPOSED REVOCATION OF TEMPORARY RESERVATION OF LAND BY ORDER IN COUNCIL.

IN pursuance of the provisions of the *Land Act 1928*, notice is hereby given that it is the intention of the Governor in Council to revoke the temporary reservation of land by Order in Council hereunder referred to, viz.:—

The following Notice was published 1° on the 25th June, 1947, pursuant to Order of the 17th June, 1947.

GLENLYON.—The Order in Council of the 5th August, 1867, temporarily reserving 1 acre of land in the Town of Glenlyon as a site for Wesleyan Church purposes, is about to be revoked, so far only as regards the portion containing 27 perches, as indicated by hachure on plan hereunder.—(G.83⁽²⁾) (C.70110).



L. W. GALVIN,
Commissioner of Crown Lands and Survey.

PROPOSED REVOCATION OF TEMPORARY RESERVATIONS OF LANDS BY ORDERS IN COUNCIL.

IN pursuance of the provisions of the *Land Act 1928*, notice is hereby given that it is the intention of the Governor in Council to revoke the temporary reservations of lands by Orders in Council hereunder referred to, viz.:—

The following Notices were published 1° on the 2nd July, 1947, pursuant to Orders of the 24th June, 1947.

MILDURA (KOORLONG).—The Order in Council of the 15th June, 1915, temporarily reserving as a site for Public purposes 4 acres 0 roods 5 7/10 perches of land in the Parish of Mildura (Koorlong), revoked as to part by Order of the 16th July, 1918, is about to be further revoked so far as regards the balance thereof containing 3 acres 0 roods 2 7/10 perches.—(M.556⁽⁹⁾) (Rs.5531).

WILLIAMSTOWN.—The Order in Council of the 2nd December, 1912, temporarily reserving 4 acres 1 rood 38 5/10 perches of land as a site for a Park and Garden in the Town of Williamstown, being allotment 28 of section 2, Parish of Cut-paw-paw, is about to be revoked.—(C.345⁽¹⁴⁾) (Rs.18).

L. W. GALVIN,
Commissioner of Crown Lands and Survey.

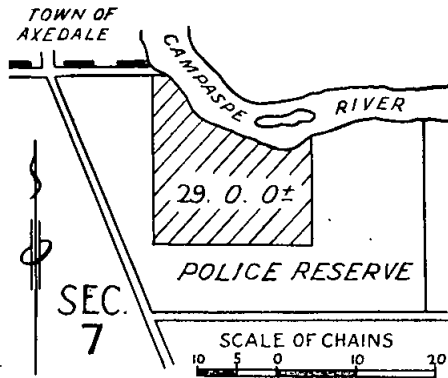
PROPOSED REVOCATIONS OF TEMPORARY RESERVATIONS OF LANDS BY ORDERS IN COUNCIL.

IN pursuance of the provisions of the *Land Act 1928*, notice is hereby given that it is the intention of the Governor in Council to revoke the temporary reservations of lands by Orders in Council hereunder referred to, viz.:—

The following Notices were published 1° on the 9th July, 1947, pursuant to Orders of the 1st July, 1947.

AXEDALE.—The Order in Council of the 26th February, 1872, temporarily reserving as a site for Police Paddock purposes 99 acres 3 roods of land, being allotments 12, 13, and 14 of section 7 in the Parish of Axedale, is about

to be revoked so far only as regards the portion containing 29 acres, more or less, as indicated by hachure on plan hereunder.—(A.98^(a)) (Rs.2043).



DRUMDLEMARA.—The Order in Council of the 8th January, 1902, temporarily reserving as a site for the Supply of Gravel 3 acres 0 roods 24 perches of land, being part of allotment 83 in the Parish of Drumdlemara, is about to be revoked.—(D.197^(a)) (C.90616).

ORBOST.—The Order in Council of the 9th July, 1883, temporarily reserving as a site for a Quarry and withholding from sale, leasing, and licensing, 3 acres of land in the Parish of Orbost, at Orbost, is about to be revoked.—(O.23^(a)) (Rs.1521).

COMMONS ABOUT TO BE ABOLISHED.

IN pursuance of the provisions contained in the Land Act 1928, notice is hereby given that it is the intention of the Governor in Council to abolish the commons hereinafter mentioned, viz.:—

The following Notices were published 1° on 9th July, 1947, pursuant to Orders of 1st July, 1947.

The Beveridge Town Common, proclaimed as such by Orders in Council of the 18th February, 1861 (see Gazette 1861, page 410), and the 16th December, 1862, is about to be abolished.—(C.90777.)

The Goorambat Agricultural Area Farmers' Common, proclaimed as such by Orders in Council of the 1st February, 1870, and the 9th June, 1873, is about to be abolished.—(C.90804.)

The Greensborough Farmers' Common, proclaimed as such by Order in Council of the 18th February, 1861 (see Gazette 1861, page 380), is about to be abolished.—(C.90775.)

The Yulecart and Audley Farmers' Common, proclaimed as such by Order in Council of the 10th March, 1862, is about to be abolished.—(C.90797.)

L. W. GALVIN,
Commissioner of Crown Lands and Survey.

COMMONS ABOUT TO BE ABOLISHED.

IN pursuance of the provisions contained in the Land Act 1928, notice is hereby given that it is the intention of the Governor in Council to abolish the commons hereinafter mentioned, viz.:—

The following Notices were published 1° on the 18th June, 1947, pursuant to Orders of the 11th June, 1947.

The Healesville Town Common, proclaimed as such by Orders in Council of the 5th March, 1866, and the 11th November, 1868, is about to be abolished.—(C.90679.)

The Darraweit Guim Town Common, proclaimed as such by Order in Council of the 20th August, 1866, is about to be abolished.—(C.90734.)

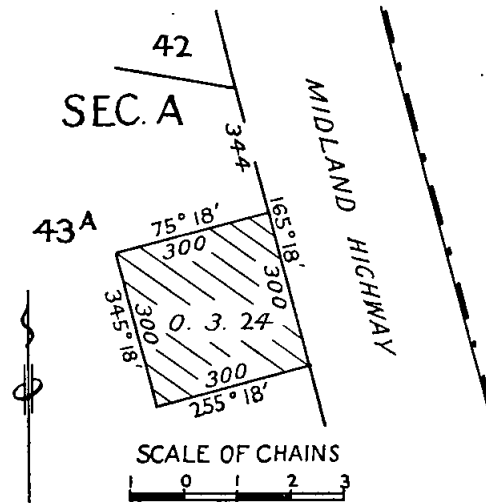
L. W. GALVIN,
Commissioner of Crown Lands and Survey.

LAND PROPOSED TO BE PERMANENTLY RESERVED.

IN pursuance of the provisions of the Land Act 1928, notice is hereby given that it is the intention of the Governor in Council to permanently reserve as a site for a Public Hall, and except from occupation under any miner's right, the land hereunder described, viz.:—

The following Notice was published 1° on the 9th July, 1947, pursuant to Order of the 1st July, 1947.

LIMA (SWANPOOL).—Land to be permanently reserved as a site for a Public Hall—3 roods 24 perches, Parish of Lima, County of Delatite, as indicated by hachure on plan hereunder.—(L.153^(a)) (Rs.5985).



L. W. GALVIN,
Commissioner of Crown Lands and Survey.

Land Act 1928.

COMMONS ABOUT TO BE ABOLISHED.

IN pursuance of the provisions contained in the Land Act 1928 (No. 3709), notice is hereby given that it is the intention of the Governor in Council to abolish the commons hereinafter mentioned, viz.:—

The following Notices were gazetted 1° on 2nd July, 1947, pursuant to Orders of the 24th June, 1947.

The Warrandyte Farmers' Common, proclaimed as such by Order in Council of the 18th February, 1861 (see Gazette 1861, page 380), is about to be abolished.—(C.90776.)

The Dandenong Town Common, proclaimed as such by Orders in Council of the 18th February, 1861 (see Gazette 1861, page 411), and the 15th June, 1863, is about to be revoked.—(C.90752.)

The Flinders Farmers' Common, proclaimed as such by Order in Council of the 22nd April, 1861, is about to be abolished.—(C.90732.)

L. W. GALVIN,
Commissioner of Crown Lands and Survey.

PUBLIC HEARING BY A PERSON APPOINTED UNDER THE 34TH SECTION OF THE LAND ACT 1928.

NOTICE is hereby given that at the times and places mentioned in the schedule hereunder, applications for leases and licences under the Land Acts, objections to such applications, objections to proposed proclamations, alterations, additions, diminutions, revocations, or unions of commons, and reasons against forfeiture of any leases or licences under the Land Acts deemed liable to forfeiture, will be publicly heard by the person whose name is set opposite such place respectively in such schedule, being a person appointed by me, the responsible Minister of the Crown administering the Land Acts, to hear the same and report thereon in writing to me.

L. W. GALVIN,
Commissioner of Crown Lands and Survey, and
President of the Board of Land and Works.
Department of Lands and Survey,
Melbourne, 7th July, 1947.

SCHEDULE.

LAND INSPECTOR'S OFFICE, DONALD, Wednesday, 23rd July, 1947, at half-past One p.m., H. H. Dodd.

COMMITTEES OF MANAGEMENT OF RESERVES.

APPOINTMENTS.

WHEREAS by section 184 of the *Land Act 1928* it is provided that it shall be lawful for the Governor in Council or the Board of Land and Works to appoint and remove any number of persons, not less than three, or any municipal council, or the governing body of any corporation, to be a Committee of Management of any specified Crown land reserved either temporarily or permanently for any of the purposes set out in section 14 of the *Land Act 1928*, and not conveyed to or vested in trustees: Now therefore the Board of Land and Works doth hereby appoint the under-mentioned persons to be members of the Committee of Management of the Reserves named:—

"ROCHESTER RUBBISH DEPOT RESERVE."

The Council of the Shire of Rochester as a Committee of Management of the land temporarily reserved by Order in Council dated the 20th May, 1947, as a site for a Rubbish Depot in the Township of Rochester, Parish of Rochester West, and known as the "Rochester Rubbish Depot."—(Corres. Rs.5963.)

"DOBIE PUBLIC HALL RESERVE."

The Council of the Shire of Ararat as a Committee of Management of an area of 2 roods temporarily reserved by Order in Council dated 7th September, 1903, as a site for a Public Hall in the Parish of Langi Ghiran, and known as the "Dobie Public Hall."—(Corres. Rs.5797.)

RESERVE FOR RECREATION PURPOSES AT BALLARAT EAST.

The Council of the City of Ballarat as a Committee of Management of an area of 5 acres 2 roods 5 perches temporarily reserved as a site for Recreation purposes in the City and Parish of Ballarat, at Ballarat East.—(Corres. Rs.2804.)

"WARRION RECREATION RESERVE."

Gordon Barton Cumming, Stuart Campbell McIntosh, Edison William Chant, Allan McKenzie, and Andrew Wilson Wylie as a Committee of Management for a period of three (3) years from 28th June, 1947, of the land temporarily reserved by Order in Council dated the 11th February, 1913, as a site for Public Recreation in the Parish of Warrion, and known as the "Warrion Recreation Reserve."—(Corres. Rs.1978.)

"LEITCHVILLE RECREATION RESERVE."

Alan Opie, Herbert S. Behrens, Lewis A. Hawken, Donald W. Caughey, Francis J. Hutchinson, Talbot J. Noble, and George A. Hawken as a Committee of Management for a period of three (3) years from the 6th June, 1947, of the land temporarily reserved by Orders in Council dated the 4th July, 1938, and 1st November, 1943, as sites for Public Recreation in the Parish of Gunbower West, and known as the "Leitchville Recreation Reserve."—(Corres. Rs.3361.)

"YEA RACECOURSE AND PUBLIC RECREATION RESERVE."

John Anderson Tosh, William Anderson Purcell, Douglas R. Morgan, Frank V. Slevin, and Vernon Neville Sheahan as a Committee of Management for a period of three (3) years of the land temporarily reserved by Order in Council dated the 7th September, 1903, as a site for a Racecourse and other purposes of Public Recreation in the Parish of Yea, and known as the "Yea Racecourse and Public Recreation Reserve."—(Corres. Rs.410.)

"NUG NUG PICNIC AND SWIMMING POOL RESERVE."

Anthony Mongan, William James McGuffie, John Pascoe Mitchell, William Alexander Moore, William Masterton, George Marks, John Smith, James Mitchell, John Edward Sanderson, Walter Mitchell, Colin Innes Fletcher, and Austin Hodgkinson as a Committee of Management for a period of three (3) years of the land temporarily reserved by Orders in Council dated 29th April, 1908, and 8th October, 1940, as sites for Public Recreation in the Parish of Eurandelong, together with portion of the permanent reservation along the Buffalo River, all of which are shown in red and blue colours on plan marked E/2.12.1940 attached to Lands Department Correspondence file Rs.5107, and known as the "Nug Nug Picnic and Swimming Pool Reserve."—(Corres. Rs.5107.)

"WERRIBEE RACECOURSE AND RECREATION RESERVE."

Maurice Rushford, David Henry Macknamara, James Denis Canny, and John Edward O'Toole (as representatives of the Werribee Racing Club), and James Herbert

Wood, Thomas Beasley, Denis Phelan, and Joseph Lawrence Callanan as a Committee of Management for a period of three (3) years from the 9th June, 1947, of the land temporarily reserved by Order in Council dated the 22nd April, 1861, as a site for a Racecourse and General Recreation purposes in the Township of Wyndham (now Werribee), and known as the "Werribee Racecourse and Recreation Reserve."—(Corres. Rs.925.)

"STRATH CREEK PUBLIC HALL RESERVE."

Robert L. Rowan, Albert P. Lee, Frank Keays, junior, Kevin Michael Fitzgerald, Gerald John Tehan, Sydney Mons Richards, and John Horan as a Committee of Management for a period of three (3) years from 19th July, 1947, of the lands temporarily reserved by Orders in Council dated the 8th November, 1905, and 30th June, 1913, as a site for a Mechanics' Institute in the Township of Strath Creek, and known as "Strath Creek Public Hall Reserve."—(Corres. Rs.2843.)

"TRAFALGAR RECREATION RESERVE."

Michael Francis Roche, Albert James Webb, and Bert Kinman as members of the Committee of Management for the period ending 6th June, 1940, of the land temporarily reserved by Order in Council of 15th September, 1890, as a site for Public Recreation in the Parish of Yarragon, and known as the "Trafalgar Recreation Reserve," in place of Roger Joseph Harkin and Percy Ivon Mitford Watson, both of whom have left the district, and John Conway, resigned.—(Corres. Rs.671.)

"WARRANTYTE RECREATION RESERVE."

John Blair Hutchinson, William Norman, John James Moore, James William Walsh, Edward Frederick Hemsworth, William Henry McCulloch, and Charles Richard Hemsworth as a Committee of Management for a period of three (3) years from 20th June, 1947, of the land temporarily reserved for Recreative purposes at Anderson's Creek, now Warrandyte, a Reserve for Public Recreation in the Parish and Town of Warrandyte and portion of a Reserve for Public purposes in the Town of Warrandyte, together known as the "Warrandyte Recreation Reserve."—(Corres. Rs.653.)

"BOORT PLANTATION PURPOSES RESERVE."

The Council of the Shire of Gordon as a Committee of Management of the land temporarily reserved by Order in Council dated the 27th May, 1947, as a site for Plantation purposes in the Township of Boort, Parish of Boort, and known as "Boort Plantation Reserve."—(Corres. Rs.5965.)

"KINGLAKE RECREATION RESERVE."

James Peter McMahon as a member of the Committee of Management for the period ending 11th April, 1949, in the place of Arthur Orchard, resigned, of the land temporarily reserved by Order in Council dated 16th August, 1910, as a site for Public Recreation in the Parish of Kinglake, and known as the "Kinglake Recreation Reserve."—(Corres. Rs.4814.)

"FISHER RESERVE" AT FOSTER BEACH.

Charles Reginald White, Douglas Mitchell Davis, William Nelson Lennox, Robert Walker, Samuel Peter Munro, Laurence Douglas Best, and Fred Fisher as a Committee of Management for a period of three (3) years from the 29th May, 1947, of the lands in the Parish of Wonga Wonga South at Foster Beach temporarily reserved by Order in Council dated 20th January, 1914, as a site for Public purposes, and by Order in Council dated 11th October, 1943, as a site for Public Recreation respectively, which are known as the "Fisher Reserve."—(Corres. Rs.5330, Rs.5454.)

"HODDLE'S CREEK RECREATION RESERVE."

Joseph Whitehair, Arthur Willis, Sidney Ernest Lacey, Charles Mathers, and Richard Taylor as a Committee of Management for a period of three (3) years from 16th June, 1947, of the land permanently reserved by Order in Council dated the 6th February, 1929, as a site for Public Recreation in the Parish of Woori-Yallock, and known as the "Hoddle's Creek Recreation Reserve."—(Corres. Rs.3796.)

"BUSHFIELD RECREATION RESERVE."

Albert Gall, John Wilson, Leonard McKenna, Fred McGrath, Benjamin Brodie, John Dwyer, and Albert Trigg as a Committee of Management for a period of three (3) years from 16th June, 1947, of the land temporarily reserved by Order in Council dated the 12th

February, 1877, as a site for Recreation in the Parish of Wangoom, and known as "Bushfield Recreation Reserve."
—(Corres. Rs.2164.)

This appointment is in lieu of all previous appointments, which are hereby revoked.

"HAMILTON CRICKET AND RECREATION RESERVE."

Percy Byron Houghton, John Thomas Anderson, Donald Alexander Douglas, John William Henry, Herbert Edward Rippon, and Walter Cooper as a Committee of Management for a period of three (3) years from 2nd June, 1947, of the Reserve for Cricket and Recreation purposes in the Town of Hamilton, and known as the "Hamilton Cricket and Recreation Reserve."—(Corres. Rs.951.)

"MARROOING PUBLIC HALL RESERVE."

William Alford, Richard John Trew, Harold Harley MacKay, James Augustus Churchill, and Michael George Kivlighan as a Committee of Management for a period of three (3) years from the 16th December, 1946, of the land temporarily reserved by Order in Council dated the 2nd July, 1923, as a site for a Public Hall in the Township of Marrooing, and known as the "Marrooing Public Hall Reserve."—(Corres. Rs.2773.)

"GUNBOWER RACECOURSE AND RECREATION RESERVE."

Matthew Pollock, Thomas Perkins, Richard William Wharton, and John James Brereton as a Committee of Management for a period of three (3) years from 5th July, 1947, of the land temporarily reserved by Order in Council dated the 30th January, 1894, as a site for a Racecourse and other purposes of Public Recreation in the Parish of Patho, and known as the "Gunbower Racecourse and Recreation Reserve."—(Corres. Rs.4829.)

"GORAE WEST RESERVE."

John Nicol Black, Roy Hutchinson, Leslie George Beaglehole, Frederick William Porter, and James Henry Smith as a Committee of Management for a period of three (3) years from 29th April, 1947, of the land temporarily reserved by Order in Council dated 30th January, 1940, as a site for Public purposes in the Parish of Mouzie, and known as the "Gorae West Reserve."—(Corres. Rs.5011.)

"WOODVALE (SYDNEY FLAT) RECREATION RESERVE."

Matthew Charles Jobe, Roy Daly, Thomas Joseph Hughes, James Preston Evans, Malcolm Hamilton Gordon, Thomas A. Rothacker, and Austin Phillip Daly as a Committee of Management for a period of three (3) years from the 20th June, 1947, of the land temporarily reserved by Order in Council dated the 26th May, 1902, as a site for Cricket and Public Recreation in the Parish of Nerring, and known as the "Woodvale (Sydney Flat) Recreation Reserve."—(Corres. Rs.4813.)

"WARRACKNABEAL RACECOURSE AND RECREATION RESERVE."

Corrie Spencer Rodda, Luke Stanislaus O'Callaghan, Stewart Muir, Alexander Roderick McKenzie, John William Cameron, Roy Reaper, Leslie John Gove, and Herbert Hector Bouchier as a Committee of Management for a period of three (3) years from 19th July, 1947, of the remaining portion of the land reserved as a site for Racecourse and other purposes of Public Recreation in the Town of Warracknabeal, and known as the "Warracknabeal Racecourse and Recreation Reserve."—(Corres. Rs.916.)

"BAMBRA RECREATION RESERVE."

Thelma Drayton, Lindsay Dorman, Cecil Drayton, William W. Thomas, and Henry W. Hopkins as a Committee of Management for a period of three (3) years of the land temporarily reserved by Order in Council of 15th April, 1947, as a site for Recreation purposes in the Parish of Yan Yan Gurt, and known as the "Bambra Recreation Reserve."—(Corres. Rs.5944.)

"LETHBRIDGE HALL AND FREE LIBRARY RESERVE."

Claude Vivian Macdonald, William Broom, Patrick James Scanlon, George Broom, Hayden Hedley Colwell, and William McGillivray as a Committee of Management for a period of three (3) years from 13th June, 1947, of the land temporarily reserved by Order in Council dated 7th December, 1891, as a site for a Public Hall and Free Library at Lethbridge, and known as the "Lethbridge Public Hall and Free Library Reserve."—(Corres. Rs.715.)

In witness whereof the common seal of the Board of Land and Works was hereunto affixed, this second day of July, One thousand nine hundred and forty-seven, in the presence of—

(SEAL) L. W. GALVIN, President.
W. MCILROY, Member.

Land Act 1928.

LEASES UNDER THE LAND ACTS 1915 AND 1928 DECLARED VOID.

NOTICE is hereby given that the Leases mentioned in the Schedule hereunder have been declared void by the Governor in Council for the reason specified in each case.

District.	Corr. No.	Name of Lessee.	Section of Land Act under which Leased.	Parish.	Allotment.	Area.	Class.	Reasons for Voiding.
Omeo ..	73/44.81	Maurice Lindsey Rowe	44.81	Bingo Munjio	28A, 28B, sec. 1	A. R. P. 181 2 19	3rd	Lessee's request
Melbourne ..	1793/44.81	Rupert Davis ..	44.81	Darnum ..	30A	36 0 23	2nd	Non-compliance with covenants
Melbourne ..	0545/125	The Eagle and Globe Steel Coy. Ltd.	125	Melbourne South	Pt., 21, sec. D	0 1 4 ⁵ / ₁₀	..	Expired—new lease to issue

Department of Lands and Survey,
Melbourne, 1st July, 1947.

L. W. GALVIN,
Commissioner of Crown Lands and Survey.

THE CLOSER SETTLEMENT ACTS.

NOTICE is hereby given that the surrender as to part of the Lease mentioned in the Schedule hereunder has been accepted by the Board of Land and Works.

LEASES UNDER THE CLOSER SETTLEMENT ACTS.

Corr.	District.	Lessee.	Allotment.	Section.	Parish.	Area.	Remarks.
405/12	Hamilton	Hodgetts, J. N. ..	11	23	Konong Wootong	A. R. P. 178 0 0	New lease to issue for amended area

26th, June, 1947.

W. McILROY,
Secretary for Lands.

TENDERS.

TENDERS will be received at this office until **TEN A.M.** on the days and for the purposes under mentioned.

Particulars may be learnt at this office, and also at the offices named in each instance.

The Board of Land and Works will not necessarily accept the lowest or any tender.

15th July, 1947.

Addington.—Additions, &c., and renovations to residence, State School No. 226. Particulars at Inspector of Works Office, Ballarat; State School, Addington. Preliminary deposit, £5. Final deposit, 2 per cent.

Alexandra.—Repairs, &c., to residence, State School No. 912. Particulars at Inspector of Works Office, Benalla; Police Stations, Euroa, Seymour; State School, Alexandra. Deposit, £4.

Bayles.—Erection and completion of teacher's residence, State School No. 4374. Particulars at State School, Bayles. Preliminary deposit, £15. Final deposit, 2 per cent.

Beechworth.—Alterations to main kitchen, provision of new butcher's shop and refrigeration room, Mental Hospital. Particulars at Inspectors of Works Offices, Benalla, Wangaratta; Mental Hospital, Beechworth. Preliminary deposit, £15. Final deposit, 2 per cent.

Benalla East.—Repairs and external painting, State School No. 2256. Particulars at Inspectors of Works Offices, Benalla, Wangaratta; State School, Benalla East. Preliminary deposit, £4. Final deposit, 2 per cent.

Blakeville.—Repairs, &c., and painting, State School No. 1247. Particulars at Inspector of Works Office, Ballarat; Police Station, Bacchus Marsh; State School, Blakeville. Deposit, £4.

Brighton Beach.—Provision of new partitions and screens, State School No. 2048. Particulars at State School, Brighton Beach. Deposit, £5.

Cameron's Estate.—Erection of two (2) timber residences, Soldier Settlement Commission. Particulars at Police Stations, Castlemaine, Kilmore, Kyneton, Woodend. Preliminary deposit, £20. Final deposit, 2 per cent.

Coburg.—Provision of new sleepout and washhouse, Caretaker's Quarters, State School No. 484. Preliminary deposit, £10. Final deposit, 2 per cent.

Daylesford.—Repairs and painting, Police Station. Particulars at Inspectors of Works Offices, Bendigo, Ballarat, Maryborough; Police Stations, Daylesford, Trentham. Preliminary deposit, £4. Final deposit, 2 per cent.

Foster.—Additions, alterations, and painting, Higher Elementary School and State School No. 1172. Particulars at Inspector of Works Office, Korumburra; Police Stations, Warragul, Yarram; State School, Foster. Preliminary deposit, £10. Final deposit, 2 per cent.

Goorambat.—Removal of residence and re-erection, State School No. 3123. Particulars at Inspectors of Works Offices, Benalla, Wangaratta; Police Stations, Euroa; State School, Goorambat. Preliminary deposit, £15. Final deposit, 2 per cent.

Greenvale.—Repairs and painting, Mess Quarters and adjoining buildings, Sanatorium. Preliminary deposit, £5. Final deposit, 2 per cent.

Heatherton.—Supply and installation of hospital and kitchen equipment, Sanatorium. Particulars at Roderick Ross and Traill, No. 4 St. James Building, 123 Williamstreet, Melbourne. Preliminary deposit, £28. Final deposit, 2 per cent.

Iona.—Additional bedroom, teacher's residence, State School No. 3201. Particulars at Police Station, Dandenong; State School, Iona. Deposit, £4.

Lake Boga.—Repairs and painting, school and residence, State School No. 3278. Particulars at Inspector of Works Office, Swan Hill; Police Stations, Kerang, Pyramid Hill. Preliminary deposit, £25. Final deposit, 2 per cent.

Lallat Plains.—Erection of new teacher's residence, State School No. 1686. Particulars at Inspectors of Works Offices, Horsham, Stawell; Police Station, Ararat; State School, Lallat Plains. Preliminary deposit, £15. Final deposit, 2 per cent.

Longwarry North.—Erection and completion of teacher's residence, State School No. 4272. Particulars at Police Station, Warragul; State School, Longwarry North. Preliminary deposit, £15. Final deposit, 2 per cent.

Manangatang.—Conversion of State School No. 4194, Annuello, into teacher's residence, State School No. 3863. Particulars at Inspector of Works Office, Swan Hill; Police Stations, Kerang, Swan Hill; State School, Manangatang. Preliminary deposit, £10. Final deposit, 2 per cent.

Manangatang.—Additions, repairs, and painting to Land Inspector's Residence, Department of Lands. Particulars at Inspector of Works Office, Swan Hill; Police Stations, Manangatang, Ouyen. Preliminary deposit, £5. Final deposit, 2 per cent.

Maryborough.—Removal of State School No. 1412, Dunach, and re-erection, High School. Particulars at Inspector of Works Office, Maryborough. Preliminary deposit, £5. Final deposit, 2 per cent.

Melbourne.—Provision of concrete foundations, new Printing School, Technical College. Preliminary deposit, £20. Final deposit, 2 per cent.

Melbourne.—New science preparation room, Emily McPherson College of Domestic Economy. Deposit, £3.

Metung.—Erection and completion of teacher's residence, State School No. 3050. Particulars at Inspector of Works Office, Bairnsdale; Police Stations, Orbost, Sale; State School, Metung. Preliminary deposit, £15. Final deposit, 2 per cent.

Mia Mia.—Additions to residence, State School No. 952. Particulars at Inspector of Works Office, Bendigo; Police Stations, Castlemaine, Kyneton, Seymour; State School, Mia Mia. Preliminary deposit, £5. Final deposit, 2 per cent.

Minyip.—Erection of new out-offices, fencing, repairs, and painting, State School No. 2167. Particulars at Inspector of Works Office, Horsham; Police Station, Murtoa; State School, Minyip. Preliminary deposit, £5. Final deposit, 2 per cent.

Moonee Ponds.—Repairs to fencing, &c., State School No. 3987. Particulars at State School, Moonee Ponds. Deposit, £4.

Mornington.—Erection of brick veneer residence, Police Station. Particulars at Police Station, Mornington. Preliminary deposit, £15. Final deposit, 2 per cent.

Nandaly.—Erection of teacher's residence, State School No. 3927. Particulars at Inspectors of Works Offices, Bendigo, Swan Hill; Police Stations, Ouyen, Sea Lake, Woomelang; State School, Nandaly. Preliminary deposit, £15. Final deposit, 2 per cent.

Noorongong.—Erection and completion of teacher's residence, State School No. 3073. Particulars at Inspector of Works Office, Wangaratta; Police Stations, Tallangatta, Wodonga; State School, Noorongong. Preliminary deposit, £15. Final deposit, 2 per cent.

Patho.—Repairs and painting, school and residence, State School No. 1994. Particulars at Inspector of Works Office, Bendigo; Police Stations, Echuca, Cohuna, Pyramid; State School, Patho. Preliminary deposit, £4. Final deposit, 2 per cent.

Seymour.—Removal of State School No. 1594, Whiteheads Creek, and State School No. 2257, Mangalore, re-erection and improved lighting, State School No. 547. Particulars at Police Station, Euroa; State School, Seymour. Preliminary deposit, £10. Final deposit, 2 per cent.

Snob's Creek (near Thornton).—Supply of 500 yards of concrete gravel, 200 yards of concrete sand, and 200 yards of bedding sand, Fish Hatchery. Deposit, 5 per cent.

Speed.—Extension to school building, State School No. 3861. Particulars at Inspectors of Works Offices, Maryborough, Mildura; Police Stations, Donald, Ouyen, St. Arnaud; State School, Speed. Preliminary deposit, £15. Final deposit, 2 per cent.

Williamstown North.—Provision of sliding screen, State School No. 1409. Particulars at State School, Williamstown North. Deposit, £5.

Yarram.—Erection of new out-offices, removal of classroom and repairs, State School No. 693. Particulars at Inspector of Works Office, Korumburra; Police Stations, Foster, Leongatha; State School, Yarram. Preliminary deposit, £5. Final deposit, 2 per cent.

22nd July, 1947.

Alexandra.—Removal of State School No. 2841, Cathkin, and State School No. 1496, Eildon, and re-erection at State School No. 912. Particulars at Inspector of Works Office, Benalla; Police Stations, Euroa, Seymour; State School, Alexandra. Preliminary deposit, £10. Final deposit, 2 per cent.

Baranduda.—Erection and completion of teacher's residence, State School No. 2222. Particulars at Inspector of Works Office, Wangaratta; Police Stations, Tallangatta, Wodonga; State School, Baranduda. Preliminary deposit, £15. Final deposit, 2 per cent.

Cann River.—Erection and completion of teacher's residence, State School No. 3920. Particulars at Inspector of Works Office, Bairnsdale; Police Station, Orbost; State School, Cann River. Preliminary deposit, £15. Final deposit, 2 per cent.

Carlisle River.—Removal of State School No. 1151, Cargarie, and re-erection and re-conditioning, State School No. 3497. Particulars at Inspectors of Works Offices, Ballarat, Geelong; Police Station, Colac; State School, Carlisle River. Preliminary deposit, £4. Final deposit, 2 per cent.

Cobden.—Repairs and renovations and new store and wood shed, State School No. 864. Particulars at Inspector of Works Office, Warrnambool; Police Station, Camperdown; State School, Cobden. Preliminary deposit, £10. Final deposit, 2 per cent.

Cororooke.—Repairs and painting, school and residence, and new fencing, State School No. 2819. Particulars at Inspector of Works Office, Geelong; Police Station, Colac; State School, Cororooke. Preliminary deposit, £5. Final deposit, 2 per cent.

East Loddon.—Erection of new Consolidated School Junior Wing, Consolidated School. Particulars at Inspectors of Works Offices, Bendigo, Shepparton; Police Station, Echuca. Preliminary deposit, £25. Final deposit, 2 per cent.

Healesville.—Repairs and painting, school and residence, State School No. 849. Particulars at Police Station, Lilydale; State School, Healesville. Preliminary deposit, £4. Final deposit, 2 per cent.

Kongwak.—Repairs, painting, and fencing, State School No. 3323. Particulars at Inspector of Works Office, Korumburra; Police Station, Wonthaggi; State School, Kongwak. Preliminary deposit, £10. Final deposit, 2 per cent.

Korumburra.—Removal of State School No. 3435, Korumburra South, and re-erection, repairs, and painting, State School No. 3077. Particulars at Inspector of Works Office, Korumburra; Police Station, Leongatha; State School, Korumburra. Preliminary deposit, £4. Final deposit, 2 per cent.

Maryborough.—Erection of new brick out-office block, State School No. 404. Particulars at Inspectors of Works Offices, Bendigo, Maryborough. Preliminary deposit, £10. Final deposit, 2 per cent.

Mont Park.—Electrical installation in Nurses' Home, Mental Hospital. Preliminary deposit, £15. Final deposit, 2 per cent.

Mont Park.—Supply and installation of a steam boiler and auxiliary equipment, Gresswell Sanatorium. Preliminary deposit, £15. Final deposit, 2 per cent.

Pannoo Estate.—Remodelling of residence, Soldier Settlement Commission. Particulars at Inspectors of Works Offices, Bendigo, Shepparton; Police Stations, Echuca, Rochester. Preliminary deposit, £10. Final deposit, 2 per cent.

Paynesville.—Purchase of machinery, boiler pumps, with bits and pieces, to be removed by purchaser, Dredge, "Edgar."

Port Fairy.—Supply of 500 cubic yards of basalt spalls, New Wharf. Particulars at Public Works Department, Port Fairy.

Rowsley.—Repairs, &c., and painting, State School No. 2183. Particulars at Inspector of Works Office, Ballarat; Police Station, Bacchus Marsh; State School, Rowsley. Deposit, £3.

Sale.—Repairs, renovations, and painting, residence, Gaol. Particulars at Inspector of Works Office, Bairnsdale; Police Station, Traralgon; Gaol, Sale. Preliminary deposit, £5. Final deposit, 2 per cent.

Williamstown.—Renovations to Watch-house, Keeper's Quarters, Police Station. Deposit, £4.

Woolsthorpe.—Repairs, renovations, and painting, State School No. 688. Particulars at Inspectors of Works Offices, Hamilton, Warrnambool; Police Station, Port Fairy; State School, Woolsthorpe. Deposit, £4.

Woorak.—Erection of new timber residence, Farm House, Soldier Settlement Commission. Particulars at Inspectors of Works Offices, Horsham, Stawell; Police Stations, Ararat, Nhill. Preliminary deposit, £15. Final deposit, 2 per cent.

29th July, 1947.

Elsternwick.—External renovations, State School No. 2870. Deposit, £4.

Melbourne.—Provision of steel windows for Chemistry School, Technical College. Preliminary deposit, £15. Final deposit, 2 per cent.

Tenders to be addressed to the Honorable the Commissioner of Public Works, and envelope containing tender marked "Tender for

P. J. KENNELLY,
Commissioner of Public Works.

Melbourne, 8th July, 1947.

PRIVATE ADVERTISEMENTS.

CITY OF BRUNSWICK.

BY-LAW No. 139.

A By-law of the City of Brunswick, numbered 139, to amend or add to By-law No. 108.

THE Council of the City of Brunswick doth hereby, in pursuance of the powers conferred by the *Local Government Act 1946*, order as follows:—

1. This By-law shall be read and construed as one with By-law No. 108, as amended by By-law No. 115, for regulating traffic and processions and suppressing nuisances.

Local Rules.

2. No driver of a vehicle (other than a tram car) shall leave or allow such vehicle to remain (whether attended or not) standing—

- (1) On the south side of that section of Moreland-road, West Brunswick, which lies between Cameron-street, Brunswick, and the railway gates of the Melbourne-Coburg railway line.
- (2) On the south side of that section of Moreland-road, West Brunswick, which lies between Sydney-road, Brunswick, and Cameron-street, Brunswick, except for the purpose of putting down or taking up passengers, or for loading or unloading goods, or in obedience to the direction or signal of a member of the Police Force or officer of the Council.
- (3) On the east side of that section of Sydney-road, Brunswick, which lies between Moreland-road and Davies-street, Brunswick, between the hours of Five and thirty minutes past Six o'clock in the afternoon of all days of the week.
- (4) On the west side of that section of Sydney-road, Brunswick, which lies between Moreland-road and Cozens-street, Brunswick, between the hours of Five o'clock and thirty minutes past Six o'clock in the afternoon of all days of the week.

Provided that this clause shall not apply to any driver of a hackney carriage or licensed motor omnibus standing on any stand duly fixed or appointed by any public authority.

All Night Parking Prohibited.

3. No person between sunset and sunrise shall, without reasonable cause or excuse (the proof whereof shall be upon any person charged), leave or allow a vehicle (other than a tram car) to remain standing in any street in the City of Brunswick for a continuous period exceeding six hours.

4. The owner or person apparently in control of any motor car or other vehicle left standing (whether unattended or not) in any street or road shall, when requested by any officer of the Council, give to such officer information with respect to any person (other than the said owner or person apparently in control of such motor car or vehicle) who is or was the driver of such motor car or vehicle which may lead to the identification of any person who is leaving or has left such motor car or vehicle so standing in contravention of any By-law.

In witness whereof the common seal of the Mayor, Councillors, and Citizens of the City of Brunswick was hereto affixed this 30th day of June, 1947, in the presence of—

G. F. PIERA, Mayor.
(SEAL.) DENZIL DON, Councillor.
H. W. FOLETTA, Town Clerk.

The aforesaid By-law was passed by Special Order of the Council on the 26th of May, 1947, and was confirmed on the 30th of June, 1947.—H. W. FOLETTA, Town Clerk.

929

CITY OF ESSENDON.

BY-LAW No. 103.

A By-law of the City of Essendon, made under the Local Government Acts and the Uniform Building Regulations Victoria, and numbered 103, for determining, applying, dispensing with, or regulating such matters or things as are left to be determined, applied, dispensed with, or regulated by the Council of the said City of Essendon, under the Uniform Building Regulations Victoria.

IN pursuance of the powers conferred by the Local Government Acts and the Uniform Building Regulations Victoria, and of any and every other power it thereunto enabling, the Mayor, Councillors, and Citizens of the City of Essendon order as follows:—

Notwithstanding anything contained in the Regulations, any person may construct a building of Class I. occupancy on land having a lesser area, depth, or width of frontage, or at a lesser distance from the boundaries than those

specified in column 2 of Table 803 of the Regulations, in any case where, on the date of commencement of the Regulations, such land existed as a separate allotment and has not since been reduced in area, or is shown on any plan of subdivision approved by the Council and lodged in the Office of Titles.

This By-law shall apply to and have operation throughout the whole of the municipal district of the City of Essendon.

Resolution for passing this By-law agreed to by the Council of the City of Essendon the 24th day of June, 1946, and confirmed on the 22nd day of July, 1946.

The common seal of the Mayor, Councillors, and Citizens of the City of Essendon was affixed hereto this 20th day of December, 1946—

(SEAL) JOHN W. S. FRASER, Mayor.
P. M. SALMON, Councillor.
N. F. WELLINGTON, Town Clerk.

Approved by the Governor in Council, the 17th day of June, 1947.—C. W. KINSMAN, Clerk of the Executive Council.

A copy of the above By-law is open for the inspection of any ratepayer, free of charge, at the Town Hall, Moonee Ponds, during office hours.—N. F. WELLINGTON, Town Clerk, 2nd July, 1947. 922

CITY OF WILLIAMSTOWN.

ALTERATION TO STREET NAMES.

NOTICE is hereby given that the under-mentioned streets have been re-named:—

Railway-place south (between Cole and Giffard streets), re-named Railway-crescent.
Railway-place north (between Thompson and Giffard streets), re-named Railway-place.

J. E. MORLEY, Town Clerk.
Town Hall, Williamstown, 30th June, 1947. 924

SHIRE OF OTWAY.

NOTICE OF INTENTION TO BORROW THE SUM OF SIX THOUSAND FIVE HUNDRED POUNDS (£6,500) FOR PERMANENT WORKS AND UNDERTAKINGS IN THE SHIRE OF OTWAY.

Loan No. 2.

TAKE notice that the Council of the Shire of Otway proposes to borrow, on the credit of the President, Councillors, and Ratepayers of the said shire, the sum of Six thousand five hundred pounds (£6,500), such sum to be raised by the issue of debentures, in accordance with the provision of the Local Government Acts.

The maximum rate of interest that may be paid is £3 6s. 3d. per centum per annum.

Such moneys shall be repayable by twenty half-yearly instalments, each including principal and interest, by providing out of the Municipal Fund such amounts on the first day of May and the first day of November in each respective year during the currency of the loan.

Such moneys shall be repayable at Melbourne, at the Commercial Bank of Australia, or at the Council's bankers for the time being in Melbourne.

The purposes for which the loan is to be applied are—

"Purchase of plant for road construction and the erection of a dwelling for the use of the Council's engineer—£6,500."

The plans, specifications, and estimate of the cost of the works referred to above, and a statement showing the proposed expenditure of money to be borrowed, are open for inspection at the Shire Office, Beech Forest.

Dated this 25th day of June, 1947.

923 T. I. FRY, Shire Secretary.

SHIRE OF DIMBOOLA.

LOAN No. 13.

Notice of Intention to Borrow the Sum of Six Thousand Pounds (£6,000) for Permanent Works and Undertakings in the Shire of Dimboola.

NOTICE is hereby given that the Council of the Shire of Dimboola proposes to borrow, on the credit of the President, Councillors, and Ratepayers of the said shire, the sum of Six thousand pounds (£6,000), such sum to be raised by the issue of debentures in accordance with the provisions of the Local Government Act 1946.

The maximum rate of interest that may be paid is £3 10s. per centum per annum.

The loan shall be repayable over a period of twenty years, by 40 equal half-yearly instalments, each including principal and interest, by providing such amounts out of the Municipal Fund on the first day of October and the first day of April in each respective year during the currency of the loan.

Such moneys shall be repayable at Melbourne, at the National Bank of Australasia Limited, or at the Council's bankers for the time being in Melbourne.

The purpose for which the loan is to be applied is—

"The purchase of machines for making roads within the shire—£6,000."

The plans, specifications, and estimate of the cost of the undertakings referred to above, and a statement showing the proposed expenditure of money to be borrowed, are open for inspection, during office hours, at the Shire Offices, Jeparit.

Dated this 7th day of July, 1947.

941 E. LOCK, Shire Secretary.

SHIRE OF GLENLYON.

LOAN No. 3.

NOTICE is given, in accordance with section 399 of the Local Government Act 1946, as follows:—

The Council intend to borrow an amount of £3,444.

It is intended to pay interest at the rate of £3 6s. 3d. per centum.

The money will be repaid at half-yearly intervals at the office of the Council's bankers at Daylesford.

The money so borrowed will be applied as follows:—

	£
Permanent street, footpath, channel, and drainage construction at Hepburn ..	1,797
Council's share of new permanent Country Roads Board works	1,047
Improvements to the Shire Hall	600
Total ..	£3,444

The loan will be liquidated by 40 equal half-yearly payments to include interest and principal.

Plans and specifications and estimates of the proposed works, together with all details of particulars, are available for inspection at the Shire Office, during ordinary office hours.

H. S. LAZARUS, Shire Secretary.

Shire Hall, 3rd July, 1947. 942

SHIRE OF NARRACAN.

NOTICE OF INTENTION TO BORROW THE SUM OF £20,500 FOR PERMANENT WORKS AND UNDERTAKINGS IN THE SHIRE OF NARRACAN.

NOTICE is hereby given that the Council of the Shire of Narracan proposes to borrow, on the credit of the President, Councillors, and Ratepayers of the Shire of Narracan, the sum of £20,500 (Twenty thousand five hundred pounds), such sum to be raised by the issue of debentures, in accordance with the provisions of the Local Government Act 1946.

The rate of interest to be paid is £3 5s. per centum per annum.

Such moneys shall be repayable by twenty half-yearly instalments, each including principal and interest, by providing out of the Municipal Fund such amounts on the fifteenth day of March and the fifteenth day of September in each respective year during the currency of the loan. The money borrowed shall be repayable, together with interest, at the Commercial Banking Company of Sydney Limited, or at the Council's bankers at the time being in Melbourne.

The purpose for which the loan is to be applied is—

"For the purchase of machinery, plant, equipment, the erection of storeyards, and purchase of a dwelling house."

Plans, specifications, and estimate for the cost of the works referred to above, and a statement showing the proposed expenditure of the money to be borrowed, are open for inspection, during office hours, at the Shire Office, Trafalgar.

Dated this 4th day of July, 1947.

940 T. SHANAHAN, Shire Secretary.

SHIRE OF PHILLIP ISLAND.

I HEREBY give notice that J. Churchill has been appointed Honorary Inspector for the protection of the Coves and Phillip Island Foreshore, and is empowered to take any action, pursuant to the Regulations governing the control of the whole of the foreshores and reserves of Phillip Island, as proclaimed in the *Government Gazette* on the 30th day of April, 1947.

By order of the Committee of Management,

D. MCADIE, Shire Secretary.

1st July, 1947. 936

SHIRE OF ROMSEY.

NOTICE OF INTENTION TO BORROW THE SUM OF TWO THOUSAND TWO HUNDRED AND FIFTY POUNDS (£2,250) FOR PERMANENT WORKS AND UNDERTAKINGS IN THE SHIRE OF ROMSEY.

Loan No. 8.

TAKE notice that the Council of the Shire of Romsey proposes to borrow, on the credit of the President, Councillors, and Ratepayers of the said shire, the sum of Two thousand two hundred and fifty pounds (£2,250), such sum to be raised by the issue of debentures, in accordance with the provision of the *Local Government Act 1946*.

The maximum rate of interest that may be paid is 6s. per centum per annum.

Such moneys shall be repayable by twenty equal half-yearly instalments, each including principal and interest, by providing out of the Municipal Fund such amounts on the first day of March and the first day of September in each respective year during the currency of the loan.

Such moneys shall be repayable at Melbourne, at the National Bank of Australasia Limited, or at the Council's bankers for the time being in Melbourne.

The purpose for which the loan is to be applied is—

"The purchase of road-making machinery . . . £2,250."

The plans, specifications, and estimate of the cost of the works referred to above, and a statement showing the proposed expenditure of money to be borrowed, are open for inspection at the Shire Office, Romsey.

Dated this 4th day of July, 1947.

986 J. PATTERSON, Shire Secretary.

I JOHN ALLAN ROBERTS, of 192 Smith-street, Thornbury, storeman, hereby give notice that by deed poll dated 5th July, 1947, and filed with the Registrar-General on 8th July, 1947, I formally renounced and abandoned the name of Lindsay Noel Ross, under which name my birth was registered in the office of the Victorian Government Statist, and I intend henceforth to use and be known, called, and described by the name of John Allan Roberts. Dated 8th July, 1947.

J. A. ROBERTS.

Witness—R. G. PEILE, solicitor, Melbourne. 972

Sewerage Districts Acts.

PROPOSED MOE SEWERAGE AUTHORITY.

NOTICE is hereby given that the Moe Waterworks Trust has made application to the Honorable the Minister of Water Supply for the constitution of a Sewerage Authority and for the proclamation of a Sewerage District at Moe, and the construction, maintenance, and continuance of sewerage works within that district under the provisions of the Sewerage Districts Acts.

A general plan and description of the proposed works have been submitted with the application, and copies of same may be seen at Trust Office at Moe.

Dated at Moe, the 24th day of June, 1947.

835 W. H. BURRAGE, JUNR., Trust Secretary.

NOTICE is hereby given that the partnership heretofore subsisting between Ernest Ivan Francis Halley, of 190 Centre-road, Bentleigh, and Frank Millington, of 38 Verdant-avenue, Toorak, carrying on business as sellers and dealers in motor cars and accessories thereto, at 253 Latrobe-street, Melbourne, under the style or firm of Millington Motors, has been dissolved as from the 6th day of June, 1947, so far as concerns the said Ernest Ivan Francis Halley, who retires from the said firm. Dated the 6th day of June, 1947.

E. I. F. HALLEY.
F. MILLINGTON.

Gair and Brahe, solicitors, 243 Collins-street, Melbourne. 974

NOTICE is hereby given that the partnership subsisting between Charles Henry Williams and Thomas James Williams, carrying on business as carriers at Warragul, under the style or firm of Williams and Sons, was dissolved on the 22nd day of December, 1943, by the death of the said Thomas James Williams, since which date the said business has been carried on and will continue to be carried on by the said Charles Henry Williams, under the same firm name, on his own account, and all moneys owing to or by the said firm will be received and paid by him.

Dated this 30th day of June, 1947.

The common seal of the Ballarat Trustees, Executors, and Agency Company Limited (executor of the will of the said Thomas James Williams, deceased) was affixed hereto, by order of the Board, in the presence of—

(L.S.) ROBERT W. BAIRD, Director.
R. H. RAMSAY, Director.

Signed by the said Charles Henry Williams, in the presence of—W. N. MOONIE, solicitor, Warragul.

C. H. WILLIAMS.

Gray, Friend, and Moonie, solicitors, 64 Queen-street, Warragul. 931

PARTNERSHIP ACT 1928.

NOTICE is hereby given that the partnership hitherto subsisting between John Patrick Coffey and John Thomas Anderson, carrying on business as laundry proprietors, under the firm name of "Hamilton Steam Laundry," at 246 Gray-street, Hamilton, was dissolved on the 30th day of June, 1947, when the said John Thomas Anderson retired from the firm. The said John Patrick Coffey will continue to carry on the said business, at the same address, under the firm name of "Hamilton Laundry." All accounts owing to the said firm should be paid to the said John Patrick Coffey, at the above address.

Dated this 2nd day of July, 1947.

JOHN P. COFFEY.
J. ANDERSON.

Melville and Walter, solicitors, 69-71 Thompson-street, Hamilton. 938

NOTICE is hereby given that the partnership heretofore subsisting between the undersigned, William August Harry Otte and William Percy Otte, carrying on business as cake decoration manufacturers, at 29 Thomas-street, Windsor, under the firm name or style of Art Cake Decoration Co., has been dissolved by mutual consent, as on the 30th day of June, 1947. All debts due to and owing by the said late firm will be received and paid respectively by the said William Percy Otte, who will continue to carry on the business at the same place, under the said firm name or style.

Dated the 1st day of July, 1947.

W. A. H. OTTE.
W. P. OTTE.

979

NOTICE is hereby given that the partnership heretofore subsisting between the undersigned Mabel Robbins and Margaret Ellen Mansfield, carrying on the business of manufacturers and sellers of ladies' mantles and accessories, at 97 Ormond-road, Elwood, under the style of "Judith Browne of London," has been dissolved by mutual consent as from the 30th day of June, 1947. All debts due and owing by the late partnership will be received and paid by the said Mabel Robbins, of 5 Beach-avenue, Elwood, who will solely carry on the business of the said partnership at 97 Ormond-road, Elwood.

Dated at Melbourne, the 30th day of June, 1947.

M. ROBBINS.
M. E. MANSFIELD.

Witness—E. EDGAR DAVIES.
E. Edgar Davies and Co., solicitors, 11 Bank-place, Melbourne. 944

NOTICE is hereby given that the partnership heretofore subsisting between Dr. Cecil William John Rait, of 215 Pakington-street, Geelong West, and Dr. Gordon Donald McDonald, of Aphrasia-street, Newtown, Geelong, in the practice of medicine and surgery, carried on by them at 215 Pakington-street, Geelong West, has been dissolved as from the 30th day of June, 1947.

Dated this 30th day of June, 1947.

CECIL W. J. RAIT.
GORDON D. McDONALD.

Philip R. Fraser, Yarra-street, Geelong, solicitor for Dr. Rait.

Wighton and McDonald, Yarra-street, Geelong, solicitor for Dr. McDonald. 921

NOTICE is hereby given that the partnership heretofore subsisting between William George Daubenthaler and Henry Edgar Daubenthaler, carrying on business as farmers and graziers, at Lima East, under the name of "Daubenthaler Bros.," has been dissolved by mutual consent, as from the 30th day of June, 1947.

Dated the 1st day of July, 1947.

954 W. G. DAUBENTHALER.
H. E. DAUBENTHALER.

RE A. HOWIE'S QUARRIES PROPRIETARY LIMITED
(IN LIQUIDATION).

I DONALD ALEXANDER McASKIL, of 769 Sydney-road, Coburg, liquidator, of A. Howie's Quarries Proprietary Limited, hereby give notice, pursuant to section 236 of the *Companies Act 1938*, that a General Meeting of the above company will be held, at my said address, on Monday, the 11th day of August, 1947, at Five o'clock in the afternoon, for the purpose of laying before it an account of the winding up of the company, showing how the winding up has been conducted and the property of the company has been disposed of, and giving any explanation thereof that may be required.

Dated this 4th day of July, 1947.

975 D. A. McASKIL, Liquidator.

P. L. JANSEN & CO. PTY. LTD.

NOTICE OF EXTRAORDINARY RESOLUTION TO WIND UP,
PURSUANT TO SECTION 226, VICTORIAN COMPANIES ACT.

AT an Extraordinary General Meeting of the members of the above-named company, duly convened and held at the Geelong Wool Exchange, Corio-street, Geelong, on Monday, the 30th day of June, 1947, the following Extraordinary Resolution was duly passed:—

"That it has been proved to the satisfaction of this meeting that the company cannot, by reason of its liabilities, continue its business, and that it is advisable to wind up the same, and accordingly that the company be wound up voluntarily, and that G. W. Thom, public accountant, of National Mutual Buildings, Malop-street, Geelong, be and is hereby nominated the liquidator for the purposes of the winding up."

Dated this 2nd day of July, 1947.

920 L. P. JANSEN, Director.

Companies Act 1938.

ALTON TRUST PROPRIETARY LIMITED (IN
LIQUIDATION).

NOTICE OF FINAL MEETING.

NOTICE is hereby given that, pursuant to section 236 of the *Companies Act 1938*, a General Meeting of the members of the above-named company will be held at the liquidator's office, 37 Swanston-street, Melbourne, on Monday, 11th August, 1947, at half-past Ten a.m., for the purpose of having an account laid before them, showing the manner in which the winding up has been conducted and the property of the company disposed of, and of hearing any explanation that may be given by the liquidator.

Dated this 1st day of July, 1947.

976 F. J. HOWELLS, Liquidator.

Companies Act 1938.

BURNHAM TRUST PROPRIETARY LIMITED (IN
LIQUIDATION).

NOTICE OF FINAL MEETING.

NOTICE is hereby given that, pursuant to section 236 of the *Companies Act 1938*, a General Meeting of the members of the above-named company will be held at the liquidator's office, 37 Swanston-street, Melbourne, on Monday, 11th August, 1947, at half-past Ten a.m., for the purpose of having an account laid before them, showing the manner in which the winding up has been conducted and the property of the company disposed of, and of hearing any explanation that may be given by the liquidator.

Dated this 1st day of July, 1947.

977 F. J. HOWELLS, Liquidator.

Companies Act 1938.

MULCAIR BROS. PROPRIETARY LIMITED (IN
LIQUIDATION).

NOTICE is hereby given, pursuant to section 236 of the *Companies Act 1938*, that a General Meeting of the members of the above-named company will be held at 360 Collins-street, Melbourne, C.I., on Wednesday, the 13th day of August, 1947, at Eleven o'clock in the forenoon, for the purpose of having an account laid before the members, showing the manner in which the winding up has been conducted and the property of the company has been disposed of, and hearing any explanation that may be given by the liquidator.

Dated this 11th day of July, 1947.

978 T. MULCAIR, Liquidator.

ROSE BUILDERS PROPRIETARY LIMITED.

AT an Extraordinary General Meeting of the above-named company, duly convened and held at 31 Collins-street, Melbourne, on Tuesday, the 1st day of July, 1947, the following Resolution was duly passed as a Special Resolution:—

"That the company be wound up voluntarily."

Dated the 1st day of July, 1947.

980 R. L. ROSEFIELD, Chairman.

Companies Act 1938.

RE LOWAN INVESTMENTS PROPRIETARY LIMITED.

COPY OF SPECIAL RESOLUTION, PURSUANT TO SECTION 118.

AT a General Meeting of the members of Lowan Investments Proprietary Limited, duly convened and held at the registered office of the company, at Victoria-street, Nhill, on the 3rd day of July, 1947, the following Special Resolution was duly passed:—

"That the company be wound up voluntarily, and that Reginald Blachley Turner, of Nhill, solicitor, be and is hereby appointed liquidator for the purposes of winding up the affairs and distributing the assets of the company."

Dated this 3rd day of July, 1947.

991 R. B. TURNER, Chairman of Directors.

Companies Act 1938.

STANDARD INVESTMENTS PTY. LTD.

AT a General Meeting of members of Standard Investments Pty. Ltd., duly convened and held at 4 Manningtree-road, Hawthorn, on the 25th day of June, 1947, the following Special Resolution was duly passed:—

"That the company be wound up voluntarily under the provisions of the *Companies Act 1938*, and that Mr. Albert Joseph Weeks, of 51 Queen-street, Melbourne, chartered accountant (Aust.), be appointed liquidator for the purposes of such winding up at a fee of Ten guineas."

Dated this 26th day of June, 1947.

958 J. H. PATTERSON, Director.

Companies Act 1938.

R. A. FRASER PROPRIETARY LIMITED.

AT an Extraordinary General Meeting of the above-named company, duly convened and held at the office of Messrs. Melville and Walter, solicitors, 69-71 Thompson-street, Hamilton, on Friday, the 27th day of June, 1947, the following Resolution was duly passed as a Special Resolution:—

"That the company be wound up voluntarily."

And at such last-mentioned meeting Basil Lee Archer, of Hamilton, public accountant, was appointed liquidator for the purposes of the winding up.

Dated the 1st day of July, 1947.

939 R. A. FRASER, Chairman.

CREDITORS, next of kin, and others having claims against the estate of Matthew Davidson Jeffrey, late of Glen Park, labourer, deceased, intestate (who died on the 16th May, 1947), are to send particulars of their claims to The Ballarat Trustees, Executors, and Agency Company Limited, at its address, 101 Lydiard-street north, Ballarat, by the 11th day of September, 1947, after which date the said company will distribute the assets, having regard only to the claims of which it then has notice.

937

CREDITORS, next of kin, and all others having claims against the estate of Charles Craig Hall, late of 187 Thomas-street, Brighton East, in the State of Victoria, costing officer, deceased (who died on the 19th day of December, 1946), are required by the executrix of the estate, Sadie Louise Hall, of 187 Thomas-street, Brighton East aforesaid, widow, to send particulars of their claims to her, in care of the undersigned, on or before the 12th day of September, 1947, after which date she will distribute the assets, having regard only to the claims of which she then has notice.

MICHAEL NIALL & CO., solicitors, 360 Collins-street, Melbourne. 950

CREDITORS, next of kin, and others having claims in respect of the estate of Thomas Larkin (also known as Thomas Charles Larkin), formerly of 1 Elm-grove, North Essendon, in the State of Victoria, but late of 2 Vincent-street, Coburg, in the said State, retired tramway official, deceased (who died on the 7th day of January, 1947), are to send particulars of their claims to the National Trustees, Executors, and Agency Company of Australasia Limited, of 95 Queen-street, Melbourne, by the 12th day of September, 1947, after which date it will distribute the assets, having regard only to the claims of which it then has notice.

JOHN STAPLETON, solicitor, 186 Bell-street, Coburg. 951

CREDITORS, next of kin, and all others having claims against the estate of Millicent Eastwood, late of 65 Queensberry-street, Carlton, in the State of Victoria, married woman, deceased (who died on the 6th day of March, 1947), are required by the executrices of the estate, Isabel Margaret Eastwood, of 65 Queensberry-street, Carlton, in the said State, spinster, and Evelyn Mary Ritchie, of 8 Butters-street, West Preston, in the said State, married woman, to send particulars of their claims to them, in care of the undersigned, on or before the 12th day of September, 1947, after which date they will distribute the assets, having regard only to the claims of which they then have notice.

MICHAEL NIALL & CO., solicitors, of 360 Collins-street, Melbourne. 952

CREDITORS, next of kin, and others having claims in respect of the estate of Denis Hickey, late of Boundary-road, Whittington, in the State of Victoria, gentleman, deceased, intestate (who died on the 18th day of April, 1947), are to send particulars of their claims to The Ballarat Trustees, Executors, and Agency Company Limited, at its branch office, Malop-street, Geelong, in the State of Victoria, by the 17th day of September, 1947, after which date the assets will be distributed, having regard only to the claims of which it then has notice.

NEIL M. FREEMAN, solicitor, 57 Yarra-street, Geelong. 956

CREDITORS, next of kin, and others having claims in respect of the estate of Elizabeth Crew, formerly of Rowe-street, Euroa, but late of Wangaratta, in the State of Victoria, widow, deceased (who died on the 4th day of January, 1947), are to send the particulars of their claims to The Perpetual Executors and Trustees Association of Australia Limited, of 100-104 Queen-street, Melbourne, by the 19th day of September, 1947, after which date it will distribute the assets, having regard only to claims of which it then has notice.

Dated the 2nd day of July, 1947.

NEIL STEWART & JUST, solicitors, Wangaratta. 926

PURSUANT to the *Trustee Act 1928*, notice is hereby given that all persons having claims against the estate of Thomas Wilson, late of 84 Greta-road, Wangaratta, in Victoria, retired farmer, deceased (who died on the 4th day of July, 1946, and letters of administration of whose estate were granted to Jessie Elizabeth Wilson, of 84 Greta-road, Wangaratta, widow), are hereby required to send particulars, in writing, of such claims to the administratrix, care of the undersigned solicitors, on or before the 11th day of August, 1947, after which date the administratrix will proceed to distribute the estate among the persons entitled thereto, having regard only to the claims of which she shall then have had notice.

McSWINEY & DOYLE, solicitors, Reid-street, Wangaratta. 927

NOTICE TO CLAIMANTS.

WILLIAM GEORGE JUST, of Wangaratta, in the State of Victoria, solicitor, the executor of the will of Frank Humar, late of Wangaratta aforesaid, farmer, deceased (who died on the 31st day of October, 1946), requires all creditors, next of kin, and others having claims against the property or estate of the said deceased to send to the executor, in the care of Neil Stewart and Just, at the address hereunder mentioned, on or before the 19th day of September, 1947, particulars, in writing, of such claims, after which date the said executor intends to convey or distribute such property or estate to or among the persons entitled thereto, having regard only to the claims of which he shall have had notice.

Dated this 2nd day of July, 1947.

NEIL STEWART & JUST, solicitors, Wangaratta. 928

CREDITORS, next of kin, and others having claims in respect of the estate of Ida Marie Pearson, late of 18 Cascade-street, North Balwyn, in the State of Victoria, married woman, deceased (who died on the 7th day of November, 1945), are to send the particulars of their claims to The Equity Trustees, Executors, and Agency Company Limited, whose registered office is at 472 Bourke-street, Melbourne, by the 17th day of September, 1947, after which date it will distribute the assets, having regard to the claims of which it then has notice.

A. C. SECOMB & TIBB, solicitors, 128 William-street, Melbourne. 945

CREDITORS, next of kin, and others having claims in respect of the estate of James Augustine Murray (also known as James Murray), late of Eltham North, in the State of Victoria, farmer, deceased (who died on the 13th day of March, 1947), are to send particulars of their claims to The National Trustees, Executors, and Agency Company of Australasia Limited, of 95 Queen-street, Melbourne, by the 18th day of September, 1947, after which date it will distribute the assets, having regard only to the claims of which it then has notice.

JOHN F. CARROLL, solicitor, 95 Queen-street, Melbourne. 947

CREDITORS, next of kin, and others having claims in respect of the estate of John Ingram, late of 80 Clowes-street, South Yarra, retired jeweller, deceased (who died on the 31st December, 1946), are to send particulars of their claims to Eric Russell Allan, of 80 Clowes-street, South Yarra, accountant, Aubrey Stubbing Chalk, of 11 Avenel-road, Kooyong, retired bank manager, and Mary Douglass Graham, of 25 Bruce-street, Toorak, married woman, to the care of the undersigned solicitors, on or before the 11th September, 1947, after which date the executors will distribute the estate, having regard only to the claims of which they then have notice.

MOULE, HAMILTON, & DERHAM, solicitors, 394 Collins-street, Melbourne. 946

CREDITORS, next of kin, and all others having claims against the estate of Lorinda Marie Goldberg, formerly of 1 Hartley-avenue, Caulfield, but late of 5 Flowers-street, Caulfield, in the State of Victoria, married woman, deceased (who died on the 8th day of February, 1947), are required by the executrix of the estate, Lorinda Valda Redman, of 153 Head-street, Elsternwick, in the said State, married woman, to send particulars of their claims to her, in care of the undersigned, on or before the 12th day of September, 1947, after which date she will distribute the assets, having regard only to the claims of which she then has notice.

MICHAEL NIALL & CO., solicitors, 360 Collins-street, Melbourne. 948

CREDITORS, next of kin, and all others having claims against the estate of Daisy Valentine Donnelly (in the will called Daisy V. Donnelly), late of 110 Koornang-road, Carnegie, widow, deceased (who died on the 23rd day of February, 1947), are required by the executor of the estate, James John Vincent Hannan (in the will called James Hannan), of 110 Koornang-road, Carnegie aforesaid, clerk, to send particulars of their claims to him, in care of the undersigned, on or before the 12th day of September, 1947, after which date he will distribute the assets, having regard only to the claims of which he then has notice.

MICHAEL NIALL & CO., solicitors, 360 Collins-street, Melbourne. 949

Trustee Act 1928.

NOTICE TO CLAIMANTS.

PURSUANT to the *Trustee Act 1928*, creditors, next of kin, and all other persons having claims in respect of the estate of any deceased person named below are required to send particulars thereof to the legal personal representative or representatives at the address stated below, on or before the date stated, after which date the representative or representatives will distribute the assets, having regard only to the claims of which notice has been received:—

Beryl Roberts, late of Codrington, spinster, died 16th October, 1946.—Claims to the administrator, Gilbert Thomas Roberts, of Tyrendarra East, grazier, care of J. W. Powling, solicitor, Port Fairy, by 12th September, 1947. 930

Flora May Watson, late of Bootahpool, Port Fairy, spinster, deceased, died 12th May, 1947.—Claims to the executors, Alexander Watson, of "Grasslands," Port Fairy, grazier, and Daniel Watson, of Narrawong, near Portland, farmer, care of Peter P. Conlan, solicitor, Bank-street, Port Fairy, by the 12th day of September, 1947. 932

Stanley Bolton, late of Iona-street, Black Rock, retired bank manager, died 8th March, 1947.—Claims to the executors, Peter Mackay Bolton and John Henderson Bolton, care of Willan and McKenzie, solicitors, 46 Wellington-street, Kerang, by 9th September, 1947. 943

Eliza Susanna Heath, late of "Calne, 228 Balcombe-road, Mentone, spinster, died 17th April, 1947.—Claims to the executors, Henry Stiles Heath, of 139 Tooronga-road, Hawthorn, retired clergyman, and National Trustees, Executors, and Agency Company of Australasia Limited, of 95 Queen-street, Melbourne, care of the said company, by the 17th September, 1947. Maddock, Lonie, and Chisholm, solicitors, 339 Collins-street, Melbourne. 985

Mary Anne Lineen, late of Cororooke, widow, died 5th February, 1947.—Claims to the executor, John Lineen, of Cororooke, farmer, by 12th September, 1947. Sewell and Sewell, solicitors, Colac. 961

Agnes Cocks, late of 1566 Malvern-road, East Malvern, in the State of Victoria, widow, deceased, died 8th day of March, 1947.—Claims to the executor, Charles John Blyth Cocks, of 1566 Malvern-road, East Malvern aforesaid, staff inspector, Munitions Department, care of Aitken, Walker, and Strachan, of 123 William-street, Melbourne, solicitors for the executor, by the 12th day of September, 1947. 968

ANNIE MCKAY, late of Tynong, in the State of Victoria, widow, DECEASED.

CREDITORS, next of kin, and all other persons having claims against the estate of the above-named Annie McKay, deceased (who died on the 18th July, 1946), are required by her executor, Laurence L'Estrange, of 291 Bridge-road, Richmond, solicitor, to send particulars of such claims to the executor, in care of L'Estrange and Kennedy, solicitors, of 291 Bridge-road, Richmond, in Victoria, on or before the 1st day of October, 1947, after which date the said executor will distribute the assets of the estate, having regard only to those claims of which he will then have had notice.

L'ESTRANGE & KENNEDY, solicitors, of 291 Bridge-road, Richmond. 959

JANE BROWN, late of Diamond Creek, in the State of Victoria, home duties, DECEASED.

CREDITORS, next of kin, and all other persons having claims against the estate of the above-named Jane Brown, deceased (who died on the 13th day of January, 1947), are required by her executor, Laurence L'Estrange, of 291 Bridge-road, Richmond, solicitor, to send particulars of such claims to the executor, in care of L'Estrange and Kennedy, solicitors, of 291 Bridge-road, Richmond, in Victoria, on or before the 1st day of October, 1947, after which date the said executor will distribute the assets of the estate, having regard only to those claims of which he will then have had notice.

L'ESTRANGE & KENNEDY, solicitors, of 291 Bridge-road, Richmond. 960

AMELIA MINOGUE, late of 80 Kinkora-road, Hawthorn, in the State of Victoria, widow, DECEASED (who died on the 4th day of December, 1946).

CREDITORS, next of kin, and all other persons having claims against the estate of the deceased are required by the executors of her will, Mary Catherine Minogue, formerly of 80 Kinkora-road, Hawthorn, but now of Plumer-street, Croydon, trained nurse, and James Minogue, of 9 Ailsa-avenue, East Malvern, artist, to send particulars to them, care of the under-mentioned solicitor, on or before the 9th day of September, 1947, after which date they will distribute the assets, having regard only to the claims of which they then have notice.

M. S. MINOGUE, solicitor, 243 Collins-street, Melbourne, C.I. 962

ANNIE SHEAHAN, late of 55 Glenferrie-road, Hawthorn, in the State of Victoria, gentlewoman, DECEASED (who died on the 1st day of October, 1946).

CREDITORS, next of kin, and all other persons having claims against the estate of the deceased are required by the executrix of her will, Mary Campbell, of 44 Wattle-road, Hawthorn, married woman, to send particulars to her, care of the under-mentioned solicitor, on or before the 9th day of September, 1947, after which date the said executrix will distribute the assets, having regard only to the claims of which she then has notice.

M. S. MINOGUE, solicitor, 243 Collins-street, Melbourne. 963

RODERICK VALENTINE MAHER, late of 27 Lennox-street, Hawthorn, in the State of Victoria, tramway employee, DECEASED (who died on the 17th day of September, 1946).

CREDITORS, next of kin, and all other persons having claims against the estate of the deceased are required by the executrix of his will, Kate Maher, of 27 Lennox-street, Hawthorn, widow, to send particulars to her, care of the under-mentioned solicitor, on or before the 9th day of September, 1947, after which date the said executrix will distribute the assets, having regard only to the claims of which she then has notice.

M. S. MINOGUE, solicitor, 243 Collins-street, Melbourne, C.I. 964

ANDREW LUSK SHIELDS, DECEASED.

ALL persons having claims against the property or estate of Andrew Lusk Shields, late of 37 Repulse Bay-road, in the Colony of Hong Kong, merchant, deceased (who died on the 24th day of July, 1944, and letters of administration, with the will annexed, of whose estate was on the 26th day of June, 1947, granted by the Supreme Court of Victoria to The Perpetual Executors and Trustees Association of Australia Limited, the registered office of which is situate at 100 to 104 Queen-street, Melbourne, as attorney under power of Aloha Ellison Shields, the sole executrix of the said will), are hereby required to send particulars, in writing, of such claims to the said association, on or before the 10th day of September, 1947, after which date the said association will, in pursuance of section 86 of the *Administration and Probate Act 1928*, pay and/or hand over to the said executrix the assets of the said deceased which shall have come to its hands or possession, having regard only to the claims of which it shall then have had notice.

Dated this 9th day of July, 1947.

RODDA, BALLARD, & VROLAND, 430 Little Collins-street, Melbourne, solicitors for the said association. 990

PURSUANT to the *Trustee Act 1928*, notice is hereby given that all persons having claims against the estate of Aubrey Wallace Bois, late of 12 Montclair-avenue, Brighton, in the State of Victoria, estate agent, deceased, intestate (who died on the 28th day of April, 1947, and administration of whose estate was granted by the Supreme Court of the said State, in its probate jurisdiction, on the 27th day of May, 1947, to Florence Annie Bois, of 12 Montclair-avenue, Brighton aforesaid, widow), are hereby required to send particulars, in writing, of such claims to the said Florence Annie Bois, care of S. C. Stephens, solicitor, 375 Collins-street, Melbourne, on or before the 18th day of September, 1947, after which date the said Florence Annie Bois will proceed to distribute the assets of the said Aubrey Wallace Bois, deceased, which shall have come to her hands amongst the persons entitled thereto, having regard only to the claims of which she shall then have had notice. And notice is hereby further given that the said Florence Annie Bois will not be liable for the assets so distributed, or any part thereof, to any person of whose claim she shall not have had notice as aforesaid.

S. C. STEPHENS, 375 Collins-street, Melbourne, solicitor for the said Florence Annie Bois. 933

PURSUANT to the *Trustee Act* 1928, notice is hereby given that all persons having claims against the estate of Stephen Heyward May, late of Murroon, farmer (who died on the 24th day of March, 1947, and probate of whose will was granted to Nellie Smith and Jessie Elizabeth Green, both of Murroon, married women), are hereby required to send particulars, in writing, of such claims to the executrices, care of the undersigned, on or before the 5th day of September, 1947, after which date the said executrices will proceed to distribute the estate of the testator amongst the persons entitled thereto, having regard only to the claims of which they shall then have had notice, and will not be liable for the assets so distributed, or any part thereof, to any person of whose claim they shall not have had notice.

Dated 30th day of June, 1947.

CUNNINGHAM, BYRNE, & LARKINS, of Murray-street, Colac, solicitors for the executrices. 970

CREDITORS and others having claims in respect of the estate of Augustus Alexander Tannock, late of 29 Cotham-road, Kew, in Victoria, printer, deceased (who died on the 9th day of May, 1947), are to send particulars of their claims to The Ballarat Trustees, Executors, and Agency Company Limited, whose registered office is situate 101 Lydiard-street north, Ballarat, to its Melbourne office, 50 Market-street, Melbourne, by the 9th day of September, 1947, after which date the said company will distribute the assets, having regard only to the claims of which it shall then have notice.

Dated this 8th day of July, 1947.

HOAD & BONELLA, of 101 Queen-street, Melbourne, solicitors for the said company. 971

PURSUANT to the *Trustee Act* 1928, all persons having claims against the property or estate of Hannah Daniel, formerly of 10 Owen-street, Mordialloc, in the State of Victoria, but late of 2 Epsom-road, Mordialloc, in the said State, married woman, deceased (who died on the 9th day of March, 1947, and probate of whose will was granted by the Supreme Court of Victoria, on the 26th day of June, 1947, to The Trustees, Executors, and Agency Company Limited, whose registered office is situate at 401 Collins-street, Melbourne, the sole executor named in and appointed by the said will), are hereby required to send particulars of such claims to the said company, at its registered office aforesaid, on or before the 10th day of September, 1947, after which date it will proceed to convey or distribute the said estate to or among the persons entitled thereto, having regard only to the claims, whether formal or not, of which it shall then have had notice, and will not be liable for the assets so distributed to any person of whose claim it shall not then have had notice.

W. E. C. TREYVAUD, solicitor, 357 Little Collins-street, Melbourne. 973

CREDITORS, next of kin, and others having claims in respect of the estate of Sarah Philippa Duke, late of 12 Charlotte-place, St. Kilda, widow (who died on the 18th April, 1947), are to send particulars of their claims to The Perpetual Executors and Trustees Association of Australia Limited, of 100 Queen-street, Melbourne, by the 15th September, 1947, after which date it will distribute the assets, having regard only to the claims of which it then has notice.

HENDERSON & BALL, solicitors, 430 Little Collins-street, Melbourne. 982

PURSUANT to the *Trustee Act* 1928, notice is hereby given that all persons having any claims against the estate of Alan Percy Skinner, late of Cable-road, Singapore, Federated Malay States, formerly of Keinton, Mandeville, Somersetshire, England, cable and wireless engineer, deceased (who died on the 13th day of February, 1942, and letters of administration with the will annexed of the estate of the said Alan Percy Skinner, deceased, were granted by the Supreme Court to Joseph James Kenny and Francis Ronald Hector MacDonald, both of 360 Collins-street, Melbourne, in the State of Victoria, solicitors, the administrators in Victoria), are hereby required to send in particulars, in writing, of such claims to the said administrators, care of the undersigned solicitors, on or before the 13th day of September, 1947; and notice is hereby given that after the last-mentioned date the said administrators will proceed to distribute the assets of the said deceased among the persons entitled thereto, having regard only to the claims of which they shall then have had notice, and the said administrators will not be answerable or liable to any person of whose claim they shall not then have had notice for the assets, or any part thereof, so distributed.

LYNCH & MACDONALD, 360 Collins-street, Melbourne, solicitors for the said administrators. 984

NOTICE TO CREDITORS AND OTHERS.

PURSUANT to the *Trustee Act* 1928, notice is hereby given that all persons having claims against the estate of Elizabeth Nellie Knee, formerly of 791 Sydney-road, Brunswick, late of 48 Mitchell-street, Brunswick, in the State of Victoria, married woman, deceased (who died on the 1st day of February, 1947, and probate of whose will was granted by the Supreme Court of the State of Victoria, in its probate jurisdiction, on the 1st day of July, 1947, to Ernest James Knee, of 48 Mitchell-street, Brunswick, in the State of Victoria, mercer, widower of the said deceased, and Harry Ernest Mann Knee, of 13 Melville-road, Pascoe Vale, in the State of Victoria, mercer, son of the said deceased, the executors named in and appointed by the said will), are hereby required to send particulars, in writing, of such claims to the said Ernest James Knee and Harry Ernest Mann Knee, at the office of their under-mentioned solicitors, on or before the 15th day of September, 1947. And notice is hereby also given that after the last-mentioned date the said Ernest James Knee and Harry Ernest Mann Knee will proceed to distribute the assets of the said Elizabeth Nellie Knee, deceased, amongst the persons entitled thereto, having regard only to the claims of which they shall then have had notice, and the said Ernest James Knee and Harry Ernest Mann Knee will not be liable for the assets, or any part thereof, so distributed to any person of whose claim they shall not then have had notice.

Dated the 4th day of July, 1947.

A. L. C. FLINT & MARRIE, of 90 Queen-street, Melbourne, solicitors for the applicants. 965

CREDITORS, next of kin, and others having claims in respect of the estate of Louisa Victoria Northey Poer, formerly of 70 Finch-street, East Malvern, in the State of Victoria, married woman, but late of 97 Wilson-street, South Yarra, in the said State, widow, deceased intestate (who died on the 18th day of March, 1947), are to send the particulars of their claims to The Perpetual Executors and Trustees Association of Australia Limited, whose registered office is situate at Nos. 100-104 Queen-street, Melbourne, in the State of Victoria, the administrator of the estate of the said deceased, by the 30th day of September, 1947, after which date it will distribute the assets, having regard only to the claims of which it then has notice.

Dated the 7th day of July, 1947.

HODGSON & FINLAYSON, 360 Collins-street, Melbourne, solicitors for the administrator. 966

CREDITORS, next of kin, and others having claims in respect of the estate of John Poer, formerly of 70 Finch-street, East Malvern, in the State of Victoria, gentleman, but late of 97 Wilson-street, South Yarra, in the said State, motor trimmer, deceased (who died on the 20th day of November, 1946), are to send the particulars of their claims to The Perpetual Executors and Trustees Association of Australia Limited, whose registered office is situate at Nos. 100-104 Queen-street, Melbourne, in the State of Victoria, the administrator of the estate with the will annexed of the said deceased, by the 30th day of September, 1947, after which date it will distribute the assets, having regard only to the claims of which it then has notice.

Dated the 7th day of July, 1947.

HODGSON & FINLAYSON, 360 Collins-street, Melbourne, solicitors for the administrator. 967

CREDITORS, next of kin, and others having claims in respect of the estate of Syria Tuck, late of 42 Downshire-road, Elsternwick, married woman, deceased (who died 28th April, 1947), are to send particulars of their claims to National Trustees, Executors, and Agency Company of Australasia Limited, of 95 Queen-street, Melbourne, by the 30th September, 1947, after which date they will distribute the assets, having regard only to the claims of which it then has notice.

JAMES P. OGGE, LL.B., solicitor, 165 Greville-street, Prahran. 969

MARY MCCORMACK, late of No. 27 Ridgeway-avenue, Kew, in the State of Victoria, spinster, DECEASED.

CREDITORS, next of kin, and others having claims in respect of the estate of the above-named Mary McCormack, deceased (who died on the 14th day of November, 1946), are to send the particulars of their claims to the executors, Alfred Ernest Robert Gibson and Charles William Lyndon Gibson, care of Shaw and Turner, at their address set out below, by the 15th day of September, 1947, after which date they will distribute the assets, having regard only to the claims of which they then have notice.

SHAW & TURNER, solicitors, 94-98 Queen-street, Melbourne. 989

CREDITORS, next of kin, and others having claims in respect of the estate of Alfred Slee Randall, formerly of Daisy-street, Essendon, but late of Bent-street, Moonee Ponds, in the State of Victoria, farmer, deceased, intestate (who died on the 3rd November, 1946), are to send particulars of their claims to George Alfred Randall, care of Raynes, Dickson, Kiddle, and Briggs, of 15 Queen-street, Melbourne, by the 30th September, 1947, after which date he will distribute the assets, having regard only to the claims he then has notice.

RAYNES, DICKSON, KIDDLE, & BRIGGS, solicitors,
15 Queen-street, Melbourne. 987

ALL persons having claims against the property or estate of Louis David Cohen, late of the City of Wellington, in New Zealand, deceased (who died on the 20th day of September, 1946, and probate of whose will was granted to Emily Frances Cohen and The Guardian Trust and Executors Company of New Zealand Ltd., the executors named therein, by the Supreme Court of New Zealand, on the 10th day of October, 1946, and application for reseat of an exemplification of which said probate was granted by the Supreme Court of Victoria, on the 3rd day of July, 1947, to The Perpetual Executors and Trustees Association of Australia Limited, of 100-104 Queen-street, Melbourne, in the State of Victoria, the duly authorized attorney under power of the said executors), are hereby required to send particulars, in writing, of such claims to the said association, on or before the 12th day of September, 1947, after which date the said association will, in pursuance of section 86 of the *Administration and Probate Act 1928*, pay and/or hand over to the said executor the assets of the said deceased which shall have come to its hands or possession, having regard only to the claims of which it shall have had notice.

Dated this 7th day of July, 1947.

RAYNES, DICKSON, KIDDLE, & BRIGGS, 15 Queen-street, Melbourne, proctors for the said association. 988

MINING NOTICES.

ROMA BLOCKS OIL COMPANY NO LIABILITY.

NOTICE is hereby given that all shares in default of Call No. 53 of Two pence per share are forfeited, and will be sold by public auction at the vestibule, Stock Exchange, Little Collins-street, Melbourne, on Wednesday, 23rd July, 1947, at a quarter to Twelve a.m., unless previously paid.

By order of the Board,
L. B. TOMLINS, Manager.

360 Collins-street, Melbourne, C.1, 9th July, 1947. 981

AJAX SOUTH GOLD MINE NO LIABILITY.

NOTICE is hereby given that all shares forfeited for non-payment of the 21st (June) Call of Three pence per share will be sold by public auction at the Stock Exchange Hall, 428 Chancery-lane, Melbourne, at a quarter to Twelve a.m., on Friday, the 18th day of July, 1947, unless redeemed on or before Five p.m., on Thursday, the 17th day of July, 1947.

By order of the Board,
A. E. LLEWELLYN, Manager.

430 Little Collins-street, Melbourne, C.1, 8th July, 1947. 982

DEBORAH EXTENDED GOLD MINING COMPANY NO LIABILITY.

NOTICE—All shares in this company (included in Nos. 1 to 60,000) on which the 19th Call of Six pence per share remains unpaid, are forfeited, and will be sold by public auction at the Stock Exchange, Bendigo, on Thursday, 17th July, 1947, at Four o'clock p.m., unless previously redeemed, as required by the *Companies Act 1938*.

J. J. STANISTREET
925 (McColl, Rankin, and Stanistreet), Manager.

IMPOUNDINGS.

CRANBOURNE.—Impounded at Cranbourne, by Ranger, from Hallams-road, Lyndhurst.

1 brown Jersey cow, stripper, light front quarters, horns turned in, tip off right ear and slits, no visible brand
If not claimed and expenses paid, to be sold on 24th July, 1947.

953—5/4 F. H. CLARK,
Poundkeeper.

DANDENONG.—Impounded at Dandenong.

1 Jersey vealer, no visible brand
1 light Jersey cow, no visible brand
1 bay mare, star and snip, hind feet and near front foot white, no visible brand

If not claimed and expenses paid, to be sold on 24th July, 1947.

994—6/ T. ROOKES,
Poundkeeper.

ECHUCA.—Impounded at Echuca.

1 brown gelding, no visible brand
1 brown or dark bay gelding, white blaze, no visible brand
1 bay gelding, aged, no visible brand

If not claimed and expenses paid, to be sold on 18th July, 1947.

935—5/4 G. J. NEWMAN,
Poundkeeper.

FERN TREE GULLY.—Impounded at Fern Tree Gully, by Shire Ranger.

1 yellow cow, turned-in horns, no visible brand
If not claimed and expenses paid, to be sold on 24th July, 1947.

995—4/8 A. DINSDALE,
Poundkeeper.

LAKE BENETOOK.—Impounded in Lake Benetook Pound (Mildura).

1 bay draught mare, white face, hind feet and near front foot white, saddle marked, no visible brand

If not claimed and expenses paid, to be sold on 24th July, 1947.

992—5/4 S. C. JESSOP,
Poundkeeper.

MEREDITH.—Impounded in Meredith Pound.

10 young steers and heifers, mixed colours, no visible brand
If not claimed within fourteen days, to be sold on 24th July, 1947.

993—4/ A. HEARN,
Poundkeeper.

ROSEDALE.—Impounded at Rosedale.

1 red bullock, V bottom and point off ear, no visible brand
If not claimed and expenses paid, to be sold on 23rd July, 1947.

955—4/ G. FARLEY,
Poundkeeper.

TATURA.—Impounded at Tatura.

1 light-draught bay mare, white blaze down face, white hind legs, shod, no visible brand

If not claimed and expenses paid, to be sold on 24th July, 1947.

934—4/8 L. THORNTON,
Poundkeeper.

TRARALGON.—Impounded at Traralgon, by Road Ranger, from Shire roads, on 29th June, 1947.

1 fawn Jersey yearling bull, full ears, like AS (conjoined) sideways off rump

If not claimed and expenses paid, to be sold on 28th July, 1947.

957—5/4 ADAM WILSON,
Poundkeeper.

AGENTS FOR THE "VICTORIA GOVERNMENT GAZETTE."

THE following have been appointed agents to receive Advertisements and subscriptions for the *Victoria Government Gazette*:—

- ARMSTRONG'S AGENCY, 143 Queen-street, Melbourne.
- MESSRS. ARNALL & JACKSON, 115 Barkly-street, West Brunswick.
- MESSRS. GORDON & GOTCH, News Agents, 511 Little Collins-street, Melbourne; and corner Barrack and Clarence streets, Sydney.
- MESSRS. HARSTON, PARTRIDGE, & CO., 455 Little Collins-street, Melbourne.
- N. V. NIXON & CO., 20 Queen-street, Melbourne.
- THE PATON ADVERTISING SERVICE PTY. LTD.
- ROBERTSON & MULLENS LTD., Elizabeth-street, Melbourne.
- MESSRS. W. H. WADDELL and A. S. RICHARDSON, trading as the Mercantile Exchange, 380 Collins-street, Melbourne.
- MR. A. J. DIGBY, News Agent, Bairnsdale.
- MR. M. R. BADE, Tobacconist, Sturt-street, Ballarat.
- TRIGG'S NEWS AGENCY, Hargreaves-street, Bendigo.
- MR. G. H. K. PAYNE, 4 View Point, Bendigo.
- MR. C. F. LATIMER, News Agent, Casterton.
- MESSRS. HENRY FRANKS & CO., Booksellers and Stationers, Market-square, Geelong.
- MESSRS. SMITH & DUNNON, Hamilton.
- ARMSTRONG BROS., Kyneton.
- MR. W. M. DAVIS, Mildura.
- PIKE'S AUTHORIZED NEWS AGENCY, Sale.
- MR. C. T. RUST, News Agent, Wangaratta.
- MR. F. T. McCORMICK, Nunn-street, Benalla.
- W. GORDON HAMPTON, 243 Mitchell-street, Bendigo.
- R. & A. SMALLMAN, News Agents, Toora.

A copy of the *Gazette* filed at each place for public reference.

THE "VICTORIA GOVERNMENT GAZETTE."

SUBSCRIPTIONS.—*The subscription, including Postage, is £1 12s. 6d. per annum, 16s. 3d. half-yearly, or 8s. 2d. per quarter, payable in advance.*

Subscriptions are required to commence and terminate with a month.

A lesser period than three months cannot be subscribed for.

Subscribers do not receive the Acts of Parliament with the GAZETTE.

ADVERTISEMENTS are charged at the rate of EIGHT PENCE per line single column, and ONE SHILLING and FOUR PENCE per line double column.

The title (£5 Reward, Dissolution of Partnership, &c.) forms one or more lines as a heading.

On an average, ten words make a line.

Every signature must likewise be counted as a line.

The final words of a paragraph, though only portion of a line must be counted as one line.

SIGNATURES (in particular) and proper names must be written very plainly in the text; ONE SIDE ONLY of each slip of paper should be WRITTEN UPON.

ALL COMMUNICATIONS should be addressed to "The Government Printer, Melbourne."

ALL DOCUMENTS illegibly written will be returned unpublished, and, where brands occur unprovided for by the ordinary letters of the alphabet, a worded explanatory description must be furnished.

THE VICTORIA GOVERNMENT GAZETTE is published on WEDNESDAY EVENING in each week, and Notices for insertion will be received by the Government Printer at or before Two p.m., at ordinary rates, and late advertisements between Two p.m. and Five p.m. at double rates on the day preceding the day of publication.

Single copies of the VICTORIA GOVERNMENT GAZETTE are Six pence, posted Eight pence, each.

No GAZETTES prior to January, 1936, in stock.

***ALL PAYMENTS ARE REQUIRED IN ADVANCE.—Remittances should be made by postal note, money order, or draft in favour of the Government Printer. Advertisements unaccompanied by a remittance sufficient to cover the cost of insertion will be returned unpublished.

CONTENTS

	PAGE
Appointments	3590
Auction Sales Act	3615
Contracts	3615
Country Roads Board	3628, 3639
Courts	3599, 3615
Estates of Deceased Persons	3600
Farm Produce Agents' Acts—List of Licences Issued for 1947	3611
Government Notices	3599
Impoundings	3651
Lands	3639
Licences to Occupy Unused Roads	3609
Melbourne and Metropolitan Board of Works—By-law No. 41	3610
Mining	3615, 3651
Orders in Council	3616
Private Advertisements	3644
Proclamations	3589
Public Holidays	3599
Public Service Notices	3590
Resignations	3590
Seeds Act 1928 and 1935—Regulations	3617
State Rivers and Water Supply Commission	3610
Stay Order	3615
Tenders	3643
Transport Regulation Board—Public Hearings	3597
Victorian Railways—By-law No. 351	3601
Waterworks Trusts	3610