

[1853]



VICTORIA GOVERNMENT GAZETTE.

Published by Authority.

[Registered at the General Post Office, Melbourne, for transmission by post as a newspaper.]

No. 285]

WEDNESDAY, MARCH 23.

[1949

Country Fire Authority Acts.

VARIATION OF SUMMER PERIOD IN RESPECT OF SPECIFIED PARTS OF THE COUNTRY AREA OF VICTORIA.

PROCLAMATION

By His Excellency the Lieutenant-Governor of the State of Victoria and its Dependencies in the Commonwealth of Australia, &c., &c., &c.

WHEREAS by sub-section two of section four of the *Country Fire Authority Act 1944*, it is enacted that the Governor in Council, after consultation by the Chief Secretary of Victoria with the Minister of Forests, may from time to time by Proclamation published in the *Government Gazette* proclaim any period as the summer period in respect of the country area of Victoria, or any specified part or parts thereof and, without affecting the generality of the foregoing, may proclaim different summer periods in respect of different parts of the said country area:

And whereas by the said sub-section, it is further enacted that any Proclamation so published shall remain in force until revoked, amended, or varied by a subsequent Proclamation so published:

And whereas by Proclamations issued on the thirtieth day of November, 1948; the third day of December, 1948; the thirteenth day of December, 1948; and the twenty-first day of December, 1948, and published in the *Government Gazette* of the first day, the eighth day, the fifteenth day, and the twenty-second day of December, 1948, respectively, different summer periods expiring on the thirty-first day of March, 1949, were proclaimed in respect of different parts of the country area of Victoria, including the parts of the said country area specified in the Schedule hereto:

And whereas it is deemed expedient that the aforesaid Proclamations should be varied in the manner hereinafter described:

And whereas the Chief Secretary and the Minister of Forests have consulted accordingly:

Now therefore I, the Lieutenant-Governor of the State of Victoria, in the Commonwealth of Australia, by and with the advice of the Executive Council of the said State, and in pursuance of the powers conferred by the Country Fire Authority Acts, do by this my Proclamation vary the aforesaid Proclamations by proclaiming that the

summer period in respect of the parts of the country area of Victoria which are specified in the Schedule hereto shall end on the twenty-third day of March, 1949.

SCHEDULE.

The Fourth Fire Control Region, comprising the municipal districts of the Borough of Portland and the Shires of Glenelg, Portland, and Wannon.

The Fifth Fire Control Region, comprising the municipal districts of the City of Warrnambool, the Town of Hamilton, the Boroughs of Kororoit and Port Fairy, and the Shires of Belfast, Dundas, Minhamite, Mount Rouse, Mortlake, and Warrnambool.

The Twelfth Fire Control Region, comprising the municipal districts of the Shires of Alexandra, Mansfield, and Yea.

The Thirteenth Fire Control Region, comprising the municipal districts of the Shires of Fern Tree Gully, Healesville, and Upper Yarra, and certain portions of the municipal districts of the Shires of Eltham and Lillydale.

The Fourteenth Fire Control Region, comprising the municipal districts of the City of Chelsea, and the Shires of Bacchus Marsh, Broadford, Bulla, Dandenong, Gisborne, Kilmore, Melton, Newham and Woodend, and Romsey, and certain portions of the municipal districts of the Cities of Heidelberg and Moorabbin, and the Shires of Braybrook, Broadmeadows, Doncaster and Templestowe, Keilor, Mulgrave, Werribee, and Whittlesea.

Those portions of the Seventeenth Fire Control Region comprising the municipal districts of the Shires of Arapiles and Kowree.

The Twenty-fourth Fire Control Region, comprising the municipal districts of the Shires of Beechworth, Bright, Chiltern, Towong, Upper Murray, Wodonga, and Yackandandah.

Given under my Hand and the Seal of the State of Victoria aforesaid, at Melbourne, this twenty-second day of March, in the year of our Lord One thousand nine hundred and forty-nine, and in the thirteenth year of the reign of His Majesty King George VI.

(L.S.)

E. F. HERRING.

By His Excellency's Command,

W. WATT LEGGATT.

Chief Secretary.

GOD SAVE THE KING!

BANK HALF-HOLIDAY.

PROCLAMATION

By His Excellency the Lieutenant-Governor of the State of Victoria and its Dependencies in the Commonwealth of Australia, &c., &c., &c.

IN pursuance of the provisions of the Banks and Currency Acts, I, the Lieutenant-Governor of the State of Victoria, in the Commonwealth of Australia, do by this my Proclamation appoint the day and date named hereunder a special day to be observed as a Bank Half-Holiday at the place mentioned, that is to say:—

Bank Half-Holiday from the Hour of Twelve o'clock noon:—

TUESDAY, THE 5TH DAY OF APRIL, 1949, at Terang.

Given under my Hand and the Seal of the State of Victoria aforesaid, at Melbourne, this twenty-second day of March, in the year of our Lord One thousand nine hundred and forty-nine, and in the thirteenth year of the reign of His Majesty King George VI.

(L.S.) E. F. HERRING.

By His Excellency's Command,

W. WATT LEGGATT,
Chief Secretary.

GOD SAVE THE KING!

PUBLIC HOLIDAYS.

PROCLAMATION

By His Excellency the Lieutenant-Governor of the State of Victoria and its Dependencies in the Commonwealth of Australia, &c., &c., &c.

IN pursuance of the provisions contained in Part III. of the *Public Service Act 1946* (10 Geo. VI. No. 5124), I, the Lieutenant-Governor of the State of Victoria, in the Commonwealth of Australia, by and with the advice of the Executive Council of the said State, do by this my Proclamation appoint the days and dates hereunder mentioned to be observed as a Public Holiday or Public Half-Holidays (as the case may be) at the places respectively specified, viz.:—

Public Holiday:—

*WEDNESDAY, THE 23RD DAY OF MARCH, 1949, throughout the Shire of Flinders.

Public Half-Holidays from the Hour of Twelve o'clock noon:—

TUESDAY, THE 5TH DAY OF APRIL, 1949, throughout the Townships of Terang, Noorat, and Glenormiston, and that part of the Township of Kolora which is within the Shire of Hampden.

THURSDAY, THE 5TH DAY OF MAY, 1949, throughout the City of Warrnambool.

* Agricultural Show.

Given under my Hand and the Seal of the State of Victoria aforesaid, at Melbourne, this fifteenth day of March, in the year of our Lord One thousand nine hundred and forty-nine, and in the thirteenth year of the reign of His Majesty King George VI.

(L.S.) E. F. HERRING.

By His Excellency's Command,

W. WATT LEGGATT,
Chief Secretary.

GOD SAVE THE KING!

(Published in lieu of a Proclamation appearing in the *Government Gazette* of the 16th March, 1949, at page 1736.)

PUBLIC HALF-HOLIDAYS.

PROCLAMATION

By His Excellency the Lieutenant-Governor of the State of Victoria and its Dependencies in the Commonwealth of Australia, &c., &c., &c.

IN pursuance of the provisions contained in Part III. of the *Public Service Act 1946* (10 Geo. VI. No. 5124), I, the Lieutenant-Governor of the State of Victoria, in the Commonwealth of Australia, by and with the advice of the Executive Council of the said State, do by this my Proclamation appoint the days and dates hereunder mentioned to be observed as Public Half-Holidays at the places respectively specified, viz.:—

Public Half-Holidays from the Hour of Twelve o'clock noon:—

WEDNESDAY, THE 20TH DAY OF APRIL, 1949, throughout the City of Bendigo.

THURSDAY, THE 5TH DAY OF MAY, 1949, throughout the Borough of Koroit.

Given under my Hand and the Seal of the State of Victoria aforesaid, at Melbourne, this twenty-second day of March, in the year of our Lord One thousand nine hundred and forty-nine, and in the thirteenth year of the reign of His Majesty King George VI.

(L.S.) E. F. HERRING.

By His Excellency's Command,

W. WATT LEGGATT,
Chief Secretary.

GOD SAVE THE KING!

EASTER HOLIDAYS.

IT is hereby notified that on—

FRIDAY, THE 15TH,
SATURDAY, THE 16TH,
MONDAY, THE 18TH, and
TUESDAY, THE 19TH DAYS OF APRIL, 1949,

the Public Offices will be closed, such days being appointed by the *Public Service Act 1946* to be observed as holidays in the Public Offices throughout Victoria.

W. WATT LEGGATT,
Chief Secretary.

Chief Secretary's Office,
Melbourne, 17th March, 1949.

PUBLICATION OF THE "GOVERNMENT GAZETTE."

IT is hereby notified that, owing to the appointment of the Easter Holidays, the *Government Gazette* will be published on—

FRIDAY, THE 22ND APRIL, 1949,
in lieu of Wednesday, the 20th April, 1949.

J. J. GOURLEY,
Government Printer.
Melbourne, the 17th March, 1949.

APPOINTMENTS.

HIS Excellency the Lieutenant-Governor of the State of Victoria, by and with the advice of the Executive Council thereof, has, by Orders made on the 15th day of March, 1949, been pleased to make the under-mentioned appointments, viz.:—

DEPARTMENT OF CHIEF SECRETARY.
Officer in Charge of Gaol (Acting).

JOHN MOORE,
pursuant to the provisions of the *Gaols Act 1928*, to be Officer in Charge (Acting) of the Sale Gaol, from the 14th March, 1949, to the 3rd April, 1949, both dates inclusive, during the absence on leave of Edwin Gordon McMillan.

DEPARTMENT OF FORESTS.
Forests Commissioner.

ALFRED OSCAR PLATT LAWRENCE, B.Sc. (Adel.), Dip.For. (Oxon.), Dip.For. (Can.),
to be a Forests Commissioner for the period ending 31st December, 1950, in pursuance of the provisions of section 9 of the *Forests Act 1928*.

DEPARTMENT OF LAW.
Acting Public Trustee.

HAROLD CARTER CHIPMAN
to be Acting Public Trustee, pursuant to the provisions of section 6 of the *Public Trustee Act 1939*, during the absence on annual leave of C. J. Gardner from the 25th March, 1949, to the 14th April, 1949, both dates inclusive.

Assistant Registrars of Titles.

CRAWFORD GEORGE HAWORTH MCALIECE, GILBERT LEONARD DAY, and HUGH MITCHELL CLYNE, officers of the Office of Titles, Melbourne,
to be also Assistant Registrars of Titles, pursuant to the provisions of section 8 of the *Transfer of Land Act 1928*.

Clerks of Children's Courts.

HAROLD EDWARD DALY
to be also Clerk of the Children's Court at Nhill, Dimboola, Jeparit, Kaniva, and Rainbow, in the place of G. Leahy, relieved;

GERALD LEAHY
to be also Clerk of the Children's Court at Ouyen, Murrayville, and Woomelang, in the place of L. F. Froude, transferred; and

LEO FRANCIS FROUDE
to be also Clerk of the Children's Court at Warracknabeal, Beulah, Hopetoun, and Minyip, in the place of J. E. Kean, relieved.

Clerk of the Peace, &c.

JOHN EDMOND KEAN
to be Clerk of the Peace for the Eastern Bailiwick, Registrar of the County Court, Clerk of the Court of Mines, Clerk of Petty Sessions and Clerk of the Children's Court at Bairnsdale, and Clerk of Petty Sessions and Clerk of the Children's Court at Bruthen, Cann River, Lakes Entrance, Lake Tyers, and Orbost, during the absence on annual leave of M. L. Killeen; and as Clerk of the Peace and Registrar of the County Court at Bairnsdale, to be appointed by virtue of section 92 of the *Juries Act 1928*, to do and perform with respect to the courts at that place, in the place and stead of the Sheriff, all such acts and things as the Sheriff is, by the said Act, authorized or required to do or perform, during the absence on annual leave of M. L. Killeen.

Clerk of Petty Sessions, &c.

JOSEPH LEO BROPHY
to be also Clerk of Petty Sessions and Clerk of the Children's Court at Eltham, during the absence on annual leave of F. X. Clancy.

Commissioner for Taking Declarations, &c.

FREDERIC MACARTHUR MORTYIN, Shire Secretary, Shire of Stawell, Stawell,
to be a Commissioner for taking Declarations and Affidavits, pursuant to the provisions of Division 8 of Part IV. of the *Evidence Act 1928*, to resign upon ceasing to occupy his present position.

Deputy Prothonotary, &c.

FRANCIS LEO MCSWEENEY
to be also Deputy Prothonotary and Clerk of the Children's Court at Bendigo, during the absence on annual leave of W. P. Walsh; and as Clerk of the Peace and Registrar of the County Court at Bendigo, to be appointed by virtue of section 92 of the *Juries Act 1928*, to do and perform with respect to the courts at that place, in the place and stead of the Sheriff, all such acts and things as the Sheriff is, by the said Act, authorized or required to do or perform, during the absence on annual leave of W. P. Walsh.

Magistrates.

WILLIAM REGINALD ATKINSON, 225 Franklin-street, Melbourne,
CLARENCE JAMES EDWARD POLLOCK, Secretary, Lands Department,
NOLA ISABEL CONSTANCE BARBER, 2 Foster-street, Aspendale,
WILLIAM ROBERT GORDON LONGMUIR, 7 Constance-street, Hawthorn,
FRANK ELLIOT TRENOWETH TRUE, 111 Collins-street, Melbourne, and
SIDNEY GELLATLY LYALL, Queen Victoria Market, Melbourne,
to Keep the Peace in the Central Bailiwick of the State of Victoria;

ALLAN HEDLEY, Drouin South,
to Keep the Peace in the Eastern Bailiwick of the State of Victoria;

CECIL ROY COBBY, Mt. Beauty,
to Keep the Peace in the Northern Bailiwick in the State of Victoria; and

FRANCIS PAUL WALSHE, Echuca,
NATHANIEL DOONAN, Mooroopna, and
JOHN CARLYLE GRIFFITHS MORRISON, Kyneton,
to Keep the Peace in the Midland Bailiwick in the State of Victoria.

Probation Officer.

PATRICK EDWARD DUFF GASON, St. Paul's Rectory, Birchip,
to be a Probation Officer, pursuant to the provisions of section 8 of the *Children's Court Act 1928*, for the Children's Court at Birchip.

DEPARTMENT OF TREASURER.
Collectors of Imposts (Acting).

JAMES ARCHIBALD SCOTT
to act temporarily as Collector of Imposts, State Accident Insurance Office and State Motor Car Insurance Office, during the absence of W. J. Cahill on leave; and

MURIEL MCMEEKIN
to act temporarily as Collector of Imposts, Hospitals and Charities Commission, during the absence of S. G. P. Bradbury on leave.

Receiver of Revenue (Acting).

FRANCIS LEO MCSWEENEY
to act temporarily as Receiver of Revenue, Bendigo, during the absence of W. P. Walsh on leave.

DEPARTMENT OF WATER SUPPLY.
Waterworks Trust Commissioners.

DAVID BLOODWORTH
to be a Commissioner of the Nagambie Waterworks Trust, and to hold office as such for a period of four years from the date hereof, subject to the provisions of the Water Acts; and

WILLIAM EDWARD HEYWOOD
to be a Commissioner of the Seymour Waterworks Trust, and to hold office as such for a period of four years from the date hereof, subject to the provisions of the Water Acts.

A. MAHLSTEDT,
Clerk of the Executive Council.

At the Executive Council Chamber,
Melbourne, 15th March, 1949.

MARINE ACT 1928.

THE following Roll of the names, &c., of all people who are licensed to act as Pilots for the Ports of Port Phillip and Melbourne respectively, and entitled as such to vote for the election of a Member under the provisions of the *Marine Act 1928*, is published in accordance with the 30th section of the said Act.

J. A. KENNEDY,
Commissioner of Public Works.

Public Works Department,
Melbourne, 7th March, 1949.

Number on Roll.	Name.	Address.
1	Balharrie, William Graham	Williamstown
2	Chaffers, Sidney	Williamstown
3	Chapman, William	Williamstown
4	Denniston, Robert Blair	Williamstown
5	Dingle, Charles Russell	Williamstown
6	Duckett, George Stanley	Williamstown
7	Dunn, Frederick Charles Leslie	Williamstown
8	Dymock, Ian Bruce	Williamstown
9	Eglen, William Edward	Queenscliff
10	Fellowes, William Robertson	Williamstown
11	Fraser, Roderick Alexander	Queenscliff
12	Goss, Colin Ernest	Williamstown
13	Hackworth, Cedric James	Williamstown
14	Jackson, Andrew Ross	Williamstown
15	Martin, George Henry	Williamstown
16	Molyneux, George Arthur	Williamstown
17	Murray, Allen	Williamstown
18	Paul, Basil	Williamstown
19	Roberts, James	Queenscliff
20	Stein, Ernest Anton	Williamstown
21	Tregale, Maurice Robert	Williamstown
22	Turner, Robert Neil	Williamstown
23	Walker, John Emslie	Williamstown
24	Young, Jack Oliver Victor	Queenscliff

R. S. ROHNER,
Secretary.

Marine Board of Victoria,
7th March, 1949.

Transport Regulation Acts.

TRANSPORT REGULATION BOARD.

NOTICES OF PUBLIC HEARINGS.

NOTICE is hereby given that the applications made by the persons named below for licences to operate the commercial goods vehicles on the route or routes, or in a manner set out opposite their names, will be heard at a time and place to be communicated to the parties concerned:—

Name of Applicant; Nature of Application.

BENDIGO STEAM LAUNDRY, 378 Hargreaves-street, Bendigo; 1 commercial goods vehicle (15 cwt.) for the carriage of goods in the course of business as "launderers"—(a) within a 25 miles radius of Bendigo, (b) from and to Bendigo to and from Woodend, via Castlemaine and Malmsbury.

CLIFF & BUNTING PTY. LTD., 29 Flemington-road, North Melbourne; 2 commercial goods vehicles (12 and 20 cwt.) for the carriage of spare parts and tools of trade required for the servicing and maintenance of agricultural implements and farm machinery throughout the State of Victoria.

CORBETT, W. J., Woomelang; application for variation of the conditions of licence No. D.4622, to include the right to operate for the carriage of red gum from Koondrook to Woomelang, via Kerang, Swan Hill, and Sea Lake.

DOUGLAS, S. A., & SONS, 53 Dundas-street, Maryborough; 1 commercial goods vehicle (170 cwt.) for the carriage of—(a) general goods within a 20 miles radius of Maryborough, (b) building materials, viz., timber, tiles, bricks, cement, &c., within a 40 miles radius of Maryborough.

EMBERY, D., Corryong; 1 commercial goods vehicle (155 cwt.) for the carriage of—(a) general goods within a 20 miles radius of Corryong, (b) live stock within a 50 miles radius of Corryong.

GRIFFEN, C. J., Red Cliffs; 1 commercial goods vehicle (99 cwt.) for the carriage of—(a) general goods within a 20 miles radius of Red Cliffs, (b) firewood, pine posts, and rack ends within a 50 miles radius of Red Cliffs.

HOFFMAN, M. K., Navarre; 1 commercial goods vehicle (94 cwt.) for the carriage of road contracting plant and material throughout the State of Victoria.

KEITH, F. C., 14 Anderson's-road, Hawthorn; 1 commercial goods vehicle (90 cwt.) for the carriage of—(a) general goods within a 25 miles radius of Melbourne, (b) bricks within a 40 miles radius of Melbourne.

LANGLANDS, D. G., 1 Kenny-street, Richmond; 1 commercial goods vehicle (25 cwt.) for the carriage of own goods in the course of business as "printer" throughout the State of Victoria.

RYAN, E. J., 19 Purcell-street, Benalla; 1 commercial goods vehicle (80 cwt.) for the carriage of road contracting plant and material throughout the State of Victoria.

T. & T. PLUMBING SERVICE, 62 St. George's-road, Elsternwick; 1 commercial goods vehicle (12 cwt.) for the carriage of materials and tools of trade in the course of business as "plumbers" throughout the State of Victoria.

WEST GIPPSLAND ICE SUPPLY, Longwarry; 1 commercial goods vehicle (90 cwt.) for the carriage of—(a) general goods within a 20 miles radius of Longwarry, (b) empty bottles, crates, and soft drinks in the course of business as "soft drink retailer" from and to Longwarry to and from Melbourne.

NOTICE is hereby given that the applications made by the persons named below for licences to operate the commercial passenger vehicles on the route or routes, or in the manner set out opposite their names, will be heard at a time and place to be communicated to the parties:—

Name of Applicant; Nature of Application.

GAINGER, A. R. & L. (trading as Gainger Bros.), 205 Murray-street, Colac; 1 commercial passenger vehicle, to be purchased, to operate for the carriage only of school children between Hordern Vale and Lavers Hill, via Glen Aire, and under charter conditions within a 20 miles radius of Colac, and to Winchelsea, Beech Forest, Lavers Hill, Cobden, Cressy, Lorne, Apollo Bay, and Ballarat.

HENSHAW, A. D., 385 Pt. Nepean-road, Mordialloc; 1 commercial passenger vehicle, with seating capacity for 5 persons, to operate as follows:—(a) Separate and distinct fares within a 5 miles radius of Mordialloc Railway Station, (b) under private hire conditions within a 50 miles radius of Mordialloc Railway Station (subject to the cancellation of licence No. A.2371, at present held by E. C. Kee, Mordialloc).

HOGAN, T. F., Emerald; 1 commercial passenger vehicle, with seating capacity for 7 persons, to operate as follows:—(a) Separate and distinct fares within a 5 miles radius of Emerald, (b) under private hire conditions within a 50 miles radius of Emerald, (c) between Emerald and Dandenong, via Clematis, Old Narre Warren, and Hallam, on market days only. Depart Emerald 10 a.m. Depart Dandenong 3.30 p.m.

This application is not in substitution for application gazetted on 19th January, 1949, but is an alternate application.

LANE, A. L., 159 Raglan-parade, Warrnambool; application for variation of licence No. A.1390, to include the ability to operate as follows:—

(a) Under charter conditions from Lismore to Lake Bolac, Camperdown, Cobden, Colac, Cressy, Mortlake, and Terang.

(b) At separate and distinct fares between Lismore and the Camperdown, Noorat, Mortlake, and Colac Showgrounds on Show Days only.

(c) At separate and distinct fares between Lismore and the Camperdown, Colac, Terang, Mortlake, and Ballarat Racecourses on race days only.

(d) Day tours as follows:—

Lismore—Grampians.

Lismore—Daylesford, including Hepburn Springs.

Lismore—Ballarat.

Lismore—Warrnambool.

Lismore—Port Campbell, via Peterborough, return via Timboon.

Lismore—Camperdown.

Lismore—Geelong.

Lismore—Colac.

(e) For the carriage only of school children from the Camperdown schools to Terang, Warrnambool, and Colac as required, and on educational excursions within a 20 miles radius of Camperdown, as required.

LOHREY, E. H. J. (trading as Hurstbridge Bus and Hire Service), Hurstbridge; 1 commercial passenger vehicle, to be purchased, with approximate seating capacity for 17 persons, to operate as follows:—(a) Between Hurstbridge Railway Station and St. Andrew's Post Office, via Cottle's Creek Bridge-road, (b) between Hurstbridge Railway Station and Wattle Glen Railway Station, via Cherry Tree-road, Flat Rock-road, and Silvan-road, or alternatively via Cottle's Bridge, Flat Rock-road, and Silvan-road, (c) under charter conditions within a 20 miles radius of Hurstbridge, and to Warburton and Seymour.

This application replaces application previously gazetted on 23rd February, 1949.

LOHREY, E. H. J. (trading as Hurstbridge Bus and Hire Service), Hurstbridge; application for variation of licences Nos. A.2356 and A.2432, to include the ability to operate as additional vehicles only on routes (a) and (b) of application as above.

ORGAN, R. W., Yaldwin-street, Kyneton; application for variation of licence No. TA.2775, to include the ability to operate a "picture trip" between Riddell and Romsey, via Monegeetta, on Wednesdays only as follows:—

Depart Riddell 7.15 p.m.

Depart Monegeetta 11 p.m.

Fares—Riddell—Romsey 3s. return, Monegeetta—Romsey 2s. return.

PLUMBRIDGE, G. J., & W. A. WILTSHIRE, Blackwood, via Trentham; 1 commercial passenger vehicle, to be purchased, with approximate seating capacity for 7 persons, to operate as follows:—(a) Separate and distinct fares within a 5 miles radius of Blackwood, (b) under private hire conditions within a 50 miles radius of Blackwood.

READ, D. J., & F. T. N. BRACK (trading as Read & Brack), 2 Nunn-street, Benalla; application for variation of licence No. A.1931, to include the ability to operate as follows:—

(a) Day tours as set out below—

1. Benalla, Swanpool, Tatong, Dodd's Crossing, Tatong, Molyullah, and Benalla. Fare, 8s.
 2. Benalla, Glenrowan, Molyullah, Tatong, Swanpool, and Benalla. Fare, 8s.
 3. Benalla, Mansfield, Tolmie, Tatong, and Benalla. Fare, 12s.
 4. Benalla, Mansfield, Murton, Strathbogie, Euroa, and Benalla. Fare, 15s.
 5. Benalla, Goorambat, Yarrawonga, Peechelba, Wangaratta, and Benalla. Fare, 15s.
 6. Benalla, Tatong, Swanpool, and Benalla. Fare, 5s.
 7. Benalla, Wangaratta, Myrtleford, Bright, and Benalla. Fare, 20s.
 8. Benalla, Wangaratta, Myrtleford, Yackandandah, Beechworth, Wangaratta, and Benalla. Fare, 17s. 6d.
 9. Benalla, Wangaratta, Bright, Tawonga, Bogong, Wodonga, and Benalla. Fare, 30s.
 10. Benalla, Tatong, Tolmie, Power's Lookout, Whitlands, Whitfield, Moyhu, and Benalla. Fare, 15s.
- (b) Under charter conditions from Benalla to Wangaratta, Cobram, Tungamah, and Beechworth.
- (c) Separate and distinct fares to dances within a 20 miles radius of Benalla, and of Wangaratta, Shepparton, Mansfield, and Euroa.

SHERRY, T. E., F. L., & F. P. (trading as Sherry Bros.), 96 McCrae-street, Dandenong; application for variation of licences Nos. A.1434, A.1890, A.2075, A.2448, and "A" licence applied for, to include the ability to operate as follows:—(a) Interchangeably with vehicles on the Dandenong East and West stage omnibus service, (b) under charter conditions from Dandenong to Rosebud, Arthur's Seat, Sorrento, Portsea, Cape Schanck, Flinders, Balnarring, Stony Point, Hastings, Corinella, San Remo, Wonthaggi, Inverloch, Waratah, Tarra Valley, Bulga Park, Lakes Entrance, Walhalla, Wood's Point, Warburton, Yarra Glen, Kinglake, Whittlesea, Hurstbridge, Wonga Park, Balwyn Wild Life Sanctuary, Geelong, and Daylesford.

SHERRY, T. E., F. L., & F. P. (trading as Sherry Bros.), 96 McCrae-street, Dandenong; 1 commercial passenger vehicle, with seating capacity for 18 persons, to operate as an additional vehicle on Dandenong town bus service.

SHERRY, T. E., F. L., & F. P. (trading as Sherry Bros.), 96 McCrae-street, Dandenong; application for variation of licence No. A.1891, to include the ability to operate under charter conditions within a 20 miles radius of Iona, Cora Lynn, Koo-wee-rup, North Cardinia, Clyde North, and Dandenong, and to Rosebud, Sorrento, Balnarring, Hastings, San Remo, Inverloch, Tarra Valley, Bulga Park, Warburton, Donna Buang, Marysville, Yarra Glen, Kinglake, Hurstbridge, Warrandyte, and Balwyn Sanctuary.

SHERRY, F. P., 96 McCrae-street, Dandenong; 1 commercial passenger vehicle, with seating capacity for 27 persons, to operate between Iona and Dandenong Railway Station (subject to the cancellation of licence No. A.1891, at present held by Sherry Bros., Dandenong).

SHERRY, F. P., 96 McCrae-street, Dandenong; 1 commercial passenger vehicle, to be purchased, to operate between Dandenong Railway Station and Wonga Park, via Foster-street, Cleland-street, Lonsdale-street, Prince's Highway, Gladstone-road, Police-road, Jackson-road, Wellington-road, and Stud-road, to Bayswater, thence to Croydon, thence via Kent-avenue and Yarra-road to Warrandyte and Wonga Park. Depart Dandenong daily at 7 a.m. and 3 p.m. Depart Wonga Park daily at 8.40 a.m. and 4.45 p.m. Through fare, 5s. single.

TAYLOR, E. I., Leongatha; application for variation of licence No. A.1530, to include the ability to operate at separate and distinct fares from Leongatha to Inverloch, Wonthaggi, Tarwin, Cowes, Korumburra, Poowong, Warragul, Mirboo North, Koonwarra, Meenyan, Trafalgar, Dumbalk, Fish Creek, and Foster.

THOMAS, V. H., 27A Alma-street, Maryborough; 1 commercial passenger vehicle, to be purchased, to operate as follows:—(a) Interchangeably with licensed vehicles Nos. A.1322 and A.1323, (b) separate and distinct fares to dances and sports meetings from Maryborough to Dunolly, Bealiba, Tarnagulla, Eddington, Laanecoorie, Maldon, Moolert, Baringhup, Newstead, Majorca, Talbot, Clunes, Creswick, Lexton, Wareek, Avoca, Natte Yallock, and Amphitheatre, (c) "picture trip" from Talbot to Maryborough on Saturday nights only, (d) "shopping trip" between Talbot and Maryborough on Friday afternoons only, (e) under charter conditions within a 20 miles radius of Maryborough, and to Creswick, Burrumbeet, Waubra, Beaufort, Macedon, Kyneton, and Mt. Macedon, (f) day tours from Maryborough to Geelong, Hall's Gap, Queenscliff, Port Fairy, Lorne, Apollo Bay, Port Campbell, Warrnambool, and Portland.

UNDERWOOD, L. G., Anderson-street, Euroa; 1 commercial passenger vehicle, with seating capacity for 24 persons, to operate as follows:—(a) For the carriage only of school children between Strathbogie and Euroa, (b) under charter conditions within a 20 miles radius of Euroa, and to Yea, Seymour, Broadford, Alexandra, Shepparton, Benalla, and Mansfield, (c) day tour from Euroa to Mt. Buffalo and return.

WEDGE, D. E., Curdie-street, Cobden; application for variation of licences Nos. A.2114, A.329, A.328, A.2354, A.2351, and A.1703, as follows:—

(a) To operate the same day tours as at present authorized on Sundays and Saturdays and public holidays.

(b) To operate the following additional day tours, to commence from Camperdown and/or Cobden on Saturdays, Sundays, and public holidays:—

1. Port Fairy, via Prince's Highway, and returning via same route. Fare, 10s.
2. Warrnambool, via Prince's Highway, and returning via same route. Fare, 7s. 6d.
3. Port Campbell, via Newfield, and returning via Lockhart Gorge and Newfield. Fare, 7s. 6d.
4. Lorne, via Colac, Birregurra, and returning via same route. Fare, 11s.
5. Apollo Bay, via Kennedy's Creek. Fare, 12s. 6d.
6. Queenscliff, via Prince's Highway and Geelong, return via same route. Fare, 15s.
7. Geelong, via Prince's Highway. Fare, 12s. 6d.
8. Anglesea, via Colac and Lorne, and return via same route. Fare, 15s.
9. Torquay, via Colac, Lorne, and Ocean-road, returning via same route. Fare, 15s.

A PPLICATIONS for licences to operate commercial passenger vehicles, with seating capacity for 5 persons, for the carriage of passengers otherwise than at separate and distinct fares for each passenger throughout Victoria:—

HENSHAW, A. D., Mordialloc (subject to the cancellation of licences Nos. PH.817 and PH.1582, at present held by E. C. Kee, Mordialloc)—two vehicles.

MOLONEY, R. W., Pakenham East (subject to the cancellation of licence No. PH.200, at present held by S. Rands, Pakenham East).

MOONEY, D. J., Maryborough (subject to the cancellation of licence No. PH.591, at present held by P. D. Mounsey, Maryborough).

PLEYDELL, C., Seaford (subject to the cancellation of licence No. PH.978, at present held by L. C. Edwards, Seaford).

ROBERTS, R. J., Echuca (subject to the cancellation of licence No. PH.1029, at present held by J. A. Chalmers, Echuca).

WHITTY, J. E., Finley, N.S.W.

Notice of any objection should be forwarded to reach the Secretary to the Board not later than Wednesday, 6th April, 1949.

E. V. FIELD,
Secretary.

Exhibition Buildings, Rathdown-street, Carlton, N.3,
22nd March, 1949.

Prices Regulation Act 1948.

NOTICE OF DELEGATION OF POWERS OF COMMISSIONER.

NOTICE is hereby given that, by writing under my hand dated the twenty-first day of March, 1949, I, John Francis Waldron, Prices Decontrol Commissioner under the *Prices Regulation Act 1948*, have, in pursuance of the powers conferred upon me by section 53 of the Act, delegated to each of Clement Ludwig John Hotton and Thomas Gerard Gleeson, officers of the Victorian Prices Branch, Melbourne, the following powers and functions, that is to say:—

All the powers and functions of the Prices Decontrol Commissioner—

- (a) under the provisions of any Prices Regulation Order issued prior to or subsequent to such delegation insofar as such provisions relate to the fixing of maximum prices, maximum rates, or maximum remuneration, by notice in writing; and
- (b) under section 22 (2) (a) of the *Prices Regulation Act 1948*.

J. F. WALDRON,
Prices Decontrol Commissioner.

Dairy Products Acts.

QUOTAS FOR BUTTER AND CHEESE.

BUTTER QUOTA.

I, ALEXANDER HENRY DENNETT, Minister of Agriculture in the State of Victoria, after consultation with the Victorian Dairy Products Board, and after ascertaining that the supply and distribution of butter at reasonable prices to consumers thereof in Victoria will be ensured, hereby determine a quota for butter as follows:—

The proportion shall be Sixty-one point nine nought per cent.

The period for which this quota is to operate shall be the month of April, 1949.

CHEESE QUOTA.

I, ALEXANDER HENRY DENNETT, Minister of Agriculture in the State of Victoria, after consultation with the Victorian Dairy Products Board, and after ascertaining that the supply and distribution of cheese at reasonable prices to consumers thereof in Victoria will be ensured, hereby determine a quota for cheese as follows:—

The proportion shall be Fifty-four point nine nought per cent.

The period for which this quota is to operate shall be the month of April, 1949.

A. H. DENNETT,
Minister of Agriculture.

17th March, 1949.

NOTICE.

ADMINISTRATION of the estate of each of the under-mentioned deceased persons has been granted to me, and creditors, next of kin, and all others having claims against the estate of any of the persons so mentioned are required to send particulars of their claims to the Public Trustee, No. 412 Collins-street, Melbourne, on or before the 25th May, 1949, or they will be excluded from the distribution of the estate when the assets are being distributed:—

ARDILL, JOHN, late of 31 Percival-street, Preston, carpenter, died 31st October, 1948, intestate.

HOLLIS, CHARLES STUART, late of 1 McCracken-avenue, Northcote, clerk, died 19th December, 1948, intestate.

HUGGINS, VICTOR RICHARD, late of Springhurst, farm labourer, died 3rd July, 1948, intestate.

KIEFEL, ESTHER GRACE, late of Laharum, via Horsham, widow, died 14th January, 1949, intestate.

KNIGHT, FREDERICK CHARLES, late of 8 Lilydale-grove, Auburn, mechanic, died 5th September, 1948, intestate.

*MARSHALL, JANET ELIZA, late of 44 Dryburgh-street, West Melbourne, married woman, died 1st December, 1948.

†MORRISON, JOHN PATRICK, late of 24 Bayview-terrace, Ascot Vale, tramway employee, died 1st November, 1948.

MURPHY, DANIEL THOMAS, late of 3 Nobbys-road, Newcastle, New South Wales, soldier, died 18th July, 1941, intestate.

MURRAY, NELLIE JOSEPHINE, late of 24 Bayview-road, Seddon, married woman, died 29th January, 1949, intestate.

MCCAUSLAND, CHARLES, formerly of Litchfield, but late of Queen Elizabeth Benevolent Home, Ballarat, labourer, died 29th June, 1944, intestate.

MCCLURE, LILLIAN MAY, formerly of Eaglehawk, but late of Kew, widow, died 26th June, 1948, intestate.

*SHANDLEY, JOHN ADAM, formerly of Bunyip and Won-thaggi, but late of 102 Ascot-street, Ballarat, retired, died 10th September, 1943.

WARNOCK, ANDREW, late of "The Outlet," Rushworth, pensioner, died 8th December, 1948, intestate.

* According to the provisions of the will.
† With the will annexed.

C. J. GARDNER,
Public Trustee.

Melbourne, 16th March, 1949.

4 GEORGE VI. No. 4755, SECTION 6.

I HEREBY give notice that on the 8th March, 1949, I filed an election to administer the following deceased person's estate, in accordance with section 6 of the *Public Trustee Act 1940*:—

*SHANDLEY, JOHN ADAM, formerly of Bunyip and Won-thaggi, but late of 102 Ascot-street, Ballarat, retired, died 10th September, 1943.

* According to the provisions of the will.

I HEREBY give notice that on the 11th March, 1949, I filed elections to administer the following deceased persons' estates, in accordance with section 6 of the *Public Trustee Act 1940*:—

HOLLIS, CHARLES STUART, late of 1 McCracken-avenue, Northcote, clerk, died 19th December, 1948, intestate.

HUGGINS, VICTOR RICHARD, late of Springhurst, farm labourer, died 3rd July, 1948, intestate.

KIEFEL, ESTHER GRACE, late of Laharum, via Horsham, widow, died 14th January, 1949, intestate.

KNIGHT, FREDERICK CHARLES, late of 8 Lilydale-grove, Auburn, mechanic, died 5th September, 1948, intestate.

*MARSHALL, JANET ELIZA, late of 44 Dryburgh-street, West Melbourne, married woman, died 1st December, 1948.

MURPHY, DANIEL THOMAS, late of 3 Nobbys-road, Newcastle, New South Wales, soldier, died 18th July, 1941, intestate.

MURRAY, NELLIE JOSEPHINE, late of 24 Bayview-road, Seddon, married woman, died 29th January, 1949, intestate.

MCCAUSLAND, CHARLES, formerly of Litchfield, but late of Queen Elizabeth Benevolent Home, Ballarat, labourer, died 29th June, 1944, intestate.

MCCLURE, LILLIAN MAY, formerly of Eaglehawk, but late of Kew, widow, died 26th June, 1948, intestate.

WARNOCK, ANDREW, late of "The Outlet," Rushworth, pensioner, died 8th December, 1948, intestate.

* According to the provisions of the will.

C. J. GARDNER,
Public Trustee.

412 Collins-street, Melbourne, C.1, 16th March, 1949.

CONTRACTS ACCEPTED.—(Series 1948-49.)

PROVISIONS.—MEAT.

No. of Contract.	Particulars of each Tender Accepted.	Amount.	Name of Contractor.	Charge against Vote or Fund.
PROVISIONS— Supply of Meat, in such quantities as may be ordered, from 1st April, 1949, to 30th June, 1949.				
2556	Schedule No. 1—Melbourne District— Kew Mental Hospital	Rates as per annex	M. A. McCartin ..	Contingencies, 1948-49
2557	Pentridge Penal Establishment, &c.	" "	F. Watkins Pty. Ltd. ..	
2558	Children's Welfare Depot, Royal Park, and Police Hospital	" "	J. H. Cooke Pty. Ltd. ..	
2559	Royal Park Mental Hospital and Receiving House	" "	J. H. Cooke Pty. Ltd. ..	
2560	Schedule No. 2—Mont Park; Sanatorium, Greaswell, &c.	" "	W. Angliss and Co. (Aust.) Pty. Ltd. ..	
2561	Schedule No. 3—s.s. Rip and Dredges	" "	J. H. Cooke Pty. Ltd. ..	
2562	Schedule No. 4—Teachers' College, Carlton, and Travancore Developmental Centre, Flemington	" "	J. H. Cooke Pty. Ltd. ..	
2563	Schedule No. 5—Ararat District	" "	Winston Newsome ..	
2564	Schedule No. 6—Ballarat District	" "	H. J. Symons Pty. Ltd. ..	
2565	Schedule No. 7—Beechworth District	" "	E. Spencer ..	
2566	Schedule No. 8—Castlemaine District	" "	Ewing's "W.K. & H.S." ..	
2567	Schedule No. 9—School of Forestry, Creswick	" "	H. J. Symons Pty. Ltd. ..	
2568	Schedule No. 10—McLeod Settlement, French Island	" "	L. G. Male ..	
2569	Schedule No. 11—Heatherton Sanatorium, Cheltenham	" "	Thomas Borthwick & Sons (A/asia) Ltd. ..	
2570	Schedule No. 12—Sanatorium, Greenvale	" "	F. Watkins Pty. Ltd. ..	
2571	Schedule No. 16—Sale Gaol	" "	H. L. G. Laws ..	
2572	Schedule No. 17—Pleasant Creek Special School, Stawell	" "	Ada J. West ..	
2573	Schedule No. 18—Sunbury District	" "	F. Watkins Pty. Ltd. ..	
2574	Schedule No. 21—Geelong District	" "	O'Briens' Butchery ..	

Approved—T. T. HOLLWAY, Treasurer, 22.3.49.

ANNEX TO CONTRACTS.

SCHEDULE No. 1.—MELBOURNE DISTRICT.

ANNEX TO CONTRACT No. 1948/2556.

M. A. McCartin, 184 Sydney-road, Brunswick.

Sub-schedule No. 7.

MEAT FOR MENTAL HOSPITAL, KEW.

	£	s.	d.
Security, £35.			
1. Fresh Beef—Fore-quarters	per lb.	0	0 5½
2. " " Buttocks	do.	0	0 9
3. Corned Beef—Rolled or round, as ordered, without bone or cartilage	do.	0	0 9½
4. Fresh Mutton	do.	0	0 5½
5. " " Suet—Kidney	do.	0	0 4½
6. Sausage Meat	do.	0	0 5½
7. Brains	per set	0	0 2½
8. Sausages—Mixed	per lb.	0	0 7½
9. Tripe—Fresh	do.	0	0 4½

Sub-schedule No. 9—continued.

MEAT FOR POLICE HOSPITAL, ST. KILDA-ROAD; CHILDREN'S WELFARE DEPOT, ROYAL PARK—continued.

	£	s.	d.
9. Chops—Mid. Loin	per lb.	0	1 0
10. Shanks—Sheeps'	do.	0	0 5
11. Sausages—Mixed	do.	0	0 8
12. Tripe—Fresh	do.	0	0 5
13. Frys—Lambs'	do.	0	0 6
14. Ox Tails	do.	0	0 8
15. Sausage—Beef, German	do.	0	0 8
16. " " Strasburg—Pork	do.	0	1 0
17. Rabbits—Fresh	do.	0	0 9½
18. Frankfurts	per bundle	0	0 10

ANNEX TO CONTRACT No. 1948/2559.

J. H. Cooke Pty. Ltd., 378 Queen's-parade, Clifton Hill.

Sub-schedule No. 10.

MEAT FOR RECEIVING HOUSE AND MENTAL HOSPITAL, ROYAL PARK.

ANNEX TO CONTRACT No. 1948/2557.
F. Watkins Pty. Ltd., 134 Bourke-street, Melbourne, C.I.

Sub-schedule No. 8.

MEAT FOR PENAL ESTABLISHMENT (PENTRIDGE), FEMALE PENITENTIARY, AND METROPOLITAN GAOL (GOBURG).

	£	s.	d.
Security, £35.			
1. Fresh Beef—Fore-quarters	per lb.	0	0 5
2. Fresh Mutton (whole sheep)	do.	0	0 5
3. Sausages—Mixed	do.	0	0 7½
4. Liver—Calves'	do.	0	0 5
5. Fresh Suet—Kidney	do.	0	0 5
6. Dripping—Beef	do.	0	0 5
7. Sausage Meat	do.	0	0 5
8. Tripe—Fresh	do.	0	0 4
9. Beef—Minced	do.	0	0 7

Security, £10.

	£	s.	d.
1. Fresh Beef	per cwt.	3	2 6
2. " " Buttocks	do.	3	2 6
3. " " Mutton	per lb.	0	0 5
4. Corned Beef—Rolled or round, as ordered, without bone or cartilage	do.	0	0 7½
5. Fresh Suet—Kidney	do.	0	0 5
6. Sausages—Mixed	do.	0	0 8

SCHEDULE No. 2.—MONT PARK; SANATORIUM, GRESSWELL, ETC.

ANNEX TO CONTRACT No. 1948/2580.

W. Angliss and Co. (Aust.) Pty. Ltd., 42 Bourke-street, Melbourne, C.I.

Sub-schedule No. 4.

MEAT FOR POLICE HOSPITAL, ST. KILDA-ROAD; CHILDREN'S WELFARE DEPOT, ROYAL PARK.

	£	s.	d.
Security, £5.			
1. Fresh Beef	per cwt.	3	2 6
2. " " Mutton	do.	2	5 10
3. Steak—Rump	per lb.	0	1 8
4. " " Stewing	do.	0	0 10
5. Beef, Corned—Silverside	do.	0	1 0
6. Fresh Mutton—Loin	do.	0	0 11
7. " " Leg	do.	0	0 10
8. " " Cutlets	do.	0	1 0

	£	s.	d.
Security, £50.			
1. Fresh Beef—Forequarters	per cwt.	2	14 7
2. " " Hindquarters	do.	3	14 7
3. " " Buttocks	per lb.	0	0 10
4. " " Roast	do.	0	0 11
5. Beef, Corned—Rolled or round, as ordered, without bone or cartilage	do.	0	0 10
6. Mutton—Fresh	do.	0	0 6
7. Chops—Forequarter	do.	0	0 5½
8. " " Loin	do.	0	1 0
9. Suet—Beef	do.	0	0 3½
10. Veal—Leg	do.	0	0 9

* Rates subject to variation in accordance with determinations of Prices Decontrol Commissioner.

Sub-schedule No. 4—continued.

MEAT FOR MONT PARK; SANATORIUM, GRESSWELL, ETC.—continued.

		£	s.	d.
11. Steak—Thick Flank	per lb.	0	0	11
12. " Rump	do.	0	2	0½
13. " Minced	do.	0	0	9½
14. Sausage Meat	do.	0	0	5½
15. Sausages—Mixed	do.	0	0	8
16. Shanks—Sheeps'	each	0	0	5
17. Tripe—Fresh	per lb.	0	0	3½
18. Brains—Sheeps'	per set	0	0	2½
19. Kidneys—Sheeps'	per doz.	0	2	0
20. Kidneys—Ox	per lb.	0	0	11
21. Livers—Calves'	do.	0	0	4
22. Sausage—Beef, German	do.	0	0	9
23. " Strasburg, Pork	do.	0	1	4
24. Rabbits—Fresh	do.	0	1	0
25. Saveloys	per doz.	0	1	7
26. Tongues—Ox	per lb.	0	0	8
27. Ham Loaf	do.	0	1	4
28. Pressed Veal and Pork Loaf	do.	0	1	6
29. Frys—Lambs	each	0	0	6

SCHEDULE No. 3.—S.S. RIP AND DREDGES.

ANNEX TO CONTRACT No. 1948/2561.

J. H. Cooke Pty. Ltd., 378 Queen's-parade, Clifton Hill.

Sub-schedule No. 3.

MEAT.

(Delivery at River Yarra Wharfs.)

Security, £5.

		£	s.	d.
1. Fresh Beef—Roast	per lb.	0	0	10
2. Beef, Corned—Silverside	do.	0	1	1
3. " " Rolled	do.	0	0	8
4. Fresh Mutton—Forequarter	do.	0	0	5
5. " " Legs	do.	0	0	10
6. Chops—Forequarter	do.	0	0	6½
7. " Loin	do.	0	1	0
8. Steak—Rump	do.	0	1	9
9. " Stewing	do.	0	0	10
10. " Topside	do.	0	1	2
11. Sausages—Mixed	do.	0	0	8
12. Tripe—Fresh	do.	0	0	5
13. Frys—Lambs'	do.	0	0	6
14. Suet—Kidney	do.	0	0	5
15. Rabbits—Fresh	do.	0	0	9½
16. Ice	per cwt.	0	3	0

SCHEDULE No. 4.—TEACHERS' COLLEGE, CARLTON, AND TRAVANCORE DEVELOPMENTAL CENTRE, FLEMINGTON.

ANNEX TO CONTRACT No. 1948/2562.

J. H. Cooke Pty. Ltd., 378 Queen's-parade, Clifton Hill.

Sub-schedule No. 3.

MEAT.

Security, £8.

		£	s.	d.
1. Fresh Beef—Sirloin	per lb.	0	1	2
2. " Mutton—Cutlets	do.	0	0	11
3. " " Chops, Mid. Loin	do.	0	0	11
4. " " " Forequarter	do.	0	0	5
5. " " Legs	do.	0	3	10
6. Beef, Corned—Silverside	do.	0	1	0
7. Veal—Shoulder, Boned	do.	0	0	7
8. Steak—Blade	do.	0	1	0
9. " (when required, minced)	do.	0	0	10
10. Mince Meat	do.	0	0	8½
11. Sausages—Mixed	do.	0	0	8
12. Sausage Meat	do.	0	0	4
13. " —Beef, German	do.	0	0	8
14. Frys—Lambs'	do.	0	0	6
15. Tripe—Fresh	do.	0	0	5
16. Suet—Kidney	do.	0	0	5
17. Bones—Soup	do.	0	0	1
18. Frankfurts	per bndle.	0	0	10
19. Black Puddings	per lb.	0	0	7

SCHEDULE No. 5.—ARARAT DISTRICT.

ANNEX TO CONTRACT No. 1948/2563.

Winston Newsome, 139 Barkly-street, Ararat.

Sub-schedule No. 4.

MEAT.

Security, £30.

		£	s.	d.
1. Fresh Beef—Fore-quarters	per lb.	0	0	7
2. " " Hind-quarters	do.	0	0	7
3. " " Buttocks	do.	0	0	7½
4. " Mutton	do.	0	0	6½
5. Corned Beef—Rolled or round, as ordered, without bone or cartilage	do.	0	0	6½

SCHEDULE No. 6.—BALLARAT DISTRICT.

ANNEX TO CONTRACT No. 1948/2564.

H. J. Symons Pty. Ltd., 1015 Macarthur-street, Ballarat.

Sub-schedule No. 4.

MEAT.

Security, £35.

		£	s.	d.
1. Fresh Beef—Forequarters	per cwt.	3	8	9
2. " " Buttocks	do.	3	19	2
3. " " Mutton	per lb.	0	0	7½
4. Mince Meat	do.	0	0	7
5. Sausage—Beef, German	do.	0	0	10
6. Tripe—Fresh (alternative)	do.	0	0	5
7. Suet—Fresh, Kidney	do.	0	0	7
8. Black Puddings	do.	0	0	6

SCHEDULE No. 7.—BEECHWORTH DISTRICT.

ANNEX TO CONTRACT No. 1948/2565.

E. Spencer, Camp-street, Beechworth.

Sub-schedule No. 4.

MEAT.

Security, £30.

		£	s.	d.
1. Fresh Beef—Roast	per cwt.	3	15	0
2. " Mutton	per lb.	0	0	9
3. Minced Meat	do.	0	0	7½
4. Sausages—Mixed	do.	0	0	8
5. Sausage Meat	do.	0	0	8
6. " —Beef, German	do.	0	1	0
7. Suet—Kidney	do.	0	0	6
8. Dripping Beef	do.	0	0	7
9. Frys—Lambs	do.	0	0	3½
10. Tripe—Fresh	do.	0	0	8

SCHEDULE No. 8.—CASTLEMAINE DISTRICT.

ANNEX TO CONTRACT No. 1948/2566.

Ewing's "W.K. & H.S.," 91 Mostyn-street, Castlemaine.

Sub-schedule No. 2.

MEAT.

Security, £5.

		£	s.	d.
1. Fresh Beef	per lb.	0	0	9
2. Corned Beef—Rolled, or Round, as ordered, without bone or cartilage	do.	0	0	9½
3. Fresh Mutton	do.	0	0	8
4. Sausages—Mixed	do.	0	0	11
5. Sausage Meat	do.	0	0	7

SCHEDULE No. 9.—SCHOOL OF FORESTRY, CRESWICK.

ANNEX TO CONTRACT No. 1948/2567.

H. J. Symons Pty. Ltd., 1015 Macarthur-street, Ballarat.

Sub-schedule No. 4.

MEAT.

Security, £3.

		£	s.	d.
1. Fresh Beef—Forequarters	per lb.	0	1	0
2. " Mutton	do.	0	0	10
3. Sausages—Mixed	do.	0	0	10
4. Steak—Minced	do.	0	0	8½
5. Frys—Lambs'	do.	0	0	6
6. Tongues—Ox	do.	0	0	9
7. Dripping, Beef	do.	0	0	7

SCHEDULE No. 10.—McLEOD SETTLEMENT, FRENCH ISLAND.

ANNEX TO CONTRACT No. 1948/2568.

L. G. Male, Lang Lang.

Sub-schedule No. 3.

MEAT.

Security, £5.

		£	s.	d.
1. Fresh Beef	per lb.	0	0	10½
2. " Mutton	do.	0	0	10½
3. Corned Beef—Rolled or Round, as ordered, without bone or cartilage	do.	0	0	10½
4. Sausages	do.	0	0	10

SCHEDULE No. 11.—HEATHERTON SANATORIUM, CHELTENHAM.

ANNEX TO CONTRACT No. 1948/2569.

Thomas Borthwick and Sons (Asia) Ltd., 84 William-street, Melbourne, C.I.

Sub-schedule No. 3.

MEAT.

Security, £5.

		£	s.	d.
1. Beef, Fresh—Roast	per lb.	0	1	0
2. " " Topside	do.	0	1	0
3. " " Rump	do.	0	0	10
4. " Corned—Rolled or round as ordered, without bone or cartilage	do.	0	0	11
5. Mutton, Fresh	do.	0	0	6
6. Chops—Forequarter	do.	0	0	5
7. " Middle loin	do.	0	0	11
8. Cutlets—Mutton	do.	0	1	1
9. " Veal	do.	0	1	0
10. Veal—Leg	do.	0	0	10
11. Pork, Fresh—Loin	do.	0	1	10
12. " Pickled—Belly	do.	0	1	4
13. Steak—Rump	do.	0	2	1
14. " Blade Bone	do.	0	0	10
15. " Minced	do.	0	0	10
16. " Thick Flank	do.	0	1	0
17. " Topside	do.	0	1	3
18. Tripe—Fresh	do.	0	0	4
19. Frys—Lambs'	each	0	0	4
20. Sausage—Meat	per lb.	0	0	5
21. Sausages—Mixed	do.	0	0	8
22. Kidneys—Ox	do.	0	1	0
23. Tails—Ox	do.	0	0	8
24. Tongues—Ox	do.	0	0	8
25. " Sheep's	each	0	0	3
26. Sheep's Heads	do.	0	0	5
27. Brains—Sheep's	per set	0	0	2
28. Suet—Fresh Kidney	per lb.	0	0	4
29. " Fresh Beef	do.	0	0	4
30. Ham—Loaf	do.	0	1	4
31. Pressed Veal and Pork Loaf	do.	0	1	6
32. Sausage—Beef, German	do.	0	0	9
33. " Strasburg Pork	do.	0	1	4
34. Poultry—First Quality	per pair	0	6	6
35. Frankfurts	per lb.	0	1	0

SCHEDULE No. 12.—SANATORIUM, GREENVALE.

ANNEX TO CONTRACT No. 1948/2570.

F. Watkins Pty. Ltd., 184 Bourke-street, Melbourne, C.I.

Sub-schedule No. 3.

MEAT (cuts as ordered).

Security, £7.

		£	s.	d.
1. Beef, Fresh—Roast	per lb.	0	1	1
2. " " Topside	do.	0	1	2
3. " " Rump	do.	0	1	10
4. " Corned, Silverside	do.	0	1	2
5. Mutton, Fresh—Sides	do.	0	0	7
6. Cutlets—Mutton	do.	0	1	0
7. " Veal	do.	0	1	0
8. Chops—Mid. Loin	do.	0	0	11
9. " Leg	do.	0	0	11
10. " Forequarter	do.	0	0	6½
11. Steak—Minced	do.	0	0	9
12. Minced Meat	do.	0	0	6
13. Frys—Lambs'	do.	0	0	6
14. Pork, Fresh—Loin	do.	0	1	10
15. Pork, Pickled—Belly	do.	0	1	4
16. Veal—Legs, boned	do.	0	1	0
17. Tripe, Fresh—Ox	do.	0	0	5.
18. Tails—Ox	do.	0	0	8
19. Tongues—Ox	do.	0	0	8
20. " Sheep	per doz.	0	2	6
21. Shanks—Sheep's	each	0	0	6
22. Sausages—Mixed	per lb.	0	0	9
23. " Pork	do.	0	1	0
24. Sausage—Strasburg, Pork	do.	0	1	2
25. Shins—Beef	do.	0	0	4
26. Suet, Fresh—Kidney	do.	0	0	6
27. Kidneys—Ox	do.	0	0	11
28. " Sheep's	per doz.	0	2	0
29. Brains	per set	0	0	3
30. Rabbits—Fresh	per lb.	0	0	9½
31. Poultry—First Quality	per pair	1	0	0
32. Frankfurts	per bundle	0	1	6

SCHEDULE No. 16.—SALE GAOL.

ANNEX TO CONTRACT No. 1948/2571.

H. L. G. Laws, 111 Raymond-street, Sale.

Sub-schedule No. 2.

MEAT.

Security, £3.

£ s. d.

1. Fresh Beef—Stewing	per lb.	0	0	10
2. Fresh Mutton	do.	0	0	10
3. Corned Beef—Rolled or round as ordered, without bone or cartilage	do.	0	0	11

SCHEDULE No. 17.—PLEASANT CREEK SPECIAL SCHOOL STAWELL.

ANNEX TO CONTRACT No. 1948/2572.

Ada J. West, 65 Main-street, Stawell.

Sub-schedule No. 4.

MEAT.

Security, £3.

£ s. d.

1. Fresh Beef—Primo ribs	per lb.	0	0	9
2. " " Sirloin	do.	0	1	9
3. " " Stewing (minced when required)	do.	0	0	8
4. Beef—Corned, Silverside	do.	0	0	9
5. Fresh Mutton—Chops (loin)	do.	0	0	7
6. " in sides	do.	0	0	6
7. Sausages—Mixed	do.	0	0	7
8. Frys—Lambs'	each	0	0	3
9. Tripe—Fresh	per lb.	0	0	8
10. Saveloys	per doz.	0	1	1
11. Tongues—Ox	per lb.	0	0	8

SCHEDULE No. 18.—SUNBURY DISTRICT.

ANNEX TO CONTRACT No. 1948/2573.

F. Watkins Pty. Ltd., 184 Bourke-street, Melbourne, C.I.

Sub-schedule No. 5.

MEAT.

Security, £40.

£ s. d.

1. Fresh Beef—Forequarters	per cntl.	2	10	0
2. " " Buttocks	per lb.	0	0	9½
3. " Mutton	do.	0	0	6
4. Corned Beef—Rolled or round, as ordered, without bone or cartilage	do.	0	0	10
5. Sausages—mixed	do.	0	0	8

SCHEDULE No. 21.—GEEELONG DISTRICT.

ANNEX TO CONTRACT No. 1948/2574.

O'Brien's Butchery, 491 Moorabool-street, Geelong.

Sub-schedule No. 1.

MEAT.

Security, £10.

£ s. d.

1. Fresh Beef	per cntl.	2	18	4
2. Corned Beef—Rolled or round, without bone or cartilage	per lb.	0	0	7
3. Fresh Mutton	do.	0	0	6

CONTRACTS ACCEPTED.—(Series 1948-49.)**VICTORIAN RAILWAYS.**

116. Reconstruction of roadways, &c., at Sale, at rates (Contract 56907).—Hasler Constructions Pty. Ltd. 117. Asbestos mattresses, at £55 per set (Contract 57297).—Bell's Asbestos and Engineering (Aust.) Ltd. 118. Coffee, at 1s. 11d. per lb. (Contract 57299).—Henry Berry and Co. (Australasia) Ltd. 119. Cocoa, at 28s. 8d. less 12½ per cent. per dozen 1-lb. packets (Contract 57582).—Cadbury-Fry-Pascall Pty. Ltd. 120. Automatic sleeper tamping machines, at £10,777 sterling each, and services of an operator mechanic, for £250 sterling (Contract 57624).—Matisa Equipment Co.

By order of the Victorian Railways Commissioners,
B. KELLY, Secretary. 18.3.1949.

GENERAL STORES.

Gazette No. 708, 16th July, 1948, Schedule No. 20, Brushware (Painters').—For the rates shown opposite the following items substitute the rates as set out hereunder as from 24th February, 1949:—Item No. 1, 1s. 10½d. each; Item No. 2, 2s. 9½d. each; Item No. 3, 5s. 8½d. each; Item No. 4, 7s. 3d. each; Item No. 8, 15s. 5d. each; Item No. 9, 11s. 9d. each; Item No. 11, £3 16s. 9d. each; Item No. 12, 1s. each; Item No. 13, 1s. 3d. each; Item No. 14, 1s. 6½d. each.

Gazette No. 708, 16th July, 1948, Schedule No. 25, Chemicals.—Item No. 79 subject to a surcharge of 7s. 3d. per tin as from 14th February, 1949.

Gazette No. 708, 16th July, 1948, Schedule No. 25, Chemicals.—For Item No. 77 substitute £3 0s. 2d. per drum as from 13th December, 1948.

Gazette No. 708, 16th July, 1948, Schedule No. 29, Cordage, Lines, &c.—For Item No. 11 substitute 6s. 8½d. per lb. as from 18th January, 1949.

Gazette No. 708, 16th July, 1948, Schedule No. 43, Haberdashery.—For the rates shown opposite the following items substitute the rates as set out hereunder as from 24th January, 1949:—Item No. 13, 15s. 11d. per dozen reels; Item No. 14, 9s. 5d. per dozen reels; Item No. 15, Black No. 36, £1 8s. 9d. per dozen cops, Black No. 40, £1 7s. 8d. per dozen cops, White No. 24, £1 9s. 8d. per dozen cops, White No. 36, £1 7s. 6d. per dozen cops, White No. 40, £1 6s. 8d. per dozen cops, Black No. 24, £1 10s. 8d. per dozen cops; Item No. 48, Unbleached No. 50, 18s. 2d., Black No. 50, 18s. 8d., Colours No. 50, £1 0s. 2d., Unbleached No. 60, £1, Black No. 60, £1 0s. 6d., Colours No. 60, £1 2s., Unbleached Nos. 10 and 25, 14s. 1d., Black Nos. 10 and 25, 14s. 7d., Colours No. 25, 16s. 1d. per lb.

Gazette No. 708, 16th July, 1948, Schedule No. 58, Nails.—For the rates shown opposite the following items substitute the rates as set out hereunder as from 15th November, 1948:—Item No. 1, £1 19s. 9d. per cwt.; Item No. 2, £1 19s. 9d. per cwt.; Item No. 3, £2 0s. 4d. per cwt.; Item No. 4, £2 0s. 10d. per cwt.; Item No. 5, £2 2s. 1d. per cwt.; Item No. 6, £2 3s. 11d. per cwt.; Item No. 7, £2 6s. 2d. per cwt.; Item No. 8, £2 9s. 10d. per cwt.; Item No. 9, £2 13s. 11d. per cwt.; Item No. 10, £2 13s. 2d. per cwt.; Item No. 11, £3 13s. 8d. per cwt.; Item No. 12, £2 3s. 11d. per cwt.—all rates less 5 per cent. discount.

Gazette No. 708, 16th July, 1948, Schedule No. 67, Soap-makers' Materials, &c.—For Item No. 14 substitute 1s. 0½d. per lb. as from 18th February, 1949.

CARTAGE (METROPOLITAN).

Gazette No. 670, 23rd June, 1948, Schedule No. 1, Cartage and Delivery of Goods and Parcels.—Rate subject to an additional surcharge of 7½ per cent. as from 1st February, 1949.

W. H. RUTHERFORD, Secretary to the Tender Board.
17.3.49.

ORDERS IN COUNCIL.—(Series 1948-49.)**STATE ELECTRICITY COMMISSION.**

2507. The excavation of a gullet cut (approximately 1,000,000 cubic yards), and consolidated filling of the workshop and stores area at Morwell Project, to Specification No. 48-49/130.—Contractors Consolidated (Vic.) Co.

2508. The supply of five second-hand Allis-Chalmers tractors, Kiewa Hydro-Electric Scheme.—Air Power Ltd.
2509. The supply of one second-hand Euclid BV.5 loader, and eight second-hand Euclid bottom dump trucks, Morwell Project.—Metal Union Plant Ltd.

2510. The supply of four second-hand Euclid rear dump trucks, Kiewa Hydro-Electric Scheme.—John Laing and Son Ltd.

2511. The supply of four Ruston Bucyrus excavators, one spare engine, one crowd shovel, and ancillary equipment, Kiewa Hydro-Electric Scheme.—George Wimpey and Co. Ltd.

2512. The supply of structural steelwork for galleries under coal bunkers, Newport "C" Generating Station, to Quotation No. 3348.—Vickers, Ruwolt Pty. Ltd.

2513. The supply of 1,000 yards of 37/103 V.C.I. cable, to Quotation No. 3204.—Gilbert Lodge and Co. Pty. Ltd.

2514. The supply and fitting of two hydraulically-operated angledozers, complete with pump and fittings, Kiewa Hydro-Electric Scheme, to Specification No. 48-49/133.—Victorian Industrial Sales and Service Pty. Ltd.

2515. The supply of one trench-cutting machine, Yallourn, to Quotation No. 3415.—Ruston and Hornsby (Aust.) Pty. Ltd.

2516. The supply of two second-hand Simplex Diesel locomotives, Kiewa Hydro-Electric Scheme.—A. Goldsmith.

2517. The repairs and renovations to buildings at Warra, to Quotation No. 1043.—Keith G. Hooker and Co.

2518. The supply of replacement parts for grate chains of class "L" stokers, Newport Generating Station, to Quotation No. 3399.—International Combustion (A/asia) Pty. Ltd.

2519. The supply of 5,000 time switches, to Specification No. 48-49/7.—Johnson and Phillips Ltd.

2520. The supply of 5,000 time switches, to Specification No. 48-49/7.—Lawrence and Hanson Electrical (Vic.) Pty. Ltd.

2521. The supply of 40 time switches, to Specification No. 48-49/7.—Landis and Gyr Ltd.

2522. The supply of 10,000 cubic yards of crushed rock, Yallourn.—E. G. L. Cook.

2523. The supply of 3,000 cubic yards of crushed rock, Yallourn.—Jacobs Creek Blue Stone Quarry Co.

2524. The supply of 1,800 tons steel railway rails, and 2,000 pairs fishplates, Morwell Project, to Specification No. 48-49/110.—Broken Hill Pty. Co. Ltd.

2525. The supply of 24 angledozers and 24 power control units for Allis-Chalmers model HD.14 tractors, Yallourn and Kiewa Hydro-Electric Scheme, to Quotation No. 2662.—Tutt, Bryant (Vic.) Pty. Ltd.

2526. The erection of two cubicle blocks at Eastern-road hostel, Yallourn, to Specification No. 48-49/128.—T. R. and L. Cockram Pty. Ltd.

2527. The drilling of earth and brown coal in Gippsland and South Gippsland, to Specification No. 48-49/119.—W. L. Sides and Son Pty. Ltd.

2528. The supply of fourteen angledozers and fourteen power control units for International model TD.18 tractors, Yallourn and Morwell, to Quotation No. 2662.—Victorian Industrial Sales and Service Pty. Ltd.

2529. The supply of fifteen valves for fire service pumping plant, Yallourn Open Cut, to Quotation No. 2967.—M. B. John Ltd.

2530. The supply of 30 tons of 1½ in. x 1½ in. x ¼ in. mild steel angle, to Quotation No. 4318.—Gollin and Co. Pty. Ltd.

2531. The supply of ball and roller bearings, to Quotation No. 3087.—Bearing Service Co. of Australia Pty. Ltd.

2532. The supply of two electric motor-driven induced draft fans for cooling tower, Brunswick Terminal Station, to Specification No. 48-49/57.—Aerex (Australia) Co.

2533. The purchase of land and dwelling situate at the corner of Elgin and White streets, Morwell.—Ernest Frank James.

2534. The supply of 6,000 time switches, to Specification No. 48-49/7.—H. Rowe and Co. Pty. Ltd.

Approved by the Governor in Council, 8th March, 1949.—
A. MAHLSTEDT, Clerk of the Executive Council.

STATE ELECTRICITY COMMISSION.

2537. The supply of six semi-trailer heavy duty turntable assemblies, to Quotation No. 1861A.—McGrath Trailer Equipment Pty. Ltd.

2538. The supply of 20,000 galvanized service brackets, to Quotation No. 4423.—F. L. Kirkby and Co. Pty. Ltd.

2539. The supply of 58 tons plain fibro-cement sheeting, Yallourn, Morwell, and Kiewa Hydro-Electric Scheme, to Quotation No. 4409.—Housing Commission, Victoria.

2540. The supply of spare parts for Tournapulls, to Quotation No. 3141.—Tutt, Bryant (Vic.) Pty. Ltd.

2541. The supply of six Dodge tray body trucks, to Quotation No. 4013.—Canada Cycle and Motor Co. (Vic.) Pty. Ltd.

2542. The supply of 200 wooden poles.—R. J. White and Co. (Sydney) Pty. Ltd.

2543. The supply of 100 Java kapok mattresses and 200 kapok pillows, Kiewa Hydro-Electric Scheme, to Quotation No. 3022.—Buesst and Bills Bros. Pty. Ltd.

2544. The supply of 1,350 protected roofing sheets, to Quotation No. 4424.—Engelbach and Co. Pty. Ltd.

2545. The supply of 62 tons of round and angle mild steel, to Quotation No. 4425.—Gollin and Co. Pty. Ltd.

2546. The supply of 490 gallons exterior oil paint, Yallourn, to Quotation No. 1707.—British Australian Lead Manufacturers Pty. Ltd.

2547. The supply of 350 gallons undercoat and 80 gallons waterproof oil, Yallourn, to Quotation No. 1707.—Taubman's Pty. Ltd.

2548. The supply of 14 tons galvanized corrugated iron and 318 sheets plain galvanized iron, Kiewa Hydro-Electric Scheme, to Quotation No. 4327.—John Lysaght (Aust.) Pty. Ltd.

2549. The supply of 60 tons mild steel rounds, to Quotation No. 4426.—Gollin and Co. Pty. Ltd.

2550. The supply of three Dodge four-door sedan cars, to Quotation No. 3852.—Canada Cycle and Motor Co. (Vic.) Pty. Ltd.

2551. The supply of 30 bucket shells for coal dredgers, Yallourn, to Specification No. 48-49/109.—Thompson's (Castlemaine) Ltd.

2552. The supply of 24 single-phase leakage relays, to Quotation No. 3323.—R. and C. Thomas Bros. Pty. Ltd.

2553. The supply of 60,000 gallons of creosote oil, to Specification No. 48-49/107.—B.H.P. By-Products Pty. Ltd.

2554. The supply of creosote oil for a period of twelve months, to Specification No. 48-49/107.—Albion Quarrying Co. Pty. Ltd.

2555. The supply of creosote oil for a period of twelve months, to Specification No. 48-49/107.—James Forbes (Tar Distillers) Pty. Ltd.

Approved by the Governor in Council, 15th March, 1949.—A. MAHLSTEDT, Clerk of the Executive Council.

EDUCATION DEPARTMENT.

2535. One only Nuttall lathe, 6½ in. A.G.H., for South Melbourne Technical School, £597 1s. 2d.—Qualos Sales Pty. Ltd., 89 Lothian-street, North Melbourne.

2536. One only Colchester lathe, 7 in. A.G.H., for South Melbourne Technical School, £597.—Herbert Osborne, 567 Little Bourke-street, Melbourne.

Approved by the Governor in Council, 15th March, 1949.—A. MAHLSTEDT, Clerk of the Executive Council.

SHIRE OF ARARAT WATERWORKS TRUST.

RATING BY-LAW FOR 1949 (No. 1).

THE Shire of Ararat Waterworks Trust, in pursuance and exercise of the powers conferred by the Water Acts, doth hereby make a rate for the supply of water for domestic purposes of Forty-five pence in the pound on the annual municipal valuation of lands and tenements liable to be rated within the Willaura Urban District.

Provided that in no case shall the amount of rate payable per annum in respect of any tenement (other than land on which there is no building) be less than Sixty shillings, and in respect of any land on which there is no building less than Ten shillings.

Such rates are made and shall be levied upon the occupiers or owners of the said land or tenements for the year commencing on the 1st day of January, 1949, and shall be payable on the 31st day of March, 1949, at the office of the said Trust, Shire Hall, Ararat.

The maximum quantity of water to be supplied in any one year without further charge to any property rated by the said Trust is hereby fixed at the quantity which, at a charge of Twenty pence per 1,000 gallons, would produce an amount equal to the amount of rate levied on such property for the said year.

The charge for water supplied by measure to any property rated by the said Trust in excess of such maximum quantity, computed as in the last preceding clause, is hereby fixed at Twenty pence per 1,000 gallons.

The charge for water supplied by measure shall be payable, on demand, at the office of the said Trust, Shire Hall, Ararat.

The charge for any water supplied to any property not rated by the said Trust shall be fixed by special agreement by the said Trust.

The secretary of the said Trust, for the time being, is hereby authorized to demand, collect, and recover, on behalf of the said Trust, the rates and charges imposed by this By-law.

Passed this 18th day of February, 1949.

The common seal of the Shire of Ararat Waterworks Trust was hereunto affixed this 18th day of February, 1949, in the presence of—

(SEAL) ERNEST HEARD, Chairman.
A. W. VANSTAN, Commissioner.
K. N. BISHOP, Secretary.

Approved by the Governor in Council,
15th March, 1949.

A. MAHLSTEDT,
Clerk of the Executive Council.

AVENEL WATERWORKS TRUST.

RATING BY-LAW FOR YEAR 1949.

THE Avenel Waterworks Trust, in pursuance and exercise of the powers conferred by the Water Acts, doth hereby make a rate for the supply of water for domestic purposes of Two shillings and nine pence in the pound of the annual municipal valuation of lands and tenements liable to be rated within the Avenel Urban District.

Provided that in no case shall the amount of rate payable per annum in respect of any tenement (other than land on which there is no building) be less than Fifty-five shillings, and in respect of land on which there is no building less than Ten shillings.

Such rates are made and shall be levied upon the occupiers or owners of the said lands and tenements for the year commencing the 1st day of January, 1949, and shall be payable on the 4th day of April, 1949, at the office of the said Trust.

The maximum quantity of water to be supplied in any one year without further charge to any property rated by the Trust is hereby fixed at the quantity which, at a charge of One shilling per 1,000 gallons, would produce an amount equal to the amount of rate levied on such property for the said year.

The charge for water supplied by measure to any property rated by the Trust in excess of such maximum quantity, computed as in the last preceding clause, is hereby fixed at One shilling per 1,000 gallons.

Water troughs will be supplied as follows:—For each trough in an allotment of 5 acres or under, Fifteen shillings per annum, more than 5 acres, a charge of Fifteen shillings for the first 5 acres, and One shilling for each additional acre.

The charge for water supplied by measure shall be payable, on demand, at the office of the said Trust.

Passed this 4th day of March, 1949.

(SEAL) F. A. VEARING, Chairman.
J. S. MELBOURNE, Secretary.

Approved by the Governor in Council,
15th March, 1949.

A. MAHLSTEDT,
Clerk of the Executive Council.

BROADFORD WATERWORKS TRUST.

RATING BY-LAW FOR THE YEAR 1949.

THE Broadford Waterworks Trust, in pursuance and exercise of the powers conferred by the Water Acts, doth hereby make a rate for the supply of water for domestic purposes, otherwise than by measure, of Two shillings and eight pence in the pound, on the annual municipal valuation of land and tenements liable to be rated within the Broadford Urban District.

Provided that in no case shall the amount of rate payable per annum in respect of any tenement (other than land on which there is no building) be less than Forty-seven shillings, and in respect of any land on which there is no building less than Seventeen shillings.

Such rates are made and shall be levied upon the occupiers or owners of the said lands and tenements for the year commencing on the 1st day of January, 1949, and shall be payable in one amount on the 2nd day of May, 1949, at the office of the said Trust.

Dated this 3rd day of March, 1949.

(SEAL) T. M. NEILL, Chairman.
H. L. POLGLASE, Secretary.

Approved by the Governor in Council,
15th March, 1949.

A. MAHLSTEDT,
Clerk of the Executive Council.

SHIRE OF KORONG.—KORONG VALE WATER SUPPLY DISTRICT.

RATING BY-LAW FOR THE YEAR COMMENCING 1ST OCTOBER, 1948.

THE Council of the Shire of Korong, in pursuance and exercise of the powers conferred by the Water Acts, doth hereby make a rate for the supply of water for domestic purposes of Forty-two pence in the pound on the annual municipal valuation of lands and tenements liable to be rated within the Korong Vale Water Supply District.

Provided that in no case shall the amount of rate payable per annum in respect of any tenement (other than land on which there is no building) be less than Sixty shillings, and in respect of land on which there is no building be less than Fifteen shillings.

Such rates are made and shall be levied upon the occupiers or owners of the said lands and tenements for the year commencing the 1st day of October, 1948, and ending on the 30th day of September, 1949, and shall be payable on the 30th day of March, 1949, at the office of the said Council, Wedderburn.

The maximum quantity of water to be supplied in any one year without further charge to any property rated by the Council is hereby fixed at the quantity which, at a charge of One shilling per 1,000 gallons, would produce an amount equal to the amount of the rate levied on such property for the said year.

The charge for water supplied by measure to any property rated by the Council in excess of such maximum quantity, computed as in the last preceding clause, is hereby fixed at One shilling per 1,000 gallons.

The charge for water supplied by measure shall be payable, on demand, at the office of the Council.

Passed this 28th day of February, 1949.

(SEAL) S. R. CATTO, President.
N. E. PROCTER, Councillor.
A. E. COOPER, Secretary.

Approved by the Governor in Council,
15th March, 1949.

A. MAHLSTEDT,
Clerk of the Executive Council.

SHIRE OF KORONG.—WEDDERBURN WATER SUPPLY DISTRICT.

RATING BY-LAW FOR THE YEAR COMMENCING
1ST OCTOBER, 1948.

THE Council of the Shire of Korong, in pursuance and exercise of the powers conferred by the Water Acts, doth hereby make a rate for the supply of water for domestic purposes of Twenty-four pence in the pound on the annual municipal valuation of lands and tenements liable to be rated within the Wedderburn Water Supply District.

Provided that in no case shall the amount of rate payable per annum in respect of any tenement (other than land on which there is no building) be less than Fifty-five shillings, and in respect of land on which there is no building be less than Fifteen shillings.

Such rates are made and shall be levied upon the occupiers or owners of the said lands and tenements for the year commencing the 1st day of October, 1948, and ending on the 30th day of September, 1949, and shall be payable on the 30th day of March, 1949, at the office of the said Council, Wedderburn.

The maximum quantity of water to be supplied in any one year without further charge to any property rated by the Council is hereby fixed at the quantity which, at a charge of One shilling per 1,000 gallons, would produce an amount equal to the amount of the rate levied on such property for the said year.

The charge for water supplied by measure to any property rated by the Council in excess of such maximum quantity, computed as in the last preceding clause, is hereby fixed at One shilling per 1,000 gallons.

The charge for water supplied by measure shall be payable, on demand, at the office of the Council.

Passed this 28th day of February, 1949.

(SEAL) S. R. CATTO, President.
N. E. PROCTER, Councillor.
A. E. COOPER, Secretary.

Approved by the Governor in Council,
15th March, 1949.

A. MAHLSTEDT,
Clerk of the Executive Council.

MORTLAKE WATERWORKS TRUST.

RATING BY-LAW FOR YEAR 1949.

THE Mortlake Waterworks Trust, in pursuance and exercise of the powers conferred by the Water Acts, doth hereby make a rate for the supply of water for domestic purposes of One shilling and four pence in the pound on the annual municipal valuation of lands and tenements liable to be rated within the Mortlake Urban District.

Provided that in no case shall the amount of rate payable per annum in respect of any tenement (other than land on which there is no building) be less than Twenty shillings, and in respect of any land on which there is no building less than Five shillings.

Such rates are made and shall be levied on the occupiers or owners of the said lands and tenements for the year commencing on the 1st day of January, 1949, and shall be payable on the 1st day of May, 1949, at the office of the said Trust.

Passed this eighth day of March, 1949.

(SEAL) JAMES CAMERON, Chairman.
N. TURNBULL, Secretary.

Approved by the Governor in Council,
15th March, 1949.

A. MAHLSTEDT,
Clerk of the Executive Council.

SHIRE OF RIPON WATER SUPPLY DISTRICT.

RATING BY-LAW FOR THE YEAR 1948-49.

THE Council of the Shire of Ripon, in pursuance and exercise of the powers conferred by the Water Acts, doth hereby make a rate for the supply of water for domestic purposes of One shilling and eight pence in the pound of the annual municipal valuation of lands and tenements liable to be rated within the Shire of Ripon Water Supply District.

1. Provided that in no case shall the amount of rate payable per annum in respect of any tenement (other than land on which there is no building) be less than Twenty-six shillings and eight pence, and in respect of any land on which there is no building less than Thirteen shillings and four pence. Such rates are made and shall be levied upon the occupiers or owners of the said land and tenements for the year commencing the 1st day of October, 1948, and shall be payable on the 11th day of April, 1949, at the office of the said Council, Shire Offices, Beaufort.

2. The maximum quantity of water to be supplied in any one year without further charge to any property rated by the Council is hereby fixed at the quantity which, at a charge of One shilling per 1,000 gallons, would produce an amount equal to the amount of the rate levied on such property for the said year.

3. (a) The charge for water supplied by measure to any property rated by the Council in excess of such maximum quantity, computed as in the last preceding clause, is hereby fixed at One shilling per 1,000 gallons.

(b) The charge for water supplied by measure to any property not rated by the Council is hereby fixed at One shilling per 1,000 gallons, and the minimum quantity of water to be charged for in cases where water is so supplied is hereby fixed at 45,000 gallons.

4. The charge for water supplied by measure shall be payable, on demand, at the office of the Council.

5. Such person or persons as may from time to time be appointed for that purpose shall be authorized to demand, receive, and collect and recover the said rates and charges.

Passed this 7th day of March, 1949.

(SEAL) H. H. RODDIS, President.
NORMAN B. ACTON, Secretary.

Approved by the Governor in Council,
15th March, 1949.

A. MAHLSTEDT,
Clerk of the Executive Council.

TRARALGON WATERWORKS TRUST.

RATING BY-LAW FOR THE YEAR 1949.

THE Traralgon Waterworks Trust, in pursuance and exercise of the powers conferred by the Water Acts, doth hereby make a rate for the supply of water for domestic purposes of Sixteen pence in the pound on the annual municipal valuation of lands and tenements liable to be rated within the Traralgon Urban District.

Provided that in no case shall the amount of rate payable per annum in respect of any tenement (other than land on which there is no building) be less than Twenty shillings, and in respect of any land on which there is no building less than Ten shillings.

Such rates are made and shall be levied upon the occupiers or owners of the said lands and tenements for the year commencing the 1st day of January, 1949, and shall be payable on the 18th day of April, 1949, at the office of the said Trust.

The maximum quantity of water to be supplied in any one year without further charge to any property rated by the Trust is hereby fixed at the quantity which, at a charge of One shilling per 1,000 gallons, would produce an amount equal to the amount of rate levied on such property for the said year.

The charge for water supplied by measure to any property rated by the Trust in excess of such maximum quantity, computed as in the last preceding clause, is hereby fixed at One shilling per 1,000 gallons.

The charge for water supplied by measure shall be payable, on demand, at the office of the said Trust.

Passed this 2nd day of March, 1949.

(SEAL) W. MATHIESON, Chairman.
D. N. CHRISTENSEN, Commissioner.
C. R. LEWIS, Commissioner.
E. M. WEST, Secretary.

Approved by the Governor in Council,
15th March, 1949.

A. MAHLSTEDT,
Clerk of the Executive Council.

YARRAWONGA URBAN WATERWORKS TRUST.

RATING BY-LAW FOR THE YEAR 1949.

THE Yarrowonga Urban Waterworks Trust, in pursuance and exercise of the powers conferred by the Water Acts, doth hereby make the following rates for the supply of water on lands and tenements liable to be rated within the Yarrowonga Urban District:—

On such lands and tenements a rate of One shilling and four pence in the pound on the amount of the annual municipal valuation.

Provided that in no case shall the amount of the rate payable in respect of any tenement (other than land on which there is no building) be less than Thirty shillings, and in respect of land on which there is no building less than Five shillings.

Such rates are made and shall be levied upon the owners or occupiers of the said lands and tenements for the year commencing the 1st day of January, 1949, and shall be payable on the 1st day of April, 1949, at the office of the said Trust.

The maximum quantity of water to be supplied in any one year without further charge to any property rated by the Trust is hereby fixed at the quantity which, at the charge of One shilling per 1,000 gallons, would produce an amount equal to the amount of the rate levied on such property for the said year.

The charge for water supplied by measure to any property rated by the Trust in excess of such maximum quantity, computed as in the last preceding clause, is hereby fixed at Six pence per 1,000 gallons.

The charge for water supplied by measure shall be payable, on demand, at the office of the Trust.

A minimum charge of Seven shillings and six pence shall be chargeable to persons using water for garden or other like purposes, but the Trust may install a meter on the premises concerned, in which case the said charge will be discontinued.

Passed this 8th day of March, 1949.

(SEAL) J. R. RENNIE, Chairman.
J. WALKER, Secretary.

Approved by the Governor in Council,
15th March, 1949.

A. MAHLSTEDT,
Clerk of the Executive Council.

ROMSEY WATERWORKS TRUST.

FIXING THE LIMIT OF A BANK OVERDRAFT.

HIS Excellency the Lieutenant-Governor of the State of Victoria, by and with the advice of the Executive Council thereof, doth by Order made on the 15th day of March, 1949, in pursuance of the provisions of section 273 of the *Water Act 1928* (No. 3801), hereby fix the limit of the overdraft to be obtained by the Romsey Waterworks Trust from the National Bank of Australasia Limited, Romsey, at an amount not to exceed at any one time the sum of Four thousand pounds (£4,000).

A. MAHLSTEDT,
Clerk of the Executive Council.

At the Executive Council Chamber,
Melbourne, the 15th day of March, 1949.

Farmers' Debts Adjustment Act 1935.

ISSUE OF STAY ORDER.

NOTIFICATION is hereby given that a Stay Order has been issued to the under-mentioned person, such Stay Order to take effect on and from 15th March, 1949:—

No.; Name; Address.

4433; Muirhead, John Maltman; Turriff East.

W. J. EVANS, Secretary,
Farmers' Debts Adjustment Board.

22nd March, 1949.

Country Fire Authority Act 1944.

COUNTRY FIRE AUTHORITY.

PERMISSION TO HOLD FIRE BRIGADE DEMONSTRATIONS.

IN pursuance with the provisions of section 79 (1) and (2) of the *Country Fire Authority Act 1944*, the Country Fire Authority has granted permission to hold Fire Brigade Demonstrations at the places and on the dates respectively specified hereunder:—

Place; Date.

Town of Nhill; 26th November, 1949.

Town of Colac; 3rd December, 1949.

G. G. SINCLAIR,
Secretary.

60 Market-street, Melbourne, C.1, 16th March, 1949.

STAMPS ACT 1946.

IN pursuance of the powers contained in the *Stamps Act 1946*, I hereby certify, until further notice, that Blue Moon Gold Mine No Liability is engaged solely or principally in the search or mining for gold.

Dated the 23rd day of March, 1949.

W. E. CAMIER,
Comptroller of Stamps.

DEPARTMENT OF MINES.

SUBJECT to any necessary excisions, &c., it is proposed to grant the following leases:—

11251, Bendigo; New Chum Syncline Gold Mine N. L.; 28a. 3r. 6p., in the Parish of Sandhurst.

8216, Beechworth; Carlos Nunes Keppel; 30a. 3r. 20p., in the Parish of Kevington.

8219, Beechworth; Carlos Nunes Keppel; 34a. 1r. 13p., in the Parish of Kevington.

9051, Castlemaine; Wilfred Albert Clayton and David Lyle Dexter; 28a. 3r. 24p., in the Parish of Queenstown.

9057, Castlemaine; Edward Michael Elliott; 12a. 2r. 21p., in the Parish of Queenstown.

7100, Mineral; State Electricity Commission of Victoria; 5 acres, in the Parish of Tanjil East.

7118, Mineral; Albert Ernest Rodda; 3a. 0r. 18p., in the Parish of Moe.

APPLICATIONS FOR MINING LEASES DECLARED ABANDONED.

5510, Gippsland; Leslie Bluett and Leslie Frederick McKay; 31a. 1r. 14p., in the Parish of Errinundra.

7020, Maryborough; Central Victoria Dredging Company N. L.; 180 acres, in the Parish of Glenlegie.

7074, Mineral; Alfred Valentine Morgan; 2a. 1r. 14p., in the Parish of Allambee East.

7075, Mineral; Alfred Valentine Morgan; 3a. 0r. 6p., in the Parish of Allambee East.

7147, Mineral; John Wynne Alexander; 26 acres, in the Parish of Clarendon.

H. E. BOLTE,
Minister of Mines.

DEPARTMENT OF LAW.—SOLICITOR-GENERAL.

REVOCATION OF APPOINTMENT OF PLACE FOR HOLDING COURTS OF PETTY SESSIONS, ETC. ETC.

HIS Excellency the Lieutenant-Governor of the State of Victoria, by and with the advice of the Executive Council thereof, by Order made on the 15th day of March, 1949, doth hereby:—(a) pursuant to section 62 of the *Justices Act 1928*, revoke the appointment of Essendon as a place for holding Courts of Petty Sessions, and direct that such court situate at the Court House in Mt. Alexander-road, Moonee Ponds, be closed as from and after the 30th April, 1949, and that the books and other records of the said court and of the clerk thereof be delivered to the Clerk of Petty Sessions at Moonee Ponds; and (b) pursuant to the provisions of section 61 of the *Justices Act 1928*, appoint Moonee Ponds a place at which Courts of Petty Sessions shall be held; the sittings of such court to be held at the Court House situate in Mt. Alexander-road, Moonee Ponds, on every Wednesday and Friday, at Ten o'clock a.m., as from and inclusive of the 1st May, 1949.

A. MAHLSTEDT,
Clerk of the Executive Council.

At the Executive Council Chamber,
Melbourne, the 15th day of March, 1949.

REVOCATION AND EXCISION OF CROWN
RESERVATIONS ACT 1948.

*At the Executive Council Chamber, Melbourne, the
eighth day of March, 1949.*

PRESENT:

His Excellency the Lieutenant-Governor of Victoria.	
Mr. Oldham	Lieut.-Col. Leggatt
Brigadier Tovell	Mr. Bolte.
Mr. McDonald	

REVOCATION AND EXCISION OF CROWN
RESERVATIONS ACT 1948.

*At the Executive Council Chamber, Melbourne, the
eighth day of March, 1949.*

PRESENT:

His Excellency the Lieutenant-Governor of Victoria.	
Mr. Oldham	Lieut.-Col. Leggatt
Brigadier Tovell	Mr. Bolte.
Mr. McDonald	

REVOCATION OF RESERVATION OF CERTAIN LAND
IN THE TOWN OF COBDEN.

IN pursuance of the provisions of section 2 (1) of the *Revocation and Excision of Crown Reservations Act 1948* (No. 5354), the Lieutenant-Governor of the State of Victoria, by and with the advice of the Executive Council of the said State, doth hereby revoke the permanent reservation by Order of 1st October, 1883, of an area of 1 rood of land in the Town of Cobden as a site for a Temperance Hall, as notified on page 2326 of the *Government Gazette* of the 5th October, 1883.—(C.63657.)

And the Honorable Rutherford Campbell Guthrie, His Majesty's Commissioner of Crown Lands and Survey, shall give the necessary directions accordingly.

A. MAHLSTEDT,
Clerk of the Executive Council.

Published in lieu of the Order appearing in the *Gazette* of the 16th March, 1949, page 1749.

REVOCATION OF RESERVATION OF CERTAIN LAND
IN THE PARISH OF SANDHURST, MUNICIPAL
DISTRICT OF EAGLEHAWK.

IN pursuance of the provisions of section 2 (1) of the *Revocation and Excision of Crown Reservations Act 1948* (No. 5354), the Lieutenant-Governor of the State of Victoria, by and with the advice of the Executive Council of the said State, doth hereby revoke the permanent reservation by Order of 17th December, 1889, of an area of 3 roods 38 perches of land in the Parish of Sandhurst, Municipal District of Eaglehawk, as a site for a Market, as notified on page 4462 of the *Government Gazette* of 20th December, 1889.

And the Honorable Rutherford Campbell Guthrie, His Majesty's Commissioner of Crown Lands and Survey, shall give the necessary directions accordingly.

A. MAHLSTEDT,
Clerk of the Executive Council.

Published in lieu of the Order appearing in the *Gazette* of the 16th March, 1949, page 1749.

PRICES REGULATION ACT 1948.

*At the Executive Council Chamber, Melbourne, the
fifteenth day of March, 1949.*

PRESENT:

His Excellency the Lieutenant-Governor of Victoria.	
Mr. Kennedy	Lieut.-Col. Dennett.
Mr. Guthrie	

NOTICE OF DECLARATION OF CERTAIN GOODS AS DECLARED
GOODS FOR THE PURPOSES OF PART II. OF THE PRICES
REGULATION ACT 1948.

IN pursuance of the powers conferred upon him by the *Prices Regulation Act 1948*, His Excellency the Lieutenant-Governor of Victoria, by and with the advice of the Executive Council thereof, doth hereby declare the following goods to be declared goods for the purposes of Part II. of the said Act, that is to say:—

Groceries and Other Foodstuffs.

Bi-carbonate of soda.
Tartaric acid.
Cream of tartar.
Food phosphate aerators.

China.

Crockery of the following descriptions, viz.:—Dishes, dinner sets, utility sets, tea sets and coffee sets.

The headings shown in this Notice are to facilitate reference to the goods which are the subject of this Notice, and shall not be read or construed as limiting or defining the scope of any of the items under the headings or of the goods included in such items.

And the Honorable Trevor Donald Oldham, His Majesty's Attorney-General for the State of Victoria, shall give the necessary directions herein accordingly.

A. MAHLSTEDT,
Clerk of the Executive Council.

DEPARTMENT OF LANDS AND SURVEY.

At the Executive Council Chamber, Melbourne, the
fifteenth day of March, 1949.

PRESENT:

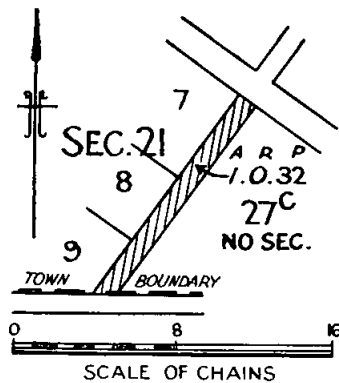
His Excellency the Lieutenant-Governor of Victoria.

Mr. Kennedy | Lieut.-Col. Dennett.
Mr. Guthrie |

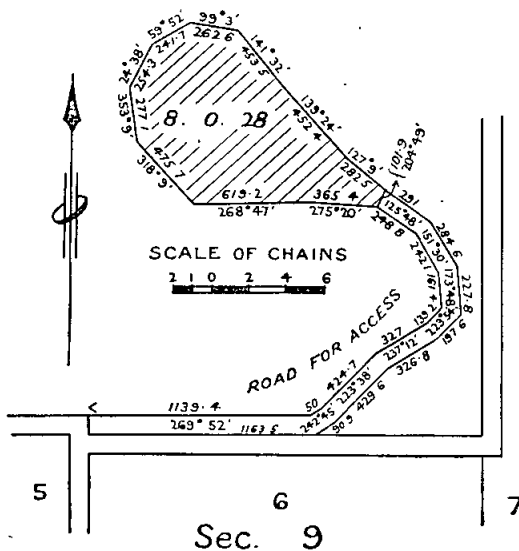
LANDS TEMPORARILY RESERVED FROM SALE.

HIS Excellency the Lieutenant-Governor of the State of Victoria, by and with the advice of the Executive Council thereof, doth hereby, in pursuance of the provisions of the *Land Act 1928*, reserve, temporarily, and also except from occupation for mining purposes under any miner's right, the lands hereinafter described:—

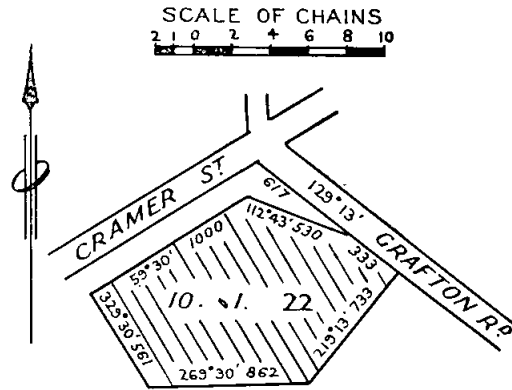
BRIDGEWATER.—Site for Public Recreation, 1 acre 0 rood 32 perches, Town of Bridgewater, Parish of Bridgewater, County of Bendigo, as indicated by hachure on plan hereunder.—(B.437(4) (Rs.1932).



FRANKLIN.—Site for Public Recreation, 8 acres 0 rood 28 perches, Parish of Franklin, County of Talbot, as indicated by hachure on plan hereunder.—(F.77(5) (Rs.2526).

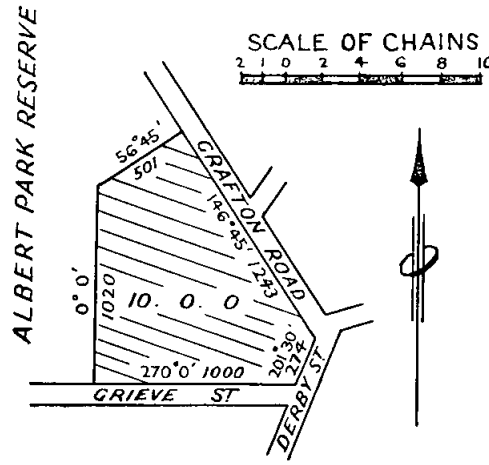


WARRNAMBOOL.—Site for Educational purposes, 10 acres 1 rood 22 perches, City of Warrnambool, Parish of Wangoom, County of Villiers, as indicated by hachure on plan hereunder.—(W.99(5) (Rs.6333).



ALBERT PARK RESERVE

WARRNAMBOOL.—Site for a Quarry, 10 acres, City of Warrnambool, Parish of Wangoom, County of Villiers, as indicated by hachure on plan hereunder.—(W.99(5) (Rs.6332).



And the Honorable Rutherford Campbell Guthrie, His Majesty's Commissioner of Crown Lands and Survey for the State of Victoria, shall give the necessary directions herein accordingly.

A. MAHLSTEDT,
Clerk of the Executive Council.

DEPARTMENT OF LANDS AND SURVEY.

At the Executive Council Chamber, Melbourne, the
fifteenth day of March, 1949.

PRESENT:

His Excellency the Lieutenant-Governor of Victoria.

Mr. Kennedy | Lieut.-Col. Dennett.
Mr. Guthrie |

ROAD IN THE TOWN AND PARISH OF CRESWICK
—REDUCED IN WIDTH.

HIS Excellency the Lieutenant-Governor of the State of Victoria, by and with the advice of the Executive Council thereof, in accordance with the provisions of and in exercise of the powers conferred by the *Local Government Act 1946*, doth, by this Order, confirm the scheme for the reduction in width of the road in the Town and Parish

of Creswick in the County of Talbot in the State of Victoria, as set out in an agreement deposited in the Office of Lands and Survey, Melbourne, the said scheme being under the seal of the corporation of the President, Councillors, and Ratepayers of the Shire of Creswick of the first part, the seal of the Board of Land and Works of the second part, and under the hands of the persons whose signatures are subscribed to the said scheme and who are called the parties of the third part.—(C.90222.)

And the Honorable Rutherford Campbell Guthrie, His Majesty's Commissioner of Crown Lands and Survey for the State of Victoria, shall give the necessary directions herein accordingly.

A. MAHLSTEDT,
Clerk of the Executive Council.

DEPARTMENT OF LANDS AND SURVEY.

At the Executive Council Chamber, Melbourne, the
fifteenth day of March, 1949.

PRESENT:

His Excellency the Lieutenant-Governor of Victoria.
Mr. Kennedy | Lieut.-Col. Dennett.
Mr. Guthrie

REVOCATION OF A PERMANENT RESERVATION OF
LAND AT DENNINGTON.

HIS Excellency the Lieutenant-Governor of the State of Victoria, by and with the advice of the Executive Council thereof, doth hereby, in pursuance of section 2 of the Land Act 1941, revoke the Order in Council of the 28th September, 1863, permanently reserving various sites for the purpose of Common Schools, so far only as regards that portion in the Township of Dennington, being allotments 7, 11, and 12, section 6, containing 3 roods 11 perches, reserved as a site for a National School.—(C.64125.)

And the Honorable Rutherford Campbell Guthrie, His Majesty's Commissioner of Crown Lands and Survey for the State of Victoria, shall give the necessary directions herein accordingly.

A. MAHLSTEDT,
Clerk of the Executive Council.

REVOCATION AND EXCISION OF CROWN
RESERVATIONS ACT 1948.

At the Executive Council Chamber, Melbourne, the
fifteenth day of March, 1949.

PRESENT:

His Excellency the Lieutenant-Governor of Victoria.
Mr. Kennedy | Lieut.-Col. Dennett.
Mr. Guthrie

REVOCATION OF RESERVATION OF CERTAIN LAND
IN THE PARISH OF FRANKLIN.

IN pursuance of the provisions of section 2 (1) of the Revocation and Excision of Crown Reservations Act 1948 (No. 5354), the Lieutenant-Governor of the State of Victoria, by and with the advice of the Executive Council of the said State, doth hereby revoke the permanent reservation by Order of 12th June, 1876, of an area of 157 acres 0 roods 34 perches of land in the Parish of Franklin as a site for Recreation, as notified on page 1149 of the Government Gazette of the 16th June, 1876, being part of the land temporarily reserved therefor by Order of the 24th September, 1866.—(Rs.2526.)

And the Honorable Rutherford Campbell Guthrie, His Majesty's Commissioner of Crown Lands and Survey for the State of Victoria, shall give the necessary directions herein accordingly.

A. MAHLSTEDT,
Clerk of the Executive Council.

THE SLUM RECLAMATION AND HOUSING ACTS.

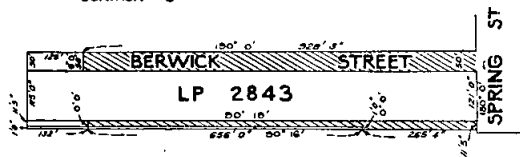
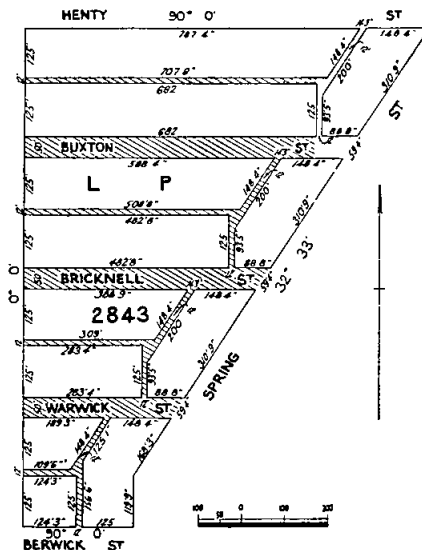
At the Executive Council Chamber, Melbourne, the
fifteenth day of March, 1949.

PRESENT:

His Excellency the Lieutenant-Governor of Victoria.
Mr. Kennedy | Lieut.-Col. Dennett.
Mr. Guthrie

CLOSING OF STREETS—CITY OF PRESTON.

WHEREAS by virtue and in exercise of the powers contained in the Slum Reclamation and Housing Acts, the Housing Commission has recommended to the Governor in Council that the streets in the municipality of the City of Preston, shown hatched on the plan annexed, be closed: Now therefore, His Excellency the Lieutenant-Governor of the State of Victoria in the Commonwealth of Australia, by and with the advice of the Executive Council thereof doth, in pursuance of the powers conferred by the said Acts, and upon such recommendation, consent, and by this Order, hereby close such streets.



And the Honorable Arthur George Warner, His Majesty's Minister in Charge of Housing for the State of Victoria, shall give the necessary directions herein accordingly.

A. MAHLSTEDT,
Clerk of the Executive Council.

LANDLORD AND TENANT ACT 1948.

At the Executive Council Chamber, Melbourne, the
fifteenth day of March, 1949.

PRESENT:

His Excellency the Lieutenant-Governor of Victoria.
Mr. Kennedy | Lieut.-Col. Dennett.
Mr. Guthrie

WHEREAS the Governor in Council, for the purposes of the Landlord and Tenant Act 1948, as amended by the Landlord and Tenant (Amendment) Act 1948, may, by Order published in the Government Gazette, constitute Fair Rents Boards at such places and in respect of premises in such areas as he thinks fit, and may, by like Order, abolish any Fair Rents Board, and by the same or any subsequent Order make provision for the transfer of pending proceedings before such Board to some other

Board: And whereas certain Fair Rents Boards have, in pursuance of the powers aforesaid, been constituted at certain places: And whereas it is expedient to abolish one of such Boards and to constitute other Boards, and to make the provision hereinafter appearing for the transfer of pending proceedings before the Board so abolished to other Boards: Now therefore, His Excellency the Lieutenant-Governor of the State of Victoria, by and with the advice of the Executive Council thereof, and in pursuance of the powers conferred upon him as aforesaid, doth hereby make the following Orders, that is to say:—

1. The Fair Rents Board known as the Metropolitan Fair Rents Board, which was constituted by the Order in Council published in the *Government Gazette* on the 27th October, 1948, is hereby abolished.

2. A Fair Rents Board to be known as the Metropolitan Fair Rents Board is hereby constituted at Melbourne, and such Board shall exercise the powers conferred by the above-mentioned Acts in respect of any premises situate within the metropolitan area as defined in the Schedule to this Order, and Roy Ellerslie Stapleton is hereby, for the time being, assigned to be the stipendiary magistrate constituting such Board.

3. A Fair Rents Board is hereby constituted at Lilydale, a place at which a Court of Petty Sessions is appointed to be holden, and such Fair Rents Board shall exercise the powers conferred by the above-mentioned Acts in respect of all premises (other than premises within the said metropolitan area) which are nearer to the place at which such Board is constituted than to the place at which any other Board is constituted, and the stipendiary magistrate from time to time assigned to adjudicate at the Court of Petty Sessions at Lilydale is hereby, for the time being, assigned to be the stipendiary magistrate constituting such Board.

4. All proceedings which, at the date of the publication of this Order, were pending before the Board, abolished by this Order in respect of premises situate within the said metropolitan area, or within the North Riding and Western Riding of the Shire of Lilydale, shall be transferred to the Metropolitan Fair Rents Board constituted under this Order.

SCHEDULE.

The metropolitan area shall consist of the following municipalities and portions of municipalities:—

Cities of Box Hill, Brighton, Brunswick, Camberwell, Caulfield, Chelsea, Coburg, Collingwood, Essendon, Fitzroy, Footscray, Hawthorn, Heidelberg, Kew, Malvern, Melbourne, Moorabbin, Mordialloc, Northcote, Nunawading, Oakleigh, Port Melbourne, Prahran, Preston, Richmond, Sandringham, South Melbourne, St. Kilda, and Williamstown; the River Riding, Central Riding, and Southern Riding of the Shire of Braybrook; that portion of the Shire of Broadmeadows which is south of the northern boundaries of the Parishes of Jika Jika and Douita Galla; the Shire of Doncaster and Templestowe; the Southern Riding and Northern Riding of the Shire of Eltham; that portion of the Shire of Keilor which is south-east of the Albion-Broadmeadows railway line; the Shire of Mulgrave, except that portion which is east of Springvale-road and that portion which is south of North-road and Wellington-road; the Altona Riding of the Shire of Werribee; Borough of Ringwood.

And the Honorable Trevor Donald Oldham, His Majesty's Attorney-General in and for the State of Victoria, shall give the necessary directions herein accordingly.

A. MAHLSTEDT,
Clerk of the Executive Council.

COUNTRY ROADS BOARD.

*At the Executive Council Chamber, Melbourne, the
fifteenth day of March, 1949.*

PRESENT:

His Excellency the Lieutenant-Governor of Victoria.
Mr. Kennedy | Lieut.-Col. Dennett.
Mr. Guthrie

ORDER APPROVING OF A NEW TOURISTS' ROAD IN THE SHIRE OF WINCHELSEA.

WHEREAS the Country Roads Board constituted under the *Country Roads Act 1928* (No. 3662) has represented to His Excellency the Governor in Council that it appears to be desirable that the Ocean-road in the Shire of Winchelsea should be made by the said Board: And whereas the said Board in accordance with the

No. 285.—2601/49.—2

requirements of section 19 of the said cited Act and section 6 of the *Country Roads (Tourists' Roads) Act 1936* has caused to be prepared a map plan and estimate showing the points between which and on and through what land the said new road is proposed to be made and the cost of acquiring the land and constructing the said new road: And whereas on an inspection of the said map and plan and a consideration of the said estimate His Excellency the Governor in Council is satisfied that there are funds legally available for acquiring the land and constructing the said new road: Now therefore be it known by this present Order that His Excellency the Lieutenant-Governor of the State of Victoria with the advice of the Executive Council thereof doth hereby approve of the said road being made, that is to say:—

All that piece of land in the Township of Lorne, Parish of Lorne, the boundaries of which are as follow:—Commencing at the north-eastern angle of allotment 2, section 5, of the said township; thence by lines bearing respectively 180 deg. 0 min. 42.3 links, 307 deg. 7 min. 70.1 links, and 90 deg. 0 min. 55.9 links to the point of commencement—which said piece of land is particularly delineated and shown coloured red on survey plan numbered 5054, lodged in the office of the Country Roads Board.

And the Honorable James Arthur Kennedy, His Majesty's Commissioner of Public Works for the State of Victoria, shall give the necessary directions herein accordingly.

A. MAHLSTEDT,
Clerk of the Executive Council.

COUNTRY ROADS BOARD.

*At the Executive Council Chamber, Melbourne, the
fifteenth day of March, 1949.*

PRESENT:

His Excellency the Lieutenant-Governor of Victoria.
Mr. Kennedy | Lieut.-Col. Dennett.
Mr. Guthrie

ORDER APPROVING OF A NEW MAIN ROAD IN THE CITY OF PRESTON.

WHEREAS the Country Roads Board constituted under the *Country Roads Act 1928* (No. 3662) has represented to His Excellency the Governor in Council that it appears to be desirable that the new Whittlesea-road in the City of Preston should be made by the said Board: And whereas the said Board in accordance with the requirements of section 19 of the said cited Act has caused to be prepared a map plan and estimate showing the points between which and on and through what land the said new road is proposed to be made and the cost of acquiring the land and constructing the said new road: And whereas on an inspection of the said map and plan and a consideration of the said estimate His Excellency the Governor in Council is satisfied that there are funds legally available for acquiring the land and constructing the said new road: Now therefore be it known by this present Order that His Excellency the Lieutenant-Governor of the State of Victoria with the advice of the Executive Council thereof doth hereby approve of the said road being made, that is to say:—

All that piece of land in the Parishes of Jika Jika and Keelbundora, the boundaries of which are as follow:—Commencing at the north-western angle of lot 8 on plan of subdivision numbered 8185, lodged in the Office of Titles, and being part of Crown portion 146, Parish of Jika Jika; thence by a line bearing 66 deg. 58 min. 144 ft. 11 in.; thence south-westerly by the arc of a circle of radius of 560 feet, a distance of 283 ft. 7 in. to a point on the western boundary of lot 7 on the said plan of subdivision, distant 37 deg. 57 min. 1 ft. 5 in. from the south-western angle of the lot last named; thence by a line bearing 37 deg. 57 min. 144 ft. 11 in. to the point of commencement—which said piece of land is particularly delineated and shown coloured red on survey plan numbered 5046, lodged in the office of the Country Roads Board.

And the Honorable James Arthur Kennedy, His Majesty's Commissioner of Public Works for the State of Victoria, shall give the necessary directions herein accordingly.

A. MAHLSTEDT,
Clerk of the Executive Council.

THE CONSTITUTION ACT AMENDMENT ACTS.

At the Executive Council Chamber, Melbourne, the fifteenth day of March, 1949.

PRESENT:

His Excellency the Lieutenant-Governor of Victoria.
Mr. Kennedy | Lieut.-Col. Dennett.
Mr. Guthrie |

REVOCATION OF APPOINTMENT OF POLLING PLACE FOR THE MELBOURNE NORTH PROVINCE.

IN pursuance of the provisions of The Constitution Act Amendment Acts, His Excellency the Lieutenant-Governor of the State of Victoria, by and with the advice of the Executive Council thereof, doth hereby revoke the appointment of—

PRESTON WEST

as a Polling Place for the Coburg Division of the Melbourne North Province.

And the Honorable William Watt Leggatt, His Majesty's Chief Secretary for the State of Victoria, shall give the necessary directions herein accordingly.

A. MAHLSTEDT,
Clerk of the Executive Council.

THE CONSTITUTION ACT AMENDMENT ACTS.

At the Executive Council Chamber, Melbourne, the fifteenth day of March, 1949.

PRESENT:

His Excellency the Lieutenant-Governor of Victoria.
Mr. Kennedy | Lieut.-Col. Dennett.
Mr. Guthrie |

APPOINTMENT OF POLLING PLACE FOR THE MELBOURNE NORTH PROVINCE.

IN pursuance of the provisions of The Constitution Act Amendment Acts, His Excellency the Lieutenant-Governor of the State of Victoria, by and with the advice of the Executive Council thereof, doth hereby appoint—

SPRING MEADOWS

as a Polling Place within and for the Coburg Division of the Melbourne North Province.

And the Honorable William Watt Leggatt, His Majesty's Chief Secretary for the State of Victoria, shall give the necessary directions herein accordingly.

A. MAHLSTEDT,
Clerk of the Executive Council.

DISCHARGED SERVICEMEN'S PREFERENCE ACT 1943 (No. 4989).

At the Executive Council Chamber, Melbourne, the fifteenth day of March, 1949.

PRESENT:

His Excellency the Lieutenant-Governor of Victoria.
Mr. Kennedy | Lieut.-Col. Dennett.
Mr. Guthrie |

REGULATIONS.

IN exercise of the powers conferred by the Discharged Servicemen's Preference Act 1943, the Acts Interpretation Act 1928, and all other powers thereto enabling, the Lieutenant-Governor of Victoria, by and with the advice of the Executive Council thereof, doth hereby

amend Regulations made under the Discharged Servicemen's Preference Act 1943, on the 28th day of February, 1944, as follows (that is to say):—

By deleting clause 4 (a) thereof and substituting therefor the following clause:—

4. (a) The Chairman of the Board shall, for his services, be entitled to receive a salary at the rate of Eight hundred pounds (£800) per annum, plus the amount of the cost of living allowance as determined from time to time, pursuant to the provisions of section 39 of the Public Service Act 1946.

And the Honorable Thomas Tuke Hollway, His Majesty's Premier for the State of Victoria, shall give the necessary directions herein accordingly.

A. MAHLSTEDT,
Clerk of the Executive Council.

APPROACHING LAND SALES.

SALES of Crown lands, in fee-simple, will be held at the under-mentioned places and dates. viz.:—

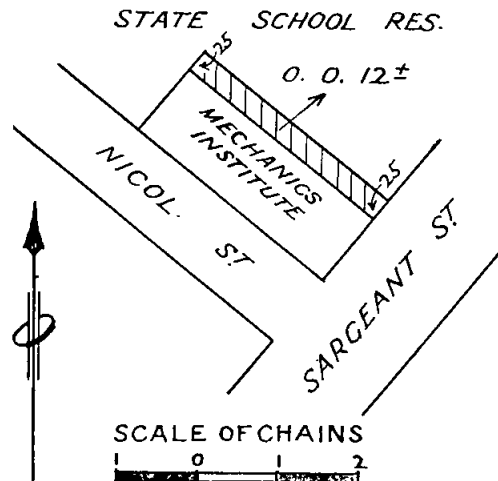
	No. of Gazette.
Ballarat.—Wednesday, 23rd March, 1949 ..	161
Bendigo.—Thursday, 31st March, 1949 ..	161
Castlemaine.—Wednesday, 13th April, 1949 ..	258
Echuca.—Wednesday, 23rd March, 1949 ..	161

PROPOSED REVOCATION OF TEMPORARY RESERVATION OF LAND AND THE WITHHOLDING FROM SALE, LEASING, AND LICENSING OF CERTAIN LAND.

IN pursuance of the provisions of the Land Act 1928, notice is hereby given that it is the intention of the Governor in Council to revoke the temporary reservation and the withholding from sale, leasing, and licensing of certain land by Order in Council hereunder referred to, viz.:—

The following Notice was published 1° on the 2nd March, 1949, pursuant to Order of the 22nd February, 1949.

THOONA.—The temporary reservation as a site for Public purposes (State School) and the withholding from sale, leasing, and licensing, by Order in Council of the 3rd December, 1877, of 5 acres of land, being part of allotment 31 in the Parish of Mokoan, now in the Village of Thoona, revoked as to part by Order of the 18th March, 1890, is about to be further revoked so far only as regards the portion containing 12 perches, more or less, indicated by hachure on plan hereunder.—(T.249(1) (Rs.6023).



R. C. GUTHRIE,
Commissioner of Crown Lands and Survey.

PROPOSED REVOCATIONS OF TEMPORARY RESERVATIONS OF LANDS BY ORDERS IN COUNCIL.

IN pursuance of the provisions of the *Land Act 1928*, notice is hereby given that it is the intention of the Governor in Council to revoke the temporary reservations of lands by Orders in Council hereunder referred to, viz.:—

The following Notices were published 1° on the 2nd March, 1949, pursuant to Orders of the 22nd February, 1949.

LILYDALE.—The temporary reservation by Order in Council of the 19th December, 1938, of 1 acre 0 roods 17 perches of land in the Town of Lilydale, as a site for Market purposes, is about to be revoked.—(L.66(2) (Rs.4885).

WALWA.—The temporary reservation by Order in Council of the 11th May, 1948, of 1 rood of land in the Parish of Walwa, as a site for Police purposes, is about to be revoked.—(W.296(3) (Rs.6166).

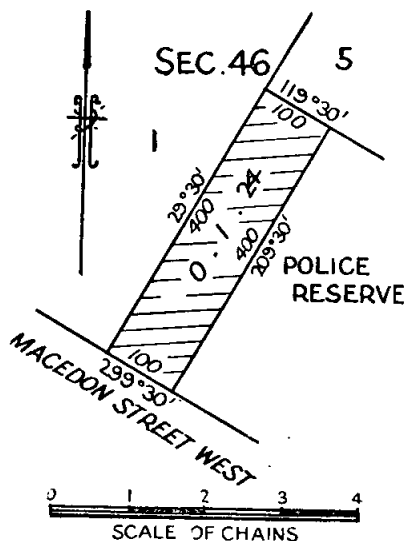
R. C. GUTHRIE,
Commissioner of Crown Lands and Survey.

PROPOSED REVOCATIONS OF TEMPORARY RESERVATIONS OF LANDS BY ORDERS IN COUNCIL.

IN pursuance of the provisions of the *Land Act 1928*, notice is hereby given that it is the intention of the Governor in Council to revoke the temporary reservations of lands by Orders in Council hereunder referred to, viz.:—

The following Notices were published 1° on the 9th March, 1949, pursuant to Orders of the 1st March, 1949.

SUNBURY.—The temporary reservation, by Order in Council of the 30th January, 1865, of 5 acres of land in the Town of Sunbury, as a site for Police purposes, is about to be revoked so far only as regards the portion thereof containing 1 rood 24 perches, indicated by hachure on plan hereunder.—(S.351(4) (C.91235).



NARRAWONG.—The temporary reservation, by Order in Council of the 19th March, 1880, as a site for Public purposes (State School), and withholding from sale, leasing, and licensing of 5 acres of land in the Parish of Narrawong, is about to be revoked.—(N.33(4) (C.91348).

KALKEE.—The temporary reservation, by Order in Council of the 18th December, 1947, of 2 roods of land in the Parish of Kalkee as a site for Public Hall, is about to be revoked.—(K.143(2) (Rs.6095).

R. C. GUTHRIE,
Commissioner of Crown Lands and Survey.

PROPOSED REVOCATION OF TEMPORARY RESERVATION OF LAND BY ORDER IN COUNCIL.

IN pursuance of the provisions of the *Land Act 1928*, notice is hereby given that it is the intention of the Governor in Council to revoke the temporary reservation of land by Order in Council hereunder referred to, viz.:—

The following Notice was published 1° on the 23rd March, 1949, pursuant to Order of the 15th March, 1949.

MARYSVILLE.—The temporary reservation by Orders in Council of the 30th October, 1873, and the 28th January, 1890, of 2 acres 5 perches of land in the Township of Marysville, as a site for State School purposes, is about to be revoked.—(M.431(2) (C.91083).

R. C. GUTHRIE,
Commissioner of Crown Lands and Survey.

COMMITTEES OF MANAGEMENT OF RESERVES.
APPOINTMENTS.

WHEREAS by section 184 of the *Land Act 1928* it is provided that it shall be lawful for the Governor in Council or the Board of Land and Works to appoint and remove any number of persons, not less than three, or any municipal council, or the governing body of any corporation, to be a Committee of Management of any specified Crown land reserved either temporarily or permanently for any of the purposes set out in section 14 of the *Land Act 1928*, and not conveyed to or vested in trustees: Now therefore the Board of Land and Works doth hereby appoint the under-mentioned persons to be members of the Committee of Management of the Reserves named:—

"THE BALLAARAT SHOW YARDS AND PUBLIC RECREATION RESERVE."

William Melville Cuthbertson (for a period of three (3) years from 16th January, 1949) and Otto C. Siemering (as a representative of the Ballaarat Agricultural and Pastoral Society, in the place of Andrew Ross, who has left the district) as members of the Committee of Management of the land permanently reserved by Order in Council dated 9th September, 1935, as a site for Show Yards and Public Recreation in the Parish of Ballaarat, and known as the "Ballaarat Show Yards and Public Recreation Reserve."—(Corres. Rs.2348.)

"BALLIANG PUBLIC HALL" SITE.

Joseph Samuel Beggs, Sylvester William Blomeley, Charles Ernest Fry, Evelyn George Vanstan, and Thomas Leslie McMahon as a Committee of Management for a period of three (3) years of the land temporarily reserved by Order in Council of 18th January, 1949, as a site for a Public Hall in the Township of Staughton Vale, Parish of Balliang, and known as the "Balliang Public Hall" site.—(Corres. Rs.6296.)

"FRIENDLY SOCIETIES' RECREATION GROUND AT WARRNAMBOOL."

Douglas William Conn, representing the Ancient Order of Foresters, in the place of Alex. Hagston, resigned, as a member of the Committee of Management of the land reserved by Orders in Council of the 18th September, 1871, and 23rd April, 1929, as sites for Friendly Societies' Recreation Ground at Warrnambool.—(Corres. Rs.371.)

"LAKE BOGA PUBLIC PARK RESERVE."

Ronald Victor Bennetts, Richard Peel, James Maurice Derham, Thomas Martin, A. Morgan, Thomas S. Slocomb, Allan Gray, and Peter Carruthers Kelly as the Committee of Management for a period of three (3) years from the 21st February, 1949, of the land temporarily reserved by Order in Council dated 18th September, 1923, as a site for Public Park in the Township of Lake Boga, Parish of Kunat Kunat, and known as the "Lake Boga Public Park Reserve."—(Corres. Rs.2824.)

"DARTMOOR PUBLIC HALL RESERVE."

Nellie McKinnon, Edgar Brian Hilditch, William Stuchbery, William Colin Thomas, Charles Thomas Partington, Arthur Victor Schreier, and Spencer William Ward as the Committee of Management for a period of three (3) years from the 9th February, 1949, of the land in the Town of Dartmoor temporarily reserved by Order in Council of 2nd September, 1919, as a site for a Public Hall, and known as the "Dartmoor Public Hall Reserve."—(Corres. Rs.322.)

"PIRRON YALLOCK MECHANICS' INSTITUTE."

Neil J. Vagg, C. H. Gore, T. R. Kelly, E. L. Ridgeway, J. McCorkell, and Neil G. Mathieson as a Committee of Management for a period of three (3) years from 28th February, 1949, of the land temporarily reserved by Order in Council dated 19th April, 1898, as a site for a Mechanics' Institute in the Township of Pirron Yallock, and known as the "Pirron Yallock Mechanics' Institute."—(Corres. Rs.4908.)

"MORRISONS RECREATION RESERVE."

Clarence Victor Miller, John Leslie Egerton Spriggs, Thomas Waldron Atchison (the younger), Duncan Fitzhugh Bayard, and Clifford Alexander Ford as a Committee of Management for a period of three (3) years from 28th December, 1948, of the lands temporarily reserved by Orders in Council dated 4th January, 1883, and 12th October, 1909, for Cricket and other purposes of Public Recreation in the Parish of Borhoneyghurk, and known as "Morrison's Recreation Reserve."—(Corres. Rs.2459.)

"TARRAVILLE RECREATION RESERVE."

Thomas Leslie Murphy, Leslie Alan Ray, Thomas Michael Murphy, William Thomas Smith, John Joseph Furlong, Vernon Henry Ray, Sydney Dale Lang, Leslie William Groombridge, Richard Henry Warragh, and Leonard James Ray as a Committee of Management for a period of three (3) years from 28th February, 1949, of the land temporarily reserved by Order in Council dated the 31st March, 1927, as a site for Public Recreation in the Parish of Tarra Tarra, Town of Tarraville, and known as the "Tarraville Recreation Reserve."—(Corres. Rs.3437.)

"UPPER BEACONSFIELD PUBLIC HALL AND CHILDREN'S PLAYGROUND RESERVES."

Eugenie Margaret Richardson, William Henry Russell, Olive May Elliott, William Colin Begg, Erin Sigrid Knapton, Donald James Sutherland, and William John Lang as a Committee of Management for a period of one (1) year from 31st January, 1949, of the land temporarily reserved by Orders in Council dated 29th July, 1940, and 23rd September, 1940, as sites for a Children's Playground and Public Hall respectively in the Parish of Gembrook, at Upper Beaconsfield, and known as "Upper Beaconsfield Children's Playground and Upper Beaconsfield Public Hall Reserves."—(Corres. Rs.5102, Rs.5066.)

"ESKDALE RACECOURSE AND RECREATION RESERVE (ESK PARK.)"

Gordon Wilson, Kenneth Kennedy, William Forster, Patrick Darcy, Robert Thompson, Cleaver Ley, and Henry Bock as the Committee of Management for a period of three (3) years from 15th March, 1949, of the land temporarily reserved by Order in Council dated the 15th August, 1898, as a site for a Racecourse and for Public Recreation in the Township of Eskdale, and known as the "Eskdale Racecourse and Recreation Reserve (Esk Park)."—(Corres. Rs.165.)

"BELGRAVE CENTRAL PARK RESERVE."

Claude Brian Crook and Alexander Humphrey Hall as members of the Committee of Management for the period ending 21st April, 1950, of the land temporarily reserved by Order in Council dated the 15th December, 1925, as a site for Public Purposes in the Parish of Narrre Worrana, and known as the "Belgrave Central Park Reserve," in the place of Dudley Smale and Orlando Hunter, both resigned.—(Corres. Rs.4028.)

"BOOLARRA MEMORIAL PARK."

William Frederick Robbins, Edmund Kay Penaluna, Frederick Victor Primrose, Arthur Albert Mills, Raymond Frederick Robbins, George Witham, and Alan Hall as a Committee of Management for a period of three (3) years from 31st January, 1949, of the land temporarily reserved by Order in Council dated the 28th January, 1927, as a site for Public Recreation in the Parish of Narracan South, and known as the "Boolarra Memorial Park."—(Corres. Td.3415.)

"MANSFIELD (LORD'S) CRICKET AND RECREATION RESERVE."

John Gordon Smith, Stephen Douglas Watsford, and Thomas Priestley Whitmore as a Committee of Management for a period of three (3) years from 28th February, 1949, of the land temporarily reserved by Order in Council dated 28th November, 1887, as a site for Cricket and other purposes of Public Recreation in the Town of Mansfield, and known as the "Mansfield (Lord's) Cricket and Recreation Reserve."—(Corres. Rs.2021.)

"BEACONSFIELD PUBLIC HALL RESERVE."

Florence Mary Baker, Patricia Joan Roberts, Harry Josiah Pateman, Leonard Arthur Brown, William Archer Nixon, Ernest Henry Grant, and Marcus Anderson Bain as a Committee of Management for a period of one (1) year from the 13th February, 1949, of the land temporarily reserved by Order in Council dated 8th November, 1943, as a site for a Public Hall in the Parish of Pakenham, and known as the "Beaconsfield Public Hall Reserve."—(Corres. Rs.5406.)

"TATURA PUBLIC GARDENS RESERVE."

William Robbie Ponting, Hubert Staner Reilly, James Joseph Cummins, Trevor Leon La Peyre, Thomas Patrick Flanagan, and Colin Campbell Gayland as a Committee of Management for a period of three (3) years of the land temporarily reserved as a site for Public Gardens, situated in Service-street, in the Town of Tatura, and known as "Tatura Public Gardens Reserve."—(Corres. Rs.651.)

"WAHGUNYAH PUBLIC PURPOSES RESERVE."

Charles Leonard Dobbin, Thomas Ley Grantham, Ronald Kenneth Tate, Stanley Nott, Albert Edward Parry, Percy Edwin Chandler, and James Daniel Yates as a Committee of Management for a period of three (3) years from 11th February, 1949, of the land temporarily reserved by Order in Council dated the 9th November, 1914, as a site for Public Purposes in the Parish of Carlyle, and known as the "Wahgunyah Public Purposes Reserve."—(Corres. Rs.331.)

"TUNGAMAH MECHANICS' INSTITUTE AND FREE LIBRARY RESERVE."

William John Allen, Peter N. Peters, Edward J. May, William E. B. Cooper, Ralph B. Webb, and Matthias L. Tait as a Committee of Management for a period of three (3) years from 27th March, 1949, of the land permanently reserved by Order in Council dated the 28th November, 1887, as a site for a Mechanics' Institute and Free Library, at Tungamah, and known as the "Tungamah Mechanics' Institute and Free Library."—(Corres. Rs.5283.)

"BALLAARAT EAST PUBLIC GARDENS."

The Council of the City of Ballaarat as a Committee of Management of the land temporarily reserved by Order in Council dated the 22nd February, 1949, as a site for Public Gardens in the City of Ballaarat, at Ballaarat East.—(Corres. Rs.6129.)

"ESKDALE MECHANICS' INSTITUTE RESERVE."

Patrick Loftus Darcy, Francis John Andrews, William John Forster, James Isaac Larsen, Henry Francis Bock, Thomas Cleaver Ley, and Edward George Drummond as a Committee of Management for a period of three (3) years from 2nd March, 1949, of the land temporarily reserved by Order in Council dated 7th May, 1889, as a site for a Mechanics' Institute and Free Library in the Town of Eskdale, and known as the "Eskdale Mechanics' Institute and Free Library."—(Corres. Rs.4973.)

"WARRACKNABEAL SHOW YARDS RESERVE."

Robert Obed Gould, Thomas David Arnold, Corrie Spencer Rodda, Hermann Johannes Bunge, Frederick George Hewitt, Ernest Henry Reed, and Wilfred Arthur Hewitt as a Committee of Management for a period of three (3) years from 28th February, 1949, of the lands reserved by Orders in Council dated 26th February, 1889, 2nd April, 1889, 8th September, 1892, and 2nd May, 1922, as sites for Show Yards in the Town of Warracknabeal, and known as the "Warracknabeal Show Yards Reserve."—(Corres. Rs.11.)

"ELLAM RECREATION RESERVE."

Thomas Lionel Smith, Herbert William Ernest Solly, Albert Edward Monssen, Neil Leitch McKenzie, George Benjamin McKenzie, Albert Vivian Sleep, Ernest Balfour Smith, Harold Walter Smith, and Clifford Ronald Smith as a Committee of Management for a period of three (3) years from 9th March, 1949, of the land temporarily reserved by Order in Council dated 24th October, 1932, as a site for Public Recreation in the Parish of Hindmarsh, at Ellam, and known as the "Ellam Recreation Reserve."—(Corres. Rs.4268.)

"TUNGAMAH RACECOURSE AND RECREATION RESERVE."

Allan James Lawrence, Andrew S. Mulquiney, William Edwin B. Cooper, Charles Thomas Roberts, Matthias L. Tait, Charles Sampson, and Ralph B. Webb as a Committee of Management for a period of three (3) years from the 28th February, 1949, of the land temporarily reserved by Order in Council dated 5th March, 1906, as a site for a Racecourse and other purposes of Public Recreation in the Town of Tungamah, and known as the "Tungamah Racecourse and Recreation Reserve."—(Corres. Rs.2711.)

In witness whereof the common seal of the Board of Land and Works was hereunto affixed, this sixteenth day of March, One thousand nine hundred and forty-nine, in the presence of—

(SEAL) R. C. GUTHRIE, President.
J. E. HUNTER, Member.

REGULATIONS FOR THE CARE, PROTECTION, AND MANAGEMENT OF THE "ECHUCA EAST RECREATION RESERVE."

WHEREAS by section 181 of the *Land Act* 1928, as re-enacted by section 9 of the *Land Act* 1941, power is given to the Board of Land and Works to make Regulations in respect of the care, protection, and management of any Crown land which has been reserved under the Land Acts for any purpose whatsoever, and which has not been conveyed to or vested in trustees, and for the further purposes as enacted: Now, therefore, the Board of Land and Works, in pursuance of the powers conferred as aforesaid, doth hereby make the following Regulations in respect of the lands temporarily reserved by Orders in Council of 12th March, 1946, and 19th October, 1948, in the Town of Echuca, Parish of Echuca North, as sites for Public Recreation, and together known as the "Echuca East Recreation Reserve."

REGULATIONS.

1. No person shall interfere with or damage the trees, shrubs, grass, flowers, statuary, fountains, fish or any property in the Reserve, or throw stones or any other missiles, beat carpets, dry clothes, or commit any nuisance therein.
2. No person shall leave any bottles, paper, orange peel, cast-off clothing or litter in the Reserve except in the receptacles provided.
3. No person shall climb upon or jump over any buildings, seats, or fences in or on the Reserve, lie on any seats, steps, gangways, or landings, or sit in or on any gangway, steps, or landings, or stick bills on cut letters or marks on, write upon or otherwise deface buildings, seats, fences, gates, posts, or trees therein.
4. No person, except those in the employ of or authorised by the Committee of Management, shall bring any horse or vehicle into plots of ground enclosed for plantation, garden, or other purposes.
5. No person shall bring into the Reserve any dog, unless controlled by a chain or cord. No dog shall be allowed in the Reserve except as hereinbefore provided, and all dogs, goats, pigs, and poultry found in the Reserve shall be liable to be destroyed, and the owner shall make compensation, to be recovered before any justice, for any damage done.
6. No children under five (5) years of age shall be allowed in the Reserve unless in the charge of adult friends or nurses.
7. Any person found in a state of intoxication or behaving in a disorderly or objectionable manner, or creating or taking part in any disturbance, or committing in the Reserve any act or indecency, shall be liable to be forthwith removed by any authorized officer or servant of the Committee of Management, or by any police constable, and shall be guilty of an offence against these Regulations.
8. The Committee of Management shall have the power to hold entertainments or performances in the Reserve, and to adopt and enforce a scale of charges for admission thereto, and also may make a charge for the admission of any motor car or other vehicle as provided hereinafter, but on not more than fifty-two (52) occasions in any one year.

9. The Committee of Management shall have the power to let the whole or any portion of the Reserve to any club, association, or person for the purpose of cricket, football, and similar games or for holding agricultural shows, entertainments, performances, or sports, and to authorize such club, society, association, or person to make a charge for admission thereto as hereinafter provided, and may demand the full rental in advance or on such terms as shall be specified in any authority issued by the said Committee in accordance with this Regulation.

10. The Reserve shall be open to the public from sunrise to sunset, free of charge, except on such days as the Reserve may be set apart by the Committee of Management for cricket or football matches, fêtes, sports, or holiday amusements, on any of which occasions the maximum scale of fees which may be charged or taken for admission to the Reserve, and to any stand, building, erection, or enclosure for the time being thereon, exclusive of tax, shall be as follows:—

- (a) For the admission of each person to the Reserve, such sum as the Committee of Management may from time to time determine, not exceeding 2s. 6d.
- (b) For the admission of each person to any stand, building, erection, or enclosure, such sum as the Committee of Management may from time to time determine, not exceeding 10s. 6d.
- (c) For the admission of each saddle horse, exclusive of rider, such sum as the Committee of Management may from time to time determine, not exceeding 2s.
- (d) For the admission of any carriage, cart or other vehicle, exclusive of passengers, drawn by one horse or other animal, such sum as the Committee of Management may from time to time determine, not exceeding 2s.
- (e) For the admission of any carriage, cart or other vehicle, exclusive of passengers drawn by two or more horses or other animals, such sum as the Committee of Management may from time to time determine, not exceeding 4s.
- (f) For the admission of any vehicle driven by motor power, exclusive of passengers, such sum as the Committee of Management may from time to time determine, not exceeding 4s.

11. No person except the members of the Committee of Management and officers and employees of the said Committee on duty shall enter or drive or otherwise propel any motor car or other vehicle into any portion of the Reserve, when a charge is made for admission without first paying the fee charged, unless otherwise authorized by the Committee of Management.

12. No person shall carry firearms in or through the Reserve, or shoot, snare, or destroy any birds therein, unless by authority of the Committee of Management.

13. No person shall engage in cricket, football, tennis, hockey, lacrosse, or any like game or training in the Reserve, without the written authority of the Committee of Management and payment of any fees or charges that may be fixed from time to time by the Committee of Management.

14. No person shall engage in cricket, football, tennis, hockey, lacrosse, or any like game or training in the Reserve on Sunday.

15. No person shall play any unlawful game or by unseemly conduct interfere with the comfort and enjoyment of others within the Reserve.

16. No person shall interfere with or in any way hinder or interrupt in their work any of the employees of the Committee of Management engaged in the Reserve.

17. No person shall sell or offer for sale within the Reserve any article of food or drink, or any other commodity or operate any money-making amusement without the written permission of the Committee of Management, nor without the payment of such fee as the Committee of Management may by resolution determine.

18. No person shall remain in the Reserve at any time when lawfully directed by any officer or employee of the Committee of Management to leave it.

19. No person shall spit or expectorate on the paths or on any structure or erection in the Reserve.

20. No person shall assemble in the Reserve for fêtes, picnics, or concerts, or for the purpose of public worship, preaching or public speaking of any kind, or meeting of a like character, without the permission in writing of the Committee of Management.

21. No person shall light any fires in the Reserve without the written consent of the Committee of Management, and then only where the coppers or fireplaces for supplies of hot water are provided.

22. No male over the age of six years shall enter any building, part of building or enclosure set aside or being used by females, and no female over the age of six years shall enter any building, part of a building or enclosure set aside, or being used by males.

23. Any person driving any horse, motor car, or other vehicle into the Reserve shall tether such horse and park such car or other vehicle in such place and in such manner as any authorized officer of the Committee of Management shall direct.

24. No person shall enter or leave the arena, riding or driving any horse or driving any car or other vehicle at a speed or in any manner dangerous to the onlookers, nor shall a horse be ridden nor a vehicle or motor car be driven among any onlookers. Every such horse, motor car, or vehicle shall travel by the route provided from arena exits to park exit or to horse stalls site or car parking site or vice versa.

25. No person, except with the consent of the Committee of Management, shall ride any bicycle, motor cycle, tricycle, scooter, billy-cart, or other similar velocipede in the Reserve.

26. No person, without the consent of the Committee of Management, shall graze any horse, cow, sheep or other animal within the Reserve, and any wandering stock, or stock tethered without permission, may be impounded by the Committee of Management or its duly authorized officer.

All costs recovered in proceedings for offences committed against the provisions of these Regulations shall be paid into the funds of the Committee of Management of the said Reserve.

Every person who contravenes or fails to comply with these Regulations shall, in accordance with the provisions of section 181 of the *Land Act* 1928, as re-enacted by section 9 of the *Land Act* 1941, for each offence be liable to a penalty of not more than Five pounds, and every person who contravenes or fails to comply with any such Regulation, and who, after he has been warned by any bailiff of Crown lands or by any member of the Police Force, does not desist therefrom, may be forthwith apprehended by such bailiff or member of the Police Force, and taken before some justice to be dealt with according to law, and shall be liable to a penalty of not more than Ten pounds.

The common seal of the Board of Land and Works was hereunto affixed this 16th day of March, 1949, in the presence of—

(SEAL) R. C. GUTHRIE, President.
J. E. HUNTER, Member,

(Rs. 5756.)

The Council of the Borough of Echuca has been appointed a Committee of Management of the above-named Reserve with power and authority to enforce these Regulations.

TENDERS.

TENDERS will be received at this office until **TEN A.M.** on the days and for the purposes under mentioned.

Particulars may be learnt at this Office and also at places shown in parenthesis.

W.O. means Inspector of Works Office; P.S.—Police Station; T.S.—Technical School; H.E.S.—Higher Elementary School; S.S.—State School; H.S.—High School; P.D.—Preliminary deposit; F.D.—Final deposit.

The Board of Land and Works will not necessarily accept the lowest or any tender.

29th March, 1949.

Ascot Vale.—Erection of brick building, P.S. P.D., £25. F.D., 2 per cent.

Ballarat.—Supply and installation of refrigerator for bulk storage of butter, Mental Hospital. P.D., £10. F.D., 2 per cent.

Ballarat.—Supply and installation of steam hot-water service, Senior Medical Officers Quarters, Mental Hospital. (W.O., Ballarat.) P.D., £3. F.D., 2 per cent.

Ballarat.—Supply and delivery of hand-operated bread cutters, Mental Hospital. P.D., £10. F.D., 2 per cent.

Bamawm.—Repairs and painting, school and residence, S.S. No. 1769. (W.O., Bendigo, Shepparton; P.S., Bamawm, Rochester, Echuca; S.S., Bamawm.) P.D., £5.

Burnley.—Supply, delivery, and installation of sixteen (16) millimetre projection and sound equipment, School of Primary Agriculture. P.D., £4. F.D., 2 per cent.

Broadford.—Repairs and painting, S.S. No. 1125. (P.S., Kilmore, Seymour; S.S., Broadford.) P.D., £5. F.D., 2 per cent.

Chocolyn.—Repairs and painting, school and residence, S.S. No. 1014. (W.O., Warrnambool; P.S., Camperdown, Colac; S.S., Chocolyn.) Deposit, £4.

Coburg North-East.—Erection of new brick building, Primary School. P.D., £50. F.D., 2 per cent.

Golden Square.—Alterations to blackboards, removal of platforms, provision of cupboards under blackboards, and minor repairs, S.S. No. 1189. (W.O., Bendigo; P.S., Castle-maine, Elmore, Inglewood.) P.D., £4.

Greenvale.—Supply and installation of central heating system, and extensions to hot-water system, Sanatorium. P.D., £15. F.D., 2 per cent.

Greenvale.—Supply and installation of household-type refrigerator at foreman's residence, Sanatorium. P.D., £2. F.D., 2 per cent.

Hamilton.—Supply and installation of an electric hot-water service, Public Works Department, inspector's residence. (W.O., Warrnambool; P.S., Hamilton.) P.D., £2. F.D., 2 per cent.

Heatherton.—Supply and installation of mechanical exhaust system to kitchen, Sanatorium. P.D., £4. F.D., 2 per cent.

Heatherton.—Supply and installation of an electric hot-water service, staff residence, Sanatorium. P.D., £2. F.D., 2 per cent.

Janefield.—Supply and installation of an electric hot-water service, secretary's quarters, Mental Hospital. P.D., £2. F.D., 2 per cent.

Kardella South.—Repairs and painting, S.S. No. 3603. (W.O., Korumburra; P.S., Leongatha, Mirboo North; S.S., Kardella South.) Deposit, £3.

Kew.—Supply and installation of an electric hot-water service in staff quarters, Mental Hospital. P.D., £2. F.D., 2 per cent.

Manangatang.—Alterations and additions, District Hospital. (W.O., Swan Hill, Bendigo; P.S., Manangatang, Kerang, Piangil.) P.D., £20. F.D., 2 per cent.

Mont Park.—Supply and installation of electric refrigerator at south-east block, Mental Hospital. P.D., £4. F.D., 2 per cent.

Mont Park.—Extensions to central heating and hot-water services, new hospital block, Mental Hospital. P.D., £5. F.D., 2 per cent.

Orbost.—Conversion of shelter shed into class-rooms, H.S. (W.O., Bairnsdale; H.S., Orbost.) P.D., £10. F.D., 2 per cent.

Pakenham.—Sewerage and water supply to junior wing, Consolidated School. (P.S., Dandenong, Oakleigh, Cheltenham; Cons. Sch., Pakenham.) P.D., £10. F.D., 2 per cent.

Seymour.—Conversion of army hut into two (2) class-rooms and a staff room, H.S. (P.S., Broadford, Kilmore, Seymour.) P.D., £15. F.D., 2 per cent.

South Melbourne.—Supply and installation of heat-storage cooker, Police Depot, St. Kilda-road. P.D., £10. F.D., 2 per cent.

South Melbourne.—Supply and delivery of 2 only about 5-ton trucks, with 8-10 ton payload semi-trailers, about 24 ft. x 7 ft. 6 in., with detachable drop-sides and tail board, and with cabrack, sides in three sections, trailer with vacuum-boosted hydraulic brakes, and quick release turntable, Public Works Department, storeyard.

Strathmore.—Provision of additional class-rooms in brick, S.S. No. 4612. P.D., £25. F.D., 2 per cent.

Tawonga.—Additional class-room, repairs and painting, S.S. No. 2282. (W.O., Wangaratta; P.S., Bright, Yackandandah.) P.D., £15. F.D., 2 per cent.

Sunbury.—Erection of electrical sub-station, Mental Hospital. P.D., £10. F.D., 2 per cent.

Youanmite South.—Internal renovations, S.S. No. 3953. (W.O., Benalla, Wangaratta; S.S., Youanmite South.) Deposit, £4.

West Melbourne.—Erection of new building, Government Cool Stores, Victoria Dock. P.D., £20. F.D., 2 per cent.

Willaura.—Internal and external repairs and painting, P.S. (W.O., Ararat; P.S., Willaura.) Deposit, £4.

Wodonga.—Fencing, repairs, and provision of new blackboard, S.S. No. 37. (W.O., Wangaratta; P.S., Tallangatta, Yackandandah; S.S., Wodonga.) P.D., £4. F.D., 2 per cent.

5th April, 1949.

Ballarat.—Conversion of teacher's room into sick room for girls, H.S. (W.O., Ballarat; H.S., Ballarat.) P.D., £4.

Belgrave.—Additional classrooms and staff accommodation, general repairs, and painting, S.S. No. 3356. (P.S., Ferntree Gully, Lilydale; S.S., Belgrave.) P.D., £20. F.D., 2 per cent.

Belmont.—Underpinning and minor repairs, S.S. No. 26. (W.O., Geelong; S.S. Belmont.) P.D., £4.

Bena.—Repairs and painting, and new bath, residence, S.S. No. 3062 (W.O., Korumburra; P.S., Nyora; S.S., Bena.) Deposit, £3.

Bridge Creek.—Repairs and painting, S.S. No. 3714. (W.O., Korumburra; P.S., Leongatha, Wonthaggi, S.S., Bridge Creek.) P.D., £4.

Bruthen.—Supply and installation of an electric hot-water service, P.S. (W.O., Bairnsdale.) P.D., £2. F.D., 2 per cent.

Cobram.—Additions, repairs, and painting, school and residence, S.S. No. 2381. (W.O., Bendigo, Shepparton; P.S., Echuca, Numurkah, Yarrawonga; S.S., Cobram.) P.D., £5. F.D., 2 per cent.

Cohuna.—Extension to school building, repairs, internal and external painting, Consolidated School. (W.O., Bendigo; P.S., Kerang, Echuca, Elmore.) P.D., £15. F.D., 2 per cent.

Cudgee.—Supply and installation of electric hot-water service, residence, S.S. No. 105. (W.O., Warrnambool.) P.D., £2. F.D., 2 per cent.

Dartmoor.—Repairs, painting and internal renovations, Police Station. (W.O., Hamilton; P.S., Dartmoor, Heywood, Portland.) P.D., £5. F.D., 2 per cent.

Donald.—Mechanical services and equipment, District Hospital. (W.O., Ballarat, Bendigo; P.S., Donald.) P.D., £50. F.D., 2 per cent.

Donald.—Electrical installation, District Hospital. (P.S., Donald, St. Arnaud.) P.D., £15. F.D., 2 per cent.

Horsham.—Supply and installation of a fuel hot-water service, kitchen and laundry, H. S. (W.O., Horsham.) P.D., £2. F.D., 2 per cent.

Kew.—Supply and installation of seven (7) electric refrigerators, Female Division, Mental Hospital. P.D., £10. F.D., 2 per cent.

Melbourne.—Renovations, residence at "C" gate, Botanical Gardens. P.D., £4. F.D., 2 per cent.

Melbourne.—Renovations, residence at "E" gate, Botanical Gardens. P.D., £5. F.D., 2 per cent.

Mildura West.—Repairs and painting, S.S. No. 3983. (W.O., Mildura; P.S., Ouyen, Speed.) P.D., £15. F.D., 2 per cent.

Mont Park.—Provision of stainless-steel sinks and drainers, Mental Hospital. P.D., £10. F.D., 2 per cent.

Pakenham.—Erection of senior wing, Consolidated School. P.D., £50. F.D., 2 per cent.

Robinvale.—Repairs and painting of buildings previously removed from Wemen and Gayfield, S.S. No. 4237. (W.O., Mildura, Swan Hill; P.S., Manangatang, Ouyen; S.S. Robinvale.) P.D., £4. F.D., 2 per cent.

Sagasser's-road.—Repairs and painting, S.S. No. 4511. (W.O., Korumburra; P.S., Moe, Mirboo North; S.S. Sagasser's-road.) Deposit, £4.

Sunbury.—Supply and installation of hot-water storage cylinder and additions to existing hot-water service Mental Hospital. P.D., £2. F.D., 2 per cent.

Underbool.—Supply and installation of a fuel hot-water service, residence, P.S. (W.O., Ballarat, Horsham, Mildura; P.S., Ouyen, St. Arnaud.) Deposit, £2.

Yallourn.—Additional staff-room accommodation, H.S. (W.O., Bairnsdale; P.S., Sale, Warragul; H.S., Yallourn.) P.D., £10. F.D., 2 per cent.

Yarrawonga.—General repairs and new brick drain, S.S. No. 1819. (W.O., Benalla, Wangaratta; S.S., Yarrawonga.) P.D., £4.

12th April, 1949.

Ararat.—External repairs and painting, Mental Hospital. (W.O., Ararat, Ballarat; P.S., Stawell; Mental Hospital, Ararat.) P.D., £25. F.D., 2 per cent.

Arnold West.—Improved natural lighting, internal and external repairs, and painting, S.S. No. 2019. (W.O., Bendigo, Maryborough; P.S., Castlemaine, Inglewood; S.S., Arnold West.) Deposit, £4.

Avalon.—Repairs and painting, school and residence, S.S. No. 3785. (W.O., Geelong; P.S., Werribee; S.S., Avalon.) Deposit, £4.

Ballarat.—Erection of new disinfectant house, Mental Hospital. (W.O., Ballarat; Mental Hospital, Ballarat.) P.D., £5. F.D., 2 per cent.

Brunswick West.—Erection of new building, P.S. P.D., £25. F.D., 2 per cent.

Camperdown.—Painting and minor repairs, S.S. No. 114. (W.O., Warrnambool; P.S., Camperdown, Colac.) P.D., £5. F.D., 2 per cent.

Cheltenham.—Erection of maisonettes for married medical officers, Heatherton Sanatorium. P.D., £25. F.D., 2 per cent.

Coburg.—Erection of two (2) residences, Pentridge. P.D., £25. F.D., 2 per cent.

Eldorado.—Repairs and painting, school and residence, S.S. No. 246. (W.O., Wangaratta; P.S., Beechworth; S.S., Eldorado.) Deposit, £3.

Emerald.—Repairs and painting, school and residence, and two (2) additional classrooms, and corridor, S.S. No. 3381. (S.S., Emerald.) P.D., £20. F.D., 2 per cent.

Fairfield.—Repairs and renovations, "Fairhaven," V.D. Hospital. P.D., £15. F.D., 2 per cent.

Garfield.—Erection of timber residence, office, and woodshed, P.S. (P.S., Dandenong, Drouin, Garfield, Warragul.) P.D., £15. F.D., 2 per cent.

Glen Iris.—Adaptation of hut, S.S. No. 1148. P.D., £15. F.D., 2 per cent.

Greensborough.—Erection and completion of a new timber residence, office, detached laundry, &c., P.S. (P.S., Greensborough.) P.D., £15. F.D., 2 per cent.

Inglewood.—Repairs and painting, P.S. (W.O., Bendigo; P.S., Eaglehawk, Inglewood, Newstead, Wedderburn.) P.D., £5. F.D., 2 per cent.

Kernot.—Repairs and painting, S.S. No. 4024. (W.O., Korumburra; P.S., Loch, Wonthaggi; S.S., Kernot.) Deposit, £3.

Kew.—Additional sanitary facilities, Mental Hospital. P.D., £20. F.D., 2 per cent.

Kew.—Repairs to lavatories, Wards "C" and "C.1," Mental Hospital. Deposit, £4.

Lismore.—Erection of new school building, repairs and painting to residence, S.S. No. 1293. (W.O., Ballarat, Geelong, Warrnambool; P.S., Camperdown; S.S., Lismore.) P.D., £25. F.D., 2 per cent.

Marnoo East.—Repairs, painting, new porch, blackboard and chimney, S.S. No. 2951. (W.O., Ararat, Horsham; P.S., Rupanyup; S.S., Marnoo East.) Deposit, £4.

Melbourne.—Erection of boiler house and chimney, Herbarium, Botanical Gardens. P.D., £10. F.D., 2 per cent.

Mentone.—Repairs and painting, P.S. (P.S., Mentone.) P.D., £10. F.D., 2 per cent.

Minhamite.—Renovations, repairs, and painting, S.S. No. 3999. (W.O., Warrnambool; S.S., Minhamite.) P.D., £2. F.D., 2 per cent.

Mordialloc.—Erection of brick veneer police station and residence, P.S. (P.S., Mordialloc.) P.D., £20. F.D., 2 per cent.

Mornington.—Repairs and renovations, P.S. (P.S., Frankston, Mornington.) P.D., £5. F.D., 2 per cent.

Mudgegonga.—Renovations, S.S. No. 2171. (W.O., Wangaratta; P.S., Myrtleford; S.S., Mudgegonga.) Deposit, £4.

Neerim.—Repairs, painting, minor extensions and new blackboards, S.S. No. 2666. (W.O., Bairnsdale; P.S., Moe, Traralgon, Warragul; S.S., Neerim.) P.D., £10. F.D., 2 per cent.

Newry.—Repairs and painting, residence, S.S. No. 2074. (W.O., Bairnsdale; P.S., Heyfield, Maffra.) P.D., £4. F.D., 2 per cent.

Portland.—New windows, glazed screens and doors, and renovations, S.S. No. 489. (W.O., Hamilton; P.S., Port Fairy, Portland, Heywood.) P.D., £5. F.D., 2 per cent.

Redcliffs.—Repairs, painting, &c., to residence and out-buildings, Lands Department. (W.O., Mildura; P.S., Merbein, Ouyen, Redcliffs.) P.D., £5. F.D., 2 per cent.

Rye.—Supply and installation of an electric hot-water service, residence, S.S. No. 1667. (P.S., Sorrento.) P.D., £2. F.D., 2 per cent.

Tarraville.—Repairs, renovations, and new out-offices, S.S. No. 615. (W.O., Korumburra; P.S., Yarram; S.S., Tarraville.) P.D., £5. F.D., 2 per cent.

Tatura.—Supply and installation of an electric hot-water service, residence, S.S. No. 1441. (W.O., Shepparton.) P.D., £2. F.D., 2 per cent.

Wandocka.—Provision of new skylights and new paling fence, S.S. No. 4168. (W.O., Bairnsdale; P.S., Sale, Traralgon.) Deposit, £4.

Wando Vale.—Repairs, renovations, school and residence, S.S. No. 3997. (W.O., Hamilton; P.S., Branxholme, Casterton; S.S., Wando Vale.) P.D., £10. F.D., 2 per cent.

Weerite.—Removal of State School No. 1803, Barongarook West, and re-erection, repairs and renovations, S.S. No. 3383. (W.O., Warrnambool; P.S., Camperdown, Colac; S.S., Weerite.) P.D., £5. F.D., 2 per cent.

Yarra Glen.—Erection of police station and residence, P.S. (P.S., Healesville, Lilydale, Yarra Glen.) P.D., £15. F.D., 2 per cent.

Tenders to be addressed to the Honorable the Commissioner of Public Works, and envelope containing tender marked "Tender for due"

J. A. KENNEDY,
Commissioner of Public Works.

Melbourne, 22nd March, 1949.

PUBLIC SERVICE NOTICES.

PUBLIC SERVICE OF VICTORIA.—VACANCIES.

APPLICATIONS will be received by the Public Service Board up to Wednesday, the 6th April, 1949, from persons employed in the Public Service of Victoria, who are eligible and qualified, for appointment to the under-mentioned positions:—

ADMINISTRATIVE DIVISION.

Clerk, Class "C," Office of the Public Service Board, Department of Premier.

Yearly Salary.—£449, minimum; £501, maximum.

Duties.—To act as regulations and relieving clerk.

Qualifications.—To have a good knowledge of the Public Service Act, and of the Regulations and procedure thereunder.

PROFESSIONAL DIVISION.

Assistant Engineer, Class "C," Department of Water Supply. (Six vacancies.)

Yearly Salary.—£449, minimum; £501, maximum.

Position No. 1.—Cairan Curran Reservoir.

Duties.—To prepare designs and estimates for hydraulic structures, dams, and channels.

Qualifications.—To possess a University Degree or Technical School Diploma in Civil Engineering, together with experience in the type of work outlined above.

Position No. 2.—Reclamation Division.

Duties.—To assist the District Officer in the construction and maintenance of reclamation and drainage works in the Koo-wee-rup and Cardinia Flood Protection Districts; to prepare plans, compute quantities and cost and chargings in connexion with these works.

Qualifications.—To possess a University Degree or Technical School Diploma in Civil Engineering; to have some practical experience in drainage and structural work, and the ability to satisfactorily carry out the above prescribed duties.

Position No. 3.—Rivers and Streams Branch.

Duties.—Under the direction of the Executive Engineer, Rivers and Streams Branch, to plan in detail and prepare drawings and estimates for, and to supervise river improvement works.

Qualifications.—To possess a University Degree or Technical School Diploma in Civil Engineering, and preferably to possess engineering experience in the field.

Position No. 4.—Investigations and Designs Branch.

Duties.—To prepare designs and estimates for hydraulic structures, dams, and channels.

Qualifications.—To possess a University Degree or Technical School Diploma in Civil Engineering, and to have had experience in the work set out above.

Positions Nos. 5 and 6.—Investigations and Designs Branch.

Duties.—To report on schemes for the development of water resources, and to prepare designs and estimates for hydraulic structures, dams, and channels.

Qualifications.—To possess a University Degree or Technical School Diploma in Civil Engineering, and to have had approved experience in the work set out above.

Mechanical Engineer, Class "C," Rocklands Reservoir, Department of Water Supply.

Yearly Salary.—£449, minimum; £501, maximum.

Duties.—To assist the Mechanical Engineer in charge with the supervision, installation, and maintenance of electrical plant, and to control the operation of the power house and workshops.

Qualifications.—To possess a Degree or Diploma in Mechanical Engineering, or other recognized mechanical engineering qualifications, and training and experience in the installation, operation, and maintenance of electric generating and distributing equipment, including high tension transmission.

Draughtsman, Class "D," Investigations and Designs Branch, Department of Water Supply.

Yearly Salary.—£312, minimum; £436, maximum.

Duties.—To prepare survey plans and designs of civil and hydraulic engineering structures; to take out earthwork quantities, and prepare longitudinal sections of channels and pipe lines for water supply and drainage.

Qualifications.—To have had Technical School training in Engineering or Draughtsmanship, or experience in the class of work outlined above.

TECHNICAL AND GENERAL DIVISION.

Assistant (Male), Grade I. (Erica), Department of State Forests.

Yearly Salary.—£377, minimum; £390, maximum.

Duties.—To prepare wages sheets, district and tramway revenue returns, and State sawmill accounts; to issue timber licences and receipts; to check sawmill and log returns, and to keep employees records.

Qualifications.—To be a competent clerk, and preferably to possess a working knowledge of radio telephony.

Carter, Mental Hygiene Branch, Department of Health.

(One vacancy—Royal Park.)

(One vacancy—Mont Park.)

Yearly Salary.—£286, minimum; £325, maximum.

Duties.—To assist in farm work.

Qualifications.—Ability to carry out all ordinary farm work.

Nurse, Grade I., Mental Hygiene Branch, Department of Health.

(Two vacancies—Kew.)

(Two vacancies—Beechworth.)

Salary.—£310 a year.

Duties.—To take charge or sub-charge of a ward in a Mental Hospital.

Qualifications.—To possess the Mental Hygiene Nursing Certificate, and to have had experience as a Nurse, Grade II., in a Mental Hospital.

NOTE.—In addition to the salary rates quoted, a cost of living adjustment (£90 a year for adult males and £60 a year for adult females), which varies in accordance with the rise or fall in the index number of the cost of living, is payable.

By order,

E. F. FITZGIBBON,
Secretary.

Office of the Public Service Board,
Melbourne, 21st March, 1949.

PUBLIC SERVICE (PUBLIC SERVICE BOARD) REGULATION 36A—RECLASSIFICATIONS.

THE Public Service Board has raised the classification of the under-mentioned offices as shown, and the Permanent Heads of the Departments have recommended the officers named for appointment.

Office and Present Classification.	Revised Classification.	Duties.	Qualifications.	Officer Recommended for Appointment.		
				Name.	Classification.	Date of Classification.

ADMINISTRATIVE DIVISION.

DEPARTMENT OF CHIEF SECRETARY.

Licences Reduction Board.

Clerk, Class "C"	Class "C1"	To act as Clerk of the Licensing Court and to relieve the Registrar as required	To have a thorough knowledge of the Licensing Act and Rules and Regulations thereunder, the Justices Act so far as it relates to proceedings in Licensing Courts, and of the practice and procedure of the Licensing Court and Licences Reduction Board	McAllister, W. E.	Clerk, 3rd Sub-division, Class "C"	1.2.48
------------------	------------	---	---	-------------------	------------------------------------	--------

DEPARTMENT OF TREASURER.

Stamp Duties Office.

Clerk, Class "B1" (Officer in Charge, Betting Tax)	Class "A" (£850)	To assist the Comptroller of Stamps in the administration of the Stamps (Betting Tax) Act; to control and direct the work of the Betting Tax section	To possess a thorough knowledge of the provisions of the Stamps Act and Regulations thereunder so far as they relate to betting tax, and experience in the licensing of bookmakers and the investigation of betting transactions	Tyzack, C. W.	Clerk, 3rd Sub-division, Class "B1"	27.8.48
Clerk, Class "C2"	Class "B"	To be Senior Assessor in the Legal Section; to act as Deputy Comptroller of Stamps when required, and to assess stamp duty on all classes of instruments chargeable therewith, and to interview solicitors or their representatives in regard to assessments and requisitions made in respect of such assessments	To have a thorough knowledge of the Law of Stamp Duties and of the various legal decisions relating thereto and practical experience in their application	Walker, W. A.	Clerk, 3rd Sub-division, Class "C2"	5.10.47
Clerk, Class "C" (three positions)	Class "C1" (three positions)	To have control of the counter in the Betting Tax Section and dealings with all applications for betting tickets and betting licences To examine and check insurance companies' books in respect to the accuracy of the statement of business lodged with the application for annual licences, and to relieve senior officers whilst on leave To assess stamp duty on all classes of instruments lodged for the opinion of the Comptroller of Stamps, and to interview solicitors or their representatives in regard to assessments and requisitions made in respect of same	To have a thorough knowledge of the provisions of the Stamps Acts relating to betting tax, and experience in their application	Cotter, G. . .	Clerk, 3rd Sub-division, Class "C"	1.2.48
			To have a thorough knowledge of insurance practice and of the Stamps Act and Regulations in their application to the issue of insurance companies' annual licences	Grist, V. F. . .	Clerk, 3rd Sub-division, Class "C"	1.2.48
Clerk, Class "D"	Class "C"	To collect and account for fees on instruments lodged in the Office of Titles and the Registrar-General's Office	To have a thorough knowledge of the Law of Stamp Duties and the various legal decisions relating thereto, and practical experience in their application	Fitzgerald, J. - R.	Clerk, 3rd Sub-division, Class "C"	28.4.48
			A sound knowledge of the Stamps Acts and Regulations thereunder, of the instruments chargeable with fees, and the schedule of charges in respect thereof	Caldwell, J. L.	Clerk, 6th Sub-division, Class "D"	5.10.48

Government Printing Office.

Clerk, Class "C"	Class "C1"	To act as Officer in Charge of Stores Branch; to be responsible for the purchase of stores and material, supervision of transport, preparation of estimates for annual requirements of paper and material, and all records of plant and equipment	To have a thorough knowledge of Commonwealth and State Stores and Transport Regulations and of qualities of paper, stationery, and other material used in Government Printing Office. Ability to control staff	Lyttle, A. J.	Clerk, 3rd Sub-division, Class "C"	1.2.48
------------------	------------	---	--	---------------	------------------------------------	--------

PUBLIC SERVICE (PUBLIC SERVICE BOARD) REGULATION 36A—RECLASSIFICATIONS—*continued.*

Officer and Present Classification.	Revised Classification.	Duties.	Qualifications.	Officer Recommended for Appointment.		
				Name.	Classification.	Date of Classification.
DEPARTMENT OF LAW.						
<i>Office of the Public Trustee.</i>						
Clerk, Class "C"	Class "C1"	To act as Cashier and Securities Officer; to receive and account for all moneys paid to the Public Trustee, to supervise and record the collection of all bonds, debentures and negotiable securities, to redeem War Savings Certificates, to reconcile the office bank accounts, and to direct the apportionment of counter collections	To have had general experience as a cashier, in the control, collection and negotiation of all types of negotiable instruments and securities, to have a sound knowledge of banking procedure, a general knowledge of the Public Trustee Acts, and, in particular, the Regulations governing the office fees and charges	Alexanderson, H. N.	Clerk, 3rd Sub - division, Class "C"	5.10.48
DEPARTMENT OF MINES.						
Clerk, Class "C" (two positions)	Class "C1" (two positions)	To act as Secretary of the Sludge Abatement Board and of Boards of Examiners under the Mines and other Acts; under the Secretary to administer the Gold Buyers Act Under direction of the Accountant, to deal with matters appertaining to the Mines Accounts Section; to control the Mines Suspense Account and cash securities and guarantee deposits; to keep the Public Works and Mines Collections Accounts; to cost boring operations; to prepare estimates and statements as required and deal with travelling expenses of the Mines and Public Works Departments	To have a good knowledge of the Gold Buyers Act and of the legislation governing the examination of candidates for certificates of competency under the Mines and other Acts To have a sound knowledge of the Mines Act and Regulations, the Gold Buyers Act, the Boilers Inspection Act, the Audit Act, the Regulations under the Public Service Act, and the Regulations respecting Public Accounts and Stores and Transport; to be familiar with machine accounting and departmental practice and procedure	Gilbert, R. ..	Clerk, 3rd Sub - division, Clerk "C"	1.2.48
				Crowe, J. P. ..	Clerk, 1st Sub - division, Class "C"	5.10.48
DEPARTMENT OF LABOUR.						
Clerk, Class "C" (two positions)	Class "C1" (two positions)	To carry out research work and to prepare submissions and reports as directed To assist the Industrial Inquiry Officer in replying to inquiries by the public regarding wages, and to give advice concerning the application of State Wages Board Determinations and other industrial laws	To possess an intimate knowledge of the history and functions of Victorian Labour legislation and particularly of Departmental procedure and decisions over past years; ability to present reports with thoroughness and clarity, and experience in editorial work To possess a thorough knowledge of the Factories and Shops Acts and other Acts administered by the Department, the Regulations thereunder, Determinations of Wages Board, and the procedure of the Department	Littlejohns, R. T.	Clerk, 3rd Sub - division, Class "C"	1.2.48
				McIndoe, J. B.	Clerk, 3rd Sub - division, Class "C"	1.2.48

Appeals against such recommendations should be lodged with the Secretary to the Public Service Board not later than Saturday, the 2nd April, 1949.

By order,

E. F. FITZGIBBON,

Secretary.

Office of the Public Service Board,
Melbourne, 22nd March, 1949.

PUBLIC SERVICE (PUBLIC SERVICE BOARD) REGULATION 36A—VACANCIES.

THE Permanent Heads of the Departments shown have recommended the officers named hereunder for appointment to the under-mentioned vacancies.

Office and Classification.	Duties.	Qualifications.	Officer Recommended for Appointment.		
			Name.	Classification.	Date of Classification.
ADMINISTRATIVE DIVISION.					
DEPARTMENT OF WATER SUPPLY.					
Clerk, Class "D" (Werrimul)		A knowledge of the incidence of rating and experience in rate collecting; to possess an intimate knowledge of the Water Acts. A working knowledge of the Lands Acts and Local Government Acts, and municipal clerkship or accountancy qualifications are desirable	Helman, I. H. J.	Clerk, 2nd Sub-division, Class "E"	18.11.48
PROFESSIONAL DIVISION.					
DEPARTMENT OF WATER SUPPLY.					
Executive Engineer, Grade I, Class "A" (£900-£1,000)	To be Resident Engineer in charge of the construction of the Rocklands Reservoir and Outlet Works, and to control, under direction of Head Office, all staff and operations on the works; to organize and direct the work of all engineers, surveyors, draughtsmen, and other officers and workmen required for the construction of these works	To have a University Degree or Technical School Diploma in Civil Engineering or other recognized engineering qualification, and qualification as an Engineer of Water Supply under the Water Acts; to have had extensive experience in the design of works and in the organization and control of the work of large numbers of professional, clerical, and technical officers, and of workmen engaged upon large scale civil engineering construction operations	Worner, N. M.	Executive Engineer, Grade II, Class "A" (£850-£950)	13.12.48

Appeals against such recommendations should be lodged with the Secretary to the Public Service Board not later than Saturday, the 2nd April, 1949.

Office of the Public Service Board,
Melbourne, 22nd March, 1949.

By order,
E. F. FITZGIBBON,
Secretary.

PUBLIC SERVICE (PUBLIC SERVICE BOARD) REGULATION 36A—VACANCIES.

THE Permanent Head of the Department of Health has recommended the Nurses named hereunder for appointment to vacancies for Nurses, Grade III., Technical and General Division, Mental Hygiene Branch, in his Department, for which the duties and qualifications are as follows:—

Duties:—To assist in a ward in a Mental Institution.

Qualifications:—To be at least 5' 3" in height and of good physical development, between 21 and 41 years of age. (For discharged servicewomen there is no maximum age limit).

Location of Office.	Employee Recommended.	Date of Appointment.
Mental Hospital, Ararat	Westbrook, D.	19.5.48
	Work, M. S. D.	19.9.48
Mental Hospital, Beechworth	Meredith, J.	12.12.48
	Scott, A. G.	12.12.48
Mental Hospital, Sunbury	Mason, J.	8.9.48
Mental Hospital, Royal Park	Conroy, I. A.	4.8.47
	Mullarkey, M. J.	8.10.48
	Williams, G. M.	1.2.49
	Searle, D. E.	3.6.45
	Walsh, C. P.	8.10.48
	McInerney, C. M.	8.12.48
	Clinton, B. D.	31.3.48
	Harris, L. M.	31.3.48
	Carroll, J. G.	23.5.48
	Sanders, M. B.	6.11.48
Mental Hospital, Mont Park	Sanders, P. V.	6.11.48
	Shields, C.	11.1.49
	Dowling, B. M.	11.1.49
	Pickett, H.	11.1.49
	Sawyer, E. R.	11.1.49
	Herrity, R. A.	11.1.49
	Darrigan, E. M.	29.11.44
	Rice, K. F.	19.9.48
	Weir, R. E. H. J.	21.6.48
	Forsyth, M.	23.9.47
Pleasant Creek Special School, Stawell.		

Appeals against such recommendations should be lodged with the Secretary to the Public Service Board not later than Saturday, the 2nd April, 1949.

Office of the Public Service Board,
Melbourne, 22nd March, 1949.

By order,
E. F. FITZGIBBON,
Secretary.

N.o 478.

Public Service Act 1946, Section 50.

REGULATIONS—PART III.—SALARIES, INCREMENTS,
AND ALLOWANCES.

THE Public Service Board, in pursuance of the powers conferred by the *Public Service Act 1946*, hereby amends its Regulations as shown below :—

SIXTH SCHEDULE.

TEMPORARY EMPLOYEES.

Designations of Positions and Rates of Salaries.

Department and Designation of Position.	Yearly Rate of Salary.		Increments (Annual).
	Minimum.	Maximum.	
	£	£	
DEPARTMENT OF HEALTH.			
GENERAL HEALTH.			
<i>Delete—</i> Darkroom Attendant	312	351	..
<i>Add—</i> Darkroom Attendant— Junior	*	..
Adult (Male)	304	356	..
Adult (Female)	247	286	..
DEPARTMENT OF WATER SUPPLY.			
<i>Add—</i> Water Bailiff (Relieving) ..	279	292	..

* Rates in accordance with the determination of the Photographers' Board.

D. D. PAINE, Chairman.

E. F. FITZGIBBON, Secretary.

Office of the Public Service Board,
Melbourne, 28th February, 1949.

No. 480.

Public Service Act 1946, Section 50.

REGULATIONS—PART III.—SALARIES, INCREMENTS,
AND ALLOWANCES.

THE Public Service Board, in pursuance of the powers conferred by the *Public Service Act 1946*, hereby amends its Regulations as shown below :—

SIXTH SCHEDULE.

TEMPORARY EMPLOYEES.

Designations of Positions and Rates of Salaries.

Department and Designation of Position.	Yearly Rate of Salary.		Increments (Annual).
	Minimum.	Maximum.	
	£	£	
DEPARTMENT OF HEALTH.			
GENERAL HEALTH.			
<i>Delete—</i> Health Officer	748	850	2 of £26 and 1 of £50
<i>Add—</i> Health Officer (Male)	748	850	2 of £26 and 1 of £50
Health Officer (Female)	670	722	2 of £26

D. D. PAINE, Chairman.

E. F. FITZGIBBON, Secretary.

Office of the Public Service Board,
Melbourne, 28th February, 1949.

No. 481.

Public Service Act 1946, Section 39.

REGULATIONS—PART III.—SALARIES, INCREMENTS,
AND ALLOWANCES.

THE Public Service Board, in pursuance of the powers conferred by the *Public Service Act 1946*, hereby amends its Regulations as shown below :—

FIRST SCHEDULE.

PROFESSIONAL DIVISION.

Offices and Rates of Salaries.

Office.	Yearly Rate of Salary.	
	Minimum.	Maximum.
	£	£
DEPARTMENT OF LAW.		
<i>Add—</i> CLASS "B1."		
Clerk of Courts, Grade I.	748	800
Officer in Charge, Common Law, Crown Solicitor's Office	748	800
Prosecuting Officer in Petty Sessions, Crown Solicitor's Office	748	800
CLASS "B."		
<i>Delete—</i> Officer in Charge, Common Law, Crown Solicitor's Office	670	722
Officer in Charge, Prosecution Branch, Crown Solicitor's Office	670	722
<i>Add—</i> Legal Assistant (Labour), Crown Solicitor's Office	670	722
CLASS "C2."		
<i>Delete—</i> Legal Assistant (Labour), Crown Solicitor's Office	592	644
<i>Add—</i> Legal Officer, Common Law, Crown Solicitor's Office	592	644
Officer in Charge, Criminal Business, Melbourne Court of General Sessions, Crown Solicitor's Office	592	644
CLASS "C1."		
<i>Add—</i> Officer in Charge, Criminal Business, Supreme Court and Courts of General Sessions other than Melbourne, Crown Solicitor's Office	527	579
Officer in Charge, Criminal Appeals, Melbourne Court of General Sessions, Crown Solicitor's Office	527	579

This Regulation shall have effect as on and from the 1st February, 1949.

D. D. PAINE, Chairman.

E. F. FITZGIBBON, Secretary.

Office of the Public Service Board,
Melbourne, 28th February, 1949.

No. 482.

Public Service Act 1946, Section 50.

REGULATIONS—PART III.—SALARIES, INCREMENTS, AND ALLOWANCES.

THE Public Service Board, in pursuance of the powers conferred by the *Public Service Act 1946*, hereby amends its Regulations as shown below :—

SIXTH SCHEDULE.

TEMPORARY EMPLOYEES.

Designations of Positions and Rates of Salaries.

Department and Designation of Position.	Yearly Rate of Salary.		Increments (Annual).
	Minimum.	Maximum.	
DEPARTMENT OF AGRICULTURE.	£	£	
<i>Delete—</i> Technical Librarian (Female)	286	338	..
DEPARTMENT OF STATE FORESTS.			
<i>Delete—</i> Technical Librarian (Female)	286	338	..
DEPARTMENT OF WATER SUPPLY.			
<i>Delete—</i> Technical Librarian (Female)	286	338	..
GENERAL.			
<i>Add—</i> Technical Librarian (Female)	325	351	1 of £26

This Regulation shall have effect as on and from the 6th March, 1949.

D. D. PAINE, Chairman.
E. F. FITZGIBBON, Secretary.

Office of the Public Service Board,
Melbourne, 2nd March, 1949.

No. 483.

Public Service Act 1946.

REGULATIONS—PART III.—SALARIES, INCREMENTS, AND ALLOWANCES.

THE Public Service Board, in pursuance of the powers conferred by the *Public Service Act 1946*, hereby amends the Public Service (Public Service Board) Regulations as follows :—

FOURTH SCHEDULE.

ADMINISTRATIVE DIVISION.

Amount or Range of Salary Assigned to Offices in Class "A1," Classes "A" and "A1," Class "A," and Classes "B1" and "A."

Office.	Yearly Rate of Salary.		Salary Payable to the Occupant of Each Office on 31st October, 1948.
	Minimum.	Maximum.	
DEPARTMENT OF PREMIER. CLASS "A."	£	£	£
<i>Add—</i> Senior Auditor	850	900	..

D. D. PAINE, Chairman.

E. F. FITZGIBBON, Secretary.

Office of the Public Service Board,
Melbourne, 7th March, 1949.

No. 479.

Public Service Act 1946, Section 50.

REGULATIONS—PART III.—SALARIES, INCREMENTS, AND ALLOWANCES.

THE Public Service Board, in pursuance of the powers conferred by the *Public Service Act 1946*, hereby amends its Regulations as shown below :—

SIXTH SCHEDULE.

TEMPORARY EMPLOYEES.

Designations of Positions and Rates of Salaries.

Department and Designation of Position.	Yearly Rate of Salary.		Increments (Annual).
	Minimum.	Maximum.	
DEPARTMENT OF TREASURER. GOVERNMENT PRINTING OFFICE.	£	£	
<i>Delete—</i> Process Engraver	366	..
<i>Add—</i> Process Engraver	397	..

This Regulation shall have effect as on and from the 8th December, 1948.

D. D. PAINE, Chairman.
E. F. FITZGIBBON, Secretary.

Office of the Public Service Board,
Melbourne, 28th February, 1949.

No. 486.

Public Service Act 1946.

REGULATIONS—PART III.—SALARIES, INCREMENTS, AND ALLOWANCES.

THE Public Service Board, in pursuance of the powers conferred by the *Public Service Act 1946*, hereby amends the Public Service (Public Service Board) Regulations as follows :—

FOURTH SCHEDULE.

ADMINISTRATIVE DIVISION.

Amount or Range of Salary Assigned to Offices in Class "A1," Classes "A" and "A1," Class "A," and Classes "B1" and "A."

Office.	Yearly Rate of Salary.		Salary Payable to the Occupant of each Office on 31st October, 1948.
	Minimum.	Maximum.	
DEPARTMENT OF LAW. CLASS "A."	£	£	
<i>Add—</i> Chief Clerk	850	1,000	
<i>Delete—</i> CLASSES "A" AND "A1." Chief Clerk	1,000	1,100	

D. D. PAINE, Chairman.

E. F. FITZGIBBON, Secretary.

Office of the Public Service Board,
Melbourne, 16th March, 1949.

No. 485.

Public Service Act 1946, Section 50.

REGULATIONS—PART III.—SALARIES, INCREMENTS, AND ALLOWANCES.

THE Public Service Board, in pursuance of the powers conferred by the *Public Service Act 1946*, hereby amends its Regulations as shown below :—

SIXTH SCHEDULE.

TEMPORARY EMPLOYEES.

Designations of Positions and Rates of Salaries.

Department and Designation of Position.	Yearly Rate of Salary.		Increments (Annual).
	Minimum.	Maximum.	
DEPARTMENT OF AGRICULTURE.	£	£	
Delete— Entomologist, Assistant	449	553	4 of £26
Add— Entomologist, Assistant	403	449	1 of £20 and 1 of £26

D. D. PAINE, Chairman.
E. F. FITZGIBBON, Secretary.

Office of the Public Service Board,
Melbourne, 9th March, 1949.

No. 484.

Public Service Act 1946, Section 50.

REGULATIONS—PART III.—SALARIES, INCREMENTS, AND ALLOWANCES.

THE Public Service Board, in pursuance of the powers conferred by the *Public Service Act 1946*, hereby amends its Regulations as shown below :—

SECOND SCHEDULE.

TECHNICAL AND GENERAL DIVISION.

Offices and Rates of Salaries.

Department and Office.	Yearly Rate of Salary.	
	Minimum.	Maximum.
DEPARTMENT OF WATER SUPPLY.	£	£
Add— Inquiry Officer	312	338

D. D. PAINE, Chairman.
E. F. FITZGIBBON, Secretary

Office of the Public Service Board,
Melbourne, 8th March, 1949.

No. 487.

Public Service Act 1946, Section 39.

REGULATIONS—PART III.—SALARIES, INCREMENTS, AND ALLOWANCES.

THE Public Service Board, in pursuance of the powers conferred by the *Public Service Act 1946*, hereby amends its Regulations as shown below :—

FIRST SCHEDULE.

PROFESSIONAL DIVISION.

Offices and Rates of Salaries.

Office.	Yearly Rate of Salary.	
	Minimum.	Maximum.
DEPARTMENT OF HEALTH. GENERAL HEALTH BRANCH. CLASS "C."	£	£
Add— Analyst, Grade I.	449	501

This Regulation shall have effect as on and from the 4th December, 1948.

D. D. PAINE, Chairman.
E. F. FITZGIBBON, Secretary.

Office of the Public Service Board,
Melbourne, 9th March, 1949.

PRIVATE ADVERTISEMENTS.

CITY OF FOOTSCRAY.

LOAN No. 18.

Notice of Intention to Borrow the sum of Thirty-nine thousand one hundred and twenty pounds (£39,120) for Permanent Works and Undertakings in the City of Footscray.

TAKE notice that the Council of the City of Footscray proposes to borrow, on the credit of the Mayor, Councillors, and Citizens of the City of Footscray, the sum of Thirty-nine thousand one hundred and twenty pounds (£39,120), such sum to be raised by the issue of debentures in accordance with the provisions of the Local Government Acts.

The maximum rate of interest to be paid shall be Three pounds five shillings per centum per annum.

The period of the loan shall be thirty years.

The loan shall be liquidated by 60 half-yearly instalments, which shall cover principal and interest, payable on the 1st day of January and the 1st day of July in each year during the currency of the loan, at the Commonwealth Bank, Melbourne, or the Council's bankers for the time being in Melbourne.

The permanent works and undertakings upon which such loan is to be expended are:—

Reserves and Recreational Grounds.

Henry Turner Memorial Reserve	£4,000	
Mappin Reserve	1,000	
Reserve corner Essex and Market streets	400	
Western Reserve	1,000	
Johnson Reserve	580	
Reserve in Francis-street (Pavilion)	1,780	
Hanmer Reserve (Tennis Courts)	475	
Bailey Reserve (Bowling Green)	2,990	
		£12,225

Purchase of Lands, &c.

Blackwood-street (including dwelling)	£2,185	
Bailey Reserve extension in Smith-crescent	600	
Reserve in Francis-street (balance)	2,100	
William Anderson Reserve (extension)	750	
		5,635

Road Construction and Drainage.

Devonshire, Napoleon, and Suffolk streets	£7,110	
Cowper-street	2,700	
South Kingsville Group	10,000	
Paramount-street Drain (completion)	1,450	
		21,260
		£39,120

The plans, specifications, and estimate of the cost of such works and undertakings, and a statement showing the intended expenditure of money to be borrowed, are open for inspection at the Municipal Offices, Napier-street, Footscray.

By order,

E. J. SMITH, Town Clerk.

Municipal Offices, Footscray, 16th March, 1949. 7993

CITY OF MELBOURNE.

AMENDED RULES AS TO THE TOLLS AND DUES FOR THE SALE AND OF CHARGES FOR THE YARDAGE OF STOCK AT THE CATTLE MARKETS OF THE CITY OF MELBOURNE.

1. These rules shall be read and construed as one with amended rules made and passed by the Council of the City of Melbourne on the 5th day of May, 1919, intituled "Amended Rules as to the Tolls and Dues for the Sale and of Charges for the Yardage of Stock at the Cattle Markets of the City of Melbourne," and any rules amending the same.

2. The said amended rules made and passed by the Council of the City of Melbourne on the 5th day of May, 1919, as so amended, shall be further amended as follows:—

- (a) In clause 1 thereof, for the figures "0-3," there shall be substituted the figures "0-6."
- (b) In clause 2, for the words and figures "(including bulls) 0-3," there shall be inserted the figures "0-6."
- (c) In clause 2, before the words "for every sheep, lamb or goat," there shall be inserted the words and figures "for every bull, 1.0."
- (d) In clause 3, for the words and figures "(including bulls) 0-3," there shall be inserted the figures "0-6."
- (e) In clause 3, before the words "for every sheep, lamb or goat," there shall be inserted the words and figures "for every bull, 1-0."

3. These rules shall come into force on and after the 1st day of April, 1949.

Resolution for passing these rules agreed to by the Council of the City of Melbourne, the 14th day of February, 1949, and confirmed the 16th day of March, 1949.

- (L.S.)
- JAMES S. DISNEY, Lord Mayor.
 - F. R. CONNELLY, Councillor.
 - H. TATNALL, Councillor.
 - GEO. R. BOULTON, Councillor.
 - W. R. CRICHTON, Councillor.
 - HARRY L. LYALL, Councillor.
 - W. J. BRENS, Councillor.
 - E. L. MORTON, Councillor.
 - A. E. CARLYLE, Councillor.
 - C. T. SMITH, Councillor.
 - WM. BARRY, Councillor.
 - T. HAYES, Councillor.
 - F. G. J. HARDY, Councillor.
 - T. KERR, Councillor.
 - R. B. CAMPBELL, Councillor.
 - H. GENGOUT SMITH, Councillor.
 - H. E. MORTON, Councillor.
 - F. P. WILLIAMS, Councillor.
 - H. S. WOOTTON, Town Clerk.

8001

CITY OF SANDRINGHAM.

LOAN No. 37.

Notice of Intention to Borrow the Sum of Twenty thousand Pounds (£20,000) for Permanent Works and Undertakings in the City of Sandringham.

NOTICE is hereby given that the Council of the City of Sandringham proposes to borrow, on the credit of the Mayor, Councillors, and Citizens of the City of Sandringham, the sum of Twenty thousand pounds (£20,000), such sum to be raised by the issue of debentures in accordance with the provisions of the Local Government Act.

The maximum rate of interest that may be paid is £3 5s. per centum per annum.

The money borrowed shall be repayable, together with interest, at the National Bank of Australasia Limited, Melbourne, or the Council's bankers for the time being, by half-yearly instalments, on the 1st January and 1st July in each year, the loan to have a currency of twenty (20) years, the first payment to be made on the 1st January, 1950, and the final payment on the 1st July, 1969.

The purposes for which the loan is to be applied shall be—

	£
1. Drainage, Gladstone-street area	2,000
2. Drainage, Reno-road and Holloway-road (further provision)	1,500
3. Provision of place of public resort and recreation, Gold Links Reserve extension	7,500
4. Eliza-street reconstruction	3,250
5. Hampton-street reconstruction, section 3 (further provision)	1,000
6. Reconstruction of asphalt footpaths—	
North Ward	£1,500
Central Ward	1,750
South Ward	1,500
	4,750
Total	20,000

The loan is to be liquidated by appropriating out of the Municipal Fund forty (40) equal half-yearly payments, covering principal and interest, during the term of the loan.

The plans, specifications, and estimate of cost of the works referred to above, and statement showing the proposed expenditure of the money to be borrowed, are open for inspection during office hours of the Council, Town Hall, Sandringham.

Dated this 17th day of March, 1949.

7999

F. G. TRICKS, Town Clerk.

SHIRE OF AVON.

POUNDKEEPER—STRATFORD POUND.

NOTICE is hereby given that James S. Crozier, of Briagolong-road, Stratford, has been appointed Poundkeeper for the Stratford Pound.

7995

E. C. BROCK, Shire Secretary.

SHIRE OF SOUTH BARWON.

BY-LAW No. 35.

A By-law of the Shire of South Barwon, made under Part VII. of the Local Government Acts and Part IV. of the Health Acts, and every other Act or power enabling it in that behalf, and numbered 35, for or with respect to—

- (a) The regulating or prohibiting of the keeping of any place or any animals (including birds), or the storage of any things in the opinion of the Council offensive, injurious to health, or dangerous.
- (b) Fixing the distance from any dwelling within which it shall be unlawful to keep any such place or animal, or to store any such thing.
- (c) Fixing the limits within which it shall be unlawful to keep swine or pig-sties.
- (d) The provision, use, and control of receptacles for the deposit and collection of refuse and rubbish (whether temporary or otherwise), and prescribing the size and shape of and the materials to be used in the construction of such receptacles.
- (e) Regulating or prohibiting the temporary herding of cattle within any area within the municipal district set forth in the By-law, and declared therein to be a populous or residential area.
- (f) Providing for the health of the residents in the municipal district, and against the spreading of contagious or infectious diseases.
- (g) Suppressing nuisances, and for other purposes.

THE President, Councillors, and Ratepayers of the Shire of South Barwon, in pursuance of the powers conferred by the Local Government Acts and the Health Acts, and by every other Act or power in that behalf it enabling, orders as follows:—

1. In this By-law so far as the context will admit—

“Animals” includes cattle and dogs.

“Birds” includes poultry.

“Cattle” has the same meaning as is assigned to it in sub-section (1) of section 3 of the Local Government Acts.

“Horses” includes horses, mares, fillies, foals, geldings, colts, asses and mules.

“Poultry” includes all kinds of fowls, ducks, geese and turkeys.

“Property” means any land or tenement in separate occupation or separately enclosed.

2. No person shall keep or cause, permit or suffer to be kept, any animal or bird which is or is kept in such manner as to be offensive, injurious to health, or dangerous.

3. The occupier of any property on or in which any animal or bird is at any time kept or housed shall cause every place on such property where such animal or bird is at any time kept or housed to be at all times effectively and thoroughly repaired, cleansed, and deodorized in such manner as may be necessary to prevent such place being offensive or injurious to health, or a danger to the health of any resident in the said Shire.

4. No person shall keep or cause or permit or suffer to be kept any swine or pig-sty within the areas defined in clause 10 of this By-law.

5. The occupier of any property on which is erected a stable or other building for the keeping or housing of horses shall—

(a) Cause all manure, refuse and rubbish therein to be placed in a properly-constructed receptacle with brickwork walls at least 9 inches in thickness, or concrete walls at least 4 inches in thickness, with brick or concrete floor at least 6 inches in thickness, and lines throughout internally with cement rendering, composed of two and a half parts sand to one part cement.

(b) Maintain such receptacle at all times in such good state of repair as is necessary to prevent any escape or leakage of the contents thereof.

(c) Keep such receptacle wholly covered with an effective cover at all times, except when manure, refuse or rubbish is actually being deposited therein or being taken therefrom.

(d) Effectively deodorize such receptacle and the contents thereof from time to time as may be necessary to prevent its becoming a nuisance, offensive or injurious or dangerous to health.

(e) Cause all the contents of such receptacle to be removed from such property at least once in every week.

- (f) Keep such stable or other building at all times effectively and thoroughly repaired and cleansed in such a manner as may be necessary to prevent its being offensive or injurious to health, or a danger to the health of any resident in the said Shire.

6. No person shall keep or cause to be kept any cattle or more than 39 poultry on any property within the areas defined in clause 10 of this By-law without the written permission of the Council. Any person desiring to keep any cattle or more than 39 poultry on any property within such area shall deliver to the shire secretary a request, in writing, for the permission of the Council so to do, and every such request shall set out a full and detailed description of the premises whereon it is intended to keep such cattle or poultry, showing the provisions made for drainage and sanitation, and also shall set forth the number and description of cattle or poultry intended to be kept thereon, and such permission shall be given if the Council is satisfied that the cattle or poultry described in the request can be kept on those premises without constituting a nuisance, or being offensive or a danger to the health of any resident in the said Shire.

7. No person shall at any time temporarily herd any cattle anywhere within the areas defined in clause 10 of this By-law, which areas are hereby declared to be residential or populous areas.

8. Any animal or bird which shall contract or develop an infection or contagious disease shall be forthwith destroyed or caused to be destroyed by the person keeping the same.

9. Any person who shall commit any wilful act or default contrary to any provision of this By-law shall be liable on conviction to a penalty of not more than £20 for each offence, and in the case of a continuing offence a further penalty of not more than £5 for each day on which the offence is so continued after a conviction or order by any Court.

10. This By-law shall apply to and have application throughout the areas defined hereunder:—

- (a) *Belmont Area.*—Portions of the Parishes of Barrabool and Corio, County of Grant.—Commencing at the Barwon Bridge on the Princes Highway; thence southerly by that highway to Mt. Colite-road, and by Mt. Colite-road to Bailey-street; thence by Bailey-street to its intersection with Autumn-street, westerly by Autumn-street to Francis-street, north by the western side of Francis-street to the junction of Matilda-street and Francis-street, westerly by the southern boundary of the Mont Bell Estate to Torquay-road, northerly by Torquay-road to its intersection with Settlement-road, west by Settlement-road to its junction with Princes Highway; thence south-westerly by the Princes Highway to its junction with Colac-grove west at the southern point of lot 41 of the Premier Estate; thence northerly by Colac-grove west and a line being the northerly continuation of the western side of Colac-grove west to West-street, and by West-street to its junction with White-street; thence by a line due west to the intersection of such line with Kardinia Creek, and northerly by Kardinia Creek to its intersection with Barrabool-road; thence north-easterly and easterly by the Barrabool-road to the northern corner of Crown allotment 1, section B, Parish of Corio; thence easterly by a line to the point of commencement.
- (b) *Barwon Heads Area.*—Commencing at a point on the Bass Strait Coast line in line with the prolongation of the western side of Golf Links-road; thence north by the said line and Golf Links-road to the Geelong-road; thence easterly by that road to Carr-street; thence northerly by Carr-street to the north-west corner of allotment 33; thence east by the north boundary of the said allotment to a point on the west bank of the Barwon River in line with the prolongation of the aforesaid north boundary of allotment 33; thence southerly and westerly by the west bank of the Barwon River and the Bass Strait Coast Line to the point of commencement.
- (c) *Torquay Area.*—Commencing at the mouth of Spring Creek and following that creek to its intersection with the Torquay-Anglesea-road; thence north-easterly by that road to the Torquay-Geelong-road; thence north by the Torquay-road to Zeally Bay-road; thence east by Zeally Bay-road and a line prolonged from the northern boundary of Zeally Bay-road to the Bass Strait Coast Line; thence southerly by the coast line to point of commencement.

Resolution for passing this By-law was agreed to by the Council of the Shire of South Barwon on the 17th day of August, 1948, and confirmed on the 21st day of September, 1948.

The common seal of the President, Councillors, and Ratepayers of the Shire of South Barwon was affixed hereunto, in the presence of—

(SEAL) J. B. JOHNSON, Councillor.
ROBERT HAGAN, Councillor.
L. T. WOODARD, Councillor.
J. A. MCKAY, Shire Secretary.

Approved by the Governor in Council this 8th day of February, 1949, insofar as such approval is required pursuant to the Local Government Act.—A. MAHLSTEDT, Acting Clerk of the Executive Council. 8000

SHIRE OF FERNTREE GULLY.

BY-LAW No. 67.

A By-law of the Shire of Ferntree Gully, made under the *Local Government Act 1946* and the *Police Offences Act*, and numbered 67, for regulating the conduct of persons using or being upon or in places of public resort or public recreation, for controlling and managing and preserving commons and public reserves, for suppressing nuisances, for altering By-law No. 42 of the said Shire, and for other purposes.

IN pursuance of the powers conferred by the *Local Government Act 1946* and the *Police Offences Act* and of any and every other power it thereunto enabling, the President, Councillors, and Ratepayers of the Shire of Ferntree Gully order as follows:—

1. For clause 6 of the said By-law No. 42 there shall be substituted the following clause, namely:—

“6. No person shall on any Sunday or on Good Friday, Christmas Day, or Anzac Day, in any Reserve, organize, promote, or hold or take part in any football match, or any bicycle, motor cycle, motor car, midget car, horse, or dog race.”

2. No person shall, either by himself or his agent, servant, employee, or otherwise, upon any land or premises, or upon any street or footway, create or cause to be occasioned an amount of noise sufficient to be an annoyance or nuisance to users of any public highway—

(a) by shouting, singing, or haranguing with or through any instrument; or

(b) by operating or controlling any instrument.

3. No person upon any street or footway shall, to the obstruction or annoyance of any other person thereon, or to the obstruction or annoyance of any occupier of any shop, dwelling, or other premises—

(a) make or cause to be made any violent outcry, noise, or sound;

(b) sound or play upon any instrument;

(c) sing or harangue; or

(d) beg or solicit alms verbally or by the use of any written sign, notice, or placard.

4. No person upon any street or footway shall, after being required to desist from so doing by any member of the Police Force or by any officer of the Council or by the occupier of any premises which are within 50 yards of such person—

(a) sound or play upon any instrument; or

(b) sing or harangue.

5. In this By-law the word “instrument” shall mean and include any instrument, device, or thing whatsoever capable of making or being used for making sound or noise, and without affecting the generality of the foregoing includes any loud speaker, amplifier, broadcasting set, wireless receiving set, gramophone, or other instrument or device of the like kind.

6. This By-law shall apply to and have operation throughout the whole of this municipal district.

Resolution adopting this Regulation agreed to by the Council on the 11th day of October, 1948, and confirmed on the 8th day of November, 1948.

The corporate seal of the President, Councillors, and Ratepayers of the Shire of Ferntree Gully was hereunto affixed, in the presence of—

(SEAL) T. MERRETT, President.
ARTHUR F. PICKETT, Councillor.
CHAS. C. DANCE, Shire Secretary.

Approved by the Governor in Council, 8th March, 1949.—A. MAHLSTEDT, Clerk of the Executive Council. 8018

SHIRE OF KORUMBURRA.

NOTICE OF INTENTION TO BORROW THE SUM OF FIVE THOUSAND SEVEN HUNDRED POUNDS (£5,700) FOR PERMANENT WORKS AND UNDERTAKINGS IN THE SHIRE OF KORUMBURRA.

TAKE notice that the Council of the Shire of Korumburra proposes to borrow, on the credit of the President, Councillors, and Ratepayers of the said shire, the sum of Five thousand seven hundred pounds (£5,700), such sum to be raised by the issue of debentures, in accordance with the provisions of the *Local Government Act 1946*.

The maximum rate of interest that may be paid is 4s. 6d. per centum per annum.

Such moneys shall be repayable by not more than twenty equal half-yearly instalments, each including principal and interest, by providing out of the municipal fund such amounts on the 1st day of October and the 1st day of April in each respective year during the currency of the loan.

Such moneys shall be repayable, at Melbourne, at the Bank of Australasia or at the Council's bankers for the time being in Melbourne.

The purpose for which the loan is to be applied is:—

“For the purchase of a caterpillar 12 power grader.”

The plans, specifications, and estimate of the cost of the works referred to above, and a statement showing the proposed expenditure of money to be borrowed, are open for inspection at the shire office, Korumburra.

Dated this 18th day of March, 1949.

8058

N. M. SIMMONS, Shire Secretary.

SHIRE OF YEA.

BY-LAW No. 15.

Building Regulations.

A By-law of the Shire of Yea, made under the Local Government Acts and the Uniform Building Regulations of Victoria, numbered No. 15, for determining, applying, dispensing with or regulating such matters or things as are left to be determined, applied, dispensed with, or regulated by the Council of the said Shire of Yea, under the Uniform Building Regulations of Victoria.

IN pursuance of the powers conferred by the Local Government Acts and the Uniform Building Regulations of Victoria, and of any and every other power it thereunto enabling, the President, Councillors, and Ratepayers of the Shire of Yea order as follows:—

1. The minimum area, depth and width of frontage specified in column three of Table 803 of the Uniform Building Regulations of Victoria (hereinafter called the Regulations), are hereby adopted as the minimum area, depth and width of frontage of land on which a building shall be constructed throughout that portion of the municipal district set out and described in the first Schedule hereto.

2. Notwithstanding anything contained in the Regulations any person may—

(a) Construct a building of Class I. occupancy on land having a lesser area depth or width of frontage or at a lesser distance from boundaries than those specified in column three of Table 803 of the Regulations, or

(b) construct a building of Class III., V., VII. or VIII. occupancy or a building to which a building of Class IV. occupancy is attached on land having an area, depth or width of frontage less than that prescribed in clause 809 of the Regulations, in any case where on the date of commencement of the Regulations such land existed as a separate allotment and has not since been reduced in area or is shown on any plan of subdivision approved by the Council and lodged in the Office of Titles.

3. In that portion of the municipal district set out and described in the Second Schedule hereto, no person shall construct or cause to be constructed any building, the external walls of which are of material other than brick, stone, or concrete.

FIRST SCHEDULE.

The whole of the Township of Yea.

SECOND SCHEDULE.

The whole of the area, being part of the Township of Yea, comprising those parts of sections 5 and 8 bounded on the west by Gifford-street, on the east by Hood-street, on the south side by High-street, and on the north side by a line parallel with High-street and distant therefrom 165 feet.

No. 285.—2601/49.—3

Passed by the Council of the Shire of Yea on the 1st day of April, 1948, and confirmed on the 6th day of May, 1948.

The common seal of the President, Councillors, and Ratepayers of the Shire of Yea was hereto affixed, in pursuance of a Resolution of the Council of the Shire of Yea, on the 6th day of May, 1948, in the presence of—

(SEAL) J. W. ROBINSON, Councillor.
W. G. MULLER, Councillor.
H. R. BELL, Secretary.

Approved by the Governor in Council, 30th November, 1948.—J. C. MACGIBBON, Acting Clerk of the Executive Council. 7997

SHIRE OF YEA.

BY-LAW No. 18.

Cattle in High-Street.

NOTICE is hereby given that the Council of the Shire of Yea passed a Special Resolution on the 9th day of December, 1948, and confirmed same on the 19th day of January, 1949, to make a By-law No. 18, regulating the travelling of stock other than when ridden, in harness, or on a rope or halter in that portion of High-street between Gifford and Hood-streets, Yea.

By-law No. 16 is hereby repealed by this Order.

A full copy of the By-law may be seen at the office of the Council, Shire Hall, Yea.

7998

E. H. A. VARLEY, Shire Secretary.

WANGARATTA SEWERAGE AUTHORITY.

ACQUISITION OF LAND.

UNDER the powers conferred by the Sewerage Districts Acts and all other powers enabling it in that behalf, the Wangaratta Sewerage Authority, with the consent of the Governor in Council, doth hereby give notice that it proposes to compulsorily acquire the lands set out in Schedule 1 for the purposes of constructing a rising main on the lands described in Schedule 2, and to the establishment of a trade waste disposal area on the lands described in Schedule 1.

All the said lands are shown on a plan approved by the Governor in Council and deposited in the office of the State Rivers and Water Supply Commission, Melbourne (see Corres. 48/29356).

Schedule 1.

Trade Waste Disposal Area, being Land to be Compulsorily Purchased.

Commencing at the north-eastern angle of Crown allotment 4, section XXXI., Parish of Wangaratta South, County of Moira; thence southerly along the eastern boundaries of the said Crown allotment 4 and of Crown allotment 5 to the south-eastern angle of the said Crown allotment 5; thence westerly along the southern boundary of the said Crown allotment 5 a distance of 1,030 feet; thence by a line bearing due south across Crown allotment 6 to a point on the southern boundary of the said Crown allotment 6; thence easterly along the said southern boundary of Crown allotment 6 to a point on the north-western boundary of the north-eastern railway reserve; thence south-westerly along the said north-western boundary of the north-eastern railway reserve to a point on the southern boundary of Crown allotment 7, section XXXI.; thence westerly along the said southern boundary to a point on the right bank of Three Mile Creek; thence generally northerly along the said right bank of Three Mile Creek to its intersection with the northern boundary of the aforesaid Crown allotment 4; thence easterly along the northern boundary of the said Crown allotment 4 to the point of commencement.

Schedule 2.

Rising Main.

Commencing at a point on the southern boundary of Crown allotment 1, section V., Parish of Wangaratta South, County of Moira, such point being near the south-western angle of the said Crown allotment 1; thence southerly by a strip of land 50 links in width, being 25 links on either side of the centre line of the pipe line across a road and through Crown allotment 2, section XXXI., to a point distant about 400 links from the centre line of the north-eastern railway; thence south-westerly by a line, being approximately parallel to the centre line of the said north-eastern railway, through Crown allotment 2, across a road, and through Crown allotment 3, section XXXI., to a point on the western boundary of the said Crown allotment 3; thence generally northerly along a road to a point on the eastern boundary of Crown allotment 5, section XXXI., being a point on the eastern boundary of the Trade Waste Disposal Area.

J. McDONNELL, Secretary, Wangaratta Sewerage Authority. 7942

KNOW all men by these presents (which are intended to be registered in the office of the Registrar-General of the State of Victoria) that I, the undersigned, Jack Emanuel, of 8 York-road, Glen Iris, in the State of Victoria, tailor, and formerly called Evangelos Emanuel and Vangel Emanuel, do hereby, on behalf of myself, my heirs, and issue lawfully begotten declare that I have absolutely renounced and abandoned the use of my said christian names of Evangelos and Vangel, and in lieu thereof have assumed and adopted the christian name of Jack, and for the purpose of evidencing such change of name, I hereby declare that I shall at all times hereafter in all records, deeds, documents, and other writings, and in all actions, suits, and proceedings, as well as in all dealings and transactions, matters, and things whatsoever, and upon all occasions use and subscribe the said name of Jack Emanuel as my name in lieu of the said names of Evangelos Emanuel and Vangel Emanuel, so abandoned as aforesaid. And I therefore hereby expressly authorize and require all persons whomsoever at all times to designate and describe and address me by such adopted name of Jack Emanuel only.

In witness whereof, I have hereunto subscribed my adopted and substituted name of Jack Emanuel this 18th day of March, 1949.

Signed, sealed, and delivered by the above-named Jack Emanuel, in the presence of—ARTHUR J. DOWNING, solicitor, Melbourne.

(L.S.) J. EMANUEL.

F. J. Orames and Downing, solicitors, 84 William-street, Melbourne. 8060

NOTICE is hereby given that the partnership heretofore subsisting between the undersigned Henry Midos Wright and Alice de Salis, carrying on business as general engineers at 5 Bray-street, South Yarra, under the style or firm of "Bronzcrafters," was dissolved by mutual consent on the 1st day of March, 1949. The business is being carried on by the said Alice de Salis, solely under the said firm name, who will pay all debts owing by the said firm, and receive any moneys due and payable to the said late partnership.

Dated the 18th day of March, 1949.

HENRY M. WRIGHT.
ALICE DE SALIS.

J. C. Stedman, solicitor, Melbourne. 7989

NOTICE is hereby given that the partnership heretofore subsisting between the undersigned Henry Midos Wright and Tristan Hill, carrying on business as general engineers at 5 Bray-street, South Yarra, under the style or firm of "Wright & Hill Machine Tools," was dissolved by mutual consent on the 11th day of March, 1949. The business is being carried on under the said firm name by the said Tristan Hill solely, who will pay and satisfy all debts owing by the said firm, and receive any moneys due and payable to the said late partnership.

Dated the 18th day of March, 1949.

HENRY M. WRIGHT.
TRISTAN HILL.

7990

NOTICE OF DISSOLUTION OF PARTNERSHIP.

NOTICE is hereby given that the partnership heretofore subsisting between P. Smalley and A. R. Thomson, carrying on business as Smalley & Thomson at 168 Swan-street, Richmond, has been dissolved by mutual consent as from the 11th day of March, 1949.

Dated this 11th day of March, 1949.

P. SMALLEY.
A. R. THOMSON.

Witness—W. H. Goff. 7992

NOTICE is hereby given that the partnership heretofore subsisting between James Taylor Davis, Edward William Davis, and Albert Victor Davis, carrying on business at Nhill as body builders, implement makers, and general mechanics and blacksmiths, under the style or firm of "E. C. Davis and Sons," has been dissolved by reason of the death of the said James Taylor Davis as from the 14th day of February, 1949. All debts due to and owing by the said late firm will be received and paid respectively by the said Edward William Davis, Albert Victor Davis, and Frank Edward Davis, who will continue to carry on the said business in partnership under the same style or firm of "E. C. Davis and Sons."

Dated this 10th day of March, 1949.

E. W. DAVIS.
A. V. DAVIS.
F. E. DAVIS.

8006

NOTICE is hereby given that the partnership heretofore subsisting between the undersigned, Thomas Henry Date and Robert William May, carrying on business as plumbers and ironmongers at Commercial-road, Yarram, under the name of Date and May, has been dissolved by mutual consent as from the 1st day of March, 1949. All debts due to and owing by the said late firm will be received and paid by the said Thomas Henry Date, who will continue to carry on the business at the same place under his own name.

Dated at Yarram the 11th day of March, 1949.

T. H. DATE.
R. W. MAY.

Witness to both signatures—R. WILLIAMS.
Skinner and Hart, solicitors, Yarram. 8031

NOTICE OF DISSOLUTION OF PARTNERSHIP.

NOTICE is hereby given that the partnership heretofore existing between the undersigned Raymond Ernest Tranter and Hubert Allen Tranter, carrying on business as R. E. and H. A. Tranter at 255 Glenferrie-road, Hawthorn, has been dissolved by mutual consent as from the 18th day of March, 1949. All debts due and owing by the firm will be received and paid by Raymond Ernest Tranter, who will continue to carry on business in his own name at the same place.

Dated at Melbourne, this 18th day of March, 1949.

H. TRANTER.

Witness of signature—N. JAMES.

RAYMOND TRANTER.

Witness of signature—N. JAMES. 8002

NOTICE is hereby given that the partnership heretofore existing between Noel Bradshaw, of 37 Darling-street, South Yarra, in the State of Victoria, and William Bennett, of 27 Rockley-road, Toorak, in the said State, carrying on the business of painters, has been dissolved by mutual consent from the 21st day of March, 1949.

Dated the 21st day of March, 1949.

WILLIAM BENNETT.

Witness—R. N. BOUGHTON, solicitor, Melbourne.

N. BRADSHAW.

Witness—R. N. BOUGHTON, solicitor, Melbourne.

Newman, Wingrove, and Boughton, solicitors, 100 Queen-street, Melbourne. 8044

NOTICE is hereby given that the partnership heretofore existing between Percy Halpin, of 15 Bowen-street, Hawthorn, in Victoria, and Muriel Agnes Money, of Baptist College, Errol-street, North Melbourne, in Victoria, carrying on the business of drapers, under the business name of "Harshell," has been dissolved by mutual consent as from the 10th day of March, 1949.

Dated the 10th day of March, 1949.

P. HALPIN.

Witness—R. J. HAMER.

M. MONEY.

Witness—R. J. HAMER.

J. M. Smith and Emmerton, solicitors, 480 Bourke-street, Melbourne. 8039

In the matter of the *Companies Act* 1938, and in the matter of **BOOMERANG ELASTIC COMPANY PROPRIETARY LIMITED.**

AT an Extraordinary General Meeting of Boomerang Elastic Company Proprietary Limited, held at 118 Queen-street, Melbourne, on the 17th day of March, 1949, the following Special Resolution was duly passed:—

"That the company be wound up voluntarily, and that William Aarons, of 74 Mitford-street, Elwood, in the State of Victoria, manufacturer, be appointed liquidator of the company."

I hereby certify that the above is a true copy of the Resolution passed at the aforesaid Extraordinary General Meeting of the company.

Dated at Melbourne, this 18th day of March, 1949.

8016 W. AARONS, Chairman of Meeting.

THE COBURG HEIGHTS PROPRIETARY LIMITED.

AT an Extraordinary General Meeting of the members of the above-named company, duly convened and held at 422 Collins-street, Melbourne, on Monday, the 21st day of March, 1949, the following Special Resolution was duly passed:—

"That the company be wound up voluntarily, and that Robert V. Fenwick, Dip. Com., chartered accountant (Aust.), of 422 Collins-street, Melbourne, be appointed liquidator thereof."

Dated this 23rd day of March, 1949.

8061 ROBT. V. FENWICK, Liquidator.

COPY of Register of Unclaimed Money held by Lincoln Stuart and Company Pty. Ltd. for year ended the 31st December, 1948.

Name of Owner on Books.	Total Amount Due to Owner.		Description of Unclaimed Money.	Date of Last Claim.
	£	s. d.		
Derbin Willder, Collins-street, Melbourne	1	5 0	Dividend declared— 4th March, 1948, on 10 shares—10 0	No claim
William Ievers, junr., Carlton	0	15 0	16th September, 1948, on 10 shares—15 0 4th March, 1948, on 6 shares—6 0	"
Lambton L. Mount, Spotswood	0	15 0	16th September, 1948, on 6 shares—9 0 4th March, 1948, on 6 shares—6 0	"
Harold Sparks, Auctioneer, Melbourne	0	15 0	16th September, 1948, on 6 shares—9 0 4th March, 1948, on 6 shares—6 0	"
Donald Munro, Queen-street, Melbourne	0	12 6	16th September, 1948, on 6 shares—9 0 4th March, 1948, on 5 shares—5 0 16th September, 1948, on 5 shares—7 6	"
	4	2 6		

8033

A. B. MACKAY, Authorized Officer.

MANANGATANG WEIGHBRIDGE CO. PROPRIETARY LIMITED (IN VOLUNTARY LIQUIDATION).

NOTICE is hereby given, in pursuance of section 236 of the Companies Act 1938, that a Final General Meeting of the members of the above-named company will be held at the offices of the undersigned H. R. Blair, at Manangatang, on Saturday, 30th April, 1949, at Eleven a.m., for the purpose of having an account laid before them, showing the manner in which the winding up has been conducted and the property of the company disposed of, and of hearing any explanation that may be given by the liquidators.

Dated this 17th day of March, 1949.

W. H. RICE, Liquidator.

8028

H. R. BLAIR, Liquidator.

Companies Act 1938.

WAR NURSES MEMORIAL CENTRE.

NOTICE OF INTENTION TO APPLY TO ATTORNEY-GENERAL FOR LICENCE, PURSUANT TO SECTION 18 (1).

EDITH HUGHES-JONES, of 646 High-street, Armadale, on behalf of War Nurses Memorial Centre, an association formed for the purposes of recreation and the promotion of science and education, as applied to the nursing profession, hereby give notice of intention to apply to the Attorney-General for a licence directing that the said association be registered as a company with limited liability without the addition of the word "Limited" to its name.

Dated this 16th day of March, 1949.

8056

EDITH HUGHES-JONES, Secretary.

ANNE ANDERSON (also known as Annie Anderson), late of 58 Leura-grove, Hawthorn, widow, DECEASED.

CREDITORS, next of kin, and all other persons having claims against the estate of Anne Anderson (also known as Annie Anderson), of 58 Leura-grove, Hawthorn, in the State of Victoria, widow, deceased (who died on the 15th day of January, 1949) are to send particulars of their claims to National Trustees, Executors, and Agency Company of Australasia Limited, of 95 Queen-street, Melbourne, in the said State, by the 31st day of May, 1949, after which date it will distribute the assets, having regard only to the claims of which it has notice.

O'DONOHUE, GREEN, & LYNCH, solicitors, 109 Swanston-street, Melbourne. 8032

CREDITORS, next of kin, and others having claims in respect of the estate of Hubert Oliver Young, late of "Clutha," 135 Beach-road, Sandringham, in the State of Victoria, property manager (who died on the 16th day of December, 1948), are to send the particulars of their claims to the National Trustees, Executors, and Agency Company of Australasia Limited, whose registered office is situate at 95 Queen-street, Melbourne, in the said State, by the 30th day of May, 1949, after which date it will distribute the assets, having regard only to the claims which it then has notice.

HERBERT & GEER, solicitors, 20 Bank-place, Melbourne. 8015

NOTICE TO CLAIMANTS.—RE ROSE HYNES, DECEASED.

NOTICE is hereby given that creditors, next of kin, and all other persons having claims against the property or estate of Rose Hynes, late of 115 Gheringhap-street, Geelong, in the State of Victoria, spinster, deceased (who died on the 31st day of October, 1948, and probate of whose will was granted to Lucy Gertrude Hynes, spinster, and Catherine O'Connor, widow, both of 115 Gheringhap-street, Geelong aforesaid, and Andrew Ralph Phillips, of Yarra-street, Geelong aforesaid, solicitor), are hereby required to send, in writing, particulars of such claims to the said Lucy Gertrude Hynes, the said Catherine O'Connor, and the said Andrew Ralph Phillips, care of the undersigned solicitor, on or before the 1st day of June, 1949, after which date they will convey or distribute such property or estate to or among the persons entitled thereto, having regard only to the claims of which they shall then have had notice.

ANDREW R. PHILLIPS, LL.B., A.I.C.A., of 57A Yarra-street, Geelong, solicitor for the said Lucy Gertrude Hynes, the said Catherine O'Connor, and the said Andrew Ralph Phillips. 7994

HENRY PERCIVAL STEWARD, late of Lethby-road Eaglehawk, gentleman, DECEASED.

CREDITORS, next of kin, and all other persons having claims against the estate of the deceased are required by James Steward, of Lethby-road, Eaglehawk, secretary, the executor to whom probate of the will of the said deceased was granted, to send particulars to him, care of the under-mentioned solicitors, on or before the 23rd day of May, 1949, after which date he will distribute the assets, having regard only to the claims of which he shall then have notice.

Dated this 23rd day of March, 1949.

T. M. WILLIAMS, WATSON, & JAMES, solicitors, 16 View-street, Bendigo. 7991

RALPH EDWIN CROFT, formerly of Clydebank, but late of Raymond-street, Sale, grazier (who died 3rd December, 1948).

CREDITORS, next of kin, and all other persons having claims against the estate of the deceased are required by the executor of the will, James Miller Croft, of Clydebank, grazier, to send particulars to him, care of the undersigned, on or before 25th May, 1949, after which date he will distribute the assets, having regard only to the claims of which he then has notice.

R. M. ROLLAND, solicitor, 57c Raymond-street, Sale. 8021

CHARLES BRUNELL TROOD, late of Sale, dentist (who died 20th October, 1948).

CREDITORS, next of kin, and all other persons having claims against the estate of the deceased are required by the executors of the will, Arthur Brunell Trood, of 9 Sleeth-avenue, Dandenong, assistant inspector, and Laura Evelyn Trood, of Sale, spinster, to send particulars to them, care of the undersigned, on or before 25th May, 1949, after which date they will distribute the assets, having regard only to the claims of which they then have notice.

R. M. ROLLAND, solicitor, 57c Raymond-street, Sale. 8020

HANS JACOB TRUNSHNIG, late of 276 Domain-road, South Yarra, retired brewer, DECEASED (who died on the 19th day of November, 1948).

CREDITORS, next of kin, and all other persons having claims against the estate of the above-named Hans Jacob Trunshnig, deceased, are required by the executors, Hermine Trunshnig, of 276 Domain-road, South Yarra, widow, and The Equity Trustees, Executors, and Agency Company Limited, of 472 Bourke-street, Melbourne, to whom probate of the will of the said deceased was granted on the 11th day of March, 1949, to send particulars of their claims to the said executors, care of the undersigned solicitors, on or before the 28th day of May, 1949, after which date they will distribute the assets of the said deceased among the persons entitled thereto, having regard only to the claims of which they then shall have notice, and they will not be liable to any person of whose claim they have not then received notice.

PAVEY, WILSON, COHEN, & CARTER, 360 Collins-street, Melbourne, solicitors. 8017

CREDITORS, next of kin, and others having claims in respect of the estate of Elizabeth Fetherston, formerly of 5 Buley-street, South Hawthorn, but late of 14 Golding-street, Canterbury, widow, deceased (who died on the 12th day of August, 1948), are required to send particulars of their claims to The Equity Trustees, Executors, and Agency Company Limited, whose registered office is situate at 472 Bourke-street, Melbourne, by the 19th day of May, 1949, after which date the said company will distribute the assets, having regard only to the claims of which it then has notice.

LEACH & THOMSON, solicitors, 472 Bourke-street, Melbourne. 8030

CREDITORS, next of kin, and others having claims in respect of the estate of Margaret Anderson, late of Allansford, in the State of Victoria, spinster, deceased (who died at Allansford aforesaid on the 20th day of October, 1947), are to send the particulars of their claims to Messrs. St. John Clarke, Mitchell, and Barwood, 1 Murray-street, Colac, the solicitors for Elsie May Anderson, the administratrix of the will and unadministered estate of the said deceased, by the 31st day of May, 1949, after which date the said administratrix will distribute the assets, having regard only to the claims of which she then has notice.

Dated this 16th day of March, 1949.

ST. JOHN CLARKE, MITCHELL, & BARWOOD, Colac, solicitors for the administratrix of the will and unadministered estate of Margaret Anderson, deceased. 8036

GEORGE PRINGLE, late of Ingleburn, in the State of New South Wales, labourer (who died on 12th January, 1948).

CREDITORS, next of kin, and all other persons having claims against the estate of the said deceased are required by the administrator of his estate, The Public Trustee in and for the State of New South Wales, of 19 O'Connell-street, Sydney, in the said State, to send particulars of such claims, in writing, to the said Public Trustee, on or before 26th May, 1949, after which date the assets will be distributed, having regard only to the claims of which notice has then been received.

PLANTE & HENTY, 395 Collins-street, Melbourne, solicitors for the administrator. 8034

THOMAS GRIFFIN, late of Kilmore, licensed victualler, DECEASED (who died on the 28th day of January, 1924).

CREDITORS, next of kin, and all other persons having claims against the estate of the above-named Thomas Griffin, deceased, are required by the surviving executor, Thomas Griffin, of 241 Bay-street, Port Melbourne, chemist (Hannah Griffin, late of Lancefield, widow, deceased, intestate, the other executor appointed by deceased's will having died on the 16th August, 1944), to whom probate of the will of the said deceased was granted on the 29th day of March, 1924, to send particulars of their claims to the said executor, care of the undersigned solicitors, on or before the 25th day of May, 1949, after which day he will distribute the assets of the said deceased among the persons entitled thereto, having regard only to the claims of which he then shall have notice, and he will not be liable to any person of whose claim he has not then received notice.

McNABB & McNABB, 422 Collins-street, Melbourne, solicitors. 8013

HANNAH GRIFFIN, late of Lancefield, widow, DECEASED, intestate (who died on the 16th day of August, 1944.)

CREDITORS, next of kin, and all other persons having claims against the estate of the above-named Hannah Griffin, deceased, are required by the administrator, Thomas Griffin, of 241 Bay-street, Port Melbourne, chemist, to whom letters of administration of the estate of the said deceased were granted on the 15th day of September, 1945, to send particulars of their claims to the said administrator, care of the undersigned solicitors, on or before the 25th day of May, 1949, after which day he will distribute the assets of the said deceased among the persons entitled thereto, having regard only to the claims of which he then shall have notice, and he will not be liable to any person of whose claim he has not then received notice.

McNABB & McNABB, 422 Collins-street, Melbourne, solicitors. 8014

CREDITORS, next of kin, and others having claims in respect of the estate of Christopher Dott, late of 25 Manningham-street, West Parkville, gentleman (who died on the 3rd day of June, 1948), are required to send particulars of their claims to The Equity Trustees, Executors, and Agency Company Limited, of 472 Bourke-street, Melbourne, by the 30th day of June, 1949, after which date it will distribute the assets, having regard only to the claims of which it then has notice.

Dated the 16th day of March, 1949.

MADDEN & CANDY, solicitors, 443 Little Collins-street, Melbourne. 8010

PURSUANT to the *Trustee Act 1928*, notice is hereby given that all creditors, next of kin, and other persons having claims against the estate of George Stretton Mallett, late of Seymour, in the State of Victoria, retired shopkeeper, deceased (who died on the 2nd day of January, 1949, and letters of administration with the will annexed of whose estate were granted by the Supreme Court of the said State, on the 4th day of March, 1949, to Lawrence Frederick Harvey Dusing, of Seymour aforesaid, shop assistant), are hereby required to send particulars of such claims to the administrator, in care of the undersigned, at his address hereunder set out, on or before the 31st day of May, 1949, after which date the said administrator will proceed to distribute the assets of the said deceased amongst the persons entitled thereto, having regard only to the claims of which he shall then have had notice.

W. J. OSBORNE, LL.B., solicitor, Station-street, Seymour. 8009

FLORENCE MAY EDGAR, late of Spring Vale-road, Spring Vale, in the State of Victoria, spinster, DECEASED (who died on the 2nd day of September, 1948).

CREDITORS, next of kin, and all others having claims against the estate of the above-named Florence May Edgar, deceased, are required by the executor, Lancel Clifford Edgar, of Spring Vale-road, Spring Vale aforesaid, poultry farmer, to whom probate of the will of the said deceased was granted on the 9th day of November, 1948, to send particulars of their claims to the said executor, care of the undersigned solicitor, on or before the 1st June, 1949, after which date he will distribute the assets of the said deceased among the persons entitled thereto, having regard only to the claims of which he then shall have notice, and he will not be liable to any person of whose claim he has not then had notice.

EDWIN LE MESSURIER, solicitor, Dingley. 8008

PURSUANT to the *Trustee Act 1928*, notice is hereby given that all persons having claims against the estate of Sarah Ann Woodcock, late of 79 Watton-street, Werribee, in the State of Victoria, widow, deceased (who died on the 5th day of November, 1948, and probate of whose will was granted by the Supreme Court of Victoria, on the 23rd day of February, 1949, to Allan Carter, of Watton-street, Werribee aforesaid, electrician), are hereby required to send particulars, in writing, of such claims to the said executor, care of the undersigned solicitors, on or before the 30th day of May, 1949, after which date the said executor will proceed to distribute the assets of the said deceased which shall have come to his hands among the persons entitled thereto, having regard only to the claims of which he shall then have had notice.

LUCAS & MUMME, solicitors, 383 Little Flinders-street, Melbourne. 8053

NOTICE TO CREDITORS.—*RE* MARY HILL, DECEASED.

PURSUANT to the provisions of the *Trustee Act* 1928, notice is hereby given that all persons having any claims against the estate of Mary Hill, deceased, late of 63 Princess-street, Kew, spinster (who died on the 11th day of January, 1949, and probate of whose will and codicil thereto was granted to Maxwell Harry Joseph, of 403 Bourke-street, Melbourne, solicitor), are hereby required to send in particulars of such claims, in writing, to the undersigned, before the 29th day of May, 1949, after which date the said executor will distribute the assets of the estate of the said Mary Hill, deceased, which shall have come to the hands or possession of the said executor amongst the persons entitled thereto, having regard only to the claims of which the said executor shall have had notice, and the said executor will not be liable for the assets, or any part thereof, so distributed to any person of whose claim he shall not then have had notice.

Dated this 23rd day of March, 1949.

STRONGMAN & CROUCH, of 403 Bourke-street, Melbourne, solicitors for the above-named executor 8051

GEORGE FREDERICK PROSSER, late of 70 Wetherill-street, North Lidcombe, in the State of New South Wales, DECEASED.

CREDITORS, next of kin, and others having claims against the estate of the above-named deceased are required by the executrix, Dulcie Hall, to send particulars to her at the under-mentioned address, on or before 28th May, 1949, after which date she will distribute the assets of the estate, having regard only to the claims of which she then has notice.

RODDA, BALLARD, & VROLAND, solicitors, 430 Little Collins-street, Melbourne. 8050

PHAROAH CARDWELL, late of 40 Francis-street, Ascot Vale, in the State of Victoria, married woman, DECEASED.

CREDITORS, next of kin, and others having claims against the estate of the above-named deceased are required by the executor, Lindsay Rendle Cardwell, to send particulars to him at the under-mentioned address, on or before 28th May, 1949, after which date he will distribute the assets of the said deceased, having regard only to the claims of which he then has notice.

RODDA, BALLARD, & VROLAND, solicitors, 430 Little Collins-street, Melbourne. 8049

MARGARET STEPHENSON, late of 50 Davies-street, East Brunswick, in the State of Victoria, widow, DECEASED.

CREDITORS, next of kin, and others having claims against the estate of the above-named deceased are required by the executors, Thomas Angus Stephenson and Neil Clarke, to send particulars to them, at the under-mentioned address, on or before 23rd May, 1949, after which date they will distribute the assets of the said deceased, having regard only to the claims of which they then have notice.

RODDA, BALLARD, & VROLAND, solicitors, 430 Little Collins-street, Melbourne. 8048

MARY AMELIA OSBORNE, late of 382 Glenferrie-road, Malvern, in the State of Victoria, widow, DECEASED.

CREDITORS, next of kin, and others having claims against the estate of the above-named deceased are required by the executors, Bernice Ley Smith and Rupert Henry Langridge Meakin, to send particulars to them, at the under-mentioned address, on or before 28th May, 1949, after which date they will distribute the assets of the said deceased, having regard only to the claims of which they then have notice.

RODDA, BALLARD, & VROLAND, solicitors, 430 Little Collins-street, Melbourne. 8047

JOHN HALLIFAX, late of 29 Spring-road, Malvern, in the State of Victoria, gentleman, DECEASED.

CREDITORS, next of kin, and others having claims against the estate of the above-named deceased are required by the executors, John Hallifax and Grace Elizabeth Hallifax, to send particulars to them, at the under-mentioned address, on or before 28th May, 1949, after which date they will distribute the assets of the said deceased, having regard only to the claims of which they then have notice.

RODDA, BALLARD, & VROLAND, solicitors, 430 Little Collins-street, Melbourne. 8046

NOTICE TO CREDITORS.

CREDITORS, next of kin, and others having claims in respect of the estate of Michael Gorman, late of 53 Horace-street, Malvern, gentleman, deceased (who died on the 10th day of December, 1948), are required to send particulars of their claims to Elsie Kathleen Wood, care of the undersigned, by the 31st day of May, 1949, after which date she will distribute the assets, having regard only to those claims of which she then has notice.

PARKINSON, WETTENHALL, & HART, solicitors, 357 Little Collins-street, Melbourne. 8045

CREDITORS, next of kin, and others having claims in respect of an estate of Hector John Lane, late of 14 MacArthur-place, Carlton, clerk, deceased (who died on the 16th October, 1948), are to send particulars of their claims to National Trustees, Executors, and Agency Company of Australasia Limited, of 95 Queen-street, Melbourne, by the 2nd day of June, 1949, after which date it will distribute the assets, having regard only to the claims of which it then has notice.

F. J. BARLOW & CO., solicitors, 379 Collins-street, Melbourne, C.1. 8040

CREDITORS, next of kin, and others having claims in respect of Claude Slack, late of corner of Nerang and Scarborough streets, Southport, in the State of Queensland, hotelkeeper, deceased, intestate (who died 19th October, 1948), are to send particulars of their claims to the administrator, The Union Trustee Company of Australia Limited, at its registered address, 333 Collins-street, Melbourne, in the State of Victoria, by the 25th day of May, 1949, after which date the said company will distribute the assets of the said deceased, having regard only to the claims of which it then has notice.

BERNARD NOLAN, 408 Collins-street, Melbourne, solicitor. 8041

THOMAS DAVIDSON, formerly of Reeve-street, Sale, but late of Desailly's Flat, Sale, dairyman (who died 22nd May, 1948).

CREDITORS, next of kin, and all other persons having claims against the estate of the deceased are required by the executor of the will, Ewen Pooley, of Desailly's Flat, Sale, dairy farmer, to send particulars to him, care of the undersigned, on or before 25th May, 1949, after which date he will distribute the assets, having regard only to the claims of which he then has notice.

R. M. ROLLAND, solicitor, 57c Raymond-street, Sale. 8019

FREDERICK ALFRED LOUIS CALLIL, DECEASED.

PURSUANT to the *Trustee Act* 1928, notice is hereby given that all persons having claims against the estate of Frederick Alfred Louis Callil, late of Equity Chambers, Bourke-street, Melbourne, in the State of Victoria, barrister-at-law, deceased (who died on the 26th day of August, 1947, and probate of whose will was granted by the Supreme Court of the State of Victoria, in its probate jurisdiction, on the 8th day of March, 1949, to Lorraine Claire Callil, of 56 Cole-street, Elwood, in the said State, widow), are hereby required to send particulars, in writing, of such claims to the said Lorraine Claire Callil, care of the under-mentioned proctors, on or before the 30th day of May, 1949, after which date the said Lorraine Claire Callil will proceed to distribute the assets of the said Frederick Alfred Louis Callil, deceased, which shall have come to her hands amongst the persons entitled thereto, having regard only to claims of which she shall then have had notice. And notice is hereby further given that the said Lorraine Claire Callil will not be liable for the assets so distributed, or any part thereof, to any person of whose claim she shall not have had notice as aforesaid.

Dated 21st day of March, 1949.

CORR & CORR, 104 Queen-street, Melbourne, proctors for the said executrix. 8043

CREDITORS, next of kin, and others having claims in respect of the estate of Thomas Moore Semmel, formerly of 14 Walnut-street, Ormond East, in the State of Victoria, but late of 12 Young-street, Middle Brighton, in the said State, State school teacher, deceased (who died on the 22nd November, 1948), are to send the particulars of their claims to The Perpetual Executors and Trustees Association of Australia Limited, 100 Queen-street, Melbourne, by the 24th day of May, 1949, after which date it will distribute the assets, having regard only to the claims of which it then has notice. 8059

WILLIAM STANLEY DURHAM, formerly of 7 Trenoweth-street, West Brunswick, aircraft inspector, but late of 425A Toorak-road, Burwood aforesaid, manager, DECEASED (who died on the 14th day of October, 1948).

CREDITORS, next of kin, and all other persons having claims against the estate of the deceased are required by the executrix of the will, Mavis Jean Durham, of 425A Toorak-road, Burwood aforesaid, widow, to send particulars to her, care of the undersigned, on or before the 26th day of May, 1949, after which date she will distribute the assets, having regard only to the claims of which she then has notice.

MOLOMBY & MOLOMBY, solicitors, 99 Queen-street, Melbourne. 8057

NOTICE TO CREDITORS AND OTHERS.

PURSUANT to the *Trustee Act* 1928, notice is hereby given that all persons having claims against the estate of Richard Arthur Farnes, late of 148 Princes-street, Carlton, in the State of Victoria, retired labourer, deceased (who died on the 20th day of January, 1949, and letters of administration of whose estate were granted by the Supreme Court of the State of Victoria, in its probate jurisdiction, on the 17th day of March, 1949, to William John Farnes, of 40 Northcote-avenue, Balwyn, in the State of Victoria, driver, son of the said deceased, the administrator of his estate), are hereby required to send particulars, in writing, of such claims to the said William John Farnes, at the office of his under-mentioned solicitors, on or before the 1st day of June, 1949. And notice is hereby also given that after the last-mentioned date the said William John Farnes will proceed to distribute the assets of the said Richard Arthur Farnes, deceased, amongst the persons entitled thereto, having regard only to the claims of which he shall then have had notice, and the said William John Farnes will not be liable for the assets, or any part thereof, so distributed to any person of whose claim he shall not then have had notice.

Dated the 21st day of March, 1949.

A. L. C. FLINT & MARRIE, of 90 Queen-street, Melbourne, solicitors for the applicant. 8038

MINA FLEMING, DECEASED.

PURSUANT to the *Trustee Act* 1928, notice is hereby given that all persons having claims against the estate of Mina Fleming, late of "St. Leonard's," 23 McIndoe-parade, Parkdale, in the State of Victoria, married woman, deceased (who died on the 27th day of April, 1948, and probate of whose will was granted by the Supreme Court of the said State, in its probate jurisdiction, on the 23rd day of July, 1948, to Thomas Smith Fleming, of Ultima, in the said State, farmer, and George Fleming, the younger, of 15 Walsh-street, Deepdene, in the said State, manager), are hereby required to send particulars, in writing, of such claims to the said executors, care of the under-mentioned proctors, on or before the 30th day of May, 1949, after which date the said executors will proceed to distribute the assets of the said Mina Fleming, deceased, which shall have come to their hands amongst the persons entitled thereto, having regard only to the claims of which they shall then have had notice. And notice is hereby given that the said executors will not be liable for the assets so distributed, or any part thereof, to any person of whose claim they shall not have had notice as aforesaid.

Dated the 21st day of March, 1949.

CORR & CORR, 104 Queen-street, Melbourne, proctors for the said executors. 8042

PURSUANT to the *Trustee Act* 1928, notice is hereby given that all persons having claims against the estate of Joseph Graham, late of Werribee South, in the State of Victoria, retired farmer, deceased (who died on the 18th day of November, 1948, and probate of whose will was granted by the Supreme Court of Victoria, on the 18th day of February, 1949, to Joseph Francis Graham and Lorimer Dixon Graham, both of Werribee South aforesaid, farmers), are hereby required to send particulars, in writing, of such claims to the said executors, care of the undersigned solicitors, on or before the 30th day of May, 1949, after which date the said executors will proceed to distribute the assets of the said deceased which shall have come to their hands among the persons entitled thereto, having regard only to the claims of which they shall then have had notice.

LUCAS & MUMME, solicitors, 383 Little Flinders-street, Melbourne. 8052

CREDITORS, next of kin, and others having claims in respect of the estate of Johanna Egan, late of 12 Taylor-street, Moonee Ponds, home duties, deceased (who died on 18th October, 1948), are to send particulars of their claims to The Trustees, Executors, and Agency Company Limited, of 401 Collins-street, Melbourne, by the 21st May, 1949, after which date it will distribute the assets, having regard only to the claims of which it then has notice.

JAMES P. OGGIE, LL.B., solicitor, 165 Greville-street, Prahran. 8037

CREDITORS, next of kin, and others having claims in respect of the estate of Eleanor Valeria Lewis, late of Pinegates, Leopold-avenue, North Farnborough, Hampshire, England, married woman, deceased (who died on the 17th day of October, 1947), are to send particulars of their claims to The Trustees, Executors, and Agency Company Limited, at its registered office, at 401 Collins-street, Melbourne, in the State of Victoria, by the 25th day of May, 1949, after which date it will distribute the assets, having regard only to the claims of which it then has notice.

MALLESON, STEWART, & CO., solicitors, 46 Queen-street, Melbourne, C.I. 8055

HENRY JOSEPH HUTCHINSON, formerly of H.M.A.S. *Shropshire*, but late of 14 Leopold-street, South Yarra, in the State of Victoria, lieutenant (E) R.A.N., DECEASED (who died on the 12th day of November, 1948).

CREDITORS, next of kin, and other persons having claims against the estate of the said deceased are required by Laura Elaine Hutchinson, of 14 Leopold-street, South Yarra aforesaid, widow, the administratrix, with the will annexed, of the estate of the said deceased, to send particulars of claims, in writing, to the said Laura Elaine Hutchinson, at her address aforesaid, on or before the 26th day of May, 1949, after which date the said administratrix will distribute the assets, having regard only to the claims of which she shall then have had notice.

MADDEN, BUTLER, ELDER, & GRAHAM, 406 Collins-street, Melbourne. 8054

NOTICE TO CLAIMANTS.

CREDITORS, next of kin, and others having claims in respect of the estate of George Routledge Stubbs, formerly of Archerton, but late of Mansfield, in the State of Victoria, grazier, deceased (who died on the 7th day of July, 1948), are to send particulars of their claims to The Ballarat Trustees, Executors, and Agency Company Limited, whose registered office is situated at No. 101 Lydiard-street north, Ballarat, in the said State, by the 11th day of June, 1949, after which date it will distribute the assets, having regard only to the claims of which it then has notice.

Dated the 18th day of March, 1949.

MAL. RYAN, LL.B., High-street, Mansfield, proctor for the company. 8007

IRENE MARY CONSTABLE, late of St. Arnaud, married woman, DECEASED, intestate.

CREDITORS, next of kin, and others having claims in respect of the estate of the deceased (who died on the 14th June, 1947) are required to send particulars of their claims to the administrator, Charles Elias Constable, of St. Arnaud, retired, care of the undersigned, on or before the 27th May, 1949, after which date he will distribute the assets, having regard only to the claims of which he then has notice.

MITCHELL & MONOTTI, solicitors, St. Arnaud. 8004

CREDITORS, next of kin, and others having claims in respect of the estate of James Fairnie, late of Moyston, in the State of Victoria, farmer, deceased (who died on the 16th November, 1948), are to send the particulars of their claims to the Ballarat Trustees, Executors, and Agency Company Limited, of 101 Lydiard-street north, Ballarat, in the said State, by the 24th day of May, 1949, after which date it will distribute the assets, having regard only to the claims of which it then has notice.

BRIGGS & O'DRISCOLL, solicitors, 112 Barkly-street, Ararat. 8003

Trustee Act 1928.

NOTICE TO CLAIMANTS.

PURSUANT to the *Trustee Act 1928*, creditors, next of kin, and all other persons having claims in respect of the estate of any deceased person named below are required to send particulars thereof to the legal personal representative or representatives at the address stated below, on or before the date stated, after which date the representative or representatives will distribute the assets, having regard only to the claims of which notice has been received:—

Noel Trenerry Ridge, late of 42 Myrtle-grove, Blackburn, in the State of Victoria, poultry farmer, who died on 20th September, 1948.—Claims to the administrator, Mayhew Walford Ridge, of the same address, poultry farmer, by 27th May, 1949. Hedderwick, Fookes, and Alston, 103 William-street, Melbourne, solicitors for the administrator.
8012

Annie Ethel Dorcas Williams (generally known as Annie Williams), formerly of Bunyip, but late of 96 Union-street, South Brunswick, widow, deceased, died 10th January, 1949.—Claims to the executors, Leslie James Williams, of 55 Sutherland-street, West Brunswick, builder, and Frederick Carter Read, of Temple Court, 422-8 Collins-street, Melbourne, solicitor, care of Read and Read, solicitors, Temple Court, 422-8 Collins-street, Melbourne, by the 28th May, 1949.
8011

Joseph Pope, late of Orford, farmer, deceased, who died 14th January, 1949.—Claims to the executors, Eva Theresa Pope, widow, and Austin Joseph Pope, farmer, both of Orford, care of J. W. Fowling, solicitor, Port Fairy, by 28th May, 1949.
8022

In the Supreme Court of the State of Victoria.—*Fi. Fa.*

NOTICE is hereby given that, under and by virtue of certain process issued out of the Supreme Court of the State of Victoria, and directed to the Sheriff, requiring him to levy certain moneys of the real and personal estate of Sea Farm Foods (Aust.) Proprietary Limited, of 144 Barkly-street, Ararat, the said Sheriff will, on Thursday, the 5th day of May, 1949, at the hour of Two o'clock in the afternoon, cause to be sold, at the Police Station, at Barkly-street, Ararat (unless the said process shall have been previously satisfied, or the said Sheriff be otherwise stayed):—

All the right, title, estate, and interest (if any) of the said Sea Farm Foods (Aust.) Proprietary Limited, in all that piece of land being part of Crown allotment 2, section 25, Town and Parish of Ararat, County of Ripon, and being the whole of the land more particularly described in certificate of title entered in the Register Book, volume 6744, folio 1348739.

N.B.—Terms: Cash. Cheques not accepted.

Dated at Stawell, this 18th day of March, 1949.

8029

A. R. CROFT, Sheriff's Officer.

In the Supreme Court of the State of Victoria.—*Fi. Fa.*

NOTICE is hereby given that, under and by virtue of certain process issued out of the Supreme Court of the State of Victoria and directed to the Sheriff, requiring him to levy certain moneys of the real and personal estate of Neville Mons King, of 84 Nelson-road, Box Hill, saw miller, the said Sheriff will, on Monday, the 2nd day of May, 1949, at the hour of Eleven o'clock in the forenoon, cause to be sold at the Police Station, Whitehorse-road, Box Hill (unless the said process shall have been previously satisfied or the said Sheriff be otherwise stayed):—

All the right, title, estate, and interest (if any) of the said Neville Mons King, in and to all that piece of land, being part of lot 21, block 3, on plan of subdivision, lodged in the Office of Titles, No. 1879, and being part of Crown portion 3, Parish of Nunawading, County of Bourke, and being the land more particularly described in certificate of title, lodged in the Office of Titles, volume 5596, folio 1119172.

N.B.—Terms: Cash. No cheques taken.

Dated at Melbourne this 21st day of March, 1949.

8035

FRANCIS H. TUCKER, Sheriff's Officer.

IMPOUNDINGS.

BOX HILL.—Impounded at Box Hill, by L. C. Richards.

1 brown gelding, hind fetlocks white, unshod, like 8 near shoulder

If not claimed and expenses paid, to be sold on 31st March, 1949.

1 brown gelding, running star and snip, off hind fetlock white, like Q near shoulder

If not claimed and expenses paid, to be sold on 7th April, 1949.

7996, 8023—9/2

H. J. BARRETT,

Poundkeeper.

BROADMEADOWS.—Impounded at Campbellfield.

1 red and white yearling heifer, no visible brand

1 brindle yearling heifer, no visible brand

1 yellow yearling heifer, no visible brand

If not claimed and expenses paid, to be sold on 7th April, 1949.

8026—6/8

A. OLIVER,

Poundkeeper.

CRANBOURNE.—Impounded at Cranbourne, by Ranger, from Halls-road.

1 red poll heifer, no visible brand

1 brindle poll heifer, 18 months, no visible brand

If not claimed and expenses paid, to be sold on 4th April, 1949.

8025—6/8

F. H. CLARK,

Poundkeeper.

FERNTREE GULLY.—Impounded at Ferntree Gully, by Alberni Bros.

1 Jersey bull, about 2½ years, right ear marked, no visible brand

If not claimed and expenses paid, to be sold on 7th April, 1949.

8062—6/8

A. DINSDALE,

Poundkeeper.

MANSFIELD.—Impounded at Mansfield, by H. T. Yeneken.

1 Dorset Horn ram, no visible brand

If not claimed and expenses paid, to be sold on 1st April, 1949.

8027—5/10

R. WOMERSLEY,

Poundkeeper.

WODONGA.—Impounded at Wodonga, on the 8th March, 1949.

1 baldy heifer, slit off ear, no visible brand

1 dark bay mare, near hind foot white, like half-circle over W

If not claimed and expenses paid, to be sold on 9th April, 1949.

8005—7/6

R. SAUNDERS,

Poundkeeper.

YARRAWONGA.—Impounded at Yarrowonga, on 19th March, 1949.

1 chestnut gelding, aged, star on forehead, no visible brand

If not claimed and expenses paid, to be sold on 6th April, 1949.

8024—5/10

F. N. E. JENKINS,

Poundkeeper.

AGENTS FOR THE "VICTORIA GOVERNMENT GAZETTE."

THE following have been appointed agents to receive Advertisements and subscriptions for the *Victoria Government Gazette*:—

ARMSTRONG'S AGENCY, 143 Queen-street, Melbourne.

MESSRS. ARNALL & JACKSON, 115 Barkly-street, West Brunswick.

MESSRS. GORDON & GOTCH, News Agents, 511 Little Collins-street, Melbourne; and corner Barrack and Clarence streets, Sydney.

MESSRS. HARSTON, PARTRIDGE, & CO., 455 Little Collins-street, Melbourne.

ROBERTSON & MULLENS LTD., Elizabeth-street, Melbourne.

MESSRS. A. S. RICHARDSON and T. C. GARDNER, trading as The Mercantile Exchange, 380 Collins-street, Melbourne.
 A. J. DIGBY (B. S. and N. W. CASH), Main-street, Bairnsdale.
 Mr. M. R. BADE, Tobacconist, Sturt-street, Ballarat.
 EDGAR'S NEWS AGENCY, Hargreaves-street, Bendigo.
 MESSRS. H. PAYNE & R. N. LOWE, 4 View Point, Bendigo.
 Mr. C. F. LATIMER, News Agent, Casterton.
 MESSRS. HENRY FRANKS & CO., Booksellers and Stationers, Market-square, Geelong.
 MESSRS. SMITH & DUNNON, Hamilton.
 ARMSTRONG BROS., Kyneton.
 MR. WM. DAVIS, Mildura.
 PIKE'S AUTHORIZED NEWS AGENCY, Sale.
 MR. C. T. RUST, News Agent, Wangaratta.
 MR. F. T. McCORMICK, Nunn-street, Benalla.
 W. GORDON HAMPTON, 243 Mitchell-street, Bendigo.
 R. & A. SMALLMAN, News Agents, Toora.
 TRAINOR & McBRIDE, 246 Wyndham-street, Shepparton.
 E. W. B. WELSH, Hogan-street, Tatura.

A copy of the Gazette filed at each place for public reference.

THE "VICTORIA GOVERNMENT GAZETTE."

SUBSCRIPTIONS.—The subscription, including postage, is £1 12s. 6d. per annum, 16s. 3d. half-yearly, or 8s. 2d. per quarter, payable in advance.

Subscriptions are required to commence and terminate with a month.

A lesser period than three months cannot be subscribed for.

Subscribers do not receive the Acts of Parliament with the GAZETTE.

ADVERTISEMENTS are charged at the rate of TEN PENCE per line single column, and ONE SHILLING and EIGHT PENCE per line double column.

The title (£5 Reward, Dissolution of Partnership, &c.) forms one or more lines as a heading.

On an average, ten words make a line.

Every signature must likewise be counted as a line.

The final words of a paragraph, though only portion of a line must be counted as one line.

SIGNATURES (in particular) and proper names must be written very plainly in the text; ONE SIDE ONLY of each slip of paper should be WRITTEN UPON.

ALL COMMUNICATIONS should be addressed to "The Government Printer, Melbourne."

ALL DOCUMENTS illegibly written will be returned unpublished, and, where brands occur unprovided for by the ordinary letters of the alphabet, a worded explanatory description must be furnished.

THE VICTORIA GOVERNMENT GAZETTE is published on WEDNESDAY EVENING in each week, and Notices for insertion will be received by the Government Printer at or before Two p.m. at ordinary rates, and late advertisements between Two p.m. and Five p.m. at double rates on the day preceding the day of publication.

Single copies of the VICTORIA GOVERNMENT GAZETTE are Six pence, posted Eight pence, each.

No GAZETTES prior to January, 1939, in stock.

***ALL PAYMENTS ARE REQUIRED IN ADVANCE.—Remittances should be made by postal note, money order, or draft in favour of the Government Printer. Advertisements unaccompanied by a remittance sufficient to cover the cost of insertion will be returned unpublished.

PUBLICATION OF OFFICIAL MATTER.

ATTENTION is invited to the following procedure in relation to the publication of official matter in the Government Gazette:—

1. Matter submitted to the Executive Council.

Matter submitted to the Executive Council which requires gazettal will normally be published in the issue of the following week.

Where urgent gazettal is required, special arrangements should be made with the Gazette Officer.

Publication will be facilitated by the submission of carbon copies for the use of the Gazette Officer.

2. Other matter.

(a) All other matter duly certified by a responsible officer for publication should be lodged with the Gazette Officer not later than half-past Ten a.m. on Tuesday.

(b) Lengthy or involved notices should be forwarded several days before publication.

(c) Proofs, which will be supplied only when specifically requested or at the direction of the Gazette Officer, should be returned promptly to avoid delay in publication.

(d) No additions or amendments to matter for publication will be accepted by telephone.

CONTENTS.

	PAGE.
Appointments	1854
Bank Half-Holiday	1854
Contracts	1859
Country Roads Board	1869
Easter Holidays	1854
Estates of Deceased Persons	1858
Government Notices	1855
Impoundings	1891
Lands	1870
Mining	1865
Orders in Council	1866
Private Advertisements	1882
Proclamations	1853
Publication of the Government Gazette	1854
Public Half-Holidays	1854
Public Holidays	1854
Public Service Notices	1876
Stay Order	1865
Tenders	1874
Transport Regulation Board—Public Hearings	1856
Waterworks Trusts	1863

J
E
B
A
B