



VICTORIA
GOVERNMENT GAZETTE.

Published by Authority.

[Registered at the General Post Office, Melbourne, for transmission by post as a newspaper.]

No. 710]

TUESDAY, AUGUST 23.

[1949

Factories and Shops Acts.

**DETERMINATION OF A WAGES BOARD ADJUSTED PURSUANT TO SECTION 21 OF THE
FACTORIES AND SHOPS ACT 1934 (No. 4275).**

I, Raymond Henry Beers, Secretary for Labour, in pursuance of the powers conferred by the Factories and Shops Acts, hereby make and issue the following adjusted Determination of the Wages Board referred to hereunder showing adjusted rates and prices to operate from the beginning of the first pay period to commence in August, 1949.

Dated at Melbourne, this
19th day of August, 1949.

RAY. H. BEERS,
Secretary for Labour.

ENGINEERS AND BRASSWORKERS (UNSKILLED) BOARD.

Clauses 2 and 3 of the Determination published in *Government Gazette* No. 29 of the 11th January, 1940, shall be replaced by the following clauses:—

2. WAGES PER WEEK OF 40 HOURS.

Adults.	Within 20 miles of G.P.O., Melbourne, 10 miles of G.P.O., Geelong, at Warrambool, and within Mildura and Gippsland Districts.	At Yallourn.	Other Parts of Victoria.
	£ s. d.	£ s. d.	£ s. d.
(a) Ironworking and General—			
Assembler (leading hand)	7 13 0	7 19 6	7 10 0
Assembler (assistant)	7 8 0	7 14 6	7 5 0
Attendant at small rivet heating, bolt heating or similar types of fires or furnaces	7 13 0	7 19 6	7 10 0
Belt repairer	7 11 0	7 17 6	7 8 0
Blacksmith's striker	7 11 0	7 17 6	7 8 0
Blacksmith's striker on double fires and other assistant	7 13 0	7 19 6	7 10 0
Block and tackle hand	7 13 0	7 19 6	7 10 0
Boiler (inside) chipper and cleaner	7 17 0	8 3 6	7 14 0
Cold saw operator	7 13 0	7 19 6	7 10 0
Die caster	7 16 0	8 2 6	7 13 0
Dogman	7 13 0	7 19 6	7 10 0

WAGES PER WEEK OF 40 HOURS—*continued.*

Adults.	Within 20 Miles of G.P.O., Melbourne, 10 Miles of G.P.O., Geelong, at Warrnambool, and within Mitsu and Gippsland Districts.	At Yallourn.	Other Parts of Victoria.
	£ s. d.	£ s. d.	£ s. d.
*Dresser and grinder using portable machine	7 15 0	8 1 6	7 12 0
*Dresser, shot blast and sand blast—			
(a) who operates from outside a properly enclosed cabin	7 11 0	7 17 6	7 8 0
(b) other	8 1 0	8 7 6	7 18 0
*Dresser and grinder (other)	7 13 0	7 19 6	7 10 0
*Emery wheel attendant	7 13 0	7 19 6	7 10 0
*Employee directly assisting an employee whose margin above the basic wage is 25s. or more	7 11 0	7 17 6	7 8 0
Forge assistant, i.e., underhand, hammer driver, and crane man, employed on work 10 cwt. or over	7 15 0	8 1 6	7 12 0
Forger's assistant	7 13 0	7 19 6	7 10 0
Friction saw operator	7 11 0	7 17 6	7 8 0
Furnaceman—forge	8 15 6	9 2 0	8 12 6
Furnaceman's assistant—forge	7 13 0	7 19 6	7 10 0
*Furnaceman—electric	8 2 0	8 8 6	7 19 0
*Furnaceman—other (excepting cupols furnaceman)	7 17 0	8 3 6	7 14 0
*Furnaceman's assistant	7 11 0	7 17 6	7 8 0
*Grinding machine or emery wheel operator	7 13 0	7 19 6	7 10 0
Hammer driver	7 13 0	7 19 6	7 10 0
Lagger	7 11 0	7 17 6	7 8 0
Machinist—3rd class (as defined)	7 16 0	8 2 6	7 13 0
Overhead oiler	7 11 0	7 17 6	7 8 0
Painter of ironwork, using spray	7 12 0	7 18 6	7 9 0
Painter of ironwork (other than ship painter) using brush	7 11 0	7 17 6	7 8 0
Person employed in preparing iron or steel material for reinforcing concrete for building or other purposes—			
On bending and cutting machines	7 13 0	7 19 6	7 10 0
On bending and cutting machines (assistant)	7 10 0	7 16 6	7 7 0
On steel fabric machines	7 13 0	7 19 6	7 10 0
On steel fabric machines (assistant)	7 8 0	7 14 6	7 5 0
Person working with hammer 14 lb. weight or over—			
On repair work	8 1 3	8 7 9	7 18 3
On other work	7 13 3	7 19 9	7 10 3
Pickler	7 11 0	7 17 6	7 8 0
Piler	7 13 0	7 19 6	7 10 0
Process worker	7 10 0	7 16 6	7 7 0
Rigger and/or splicer	7 17 0	8 3 6	7 14 0
Tar dipper	7 11 0	7 17 6	7 8 0
Other employees with not less than three months' experience in the metal trades industry	6 17 0	7 3 6	6 14 0
Employee not elsewhere classified	6 11 0	6 17 6	6 8 0
(b) Manufacturing or preparing lead and shot—			
Pipe trap machine operator	8 6 0	8 12 6	8 3 0
Roller	7 19 0	8 5 6	7 16 0
Extrusion press operator	7 18 0	8 4 6	7 15 0
Melter of lead alloys	7 11 0	7 17 6	7 8 0
Lead wool machinist	7 10 0	7 16 6	7 7 0
Molten metal feeder and/or mixer for shot	7 10 0	7 16 6	7 7 0
Roller's assistant	7 11 0	7 17 6	7 8 0
Pipe trap machine operator's assistant	7 11 0	7 17 6	7 8 0
Extrusion press operator's assistant	7 10 0	7 16 6	7 7 0
Other employees with not less than three months' experience in the metal trades industry	6 17 0	7 3 6	6 14 0
All others	6 11 0	6 17 6	6 8 0

* When these employees are employed in foundries the rates herein prescribed shall be increased by 5s. per week (i.e., a further loading of 3s. and an additional margin of 2s.).

Leading Hands.

Leading hands in charge of not less than three and not more than ten employees, 9s. per week extra; more than ten and not more than twenty employees, 18s. per week extra; more than twenty employees, 27s. per week extra.

Ship Repairing.

Employees covered by this Determination who are engaged on ship repairs shall receive an additional margin of 3s. per week.

TRADESMEN IN LARGE POWER HOUSES.

Tradesmen and/or welders, and their assistants employed in large operating power houses (i.e., power houses developing more than 8,000 kilowatts), other than those not on the regular staff, engaged on new construction work, shall be paid 6s. per week extra, and other unapprenticed juniors 3s. per week extra; such amount shall be deemed to include all special rates prescribed in clause 4.

This allowance shall continue to be payable to tradesmen attached to the staffs of such power houses while carrying out repairs or maintenance in rotary converter sub-stations which are in regular operation.

Provided that an employee detailed to act as leading hand in charge of two other adult employees working away from power station or workshop (one of whom is of the same classification as himself) shall be paid 6s. per week extra.

FEMALES AND UNAPPRENTICED MALE JUNIORS.

3. (a) Subject to the exceptions hereinafter provided, the minimum rates of wage for adult and junior females employed in manufacturing and assembling of small parts of electrical and other machinery and appliances, and in core making, in which females were employed on the 15th May, 1935, and for unapprenticed male juniors employed in occupations for which apprenticeship is not provided by this Determination, shall be as follows :—

WAGES PER WEEK OF 40 HOURS.

—	Percentage of Needs Basic Wage.	Constant Loading.	War Loading.	Additional Amount.	Total Wage Payable.		
					Within 20 miles of G.P.O., Melbourne, within 10 miles of G.P.O., Geelong, at Warrnambool, and within Mildura and Gippsland Districts.	At Yallourn.	Other Parts of Victoria.
	Per Week.	Per Week.	Per Week.	s. d.	£ s. d.	£ s. d.	£ s. d.
<i>I.—Adult Females.</i>							
Under three months' experience	65	3 0	..	6 0	4 8 6	4 12 6	4 6 6
All others	75	3 0	..	7 0	5 1 6	5 6 6	4 19 0
<i>II.—Junior Females.</i>							
17 years of age and under	40	1 0	..	3 6	2 13 6	2 16 0	2 12 0
18 years of age	47½	1 3	..	4 0	3 3 0	3 6 6	3 2 0
19 years of age	55	1 6	..	4 6	3 13 0	3 16 6	3 11 6
20 years of age	62½	2 0	..	5 0	4 3 0	4 7 6	4 1 6
<i>III.—Junior Males.</i>							
Under 16 years of age ..	25	0 6	..	2 0	1 13 0	1 14 6	1 12 0
16 years of age	35	0 9	..	3 0	2 6 6	2 8 6	2 5 6
17 years of age	47½	1 0	..	4 0	3 3 0	3 6 0	3 1 6
18 years of age	60	1 0	..	5 0	3 19 0	4 3 0	3 17 6
19 years of age	75	2 0	..	6 0	4 19 6	5 4 6	4 17 0
20 years of age	90	2 0	..	7 0	5 19 0	6 4 6	5 16 0
<i>IV.—Junior Males (Foundries).</i>							
Under 16 years of age ..	25	0 6	1 0	2 0	1 14 0	1 15 6	1 13 0
16 years of age	33	0 9	1 9	2 6	2 5 6	2 7 6	2 4 6
17 years of age	60	1 0	3 0	5 0	4 2 0	4 6 0	4 0 6
18 years of age	75	2 0	4 0	6 0	5 3 6	5 8 6	5 1 0
19 years of age and over	90	2 6	4 6	7 0	6 4 0	6 9 6	6 1 0

A junior employee of eighteen years or more shall be paid 3s. per week in addition to the rates prescribed herein while he is employed as a furnaceman or assistant to a furnaceman.

Provided that the rate payable to any employee shall not, excluding the constant loading, be less than 20s. The total wage shall be calculated to the nearest sixpence, any broken part of sixpence in the result not exceeding threepence to be disregarded.

(b) Except in the case of employees in foundries, the minimum rate payable to a junior female of any age or a junior male of eighteen years or more each with less than six months' experience under this Determination shall, until he or she has had six months' experience, be 10 per cent. less than the amount represented by the percentage of the needs basic wage hereby prescribed for a junior employee of his or her age and in addition thereto the constant loading prescribed for such an employee :

Provided that this sub-clause shall not operate to reduce the rates paid to any female employee as from the beginning of the first pay period to commence in August, 1942.

(c) Junior employees employed on the following machines or operations shall be paid at not less than the appropriate adult minimum rates :—

- (i) Angle-iron cropping where the material weighs more than 3½ lb. per foot and is not clamped.
- (ii) Assisting steel furnace ladleman other than in daubing or repairing ladles.
- (iii) Assisting storeman racking and/or loading and/or unloading off vehicles of heavy steel plates, bars or sections.
- (iv) Breaking up pig iron.
- (v) Carrying material to or from cupola forge or electric steel furnace or using the slicer or hanging on to end of a bloom. This shall not apply in the case of junior moulders.
- (vi) Cutting out and punching rivets on plates.
- (vii) Cutting plates by means of hammer and cold set.
- (viii) Holding up rivets over ¼ in. diameter.
- (ix) Passing hot rivets in confined spaces.
- (x) Plate edge planers in structural steel or shipbuilding yards where the operator travels on the machine.
- (xi) Punching machines handling plates weighing more than 84 lb.
- (xii) Shearing machines other than guillotine plate shearers, handling plates weighing more than 84 lb

(d) Junior employees shall not be employed :—

- (i) if under the age of 16 years—
on oil or gas burners or fires used for heating of small articles ; or
using electric arc or oxy-acetylene blow-pipe, or
- (ii) if under 18 years of age—
as furnaceman or assistant to furnaceman ; or
as a roller, extrusion press operator, pipe trap machine operator, roller's assistant or as a melter.

Clauses, other than clauses 2 and 3, of the said Determination shall remain in force.





VICTORIA GOVERNMENT GAZETTE.

Published by Authority.

[Registered at the General Post Office, Melbourne, for transmission by post as a newspaper.]

No. 711]

TUESDAY, AUGUST 23.

[1949

Factories and Shops Acts.

DETERMINATION OF A WAGES BOARD ADJUSTED PURSUANT TO SECTION 21 OF THE FACTORIES AND SHOPS ACT 1934 (No. 4275).

I, Raymond Henry Beers, Secretary for Labour, in pursuance of the powers conferred by the Factories and Shops Acts, hereby make and issue the following adjusted Determination of the Wages Board referred to hereunder showing adjusted rates and prices to operate from the beginning of the first pay period to commence in August, 1949.

Dated at Melbourne, this
19th day of August, 1949.

RAY. H. BEERS,
Secretary for Labour.

FACTORY ENGINE DRIVERS BOARD.

Clauses 2, 3, and 4 of the Determination published in *Government Gazette* No. 683 of the 5th July, 1948, shall be replaced by the following clauses:—

2.

	Wages per Week.			
	Persons other than those Employed in Bush Saw-mills.			Persons Employed in— (a) Bush Saw-mills; (b) All parts of Victoria not elsewhere included.
	Within 20 miles of G.P.O., Melbourne; 10 miles of Chief P.O., Geelong; at Warrumbool, and in the Gippsland District.	Within 15 miles of the Mildura Post Office.	At Yallourn.	
	£ s. d.	£ s. d.	£ s. d.	£ s. d.
A.—STATIONARY ENGINE DRIVERS.				
<i>Steam Engines.</i>				
First-class	8 5 0	8 11 0	8 11 6	8 2 0
First-class, with condenser	8 11 6	8 17 6	8 18 0	8 8 6
Second-class	8 0 0	8 6 0	8 6 6	7 17 0
Second-class, with condenser	8 5 0	8 11 0	8 11 6	8 2 0
<i>Suction Gas or Other Internal Combustion Engine.</i>				
Fifty brake horse-power or over	8 5 0	8 11 0	8 11 6	8 2 0
Under fifty brake horse-power	8 0 0	8 6 0	8 6 6	7 17 0
<i>Electric Motor Attendants.</i>				
On motors over 250-horse power	8 5 0	8 11 0	8 11 6	8 2 0
On motors 100-horse power to 250-horse power inclusive	7 17 0	8 3 0	8 3 6	7 14 0
On motors under 100-horse power	7 11 0	7 17 0	7 17 6	7 8 0
Where the employee attends two or more motors he shall be paid a rate calculated on the aggregate horse power of such motors.				
<i>Note.</i> —Horse power shall be that shown on the maker's name plate.				

	Wages per Week.			
	Persons other than those Employed in Bush Saw-mills.			Persons Employed in— (a) Bush Saw-mills; (b) All parts of Victoria not elsewhere included.
	Within 20 miles of G.P.O., Melbourne; 10 miles of Chief P.O., Geelong; at Warrnambool, and in the Gippsland District.	Within 15 miles of the Mildura Post Office.	At Yallourn.	
£ s. d.	£ s. d.	£ s. d.	£ s. d.	
B.—LOCOMOTIVE ENGINE DRIVERS.				
If human beings other than train crew are sometimes or always carried ..	9 4 0	9 10 0	9 10 6	9 1 0
Others	8 14 6	9 0 6	9 1 0	8 11 6
If the gauge is less than three feet, 4s. 6d. per week less in each case.				
C.—NAVVIERS AND DRAG LINE OR DREDGE TYPE EXCAVATORS.				
Driver	9 10 6	9 16 6	9 17 0	9 7 6
Second driver	8 10 6	8 16 6	8 17 0	8 7 6
D.—WINCH DRIVERS.				
Log haulers on timber mills or on tramways on timber mill (exceeding 8-inch diameter cylinders)	8 5 0	8 11 0	8 11 6	8 2 0
Others	8 1 0	8 7 0	8 7 6	7 18 0
E.—CRANE DRIVERS.				
Lofty cranes—first-class	9 0 0	9 6 0	9 6 6	8 17 0
Lofty cranes—second-class	8 16 6	9 2 6	9 3 0	8 13 6
Lofty cranes—third-class	8 10 6	8 16 6	8 17 0	8 7 6
Cantilever cranes	8 16 6	9 2 6	9 3 0	8 13 6
Cranes transporting molten metal in foundries	8 9 0	8 15 0	8 15 6	8 6 0
Open hearth furnace crane	8 9 0	8 15 0	8 15 6	8 6 0
Steam travelling cranes	8 9 0	8 15 0	8 15 6	8 6 0
Other steam cranes	8 4 6	8 10 6	8 11 0	8 1 6
Grab cranes	8 9 0	8 15 0	8 15 6	8 6 0
Electric cranes not elsewhere included—				
Four motions and over	8 0 6	8 6 6	8 7 0	7 17 6
Overhead traverser with auxiliary hoist				
Traverser with jib hoist				
Two or three motions				
Overhead traverser				
Stationary jib; stationary jib hoist	7 17 0	8 3 0	8 3 6	7 14 0
Traverser jib				
Hydraulic stationary jib cranes	8 1 0	8 7 0	8 7 6	7 18 0
Mobile cranes lifting capacity up to and including 3 tons	8 6 0	8 12 0	8 12 6	8 3 0
Over 3 tons and up to 5 tons				
Over 5 tons, for each ton of lifting capacity over 5 an extra 2s. 6d. per week up to 10 tons	8 1 0	8 7 0	8 7 6	7 18 0
Fork lift driver	7 13 0	7 19 0	7 19 6	7 10 0
Cranes and hoists not elsewhere included ..	7 5 0	7 11 0	7 11 6	7 2 0
String cranes—five tons or less				
F.—TRACTION ENGINE DRIVERS.				
<i>Road.</i>				
Traction engine or road roller (steam) ..	8 8 0	8 14 0	8 14 6	8 5 0
Road roller (oil)	8 6 0	8 12 0	8 12 6	8 3 0
Traction engine (oil—50-brake h.p. or over)	8 8 0	8 14 0	8 14 6	8 5 0
Traction engine (oil—under 50-brake h.p.)	8 3 0	8 9 0	8 9 6	8 0 0
When used as stationary engines, Division A of this clause shall apply.				
<i>Rail.</i>				
Electric traction motor	7 18 0	8 4 0	8 4 6	7 15 0
Internal combustion traction motor	7 18 0	8 4 0	8 4 6	7 15 0
<i>Tow Motors.</i>				
Tow motor	7 12 0	7 18 0	7 18 6	7 9 0
G.—TRACTOR UNIT PLANT.				
<i>The provisions of this Division shall not apply to logging operations.</i>				
Tournapull	9 10 6	9 16 6	9 17 0	9 7 6
Tractors without power operated attachments or with power operated attachments not in use				
(a) 50-brake horse power and under	8 3 0	8 9 0	8 9 6	8 0 0
(b) over 50-brake horse power	8 8 0	8 14 0	8 14 6	8 5 0
Tractors while using power operated attachments—				
(a) 35-brake horse power and under	8 8 0	8 14 0	8 14 6	8 5 0
(b) over 35-brake horse power to 70-brake horse power	8 18 0	9 4 0	9 4 6	8 15 0
(c) over 70-brake horse power	9 4 0	9 10 0	9 10 6	9 1 0

	Wages per Week.			
	Persons other than those Employed in Bush Saw-mills.			Persons Employed in— (a) Bush Saw-mills; (b) All parts of Victoria not elsewhere included.
	Within 20 miles of G.P.O., Melbourne; 10 miles of Chief P.O., Geelong; at Warrnambool, and in the Gippsland District.	Within 15 miles of the Mildura Post Office.	At Yallourn.	
£ s. d.	£ s. d.	£ s. d.	£ s. d.	
Provided that the total margin payable to the operator of a tractor using a power operated attachment not normally operated while such tractor is in motion shall not exceed 50s.				
<i>Special Work</i> —A driver operating a tractor of 70-brake horse power or over fitted with a blade and using such blade while engaged in breaking trail in heavy sidling country for any part of a day shall be paid an additional allowance of three half pence per hour for all work performed on that day.				
Loader, Front end and Overhead— Appropriate wage for Tractor hereinafter prescribed.				
Loader, mechanical bucket type, truck or tractor mounted	8 8 0	8 14 0	8 14 6	8 5 0
Grader, single unit over 40-brake horse power	9 4 0	9 10 0	9 10 6	9 1 0
Grader, single unit 40-brake horse power and under	8 14 0	9 0 0	9 0 6	8 11 0
Concrete paver, single drum	8 3 0	8 9 0	8 9 6	8 0 0
H.—FIREMEN.				
Fireman	7 15 0	8 1 0	8 1 6	7 12 0
Fireman—first-class	8 0 0	8 6 0	8 6 6	7 17 0
Leading fireman—first class	8 7 0	8 13 0	8 13 6	8 4 0
Leading fireman—second-class	8 4 0	8 10 0	8 10 6	8 1 0
Locomotive fireman	7 18 0	8 4 0	8 4 6	7 15 0
I.—GREASERS.				
Greaser or oiler	7 11 0	7 17 0	7 17 6	7 8 0
Greaser or oiler—first-class	8 0 0	8 6 0	8 6 6	7 17 9
Trimmer	7 7 0	7 13 0	7 13 6	7 4 0
Fuelman	7 7 0	7 13 0	7 13 6	7 4 0
Engine cleaner	7 7 0	7 13 0	7 13 6	7 4 0
Boiler cleaner	7 7 0	7 13 0	7 13 6	7 4 0
Provided that any person engaged inside the gas or water space of any boiler, flue or economizer, in cleaning or scraping work shall, whilst so employed, be paid 9d. per hour in addition to his ordinary or overtime rate of pay.				
J.—OTHERS.				
Pile-driving machine	8 7 0	8 13 0	8 13 6	8 4 0
All others	6 8 0	6 14 0	6 14 6	6 5 0

Male adult employees in bush sawmills shall, in addition to the wages shown above, be paid 2s. 6d. per week in lieu of payment under clause 14 for absences arising from sickness or accident.

3.

Additional Rates.

	Per Week.
	s. d.
(a) An engine-driver or fireman engaged as hereinafter specified shall be paid additional rates as follow, viz:—	
Attending to refrigerating compressor	9 0
Attending to electric generator or dynamo exceeding 10 kilowatt capacity	9 0
In charge of plant	9 0

Provided that except as to dragline excavators these rates shall not be cumulative to the extent of increasing the wage of an employee more than 61s. above the rate for "All Others," and provided further that an engine-driver attending a refrigerating compressor shall be paid a rate not less than 41s. above that fixed for "All Others".

Extra rates payable under this sub-clause shall be regarded as part of an employee's ordinary wage for the purposes of this Determination.

(b) Any engine-driver and/or fireman in a bush sawmill who is required to do saw sharpening shall be paid a further additional rate, viz:—	s. d. 15 0
--	---------------

JUNIOR LABOUR.

4. (a) The minimum rates of wage to be paid to juniors working as greasers or oilers, other than on shafting, or as cleaners or as motor drivers or attendants where the motor does not exceed 50 horse-power in all shall be the under-mentioned percentages of the contemporaneous needs basic wage prescribed for the area in which they are employed, and in addition thereto the constant loading specified.

	Percentage of Needs Basic Wage.	Constant Loading.	Total Wage Payable—			
			Persons other than those Employed in Bush Saw-mills.			Persons Employed in— (a) Bush Saw-mills; (b) All parts of Victoria not elsewhere included.
			Within 20 miles of G.P.O., Melbourne; 10 miles of Chief P.O., Geelong; at Warrnambool, and in the Gippsland District.	Within 15 miles of the Mildura Post Office.	At Yallourn.	
Per Week.	Per Week. s. d.	£ s. d.	£ s. d.	£ s. d.	£ s. d.	
If under 16 years of age ..	25	0 6	1 11 0	1 11 0	1 12 6	1 10 0
If 16 years of age ..	33	0 9	2 1 0	2 1 0	2 3 0	2 0 0
If 17 years of age ..	60	1 0	3 14 0	3 14 0	3 18 0	3 12 6
If 18 years of age ..	75	2 0	4 13 6	4 13 6	4 18 6	4 11 0
If 19, but under 20 years of age ..	90	2 6	5 12 6	5 12 6	5 18 0	5 9 6

(b) If a cleaner, greaser or oiler sometimes under the supervision of an engine-driver, stops or starts an engine, he shall be paid 6s. per week extra.

(c) The total wage shall be calculated to the nearest sixpence, any broken part of sixpence in the result not exceeding threepence to be disregarded.

Clauses, other than clauses 2, 3, and 4, of the said Determination shall remain in force.



VICTORIA
GOVERNMENT GAZETTE.

Published by Authority.

[Registered at the General Post Office, Melbourne, for transmission by post as a newspaper.]

No. 712]

TUESDAY, AUGUST 23.

[1949

Factories and Shops Acts.

**DETERMINATION OF A WAGES BOARD ADJUSTED PURSUANT TO SECTION 21 OF THE
FACTORIES AND SHOPS ACT 1934 (No. 4275).**

I, Raymond Henry Beers, Secretary for Labour, in pursuance of the powers conferred by the Factories and Shops Acts, hereby make and issue the following adjusted Determination of the Wages Board referred to hereunder showing adjusted rates and prices to operate from the beginning of the first pay period to commence in August, 1949.

Dated at Melbourne, this
19th day of August, 1949.

RAY. H. BEERS,
Secretary for Labour.

GLASSWORKERS BOARD.

Clauses 2 and 3 of the Flint Glass Section and clause 2 of the Glass Bottle Section of the Determination published in Government Gazette No. 65 of the 1st February, 1949, shall be replaced by the following clauses:—

2. FLINT GLASS SECTION.

Apprentices.	Wages per Week.	Improvers.		
		Improvers other than Flint Improver Blowers.	Wages per Week.	Flint Improver Blower. Wages per Day of 8 Hours.
	<i>s. d.</i>		<i>s. d.</i>	<i>s. d.</i>
1st year's experience ..	67 0	1st year's experience ..	61 0	28 3
2nd " " ..	75 6	2nd " " ..	81 0	
3rd " " ..	86 9	3rd " " ..	93 9	
4th " " ..	96 3	4th year's experience and until	110 0	
5th " " ..	104 3	reaching the age of 21 years		
and thereafter the minimum adult wage or piecework price				

Proportion (in any Place).

One apprentice and one improver, or two apprentices or two improvers to every three or fraction of three persons receiving not less than the minimum adult rate.

JUVENILE WORKERS (as defined in Clause 21).

Maies.	Wages per Week.	Females.	Wages per Week.
	<i>s. d.</i>		<i>s. d.</i>
Under 16 years of age	36 6	Under 15 years of age	32 9
16 years, but under 17 years of age	41 0	15 years, but under 16 years of age	34 6
17 " " " 18 " " "	52 9	16 " " " 17 " " "	45 3
18 " " " 19 " " "	73 0	17 " " " 18 " " "	49 9
19 " " " 20 " " "	85 6	18 " " " 19 " " "	53 9
20 " " " 21 " " "	97 6	19 " " " 20 " " "	62 6
		20 " " " 21 " " "	71 9

and thereafter the minimum adult wage or piecework price.

Juveniles employed as "carriers-in" or "mould boys" shall be paid a margin of 5s. per week in addition to their ordinary rate.

and thereafter the minimum wage payable to adult females.

NOTE.—In accordance with the provisions of section 40 of the Factories and Shops Acts, no female under the age of 18 years shall be employed in a part of a factory in which the process of melting or annealing glass is carried on.

3.

WAGES FOR ADULTS (OTHER THAN GLASSWORKERS).

	Per Week.
	<i>£ s. d.</i>
Furnacemen	7 15 6
Lehr attendants	7 6 0
Stickers-up to melter press shop (3 stickers-up)	7 14 6
When only two stickers-up are working in a shop they shall be paid an additional 5s. per shift	
Operators on dip and blow and Y machines	7 6 0
Crackers-off on Dip and Blow and Y machines	7 6 0
Melters on side Lever press glazers and battery jar press	7 8 6
Ball blowers 1st year	7 6 0
Ball blowers 2nd year	7 13 6
Ball blowers 3rd year	8 1 0
Taker-out on side lever press	7 8 6
Assistants to journeymen	7 1 0
<i>Auxiliary to Glass Manufacture.</i>	
Batch mixers	7 13 0
Batch mixers' Assistants	7 7 0
Handlers of raw materials (as defined)	7 6 0
Packers performing any part of the operation of packing ware in straw and headed-up packages	7 17 0
Packers doing other packing (as defined)	7 5 0
Packers doing nested cartons (as defined)	7 5 0
Packers doing partitioned cartons (as defined)	7 10 0
Headers-up packed case	7 5 0
Warehouse Assemblers	7 5 0
Warehousemen	7 6 6
Loaders in delivery section	7 14 0
Stackers in delivery section	7 13 0
Sorters	7 12 0
Mould paster	7 10 0
<i>Glass Finishing and Decorating Section.</i>	
Grinders and polishers on flat and upright wheels	7 5 0
Cutters-off	7 5 0
Operators on glazing machines	7 5 0
Operators on searing-off machines	7 7 0
Operators on sandblast booth	7 16 0
Acid dippers	7 9 0
Glistler colour handlers	7 9 0
Sprayer	7 14 0
Other adult labour except where hereafter specified	7 1 0

Adult Glassworkers.

When adult glass workers are employed on time rates, they shall, subject to the provisions hereunder mentioned receive the following minimum rates, namely:—

Journeymen.	Per Day.
	<i>s. d.</i>
Blowers—	
12" and under	37 9
Over 12" and up to 18"	40 8
Over 18"	45 8
Press workers—	
Press workers on general ware up to 2 lb.	35 6
Press workers on general ware 2 lb. to 5 lb.	36 6
Press workers on general ware over 5 lb.	37 6
Dip mould workers—	
Blowers	35 0
Gatherers	35 0

Allowance for Skilled Glassworkers.

In addition to the rates prescribed herein, skilled glassworkers shall receive the following:—

When employed on regular day shift, an additional 10 per cent. of such earnings.

When employed on alternating day and afternoon shift, an additional 5 per cent. of such earnings.

When employed on rotating day, afternoon and night shift, an additional 3½ per cent. of such earnings.

GLASS BOTTLE SECTION.

2. ADULTS (OTHER THAN SKILLED GLASSWORKERS).

										Wages per Week.		
										£ s. d.		
Furnacemen	6	13	0
Salt cake burners	6	13	0
Lehrmen	6	7	6
Batchmixers when the batchmixing is done with lime in pits beneath the surface of the ground	6	7	6
Salt cake burners' assistants	6	7	6
Packers packing in bags or straw	6	6	6
Sorters	6	6	6
Lister truck hands and assistants	6	5	6
All others	6	4	0

Clauses, other than clauses 2 and 3 of the Flint Glass Section and clause 2 of the Glass Bottle Section, of the said Determination shall remain in force.

.....



VICTORIA GOVERNMENT GAZETTE.

Published by Authority.

[Registered at the General Post Office, Melbourne, for transmission by post as a newspaper.]

No. 713]

TUESDAY, AUGUST 23.

[1949

Factories and Shops Acts.

DETERMINATION OF A WAGES BOARD ADJUSTED PURSUANT TO SECTION 21 OF THE FACTORIES AND SHOPS ACT 1934 (No. 4275).

I, Raymond Henry Beers, Secretary for Labour, in pursuance of the powers conferred by the Factories and Shops Acts, hereby make and issue the following adjusted Determination of the Wages Board referred to hereunder showing adjusted rates and prices to operate from the beginning of the first pay period to commence in August, 1949.

Dated at Melbourne, this
19th day of August, 1949.

RAY. H. BEERS,
Secretary for Labour.

IRONMOULDERS BOARD.

Clauses 2, 3 and 4 of the Determination published in *Government Gazette* No. 32 of the 11th January, 1949, shall be replaced by the following clauses:—

2.

Adults.	Per Week of 40 Hours.		
	Within 20 Miles of G.P.O., Melbourne; 10 Miles of G.P.O., Geelong; at Warrnambool and within Mildura and Gippsland Districts.	At Yallourn.	All other Parts of Victoria.
WAGES.	£ s. d.	£ s. d.	£ s. d.
<i>Pipe Moulders making Pipes (other than Steam and Hydraulic Pipes) on a Bank or Cast Vertically—</i>			
<i>Bank pipe moulder—</i>			
5 and 6 inch, headman	8 16 6	9 3 0	8 13 6
5 and 6 inch, footman	8 8 0	8 14 6	8 5 0
4 inch and under, headman	8 11 0	8 17 6	8 8 0
4 inch and under, footman	8 1 0	8 7 6	7 18 0
<i>Vertical pipe moulders—</i>			
Rammer, coremaker, corer, or caster	7 18 6	8 5 0	7 15 6
Dresser of pipes, including dresser on emery wheels	7 18 0	8 4 6	7 15 0

Adults.	Per Week of 40 Hours.		
	Within 20 Miles of G.P.O. Melbourne; 10 Miles of G.P.O., Geelong; at Warrnambool, and within Mildura and Gippsland Districts.	At Yallourn.	Other Parts of Victoria.
	£ s. d.	£ s. d.	£ s. d.
<i>Persons Employed in making Pipes by Machinery—</i>			
Coremakers—			
5 and 6 inch, faucet	8 12 0	8 18 6	8 9 0
5 and 6 inch, spigot	8 1 0	8 7 6	7 18 0
4 inch and under, faucet	8 5 0	8 11 6	8 2 0
4 inch and under, spigot	7 17 0	8 3 6	7 14 0
Finishers and casters—			
5 and 6 inch	8 12 0	8 18 6	8 9 0
4 inch and under	8 5 0	8 11 6	8 2 0
<i>Metal Moulding.</i>			
Jobbing moulder and/or coremaker	9 0 0	9 6 6	8 17 0
Plate and machine moulder and/or coremaker—			
1st six months' experience	7 16 0	8 2 6	7 13 0
2nd six months' experience	7 19 0	8 5 6	7 16 0
3rd six months' experience	8 2 0	8 8 6	7 19 0
Thereafter	8 7 0	8 13 6	8 4 0
Dresser and grinder (when using portable machine)	8 0 0	8 6 6	7 17 0
Dresser and grinder (other)	7 18 0	8 4 6	7 15 0
Furnaceman—cupola	8 5 0	8 11 6	8 2 0
Furnaceman—electric	8 4 0	8 10 6	8 1 0
Furnaceman—other	8 2 0	8 8 6	7 19 0
Assistant furnaceman	7 16 0	8 2 6	7 13 0
Loader and unloader of annealing furnace	7 16 0	8 2 6	7 13 0
Dresser, shot blast and sand blast—			
(a) who operates from outside a properly enclosed cabin	7 16 0	8 2 6	7 13 0
(b) other	8 6 0	8 12 6	8 3 0
*Employee directly assisting an employee whose margin above the basic wage is 25s. or more	7 16 0	8 2 6	7 13 0

(Experience for the purpose of calculating the rates payable to plate and machine moulders and/or coremakers shall include all experience as a moulder or coremaker, jobbing or machine, as the case may be, whether as a junior or an adult.)

*Upon its true construction this classification applies to employees in foundries employed:—

- (i) mixing of facing or core sand in sand mills or mixing machines and all riddling of sand except as provided under the heading of "Moulders' Assistants";
- (ii) wheeling sand to moulders or core shop;
- (iii) conveying metal either by hand runway or wheel bogie to moulders;
- (iv) removing castings, runners, risers, scrap or pig;
- (v) knocking out boxes and castings;
- (vi) knocking off runners;
- (vii) returning sand to moulders; and
- (viii) cleaning up.

Leading Hands.

Leading hands in charge of not less than three and not more than ten employees, 9s. per week extra; more than ten and not more than twenty employees, 18s. per week extra; more than twenty employees, 27s. per week, extra.

3.

APPRENTICESHIP

(other than those covered by the Apprenticeship Commission).

Apprenticeship Trades.

(a) An employer shall not employ minors in the following trade or occupation otherwise than under a contract of apprenticeship as hereunder provided:—Moulder and/or coremaker—Jobbing.

Period of Apprenticeship.

(b) If the apprentice when indentured is under the age of seventeen years—five years; if over the age of seventeen years—four or five years, at the option of the contracting parties.

Contract of Apprenticeship.

(c) Every contract of apprenticeship hereinafter made shall contain—

- (i) the names of the parties;
- (ii) the date of birth of the apprentice;
- (iii) statement of the trade or trades to which the apprentice is to be bound and which he is to be taught during the course and for the purpose of the apprenticeship.
- (iv) a covenant by the master to teach and instruct or cause the apprentice to be taught or instructed in the trade to which the apprentice is bound;
- (v) the date at which the apprenticeship is to commence or from which it is to be calculated;
- (vi) all other conditions of apprenticeship.

Cancellation or Suspension of Indenture.

(d) Subject to the approval of the Wages Board, but not otherwise, an indenture of apprenticeship may be suspended or cancelled—

- (i) by mutual consent;
- (ii) if, through lack of orders or financial difficulties, an employer is unable to find suitable employment for an apprentice and a transfer to another employer cannot be arranged;
- (iii) if, in the opinion of the Wages Board, circumstances exist which render such suspension or cancellation necessary or desirable.

Any covenant in an indenture inconsistent with the provisions of this clause shall be null and void and of no force or effect while this Determination remains in force and applies to the parties to the indenture.

Proportion.

(e) The proportion of apprentices who may be taken by an employer shall, except as hereinafter prescribed, be one apprentice to every three, or fraction of three, tradesmen in the trade concerned.

The exceptions are: Jobbing moulder and/or coremaker—one apprentice for every two, or fraction of two, tradesmen in the trade concerned.

For the purpose of ascertaining the number of apprentices, the number of tradesmen shall be deemed to be the average number working during the immediately preceding six months, and, in ascertaining such proportion, an employer actually working in any workshop shall be deemed to be a tradesman.

A person who is for a term not exceeding two years taking practical training in a workshop in continuance of a course of training for professional work shall not be taken into account in calculating the proportion of apprentices to journeymen.

Adult Apprentices.

(f) Any apprentice who cannot complete his full term of apprenticeship before reaching his twenty-second birthday may, by agreement with his master, serve as an apprentice until he reaches the age of 23 years.

Probationary Period.

(g) Minors may be taken on probation for three months and, if apprenticed, such three months shall count as part of their period of apprenticeship. An employer shall, within fourteen days of employing a probationer, notify the appropriate apprenticeship authorities of the employment of such probationer to any of the trades mentioned herein.

Wages.

(h) The minimum weekly rates of wage for apprentices shall be the under-mentioned percentages of the contemporaneous needs basic wage prescribed for the area in which they are employed, and in addition thereto the constant and war loadings specified and in all contracts of apprenticeship hereafter made the employer shall covenant to pay wages of not less than such rates.

WAGES PER WEEK OF 40 HOURS.

	Percentage of Needs Basic Wage.	Constant Loading.	War Loading.	Total Wage Payable—		
				Within 20 Miles of G.P.O., Melbourne; 10 Miles of G.P.O., Geelong; at Warrnambool, and within Mildura and Gippeland Districts.	At Yallourn.	All Other Parts of Victoria.
<i>Four and Five-year Terms.</i>						
	Per Week.	Per Week.	Per Week.	£ s. d.	£ s. d.	£ s. d.
1st year	25	..	0 9	1 11 0	1 13 0	1 10 6
2nd year	33	1 0	1 0	2 2 6	2 4 6	2 1 6
3rd year	50	1 6	1 6	3 4 0	3 7 0	3 2 6
4th year	83	2 0	2 3	5 5 6	5 11 0	5 3 0
5th year	100 plus 6s.	2 0	3 0	6 13 0	6 19 6	6 10 0
<i>Four-year Terms—Apprentices commencing after the Age of 17 Years.</i>						
1st year	29	..	0 9	1 16 0	1 18 0	1 15 6
2nd year	50	1 0	1 6	3 3 6	3 6 6	3 2 0
3rd year	83	2 0	2 3	5 5 6	5 11 0	5 3 0
4th year	100 plus 6s.	2 0	3 0	6 13 0	6 19 6	6 10 0

An employee who is under 21 years of age on the expiration of his apprenticeship, and thereafter works as a minor in the occupation to which he has been apprenticed, shall be paid at not less than the adult rate prescribed for that classification.

Hours.

(i) The ordinary hours of employment of apprentices shall not in each workshop exceed those of the journeymen.

Overtime and Shift Work.

(j) No apprentice under the age of 18 years shall be required to work overtime or shift work unless he so desires.

No apprentice shall except in an emergency work or be required to work overtime or shift work at times which would prevent his attendance at technical school as required by any statute, determination or regulation applicable to him.

Payment by Results.

(k) An apprentice shall not work under any system of payment by results.

Lost Time.

(l) The apprentice at the end of the calendar period of any year in which he has actually given service to the master upon less than the ordinary working days prescribed in this Determination, or on which he has unlawfully absented himself without the master's consent, shall, for every day short of the said number of working days, and for every day of such absence, serve one day, and the calendar period of the succeeding year of his service shall not be deemed to begin until the said additional day or days shall have been served: Provided that in calculating the extra time to be so served the apprentice shall be credited with time which he has worked during the relevant year in excess of his ordinary hours.

Prohibition of Premiums.

(m) An employer shall not, either directly or indirectly, or by any pretence or device, receive from any person or require or permit any person to pay or give any consideration in the nature of a premium or bonus for the taking or binding of any probationer or apprentice.

Attendance at Technical Schools.

(n) Apprentices attending technical colleges or schools and presenting reports of satisfactory conduct shall be reimbursed all fees paid by them.

Annual and Sick Leave.

(o) Apprentices shall be entitled to sick and annual leave in accordance with the provisions of clauses 15 and 16 hereof respectively.

FEMALES AND UNAPPRENTICED MALE JUNIORS.

4. (a) Subject to the exceptions hereinafter provided, the minimum rates of wages for adult and junior females and for unapprenticed male juniors employed in occupations for which apprenticeship is not provided by this Determination shall be the under-mentioned :—

WAGES PER WEEK OF 40 HOURS.

	Percentage of Needs Basic Wage.	Constant Loading.	War Loading.	Additional Amount.	Total Wage Payable—		
					Within 20 Miles of G.P.O., Melbourne; 10 Miles of G.P.O., Geelong; at Warrambool, and Gippsland Districts.	At Yallourn.	All Other Parts of Victoria.
		s. d.	s. d.	s. d.	£ s. d.	£ s. d.	£ s. d.
<i>I.—Adult Females.</i>							
Under three months' experience	65	3 0	..	6 0	4 8 6	4 12 6	4 6 6
All others	75	3 0	..	7 0	5 1 6	5 6 6	4 19 0
<i>II.—Junior Females.</i>							
17 years of age and under ..	40	1 0	..	3 6	2 13 6	2 16 0	2 12 0
18 years of age	47½	1 3	..	4 0	3 3 0	3 6 6	3 2 0
19 years of age	55	1 6	..	4 6	3 13 0	3 16 6	3 11 6
20 years of age	62½	2 0	..	5 0	4 3 0	4 7 6	4 1 6
<i>III.—Junior Males.</i>							
Under 16 years of age ..	25	0 6	1 0	2 0	1 14 0	1 15 6	1 13 0
16 years of age	33	0 9	1 9	2 6	2 5 6	2 7 6	2 4 6
17 years of age	60	1 0	3 0	5 0	4 2 0	4 6 0	4 0 6
18 years of age	75	2 0	4 0	6 0	5 3 6	5 8 6	5 1 0
19 years of age and over ..	90	2 6	4 6	7 0	6 4 0	6 9 6	6 1 0

Provided that the rate payable to any employee shall not, excluding the constant loading, be less than 20s.

The total wage shall be calculated to the nearest sixpence, any broken part of sixpence in the result not exceeding threepence to be disregarded.

A junior employee of eighteen years or more shall be paid 3s. per week in addition to the rates prescribed herein while he is employed as a furnaceman or assistant to a furnaceman.

(b) Except in the case of employees in foundries, the minimum rate payable to a junior female of any age or a junior male of eighteen years or more each with less than six months' experience under this Determination shall, until he or she has had six months' experience, be 10 per cent. less than the amount represented by the percentage of the needs basic wage hereby prescribed for a junior employee of his or her age and in addition thereto the constant loading specified for such an employee :

Provided that this sub-clause shall not operate to reduce the rates paid to any female employee as from the beginning of the first pay period to commence in August, 1942.

(c) Junior employees employed on the following machines or operations shall be paid at not less than the appropriate adult minimum rates :—

- (i) Assisting steel furnace ladleman, other than in daubing or repairing ladles.
- (ii) Breaking up pig iron.

(d) Junior employees shall not be employed—
if under 18 years as furnacemen or assistants to furnacemen.

Clauses, other than clauses 2, 3, and 4, of the said Determination shall remain in force.



VICTORIA GOVERNMENT GAZETTE.

Published by Authority.

[Registered at the General Post Office, Melbourne, for transmission by post as a newspaper.]

No. 714]

TUESDAY, AUGUST 23.

[1949

Factories and Shops Acts.

DETERMINATION OF A WAGES BOARD ADJUSTED PURSUANT TO SECTION 21 OF THE FACTORIES AND SHOPS ACT 1934 (No. 4275).

I, Raymond Henry Beers, Secretary for Labour, in pursuance of the powers conferred by the Factories and Shops Acts, hereby make and issue the following adjusted Determination of the Wages Board referred to hereunder showing adjusted rates and prices to operate from the beginning of the first pay period to commence in August, 1949.

Dated at Melbourne, this
19th day of August, 1949.

RAY. H. BEERS,
Secretary for Labour.

SHOPS BOARD No. 10 (FISH AND POULTRY).

Clauses 1 and 18 of Part 1 and clauses 1, 2, and 23 of Part 2 of the Determination published in *Government Gazette* No. 317 of the 26th April, 1949, shall be replaced by the following clauses:—

PART ONE.

This Part applies to Persons employed in connexion with the Preparation of Rabbits for the Wholesale or Export Trade.

	Males.			Females.		
	Ordinary Wage.	War Loading.	Total Wage.	Ordinary Wage.	War Loading.	Total Wage.
	<i>s. d.</i>	<i>s. d.</i>	<i>s. d.</i>	<i>s. d.</i>	<i>s. d.</i>	<i>s. d.</i>
Under 16 years of age	47 6	0 9	48 3	46 0	0 9	46 9
16 years of age	64 0	1 0	65 0	48 6	0 9	49 3
17 years of age	76 6	1 3	77 9	54 0	0 9	54 9
18 years of age	99 6	1 6	101 0	59 6	1 0	60 6
19 years of age	133 0	2 0	135 0	73 0	1 3	74 3
20 years of age	139 6	2 3	141 9	83 0	1 3	84 3

PROPORTION.

MALES.

Apprentices.

One male apprentice to every three or fraction of three male workers receiving not less than 174s. per week of 40 hours.

Improvers.

One male improver to every four or fraction of four male workers receiving not less than 174s. per week of 40 hours.

FEMALES.

Apprentices.

One female apprentice to every three or fraction of three female workers receiving not less than 98s. per week of 40 hours.

Improvers.

One female improver to every four or fraction of four female workers receiving not less than 98s. per week of 40 hours.

OTHER EMPLOYEES.

	Ordinary Wage.	War Loading.	Total Wage.
	<i>s. d.</i>	<i>s. d.</i>	<i>s. d.</i>
Rabbit skimmers or boners	176 6	3 0	179 6
Grader who grades for the export trade	182 0	3 0	185 0
Females employed filling cartons with boned meat	96 6	1 6	98 0
All others	171 0	3 0	174 0

PIECE-WORK PRICES.

18. The lowest piece-work prices payable to any person engaged in the following kinds of work shall be—

	Within the hours fixed in clause 2.	Outside the hours fixed in clause 2.
Skinning rabbits (heads off)	2s. 6d. per 100	3s. 9d. per 100
Skinning rabbits (heads on)	3s. 3d. per 100	4s. 7½d. per 100
Boning rabbits or hares (including washing, weighing, and taking in and out of chamber)	1d. per lb.	
Skinning hares	9s. 3d. per 100	
	} plus 69 per cent.	} plus 69 per cent.
	} plus 81 per cent.	

PART TWO.

This Part applies to Persons doing any Work other than Work in connexion with the Preparation of Rabbits for the Wholesale or Export Trade.

1. APPRENTICES OR IMPROVERS.

Wages per Week.

	Males.			Females.		
	Ordinary Wage.	War Loading.	Total Wage.	Ordinary Wage.	War Loading.	Total Wage.
	<i>s. d.</i>	<i>s. d.</i>	<i>s. d.</i>	<i>s. d.</i>	<i>s. d.</i>	<i>s. d.</i>
Under 16 years of age	44 6	0 9	45 3	35 6	0 9	36 3
16 years of age	57 6	1 0	58 6	44 6	0 9	45 3
17 years of age	76 0	1 3	77 3	53 0	1 0	54 0
18 years of age	94 6	1 9	96 3	68 6	1 3	69 9
19 years of age	107 6	2 0	109 6	74 0	1 3	75 3
20 years of age	129 6	2 3	131 9	81 6	1 6	83 0

PROPORTION.

MALES.

Apprentices.

One apprentice to every three or fraction of three workers receiving not less than 162s. 6d. per week of 40 hours.

Improvers.

One improver to every four or fraction of four workers receiving not less than 162s. 6d. per week of 40 hours.

FEMALES.

Apprentices.

One apprentice to every three or fraction of three female workers receiving not less than 122s. 9d. per week of 40 hours.

Improvers.

One improver to every three or fraction of three female workers receiving not less than 122s. 9d. per week of 40 hours.

OTHER EMPLOYEES.

Wages per Week.

	Ordinary Wage.	War Loading.	Total Wage.
	<i>s. d.</i>	<i>s. d.</i>	<i>s. d.</i>
Manager (i.e., the principal employee in any shop except a shop in which an owner or partner is working manager)	188 6	3 0	191 6
Manageress (i.e., the principal employee in any shop where females only are employed except a shop in which an owner or partner is working manager)	142 6	2 0	144 6
Foreman having the supervision of four or more workers	179 6	3 0	182 6
Shop hands (males) or salesmen	166 6	3 0	169 6
Block hands, pluckers (except wet chain pluckers), filleters, cleaners, or oyster openers	169 6	3 0	172 6
Wet chain pluckers	177 0	3 0	180 0
Labourers assisting—			
(a) Wholesale fish salesmen	174 6	3 0	177 6
(b) Wholesale poultry salesmen	164 6	3 0	167 6
Persons employed grading and/or placing plucked poultry in boxes	169 6	3 0	172 6
Females employed—			
(a) As shop hands	126 0	1 9	127 9
(b) At weighing, grading, washing, stamping, branding, or filling cartons, moulds, or boxes of poultry	128 6	1 9	130 3
(c) At weighing, grading, washing, stamping, branding, or filling cartons, moulds, or boxes of fish	121 0	1 9	122 9
All others	159 6	3 0	162 6

EMPLOYEES IN FREEZING CHAMBER.

2. Notwithstanding the rates provided in Clause 1, any employee who is required to work in a freezing chamber, the temperature of which does not exceed 40° F., for an aggregate of time exceeding one hour on any day, shall be paid for all work (whether inside or outside the chamber) done on such day at the rate prescribed for chamber hands by the Determination of the Frozen Goods Board.

PIECE-WORK PRICES.

23. The lowest piece-work prices payable to any person engaged in the following kinds of work shall be—
 (a) Between the hours of 6.30 a.m. and 1 p.m. on Saturday, and 6.30 a.m. and 8 p.m. on any other week day—

	s.	d.	
(i) Roughing fowls by hand	0	3½	per pair
Roughing fowls by machine	0	3	per pair
Stumping fowls the same day as they are roughed by hand	0	3½	per pair
Stumping fowls, which have been put away overnight, or for a longer period, after being roughed	0	4	per pair
Stumping fowls which have been roughed by a machine	0	4	per pair
Plucking fowls	0	7	per pair
Plucking ducks, where wings are not plucked right out	0	7½	per pair
Plucking ducks, where wings are required to be plucked right out	0	11½	per pair
Plucking Muscovy drakes (redheads)	1	3	per pair
Plucking turkey hens	0	8½	per pair
Plucking turkey cocks	1	1	per pair
Plucking geese	1	1	per pair
Plucking teal	0	4	per pair
Plucking black duck	0	5	per pair
Plucking blue wing	0	4	per pair
Plucking mountain duck	0	5	per pair
Plucking pigeons and small birds	0	3	per pair
Plucking quail	0	3	per pair
Plucking pheasants	0	7	per pair
Drawing and trussing fowls or ducks	0	3	per pair extra
Drawing and trussing geese	0	6	per pair extra
Drawing and trussing turkeys	0	9	per pair extra
(ii) *Blooding euta	0	9	per large box
*Splitting euta	1	0	per large box
*Scaling and cleaning salmon	1	6	per large box
*Scaling and cleaning bream, flathead, trout, and all other medium fish	2	6	per large box
*Cleaning garfish, flathead, mullet, and all other very small fish	3	0	per large box
*Cleaning whiting	0	3	per dozen
*Filleting whiting	0	6	per dozen
*Cleaning flounders	0	3	per dozen
Trimming shark	0	6	per box
Skimming and trimming shark	2	0	per box

Plus 94 per cent.

* Including washing.

(b) Outside the hours stated in sub-clause (a) hereof:—The rates provided in clause 23, sub-clause (a) with the addition of 50 per cent.

Clauses, other than clauses 1 and 18 of Part 1 and clauses 1, 2, and 23 of Part 2, of the said Determination shall remain in force.



VICTORIA GOVERNMENT GAZETTE.

Published by Authority.

[Registered at the General Post Office, Melbourne, for transmission by post as a newspaper.]

No. 715]

TUESDAY, AUGUST 23.

[1949

Factories and Shops Acts.

DETERMINATION OF A WAGES BOARD ADJUSTED PURSUANT TO SECTION 21 OF THE FACTORIES AND SHOPS ACT 1934 (No. 4275).

I, Raymond Henry Beers, Secretary for Labour, in pursuance of the powers conferred by the Factories and Shops Acts, hereby make and issue the following adjusted Determination of the Wages Board referred to hereunder showing adjusted rates and prices to operate from the beginning of the first pay period to commence in August, 1949.

Dated at Melbourne, this
19th day of August, 1949.

RAY. H. BEERS,
Secretary for Labour.

STOREMEN, PACKERS, AND SORTERS BOARD.

Clauses 2, 3, 4 (a), 4 (b), 4 (c), and 4 (d) of Part I, and clause 24 of Part III of the Determination published in *Government Gazette*, No. 514 of the 9th June, 1949, shall be replaced by the following clauses:—

PART I.

WAGE RATES.

ALL PLACES OTHER THAN OIL, GREASE, AND PETROLEUM PRODUCTS STORES.

2.

APPRENTICES AND IMPROVERS.

	Wages Per Week of 40 Hours.					Number (in any place).
	Males.		Females.			
	Bread-making Establishments.	Any Other Place.	Establishments in which are sorted Waste Pieces or Clippings of Cottons, Silks, Woollens, or Woolen and Cotton Pieces.	Egg Packing Establishments.	Any Other Place.	
	<i>s. d.</i>	<i>s. d.</i>	<i>s. d.</i>	<i>s. d.</i>	<i>s. d.</i>	
Under 16 years of age	103 9	33 6	39 9	36 6	33 6	<p>APPRENTICES.</p> <p>One apprentice to every three or fraction of three workers of the same sex receiving not less than the minimum wage.</p> <p>An indenture of apprenticeship prescribed by the Board was approved on 24th May, 1923.</p> <p>MALE IMPROVERS.</p> <p><i>Egg Packing Establishments.</i></p> <p>One male improver to every two or fraction of two male workers receiving not less than 155s. per week of 40 hours.</p> <p><i>Any Other Place.</i></p> <p>One male improver to every four or fraction of four male workers receiving not less than 155s. per week of 40 hours.</p> <p>FEMALE IMPROVERS.</p> <p><i>Laundries.</i></p> <p>One female improver to every three or fraction of three female workers receiving not less than 100s. 9d. per week of 40 hours.</p> <p><i>Establishments in which are sorted waste pieces or clippings of cottons, silks, woollens, or woollen and cotton pieces.</i></p> <p>Two female improvers to every three or fraction of three female workers receiving not less than 97s. 6d. per week of 40 hours.</p> <p><i>Egg Packing Establishments.</i></p> <p>One female improver to every three or fraction of three female workers receiving not less than 97s. 6d. per week of 40 hours.</p> <p><i>Any Other Place.</i></p> <p>One female improver to every four or fraction of four female workers receiving not less than 91s. 6d. per week of 40 hours.</p>
16 to 17 years of age		45 9	45 9	48 9	45 9	
17 to 18 years of age		61 0	51 9	55 0	51 9	
18 to 19 years of age		85 6	58 0	64 0	58 0	
19 to 20 years of age		132 3	70 3	70 3	67 0	
20 to 21 years of age	153 3	130 3	79 3	82 3		
					76 3	

Provided that any female improver employed packing or sorting laundry-work shall, after completing three years' experience, be paid the wage fixed for an adult

3. OIL GREASE, AND PETROLEUM PRODUCTS STORES ONLY.

JUNIOR RATES.

Wages Per Week of 40 Hours.

	s.	d.
Under 16 years of age	50	0
16 to 17 years of age	63	0
17 to 18 years of age	73	0
18 to 19 years of age	87	6
19 to 20 years of age	113	0
20 to 21 years of age	133	0

(a) Provided that any youth called upon to stack full cases more than three high, to stack barrels, or to lift any weight over 1 cwt. shall be classed as an adult and entitled to receive the adult rate of pay whilst so engaged.

(b) Provided further that no employee under 21 years of age shall be employed on the filling of rail or road tank waggons.

4. (a) OTHER EMPLOYEES.

MALES.

IN OIL, GREASE, AND PETROLEUM PRODUCTS STORES.

	Wages Per Week of 40 Hours.	
	s.	d.
(i) Storemen or Packers	154	0
Leading hands—as defined in clause 22 hereof—		
(I.)	159	0
(II.)	164	0
(III.)	164	0
(IV.)	174	0

(ii) Casual hands shall be paid at the rate per hour of 4s. 9d. adjustable under clause 54 hereof.

4. (b) IN (OR ON) ANY PLACE OTHER THAN—(i) OIL, GREASE, AND PETROLEUM PRODUCTS STORES, AND (ii) TOOL AND/OR MATERIAL STORES CONNECTED WITH METAL MANUFACTURERS' STORES, ELECTRICAL GOODS MANUFACTURERS' STORES, AND ENGINEERING ESTABLISHMENTS, OR WHERE EMPLOYEES ARE IN CHARGE OF, OR ISSUE STORES AND TOOLS FOR USE IN SUCH ESTABLISHMENTS.

Column No.	Males employed in (or on) or in connexion with—											
	Which, Wharf Sheds, Customs Wharf Sheds, or Fumigating Sheds.	Potato or Onion Stores.	Bond or Free Stores or Establishments engaged in the General Bulk Storage Business.	Lime, Cement, Plaster Stores, or Fibrous Plaster Stores.	Wholesale Softgoods Warehouse.	Book Factories, or Wholesale Chemists or Manufacturing Chemists Establishments.	Bread-making Establishments.	Bag (Hessian, Jute or Cotton) Stores, Tobacco, Paint, Painters Oil, Colour and Varnish Stores.	Machinery Stores.	Dye Stores other than Dye Stores connected with the business of dyeing or the manufacture of piece-goods or apparel.	Seed Stores.	Any Other Place.*
	40 Hours. s. d.	40 Hours. s. d.	40 Hours. s. d.	40 Hours. s. d.	40 Hours. s. d.	40 Hours. s. d.	40 Hours. s. d.	40 Hours. s. d.	40 Hours. s. d.	40 Hours. s. d.	40 Hours. s. d.	40 Hours. s. d.
	WAGES PER WEEK OF—											
Any person engaged as a Storeman, Packer, or Sorter who (notwithstanding he may be under the orders of a superior who does not devote the whole of his time to supervising the storing, packing, or sorting)—												
(a) Works singly	171 0	162 8	159 6	158 0	155 0	157 6	168 0	157 6	159 6	167 0	155 0	159 6
(b) Supervises or directs the number of persons 18 years of age or over indicated hereunder, viz. :—												
(a) 1, 2, 3, 4, 5, or 6 such persons	171 0	162 8	159 6	160 6	157 3	159 9	174 3	159 9	166 9	169 3	157 3	161 9
(b) 7 or more such persons	171 0	162 8	159 6	174 6	171 9	174 6	188 9	174 6	175 9	183 3	179 9	175 9
Operator of power driven fork lift or similar mobile power driven stacking machine or device	161 0	161 0	161 0	161 0	161 0	161 0	161 0	161 0	161 0	161 0	161 0	161 0
Storeman in charge of a bulk store removed from the main place of business					155 0	157 6		157 6	159 6	167 0	155 0	159 6
Packers of crockery, china, or glassware												158 3
Packers of metal window frames												155 0
Persons handling pianos, piano-players, or organs												155 0
All male adults not otherwise provided for	171 0	162 8	159 6	155 0	152 0	153 0	168 0	153 0	155 0	163 9	153 0	155 0

(ii) * A storeman and/or packer required to mix and/or blend dye stuffs for sale shall be paid 10s. in addition to the appropriate rate herein provided.

(iii) Any person called upon to handle paris green or aluminium bronze in loose form, or soda ash other than in metal containers shall be paid at the rate of 6d. per hour in addition to the weekly rate.

(iv) Storemen or packers called upon to work in cool stores shall be paid 4s. 10¹¹/₃₂d. per hour whilst so employed. This rate includes 1¹/₂d. as a war loading. Such war loading shall not be taken into account when computing overtime or holiday pay.

NOTE.—The rates set out in column No. 12 of 4 (b) (i) hereof apply to males employed—

(a) As storemen in Figured, Roll, and Sheet Glass Stores.

(b) In (or on) or in connexion with—

- (i) Bulk paper stores or rubber goods manufacturers' stores.
- (ii) Iron yards in which steel or iron bars, plates, pipes or sheets, black or galvanized, are handled.
- (iii) Hardware stores.
- (iv) Electrical goods stores (wholesale or retail establishments) other than electrical goods manufacturers' stores.
- (v) Match factory stores.
- (vi) Wholesale confectionery stores.
- (vii) Bulk salt stores, stores in which stoves are stocked (except stove or oven manufacturers' stores) and stores in which sausage casings are stored, packed or sorted.
- (viii) Stove or oven manufacturers' stores.
- (ix) Dye stores connected with the business of dyeing, or the manufacture of piece-goods or apparel.
- (x) Egg packing and processing establishments; and
- (xi) Any place not elsewhere included in clause 4 (b) or 4 (c).

4 (c) TOOL AND/OR MATERIAL STORES CONNECTED WITH METAL MANUFACTURERS' STORES, ELECTRICAL GOODS MANUFACTURERS' STORES, AND ENGINEERING ESTABLISHMENTS, OR WHERE EMPLOYEES ARE IN CHARGE OF, OR ISSUE STORES AND TOOLS FOR USE IN SUCH ESTABLISHMENTS.

MALES.

	Wages Per Week of 40 Hours.		
	Within 20 miles of G.P.O., Melbourne, 10 miles of G.P.O., Geelong, or at Warrnambool, and within Mildura and Gippsland Districts.	At Yallourn.	Other Parts of Victoria
	s. d.	s. d.	s. d.
Tool Storeman (i.e., an adult male employee in charge of receiving storing and issuing of tools and other requirements in a tool store)	151 0	157 6	148 0
Storeman and/or Packer	155 6	162 0	152 6

4. (d)

FEMALES.

	Females Employed in or in Connexion with—			
	Manufacturing Chemists' Factories.	Establishments in which are sorted Waste Pieces or Clippings of Cottons, Silks, Woollens, or Woolen and Cotton Pieces.	Egg Packing Establishments.	Any Other Place
	40 Hours. s. d.	Wages per 40 Hours. s. d.	Week of— 40 Hours. s. d.	40 Hours. s. d.
Any person engaged as a female Packer or Sorter who (notwithstanding she may be under the orders of a superior who does not devote the whole of his time to supervising the storing, packing, or sorting)—				
(a) Works singly	94 6	106 9	112 9	94 6
(b) Supervises or directs the number of persons 18 years of age or over, indicated hereunder, viz.:—				
(i) 1, 2, 3, 4, 5, or 6 such persons	100 9	112 9	119 0	100 9
(ii) 7 or more such persons	116 0	123 9	131 0	116 0
Females employed packing or sorting laundry work				100 9
Packers of crockery, china, or glassware				112 9
Egg Packers, Sorters, or Testers—				
With less than eight weeks' experience			97 6	
With eight weeks' or more experience			106 9	
All female adults not otherwise provided for	91 6	97 6	97 6	91 6

PART III.

PROVISIONS APPLICABLE ONLY TO PERSONS EMPLOYED IN BOND OR FREE STORES OR ESTABLISHMENTS ENGAGED IN THE GENERAL BULK STORAGE BUSINESS.

CASUAL WORK.

24. Casual employees, i.e., persons employed in Bond or Free Stores or Establishments engaged in the general bulk storage business for less than four weeks, shall be paid at the rate of 4s. 5¹/₂d. per hour, and such employees shall be guaranteed not less than two hours' work at every start.

Clauses, other than clauses 2, 3, 4 (a), 4 (b), 4 (c), and 4 (d) of Part I., and clause 24 of Part III., of the said Determination shall remain in force.

1. Introduction

2. Methodology

3. Results and Discussion

4.

5.

6.

7.

8.

9.

10.

11.

12.

13.

14.



VICTORIA GOVERNMENT GAZETTE.

Published by Authority.

[Registered at the General Post Office, Melbourne, for transmission by post as a newspaper.]

No. 716]

TUESDAY, AUGUST 23.

[1949

Factories and Shops Acts.

DETERMINATION OF A WAGES BOARD ADJUSTED PURSUANT TO SECTION 21 OF THE FACTORIES AND SHOPS ACT 1934 (No. 4275).

I, Raymond Henry Beers, Secretary for Labour, in pursuance of the powers conferred by the Factories and Shops Acts, hereby make and issue the following adjusted Determination of the Wages Board referred to hereunder showing adjusted rates and prices to operate from the beginning of the first pay period to commence in August, 1949.

Dated at Melbourne, this
16th day of August, 1949.

RAY. H. BEERS,
Secretary for Labour

CEMENT BOARD.

Clause 2 of the Determination published in *Government Gazette* No. 454 of the 30th May, 1949, shall be replaced by the following clause:—

2.

WAGES.

APPRENTICES AND IMPROVERS.

	CEMENT WORKS.			QUARRIES.		
	Wages per Week.			Wages per Week.		
	Adjustable Rate.	Plus War Loading (Non-adjustable).	Total Wage.	Adjustable Rate.	Plus War Loading (Non-adjustable).	Total Wage.
	<i>s.</i>	<i>d.</i>	<i>s.</i>	<i>s.</i>	<i>d.</i>	<i>s.</i>
Under 16 years of age ..	49	9	51	57	3	59
" 17 " " ..	63	0	65	71	0	74
" 18 " " ..	73	0	76	82	9	86
" 19 " " ..	89	6	93	97	3	101
" 20 " " ..	101	9	106	109	0	113
" 21 " " ..	116	3	121	122	0	127

PROPORTION (in any factory or place).

Apprentices.

One apprentice to every three or fraction of three workers receiving not less than the minimum wage.

Improvers.

One improver to every five or fraction of five workers receiving not less than the minimum wage.

OTHER EMPLOYEES (MALES).

(a)	Cement Works.	Wages per Week.		
		Adjustable Rate.	Plus War Loading (Non-adjustable).	Total Wage.
		<i>s. d.</i>	<i>s. d.</i>	<i>s. d.</i>
Cement Burner	157 0	6 0	163 0	
Tester on Slurry Controls	153 0	6 0	159 0	
Miller	151 3	6 0	157 3	
Coal Drier	151 3	6 0	157 3	
Potash plant attendant	151 3	6 0	157 3	
Loader in railway trucks at bagging sheds	155 0	6 0	161 0	
Machine Bag Filler	155 0	6 0	161 0	
Electrostatic Precipitator Attendant	148 6	6 0	154 6	
Pipe Line Attendant	141 6	6 0	147 6	
Slurry Tank Attendant	148 0	6 0	154 0	
Mammoth Crusher Attendant	151 6	6 0	157 6	
Truck Cleaner	139 0	6 0	145 0	
Cleaner (other)	137 0	6 0	143 0	
Truck Tarper	141 6	6 0	147 6	
Mill Room Helper	141 6	6 0	147 6	
Centrefuge Operator	144 0	6 0	150 0	
Potash Residue Attendant	144 0	6 0	150 0	
Experienced Factory Operative	141 6	6 0	147 6	
Train Attendant	146 0	6 0	152 0	
All others	134 0	6 0	140 0	

Female testers on slurry controls shall be paid 54 per cent. of the gross male rate.

(b)	Quarries.	Adjustable Rate.	Plus War Loading (Non-adjustable).	Total Wage.
		<i>s. d.</i>	<i>s. d.</i>	<i>s. d.</i>
		Powder Monkey	164 6	6 0
Jack Hammerman	164 6	6 0	170 6	
Platelayer	155 0	6 0	161 0	
Bankman	152 0	6 0	158 0	
Underground Drainer	190 6	6 0	196 6	
Underground Quarryman	168 6	6 0	174 6	
Pump Attendant	159 6	6 0	165 6	
Signal Attendant	149 6	6 0	155 6	
Leverman	146 0	6 0	152 0	
Dump Man	146 0	6 0	152 0	
String Puller	144 0	6 0	150 0	
Switch Attendant	144 0	6 0	150 0	
Dray Attendant	146 0	6 0	152 0	
All others	141 0	6 0	147 0	

LEADING HANDS.

(c) In addition to the appropriate wages rate prescribed in sub-clauses (a) or (b) hereof a Leading Hand shall be entitled to the following allowance:—

If in charge of 4 or less men 1/- per day.
If in charge of 5 to 8 men 1/6 per day.
If in charge of 9 men or more 2/- per day.

Clauses, other than clause 2, of the said Determination shall remain in force.



VICTORIA GOVERNMENT GAZETTE.

Published by Authority.

[Registered at the General Post Office, Melbourne, for transmission by post as a newspaper.]

No. 717]

TUESDAY, AUGUST 23.

[1949

Factories and Shops Acts.

DETERMINATION OF A WAGES BOARD ADJUSTED PURSUANT TO SECTION 21 OF THE FACTORIES AND SHOPS ACT 1934 (No. 4275).

I, Raymond Henry Beers, Secretary for Labour, in pursuance of the powers conferred by the Factories and Shops Acts, hereby make and issue the following adjusted Determination of the Wages Board referred to hereunder showing adjusted rates and prices to operate from the beginning of the first pay period to commence in August, 1949.

Dated at Melbourne, this
16th day of August, 1949.

RAY H. BEERS,
Secretary for Labour.

CORK TRADE BOARD.

Clauses 2 (a) and 2 (b) of the Determination published in *Government Gazette* No. 563 of the 21st May, 1948, shall be replaced by the following clauses:—

2. (a)	WAGES.	Per Week.
		£ s. d.
<i>Adult Males.</i>		
Cork Cutting:—		
Rounding; drawing off; bench hand reclaiming waste and/or clean ending by hand—		
First six months		7 7 6
Thereafter		7 17 6
Feeders and/or operators of machines i.e., employees backing down; notching; boring; pressing; knurling;		
assembling; and/or capping or closing		7 5 6
All others		7 2 6
Cork Board:—		
Oven hand in charge (curing)		7 17 6
All others		7 2 6
Compressed Cork:—		
Oven hand in charge (curing)		7 17 6
Splitting with hand knife and/or mixing granules with adhesive by machinery		7 10 6
All others		7 5 6
Fishing Requisites:—		
Rounding and/or drawing off—		
First six months		7 7 6
Thereafter		7 17 6
Employees notching; boring; threading; and/or attaching wire ferrules to sticks		7 5 6
All others		7 2 6
<i>Adult Females.</i>		
Under three months' experience		4 6 0
All others		4 19 0

(b) APPRENTICES OR IMPROVERS.

Males.				Per Week.	Females.				Per Week.
				£ s. d.					£ s. d.
Under 16 years of age	1 12 6	17 years of age and under	2 12 0
16 years of age	2 5 6	18 years of age	3 2 0
17 years of age	3 2 0	19 years of age	3 12 0
18 years of age	3 18 0	20 years of age	4 2 0
19 years of age	4 18 0					
20 years of age	5 17 0					

PROPORTION (in any place).

APPRENTICES.	IMPROVERS.
<p><i>Males.</i></p> <p>One male apprentice to every three or fraction of three male workers receiving not less than the minimum wage.</p> <p><i>Females.</i></p> <p>One female apprentice to every three or fraction of three female workers receiving not less than the minimum wage.</p>	<p><i>Males.</i></p> <p>One male improver to every four or fraction of four male workers receiving not less than the minimum wage.</p> <p><i>Females.</i></p> <p>One female improver to every four or fraction of four female workers receiving not less than the minimum wage.</p>

Clauses, other than clauses 2 (a) and 2 (b), of the said Determination shall remain in force.



VICTORIA GOVERNMENT GAZETTE.

Published by Authority.

[Registered at the General Post Office, Melbourne, for transmission by post as a newspaper.]

No. 718]

TUESDAY, AUGUST 23.

[1949

Factories and Shops Acts.

DETERMINATION OF A WAGES BOARD ADJUSTED PURSUANT TO SECTION 21 OF THE FACTORIES AND SHOPS ACT 1934 (No. 4275).

I, Raymond Henry Beers, Secretary for Labour, in pursuance of the powers conferred by the Factories and Shops Acts, hereby make and issue the following adjusted Determination of the Wages Board referred to hereunder showing adjusted rates and prices to operate from the beginning of the first pay period to commence in August, 1949.

Dated at Melbourne, this
19th day of August, 1949.

RAY. H. BEERS,
Secretary for Labour.

MANUFACTURING CHEMISTS BOARD.

Clause 2 of the Determination published in *Government Gazette* No. 516 of the 9th June, 1949, shall be replaced by the following clause:—

2.

WAGES.

	Apprentices.						Improvers.						
	Males.			Females.			Males.			Females.			
	Adjust-able Weekly Rate.	War Loading Non-adjust-able.	Total Weekly Wage.	Adjust-able Weekly Rate.	War Loading Non-adjust-able.	Total Weekly Wage.	Adjust-able Weekly Rate.	War Loading Non-adjust-able.	Total Weekly Wage.	Adjust-able Weekly Rate.	War Loading Non-adjust-able.	Total Weekly Wage.	
	<i>s. d.</i>	<i>s. d.</i>	<i>s. d.</i>	<i>s. d.</i>	<i>s. d.</i>	<i>s. d.</i>	<i>s. d.</i>	<i>s. d.</i>	<i>s. d.</i>	<i>s. d.</i>	<i>s. d.</i>	<i>s. d.</i>	
1st year	32 0	0 9	32 9	32 0	0 9	32 9	Under 16 years of age	34 0	0 9	34 9	29 3	0 6	29 9
2nd "	41 3	0 9	42 0	36 0	0 9	36 9	16 years of age	41 3	0 9	42 0	32 0	0 9	32 9
3rd "	52 9	1 0	53 9	41 3	0 9	42 0	17 "	55 0	1 0	56 0	36 0	0 9	36 9
4th "	63 9	1 3	65 0	52 6	1 0	53 6	18 "	74 9	1 6	76 3	42 3	0 9	43 0
5th "	75 9	1 6	77 3	64 3	1 3	65 6	19 "	92 6	1 9	94 3	51 3	1 0	52 3
							20 "	116 0	2 3	118 3	64 3	1 3	65 6

NUMBER (in any place).

Apprentices.

One apprentice to every three or fraction of three workers of the same sex receiving not less than the minimum wage.

Male Improvers.

One male improver to every three or fraction of three male workers receiving 147s. per week.

Female Improvers.

One female improver to every two or fraction of two female workers receiving 88s. per week.

Apprentices and Improvers shall be subject to the same number of hours per week as fixed for their respective sections.

OTHER EMPLOYEES.		Per Week of 40 Hours.		
		Adjustable Weekly Rate.	War Loading Non-adjustable.	Total Weekly Wage
<i>Males.</i>				
(a) Employees in Warehouses.				
Foreman of any Department in which six or more workers are employed	175 0	3 0	178 0
Foreman of any Department in which three to five workers are employed	166 0	3 0	169 0
First Assistant i.e. a person in a Department who is required to keep official records and in addition is required to weigh, measure, check, wrap or label drugs	164 0	3 0	167 0
Drug Department employee engaged in weighing, measuring, checking, wrapping and/or labelling under supervision	157 0	3 0	160 0
Drug Department employee who is required only to weigh and/or measure under supervision	151 0	3 0	154 0
Salesman in any Department under supervision	148 6	3 0	151 6
All others	144 0	3 0	147 0
(b) Employees (other than in Warehouses).				
(i) In Alkaloid Extraction Department.				
Foreman in charge of one or more persons	177 0	3 0	180 0
First assistant	159 0	3 0	162 0
Second assistant	153 0	3 0	156 0
(ii) In Alkaloid Refining Department.				
Person in charge of refining operations and records	167 0	3 0	170 0
Refinery operator purifying alkaloids	159 0	3 0	162 0
Refinery operator (other)	153 0	3 0	156 0
(iii) In Other Places.				
Foreman capable of manufacturing from given formulae, under supervision, and who is in charge of six or more workers	175 0	3 0	178 0
Foreman capable of manufacturing from given formulae, under supervision, and who is in charge of one to five workers	166 0	3 0	169 0
First Assistant where five or more workers are employed	158 0	3 0	161 0
Ether Stillman	156 0	3 0	159 0
Assistant engaged in any of the following processes under supervision:—				
(a) Manufacturing Galenical or Chemical Compounds, Pills, Tablets, Toilet Preparations and Perfumery	151 0	3 0	154 0
(b) Granulating			
(c) Pill and Tablet Coating			
All others	144 0	3 0	147 0
<i>Females.</i>				
Alkaloid Refining Department.				
Person in charge of refining operations and records	139 0	3 0	142 0
Person filling and wrapping	113 9	2 3	116 0
Other Places.				
Forewoman in charge of one to five workers	109 9	2 3	112 0
Forewoman in charge of six or more workers	114 0	2 3	116 3
Other adults	86 3	1 9	88 0

Clauses, other than clause 2, of the said Determination shall remain in force.



VICTORIA
GOVERNMENT GAZETTE.

Published by Authority.

[Registered at the General Post Office, Melbourne, for transmission by post as a newspaper.]

No. 719]

TUESDAY, AUGUST 23.

[1949

Factories and Shops Acts.

**DETERMINATION OF A WAGES BOARD ADJUSTED PURSUANT TO SECTION 21 OF THE
FACTORIES AND SHOPS ACT 1934 (No. 4275).**

I, Raymond Henry Beers, Secretary for Labour, in pursuance of the powers conferred by the Factories and Shops Acts, hereby make and issue the following adjusted Determination of the Wages Board referred to hereunder showing adjusted rates and prices to operate from the beginning of the first pay period to commence in August, 1949.

Dated at Melbourne, this
19th day of August, 1949.

RAY. H. BEERS,
Secretary for Labour.

OVENMAKERS BOARD.

Clauses 2 and 3 of the Determination published in *Government Gazette* No. 87 of the 16th February, 1949, shall be replaced by the following clauses:—

2.

WAGES PER WEEK OF 40 HOURS.

	Within the Metropolitan District; the Cities of Geelong, Geelong West, and the Town of Newtown and Chilwell, and the City of Warrnambool.	Other Parts of Victoria.
	<i>s. d.</i>	<i>s. d.</i>
STOVEMAKING SECTION.		
Fitter making, repairing, assembling, re-assembling, setting, installing (other than electrical installation) or testing fuel cooking stoves, ovens, gas or electric stoves—		
Up to 3 ft. 6 in. in width	156 0	153 0
Between 3 ft. 6 in. and 5 feet in width	159 0	156 0
Fitter making, repairing, setting or installing (other than electrical installation) gas or electric stoves or other cooking or heating appliances over 5 feet in width by jobbing methods	173 6	170 6
Fitter mainly engaged on sheet metal work and sheet metal workers preparing material for assembling	159 0	156 0
Tester not engaged as fitter	148 0	145 0
Pattern and moulding box fitter and filer	159 0	156 0
Painter, brush	149 0	146 0
Painter, spray	152 0	149 0
Press operator	150 0	147 0
Other power machinist	147 0	144 0
Polisher and grinder	156 0	153 0
Stove blacksmith	153 0	150 0
Electroplater in charge	105 0	102 0
Electroplater's assistant	151 0	148 0
Labourer delivering material to and taking finished articles from fitters	145 0	142 0
Stove blacksmith's striker	148 0	145 0
Labourer directly assisting workmen whose margins exceed 26s. per week	151 0	148 0
Other employees with not less than three months' experience in the industry	137 0	134 0
All others	131 0	128 0

WAGES PER WEEK OF 40 HOURS.

	Within the Metropolitan District; the Cities of Geelong, Geelong West, and the Town of Newtown and Chilwell, and the City of Warrnambool.	Other Parts of Victoria.
PORCELAIN ENAMELLING SECTION.		
Fuser	160 0	157 0
Fuser's assistant	151 0	148 0
Mill hand and mixer	151 0	148 0
Sprayer	152 0	149 0
Shot and sand-blast dresser	157 0	154 0
Other dresser	152 0	149 0
Swiller, gripper, and brusher	148 0	145 0
Pickler	148 0	145 0
Racksman	146 0	143 0
Other employees with not less than three months' experience in the industry	137 0	134 0
All others	131 0	128 0

3. JUNIOR MALE AND FEMALE LABOUR.

	Percentage of Needs Basic Wage.	Adjustable Portion of Wage.	Loading (Constant).	Additional Amount.	Total Wage.
	Per Week.	Per Week.	Per Week.	Per Week.	Per Week.
<i>Junior Males.</i>					
Under 16 years of age		16 6	0 6	1 6	18 6
16 and under 17 years of age		42 0	0 9	2 6	45 3
17 and under 18 years of age		74 6	1 0	4 6	80 0
18 and under 19 years of age		92 6	2 0	6 0	100 6
19 and under 21 years of age		111 6	2 6	7 0	121 0
<i>Adult Females.</i>					
If of less than twelve months' experience	65		3 0	6 0	88 6
Of twelve months' experience or more	75		3 0	7 0	101 6
<i>Junior Females.</i>					
17 years of age and under	40		1 0	3 6	53 6
18 years of age	47½		1 3	4 0	63 0
19 years of age	55		1 6	4 6	73 0
20 years of age	62½		2 0	5 0	83 0

Females and unapprenticed male juniors may be employed on piece-work subject to clause 17 hereof. The wages of male juniors in receipt of 20s. per week or more shall be adjusted proportionately to adjustments of the needs basic wage in terms of clause 24 hereof, such adjustments to be made to the nearest 3d., half or less than half of 3d. to be disregarded. The wages of females shall be calculated to the nearest 6d., any broken part of 6d. in the result not exceeding 3d. to be disregarded.

Clauses, other than clauses 2 and 3, of the said Determination shall remain in force.



VICTORIA GOVERNMENT GAZETTE.

Published by Authority.

[Registered at the General Post Office, Melbourne, for transmission by post as a newspaper.]

No. 720]

TUESDAY, AUGUST 23

[1949

Factories and Shops Acts.

DETERMINATION OF A WAGES BOARD ADJUSTED PURSUANT TO SECTION 21 OF THE FACTORIES AND SHOPS ACT 1934 (No. 4275).

I, Raymond Henry Beers, Secretary for Labour, in pursuance of the powers conferred by the Factories and Shops Acts, hereby make and issue the following adjusted Determination of the Wages Board referred to hereunder showing adjusted rates and prices to operate from the beginning of the first pay period to commence in August, 1949.

Dated at Melbourne, this
19th day of August, 1949.

RAY H. BEERS,
Secretary for Labour.

ROOFING TILES BOARD

Clause 2 of the Determination published in *Government Gazette* No. 88 of the 16th February, 1949, shall be replaced by the following clause:—

2. (a)

(1) APPRENTICES OR IMPROVERS.

MALES.

Wages per Week of 40 hours.

	Employed in Clayholes exceeding 25 ft. in Depth.	Employed in All other Places.			Total Wage.
		Adjustable Rate.	Emergency Loading (Non-adjustable).	Special Loading (Non-adjustable).	
Under 15 years of age	At the Rates prescribed for Adults	<i>s. d.</i> 30 9	<i>s. d.</i> 1 3	<i>s. d.</i> 2 3	<i>s. d.</i> 34 3
15 years of age		35 6	1 6	2 9	39 9
16 " "		41 0	1 6	3 3	45 9
17 " "		49 0	1 9	3 9	54 6
18 " "		65 9	2 6	5 0	73 3
19 " "		77 6	3 0	6 0	86 6
20 " "	95 6	3 9	7 3	106 6	

FEMALES.

Wages per Week of 40 hours.

	Adjustable Rate.	Emergency Loading (Non-adjustable).	Special Loading (Non-adjustable).	Total Wage.
Under 15 years of age	<i>s. d.</i> 30 3	<i>s. d.</i> 1 3	<i>s. d.</i> 2 3	<i>s. d.</i> 33 9
15 years of age	35 0	1 3	2 9	39 0
16 " "	39 9	1 6	3 0	44 3
17 " "	42 6	1 9	3 3	47 6
18 " "	48 3	1 9	3 9	53 9
19 " "	55 6	2 0	4 3	61 9
20 " "	61 0	2 3	4 9	68 0

(b) Notwithstanding anything contained in the schedules of rates prescribed in sub-clause (a) hereof, any junior feeding or taking off a tile press shall be paid not less than 75 per cent. of the appropriate adult rate calculated to the nearest 3d.

Proportion (in any factory or place).

Apprentices.

(c) One male apprentice to every three or fraction of three male workers receiving not less than the minimum wage.
One female apprentice to every three or fraction of three female workers receiving not less than the minimum wage.

Improvers.

Such number of male improvers as shall not, together with apprentices, exceed in the aggregate, two to every four, or fraction of four male adult weekly workers receiving not less than the minimum wage.

Such number of female improvers as shall not, together with apprentices, exceed in the aggregate, two to every five, or fraction of five female adult weekly workers receiving not less than the minimum wage.

(II) ALL OTHER EMPLOYEES.

MALES.

Wages Per Week of 40 Hours.

	<i>s.</i>	<i>d.</i>
Burner 156	0
Burner's Assistant 152	0
Damperman and/or kiln cleaner 149	0
Clayhole man working underground in shaft and/or tunnel (Employer to provide tools) 161	0
Faceman or man drilling or using explosives in quarry of face 25 feet or less 163	0
All other facemen 165	0
All other clayhole men (Employer to provide tools) 155	0
Drawer 155	0
Setter 159	0
Mouldmaker (including plaster die making) 169	0
Flower pot, or flower pot saucer throwers 159	0
Maker on press (screw or lever type) 155	0
Hand presser and moulder 159	0
Man digging and/or wheeling clay from a dump and/or levelling a dump 152	0
Crusher or grinding pan attendant 152	0
Loftman 152	0
Man sorting roofing tiles 152	0
Packer into rail trucks 152	0
Man feeding and/or taking off tile press 155	0
Tile feeder's assistant 149	0
Man carrying or wheeling into or out of kiln or to or away from kiln 152	0
Racker or wheeler who also racks 152	0
Other tile wheeler 149	0
Dresser or trimmer (dry tiles) 149	0
Waste-man or other unskilled man 149	0
Man in charge of pug and/or mixer machine (i.e., pug and/or mixer machine attendant and/or rigger) 159	0
Wire cut attendant, column man, and/or off bearer from a wire cut machine 152	0
Yardman order officer (i.e., an employee who attends clients and arranges deliveries for them in accordance with their selection)	155	0

FEMALES.

The wage rate for an adult female shall be 75 per cent. of the appropriate male rate for the class of work done.

Clauses, other than clause 2, of the said Determination shall remain in force.



VICTORIA
GOVERNMENT GAZETTE.

Published by Authority.

[Registered at the General Post Office, Melbourne, for transmission by post as a newspaper.]

No. 721]

TUESDAY, AUGUST 23.

[1949

Factories and Shops Acts.

DETERMINATION OF A WAGES BOARD ADJUSTED PURSUANT TO SECTION 21 OF THE
FACTORIES AND SHOPS ACT 1934 (No. 4275).

I, Raymond Henry Beers, Secretary for Labour, in pursuance of the powers conferred by the Factories and Shops Acts, hereby make and issue the following adjusted Determination of the Wages Board referred to hereunder showing adjusted rates and prices to operate from the beginning of the first pay period to commence in August, 1949.

Dated at Melbourne, this
19th day of August, 1949.

RAY H. BEERS,
Secretary for Labour.

SEWER BUILDERS BOARD.

Clause 2 of the Determination published in *Government Gazette* No. 225 of the 4th March, 1949, shall be replaced by the following clause:—

WAGES.

2. NOTE.—Additional rates are provided for persons employed by Contractors. See clause 5.

(a)		
<i>Apprentices or Improvers.</i>		<i>Juveniles.</i>
Wages. Per Week of 40 Hours.		Wages. Per Week of 40 Hours.
s. d.		s. d.
1st year }	96 0	Persons under 19 years of age (other than apprentices or improvers) employed—(a) carrying tools; (b) as toolmith's assistant
2nd year }		
3rd year }		
PROPORTION.		
<i>Apprentices.</i>		
One apprentice to every three or fraction of three employees receiving not less than the rate fixed in this Determination for an employee "not elsewhere classified".		
<i>Improvers.</i>		
One improver to every fifty or fraction of fifty employees receiving not less than the rate fixed in this Determination for an employee "not elsewhere classified".		

All Other Employees.

(b) (i) Day shift :—

	Wages Per Week of 40 Hours.
	<i>£ s. d.</i>
Borer, leading (i.e., employee in charge of borers testing the ground)	8 5 6
Borer testing ground	7 18 0
Cement gun nozzle operator	8 8 0
Concrete floater	8 5 6
Concrete gauger, mixer, or handler	7 18 0
Concrete mixer-driver doing repairs	8 9 0
Concrete mixer-driver not doing repairs	8 3 0
Concrete patcher	8 5 6
Compressor employee in charge doing repairs	8 9 0
Compressor employee in charge not doing repairs	8 3 0
Foreman's assistant	7 18 0
Hammer and drill hand	8 3 0
Jumperman	7 18 0
Leading hand in charge of six to ten other employees	8 13 0
Leading hand in charge of more than ten other employees	8 18 0
Live sewer worker	9 8 0
Machine borer	8 10 6
Manhole builder	8 13 0
Manhole sinker (any shape)	8 8 0
Leading pipe layer and/or leading jointer	8 10 6
Pipe layer and/or jointer	8 8 0
Pitcher setter	8 3 0
Ploughman	8 3 0
Ploughman's assistant	7 13 0
Pneumatic pick or scabbler or vibrator user	8 8 0
Powder monkey	8 13 0
Pump employee in charge of pump pumping water and doing repairs	7 18 0
Reinforcement placer or wiper	7 18 0
Renderer in open drains	8 18 0
Renderer in pipes, tunnels, or covered drains	9 10 6
Rigger's assistant, vent erecting	8 3 0
Rigger in charge, vent erecting or dismantling	8 13 0
Scoop filler	7 18 0
Sinker—with less than three months' experience	7 18 0
Sinker (other than manhole sinker) with three months' experience or over	8 3 0
Slurry refiller	7 13 0
Timber drawer in drives or working below 12 feet in shafts	8 3 0
Timber cutter, preparer or measurer	8 3 0
Timberman, timbering in trenches immediately behind power excavator	8 13 0
Toolsmith	8 3 0
Topman	7 13 0
Trimmer, leading (i.e., an employee in charge of trimmers)	8 8 0
Trimmer, other than leading trimmer	8 5 6
Tunneller including an employee excavating in drives	8 3 0
Vent erector or dismantler	7 18 0
Windlass hand, working alone on tripod windlass	7 18 0
Windlass hand—other	7 13 0
Employee not elsewhere classified	7 13 0

(ii) afternoon and night shift.

The wages rates provided in clause 2 (b) (i) plus an additional 5s. per shift.

Clauses, other than clause 2, of the said Determination shall remain in force.



VICTORIA GOVERNMENT GAZETTE.

Published by Authority.

[Registered at the General Post Office, Melbourne, for transmission by post as a newspaper.]

No. 722]

TUESDAY, AUGUST 23.

[1949

Factories and Shops Acts.

DETERMINATION OF A WAGES BOARD ADJUSTED PURSUANT TO SECTION 21 OF THE FACTORIES AND SHOPS ACT 1934 (No. 4275).

I, Raymond Henry Beers, Secretary for Labour, in pursuance of the powers conferred by the Factories and Shops Acts, hereby make and issue the following adjusted Determination of the Wages Board referred to hereunder showing adjusted rates and prices to operate from the beginning of the first pay period to commence in August, 1949.

Dated at Melbourne, this
19th day of August, 1949.

RAY H. BEERS,
Secretary for Labour.

SEWAGE DISTRIBUTION BOARD.

Clause 2 of the Determination published in *Government Gazette* No. 86 of the 16th February, 1949, shall be replaced by the following clause:—

WAGES PER WEEK.

	£	s.	d.
2. (a) Leading waterman	8	7	0
Waterman	7	16	0
Groundsman	7	16	0

Maintenance Work.

Ganger (i.e., a man in charge of over six men)	8	7	0
Leading hand (i.e., a man in charge of from three to six men)	8	1	0
All others	7	12	0

Maintenance work includes operations in areas used for sewage disposal on carriers used for the conveyance of sewage, and on drains used for the conveyance of effluent.

(b) An employee engaged on continuous shift work shall, in addition to the appropriate rate fixed above, be paid a loading at the rate of 10s. per week. Provided that for shift work done on a Saturday he shall be paid at the rate of time and one half of the appropriate rate fixed above.

(c) (i) Where an employee in any of the above classifications is required to do work of an unusually offensive nature in grass filtration or pasture areas, entering or cleaning out sewage distribution or effluent channels or digestion tanks or septic tanks, he shall be paid a disability rate of 10s. per week or 2s. per day in lieu of the disability rate for his classification as prescribed in clause 16 with a minimum of two hours on any one day. The decision as to what constitutes work of an unusually offensive nature shall be made by the Resident Engineer, if necessary after consultation with an employee member of the Wages Board on the job.

(ii) Where an employee in any of the above classifications is required to enter and manually remove sludge from sedimentation tanks, or syphons, he shall be paid a disability rate of 25s. per week or 5s. per day in lieu of the disability rate for his classification as prescribed in clause 16.

NOTE.—The Wages Board has determined in accordance with section 25 (1) of the *Factories and Shops Act 1934*, that the trade is so unskilled that no person should be taken as an apprentice in the trade.

Clauses, other than clause 2, of the said Determination shall remain in force.

By Authority: J. J. GOURLEY, Government Printer, Melbourne.



VICTORIA GOVERNMENT GAZETTE.

Published by Authority.

[Registered at the General Post Office, Melbourne, for transmission by post as a newspaper.]

No. 723]

TUESDAY, AUGUST 23.

[1949

Factories and Shops Acts.

DETERMINATION OF A WAGES BOARD ADJUSTED PURSUANT TO SECTION 21 OF THE FACTORIES AND SHOPS ACT 1934 (No. 4275).

I, Raymond Henry Beers, Secretary for Labour, in pursuance of the powers conferred by the Factories and Shops Acts, hereby make and issue the following adjusted Determination of the Wages Board referred to hereunder showing adjusted rates and prices to operate from the beginning of the first pay period to commence in August, 1949.

Dated at Melbourne, this
19th day of August, 1949.

RAY H. BEERS,
Secretary for Labour.

SOFTGOODS—WHOLESALE—BOARD.

Clause 2 of the Determination published in *Government Gazette* No. 546 of the 20th May, 1949, shall be replaced by the following clause:—

2.

Apprentices or Improvers.							Other Employees.	
Wages per Week of 40 Hours.							Wages per Week of 40 Hours.	
Experience.	Commencing Age.						<i>s. d.</i>	<i>s. d.</i>
	Under 16 years.	16 years.	17 years.	18 years.	19 years.	20 years.		
Males.							Males.	
1st year ..	41 0	41 0	54 9	61 6	82 0	119 9	Senior salesman, i.e., a person in immediate control of two or more employees one of whom shall be 21 years of age or over, notwithstanding such senior salesman may be under the orders of a superior who does not devote his whole time to the management of the department	
2nd ..	54 9	61 6	68 6	92 3	119 9	..	Salesmen and all employees assisting in sales	
3rd ..	66 3	77 6	100 3	119 9	175 0	
4th ..	79 9	102 6	119 9	164 0	
5th ..	97 0	119 9		
6th ..	119 9		
Females.							Females.	
1st year ..	30 9	30 9	41 0	46 3	61 6	89 9	Females employed in Millinery, Mantles, Corsets, Under-clothing, Hosiery, Haberdashery, Ribbon, Glove, or Lace Departments—	
2nd ..	41 0	46 3	51 3	69 3	89 9	..	Senior saleswoman, i.e., a person in immediate control of two or more employees at least one of whom is 21 years of age or over, notwithstanding that such senior saleswoman may be under the orders of a superior who does not devote his or her whole time to the management of the department	
3rd ..	49 6	58 3	75 3	89 9	131 3	
4th ..	59 9	77 0	89 9	Other saleswomen	
5th ..	72 9	89 9	Females employed in any other Departments—	
6th ..	89 9	Senior saleswoman, i.e., a person in immediate control of two or more employees at least one of whom is 21 years of age or over, notwithstanding that such senior saleswoman may be under the orders of a superior who does not devote his or her whole time to the management of the department	
							175 0	
							164 0	

PROPORTION (IN ANY PLACE).

Apprentices.

One apprentice to three or fraction of three workers receiving not less than the minimum wage.

Improvers.

One improver to each worker receiving not less than the minimum wage.

Clauses, other than clause 2, of the said Determination shall remain in force.

By Authority: J. J. GOURLEY, Government Printer, Melbourne.



VICTORIA
GOVERNMENT GAZETTE.

Published by Authority.

[Registered at the General Post Office, Melbourne, for transmission by post as a newspaper.]

No. 724]

TUESDAY, AUGUST 23.

[1949

Factories and Shops Acts.

DETERMINATION OF A WAGES BOARD ADJUSTED PURSUANT TO SECTION 21 OF THE FACTORIES AND SHOPS ACT 1934 (No. 4275).

I, Raymond Henry Beers, Secretary for Labour, in pursuance of the powers conferred by the Factories and Shops Acts, hereby make and issue the following adjusted Determination of the Wages Board referred to hereunder showing adjusted rates and prices to operate from the beginning of the first pay period to commence in August, 1949.

Dated at Melbourne, this
19th day of August, 1949.

RAY. H. BEERS,
Secretary for Labour.

SHOPS BOARD No. 17 (TOBACCONISTS).

Clause 2 of the Determination published in *Government Gazette* No. 631 of the 5th August, 1949, shall be replaced by the following clause:—

2.

Apprentices or Improvers.				Other Employees.			
WAGES.		Per Week of 40 Hours.		WAGES.		Per Week of 40 Hours.	
		Males.	Females.			Males.	Females.
		s.	d.	s.	d.		
15 years of age or under	..	42	0	39	0	Departmental Manager, i.e., the principal employee in charge of a tobacco Department in any store, notwithstanding he or she may be under the orders of another person who does not devote his or her whole time to the management of such Department .. 180 0 152 6 First assistant, 25 years of age, where two or more persons over the age of 19 years are employed .. 175 0 147 6 *All others .. 165 0 136 6 * Provided that any employee in charge of a kiosk, or stall, notwithstanding he or she may be under the orders of another person who does not devote his or her whole time to the management of such kiosk, or stall, shall be paid the rates herein provided with an addition of 10 per cent.	
16 years of age	..	53	0	48	6		
17 years of age	..	77	0	65	6		
18 years of age	..	94	0	78	6		
19 years of age	..	114	0	97	0		
20 years of age	..	134	6	118	6		
Provided that any apprentice or improver without previous experience entering the trade at 17, 18, 19, or 20 years of age may be paid for his first and second year's service 20 per cent. less than the rates fixed above.							
PROPORTION (IN ANY PLACE).							
<i>Apprentices.</i>							
One apprentice to three or fraction of three workers receiving not less than the minimum wage.							
<i>Improvers.</i>							
One improver to every two or fraction of two workers receiving not less than the minimum wage.							

Clauses, other than clause 2, of the said Determination shall remain in force.

By Authority: J. J. GOUBLET, Government Printer, Melbourne.



VICTORIA GOVERNMENT GAZETTE.

Published by Authority.

[Registered at the General Post Office, Melbourne, for transmission by post as a newspaper.]

No. 725]

TUESDAY, AUGUST 23.

[1949

Factories and Shops Acts.

DETERMINATION OF A WAGES BOARD ADJUSTED PURSUANT TO SECTION 21 OF THE FACTORIES AND SHOPS ACT 1934 (No. 4275).

I, Raymond Henry Beers, Secretary for Labour, in pursuance of the powers conferred by the Factories and Shops Acts, hereby make and issue the following adjusted Determination of the Wages Board referred to hereunder showing adjusted rates and prices to operate from the beginning of the first pay period to commence in August, 1949.

Dated at Melbourne, this
19th day of August, 1949.

RAY. H. BEERS,
Secretary for Labour.

FROZEN GOODS BOARD.

Clause 2 of the Determination published in *Government Gazette* No. 76 of the 7th February, 1949, shall be replaced by the following clause:—

2.

WAGES.

Improvers and Juvenile Workers.					Other Employees.				
—	Weekly Rate.	*War Loading.	Total Weekly Wage.	Per Hour.	—	Per Week.			
						Weekly Rate.	*War Loading.	Total Weekly Wage.	Per Hour.
	£ s. d.	s. d.	£ s. d.	s. d.		£ s. d.	s. d.	£ s. d.	s. d.
16 years of age and under 17	3 4 1	0 11	3 5 0	1 7½	Chamber hands	9 12 6	4 0	9 16 6	4 10 ¹⁹ / ₂₀
17 " " " 18	3 11 7	0 11	3 12 6	1 9½					
18 " " " 19	4 3 2	1 10	4 5 0	2 1½	All others	8 19 10	4 0	9 3 10	4 7 ³ / ₂₀
19 " " " 20	4 18 2	1 10	5 0 0	2 6					
20 " " " 21	6 3 11	2 9	6 6 8	3 2					

For definition of juvenile workers, see clause 11.

PROPORTION OF IMPROVERS.

One improver to every 25 or fraction of 25 workers receiving not less than the hourly rate herein prescribed for "all others".

Temporary workers shall be paid time and a half on the ordinary rates for work done during ordinary working hours. For work done outside those hours they shall receive ordinary overtime rates.

* The War Loading shall not be taken into account in the calculation of overtime and holiday rates.

NOTE.—The Wages Board has determined in accordance with section 25 (1) of the amended *Factories and Shops Act 1934* that the trade is so unskilful that no person should be taken as an apprentice to the trade.

Clauses, other than clause 2, of the said Determination shall remain in force.

By Authority: J. J. GOURLEY, Government Printer, Melbourne.

.....



VICTORIA
GOVERNMENT GAZETTE.

Published by Authority.

[Registered at the General Post Office, Melbourne, for transmission by post as a newspaper.]

No. 726]

TUESDAY, AUGUST 23.

[1949

Factories and Shops Acts.

**DETERMINATION OF A WAGES BOARD ADJUSTED PURSUANT TO SECTION 21 OF THE
FACTORIES AND SHOPS ACT 1934 (No. 4275).**

I, Raymond Henry Beers, Secretary for Labour, in pursuance of the powers conferred by the Factories and Shops Acts, hereby make and issue the following adjusted Determination of the Wages Board referred to hereunder showing adjusted rates and prices to operate from the beginning of the first pay period to commence in May, 1949.

Dated at Melbourne, this
19th day of August, 1949.

RAY. H. BEERS,
Secretary for Labour.

HAM AND BACON CURERS BOARD.

Clause 3 of the Determination published in *Government Gazette* No. 623 of the 4th June, 1948, shall be replaced by the following clause:—

OTHER EMPLOYEES.

3. *Wages.*

	Adjustable	War Loading.	Total Weekly
	Weekly Rate.	Non-Adjustable.	Wage.
	£ s. d.	s. d.	£ s. d.
<i>(a) Other than Small Goods Section—</i>			
Leading hands in the slaughtering and curing departments ..	8 18 0	3 0	9 1 0
General assistants in the slaughtering department, cutters-up, rollers, bacon trimmers, and leading hands in the lard and tallow department	8 5 6	3 0	8 8 6
First assistant in the curing department	8 5 6	3 0	8 8 6
Other assistants in the curing department	8 0 6	3 0	8 3 6
Other employees in the lard and tallow department, gut runners, smoke fillers, smoke room and drying room employees, packers, washers of hams and bacon and ham baggers	7 16 0	3 0	7 19 0
Yardmen { For 48 hours per week	7 19 6	3 0	8 2 6
{ For 40 hours per week	7 13 6	3 0	7 16 6
All others	7 10 6	3 0	7 13 6
<i>(b) Small Goods Section—</i>			
Small goods men (i.e., men employed principally on mixing machines and/or responsible for the making of small goods)	8 11 0	3 0	8 14 0
Filler-men	8 1 6	3 0	8 4 6
Small goods makers, (other than small goods men as above mentioned) butchers, small goods sellers from vehicles who collect cash, boners, salters, scalders and cookers	8 5 6	3 0	8 8 6
Packing room hands	7 15 6	3 0	7 18 6
Linkers and table hands	7 14 6	3 0	7 17 6
All others	7 8 0	3 0	7 11 0

Clauses, other than clause 3, of the said Determination shall remain in force.

By Authority: J. J. GOURLEY, Government Printer, Melbourne.

2

3

4

5

6

7

8

9

10

11

12

13

14

15

16

17

18

19

20

21

22

23

24

25

26

27



VICTORIA GOVERNMENT GAZETTE.

Published by Authority.

[Registered at the General Post Office, Melbourne, for transmission by post as a newspaper.]

No. 727]

TUESDAY, AUGUST, 23.

[1949

Factories and Shops Acts.

DETERMINATION OF A WAGES BOARD ADJUSTED PURSUANT TO SECTION 21 OF THE FACTORIES AND SHOPS ACT 1934 (No. 4275).

I, Raymond Henry Beers, Secretary for Labour, in pursuance of the powers conferred by the Factories and Shops Acts, hereby make and issue the following adjusted Determination of the Wages Board referred to hereunder showing adjusted rates and prices to operate from the beginning of the first pay period to commence in August, 1949.

Dated at Melbourne, this
19th day of August, 1949.

RAY. H. BEERS,
Secretary for Labour.

HORSEHAIR BOARD.

Clause 2 of the Determination published in *Government Gazette* No. 510 of the 13th May, 1948, shall be replaced by the following clause:—

2.

Apprentices.			Improvers and Juvenile Workers.			Other Employees.		
WAGES.			WAGES.			<i>Preparing Body Hair.</i>		
		Per Week.			Per Week.			Per Week.
		<i>s. d.</i>			<i>s. d.</i>			<i>s. d.</i>
1st year	43 3	1st year	43 3	Person in charge of hair-washing machine	156 6
2nd	53 6	2nd	64 3	Persons engaged on hair-washing machines	149 6
3rd	64 3	3rd	107 3	Persons engaged on hair-drying machines	149 6
4th	77 6	4th	123 3	Persons who press washed and dried hair into bales	149 6
5th	107 3				All others	145 6
PROPORTION (by any employer).			PROPORTION (by any employer).			<i>Preparing any other kind of Hair.</i>		
One apprentice to every three or fraction of three workers receiving not less than 145s. 6d. per week.			One improver to every five workers receiving not less than 145s. 6d. per week.			WAGES.		
								Per Week
								<i>s. d.</i>
			<i>Juvenile Workers.</i>			Hand Spinners	162 6
			One juvenile worker to every Hand Spinner.			Machine Spinners—		
						1st year	152 6
						2nd	158 6
						And thereafter	162 6
						Drafters	162 6
						Wet or dry hacklers	162 6
						Teasers and tail pullers	149 6
						Dyers or Scalders	146 6
						All others	145 6

Clauses, other than clause 2, of the said Determination shall remain in force, provided that, to the weekly earnings of each piece-worker shall be added the sum of fifteen shillings. Where less than forty hours is worked in any week by any piece-worker, a proportionate amount of such sum of fifteen shillings shall be added in lieu thereof.

By Authority: J. J. GOUBLEY, Government Printer, Melbourne.



VICTORIA GOVERNMENT GAZETTE.

Published by Authority.

[Registered at the General Post Office, Melbourne, for transmission by post as a newspaper.]

No. 728]

TUESDAY, AUGUST 23.

[1949

Factories and Shops Acts.

DETERMINATION OF A WAGES BOARD ADJUSTED PURSUANT TO SECTION 21 OF THE FACTORIES AND SHOPS ACT 1934 (No. 4275).

I, Raymond Henry Beers, Secretary for Labour, in pursuance of the powers conferred by the Factories and Shops Acts, hereby make and issue the following adjusted Determination of the Wages Board referred to hereunder showing adjusted rates and prices to operate from the beginning of the first pay period to commence in August, 1949.

Dated at Melbourne, this
19th day of August, 1949.

RAY. H. BEERS,
Secretary for Labour.

HOSPITAL PHARMACISTS BOARD.

Clause 2 of the Determination published in *Government Gazette* No. 75 of the 7th February, 1949, shall be replaced by the following clause:—

2.

Apprentices.				Other Employees.			
WAGES PER WEEK OF 40 HOURS.				WAGES PER WEEK OF 40 HOURS.			
				£ s. d.			
1st year's experience	1	13	3	
2nd " " "	3	0	0	
3rd " " "	4	6	9	
4th " " "	5	12	3	
5th " " "	7	3	0	
PROPORTION.							
One apprentice to every three or fraction of three workers receiving not less than the minimum wage.							
Where the term of apprenticeship is four years, and the apprentice has not been successful in completing his examinations, he may, with the permission of the Secretary for Labour and the Pharmacy Board be bound for a further period not exceeding one year.							
				<i>Chief Pharmaceutical Chemist—</i> (i.e. A pharmaceutical chemist in charge of the pharmacy department of a hospital.)			
				(a) Where four or more full time pharmaceutical chemists are normally employed .. 14 8 0			
				(b) Where two or three full time pharmaceutical chemists are normally employed .. 13 8 0			
				(c) Where he is the only pharmaceutical chemist employed .. 12 18 0			
				<i>Senior Pharmaceutical Chemist</i> .. 11 13 0			
				Where three or more full time pharmaceutical chemists are normally employed, one shall be a Senior Pharmaceutical Chemist, and shall take charge of the pharmacy department during the absence of the Chief Pharmaceutical Chemist			
				<i>Other Hospital Pharmaceutical Chemist</i>			
				1st year's experience as such .. 10 18 0			
				2nd " " " " .. 11 3 0			
				Thereafter " " " " .. 11 8 0			

Clauses, other than clause 2, of the said Determination shall remain in force.

By Authority: J. J. GOURLEY, Government Printer, Melbourne.



VICTORIA GOVERNMENT GAZETTE.

Published by Authority.

[Registered at the General Post Office, Melbourne, for transmission by post as a newspaper.]

No. 729]

TUESDAY, AUGUST 23.

[1949

Factories and Shops Acts.

DETERMINATION OF A WAGES BOARD ADJUSTED PURSUANT TO SECTION 21 OF THE FACTORIES AND SHOPS ACT 1934 (No. 4275).

I, Raymond Henry Beers, Secretary for Labour, in pursuance of the powers conferred by the Factories and Shops Acts, hereby make and issue the following adjusted Determination of the Wages Board referred to hereunder showing adjusted rates and prices to operate from the beginning of the first pay period to commence in August, 1949.

Dated at Melbourne, this
19th day of August, 1949.

RAY. H. BEERS,
Secretary for Labour.

POSTERHANGERS BOARD.

Clause 2 of the Determination published in *Government Gazette* No. 182 of the 2nd March, 1949, shall be replaced by the following clause:—

2.

Apprentices or Improvers.	Wages Per Week of 40 Hours.	Other Employees.	Wages Per Week of 40 hours
	<i>s. d.</i>		<i>s. d.</i>
1st six months' experience ..	51 6	Posterhangers or Billposters ..	148 0
2nd " " ..	59 6		
3rd " " ..	75 0		
4th " " ..	89 0		
5th " " ..	93 6		
6th " " ..	101 0		
PROPORTION.			
<i>Apprentices.</i>			
One apprentice to every three or fraction of three workers receiving not less than 148s. per week.			
<i>Improvers.</i>			
One improver to the first four or fraction of four workers and thereafter one improver to every five or fraction of five workers receiving not less than 148s. per week.			

Clauses, other than clause 2, of the said Determination shall remain in force.

By Authority: J. J. GOURLEY, Government Printer, Melbourne.

No. 729.—7816/49.—PRICE 3d.



VICTORIA
GOVERNMENT GAZETTE.

Published by Authority.

[Registered at the General Post Office, Melbourne, for transmission by post as a newspaper.]

No. 730]

TUESDAY, AUGUST 23.

[1949

Factories and Shops Acts.

**DETERMINATION OF A WAGES BOARD ADJUSTED PURSUANT TO SECTION 21 OF THE
FACTORIES AND SHOPS ACT 1934 (No. 4275).**

I, Raymond Henry Beers, Secretary for Labour, in pursuance of the powers conferred by the Factories and Shops Acts, hereby make and issue the following adjusted Determination of the Wages Board referred to hereunder showing adjusted rates and prices to operate from the beginning of the first pay period to commence in August, 1949.

Dated at Melbourne, this
19th day of August, 1949.

RAY. H. BEERS,
Secretary for Labour.

SAND PIT BOARD.

Clause 2 of the Determination published in *Government Gazette* No. 141 of the 12th March, 1948, shall be replaced by the following clause:—

WAGES.

2.

Apprentices and Improvers.		Other Employees.	
		Wages Per Week of 40 Hours.	
		<i>s.</i>	<i>d.</i>
Under 16 years of age	39 6	Leading hand in charge of four or more employees	139 0
" 17 " "	50 9	Powder monkey employed in sand pit ..	141 0
" 18 " "	62 3	Nozzleman	132 0
" 19 " "	74 0	Ploughman	132 0
" 20 " "	86 9	Tipman	132 0
" 21 " "	98 3	Scoopman	132 0
		Shoveller	132 0
		Shaft sinker	139 0
		Pneumatic pickman	137 0
		Junperman	137 0
		Pickman	132 0
		Drivers—	
		One horse	131 0
		Two horses	134 0
		Three horses	137 0
		Motor vehicle having maker's capacity of—	
		25 cwt. or less	137 0
		Over 25 cwt., but not over 3 tons ..	141 0
		Over 3 tons, but under 6 tons ..	144 0
		All others	128 0

Clauses, other than clause 2, of the said Determination shall remain in force.

By Authority: J. J. GOURLEY, Government Printer, Melbourne.



VICTORIA GOVERNMENT GAZETTE.

Published by Authority.

[Registered at the General Post Office, Melbourne, for transmission by post as a newspaper.]

No. 731]

TUESDAY, AUGUST 23.

[1949

Factories and Shops Acts.

DETERMINATION OF A WAGES BOARD ADJUSTED PURSUANT TO SECTION 21 OF THE FACTORIES AND SHOPS ACT 1934 (No. 4275).

I, Raymond Henry Beers, Secretary for Labour, in pursuance of the powers conferred by the Factories and Shops Acts, hereby make and issue the following adjusted Determination of the Wages Board referred to hereunder showing adjusted rates and prices to operate from the beginning of the first pay period to commence in August, 1949.

Dated at Melbourne, this
19th day of August, 1949.

RAY H. BEERS.
Secretary for Labour.

SAUSAGE CASINGS BOARD.

Clause 2 of the Determination published in *Government Gazette* No. 603 of the 21st July, 1949, shall be replaced by the following clause:—

2.

WAGES.

<i>Juvenile Workers.</i>								
							Per Week of 40 Hours.	
							Female Juveniles Employed at Selecting.	All Other Juvenile Workers.
							<i>s. d.</i>	<i>s. d.</i>
16 years of age or under	66 3	66 3
17 years of age	84 9	84 9
18 "	103 3	103 3
19 "	120 9	120 9
20 "	Adult female rate	153 0

							Per Week of 40 Hours.		
							Weekly Rate.	War Loading (Non-adjust- able).	Total Weekly Wage.
<i>Other Employees.</i>							<i>s. d.</i>	<i>s. d.</i>	<i>s. d.</i>
Females employed at selecting	147 0	4 0	151 0
Other persons employed at casing factories	184 0	4 0	188 0

Wages per Day.			
Monday to Friday, inclusive.			
	Daily Rate.	War Loading (Non- Adjustable).	Total Daily Wage.
	<i>s. d.</i>	<i>d.</i>	<i>s. d.</i>
Pullers-off and strippers	36 9½	9½	37 7½

Clauses, other than clause 2, of the said Determination shall remain in force.

By Authority: J. J. GOURLEY, Government Printer, Melbourne.



VICTORIA GOVERNMENT GAZETTE.

Published by Authority.

[Registered at the General Post Office, Melbourne, for transmission by post as a newspaper.]

No. 732]

WEDNESDAY, AUGUST 24.

[1949

PUBLIC HOLIDAYS.

PROCLAMATION

By His Excellency the Lieutenant-Governor of the State of Victoria and its Dependencies in the Commonwealth of Australia, &c., &c., &c.

IN pursuance of the provisions contained in Part III. of the *Public Service Act 1946* (10 Geo. VI. No. 5124), I, the Lieutenant-Governor of the State of Victoria, in the Commonwealth of Australia, by and with the advice of the Executive Council of the said State, do by this my Proclamation appoint the days and dates hereunder mentioned to be observed as Public Holidays or Public Half-Holidays (as the case may be) at the places respectively specified, viz.:—

Public Holidays:—

WEDNESDAY, THE 5TH DAY OF OCTOBER, 1949, throughout the Borough of Inglewood.

*WEDNESDAY, THE 5TH DAY OF OCTOBER, 1949, throughout the Shire of Warracknabeal.

TUESDAY, THE 1ST DAY OF NOVEMBER, 1949, throughout the Cities of Box Hill, Brighton, Brunswick, Camberwell, Caulfield, Chelsea, Coburg, Collingwood, Essendon, Fitzroy, Footscray, Hawthorn, Heidelberg, Kew, Malvern, Melbourne, Moorabbin, Mordialloc, Northcote, Nunawading, Oakleigh, Port Melbourne, Prahran, Preston, Richmond, St. Kilda, Sandringham, South Melbourne, and Williamstown; the Borough of Ringwood; the Shires of Bacchus Marsh, Berwick, Braybrook, Broadmeadows, Bulla, Cranbourne, Dandenong, Doncaster and Templestowe, Eltham, Fern Tree Gully, Frankston and Hastings, Gisborne, Keilor, Lillydale, Melton, Mornington, Mulgrave, Romsey, Werribee, and Whittlesea.

Public Half-Holiday from the Hour of Twelve o'clock noon:—

TUESDAY, THE 11TH DAY OF OCTOBER, 1949, throughout the Shire of Seymour.

* Agricultural Show.

Given under my Hand and the Seal of the State of Victoria aforesaid, at Melbourne, this twenty-third day of August, in the year of our Lord One thousand nine hundred and forty-nine, and in the thirteenth year of the reign of His Majesty King George VI.

(L.S.)

E. F. HERRING.

By His Excellency's Command,

W. WATT LEGGATT,

Chief Secretary.

GOD SAVE THE KING!

BANK HOLIDAYS.

PROCLAMATION

By His Excellency the Lieutenant-Governor of the State of Victoria and its Dependencies in the Commonwealth of Australia, &c., &c., &c.

IN pursuance of the provisions of the Banks and Currency Acts, I, the Lieutenant-Governor of the State of Victoria, in the Commonwealth of Australia, do by this my Proclamation appoint the days and dates named hereunder special days to be observed as Bank Holidays or Bank Half-Holidays (as the case may be) at the places respectively mentioned, that is to say:—

Bank Holiday:—

TUESDAY, THE 1ST DAY OF NOVEMBER, 1949, throughout the Cities of Box Hill, Brighton, Brunswick, Camberwell, Caulfield, Chelsea, Coburg, Collingwood, Essendon, Fitzroy, Footscray, Hawthorn, Heidelberg, Kew, Malvern, Melbourne, Moorabbin, Mordialloc, Northcote, Nunawading, Oakleigh, Port Melbourne, Prahran, Preston, Richmond, St. Kilda, Sandringham, South Melbourne, and Williamstown; the Borough of Ringwood; the Shires of Bacchus Marsh, Berwick, Braybrook, Broadmeadows, Bulla, Cranbourne, Dandenong, Doncaster and Templestowe, Eltham, Fern Tree Gully, Frankston and Hastings, Gisborne, Keilor, Lillydale, Melton, Mornington, Mulgrave, Romsey, Werribee, and Whittlesea.

Bank Half-Holidays from the Hour of Twelve o'clock noon:—

THURSDAY, THE 8TH DAY OF SEPTEMBER, 1949, at Hamilton.

THURSDAY, THE 15TH DAY OF SEPTEMBER, 1949, at Natimuk.

TUESDAY, THE 18TH DAY OF OCTOBER, 1949, at Rainbow.

Given under my Hand and the Seal of the State of Victoria aforesaid, at Melbourne, this twenty-third day of August, in the year of our Lord One thousand nine hundred and forty-nine, and in the thirteenth year of the reign of His Majesty King George VI.

(L.S.)

E. F. HERRING.

By His Excellency's Command,

W. WATT LEGGATT,

Chief Secretary.

GOD SAVE THE KING!

APPOINTMENTS.

HIS Excellency the Lieutenant-Governor of the State of Victoria, by and with the advice of the Executive Council thereof, has, by Orders made on the 16th day of August, 1949, been pleased to make the under-mentioned appointments, viz.:—

DEPARTMENT OF CHIEF SECRETARY.

Licensing Inspectors.

ARTHUR EDMOND SHIELDS, Superintendent of Police, pursuant to the provisions of the Licensing Acts, to be a Licensing Inspector for each and every Licensing District in the State of Victoria, *vice* Leslie William Abley, resigned; and

EDMUND CYPRIAN CAHILL, Inspector of Police, pursuant to the provisions of the Licensing Acts, to be a Licensing Inspector for each and every Licensing District in the State of Victoria, *vice* Arthur Edmond Shields, resigned.

Member of the Premiums Committee.

HOWARD FRANCIS WILLIAM DAWSON, LL.B., Dip. Com., the Insurance Commissioner, under Part II. of the *Motor Car (Third-Party Insurance) Act 1939*, to be a member of the Premiums Committee, pursuant to the provisions of section 32 of the said Act, for the period ending the 20th June, 1952, *vice* John Patrick Dynon, resigned.

Member of the Street Traders Licences Board.

JAMES PATRICK DEVINE, an officer of the Children's Welfare Department, to be a member of the Street Traders Licences Board, in place of John Joseph Gleeson, during his absence on leave.

Registrar of Births and Deaths.

RALPH DAVISON, pursuant to the provisions of section 4 of the *Registration of Births Deaths and Marriages Act 1928*, to be Registrar of Births and Deaths at Dunolly, to date from the commencement of duty, with fees, *vice* Marie E. Shiell, resigned.

Assistants to the Inspector of Fisheries.

GEORGE BRYCE MORRIS, and CHARLES GARTLY BRUCE KEAY, pursuant to the provisions of the Fisheries Acts, to be Assistants to the Inspector of Fisheries.

Returning Officer.

FRANCIS EDWARD KEAVY to be a Returning Officer for the Electoral District of Benalla, *vice* Eric Clement Bates, resigned.

DEPARTMENT OF EDUCATION.

Member of Teachers' Tribunal.

Brigadier WILLIAM EDWARD CREMOR, C.B.E., E.D., B.A., Dip. Ed., to be a member of the Teachers' Tribunal, who shall represent the Government of Victoria, as from and including the nineteenth day of August, 1949, in pursuance of the powers conferred by the *Teaching Service Act 1946* (No. 5125).

DEPARTMENT OF LAW.

Bailiffs of County Courts.

OLIVER CROMWELL MASON, First Constable of Police, Pyramid, to be also a Bailiff of the County Court at Kerang, *vice* H. W. G. Birthisel, resigned; and

JOHN CHARLES HENRY QUILL, Senior Constable of Police, Nyah West, to be also a Bailiff of the County Court at Kerang, *vice* A. L. Freeman, resigned.

Clerk of Petty Sessions, &c.

JAMES LESLIE MCGAAN to be also Clerk of Petty Sessions and Clerk of the Children's Court at Lancefield, *vice* W. C. Seton, resigned.

Clerk of the Metropolitan Industrial Court, &c.

JAMES GEORGE GOFF to be also Clerk of the Metropolitan Industrial Court at Melbourne, *vice* F. C. P. Hill, retired; and to be also Collector for Interstate Destitute Persons, pursuant to the provisions of section 69 of the *Maintenance Act 1928*, *vice* F. C. P. Hill, retired, to take effect as from and inclusive of the 25th July, 1949.

Commissioners for Taking Declarations, &c.

MAXWELL ROBINSON CASSIDY, 18 Dovehan-street, Castlemaine,
VICTOR GUILDFORD DELMENICO, 90 Lyttleton-street, Castlemaine,
DENNIS LOVEGROVE, 30 Station-street, Carlton,
KATIE RICHARDS, 20 Church-street, Stawell,
ALBERT JAMES SHEEHAN, 62 Elizabeth-street, North Richmond,
HAROLD WILLIAM TRIGGER, 372 Burnley-street, Richmond,
MALCOLM ARTHUR JACK WESTFOLD-SCOTT, 239 Collins-street, Melbourne, and
VALENTINE RUDOLPH WILCKENS, 143 Simpson-street, East Melbourne,

to be Commissioners for taking Declarations and Affidavits, under the provisions of Division 8 of Part IV. of the *Evidence Act 1928*, to resign upon removing from the neighbourhood of the addresses stated; and

KEVIN JOSEPH GLYNN, and
THOMAS GEORGE DAY,
Trust Officers, Office of the Public Trustee, Melbourne,

to be Commissioners for taking Declarations and Affidavits, under the provisions of Division 8 of Part IV. of the *Evidence Act 1928*, to refrain from charging fees, and to resign upon ceasing to occupy their present positions.

Deputy Prothonotary, &c.

CHARLES EDGAR ELVISH to be also Deputy Prothonotary, Deputy Clerk of the Peace, Registrar of the County Court, Clerk of the Court of Mines, Clerk of Petty Sessions, and Clerk of the Children's Court at Ballarat, in the place of C. Brumby, promoted; and as Deputy Clerk of the Peace and Registrar of the County Court at Ballarat, to be appointed by virtue of section 92 of the *Juries Act 1928*, to do and perform with respect to the courts at that place, in the place and stead of the Sheriff, all such acts and things as the Sheriff is, by the said Act, authorized or required to do or perform, in the place of C. Brumby, promoted.

Magistrates.

FRANK REDVEST POPE, Junorton, to Keep the Peace in the Midland Bailiwick of the State of Victoria;
HERBERT ADDISON LUMB, Bannockburn, to Keep the Peace in the Southern Bailiwick of the State of Victoria;
JOHN ALLEN RUSSELL, Nurrabel, to Keep the Peace in the Western Bailiwick of the State of Victoria; and
GEORGE ALBERT HOBBS, Bullengarook, to Keep the Peace in the Central Bailiwick of the State of Victoria.

Officer Authorized to Attest Instruments, &c.

NORMAN RICHARD GROWSE, an officer of the Union Bank of Australia Limited, Melbourne, to be authorized to attest instruments and powers of attorney under the said Act, signed by any person within the limits of Victoria, pursuant to the provisions of section 191 of the *Transfer of Land Act 1928*.

STATE ELECTRICITY COMMISSION OF VICTORIA.

Chairman and Commissioner.

RALPH ALEC HUNT, D.S.O., B.C.E. (Melb.), M.I.E. (Aust.), to be Chairman and a Commissioner of the State Electricity Commission of Victoria for a period of seven years, commencing on the 1st day of September, 1949, pursuant to the State Electricity Commission Acts.

General Manager.

RALPH ALEC HUNT, D.S.O., B.C.E. (Melb.), M.I.E. (Aust.), to be General Manager of all the undertakings of the State Electricity Commission of Victoria for a term of seven years, commencing on the 1st day of September, 1949, and to hold the office only while he is Chairman of the Commission, pursuant to section 31 of the *State Electricity Commission Act 1928*.

Deputy of Commissioner.

JAMES ADAM LOUIS MATHESON, M.B.E., M.Sc. (Manch.), Ph.D. (Birm.), M.C.E., A.M.I.C.E., A.M.I.Struc.E., M.I.E. (Aust.), to act as the deputy of Albert William Henderson, a Commissioner of the State Electricity Commission of Victoria, during the absence of the said Albert William Henderson for the period commencing on the 1st day of September, 1949, and ending on the 31st day of October, 1949, pursuant to the State Electricity Commission Acts.

DEPARTMENT OF WATER SUPPLY.
Member of Sewerage Authority.

JOSEPH CURRAN
to be a member of the Dandenong Sewerage Authority, and to hold office as such for a period of four years, dating from the 11th September, 1949, his present term of office expiring on the 10th September, 1949, subject to the provisions of the Sewerage Districts Acts.

Waterworks Trust Commissioner.

PATRICK FRANCIS MAHER
to be a Commissioner of the Kilmore Waterworks Trust, vice Leslie William Daldy, resigned, and to hold office as such from the date hereof until the 22nd day of July, 1950, subject to the provisions of the Water Acts.

A. MAHLSTEDT,
Clerk of the Executive Council.

At the Executive Council Chamber,
Melbourne, 16th August, 1949.

RESIGNATIONS.

HIS Excellency the Lieutenant-Governor of the State of Victoria, by and with the advice of the Executive Council thereof, has, by Orders made on the 16th day of August, 1949, accepted the resignations of the persons named hereunder of the offices mentioned, viz.:—

DEPARTMENT OF CHIEF SECRETARY.

JOHN PATRICK DYNON, as a member of the Premiums Committee, appointed pursuant to the provisions of the *Motor Car (Third-Party Insurance) Act 1939*, to date from and inclusive of the 1st August, 1949.

MARIE E. SHIELL, as Registrar of Births and Deaths at Dunolly.

DEPARTMENT OF LAW.

WILLIAM CHARLES SETON, from the position of Clerk of Petty Sessions (acting) at Lancefield.

HERBERT WILLIAM GEORGE BIRTHISEL, as a Bailiff of the County Court at Kerang.

ARTHUR LAWRENCE FREEMAN, as a Bailiff of the County Court at Kerang.

DEPARTMENT OF PREMIER.

Lieutenant-Colonel JOHN ALEXANDER HIPWORTH, E.D., M.L.A., as a member of the State Development Committee, pursuant to the provisions of the State Development Acts.

A. MAHLSTEDT,
Clerk of the Executive Council.

At the Executive Council Chamber,
Melbourne, 16th August, 1949.

DEPARTMENT OF LANDS AND SURVEY.

SALE OF LAND BY AUCTION ANNULLED.

HIS Excellency the Lieutenant-Governor of the State of Victoria, by and with the advice of the Executive Council thereof, doth by an Order made on the 16th day of August, 1949, hereby annul the sale of the under-mentioned Crown land, in pursuance of the conditions under which such allotment was offered for sale by public auction.—(Corres. No. J27391):—

Date of sale.—26th July, 1949.

Place of sale.—Ballarat.

Lot.—1.

Allotment.—11.

Section.—46.

Parish.—At Ballarat East, City of Ballarat, Parish of Ballarat.

County.—Grant.

A. MAHLSTEDT,
Clerk of the Executive Council.

At the Executive Council Chamber,
Melbourne, the 16th August, 1949.

ANNUAL LICENCE.

A LICENCE to carry on in Victoria, from 26th July, 1949, to 31st December, 1949, fire, marine, and fidelity guarantee insurance business was issued to the under-mentioned company on 15th August, 1949:—

T. P. CLARK AND Co. PTY. LTD.

W. E. CAMIER,
Comptroller of Stamps.

Chief Office for Stamp Duties,
283 Queen-street, Melbourne, C.I.

SHIRE OF BAIRNSDALE.

IN pursuance of the powers conferred by sections 521 and 525 of the *Local Government Act 1946*, the Council of the Shire of Bairnsdale doth hereby order that the land next hereunder described shall be a public highway from and after the date of the publication of this Order in the *Government Gazette*:—

All that piece of land, being part of Crown allotment 5, section B, Parish of Bullumwaal, County of Dargo: Commencing at a point north 89 deg. 30 min. east 1,104.8 links, from the south-west corner of Crown allotment 5; thence north 76 deg. 44 min. west 1,073.6 links; thence north 38 deg. 45 min. west 428.6 links; thence north 81 deg. 15 min. east 115.5 links; thence south 38 deg. 45 min. east 336.5 links; thence south 76 deg. 44 min. east 1,447.4 links; thence south 89 deg. 30 min. west 420.2 links to commencement point.

And the said Council doth hereby declare that the lands above described shall from the said date of the publication in the *Government Gazette* be a public highway, in lieu of the lands next hereinafter described:—

All that piece of land, being part of a Government road, in the Parish of Bullumwaal, County of Dargo: Commencing at the south-west corner of Crown allotment 5, section B, Parish of Bullumwaal, County of Dargo, and proceeding north 89 deg. 30 min. east 1,104.8 links; thence south 76 deg. 44 min. east 420.2 links; thence south 89 deg. 30 min. west 1,570.5 links; thence north 30 deg. 37 min. west 760.7 links; thence north 81 deg. 15 min. east 107.8 links; thence south 30 deg. 37 min. east 663 links to commencement point.

In witness whereof the common seal of the President, Councillors, and Ratepayers of the Shire of Bairnsdale was hereto affixed this 13th day of July, 1949:—

DONALD M. CAMERON, Councillor.
(SEAL) FRANK HOLLOWAY, Councillor.
E. LLOYD BRINDLEY, Secretary.

Confirmed by the Governor in Council,
16th August, 1949.

A. MAHLSTEDT,
Clerk of the Executive Council.

SHIRE OF HEYTESBURY.

ROAD EXCHANGE.

IN pursuance of the powers conferred by sections 521 and 525 of the *Local Government Act 1946*, the Council of the Shire of Heytesbury doth hereby order that the lands hereunder described which have been acquired by it shall be a public highway from and after the date of the publication of this Order in the *Government Gazette*, viz.:—

All that piece of land, being part of Crown allotments 45A and 45C, in the Parish of Pomborneit, County of Heytesbury, commencing at a point on the western boundary of the said Crown allotment 45A, bearing north 0 deg. 33 min. west and distant 284.2 links from the south-west angle of the said Crown allotment 45C; thence north 0 deg. 33 min. west 123.7 links; thence south 54 deg. 27 min. east 1,035.8 links; thence south 43 deg. 36 min. east 168 links; thence north 71 deg. 41 min. west 231 links; thence north 54 deg. 27 min. west 907.4 links to the commencing point.

And the said Council doth hereby declare that the land above described shall, from the date of the said publication in the *Government Gazette*, be a public highway in lieu of the land hereinafter described, viz.:—

All that piece of land, commencing at the south-western corner of the said allotment 45C; thence by a line bearing south 71 deg. 41 min. east 774.4 links; thence south 54 deg. 27 min. east 46 links; thence south 43 deg. 32 min. east 291 links; thence north 71 deg. 41 min. west 1,022.4 links; thence north 0 deg. 33 min. west 158.4 links to the commencing point.

Dated the fourteenth day of April, One thousand nine hundred and forty-nine.

Order confirmed at meeting of the Council of the Shire of Heytesbury, held at Cobden on the fourteenth day of April, One thousand nine hundred and forty-nine.

The common seal of the President, Councillors, and Ratepayers of the Shire of Heytesbury was hereunto affixed, in the presence of—

G. H. WILTSHIRE, President.
(SEAL) L. W. ORTON, Councillor.
W. J. HOLTON, Secretary.

Confirmed by the Governor in Council,
16th August, 1949.

A. MAHLSTEDT,
Clerk of the Executive Council.

Transport Regulation Acts.
TRANSPORT REGULATION BOARD.
NOTICES OF PUBLIC HEARINGS.

NOTICE is hereby given that the applications made by the persons named below for licences to operate the commercial goods vehicles on the route or routes, or in a manner set out opposite their names, will be heard at a time and place to be communicated to the parties concerned:—

Name and Address; Nature of Application.

- ANDERSSON, O. A., 18 Hayle-street, Morwell; 1 commercial goods vehicle (12 cwt.) for the carriage of tools of trade and electrical fittings throughout the State of Victoria, in the course of business as "electrical contractor" under contract to the State Electricity Commission, Jennings Construction Co. (for Housing Commission).
- ATTENBOROUGH, A. K., 826 Glenhuntly-road, Carnegie; 1 commercial goods vehicle (100 cwt.) for the carriage of road contracting plant and material throughout the State of Victoria.
- COWAN, J. J., Private Bag 13, Colac; 1 commercial goods vehicle (100 cwt.) for the carriage of road contracting plant and material throughout the State of Victoria.
- DAY BROS., 2 Oliver-street, Ballarat; 1 commercial goods vehicle (60 cwt.) for the carriage of road contracting plant and material throughout the State of Victoria.
- RODDA, P. E. (trading as "Gippsland Tile Works"), Sale; application for variation of licence No. D.5103 to delete all present rights and include the carriage of own manufactured tiles within a radius of 70 miles of Sale and to and from Orbost.
- HOLLOWAY, E. G. & A. W., Wodonga; 1 commercial goods vehicle (200 cwt.) for the carriage of—(a) logs from any forest landing in the Shelley area direct to holder's own mill at Shelley, (b) sawn timber from holder's own sawmills at Shelley to consignees at Albury, Wodonga, Yackandandah, Bethanga, S.E.C. Bogong, Nariel, and Tallangatta Valley.
- KRAFT WALKER CHEESE COMPANY PTY. LTD., Riverside-avenue, South Melbourne; 1 commercial goods vehicle (200 cwt.) to operate between Melbourne and factories at Leitchville, Drouin, Allansford, and Garvoc for the carriage of bulk cheese to Melbourne, and factory supplies, including petrol for use in collection, and finished products to country depots en route on the return journey.
- KRAMME, M. I., & C. T. TOOGOOD (trading as "Kramme and Co.," Johnsonville; 1 commercial goods vehicle (160 cwt.), for the carriage of—(a) general goods within 20 miles radius of Johnsonville, (b) live stock and furniture within 50 miles radius of Johnsonville.
- LOWE, J. E. F., Peg Leg-road, Eaglehawk; 1 commercial goods vehicle (12 cwt.) to operate in the course of business as "grocer"—(a) own groceries within 30 miles radius of Eaglehawk, (b) own groceries between Eaglehawk and Nathalia, and Eaglehawk and Melbourne, (c) own canned goods from Kyabram and Shepparton to Eaglehawk.
- MCGILTON, J. A., Box 65, Warragul; 1 commercial goods vehicle (12 cwt.) for the carriage of urgent hardware supplies and caskets between Warragul and the Cities of Melbourne and Geelong in the course of business as "timber, hardware merchants, and funeral directors"—one trip per week.
- SHAW, A. T., 34 York-street, Caulfield; 1 commercial goods vehicle (78 cwt.) for the carriage of—(a) general goods within 25 miles radius of Melbourne, (b) washed sand for use by builders, tile makers, and plasterers from Cardinia to Melbourne.
- SHEPHERD, J. V., Scotts Creek, via Cobden; 1 commercial goods vehicle (90 cwt.) for the carriage of—(a) general goods within 20 miles radius of Scotts Creek, (b) road contracting plant and material within 50 miles radius of Scotts Creek.
- THOMPSON, A. J., High-street, Mansfield; 2 commercial goods vehicles (100 and 175 cwt.) for the carriage of—(a) general goods within 20 miles radius of Mansfield, (b) bricks, roofing tiles, weatherboards, flooring, joinery, and plumbers' supplies from Shepparton to Mansfield, Wangaratta to Mansfield, and Alexandra to Mansfield, (c) petroleum products from Neptune Oil Co. Depot at Seymour to Mansfield, (d) furniture within 50 miles radius of Mansfield.
- WALKER, A. C., Noradjuha; 1 commercial goods vehicle (15 cwt.) for the carriage of general goods including malls from and to Noradjuha to and from Harrow,

WALKER, CHAS. R., & SON; 16 Lyon-street, Essendon; 1 commercial goods vehicle (15 cwt.) for the carriage of confectionery in the course of business as "confectionery distributors" within an area bounded by the following places:—Geelong, Cressy, Colac, Forrest, and Lorne.

WHELAN, N. C., Forrest; 1 commercial goods vehicle (100 cwt.) for the carriage of—(a) general goods within 20 miles radius of Forrest, (b) live stock and furniture within 50 miles radius of Forrest.

NOTICE is hereby given that the applications made by the persons named below for renewal of licences to operate the commercial goods vehicles in the manner set out hereunder, the numbers of which are also set out in each case, will be heard at a time and place to be communicated to the parties concerned:—

Name and Address; Present Franchise; Licence No.; Date of Expiry.

- HENNESSEY, T. P., Dorset-road, Croydon; road contracting plant and material throughout the State of Victoria; D.3980; 5th May, 1949.
- P. M. H. TRADING CO. PTY. LTD., 1 Drill-street, Hawthorn; throughout the State of Victoria, in the course of business as "manufacturers and distributors of artificial flowers, neckwear, and fashion accessories"—samples of drapery up to a total weight not exceeding 10 cwt., and artificial flowers for display and sale to retail stores; TD.7212; 24th August, 1949.

NOTICE is hereby given that the applications made by the persons named below for licences to operate the commercial passenger vehicles on the route or routes, or in the manner set out opposite their names, will be heard at a time and place to be communicated to the parties:—

Name of Applicant; Nature of Application.

- WILLIAMS, P. G., Clarke-road, Springvale; 1 commercial passenger vehicle, to be purchased, with seating capacity for 5 persons, to operate as follows:—(a) Separate and distinct fares within a 5 miles radius of Springvale, (b) under private hire conditions within a 50 miles radius of Springvale.
- PLUMMER, C., Springvale-road, Springvale; 1 commercial passenger vehicle, with seating capacity for 5 persons, to operate as follows:—(a) Separate and distinct fares within a 5 miles radius of Springvale, (b) under private hire conditions within a 50 miles radius of Springvale (subject to the cancellation of licence No. P.H.359, at present held by the applicant).
- CORLETT, J. J., Ash-grove, Springvale; 1 commercial passenger vehicle, with seating capacity for 5 persons, to operate as follows:—(a) Separate and distinct fares within a 5 miles radius of Springvale, (b) under private hire conditions within a 50 miles radius of Springvale (subject to the cancellation of licence No. P.H.19, at present held by the applicant).
- WILSON, J. B., Springvale Motors, 45-57 Springvale-road, Springvale; 1 commercial passenger vehicle, with seating capacity for 5 persons, to operate otherwise than at separate and distinct fares from Springvale to places throughout Victoria.
- ALDERSON, W. C., 111 Main-street, Mornington; 1 commercial passenger vehicle, with seating capacity for 5 persons; to operate as follows:—(a) Separate and distinct fares within the Shire of Mornington, (b) under private hire conditions within a 50 miles radius of Mornington (subject to the cancellation of licence No. P.H.922, at present held by the applicant).
- HANDLEY, Mrs. C. F., Bacchus Marsh; 1 commercial passenger vehicle, with seating capacity for 10 persons, to operate for the carriage only of employees of Imperial Chemical Industries of Australia and New Zealand Limited between Bacchus Marsh and Deer Park, in accordance with shift worked by the company.
- LAMBORN, W. H., King Edward-street, Cohuna; 1 commercial passenger vehicle, with seating capacity for 4 persons, to operate as follows:—(a) Separate and distinct fares within a 5 miles radius of Cohuna Railway Station, (b) under private hire conditions within a 50 miles radius of Cohuna Railway Station (subject to the cancellation of licence No. P.H.765, at present held by the applicant).

LATROBE VALLEY BUS LINES PTY. LTD., 66-68 Princes-street, Traralgon: application for variation of "A" licences to include the ability to operate a shopping trip between Derham's Hill and Warragul, via Morwell, on Thursdays only, with the proviso that no passengers other than those picked up between Derham's Hill and Morwell shall be carried. Depart Derham's Hill 9.30 a.m., depart Warragul 3.45 p.m. Fare, 5s. return.

MAHER, A. A., Poowong; 1 commercial passenger vehicle, with seating capacity for 19 persons, to operate for the carriage only of school children on a round route of Poowong, via Ranceby, Bell View, and Poowong South, and under charter conditions within a 20 miles radius of Poowong Post Office.

MURRAY VALLEY COACHES LTD., 422 Collins-street, Melbourne; application for variation of all "A" licences to include the ability to operate as follows:—(a) Between Echuca and Numurkah, via Shepparton, on Tuesdays, Thursdays, and Saturdays only, depart Echuca 11.20 a.m., depart Numurkah 12.5 p.m., fare 10s. 6d. single, (b) between Echuca and Albury, via Shepparton, on Tuesdays, Thursdays, and Saturdays only, depart Echuca 7 a.m., depart Albury 3 p.m., fare 28s. single.

LITTLE, B. J. & L. (trading as Sale Bus Service and Gippsland Scenic Tours), 9 Macalister-street, Sale; 1 commercial passenger vehicle, with seating capacity for 33 persons, to operate for the carriage of passengers, mails, and newspapers between Sale and Warragul, via Maffra.

Time-table.

Monday to Friday.

Depart Sale 3 a.m.
Depart Warragul 6 p.m.

Saturdays.

Depart Sale 3 a.m.
Depart Warragul 4 p.m.

LITTLE, B. J. & L. (trading as Sale Bus Service and Gippsland Scenic Tours), 9 Macalister-street, Sale; 1 commercial passenger vehicle, with seating capacity for 31 persons, to operate as follows:—(a) Between Sale and Melbourne, via Prince's Highway and Rosedale, thence via Gormandale and Buttner's Saddle, thence along the Grand Ridge-road, via Bulga Park, Balook, Boolarra South, Mirboo, North Halston, Seaview, Strezlecki, and Ranceby, thence to and along the South Gippsland Highway, via Lang Lang and Dandenong, (b) to continue to operate under the same terms and conditions as licence No. A.2204, held by the applicant (subject to the cancellation of licence No. A.2204, at present held by the applicant).

SOUTER, E. W. & J. V. (trading as "Souters"), 30. McIvor-road, Bendigo; 1 commercial passenger vehicle, with seating capacity for 11 persons, to operate as an additional vehicle on licensed route between Seymour and Bendigo, via Heathcote.

WATERTON, H. W., Jamieson-street, Daylesford; 1 commercial passenger vehicle, to be purchased, with approximate seating capacity for 5 persons, to operate as follows:—(a) Under private hire conditions from Daylesford to any place throughout Victoria, (b) as a substitute vehicle to licence No. A.189, at present held by the applicant.

WATERTON, H. W., Jamieson-street, Daylesford; application for variation of licence No. A.2172 to include the ability to operate as follows:—(a) On day and half-day round tours from Daylesford to—(1) Trentham, fare 7s., (2) Mt. Franklin, fare 6s., (3) Central Springs, fare 1s., (4) Mt. Macedon, fare 15s., (5) Vaughan Springs, fare 8s., (6) Vaughan Springs, via Denyer, fare 10s., (7) Jubilee Lake, fare 2s., (8) Sailor's Falls, fare 3s., (9) Blow Hole, fare 3s., (10) Deep Creek Springs, fare 4s. 6d., (11) Sparzo Creek, fare 7s. 6d., (12) Ballarat, fare 12s. 6d., (13) Bendigo, fare 20s., (14) Castlemaine, fare 10s., (15) Bullarto Reservoir, fare 4s. 6d., (16) Leigh Creek Springs, fare 2s. 6d., (17) Blackwood, fare 12s. 6d., (18) Maryborough, via Newstead, fare 15s., (19) Maryborough, via Newstead, returning via Clunes and Kingston, fare 17s. 6d., (b) between Daylesford and Eganstown, (c) for the carriage of employees of Daylesford Woollen Mills to and from Daylesford from and to Hepburn Springs.

WATERTON, H. W., Jamieson-street, Daylesford; 1 commercial passenger vehicle, to be purchased, with seating capacity for 31 persons, to operate for the carriage only of employees of the Daylesford Woollen Mills from and to any point in the Borough of Daylesford to and from Hepburn Springs, and as a substitute vehicle to licence No. A.2172, at present held by the applicant.

APPLICATIONS for licences to operate commercial passenger vehicles, with seating capacity for five persons, for the carriage of passengers otherwise than at separate and distinct fares for each passenger throughout Victoria:—

BRIGHT, G., Dandenong.
CLARKE, L. A., Hampton.
COAKES, G. W. F., Croydon.
DAVEY, E. A. V., Boronia.
MANLEY, D. S., Yarragon.
GANCE, A. J., Fitzroy.

Notices of any objection should be forwarded to reach the Secretary to the Board not later than Wednesday, 7th September, 1949.

E. V. FIELD,
Secretary.

Exhibition Buildings, Rathdown-street, Carlton, N.3,
23rd August, 1949.

GEELONG WATERWORKS AND SEWERAGE TRUST.

BY-LAW NO. 80.

A By-law for Making and Levying the Rates for the Year Commencing on the First day of July, 1949.

GEELONG Waterworks and Sewerage Trust (hereinafter called "the Trust"), in pursuance of and in exercise of the powers and authorities conferred on such Trust by the *Geelong Waterworks and Sewerage Act 1928*, and of any other powers and authorities in any wise enabling the said Trust in that behalf, doth hereby make the By-law for the area supplied with water by the Geelong Water Supply Works or any extension of such works.

1. The following rates are hereby made and shall be levied upon the occupiers or owners of lands and tenements liable to be rated within the said area and supplied with water for domestic purposes:—

- On any tenement (other than land on which there is no building), the annual valuation whereof does not exceed £17, Twenty shillings per annum.
- On any such tenement; the annual valuation whereof exceeds £17, One shilling and three pence in the pound of the amount of the annual valuation.
- On any land (on which there is no building), the annual valuation whereof does not exceed £4, Five shillings per annum.
- On any such land (on which there is no building), the annual valuation whereof exceeds £4, One-shilling and three pence in the pound of the amount of the annual valuation.

2. Such rates are made and shall be levied for the year beginning with the first day of July, 1949, and ending with the thirtieth day of June, 1950, and shall be payable in two equal payments on the thirty-first day of August, 1949, and the first day of January, 1950.

3. Such persons as the Trust may from time to time appoint for that purpose shall be and are hereby authorized to demand, receive, collect, sue for, and recover the said rates.

4. For making and levying such rates within the said area, the valuation for the time being of all lands and tenements for the municipal rate of the municipality in the municipal district of which such lands and tenements are situate shall be deemed and taken to be the valuation of such lands and tenements respectively; but if any such lands and tenements are not included in a valuation in force for the municipality in whose district they are situate, or if there is no such valuation, the net annual value thereof may for all the purposes for such rate be determined, in accordance with the provisions of the Local Government Acts, by the Council of such municipality on the written application of the Trust, as provided for in such case by the Water Acts.

The foregoing By-law was made and passed by the Geelong Waterworks and Sewerage Trust on the tenth day of August, 1949, and the common seal of the said Trust hereunto affixed, in the presence of—

G. NEUNHOFFER, Chairman.
(SEAL) J. CARR, Commissioner.
B. C. HENSHAW, Secretary.

Approved by the Governor in Council,
16th August, 1949.

A. MAHLSTEDT,
Clerk of the Executive Council.

AUCTION SALES ACT 1928.

LIST of Persons to whom Auctioneers' Licences have been issued during the month of July, 1949.

Name.	Address.	Date of Issue.
Chapman, T. R. P.	117 Sturt-street, Ballarat	28.7.49
Brooker, V. G. A.	3 Rosebank-avenue, Strathmore	28.7.49
Burnham, J. C.	24 Nash-street, Northcote	22.7.49
Cohen, A. R.	115 Oakleigh-road, Carnegie	27.7.49
Geyer, R. F.	124 Rowell-avenue, Camberwell	29.7.49
Matthews, A. J. R.	59 Vine-street, Moonee Ponds	29.7.49
McCasker, A. J.	Flat 3, 55 Spencer-street, St. Kilda	27.7.49
McKinley, J. H.	39 Lubrano-street, East Brighton	8.7.49
Smith, C. L. J.	45 Park-street, South Yarra	29.7.49
*Clark, J. H.	Mollison-street, Kyneton	25.7.49
†Hume, G. McN., junr.	33 Iona-street, Black Rock	4.7.49
Gray, E. G.	Swan Hill	6.7.49
Jess, J. A.	Yarrawonga	1.7.49
Vincent, R.	Wodonga	20.7.49

* By transfer from F. M. Hancock.

† By transfer from G. McN. Hume, senr.

The Treasury,
Melbourne, 18th August, 1949.A. T. SMITHERS,
Director of Finance.

BUSINESS AGENTS ACT 1930.

IN accordance with the provisions of the above-mentioned Act, the following is published for general information:—

(a) List of Business Agents' Licences issued during the month of July, 1949.

Name.	Principal Place of Business (Registered Office).	Name of Firm or Partnership.	Date from which Licence is Effective.
Australian Mercantile Land and Finance Co. Ltd. (R. J. Mason, nominee)	122 William-street, Melbourne	1.7.49
Barnett, E. A.	117 Greville-street, Prahran	Barnett's Estate Agency	1.7.49
Barnett, J. A.	117 Greville-street, Prahran	Barnett's Estate Agency	1.7.49
Bowman, G. E.	41 Hesse-street, Queenscliff	J. A. Dellaca and G. E. Bowman	18.7.49
Byrne, M. A.	90 Queen-street, Melbourne	4.7.49
Crawford, J. E.	Station-street, Pakenham East	A. H. Witham	28.7.49
Doherty, V. J.	82 Madeline-street, East Preston	6.7.49
Gebert, S. R.	Lower Fern Tree Gully	Rowles and Gebert	29.7.49
Hellier, L. J.	Mentone-parade, Mentone	6.7.49
Kelly, A. T.	19 Wawunna-road, Horsham	27.7.49
Kensley, J. M.	Tecoma and Upwey	1.7.49
Leo, B. J.	Lakes Entrance	15.7.49
Madigan, K. A.	18 Springvale-road, Springvale	11.7.49
Masters, V. O.	376 Flinders-lane, Melbourne	5.7.49
Munro, W. W.	284 Collins-street, Melbourne	Holiday Booking Office	26.7.49
Osborne, L.	San Remo	29.7.49
Realhome Estates Pty. Ltd. (R. Gurnett, nominee)	37 St. George's-crescent, East Malvern	22.7.49
Rogers, D. R.	229 Collins-street, Melbourne	V. G. Green and Co.	6.7.49
Rowles, A. A.	Lower Fern Tree Gully	Rowles and Gebert	29.7.49
Ryan, E. E.	530 Sydney-road, Brunswick	Crisp, Woods and Co.	20.7.49
Stewart, H. J. B.	Warburton	7.7.49
Tyack, J. W.	30 Rothesay-avenue, Elwood	5.7.49
Williams, E. F.	317 Collins-street, Melbourne	22.7.49

(b) List of Business Sub-Agents' Licences issued during the month of July, 1949.

Name.	Registered Address.	Date from which Licence is Effective.
Budgeon, E. C.	1221 Malvern-road, Malvern	1.7.49
Cassidy, J.	Rowe-street, Ouyen	22.7.49
Male, J. M.	Woods-street, Donald	22.7.49
Morris, G. F.	293 Myers-street, East Geelong	1.7.49
Soullin, C. D.	85 Collins-street, Mentone	27.7.49

The Treasury,
Melbourne, 18th August, 1949.R. STAFFORD,
Registrar.

REAL ESTATE AGENTS ACTS.

IN accordance with the provisions of the above-mentioned Acts, the following is published for general information:—

(a) List of Real Estate Agents' Licences issued and transferred during the month of July, 1949.

Name.	Principal Place of Business (Registered Office).	Name of Firm or Partnership.	Date from which Licence is Effective.
Barker, G. E.	240 Exhibition-street, Melbourne		1.7.49
Barnett, E. A.	117 Greville-street, Prahran	Barnett's Estate Agency	1.7.49
Barnett, J. A.	117 Greville-street, Prahran	Barnett's Estate Agency	1.7.49
Bowman, G. E.	41 Hesse-street, Queenscliff	J. A. Dellaca and G. E. Bowman	18.7.49
Byrne, M. A.	90 Queen-street, Melbourne		4.7.49
Crawford, J. E.	Station-street, Pakenham East	A. H. Witham	28.7.49
Doherty, V. J.	82 Madeline-street, East Preston		6.7.49
Dowling, J. E.	422 Collins-street, Melbourne		20.7.49
Gebert, S. R.	Lower Fern Tree Gully	Rowles and Gebert	29.7.49
Kelly, A. T.	19 Wawunna-road, Horsham		27.7.49
Kensley, J. M.	Tecoma and Upwey		1.7.49
Leo, B. J.	Lakes Entrance		1.7.49
Madigan, K. A.	18 Springvale-road, Springvale		11.7.49
Masters, V. O.	376 Flinders-lane, Melbourne		5.7.49
Munro, W. W.	284 Collins-street, Melbourne	The Holiday Booking Office	26.7.49
Murray Constructions Pty. Ltd. (A. T. Power, nominee)	120 Campbell-street, Swan Hill		8.7.49
Osborne, L.	San Remo		29.7.49
Rogers, D. R.	229 Collins-street, Melbourne	V. G. Green and Co.	6.7.49
Rowles, A. A.	Lower Fern Tree Gully	Rowles and Gebert	29.7.49
*Ryan, E. E.	530 Sydney-road, Brunswick	Crisp, Woods and Co.	20.7.49
Tyack, J. W.	30 Rothesay-avenue, Elwood		5.7.49
Vary, L. B.	Morwell		28.7.49

* By transfer from E. V. Cooke.

(b) List of Real Estate Sub-Agents' Licences issued during the month of July, 1949.

Name.	Registered Address.	Date from which Licence is Effective.	Name.	Registered Address.	Date from which Licence is Effective.
Beaton, A. W.	2 Clendon-road, Armadale	22.7.49	Parkes, H. F.	351 Royal-parade, Parkville	26.7.49
Budgeon, E. C.	1221 Malvern-road, Malvern	1.7.49	Pearlman, E.	189 Hawthorn-road, Caulfield	26.7.49
Cassidy, J.	Box 58, Ouyen	22.7.49	Ryan, D. G.	126 Pilgrim-street, Footscray	21.7.49
Henwood, M. C.	205 Page-street, Middle Park	15.7.49	Scullin, C. D.	85 Collins-street, Mentone	27.7.49
Jess, J. A.	Yarrawonga	1.7.49	Tulloch, B. M.	34a McKinley-avenue, Malvern	22.7.49
Kirk, J. M.	23 Winifred-street, Essendon	1.7.49	Wain, F. E.	121 Highfield-road, Camberwell	1.7.49
Male, J. M.	Woods-street, Donald	22.7.49	Wilson, C.	10 Pembroke-road, Balwyn	18.7.49
Morris, G. F.	293 Myers-street, East Geelong	1.7.49	Wilson, M. M.	12 Bramerton-road, Caulfield	26.7.49
Murray, N. J.	19 James-street, Geelong	19.7.49	Yelland, W. M.	Main-road, Tecoma	15.7.49
Orwin, N. W.	381 South-road, Moorabbin	1.7.49	Young, F. W.	Boundary-road, Hamilton	28.7.49

The Treasury,
Melbourne, 18th August, 1949.

R. STAFFORD,
Registrar.

MELBOURNE AND METROPOLITAN BOARD OF WORKS.

NOTICE TO THE OWNERS OF TENEMENTS IN THE UNDER-MENTIONED STREETS, AND THE PRIVATE STREETS, LANES, COURTS, AND ALLEYS OPENING THERETO.

THE main pipe in the said streets being laid down, the owners of all tenements situated as under are hereby required, on or before the 26th September, 1949, to cause a proper pipe and stock cocks to be laid, so as to supply water within such tenements from the main pipe.

CHAS. J. W. BRIGGS,
Secretary.

16th August, 1949.

STREET AND POSITION.
Box Hill.

Rostrevor-parade, from Strabane-avenue northwards 5½ chains.

Moselle-street, from Strabane-avenue northwards 9½ chains.

Shannon-street, from 1 chain east of Simmons-street to Station-street.

Braybrook.

Hampstead-road, from Williamson-road south-westwards 2½ chains.

Camberwell.

Nicholas-street, from 1 chain north-east of Winton-road north-eastwards 4½ chains.

Essendon.

Bradshaw-street, from Keilor-road to Spencer-street.

Spencer-street, from Bradshaw-street westwards 1½ chain.

Forrester-street, from Price-street to Ogilvie-street.

Bradshaw-street, from Forrester-street northwards 3½ chains.

Bradshaw-street, from Buckley-street northwards 8½ chains.

Moorabbin.

Hoffman-street, from Elman-street to Tuck-street.

Tuck-street, from Hoffman-street eastwards 1½ chain.

Gilmour-road, from Castles-road to Fairbank-road.

Northcote.

Wilmoth-street, from Speight-street to Clyde-street.

Prahran.

Station-street, from Avoca-street eastwards 2 chains to right-of-way.

Right-of-way, from 2 chains east of Avoca-street, from Station-street northwards 2 chains.

Preston.

Acheron-avenue, from Rubicon-street to North-road.

Tambo-avenue, from Acheron-avenue to North-road.

Barwon-avenue, from 9 chains north-west of Plenty-road north-westwards 4½ chains.

Sandringham.

Stawell-street, from Wellington-avenue to Haydens-road.

Haydens-road, from Stawell-street to Beach-road.

Gray-court, from Haydens-road westwards 4 chains.

Bruce-street, from Haydens-road to Page-street.

Olinda-avenue, from Bruce-street southwards 5 chains.

Soldier Settlement Acts.

NOTICE OF COMPULSORY ACQUISITION.

TAKE notice that, by virtue of the powers contained in the Soldier Settlement Acts, the Governor in Council, by an Order made on the 16th day of August, 1949, a copy of which appears hereunder, directed that the land described in the Schedule to such Order be acquired compulsorily for the purposes of the said Acts.

Copy of Order of the Governor in Council, made the 16th day of August, 1949:—

DIRECTION FOR ACQUISITION OF LAND BY COMPULSORY PROCESS.

Whereas it is provided (*inter alia*) by the Soldier Settlement Acts that where it appears to the Governor in Council that any land proposed to be acquired for the purposes of such Acts cannot be acquired by agreement or cannot be so acquired at a reasonable price, the Governor in Council may direct that such land be acquired compulsorily: And whereas by virtue of such Acts the Governor in Council has approved of the recommendation of the Soldier Settlement Commission that the land described in the Schedule attached hereto, the registered proprietor of which land is Lucy Constance Carty, of Brisbane Hill, near Hamilton, should be acquired by the said Commission pursuant to and in accordance with the Soldier Settlement Acts: And whereas by virtue of such Acts the Governor in Council directed the said Commission to negotiate for the acquisition of such land: And whereas it appears to the Governor in Council that the said land cannot be acquired by agreement: And whereas it is proposed that the said land be acquired for the purposes of the said Acts: Now therefore His Excellency the Lieutenant-Governor of the State of Victoria, by and with the advice of the Executive Council of the said State, doth by this Order direct that the land described herein be acquired compulsorily for the purposes of the said Acts.

SCHEDULE.

All those pieces of land comprising 2,201 acres and 22 perches, being allotments 1, 2, 6, 10A, 10B, section 4, allotments 4 and 7, section 3, subdivisions A and B of Crown allotments 3 and 8, section 3, subdivisions A and B of allotments 7, 8, and 9, section 4, all in the Parish of Byambynee; allotments 1, 2, 3, and 4, section 21, Parish of Audley—the whole being in the County of Normanby.

A. MAHLSTEDT,

Clerk of the Executive Council.

At the Executive Council Chamber,
Melbourne, 16th August, 1949.

Dated at Melbourne, this 16th day of August, 1949.

E. SINGLETON, Secretary,
Soldier Settlement Commission.

Soldier Settlement Acts.

NOTICE OF COMPULSORY ACQUISITION.

TAKE notice that, by virtue of the powers contained in the Soldier Settlement Acts, the Governor in Council, by an Order made on the 16th day of August, 1949, a copy of which appears hereunder, directed that the land described in the Schedule to such Order be acquired compulsorily for the purposes of the said Acts.

Copy of Order of the Governor in Council, made the 16th day of August, 1949:—

DIRECTION FOR ACQUISITION OF LAND BY COMPULSORY PROCESS.

Whereas it is provided (*inter alia*) by the Soldier Settlement Acts that where it appears to the Governor in Council that any land proposed to be acquired for the purposes of such Acts cannot be acquired by agreement or cannot be so acquired at a reasonable price, the Governor in Council may direct that such land be acquired compulsorily: And whereas by virtue of such Acts the Governor in Council has approved of the recommendation of the Soldier Settlement Commission that the land described in the Schedule attached hereto, the registered proprietor of which land is Hugh Ryan, of 1136 Malvern-road, Malvern, should be acquired by the said Commission pursuant to and in accordance with the Soldier Settlement Acts: And whereas by virtue of such Acts the Governor in Council directed the said Commission to negotiate for the acquisition of such land: And whereas it appears to the Governor in Council that the said land cannot be acquired by agreement: And whereas it is proposed that the said land be acquired for the purposes of the said Acts: Now therefore His Excellency the Lieutenant-Governor of the State of Victoria, with the advice of the Executive Council of the said

State, doth by this Order direct that the land described herein be acquired compulsorily for the purposes of the said Acts.

SCHEDULE.

All that piece of land comprising 319 acres 3 roods 31 perches, being Crown allotment 48, Parish of Warragul, County of Buln Buln, and being the land more particularly described in certificate of title, volume 4300, folio 859824.

A. MAHLSTEDT,

Clerk of the Executive Council.

At the Executive Council Chamber,
Melbourne, 16th August, 1949.

Dated at Melbourne, this 16th day of August, 1949.

E. SINGLETON, Secretary,
Soldier Settlement Commission.

Soldier Settlement Acts.

NOTICE OF COMPULSORY ACQUISITION.

TAKE notice that, by virtue of the powers contained in the Soldier Settlement Acts, the Governor in Council, by an Order made on the 16th day of August, 1949, a copy of which appears hereunder, directed that the land described in the Schedule to such Order be acquired compulsorily for the purposes of the said Acts.

Copy of Order of the Governor in Council, made the 16th day of August, 1949:—

DIRECTION FOR ACQUISITION OF LAND BY COMPULSORY PROCESS.

Whereas it is provided (*inter alia*) by the Soldier Settlement Acts that where it appears to the Governor in Council that any land proposed to be acquired for the purposes of such Acts cannot be acquired by agreement or cannot be so acquired at a reasonable price, the Governor in Council may direct that such land be acquired compulsorily: And whereas by virtue of such Acts the Governor in Council has approved of the recommendation of the Soldier Settlement Commission that the land described in the Schedule attached hereto, the registered proprietor of which land is Elsa Gertrude Noske-Brian, of "Myrniong," Hamilton, should be acquired by the said Commission pursuant to and in accordance with the Soldier Settlement Acts: And whereas by virtue of such Acts the Governor in Council directed the said Commission to negotiate for the acquisition of such land: And whereas it appears to the Governor in Council that the said land cannot be acquired by agreement: And whereas it is proposed that the said land be acquired for the purposes of the said Acts: Now therefore His Excellency the Lieutenant-Governor of the State of Victoria, with the advice of the Executive Council of the said State, doth by this Order direct that the land described herein be acquired compulsorily for the purposes of the said Acts.

SCHEDULE.

All those pieces of land comprising 908 acres 1 rood 27 perches, being Crown allotments 1 and 2, section 10, Parish of Minjah; Crown allotment 2 and part of Crown allotments 1A and 1B, section 21, Parish of Kangertong, more particularly described in certificate of title, volume 5132, folio 1026319.

All those pieces of land comprising 938 acres and 28 perches, being subdivisions A and B of Crown allotments 1, 2, 3, 4, section 2, Parish of Minjah, more particularly described in certificate of title, volume 5161, folio 1032185.

All those pieces of land comprising 2,268 acres 1 rood 39 perches, being Crown allotments 1c and subdivisions A and B of Crown allotments 1, 2, and 3, section 1, and subdivisions A and B of Crown allotment 3, section 3, Parish of Minjah; subdivisions A and B of Crown allotment 3, section 7; subdivisions A and B of Crown allotment 1 and Crown allotments 2, 3A, 4A, 4B, and part of Crown allotment 3B, section 8, Parish of Kangertong, more particularly described in certificate of title, volume 5132, folio 1026318.

The whole being in the County of Villiers.

A. MAHLSTEDT,

Clerk of the Executive Council.

At the Executive Council Chamber,
Melbourne, 16th August, 1949.

Dated at Melbourne, this 16th day of August, 1949.

E. SINGLETON, Secretary,
Soldier Settlement Commission.

Soldier Settlement Acts.

NOTICE OF COMPULSORY ACQUISITION.

TAKE notice that, by virtue of the powers contained in the Soldier Settlement Acts, the Governor in Council, by an Order made on the 16th day of August, 1949, a copy of which appears hereunder, directed that the land described in the Schedule to such Order be acquired compulsorily for the purposes of the said Acts.

Copy of Order of the Governor in Council, made the 16th day of August, 1949:—

DIRECTION FOR ACQUISITION OF LAND BY COMPULSORY PROCESS.

Whereas it is provided (*inter alia*) by the Soldier Settlement Acts that where it appears to the Governor in Council that any land proposed to be acquired for the purposes of such Acts cannot be acquired by agreement or cannot be so acquired at a reasonable price, the Governor in Council may direct that such land be acquired compulsorily: And whereas by virtue of such Acts the Governor in Council has approved of the recommendation of the Soldier Settlement Commission that the land described in the Schedule hereto, the registered proprietor of which land is Leslie Ernest William Carty, of Brisbane Hill, near Hamilton, should be acquired by the said Commission pursuant to and in accordance with the Soldier Settlement Acts: And whereas by virtue of such Acts the Governor in Council directed the said Commission to negotiate for the acquisition of such land: And whereas it appears to the Governor in Council that the said land cannot be acquired by agreement: And whereas it is proposed that the said land be acquired for the purposes of the said Acts: Now therefore His Excellency the Lieutenant-Governor of the State of Victoria, by and with the advice of the Executive Council of the said State, doth by this Order direct that the land described herein be acquired compulsorily for the purposes of the said Acts.

SCHEDULE.

All those pieces of land comprising 5,168 acres 3 roods 8 perches, being subdivisions A and B of Crown allotments 1, 2, and 3, section 18; Crown allotments 1A, 1B, 2A, 2A¹, 2B, and subdivisions A and B of Crown allotments 3 and 4, section 19; Crown allotments 1A, 1B, 2A, 2B, 3A, 3B, 4A, 4B, 4C, section 20, all in the Parish of Audley; Crown allotments 1A, 1B, 2A, 2B, 3A, 3B, 4, 5A, 5B, 6A, 6B, section 1, Crown allotments 1 and 4, section 2, subdivisions A and B of Crown allotments 1 and 2, section 3, subdivisions A and B of Crown allotments 1 and 2, section 9, all in the Parish of Byaduk; Crown allotments 5 and 6, section 3, Crown allotment 3, and subdivisions A and B of Crown allotments 4 and 5, section 4, all in the Parish of Byambynee; allotments A, 1A¹, 1A², 1B¹, and 1B², section 16, and Crown allotment 1, section 20, Parish of Warrabkook—the whole being in the County of Normanby.

A. MAHLSTEDT,
Clerk of the Executive Council.

At the Executive Council Chamber,
Melbourne, 16th August, 1949.

Dated at Melbourne, this 16th day of August, 1949.

E. SINGLETON, Secretary,
Soldier Settlement Commission.

Soldier Settlement Acts.

NOTICE OF COMPULSORY ACQUISITION.

TAKE notice that, by virtue of the powers contained in the Soldier Settlement Acts, the Governor in Council, by an Order made on the 16th day of August, 1949, a copy of which appears hereunder, directed that the land described in the Schedule to such Order be acquired compulsorily for the purposes of the said Acts.

Copy of Order of the Governor in Council, made the 16th day of August, 1949:—

DIRECTION FOR ACQUISITION OF LAND BY COMPULSORY PROCESS.

Whereas it is provided (*inter alia*) by the Soldier Settlement Acts that where it appears to the Governor in Council that any land proposed to be acquired for the purposes of such Acts cannot be acquired by agreement or cannot be so acquired at a reasonable price, the Governor in Council may direct that such land be acquired compulsorily: And whereas by virtue of such Acts the Governor in Council has approved of the recommendation of the Soldier Settlement Commission that the land described in the Schedule attached hereto, the registered

proprietor of which land is Olive Muriel Carty, of Brisbane Hill, near Hamilton, should be acquired by the said Commission pursuant to and in accordance with the Soldier Settlement Acts: And whereas by virtue of such Acts the Governor in Council directed the said Commission to negotiate for the acquisition of such land: And whereas it appears to the Governor in Council that the said land cannot be acquired by agreement: And whereas it is proposed that the said land be acquired for the purposes of the said Acts: Now therefore His Excellency the Lieutenant-Governor of the State of Victoria, with the advice of the Executive Council of the said State, doth by this Order direct that the land described herein be acquired compulsorily for the purposes of the said Acts.

SCHEDULE.

All those pieces of land comprising 1,957 acres and 28 perches, being allotments 1A, 1B, 2A¹, 2A², 2B, 3A, 3B, 4A, 4B, section 15, Crown allotments 1A, 1B, 2A, 2B, and subdivisions A and B of Crown allotments 3 and 4, section 16, subdivisions A and B of Crown allotments 1, 3, 4, and 6, and Crown allotments 5A¹, 5A², 5B, and 5B¹, section 17—the whole being in the Parish of Audley, County of Normanby.

A. MAHLSTEDT,

Clerk of the Executive Council.

At the Executive Council Chamber,
Melbourne, 16th August, 1949.

Dated at Melbourne, this 16th day of August, 1949.

E. SINGLETON, Secretary,
Soldier Settlement Commission.

Published in lieu of the Notices appearing in the *Government Gazette* of the 17th August, 1949, pages 4600 and 4601.

Companies Act 1938.

CONSENT TO USE OF THE WORD "EMPIRE."

HIS Excellency the Lieutenant-Governor of the State of Victoria, by and with the advice of the Executive Council thereof, doth by Order made on the 16th day of August, 1949, hereby consent, in terms of section 17 of the *Companies Act 1938*, to the use of the word "Empire" in the name of the company, to be known as "Empire Insurances Limited," and which it is desired shall be registered in that name.

A. MAHLSTEDT,
Clerk of the Executive Council.

At the Executive Council Chamber,
Melbourne, the 16th August, 1949.

HOSPITALS AND CHARITIES ACT 1948 (No. 5300).

IT is hereby notified for general information that the Hospitals and Charities Commission, under the provisions of section 50 of the above-mentioned Act, has approved the corporate name of The Melbourne Benevolent Asylum and Hospital for the Aged and Infirm being changed to

MELBOURNE HOME AND HOSPITAL FOR THE AGED.

Dated at Melbourne this sixteenth day of August, One thousand nine hundred and forty-nine.

H. N. ACKLOM, Secretary,
Hospitals and Charities Commission.

HOSPITALS AND CHARITIES ACT 1948 (No. 5300).

IT is hereby notified for general information that the Hospitals and Charities Commission, under the provisions of section 50 of the above-mentioned Act, has approved the corporate name of Horsham Base Hospital being changed to

WIMMERA BASE HOSPITAL.

Dated at Melbourne this sixteenth day of August, One thousand nine hundred and forty-nine.

H. N. ACKLOM, Secretary,
Hospitals and Charities Commission.

Gaols Act 1928.
"POLICE GAOLS."

NOTICE

By His Excellency the Lieutenant-Governor of the State of Victoria and its Dependencies in the Commonwealth of Australia, &c., &c., &c.

WHEREAS by section 7 of the *Gaols Act 1928* it is enacted that the Governor in Council upon a certificate from the Inspector-General of Penal Establishments that any lock-up is fit for the reception of prisoners whose sentences do not exceed thirty days may from time to time by notice in the *Government Gazette* proclaim any police lock-up so certified to be a "police gaol":

And whereas it is further enacted by the said section that the Governor in Council shall have power from time to time to vary or revoke any such proclamation by notice in the *Government Gazette*, whereupon such proclamation as varied or such revocation shall take effect accordingly:

And whereas the Inspector-General of Penal Establishments has certified that the lock-ups at the police stations named in the Schedule hereto are fit for the reception of prisoners whose sentences do not exceed thirty days:

Now therefore I, the Lieutenant-Governor of the State of Victoria, in the Commonwealth of Australia, by and with the advice of the Executive Council of the said State and in pursuance of the powers conferred by the *Gaols Act 1928*, do by this my Notice—

- (a) revoke the proclamation of certain "police gaols" in respect of which notice was published in the *Government Gazette* of the 6th September, 1930, at page 3099, and
- (b) proclaim the lock-ups at the police stations named in the Schedule hereto to be "police gaols."

SCHEDULE.

Police Station.	Police District in which Situated.
Alexandra	Upper Goulburn
Apollo Bay	Corangamite
Apsley	Glenelg
Ararat	Glenelg
Bacchus Marsh	Bourke
Bairnsdale	East Gippsland
Balmoral	Glenelg
Beechworth	Upper Murray
Benalla	Upper Goulburn
Bendigo	Loddon
Branxholme	Glenelg
Broadford	Upper Goulburn
Camperdown	Corangamite
Castlemaine	Central Highlands
Casterton	Glenelg
Cobram	Goulburn
Colac	Corangamite
Coleraine	Glenelg
Corryong	Upper Murray
Cavendish	Glenelg
Cowes	Gippsland
Dartmoor	Glenelg
Daylesford	Central Highlands
Edenhope	Glenelg
Echuca	Goulburn
Euroa	Upper Goulburn
Ferntree Gully	Yarra
Hamilton	Glenelg
Harrow	Glenelg
Healesville	Yarra
Heywood	Glenelg
Horsham	Wimmera
Kilmore	Upper Goulburn
Korumburra	Gippsland
Kyneton	Central Highlands
Kyabram	Goulburn
Lismore	Corangamite
Mansfield	Upper Goulburn
Maryborough	Central Highlands
Mildura	Mallee
Mooroopna	Goulburn
Mornington	Flinders
Mortlake	Corangamite
Myrtleford	Upper Murray
Nagambie	Upper Goulburn
Nathalia	Goulburn
Nhill	Wimmera
Numurkah	Goulburn
Orbost	East Gippsland
Ouyen	Mallee
Port Campbell	Corangamite

SCHEDULE—continued.

Police Station.	Police District in which Situated.
Port Fairy	Corangamite
Portland	Glenelg
Robinvale	Mallee
Rushworth	Goulburn
Rutherglen	Upper Murray
St. Arnaud	Loddon
Sea Lake	Mallee
Seymour	Upper Goulburn
Shepparton	Goulburn
Stawell	Wimmera
Sunbury	Bourke
Swan Hill	Mallee
Tallangatta	Upper Murray
Wangaratta	Upper Murray
Warburton	Yarra
Warracknabeal	Wimmera
Warragul	Gippsland
Warrnambool	Corangamite
Werribee	Bourke
Wodonga	Upper Murray
Wonthaggi	Gippsland
Yarrawonga	Upper Murray
Yea	Upper Goulburn

Given under my Hand and the Seal of the State of Victoria aforesaid, at Melbourne, this twenty-third day of August, in the year of our Lord One thousand nine hundred and forty-nine, and in the thirteenth year of the reign of His Majesty King George VI.

(L.S.)

E. F. HERRING.

By His Excellency's Command,

W. WATT LEGGATT,

Chief Secretary.

GOD SAVE THE KING!

Water Acts.

STATE RIVERS AND WATER SUPPLY COMMISSION.

TALLYGAROPNA URBAN DIVISION.

NOTICE to the owner of the under-mentioned tenement in the Tallygaroopna Urban Division:—

Lot 22 on block C on lodged plan of subdivision No. 2198.

The main pipe being laid down for the supply of water to the above-mentioned tenement, the owner thereof is hereby required, on or before the 26th day of September next, to cause a proper pipe and stop cock to be laid, so as to supply water within such tenement from the main pipe.

L. DUGGAN, Secretary,

State Rivers and Water Supply Commission.

Melbourne, 18th August, 1949.

Water Acts.

STATE RIVERS AND WATER SUPPLY COMMISSION.

TALLYGAROPNA URBAN DIVISION.

NOTICE to owners of tenements in the under-mentioned streets in the Tallygaroopna Urban Division, and the private streets, lanes, courts, and alleys opening thereto:—

Victoria-street, from the north-western angle of lot 1 on block C on lodged plan of subdivision No. 2198, to a point opposite lot 7 on lodged plan of subdivision No. 1990, about 23½ chains easterly.

Fowler-street (formerly Tower-street), from Victoria-street to a point opposite lot 15 on block B on said lodged plan of subdivision No. 2198, about 3½ chains northerly, and from Victoria-street to a point opposite lot 11 on block D on said lodged plan of subdivision No. 2198, about 7¼ chains southerly.

Smith-street, from Victoria-street to a point opposite lot 8 on block D on said lodged plan No. 2198, about 5 chains southerly.

The main pipe in the said streets being laid down, the owners of all tenements situated as above are hereby required, on or before the 26th day of September next, to cause proper pipes and stock cocks to be laid, so as to supply water within such tenements from the main pipe.

L. DUGGAN, Secretary,

State Rivers and Water Supply Commission

Melbourne, 18th August, 1949.

CONTRACTS ACCEPTED.—(Series 1948-49.)

GENERAL STORES.

Gazette No. 708, 16th July, 1948, Schedule No. 39, Furniture, &c.—Rates for Item No. 12, Desks, increased by 4s. each, as from 29th July, 1949.

Gazette No. 44, 26th January, 1949, Schedule No. 52, Tools (General).—Increase in rates for handles notified in *Government Gazette* No. 642, 17th August, 1949, page 4593, operative as from 21st July, 1949.

W. H. RUTHERFORD, Secretary to the Tender Board.
22.8.49.

CONTRACTS ACCEPTED.—(Series 1949-50.)

VICTORIAN RAILWAYS.

8. Sewerage at Deniliquin, for £1,895 15s. 11d. (Contract 56125).—R. A. Gordon. 9. Sewerage at Dimboola, for £869 (Contract 57404).—John R. Ross. 10. Sewerage at Dimboola, for £693 (Contract 57406).—John R. Ross. 11. Broaching machine, at £1,409 3s. each (Contract 57572).—Alfred Herbert (Australasia) Pty. Ltd. 12. Ten-ton overhead electric travelling crane, at £3,225 each (Contract 57579).—Johns and Waygood Ltd. 13. Abrasive blasting units, at £130 each (Contract 57645).—O. Granowski. 14. Filling between Warragul and Yarragon, at rates (Contract 57690).—Kennedy Haulage Co. 15. Elastic rail spikes, type A.1, at £48 6s. 8d. per 1,000 (Contract 57698).—Elastic Rail Spike Co. (Aust.) Pty. Ltd.

CORRIGENDUM.

Serial 117, *Gazette* 30 of 29th January, 1947, additional 1 No. truck, at £1,006 3s. each.

By order of the Victorian Railways Commissioners,

B. KELLY, Secretary. 19.8.49.

GENERAL STORES.

Gazette No. 598, 18th July, 1949, Schedule No. 19, Bricks, Cement, &c.—For the rates shown opposite Items Nos. 10 and 11, Australian Cement Ltd., substitute 4s. 6½d. per bag as from 4th August, 1949.

Gazette No. 598, 18th July, 1949, Schedule No. 36, Earthenware, &c.—Rates for Items Nos. 1 to 4, 6 to 9, 16 to 18, 20 to 25, and 29, subject to a surcharge of 3 per cent. as from 8th July, 1949, and 4 per cent. as from 1st August, 1949.

Gazette No. 598, 18th July, 1949, Schedule No. 37, Electric Lamps, &c.—For the rates shown opposite the following items substitute the rates as set out hereunder:—Item No. 42, 14s. 5d.; Item No. 43, £1 1s. 10d.; Item No. 44, 18s. 9d.; Item No. 45, £1 4s. 4d.; Item No. 46, £1 12s.; Item No. 47, £2 1s. 2d.; Item No. 48, £3 1s. 10d.; Item No. 49, £3 17s. 9d.; Item No. 50, £5 2s. 5d.; Item No. 51, £6 10s. 10d.; Item No. 52, £11 16s. 9d.; Item No. 53, £1 7s. 4d.; Item No. 54, £1 16s. 11d.; Item No. 55, £1 12s. 9d.; Item No. 56, £2; Item No. 57, £2 4s. 4d.; Item No. 58, £3 10s. 7d.; Item No. 59, £3 1s. 3d.; Item No. 60, £3 16s. 6d.; Item No. 61, £4 15s. 4d.; Item No. 62, £6 0s. 11d.; Item No. 63, £1 17s. 10d.; Item No. 64, £2 5s. 7d.; Item No. 65, £2 17s. 1d.; Item No. 66, £3 8s. 8d.; Item No. 70, £3 8s. 10d.; Item No. 71, £3 19s. 1d.; Item No. 72, £4 7s. 7d.; Item No. 73, £5 1s. 9d. per 100 yards—as from 1st August, 1949.

Gazette No. 598, 18th July, 1949, Schedule No. 62, Painters' Sundries, &c.—For the rates shown opposite the following items substitute the rates as set out hereunder:—Item No. 46, £1 5s. 6d. per gal.; Item No. 47, £1 7s. 11d. per gal.; Item No. 48, £2 0s. 2d. per gal.; Item No. 52, £1 17s. 11d. per gal., as from 1st July, 1949.

Gazette No. 598, 18th July, 1949, Schedule No. 63, Piping, Ridging, &c.—Rates for Items Nos. 1 to 5 and 8 to 12 subject to 20 per cent. discount as from 1st July, 1949.

Gazette No. 598, 18th July, 1949, Schedule No. 67, Soapmakers' Materials, &c.—For Item No. 12 substitute 10½d. per lb. as from 11th July, 1949.

Gazette No. 598, 18th July, 1949, Schedule No. 77, White Lead and Linseed Oil.—Items Nos. 4 and 7, when supplied in 4-gallon tins, rate will be £1 4s. 1d. and £1 4s. 3d. per gallon.

W. H. RUTHERFORD, Secretary to the Tender Board.
22.8.49.

PUBLIC WORKS.

761. (3) Footscray North, State School No. 4160, repairs to desks, £105 7s. 6d.—B. Fellows.

762. (2) Brunswick South West, State School No. 4304, repairs to desks, £115 10s.—B. Fellows.

763. (1) Melbourne, Premier's Department, painting Room 244, £127.—J. R. and E. Seccull Pty. Ltd.

764. (1) Tyntynder Central, State School No. 3795, supply and fix plaster sheeting, teacher's residence, £186.—S. Wisby and Son.

765. (1) Sunbury, Mental Hospital, repairs to hot-water service, Ward F.10, £190.—G. S. Orpwood.

766. (2) Beechworth, Mental Hospital, kitchen equipment, £876.—G. A. Fox and Co.

767. (1) Marysville, State School No. 1273, clearing site, £100.—J. Provis.

768. (2) Sunbury, Mental Hospital, supply of dental equipment, £175 7s. 3d.—Felton Grimwade Dental Co. Pty. Ltd.

769. (1) Melbourne, Agriculture, Herd Testing Branch, eight filing cabinets, £264.—E. T. Brown Ltd.

770. (6) Sunbury, Mental Hospital, wardrobes, £179 2s.—F. G. Dunstan.

771. Sunbury, Mental Hospital, tables, £128 8s.—H. Woffinden.

772. (1) Werribee, Research Farm, supply of curd mill trolley, £158 5s.—A. Joyce and Co.

773. (1) Melbourne, Taxation Department, steel shelving, £106 12s. 7d.—E. T. Brown Ltd.

774. (1) Collingwood, Technical School, renewing roof gutters, &c., £160.—J. W. Brown Pty. Ltd.

775. (1) Heatherton, Sanatorium, supply 360 blankets, £571 10s.—Lane Textiles.

776. (2) Burnley, Horticultural Gardens, supply and fix venetian blinds, £286 13s.—Tye and Co. Pty. Ltd.

777. (2) Burnley, Horticultural Gardens, supply and fix black-out blinds, £462.—Wm. Morgan and Co.

778. (1) Quambatook, Consolidated School, removal and re-erection of Dumosa School, £503.—A. T. Power.

779. (1) Melbourne, Public Works Department, supply of five rolls linoleum, £254 12s. 6d.—N. Nixon.

780. (2) Melbourne, Crown Solicitor's Office, shelving and pigeonholes, £207.—P. Clark Pty. Ltd.

781. (2) Footscray, Technical School, repairs to stairs, £176.—J. Cunningham.

782. (1) Kew, Mental Hospital, installation of sink, &c., £130 9s. 6d.—A. Duncan.

783. (1) Beechworth, State School No. 1560, fixing skylights, £212.—D. Tinknell.

784. (3) South Melbourne, MacRobertson's Girls' High School, repairs to desks, £122 8s.—A. F. Blackburn.

785. (2) Melbourne, Agriculture Department, supply of fluorescent fittings, £110 19s.—H. Rowe and Co. Pty. Ltd.

786. (1) Kingsville, State School No. 3988, construction of two inspection chambers, £120.—Griffiths Bros.

787. (1) Royal Park, Mental Hospital, repairs to furniture, £142.—H. Bowie.

788. (2) Melbourne, Auditor-General, supply and lay carpet, £107 18s. 6d.—United Furnishers.

789. (1) Coburg, Pentridge, supply of lasting machine, £625.—The Standard Engineering Co. Ltd.

790. (1) Mordialloc, Jetty, supply and delivery of stone, at rates, 18s. per ton.—J. Starbuck and Sons.

791. (3) Melbourne, State Offices Annexe, 179 Queenstreet, supply of fluorescent lights, £597 12s.—British General Electric Co. Pty. Ltd.

792. (1) Upwey, High School, supply of eighteen desks, £105 6s.—R. Brown Manufacturing Co. Pty. Ltd.

793. (1) Melbourne, Emily McPherson College, supply 24 desks, £162.—Max Davis Pty. Ltd.

794. (6) Melbourne, Public Works Department, supply of furniture, £815.—Thear and Son.

795. (6) Melbourne, Public Works Department, supply of furniture, £1,125.—Dandy Woodware Pty. Ltd.

796. (6) Melbourne, Public Works Department, supply of furniture, £560.—Johnston's Pty. Ltd.

797. (6) Melbourne, Public Works Department, supply of furniture, £592.—The Myer Emporium Ltd.

798. (6) Melbourne, Public Works Department, supply of furniture, £470.—G. A. Whiting.

799. (2) Moyhu, State School No. 1335, repairs to residence, £155.—G. P. Morgan.

800. (1) Greenvale, Sanatorium, supply of coal chamber doors, £115 10s.—R. Werner and Co. Pty. Ltd.

801. (1) Melbourne, State Offices Annexe, 179 Queenstreet, provision of entrance doors, &c., £1,265.—Brooks, Robinson Pty. Ltd.

802. (1) Melbourne, State Offices Annexe, 179 Queenstreet, supply and fix fibrous plaster, £346 7s.—Derite Fibrous Plaster Co. Pty. Ltd.

803. (1) Streatham, Blythevale Estate, Soldier Settlement Commission, plaster sheeting, two houses, £253 2s. 9d.—The Zuleika Fibro Plaster Pty. Ltd.

804. (2) Collingwood, Technical School, alterations to desks and chairs, £142.—B. Fellows.

805. (2) Ballarat, Mental Hospital, alterations to bathroom and covered way, £181.—J. H. Brown and Son Pty. Ltd.
806. (2) Oakleigh, Technical School, library shelving, £175.—Johnston's Pty. Ltd.
807. (4) Collingwood, Technical School, supply of machinery, £850 11s. 7d.—McPherson's Pty. Ltd.
808. (1) Collingwood, Technical School, supply of automatic drop stamp, £1,186 11s.—Marfleet and Weight Pty. Ltd.
809. (5) Mont Park, Mental Hospital, installation of equipment in two drying rooms, £812.—W. E. Tuck.
810. (1) Ballarat, Mental Hospital, repairs to locks, &c., £154 12s.—J. Hubball Pty. Ltd.
811. (1) Carlton, State School No. 112, erection of wire window frames, £145.—Coburg Gate, Fence, and Engineering Co.
812. (1) Noorongong, State School No. 3073, fibrous plastering to residence, £220.—The Border Fibrous Plaster Works.
813. (1) Dookie, Agricultural College, supply of mattresses and covers, £172 11s. 6d.—The Myer Emporium Ltd.
814. (1) Dookie, Agricultural College, supply of bridge chairs, £161 4s. 8d.—Latex Products Pty. Ltd.
815. (1) Melbourne, Emily McPherson College, partitions, £140 12s. 6d.—A. H. Schulz and Sons.
816. (3) Sandringham, Technical School, supply of furniture, £303 15s.—K. and S. Lyons.
817. Sandringham, Technical School, supply of benches and lockers, £160 17s.—F. Campbell and Son.
818. (2) Sandringham, Technical School, plumbing, £414 17s.—Triplett and Prentice.
819. (1) Sandringham, Technical School, supply of 273 lockers, £844 10s.—E. T. Brown Ltd.
820. (4) Fairfield, Infectious Diseases Hospital, supply of furniture, £401 9s.—Dandy Woodware Pty. Ltd.
821. (4) Fairfield, Infectious Diseases Hospital, supply of furniture, £164 5s.—B. D. Cross.
822. (1) Fairfield, Infectious Diseases Hospital, curtains and bedspreads, £141 16s. 5d.—Foy and Gibson Ltd.
823. (3) Melbourne, Discharged Servicemen's Employment Branch, partitions and alterations, £110 10s.—J. Graham.
824. (1) Echuca, Technical School, installation of hot-water service in residence, £205.—T. L. Scott.
825. (1) Caulfield, Technical School, fixing battens for venetian blinds, £209 2s.—Pollard Bros.
826. (1) Melbourne, 107 Russell-street, supply and fix two shop fronts, £750.—Brooks, Robinson Pty. Ltd.
827. (2) Aberfeldie, State School No. 4220, repairs to desks, £121 17s. 6d.—B. Fellows.
828. (2) Canterbury, State School No. 3572, repairs to desks, £175 1s.—B. Fellows.
829. (1) Melbourne, Government House, re-decorating ballroom, £440.—Pettigrew Pty. Ltd.
830. (1) Ballarat, School of Mines, electrical installation, £158.—H. W. Sarah.
831. (1) Ballarat, School of Mines, supply of fluorescent fittings, £148 15s.—British General Electrical Co. Pty. Ltd.
832. (2) Kew, Mental Hospital, provision of carpet, £111 11s.—United Furnishers.
833. (1) Melbourne, T.B. Clinic, supply of seven filing cabinets, £220 10s.—E. T. Brown Ltd.
834. (1) Greenvale, Sanatorium, installation of seats in Concert Hall, £1,328 18s.—Latex Products Pty. Ltd.
835. (2) Greenvale, Sanatorium, supply and fix stage curtains, £323 16s.—French and McNeil.
836. (2) Ararat, High School, supply of wall bench, £175.—Johnston's Pty. Ltd.
837. (2) Ararat, High School, supply of fourteen wall lockers, £122 10s.—B. E. Purnell.
838. (3) Melbourne, Old Treasury Building, cleaning interior walls, £385 10s.—Melbourne General Cleaning Co. Pty. Ltd.
839. (3) Melbourne, State Offices, 107 Russell-street, supply six drawing tables, £101.—Thear and Son.
840. (1) Albion, State School No. 4265, repairs, &c., to plaster walls, £193 16s.—Hartley and Blacker.
841. (3) Melbourne, Zoological Gardens, supply and installation of public address system, £453 2s. 6d.—Amalgamated Wireless Australasia Ltd.
842. (1) Melbourne, City Morgue, installation of space-heating equipment, £149 12s. 6d.—The Metropolitan Gas Co.
843. (4) Hawksburn, State School No. 1467, supply and fix cupboards, £230.—H. G. Swales.
844. (3) Coburg, State School No. 484, supply three book-cases, £103 10s.—Thear and Son.
845. (2) Box Hill, Technical School, supply of rostrum and wall benches, £273 10s.—Johnston's Pty. Ltd.
846. (5) Box Hill, Technical School, supply of desks, £106 10s.—Thear and Son.
847. (1) Middle Park, State School No. 2815, supply of 50 forms, £200.—Johnston's Pty. Ltd.
848. (2) Royal Park, Camp Pell Emergency Housing, fibrous plaster lining, £279 10s.—Hartley and Blacker.
849. (2) Collingwood, Technical School, supply of air supply unit, £102 9s. 1d.—C.I.G. (Victoria) Pty. Ltd.
850. (4) Heatherton, Sanatorium, supply of lockers, £402 10s.—Dandy Woodware Pty. Ltd.
851. (4) Heatherton, Sanatorium, supply of cupboards, £672 14s. 6d.—Terdich Bros. Pty. Ltd.
852. (1) Melbourne, Public Works Department, supply 40 rolls linoleum, £1,458 11s. 2d.—Anderson's Pty. Ltd.
853. (1) Melbourne, Public Works Department, supply 10 rolls linoleum, £493 2s. 6d.—Anderson's Pty. Ltd.
854. (4) Royal Park, Mental Hospital, installation of forced-draught equipment, £124.—W. E. Tuck.
855. (1) Preston, Technical School, provision of incinerator, £175.—L. H. Roberts.
856. (1) Northcote, State School No. 1401, roof repairs, £310.—A. J. Batchelor.
857. (1) Ballarat, Mental Hospital, supply and lay rubber flooring, £458 8s.—Clark Matting and Rubber Pty. Ltd.
858. (1) Melbourne, Decentralization Office, partitions, £305 10s.—John R. and E. Seccull Pty. Ltd.
859. (2) Heatherton, Sanatorium, laying linoleum, £127 15s.—Johnston's Pty. Ltd.
860. (1) Kew, Mental Hospital, laying rubber treads, £128 10s.—Clark Matting and Rubber Pty. Ltd.
861. (1) Horsham, High School, supply of 30 desks, £202 10s.—Max Davis Pty. Ltd.
862. (4) Carlton, Country Roads Board, supply of linoleum, £195.—W. P. Murison.
863. (3) Ararat, Mental Hospital, supply of linoleum, £255.—W. P. Murison.
864. (2) Caulfield, Technical School, supply of pump, £280 10s.—Harland Engineering (Aust.) Pty. Ltd.
865. (2) Melbourne, Emily McPherson College, supply and lay linoleum, £445 10s.—E. L. Yencken and Co. Pty. Ltd.
866. (1) Gonn Crossing, State School No. 4566, removal and re-erection of Loddon School, £260.—Tillig and Sons.
867. (3) South Melbourne, Public Works Department Storeyard, supply of 1,000 tons of English Portland cement, £11,200.—Gollin and Co. Pty. Ltd.
868. (1) South Melbourne, Public Works Department Storeyard, supply of linoleum, £2,966 5s.—N. Nixon.
869. (4) Melbourne, Parliament House, remaking and laying carpet, £603 15s.—C. Borer.
870. (1) Melbourne, Public Library, repairs to dome, £937.—Picton, Hopkins and Son Pty. Ltd.
871. (2) Fairfield, State School No. 2711, repairs to desks, £101 12s.—A. F. Blackburn.
872. (1) Yallourn, Technical School, installation of improved lighting in Engineering Block, £215 15s.—A. G. Plumridge.
873. (1) Melbourne, Titles Office, installation of steel shelving, £101 18s. 6d.—E. T. Brown Ltd.
874. (4) Albert Park, State School No. 1181, provision of cupboards, £210.—N. Beard and Co.
875. (4) Mont Park, Janefield Mental Hospital, supply 36 seats, £258.—Thear and Son.
876. (2) Glenferrie, Swinburne Technical College, equipment for Chemistry School, £628 18s.—Felton Grimwade and Duerdins Pty. Ltd.
877. (2) Glenferrie, Swinburne Technical College, equipment for Chemistry School, £170 7s. 6d.—Townson and Mercer Pty. Ltd.
878. (1) Glenferrie, Swinburne Technical College, supply scientific instruments, £192 19s.—Thomas Optical and Scientific Co. Pty. Ltd.
879. (1) Melbourne, Supreme Court Library, supply of tables and shelving, £128 15s.—Johnston's Pty. Ltd.
880. (3) Melbourne, Supreme Court Library, book-cases and shelving, £826 10s.—Johnston's Pty. Ltd.
881. (4) Mont Park, Gresswell Sanatorium, supply and lay linoleum, £209 12s. 6d.—W. P. Murison.
882. (1) Melbourne, University, Physics School, supply of cable, £234 0s. 10d.—Herley's Telegraph Works Co. Ltd.
883. (1) Melbourne, Taxation Office, replacing lift ropes, £140 17s. 6d.—Johns and Waygood Ltd.
884. (1) South Melbourne, Storeyard, supply of linoleum, £330 17s. 6d.—Anderson's Pty. Ltd.
885. (4) Fairfield, Infectious Diseases Hospital, installation of steam and gas mains, £172.—Charles E. Guy and Co.
886. (1) Melbourne, Government House, repairs, &c., to lamp standards, £427 15s.—Wm. Bedford Ltd.
887. (1) Port Melbourne, Fat for Britain Building, cement roofing, £250 5s. 4d.—James Hardie and Co. Pty. Ltd.
888. (1) Melbourne, Technical College, supply of analysed standard samples, £525 14s.—H. B. Selby and Co. Pty. Ltd.
889. (1) Caulfield, Technical School, supply of alternators, £115.—Bingle Machinery Pty. Ltd.

890. (8) Glenferrie, Swinburne Technical School, supply of equipment, £225, E. P. Keogh Pty. Ltd., and £146 5s., Technical Book and Magazine Co.
 891. (3) Mordialloc, Jetty, supply and delivery of stone, £935 10s. 10d.—J. Starbuck and Sons.
 892. (1) Melbourne, City Court, supply of furniture, £598 10s.—Johnston's Pty. Ltd.
 893. (1) Cooriemungle, Penal Farm, repairs to tractor, £225.—E. Hassett and Sons Pty. Ltd.
 894. (1) Colac, State School No. 117, re-erection of shelter-shed, £112 18s.—W. Uebergang.
 895. (4) Sandringham, Technical School, supply of furniture, £249 19s. 2d.—F. Campbell and Son.
 896. (4) Sandringham, Technical School, supply of furniture, £606 15s.—Johnston's Pty. Ltd.
 897. (2) Caulfield, Technical School, supply of air compressor, £164.—Knox, Schlapp Pty. Ltd.
 J. A. KENNEDY, Commissioner of Public Works.
 11.8.49.

PUBLIC WORKS.

925. (2) Camp Pell, Emergency Housing Area 4, sewerage, sanitary plumbing, and water supply, £165.—J. W. Brown Pty. Ltd.
 926. (1) Chatsworth, State School No. 1382, repairs and painting, £140.—A. Henderson.
 927. (1) Coburg, Pentridge, supply and installation of heat storage cooker and fast boiling unit for Officers' Mess, £773 14s. 11d.—Levin and Co. Ltd.
 928. (1) Collingwood, Technical School, supply and delivery of spinning lathes, £350.—Raleigh Engineering Co. Pty. Ltd.
 929. (2) Dhurringile, State School No. 3944, erection of residence (labour only), £661.—H. J. Faulkner.
 930. (1) Fairfield, Exotic Block, I.D. Hospital, plumbing works to be done and fittings to be supplied to making good damage, £270.—J. W. Brown Pty. Ltd.
 931. (1) Footscray, Police Station, alterations and renovations, £230.—R. W. Neville.
 932. (1) French Island, Reformatory Prison, McLeod Settlement, sewerage and sanitary plumbing, and water supply installation, £226 7s.—W. J. Bugg.
 933. (2) Geelong, State School No. 4398, adaptation of hut into classroom, £708 18s.—E. A. Rookes.
 934. (1) Glenlyon, State School No. 266, repairs and painting, £472 16s. 10d.—Clyde J. Harris.
 935. (3) Greenvale, Sanatorium, installation of electric light and power in additions to Nurses' Home, £2,953 13s. 6d.—W. Cumming and Co. Pty. Ltd.
 936. (3) Kew, Mental Hospital, internal renovations, folding room, and extension to renovation laundry block, £510.—R. W. Neville.
 937. (4) Kew, Mental Hospital, supply and installation of seven electric refrigerators, Female Division, £1,110.—Rickards Bros. Pty. Ltd.
 938. (2) Lismore, State School No. 1293, erection of new school building, repairs and painting to residence, £5,400.—Albert J. Puddy.
 939. (2) Melton South, State School No. 3717, internal and external renovations, residence, £223 17s.—F. Ryan.
 940. (1) Mepunga East, State School No. 2762, painting and repairs, £424 14s.—P. E. Hutchings.
 941. (5) Mont Park, Mental Hospital, supply and installation of electric refrigerator, south-east block, £210.—Rickards Bros. Pty. Ltd.
 942. (1) Melbourne, Crown Law Offices, installation of improved lighting, £1,136 7s. 8d.—R. Creelman.
 943. (2) Melbourne, Psychiatric Clinic, sanitary plumbing, sewerage, and water supply, £155 18s. 6d.—J. W. Brown Pty. Ltd.
 944. (1) Melbourne, Public Library, water proofing over run of lift well, £103.—George A. Hurse.
 945. (1) Melbourne, Public Service Board, State Offices, supply and installation of cold cathode fluorescent lighting equipment, £111 11s. 6d.—Neon Electric Signs Ltd.
 946. (1) Newtown, State School No. 1887, Caretaker's residence, re-blocking scullery floor, £125.—Joseph Holt.
 947. (2) Port Melbourne, Fat for Britain Building, Salmon-street, sewerage, sanitary plumbing, and water supply, £182 10s. 6d.—J. W. Brown Pty. Ltd.
 948. (1) Rosedale, Police Station, electrical installation of power, lighting, and electric hot-water service, £129 10s.—J. R. Martin.
 949. (5) Silvan, State School No. 1801, repairs and painting, £337 15s.—E. E. Thomas.
 950. (5) Strathmore, State School No. 4612, provision of additional classroom in brick, £5,596.—George A. Hurse.
 951. (5) Wallan Wallan, Police Station, painting and repairs, £243 15s.—E. E. Thomas.
 952. (7) Bairnsdale, State School No. 754, conversion of 60 ft. Army hut into two classrooms, £1,400.—J. A. Anderson.
 953. (1) Ballarat, Mental Hospital, supply and installation of mechanical exhaust system in kitchen, £949.—McLean and Boakes.
 954. (1) Ballarat, Infectious Diseases and Tuberculosis Block, Base Hospital, supply and installation of electrical service, £7,418 5s.—Oliver J. Nilsen and Co. Pty. Ltd.
 955. (1) Ballarat, Infectious Diseases and Tuberculosis Block, Base Hospital, supply and installation of heating, hot-water ventilation, and sterile water services, £14,950.—A. E. Smith and Son.
 956. (1) Ballarat, Base Hospital, erection and completion of Infectious Diseases and Tuberculosis Block, £113,000.—S. Ludbrook.
 957. (1) Baranduda, State School No. 2222, erection and completion of Teacher's residence (labour only), £900.—R. J. Lowe.
 958. (2) Beaufort, Police Station, supply and installation of a solid fuel hot-water service, £145 19s.—McLean and Boakes.
 959. (1) Boisdale, Consolidated School, sanitary plumbing and water supply, £992.—H. N. Olver.
 960. (2) Boisdale, Consolidated School, supply and installation of central heating and hot-water equipment, £686.—H. N. Olver.
 961. (3) Box Hill, Technical School, supply and installation of saw-dust extraction system, £423.—Crockford and Robertson.
 962. (1) South Bundalong, State School No. 2109, erection of Teacher's residence (labour only), £905.—R. J. Lowe.
 963. (3) Cardinia, State School No. 3689, repairs and painting (labour only), £285.—James Osborne.
 964. (1) Carlisle River, State School No. 3497, repairs to removed building, State School, Cargarie, and out-offices, £297 10s. 6d.—T. Doolan.
 965. (3) Footscray, State School No. 1912, repairs and painting, £1,640.—J. L. Dare.
 966. Glenpatrick, State School No. 1831, purchase and removal of buildings, £12 10s.—Jas. Dawson.
 967. (1) Goroke, State School No. 2680, repairs and renovations to school and residence, £174 10s.—A. Fraser.
 968. (2) Jeetho, State School No. 2690, repairs and painting, £122 10s.—J. W. Short and Co.
 969. (3) Janefield, Mental Hospital, reconditioning electrical reticulation, farm area, £180 5s.—Harold W. Templeton.
 970. (1) Kew, Mental Hospital, repairs, &c., Gardener's cottage, £593.—F. E. Liston.
 971. (7) Kiewa, State School No. 1472, painting, &c., residence, £115 13s. 6d.—James Davis.
 972. (1) Allambee Reserve, State School No. 3501, repairs, renovations, and renewal of fencing, £468 15s.—W. J. Hay.
 973. (1) Bacchus Marsh, State School No. 28, provision of new floor to Infants' room, screen wall to laundry, and skylight and tank stand, £132.—P. McErvalde.
 974. (3) Ballan, Police Station, supply and installation of an electric hot-water service, £95 10s. 5d.—L. W. Wilson.
 975. (4) Ballarat, Girls' School, foundations, excavating, and concreting, £1,893 7s. 3d.—W. G. Feary and Sons.
 976. (1) Ballarat, School of Mines, electrical installation, £158.—H. W. Sarah.
 977. (2) Beaconsfield Upper, State School No. 2560, repairs and internal painting, £226 10s.—H. S. Bolger, junr.
 978. (1) Beechworth, Mental Hospital, supply and installation of meat rails, racks, &c., for the Butcher's Shop, £467 10s.—Butchers Service Eng. Co.
 979. (1) Clifton Hill, State School No. 3146, provision of new porch, £694 17s. 6d.—H. S. Bolger and Son.
 980. (1) Collingwood, Technical School, heightening balcony balustrade, £460.—James J. Lynch.
 981. (3) Creswick, State School No. 122, repairs, renovations, and improved natural lighting, £848 19s.—H. James and J. C. Rooney.
 982. (4) Donald, District Hospital, electrical installation, £2,350.—R. J. Wilson.
 983. (2) Drik Drik, State School No. 971, internal painting and renovations, £189 10s.—F. V. G. McCombe.
 984. (2) Ferndale, State School No. 3571, renovations, £443 10s.—Frederick J. White.
 985. (2) Gooram, State School No. 1755, repairs and painting, £248 10s.—Allan R. Davidson.
 986. (3) Greenvale, Sanatorium, supply and installation of household-type refrigerator, Foreman's residence, £112 10s.—Quirk's All-Australian Refrigerators Pty. Ltd.
 987. (3) Heatherton, Sanatorium, supply and installation of central heating and hot-water systems, Nurses' Home, £4,737.—Encon and Co.
 988. (1) Horsham, High School, supply and installation of a fuel hot-water service, kitchen and laundry, £144.—T. H. Stewart.
 989. (1) Lardner, State School No. 1711, improved lighting to classroom, repairs and painting, school and residence, £898 15s.—J. W. Short and Co.
 990. (1) Langwarrin North, State School No. 3531, repairs and painting, £515.—James Osborne.
 991. (1) Maryborough, Ladies' Benevolent Society, renovations, repairs, and painting to Men's Home, £573.—H. K. Christie.

992. (3) Melbourne, Public Offices, diversion of water and drains (Treasury-place), £1,177 13s.—Triplett and Prentice.
993. (1) Melbourne, Botanical Gardens, repairs and renovations, "E" Gate, residence, £718.—F. T. Pulling.
994. (3) Melbourne, Botanical Gardens, renovations to "C" Gate, residence, £360.—F. T. Pulling.
995. (1) Melbourne, 605 Flinders-street, Fumigation and Inspection Depot, alterations and additions, £1,590 10s.—H. S. Bolger and Son.
996. (1) Melbourne, Government House, renovations, £681 10s.—Pettigrews Pty. Ltd.
997. (3) Melbourne, Geological Museum, repairs and renovations, £678.—R. Bryant.
998. (1) Melbourne, 295 Queen-street, renovations to Secretary's room, £142.—L. W. Freizer.
999. (1) Carlton, Exhibition Building, Public Offices, cleaning, £5,600.—Brighter Cleaning Services.
1000. (1) Ararat, Mental Hospital, erection of stage and access steps at Recreation Hall, £233 2s.—Stawell Timber Industries Pty. Ltd.
1001. (4) Ararat, Mental Hospital, supply and delivery of two belt-driven washing machines at laundry, £986.—Hardie Trading Ltd.
1002. (1) Ararat, Mental Hospital, external repairs and painting, £11,997.—Keith G. Hooker and Co.
1003. (1) Ascot Vale, Showgrounds, renovations and repairs to roof, £196.—Melbourne Roofing Co.
1004. (1) Avoca, State School No. 4, supply and fixing new heating facilities, £111 10s.—C. S. Astbury.
1005. (1) Ballarat, Mental Hospital, provision of Drying Room, £274.—J. H. Brown and Son Pty. Ltd.

J. A. KENNEDY, Commissioner of Public Works. 22.8.49.

ORDERS IN COUNCIL.—(Series 1949-50.)

FORESTS COMMISSION.

Loan Act No. 5232, Item 8—

898. To the purchase of part of allotment 4b, Parish of Barwongemoong, containing 3 roods, more or less, for forest purposes, £60.—R. E. Webster, Colac.

Approved by the Governor in Council, 19th July, 1949.—
A. MAHLSTEDT, Clerk of the Executive Council.

STATE ELECTRICITY COMMISSION.

899. The supply of one set of stator windings for 300-h.p. synchronous motor, Yallourn, to Quotation No. 5239.—Australian General Electric Pty. Ltd.

900. The supply of six generator units for network analyser, to Specification No. 46-47/178.—Westinghouse, Rosebery Pty. Ltd.

Approved by the Governor in Council, 12th July, 1949.—
A. MAHLSTEDT, Clerk of the Executive Council.

901. The supply of one set automatic telephone apparatus for duplication of telephone exchange at Mt. Beauty, Kiewa Hydro-Electric Scheme, to Specification No. 49-50/20.—Automatic Electric Co. (A'asia) Pty. Ltd.

902. The supply of 839 indoor wall-mounting current transformers, to Specification No. 48-49/112.—B. and S. Electrical Pty. Ltd.

903. The supply of four Vauxhall sedan cars, to Quotation No. 1917.—S. A. Cheney Pty. Ltd.

904. The supply of 200 cast-steel corner cutters for tractors, Kiewa Hydro-Electric Scheme, to Quotation No. 343.—Davies and Baird Pty. Ltd.

905. The purchase of land having a frontage of 66 feet to the south side of Commercial-road, Korumburra, and improvements erected thereon, together with right-of-carriage-way over adjoining right-of-way on western side of such land 15 feet in width, for office and showroom site.—Executrices of the estate of the late William James Eccles.

906. The supply of twelve oil hydraulic driving motors for boiler-house mechanical grates, Yallourn Generating Station, to Quotation No. 222.—Engineering Products Pty. Ltd.

907. The extension to Co-operative Store Building, Mt. Beauty, Kiewa Hydro-Electric Scheme, to Specification No. 49-50/26.—G. C. and M. J. Harper.

908. The supply of 72 tons galvanized steel strand for transmission and distribution lines, to Quotation No. 709.—Industrial Supplies (Cambridge) Ltd.

909. The supply of spare parts for stokers, Newport "C" Generating Station, to Quotation No. 724.—International Combustion (Aust.) Pty. Ltd.

910. The supply of 5,000 cubic yards blue-metal spalls, Yallourn, to Quotation No. 710.—J. Kennedy.

911. The supply of one set extraction equipment for extracting steel sheet piling, Yallourn, to Quotation No. 6062.—Morison and Bearby Ltd.

912. The supply of one second-hand tractor-mounted slewing crane, Yallourn.—J. Murray.

913. The supply of one tool and cutter grinder, to Quotation No. 6147.—McPherson's Ltd.

914. The supply of 4,000 feet black steel wire rope, to Quotation No. 5740.—Noves Bros. (Melb.) Ltd.

915. The supply of 7,500 firebricks for furnaces, Newport Generating Station, to Quotation No. 392.—Ordish Firebrick Co. Pty. Ltd.

916. The supply of two pneumatic-tired fork lift trucks, to Specification No. 49-50/46.—Queen's Bridge Motor and Engineering Co. Pty. Ltd.

917. The supply of 52 protective relays for system protection, to Quotation No. 702.—R. and C. Thomas Bros. Pty. Ltd.

918. The supply of eighteen truck wheel assemblies, to Quotation No. 2426.—Tutt, Bryant (Vic.) Pty. Ltd.

919. The supply of 50 ammeters and 50 voltmeters for Metropolitan sub-stations, to Quotation No. 5534.—Victorian Meter Laboratory.

920. The supply of dry cells and batteries for a period of twelve months, to Specification No. 49-50/33.—Widdis Diamond Dry Cells Pty. Ltd.

921. The supply of one 3-yard clam-shell bucket and swivel for attachment to Buckeye power shovel, to Quotation No. 768.—Wunderlich Ltd.

922. The supply of two 500 kVA and four 150 kVA transformers for distribution sub-stations, Geelong area.—W. S. Yarrow and Son Pty. Ltd.

923. The supply of 525 tons galvanized iron, to Quotation No. 5574.—Australasian Asiatic Trading and Engineering Co. Pty. Ltd.

924. The supply of 600 tons galvanized iron, to Quotation No. 5574.—Harrisons, Ramsay Pty. Ltd.

Approved by the Governor in Council, 16th August, 1949.—
A. MAHLSTEDT, Clerk of the Executive Council.

4 GEORGE VI. No. 4755, SECTION 6.

I HEREBY give notice that on the 5th August, 1949, I filed an election to administer the following deceased person's estate, in accordance with section 6 of the *Public Trustee Act 1940*:—

SMITH, WILLIAM JOHN, late of Mount Royal, Parkville, quarryman, died 21st May, 1949, intestate.

I HEREBY give notice that on the 12th August, 1949, I filed elections to administer the following deceased persons' estates, in accordance with section 6 of the *Public Trustee Act 1940*:—

CONROY, CHARLES, late of Mount Royal, Parkville, pensioner, died 28th May, 1949, intestate.

DANAHY, DANIEL, late of Bamawm Extension, caretaker, died 22nd March, 1949, intestate.

*ROBERTSON, ANDREW ALEXANDER, also known as Andrew Robertson, late of 196 Pelham-street, Carlton, musician, died 3rd October, 1941.

SIMON, CARL FREDERICK, also known as Frederick Simon, late of Harrierville, farmer, died 30th May, 1949, intestate.

* According to the provisions of the will.

C. J. GARDNER,
Public Trustee.

412 Collins-street, Melbourne, C.1, 17th August, 1949.

NOTICE.

ADMINISTRATION of the estate of each of the under-mentioned deceased persons has been granted to me, and creditors, next of kin, and all others having claims against the estate of any of the persons so mentioned are required to send particulars of their claims to the Public Trustee, No. 412 Collins-street, Melbourne, on or before the 26th October, 1949, or they will be excluded from the distribution of the estate when the assets are being distributed:—

*AYLWARD, PATRICK, late of 55 Market-street, Kensington, pensioner, died 12th May, 1949.

CONROY, CHARLES, late of Mount Royal, Parkville, pensioner, died 28th May, 1949, intestate.

DANAHY, DANIEL, late of Bamawm Extension, caretaker, died 22nd March, 1949, intestate.

*DAVISON, WILLIAM WALTER FREDERICK, also known as William Davison, late of Auckland, New Zealand, clerk, died on or about 3rd January, 1949.

*ELLIS, HENRY ERNEST, late of 38 Barnard-grove, North Kew, retired public servant, died 21st May, 1949.

*KAY, JOHN ROBERT DYSON, late of Cockenzie, Scotland, merchant, died 22nd August, 1922.

MORTIMER, STELLA GLADYS ELIZABETH, sometimes known as Stella Gladys Elizabeth Harvey, and formerly Stella Gladys Elizabeth Olsen, formerly of Hillside, North Costerfield, but late of 66 King William-street, Fitzroy, married woman, died 21st January, 1949, intestate.

*NAGEL, ERNTRFRED THORVALD AUGUST, also known as Thomas Nagel, late of 92 Stanley-street, West Melbourne, retired tramway employee, died 25th June, 1949.

SIMON, CARL FREDERICK, also known as Frederick Simon, late of Harrierville, farmer, died 30th May, 1949, intestate.

SMITH, WILLIAM JOHN, late of Mount Royal, Parkville, quarryman, died 21st May, 1949, intestate.

WILLIAMS, WILLIAM HENRY, also known as John James Williams, late of 24 Punt-road, Windsor, gentleman, died 6th June, 1949, intestate.

* With the will annexed.

C. J. GARDNER,

Public Trustee.

Melbourne, 17th August, 1949.

Town and Country Planning Act 1944.

SHIRE OF TRARALGON.

INTERIM DEVELOPMENT ORDER.

WHEREAS by virtue of the powers conferred by the *Town and Country Planning Act 1944* and every other power enabling them in that behalf, the preparation of a planning scheme, in accordance with the said Act, has been commenced by the Council of the Shire of Traralgon (hereinafter referred to as the "Responsible Authority"), which hereby makes the following Interim Development Order:—

1. The development of all land referred to in the Schedule, and the erection, construction, and carrying out of any building, roads, or other works on any of the said land is hereby prohibited.

2. Any person may apply to the Responsible Authority for permission to develop, subdivide, or otherwise use any land or erect or construct any building, roads, or other works during the operation of this Order.

3. Any application for permission to develop, subdivide, or otherwise use any land or erect or construct any building, roads, or other works may be granted by the Responsible Authority, subject to such conditions as are specified in the permit, or may be refused.

4. Any owner of land who, after the service of a copy of this Order, contravenes any of the provisions contained herein shall, when directed by notice in writing, remove, pull down, take up, or alter any building, road, or other works, and if any owner fails to do so within the time specified by the notice the Responsible Authority may carry out all or any of such works, and recover all expenses incurred after due notice has been given to the owner, lessee, and/or occupier, in accordance with the provisions of section 12, sub-section 3, of the Act.

5. None of the provisions of this Order shall prohibit the continuance of the use of any land or buildings for the purpose for which it was used immediately before the coming into operation of this Order.

6. This Order shall remain in operation until the approval of the planning scheme, in accordance with the *Town and Country Planning Act 1944*, or until this Interim Development Order is revoked by the Governor in Council.

7. Schedule of land affected:—

"All of allotments 31, 32, and 44, Parish of Traralgon, and that portion of allotment 49, Parish of Traralgon, not already included under the Interim Development Order as gazetted in *Victoria Government Gazette* No. 16, dated 15th January, 1947."

The common seal of the President, Councillors, and Ratepayers of the Shire of Traralgon was hereto affixed this 4th day of August, 1949, in the presence of—

(SEAL) JAMES T. RILEY, President.
R. A. COLLIER, Councillor.
C. R. LEWIS, Councillor.
H. F. DONALD, Secretary.

Report by the Town and Country Planning Board on the 17th day of August, 1949. Recommended for approval.
—J. S. GAWLER, Chairman.

Approved by the Governor in Council,
23rd August, 1949.

A. MAHLSTEDT,
Clerk of the Executive Council.

Dairy Products Acts.

QUOTAS FOR BUTTER AND CHEESE.

BUTTER QUOTA.

I. ALEXANDER HENRY DENNETT, Minister of Agriculture in the State of Victoria, after consultation with the Victorian Dairy Products Board, and after ascertaining that the supply and distribution of butter at reasonable prices to consumers thereof in Victoria will be ensured, hereby determine a quota for butter as follows:—

The proportion shall be Forty-nine point nought six per cent.

The period for which this quota is to operate shall be the month of September, 1949.

CHEESE QUOTA.

I. ALEXANDER HENRY DENNETT, Minister of Agriculture in the State of Victoria, after consultation with the Victorian Dairy Products Board, and after ascertaining that the supply and distribution of cheese at reasonable prices to consumers thereof in Victoria will be ensured, hereby determine a quota for cheese as follows:—

The proportion shall be Thirty-three point five seven per cent.

The period for which this quota is to operate shall be the month of September, 1949.

A. H. DENNETT,

Minister of Agriculture.

22nd August, 1949.

CHIEF ELECTRICAL INSPECTOR.—VICTORIA.

RESTRICTIONS ON ELECTRICAL APPARATUS REGULATIONS.

Consent for Specified Apparatus or Appliances.

PURSUANT to the Restrictions on Electrical Apparatus Regulations, the Chief Electrical Inspector, Victoria, in exercise of the powers and authority conferred upon him, hereby consents to the installation, the connexion, and subject as hereunder set out, the use of the electrical elements of the apparatus or appliances referred to in the above-mentioned Regulations in the areas set out in the Schedule hereto, until further notice.

The consent herein referred to may be determined by at least one month's notice published in the *Government Gazette*.

This consent, so far as it relates to the use of elements, is given on the condition that all restrictions which may from time to time be imposed by virtue of or pursuant to the Restrictions on Use of Electricity Regulations, shall be observed in the use of such elements, and does not extend to the use of electricity in contravention of any such restrictions.

THE SCHEDULE ABOVE REFERRED TO.

All areas in Victoria in which electricity is not supplied either by the State Electricity Commission of Victoria or by the Mayor, Councillors, and Citizens of the City of Mildura, or by some undertakers under the *Electric Light and Power Act 1928* who obtain electricity from the State Electricity Commission of Victoria.

G. T. CUTHBERT,

Chief Electrical Inspector, Victoria.

247 Flinders-lane, Melbourne, C.I.,
23rd August, 1949.

CHIEF ELECTRICAL INSPECTOR.—VICTORIA.

RESTRICTIONS ON ELECTRICAL APPARATUS REGULATIONS.

Consent for Specified Apparatus or Appliances.

PURSUANT to the Restrictions on Electrical Apparatus Regulations, the Chief Electrical Inspector, Victoria, in exercise of the powers and authority conferred upon him, hereby consents to the installation, the connexion, and subject as hereunder set out, the use of the electrical elements of the apparatus or appliances referred to in the Schedule hereto, in areas supplied with electricity by the Mayor, Councillors, and Citizens of the City of Mildura, until further notice.

The consent herein referred to may be determined by at least one month's notice published in the *Government Gazette*.

This consent, so far as it relates to the use of elements, is given on the condition that all restrictions which may from time to time be imposed by virtue of or pursuant to the Restrictions on Use of Electricity Regulations, shall

be observed in the use of such elements, and does not extend to the use of electricity in contravention of any such restrictions.

THE SCHEDULE ABOVE REFERRED TO.

Electric hot-water jugs.
Kettles.
Any sink type water heater in which the element does not exceed a capacity of 1,000 watts.
Urns for commercial and industrial premises.
Wash coppers.
Sterilizers for registered hospitals, doctors' or dentists' surgeries.

G. T. CUTHBERT,
Chief Electrical Inspector, Victoria.
247 Flinders-lane, Melbourne, C.1,
23rd August, 1949

CHIEF ELECTRICAL INSPECTOR.—VICTORIA.

RESTRICTIONS ON ELECTRICAL APPARATUS REGULATIONS.
Quota Consent for Water Heating Systems Supplied by Named Persons.

PURSUANT to and for the purposes of the Restrictions on Electrical Apparatus Regulations, the Chief Electrical Inspector, Victoria, hereby consents to the installation, the connexion, and subject as hereunder set out, the use in areas supplied with electricity by the Mayor, Councillors, and Citizens of the City of Mildura of 93 electrical elements for the heating of water, each of a capacity not exceeding 3 kW., and each forming part of each of a number of hot-water systems supplied by the person whose name is set out opposite to that number in a list which the Chief Electrical Inspector, Victoria, has deposited with the Chamber of Manufactures, 312 Flinders-street, Melbourne, provided that at the time when the element is installed and at the time when it is connected there is fixed to the outer casing of the apparatus containing the element and applied in such a manner as to be conspicuous while the system is installed, an allocation label provided by the Chief Electrical Inspector, Victoria, to the said named person for the purpose of being so fixed. The label is to be in the form set out hereunder:—

CHIEF ELECTRICAL INSPECTOR, VICTORIA:
—
ELECTRIC HOT WATER SYSTEM.
—
Allocation No.....
G. T. CUTHBERT, Chief Electrical Inspector, Victoria.

Any consent so far as it relates to the use of elements is given on the condition that all restrictions which may from time to time be imposed by virtue of or pursuant to the Restrictions on Use of Electricity Regulations, shall be observed in the use of such elements, and does not extend to the use of electricity in contravention of any such restrictions.

G. T. CUTHBERT,
Chief Electrical Inspector, Victoria.
247 Flinders-lane, Melbourne, C.1,
23rd August, 1949.

MILK BOARD ACT 1933 (No. 4183).

At the Executive Council Chamber, Melbourne, the sixteenth day of August, 1949.

PRESENT:
His Excellency the Lieutenant-Governor of Victoria.
Mr. Oldham | Mr. Kennedy.

APPOINTMENT OF MEMBER AND CHAIRMAN OF THE MILK BOARD:

IN pursuance of the powers conferred by the *Milk Board Act 1933*, His Excellency the Lieutenant-Governor of the State of Victoria, by and with the advice of the Executive Council thereof, doth by this Order hereby appoint Mervyn Harold Rankin to be a member of the Milk Board, and doth further appoint the said Mervyn Harold Rankin to be Chairman of the said Board for a term of five (5) years.

And the Honorable Alexander Henry Dennett, His Majesty's Minister of Agriculture for the State of Victoria, shall give the necessary directions herein accordingly.

A. MAHLSTEDT,
Clerk of the Executive Council.

STATE DEVELOPMENT ACTS.

At the Executive Council Chamber, Melbourne, the sixteenth day of August, 1949.

PRESENT:

His Excellency the Lieutenant-Governor of Victoria.
Mr. Oldham | Mr. Kennedy.

APPOINTMENT OF A NEW MEMBER OF THE STATE DEVELOPMENT COMMITTEE.

WHEREAS by an Order in Council made on the eighteenth day of December, 1947, the Governor in Council, pursuant to the State Development Acts, appointed Lieutenant-Colonel John Alexander Hipworth, E.D., M.L.A., to be a member of the State Development Committee: And whereas the said Lieutenant-Colonel John Alexander Hipworth, E.D., M.L.A., has resigned as a member of the said Committee: Now therefore, His Excellency the Lieutenant-Governor of the State of Victoria, by and with the advice of the Executive Council thereof, and in pursuance of the powers conferred by the State Development Acts, doth by this Order appoint—

RICHARD KEATS BROSE, M.L.A.,
to be a member of the said Committee.

And the Honorable James Arthur Kennedy, for and on behalf of His Majesty's Premier for the State of Victoria, shall give the necessary directions herein accordingly.

A. MAHLSTEDT,
Clerk of the Executive Council.

PATRIOTIC FUNDS ACTS.

At the Executive Council Chamber, Melbourne, the sixteenth day of August, 1949.

PRESENT:

His Excellency the Lieutenant-Governor of Victoria.
Mr. Oldham | Mr. Kennedy.

APPOINTMENT OF TRUSTEES OF A PATRIOTIC FUND.

WHEREAS it is provided in the Patriotic Funds Acts, that where there are no trustees of any Patriotic Fund or where, in the opinion of the Governor in Council, the trustees of any Patriotic Fund cannot be ascertained or found, the Governor in Council may by Order in Council published in the *Government Gazette* appoint a person to be trustee of such fund:

Now therefore, in pursuance of the powers conferred in the said Acts, His Excellency the Lieutenant-Governor of the State of Victoria, by and with the advice of the Executive Council thereof and upon the recommendation of the Patriotic Funds Council of Victoria, doth by this Order appoint trustees, as named hereunder, to the Patriotic Fund known as the Show Grounds Canteen Air Force Patriotic Fund:—

LOUIS MONOD,
FRANCIS WILLIAM FELLOWES LUKIS, C.B.E.,
ALBERT RICHARD ROBERTS, and
MISS GERTRUDE DAVIS.

And the Honorable Thomas Tuke Hollway, His Majesty's Premier for the State of Victoria, shall give the necessary directions herein accordingly.

A. MAHLSTEDT,
Clerk of the Executive Council.

Apprenticeship Acts.
APPRENTICESHIP COMMISSION OF VICTORIA.

At the Executive Council Chamber, Melbourne, the
sixteenth day of August, 1949.

PRESENT:

His Excellency the Lieutenant-Governor of Victoria.
Mr. Oldham | Mr. Kennedy.

AMENDMENT OF DENTAL MECHANIC TRADE
REGULATIONS (No. 1).

IN pursuance of the powers conferred by the Apprenticeship Acts and the Acts Interpretation Acts, His Excellency the Lieutenant-Governor of the State of Victoria, by and with the advice of the Executive Council thereof, doth hereby make the following Regulations, that is to say:—

1. Regulation 9 of the Dental Mechanic Trade Regulations (No. 1) shall be and the same is hereby rescinded as from the beginning of the first pay period to commence in August, 1949.

2. Such rescission shall not affect any right accrued or accruing to any person or any liability of any person under the said rescinded Regulation before the commencement of these Regulations.

3. For the said rescinded Regulation the following Regulation shall be substituted:—

"9. The minimum rates of pay to be paid as wages to apprentices in the said trade in each year of their apprenticeship course shall be as follows as from the beginning of the first pay period to commence in August, 1949, on, from, and after which date all indentures of apprenticeship heretofore executed under the provisions of the Acts and Regulations made in respect of the aforesaid trade shall be deemed to be amended accordingly—

- 1st year—at the rate of 32s. 6d. per week.
- 2nd year—at the rate of 42s. 6d. per week.
- 3rd year—at the rate of 59s. 0d. per week.
- 4th year—at the rate of 86s. 6d. per week.
- 5th year—at the rate of 129s. 0d. per week."

AMENDMENT OF WATCH AND/OR CLOCK
MAKING TRADES REGULATIONS (No. 1).

IN pursuance of the powers conferred by the Apprenticeship Acts and the Acts Interpretation Acts, His Excellency the Lieutenant-Governor of the State of Victoria, by and with the advice of the Executive Council thereof, doth hereby make the following Regulations, that is to say:—

1. Regulation 9 of the Watch and/or Clock Making Trades Regulations (No. 1) shall be and the same is hereby rescinded as from the beginning of the first pay period to commence in August, 1949.

2. Such rescission shall not affect any right accrued or accruing to any person or any liability of any person under the said rescinded Regulation before the commencement of these Regulations.

3. For the said rescinded Regulation the following Regulation shall be substituted:—

"9. The minimum rates of pay to be paid as wages to apprentices in the said trades in each year of their apprenticeship course shall be as follows as from the beginning of the first pay period to commence in August, 1949, on, from, and after which date all indentures of apprenticeship heretofore executed under the aforesaid trades shall be deemed to be amended accordingly—

- 1st year—at the rate of 33s. 6d. per week.
- 2nd year—at the rate of 43s. 6d. per week.
- 3rd year—at the rate of 60s. 6d. per week.
- 4th year—at the rate of 82s. 6d. per week.
- 5th year—at the rate of 109s. 6d. per week.
- 6th year—at the rate of 141s. 0d. per week."

AMENDMENT OF PASTRYCOOKING TRADE
REGULATIONS (No. 1).

IN pursuance of the powers conferred by the Apprenticeship Acts and the Acts Interpretation Acts, His Excellency the Lieutenant-Governor of the State of Victoria, by and with the advice of the Executive Council thereof, doth hereby make the following Regulations, that is to say:—

1. Regulation 10 of the Pastrycooking Trade Regulations (No. 1) shall be and the same is hereby rescinded as from the beginning of the first pay period to commence in August, 1949.

No. 732.—8415/49.—2

2. Such rescission shall not affect any right accrued or accruing to any person or any liability of any person under the said rescinded Regulation before the commencement of these Regulations.

3. For the said rescinded Regulation the following Regulation shall be substituted:—

"10. The minimum rates of pay to be paid as wages to apprentices in the said trade in each year of their apprenticeship course shall be as follows as from the beginning of the first pay period to commence in August, 1949, on, from, and after which date all indentures of apprenticeship heretofore executed under the provisions of the Acts and Regulations made in respect of the aforesaid trade shall be deemed to be amended accordingly—

(a) With respect to the term of apprenticeship of five years—

- 1st year—at the rate of 30s. 9d. per week.
- 2nd year—at the rate of 42s. 3d. per week.
- 3rd year—at the rate of 56s. 9d. per week.
- 4th year—at the rate of 82s. 0d. per week.
- 5th year—at the rate of 112s. 3d. per week.

(b) With respect to the term of apprenticeship of four years—

- 1st year—at the rate of 42s. 3d. per week.
- 2nd year—at the rate of 56s. 9d. per week.
- 3rd year—at the rate of 82s. 0d. per week.
- 4th year—at the rate of 112s. 3d. per week."

AMENDMENT OF LADIES' AND/OR MEN'S
HAIRDRESSING TRADES REGULATIONS (No. 1).

IN pursuance of the powers conferred by the Apprenticeship Acts and the Acts Interpretation Acts, His Excellency the Lieutenant-Governor of the State of Victoria, by and with the advice of the Executive Council thereof, doth hereby make the following Regulations, that is to say:—

1. Regulation 10 of the Ladies' and/or Men's Hairdressing Trades Regulations (No. 1) shall be and the same is hereby rescinded as from the beginning of the first pay period to commence in August, 1949.

2. Such rescission shall not affect any right accrued or accruing to any person or any liability of any person under the said rescinded Regulation before the commencement of these Regulations.

3. For the said rescinded Regulation the following Regulation shall be substituted:—

"10. The minimum rates of pay to be paid as wages to apprentices in the said trades in each year of their apprenticeship course shall be as follows as from the beginning of the first pay period to commence in August, 1949, on, from, and after which date all indentures of apprenticeship heretofore executed under the provisions of the Acts and Regulations made in respect of the aforesaid trades shall be deemed to be amended accordingly—

Ladies' Hairdressing.

- 1st year—at the rate of 27s. 0d. per week.
- 2nd year—at the rate of 37s. 6d. per week.
- 3rd year—at the rate of 56s. 6d. per week.
- 4th year—at the rate of 85s. 9d. per week.

Men's Hairdressing.

- 1st year—at the rate of 32s. 0d. per week.
- 2nd year—at the rate of 48s. 3d. per week.
- 3rd year—at the rate of 69s. 9d. per week.
- 4th year—at the rate of 109s. 9d. per week.

Ladies' and Men's Hairdressing.

- 1st year—at the rate of 32s. 0d. per week.
- 2nd year—at the rate of 48s. 3d. per week.
- 3rd year—at the rate of 69s. 9d. per week.
- 4th year—at the rate of 109s. 9d. per week.
- 5th year—at the rate of 138s. 0d. per week."

AMENDMENT OF ELECTRICAL TRADES
REGULATIONS.

IN pursuance of the powers conferred by the Apprenticeship Acts and the Acts Interpretation Acts, His Excellency the Lieutenant-Governor of the State of Victoria, by and with the advice of the Executive Council thereof, doth hereby make the following Regulations, that is to say:—

1. Regulation 9 of the Electrical Trades Regulations shall be and the same is hereby rescinded as from the beginning of the first pay period to commence in August, 1949.

2. Such rescission shall not affect any right accrued or accruing to any person or any liability of any person under the said rescinded Regulation before the commencement of these Regulations.

3. For the said rescinded Regulation the following Regulation shall be substituted:—

"9. The minimum rates of pay to be paid as wages to apprentices in the said trades in each year of their apprenticeship course shall be as follows as from the beginning of the first pay period to commence in August, 1949, on, from, and after which date all indentures of apprenticeship heretofore executed under the provisions of the Acts and Regulations made in respect of the aforesaid trades shall be deemed to be amended accordingly—

Within 20 miles G.P.O., Melbourne, within 10 miles G.P.O., Geelong, at Warrnambool, and within Mildura and Gippsland districts.

1st year—at the rate of 31s. 0d. per week.
2nd year—at the rate of 42s. 6d. per week.
3rd year—at the rate of 64s. 0d. per week.
4th year—at the rate of 105s. 6d. per week.
5th year—at the rate of 133s. 0d. per week.

At Yallourn.

1st year—at the rate of 33s. 0d. per week.
2nd year—at the rate of 44s. 6d. per week.
3rd year—at the rate of 67s. 0d. per week.
4th year—at the rate of 111s. 0d. per week.
5th year—at the rate of 139s. 6d. per week.

Other Parts of Victoria where this Regulation Applies.

1st year—at the rate of 30s. 6d. per week.
2nd year—at the rate of 41s. 6d. per week.
3rd year—at the rate of 62s. 6d. per week.
4th year—at the rate of 103s. 0d. per week.
5th year—at the rate of 130s. 0d. per week."

AMENDMENT OF MOULDING TRADES REGULATIONS (No. 2).

IN pursuance of the powers conferred by the Apprenticeship Acts and the Acts Interpretation Acts, His Excellency the Lieutenant-Governor of the State of Victoria, by and with the advice of the Executive Council thereof, doth hereby make the following Regulations, that is to say:—

1. Regulation 8 of the Moulding Trades Regulations (No. 2) shall be and the same is hereby rescinded as from the beginning of the first pay period to commence in August, 1949.

2. Such rescission shall not affect any right accrued or accruing to any person or any liability of any person under the said rescinded Regulation before the commencement of these Regulations.

3. For the said rescinded Regulation the following Regulation shall be substituted:—

"8. The minimum rates of pay to be paid as wages to apprentices in the said trades in each year of their apprenticeship course shall be as follows as from the beginning of the first pay period to commence in August, 1949, on, from, and after which date all indentures of apprenticeship heretofore executed under the provisions of the Acts and Regulations made in respect of the aforesaid trades shall be deemed to be amended accordingly—

(a) With respect to the term of apprenticeship of five years—

1st year—at the rate of 31s. 0d. per week.
2nd year—at the rate of 42s. 6d. per week.
3rd year—at the rate of 64s. 0d. per week.
4th year—at the rate of 105s. 6d. per week.
5th year—at the rate of 133s. 0d. per week.

(b) With respect to the term of apprenticeship of four years—

1st year—at the rate of 36s. 0d. per week.
2nd year—at the rate of 63s. 6d. per week.
3rd year—at the rate of 105s. 6d. per week.
4th year—at the rate of 133s. 0d. per week."

AMENDMENT OF SHEET METAL TRADE REGULATIONS (No. 2).

IN pursuance of the powers conferred by the Apprenticeship Acts and the Acts Interpretation Acts, His Excellency the Lieutenant-Governor of the State of Victoria, by and with the advice of the Executive Council thereof, doth hereby make the following Regulations, that is to say:—

1. Regulation 7 of the Sheet Metal Trade Regulations (No. 2) shall be and the same is hereby rescinded as from the beginning of the first pay period to commence in August, 1949.

2. Such rescission shall not affect any right accrued or accruing to any person or any liability of any person under the said rescinded Regulation before the commencement of these Regulations.

3. For the said rescinded Regulation the following Regulation shall be substituted:—

"7. The minimum rates of pay to be paid as wages to apprentices in the said trade in each year of their apprenticeship course shall be as follows as from the beginning of the first pay period to commence in August, 1949, on, from, and after which date all indentures of apprenticeship heretofore executed under the provisions of the Acts and Regulations made in respect of the aforesaid trade shall be deemed to be amended accordingly—

(a) With respect to the term of apprenticeship of five years—

1st year—at the rate of 31s. 0d. per week.
2nd year—at the rate of 42s. 6d. per week.
3rd year—at the rate of 64s. 0d. per week.
4th year—at the rate of 105s. 6d. per week.
5th year—at the rate of 133s. 0d. per week.

(b) With respect to the term of apprenticeship of four years—

1st year—at the rate of 36s. 0d. per week.
2nd year—at the rate of 63s. 6d. per week.
3rd year—at the rate of 105s. 6d. per week.
4th year—at the rate of 133s. 0d. per week."

AMENDMENT OF BOILERMAKING AND/OR STEEL CONSTRUCTION TRADES REGULATIONS (No. 2).

IN pursuance of the powers conferred by the Apprenticeship Acts and the Acts Interpretation Acts, His Excellency the Lieutenant-Governor of the State of Victoria, by and with the advice of the Executive Council thereof, doth hereby make the following Regulations, that is to say:—

1. Regulation 7 of the Boilermaking and/or Steel Construction Trades Regulations (No. 2) shall be and the same is hereby rescinded as from the beginning of the first pay period to commence in August, 1949.

2. Such rescission shall not affect any right accrued or accruing to any person or any liability of any person under the said rescinded Regulation before the commencement of these Regulations.

3. For the said rescinded Regulation the following Regulation shall be substituted:—

"7. The minimum rates of pay to be paid as wages to apprentices in the said trades in each year of their apprenticeship course shall be as follows as from the beginning of the first pay period to commence in August, 1949, on, from, and after which date all indentures of apprenticeship heretofore executed under the provisions of the Acts and Regulations made in respect of the aforesaid trades shall be deemed to be amended accordingly—

(a) With respect to the term of apprenticeship of five years—

1st year—at the rate of 31s. 0d. per week.
2nd year—at the rate of 42s. 6d. per week.
3rd year—at the rate of 64s. 0d. per week.
4th year—at the rate of 105s. 6d. per week.
5th year—at the rate of 133s. 0d. per week.

(b) With respect to the term of apprenticeship of four years—

1st year—at the rate of 36s. 0d. per week.
2nd year—at the rate of 63s. 6d. per week.
3rd year—at the rate of 105s. 6d. per week.
4th year—at the rate of 133s. 0d. per week."

AMENDMENT OF ELECTROPLATING TRADE REGULATIONS (No. 1).

IN pursuance of the powers conferred by the Apprenticeship Acts and the Acts Interpretation Acts, His Excellency the Lieutenant-Governor of the State of Victoria, by and with the advice of the Executive Council thereof, doth hereby make the following Regulations, that is to say:—

1. Regulation 9 of the Electroplating Trade Regulations (No. 1) shall be and the same is hereby rescinded as from the beginning of the first pay period to commence in August, 1949.

2. Such rescission shall not affect any right accrued or accruing to any person or any liability of any person under the said rescinded Regulation before the commencement of these Regulations.

3. For the said rescinded Regulation the following Regulation shall be substituted:—

"9. The minimum rates of pay to be paid as wages to apprentices in the said trade in each year of their apprenticeship course shall be as follows as from the beginning of the first pay period to commence in August, 1949, on, from, and after which date all indentures of apprenticeship heretofore executed under the provisions of the Acts and Regulations made in respect of the aforesaid trade shall be deemed to be amended accordingly—

(a) With respect to the term of apprenticeship of five years—

1st year—at the rate of 31s. 0d. per week.
2nd year—at the rate of 42s. 6d. per week.
3rd year—at the rate of 64s. 0d. per week.
4th year—at the rate of 105s. 6d. per week.
5th year—at the rate of 133s. 0d. per week.

(b) With respect to the term of apprenticeship of four years—

1st year—at the rate of 36s. 0d. per week.
2nd year—at the rate of 63s. 6d. per week.
3rd year—at the rate of 105s. 6d. per week.
4th year—at the rate of 133s. 0d. per week.

AMENDMENT OF ENGINEERING TRADES REGULATIONS (No. 4).

IN pursuance of the powers conferred by the Apprenticeship Acts and the Acts Interpretation Acts, His Excellency the Lieutenant-Governor of the State of Victoria, by and with the advice of the Executive Council thereof, doth hereby make the following Regulations, that is to say:—

1. This Regulation shall apply to the whole of the State of Victoria outside and excepting the metropolitan district.

2. Regulation 10 of the Engineering Trades Regulations (No. 4) shall be and the same is hereby rescinded as from the beginning of the first pay period to commence in August, 1949.

3. Such rescission shall not affect any right accrued or accruing to any person or any liability of any person under the said rescinded Regulation before the commencement of these Regulations.

4. For the said rescinded Regulation the following Regulation shall be substituted:—

"10. The minimum rates of pay to be paid as wages to apprentices in the said trades in each year of their apprenticeship course shall be as follows as from the beginning of the first pay period to commence in August, 1949, on, from, and after which date all indentures of apprenticeship heretofore executed under the provisions of the Acts and Regulations made in respect of the aforesaid trades shall be deemed to be amended accordingly—

Within 10 miles of G.P.O., Geelong, at Warrnambool, and within Mildura and Gippsland districts.

(a) With respect to the term of apprenticeship of five years—

1st year—at the rate of 31s. 0d. per week.
2nd year—at the rate of 42s. 6d. per week.
3rd year—at the rate of 64s. 0d. per week.
4th year—at the rate of 105s. 6d. per week.
5th year—at the rate of 133s. 0d. per week.

(b) With respect to the term of apprenticeship of four years—

1st year—at the rate of 36s. 0d. per week.
2nd year—at the rate of 63s. 6d. per week.
3rd year—at the rate of 105s. 6d. per week.
4th year—at the rate of 133s. 0d. per week.

At Yallourn.

(a) With respect to the term of apprenticeship of five years—

1st year—at the rate of 33s. 0d. per week.
2nd year—at the rate of 44s. 6d. per week.
3rd year—at the rate of 67s. 0d. per week.
4th year—at the rate of 111s. 0d. per week.
5th year—at the rate of 139s. 6d. per week.

(b) With respect to the term of apprenticeship of four years—

1st year—at the rate of 38s. 0d. per week.
2nd year—at the rate of 66s. 6d. per week.
3rd year—at the rate of 111s. 0d. per week.
4th year—at the rate of 139s. 6d. per week.

Other parts of Victoria where this Regulation applies.

(a) With respect to the term of apprenticeship of five years—

1st year—at the rate of 30s. 6d. per week.
2nd year—at the rate of 41s. 6d. per week.
3rd year—at the rate of 62s. 6d. per week.
4th year—at the rate of 103s. 0d. per week.
5th year—at the rate of 130s. 0d. per week.

(b) With respect to the term of apprenticeship of four years—

1st year—at the rate of 35s. 6d. per week.
2nd year—at the rate of 62s. 0d. per week.
3rd year—at the rate of 103s. 0d. per week.
4th year—at the rate of 130s. 0d. per week.

The sum of 4s. 0d. per week shall be added to the above rates where the apprentice is in the trade of Pattern-making."

AMENDMENT OF ENGINEERING TRADES REGULATIONS (No. 2).

IN pursuance of the powers conferred by the Apprenticeship Acts and the Acts Interpretation Acts, His Excellency the Lieutenant-Governor of the State of Victoria, by and with the advice of the Executive Council thereof, doth hereby make the following Regulations, that is to say:—

1. Regulation 7 of the Engineering Trades Regulations (No. 2) shall be and the same is hereby rescinded as from the beginning of the first pay period to commence in August, 1949.

2. Such rescission shall not affect any right accrued or accruing to any person or any liability of any person under the said rescinded Regulation before the commencement of these Regulations.

3. For the said rescinded Regulation the following Regulation shall be substituted:—

"7. The minimum rates of pay to be paid as wages to apprentices in the said trades in each year of their apprenticeship course shall be as follows as from the beginning of the first pay period to commence in August, 1949, on, from, and after which date all indentures of apprenticeship heretofore executed under the provisions of the Acts and Regulations made in respect of the aforesaid trades shall be deemed to be amended accordingly—

(a) With respect to the terms of apprenticeship of five years—

1st year—at the rate of 31s. 0d. per week.
2nd year—at the rate of 42s. 6d. per week.
3rd year—at the rate of 64s. 0d. per week.
4th year—at the rate of 105s. 6d. per week.
5th year—at the rate of 133s. 0d. per week.

(b) With respect to the term of apprenticeship of four years—

1st year—at the rate of 36s. 0d. per week.
2nd year—at the rate of 63s. 6d. per week.
3rd year—at the rate of 105s. 6d. per week.
4th year—at the rate of 133s. 0d. per week.

The sum of 4s. 0d. per week shall be added to the above rates where the apprentice is in the trade of Pattern-making."

AMENDMENT OF BRICKLAYING TRADE REGULATIONS (No. 1).

IN pursuance of the powers conferred by the Apprenticeship Acts and the Acts Interpretation Acts, His Excellency the Lieutenant-Governor of the State of Victoria, by and with the advice of the Executive Council thereof, doth hereby make the following Regulations, that is to say:—

1. Regulation 10 of the Bricklaying Trade Regulations (No. 1) shall be and the same is hereby rescinded as from the beginning of the first pay period to commence in August, 1949.

2. Such rescission shall not affect any right accrued or accruing to any person or any liability of any person under the said rescinded Regulation before the commencement of these Regulations.

3. For the said rescinded Regulation the following Regulation shall be substituted:—

"10. The minimum rates of pay to be paid as wages to apprentices in the said trade in each year of their apprenticeship course shall be as follows as from the beginning of the first pay period to commence in August, 1949, on, from, and after which date all indentures of apprenticeship heretofore executed under

the provisions of the Acts and Regulations made in respect of the aforesaid trade shall be deemed to be amended accordingly—

- 1st year—at the rate of 37s. 0d. per week.
- 2nd year—at the rate of 49s. 6d. per week.
- 3rd year—at the rate of 68s. 0d. per week.
- 4th year—at the rate of 96s. 0d. per week.
- 5th year—at the rate of 125s. 0d. per week."

AMENDMENT OF PAINTING, DECORATING, AND SIGNWRITING REGULATIONS (No. 2).

IN pursuance of the powers conferred by the Apprenticeship Acts and the Acts Interpretation Acts, His Excellency the Lieutenant-Governor of the State of Victoria, by and with the advice of the Executive Council thereof, doth hereby make the following Regulations, that is to say:—

1. Regulation 8 of the Painting, Decorating, and Signwriting Regulations (No. 2) shall be and the same is hereby rescinded as from the beginning of the first pay period to commence in August, 1949.

2. Such rescission shall not affect any right accrued or accruing to any person or any liability of any person under the said rescinded Regulation before the commencement of these Regulations.

3. For the said rescinded Regulation the following Regulation shall be substituted:—

"8. The minimum rates of pay to be paid as wages to apprentices in the said trades in each year of their apprenticeship course shall be as follows as from the beginning of the first pay period to commence in August, 1949, on, from, and after which date all indentures of apprenticeship heretofore executed under the provisions of the Acts and Regulations made in respect of the aforesaid trades shall be deemed to be amended accordingly—

- 1st year—at the rate of 37s. 0d. per week.
- 2nd year—at the rate of 49s. 6d. per week.
- 3rd year—at the rate of 68s. 0d. per week.
- 4th year—at the rate of 96s. 0d. per week.
- 5th year—at the rate of 125s. 0d. per week."

AMENDMENT OF PLUMBING AND GASFITTING REGULATIONS (No. 3).

IN pursuance of the powers conferred by the Apprenticeship Acts and the Acts Interpretation Acts, His Excellency the Lieutenant-Governor of the State of Victoria, by and with the advice of the Executive Council thereof, doth hereby make the following Regulations, that is to say:—

1. Regulation 4 of the Plumbing and Gasfitting Regulations (No. 3) shall be and the same is hereby rescinded as from the beginning of the first pay period to commence in August, 1949.

2. Such rescission shall not affect any right accrued or accruing to any person or any liability of any person under the said rescinded Regulation before the commencement of these Regulations.

3. For the said rescinded Regulation the following Regulation shall be substituted:—

"4. The minimum rates of pay to be paid as wages to apprentices in the said trades in each year of their apprenticeship course shall be as follows as from the beginning of the first pay period to commence in August, 1949, on, from, and after which date all indentures of apprenticeship heretofore executed under the provisions of the Acts and Regulations made in respect of the aforesaid trades shall be deemed to be amended accordingly—

(a) With respect to the term of apprenticeship of six years—

- 1st year—at the rate of 37s. 0d. per week.
- 2nd year—at the rate of 49s. 6d. per week.
- 3rd year—at the rate of 68s. 0d. per week.
- 4th year—at the rate of 96s. 0d. per week.
- 5th year—at the rate of 125s. 0d. per week.
- 6th year—at the rate of 155s. 0d. per week.

(b) With respect to the term of apprenticeship of five years—

- 1st year—at the rate of 37s. 0d. per week.
- 2nd year—at the rate of 49s. 6d. per week.
- 3rd year—at the rate of 68s. 0d. per week.
- 4th year—at the rate of 96s. 0d. per week.
- 5th year—at the rate of 125s. 0d. per week."

AMENDMENT OF CARPENTRY AND JOINERY REGULATIONS (No. 2).

IN pursuance of the powers conferred by the Apprenticeship Acts and the Acts Interpretation Acts, His Excellency the Lieutenant-Governor of the State of Victoria, by and with the advice of the Executive Council thereof, doth hereby make the following Regulations, that is to say:—

1. Regulation 8 of the Carpentry and Joinery Regulations (No. 2) shall be and the same is hereby rescinded as from the beginning of the first pay period to commence in August, 1949.

2. Such rescission shall not affect any right accrued or accruing to any person or any liability of any person under the said rescinded Regulation before the commencement of these Regulations.

3. For the said rescinded Regulation the following Regulation shall be substituted:—

"8. The minimum rates of pay to be paid as wages to apprentices in the said trades in each year of their apprenticeship course shall be as follows as from the beginning of the first pay period to commence in August, 1949, on, from, and after which date all indentures of apprenticeship heretofore executed under the provisions of the Acts and Regulations made in respect of the aforesaid trades shall be deemed to be amended accordingly—

- 1st year—at the rate of 37s. 0d. per week.
- 2nd year—at the rate of 49s. 6d. per week.
- 3rd year—at the rate of 68s. 0d. per week.
- 4th year—at the rate of 96s. 0d. per week.
- 5th year—at the rate of 125s. 0d. per week."

AMENDMENT OF PLASTERING REGULATIONS (No. 2).

IN pursuance of the powers conferred by the Apprenticeship Acts and the Acts Interpretation Acts, His Excellency the Lieutenant-Governor of the State of Victoria, by and with the advice of the Executive Council thereof, doth hereby make the following Regulations, that is to say:—

1. Regulation 8 of the Plastering Regulations (No. 2) shall be and the same is hereby rescinded as from the beginning of the first pay period to commence in August, 1949.

2. Such rescission shall not affect any right accrued or accruing to any person or any liability of any person under the said rescinded Regulation before the commencement of these Regulations.

3. For the said rescinded Regulation the following Regulation shall be substituted:—

"8. The minimum rates of pay to be paid as wages to apprentices in the said trade in each year of their apprenticeship course shall be as follows as from the beginning of the first pay period to commence in August, 1949, on, from, and after which date all indentures of apprenticeship heretofore executed under the provisions of the Acts and Regulations made in respect of the aforesaid trade shall be deemed to be amended accordingly—

(a) With respect to the term of apprenticeship of six years—

- 1st year—at the rate of 37s. 0d. per week.
- 2nd year—at the rate of 49s. 6d. per week.
- 3rd year—at the rate of 68s. 0d. per week.
- 4th year—at the rate of 96s. 0d. per week.
- 5th year—at the rate of 125s. 0d. per week.
- 6th year—at the rate of 155s. 0d. per week.

(b) With respect to the term of apprenticeship of five years—

- 1st year—at the rate of 37s. 0d. per week.
- 2nd year—at the rate of 49s. 6d. per week.
- 3rd year—at the rate of 68s. 0d. per week.
- 4th year—at the rate of 96s. 0d. per week.
- 5th year—at the rate of 125s. 0d. per week."

AMENDMENT OF BREAD MAKING AND BAKING TRADE REGULATIONS (No. 1).

IN pursuance of the powers conferred by the Apprenticeship Acts and the Acts Interpretation Acts, His Excellency the Lieutenant-Governor of the State of Victoria, by and with the advice of the Executive Council thereof, doth hereby make the following Regulations, that is to say:—

1. Regulation 10 of the Bread Making and Baking Trade Regulations (No. 1) shall be and the same is hereby rescinded as from 11th August, 1949.

2. Such rescission shall not affect any right accrued or accruing to any person or any liability of any person under the said rescinded Regulation before the commencement of these Regulations.

3. For the said rescinded Regulation the following Regulation shall be substituted:—

“10. The minimum rates of pay to be paid as wages to apprentices in the said trade in each year of their apprenticeship course shall be as follows as from 11th August, 1949, on, from, and after which date all indentures of apprenticeship heretofore executed under the provisions of the Acts and Regulations made in respect of the aforesaid trade shall be deemed to be amended accordingly—

- (a) With respect to the term of apprenticeship of five years—
- 1st year—
 - 1st six months—at the rate of 40s. 3d. per week.
 - 2nd six months—at the rate of 41s. 1d. per week. - 2nd year—
 - 1st six months—at the rate of 44s. 2d. per week.
 - 2nd six months—at the rate of 49s. 6d. per week. - 3rd year—
 - 1st six months—at the rate of 56s. 6d. per week.
 - 2nd six months—at the rate of 66s. 10d. per week. - 4th year—
 - 1st six months—at the rate of 77s. 11d. per week.
 - 2nd six months—at the rate of 91s. 3d. per week. - 5th year—
 - 1st six months—at the rate of 107s. 6d. per week.
 - 2nd six months—at the rate of 125s. 0d. per week.
- (b) With respect to the term of apprenticeship of four years—
- 1st year—
 - 1st six months—at the rate of 44s. 2d. per week.
 - 2nd six months—at the rate of 49s. 6d. per week. - 2nd year—
 - 1st six months—at the rate of 56s. 6d. per week.
 - 2nd six months—at the rate of 66s. 10d. per week. - 3rd year—
 - 1st six months—at the rate of 77s. 11d. per week.
 - 2nd six months—at the rate of 91s. 3d. per week. - 4th year—
 - 1st six months—at the rate of 107s. 6d. per week.
 - 2nd six months—at the rate of 125s. 0d. per week.”

AMENDMENT OF MOTOR MECHANICS TRADES REGULATIONS.

IN pursuance of the powers conferred by the Apprenticeship Acts and the Acts Interpretation Acts, His Excellency the Lieutenant-Governor of the State of Victoria, by and with the advice of the Executive Council thereof, doth hereby make the following Regulations, that is to say:—

1. Regulation 9 of the Motor Mechanics Trades Regulations shall be and the same is hereby rescinded as from the beginning of the first pay period to commence in August, 1949.

2. Such rescission shall not affect any right accrued or accruing to any person or any liability of any person under the said rescinded Regulation before the commencement of these Regulations.

3. For the said rescinded Regulation the following Regulation shall be substituted:—

“9. The minimum rates of pay to be paid as wages to apprentices in the said trades in each year of their apprenticeship course shall be as follows as from the beginning of the first pay period to commence in August, 1949, on, from, and after which date all indentures of apprenticeship heretofore executed under

the provisions of the Acts and Regulations made in respect of the aforesaid trades shall be deemed to be amended accordingly—

Within 20 miles of G.P.O., Melbourne, within 10 miles of G.P.O., Geelong, at Warrnambool, and within Mildura and Gippsland districts.

- (a) With respect to the terms of apprenticeship of five years—
- 1st year—at the rate of 31s. 0d. per week.
 - 2nd year—at the rate of 42s. 6d. a week.
 - 3rd year—at the rate of 64s. 0d. per week.
 - 4th year—at the rate of 105s. 6d. per week.
 - 5th year—at the rate of 133s. 0d. per week.
- (b) With respect to the term of apprenticeship of four years—
- 1st year—at the rate of 36s. 0d. per week.
 - 2nd year—at the rate of 63s. 6d. a week.
 - 3rd year—at the rate of 105s. 6d. per week.
 - 4th year—at the rate of 133s. 0d. per week.

At Yallourn.

- (a) With respect to the term of apprenticeship of five years—
- 1st year—at the rate of 33s. 0d. per week.
 - 2nd year—at the rate of 44s. 6d. per week.
 - 3rd year—at the rate of 67s. 0d. per week.
 - 4th year—at the rate of 111s. 0d. per week.
 - 5th year—at the rate of 139s. 6d. per week.
- (b) With respect to the term of apprenticeship of four years—
- 1st year—at the rate of 38s. 0d. per week.
 - 2nd year—at the rate of 66s. 6d. per week.
 - 3rd year—at the rate of 111s. 0d. per week.
 - 4th year—at the rate of 139s. 6d. per week.

Other Parts of Victoria.

- (a) With respect to the term of apprenticeship of five years—
- 1st year—at the rate of 30s. 6d. per week.
 - 2nd year—at the rate of 41s. 6d. per week.
 - 3rd year—at the rate of 62s. 6d. per week.
 - 4th year—at the rate of 103s. 0d. per week.
 - 5th year—at the rate of 130s. 0d. per week.
- (b) With respect to the term of apprenticeship of four years—
- 1st year—at the rate of 35s. 6d. per week.
 - 2nd year—at the rate of 62s. 0d. per week.
 - 3rd year—at the rate of 103s. 0d. per week.
 - 4th year—at the rate of 130s. 0d. per week.”

AMENDMENT OF PRINTING TRADES REGULATIONS (No. 1).

IN pursuance of the powers conferred by the Apprenticeship Acts and the Acts Interpretation Acts, His Excellency the Lieutenant-Governor of the State of Victoria, by and with the advice of the Executive Council thereof, doth hereby make the following Regulations, that is to say:—

1. Regulation 11 (a) of the Printing Trades Regulations (No. 1) shall be and the same is hereby rescinded as from the beginning of the first pay period to commence in August, 1949.

2. Such rescission shall not affect any right accrued or accruing to any person or any liability of any person under the said rescinded Regulation before the commencement of these Regulations.

3. For the said rescinded Regulation the following Regulation shall be substituted:—

“11. The minimum rates of pay to be paid as wages to apprentices in the said trades in each year of their apprenticeship course shall be as follows as from the beginning of the first pay period to commence in August, 1949, on, from, and after which date all indentures of apprenticeship heretofore executed under the provisions of the Acts and Regulations made in respect of the aforesaid trades shall be deemed to be amended accordingly—

(a) *Apprentices in Commercial Printing Houses in Bendigo, Ballarat, and Geelong—*

- (1) With respect to the term of apprenticeship of six years—
- 1st year—at the rate of 32s. 3d. per week.
 - 2nd year—at the rate of 43s. 0d. per week.
 - 3rd year—at the rate of 55s. 9d. per week.
 - 4th year—at the rate of 75s. 6d. per week.
 - 5th year—at the rate of 95s. 0d. per week.
 - 6th year—at the rate of 131s. 0d. per week.

(ii) With respect to the term of apprenticeship of five years—

- 1st year—at the rate of 43s. 0d. per week.
- 2nd year—at the rate of 55s. 9d. per week.
- 3rd year—at the rate of 75s. 6d. per week.
- 4th year—at the rate of 95s. 0d. per week.
- 5th year—at the rate of 131s. 0d. per week."

AMENDMENT OF PRINTING AND ALLIED TRADES REGULATIONS.

IN pursuance of the powers conferred by the Apprenticeship Acts and the Acts Interpretation Acts, His Excellency the Lieutenant-Governor of the State of Victoria, by and with the advice of the Executive Council thereof, doth hereby make the following Regulations, that is to say:—

1. Regulation 9 of the Printing and Allied Trades Regulations shall be and the same is hereby rescinded as from the beginning of the first pay period to commence in August, 1949.

2. Such rescission shall not affect any right accrued or accruing to any person or any liability of any person under the said rescinded Regulation before the commencement of these Regulations.

3. For the said rescinded Regulation the following Regulation shall be substituted:—

"9. The minimum rates of pay to be paid as wages to apprentices in the said trades in each year of their apprenticeship course shall be as follows as from the beginning of the first pay period to commence in August, 1949, on, from, and after which date all indentures of apprenticeship heretofore executed under the provisions of the Acts and Regulations made in respect of the aforesaid trades shall be deemed to be amended accordingly—

(a) With respect to the term of apprenticeship of six years—

- 1st year—at the rate of 32s. 3d. per week.
- 2nd year—at the rate of 43s. 0d. per week.
- 3rd year—at the rate of 55s. 9d. per week.
- 4th year—at the rate of 75s. 6d. per week.
- 5th year—at the rate of 95s. 0d. per week.
- 6th year—at the rate of 131s. 0d. per week.

(b) With respect to the term of apprenticeship of five years—

- 1st year—at the rate of 43s. 0d. per week.
- 2nd year—at the rate of 55s. 9d. per week.
- 3rd year—at the rate of 75s. 6d. per week.
- 4th year—at the rate of 95s. 0d. per week.
- 5th year—at the rate of 131s. 0d. per week."

AMENDMENT OF BUTCHERING AND/OR SMALL GOODS MAKING TRADES REGULATIONS (No. 1).

IN pursuance of the powers conferred by the Apprenticeship Acts and the Acts Interpretation Acts, His Excellency the Lieutenant-Governor of the State of Victoria, by and with the advice of the Executive Council thereof, doth hereby make the following Regulations, that is to say:—

1. Regulation 10 of the Butchering and/or Small Goods Making Trades Regulations (No. 1) shall be and the same is hereby rescinded as from the beginning of the first pay period to commence in August, 1949.

2. Such rescission shall not affect any right accrued or accruing to any person or any liability of any person under the said rescinded Regulation before the commencement of these Regulations.

3. For the said rescinded Regulation the following Regulation shall be substituted:—

"10. The minimum rates of pay to be paid as wages to apprentices in the said trades in each year of their apprenticeship course shall be as follows as from the beginning of the first pay period to commence in August, 1949, on, from, and after which date all indentures of apprenticeship heretofore executed under the provisions of the Acts and Regulations made in respect of the aforesaid trades shall be deemed to be amended accordingly—

(a) With respect to the term of apprenticeship of five years—

- 1st year—at the rate of 42s. 6d. per week.
- 2nd year—at the rate of 56s. 6d. per week.
- 3rd year—at the rate of 83s. 6d. per week.
- 4th year—at the rate of 107s. 0d. per week.
- 5th year—at the rate of 138s. 6d. per week.

(b) With respect to the term of apprenticeship of four years—

- 1st year—at the rate of 49s. 6d. per week.
- 2nd year—at the rate of 70s. 0d. per week.
- 3rd year—at the rate of 107s. 0d. per week.
- 4th year—at the rate of 138s. 6d. per week."

AMENDMENT OF BOOT TRADES REGULATIONS (No. 2).

IN pursuance of the powers conferred by the Apprenticeship Acts and the Acts Interpretation Acts, His Excellency the Lieutenant-Governor of the State of Victoria, by and with the advice of the Executive Council thereof, doth hereby make the following Regulations, that is to say:—

1. Regulation 8 of the Boot Trades Regulations (No. 2) shall be and the same is hereby rescinded as from the beginning of the first pay period to commence in August, 1949.

2. Such rescission shall not affect any right accrued or accruing to any person or any liability of any person under the said rescinded Regulation before the commencement of these Regulations.

3. For the said rescinded Regulation the following Regulation shall be substituted:—

"8. The minimum rates of pay to be paid as wages to apprentices in the said trades in each year of their apprenticeship course shall be as follows as from the beginning of the first pay period to commence in August, 1949, on, from, and after which date all indentures of apprenticeship heretofore executed under the provisions of the Acts and Regulations made in respect of the aforesaid trades shall be deemed to be amended accordingly—

(a) With respect to the term of apprenticeship of six years—

- 1st year—
- 1st six months—at the rate of 28s. 3d. per week.
- 2nd six months—at the rate of 32s. 9d. per week.

2nd year—

- 1st six months—at the rate of 38s. 6d. per week.
- 2nd six months—at the rate of 47s. 9d. per week.

3rd year—

- 1st six months—at the rate of 58s. 0d. per week.
- 2nd six months—at the rate of 76s. 3d. per week.

4th year—

- 1st six months—at the rate of 95s. 9d. per week.
- 2nd six months—at the rate of 108s. 0d. per week.

5th year—

- 1st six months—at the rate of 121s. 0d. per week.
- 2nd six months—at the rate of 124s. 0d. per week.

6th year—

- At the rate of 151s. 0d. per week.

(b) With respect to the terms of apprenticeship of five years—

- 1st year—
- 1st six months—at the rate of 28s. 3d. per week.
- 2nd six months—at the rate of 32s. 9d. per week.

2nd year—

- 1st six months—at the rate of 38s. 6d. per week.
- 2nd six months—at the rate of 47s. 9d. per week.

3rd year—

- 1st six months—at the rate of 58s. 0d. per week.
- 2nd six months—at the rate of 76s. 3d. per week.

4th year—

- 1st six months—at the rate of 95s. 9d. per week.
- 2nd six months—at the rate of 108s. 0d. per week.

5th year—

- 1st six months—at the rate of 121s. 0d. per week.
- 2nd six months—at the rate of 124s. 0d. per week.

(c) With respect to the term of apprenticeship of four years—

- 1st year—
1st six months—at the rate of 32s. 6d. per week.
2nd six months—at the rate of 44s. 0d. per week.
- 2nd year—
1st six months—at the rate of 58s. 0d. per week.
2nd six months—at the rate of 76s. 3d. per week.
- 3rd year—
1st six months—at the rate of 95s. 9d. per week.
2nd six months—at the rate of 108s. 0d. per week.
- 4th year—
1st six months—at the rate of 121s. 0d. per week.
2nd six months—at the rate of 124s. 0d. per week.

(d) With respect to the term of apprenticeship of three years—

- 1st year—
1st six months—at the rate of 58s. 0d. per week.
2nd six months—at the rate of 76s. 3d. per week.
- 2nd year—
1st six months—at the rate of 95s. 9d. per week.
2nd six months—at the rate of 108s. 0d. per week.
- 3rd year—
1st six months—at the rate of 121s. 0d. per week.
2nd six months—at the rate of 124s. 0d. per week.

And the Honorable Allan Elliott McDonald, His Majesty's Minister of Labour for the State of Victoria, shall give the necessary directions herein accordingly.

A. MAHLSTEDT,
Clerk of the Executive Council.

BROADFORD WATERWORKS TRUST.

At the Executive Council Chamber, Melbourne, the sixteenth day of August, 1949.

PRESENT:

His Excellency the Lieutenant-Governor of Victoria.
Mr. Oldham | Mr. Kennedy.

REPEAL OF PART AND AMENDMENT OF PART OF ORDER.

UNDER the powers conferred by the Water Acts and all other powers enabling him in that behalf, His Excellency the Lieutenant-Governor of the State of Victoria, by and with the advice of the Executive Council of the said State, doth hereby repeal the Order made by the Governor in Council on the 9th day of March, 1948, approving of the acceptance of tenders by the Broadford Waterworks Trust, in so far as it relates to the tender of Hume Pipe Co. (Aust.) Ltd., for the supply of 8-in. reinforced concrete pipes for the sum of £9,236 19s. 2d., and doth hereby amend as follows such Order, in so far as it relates to the tender of Mephan Ferguson Pty. Ltd., for the supply of 8-in. cement-lined steel pipes:—

For the expression "for the sum of £10,312 10s. 10d." there shall be substituted the expression "for the sum of £6,549 3s. 4d."

And the Honorable Henry Edward Bolte, His Majesty's Minister of Water Supply for the State of Victoria, shall give the necessary directions herein accordingly.

A. MAHLSTEDT,
Clerk of the Executive Council.

LEONGATHA WATERWORKS TRUST.

At the Executive Council Chamber, Melbourne, the sixteenth day of August, 1949.

PRESENT:

His Excellency the Lieutenant-Governor of Victoria.
Mr. Oldham | Mr. Kennedy.

EXTENT OF DISTRICT INCREASED.

UNDER the powers conferred by the Water Acts and all other powers enabling him in that behalf, His Excellency the Lieutenant-Governor of the State of Victoria, by and with the advice of the Executive Council of the said State, doth hereby declare, order, and direct as follows:—

That the extent of the Waterworks District of the Leongatha Waterworks Trust be increased by adding to the same the lands set out and described in the Schedule hereto, and as on and from the first day of September, 1949, the extent of such district shall be deemed to be increased accordingly.

SCHEDULE.

Commencing at the most westerly angle of Crown allotment 24, section 28, Parish of Leongatha, County of Buln Buln, being a point on the existing Leongatha Waterworks Trust District boundary; thence westerly, northerly, south-westerly, northerly, and north-westerly along the said existing boundary to a point in line with the south-eastern boundary of Crown allotment 6, section 30; thence north-easterly by a line across a road to the most southerly angle of the said Crown allotment 6; thence north-easterly along the south-eastern boundaries of the said Crown allotment 6 and of Crown allotment 5 to the most easterly angle of the said Crown allotment 5; thence by a line across a road to the most southerly angle of Crown allotment 14, being a point on the north-eastern boundary of the said road; thence south-easterly along the said north-eastern boundary of a road and by a line, being a continuation thereof across a road to a point on the north-western boundary of Crown allotment 17, section 28, Parish of Leongatha; thence south-westerly along the said north-western boundary of Crown allotment 17 to its north-western angle, being a point on the eastern boundary of a Drain Reserve; thence southerly and generally south-westerly along the eastern and south-eastern boundaries of the said Drain Reserve to the point of commencement.

And the lands set out and described in the foregoing Schedule are shown on a plan approved by the Governor in Council, and deposited in the office of the State Rivers and Water Supply Commission, Melbourne.

And the Honorable Henry Edward Bolte, His Majesty's Minister of Water Supply for the State of Victoria, shall give the necessary directions herein accordingly.

A. MAHLSTEDT,
Clerk of the Executive Council.

REVOCATION AND EXCISION OF CROWN RESERVATIONS ACT 1948.

At the Executive Council Chamber, Melbourne, the sixteenth day of August, 1949.

PRESENT:

His Excellency the Lieutenant-Governor of Victoria.
Mr. Oldham | Mr. Kennedy.

REVOCATION OF RESERVATION OF CERTAIN LAND IN THE CITY OF MELBOURNE.

IN pursuance of the provisions of section 2 (1) of the *Revocation and Excision of Crown Reservations Act 1948* (No. 5354), His Excellency the Lieutenant-Governor of the State of Victoria, by and with the advice of the Executive Council of the said State, doth hereby revoke the permanent reservation by Order of 6th October, 1908, of an area of 34½ perches of land, being allotment 12 of section 30, in the City of Melbourne, as a site for a Hospital, to be designated the Queen Victoria Hospital, as notified on page 4994 of the *Government Gazette* of the 14th October, 1908.—(Rs.3516.)

And the Honorable Rutherford Campbell Guthrie, His Majesty's Commissioner of Crown Lands and Survey for the State of Victoria, shall give the necessary directions herein accordingly.

A. MAHLSTEDT,
Clerk of the Executive Council.

REVOCATION AND EXCISION OF CROWN RESERVATIONS ACT 1948.

At the Executive Council Chamber, Melbourne, the sixteenth day of August, 1949.

PRESENT:

His Excellency the Lieutenant-Governor of Victoria.
Mr. Oldham | Mr. Kennedy.

REVOCATION OF RESERVATION OF CERTAIN LAND IN THE CITY OF MELBOURNE.

IN pursuance of the provisions of section 2 (1) of the *Revocation and Excision of Crown Reservations Act 1948* (No. 5354), His Excellency the Lieutenant-Governor of the State of Victoria, by and with the advice of the Executive Council of the said State, doth hereby revoke the permanent reservation by Order of 30th November, 1910, of an area of 38 perches of land, being allotment 11 of section 30, in the City of Melbourne, as a site for the purposes of the incorporated institution called the Queen Victoria Memorial Hospital, as notified on page 5398 of the *Government Gazette* of the 7th December, 1910.—(Rs.3516.)

And the Honorable Rutherford Campbell Guthrie, His Majesty's Commissioner of Crown Lands and Survey for the State of Victoria, shall give the necessary directions herein accordingly.

A. MAHLSTEDT,
Clerk of the Executive Council.

DEPARTMENT OF LANDS AND SURVEY.

At the Executive Council Chamber, Melbourne, the sixteenth day of August, 1949.

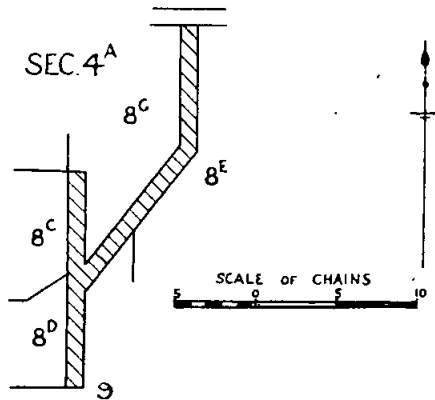
PRESENT:

His Excellency the Lieutenant-Governor of Victoria.
Mr. Oldham | Mr. Kennedy.

UNUSED AND UNMADE ROADS CLOSED.

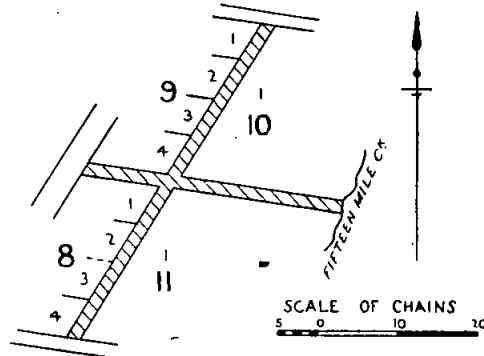
HIS Excellency the Lieutenant-Governor of the State of Victoria, by and with the advice of the Executive Council thereof, doth hereby direct that, in pursuance of the provisions of section 304 of the *Land Act 1928* (No. 3709), the unused and unmade roads referred to hereunder be closed, viz.:—

Parish of Wombat, County of Talbot, being the roads indicated by hachure on plan hereunder.—(W.179(81) (G.88832).

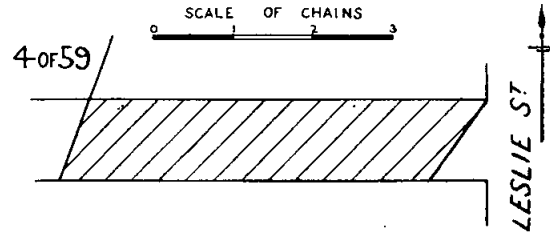


Parish of Jennawarra, County of Villiers, being the road between allotments 18, 17, and 16, and allotment 15, section C.—(J.8(2) (C.79093).

Parish of Glenrowan, County of Delatite, being the roads indicated by hachure on plan hereunder.—(G.92(6) (H.019681).



Town of Beaufort, Parish of Beaufort, County of Ripon, being the road indicated by hachure on plan hereunder.—(B.304(3) (C.90700).



And the Honorable Rutherford Campbell Guthrie, His Majesty's Commissioner of Crown Lands and Survey for the State of Victoria, shall give the necessary directions herein accordingly.

A. MAHLSTEDT,
Clerk of the Executive Council.

DEPARTMENT OF LANDS AND SURVEY.

At the Executive Council Chamber, Melbourne, the sixteenth day of August, 1949.

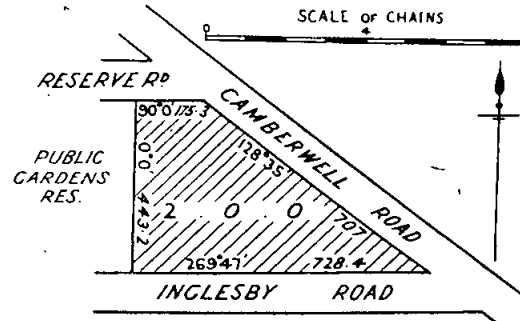
PRESENT:

His Excellency the Lieutenant-Governor of Victoria.
Mr. Oldham | Mr. Kennedy.

LANDS TEMPORARILY RESERVED FROM SALE.

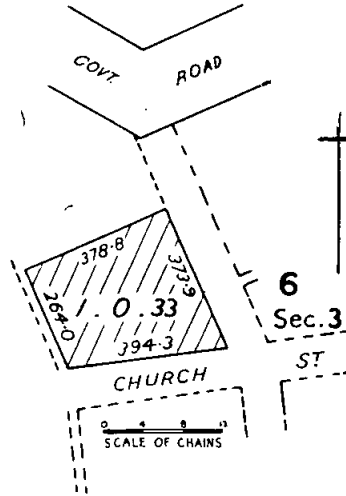
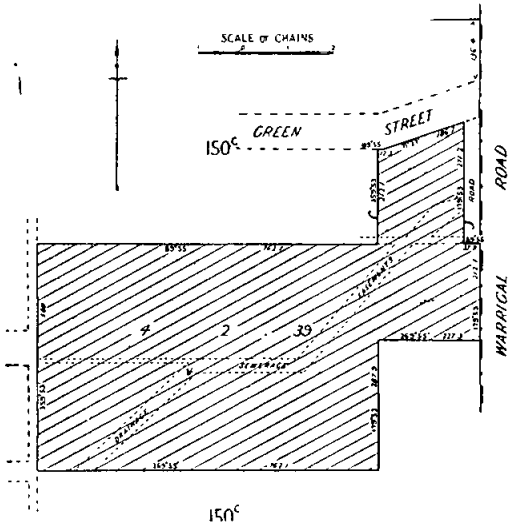
HIS Excellency the Lieutenant-Governor of the State of Victoria, by and with the advice of the Executive Council thereof, doth hereby, in pursuance of the provisions of the *Land Act 1928*, reserve, temporarily, and also except from occupation for mining purposes under any miner's right, the lands hereinafter described:—

BOROONDARA (at Camberwell).—Site for Town Hall and other Municipal purposes, 2 acres, Parish of Boroondara, County of Bourke, as indicated by hachure on plan hereunder.—(B.415(3) (Rs.5850).



BOROONDARA (at Burwood).—Site for Public Park and Children's Playground, 4 acres 2 roods 39 perches, Parish of Boroondara, County of Bourke, as indicated by hachure on plan hereunder.—(B.415(3) (Rs.6367).

WALWA.—Site for Police purposes, 1 acre 33 perches, Parish of Walwa, County of Benambra, as indicated by hachure on plan hereunder.—(W.296(3) (Rs.6393).



And the Honorable Rutherford Campbell Guthrie, His Majesty's Commissioner of Crown Lands and Survey for the State of Victoria, shall give the necessary directions herein accordingly.

A. MAHLSTEDT,
Clerk of the Executive Council.

TEACHING SERVICE ACT 1946.

At the Executive Council Chamber, Melbourne, the sixteenth day of August, 1949.

PRESENT:

His Excellency the Lieutenant-Governor of Victoria.
Mr. Oldham | Mr. Kennedy.

TERM OF OFFICE OF AND ALLOWANCE FOR THE MEMBER OF THE TEACHERS TRIBUNAL REPRESENTING THE GOVERNMENT OF VICTORIA.

IN pursuance of the powers conferred by the *Teaching Service Act* 1946 (No. 5125), His Excellency the Lieutenant-Governor of the State of Victoria, by and with the advice of the Executive Council thereof, doth by this Order:—

- (1) fix, before his appointment, the term of three years as the term which the member of the Teachers Tribunal representing the Government of Victoria shall hold office as from and including the nineteenth day of August, 1949; and
- (2) fix, before his appointment, the sum of £1,020 as the annual allowance which the member of the Teachers Tribunal representing the Government of Victoria shall be entitled to receive as from and including the nineteenth day of August, 1949.

And the Honorable Raymond Walter Tovell, His Majesty's Minister of Public Instruction for the State of Victoria, shall give the necessary directions herein accordingly.

A. MAHLSTEDT,
Clerk of the Executive Council.

FACTORIES AND SHOPS ACTS.

At the Executive Council Chamber, Melbourne, the twenty-third day of August, 1949.

PRESENT:

His Excellency the Lieutenant-Governor of Victoria.

Lieut.-Colonel Dennett | Mr. Guthrie.
Mr. Gartside

A DEVICE, KNOWN AS THE "NAMCO COOKER-CANNER" MODEL 15 (EIGHT QUARTS CAPACITY), EXEMPTED FROM CERTAIN PROVISIONS OF THE FACTORIES AND SHOPS ACTS.

BY virtue of the powers conferred by section 57 of the Factories and Shops Act 1928, His Excellency the Lieutenant-Governor of the State of Victoria, by and with the advice of the Executive Council thereof, doth by this Order exempt from the operation of Division 16 of Part III. of the Factories and Shops Act 1928, the class of steam boiler known as the "Namco Cooker-Canner" Model 15 (eight quarts capacity), when manufactured in accordance with the specifications and sample lodged with the Chief Inspector of Factories by Specialized Engineering Company Proprietary Limited, of corner of Point Nepean and Centre roads, East Brighton, until a further Order is made.

And the Honorable Allan Elliott McDonald, His Majesty's Minister of Labour for the State of Victoria, shall give the necessary directions herein accordingly.

A. MAHLSTEDT,
Clerk of the Executive Council.

APPRENTICESHIP ACTS.

At the Executive Council Chamber, Melbourne, the twenty-third day of August, 1949.

PRESENT:

His Excellency the Lieutenant-Governor of Victoria.

Lieut.-Colonel Dennett | Mr. Guthrie.
Mr. Gartside

APPRENTICESHIP COMMISSION OF VICTORIA.

IN pursuance of the provisions of the Apprenticeship Acts, His Excellency the Lieutenant-Governor of the State of Victoria, by and with the advice of the Executive Council thereof, doth by this Order—

1. Appoint, for a term of three years—

DANIEL SCOTT,
JOHN WILLIAM CHALMERS, and
LANGFORD HORACE WAITE

as members of the Apprenticeship Commission of Victoria representing employers, and who were nominated by the body known as the Victorian Chamber of Manufactures.

2. Appoint, for a term of three years—

ARTHUR MILLS LEAVOLD,
ERNEST GALLAGHER, and
JOHN ALFRED CONNELL

as members of the Apprenticeship Commission of Victoria representing employees, and who were nominated by the body known as the Trades Hall Council of Melbourne.

And the Honorable Allan Elliott McDonald, His Majesty's Minister of Labour for the State of Victoria, shall give the necessary directions herein accordingly.

A. MAHLSTEDT,
Clerk of the Executive Council.

HOUSING ACTS.

At the Executive Council Chamber, Melbourne, the twenty-third day of August, 1949.

PRESENT:

His Excellency the Lieutenant-Governor of Victoria.

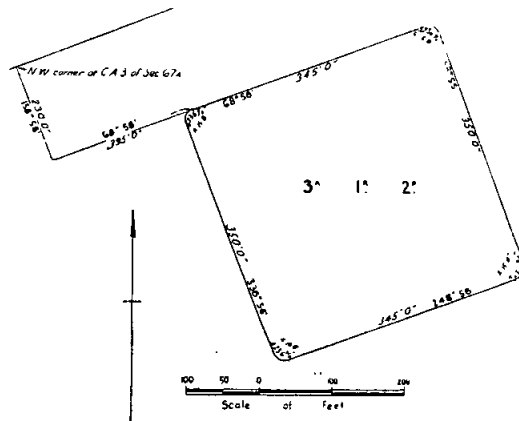
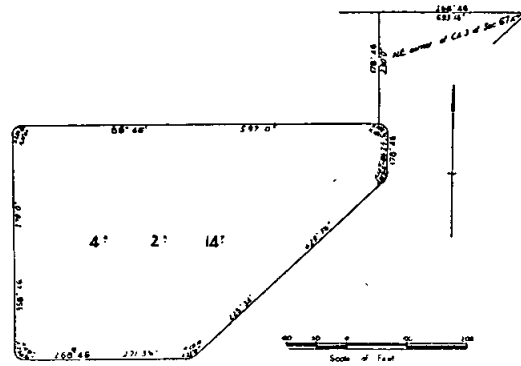
Lieut.-Colonel Dennett | Mr. Guthrie.
Mr. Gartside

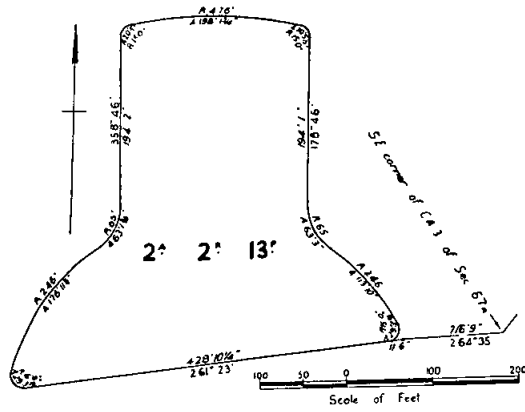
SURRENDER TO THE CROWN OF LANDS NO LONGER REQUIRED FOR HOUSING PURPOSES—CITY OF PORT MELBOURNE.

WHEREAS by virtue and in exercise of the powers contained in the Housing Act 1943, the Housing Commission has recommended to the Governor in Council that the lands referred to in the Schedule hereunder revert to the Crown: Now therefore His Excellency the Lieutenant-Governor of the State of Victoria in the Commonwealth of Australia, by and with the advice of the Executive Council thereof, and in pursuance of the powers conferred by section 6 of the said Act, doth by this Order hereby direct that such lands revert to the Crown.

SCHEDULE.

All those pieces of land delineated on the plans hereunder containing respectively 4 acres 2 roods 14 perches or thereabouts, 3 acres 1 rood 2 perches or thereabouts, and 2 acres 2 roods 13 perches or thereabouts, and being parts of Crown allotment 3, section 67A, Parish of Melbourne South, County of Bourke.





And the Honorable Arthur George Warner, His Majesty's Minister in Charge of Housing for the State of Victoria, shall give the necessary directions herein accordingly.

A. MAHLSTEDT,
Clerk of the Executive Council.

APPROACHING LAND SALES.

SALES of Crown lands, in fee-simple, will be held at the under-mentioned places and dates. viz.:

	No. of Gazette
Apsley.—Tuesday, 20th September, 1949	642
Bairnsdale.—Thursday, 1st September, 1949	623
Bendigo.—Thursday, 22nd September, 1949	732
Castlemaine.—Wednesday, 14th September, 1949	642
Colac.—Monday, 5th September, 1949	623
Echuca.—Wednesday, 7th September, 1949	634
Inglewood.—Thursday, 15th September, 1949	642
Kerang.—Wednesday, 7th September, 1949	634
Portland.—Thursday, 15th September, 1949	642
Seymour.—Thursday, 15th September, 1949	642
Swan Hill.—Thursday, 8th September, 1949	634

SALE OF CROWN LANDS BY AUCTION.

The lands will be sold in fee-simple, and subject to the covenants, conditions, exceptions, and reservations directed by the Governor in Council by an Order in Council dated the 5th August, 1930, and published in the *Government Gazette* of the 8th August, 1930, varied as herein.

A deposit of at least twelve and a half per centum of the price at which each lot is sold must be paid by the purchaser at the time of sale, and all such payments shall be made in bank notes or cheques approved by the officer conducting the sale, and the residue of such price will be payable in equal instalments, in accordance with the scale hereunder, on the last day of each successive period of six months from the time of sale, or, if the purchaser choose, at any earlier time or times; and such residue of the purchase money shall bear interest at the rate of Five pounds per centum per annum, to be computed with respect to each instalment for the period which has elapsed between the time of sale and the time of the payment of such instalment. If the residue of the price be paid within thirty days after the time of the sale no interest will be payable thereon.

The Governor in Council may allow a transfer of the purchaser's interest to an approved person at any time before the final payment of the purchase money is made. The fee for transfer shall be One pound, and such transfer will be subject to payment of stamp duty.

SCALE OF PAYMENTS OF RESIDUE.

- £20 and under, 6 instalments.
- Over £20, and not exceeding £50, 8 instalments.
- Over £50, and not exceeding £100, 10 instalments.
- Over £100, and not exceeding £200, 12 instalments.
- Over £200, and not exceeding £300, 14 instalments.
- Over £300, and not exceeding £400, 16 instalments.
- Over £400, and not exceeding £500, 18 instalments.
- Over £500, 20 instalments.

FEES, ETC.

The fees payable for Crown grant and assurance (One halfpenny for each pound of purchase price) must be paid with the balance of purchase money. The following is the scale:—

- 50 acres and under, £1 10s.
- Over 50 acres, £2.
- Where the purchase money does not exceed £5, the grant fee is £1.

Valuations of improvements (if not purchased by the owner thereof), and charges for survey, must also be paid at the time of sale.

R. C. GUTHRIE,

Commissioner of Crown Lands and Survey

Office of Lands and Survey.

Melbourne, 22nd August, 1949.

BENDIGO.—Sale (No. 10744) of Crown lands, in fee-simple, by auction, will be held at the rooms of JAMES ANDREW & CO., QUEEN-STREET, BENDIGO, on THURSDAY, the 22nd SEPTEMBER, 1949, at TEN o'clock a.m. To be conducted by H. J. HENKEL, Land Officer, Bendigo. Auctioneers: JAMES ANDREW & CO., Queen-street, Bendigo.

BENDIGO, PARISH OF SANDHURST, COUNTY OF BENDIGO.
Fronting Havlin-street west.

- Upset price £165 per lot. Charge for survey £5 per lot.
- Lot 1. Area 1r. 1p., allotment 211A of section H. One month allowed for removal of improvements.
- Lot 2. Area 1r. 8p., allotment 211B of section H. Subject to drainage easement 15 links wide. One month allowed for removal of improvements.

Fronting Michael-street.

- Upset price £235 the lot. Charge for survey £7 10s.
- Lot 3. Area 1r. 0 3/10p. (subject to survey), allotment 11 of section 41C. One month allowed for removal of improvements.

Corner of Nolan and Bannister streets.

- Upset price £125 the lot. Charge for survey £5 10s.
- Lot 4. Area 1r. 6 3/10p., allotment 549C of section K. Valuation of improvements, £15 10s. (W. H. Reddick). One month allowed for removal of fencing.

Fronting High-street.

- Upset price £130 the lot. Charge for survey £3 15s.
- Lot 5. Area 32 8/10p., allotment 3 of section 39A. One month allowed for removal of improvements.
- Upset price £137 the lot. Charge for survey £3 15s.
- Lot 6. Area 32 6/10p., allotment 4 of section 39A. One month allowed for removal of improvements.

Fronting Alder-street.

- Upset price £75 the lot. Charge for survey £3 15s.
- Lot 7. Area 30 6/10p., allotment 5 of section 39A. One month allowed for removal of improvements.
- Upset price £70 the lot. Charge for survey £3 15s.
- Lot 8. Area 30 9/10p., allotment 6 of section 39A. One month allowed for removal of improvements.

PARISH OF SANDHURST, COUNTY OF BENDIGO.

Between Osborne and Drechsler streets.

- Upset price £12 the lot. Charge for survey £5.
- Lot 9. Area 1 rood (subject to survey), allotment 12A of section H2. Valuation of improvements to be announced at the sale.

Fronting Butler-street.

- Upset price £7 10s. the lot. Charge for survey £3 2s. 6d.
- Lot 10. Area 1r. 20p. (subject to survey), allotment 473A of section M. Valuation of improvements, £600 (W. G. F. Barton).
- Upset price £4 the lot. Charge for survey £5 12s. 6d.
- Lot 11. Area 3 acres (subject to survey), allotment 473B of section M.

In the South of the Parish.

- Upset price £6 the lot. Charge for survey £6 2s. 6d.
- Lot 12. Area 1a. 2r. 13p., allotment 264G of section H. Subject to a race easement 10 links wide.

Near the Junction of Hosken and Batten streets.

- Upset price £5 the lot. Charge for survey £5 5s.
- Lot 13. Area 1 acre (subject to survey), allotment 473A of section M. One month allowed for removal of any improvements.

At Dead Dog Gully, West of Spring Gully-road.
Upset price £15 the lot. Charge for survey £6 2s. 6d.
Lot 14. Area 3 acres, allotment 35 of section H1. Subject to pipe line easement.

PARISH OF MANDURANG, COUNTY OF BENDIGO.

In the North-west of the Parish.
Upset price £10 the lot. Charge for survey £6 2s. 6d.
Lot 15. Area 2a. 3r. (subject to survey), allotment 76b of section D. Sold subject to any necessary easements.

CLOSER SETTLEMENT ACT 1938.

KERANG.—A sale of the under-mentioned land, in fee-simple, by auction, will be held at the LAND INSPECTOR'S OFFICE, KERANG, on WEDNESDAY, the 7th SEPTEMBER, 1949, at a quarter to THREE o'clock p.m. To be conducted by H. J. HENKEL, Land Officer, Bendigo.

(SUPPLEMENTARY LOT.)

MURRABIT, PARISH OF MURRABIT WEST, COUNTY OF GUNBOWER.

In the Centre of the Township.
Charge for survey £8 10s. the lot.
Lot 3. Area 1a. 1r. 12p. (subject to survey), allotment 5 of section 4A.

TERMS AND CONDITIONS.

Deposit to be paid at the sale, 12½ per cent. of the purchase price. Balance of the purchase money to be paid by six equal half-yearly instalments, with interest computed at the rate of 4½ per cent. per annum on the unpaid balance.

Valuations of improvements and charges for survey must also be paid at the time of the sale.

The Board of Land and Works may allow a transfer of the purchaser's interests to an approved person at any time before the final payment is made (fee, £1). The registration of the transfer may be subject to payment of such further sum as the Board may require in reduction of the outstanding balance.

Purchaser may pay balance and fees at any time prior to the due date.

Crown grant will be prepared and issued as soon as practicable after payment of purchase money in full.

Improvements to be maintained and insured with the Board of Land and Works.

Crown grant fee (£1 10s. per lot), and contribution to assurance fund (½d. for each £1 of purchase price), must be paid with the balance of purchase money.

R. C. GUTHRIE,

Commissioner of Crown Lands and Survey.
Melbourne, 22nd August, 1949.

SOLDIER SETTLEMENT ACT 1946.

IN pursuance of section 88 (1) of the *Soldier Settlement Act 1946*, I, Rutherford Campbell Guthrie, Commissioner of Crown Lands and Survey, hereby declare that the farming land specified in the Schedule hereunder to be land suitable for Soldier Settlement.

Dated at Melbourne, this 23rd day of August, 1949.

R. C. GUTHRIE,
Commissioner of Crown Lands and Survey.

SCHEDULE.

Parish of Bringalbart—

Allotment; Area; Title Reference.

- 8A; 159a. 3r. 32p.; 3087/617204.
- 7; 71a. 0r. 13p.; 3061/612132.
- 4; 81a. 2r. 6p.; 3061/612131.
- 4A; 319a. 3r. 15p.; 2898/579556.
- 7A; 319a. 3r. 2p.; 2895/578957.

Allotments 1, 2, 3, 5A, 6A, 6, 6B, 8B, 19, 20, 20A, 20B, 21, 21A, 21B, 22, 23, 23A, 23B, 24, 25, 26, 30A, 30B, 31, 31A, 32, 36, 39, 40, 41, Parish of Bringalbart, comprising 6,318 acres 3 roods, being part of the land more particularly described in title, volume 3912, folio 782370.

Allotment 87A, Parish of Boorooopki, and allotment 26A, Parish of Bringalbart, comprising 639 acres 0 roods 25 perches, more particularly described in title, volume 5784, folio 1156773.

Parish of Benayeo.—Allotment 32 and part allotment 28, comprising 1,247 acres 3 roods 31 perches, more particularly described in title, volume 3912, folio 782373.

PROPOSED REVOCATIONS OF TEMPORARY RESERVATIONS OF LANDS BY ORDERS IN COUNCIL.

IN pursuance of the provisions of the *Land Act 1928*, notice is hereby given that it is the intention of the Governor in Council to revoke the temporary reservations of lands by Orders in Council hereunder referred to, viz.:—
The following Notices were published 1° on the 3rd August, 1949, pursuant to Orders of the 26th July, 1949.

TARRAGAL.—The temporary reservation by Order in Council of the 27th January, 1873 (see *Government Gazette* of the 31st January, 1873, page 205), of 3 acres of land in the Parish of Tarragal, being part of allotment 11A of section 2, as a site for Watering purposes, is about to be revoked.—(T.55(2) (0259/187.)

LARUNDEL.—The temporary reservation by Order in Council of the 22nd May, 1934, of 4 acres 0 roods 29 perches of land in the Parish of Larundel as a site for a State School, is about to be revoked.—(L.181(1) (Rs.4382).

R. C. GUTHRIE,
Commissioner of Crown Lands and Survey.

PROPOSED REVOCATIONS OF ORDERS IN COUNCIL SETTING APART CERTAIN LANDS.

IN pursuance of the provisions of the *Land Act 1928*, notice is hereby given that it is the intention of the Governor in Council to revoke the setting apart of the under-mentioned lands by the Orders in Council hereunder referred to, viz.:—

The following Notices were published 1° on the 10th August, 1949, pursuant to Orders of the 2nd August, 1949.

MURMUNCEE.—The temporary reservation as a site for a Quarry and the withholding from sale, leasing, and licensing by Order in Council of the 4th August, 1879, of 6 acres of land in the Parish of Murrumgee, being portion of allotment 3, is about to be revoked.—(M.285(1) (5473/121).

MORRADOO (CRIB POINT).—The temporary reservation, by Order in Council of the 1st July, 1947, of 1 rood 18 8/10 perches of land in the Township of Morradoo as a site for an Infant Welfare Centre is about to be revoked.—(M.531(1) (Rs.5934).

TRARALGON.—The temporary reservation by Order in Council of the 15th January, 1906, of 1 rood 13 perches of land in the Township of Traralgon for road purposes, being allotment 5, section 25, revoked as to part by Order of the 31st October, 1922, is about to be revoked as regards the balance thereof containing 1 rood 5 perches.—(T.115(10) (C.73121).

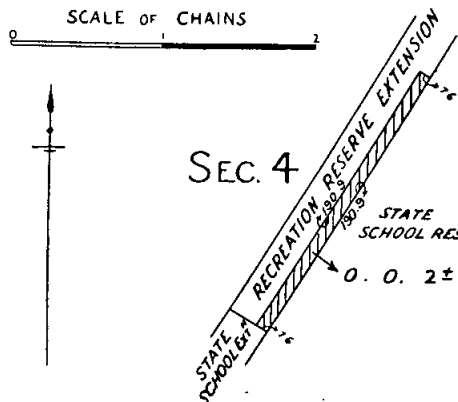
A. H. DENNETT,
for Commissioner of Crown Lands and Survey.

PROPOSED REVOCATIONS OF ORDERS IN COUNCIL TEMPORARILY RESERVING CERTAIN LANDS.

IN pursuance of the provisions of the *Land Act 1928*, notice is hereby given that it is the intention of the Governor in Council to revoke the temporary reservations of the under-mentioned lands by the Orders in Council hereunder referred to, viz.:—

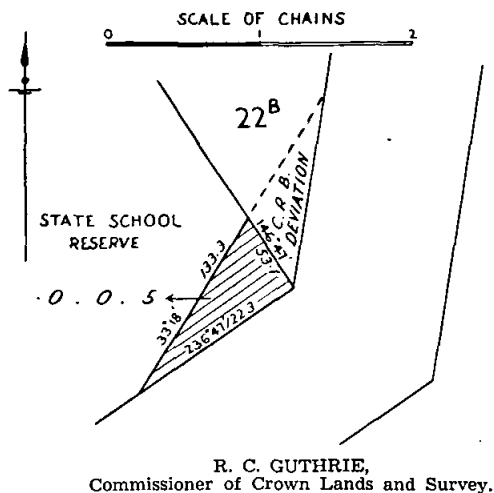
The following Notices were published 1° on the 17th August, 1949, pursuant to Orders of the 9th August, 1949.

LONGWARRY.—The temporary reservation, by Order in Council of the 13th May, 1941, of 17 5/10 perches of land in the Township of Longwarry, as a site for Public Recreation, is about to be revoked so far as the portion containing 2 perches, more or less, indicated by hachure on plan hereunder, is concerned.—(L.162(6) (Rs.4452).



GREEN GULLY.—The temporary reservation, by Order in Council of the 27th June, 1870, of 1 acre, more or less, of land in the Parish of Strangways, at Green Gully, for a Place of Public Worship in connexion with the Wesleyan Denomination, is about to be revoked.—(G.254(1) (C.91161).

WARBURTON.—The temporary reservation, by Order in Council of the 12th July, 1886, of 1 acre of land in the Parish of Warburton, as a site for a State School, is about to be revoked so far as the portion containing 5 perches, indicated by hachure on plan hereunder, is concerned.—(W.348(10) (Rs.6370).



PROPOSED REVOCATIONS OF TEMPORARY RESERVATIONS OF LANDS BY ORDERS IN COUNCIL.

IN pursuance of the provisions of the *Land Act 1928*, notice is hereby given that it is the intention of the Governor in Council to revoke the temporary reservations of lands by Orders in Council hereunder referred to, viz.:—
The following Notices were published 1° on the 24th August, 1949, pursuant to Orders of the 16th August, 1949.

TYNTYNDER.—The temporary reservation, by Order in Council of the 23rd June, 1890 (see *Government Gazette* of the 27th June, 1890, page 2644), of 2 acres of land in the Parish of Tyntynder, as a site for a State School, is about to be revoked.—(T.244(10) (C.91574).

KORUMBURRA.—The temporary reservation, by Order in Council of the 16th December, 1904, of 1 acre 3 roods 23 perches of land in the Parish of Korumburra, as a site for a State School, is about to be revoked.—(K.172(11) (Rs.2771).

R. C. GUTHRIE,
Commissioner of Crown Lands and Survey.

PUBLIC HEARING BY A PERSON APPOINTED UNDER THE 34TH SECTION OF THE LAND ACT 1928.

NOTICE is hereby given that at the times and places mentioned in the Schedule hereunder applications for leases and licences under the Land Acts, objections to such applications, objections to proposed proclamations, alterations, additions, diminutions, revocations, or unions of commons, and reasons against forfeiture of any leases or licences under the Land Acts deemed liable to forfeiture, will be publicly heard by the persons whose names are set opposite such places respectively in such Schedule, being persons appointed by me, the responsible Minister of the Crown administering the Land Acts, to hear the same and report thereon in writing to me.

R. C. GUTHRIE,
Commissioner of Crown Lands and Survey, and
President of the Board of Land and Works.
Department of Lands and Survey,
Melbourne, 24th August, 1949.

SCHEDULE.

DAYLESFORD, Wednesday, 14th September, 1949, at 1.30 p.m., H. J. Henkel, Land Officer.

TENDERS.

TENDERS will be received at this office until TEN A.M. on the days and for the purposes under mentioned.

Particulars may be learnt at this Office and also at places shown in parenthesis.

W.O. means Inspector of Works Office; P.S.—Police Station; T.S.—Technical School; H.E.S.—Higher Elementary School; S.S.—State School; H.S.—High School; P.D.—Preliminary deposit; F.D.—Final deposit.

The Board of Land and Works will not necessarily accept the lowest or any tender.

30th August, 1949.

Apollo Bay.—Supply and delivery of 10,000 tons of spalls and filling, Breakwater. (W.O., Geelong; P.S., Colac.) P.D., £5. F.D., 2 per cent.

Ararat.—Installation of power points, Nurses' Home, Mental Hospital. (W.O., Ballarat; P.S., Ararat, Stawell.) P.D., £10. F.D., 2 per cent.

Barraport.—Repairs to school building and boys' out-office, S.S. No. 3886. (W.O., Bendigo; P.S., Boort; S.S., Barraport.) P.D., £4. F.D., 2 per cent.

Beechworth.—Erection of new garage, woodshed, and repairs, &c., to building, Court House. (W.O., Wangaratta; P.S., Myrtleford; Court House, Beechworth.) P.D., £15. F.D., 2 per cent.

Berwick.—Alterations to lighting, repairs, and painting, S.S. No. 40. (W.O., Korumburra; P.S., Dandenong; S.S., Berwick.) P.D., £5. F.D., 2 per cent.

Bridgewater.—Repairs, renovations, and painting, residence, S.S. No. 1097. (W.O., Bendigo; P.S., Bridgewater; S.S., Bridgewater.) P.D., £5. F.D., 2 per cent.

Collingwood.—Supply, delivery, and installation of electroplating vats, and alterations to existing equipment, T.S. P.D., £10. F.D., 2 per cent.

Collingwood.—Supply and delivery of buffing motors and backstand idler, T.S. P.D., £5. F.D., 2 per cent.

Darnum.—Repairs to fencing, S.S. No. 2319. (W.O., Traralgon; P.S., Warragul; S.S., Darnum.) P.D., £4. F.D., 2 per cent.

Freeburgh.—Repairs and painting, S.S. No. 895. (W.O., Wangaratta; P.S., Myrtleford; S.S., Freeburgh.) P.D., £5. F.D., 2 per cent.

Gembrook.—Provision of fibrous plaster lining to interior of residence, S.S. No. 2506. (W.O., Korumburra; S.S., Gembrook.) P.D., £4. F.D., 2 per cent.

Hawthorn.—Provision of new water supply fire service, Swinburne Technical College. (Swinburne Technical College, Hawthorn.) P.D., £15. F.D., 2 per cent.

Horsham.—Adaptation of R.A.A.F. hut into classrooms, H.S. (W.O., Ararat, Horsham; P.S., Nhill; H.S., Horsham.) P.D., £15. F.D., 2 per cent.

Lorne.—Purchase of pile ends and disused jetty timber, jetty. P.D., £2. F.D., full amount of purchase money.

Melbourne.—Remodelling of bathrooms, Parliament House. P.D., £15. F.D., 2 per cent.

Queenscliff.—Purchase and removal of quantity of rails and scrap iron lying at P.W.D. Buoy Depot, Ports and Harbors. P.D., £3. F.D., full amount of purchase money.

Terang.—Alterations and additions to Army hut, H.E.S. No. 617. (W.O., Camperdown, Warrnambool; H.E.S., Terang.) P.D., £10. F.D., 2 per cent.

Toolangi.—Repairs and painting, S.S. No. 3237. (W.O., Alexandra; P.S., Healesville; S.S., Toolangi.) P.D., £4. F.D., 2 per cent.

Ultima.—External and internal painting and repairs, P.S. (W.O., Swan Hill, Bendigo; P.S., Ultima.) P.D., £4. F.D., 2 per cent.

Westmere.—External and internal alterations, repairs and painting, school and residence, S.S. No. 3833. (W.O., Ararat, Camperdown; S.S., Westmere.) P.D., £10. F.D., 2 per cent.

6th September, 1949.

Avenel.—Repairs and painting, residence, P.S. (W.O., Alexandra, Benalla; P.S., Avenel.) P.D., £4. F.D., 2 per cent.

Avenel.—Repairs and painting to classrooms, blackboards, &c., S.S. No. 8. (W.O., Alexandra; P.S., Seymour; S.S., Avenel.) P.D., £4. F.D., 2 per cent.

Balliang.—Painting and repairs, residence, S.S. No. 3630. (P.S., Bacchus Marsh; S.S., Balliang.) Deposit, £4.

Bayswater.—Erection of new school building, Boys' Home, S.S. No. 4152. P.D., £25. F.D., 2 per cent.

Beechworth.—General repairs and painting, Mental Hospital. (W.O., Benalla, Wangaratta; Mental Hospital, Beechworth.) P.D., £50. F.D., 2 per cent.

Binginwarri.—Repairs and painting, S.S. No. 2863. W.O., Korumburra, Traralgon; S.S., Binginwarri.) P.D., £5. F.D., 2 per cent.

Boisdale.—Electrical installation, Senior Wing, Consolidated School. (P.S., Boisdale, Maffra, Sale.) P.D., £5. F.D., 2 per cent.

Boisdale.—Erection of cookery wing, Consolidated School. (W.O., Bairnsdale, Traralgon; Consolidated School, Boisdale.) P.D., £50. F.D., 2 per cent.

Broadwater.—Internal and external repairs and painting, S.S. No. 1250. (W.O., Warrnambool; P.S., Port Fairy; S.S., Broadwater.) Deposit, £4.

Bundoora.—Installation of skylights and internal painting of classrooms, S.S. No. 1915. (S.S., Bundoora.) Deposit, £3.

Carlton.—Erection of new cyclone fence, Teachers' College. Deposit, £4.

Dumbalk.—Erection and completion of teacher's residence, &c., S.S. No. 3415. (W.O., Korumburra; P.S., Meenyan; S.S., Dumbalk.) P.D., £15. F.D., 2 per cent.

Edithvale.—Additional accommodation, S.S. No. 3790 (S.S., Edithvale.) P.D., £25. F.D., 2 per cent.

Fairfield.—Repairs and renovations, "Fairhaven" V.D. Hospital. P.D., £15. F.D., 2 per cent. (Amended specification.)

Flemington.—Provision of lavatory pans in cells, P.S. Deposit, £4.

French Island.—Supply and delivery of one (1) 25 kVA, 3-phase 400-volt Diesel electric generating set, Penal Settlement. P.D., £15. F.D., 2 per cent.

French Island.—Supply and delivery of one (1) 5 kVA, 3-phase 400-volt Diesel electric generating set, Penal Settlement. P.D., £5. F.D., 2 per cent.

Garfield.—Alterations and improved lighting, S.S. No. 2724. (W.O., Korumburra; P.S., Dandenong; S.S., Garfield.) Deposit, £3.

Gonn Crossing.—Erection of teacher's residence (labour and materials), S.S. No. 4566. (W.O., Bendigo, Swan Hill; P.S., Kerang; S.S., Gonn Crossing.) P.D., £15. F.D., 2 per cent.

Gorae West.—Alterations, repairs, and renovations, S.S. No. 4556. (W.O., Hamilton, Warrnambool; P.S., Portland; S.S., Gorae West.) P.D., £5. F.D., 2 per cent.

Greenvale.—Erection of four (4) timber residences, Sanatorium. P.D., £25. F.D., 2 per cent.

Huntly.—Alterations to residence, repairs, and painting, S.S. No. 306. (W.O., Bendigo; P.S., Eaglehawk, Epsom; S.S., Huntly.) Deposit, £5.

Kew.—Provision of fire escape stairs, Mental Hospital P.D., £15. F.D., 2 per cent.

Kyneton.—Repairs and renovations to teacher's residence, S.S. No. 343. (W.O., Kyneton; P.S., Castlemaine, Kyneton; S.S., Kyneton.) P.D., £4. F.D., 2 per cent.

Kyneton.—Repairs and renovations to school, S.S. No. 343. (W.O., Kyneton; P.S., Kyneton; S.S., Kyneton.) P.D., £10. F.D., 2 per cent.

Leitchville.—Repairs and renovations to school buildings and residence, S.S. No. 2087. (W.O., Bendigo; P.S., Cohuna, Echuca; S.S., Leitchville.) Deposit, £5.

Maryborough.—Removal of steppings, repairs, painting, and internal renovations, S.S. No. 404. (W.O., Maryborough; P.S., Maryborough; S.S., Maryborough.) P.D., £5. F.D., 2 per cent.

Melbourne.—Renovations, Premier's Office, Treasury Building. P.D., £10. F.D., 2 per cent.

Melbourne.—Removing gardener's shed to new site, Parliament House, Spring-street. P.D., £10. F.D., 2 per cent.

Melbourne.—Renewal of floor, binder's branch, Government Printing Office. P.D., £5. F.D., 2 per cent.

Mudgegonga.—Erection and completion of teacher's residence, &c., S.S. No. 2171. (W.O., Wangaratta; P.S., Tallangatta; S.S., Mudgegonga.) P.D., £15. F.D., 2 per cent.

Nhill.—Adaptation of huts into classrooms, S.S. No. 2411 (W.O., Horsham, Warracknabeal; S.S., Nhill.) P.D., £15 F.D., 2 per cent.

Osborne.—External and internal repairs and renovations to building removed from Horsley's Estate to S.S. No. 2655. (S.S., Osborne.) P.D., £5. F.D., 2 per cent.

Plenty.—Additional classroom, repairs and painting, S.S. No. 4093. (S.S., Plenty.) P.D., £10. F.D., 2 per cent.

Prahran.—Excavations and concrete foundations, Girls Technical School. P.D., £20. F.D., 2 per cent.

Queenscliff.—Painting and minor repairs, Health and Recreation Camp. (W.O., Geelong; Health and Recreation Camp, Queenscliff.) P.D., £5. F.D., 2 per cent.

Runnymede East.—Alterations to residence, repairs to school, S.S. No. 2421. (W.O., Bendigo; P.S., Elmore; S.S., Runnymede East.) P.D., £10. F.D., 2 per cent.

Seymour.—Addition of a staff room, S.S. No. 547. (W.O., Alexandra; P.S., Euroa; S.S., Seymour.) P.D., £5. F.D., 2 per cent.

Stawell.—Renewal of water service and new drinking troughs, S.S. No. 502. (W.O., Ararat; S.S., Stawell.) Deposit, £3.

Tongala.—Conversion of Army hut into craft-rooms for woodwork and sheetmetal, Consolidated School No. 3776. (W.O., Shepparton; P.S., Echuca, Kyabram; Consolidated School, Tongala.) P.D., £10. F.D., 2 per cent.

Trawool.—Repairs and painting, S.S. No. 2700. (W.O., Alexandra; P.S., Seymour, Yea; S.S., Trawool.) Deposit, £3.

Undera.—Repairs, renovations, painting, and provision of louvre windows, skylight and tanks, school and residence, S.S. No. 1771. (W.O., Shepparton; P.S., Shepparton; S.S., Undera.) P.D., £4. F.D., 2 per cent.

Werrimull.—Renovations and extensions and conversion of part of S.S. No. 4210, Lake Cullulleraine, to lady teacher's flat, Consolidated School. (W.O., Mildura, Swan Hill; P.S., Werrimull.) P.D., £15. F.D., 2 per cent.

13th September, 1949.

Cobden.—Repairs and painting, residence, S.S. No. 864. (W.O., Camperdown, Warrnambool; S.S., Cobden.) Deposit, £3.

Cranbourne.—Provision of septic tank, out-office, plumbing, &c., P.S. (W.O., Korumburra; P.S., Dandenong, Warragul, Loch.) P.D., £5. F.D., 2 per cent.

Darraweit Guim.—Erection of sleep-out, internal repairs, and renovations to existing dwelling, S.S. No. 878. (S.S., Darraweit Guim.) Deposit, £3.

Eskdale.—Repairs, painting, &c., S.S. No. 2318. (W.O., Wangaratta; P.S., Tallangatta; S.S., Eskdale.) P.D., £3. F.D., 2 per cent.

Footscray.—Supply and delivery of one (1) split casing centrifugal pump, T.S. P.D., £4. F.D., 2 per cent.

Kilmany Park.—Completion of new woodwork room, repairs, and painting to existing school, S.S. No. 4240. (W.O., Bairnsdale; P.S., Sale; S.S., Kilmany Park.) P.D., £15. F.D., 2 per cent.

Moe.—Provision of new water service, drinking troughs, basins, paving, and drain, S.S. No. 2412. (W.O., Traralgon; P.S., Warragul; S.S., Moe.) P.D., £4. F.D., 2 per cent.

Nalangil.—Additions to residence and partition in school, S.S. No. 3189. (W.O., Camperdown; P.S., Colac; S.S., Nalangil.) Deposit, £2.

North Melbourne.—Repairs and painting, S.S. No. 2566. P.D., £10. F.D., 2 per cent.

Spotswood.—Repairs and painting, S.S. No. 3659. P.D., £10. F.D., 2 per cent.

Ten Mile Creek.—Improved lighting, repairs, and painting, S.S. No. 3102. (W.O., Traralgon, Korumburra; S.S., Ten Mile Creek.) P.D., £5. F.D., 2 per cent.

Yallourn.—Conversion of Army hut into three (3) classrooms, T.S. (W.O., Traralgon; P.S., Warragul; T.S., Yallourn.) P.D., £15. F.D., 2 per cent.

Tenders to be addressed to the Honorable the Commissioner of Public Works, and envelope containing tender marked "Tender for
due

J. A. KENNEDY
Commissioner of Public Works.

Melbourne, 23rd August, 1949.

TENDERS FOR THE SERVICE 1949-50.
FIREWOOD (COUNTRY TOWNS).

TENDERS will be received until Eleven o'clock a.m. on Friday, 23rd September, 1949, for the supply of Firewood, in such quantities as may be required by the Government of Victoria at the under-mentioned places, including supplies for High Schools under the Education Department, from the 1st October, 1949, to the 30th September, 1950. Supplies for the Railways Department and State Schools are not included.

Place.	Departments for which Supply is Required.	Estimated Annual Quantity of Firewood Required for Each Place.			
		In 1-ft. Billets.	In 2-ft. Lengths.	In 5-ft. Lengths.	In 6-ft. Lengths.
		Tons of 40 cubic feet.	Tons of 40 cubic feet.	Tons of 40 cubic feet.	Tons of 40 cubic feet.
Alexandra ..	Government Institutions, Offices, and High Schools	..	10
Bairnsdale ..	" " " " " "	..	40
Benalla ..	" " " " " "	..	65
Camperdown ..	" " " " " "	..	15
Colac ..	" " " " " "	..	45
Dandenong ..	" " " " " "	..	40
Daylesford ..	" " " " " "	..	20
Dimboola ..	" " " " " "	5	20
Echuca ..	" " " " " "	..	20
Frankston ..	" " " " " "	..	25
Geelong ..	" " " " " "	..	45	..	100
Hamilton ..	" " " " " "	..	50
Kerang ..	" " " " " "	..	30
Kyneton ..	" " " " " "	..	20
Leongatha ..	" " " " " "	..	25
Maryborough ..	" " " " " "	..	40
Mildura ..	" " " " " "	..	50
Nhill ..	" " " " " "	..	20
Portland ..	" " " " " "	..	45
Rutherglen ..	" " " " " "	..	10	80	..
St. Arnaud ..	" " " " " "	..	30
Sale ..	" " " " " "	..	45	50	..
Seymour ..	" " " " " "	..	15
Shepparton ..	" " " " " "	..	40
Swan Hill ..	" " " " " "	5	30
Upwey ..	" " " " " "	..	20
Warracknabeal ..	" " " " " "	..	15
Warragul ..	" " " " " "	..	40
Warrnambool ..	" " " " " "	..	65
Yallourn ..	" " " " " "	..	40

Printed forms of tender, showing estimates of requirements and conditions of contract, may be obtained from the Secretary to the Tender Board, Gisborne-street, Melbourne, C.2, or from the officer in charge of police at each of the above-mentioned places, by whom also any information or explanation will be afforded to persons tendering.

Prices, which must be expressed in words as well as in figures, and without alterations, erasures, or discrepancies, must be per ton of 40 cubic feet, including delivery and all charges.

Tenders, which must be upon the printed form, will be received for one or more of the above-mentioned places, and tenders for such places may be accepted separately; any of the lengths of wood stipulated may be tendered for and may be accepted separately.

Tenderers must specify the kind or kinds of firewood offered.

Telegrams or tenders not complying with the terms of advertisement will not be entertained.

No security will be required.

Tenderers failing to take up their accepted tenders, or failing to carry out their contracts satisfactorily, will be ineligible to again hold contracts for Government supplies.

Tenders must be enclosed in an envelope, marked "Tender for Firewood at," as the case may be, and deposited in the Tender Box, Tender Board Offices, Gisborne-street, Melbourne, C.2; or, if sent by post, they must be addressed to the Chairman of the Tender Board, Tender Board Offices, Gisborne-street, Melbourne, C.2.

The lowest or any tender will not necessarily be accepted.

Acceptance of tenders will be notified in the *Government Gazette* and by letter to successful tenderers.

CONDITIONS OF CONTRACT.

1. As the exact quantity of firewood which may be required cannot be stated, the estimate being approximate only, the Government will not be bound by the quantity stated, but will be at liberty to order more or less, according to circumstances, and the contractor will be bound to supply rates.

2. All the firewood supplied under these contracts must be split out of large timber, must be perfectly sound, dry, and of the kind or kinds specified in the tender; neither burnt wood, heartwood, small branches, nor outside pieces of bark will be received. The billets must be not less than 4 inches nor more than 6 inches in diameter, and the long wood to be not less than 9 inches nor more than 18 inches in diameter. Delivery to be made on the written order of the authorized officer of the Department requiring the supply. The ton of firewood consists of 40 cubic feet. If the firewood be obtained from a State Forest Timber Reserve, or ordinary Crown lands, persons cutting or removing same must be provided with a licence or permit from the Forests Commission. Messmate wood will not be accepted.

3. Orders will be issued half-yearly (except in cases where the storage is small, when they will be issued quarterly).

4. The contractor will be bound to place the firewood in stacks for measurement in such places as may be directed by the officer receiving the supply. The stacks are to be 2 feet wide (or 5 feet for long wood) by 5 feet high, with space between each stack for measuring; and the billets (or lengths) are all to lie the same way, viz., crossways of the stacks in the form of a cord, and are to be laid as closely and solidly as possible in the stack, and to the satisfaction of the officer receiving the supply. In the event of any inconvenience being caused, either through delay in delivery or of stacking the wood, or failure to stack the wood in the places directed, the Department concerned will purchase elsewhere or re-stack that delivered, at the risk of the contractor, from whose account any expense incurred thereby will be deducted, provided that the contractor shall be given 48 hours' notice before purchases are made or the wood re-stacked at his risk.

5. The officer receiving the supply shall have full power to reject any wood which he may consider not in accordance with the contract, notice of which will be given to the contractor in writing, stating the reason. The contractor may, however, claim a survey; but in that case he must, within 48 hours after objection is made, give notice thereof in writing to the officer rejecting the wood.

6. The board of survey will be composed of persons appointed by the Tender Board, and the decision of the board of survey is to be considered as final.

7. If the board of survey shall decide that the supply is not of proper quality, it must be immediately replaced by the contractor; failing which it will be procured elsewhere, and the extra expense incurred thereby, if any, will be deducted from the contractor's account.

8. Accounts for firewood shall be rendered to the Department receiving the supply immediately upon completion of the order, which must be attached to the account. Payment will be made through the Treasury, Melbourne.

9. In the event of any irregularity on the part of the contractor being repeated, it will be competent for the Government, in case such irregularity should be established to the satisfaction of the Tender Board, to cancel the contract forthwith.

10. Contractors are not at liberty to transfer their contracts under cover of power of attorney, coupled with an interest or otherwise, and no such transfer will be recognized by the Government.

11. Under no circumstances will a contractor be permitted to abandon his contract.

The Treasury,
Melbourne, 22nd August, 1949.

T. T. HOLLWAY,
Treasurer.

TENDERS FOR THE SERVICE, 1949.

PROVISIONS—MEAT.

TENDERS will be received until Eleven o'clock a.m. on Friday, 9th September, 1949, from persons willing to furnish the under-mentioned supplies, in such quantities as may be ordered by the Victorian Government—delivery to be made at the under-mentioned places—during the three months commencing on 1st October, 1949.

The estimated quantities shown in the Schedules will be subject to variation in accordance with the requirements of any Regulations for the rationing of meat in force during the contract period.

The prices tendered must not include sales tax.

In all cases, the total cost of each item must be extended in the columns provided.

The places for which tenders will be received, the amount of the preliminary deposit, and the security required for the due fulfilment of each contract, are as follows:—

	Preliminary Deposit.	Security.
	£	£
Schedule No. 1.—Melbourne District—		
Meat—Kew Mental Hospital	2	35
„ Pentridge Penal Establishment, Female Penitentiary, and Metropolitan Gaol, Coburg	2	35
„ Children's Welfare Depot, Royal Park, and Police Hospital	1	8
„ Receiving House and Mental Hospital, Royal Park	1	10
Schedule No. 2.—Mont Park, Bundoora, Janefield, and Gresswell—		
Meat	3	50
Schedule No. 3.—s.s. Rip and Dredges—		
Meat	1	5
Schedule No. 4.—Teachers' College, Carlton, and Travancore, Flemington—		
Meat	1	8
Schedule No. 5.—Ararat District—		
Meat	2	30
Schedule No. 6.—Ballarat District—		
Meat	2	35
Schedule No. 7.—Beechworth District—		
Meat	2	30
Schedule No. 8.—Castlemaine District—		
Meat	1	5
Schedule No. 9.—School of Forestry, Creswick—		
Meat	1	3
Schedule No. 10.—McLeod Settlement, French Island—		
Meat	1	5
Schedule No. 11.—Heatherton Sanatorium, Cheltenham—		
Meat	1	5
Schedule No. 12.—Sanatorium, Greenvale—		
Meat	1	7
Schedule No. 13.—Cooriemungle Prison Camp, Heytesbury Forest—		
Meat	1	4

	Preliminary Deposit.	Security.
	£	£
Schedule No. 16.—Sale Gaol—		
Meat	1	3
Schedule No. 17.—Pleasant Creek Special School, Stawell—		
Meat	1	3
Schedule No. 18.—Sunbury District—		
Meat	2	40
Schedule No. 21.—Geelong District—		
Meat	1	5

Printed forms of tender and the conditions of contract may, in all cases, be obtained from the Secretary to the Tender Board, Gisborne-street, Melbourne, by whom also any information or explanation will be afforded to persons tendering.

Tenders must be accompanied by the preliminary deposit, as shown above, *preferably by non-negotiable cheque payable to the order of the Secretary to the Tender Board.* The amount and designation of the preliminary deposit enclosed must be clearly stated in the tender. *Savings Bank deposit books, fixed deposit receipts, Commonwealth Treasury bonds, or reference to securities on existing contracts will in no case be received or entertained as preliminary deposits.* Preliminary deposits will be returned within 30 days to unsuccessful tenderers on their application.

Security will be required either in Commonwealth Treasury Bonds, or approved bank guarantee, fixed deposit receipt, Savings Bank deposit book, or non-negotiable cheque in favour of the Secretary to the Tender Board, as the tenderer may elect.

The security must be completed and the contract signed within five days of acceptance of the tender, failing which the service may be again advertised, or another tender accepted.

The lowest or any tender will not necessarily be accepted.

In the event of tenderers withdrawing or attempting to withdraw their tenders before notification of acceptance of same, or failing to take up their accepted tenders within the prescribed period after notification of acceptance, the preliminary deposit will be forfeited and, in addition, they may be disqualified from tendering or holding any future contracts for Government supplies for a period of twelve months, such disqualification to date from the notification of acceptance of tender. It is also stipulated that, if a tenderer be a member of a firm and such firm be interested in the contract, the tender shall be in the name of the firm and not in that of the individual and that, for a breach of this condition, the preliminary deposit will be forfeited and the tender declared informal.

Tenders, enclosed in a separate envelope, and *having the words "Tender for at" (as the case may be) written thereon,* must be deposited in the Tender-box at the Tender Board Offices, Gisborne-street, Melbourne, or, if sent by post, postage must be prepaid, and the tenders addressed to the Chairman of the Tender Board, Tender Board Offices, Gisborne-street, Melbourne, C.2, which office they must reach not later than by first post on the date of closing of tenders.

CONDITIONS OF CONTRACT.

The conditions of contract are those published in the *Victoria Government Gazette*, No. 328, dated 4th May, 1949, pages 2375 to 2377.

T. T. HOLLWAY,
Treasurer.

The Treasury,
Melbourne, 22nd August, 1949.

TENDERS FOR THE SERVICE, 1949-50.

PROVISIONS.

BUTTER AND CHEESE.

TENDERS will be received until Eleven o'clock a.m. on Friday, 9th September, 1949, from persons willing to furnish the under-mentioned supplies, in such quantities as may be ordered by the Victorian Government during the twelve months commencing on 1st October, 1949, as per Schedule No. 22—delivery to be made at the institutions at the under-mentioned places.

The places and supplies for which tenders will be received and the amount of the preliminary deposit required are as follows:—

Schedule No. 22.—Preliminary Deposit, £10
Melbourne, Mont Park, Ararat, Ballarat, Beechworth, and Sunbury Districts—Butter and Cheese.
Greenvale Sanatorium and Pleasant Creek Special School, Stawell—Butter.

The prices tendered must not include sales tax.

Schedule as above, with full particulars, may be obtained from the Secretary to the Tender Board, and for the several districts, from the Medical Superintendent, Mental Hospital, at Ararat, Ballarat, Beechworth, Mont Park, and Sunbury, respectively; for Greenvale, from the Superintendent at the Sanatorium; for Stawell, from the Secretary, Special School, by whom also any information or explanation will be afforded to persons tendering.

Tenders must be accompanied by the preliminary deposit, as shown above, preferably by non-negotiable cheque payable to the order of the Secretary to the Tender Board. The amount and designation of the preliminary deposit enclosed must be clearly stated in the tender. *Savings Bank deposit book, fixed deposit receipts, Commonwealth Treasury bonds, or reference to securities on existing contracts will in no case be received or entertained as preliminary deposits.* Preliminary deposits will be returned within 30 days to unsuccessful tenderers on their application.

Security will be required either in Commonwealth Treasury Bonds, or approved bank guarantee, fixed deposit receipt, Savings Bank deposit book, or non-negotiable cheque in favour of the Secretary to the Tender Board, as the tenderer may elect.

The security must be completed and the contract signed within ten days of acceptance of the tender, failing which the contract may be again advertised, or another tender accepted.

The lowest or any tender will not necessarily be accepted.

In the event of tenderers withdrawing or attempting to withdraw their tenders before notification of acceptance of same, or failing to take up their accepted tenders within the prescribed period after notification of acceptance, the preliminary deposit will be forfeited and, in addition, they may be disqualified from tendering or holding any future contracts for Government supplies for a period of twelve months, such disqualification to date from the notification of acceptance of tender. It is also stipulated that, if a tenderer be a member of a firm and such firm be interested in the contract, the tender shall be in the name of the firm and not in that of the individual and that, for a breach of this condition, the preliminary deposit will be forfeited and the tender declared informal.

Tenders enclosed in a separate envelope, and having the words "Tender for at" (as the case may be) written thereon, must be deposited in the Tender Box at the Tender Board Offices, Gisborne-street, Melbourne, or, if sent by post, postage must be prepaid, and the tenders addressed to the Chairman of the Tender Board, Tender Board Offices, Gisborne-street, Melbourne, C.2, which office they must reach not later than by first post on the date of closing of tenders.

The conditions of contract are those published in the *Victoria Government Gazette*, No. 328, dated 4th May, 1949, pages 2375 to 2377.

T. T. HOLLWAY,
Treasurer.

The Treasury,
Melbourne, 22nd August, 1949.

No. 732.—8415/49.—3

TENDERS FOR GRAZING.

(Section 121, *Land Act 1928.*)

For the period 1st October, 1949, to 30th September, 1950, renewable annually for a further period where stated.

Tender forms and all particulars can be obtained on application to the Lands Department, Melbourne, or any of the Lands Offices in the country.

Tenders endorsed "Tender for Grazing" should be placed in the Department of Crown Lands Tender Box, State Treasury Buildings, Melbourne, C.2, at or before Noon on Wednesday, the 21st September, 1949.

TENDERS are invited and must be lodged at the Lands Department, Melbourne, at or before Noon on Wednesday, 21st September, 1949, for the right to depasture stock on the following unappropriated portions of lands, subject to the Regulations approved by the Governor in Council and also the subjoined conditions.

CONDITIONS.

1. The period of occupation will be from 1st October, 1949, to 30th September, 1950, renewable annually for a further period where stated.

2. The rent for twelve months—for which the licence will be issued, and the licence-fee of 7s. 6d.—must accompany the tender; otherwise the offer of the next highest tenderer who complies with this condition may be accepted.

3. The licensee shall pay shire rates and all other charges for the period of occupation.

4. Separate tenders must be lodged for each block.

5. Tenders to be addressed to the Secretary for Lands (Tender-box), Melbourne, and endorsed Tender for Grazing.

6. The highest or any tender not necessarily accepted.

7. Tenderers must give their full name, occupation, and ordinary postal address.

8. Where permission to fence has been granted, the outgoing tenant has the option to remove any existing fencing owned by him within one month, or he may arrange with the incoming tenant to pay for it in accordance with the provisions of section 124, *Land Act 1928.*

This does not apply to cases where the land was the subject of an expired Grazing Area Lease. In all such cases, the ingoing tenant will be held responsible for the care and maintenance of any improvements.

R. C. GUTHRIE,

Commissioner of Crown Lands and Survey.

Office of Lands and Survey,

Melbourne, 22nd August, 1949.

	Area, Acres.
Lot 1 (B.1526)— Parish of Mount Cole, being that portion of the Water and Camping Reserve lying north of allotment 3c of section 3. Formerly licensed to C. Harbour. Period of occupation, one year from 1st October, 1949.—(Ararat 1437/121.)	10
Lot 2 (B.1527)— Township of Molesworth, Parish of Molesworth, being the unoccupied Crown lands in the township. Formerly licensed to F. J. Aldous. Period of occupation, one year from 1st October, 1949, renewable annually for four years from 1st October, 1950.—(Alexandra 0326/121.)	60
Lot 3 (B.1528)— Parish of Boole Poole, County of Tanjil, being the area known as Barton Island. Formerly licensed to the estate of F. W. Barton. Period of occupation, one year from 1st October, 1949, renewable annually for four years from 1st October, 1950.—(Bairnsdale 0143/121.)	80

	Area, Acres.		Area, Acres.
Lot 4 (B.1529)— Parishes of Bungwarr, Cobon, Goongerah, and Noonga, being grazing block 27, County of Croajingolong. Formerly licensed to J. McL. Burton. Period of occupation, one year from 1st October, 1949, renewable annually for four years from 1st October, 1950.—(<i>Bairnsdale</i> 0563/121.)	23,500	Lot 14 (B.1539)— Parishes of Purgagoolah and Jilwain, being grazing block 37, County of Croajingolong. Formerly licensed to A. M. Morgan. Period of occupation, one year from 1st October, 1949, renewable annually for four years from 1st October, 1950.—(<i>Bairnsdale</i> 0425/121.)	19,200
Lot 5 (B.1530)— Parish of Buchan, County of Tambo, being allotments 29, 29B, 32, 33, 42, 43, 44, 50, and 51 of section A. Formerly licensed to M. J. Rozynski. Period of occupation, one year from 1st October, 1949, renewable annually for four years from 1st October, 1950.—(<i>Bairnsdale</i> 151/121.)	3,840	Lot 15 (B.1540)— Parish of Deddick, being grazing block 15, County of Croajingolong. Formerly licensed to F. C. Minchin. Period of occupation, one year from 1st October, 1949, renewable annually for four years from 1st October, 1950.—(<i>Bairnsdale</i> 212/121.)	24,200
Lot 6 (B.1531)— Parish of Wibenduck, being grazing block 25B, County of Croajingolong. Formerly licensed to T. J. Malinn. Period of occupation, one year from 1st October, 1949, renewable annually for four years from 1st October, 1950.—(<i>Bairnsdale</i> 54/121.)	14,000	Lot 16 (B.1541)— Parish of Jingallala, County of Croajingolong, being allotment 11. Formerly held by G. A. Gilchrist. Improvements to be maintained. Period of occupation, one year from 1st October, 1949, renewable annually for four years from 1st October, 1950.—(<i>Bairnsdale</i> 185/44.)	1,307
Lot 7 (B.1532)— Parish of Moonkan, being grazing block 16, County of Croajingolong. Formerly licensed to C. H. West. Period of occupation, one year from 1st October, 1949, renewable annually for four years from 1st October, 1950.—(<i>Bairnsdale</i> 205/121.)	41,000	Lot 17 (B.1542)— Parish of Carboor, County of Delatite, being a water reserve south of and adjoining allotment 9 of section 3. Unlocked swing gates giving access to water must be provided. Period of occupation, one year from 1st October, 1949, renewable annually for four years from 1st October, 1950.—(<i>Beechworth</i> 01232/121.)	10
Lot 8 (B.1533)— Parishes of Yarak, Jilwain, and Purgagoolah, being grazing block 41, County of Croajingolong. Formerly licensed to Staggs Bros. Period of occupation, one year from 1st October, 1949, renewable annually for four years from 1st October, 1950.—(<i>Bairnsdale</i> 0538/121.)	14,800	Lot 18 (B.1543)— Township of Rutherglen, Parish of Carlyle, as formerly licensed to Rutherglen Shire Council, less area reserved for water supply. Period of occupation, one year from 1st October, 1949, renewable annually for four years from 1st October, 1950.—(<i>Beechworth</i> 0432/121.)	64
Lot 9 (B.1534)— Parish of Wingan, being grazing block 66, County of Croajingolong. Formerly licensed to J. G. Hodson. Period of occupation, one year from 1st October, 1949, renewable annually for four years from 1st October, 1950.—(<i>Bairnsdale</i> 3/121.)	23,500	Lot 19 (B.1544)— Parish of Werमतong, County of Bogong, being allotments 29 and 29A of section 5. Formerly licensed to F. Roper. Period of occupation, one year from 1st October, 1949.—(<i>Beechworth</i> 01153/121.)	495
Lot 10 (B.1535)— Parish of Wat Wat, being grazing block 21, County of Croajingolong. Formerly licensed to P. H. Reed. Period of occupation, one year from 1st October, 1949, renewable annually for four years from 1st October, 1950.—(<i>Bairnsdale</i> 91/121.)	33,000	Lot 20 (B.1545)— Parish of Berringama, County of Benambra, being allotment 61. Period of occupation, one year from 1st October, 1949, renewable annually for four years from 1st October, 1950.—(<i>Beechworth</i> 0931/121.)	335
Lot 11 (B.1536)— Parishes of Goolengook, Kuark, and Noonga, being grazing block 26, County of Croajingolong. Formerly licensed to G. Cameron. Period of occupation, one year from 1st October, 1949, renewable annually for four years from 1st October, 1950.—(<i>Bairnsdale</i> 49/121.)	39,700	Lot 21 (B.1546)— Parish of Wandiligong, County of Delatite, being Crown lands north of and adjoining allotment 5A of section 7. Period of occupation, one year from 1st October, 1949, renewable annually for four years from 1st October, 1950.—(<i>Beechworth</i> H.018620.)	40
Lot 12 (B.1537)— Parish of Pinnak, being grazing block 31, County of Croajingolong. Formerly licensed to S. J. W. Lynn. Period of occupation, one year from 1st October, 1949, renewable annually for four years from 1st October, 1950.—(<i>Bairnsdale</i> 157/121.)	19,000	Lot 22 (B.1547)— Parish of Wabonga South, County of Delatite, being allotments 12 and 12A. Period of occupation, one year from 1st October, 1949, renewable annually for four years from 1st October, 1950.—(<i>Beechworth</i> 01235/121.)	2,329
Lot 13 (B.1538)— Parish of Cobon, being grazing block 19, County of Croajingolong. Formerly licensed to H. E. Sellers. Period of occupation, one year from 1st October, 1949, renewable annually for four years from 1st October, 1950.—(<i>Bairnsdale</i> 65/121.)	48,000	Lot 23 (B.1548)— Parish of Tamleugh, County of Moira, being allotment 92A. Period of occupation, one year from 1st October, 1949, renewable annually for four years from 1st October, 1950.—(<i>Benalla</i> 0218/121.)	83

	Area, Acres.		Area, Acres.
Lot 24 (B.1549)—		Lot 33 (B.1558)—	
Parish of Karrabumet, County of Moira, being the area reserved for water and public purposes, known as Rowan's Swamp. Formerly licensed to J. D. Cameron. Period of occupation, one year from 1st October, 1949, renewable annually for four years from 1st October, 1950.—(<i>Benalla</i> 1497/121.)	880	Parish of Terlite-Munjie, being grazing block 17c, County of Dargo. Formerly licensed to A. A. Betts. Period of occupation, one year from 1st October, 1949, renewable annually for four years from 1st October, 1950.—(<i>Omeo</i> 103/121.)	13,000
Lot 25 (B.1550)—		Lot 34 (B.1559)—	
Township of Ravenswood, Parish of Ravenswood, County of Bendigo, being allotment 64, excluding an area of 1 acre held by W. McLeod as a bee farm site. Period of occupation, one year from 1st October, 1949, renewable for one year from 1st October, 1950.—(<i>Castlemaine</i> W.66063.)	57	Parish of Budgee Budgee, County of Wonnagatta, being grazing block 60. Formerly licensed to H. L. Treasure. Period of occupation, one year from 1st October, 1949, renewable annually for four years from 1st October, 1950.—(<i>Sale</i> 148/121.)	12,800
Lot 26 (B.1551)—		Lot 35 (B.1560)—	
Township and Parish of Ravenswood, being portion of the Railway Reserve at the rear of the railway residences adjoining the Ravenswood Railway Station, and formerly held under licence by W. T. P. Nye. Period of occupation, one year from 1st October, 1949, renewable for a further year from 1st October, 1950.—(<i>Castlemaine</i> 0492/121.)	5	Parish of Bailleston, County of Rodney, being the Reedy Lake Reserve. Formerly licensed to W. J. Day. Period of occupation, one year from 1st October, 1949, renewable annually for four years from 1st October, 1950.—(<i>Seymour</i> 0234/121.)	3,140
Lot 27 (B.1552)—		Lot 36 (B.1561)—	
City of Geelong, being allotments 8, 9, 10, 11, 12, 14, 15, and 16, of section 11. Formerly licensed to M. J. Kearney. Period of occupation, one year from 1st October, 1949, renewable annually for four years from 1st October, 1950.—(<i>Geelong</i> 78/121.)	33	Parish of Karyrie, County of Karkaroc, being the 110th Section Reserve in the north-west of the parish, west of and adjoining allotment 103. Formerly held by A. A. Spittle. Period of occupation, one year from 1st October, 1949, renewable annually for four years from 1st October, 1950. The successful tenderer shall have the right to fence.—(<i>St. Arnaud</i> 0474/121.)	80
Lot 28 (B.1553)—		Lot 37 (B.1562)—	
Parish of Cooriejong, County of Heytesbury, bounded on the west by settled land and A. Cowley's former grazing area, and on the north, east, and south by the parish boundaries. Formerly held by A. K. Urquhart. Period of occupation, one year from 1st October, 1949.—(<i>Geelong</i> 186/121.)	12,000	Parish of Coonoor West, County of Kara Kara, being allotment 45a, and part of a former State school site west of and abutting allotment 45b. Allotment 45a was formerly held by M. J. Moore. Period of occupation, one year from 1st October, 1949, renewable annually for four years from 1st October, 1950.—(<i>St. Arnaud</i> 4580/121.)	77
Lot 29 (B.1554)—		Lot 38 (B.1563)—	
Parish of Bullawin, County of Dundas, being allotment 24. Formerly held by J. R. Crawford. Period of occupation, one year from 1st October, 1949, renewable annually for four years from 1st October, 1950.—(<i>Hamilton</i> 01679/121.)	680	Parish of Swanwater, County of Kara Kara, being allotment 30 of section G. Formerly held by H. Goldsbury. Period of occupation, one year from 1st October, 1949, renewable annually for four years from 1st October, 1950.—(<i>St. Arnaud</i> 0536/121.)	237
Lot 30 (B.1555)—		Lot 39 (B.1564)—	
Parish of Morea, County of Lowan, being allotment 45. Formerly licensed by M. J. and E. A. Charlton and M. F. Pearson. Period of occupation, one year from 1st October, 1949, renewable annually for four years from 1st October, 1950.—(<i>Horsham</i> 0892/121.)	320	Parish of Rich Avon East, County of Kara Kara, being all that piece of land west of and abutting part of allotment 45a of section 19, and being part of a water reserve and extension thereof. Permission to fence will be given. Period of occupation, one year from 1st October, 1949, renewable annually for four years from 1st October, 1950.—(<i>St. Arnaud</i> 4379/121.)	103
Lot 31 (B.1556)—		Lot 40 (B.1565)—	
Parish of Dooen, known as the Dooen Swamp, formerly held by E. J. L. Tepper, excluding an area of 15 acres on the western road boundary held by the Horsham District Motor Cycle Club under permissive occupancy. The successful tenderer must arrange with the outgoing licensee regarding the fencing on the land, in accordance with clause 8 of the conditions. Period of occupation, one year from 1st October, 1949, renewable annually for four years from 1st October, 1950.—(<i>Horsham</i> 018/121.)	479	Parish of Bunguluke, County of Kara Kara, being allotment 58 of section A (water reserve) and part of Tyrrell Creek Reserve situated west of and abutting allotments 59 and 60 of section A. Formerly held by Mrs. B. O. Gordon. Period of occupation, one year from 1st October, 1949, renewable annually for two years from 1st October, 1950.—(<i>St. Arnaud</i> 0511/121.)	78
Lot 32 (B.1557)—		Lot 41 (B.1566)—	
Parish of Gisborne, County of Bourke, known as the Racecourse and Recreation Reserve. Formerly held by D. J. Fitzgerald. Period of occupation, twelve months from 1st October, 1949, renewable annually for two years from 1st October, 1950. All existing fences are to be maintained in good order and condition. Pine plantations on the area are to be protected.—(<i>Melbourne</i> 01239/121.)	132	Parish of Bunguluke, County of Kara Kara, being part of the Tyrrell Creek Reserve situated west of and abutting Crown allotments 61, 81, 82, and 84 of section A. Period of occupation, one year from 1st October, 1949, renewable annually for two years from 1st October, 1950.—(<i>St. Arnaud</i> 0662/121.)	92

PUBLIC SERVICE NOTICES.

PUBLIC SERVICE OF VICTORIA.—VACANCIES.

APPLICATIONS will be received by the Public Service Board up to Wednesday, the 7th September, 1949, from persons employed in the Public Service of Victoria, who are eligible and qualified, for appointment to the under-mentioned positions:—

ADMINISTRATIVE DIVISION.

Clerk, Class "C," Accounts Branch, Department of Water Supply.

Yearly Salary.—£449, minimum; £501, maximum.

Duties.—To keep progressive records of the Commission's Revenue and Expenditure from all funds as against Annual Estimates; to collate and maintain statistical and other information in respect of all District Offices and Works. To be responsible for files and other documents referred to the Accountant; to prepare financial statements and returns as required.

Qualifications.—To be an experienced accounts clerk with a good knowledge of Government accounting, Treasury procedure, Regulations respecting Public Accounts, Public Service Regulations, and ability to précis correspondence and prepare financial returns.

Clerk, Class "C," Stores Branch, Department of Water Supply.

Yearly Salary.—£449, minimum; £501, maximum.

Duties.—To prepare requisitions for the placing of orders for engineering stores for the Commission's Bulk Store; to prepare orders for stores and materials requisitioned by construction projects and districts; to keep stock records as required.

Qualifications.—To be familiar with general engineering stores, and to have a knowledge of stores accounting. Experience in the operation of a large store is desirable.

PROFESSIONAL DIVISION.

Assistant Registrar of the County Court, Melbourne, Class "C2," Courts Branch, Department of Law.

Yearly Salary.—£592, minimum; £644, maximum.

Duties.—To assist the Registrar, and, in his absence, to perform the duties of Registrar and Clerk of the Peace.

Qualifications.—As prescribed by Regulation 42 (a) of the Public Service (Public Service Board) Regulations.

Draughtsman, Class "D," Reclamation Branch, Department of Water Supply.

Yearly Salary.—£312, minimum; £436, maximum.

Duties.—To prepare survey plans and designs of civil and hydraulic engineering structures; to take out earthwork quantities and prepare longitudinal sections of channels and pipe lines for water supply and drainage.

Qualifications.—To have had Technical School training in Engineering or Draughtsmanship or experience in the class of work outlined above.

Assistant (Male), Class "E," Public Library Branch, Department of Chief Secretary.

Yearly Salary.—£143, minimum; £286, maximum.

Duties.—To assist generally in the professional work of the Public Library.

Qualifications.—To have passed the Leaving Certificate examination, or to hold the Preliminary Certificate of the Australian Institute of Librarians, and to have had experience in library work. Applicants will be submitted to a suitable test to prove their qualifications and aptitude for library work.

Assistant (Female), Class "E," Public Library Branch, Department of Chief Secretary. (Five vacancies.)

Yearly Salary.—£130, minimum; £247, maximum.

Duties.—To assist generally in the professional work of the Public Library.

Qualifications.—To have passed the Leaving Certificate examination, or to hold the Preliminary Certificate of the Australian Institute of Librarians, and to have had experience in library work. Applicants will be submitted to a suitable test to prove their qualifications and aptitude for library work.

TECHNICAL AND GENERAL DIVISION.

Vegetable Supervisor, Department of Agriculture.

Yearly Salary.—£358, minimum; £462, maximum.

Duties.—To supervise and give instruction to vegetable growers in the production of vegetables and vegetable seeds, and to carry out field inspections and district administrative work under Victorian Vegetable Seed Certification and Approval Schemes.

Qualifications.—To possess a thorough practical knowledge of modern methods of vegetable and vegetable seed production and of varieties and strains of vegetables, and to have sound practical experience in the detection of diseases and symptoms of diseases attacking these crops, and to have passed the prescribed examination.

Cook (Male), Mont Park Mental Hospital, Department of Health.

Salary.—£341 a year.

Duties.—To assist in preparation, cooking, and serving of meals for patients and staff, and in maintenance and cleanliness of kitchen.

Qualifications.—A knowledge of and experience in large-quantity cooking.

Hospital Nurse, Ballarat Mental Hospital, Department of Health.

Salary.—£338 a year.

Duties.—To be in charge of a Hospital ward—staff and patients.

Qualifications.—To possess Trained Mental Nurse's Certificate, experience as Nurse, Grade I., in a Mental Hospital, tact and ability to control patients and staff.

Library Attendant, Grade II., Public Library Branch, Department of Chief Secretary.

Yearly Salary.—£312, minimum; £338, maximum.

Duties.—To perform the general duties of an attendant in the Public Library, collating and preparing books for shelves, arranging books on shelves, and obtaining books from stacks.

Qualifications.—Good appearance and suitability for attending to the public, educated up to proficiency certificate, or to merit certificate, with library experience.

Cook (Female), Pleasant Creek Special School, Stawell, Department of Health.

Yearly Salary.—£263, minimum; £276, maximum.

Duties.—To assist in preparation and cooking of meals.

Qualifications.—A knowledge of and experience in large-quantity cooking.

NOTE.—In addition to the salary rates quoted, a cost of living adjustment (£102 a year for adult males, £68 a year for adult females, and £51 a year for minors), which varies in accordance with the rise or fall in the index number of the cost of living, is payable.

By order,

E. F. FITZGIBBON,
Secretary.

Office of the Public Service Board,
Melbourne, 22nd August, 1949.

PUBLIC SERVICE OF VICTORIA.—VACANCY.

PROFESSIONAL DIVISION.

APPLICATIONS will be received by the Public Service Board up to Wednesday, the 7th September, 1949, from persons who are qualified, for appointment to the under-mentioned position:—

Assistant Psychiatrist, Class "A1," Mental Hygiene Branch, Department of Health.

Yearly Salary.—£1,050, minimum; £1,150, maximum.

Duties.—Under the direction of the Psychiatrist in Charge, to engage in psychiatric investigation and treatment of clinic cases, including cases referred by the Tuberculosis Division.

Qualifications.—To be a medical practitioner with qualifications or experience in psychiatry, preferably with special knowledge of child psychiatry.

NOTE.—In addition to the salary rates quoted, a cost of living adjustment (£102 a year for adult males), which varies in accordance with the rise or fall in the index number of the cost of living, is payable.

By order,

E. F. FITZGIBBON,
Secretary.

Office of the Public Service Board,
Melbourne, 22nd August, 1949.

PUBLIC SERVICE OF VICTORIA.—VACANCY.

TEMPORARY APPOINTMENT.

APPLICATIONS will be received by the Public Service Board up to Wednesday, the 7th September, 1949, from persons who are qualified, for appointment to the under-mentioned position:—

Assistant Supervisor, Moorakynne Hostel, Travancore, Department of Health.

Salary.—£284 a year.

Duties.—To assist the Hostel Supervisor and to supervise the Hostel in her absence. The Assistant Supervisor will act as Cook for the Hostel with the assistance of the Hostel Nurse, and will supervise the activities of the girls within the Hostel.

Qualifications.—To be experienced in the management of a large household or institution and competent to carry out all work, including cooking. To be able to keep business accounts and other records; above all to possess the personality required for the understanding and management of the problems presenting themselves in the course of caring for backward and maladjusted girls.

NOTE.—In addition to the salary rate quoted, a cost of living adjustment (£68 a year for adult females), which varies in accordance with the rise or fall in the index number of the cost of living, is payable.

By order,

E. F. FITZGIBBON,
Secretary.

Office of the Public Service Board,
Melbourne, 22nd August, 1949.

No. 612.

Public Service Act 1946, Section 39.

REGULATIONS.—PART III.—SALARIES, INCREMENTS, AND ALLOWANCES.

THE Public Service Board, in pursuance of the powers conferred by the *Public Service Act 1946*, hereby amends its Regulations as shown below:—

FIRST SCHEDULE.

PROFESSIONAL DIVISION.

Offices and Rates of Salaries.

Office.	Yearly Rate of Salary.	
	Minimum.	Maximum.
DEPARTMENT OF LAW.		
CLASS "C1."		
Add— Professional Assistant, Public Solicitor's Office	527	579
DEPARTMENT OF PUBLIC WORKS.		
CLASS "C2."		
Add— Technical Stores Officer	592	644
DEPARTMENT OF HEALTH.		
MATERNAL AND CHILD HYGIENE BRANCH.		
CLASS "A."		
Add— Assistant Chief Medical Inspector (Female)	950	1,000
DEPARTMENT OF WATER SUPPLY.		
CLASS "B1."		
Add— Senior Electrical Engineer	748	800

D. D. PAINE, Chairman.

E. F. FITZGIBBON, Secretary.

Office of the Public Service Board,
Melbourne, 8th August, 1949.

No. 614.

PUBLIC SERVICE ACT 1946.

THE Public Service Board, in pursuance of the powers conferred by the *Public Service Act 1946*, hereby amends the Public Service (Public Service Board) Regulations as follows:—

PART III.—SALARIES, INCREMENTS, AND ALLOWANCES.

Overtime Allowances.

Regulation 64.

In sub-regulations (1) and (2) the words "three shillings and six pence" are substituted for the words "three shillings."

PART V.—TRAVELLING EXPENSES.

Regulation 83.

Sub-regulation (1).

In clause (b) the amount "3s. 6d." is substituted for the amount "3s."

In clause (c) (i) the amount "3s. 6d." is substituted for the amount "3s."

In clause (c) (ii) the amount "2s. 6d." is substituted for the amount "2s."

This Regulation shall have effect as on and from the 7th August, 1949.

D. D. PAINE, Chairman.

E. F. FITZGIBBON, Secretary.

Office of the Public Service Board,
Melbourne, 10th August, 1949.

No. 613.

PUBLIC SERVICE ACT 1946.

THE Public Service Board, in pursuance of the powers conferred by the *Public Service Act 1946*, hereby amends the Public Service (Public Service Board) Regulations as follows:—

PART V.—TRAVELLING EXPENSES.

DIVISION I.—REIMBURSEMENT OF PERSONAL EXPENSES.

Regulation 84 is deleted and the following Regulation is inserted in lieu thereof:—

84. The following shall be the scale of reimbursement for personal expenses while visiting—

(a) Capital cities other than Melbourne.

—	Full Rate (Less than One Week).	One Week but not more than Four Weeks.	More than Four but not more than Eight Weeks.
	a day. <i>s. d.</i>	a day. <i>s. d.</i>	a day. <i>s. d.</i>
(i) Permanent Heads ..	50 0	40 0	32 6
(ii) Other officers ..	35 0	30 0	25 0

Provided that, where the visit of an officer extends to more than eight weeks, the rate of reimbursement thereafter shall be as determined by the Board.

(b) All other places.

—	Full Rate (Less than One Week).	One Week, but not more than Four Weeks at the Same Place.	More than Four Weeks at the Same Place.
	a day. <i>s. d.</i>	a day. <i>s. d.</i>	a day. <i>s. d.</i>
(i) Permanent Heads ..	30 0	25 0	20 0
(ii) Officers other than Permanent Heads whose salaries are more than £900 a year	25 0	20 0	15 0
(iii) Other officers ..	20 0	17 6	13 6

Where the duties of an officer are of such a nature that he cannot ascertain beforehand that he will be detained one week or more at the same place, the Permanent Head may allow reimbursement at a rate higher than the scale rate but not more than the full rate.

This Regulation shall have effect as on and from the 7th August, 1949.

D. D. PAINE, Chairman.
E. F. FITZGIBBON, Secretary.

Office of the Public Service Board,
Melbourne, 10th August, 1949.

No. 617.

Public Service Act 1946, Section 50.

**REGULATIONS—PART III.—SALARIES, INCREMENTS,
AND ALLOWANCES.**

THE Public Service Board, in pursuance of the powers conferred by the *Public Service Act 1946*, hereby amends its Regulations as shown below:—

SIXTH SCHEDULE.

TEMPORARY EMPLOYEES.

Designations of Positions and Rates of Salaries.

Department and Designation of Position.	Yearly Rate of Salary.		Increments (Annual).
	Minimum.	Maximum.	
DEPARTMENT OF HEALTH.	£	£	
<i>Add—</i> MENTAL HYGIENE. Psychologist	592	644	2 of £26

D. D. PAINE, Chairman,
E. F. FITZGIBBON, Secretary.

Office of the Public Service Board,
Melbourne, 17th August, 1949.

No. 615.

Public Service Act 1946, Section 50.

**REGULATIONS—PART III.—SALARIES, INCREMENTS,
AND ALLOWANCES.**

THE Public Service Board, in pursuance of the powers conferred by the *Public Service Act 1946*, hereby amends its Regulations as shown below:—

SECOND SCHEDULE.

TECHNICAL AND GENERAL DIVISION.

Offices and Rates of Salaries.

Department and Office.	Yearly Rate of Salary.		Increments (Annual).
	Minimum.	Maximum.	
DEPARTMENT OF PREMIER.	£	£	
<i>Add—</i> STATE DEVELOPMENT DIVISION. Investigation Officer ..	449	501	2 of £36

D. D. PAINE, Chairman.
E. F. FITZGIBBON, Secretary.

Office of the Public Service Board,
Melbourne, 10th August, 1949.

No. 616.

Public Service Act 1946, Section 39.

**REGULATIONS—PART III.—SALARIES, INCREMENTS,
AND ALLOWANCES.**

THE Public Service Board, in pursuance of the powers conferred by the *Public Service Act 1946*, hereby amends its Regulations as shown below:—

FIRST SCHEDULE.

PROFESSIONAL DIVISION.

Offices and Rates of Salaries.

Office.	Yearly Rate of Salary.	
	Minimum.	Maximum.
DEPARTMENT OF HEALTH.	£	£
<i>Add—</i> MENTAL HYGIENE BRANCH. CLASS "C2." Psychologist	592	644

D. D. PAINE, Chairman.
E. F. FITZGIBBON, Secretary.

Office of the Public Service Board,
Melbourne, 17th August, 1949.

PUBLIC SERVICE (PUBLIC SERVICE BOARD) REGULATION 36A—RECLASSIFICATIONS.

THE Public Service Board has raised the classification of the under-mentioned offices as shown, and the Permanent Heads of the Departments have recommended the officers named for appointment.

Office and Present Classification.	Revised Classification.	Duties.	Qualifications.	Officer Recommended for Appointment.		
				Name.	Classification.	Date of Classification.

ADMINISTRATIVE DIVISION.

DEPARTMENT OF CHIEF SECRETARY.

Immigration Branch.

Clerk, Class "C" (2 positions)	Class "C1" (2 positions)	To be responsible for the collection and remittance of passage payments, to control accounting procedures in connexion with accommodation charges, baggage distribution and freight rebates, and to control issue and inventories of stores and fittings to accommodation centres	To be a qualified accountant; to have a sound knowledge of the General Regulations respecting Public Accounts, to be familiar with Commonwealth Government methods of accounting, and experienced in shipping and customs procedure in connexion with receipt and distribution of overseas baggage; to have a good knowledge of financial responsibilities consequent upon the operation of the migration agreements	Stack, T. L. . .	Clerk, 2nd Subdivision, Class "C"	29.10.48
		To assist generally in the administration of the Branch, and in particular to supervise the investigation and recommendation of nominations and the organization of ship reception arrangements, to control correspondence and to investigate and report upon special immigration propositions of employers and others	To have good organizing and administrative ability, experience in correspondence work, and ability to control staff	Cummane, W. P.	Clerk, 3rd Subdivision, Class "C"	1.2.48

DEPARTMENT OF TREASURER.

Clerk, Class "C2" (2 positions)	Class "B" (2 positions)	To prepare supply bills and warrants for expenditure thereunder, relieve senior officers in the Branch, and assist the Director of Finance in the preparation of the budget and annual estimates of expenditure	To possess a detailed knowledge of the Treasury system of accounts and requirements in connexion with estimates of revenue and expenditure, supply schedules, and the warrant system; to be a qualified accountant	Molan, J. L. . .	Clerk, 3rd Subdivision, Class "C2"	5.10.47
		To keep capital and interest accounts of loan transactions and the Agent-General's Ledger; to be responsible for the preparation of budget papers and public debt and other statements for the Treasurer's Annual Statement, and statements for Loan Council and Commonwealth Treasury purposes; to perform special duties as required by the Accountant	To possess a thorough knowledge of the financial agreement between the Commonwealth and the States, and to be conversant with the Treasury system of accounts, estimates of revenue and expenditure, Agent-General's accounts and loan transactions; to be a qualified accountant	Cole, C. S. . .	Clerk, 3rd Subdivision, Class "C2"	5.10.47

DEPARTMENT OF LABOUR.

Clerk, Class "C2" (2 positions)	Class "B" (2 positions)	To act as Officer in Charge of the Complaints, Permits, and Prosecutions Branch	To possess a thorough knowledge of the Acts, Regulations, and Determinations administered in the Department; to have had experience in dealing with complaints and breaches of those laws, in preparing cases for hearing in Courts of Petty Sessions and the Industrial Appeals Court, and in the control of staff	Parr, G. E. . .	Clerk, 3rd Subdivision, Class "C2"	13.10.48
---------------------------------------	----------------------------	---	---	-----------------	--	----------

PUBLIC SERVICE (PUBLIC SERVICE BOARD) REGULATION 36A—RECLASSIFICATIONS—continued.

Office and Present Classification.	Revised Classification.	Duties.	Qualifications.	Officer Recommended for Appointment.		
				Name.	Classification.	Date of Classification.
DEPARTMENT OF LABOUR—continued.						
Clerk, Class "C2" (2 positions) —continued	Class "B" (2 positions) —continued	To act as Officer in Charge of the Wages Board Branch	To possess a thorough knowledge of the various Acts, Regulations, and Determinations administered in the Department, and of Federal Awards and Regulations so far as they affect the functions of Wages Boards; to have had extensive experience as a Secretary of Wages Boards, and in drafting Determinations thereof	Ryan, J. W.	Clerk, 3rd Subdivision, Class "C2"	20.3.49
DEPARTMENT OF WATER SUPPLY.						
Clerk, Class "C2"	Class "B"	To have charge of the Records Branch	To have a thorough knowledge of filing systems, all phases of the Commission's activities, and the provisions of the Water Acts, and ability to organize, control, and direct staff	Blake, H. C.	Clerk, 3rd Subdivision, Class "C2"	5.10.47
PROFESSIONAL DIVISION.						
DEPARTMENT OF HEALTH.						
MENTAL HYGIENE BRANCH.						
<i>Travancore Clinic.</i>						
Psychologist, Class "B1" (2 positions)	Senior Psychologist, Class "A" (£850) (2 positions)	To administer and interpret a wide range of psychological examinations, and to make reports and recommendations to the Psychiatrist; to make investigations in questions of mental health; to instruct students and assist in training of psychologists in the clinical work	A University Degree, with approved qualifications in Psychology; extensive experience in clinical psychology, and a thorough knowledge of and experience in dealing with agencies engaged in the care of the mentally ill or mentally defective.	Cathcart, K. M.	Psychologist, 3rd Subdivision, Class "B1"	28.11.48
<i>Children's Court Clinic.</i>						
		To carry out Psychological Examinations and to assist in treatments under direction of Clinic Psychiatrist	A University Degree, including Psychology. Experience in psychological testing of delinquent children and in vocational guidance work	Meadows, A.	Psychologist, 3rd Subdivision, Class "B1"	28.11.48
DEPARTMENT OF WATER SUPPLY.						
Executive Engineer, Grade V, Class "B"	Grade IV., Class "B1"	To organize, under the general direction of the Chief Construction Engineer, the acquisition and maintenance of large modern earth-moving and other mechanical plant used on construction of major works	To possess a Degree in Civil Engineering and to have had specialized experience in the construction of large engineering works, including the operation and maintenance of large earth-moving and other mechanical plant	Evans, C. A. R.	Executive Engineer, Grade V., 3rd Subdivision, Class "B"	9.4.49
Assistant Research Officer, Class "D"	Assistant Engineer, Class "C"	To conduct experiments in the determination of properties of soils and materials for construction; to investigate foundation conditions for engineering works and other hydraulic structures	To possess a Degree or Technical School Diploma in Civil Engineering, and to have had experience in field and laboratory practice in the application of the science of Soil Mechanics to Civil Engineering Works	Thompson, J. T.	Assistant Research Officer, 7th Subdivision, Class "D"	8.8.49

Appeals against such recommendations should be lodged with the Secretary to the Public Service Board not later than Saturday, the 3rd September, 1949.

Office of the Public Service Board,
Melbourne, 23rd August, 1949.

By order,
E. F. FITZGIBBON,
Secretary.

Teaching Service Act 1946.

TEACHING SERVICE (CLASSIFICATION, SALARIES, AND ALLOWANCES) REGULATIONS.

THE Teachers Tribunal, in pursuance of the powers conferred by the *Teaching Service Act 1946*, hereby amends Part V. of the Teaching Service (Classification, Salaries, and Allowances) Regulations made on the tenth day of December, 1948, and published in the *Government Gazette* of the sixteenth day of December, 1948, in the manner following, that is to say:—

PART V.

To clause 22 the following expressions shall be added:—

1. Under the sub-heading “(a) Inspectors” add the following:—

Staff Inspector, (Primary)—									
Male	1,100	—	—	—	—	—	—	—	—
Female	920	—	—	—	—	—	—	—	—

2. Under the sub-heading “(b) Principals and Staffs of Teachers Colleges” add the following:—

Principal, Geelong Teachers College—									
Male	850	875	900	925	950	975	1,000	1,025	—
Female	700	720	740	760	780	800	820	840	—

3. Under the sub-heading “(c) Other Positions” add the following:—

Chief Librarian Melbourne Teachers College—									
Male	675	700	725	750	775	800	—	—	—
Female	560	580	600	620	640	660	—	—	—
Supervisor of Handwork—									
Male	600	625	650	675	700	—	—	—	—
Female	500	520	540	560	580	—	—	—	—

W. H. ELLWOOD, Chairman.
E. V. B. HIGGINS, Acting Secretary.

Office of the Teachers Tribunal,
Melbourne, S.E.1,
15th August, 1949.

Teaching Service Act 1946.

TEACHING SERVICE (CLASSIFICATION, SALARIES AND ALLOWANCES) REGULATIONS.

THE Teachers Tribunal, in pursuance of the powers conferred by the *Teaching Service Act 1946*, hereby amends Part X. of the Teaching Service (Classification, Salaries and Allowances) Regulations, made on the tenth day of December, 1948, and published in the *Government Gazette* of the sixteenth day of December, 1948, in the manner following, that is to say:—

PART X.

Rescind the first paragraph of sub-clause 38 (a) and substitute therefor the following:—

“38. (a) Permanent assistants (exclusive of lecturers) on the staffs of teachers’ colleges and permanent assistants in training schools who are engaged in the training of students, and permanent teachers in charge of rural training schools, shall be paid allowances of £30 a year.

(To take effect from and including the 7th August, 1949.)

W. H. ELLWOOD, Chairman.
E. V. B. HIGGINS, Acting Secretary.

Office of the Teachers Tribunal,
Melbourne, 15th August, 1949.

Teaching Service Act 1946.

TEACHING SERVICE (TEACHERS TRIBUNAL) REGULATIONS.

THE Teachers Tribunal, in pursuance of the powers conferred by the *Teaching Service Act 1946*, hereby amends Regulation 20 of the Teaching Service (Teachers Tribunal) Regulations made on the twenty-ninth day of October, 1946, and published in the *Government Gazette* of the thirtieth day of October, 1946, in the manner following, that is to say:—

Rescind the whole of Regulation 20, and substitute therefor the following:—

REGULATION 20.

Relative Numbers of Positions for Teachers in Each Class of the Secondary Schools Division.

1. The relative numbers of positions for teachers in each class of the Secondary Schools Division from 1st January, 1950, shall be as follows:—

Class.	Males.	Females.
Special	10	3
I.	24	17
II.	87	65
III.	200	161
IV. and V.	497	593

W. H. ELLWOOD, Chairman.

E. V. B. HIGGINS, Acting Secretary.

Office of the Teachers Tribunal,
Melbourne, 18th August, 1949.

Teaching Service Act 1946.

TEACHING SERVICE (TEACHERS TRIBUNAL) REGULATIONS.

THE Teachers Tribunal, in pursuance of the powers conferred by the *Teaching Service Act 1946*, hereby amends Regulation 22 of the Teaching Service (Teachers Tribunal) Regulations made on the twenty-ninth day of October, 1946, and published in the *Government Gazette* of the thirtieth day of October, 1946, in the manner following, that is to say:—

Rescind the whole of Regulation 22, and substitute therefor the following:—

REGULATION 22.

Relative Numbers of Positions for Teachers in Each Class of the Technical Schools Division.

1. The relative numbers of positions for teachers in each class of the Technical Schools Division from 1st January, 1950, shall be as follows:—

Class.	Males.	Females.
Special	13	1
I.	29	4
II.	68	9
III.	223	36
IV. and V.	333	114

W. H. ELLWOOD, Chairman.

E. V. B. HIGGINS, Acting Secretary.

Office of the Teachers Tribunal,
Melbourne, 18th August, 1949.

PRIVATE ADVERTISEMENTS.

NOTICE is hereby given that Mortlake Golf Club has applied for a lease under section 125 of the *Land Act 1928* for a term of twenty years over an area of approximately 45 acres in the Town of Mortlake as a site for amusement and recreation (golf course). 9682

DIOCESAN SYNOD.

NOTICE is hereby given that the Archbishop of Melbourne has convened the Synod of the Church of England within the Diocese of Melbourne, Victoria, for Monday, the 3rd day of October next, at half-past Seven o'clock in the evening, at the Chapter House, Cathedral Buildings, Melbourne.

R. C. WARDLE,
Registrar of the Diocese of Melbourne.
9794

CITY OF HORSHAM.

By-LAW No. 33.

A By-law of the City of Horsham, made under section 197 of the *Local Government Act 1946*, and numbered 33, for purposes of—

- (a) Prohibiting or regulating the use of private property situate at the junction of streets or roads for the growing of trees, shrubs, or hedges abutting on any such street or road or within 10 feet therefrom.
- (b) Requiring the removal or lopping of trees, shrubs, or hedges (whether planted before or after the commencement of the *Local Government Act 1946*) from or on any private property so situate, where such trees, shrubs, or hedges abut on or are within 10 feet of such street or road.
- (c) Requiring the reduction to a height not exceeding 3 ft. 6 in. of any portion of a fence within 10 feet of the junction of any streets or roads.
- (d) Authorizing the Council of the said City at the expense of the owner (the amount of which expense may be recovered by the Council in a Court of Petty Sessions as a civil debt recoverable summarily):—

1. To remove or lop trees, shrubs, or hedges growing or being on private property so situate which are not removed or lopped as required by or under this By-law.

2. To reduce in height any portion of a fence which is not reduced in height as required by or under this By-law.

IN pursuance of the powers conferred by the *Local Government Act 1946* and every other power it thereunto enabling, the Mayor, and Councillors, and Citizens of the City of Horsham, order as follows:—

1. No person shall use any portion of any private property situate at the junction of any streets or roads which abuts on or is within 10 feet from any such street or road for the growing of trees, shrubs, or hedges, unless for a distance of 10 feet from such junction each part of any such tree, shrub, or hedge, be kept at a height not greater than 3 ft. 6 in.

2. The owner of any private property situate at the junction of any streets or roads upon which private property trees, shrubs, or hedges are growing abutting on or within 10 feet from such streets or roads shall, if such trees, shrubs, or hedges be a greater height than 3 ft. 6 in., upon notice, in writing, under the hand of the Town Clerk of the said City, and within the time therein specified, remove or lop or cause to be removed or lopped all trees, shrubs, or hedges (whether planted before or after the commencement of the *Local Government Act 1946*) to such extent, as may be necessary to bring such trees, shrubs, or hedges into conformity with the requirements of the preceding clause hereof.

3. The owner of any private property situate at the junction of any streets or roads upon which private property there is a fence within 10 feet from the junction of such streets or roads shall, if such fence be of greater height than 3 ft. 6 in., upon notice, in writing, under the hand of the Town Clerk of the said City, and within the time therein specified, cause to be reduced to a height not exceeding 3 ft. 6 in. any portion of such fence within 10 feet of the junction of such streets or roads.

4. Upon default being made by the owner of private property situate at the junction of any streets or roads in complying with the terms of any notice under this By-law, the said Council, may, by its engineer or other authorized officer, enter upon such private property with a sufficient number of workmen and may remove or lop any trees, shrubs, or hedges growing or being thereon

which have not been removed or lopped as required by the notice, or reduce in height any portion of a fence which has not been reduced in height as required by the notice, and the expenses incurred by the said Council in so doing shall be forthwith paid by the owner of such property to the said Council, and in default of such payment may be recovered by the said Council in a Court of Petty Sessions as a civil debt recoverable summarily.

5. This By-law shall apply to and have operation throughout the whole of the municipal district of the City of Horsham.

Resolution for passing this By-law agreed to by the Council the 5th day of July, 1949, and confirmed the 2nd day of August, 1949.

The common seal of the Mayor, Councillors, and Citizens of the City of Horsham was hereto affixed this 19th day of August, 1949, in the presence of—

(SEAL) W. R. LAWRENCE, Mayor.
W. J. MORSON, Councillor.
A. J. WATTS, Town Clerk.
9806

CITY OF NORTHCOTE.

By-LAW No. 119.

NOTICE is hereby given that the Council has passed By-law No. 119, and that such By-law was approved by the Governor in Council on the 26th day of July, 1949.

The By-law provides an additional area on the east side of Station-street between Darebin-street and the State School, within which land and buildings may be used for business purposes.

A full copy of the By-law may be seen at the Municipal Offices, Northcote.

9762 J. A. THOMSON, Town Clerk.

TOWN OF ARARAT.

NOTICE OF INTENTION TO BORROW THE SUM OF £20,000 FOR PERMANENT WORKS AND UNDERTAKINGS.

NOTICE is given that it is the intention of the Council to borrow, on the credit of the Mayor, Councillors, and Burgesses of the Town of Ararat, the sum of £20,000, such sum to be raised by the issue of debentures in accordance with the *Local Government Act 1946*.

1. It is proposed that the rate of interest shall not exceed £3 5s. per cent.

2. That the moneys borrowed, together with interest due from time to time, shall be repayable in twenty half-yearly instalments, to be paid on the 1st day of May and the 1st day of November in each year, the first payment to be made on the 1st day of May, 1950.

3. The above instalments will be paid at the English, Scottish, and Australian Bank Ltd., Melbourne, or the Council's bankers for the time being in the City of Melbourne.

4. The loan shall be for the following purposes:—

Construction of high tension electric supply line to Great Western—£7,000.

Purchase of plant—£1,350.

Making and sealing Churchill-avenue and Tobin-street—£4,650.

Sealing various roads—£7,000.

Plans, and specifications, and an estimate of costs are available for inspection at the Town Hall, Ararat, during office hours.

9811 C. C. MURRAY, Town Clerk.

BOROUGH OF PORT FAIRY.

NOTICE is hereby given that the owner of any dog which is found in Sackville-street, and Bank-street from Sackville-street to the Princes Highway (which area is specified by the Council as a shopping area), and which is not under the effective control of some person by means of a chain or cord or leash shall be liable for a first offence to a penalty of not more than Two pounds, and any dog so found may be seized by the police or proper officer of the Council and dealt with under the provisions of section 4 of the *Dog Act 1936*, as amended by section 2 of the *Dog Act 1939*.

9775 G. J. MACKLEY, Town Clerk.

BOROUGH OF PORT FAIRY.

LOAN No. 12.

Notice of Intention to Borrow Money for Permanent Works and Undertakings.

NOTICE is hereby given that the Council of the Borough of Port Fairy proposes to borrow, on the credit of the Mayor, Councillors, and Burgesses of the said Borough, the sum of One thousand two hundred pounds (£1,200) by the issue of debentures, in accordance with the provisions of the *Local Government Act 1946*.

1. The rate of interest shall not exceed Three pounds five shillings per centum per annum.

2. The moneys borrowed shall be repayable at the Melbourne office of the Council's bankers for the time being each half-year during the currency of the loan, which is fifteen years.

3. The loan is to be applied to the following purposes:—
Purchase of tar sprayer and weighbridge; road and footpath construction; foreshore improvements and joint works.

4. Estimate of the cost and specifications of the equipment and works may be inspected at the Town Hall.

Dated this 22nd day of July, 1949.

9765

G. J. MACKLEY, Town Clerk.

SHIRE OF BANNOCKBURN.

BY-LAW No. 15.

A By-law of the Shire of Bannockburn, made under the *Local Government Act 1946* and every other Act or power enabling it in that behalf, and numbered 15, for the purpose of adopting Division 9 of Part XIX. of the said Act.

THE President, Councillors, and Ratepayers of the Shire of Bannockburn, in pursuance of the powers conferred by the *Local Government Act 1946* and by every other Act or power enabling it in that behalf, doth hereby make the By-law, and order as follows:—

Division 9 of Part XIX. of the *Local Government Act 1946* shall extend and apply to the whole of the Shire of Bannockburn.

Resolution for passing this By-law agreed to by the Council this 12th day of July, 1949.

Confirmed this 9th day of August, 1949.

The common seal of the President, Councillors, and Ratepayers of the Shire of Bannockburn was hereunto affixed this 9th day of August, 1949, in the presence of—

(SEAL) T. D. MOODIE, President.
9760 S. D. GILLET, Councillor.
M. B. WATSON, Acting Shire Secretary.

SHIRE OF BELFAST.

NOTICE is hereby given that Thomas Frederick McDonald has been appointed Poundkeeper at Kirk-stall Pound, as from 15th August, 1949.

J. RYAN, Shire Secretary. 9763
Shire Office, Port Fairy.

SHIRE OF KORUMBURRA.

BY-LAW No. 28.

A By-law of the Shire of Korumburra, made under the *Local Government Act 1946* and the Uniform Building Regulations Victoria, and numbered 28, for determining, applying, dispensing with, or regulating such matters or things as are left to be determined, applied, dispensed with, or regulated by the Council of the Shire of Korumburra under the Uniform Building Regulations Victoria.

IN pursuance of the powers conferred by the *Local Government Act 1946* and the Uniform Building Regulations Victoria and of any and every other power thereunto enabling, the President, Councillors, and Ratepayers of the Shire of Korumburra order as follows:—

1. That By-laws numbered 16, 17, and 20 of the Shire of Korumburra are hereby repealed.

Brick Areas.

2. The areas set out and described in the First Schedule hereto are hereby prescribed as brick areas, and no person shall in any such area construct or cause to be constructed any building the external walls of which are of material other than brick, stone, or concrete.

Limit of Two Stories.

3. The areas set out and described in the Second Schedule hereto are hereby prescribed as areas in which buildings of Classes II. and III. occupancy shall not be constructed to contain more than two stories, including the ground story, and no person shall in any such area construct a building of Class II. and III. occupancy to contain more than two stories, including the ground story.

Minimum Area, Depth, Width of Frontage, and Minimum Distance of Outer Walls from Boundaries.

4. The minimum area, depth, width of frontage, and minimum distance of outer walls from boundaries specified in column 3 of Table 803 of the Uniform Building Regulations Victoria (hereinafter called the Regulations) are hereby adopted as the minimum area, depth, width of frontage, and minimum distance of outer walls from boundaries for land on which a building shall be constructed throughout the whole of the area proclaimed as set out in the Second Schedule hereto.

Sites Below Minimum Requirements.

5. Notwithstanding anything contained in the Regulations, any person may—

(a) construct a building of Class I. occupancy on land a lesser area, depth, or width of frontage, or at a lesser distance from the boundaries than those specified in column 3 of Table 803 of the Regulations; or

(b) construct a building of Class III., V., VI., VII., or VIII. occupancy, or a building to which a building of Class IV. occupancy is attached on land having an area, depth, or width frontage less than that prescribed in clause 809 of the Regulations, in any case where on the date of the commencement of the Regulations such land existed as a separate allotment and has not since been reduced in area, or is shown on any plan of subdivision approved by the Council and lodged in the Office of Titles.

Rear Access.

6. In the case of a building on any land forming part of a subdivision approved by the Council and lodged with the Office of Titles prior to the date of commencement of the Regulations, the requirements of clause 811 of the Regulations are hereby dispensed with.

FIRST SCHEDULE.

Such portions of the municipality as are included in the areas described hereunder, namely:—

Crown allotments 1 to 29 inclusive of section 2, Crown allotments 1 to 24 inclusive and 29 to 32 inclusive, all of section 2 of the Township of Korumburra, Parish of Korumburra, County of Mornington; and Crown allotments 18A and 18B inclusive of section 4, and lots 1, 2, and 3 on lodged plan 4145, lots 19A to 19F inclusive, and lot 20A on lodged plan 3464, Township of Korumburra, Parish of Korumburra, County of Buln Buln.

SECOND SCHEDULE.

Such portions of the municipality as are included in the areas described hereunder, namely:—

(a) The whole of the Korumburra Riding of the Shire of Korumburra as is now or as may hereafter be defined.

(b) the area known as the Township of Poowong, being all that land included in the Township of Poowong, Parish of Jeetho, County of Mornington; also Crown allotments 20B, 20C, 20D, 21, that portion of Crown allotments 20 and 1 of section A, Parish of Jeetho, County of Mornington, which lie north of a line bearing 90 deg. from a point on the western boundary of Crown allotment 20, bearing south 0 deg. 4 min. west 3,214 links from the south-western corner of Crown allotment 20B; also that portion of Crown allotment 6, Parish of Poowong, County of Mornington, which lies south of a line bearing 90 deg., commencing from a point on the western boundary of the said Crown allotment 6, bearing northerly 2,000 links from the south-western corner of Crown allotment 6; also the whole of Crown allotment 7 in the Parish of Poowong, County of Mornington.

- (c) The whole of the Township of Nyora, Parish of Lang Lang East, County of Mornington.
- (d) The area known as the Township of Loch, being that portion of Crown allotment 30, Parish of Jeetho West, County of Mornington, which lies south of the South-eastern Railway Line reserve, and lots 1 to 9 inclusive on plan lodged in the Office of Titles, and numbered 3948, being part of Crown allotment 29, Parish of Jeetho West, County of Mornington.

The resolution for making and passing this By-law was agreed to by the Council at its meeting held on the 15th day of June, 1949, and confirmed on the 20th day of July, 1949.

The common seal of the President, Councillors, and Ratepayers of the Shire of Korumburra was hereunto affixed, in the presence of—

(SEAL) A. McDOUGALL, President.
S. A. GREAVES, Councillor.
N. M. SIMMONS, Shire Secretary.

Approved by the Governor in Council, 9th August, 1949.
—A. MAHLSTEDT, Clerk of the Executive Council. 9771

SHIRE OF ROSEDALE.

NOTICE is hereby given that the Council of the Shire of Rosedale has made application to the Minister of Water Supply for the constitution of a River Improvement District, under the jurisdiction and control of a River Improvement Trust, embracing the existing Morwell, Rosedale, and Traralgon Drainage Areas on the Latrobe River.

Copies of the general plan and description of the proposed works have been deposited for inspection at the Shire Offices at Rosedale, Traralgon, and Morwell.

9625 W. O. MAGUIRE, Shire Secretary.

SHIRE OF UPPER YARRA.

NOTICE is hereby given that Senior Constable Allan Peach has been appointed as Inspector of Nuisances and Prosecuting Officer for all Ridings, and Senior Constable Thomas Gerald Morter as Inspector of Nuisances, and Prosecuting Officer for the East Riding of the Shire of Upper Yarra.

9764 MORTON A. THOMAS, Shire Secretary.

NOTICE is hereby given that the partnership heretofore subsisting between Laurie Fryar and Jack Fryar, both of Serviceton, in the State of Victoria, storekeepers, carrying on business as storekeepers at Serviceton aforesaid, under the name of Fryar Bros., Serviceton, has been dissolved by mutual consent as from the 30th day of June, 1949. The business will be carried on as formerly at Serviceton, in the name of Fryar Bros., Serviceton, by or on behalf of the said Laurie Fryar, who will receive all debts and pay all accounts of the late partnership.

Dated at Serviceton, the 1st day of August, 1949.

9767 L. FRYAR.
J. FRYAR.

NOTICE is hereby given that the partnership heretofore subsisting between Martin Peirson-Jones, of No. 2 Anderson-street, Caulfield, manufacturer, and Eric Dudley Dalton, of No. 188A Riversdale-road, Camberwell, manufacturer, carrying on business as manufacturers at No. 783 Sydney-road, Brunswick, under the style or firm of Dalson Products, has been dissolved as from the 1st day of July, 1949, so far as concerns the said Martin Peirson-Jones, who retires from the said firm.

M. PEIRSON-JONES, Retiring Partner.
ERIC D. DALTON, Continuing Partner.

Dated the 19th day of August, 1949.

Reginald Wadham, of Law Court Chambers, 191 Queen-street, Melbourne, solicitor for the said Martin Peirson-Jones. 9796

NOTICE OF DISSOLUTION OF PARTNERSHIP.

NOTICE is hereby given that the partnership heretofore subsisting between Basil David and James Baker, carrying on business at 623 Collins-street, Melbourne, and rear of Racecourse Hotel, Ascot Vale-road, Flemington, under the name of Straight Six Motor Company, has been dissolved as from the 12th day of August, 1949.

Dated the 12th day of August, 1949.

BASIL DAVID.
Alan Wainwright and Co., solicitors, 390 Little Collins-street, Melbourne. 9848

NOTICE is hereby given that the partnership heretofore subsisting between the undersigned Frederick John Cottrell and Thomas Leo McKenzie, carrying on business as garage proprietors at 153 Station-street, Fairfield, under the name of Fiddymot Motors, has been dissolved by mutual consent as from the 8th day of August, 1949. All debts due to and owing by the said firm will be received and paid by Frederick John Cottrell and John Colin Boyd, who will continue to carry on the business in partnership at the same place and under the same name.

Dated at Melbourne, this 8th day of August, 1949.

F. COTTRELL.
T. MCKENZIE.
JOHN C. BOYD.

Witness—K. H. MARTYN.

W. E. C. Treyvaud and Co., solicitors, 422 Collins-street, Melbourne. 9788

PARTNERSHIP ACT 1928.

NOTICE is hereby given that the partnership heretofore subsisting between the undersigned Louis Raphael and Charles Lindsay Brimacombe, carrying on business as tailors and mercers at Lava-street, Warrnambool, under the name "Brimacombe and Raphael," has been dissolved by mutual consent as from the 1st day of July, 1949.

All debts due to and owing by the said late firm shall be received and paid by the said Louis Raphael, who will continue to carry on the business at the same place.

Dated the 9th day of August, 1949.

C. L. BRIMACOMBE.
LOUIS RAPHAEL.

Witness—J. B. DWYER, solicitor, Warrnambool. 9783

NOTICE is hereby given that the partnership heretofore subsisting between the undersigned Richard Samuel Stephen Palmer and Thomas Edward Bromell, carrying on business as signwriters at 207 Queen-street, Melbourne, under the name of Palm Signs, has been dissolved by mutual consent as from the 4th day of August, 1949. All debts due to and owing by the said late firm will be received and paid by the said Richard Samuel Stephen Palmer, who will continue to carry on the said business at the same place.

Dated this 16th day of August, 1949.

R. S. PALMER.
T. BROMELL.

Vroland, Pearce, and Webster, solicitors, 430 Little Collins-street, Melbourne. 9847

NOTICE is hereby given that the partnership heretofore subsisting between Ross Abbott Hayes and Flora Jessie Rowe, carrying on business as a gift shop at 51 Toorak-road, South Yarra, under the name of "This and That," has been dissolved by mutual consent as from the 30th day of June, 1949. All debts due to and owing by the said late firm will be received and paid by the said Flora Jessie Rowe, who will continue to carry on the business at the same place.

Dated at Melbourne, the 23rd day of August, 1949.

F. J. ROWE.
R. HAYES.

Louis S. Lazarus, 379 Collins-street, Melbourne, solicitor. 9835

NOTICE is hereby given that the partnership heretofore subsisting between the undersigned Hartley Maxwell McMahan and Ian James Kennedy, carrying on business as manufacturing chemists at 177 Queen's-parade, Clifton Hill, under the name "Epsilon Products," has been dissolved by mutual consent as from the 16th day of August, 1949. All debts due to and owing by the said late firm will be received and paid by Ian James Kennedy, who will continue to carry on the business at 3 Pleasant-road, Hawthorn.

Dated at Melbourne the 16th day of August, 1949.

IAN JAMES KENNEDY.
HARTLEY MAXWELL McMAHEN.

Witness—ROY SIGMONT, solicitor, Melbourne. 9849

NOTICE is hereby given that the partnership heretofore subsisting between Hector Andrews, Nick Kandilotis, and Nick Valendis, under the firm name of Athenaeum Candy Company, carried on at 764 Sydney-road, Brunswick, is dissolved as from the 22nd day of August, 1949, by the retirement of the said Nick Valendis. The said Hector Andrews and Nick Kandilotis will continue to carry on the business, under the same name and at the same address, and will pay all obligations of the said partnership, and are entitled to receive all moneys due to the said partnership.

H. ANDREWS.
N. VALENDIS.
N. KANDILOTIS.

Witness to signatures of all parties—L. R. STILLMAN, solicitor, Melbourne.

Abbott, Stillman, and Wilson, solicitors, 422 Little Collins-street, Melbourne. 9825

NOTICE is hereby given that the partnership heretofore subsisting between the undersigned, Moses Kaufman and Israel Izydor Zylberszpic, carrying on business as photographers, at 70 Douglas-parade, Williamstown, under the name of Park Lane Studios, has been dissolved by mutual consent as from the 1st day of August, 1949. All debts due to and owing by the said late firm will be received and paid by Israel Izydor Zylberszpic, who will continue to carry on the business at the same place.

Dated at Melbourne the 8th day of August, 1949.

I. I. ZYLBERSZPIC.
M. KAUFMAN.

Witness—J. OKNO.

J. Okno, LL.B., solicitor, 100 Queen-street, Melbourne. 9824

IN THE MATTER OF THE METROPOLITAN GAS COMPANY'S ACTS 1878, 1920, AND 1942.

WE, Lionel Findon Miller, Sir Harold Daniel Luxton, and Leslie Gordon Francis Leckie, all of the City of Melbourne, gentlemen, do severally, solemnly, and sincerely declare as follows:—

First, we, the said Lionel Findon Miller and Sir Harold Daniel Luxton for ourselves, say that we are two of the directors of The Metropolitan Gas Company.

And next, I, the said Leslie Gordon Francis Leckie for myself, say that I am the secretary of the said company.

And next, we, the said Lionel Findon Miller, Sir Harold Daniel Luxton, and Leslie Gordon Francis Leckie, say:—

That the nominal capital of the said company as on the 30th day of June, 1949, was Two million pounds. The amount paid up thereon as on the 30th day of June, 1949, was One million six hundred and sixty-two thousand five hundred pounds, divided into 332,500 shares of Five pounds each.

That the amount which the company is legally authorized to borrow on debentures is the sum of Three million and sixty-three thousand seven hundred and thirty-seven pounds.

That the total amount raised by the company on debentures and unpaid does not exceed the amount which the said company is, by the *Metropolitan Gas Company's Acts* 1878, 1920, and 1942, authorized to borrow.

That none of the debentures, bonds, and mortgages granted by the City of Melbourne Gas and Coke Company, The Collingwood, Fitzroy Gas and Coke Company, and The South Melbourne Gas Company, referred to in the 55th section of the principal Act, are now outstanding, the same respectively having been paid off.

And we severally make this solemn declaration, conscientiously believing the same to be true, and by virtue of the provisions of an Act of the Parliament of Victoria rendering persons making a false declaration punishable for wilful and corrupt perjury.

L. F. MILLER.

Declared by the said Lionel Findon Miller, at Melbourne aforesaid, this 19th day of August, 1949, before me—R. J. McARTHUR, Notary Public, Melbourne, Victoria.

HAROLD LUXTON.

Declared by the said Sir Harold Daniel Luxton, at Melbourne aforesaid, this 19th day of August, 1949, before me—R. J. McARTHUR, Notary Public, Melbourne, Victoria.

GORDON LECKIE.

Declared by the said Leslie Gordon Francis Leckie, at Melbourne aforesaid, this 19th day of August, 1949, before me—R. J. McARTHUR, Notary Public, Melbourne, Victoria. 9837

Companies Act 1938.

WAYNESFORD HALL PROPRIETARY LIMITED (IN VOLUNTARY LIQUIDATION).

COPY OF RESOLUTION OR AGREEMENT, PURSUANT TO SECTION 118.

AT a General Meeting of the members of Waynesford Hall Proprietary Limited, duly convened and held at Waynesford Hall, Yarralea-street, Alphington, on the 12th day of August, 1949, the following Special Resolution was duly passed:—

"That this company be wound up voluntarily."

Dated this 16th day of August, 1949.

9769

T. W. M. WRIGHT, Director.

The Companies Act 1938.

WAYNESFORD HALL PROPRIETARY LIMITED (IN VOLUNTARY LIQUIDATION).

NOTICE is hereby given that the above-named company, by Special Resolution, went into voluntary liquidation, and that I, Gilbert Jeffery, of 247 Collins-street, Melbourne, chartered accountant (Australia), have been appointed liquidator as from the 12th August, 1949. The creditors of the above-named company are required, on or before the 21st day of October, 1949, to send their names, addresses, and particulars of their debts and claims, and the names and addresses of their solicitors, if any, to the said Gilbert Jeffery, and, if so required by notice, in writing, from the said liquidator, or by his solicitor, to come in and prove the said debts or claims at such time and place as shall be specified in such notice, or in default thereof, they will be excluded from the benefit of any distribution made before such debts are proved.

Dated this 22nd day of August, 1949.

GILBERT JEFFERY, Liquidator.

Gilbert Jeffery, chartered accountant (Aust.), 247 Collins-street, Melbourne. 9829

Companies Act 1938.

COOKE PASTORAL COMPANY PROPRIETARY LIMITED.

COPY RESOLUTION OR AGREEMENT PURSUANT TO SECTION 118.

AT a General Meeting of the members of Cooke Pastoral Company Proprietary Limited, duly convened and held at 378 Queen's-parade, Clifton Hill on the 22nd day of August, 1949, the following Special Resolution was duly passed:—

"That this company be wound up voluntarily and that Albert Edward Aland, of 378 Queen's-parade, Clifton Hill, accountant, be and is hereby appointed liquidator for the purpose of such winding up."

Dated the 23rd day of August, 1949.

9850

A. E. ALAND, Liquidator.

No. of Company 21360.

Companies Act 1938.

WOODLANDS PASTORAL PROPRIETARY LIMITED.

COPY RESOLUTION OR AGREEMENT PURSUANT TO SECTION 118.

AT a General Meeting of the members of Woodlands Pastoral Proprietary Limited, duly convened and held at Yarram on the 17th day of August, 1949, the following Special Resolution was duly passed:—

"That the company be wound up voluntarily, and that the assets be distributed in specie instead of in money, and that Kenneth Mortimer Cox be appointed as liquidator."

Dated this 17th day of August, 1949.

9844

G. G. IRVING, Director.

Companies Act 1938.

BONAPARTE GULF COMPANY PROPRIETARY LIMITED.

AT an Extraordinary General Meeting of the members of the above-named company, duly convened and held at 29 Market-street, Melbourne, on the 19th day of August, 1949, the following Special Resolution was duly passed:—

"That the company be wound up voluntarily, and that Leo Brand Tomlins, of 360 Collins-street, Melbourne, chartered accountant (Aust.), be appointed liquidator for the purpose of such winding up."

Dated this 19th day of August, 1949.

J. FITZGERALD, Director.

Arthur Robinson and Co., 360 Collins-street, Melbourne, solicitors to the above-named company. 9842

THE TETFORD TRADING COMPANY PROPRIETARY LIMITED (IN VOLUNTARY LIQUIDATION).

NOTICE is hereby given that the creditors of the above-named company, which is being voluntarily wound up, are required on or before the 14th day of September, 1949, being the day for that purpose fixed by me, the undersigned, the liquidator of the company, to send their names and addresses and the particulars of their debts or claims to the undersigned, and, if so required by notice, in writing, from me, are to come in and prove their said debts and claims at such time and place as shall be specified in such notice, or in default thereof they will be excluded from the benefit of any distribution made before such debts are proved.

Dated this 23rd day of August, 1949.

J. J. WOODWARD, 352 Collins-street, Melbourne, liquidator. 9828

In the matter of LUCIEN LOVELINESS PROPRIETARY LIMITED.

AT an Extraordinary General Meeting of the members of the above-named company, duly convened and held at 343 Little Collins-street, Melbourne, on the 19th day of August, 1949, the following Special Resolution was duly passed:—

"That the company be wound up voluntarily, and that Thomas Edward Kempster, of 343 Little Collins-street, Melbourne, be and is hereby appointed liquidator for the purpose of such winding up."

L. M. GRANT, Chairman.

CREDITORS, next of kin, and all other persons having claims against the estate of Jessie Marion McNamara, late of 8 Bruce-street, Castlemaine, in Victoria, married woman, deceased (who died on 23rd March, 1949), are required to send particulars, in writing, of such claims to Patrick Joseph McNamara, the administrator of her estate, in care of the undersigned solicitors, on or before the 23rd day of October, 1949, after which date the said Patrick Joseph McNamara will distribute the assets of the deceased, having regard only to the claims of which he shall then have had notice.

LOVELL LANGSLOW & SON, solicitors, Castlemaine. 9773

CREDITORS, next of kin, and others having claims in respect of the estate of Annie Amelia Amezdroz, late of Roslyn-road, Belmont, Geelong, in the State of Victoria, widow, deceased (who died on the 23rd day of March, 1949), are to send particulars of their claims to James Gardiner, Allan Frier, Lillie Myrtle Matthewman, and The Ballarat Trustees, Executors, and Agency Company Limited, of Malop-street, Geelong, by the 28th day of October, 1949, after which date they and it will distribute the assets, having regard only to the claims of which they and it then have notice.

WHYTE, JUST, & MOORE, solicitors, 27 Malop-street, Geelong. 9777

CREDITORS, next of kin, and others having claims in respect of the estate of Annie Elizabeth Chapman, formerly of No. 5 Shannon-street, North Geelong, in the State of Victoria, but late of 14 Fuller-avenue, Glen Iris, in the said State, widow, deceased (who died on the 8th day of March, 1949), are to send particulars of their claims to The Ballarat Trustees, Executors, and Agency Company Limited, of Malop-street, Geelong, by the 28th day of October, 1949, after which date it will distribute the assets, having regard only to the claims of which it then has notice.

WHYTE, JUST, & MOORE, solicitors, 27 Malop-street, Geelong. 9778

RE FRANCIS EUGENE SIACCI, late of Lakes Entrance, in the State of Victoria, fisherman, DECEASED, intestate.

PURSUANT to the *Trustees Act 1928*, notice is hereby given that Eugene Luciano Siacchi, of Lakes Entrance aforesaid, fisherman (hereinafter called the administrator), the administrator of the estate of the said Francis Eugene Siacchi, deceased (who died on the 12th day of October, 1948), intends to convey or distribute the estate of the said deceased to or among the persons entitled thereto, and requires all persons or creditors interested to send to the administrator, care of the undersigned, on or before the 26th day of October, 1949, particulars of their claims against the said estate, and after the said 26th day of October, 1949, the administrator may convey or distribute the said estate to or among the persons entitled thereto, having regard only to the claims, whether formal or not, of which he shall then have had notice.

Dated the 22nd day of August, 1949.

BEST, HOOPER, RINTOUL, & SHALLARD, solicitors, 100 Queen-street, Melbourne. 9818

CATHERINE CURRIE, late of Lardner, spinster, DECEASED.

CREDITORS, next of kin, and all other persons having claims against the estate of the above-named Catherine Currie, deceased, are required to send particulars thereof to the undersigned solicitors for the executrices, Caroline Calfernie Currie and Rose Currie, both of Lardner aforesaid, gentlewomen, on or before the 1st day of November, 1949, after which date the said executrices will proceed to distribute the assets amongst the persons entitled thereto, having regard only to claims of which they shall then have had notice.

GRAY, FRIEND, & MOONIE, solicitors, Warragul. 9779

MARY BIRAM, late of Lillico, Warragul, married woman, DECEASED.

CREDITORS, next of kin, and all other persons having claims against the estate of the above-named Mary Biram, deceased, are required to send particulars thereof to the undersigned solicitors for the executor, Harold Edward Biram, of Warragul aforesaid, carrier, on or before the 1st day of November, 1949, after which date the said executor will proceed to distribute the assets amongst the persons entitled thereto, having regard only to claims of which he shall then have had notice.

GRAY, FRIEND, & MOONIE, solicitors, Warragul. 9780

NOTICE TO CLAIMANTS.

PURSUANT to the *Trustee Act 1928*, creditors, next of kin, and all other persons having claims in respect of the estate of Margaret Younger, late of "The Willows," Bacchus Marsh, in the State of Victoria, widow, deceased (who died on the 4th day of February, 1946, and letters of administration, with the will dated the 7th day of September, 1942, of whose estate was granted on the 2nd day of June, 1949, to the National Trustees, Executors, and Agency Company of Australasia Limited, of 95 Queen-street, Melbourne), are hereby required to send particulars, in writing, of such claims to the said National Trustees, Executors, and Agency Company of Australasia Limited, care of the undersigned, at their office at the address mentioned hereunder, on or before the 30th day of October, 1949, after which date the said trustee company will proceed to distribute the assets of the said deceased, having regard only to the claims of which it shall then have had notice, and it will not be liable to any person of whose claim it shall not have then received notice.

SLATER & GORDON, solicitors, 422 Collins-street, Melbourne. 9797

CREDITORS, next of kin, and others having claims in respect of the estate of Rose Evelyn Gay, formerly of "Longford," 123 Riversdale-road, Hawthorn, but late of Lynn Medical Convalescent Hospital, 11 Elgin-avenue, Armadale, in the State of Victoria, spinster, deceased (who died on the 11th of June, 1949), are to send particulars of their claims to the Equity Trustees, Executors, and Agency Company Limited, of 472 Bourke-street, Melbourne, by the 31st day of October, 1949, after which date it will distribute the assets, having regard only to the claims of which it has had notice.

Dated this 20th day of August, 1949.

MORGAN, FYFFE, AND MULKEARNS, Vaughan-House, 108 Queen-street, Melbourne, solicitors for the said company. 9798

CREDITORS, next of kin, and others having claims in respect of the estate of Amelia Maud West, late of 8 Bowden-street, Preston, in the State of Victoria, married woman, deceased, intestate (who died on the 25th day of March, 1949), are to send the particulars of their claims to The Equity Trustees, Executors, and Agency Company Limited, of 472 Bourke-street, Melbourne, by the 27th day of October, 1949, after which date it will distribute the assets, having regard only to the claims of which it then has notice.

W. B. & O. MCCUTCHEON, solicitors, 31 Queen-street, Melbourne. 9793

CREDITORS, next of kin, and all others having claims in respect of the estate of Mary Hunter Yeo, late of 3 Baxter-street, Toorak, married woman, deceased (who died on the 16th day of April, 1949), are to send particulars of their claims to the executor, Valentine Dimelow, of 422 Collins-street, Melbourne, solicitor, on or before the 26th day of October, 1949, after which date the executor will distribute the assets, having regard only to the claims of which he then has notice.

STEWART & DIMELow, solicitors, 422 Collins-street, Melbourne. 9813

Trustee Act 1928.

NOTICE TO CLAIMANTS.

PURSUANT to the *Trustee Act 1928*, creditors, next of kin, and all other persons having claims in respect of the estate of any deceased person named below are required to send particulars thereof to the legal personal representative or representatives at the address stated below, on or before the date stated, after which date the representative or representatives will distribute the assets, having regard only to the claims of which notice has been received:—

Anastasia Powell, late of 280 Ferrars-street, South Melbourne, married woman, deceased.—Claims to the executor, William Meskill Bourke, of 317 Collins-street, Melbourne, before 22nd October, 1949. W. M. Bourke, M.A., LL.B., 317 Collins-street, Melbourne. 9795

Dame Frances Isobel Clare Lyle (generally known as Clare Lyle), late of 225 Walsh-street, South Yarra, in Victoria, widow, deceased, who died on the 22nd day of May, 1949.—Claims to the executors, Thomas Ranken Lyle, of "Calala," Curlewis, in New South Wales, grazier, and Sir Edmund Francis Herring, K.C.M.G., of 220 Walsh-street, South Yarra aforesaid, Chief Justice of the Supreme Court of Victoria, care of the under-named solicitors, by the 25th day of October, 1949. Aitken, Walker, and Strachan, of 123 William-street, Melbourne, solicitors for the executors. 9826

Arthur William Bygrave, late of Willaura, in the State of Victoria, farmer, deceased died 29th November, 1947.—Claims to the executrix, May Stella Ivy Bygrave, of Willaura aforesaid, widow, care of Lucas and Mumme, solicitors, Tavistock House, 383 Little Flinders-street, Melbourne, by 31st October, 1949. 9836

Joseph Struthers Hunter, late of 27 Preston-street, Geelong West, night watchman, deceased, intestate, died 3rd July, 1949.—Claims to the applicant for letters of administration, William Struthers Hunter, of 27 Preston-street, Geelong West, engineer, care of Wighton and McDonald, solicitors, 53 Yarra-street, Geelong, by 26th October, 1949. 9776

CREDITORS, next of kin, and all others having claims in respect of the estate of Henrietta Carmichael, late of Hopetoun, in the State of Victoria, married woman, deceased (who died on the 20th day of February, 1949), are to send particulars of their claims to the executors, Esme Margaret Flora Carmichael and John Thomas Collins, care of the undersigned, on or before the 1st day of November, 1949, after which date they will distribute the assets, having regard only to the claims of which they then have notice.

D. J. COMMONS, solicitor, Hopetoun. 9815

CREDITORS, next of kin, and all others having claims in respect of the estate of Helena Harmer, late of Hopetoun, in the State of Victoria, married woman, deceased, intestate (who died on the 15th day of September, 1946), are to send particulars of their claims to the administrator, Sidney Roy Harmer, care of the undersigned, on or before the 1st day of November, 1949, after which date he will distribute the assets, having regard only to the claims of which he then has notice.

D. J. COMMONS, solicitor, Hopetoun. 9816

FREDERICK RAW, late of 71 Derby-street, Kew, gardener, DECEASED (who died on the 26th June, 1949).

CREDITORS, next of kin, and other persons having claims against the estate of the deceased are required to send particulars of same to the executrix, Ruth Ridgeway, care of the undersigned, on or before the 30th October, 1949, after which date she will distribute the assets, having regard only to the claims of which she then has notice.

GERALD E. DELANY, solicitor, 63 Campbell-street, Swan Hill. 9812

MICHAEL JOSEPH REILLY, late of Nilma North, farmer, DECEASED.

CREDITORS, next of kin, and all other persons having claims against the estate of the above-named Michael Joseph Reilly, deceased, are required to send particulars thereof to the undersigned solicitors for the executrices, Ella Maud Reilly, of Nilma North aforesaid, widow, and Ella Marjory Nolan, of Heyfield, married woman, on or before the 1st day of November, 1949, after which date the said executrices will proceed to distribute the assets amongst the persons entitled thereto, having regard only to claims of which they shall then have had notice.

GRAY, FRIEND, & MOONIE, solicitors, Warragul. 9782

ROWLAND HILL, late of Warragul, nurseryman and cattle breeder, DECEASED.

CREDITORS, next of kin, and all other persons having claims against the estate of the above-named Rowland Hill, deceased, are required to send particulars thereof to the undersigned solicitors for the executrix and executors, Clara Hill, widow, and Rowland Hill, nurseryman, both of Warragul aforesaid, and Albert William Jackson, of 26 Highbury-avenue, Moorabbin, cabinetmaker, on or before the 1st day of November, 1949, after which date the said executrix and executors will proceed to distribute the assets amongst the persons entitled thereto, having regard only to claims of which they shall then have had notice.

GRAY, FRIEND, & MOONIE, solicitors, Warragul. 9781

THOMAS ANDREW NESTER, late of Corindhap, labourer, DECEASED (who died on the 23rd February, 1949).

CREDITORS, next of kin, and all other persons having claims against the estate of the deceased are required by the executors, Gertrude Jane Nester, of Corindhap, widow, and George Kingsley Sutton, of 38 Lydiard-street south, Ballarat, solicitor, to send particulars to them, care of the undersigned, on or before the 1st November, 1949, after which date they will distribute the assets, having regard only to the claims of which they then have notice.

DOOLEY, SUTTON, & A. W. LONG, solicitors, 38 Lydiard-street south, Ballarat. 9805

EDWARD JOHN QUIGLEY, DECEASED.

CREDITORS, next of kin, and others having claims in respect of the estate of Edward John Quigley, late of 425 Station-street, North Carlton, retired mail officer, deceased (who died on the 6th day of June, 1949), are to send the particulars of their claims to National Trustees, Executors, and Agency Company of Australasia Limited, the registered office of which is at 95 Queen-street, Melbourne, the executor of the will of the said deceased, by the 3rd day of November, 1949, after which date it will distribute the assets, having regard only to the claims of which it then has notice.

COLE & O'HEARE, solicitors, 465 Collins-street, Melbourne, solicitors for the company. 9791

EDWARD SHARP CRASTON, late of Mount Eden, near Auckland, New Zealand, retired professor of music (who died on 5th October, 1948).

CREDITORS, next of kin, and all persons having claims against the estate of above-named deceased are requested to forward particulars thereof to George O'Dell Crowther, the Victorian executor of deceased, at the address of his solicitors hereinafter named, on or before the 31st October, 1949, otherwise they may be excluded when the assets of deceased in Victoria are being distributed.

WEIGALL & CROWTHER, 459 Chancery-lane, Melbourne, solicitors to the said executor. 9792

CREDITORS, next of kin, and others having claims against the estate of James Arthur Wilfred Walker, formerly of 273 High-street, Northcote, chemist, and of "Sherwood," Malvern-road, Malvern, but late of 259 Waverley-road, East Malvern, gentleman, deceased (who died on the 28th June, 1949), are to send particulars of their claims to The Equity Trustees, Executors, and Agency Company Limited, of 472 Bourke-street, Melbourne, before the 1st November, 1949, after which date it will distribute the assets of the deceased, having regard only to claims of which it then has notice.

WEIGALL & CROWTHER, solicitors, 459 Chancery-lane, Melbourne. 9786

TRUSTEE COMPANIES ACTS.

CREDITORS, next of kin, and others having claims in respect of the estate of George Pascoe, formerly of Arnold-street, Bendigo, in the State of Victoria, but late of 28 Dundas-street, St. Arnaud, in the said State, gentleman, deceased (who died on the 30th day of October, 1948), are to send the particulars of their claims to The Equity Trustees, Executors, and Agency Company Limited, of 472 Bourke-street, Melbourne, by the 3rd day of November, 1949, after which date it will distribute the assets, having regard only to the claims of which it then has notice.

E. L. VAIL & SON, solicitors, 289 Flinders-lane, Melbourne. 9784

PURSUANT to the *Trustee Act 1928*, notice is hereby given that all creditors, next of kin, and others having claims against the property or estate of Thomas Henry Rutherford, formerly of 548 but late of 537 Canning-street, Carlton, storekeeper, deceased, intestate (who died on the 19th day of June, 1949, and letters of administration of whose estate was granted by the Supreme Court of Victoria to the administrator, Thomas Rutherford, of 57 Duncan-street, Sandringham, (truck driver), are hereby required to forward particulars, in writing, of their claims to the said administrator, in care of the undersigned solicitors, on or before the 25th day of October, 1949, after which date the said administrator will convey or distribute such property or estate to or amongst the persons entitled, having regard only to those claims of which he shall then have had notice.

W. H. FLOOD & PERMEZEL, 379 Collins-street, Melbourne, solicitors for the said administrator. 9789

PURSUANT to the *Trustee Act 1928*, notice is hereby given that all persons having claims against the estate of Herbert Philip Price, late of 35 Broadway, Camberwell, gentleman, deceased (who died on the 10th day of March, 1949, and probate of whose will was granted by the Supreme Court of the said State, in its probate jurisdiction, on the 4th day of August, 1949, to Eliza Annie Price, of 35 Broadway, Camberwell aforesaid, widow, and The Equity Trustees, Executors, and Agency Company Limited, of 472 Bourke-street, Melbourne), are hereby required to send particulars, in writing, of such claims to the said executors, care of The Equity Trustees, Executors, and Agency Company Limited, at its above-mentioned address, on or before the 27th day of October, 1949, after which date the said Eliza Annie Price and The Equity Trustees, Executors, and Agency Company Limited will proceed to distribute the assets of the said Herbert Philip Price, deceased, amongst the persons entitled thereto, having regard only to the claims of which they shall then have had notice.

HARWOOD & PINCOTT, solicitors, 472 Bourke-street, Melbourne. 9787

PURSUANT to the *Trustee Act 1928*, notice is hereby given that all persons having claims against the estate of Samuel Henry Masters, late of Murraydale, near Swan Hill, farmer, deceased (who died on the 7th day of May, 1948, and probate of whose will was granted on the 8th day of July, 1948, to Cecil Allan Masters, farmer, and Elma Lillian Masters, spinster, both of Murraydale, near Swan Hill, the executors appointed by the said will), are hereby required to send particulars, in writing, of such claims to the said executors, care of the undersigned, on or before the 31st day of October, 1949, after which date the said executors will distribute the said estate amongst the persons entitled thereto, having regard only to the claims of which they shall then have had notice, and the said executors will not be liable for the assets so distributed to any person of whose claim they shall not then have had notice.

DAVIES & HAYES, solicitors, 113 Campbell-street, Swan Hill. 9799

PURSUANT to the provisions of the *Trustee Act 1928*, notice is hereby given that all persons having claims against the estate of Arthur Browning Challen, late of 634 Glenhuntly-road, Caulfield, in the State of Victoria, piano tuner, deceased (who died on the 11th day of May, 1949, and probate of whose will was granted by the Supreme Court of Victoria, in its probate jurisdiction, on the 11th day of August, 1949, to Charles Henry Challen, of 63 Cunningham-street, Westgarth, in the said State, optician, the executor appointed by the said will), are hereby required to send particulars, in writing, of such claims to the said executor, care of L. J. Murphy and Son, 307 Collins-street, Melbourne, on or before the 31st day of October, 1949, after which date the said executor will proceed to convey or distribute the assets of the said deceased to or amongst the persons entitled thereto, having regard only to those claims of which he shall then have had notice, and further take notice that the said executor will not be liable for the assets so distributed, or any part thereof, to any person of whose claim he shall not have had notice as aforesaid.

Dated the 18th day of August, 1949.

L. J. MURPHY & SON, solicitors, 307 Collins-street, Melbourne. 9790

No. 732.—8415/49.—4

NOTICE TO CREDITORS.

CREDITORS, next of kin, and all others having claims in respect of the estate of Robert Gault, formerly of 14 Church-street, Richmond, in the State of Victoria, but late of 3 Church-street, Richmond aforesaid, asphaltier, deceased (who died on the 3rd day of August, 1948), are required to send particulars of their claims, in writing, to Thomas Alexander Gault, of 457 Victoria-street, Abbotsford, asphaltier, the grantee of letter of administration with the will annexed of the estate of the said deceased, care of the under-mentioned solicitor, on or before the 26th day of October, 1949, after which date the said Thomas Alexander Gault will distribute the assets, having regard only to the claims of which he then has notice.

T. I. A. FORBES, solicitor, of 303 Bridge-road, Richmond. 9804

CREDITORS, next of kin, and others having claims in respect of the estate of Andrew McCarthy, late of Mountain-road, The Basin, via Bayswater, in Victoria, retired gardener, deceased (who died on the 16th day of May, 1949, and probate of whose will was granted by the Supreme Court of Victoria on the 9th day of August, 1949, to National Trustees, Executors, and Agency Company of Australasia Limited, of 95 Queen-street, Melbourne, in Victoria, the executor named in the said will), are to send particulars of their claims to the said executor, at its address mentioned above, by the 25th day of October, 1949, after which date the said company will distribute the assets, having regard only to the claims of which it then has notice.

J. A. ROSS, solicitor, 225 Collins-street, Melbourne. 9803

PURSUANT to the *Trustee Act 1928*, notice is hereby given that all persons having claims against the estate of John Ross McNaughton, late of Swan Hill, retired farmer, deceased, intestate (who died on the 13th day of September, 1947, and letters of administration of whose estate was granted on the 6th day of February, 1948, to Margaret Anderson, of Pira, married woman), are hereby required to send particulars, in writing, of such claims to the said administratrix, care of the undersigned, on or before the 31st day of October, 1949, after which date the said administratrix will distribute the said estate amongst the persons entitled thereto, having regard only to the claims of which she shall then have had notice, and the said administratrix will not be liable for the assets so distributed to any person of whose claim she shall not then have had notice.

DAVIES & HAYES, solicitors, 113 Campbell-street, Swan Hill. 9802

PURSUANT to the *Trustee Act 1928*, notice is hereby given that all persons having claims against the estate of Frank Hayes, late of Mystic Park, farmer, deceased (who died on the 17th day of September, 1949, and probate of whose will was granted on the 27th day of January, 1949, to Thomas Austin Davey, of 35 Doncaster-road, Balwyn, gentleman, and Emily Elizabeth Hayes, of Mystic Park, widow, the executors appointed by the said will), are hereby required to send particulars, in writing, of such claims to the said executors, care of the undersigned, on or before the 31st day of October, 1949, after which date the said executors will distribute the said estate amongst the persons entitled thereto, having regard only to the claims of which they shall then have had notice, and the said executors will not be liable for the assets so distributed to any person of whose claim they shall not then have had notice.

DAVIES & HAYES, solicitors, 113 Campbell-street, Swan Hill. 9801

PURSUANT to the provisions of the *Trustee Act 1928*, all persons having claims against the estate of Andrew Joseph Nihill, late of 368 Church-street, Richmond, labourer, deceased (who died on 14th June, 1949, and probate of whose will was granted on 12th August, 1949, to David Hedley Thomas, of 140 Queen-street, Melbourne, solicitor), are required to send particulars, in writing, of such claims to the said executor, on or before the 31st day of October, 1949, after which date the executor will proceed to distribute the assets of the said deceased among the persons entitled thereto, having regard only to the claims of which he shall then have had notice, and the said executor will not be liable for the assets so distributed, or any part thereof, to any person of whose claim he shall not have had notice as aforesaid.

DAVID THOMAS, of 140 Queen-street, Melbourne, solicitor for the executor. 9785

PURSUANT to the *Trustee Act 1928*, notice is hereby given that all persons having claims against the estate of William Kendall Atkinson, late of Swan Hill, farmer, deceased (who died on the 5th day of July, 1947, and probate of whose will was granted on the 22nd day of October, 1947, to Joseph Atkinson and John Atkinson, both of Swan Hill, farmers, the executors appointed by the said will), are hereby required to send particulars, in writing, of such claims to the said executors, care of the undersigned, on or before the 31st day of October, 1949, after which date the said executors will distribute the said estate amongst the persons entitled thereto, having regard only to the claims of which they shall then have had notice, and the said executors will not be liable for the assets so distributed to any person of whose claim they shall not then have had notice.

DAVIES & HAYES, solicitors, 113 Campbell-street, Swan Hill. 9800

VALERIE HELEN WHELAN, late of 14 Pringgit Hill, Malacca, Federation of Malaya, married woman, DECEASED, intestate (who died on the 5th day of November, 1948).

CREDITORS, next of kin, and all other persons having claims against the estate of the deceased are required by the administrator of the estate, John Lawrence Molomb, of 99 Queen-street, Melbourne, in the State of Victoria, solicitor, to send particulars to him, care of the undersigned, on or before the 28th day of October, 1949, after which date he will distribute the assets, having regard only to the claims of which he then has notice.

MOLOMBY & MOLOMBY, solicitors, 99 Queen-street, Melbourne. 9836

LOUIS PHILIP ROBILIARD, formerly of Nicholson-street, East Brunswick, but late of 405 Wellington-street, Clifton Hill, in the State of Victoria, painter (who died on the 18th day of June, 1949).

CREDITORS, next of kin, and all other persons having claims against the estate of the deceased are required by the executrix of the will, Lillian Robilliard, of 405 Wellington-street, Clifton Hill, in the said State, widow, to send particulars to her, care of the undersigned, on or before the 29th day of October, 1949, after which date she will distribute the assets, having regard only to the claims of which she then has notice.

MOLOMBY & MOLOMBY, solicitors, 99 Queen-street, Melbourne. 9837

PURSUANT to the *Trustee Act 1928*, all persons having claims against the estate of Esther Ann Fagg, late of 9 Wattletree-road, Drumcondra, Belmont, Geelong, spinster, deceased (who died on the 3rd day of June, 1949, and probate of whose will and codicil was granted by the Supreme Court of Victoria, on the 5th day of August, 1949, to William Henry Doery, of Tower-street, Mont Albert, managing director, and James Findley Field Frier, of Austin-street, Newtown, Geelong, estate agent, the executors appointed by the deceased's will), are hereby required to send particulars of such claims to the said William Henry Doery and James Findley Field Frier, care of the under-mentioned solicitors, on or before the 25th day of October, 1949, after which date the said executors will distribute the assets, having regard only to the claims of which notice has then been received.

Dated the 18th day of August, 1949.

MARTIN & MARTIN, solicitors, 37 Queen-street, Melbourne. 9838

CREDITORS, next of kin, and all others having claims against the unadministered estate of Ernest Wallace Mylrea, late of 16 Surf-avenue, Beaumaris, retired school teacher, deceased, intestate (who died on the 19th day of August, 1943), are required to send particulars of their claims, in writing, to Edward James Mylrea, of 20 Bank-place, Melbourne, gentleman, the administrator to whom letters of administration of the unadministered estate of deceased were granted, on the 8th day of August, 1949, care of the under-mentioned solicitors, on or before the 28th day of October, 1949, after which date the administrator will distribute the assets of the said deceased amongst the persons entitled thereto, having regard only to the claims of which he shall then have had notice.

Dated the 22nd day of August, 1949.

HOME, WILKINSON, & LOWRY, solicitors, 401 Collins-street, Melbourne. 9832

CREDITORS, next of kin, and others having claims in respect of the estate of Joseph Roberts, formerly of 32 Wimble-street, Parkville, in the State of Victoria, but late of 16 Ormond-road, Ascot Vale, in the said State, gentleman, deceased (who died on the 12th day of June, 1949), are to send the particulars of their claims to The Equity Trustees, Executors, and Agency Company Limited, of 472 Bourke-street, Melbourne, in the State of Victoria, by the 2nd day of November, 1949, after which date it will distribute the assets, having regard only to the claims of which it then has notice.

Dated the 23rd day of August, 1949.

OSWALD BURT & CO., of 394 Collins-street, Melbourne, solicitors for The Equity Trustees, Executors, and Agency Company Limited. 9850

WALTER KNAPP, late of 9 Rushmead-street, Malvern, in the State of Victoria, retired Government employee, DECEASED (who died on the 29th June, 1949).

CREDITORS, next of kin, and all other persons having claims against the estate of the above-named deceased are required by the executor, John McIntosh, of 317 Collins-street, Melbourne, in the said State, real estate agent, to send particulars to him, care of the undersigned, on or before the 27th day of October, 1949, after which date he will distribute the assets of the said deceased, having regard only to the claims of which he then has had notice.

W. H. JONES & KENNEDY, solicitors, 214 Nicholson-street, Footscray. 9833

NELLIE O'CONNOR (in the will called Nelly O'Connor), formerly of 210 Nicholson-street, Footscray, but late of 41 Nicholson-street, Footscray, in the State of Victoria, widow, DECEASED (who died on the 24th February, 1949).

CREDITORS, next of kin, and all other persons having claims against the estate of the above-named deceased are required by the executor, National Trustees, Executors, and Agency Company of Australasia Limited, whose registered office is situate at No. 95 Queen-street, Melbourne, in the said State, to send particulars of such claims to the said company, on or before the 27th day of October, 1949, after which date the said company will distribute the assets of the said deceased, having regard only to the claims of which it then has had notice.

W. H. JONES & KENNEDY, solicitors, 214 Nicholson-street, Footscray. 9834

ALL persons having claims against the estate of Sarah Catherine Dark, late of 15 Forster-street, Williamstown, widow, deceased (who died on 29th April, 1949, and probate of whose will was on 2nd August, 1949, granted by the Supreme Court of Victoria to Archibald John Fowler, of 31 Queen-street, Melbourne, solicitor, the executor appointed therein), are hereby required to send particulars, in writing, of such claims to the said executor, at the address below, on or before the 1st November, 1949, after which date the said executor will proceed to convey or distribute the said estate to or among the persons entitled thereto, having regard only to the claims of which he shall then have had notice, and will not be liable for the assets so distributed to any person of whose claim he shall not then have had notice.

FOWLER & HICK, solicitors, 31 Queen-street, Melbourne. 9827

CREDITORS, next of kin, and others having claims in respect of the estate of Albert James Batchelor, late of Flat 4, 25 Leopold-street, South Yarra, in the State of Victoria, secretary, deceased (who died on the 5th day of July, 1949), are to send particulars of their claims to The Trustees, Executors, and Agency Company Limited, of 401 Collins-street, Melbourne, by the 31st day of October, 1949, after which date it will distribute the assets, having regard only to the claims of which it has had notice.

E. A. ATKYNS & SON, 422 Little Collins-street, Melbourne. 9828

CREDITORS, next of kin, and others having claims in respect of the estate of Clive Richard White, late of St. Leonard's-road, Healesville, timber worker, deceased (who died on the 19th day of January, 1949), are hereby required to send particulars of their claims to the administratrix, Verna Mercy White, of St. Leonard's-road, Healesville aforesaid, widow, or to her solicitors under-mentioned, by the 24th day of October, 1949, after which date she will distribute the assets, having regard only to claims of which she then has notice.

O'CONNOR & PHILLIPS, solicitors, 742 High-street, Thornbury. 9819

NOTICE TO CLAIMANTS.—JOHN FRANCIS FEEHAN, late of 147 North-road, Gardenvale, in the State of Victoria, gentleman, DECEASED.

ALL persons having claims against the estate of the above-named deceased (who died on the 14th day of June, 1949, and application for probate of whose will has been made to the Supreme Court of the said State by Eric Feehan, of 19 Milburn-grove, East St. Kilda, in the said State, racing official, one of the executors named in the said will), are hereby required to send in particulars, in writing, of such claims to the said Eric Feehan, on or before the 30th day of October, 1949, after which date the said Eric Feehan will proceed to distribute such of the assets of the said deceased as shall have come to his possession, having regard only to the claims of which he shall then have received notice as aforesaid.

Dated the 22nd day of August, 1949.

J. J. CARROLL, 191 Queen-street, Melbourne, solicitor for the applicant. 9822

PURSUANT to the *Trustee Act* 1928, notice is hereby given that all persons having claims against the estate of Arthur James Monk, late of 5 Mernda-avenue, Glenhantly, in the State of Victoria, retired market gardener, deceased (who died on the 17th day of January, 1949, and probate of whose will was granted by the Supreme Court of the State of Victoria, in its probate jurisdiction, on the 11th day of August, 1949, to The Equity Trustees, Executors, and Agency Company Limited, of 472 Bourke-street, Melbourne, Carl Alfred Theodore Gorler, of 8 Clonard-avenue, Elsternwick, in the said State, plumber, and Walter John Powell, of 1022 Nepean-highway, Highett, in the said State, gentleman), are hereby required to send particulars, in writing, of such claims to the executors, care of the said company, at its office, 472 Bourke-street, Melbourne, on or before the 1st day of November, 1949, after which date the said executors will proceed to distribute the assets of the said Arthur James Monk, deceased, which shall have come into their hands amongst the persons entitled thereto, having regard only to the claims of which they shall then have had notice. And notice is hereby given that the said executors will not be liable for the assets so distributed, or any part thereof, to any person of whose claim they shall not have had notice as aforesaid.

E. W. OLLEY, solicitor, 431 Bourke-street, Melbourne. 9821

CREDITORS, next of kin, and all others having claims in respect of the estate of Robert Ford, late of Hopetoun, in the State of Victoria, merchant, deceased (who died on the 8th day of December, 1948), are to send particulars of their claims to the executors, Robert Colin Ford, Norman Edwin Horace Ackland, and Keith James, Jenkins Ackland, care of the undersigned, on or before the 1st day of November, 1949, after which date they will distribute the assets, having regard only to the claims of which they then have notice.

D. J. COMMONS, solicitor, Hopetoun. 9817

CREDITORS, next of kin, and others having claims in respect of the estate of Edward Casper, late of 40 Mary-street, St. Kilda, and of 272 Bourke-street, Melbourne, financier, deceased (who died on the 11th day of September, 1948), are to send particulars of their claims to The Perpetual, Executors, and Trustees Association of Australia Limited and Adolph Percival Casper, at the registered office of the said company at 100-104 Queen-street, Melbourne, by the 7th day of November, 1949, after which date they will distribute the assets, having regard only to the claims of which they then have notice.

Dated the 23rd day of August, 1949.

CORR & CORR, 104 Queen-street, Melbourne, proctors for the executors. 9820

ALBERT EBENEZER COUZENS, late of 2 Lorne-street, Moonee Ponds, medical practitioner, DECEASED.

CREDITORS, next of kin, and others having claims against the estate of the above-named deceased are required by the executrices, Adelaide Mabel Parry and Dorothy Earle Simpson, to send particulars thereof to them, at the under-mentioned address, on or before 29th October, 1949, after which date they will distribute the assets of the said deceased, having regard only to the claims of which they then have notice.

VROLAND, PEARCE, & WEBSTER, solicitors, 430 Little Collins-street, Melbourne. 9846

RE CHRISTINA JOSEPHINE TRIBOLET, DECEASED.

NOTICE is hereby given that all persons having claims against the property or estate of Christina Josephine Tribolet, late of Leopold, married woman, deceased (who died on the 20th day of March, 1949, and letters of administration of whose estate were granted to Percy Alan Tribolet, of Leopold, farmer), are hereby required to send, in writing, particulars of such claims to the said Percy Alan Tribolet, on or before the 26th day of October, 1949, after which date he will convey or distribute such property or estate to or among the persons entitled thereto, having regard only to the claims of which he shall then have had notice.

HARWOOD AND PINCOTT, 51 Yarra-street, Geelong, and 472 Bourke-street, Melbourne, solicitors for the said Percy Alan Tribolet. 9770

JESSIE BRADDISH, late of Rose-street, Bendigo, spinster, DECEASED.

CREDITORS, next of kin, and all persons having claims against the estate of the above deceased are requested by George Harold Bush, solicitor, and Walter John McLay, accountant, both of Victoria Chambers, Pall Mall, Bendigo, the executors of the will of the said deceased, to send particulars thereof to them, care of the undersigned, on or before the 24th day of October, 1949, after which date the said executors will distribute the assets, having regard only to the claims of which they shall then have had notice.

COHEN, KIRBY, & CO., solicitors, 117 Pall Mall, Bendigo. 9768

CREDITORS, next of kin, and all other persons having claims against the estate of John Speers, late of Fryerstown, in Victoria, orchardist, deceased, intestate (who died on 27th May, 1949), are required to send particulars, in writing, of such claims to Eva Florence Speers, the administratrix of his estate, in care of the undersigned solicitors, on or before the 23rd day of October, 1949, after which date the said Eva Florence Speers will distribute the assets of the deceased, having regard only to the claims of which she shall then have had notice.

LOVELL LANGSLOW & SON, solicitors, Castle-maine. 9772

CREDITORS, next of kin, and others having claims in respect of the estate of Elizabeth Concordia Kleesattel (usually known as Elizabeth Concordia Laufer), formerly of 13 Watson-grove, Glenhantly, but late of 8 Eureka-street, North Richmond, gentlewoman (who died on the 9th day of July, 1949, probate of whose will was granted on the 5th day of August, 1949), are required to send particulars of their claims to the executor, Phillip Windmiller Ettelson, in care of the undersigned solicitors, on or before the 30th day of October, 1949, after which date the executor will distribute the assets, having regard only to the claims of which he then has notice.

UPTON, ETTELSON, & OWEN, of 395 Collins-street, Melbourne, solicitors to the executor. 9845

CREDITORS, next of kin, and others having claims in respect of the estate of Florence Anderson, late of 24 Mount-street, Preston, spinster (who died on the 7th day of May, 1949), are to send the particulars of their claims to The Perpetual Executors and Trustees Association of Australia Limited, of 100 Queen-street, Melbourne, by the 25th day of October, 1949, after which date it will distribute the assets, having regard only to the claims of which it then has notice.

JOSEPH BARNETT & PODEM, solicitors, 332 Drummond-street, Carlton. 9841

MINING NOTICES.

FIFTEENTH SCHEDULE—PART A.

I. THE undersigned, hereby make application to register Whippet Consolidated No Liability as a company under the provisions of Part II. of the *Companies Act* 1938.

1. The name of the company is to be Whippet Consolidated No Liability.
2. The place of operations is at Tennant Creek, in the Northern Territory, and elsewhere.
3. The registered office of the company will be situate at 19 Queen-street, Melbourne, in the State of Victoria.

4. The value of the company's property, including claim, leased ground, or machinery, is nil at present.

5. The number of shares in the company is 500,000 of 1s. each.

6. The number of shares subscribed for is 125,000, being not less than Twenty-five per centum of the entire number of shares in the company.

7. The amount of the subscribed capital which is paid up is £5,000, being not less than Five per centum of the subscribed capital.

8. The name of the manager is Harry Vincent Sampson.

9. The names and addresses and occupations of at least two shareholders who have subscribed for shares in the company and the number of shares subscribed for by each of them at this date are as follows:—

Joseph Solomon Emanuel, 543 Toorak-road, Toorak, agent	300 shares
Arthur Edward Dowling, Summit Drive, Heidelberg, merchant	300 shares

H. V. SAMPSON, Manager

Dated this 22nd day of August, 1949.

Witness to signature—P. PROCTOR.

I, HARRY VINCENT SAMPSON, of 19 Queen-street, Melbourne, in the State of Victoria, do solemnly and sincerely declare that:

1. I am the manager of the said intended company.

2. The above statement is to the best of my belief and knowledge true in every particular.

And I make this solemn declaration conscientiously believing the same to be true and by virtue of the provisions of an Act of the Parliament of Victoria rendering persons making a false declaration punishable for wilful and corrupt perjury.

H. V. SAMPSON.

Taken before me this 23rd day of August, 1949.—A. S. RICHARDSON, J.P. 9843

FIFTEENTH SCHEDULE.—PART A.

I, THE undersigned, hereby make application to register Yonki Creek Gold No Liability as a company under the provisions of Part II. of the *Companies Act 1938*.

1. The name of the company is to be Yonki Creek Gold No Liability.

2. The place of operations is at Kainantu, New Guinea.

3. The registered office of the company will be situated at 422 Collins-street, Melbourne.

4. The value of the company's property, including claim and machinery, is £14,000.

5. The number of shares in the company is 400,000 shares of 4s. each.

6. The number of shares subscribed for is 100,000, being not less than Twenty-five per centum of the entire number of shares in the company.

7. The amount of the subscribed capital which is paid up is £10,000, being not less than Five per centum of the subscribed capital.

8. The name of the manager is Frank Cooper.

9. The names and address and occupations of at least two shareholders who have subscribed for shares in the company and the number of shares subscribed for by each of them at this date are as follows:—

Edwin Gripper Banks, 360 Collins-street, Melbourne, mining engineer	500 shares
Claude Gordon Robinson, 34 Queen-street, Melbourne, manufacturer's agent	400 shares

FRANK COOPER, Manager.

Dated this 23rd day of August, 1949.

Witness to signature—(Sgd.) A. R. PARTRIDGE, J.P.

I, FRANK COOPER, do solemnly and sincerely declare that:

1. I am the manager of the said intended company.

2. The above statement is to the best of my belief and knowledge true in every particular. And I make this solemn declaration conscientiously believing the same to be true, and by virtue of the provisions of an Act of the Parliament of Victoria rendering persons making a false declaration punishable for wilful and corrupt perjury.

Taken before me at Melbourne, in the State of Victoria, this 23rd day of August, 1949.—A. R. PARTRIDGE, J.P. 9831

IMPOUNDINGS.

BEACONSFIELD.—Impounded at Beaconsfield.

1 bay draught gelding, aged, white stripe down face, no visible brand

If not claimed and expenses paid, to be sold on 9th September, 1949.

H. NIXON,
Poundkeeper.
9853—5/10

BEAR'S LAGOON.—Impounded in the Bear's Lagoon Pound, by L. J. Miles.

1 red and white shorthorn cross bull, about 18 months, no visible brand

If not claimed and expenses paid, to be sold on 6th September, 1949.

E. H. LAMB,
Poundkeeper.
9774—6/8

BRAYBROOK.—Impounded at Braybrook.

1 dark-brown gelding, white face, one white front hoof, hind feet white, rope round neck

If not claimed and expenses paid, to be sold on 10th September, 1949.

R. CRADDOCK,
Poundkeeper.
9809—5/10

CRANBOURNE.—Impounded at Cranbourne, by Ranger, from Centre and Frankston roads, South Lyndhurst.

1 mousey coloured female donkey, no visible brand

If not claimed and expenses paid, to be sold on 8th September, 1949.

F. H. CLARK,
Poundkeeper.
9852—5/10

ELTHAM.—Impounded in Eltham Pound:

1 red and white heifer, both ears slit, no visible brand

1 red and white cow, no visible brand

1 baldy steer, no visible brand

1 white heifer, both ears notched, tag No. B in one ear

If not claimed and expenses paid, to be sold on 7th September, 1949.

W. J. WALSH,
Poundkeeper.
9810—7/6

LAKE BENETOOK.—Impounded at Lake Benetook (Mildura).

1 brown draught gelding, blazed face, front and near hind feet white, no visible brand

If not claimed and expenses paid, to be sold on 8th September, 1949.

S. C. JESSOP,
Poundkeeper.
9851—6/8

MAFFRA.—Impounded at Maffra, by W. Pascoe.

1 bay gelding, white face, three white feet, no visible brand

1 black heifer, two slits off ear, no visible brand

1 Ayrshire heifer, slit off ear, no visible brand

2 red heifers, two slits off ears, no visible brand

If not claimed and expenses paid, to be sold on 16th September, 1949.

J. H. GIESCHEN,
Poundkeeper.
9766, 9808—7/6

NEWHAM AND WOODEND.—Impounded in Newham and Woodend Pound, on 15th August, 1949, by Ian Tate, Inspector, Country Roads Board.

No. 2. 1 bay pony gelding, white patch on forehead, aged, no visible brand

If not claimed and expenses paid, to be sold on 7th September, 1949.

F. BOWYER,
Poundkeeper.
9807—7/6

ORBOST.—Impounded in Orbost Pound, by Shire Herdsman.

3 Jersey cows, swallow tail off ear, notch top near ear

1 Jersey heifer, no visible brand

If not claimed and expenses paid, to be sold after fourteen days.

H. DOMINEY,
Poundkeeper.
9761—6/8

STATE ACTS, 1944.

COPIES of the following Acts of Parliament of Victoria may be obtained at the Government Printing Office, or from any bookseller, at the price set opposite to each:—

No.	Price. s. d.
4999. Consolidated Revenue	0 6
5000. Local Government (Polling Booths) ..	0 6
5001. Police Offences (Unlawful Games) ..	0 6
5002. Hospitals and Charities	0 6
5003. Water (Loddon)	0 6
5004. Justices	0 6
5005. Coal Mines Regulation (Amendment) ..	0 6
5006. Consolidated Revenue	0 6
5007. Melbourne and Metropolitan Board of Works (Contributions)	0 6
5008. Marketing of Primary Products	0 6
5009. National Security (Emergency Powers) Con- tinuation	0 6
5010. Outer Circle Railway (Partial Dismantling)	0 6
5011. Mines (Minerals)	0 6
5012. Goods (Textile Products)	0 6
5013. Masseurs	0 6
5014. Electoral (War Service Deaths)	0 6
5015. Cremorne Bridge	0 6
5016. Melbourne Harbor Trust	0 6
5017. Water	0 9
5018. Consolidated Revenue	0 6
5019. Mildura Irrigation and Water Trusts ..	0 6
5020. Farm Water Supplies Advances	0 6
5021. Sewerage Districts	0 6
5022. Trustee Companies	0 6
5023. Mildura Irrigation and Water Trusts (Super- annuation)	0 6
5024. Consolidated Revenue	0 6
5025. Cemeteries	0 6
5026. Border Railways	0 6
5027. Local Government (Shire of Blackburn and Mitcham)	0 6
5028. Electoral Districts	0 6
5029. Land	0 6
5030. Land Tax	0 6
5031. Administration and Probate Duties ..	0 6
5032. Stock Foods (Amendment)	0 6
5033. Stamps (Increased Duty Continuance) ..	0 6
5034. Maribyrnong and Ashburton Lands Exchange	0 6
5035. Financial Emergency (Grants and Funds) ..	0 6
5036. Farmers Advances	0 6
5037. Land Settlement (Acquisition) Amendment	0 6
5038. Railways	0 6
5039. Farmers Protection (Amendment)	0 6
5040. Country Fire Authority	1 9
5041. Country Roads Board Fund	0 6
5042. Railway Loan and Application	0 6
5043. Town and Country Planning	1 0
5044. Agricultural Colleges	0 9
5045. Heatherton Sanatorium	0 6
5046. Health (Infectious Diseases Hospitals) ..	0 6
5047. Surplus Revenue	0 6
5048. Water Supply Loans Application	0 9
5049. State Forests Loan and Application	0 6
5050. Public Works Loan and Application	0 6
5051. Commonwealth and States Financial Agree- ment	1 3
5052. The Constitution Act Amendment	0 6
5053. Public Library National Gallery and Museums	0 9
5054. Drought Relief	0 6
5055. Co-operative Housing Societies	1 6
5056. Local Government	1 0
5057. Melbourne and Metropolitan Board of Works	0 9
5058. Appropriation of Revenue	3 9

J. J. GOURLEY,
Government Printer.

STATE ACTS, 1945.

COPIES of the following Acts of Parliament of Victoria may be obtained at the Government Printing Office, or from any bookseller, at the price set opposite to each:—

No.	Price. s. d.
5059. Mildura Irrigation and Water Trusts (Borrow- ing)	0 6
5060. Supreme Court (Judges)	0 6
5061. Oakleigh (Regent-street) Land	0 6
5062. Swine	0 6
5063. Drought Relief (Amendment)	0 6
5064. Unclaimed Moneys	0 6
5065. Consolidated Revenue	0 6
5066. Consolidated Revenue	0 6
5067. Agent-General's	0 6
5068. Land Surveyors (Amendment)	0 6
5069. State Development	0 6
5070. Melbourne and Metropolitan Board of Works (Borrowing Powers)	0 6
5071. Education	0 6
5072. Water	0 6
5073. National Security (Repeal)	0 6
5074. Moorabbin (Unimproved Rating Poll)	0 6
5075. Licensing (Poll)	0 6
5076. Lilydale Waterworks Trust Abolition	0 6
5077. East Melbourne Land	0 6
5078. Health (Wines)	0 6
5079. Local Government (Emergency Housing Accommodation)	0 6
5080. Law Institute	0 6
5081. Bendigo Land	0 6
5082. Consolidated Revenue	0 6
5083. Consolidated Revenue	0 6
5084. Consolidated Revenue	0 6
5085. Factories and Shops (Bread Holidays)	0 6
5086. Administration and Probate Duties ..	0 6
5087. Land Tax	0 6
5088. Stamps (Increased Duty Continuance)	0 6
5089. Licensing Fund	0 6
5090. Employers and Employés	0 6
5091. Farmers Advances	0 6
5092. University (Veterinary Research)	0 6
5093. Surplus Revenue	0 6
5094. State Forests Loan and Application ..	0 6
5095. Mines (Amendment)	0 6
5096. Farmers Protection (Amendment)	0 6
5097. Railway Loan Application	0 6
5098. Public Works Loan and Application ..	0 6
5099. Water Supply Loans Application	0 9
5100. Public Account Advances (Amendment)	0 6
5101. Hospital Benefits	0 6
5102. Totalizator (Amendment)	0 6
5103. Financial Emergency (Municipal Endowment)	0 6
5104. Country Roads Board Fund (Amendment)	0 6
5105. Coal Mines Regulation (Amendment)	0 6
5106. Melbourne and Metropolitan Tramways (Chair- man)	0 6
5107. Soldier Settlement	1 3
5108. Appropriation of Revenue	4 0

J. J. GOURLEY,
Government Printer.

STATE ACTS, 1946.

COPIES of the following Acts of Parliament of Victoria may be obtained at the Government Printing Office, or from any bookseller, at the price set opposite to each:—

No.	Price. s. d.
5109. Geelong Land	0 6
5110. Transport Regulation (Amendment) ..	0 6
5111. Factories and Shops (Annual Holidays)	0 9
5112. Mornington Sewerage Authority (Validation)	0 6
5113. Local Government (Emergency Housing Accommodation) Amendment	0 6
5114. Housing (Commonwealth and State Agree- ment)	1 0
5115. Factories and Shops (Early Closing) ..	0 6
5116. Building Operations and Building Materials Control	0 9
5117. Water (Levee Banks)	0 9
5118. Co-operative Housing Societies	0 6
5119. Local Government (Municipal Rolls)	0 6
5120. Public Works Loan and Application ..	0 6
5121. Totalizator (Charities)	0 6
5122. Drought Relief	0 6
5123. Taxation (Arrangements)	0 6
5124. Public Service	1 6
5125. Teaching Service	1 3

STATE ACTS, 1946—continued.

No.	Price. s. d.
5126. Police Regulation	1 0
5127. Railways (Long Service)	0 6
5128. Workers' Compensation	1 6
5129. Sewerage Districts (Amendment)	0 6
5130. Factories and Shops (Bread)	0 6
5131. Crimes (Intermediate Sentences)	0 6
5132. Medical (Chemists' Apprentices)	0 6
5133. Soldier Settlement (Amendment)	0 6
5134. Consolidated Revenue	0 6
5135. Consolidated Revenue	0 6
5136. Apprenticeship	0 6
5137. Consolidated Revenue	0 6
5138. Consolidated Revenue	0 6
5139. Consolidated Revenue	0 6
5140. Nicholson-street Tramway Construction	0 6
5141. Burke-road Tramway Construction	0 6
5142. Ballarat Gas Company's	0 6
5143. Melbourne and Metropolitan Board of Works (Contributions)	0 6
5144. Stamps (Betting Tax)	0 6
5145. Juries (Fees)	0 6
5146. Cattle and Swine Compensation	0 6
5147. Marine (Pilots and Pilotage Rates)	0 6
5148. Patriotic Funds	0 6
5149. Stock Foods (Amendment)	0 6
5150. Municipal Endowment (Temporary Discon- tinuance)	0 6
5151. Medical Practitioners' Registration	0 6
5152. Seeds	0 6
5153. Water	0 6
5154. Clifton Hill Land	0 6
5155. Tobacco Sellers	0 6
5156. Country Roads Board Fund (Amendment)	0 6
5157. Moorpanyal Land	0 6
5158. Factories and Shops (Annual Holidays) Amendment	0 6
5159. Factories and Shops (Wages Boards) (Amendment)	0 6
5160. Melbourne and Metropolitan Tramways (Amendment)	0 6
5161. Infectious Diseases Hospital (Borrowing)	0 6
5162. University (Mildura Branch)	0 6
5163. Farmers Protection (Amendment)	0 6
5164. Forests (Exchange of Lands) Extension	0 6
5165. Money Lenders (Cash Orders)	0 6
5166. Local Government (Dandenong Street Con- struction)	1 0
5167. Stamps (Increased Duty Continuance)	0 6
5168. Land Tax	0 6
5169. Cattle Breeding	0 6
5170. Administration and Probate Duties	0 6
5171. Co-operative Housing Societies (Guarantees)	0 6
5172. Railways (Sick Leave)	0 6
5173. Fruit and Vegetables	0 6
5174. Farm Water Supplies and Drainage Advances	0 6
5175. State Forests Loan and Application	0 6
5176. Melbourne South Land	0 6
5177. Agricultural Colleges (Amendment)	0 6
5178. Drought Relief (Amendment)	0 6
5179. Soldier Settlement	1 9
5180. Free Library Service Board	0 6
5181. Adult Education	0 6
5183. Evidence	0 6
5184. Housing (Discharged Servicemen)	0 6
5185. Parliamentary Contributory Retirement Fund	0 6
5186. Friendly Societies	0 6
5187. Police Offences (Race-meetings)	0 6
5188. Railways (Mont Park Siding)	0 6
5189. Land (Grazing Licences)	0 6
5190. Factories and Shops (Bread Carters)	0 6
5191. Country Fire Authority	1 0
5192. Supreme Court (Judges)	0 6
5193. Railway Loan Application	0 6
5194. Metropolitan Gas Company's	0 6
5195. Railways (Temporary Employés)	0 6
5196. Railways (State Coal Mine)	0 6
5197. Licensing	0 6
5198. Town and Country Planning	0 6
5199. Public Works Loan and Application (No. 2)	0 6
5201. Trotting Races	0 6
5202. Economic Stability	0 6
5204. Stamps	2 3
5206. Melbourne and Metropolitan Tramways (Appeal Board)	0 6

J. J. GOURLEY,
Government Printer.

STATE ACTS, 1947.

COPIES of the following Acts of Parliament of Victoria may be obtained at the Government Printing Office, or from any bookseller, at the price set opposite to each:—

No.	Price. s. d.
5207. Consolidated Revenue	0 6
5208. Custodian Trustee	0 6
5209. Revocation and Excision of Crown Reserva- tions	0 9
5210. Farmers Advances (Amendment)	0 6
5211. Private Bill Committees	0 6
5212. Health (Amendment)	0 6
5213. Wills (Amendment)	0 6
5214. Old Colonists' Association	0 6
5215. Consolidated Revenue	0 6
5216. Local Authorities Superannuation	1 0
5217. Statute Law Revision	0 6
5218. Motor Car (Registration Fees)	0 6
5219. State Electricity Commission (Yallourn Area)	0 6
5220. Transport Regulation (Licences and Fees)	0 6
5221. Local Government (Private Street Construc- tion)	0 6
5222. State Development (Amendment)	0 6
5223. Coal Mine Workers Pensions	0 6
5224. State Savings Bank	0 9
5225. Drought Relief	0 6
5226. Soil Conservation and Land Utilization	1 0
5227. Consolidated Revenue	0 6
5228. Consolidated Revenue	0 6
5229. Consolidated Revenue	0 6
5230. Municipal Endowment (Temporary Discon- tinuance)	0 6
5231. Forests (Commissioners)	0 6
5232. State Forests Loan and Application	0 6
5233. Melbourne and Metropolitan Tramways (Amendment)	0 6
5234. Auditor-General's Salary	0 6
5235. Drought Relief (Amendment)	0 6
5236. Wheat Marketing (Winding Up) Amendment	0 6
5237. University (Mildura Branch)	0 6
5238. Factories and Shops (Bread)	0 6
5239. Water Supply Loan and Application	1 3
5240. Public Works Loan and Application	0 6
5241. Administration and Probate Duties	0 6
5242. Land Tax	0 6
5243. Country Roads Board Fund (Amendment)	0 6
5244. Ballarat Land	0 9
5245. Stamps (Increased Duty Continuance)	0 6
5246. Railway Loan Application	0 9
5247. Sewerage Districts (Amendment)	0 6
5248. State Electricity Commission (Financial)	0 6
5249. Public Account Advances (Amendment)	0 6
5250. Infectious Diseases Hospital (Amendment)	0 6
5251. Public Works Loan and Application (Amend- ment)	0 6
5252. Officials in Parliament	0 6
5253. Water	0 6
5254. Supreme Court (Judges Salaries)	0 6
5255. Superannuation	0 6
5256. Country Sewerage Loan and Application	0 6
5257. Melbourne and Metropolitan Board of Works (Contributions)	0 6
5258. Vegetation Diseases (Fruit Fly)	0 6
5259. Building Operations and Building Materials Control (Amendment)	0 6
5260. Police Regulation (Amendment)	0 6
5261. Factories and Shops (Determinations)	0 6
5262. Appropriation of Revenue	5 3

J. J. GOURLEY,
Government Printer.

STATE ACTS, 1948.

COPIES of the following Acts of Parliament of Victoria may be obtained at the Government Printing Office, or from any bookseller, at the price set opposite to each:—

No.	Price. s. d.
5263. Essential Services	0 9
5264. Landlord and Tenant	2 6
5265. Public Works Committee	0 6
5266. Midwives (Amendment)	0 6
5267. Carriers and Innkeepers	0 6
5268. Camberwell Lands	0 9
5269. Consolidated Revenue	0 6
5270. Miners' Phthisis (Treasury Allowances) Amendment	0 6
5271. Building Operations and Building Materials Control (Amendment)	0 6
5272. State Electricity Commission	0 9
5273. Town and Country Planning	0 6

STATE ACTS, 1948—continued.

No.	Price s. d.
5274. Coranderrk Lands	0 9
5275. Coroners (Medical Witnesses)	0 6
5276. Vegetation Diseases (Fruit Fly)	0 6
5277. Administration and Probate (Amendment)	0 9
5278. Country Roads (Permanent Works)	0 6
5279. Shrine of Remembrance Trustees	0 6
5280. Non-Contributory State Pensions	0 6
5281. Closer Settlement (Disposal of Land)	0 6
5282. Melbourne North Land	0 6
5283. Melbourne Harbor Trust (Chairman's Salary)	0 6
5284. Police Offences (Race-meetings)	1 0
5285. Statute Law Revision Committee	0 9
5286. Public Trustee	1 3
5287. Horse Breeding (Amendment)	0 6
5288. Building Operations Control (Amendment)	0 6
5289. Local Government (Streets)	1 3
5290. Country Roads	0 6
5291. Landlord and Tenant (Amendment)	1 3
5292. Hepburn Springs Land	0 6
5293. Gas Regulation (Amendment)	0 6
5294. Commonwealth Transferred Officers	0 6
5295. Forests (Amendment)	0 6
5296. Parliamentary Salaries and Allowances	0 9
5297. Farmers Debts Adjustment (Board)	0 6
5298. Justices (Courts)	0 6
5299. Local Authorities Superannuation (Amendment)	0 6
5300. Hospitals and Charities	2 3
5301. Health (Hospitals)	0 9
5302. River Improvement	1 9
5303. Geelong Harbor Trust (Land)	0 6
5304. Stipendiary Magistrates	0 6
5305. Consolidated Revenue	0 6
5306. Consolidated Revenue	0 6
5307. Local Government (Footscray Street Construction)	0 6
5308. Teaching Service (Application of Enactments)	0 6
5309. Parliamentary Contributory Retirement Fund	0 6
5310. Prices Regulation	2 0
5311. Marine (Pilotage Rates)	0 6
5312. State Savings Bank	0 6
5313. Coal Mine Workers Pensions	0 9
5314. Transfer of Land (Acquisitions)	0 6
5315. Workers' Compensation (Police Force)	0 6
5316. Fire Brigades (Borrowing and Salaries)	0 6
5317. Public Officers Salaries	0 6
5318. Mildura Irrigation and Water Trusts (Amendment)	0 6
5319. Thornbury Land	1 0
5320. Barley Marketing	1 0
5321. North-West Mallee Settlement Areas	1 0
5322. Latrobe-street Tramway Construction	0 6
5323. Gippsland Railway (Duplication and Re-grading)	0 6
5324. Municipal Endowment (Temporary Discontinuance)	0 6
5325. Stamps (Increased Duty Continuance)	0 6
5326. Country Roads Board Fund (Amendment)	0 6
5327. Land Tax	0 6
5328. Housing	1 0
5329. Master of the Supreme Court	0 9
5330. Treasury Bonds	0 6
5331. Statute Law Revision	0 9
5332. Forests (Land Acquisition)	0 6
5333. State Forests Loan and Application	0 6
5334. Water Supply Loans Application	1 3
5335. Country Roads (Works and Evidence)	0 6
5336. Friendly Societies (War Service) Repeal	0 6
5337. Teaching Service (Amendment)	0 6
5338. Wheat Industry Stabilization	0 9
5339. Administration and Probate Duties	0 6
5340. Nurses (Registration)	0 6
5341. Cancer Institute	1 3
5342. Melbourne and Metropolitan Tramways (Financial)	0 6
5343. Railways Standardization Agreement	1 0
5344. Public Works Loan and Application (Amendment)	0 6
5345. Alphington to East Preston Railway Construction	0 9
5346. Public Works Loan and Application	0 6
5347. Building Operations (Amendment)	0 6
5348. Prices Regulation (Amendment)	0 6
5349. Parliamentary Salaries and Allowances (No. 2)	0 6
5350. Land (Leases)	0 6
5351. Coal (Overseas Purchase) Loan and Application	0 6
5352. Moe to Yallourn Railway Construction	0 9
5353. Hide and Leather Industries	1 0
5354. Revocation and Excision of Crown Reservations	1 0

STATE ACTS, 1948—continued.

No.	Price: s. d.
5355. Fern Tree Gully and Gembrook Railway (Reconstruction)	0 9
5356. Railway Loan and Application	1 0
5357. Co-operative Housing Societies	0 9
5358. Hospital Benefits	1 0
5359. Police Regulation (Amendment)	0 6
5361. Railways (Amendment)	0 9

J. J. GOURLEY,
Government Printer.

STATE ACTS, 1949.

COPIES of the following Acts of Parliament of Victoria may be obtained at the Government Printing Office, or from any bookseller, at the price set opposite to each:—

No.	Price: s. d.
5362. Miners' Phthisis (Treasury Allowances) Amendment	0 6
5363. Country Roads (Financial)	0 6
5364. Horsham Land	0 6
5365. Mental Institution Benefits	0 6
5366. Royal Commission (Communist Party)	0 6
5367. Melbourne and Metropolitan Tramways (Chairman)	0 6
5368. State Electricity Commission (Chairman)	0 6
5369. River Murray Waters	0 9
5370. Soldier Settlement	0 9
5371. Consolidated Revenue	0 6
5372. Agricultural Education	0 9
5373. Forestry Pulp and Paper Company's Afforestation Contracts	1 0
5374. Shearers Accommodation	1 3
5375. Water	0 9
5376. Consolidated Revenue	0 6
5377. Mildura Irrigation and Water Trusts (Financial)	0 6
5378. Collingwood (Unimproved Rating Poll)	0 6
5379. Crimes	1 3
5380. Governor's Salary	0 6

J. J. GOURLEY,
Government Printer.

AGENTS FOR THE "VICTORIA GOVERNMENT GAZETTE."

THE following have been appointed agents to receive Advertisements and subscriptions for the *Victoria Government Gazette*:—

- ARMSTRONG'S AGENCY, 143 Queen-street, Melbourne.
- MESSRS. ARNALL & JACKSON, 115 Barkly-street, West Brunswick.
- EDGAR'S NEWS AGENCY, 53 Murphy-street, Wangaratta.
- MESSRS. GORDON & GOTCH, News Agents, 511 Little Collins-street, Melbourne; and corner Barrack and Clarence streets, Sydney.
- MESSRS. HARSTON, PARTRIDGE, & CO., 455 Little Collins-street, Melbourne.
- ROBERTSON & MULLENS LTD., Elizabeth-street, Melbourne.
- MESSRS. A. S. RICHARDSON and T. C. GARDNER, trading as The Mercantile Exchange, 380 Collins-street, Melbourne.
- A. J. DIGBY (B. S. and N. W. CASH), Main-street, Bairnsdale.
- Mr. M. R. BADE, Tobacconist, Sturt-street, Ballarat.
- EDGAR'S NEWS AGENCY, Hargreaves-street, Bendigo.
- MESSRS. H. PAYNE & R. N. LOWE, 4 View Point, Bendigo.
- Mr. C. F. LATIMER, News Agent, Casterton.
- MESSRS. SMITH & DUNNON, Hamilton.
- ARMSTRONG BROS., Kyneton.
- MR. WM. DAVIS, Mildura.
- PIKE'S AUTHORIZED NEWS AGENCY, Sale.
- MESSRS. R. H. & W. M. PETTY, News Agent, Wangaratta.
- MR. F. T. McCORMICK, Nunn-street, Benalla.
- W. GORDON HAMPTON, 243 Mitchell-street, Bendigo.
- MESSRS. HENRY FRANKS & CO., Booksellers and Stationers, Market-square, Geelong.
- R. & A. SMALLMAN, News Agents, Toora.
- TRAINOR & McBRIDE, 246 Wyndham-street, Shepparton.
- E. W. B. WELSH, Hogan-street, Tatura.

A copy of the *Gazette* filed at each place for public reference.

PUBLICATION OF OFFICIAL MATTER.

ATENTION is invited to the following procedure in relation to the publication of official matter in the *Government Gazette*:—

1. *Matter submitted to the Executive Council.*

Matter submitted to the Executive Council which requires gazettal will normally be published in the issue of the following week.

Where urgent gazettal is required, special arrangements should be made with the *Gazette Officer*.

Publication will be facilitated by the submission of carbon copies for the use of the *Gazette Officer*.

2. *Other matter.*

(a) All other matter duly certified by a responsible officer for publication should be lodged with the *Gazette Officer* not later than half-past Ten a.m. on Tuesday.

(b) Lengthy or involved notices should be forwarded several days before publication.

(c) Proofs, which will be supplied only when specifically requested or at the direction of the *Gazette Officer*, should be returned promptly to avoid delay in publication.

(d) No additions or amendments to matter for publication will be accepted by telephone.

THE "VICTORIA GOVERNMENT GAZETTE."

SUBSCRIPTIONS.—*The subscription, including postage, is £1 12s. 6d. per annum, 16s. 3d. half-yearly, or 8s. 2d. per quarter, payable in advance.*

Subscriptions are required to commence and terminate with a month.

A lesser period than three months cannot be subscribed for.

Subscribers do not receive the Acts of Parliament with the GAZETTE.

ADVERTISEMENTS are charged at the rate of TEN PENCE per line single column, and ONE SHILLING and EIGHT PENCE per line double column.

The title (£5 Reward, Dissolution of Partnership, &c.) forms one or more lines as a heading.

On an average, ten words make a line.

Every signature must likewise be counted as a line.

The final words of a paragraph, though only portion of a line must be counted as one line.

SIGNATURES (in particular) and proper names must be written very plainly in the text; ONE SIDE ONLY of each slip of paper should be WRITTEN UPON.

ALL COMMUNICATIONS should be addressed to "The *Government Printer, Melbourne.*"

ALL DOCUMENTS illegibly written will be returned unpublished, and, where brands occur unprovided for by the ordinary letters of the alphabet, a worded explanatory description must be furnished.

THE VICTORIA GOVERNMENT GAZETTE is published on WEDNESDAY EVENING in each week, and Notices for insertion will be received by the *Government Printer* at or before Two p.m. at ordinary rates, and late advertisements between Two p.m. and FIVE p.m. at double rates on the day preceding the day of publication.

Single copies of the VICTORIA GOVERNMENT GAZETTE are Six pence, posted Eight pence, each.

No GAZETTES prior to January, 1939, in stock.

***ALL PAYMENTS ARE REQUIRED IN ADVANCE.—Remittances should be made by postal note, money order, or draft in favour of the *Government Printer*. Advertisements unaccompanied by a remittance sufficient to cover the cost of insertion will be returned unpublished.

CONTENTS.

	PAGE
Acts of Parliament on sale at the Government Printing Office	4925
Appointments	4874
Auction Sales Act	4878
Bank Holidays	4873
Business Agents Act 1930—Supplementary List	4878
Contracts	4883
Estates of Deceased Persons	4886
Government Notices	4875
Impoundings	4924
Lands	4899
Melbourne and Metropolitan Board of Works— Notice	4879
Mining	4923
Orders in Council	4888
Private Advertisements	4915
Proclamations	4873
Public Holidays	4873
Public Service Notices	4908
Real Estate Agents Act—Supplementary List	4879
Resignations	4875
State Rivers and Water Supply Commission	4882
Tenders	4901
Transport Regulation Board—Public Hearings	4876
Waterworks Trust	4877

[4929]



VICTORIA
GOVERNMENT GAZETTE.

Published by Authority.

[Registered at the General Post Office, Melbourne, for transmission by post as a newspaper.]

No. 733]

WEDNESDAY, AUGUST 24.

[1949

VICTORIAN RAILWAYS

VICTORIAN RAILWAYS COMMISSIONERS

BY-LAW No. 358

The Victorian Railways Commissioners in the exercise of the powers conferred upon them by the Railways Act do hereby make the following By-Law namely :—

1. PASSENGER FARES AND CHARGES.

On and after the First day of September 1949 the amounts of the several fares and charges for the conveyance of passengers over the Victorian Railways by Passenger train shall be except as is hereinafter provided the several fares and charges in force for the said conveyance on the Thirty-first day of August 1949 with an addition thereto in each case of an amount equivalent to Twelve and one half (12½) per centum of each fare or charge as the case may be in force for the said conveyance or carriage on the latter day.

The exceptions hereinbefore referred to are :—

(A) ORDINARY FARES FOR DAILY AND PERIODICAL TICKETS BETWEEN MELBOURNE AND SUBURBAN STATIONS WITHIN A RADIUS OF 20½ RAILWAY MILES FROM MELBOURNE AND BETWEEN MELBOURNE AND STATIONS BONBEACH TO FRANKSTON INCLUSIVE SHALL BE AS FOLLOW :—

Miles	Between Melbourne and—	Single.		Day Return.		Work-men's		Weekly Periodical.		Monthly.		Quarterly.		Half-Yearly.		Yearly.	
		1st	2nd	1st	2nd	Day Retn.	Wkly.	1st	2nd	1st	2nd	1st	2nd	1st	2nd	1st	2nd
		s. d.	s. d.	s. d.	s. d.	d. s.	d. s.	s. d.	s. d.	s. d.	s. d.	s. d.	s. d.	s. d.	s. d.	s. d.	s. d.
1	North Melbourne	0 3	0 2	0 5	0 4	...	1 9	2 6	0 0	0 8	0 1	7 0	1 7	2 11	4 2	1 0	3 19
2½	South Kensington	0 6	0 5	0 10	0 8½	...	2 4	5 13	1 0	3 0	1 5	14 8	2 0	5 3	11 3	1 7	7 11
3½	Footscray	0 8	0 5½	0 11	0 9	...	3 5	5 7	1 2	2 0	1 12	19 9	2 6	5 13	5 4	2 8	10 6
4	Seddon	0 9	0 6	1 1	0 10	...	3 5	6 4	1 5	4 0	1 7	9 3	3 8	6 9	10 4	3 8	17 2
4½	Yarraville	0 10	0 8½	1 1	0 10	...	3 5	6 4	1 5	4 0	1 7	9 3	3 8	6 9	10 4	3 8	17 2
5½	Spotswood	0 11	0 9½	1 1	0 11	...	4 4	7 6	1 10	0 1	3 4	1 0	3 4	7 13	11 5	9 15	0 2
6½	Newport	1 0	0 10	1 6	1 4	...	4 8	7 6	1 10	0 1	3 4	1 0	3 4	7 13	11 5	9 15	0 2
7½	North Williamstown	1 1	1 0	1 8	1 4	...	4 8	7 6	1 10	0 1	3 4	1 0	3 4	7 13	11 5	9 15	0 2
8½	Williamstown Beach	1 1	1 0	1 8	1 4	...	4 8	7 6	1 10	0 1	3 4	1 0	3 4	7 13	11 5	9 15	0 2
8½	Williamstown	1 3	1 0	1 11	1 5	...	5 1	7 7	1 10	0 1	3 4	1 0	3 4	7 13	11 5	9 15	0 2
8½	Williamstown Pier...	1 3	1 0	1 11	1 5	...	5 1	7 7	1 10	0 1	3 4	1 0	3 4	7 13	11 5	9 15	0 2
10	Seaholme	1 3	1 0	1 11	1 5	...	5 2	7 7	1 10	0 1	3 4	1 0	3 4	7 13	11 5	9 15	0 2
10½	Altona	1 4	1 1	1 12	1 10	...	5 5	8 16	1 12	2 1	5 6	4 6	10 3	8 10	4 11	6 10	9 16
8½	Paisley	1 3	1 0	1 11	1 5	...	5 1	7 7	1 10	0 1	3 4	1 0	3 4	7 13	11 5	9 15	0 2
9½	C.O.R. Platform	1 3	1 0	1 11	1 5	...	5 1	7 7	1 10	0 1	3 4	1 0	3 4	7 13	11 5	9 15	0 2
11½	Galvin	1 5	1 2	1 10	1 6	...	5 5	8 26	1 12	8 1	6 0	4 8	23	10 2	8 7	5 6	13 3
13	Laverton	1 7	1 4	1 12	1 1	...	6 5	10 8	1 15	11 6	8 4	14 8	3 11	11 8	19 11	6 16	7 17
13½	Aircraft Platform	1 10	1 4	1 12	1 2	...	6 5	11 9	1 16	10 7	2 4	19 6	13 5	9 9	0 6	19 6	18 8
19½	Werrisbee	2 6	1 10	1 13	9	2 10	11 6	10 11 28	4 2	9 13	3 6	0 9	4 9	10 11 9	5 8	10 8	22 7

Fares between the following stations shall be as under:—

Between—	Single.		Return.	
	1st	2nd	1st	2nd
Spencer-street and Flinders-street
Footscray and Yarraville	5d.	4d.

Monthly. 1st 2nd
4s. 6d. 3s. 11d.
Periodical fares shall be charged for as for one (1) mile.

Ordinary Fares for Daily and Periodical Tickets between Melbourne and Suburban Stations—continued.

s. d. p.	Between Melbourne and—	Single.		Day Return.		Workmen's Day Retn.		Weekly Periodical.		Monthly.		Quarterly.		Half-Yearly.		Yearly.	
		1st	2nd	1st	2nd	1st	2nd	1st	2nd	1st	2nd	1st	2nd	1st	2nd	1st	2nd
		s. d. p.	s. d. p.	s. d. p.	s. d. p.	s. d. p.	s. d. p.	s. d. p.	s. d. p.	s. d. p.	s. d. p.	s. d. p.	s. d. p.	s. d. p.	s. d. p.	s. d. p.	s. d. p.
4	Middle Footscray	0 9 0	6 1 1	0 10 10	...	3 5	6 4 4	5 1 1	5 40 17	9 3 8	4 2 7 10	6 9 10	4 10 10	12 13 3	8 17 2		
4 1/2	West Footscray	0 9 0	8 1 2 1/2	0 10 10	...	3 5	6 10 5	3 1 1	7 21 0	11 3 13	5 2 16 5	6 19 6	5 7 3	13 12 11	9 2		
5 1/2	Tottenham	0 11 0	9 1 5 1/2	1 2 1/2	...	4 4	7 6 5	10 1 1	10 0 1	3 4 4	1 0 3 3	0 7 13 11	5 19 9	15 0 2	11 13 5		
7 1/2	Sunshine	0 1 1	0 1 8 1/2	1 4 1/2	...	4 4	7 6 5	10 1 1	10 0 1	3 4 4	1 0 3 3	0 7 13 11	5 19 9	15 0 2	11 13 5		
8 1/2	Albion	0 1 1	0 1 10 1/2	1 5 1/2	...	5 1	7 6 5	10 1 1	10 0 1	3 4 4	1 0 3 3	0 7 13 11	5 19 9	15 0 2	11 13 5		
11 1/2	St. Albans	0 1 5 1	2 2 2 1/2	2 10 1	...	5 5	8 2 6	6 1 1	12 8 1	6 0 4	8 23 10	2 8 7 5	6 13 3	16 6	12 19 9		
15 1/2	Sydenham	0 1 11 1	5 3 1 1/2	3 1 6 6	...	6 1	9 8 7	3 1 1	18 9 1	9 1 5	4 63 18	6 19 18	7 7 9	1 19 7	2 14 10 8		
20 1/2	Digger's Rest	0 2 6 1	10 3 9 1/2	2 10 1 1	...	6 10	11 2 8	4 2 4	9 1 13	3 6 0	9 4 9 10	11 9 5	8 10 8	22 7	5 16 12 9		
10	Ardeer	0 1 3 1	0 1 11 1/2	1 5 1/2	...	5 2	7 7 5	11 1 0	5 1 3	9 4 2	0 3 4 0	7 15 10	6 1 8	15 3	10 11 17 3		
11	Deer Park	0 1 4 1	1 1 2 1/2	1 10 1	...	5 5	8 1 6	5 1 1	12 2 1	5 6 4	6 10 3	8 10 8	4 11 6	10 9	16 1 7	12 15 0	
18 1/2	Rockbank	0 2 4 1	7 3 7 1/2	2 9 1 1	...	6 9	10 11 8	0 2 3	6 1 12	1 5 17	6 4 6 6	11 3 3 8	4 5 21	15 3	16 0 8		
21 1/2	Kensington	0 6 0	4 10 10	0 8	...	2 4	4 9 3	9 0 19	0 15	0 2 11	4 2 0 6	4 17 6	3 16 11	9 10	2 7 10 0		
2 1/2	Newmarket	0 6 0	4 10 10	0 8	...	2 10	4 9 3	9 0 19	0 15	0 2 11	4 2 0 6	4 17 6	3 16 11	9 10	2 7 10 0		
3 1/2	Ascot Vale	0 6 0	5 0 10 1/2	0 8 1/2	...	3 5	5 2 4	2 1 0	8 0 16	8 2 15	10 2 5 0	5 6 1 4	5 6 10	6 10 8 6 9			
4 1/2	Moonee Ponds	0 7 0	6 1 0 10 1/2	0 8 1/2	...	3 5	6 0 4	9 1 4	0 19	0 3 4	10 2 11 4	6 3 2 4	17 6 12 0	2 9 10 2			
5	Essendon	0 7 0	6 1 1 0 10 1/2	0 10 1/2	...	3 11	6 2 5	3 1 4	8 1 1	0 3 6	7 2 16 8	6 6 6 5	7 8 12	6 8 10 9 11			
5 1/2	Glenbervie	0 11 0	9 1 5 1 1/2	1 2 1/2	...	4 4	7 6 5	10 1 1	10 0 1	3 4 4	1 0 3 3	0 7 13 11	5 19 9	15 0 2	11 13 5		
6	North Essendon	0 11 0	9 1 5 1 1/2	1 2 1/2	...	4 4	7 6 5	10 1 1	10 0 1	3 4 4	1 0 3 3	0 7 13 11	5 19 9	15 0 2	11 13 5		
7	Pascoe Vale	0 1 0 1/2	11 1 8 1/2	1 4 1/2	...	4 8	7 6 5	10 1 1	10 0 1	3 4 4	1 0 3 3	0 7 13 11	5 19 9	15 0 2	11 13 5		
9	Glenroy	0 1 3 1	0 1 11 1/2	1 5 1/2	...	5 1	7 7 5	11 1 0	5 1 3	9 4 2	0 3 4 0	7 15 10	6 1 8	15 3	10 11 17 3		
10 1/2	Broadmeadows	0 1 4 1	0 2 1 1 8 1/2	1 8 1/2	...	5 5	7 9 6	5 1 1	10 11 1	5 6 4	3 6 3 8	10 7 18 9	6 10 9	15 9	6 12 15 0		
13 1/2	Somerton	0 1 9 1	4 2 8 1/2	1 1 6 5	...	11 6	5 11 8	11 6 10	1 15 9	1 7 2	4 16 6 3	13 5 9 3	6 19 6	17 17	5 13 12 1		
16 1/2	Craigieburn	0 2 2 1	5 3 5 1/2	2 5 1/2	...	6 3	10 7 7	7 2 2	5 1 10	3 5 14	5 4 1 9	10 17 4	7 15 4	21 3	9 15 2 11		
2	Macaulay	0 4 10	3 10 8 0	7	...	2 4	3 9 3	0 0 15	0 12	0 2 0	6 1 12 5	3 16 11	3 1 7	7 10 0	6 0 1		
2 1/2	Flemington Bridge	0 4 10	3 10 8 0	7	...	2 10	3 9 3	0 0 15	0 12	0 2 0	6 1 12 5	3 16 11	3 1 7	7 10 0	6 0 1		
3 1/2	Royal Park	0 4 10	3 10 8 0	7	...	3 9	3 9 3	0 0 15	0 12	0 2 0	6 1 12 5	3 16 11	3 1 7	7 10 0	6 0 1		

Ordinary Fares for Daily and Periodical Tickets between Melbourne and Suburban Stations—continued.

Miles	Between Melbourne and—	Single.		Day Return.		Workmen's		Weekly Periodical.		Monthly.		Quarterly.		Half-Yearly.		Yearly.					
		1st	2nd	1st	2nd	Day Retn.	Wkly.	1st	2nd	1st	2nd	1st	2nd	1st	2nd	1st	2nd				
																		s.	d.	s.	d.
4	South Brunswick	0 5	0 4	0 9	0 8	...	3 5	4 6	4 0	0 18	0 16	0 2	8 72	3 2	4 12	4 4	2 0	9 0	1 7	19 11	
4½	Brunswick ...	0 5	0 4	0 9	0 8	...	3 11	4 6	4 0	0 18	0 16	0 2	8 72	3 2	4 12	4 4	2 0	9 0	1 7	19 11	
5	Anstey ...	0 5	0 4	0 9	0 8	4 6	4 0	0 18	0 16	0 2	8 72	3 2	4 12	4 4	2 0	9 0	1 7	19 11	
5½	Moreland ...	0 5	0 4	0 9	0 8	4 6	4 0	0 18	0 16	0 2	8 72	3 2	4 12	4 4	2 0	9 0	1 7	19 11	
6	Coburg ...	0 5	0 4	0 9	0 8	4 6	4 0	0 18	0 16	0 2	8 72	3 2	4 12	4 4	2 0	9 0	1 7	19 11	
6½	Batman ...	0 6	0 5	0 10	0 10	4 7	1 0	80	18	4 2	15 102	9 6	5 6	1 4	14	1 10	6	10	9 3 6
7	Merlynston ...	0 10	0 7	1 4	1 1	4 8	6 7	1 0	6	40	19 83	11 12	13 1	6	15	1 5	0	10	13 3 5 9 16 8
7½	Fawkner ...	1 0	0 10	1 7	1 4	4 11	7 0	5 7	1 8	0 1	2 43	15 73	0 4	7 3	7 5	14	8	14 0 0 11 3 7	
8	Stopping Place No. 13	1 2	1 0	1 8	1 5	4 11	7 6	5 10	1 10	0 1	3 4	1 03	3 0	7 13	11 5	19	9	15 0 2 11 13 5	
9	Stopping Place No. 21	1 2	1 0	1 8	1 5	4 11	7 6	5 10	1 10	0 1	3 4	1 03	3 0	7 13	11 5	19	9	15 0 2 11 13 5	
9½	Stopping Place No. 23	1 2	1 0	1 8	1 5	4 11	7 6	5 10	1 10	0 1	3 4	1 03	3 0	7 13	11 5	19	9	15 0 2 11 13 5	
10	Campbellfield ...	1 2	1 0	1 8	1 5	4 11	7 6	5 10	1 10	0 1	3 4	1 03	3 0	7 13	11 5	19	9	15 0 2 11 13 5	
10½	Stopping Place No. 18	1 2	1 0	1 8	1 5	4 11	7 6	5 10	1 10	0 1	3 4	1 03	3 0	7 13	11 5	19	9	15 0 2 11 13 5	
11	Stopping Place No. 14	1 4	1 2	2 1	1 10	4 12	8 1	6 0	4 8	23	10 2	8 7	5 6	13 3	16 6	6	12	19 9	
11½	North Campbellfield	1 5	1 3	2 2	1 11	4 12	8 1	6 0	4 8	23	10 2	8 7	5 6	13 3	16 6	6	12	19 9	
4½	Rushall ...	0 5	0 4	0 9	0 7	...	3 5	4 6	3 6	0 18	0 14	0 2	8 71	17 10	4 12	4 3	11 11	9 0	1 7	0 3	
4½	Merri ...	0 5	0 4	0 9	0 7	...	3 5	4 6	3 6	0 18	0 14	0 2	8 71	17 10	4 12	4 3	11 11	9 0	1 7	0 3	
5	Northcote ...	0 5	0 4	0 9	0 7	4 6	3 6	0 18	0 14	0 2	8 71	17 10	4 12	4 3	11 11	9 0	1 7	0 3	
5½	Croxton ...	0 6	0 5	0 10	0 9	...	3 11	5 3	4 5	1 0	0 17	8 2	16 82	7 8	5 7	8 4	10 7	10 9	11 8	16 8	
6	Thornbury ...	0 6	0 5	0 11	0 10	4 5	9 5	0 1	3 0	1 0	3 2	12 14	0 5	18 0	5 2	7 11	10 1	10 0 0	
6½	Bell ...	0 6	0 5	0 11	0 10	4 8	6 2	5 0	1 4	8 1	0 0	3 6	6 5	2 7	12 6	8 10	0 0		
7	Preston ...	0 8	0 7	1 2	1 0	4 8	6 9	5 2	1 7	0 1	0 8	3 12	11 15	10 6	18 7	5 6	1 13	10 3 10 6 10	
7½	Regent ...	0 8	0 7	1 3	1 1	4 11	7 1	5 4	1 8	4 1	1 4	13 16	6 2	17 7	5 4	5 9	5 14	3 5 10 13 4	

Ordinary Fares for Daily and Periodical Tickets between Melbourne and Suburban Stations—continued.

Miles	Between Melbourne and—	Single.		Day Return.		Work-men's		Weekly Periodical.		Monthly.		Quarterly.		Half-Yearly.		Yearly.	
		1st	2nd	1st	2nd	Day Retn.	Wkly	1st	2nd	1st	2nd	1st	2nd	1st	2nd	1st	2nd
		s. d.	s. d.	s. d.	s. d.	s. d.	s. d.	s. d.	s. d.	s. d.	s. d.	s. d.	s. d.	s. d.	s. d.	s. d.	s. d.
8½	Reservoir ...	0 11½	0 9½	1 7½	1 5½	1 0 5	1 7 65	1 10 0	1 10 0	3 4 4	1 0 3	3 0 7	13 11 5	19 9 15	0 2 11	13 5	
10½	Keonpark ..	1 4 1	1 0 2	2 1 1	1 8 1	1 0 5	2 7 96	1 12 8	1 12 8	5 6 4	3 6 3	8 10 7	18 9 6	10 9 15	9 6 12	15 0	
11½	Thomastown	1 5 1	1 2 2	2 1 1	1 10 1	1 6 5	2 8 26	1 12 8	1 12 8	6 0 4	8 2 3	10 2 8	7 5 6	13 16 6	6 12 19	9 9 9	
11½	Stopping Place No. 8	1 5 1	1 3 2	2 4 1	1 11 1	1 6 5	8 8 46	1 13 3	1 13 3	6 0 4	9 10 3	10 2 8	10 8 6	13 16 12	9 12 19	9 9 9	
12	Stopping Place No. 77	1 5 1	1 3 2	2 4 1	1 11 1	1 6 5	8 8 46	1 13 3	1 13 3	6 0 4	9 10 3	10 2 8	10 8 6	13 16 12	9 12 19	9 9 9	
13	Epping ...	1 7 1	1 4 2	3 0 2	1 11 1	1 6 5	10 8 96	1 15 11	1 15 11	6 8 14	14 8 3	11 11 8	19 11 6	16 7 17	10 10 13	6 4 4	
14	Stopping Place No. 34	1 10 1	1 4 3	3 0 2	1 11 1	1 6 5	10 8 96	1 15 11	1 15 11	6 8 14	14 8 3	11 11 8	19 11 6	16 7 17	10 10 13	6 4 4	
15	Stopping Place No. 39	2 0 1	1 5 3	3 1 2	1 11 1	1 6 5	10 8 96	1 15 11	1 15 11	6 8 14	14 8 3	11 11 8	19 11 6	16 7 17	10 10 13	6 4 4	
16	South Morang	2 2 1	1 5 3	3 5 2	1 11 1	1 6 5	10 8 96	1 15 11	1 15 11	6 8 14	14 8 3	11 11 8	19 11 6	16 7 17	10 10 13	6 4 4	
17	Stopping Place No. 33	2 2 1	1 5 3	3 5 2	1 11 1	1 6 5	10 8 96	1 15 11	1 15 11	6 8 14	14 8 3	11 11 8	19 11 6	16 7 17	10 10 13	6 4 4	
18	Stopping Place No. 9	2 4 1	1 7 3	4 7 2	1 11 1	1 6 5	10 8 96	1 15 11	1 15 11	6 8 14	14 8 3	11 11 8	19 11 6	16 7 17	10 10 13	6 4 4	
20	Merrnda ...	2 6 1	1 10 3	5 2 10	1 11 1	1 6 5	10 8 96	1 15 11	1 15 11	6 8 14	14 8 3	11 11 8	19 11 6	16 7 17	10 10 13	6 4 4	
1	Jolimont ...	0 3 0	0 2 0	5 0 4	4 4 4	1 9 2	6 2 0	0 10 0	0 10 0	8 0 1	7 0 1	1 7 2	11 4 2	1 0 5	0 1 3	19 11	
1	West Richmond	0 5 0	0 4 0	9 0 7	7 7 7	2 4 4	3 3 5	0 17 0	0 17 0	13 8 2	5 11 1	16 11 4	7 3 3	10 2 8	10 2 6	16 10	
2	North Richmond	0 5 0	0 4 0	9 0 7	7 7 7	2 4 4	3 3 5	0 17 0	0 17 0	13 8 2	5 11 1	16 11 4	7 3 3	10 2 8	10 2 6	16 10	
2	Collingwood	0 5 0	0 4 0	9 0 7	7 7 7	2 4 4	3 3 5	0 17 0	0 17 0	13 8 2	5 11 1	16 11 4	7 3 3	10 2 8	10 2 6	16 10	
2	Victoria Park	0 5 0	0 4 0	9 0 7	7 7 7	2 4 4	3 3 5	0 17 0	0 17 0	13 8 2	5 11 1	16 11 4	7 3 3	10 2 8	10 2 6	16 10	
3	Clifton Hill ...	0 5 0	0 4 0	9 0 7	7 7 7	2 4 4	3 3 5	0 17 0	0 17 0	13 8 2	5 11 1	16 11 4	7 3 3	10 2 8	10 2 6	16 10	
3	Westgarth ...	0 5 0	0 4 0	9 0 7	7 7 7	2 4 4	3 3 5	0 17 0	0 17 0	13 8 2	5 11 1	16 11 4	7 3 3	10 2 8	10 2 6	16 10	
4	Dennis ...	0 7 0	0 5 1	0 10 10	10 7 6	3 11 6	0 4 10	1 4 0	1 4 0	19 5 3	4 10 2	12 5 6	3 2 4	13 7 12	0 2 9	14 3	
5	Fairfield ...	0 8 0	0 7 1	0 10 10	10 7 6	3 11 6	0 4 10	1 4 0	1 4 0	19 5 3	4 10 2	12 5 6	3 2 4	13 7 12	0 2 9	14 3	
5	Alphington ...	0 11 0	0 9 1	1 5 11	1 2 1	0 4 4	7 6 5	1 10 0	1 10 0	3 4 4	1 0 3	3 0 7	13 11 5	19 9 15	0 2 11	13 5	
6	Darebin ...	1 0 0	1 0 1	6 1 4	1 0 4	4 4 7	6 5 10	1 10 0	1 10 0	3 4 4	1 0 3	3 0 7	13 11 5	19 9 15	0 2 11	13 5	
6	Ivanhoe ...	1 0 0	1 0 1	6 1 4	1 0 4	4 4 7	6 5 10	1 10 0	1 10 0	3 4 4	1 0 3	3 0 7	13 11 5	19 9 15	0 2 11	13 5	
7	Eaglemont ...	1 1 1	1 0 1	8 1 4	1 0 4	4 4 7	6 5 10	1 10 0	1 10 0	3 4 4	1 0 3	3 0 7	13 11 5	19 9 15	0 2 11	13 5	
8	Heidelberg ...	1 1 1	1 0 1	8 1 4	1 0 4	4 4 7	6 5 10	1 10 0	1 10 0	3 4 4	1 0 3	3 0 7	13 11 5	19 9 15	0 2 11	13 5	
9	Rosanna ...	1 3 1	1 0 1	11 1 5	1 1 10	5 1 7	7 5 11	1 10 0	1 10 0	5 1 3	2 0 3	4 0 7	15 10 6	1 8 15	3 10 11	17 3	

Ordinary Fares for Daily and Periodical Tickets between Melbourne and Suburban Stations—continued.

Between Melbourne and—	Single.		Day Return.		Workmen's		Weekly Periodical		Monthly.		Quarterly.		Half-Yearly.		Yearly.		
	1st	2nd	1st	2nd	Day Retn.	Wkly.		1st	2nd	1st	2nd	1st	2nd	1st	2nd	1st	2nd
						s.	d.										
Macleod ...	1 4 1	0 12	1 1 8	1 1 8	1	0 5 2	7 9	6 5 1	10 11 5	6 4 3	6 3 8	10 9 15	6 10 9	15 9 6	12 15 0	10 11 5	6 12 15 0
Watsonia ...	1 5 1	2 2	2 1 10	2 1 10	1	6 5 8	8 2	6 6 1	12 8 1	6 0 4	8 23 10	2 8 7	5 6 13	3 16 6	6 12 19 9	9 9 6	6 12 19 9
Greensborough ...	1 9 1	4 2	8 2 1	8 2 1	1	6 5 11	8 11	6 10 1	15 9 1	7 2 4	16 63 13	5 9 3	6 19 6	17 17 5	13 12 1	13 12 1	5 13 12 1
Montmorency ...	1 10 1	4 3	0 2 2	0 2 2	1	6 6 1	9 5	7 0 1	17 6 1	7 10 5	1 33 15	2 9 12	5 7 2	11 18 15	1 13 18 8	8 8 8	1 13 18 8
Eltham ...	2 2 1	5 13	5 12 5	5 12 5	1	11 6 3	10 7	7 7 2	2 5 1	10 3 5	14 5 4	1 9 10	17 4 7	15 4 21	3 9 15 2 11	2 11	3 9 15 2 11
Diamond Creek ...	2 4 1	9 3	9 2 10	9 2 10	1	11 6 10	11 2	8 4 2	4 9 1	13 3 6	0 9 4	9 10 11	9 5 8	10 8 22	7 5 16 12 9	9 9	7 5 16 12 9
Hawthorn ...	0 6 0	4 10	10 8	10 8	...	2 10 5	0 4	0 1	0 0 16	0 2 14	0 2 3	2 5 2	7 4 2	0 10 0	0 7 19 11	0 7 19 11	0 7 19 11
Toorak ...	0 7 0	6 1	0 10	0 10	...	3 5 6	0 4	9 1	4 0 19	0 3 4	10 2 11	4 6 3	2 4 17	6 12 0	2 9 10 2	2 9 10 2	2 9 10 2
Armadale ...	0 9 0	7 1	3 1 0	3 1 0	0	10 3 11	6 9	4 1	1 7 0	19 8 3	12 11 2	13 1 6	18 7 5	0 10 13	10 3 9 16 8	8 8	0 10 13 10 3 9 16 8
Malvern ...	0 10 0	8 1	4 1 2	4 1 2	1	0 4 4	7 1	5 4 1	8 4 1	1 4 3	16 6 2	17 7 7	5 4 5	9 5 14	3 5 10 13 4	4 4	3 5 10 13 4
Caulfield ...	0 10 0	9 1	5 1 3	5 1 3	1	0 4 8	7 1	5 7 1	8 4 1	2 4 3	16 6 3	0 4 7	5 4 5	14 8 14	3 5 11 3 7	7 7	3 5 11 3 7
Carnegie ...	0 10 0	9 1	5 1 3	5 1 3	1	0 4 11	7 1	5 7 1	8 4 1	2 4 3	16 6 3	0 4 7	5 4 5	14 8 14	3 5 11 3 7	7 7	3 5 11 3 7
Murrumbeena ...	1 1 1	0 1	8 1 4	8 1 4	1	0 4 11	7 6	5 10 1	10 0 1	3 4 4	1 0 3	3 0 7	13 11 5	19 9 15	0 2 11 13 5	5 5	0 2 11 13 5
Hughesdale ...	1 3 1	0 1	11 1 5	11 1 5	1	0 5 1	7 7	5 11 1	10 5 1	3 9 4	2 0 3	4 0 7	15 10 6	1 8 15	3 10 11 17 3	3 3	1 8 15 3 10 11 17 3
Oakleigh ...	1 3 1	0 1	11 1 5	11 1 5	1	0 5 2	7 7	5 11 1	10 5 1	3 9 4	2 0 3	4 0 7	15 10 6	1 8 15	3 10 11 17 3	3 3	1 8 15 3 10 11 17 3
Eastoakleigh ...	1 4 1	0 2	1 1 8	1 1 8	1	0 5 5	7 9	6 5 1	10 11 5	6 4 3	6 3 8	10 7 18	9 6 10	9 15 9	6 12 15 0	0 0	6 12 15 0
Clayton ...	1 5 1	3 2	4 1 11	4 1 11	1	6 5 8	8 4	6 6 1	13 3 1	6 0 4	9 10 3	10 2 8	10 8 6	13 3 16	12 9 12 19 9	9 9	12 9 12 19 9
Springvale ...	1 10 1	4 3	0 2 2	0 2 2	1	6 6 1	9 5	7 0 1	17 6 1	7 10 5	1 33 15	2 9 12	5 7 2	11 18 15	1 13 18 8	8 8	1 13 18 8
Noble Park ...	2 2 1	5 13	5 12 5	5 12 5	1	11 6 3	10 7	7 7 2	2 5 1	10 3 5	14 5 4	1 9 10	17 4 7	15 4 21	3 9 15 2 11	2 11	3 9 15 2 11
Dandenong ...	2 4 1	7 13	7 2 9	7 2 9	1	11 6 9	10 11	8 0 2	3 6 1	12 1 5	17 6 4	6 6 11	3 3 8	4 5 21	15 3 16 0 8	0 8	4 5 21 15 3 16 0 8
Glenhuntly ...	0 10 0	9 1	5 1 3	5 1 3	1	0 4 11	7 1	5 7 1	8 4 1	2 4 3	16 6 3	0 4 7	5 4 5	14 8 14	3 5 11 3 7	7 7	3 5 11 3 7
Ormond ...	1 1 1	0 1	10 1 5	10 1 5	1	0 5 1	7 6	5 10 1	10 0 1	3 4 4	1 0 3	3 0 7	13 11 5	19 9 15	0 2 11 13 5	5 5	0 2 11 13 5
McKinnon ...	1 3 1	0 1	11 1 5	11 1 5	1	0 5 1	7 7	5 11 1	10 5 1	3 9 4	2 0 3	4 0 7	15 10 6	1 8 15	3 10 11 17 3	3 3	1 8 15 3 10 11 17 3
Bentleigh ...	1 3 1	0 1	11 1 5	11 1 5	1	0 5 2	7 7	5 11 1	10 5 1	3 9 4	2 0 3	4 0 7	15 10 6	1 8 15	3 10 11 17 3	3 3	1 8 15 3 10 11 17 3
Moorabbin ...	1 4 1	1 12	2 1 10	2 1 10	1	6 5 5	8 1	6 5 1	8 4 6	5 6 4	6 10 3	8 10 8	4 11 6	10 9 16	1 7 12 15 0	0 0	1 7 12 15 0
Highett ...	1 5 1	3 2	4 1 11	4 1 11	1	6 5 8	8 4	6 6 1	13 3 1	6 0 4	9 10 3	10 2 8	10 8 6	13 3 16	12 9 12 19 9	9 9	12 9 12 19 9

6

Ordinary Fares for Daily and Periodical Tickets between Melbourne and Suburban Stations—continued.

No.	Between Melbourne and—	Single.		Day Return.		Work-men's		Weekly Periodical		Monthly.		Quarterly.		Half-Yearly.		Yearly.						
		1st	2nd	1st	2nd	Day Retn.	Wkly.	1st	2nd	1st	2nd	1st	2nd	1st	2nd	1st	2nd					
		d. s.	d. s.	d. s.	d. s.	d. s.	d. s.	d. s.	d. s.	d. s.	d. s.	d. s.	d. s.	d. s.	d. s.	d. s.	d. s.	d. s.				
13½	Cheltenham	1 9½	4 2	8½	2 1	1	6 5	10 8	11 6	10 1	15 9	7 2	4 16	6 3	13 5	9 3	3 3	6 19	6 17	17 5	13 12	1
14½	Mentone	1 10½	4 3	0 2	2 1	1	6 5	11 9	5 7	0 1	17 6	1 7	10 5	1 33	15 2	9 12	5 7	2 11	18 15	1 13	18 8	8
15½	Parkdale	2 0	1 5	3 1	2 3	1	6 6	1 10	0 7	5 1	19 11	9 8	5 7	10 4	0 0	10 4	10 7	12 0	19 19	6 14	16 4	4
16½	Mordialloc	2 2	1 5	3 5	2 5	1	11 6	5 10	7 7	2 2	5 10	3 5	14 5	4 1	9 10	17 4	7 15	4 21	3 9	15 2	11	11
18	Aspendale	2 2	1 5	3 7	2 8	1	11 6	7 10	11 8	0 2	3 6	1 2	15 17	6 4	6 6	11 3	3 8	4 5	21 15	3 16	0 8	8
19	Edithvale	2 4	1 9	3 9	2 10	1	11 6	9 10	11 8	0 2	3 6	1 2	15 17	6 4	6 6	11 3	3 8	4 5	21 15	3 16	0 8	8
20	Chelsea	2 6	1 10	3 9	2 10	1	11 6	10 11	2 8	4 4	9 13	3 6	0 9	4 9	10 11	9 5	8 10	8 22	7 5	16 12	9 4	9
20½	Bonbeach	2 9	2 1	4 1	3 1	2	5 7	5 12	2 9	2 2	8 8	1 6	7 6	9 8	16 9	12 3	7 9	1 5	23 12	3 17	9 4	4
21½	Carrum	2 10	2 3	4 1	3 1	2	5 7	8 13	4 9	11 2	13 2	1 9	8 7	0 8	5 4	1 13	1 3	9 14	4 25	2 4	18 11	3
23½	Seaford	3 4	2 6	4 1	3 1	2	5 8	2 15	7 11	5 3	2 22	5 7	8 2	0 5	18 5	14 16	2 11	0 3	28 1	11 20	15 2	2
26½	Frankston	3 8	2 10	4 1	3 1	2	11 8	6 17	9 12	10 3	10 11	2 9	1 2	6 11	1 16	4 0	12 1	11 30	8 11	22 8	0 0	0
3	Heyington	0 7	0 5	0 11	0 8	...	3 5	5 9	4 2	1 3	0 0	16 8	3 2	12 5	0 1	5 18	0 4	5 6	11 10	1 8	6 9	9
4	Kooyong	0 8	0 7	1 2	0 11	0 10	3 11	6 4	4 1	1 1	5 4	0 19	8 3	8 4	2 13	1 6	9 10	5 0	10 12	13 3	9 16	8
5	Tooronga	0 10	0 8	1 4	1 2	1 10	3 11	7 1	5 0	1 8	4 1	0 0	3 16	6 2	14 0	7 5	4 5	2 7	14 3	5 10	0 0	0
5½	Gardiner	0 10	0 8	1 4	1 2	1 10	4 4	7 1	5 7	1 8	4 1	2 4	3 16	6 3	0 4	7 5	4 5	14 8	14 3	5 11	3 7	7
6	Glen Iris	0 10	0 9	1 4	1 3	1 10	4 4	7 1	5 7	1 8	4 1	2 4	3 16	6 3	0 4	7 5	4 5	14 8	14 3	5 11	3 7	7
7	Darling	0 11	0 10	1 6	1 3	1 10	4 8	7 1	5 7	1 8	4 1	2 4	3 16	6 3	0 4	7 5	4 5	14 8	14 3	5 11	3 7	7
7½	Eastmaivern	1 1	1 0	1 8	1 4	1 10	4 11	7 6	5 10	1 10	0 1	3 4	4 1	0 3	3 0	7 13	11 5	19 9	15 0	2 11	13 5	5
9	Holmesglen	1 3	1 0	1 11	1 5	1 0	5 1	7 7	5 11	1 10	5 1	3 9	4 2	0 3	4 0	7 15	10 6	1 8	15 3	10 11	17 3	3
10½	Jordanville	1 4	1 0	1 2	1 1	1 0	5 2	7 9	6 5	1 10	1 11	5 6	4 3	6 3	8 10	7 18	9 6	10 9	15 9	6 12	15 0	0
11	Mount Waverley	1 4	1 1	2 2	1 10	1 6	5 5	8 1	6 8	1 12	2 1	5 6	4 6	10 3	8 10	8 4	11 6	10 9	16 1	7 12	15 0	0
12½	Sydney	1 7	1 3	2 6	1 11	1 6	5 8	8 6	6 8	1 13	10 1	6 8	4 11	5 3	11 11	8 13	8 6	16 7	16 18	6 13	6 4	4
13	Glen Waverley	1 7	1 4	2 8	2 1	1 6	5 10	8 9	6 8	1 15	1 1	6 8	4 14	8 3	11 11	8 19	11 6	16 7	17 10	10 13	6 4	4
6½	Riversdale	0 9	0 8	1 3	1 1	1 0	4 8	7 0	5 7	1 8	0 1	2 4	3 15	7 3	0 4	7 3	7 5	14 8	14 0	0 11	3 7	7
6½	Willison	0 9	0 8	1 3	1 2	1 0	4 8	7 0	5 7	1 8	0 1	2 4	3 15	7 3	0 4	7 3	7 5	14 8	14 0	0 11	3 7	7

Ordinary Fares for Daily and Periodical Tickets between Melbourne and Suburban Stations—continued.

Miles	Between Melbourne and—		Single.		Day Return.		Work-men's Day Wkly.		Weekly Periodical		Monthly.		Quarterly.		Half-Yearly.		Yearly.				
	1st	2nd	1st	2nd	1st	2nd	1st	2nd	1st	2nd	1st	2nd	1st	2nd	1st	2nd	1st	2nd			
	s. d.	s. d.	s. d.	s. d.	s. d.	s. d.	s. d.	s. d.	s. d.	s. d.	s. d.	s. d.	s. d.	s. d.	s. d.	s. d.	s. d.	s. d.	s. d.		
7½	0 10	0 8½	3 1	2 1	0 4	1 1	5 7	1 5	7 1	8 4	1 2	4 3	16 6	3 0	7 5	4 5	14 8	14 3	5 11	3 7	
8	0 10	0 8½	3 1	2 1	0 4	1 1	5 7	1 5	7 1	8 4	1 2	4 3	16 6	3 0	7 5	4 5	14 8	14 3	5 11	3 7	
8½	1 0	0 10½	6 1	4 1	1 0	5 1	7 7	5 11	10 5	11 10	5 1	3 9	4 2	0 3	4 0	7 15	10 6	1 8	15 3	10 11	17 3
9½	1 1½	0 11	9½	7½	1 0	5 1	7 7	5 11	10 5	11 10	5 1	3 9	4 2	0 3	4 0	7 15	10 6	1 8	15 3	10 11	17 3
6½	0 9	0 8	1 3	1 1½	1 0	4 8	7 0	5 7	1 8	0 1	2 4	3 15	7 3	0 4	7 3	7 5	14 8	14 0	0 11	3 7	3 7
6¾	0 9	0 8	1 3	1 1½	1 0	4 8	7 0	5 7	1 8	0 1	2 4	3 15	7 3	0 4	7 3	7 5	14 8	14 0	0 11	3 7	3 7
7½	0 9	0 8	1 3	1 1½	1 0	4 8	7 0	5 7	1 8	0 1	2 4	3 15	7 3	0 4	7 3	7 5	14 8	14 0	0 11	3 7	3 7
8½	0 10	0 9½	5 1	3 1	1 0	4 11	7 1	5 7	1 8	0 1	2 4	3 16	6 3	0 4	7 5	4 5	14 8	14 3	5 11	3 7	3 7
4½	0 6	0 5	0 10	0 9	...	3 11	5 0	4 2	1 0	0 0	16 8	2 14	0 2	5 0	5 2	7 4	5 6	10 0	0 8	6 9	6 9
4¾	0 6	0 5	0 10	0 9	...	3 11	5 0	4 2	1 0	0 0	16 8	2 14	0 2	5 0	5 2	7 4	5 6	10 0	0 8	6 9	6 9
2	0 5	0 4	0 8	0 6½	...	2 4	3 7	3 0	14 4	0 12	0 18	8 12	5 5	3 13	6 3	1 7	7 3	4 6	0 1	0 1	0 1
2½	0 5	0 4	0 8	0 7	...	2 10	4 2	3 5	16 8	0 13	8 2	5 0	1 16	4 5	6 3	1 2	8 6	9 6	16 10	16 10	16 10
3½	0 6	0 5	0 10	0 8½	...	3 5	5 0	4 0	1 0	0 16	0 2	14 3	2 5	2 7	4 2	0 10	0 7	19 11	19 11	19 11	19 11
4½	0 7	0 6	0 11	0 10	...	3 5	5 9	4 9	1 3	0 19	0 3	12 11	4 5	18 0	4 17	6 11	10 1	9 10	2 2	2 2	2 2
4¾	0 7	0 6	0 11	0 10½	...	3 11	6 4	4 10	1 5	4 19	4 3	8 4	2 12	6 9	10 4	19 1	12 13	3 9	13 3	13 3	13 3
5½	0 8	0 7½	1 2	1 1	1 0	4 4	6 11	5 3	1 7	8 1	1 0	3 14	8 2	7 1	10 5	7 8	13 16	7 10	9 11	9 11	9 11
6	0 9	0 8	1 3	1 1½	1 0	4 4	6 11	5 3	1 7	8 1	1 0	3 14	8 2	7 1	10 5	7 8	13 16	7 10	9 11	9 11	9 11
6½	0 10	0 9½	5 1	3 1	1 0	4 8	7 1	5 7	1 8	0 1	2 4	3 16	6 3	0 4	7 5	4 5	14 8	14 3	5 11	3 7	3 7
7½	0 11	0 10	1 5½	1 3	1 0	4 8	7 1	5 7	1 8	0 1	2 4	3 16	6 3	0 4	7 5	4 5	14 8	14 3	5 11	3 7	3 7
7¾	0 11	0 10	1 5½	1 3	1 0	4 8	7 1	5 7	1 8	0 1	2 4	3 16	6 3	0 4	7 5	4 5	14 8	14 3	5 11	3 7	3 7
8½	1 3	1 0	1 11	1 5½	1 0	5 1	7 7	4 5	1 10	10 5	1 3	9 4	2 0	3 4	7 10	5 5	14 8	14 13	4 11	3 7	3 7
9½	1 4	1 1½	2 1	1 10	1 6	5 8	8 6	6 5	1 12	12 21	5 6	4 11	5 3	8 10	8 4	11 6	10 16	1 7	12 15	15 0	15 0
10½	1 7	1 3½	6 1	1 11½	1 6	5 8	8 6	6 5	1 12	12 21	5 6	4 11	5 3	8 10	8 4	11 6	10 16	1 7	12 15	15 0	15 0
12½	1 9	1 4	2 8	1 12	1 6	5 10	8 11	6 10	1 15	15 9	1 7	2 4	16 6	3 13	5 9	3 6	19 17	16 18	6 13	6 4	6 4
13½	2 0	1 5	3 12	1 12	1 6	6 11	10 0	7 5	1 19	19 11	9 8	5 7	10 4	0 10	4 10	7 12	0 19	19 6	14 16	16 4	16 4

Ordinary Fares for Daily and Periodical Tickets between Melbourne and Suburban Stations—continued.

No.	Between Melbourne and—	Single.		Day Return.		Workmen's		Weekly Periodical		Monthly.		Quarterly.		Half-Yearly.		Yearly.		
		1st	2nd	1st	2nd	Day Retn.	Wkly.	1st	2nd	1st	2nd	1st	2nd	1st	2nd	1st	2nd	
		s. d.	d. s.	d. s.	d. s.	s. d.	d. s.	d. s.	d. s.	d. s.	d. s.	d. s.	d. s.	d. s.	d. s.	d. s.	d. s.	d. s.
16½	Ringwood East	2 2	1 5½	3 5½	2 5½	1 11	6 5	10 7	7 7	2 5	10 3	15 4	5 4	10 17	4 7	15 4	21 3	15 2
18½	Croydon ...	2 4½	1 7½	3 7	2 9	1 11	6 9	10 11	8 0	2 3	6 1	12 15	17 6	6 11	3 3	8 4	21 15	16 0
16½	Heathmont	2 2	1 5½	3 5½	2 5½	1 11	6 5	10 7	7 7	2 5	10 3	15 4	5 4	10 17	4 7	15 4	21 3	15 2
18½	Bayswater...	2 4½	1 7½	3 7	2 9	1 11	6 9	10 11	8 0	2 3	6 1	12 15	17 6	6 11	3 3	8 4	21 15	16 0
20	Boronia ...	2 6	1 10½	3 9½	2 10½	1 11	6 10	11 2	8 4	2 4	9 1	13 3	16 0	9 10	11 9	5 8	22 7	16 12
1½	Montague	0 4	0 3	0 6½	0 5½	...	1 9	3 9	2 10	0 15	0 11	4 2	0 6	1 10	7 3	16 11	2 18	1 7
1½	North Port	0 5	0 4	0 9	0 7	...	2 4	4 2	3 5	0 16	8 0	13 8	2 5	0 1	16 11 4	5 6	3 10 2	8 6
2	Graham ...	0 5	0 4	0 9	0 7	...	2 4	4 2	3 5	0 16	8 0	13 8	2 5	0 1	16 11 4	5 6	3 10 2	8 6
2½	Port Melbourne	0 5	0 4	0 9	0 7	...	2 4	4 2	3 5	0 16	8 0	13 8	2 5	0 1	16 11 4	5 6	3 10 2	8 6
1½	South Melbourne	0 4	0 3	0 8	0 6	...	1 9	3 9	2 10	0 15	0 11	4 2	0 6	1 10	7 3	16 11	2 18	1 7
1½	Albert Park	0 4	0 3	0 8	0 6	...	2 4	3 9	3 0	15 0	12 0	2 0	6 1	12 5	3 16	11 3	1 7	10 0
2	Middle Park	0 4	0 3	0 8	0 6	...	3 5	4 3	3 0	15 0	12 0	2 0	6 1	12 5	3 16	11 3	1 7	10 0
3½	St. Kilda ...	0 4	0 3	0 8	0 7	...	3 5	4 3	3 0	15 0	12 0	2 0	6 1	12 5	3 16	11 3	1 7	10 0
1½	Richmond	0 3	0 2	0 6	0 4	...	2 0	3 0	2 4	0 12	0 9	4 1	12 5	2 3	1 7	2 7	10 6	0 1
2½	South Yarra	0 4	0 3	0 8	0 6	...	2 10	4 0	3 0	16 0	12 0	2 0	6 1	12 5	4 2	0 3	1 7	19 11
3½	Prahran ...	0 4	0 3	0 8	0 7	...	3 5	4 3	3 0	16 0	14 0	2 5	11 1	17 10	4 7	3 11	11 8	10 2
4	Windsor ...	0 4	0 3	0 8	0 7	...	3 5	4 3	3 0	16 0	14 0	2 5	11 1	17 10	4 7	3 11	11 8	10 2
5	Balaclava ...	0 6	0 5	0 11	0 10	...	3 11	5 7	4 11	2 4	0 19	8 3	0 4	2	8 7	2 0	6 4	12 4
5½	Ripponlea	0 7	0 6	1 1	1 0	...	4 4	6 6	5 2	1 6	0 1	0 8	3 10	2 2	15 10	6 13	4 5	6 1
6	Elsternwick	0 7	0 6	1 1	1 0	...	4 4	6 6	5 2	1 6	0 1	0 8	3 10	2 2	15 10	6 13	4 5	6 1
7	Gardenvale	0 11	10 10	1 6	1 3	...	4 8	7 6	5 10	1 10	0 1	3 4	1 0	3	7 13	11 5	19 9	15 0
7½	North Brighton	1 1	1 0	1 8	1 4	...	1 0	4 11	7 6	5 10	1 10	0 1	3 4	1 0	3	7 13	11 5	19 9
8½	Middle Brighton	1 1	1 0	1 8	1 4	...	1 0	4 11	7 6	5 10	1 10	0 1	3 4	1 0	3	7 13	11 5	19 9
9½	Brighton Beach	1 3	1 0	1 11	1 5	...	1 0	5 11	7 7	5 11	1 10	0 1	3 4	2 0	3	9 14	2 0	3
10½	Hampton ...	1 4	1 0	1 12	1 1	...	1 0	5 2	7 9	6 5	1 10	1 1	5	6	14 3	6	10 9	15 9
11½	Sandringham	1 5	1 2	2 2	1 10	...	1 6	5 5	8 2	6 6	1 12	8 1	6 0	4	8 2	3 16	6 13	6 6

(B) FARES ON ELECTRIC STREET RAILWAYS AND DEPARTMENTAL BUS SERVICES WHICH SHALL BE AS FOLLOW :—

1. St. Kilda-Brighton and Sandringham-Black Rock Electric Street Railways.

(i) Section Fares for a continuous journey—

	ST. KILDA-BRIGHTON.		SANDRINGHAM-BLACK ROCK.	
	Adults.	Children under 14.	Adults.	Children under 14.
	s. d.	s. d.	s. d.	s. d.
In any one section	0 2	0 1	0 3	0 1½
In any two adjoining sections ...	0 3½	0 2	0 4	0 2
In any three adjoining sections ...	0 4½	0 2
In any four adjoining sections ...	0 5½	0 3
In any five adjoining sections ...	0 6½	0 3

(ii) Periodical Tickets.

(a) Holders of railway periodical tickets (including Workmen's Weekly tickets) to or from St. Kilda or Sandringham respectively, may be issued periodical tickets, available for travel on the following Electric Street Railways, at the fares shown below :—

	Available during currency of rail ticket.			
	St. Kilda-Brighton		Sandringham-Black Rock	
	Weekly Ticket	Monthly Ticket	Weekly Ticket	Monthly Ticket
	14 single journeys.	60 single journeys.	14 single journeys.	60 single journeys.
	s. d.	s. d.	s. d.	s. d.
1st Section	1 6	6 0	1 9	7 0
2nd "	2 8	10 6	3 0	11 10
3rd "	3 5	13 9	—	—
4th "	3 11	15 6	—	—
5th "	4 3	17 0	—	—

(b) Persons who are NOT holders of a railway periodical ticket to St. Kilda may be issued periodical tickets available for travel on the St. Kilda-Brighton Electric Street Railway at the fares shown below :—

	Weekly Ticket— 14 Single journeys.	Monthly Ticket— 60 Single journeys.
	s. d.	s. d.
1st Section	1 9	6 9
2nd "	2 11	11 8
3rd "	3 11	15 6
4th "	4 4	17 2
5th "	4 10	19 2

(c) Concession Periodical Tickets for Students.

Male students under 18 years of age and female students under 19 years of age may be issued tickets available for 60 single journeys on the following Electric Street Railways at the fares shown below :—

	St. Kilda— Brighton.	Sandringham— Black Rock
	s. d.	s. d.
One section	3 0	...
Two adjoining sections	5 3	...
One section or two adjoining sections	5 11
Three adjoining sections	6 11	...
Four adjoining sections	7 9	...
Five adjoining sections	8 6	...

(iii) Combined First Class Rail and Electric Street Railway Fares.

Between Melbourne and the following sections on St. Kilda—Brighton Electric Street Railway.	First Class		Proportions.			
			St. Kilda Line.		Electric Street Railway.	
	Single.	Return.	Single.	Return.	Single.	Return.
First Section	s. d.	s. d.	s. d.	s. d.	s. d.	s. d.
Adult	0 5	0 10	0 3½	0 7	0 1½	0 3
Child	0 2½	0 5	0 1½	0 3	0 1	0 2
Second Section—						
Adult	0 7	1 2	0 4	0 8	0 3	0 6
Child	0 3½	0 7	0 2	0 4	0 1½	0 3
Third & Fourth Sections—						
Adult	0 8	1 4	0 4	0 8	0 4	0 8
Child	0 4	0 8	0 2	0 4	0 2	0 4
Fifth Section—						
Adult	0 9	1 6	0 4	0 8	0 5	0 10
Child	0 4½	0 9	0 2	0 4	0 2½	0 5

Fares for combined tickets from Melbourne (Second Class) and from South Melbourne, Albert Park and Middle Park (First and Second Class), shall be the ordinary rail fare to St. Kilda plus the Electric Street Railway proportion shown above.

(iv) Minimum Fares on Through Trams.

When a tram is appointed for the conveyance of passengers to points beyond the first and second sections respectively the minimum fares shall be :—

ST. KILDA—BRIGHTON.	Adults.	Children under 14 years of age.
	s. d.	s. d.
(1) From St. Kilda Station to Dickens-street or any portion of that section	0 3½	0 2
(2) From St. Kilda Station to Vautier-street or any portion of these sections	0 4½	0 2
(3) Passengers holding combined rail and tram tickets, books of tickets or concessional tickets, to either of the above sections	0 3½	0 2

(v) **Circular ticket fares for the round journey by Rail and Electric Street Railway—**

Circular tickets issued at :—	Fares. First Class Only.	
	Adults.	Children under 14 years of age.
	s. d.	s. d.
Spencer-street	} 2 0	} 1 0
All stations Flinders-street to Brighton Beach ...		
All stations South Melbourne to St. Kilda ...		
On the Electric Cars		
Electric Street Railway proportion	0 5	0 2½

2. Departmental Road Motor Service between Sandringham and Beaumaris.

(i) **Section fares for a continuous journey—**

Between—	Edward St.	Balcombe Rd.	Hayden Rd.	Beaumaris (Keys St.)
	s. d.	s. d.	s. d.	s. d.
Sandringham	0 4	0 5	0 6	0 7
Edward St.	0 4	0 5	0 6
Balcombe Rd.	0 3	0 4
Hayden Rd.	0 3

The fares for children 4 and under 14 years shall be half the above adult fares.

(ii) **Periodical Tickets issued to Railway Periodical Ticket holders.**

Fares for weekly tickets, available for fourteen (14) single journeys, issued to holders of railway periodical tickets to or from Sandringham (including Workmen's Weekly tickets).

Fares for monthly tickets, available for sixty (60) single journeys during the month of issue only, issued to holders of periodical tickets to or from Sandringham (Weekly tickets excepted).

Between Sandringham and	Weekly Fare.	Monthly Fare.
	s. d.	s. d.
First Section	3 0	11 10
Second Section	3 10	15 4
Third Section	4 8	18 9
Fourth Section	5 7	22 2

(iii) **Concession Periodical Tickets for Students.**

Fares for periodical tickets providing for sixty (60) single journeys issued to male students under 18 years of age and female students under 19 years of age—

	s. d.
One Section	5 11
Two adjoining Sections	7 8
Three adjoining Sections	9 5
Four adjoining Sections	11 1

Departmental Road Motor Service between East Camberwell and East Kew.

Section fares for a continuous journey—

Between—	East Camberwell.	Shenley.	Roystead.	Deepdene.	Corner Eyre-st. and Burke road.	East Kew.
	s. d.	s. d.	s. d.	s. d.	s. d.	s. d.
East Camberwell	0 3	0 3	0 4	0 5	0 5
Shenley ...	0 3	...	0 3	0 3	0 4	0 5
Roystead ...	0 3	0 3	...	0 3	0 3	0 4
Deepdene ...	0 4	0 3	0 3	...	0 3	0 3
Corner Eyre-street and Burke-road ...	0 5	0 4	0 3	0 3	...	0 3
East Kew ...	0 5	0 5	0 4	0 3	0 3	...

The fares for children 4 and under 14 years shall be half the above adult fares.

4. Departmental Road Motor Service between High-street, Kew, and Hawthorn Railway Station—

Single Fare.

Adult	d. 3
Children			
4 and under 14 years	1½

(C) FARES VIA CLIFTON HILL.
 The fares between stations on the Clifton Hill, Preston, Heidelberg and Fawkner lines which shall be computed for the journey by the route travelled.

(D) PERIODICAL TICKETS ISSUED TO MALES AND FEMALES IN EMPLOYMENT AT CONCESSION FARES—
 The concession fares and conditions provided shall apply to such persons whose total earnings from all sources do not exceed a rate equivalent to 40/- per week during the currency of the ticket issued to them at such concession fares.

(E) FARES ON THE MELBOURNE-FRANKSTON LINE.
 (1) Suburban fares and conditions for traffic which originates on the Melbourne-Frankston line and terminates on such line are extended from the present radius of 20 miles to 27 miles from Melbourne.
 For distances 20-27 miles, the fares shall be as under :—

Miles.	Single.		Workmen's Day Retn.				Weekly Periodical		Monthly.		Quarterly.		Half-Yearly.		Yearly.	
	1st	2nd	1st		2nd		1st	2nd	1st	2nd	1st	2nd	1st	2nd	1st	2nd
			s. d.	s. d.	s. d.	s. d.										
20½	2 9	2 1	4 1	3 1	2 5	7 5	12 2	9 2	2 8 8	1 16 7	6 9 8	4 16 9	12 3 7	9 1 5	23 12 3	17 9 4
21	2 9	2 1	4 1	3 1	2 5	7 5	12 2	9 2	2 8 8	1 16 7	6 9 8	4 16 9	12 3 7	9 1 5	23 12 3	17 9 4
21½	2 10	2 3	4 1	3 1	2 5	7 8	13 4	9 11	2 13 2	1 19 8	7 0 8	5 4 1	13 1 3	9 14 4	25 2 4	18 11 3
22	2 10	2 3	4 1	3 1	2 5	7 8	13 4	9 11	2 13 2	1 19 8	7 0 8	5 4 1	13 1 3	9 14 4	25 2 4	18 11 3
22½	3 0	2 4	4 1	3 1	2 5	7 9	14 5	10 8	2 17 8	2 2 9	7 11 4	5 11 5	13 18 9	10 7 3	26 12 2	19 13 2
23	3 1	2 4	4 1	3 1	2 5	7 9	14 5	10 8	2 17 8	2 2 9	7 11 4	5 11 5	13 18 9	10 7 3	26 12 2	19 13 2
23½	3 3	2 5	4 1	3 1	2 5	8 2	15 7	11 5	3 2 2	2 5 7	8 2 0	5 18 5	14 16 2	11 0 3	28 1 11	20 15 2
24	3 4	2 6	4 1	3 1	2 5	8 2	15 7	11 5	3 2 2	2 5 7	8 2 0	5 18 5	14 16 2	11 0 3	28 1 11	20 15 2
24½	3 5	2 7	4 1	3 1	2 5	8 4	16 6	12 0	3 5 10	2 8 1	8 11 0	6 4 0	15 10 3	11 10 4	29 4 9	21 11 9
25	3 5	2 8	4 1	3 1	2 5	8 4	16 6	12 0	3 5 10	2 8 1	8 11 0	6 4 0	15 10 3	11 10 4	29 4 9	21 11 9
25½	3 6	2 9	4 1	3 1	2 11	8 5	17 5	12 8	3 9 9	2 10 8	8 19 9	6 9 8	16 2 11	12 0 6	30 7 6	22 6 1
26	3 7	2 9	4 1	3 1	2 11	8 5	17 5	12 8	3 9 9	2 10 8	8 19 9	6 9 8	16 2 11	12 0 6	30 7 6	22 6 1
26½	3 8	2 10	4 1	3 1	2 11	8 6	17 9	12 10	3 10 11	2 11 2	9 1 2	6 11 1	16 4 0	12 1 11	30 8 11	22 8 0
27	3 8	2 10	4 1	3 1	2 11	8 6	17 9	12 10	3 10 11	2 11 2	9 1 2	6 11 1	16 4 0	12 1 11	30 8 11	22 8 0

- (II) The fares between Melbourne and Frankston for return tickets available for return for one month which shall be—

		s. d.	
1st Class	4	9
2nd Class	3	10

- (III) Week-end return fares which shall be as follows :—

		1st Class		2nd Class	
From	To	s.	d.	s.	d.
Melbourne and suburban stations on the Melbourne-Frankston line	Bonbeach	4	1	3	1
	Carrum	4	1	3	1
	Seaford	4	2	3	3

(F) The fares for Country Day Return Tickets which shall be issued at such times and under such conditions as may be determined by the Commissioners which shall be the single fares in force on the 1st day of September 1949 with an addition thereto of an amount equivalent to 5 per centum of such single fares.

2. PASSENGER TRAIN RATES AND CHARGES.

On and after the First day of September 1949 the amounts of the several charges and rates for the carriage of parcels live stock and excess luggage over the Victorian Railways by passenger train and the charges for other services shall be except as is hereinafter provided the several charges and rates in force for the said carriage and for other services on the Thirty-first day of August 1949 with an addition thereto in each case of an amount equivalent to fifteen (15) per centum of each charge or rate as the case may be in force for the said carriage and for other services on the latter day.

The exceptions hereinbefore referred to are :—

(a) The charges for the carriage of the following commodities which shall be computed at the full parcels rates in force for the said carriage on 1st day of September 1949 :—

Bacon	Honey
Bait for fishing	Ice Carba (dry)
Bassinettes (accompanied)	Lard
Boats, Rover (accompanied)	Leaves (green)
Bone	Linotype Slugs
Butter	Margarine
Butterine	Meat (cooked, salted or dried)
Cake	Melons
Catering Material (returned)	Milk (concentrated liquid)
Cheese	Motor Cycles (accompanied)
Cuttings	Moss for floral purposes
Dripping	Mushrooms
Eggs	Nuts
Egg Pulp	Oysters (in tins or bottles)
Ferns	Pastry
Films Cinematograph	Pigeons (dead)
(on return journey)	Plants and Seedlings
Fish (smoked, salted, dried or cured)	Poultry (dead, fresh, chilled or frozen)
Food, prepared, including Butchers' Small Goods (fresh sausages excepted)	Rabbits (dead, fresh, chilled or frozen)
Fruit, pulped or dried	Stationery and Printed Matter
Game (dead)	Stereotype Plates
Grass (Pampas)	Stereo Matrix
Ham	Sidecars and trailers (accompanied)
Hares (dead)	Wattle Blossoms and Branches
Hawkers' baskets and packages (accompanied)	Wreathings (green)

(b) The rates for the carriage of the following items shall be computed at the undermentioned proportions of the full rates specified in force on 1st day of September 1949 :—

Article	Rate to be charged
Advertising Matter (Commercial), for display on railway premises	} Half Parcels rates
"Cash on Delivery" parcels, refused by consignee, when returned to the original sending station	
Ice Cream and Ice Cream "Mix"	
Newspapers	} Quarter Parcels rates
Bicycles, racing, when returned from country race meetings	} Half Tariff rates
Trotting Sulkies, when returned from race meetings	
Dogs when returned from recognised Coursing Meetings	

(c) Baskets for homing pigeons, and luncheon, and coffin containers, metal, when returned empty which shall be charged the full Empty Container rates.

(d) Horses, racing, hunters, Police and Polo Ponies when sent by rail to and returning from Race Meetings, Hunting, Public Demonstrations and Polo Matches respectively which shall be charged Full Tariff Rates on forward journey and half such rates on return journey.

(e) **Property Lost by Passengers.**

The following charges shall be collected in connection with such Lost Property :—

- (i) An enquiry fee of 6d.
- (ii) Any cost of telegrams incurred.
- (iii) Cloakroom charges, when placed in Lost Property Office.

(f) **Rates for the Carriage by Passenger Train of all descriptions of Returned Empty Containers :—**

Empty Containers which were carried full on the forward journey at passenger train rates may be returned to the original sending station at the following rates—

Not exceeding 8 cubic feet	For distances not exceeding Miles			Each additional 100 miles or part thereof
	50	101	200	
	s. d.	s. d.	s. d.	s. d.
Ice Cream Containers ...	0 7	0 10	1 4	0 6
Other Empty Containers	0 5	0 7	0 11	0 4

Each Empty Container shall be charged for separately.

Returned empty containers, in bundles, shall be charged ordinary parcels rates, unless cheaper to charge for each container separately.

(g) **Single Package Rates.**

The rates for the carriage of single cases of fresh fruit and tomatoes and single tins of berry fruit shall apply only to a single case or tin respectively for the consignee's use and which is not to be subsequently offered for sale.

3. GOODS AND LIVE STOCK RATES AND CHARGES BY GOODS TRAIN.

On and after the First day of September 1949 the amounts of the several charges and rates for the carriage of goods and live stock over the Victorian Railways by Goods train and the charges for other services shall be except as is hereinafter provided the several charges and rates in force for the said carriage and for other services on the Thirty-first day of August 1949 with an addition thereto in each case of an amount equivalent to thirty three and one third (33 $\frac{1}{3}$) per centum of each charge or rate as the case may be in force for the said carriage and for other services on the latter day.

The exceptions hereinbefore referred to are :—

- (a) The rates for the carriage of goods specified hereunder which shall be the rates in force for the said carriage on the 31st day of August 1949 with an addition thereto of an amount equivalent to the following appropriate percentage of the respective rates in force for the said carriage on the said day :—

Goods classified under :—	Percentage
Classes 'A,' 'AA,' 'B,' 'BB,' 'C,' '1' and '2' and the Tariff for 'Smalls'	25
Special rates which are lower than the ordinary tariff rates provided in any Freight Contract ...	25
Rates for the carriage of Wool	25

- (b) Tariff for 'Smalls.'

Where goods are chargeable under the Tariff for 'Smalls,' a separate charge under such Tariff shall be imposed for the carriage of the goods shown on each consignment note.

- (c) Rates for the carriage by Goods train of empty containers new or returned, which shall be :—

	Rates per each Package For distances not exceeding Miles				
	50	101	200	300	400
	s. d.	s. d.	s. d.	s. d.	s. d.
(i) Empty containers not otherwise specified new or returned empty of all kinds (including cases, tins, crates, baskets, coops, cartons or jars), when sent singly, tied together in bundles, or in cases, crates or bags—					
(a) not exceeding 8 cubic feet	0 4	0 6	0 9	1 0	1 3
(b) exceeding 8 cubic feet and not exceeding 15 cubic feet	0 6	0 9	1 3	1 6	2 0
(c) exceeding 15 cubic feet and not exceeding 25 cubic feet	0 8	1 0	1 6	2 0	2 6
(d) exceeding 25 cubic feet	1 4	2 0	3 0	4 0	5 0

	Rates per each Package For distances not exceeding Miles				
	50	101	200	300	400
	s. d.	s. d.	s. d.	s. d.	s. d.
(ii) Empty containers in truckloads, minimum 30 cwt., as under : Butter, cheese and egg boxes, tins, beer cases and crates shall be charged at Class 'B' rate. All other containers specified in sub-clause (i) shall be charged at Class 'A' rate.					
(iii) Egg boxes	0 2	0 3	0 4	0 6	0 8
(iv) Milk or cream cans or billies	0 4	0 6	0 9	1 0	1 3

(v) Barrels and Casks as under :—

	For distances not exceeding Miles				
	101 Each s. d.	200 Each s. d.	300 Each s. d.	400 Each s. d.	500 Each s. d.
Demijohns in wickerwork } Kegs not over 10 gallons }	0 9	0 9	1 4	1 9	2 5
Barrels ... } Quarter Casks ... } Kilderkins ... } Octaves ... } Casks, egg, small ... }	1 4	1 9	2 5	2 9	3 5
Hogsheads ...	1 9	2 5	3 5	4 9	5 9
Pipes, tallow* ... } " wine* ... } Casks, large, for crockery } Puncheons, wine* } " tallow* }	2 5	3 5	4 9	5 9	6 9
Drums, capacity not exceeding—					
90 gallons ...	3 1	4 5	6 1	7 5	8 8
70 " ...	2 5	3 5	4 9	5 9	6 9
45 " ...	1 4	1 9	2 5	2 9	3 5
25 " ...	1 0	1 4	2 0	2 4	3 1
* Over 112 gallons capacity, same as Butts.					
(vi) Cylinders, Ammonia or Carbonic Gas ...	2 4	4 7	8 3	10 7	12 8

- (vii) Butts, vats (Wooden), Pipes, N.O.S., set up new or returned empty— Class
- | | | |
|-----------------------------------|-------------|----------------|
| Not over 100 gallons capacity ... | ' C ' | Smalls Minimum |
| 101–400 gallons capacity ... | ' 2 ' | " |
| Over 400 gallons capacity ... | ' 2 ' + 50% | " |
- (viii) Piano and Motor Body Cases ... ' 2 ' "
- (ix) Transport Boxes, Furniture and sling vans without wheels ... ' 1 ' "

(d) Rates for Grain, Flour, Bran, Pollard, and Compressed Fodder for export, and Grain forwarded at the end of the Export Season from Melbourne or any Suburban Station, or from Williamstown Pier, Port Melbourne Pier or the Victoria Dock.

The rates for the carriage of these commodities shall be the ordinary tariff rates and conditions.

(e) Rates for Sand.

The charges for the carriage of sand shall be computed under Class " M " rate and conditions.

(f) Rates for Galvanised Iron Tanks.

The charge for the carriage of galvanised iron tanks shall be computed at Class " C " rate " Smalls Minimum " on the measurement basis of 140 cubic feet to the ton.

(g) Rates for single packages of country produce.

The special rates for the carriage of single packages of country produce shall apply only to a single package for the consignee's use and which is not to be subsequently offered for sale.

(h) Rates for the Darling River district.

The rates for the carriage of goods for the Darling River District (New South Wales), between Melbourne, Geelong, Ballarat, Bendigo, Echuca, Kerang, Swan Hill, Mildura, Merbein and Yelta, shall be the ordinary tariff rates and conditions.

(i) Rates for the carriage of Theatrical Scenery, Circus material, Merry-go-rounds and Switchback Railways, Aeroplanes and Gliders.

The rates shall be :—

	Per Mile	
	£	s. d.
Per 4-wheeled railway truck 0	1 8
Per "QR" bogie railway truck 0	3 4
Per "Q," "E," or "S" railway truck 0	5 0
Minimum charge 2	13 4

(j) Live Stock rates

Full tariff rates in force on 1st day of September 1949 on the forward journey and half such rates on the return journey shall be charged for the carriage of the following descriptions of live stock in connection with the undermentioned events :—

- Hunters' horses taking part in hunting meetings ;
- Polo ponies engaged in Polo Matches ;
- Horses forwarded to Parades, Gymkhanas or Race Meetings ;
- Police horses used in connection with public demonstrations ;
- Brood mares and stallions travelling for breeding purposes (also Grooms' ponies accompanying stallions) ;
- Boars, Sows, Rams, Ewes, Bulls or Cows travelling for breeding purposes.

4. Any subsisting By-Law the provisions of which are inconsistent with the provisions of this By-Law is to the extent of such inconsistency hereby repealed.

In witness whereof the Common Seal of the Victorian Railways Commissioners was affixed hereto this twenty-second day of August, 1949 in the presence of—

N. C. HARRIS
R. G. WISHART
A. G. FLETCHER

VICTORIAN RAILWAYS COMMISSIONERS.

Confirmed by the Governor in Council
the 23rd August, 1949.

A. MAHLSTEDT.
Clerk of the Executive Council.

[The body of the document is extremely faint and illegible. It appears to contain several paragraphs of text, but the content cannot be discerned.]



VICTORIA GOVERNMENT GAZETTE.

Published by Authority.

[Registered at the General Post Office, Melbourne, for transmission by post as a newspaper.]

No. 734]

WEDNESDAY, AUGUST 24.

[1949

GAS REGULATION ACT 1933.

At the Executive Council Chamber, Melbourne, the
twenty-fourth day of August, 1949.

PRESENT:

His Excellency the Lieutenant-Governor of Victoria.
Mr. Kennedy | Brigadier Tovell.
Mr. McDonald |

REGULATIONS.

WHEREAS by a Proclamation dated the twenty-first day of June, 1949, His Excellency the Lieutenant-Governor of the State of Victoria, by and with the advice of the Executive Council thereof, declared that on and after the date of the publication in the *Government Gazette* of such Proclamation, the provisions of section 33 of the *Gas Regulation Act 1933* should have effect: And whereas the said Proclamation was published in the *Government Gazette* of the twenty-first day of June, 1949: Now therefore His Excellency the Lieutenant-Governor of the said State, by and with the advice of the Executive Council thereof, and in pursuance of the powers conferred by section 33 of the said Act, doth hereby make the following Regulations (that is to say):—

1. (1) These Regulations may be cited as the "Gas Regulation (Emergency Powers) Regulations (No. 68)," and shall apply to and have operation throughout the areas supplied with gas by the Metropolitan Gas Company (including its Heidelberg works), the Colonial Gas Association Limited (as to its Box Hill, Footscray, Frankston, and Oakleigh works), the Brighton Gas Company Limited, the Mordialloc City Council Gas Works, the Ballarat Gas Company, the Bendigo Gas Company, the Geelong Gas Company, the Warrnambool City Council Gas Works, and the Gas Supply Company Limited (in respect of the Colac and Sale portions of its undertaking).

(2) These Regulations shall take effect on the twenty-fifth day of August, 1949.

2. The Gas Regulation (Emergency Powers) Regulations (No. 67) are hereby revoked.

3. In these Regulations—

"Gas" means gas supplied by a Gas Undertaker, pursuant to the provisions of the *Gas Regulation Act 1933*.

"Gas Undertaker" shall have the same meaning as "Undertaker," as defined by the *Gas Regulation Act 1933*.

4. During the period commencing on the twenty-fifth day of August and ending on the twenty-eighth day of August, 1949, no person shall use gas for any purpose whatsoever on any day, except between the hours hereinafter specified in respect of such day (that is to say):—

(i) In the case of Thursday, the twenty-fifth day, and Friday, the twenty-sixth day of August, 1949—
(a) 7 a.m. and 7.30 a.m.;
(b) 5.30 p.m. and 6.30 p.m.

(ii) In the case of Saturday, the twenty-seventh day, and Sunday, the twenty-eighth day of August, 1949—

11 a.m. and 1 p.m.

5. During the period commencing on the twenty-ninth day of August and ending on the first day of September, 1949, no person shall use gas for any purpose whatsoever on any day, except between the hours hereinafter specified (that is to say):—

(a) 6.30 a.m. and 7.30 a.m.;
(b) 12 noon and 1 p.m.;
(c) 5 p.m. and 6.30 p.m.

6. The restrictions contained in Regulation 5 hereof shall not apply to persons using gas for pilot lights or by-pass flames on automatic appliances after the hour of 6.30 a.m. on the twenty-ninth day of August, 1949.

7. During the operation of these Regulations, and notwithstanding anything contained in the *Gas Regulation Act 1933*, one testing of gas on any day at any testing place shall be deemed to be a complete testing of the calorific value of the gas supplied at that testing place on that day.

8. It shall be lawful for any inspector or other person, upon producing an authority issued to him by a Gas Undertaker referred to in Regulation 1 hereof, to enter any premises to which gas is supplied by such Gas Undertaker for the purpose of determining whether the provisions of these Regulations are being observed.

9. No person shall obstruct any such inspector or other person in the course of his duties.

10. Any person who offends against these Regulations shall be liable to a penalty of not more than Fifty pounds (£50), and in the case of a continuing offence a further penalty of not more than Five pounds (£5) for each day on which any offence is continued after conviction or order of any Court.

And the Honorable William Watt Leggatt, His Majesty's Chief Secretary for the State of Victoria, shall give the necessary directions herein accordingly.

A. MAHLSTEDT,
Clerk of the Executive Council.

By Authority: J. J. GOURLEY, Government Printer, Melbourne.

[4951]



VICTORIA
GOVERNMENT GAZETTE.

Published by Authority.

[Registered at the General Post Office, Melbourne, for transmission by post as a newspaper.]

No. 735]

WEDNESDAY, AUGUST 24.

[1949

DETERMINATION OF THE INDUSTRIAL APPEALS COURT.

IN THE INDUSTRIAL APPEALS COURT:

IN THE MATTER of the *Factories and Shops Act* 1928-1941.

AND

IN THE MATTER of a Determination made by the Commercial Clerks Board and dated the 8th day of July, 1949.

AND

IN THE MATTER of an Appeal against the said Determination.

Before the Industrial Appeals Court (Judge Gamble, K. H. Boykett Esq., and J. V. Stout Esq.)

Monday the 1st day of August, 1949.

Having heard the above-mentioned Appeal, this Court doth allow the Appeal and Doth Order—

(a) That the said Determination be varied in the following two ways, namely:—

(1) By, after, the expression "work by any", in Clause (7) of the said Determination, inserting the word "such"; and

(2) By adding to Clause (7) of the said Determination the following proviso:—

"Provided that such standing down shall not be deemed a break in the continuity of the employment of the employee for the purpose of any rights under this Determination or any variation or modification thereto"

(b) That this Determination of the Industrial Appeals Court shall be operative as on and from the 1st day of August, 1949.

By Order of the Court,

REX L. GECIL,
Registrar.

By Authority: J. J. GOURLEY, Government Printer, Melbourne

No. 735.—5560/49.—PRICE 3D.

