



VICTORIA GOVERNMENT GAZETTE.

Published by Authority.

[Registered at the General Post Office, Melbourne, for transmission by post as a newspaper.]

No. 668]

WEDNESDAY, JULY 4.

[1951

ACT OF PARLIAMENT.

PROCLAMATION

By the Lieutenant-Governor, as Deputy for His Excellency the Governor of the State of Victoria and its Dependencies in the Commonwealth of Australia, &c., &c., &c.

I, THE Lieutenant-Governor, as Deputy for the Governor of the State of Victoria, in the Commonwealth of Australia, do hereby declare that I have this day assented, in His Majesty's name, to the Bill passed by the Parliament of the said State, the title whereof is hereunder set forth, that is to say:—

No. 5529.—“An Act to amend section 16 of the *State Electricity Commission (Financial) Act 1937*.”

Given under my Hand and the Seal of the State of Victoria aforesaid, at Melbourne, this third day of July, in the year of our Lord One thousand nine hundred and fifty-one, and in the fifteenth year of the reign of His Majesty King George VI.

(L.S.) E. F. HERRING.

By His Excellency's Command,
JOHN G. B. McDONALD,
Premier.

GOD SAVE THE KING!

ACT OF PARLIAMENT.

PROCLAMATION

By His Excellency the Governor of the State of Victoria and its Dependencies in the Commonwealth of Australia, &c., &c., &c.

I, THE Governor of the State of Victoria, in the Commonwealth of Australia, do hereby declare that I have this day assented, in His Majesty's name, to the Bill passed by the Parliament of the said State, the title whereof is hereunder set forth, that is to say:—

No. 5528. “An Act to apply out of the Consolidated Revenue the sum of Nine million four hundred and ninety thousand four hundred and thirty-two pounds to the service of the Year One thousand nine hundred and fifty-one and One thousand nine hundred and fifty-two.”

No. 668.—6296/51.—PRICE 6d.; Quarterly, 8s. 9d.; Half-Yearly, 17s. 6d.; Yearly, £1 15s.

Given under my Hand and the Seal of the State of Victoria aforesaid, at Melbourne, this Twenty-eighth day of June, in the year of our Lord One thousand nine hundred and fifty-one, and in the fifteenth year of the reign of His Majesty King George VI.

(L.S.) DALLAS BROOKS.

By His Excellency's Command,
JOHN G. B. McDONALD,
Premier.

GOD SAVE THE KING!

Victorian Inland Meat Authority Act 1942 (No. 4297).
CONSTITUTION OF AN INLAND MEAT DISTRICT.

PROCLAMATION

By His Excellency the Governor of the State of Victoria and its Dependencies in the Commonwealth of Australia, &c., &c., &c.

WHEREAS by the *Victorian Inland Meat Authority Act 1942* it is amongst other things enacted that the Governor in Council, on the recommendation of the Victorian Inland Meat Authority, may by Proclamation constitute any area in an inland part of Victoria an inland meat district: Now therefore I, the Governor of the State of Victoria, in the Commonwealth of Australia, by and with the advice of the Executive Council of the said State, and on the recommendation of the Victorian Inland Meat Authority, do by this my Proclamation hereby constitute the area comprising that portion of Victoria within the City of Ballarat, the Boroughs of Sebastopol and Clunes, the Shires of Ballarat, Bungaree, Buninyong, Grenville, and Creswick, and the Parish of Clunes in the Shire of Talbot, an inland meat district, such area being in an inland part of Victoria as defined by the said Act.

Given under my Hand and the Seal of the State of Victoria aforesaid, at Melbourne, this twenty-sixth day of June, in the year of our Lord One thousand nine hundred and fifty-one, and in the fifteenth year of the reign of His Majesty King George VI.

(L.S.) DALLAS BROOKS.

By His Excellency's Command,
GEORGE C. MOSS,
Minister of Agriculture.

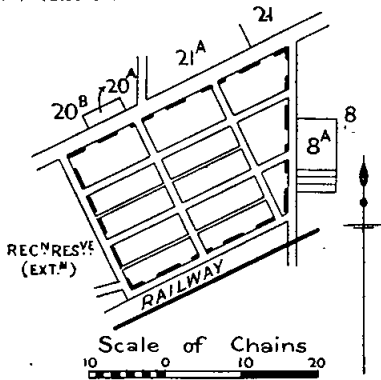
GOD SAVE THE KING!

Land Act 1928, Section 25.
PROCLAMATION RESCINDED AS TO PART AND TOWNSHIP OF GOROKE PROCLAIMED.

PROCLAMATION

By His Excellency the Governor of the State of Victoria and its Dependencies in the Commonwealth of Australia, &c., &c., &c.

I THE Governor of the State of Victoria, in the Commonwealth of Australia, by and with the advice of the Executive Council of the said State, and in pursuance of the provisions contained in section 25 of the *Land Act 1928*, do by this notice rescind the Proclamation dated 28th April, 1885, defining certain areas of land as Townships, in so far as it refers to the Township in the Parish of Goroke (see *Government Gazette 1885*, page 1179), and in lieu thereof do proclaim as a Township under the designation of Goroke, the area of land in the Parish of Goroke, County of Lowan, within the boundaries indicated by conventional township sign on the plan hereunder.—(G.214(4) (C.93159).



Given under my Hand and the Seal of the State of Victoria aforesaid, at Melbourne, this twenty-sixth day of June, in the year of our Lord One thousand nine hundred and fifty-one, and in the fifteenth year of the reign of His Majesty King George VI.

(L.S.) DALLAS BROOKS.

By His Excellency's Command,
 A. E. LIND,
 Commissioner of Crown Lands and Survey.
 GOD SAVE THE KING!

Land Act 1928, Section 25.
PROCLAMATION OF TOWNSHIP OF GLEN WAVERLEY RESCINDED.

PROCLAMATION

By His Excellency the Governor of the State of Victoria and its Dependencies in the Commonwealth of Australia, &c., &c., &c.

I THE Governor of the State of Victoria, in the Commonwealth of Australia, by and with the advice of the Executive Council of the said State, and in pursuance of the provisions contained in section 25 of the *Land Act 1928*, do by this notice rescind the Proclamation dated 24th October, 1904, defining a certain area of land in the Parish of Mulgrave as a Township distinguished by the name of Mulgrave (see *Government Gazette 1904*, page 3521), altered to Glen Waverley by Proclamation dated 22nd May, 1905 (see *Government Gazette 1905*, page 1772).—(M.263(3) (C.93157).

Given under my Hand and the Seal of the State of Victoria aforesaid, at Melbourne, this twenty-sixth day of June, in the year of our Lord One thousand nine hundred and fifty-one, and in the fifteenth year of the reign of His Majesty King George VI.

(L.S.) DALLAS BROOKS.

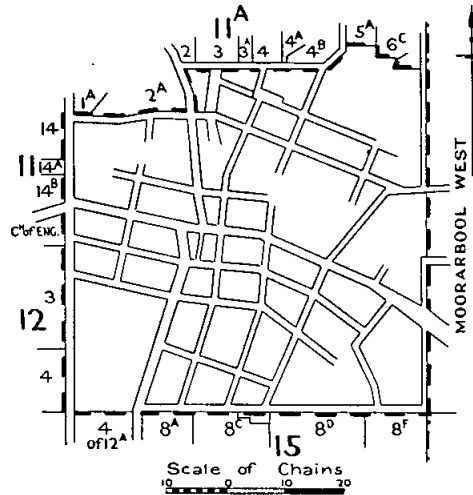
By His Excellency's Command,
 A. E. LIND,
 Commissioner of Crown Lands and Survey.
 GOD SAVE THE KING!

Land Act 1928, Section 25, as amended by Land Act 1933, Section 2.
PROCLAMATION RESCINDED AS TO PART AND TOWNSHIP OF GORDON PROCLAIMED.

PROCLAMATION

By His Excellency the Governor of the State of Victoria and its Dependencies in the Commonwealth of Australia, &c., &c., &c.

I THE Governor of the State of Victoria, in the Commonwealth of Australia, by and with the advice of the Executive Council of the said State, and in pursuance of the provisions contained in section 25 of the *Land Act 1928*, as amended by section 2 of the *Land Act 1933*, do by this notice rescind the Proclamation dated 21st December, 1875, defining certain areas of land as Villages in so far as it relates to the Village of Gordon (see *Government Gazette 1875*, page 2366), and in lieu thereof do proclaim as a Township under the designation of Gordon the area of land in the Parish of Kerrit Bareet, County of Grant, within the boundaries indicated by conventional township sign on the plan hereunder.—(G.162(2) (K.126(4) (C.93158).



Given under my Hand and the Seal of the State of Victoria aforesaid, at Melbourne, this twenty-sixth day of June, in the year of our Lord One thousand nine hundred and fifty-one, and in the fifteenth year of the reign of His Majesty King George VI.

(L.S.) DALLAS BROOKS.

By His Excellency's Command,
 A. E. LIND,
 Commissioner of Crown Lands and Survey.
 GOD SAVE THE KING!

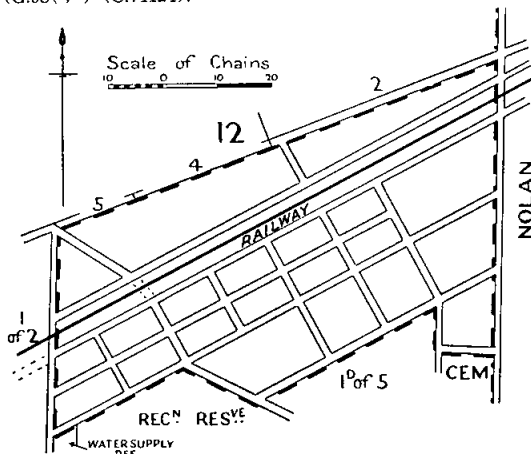
Land Act 1928, Section 25, as amended by Land Act 1933, Section 2.
PROCLAMATION RESCINDED AND TOWNSHIP OF GOORNONG PROCLAIMED.

PROCLAMATION

By His Excellency the Governor of the State of Victoria and its Dependencies in the Commonwealth of Australia, &c., &c., &c.

I THE Governor of the State of Victoria, in the Commonwealth of Australia, by and with the advice of the Executive Council of the said State, and in pursuance of the provisions contained in section 25 of the *Land Act 1928*, as amended by section 2 of the *Land Act 1933*, do by this notice rescind the Proclamation dated 26th September, 1882, defining a certain area of land in the Parish of Goornong as the Town of Goornong (see *Government Gazette 1882*, page 2359), and in lieu thereof do proclaim as a Township under the designation of Goornong, the area of land in the Parish of Goornong,

County of Bendigo, within the boundaries indicated by conventional township sign on the plan hereunder.—(G.98(4, 5) (C.74124).



Given under my Hand and the Seal of the State of Victoria aforesaid, at Melbourne, this twenty-sixth day of June, in the year of our Lord One thousand nine hundred and fifty-one, and in the fifteenth year of the reign of His Majesty King George VI.

(L.S.) DALLAS BROOKS.

By His Excellency's Command,
A. E. LIND,
Commissioner of Crown Lands and Survey.
GOD SAVE THE KING!

Land Act 1928, Section 25.

PROCLAMATIONS OF TOWNSHIPS RESCINDED
(DEER PARK).

PROCLAMATION

By His Excellency the Governor of the State of Victoria and its Dependencies in the Commonwealth of Australia, &c., &c., &c.

I THE Governor of the State of Victoria, in the Commonwealth of Australia, by and with the advice of the Executive Council of the said State, and in pursuance of the provisions contained in section 25 of the *Land Act 1928*, do by this notice rescind the Proclamation dated 17th October, 1885, defining a certain area of land in the Parish of Maribyrnong as a Township (see *Government Gazette 1885*, page 2927), and the Proclamation dated 29th March, 1887, defining a certain area of land in the Parish of Maribyrnong as a Township (see *Government Gazette 1887*, page 921).—(M.46(3) (C.92779).

Given under my Hand and the Seal of the State of Victoria aforesaid, at Melbourne, this twenty-sixth day of June, in the year of our Lord One thousand nine hundred and fifty-one, and in the fifteenth year of the reign of His Majesty King George VI.

(L.S.) DALLAS BROOKS.

By His Excellency's Command,
A. E. LIND,
Commissioner of Crown Lands and Survey.
GOD SAVE THE KING!

PUBLIC HOLIDAYS.

PROCLAMATION

By the Lieutenant-Governor, as Deputy for His Excellency the Governor of the State of Victoria and its Dependencies in the Commonwealth of Australia, &c., &c., &c.

IN pursuance of the provisions contained in Part III. of the *Public Service Act 1946*, I, the Lieutenant-Governor, as Deputy for the Governor of the State of Victoria, in the Commonwealth of Australia, by and with the advice of the Executive Council of the said State, do

by this my Proclamation appoint the days and dates hereunder mentioned to be observed as Public Holidays at the places respectively specified, viz.:

Public Holidays:—

WEDNESDAY, THE 28TH DAY OF NOVEMBER, 1951, throughout the Shire of Colac.

MONDAY, THE 31ST DAY OF DECEMBER, 1951, throughout the North-east Riding of the Shire of Kerang.

Given under my Hand and the Seal of the State of Victoria aforesaid, at Melbourne, this third day of July, in the year of our Lord One thousand nine hundred and fifty-one, and in the fifteenth year of the reign of His Majesty King George VI.

(L.S.) E. F. HERRING.

By His Excellency's Command,
K. DODGSHUN,
Chief Secretary.

GOD SAVE THE KING!

BANK HOLIDAY.

PROCLAMATION

By the Lieutenant-Governor, as Deputy for His Excellency the Governor of the State of Victoria and its Dependencies in the Commonwealth of Australia, &c., &c., &c.

IN pursuance of the provisions of the Banks and Currency Acts, I, the Lieutenant-Governor, as Deputy for the Governor of the State of Victoria, in the Commonwealth of Australia, do by this my Proclamation appoint the day and date named hereunder a special day to be observed as a Bank Holiday at the place mentioned, that is to say:—

Bank Holiday:

WEDNESDAY, THE 8TH DAY OF AUGUST, 1951, at Murrayville.

Given under my Hand and the Seal of the State of Victoria aforesaid, at Melbourne, this third day of July, in the year of our Lord One thousand nine hundred and fifty-one, and in the fifteenth year of the reign of His Majesty King George VI.

(L.S.) E. F. HERRING.

By His Excellency's Command,
K. DODGSHUN,
Chief Secretary.

GOD SAVE THE KING!

APPOINTMENTS.

HIS Excellency the Governor of the State of Victoria, by and with the advice of the Executive Council thereof, has, by Orders made on the 26th day of June, 1951, been pleased to make the under-mentioned appointments, viz.:

DEPARTMENT OF AGRICULTURE.

Inspector, Stock Diseases Act 1928.

CLEMENT EDWARDS, Constable of Police, to be Inspector of Stock, Pinnaroo, as from 4th June, 1951, in accordance with section 5, Part I., of the *Stock Diseases Act 1928*.

CHIEF SECRETARY'S DEPARTMENT.

Probation Officer.

NOEL TOBIN, pursuant to the provisions of section 536 of the *Crimes Act 1928*, to be a Probation Officer for the purposes of the said Act in Ballarat and district.

Superintendent (Acting) of Reformatory Prison.

ROBERT HENRY DAVIS, pursuant to the provisions of the *Crimes Act 1928*, to be Superintendent (Acting) of the Reformatory Prison at French Island, from the 7th August, 1950, pending the appointment of a successor to Alan James Jack, deceased.

DEPARTMENT OF HEALTH.

Government Representative on Hospital Committee.

ALLAN NICHOLSON INGRAM

to be Government Representative on the Committee of Management of the Warracknabeal District Hospital, pursuant to the provisions of section 48 of the *Hospitals and Charities Act 1948* (No. 5300), for a term of three years, *vice* I. A. Martin, resigned.

Member of the Nurses Board.

MARGARET ALICE MURPHY
to be a Member of the Nurses Board, pursuant to the provisions of section 5 (3) (c) (ii) of the *Nurses Act 1928* (No. 3744), for the period to the 31st March, 1953.

Acting Director of Mental Hygiene.

JOHN KELLERMAN ADEY, M.B., B.S.,
to be Acting Director of Mental Hygiene, pursuant to the provisions of section 10 of the *Mental Hygiene Act 1928* (No. 3721), *vice* Dr. J. Catarinich, on leave, as from the 18th June, 1951.

Acting Medical Superintendent.

RICHARD RAMSAY WEBB, M.B., B.S.,
to be Acting Medical Superintendent of the Receiving House and Mental Hospital, Royal Park, pursuant to the provisions of sections 41 and 35, respectively, of the *Mental Hygiene Act 1928* (No. 3721), *vice* Dr. J. K. Adey, Acting Director of Mental Hygiene, as from the 18th June, 1951.

LAW DEPARTMENT.

Acting Judge of the Supreme Court.

LEONARD EDWARD BISHOP STRETTON, LL.B., a Judge of County Courts,
to be an Acting Judge of the Supreme Court of Victoria during the absence, on leave, of the Honorable Sir Edmund Herring, to take effect as from and inclusive of the 26th June, 1951, to and inclusive of the 31st August, 1951.

Substitute Chairman of General Sessions.

FRANCIS ROBERT NELSON, LL.B., a Barrister at Law of Victoria of more than five years' standing,
to be a Substitute Chairman of General Sessions, under the provisions of the *Justices Act 1928*, during the absence of His Honour Judge Stretton.

Deputy Judge of County Courts.

FRANCIS ROBERT NELSON, LL.B., a Barrister at Law of Victoria of more than seven years' standing,
to be a Deputy Judge of County Courts, under the County Court Acts, during the absence of His Honour Judge Stretton, to take effect as from and inclusive of the 26th June, 1951, to and including the 31st August, 1951.

Bailiff of the County Court.

RONALD COLLIS, First Constable of Police, Avoca,
to be also a Bailiff of the County Court at Maryborough, with fees.

Commissioner for Taking Declarations, &c.

RAYMOND DIXON HOWELLS, an officer of the Department of Lands and Survey, Melbourne,
to be a Commissioner for taking Declarations and Affidavits, pursuant to the provisions of Division 8 of Part IV. of the *Evidence Act 1928*, to refrain from charging fees and to resign upon ceasing to occupy his present position.

Magistrates.

ANDREW JAMES HAMLIN SPARK, 44 Kars-street, Frankston,
ERNEST ALBERT VIVIAN SHAW, 710 Sydney-road, Brunswick,
CLEMENT ENDERBY, 88 Ackland-street, St. Kilda, and
ROBERT CLYDE KILLINGSWORTH, 86 Poath-road, Hughesdale,
to Keep the Peace in the Central Bailiwick of the State of Victoria;
ROGER MCARTHUR, Maldon,
to Keep the Peace in the Midland Bailiwick of the State of Victoria; and
ARTHUR FRANK STARBUCK, Rupanyup,
to Keep the Peace in the Western Bailiwick of the State of Victoria.

Sworn Valuers.

WILLIAM ANTILL MCPHERSON, 11 Lonsdale-street, Geelong,
to be a Sworn Valuator, pursuant to the provisions of section 14 of the *Transfer of Land Act 1928* (No. 3791), for the Counties of Borung, Lowan, Kara Kara, Dundas, Gladstone, Gunbower, Tatchera, Karkaroc, Weeah, and Millewa; and
LESLIE HEBDEN THOMAS WOOD, 11 Darling-avenue, Burwood,
to be a Sworn Valuator, pursuant to the provisions of section 14 of the *Transfer of Land Act 1928* (No. 3791), for the Counties of Anglesey, Bourke, Buln Buln, Dalhousie, Evelyn, Grant, Grenville, Mornington, and Talbot.

DEPARTMENT OF PUBLIC WORKS.

Member of the Town and Country Planning Board.

ARTHUR CHARLES COLLINS
to be a Member of the Town and Country Planning Board for a term of three (3) years, from and inclusive of the twenty-seventh day of June, One thousand nine hundred and fifty-one, under the provisions of section 3 of the *Town and Country Planning Act 1944*.

DEPARTMENT OF TREASURER.

Collector of Imposts (Acting).

HERBERT ELIJAH CHARLES SEELEY
to act temporarily as Collector of Imposts, Victorian Dairy Products Board, during the absence of A. J. Matthew on leave.

DEPARTMENT OF WATER SUPPLY.

Improvement Trust Commissioner.

PERCIVAL CHARLES NIXON
to be a Commissioner of the Snowy River Improvement Trust for a period of four years from the date hereof, subject to the provisions of the Water Acts.

A. MAHLSTEDT,

Clerk of the Executive Council.

At the Executive Council Chamber,
Melbourne, 26th June, 1951.

APPOINTMENTS.

THE Lieutenant-Governor, as Deputy for His Excellency the Governor of the State of Victoria, by and with the advice of the Executive Council thereof, has, by Orders made on the 3rd day of July, 1951, been pleased to make the under-mentioned appointments, *viz.*:—

DEPARTMENT OF WATER SUPPLY.

Waterworks Trust Commissioners.

ROSS ALBERT MEURANT
to be a Commissioner of the Yackandandah Waterworks Trust for a period of four years from the date hereof, subject to the provisions of the Water Acts; and
MAXWELL ARTHUR LINCOLN
to be a Commissioner of the Yackandandah Waterworks Trust, and to hold office as such during the present term of office of Matthew Meehan as a Councillor for the Yackandandah Riding of the Shire of Yackandandah, subject to the provisions of the Water Acts.

A. MAHLSTEDT,

Clerk of the Executive Council.

At the Executive Council Chamber,
Melbourne, the 3rd July, 1951.

DEPARTMENT OF MINES.

SUBJECT to any necessary excisions, &c., it is proposed to grant the following mining lease:—
11285, Bendigo; New Monument Gold Mining Company N. L.; 1a. 1r. 22p., Parish of Sandhurst.

MINING LEASES GRANTED.

8251, Beechworth; Cocks Eldorado Gold Dredging N. L.; 7a. 2r. 15p., Parish of Byawatha.
7144, Mineral; Standard Quarries Pty. Ltd.; 4a. 0r. 26p., Parish of Kangerong.
7246, Mineral; George Arthur Pell; 13a. 3r. 6p., Parish of Bungal.
9124, Ballarat; John Edmund Campbell; 19a. 1r. 20p., Parish of Scarsdale.
8248, Beechworth; Albert Gordon Russell; 395a. 1r. 21p., Parish of Tallangalook.
7201, Mineral; Richard Alexander Lodge; 12a. 0r. 20p., Parish of Harcourt.
7240, Mineral; State Electricity Commission of Victoria; 4a. 0r. 23p., Parish of Tanjil East.

G. C. MOSS,
Minister of Mines.

MINING LEASES DECLARED VOID.

9049, Castlemaine; The Victorian Sluicing Syndicate N. L.; 8a. 0r. 27p., Parish of Fryers.
7043, Maryborough; Cecil William Taylor, Otto James Anthony Seebach, and Albert Da Fonte; 54a. 0r. 23p., Parish of Maryborough.
11162, Bendigo; North Virginia Gold Mining Co. N. L.; 38a. 2r. 36p., Parishes of Sandhurst and Nerring.

REX R. NEAL,
Secretary for Mines.

CONTRACTS ACCEPTED.—(Series 1950-51.)

VICTORIAN RAILWAYS.

77. Rectifier units, at rates (Contract 57632).—Australian General Electric Pty. Ltd. 78. Clearing and earthworks, Camberwell to Ashburton main line cutting, 8 miles 6 chains to 8 miles 37 chains, at rates (Contract 58661).—Garrett Constructions. 79. Poles, at rates (Contract 58710).—J. De Piazza. 80. Hydraulic press, at £385, less 10 per cent. each (Contract 58713).—E. A. Machin and Co. Ltd. 81. Poles, at rates (Contract 58920).—J. Harvey. 82. Transfer of goods at Moe, 1st July, 1951, to 30th June, 1953, at rates (Contract 58947).—E. A. Skinner. 83. Cartage, Melbourne Goods, 1st July, 1951, to 30th June, 1953, at rates (Contract 58948).—J. T. and C. Brown.

By order of the Victorian Railways Commissioners,
N. QUAIL,
Secretary.

Melbourne, 29th June, 1951.

GENERAL STORES.

Gazette No. 1051, 20th December, 1950, Schedule No. 75, Tires and Tubes.—For Item Nos. 1 and 2 substitute list price, less 20 per cent.; for Item No. 3 substitute Tires, 8s. 7d. each, and Tubes, 4s. 4d. each, as from 30th May, 1951.

W. H. RUTHERFORD, Secretary to the Tender Board.
2.7.51.

PUBLIC WORKS.

4996. (1) Richmond, Technical School, erection of one "Bristol" prefabricated school-room unit, £1,270.—Overseas Corporation (Australia) Ltd.

4997. (1) Westgarth, State School No. 4177, supply of screenings, £113 2s. 6d.—Dammann Asphalt Co.

4998. (1) Williamstown, Dredging Depot, supply of 32 pairs of thigh boots, £116.—Paul and Gray Pty. Ltd.

4999. (1) Melbourne, Public Works Department, supply of tractor parts, £1,370.—Department of Works and Housing, Sydney.

5000. (1) Coburg, Wire Netting Factory, Pentridge, supply of 200 tons of coke, £935.—H. James.

5001. (1) Darling East, Infants' School, extension of sewerage reticulation, £168 18s. 1d.—Melbourne and Metropolitan Board of Works.

5002. (1) Melbourne, Government House, water supply, supply of fibrolite pipes, £132 0s. 2d.—James Hardie and Co.

5003. (1) Hampton, Breakwater, supply of stone, £137 10s. 4d.—J. Starbuck and Sons.

5004. (1) Hampton, Breakwater, supply of stone, £1,212 18s. 3d.—Lords Bluestone Quarries Pty. Ltd.

5005. (1) Melbourne, Police Depot, St. Kilda-road, supply of 104 cubic yards of gravel, £117.—R. T. Sims.

5006. (1) Port Melbourne, Public Works Department Depot, supply of 98 cubic yards of screenings, £138 5s.—Willis Quarries.

5007. (1) Port Melbourne, Public Works Department Depot, supply of 100 rotary clerks' chairs, £732 10s.—C. E. Clayton Associates.

5008. (1) Melbourne, Public Library, installation of cooking range and flue in tea rooms, £150.—Anderson and Ritchie Pty. Ltd.

5009. (1) Balook, State School No. 2719, supply of 6,035 feet of sawn hardwood, £188 11s. 10d.—W. J. Duff.

5010. (1) Bonbeach, Foreshore, supply of stone spalls, £102 9s. 1d.—J. Starbuck and Sons.

5011. (1) Numurkah, State School No. 2134, supply and fixing of fibro-plaster walls and ceilings, teacher's residence, £269 2s.—A. M. Erwin.

5012. (1) Melbourne, Parliament House, electrical additions, £497 1s. 5d.—J. P. Eva and Town.

5013. (1) Various, Foreshore, Queenscliff, and M.S.F., Queenscliff, supply of cement, £219 10s. 5d.—Borough of Queenscliff.

5014. (1) Caulfield, Technical School, supply and delivery of Froude hydraulic dynamometer, size DPX.3, with mechanical tachometer, £411 1s. 6d.—T. K. Steanes and Son Pty. Ltd.

5015. (1) Melbourne, Technical School, Tolebrook portable scale and bench deal scale, £567 15s.—Toledo Berkel Pty. Ltd.

5016. (1) Red Cliffs East, State School No. 4123, supply of three air circulators and one desk fan, £121 3s. 2d.—A. H. Gibson (Elect.) Pty. Ltd.

5017. (4) Geelong, "Forty-five" Teachers' College Hostel, repairs and re-covering furniture, supplying and fixing venetian blinds, £217 10s.—B. E. Purnell.

5018. (1) Melbourne, Parliament House, renewal of copper gutters and downpipes, £105 8s. 10d.—A. Crewther and Son.

5019. (1) Cashmore, State School No. 3838, erection of residence (labour only), £753 10s.—T. K. Peters.

5020. (3) Janefield, Mental Hospital, supply of universal combination woodworking machine, £175 15s.—The Hells-ton Manufacturing Co.

5021. (1) Ballarat, Mental Hospital, supply of four tubular steel wheeled type invalid chairs, £204 10s.—Denyers Pty. Ltd.

5022. (1) Melbourne, Parliament House, testing and inspecting of fire appliances, £142 16s.—Metropolitan Fire Brigades Board.

5023. (1) Frankston, Police Station and Court House, professional services, £200.—A. K. Lines and MacFarlane.

5024. (1) Carlton, University Women's College, extensions to college, £1,900.—T. R. and L. Cockram Pty. Ltd.

5025. (1) Melbourne, Emergency Housing Camps, repairs to stoves at Camp Pell, Fawkner Park, and Showgrounds, £153 3s.—Paul Smith.

5026. (1) South Melbourne, Dental Clinic, "Hampton," 448 St. Kilda-road, £180 18s.—D. F. Cowan.

5027. (1) Deer Park, State School No. 1434, supply and installation of two "Airco" 8½-in. vaporizing oil-burning heaters, £200.—Ray C. Wright and Co. Pty. Ltd.

5028. (1) Port Melbourne, Public Works Department Depot, supply of 10,310 lineal yards of "C" grade linoleum, £10,567 15s.—W. P. Murison.

5029. (1) Roslyn, State School No. 4663, assembly area, gravelling, &c., £528.—W. L. Grinter.

5030. (1) Fairfield, Infectious Diseases Hospital, furnishings, Exotic Diseases Block, £240 1s. 2d.—Anderson's Pty. Ltd.

5031. (5) Middle Brighton, Breakwater, supply and delivery of spalls, £9,857 6s. 8d.—J. R. Rayner Constructions.

5032. (1) Port Melbourne, Public Works Department Depot, supply of 100 Aladdin Blue Flame heaters, £870.—Jas. McEwan and Co. Pty. Ltd.

5033. (1) Melbourne, State Rivers and Water Supply Commission, 31 Flinders-lane, insulation of ceiling, £498 10s.—Insulwood Products Pty. Ltd.

5034. (1) Apollo Bay, Pier, supply of timber piles, £380.—S. A. Armistead Pty. Ltd.

5035. (1) Nunawading, Health Department, "Wynlaton," Springvale-road, purchase of furniture, &c., £143.—H. R. Barwell.

5036. (1) Bendigo, various schools, sewerage charges, £177.—Bendigo Sewerage Authority.

5037. (1) Greenvale, Sanatorium, repairs to steam-jacketed pans in kitchen, £217 16s. 9d.—A. E. Atherton and Sons Pty. Ltd.

5038. (1) Geelong, Teachers' Training College, "Hawthorne" Hostel, Aberdeen-street, supply and fixing terrazzo work, £206.—Geelong Terrazzo Granolithic Ironite Co.

5039. (2) Melbourne, Technical College, provision of single desks, £420.—D. F. Cowan.

5040. (1) Melbourne, Education Department, Accounts Branch, supply of two 12-drawer card cabinets, £127.—C. E. Clayton Associates.

5041. (1) South Yarra, Health Department, Domain-road, supply of linoleum, £1,210.—Anderson's Pty. Ltd.

5042. (2) Heatherton, Sanatorium, supply of counter for refreshment kiosk, £176 10s.—McCabe and Pomeroy Pty. Ltd.

5043. (1) Footscray North, State School No. 4160, supplying and fixing wardrobes and display board in "Hawkesley" prefabricated class-rooms, £227.—F. T. Pulling.

5044. (3) Bendigo, Teachers' College Hostel, provision of curtains, bedspreads, loose covers, chairs, &c., £497 5s.—R. O. Henderson Pty. Ltd.; £179 3s. 6d.—Myers (Bendigo) Pty. Ltd.

5045. (1) Melbourne, Emily McPherson College of Domestic Economy, supply of two refrigeration cabinets, £272 16s.—M. F. Ahearn and Co.

5046. (1) Ararat, State School No. 800, internal and external repairs and painting, £1,498 8s.—R. H. Pyne.

5047. (1) Axedale, State School No. 1008, erection of residence and out-buildings, &c., £2,896.—S. T. Doxford and H. B. Dougall.

5048. (4) Aberfeldie, State School No. 4220, electrical installation, £1,140.—G. Wilkie Electrical Co.

5049. (1) Ballarat, Mental Hospital, fireproofing of boiler flues, Wards F5, F3, F7 and F11b, £198 15s.—McLean and Boakes.

5050. (3) Bendigo, six prefabricated teachers' residences, supply and installation of six kerosene hot-water services, £796.—D. Smythe and Son.

5051. (1) Bendigo, Public Works housing site, electrical installation, six residences, £351 3s.—E. Jorgensen.

5052. (1) Beverford, State School No. 4195, repairs and painting, £444.—R. House.

5053. (1) Badger Creek, State School No. 3309, additional class-rooms and alterations, £2,245.—D. Tinknell.

5054. (1) Ballarat East, Police Station, erection of new timber station and residence, brick cell, and garage, £5,852.—E. C. Sharpley.
5055. (5) Ballarat, Mental Hospital, Dairy, supply and installation of milking machine and equipment, £312 10s.—Baltic Simplex Machinery Co. Ltd.
5056. (1) Bannison, State School No. 3025, repairs and painting, £692.—D. Tincknell.
5057. (1) Bendigo, State School No. 877, erection of garage and woodshed, residence, Condon-street, £168 15s.—Rigby and Pearce.
5058. (1) Bell, State School No. 4309, internal painting and repairs, £1,935.—F. E. Liston.
5059. (1) Camperdown, High School, erection of garage and woodshed and lining of sleepout, residence, 16 Campbell-street, £201 14s.—K. M. Dunn.
5060. (1) Charlton, Police Station, supply and installation of a kerosene hot-water service, £158 12s.—D. Smythe and Son.
5061. (1) Caulfield, Technical School, installation of pipe work for steam condenser, £435 8s.—L. R. Boag.
5062. (3) Creswick North, State School No. 2041, blackboards, cupboards, display boards, and painting, £477 10s.—H. R. Dobbin.
5063. (1) Dimboola, Memorial High School, erection of new out-office block, £1,150.—J. R. Ross.
5064. (1) Emerald, State School No. 3381, provision of additional tanks and stands, £127 5s. 6d.—H. S. Bolger (Jnr.).
5065. (1) Echuca, High School, supply and installation of a kerosene hot-water service, residence, £153 10s.—D. Smythe and Son.
5066. (2) Eddington, State School No. 793, repairs and renovations only, school and residence, £288.—W. G. Hart and Son.
5067. (1) Footscray, Technical School, additional lavatory accommodation, £3,994 17s. 6d.—H. S. Bolger and Son.
5068. (1) Frankston, High School, erection of new fence, £129.—D. Tincknell.
5069. (2) Glenferrie, Swinburne Technical College, external repairs and painting, £9,177 15s.—H. and A. Tinsley.
5070. (1) Huntly, State School No. 306, raising floors, hyloplates, and installation of heaters and provision of timber ramps, £780.—F. M. Fitzpatrick.
5071. (1) Highton, State School No. 304, erection of standard type garage, teacher's residence, Argyle-street, Belmont, £138 16s. 6d.—J. W. Hill.
5072. (1) Kyneton, High School, fitting room No. 7 as auxiliary science room, £465.—A. Scott.
5073. (1) King Valley, State School No. 2894, electrical installation, residence, £109 10s.—A. E. Webster.
5074. (1) Kangaroo Flat, State School No. 981, repairs and renovations, £959 10s.—N. C. Thirlwell.
5075. (1) Kinglake, State School No. 2188, erection of new teacher's residence, £2,890 10s.—S. Sargent and Sons.
5076. (2) Korumburra, Court House, erection of two offices, £3,962.—D. Tincknell.
5077. (1) Lake Boga, State School No. 3278, supply and installation of kerosene hot-water service, teacher's residence, £160 17s.—D. Smythe and Son.
5078. (1) Lavers Hill, Consolidated School, repairs and painting, £244.—J. D. Pyers.
5079. (1) Lindenow, State School No. 1120, non-party fencing, £187 15s.—J. Hibbins.
5080. (1) Melbourne, Education Department, Treasury Buildings, electrical installation, £217 10s.—L. J. Wright and Co.
5081. (1) Moe, State School No. 2142, supply and installation of hot-water service, £148.—Quick and Tuck.
5082. (1) Merbein, State School No. 3687, supply and installation of refrigerator, Cookery Centre, £162 17s. 1d.—Shilliday Bros.
5083. (8) Mont Park, Mental Hospital, provision of 42 in. x 60 in. tumbler drier, Hydro Extractors, washing machines, steam and pneumatic pressers, £11,235.—Hardie Trading Ltd.
5084. (1) Nagambie, Police Station, internal renovations, £200.—I. W. Ballinger.
5085. (1) Richmond, Girls' School, supply and installation of mechanical services, £9,610.—L. R. Boag.
5086. (1) Rutherglen, Police Station, erection of fence, £152 17s. 6d.—Buscall and Cullen.
5087. (1) Ruby, State School No. 3208, repairs to boundary fencing, £110.—K. D. Joyce.
5088. (2) St. Arnaud, State School No. 1646, renovations of class-rooms removed from Beasley's Bridge, £264.—H. K. Christie.
5089. (1) Talbot, State School No. 954, repairs and painting, £949.—H. K. Christie.
5090. (2) Timor, State School No. 1207, re-modelling residence removed from Archdale, £1,777.—W. G. Hart and Son.
5091. (4) Woodend, Court House, repairs and new woodshed, £149 3s.—J. Crozier.
5092. (1) Wangaratta, Fisheries and Game, inspector's residence, supply and installation of kerosene hot-water service, £152 11s. 6d.—Stone Bros.
5093. (1) Sedgwick, State School No. 935, provision of cupboards, display boards, and general repairs, £151 10s. 6d.—R. House.
- P. T. BYRNES, Commissioner of Public Works. 27.6.51.
5100. (1) Ballarat, Mental Hospital, alterations and new kitchen, £11,776.—J. H. Brown and Son Pty. Ltd.
5101. (1) Carrum, State School No. 3385, supplying and fixing to No. 2 prefabricated classrooms, hat and coat wardrobes and display panels, £233.—F. T. Pulling.
5102. (1) Culgoa, State School No. 3246, repairs and painting, residence, £578.—H. Richards.
5103. (1) Diapur, State School No. 2826, repairs and painting, residence, £438 12s.—Geo. Lange.
5104. (1) Echuca, Court House, repairs and painting, £1,475.—A. Heron.
5105. (1) Frankston, State School No. 1464, attention to boiler sections and overhaul of central-heating equipment, £189.—E. Tuck.
5106. (3) Flemington, Travancore Developmental Centre, supply and installation of hot-water boiler, £320.—W. E. Tuck.
5107. (2) Flemington, Travancore Developmental Centre, repairs to boundary fences, £205.—G. Wood and Son.
5108. (2) Fitzroy, Girls' School, Bell-street, electrical installation, £642 8s. 6d.—Johnston and McMorran Pty. Ltd.
5109. (5) Footscray, Girls' School, internal renovations, &c., caretaker's quarters, £127 10s.—Amron Painting Service.
5110. (1) Glenferrie, Swinburne Technical College, installation of equipment for fluid flow experiments, £298.—L. H. Brown and Son.
5111. (1) Gresswell, Sanatorium, replacement of refrigeration plant at main kitchen, £835 15s.—A.X. Refrigeration Installation and Maintenance Pty. Ltd.
5112. (1) Gisborne, State School No. 262, internal renovations to school residence, £296.—H. A. Rogasch.
5113. (2) Geelong, H.M. Gaol, supply and installation of heat storage cooker, kitchen, £686 14s. 4d.—Levin and Co. Ltd.
5114. (2) Kew, Mental Hospital, supply and installation of two refrigerators (electric), Wards B and F6, £590.—A.X. Refrigeration Installation and Maintenance Pty. Ltd.
5115. (1) Kew, Mental Hospital, supply and installation of refrigeration machine and equipment, £183 14s. 6d.—A.X. Refrigeration Installation and Maintenance Pty. Ltd.
5116. (1) Kew, State School No. 3894, erection of two woodsheds, school and residence, £134.—G. J. Bonner.
5117. (1) Langi Kal Kal, Superintendent's Quarters, partition at head of stairway, £150.—F. J. Touhy.
5118. (3) Lake Rowan, State School No. 1705, repairs and painting, residence, £389.—K. F. Duncan and J. Christie.
5119. (1) Longwarry North, State School No. 4272, erection of standard type garage, residence, £135.—R. A. Holt.
5120. (1) Little River, State School No. 1961, renewal of spouting, new sink, rear fence, alterations, back porch, &c., £204.—G. Wood and Son.
5121. (2) Millgrove, State School No. 3655, electrical installation, residence, £115 15s.—G. L. Webster.
5122. (8) Mont Park, Mental Hospital, provision of 42-in. x 90-in. tumbler driers, soap boiler, mattress sterilizer, and starch barrel, £4,926.—Robert Lilley and Co. Pty. Ltd.
5123. (1) Mooroopna, Police Station, repairs and painting, £365.—L. A. Skelton.
5124. (3) Mirboo, State School No. 3437, repairs and painting, residence, £200.—J. P. Carter.
5125. (1) Wangaratta West, State School No. 4642, new fencing, £1,092.—J. P. Tanner.
5126. (3) Manangatang, Consolidated School, electrical installation, £502.—C. R. Thomas.
5127. (2) Melbourne, Chief Clerk's Room, Parliament House, renovations and frenchpolishing, £120.—L. W. Friezer.
5128. (2) Kew, Mental Hospital, supply and installation of electric refrigerator, nursery ward, £265.—A.X. Refrigeration Installation and Maintenance Pty. Ltd.
5129. (1) Nayook, State School No. 3227, erection of garage at residence, £135.—R. A. Holt.
5130. (1) Port Fairy, Consolidated School No. 1188, new cupboards and repairs, £631 10s.—J. J. McLaren.

5131. (4) Port Melbourne, Court House, internal and external repairs and painting, £598.—T. Kenny.

5132. (1) Preston, Technical School, supply and fixing to No. 6 prefabricated classrooms, hat and coat wardrobes and display panels, £681.—F. T. Pulling.

5133. (1) Preston, Girls' School, supply and fixing to No. 2 prefabricated classrooms, hat and coat wardrobes and display panels, £230.—F. T. Pulling.

5134. (3) Rockbank, State School No. 919, new garage, teacher's residence, £176 10s.—G. Wood and Son.

5135. (1) Royal Park, Children's Welfare Department, repairs to central-heating boiler, £137.—W. E. Tuck.

5136. (1) Shepparton, Public Works Department, external painting of inspector's residence, 186 Knight-street, £130.—L. A. Skelton.

5137. (1) Springvale, State School No. 3507, additional out-offices and drinking troughs, £527.—H. A. Rogasch.

5138. (1) Sunbury, Mental Hospital, renewal of flooring, &c., Ward M4, £296.—R. L. Philip.

5139. (4) Sunbury, Mental Hospital, renewal of flooring, &c., £292.—R. L. Philip.

5140. (2) South Melbourne, Police Depot, Dodds-street, conversion of stable loft into storeroom, £1,551.—L. W. Friezer.

5141. (5) Various, School Residences, supply and installation of thirty-nine (39) hot-water services, £6,875.—J. M. Glassel and Co. Pty. Ltd.

5142. (1) Wood Wood, State School No. 3353, erection of garage with gravel floor, residence, £130.—W. M. Lowe.

5143. (5) Warragul, High School, electrical installation, four (4) teachers' residences, £318 17s.—L. W. Buchanan.

P. T. BYRNES, Commissioner of Public Works. 2.7.51.

CONTRACTS ACCEPTED.—(Series 1951-52.)

CEREALS.

Requirements under Sub-Schedule No. 5 of Schedule No. 1 for the month of July, 1951, are to be purchased, under agreement, from the under-mentioned firms, at the rates per cwt. respectively indicated, viz., Robert Harper and Co. Ltd., Oatmeal—plain, 73s. 8d.; Peas—split, 72s.; Rice—dressed and unpolished, 49s.; Rycena, 26s. 6d. H. S. K. Ward Pty. Ltd., Barley—pearl and unpolished, 32s. 6d. All rates less 3 per cent., 14 days, or 2½ per cent., 30 days. Rates are subject to variations in accordance with Determinations of the Prices Decontrol Commissioner.

W. H. RUTHERFORD, Secretary to the Tender Board. 2.7.51.

ORDERS IN COUNCIL.—(Series 1950-51.)

STATE ELECTRICITY COMMISSION.

5094. The supply of 412 three-phase circuit breakers, Kiewa Hydro-Electric Scheme, to Quotation No. 4254, £39,230.—Westinghouse Rosebery Pty. Ltd.

Approved by the Governor in Council, 15th May, 1951.—A. G. COULTHARD, Acting Clerk of the Executive Council.

5095. The supply and erection of office staff quarters, Ridge Hostel, Morwell, to Specification No. 50-51/329, £17,846.—T. R. and L. Cockram Pty. Ltd.

5096. The supply of four turbine-control panels and one circulating water pump panel, Yallourn "C" and "D" Power Stations, to Specification No. 50-51/297, £5,722.—George Kent (Vic.) Pty. Ltd.

5097. The supply and delivery of 867 tons of concrete pipes for drainage work, Yallourn Area, to Quotation No. 7281, £9,676 6s. 9d.—Rocla Pipes Ltd.

5098. The supply of 130,000 service nut connectors for maintenance of distribution and transmission lines, to Quotation No. 7020, £7,118 15s.—Stanger and Co. Pty. Ltd.

5099. The supply of twelve hand-operated disconnecting switches for Eildon and Yallourn, to Quotation No. 5622, £13,206.—Stanger and Co. Pty. Ltd.

Approved by the Governor in Council, 19th June, 1951.—A. MAHLSTEDT, Clerk of the Executive Council.

CORRIGENDUM.

Amendment to the contract approved by the Governor in Council on 17th April, 1951, with Advance Engineering Co. for the assembly and erection of Stahlbau Rheinhausen A74 overburden spreader, Morwell Open Cut, to provide for the name of the contractor to be altered to Advance Construction Co., to Specification No. 50-51/235.—Advance Construction Co.

Approved by the Governor in Council, 29th May, 1951.—A. MAHLSTEDT, Clerk of the Executive Council.

THE MELBOURNE HARBOR TRUST COMMISSIONERS.

IN pursuance of the *Melbourne Harbor Trust Act 1928*, the Melbourne Harbor Trust Commissioners make the following Regulations:—

1. The Regulations made by the Commissioners on the 21st February, 1951, approved by the Governor in Council on 16th March, 1951, and published in the *Government Gazette* on the 28th May, 1951, are hereinafter referred to as "the Principal Regulations."

2. After Regulation 30A of the Principal Regulations, the following Regulation is inserted:—

"30B. (1) Any person who is unable to produce evidence of his intention to embark on board a vessel from Gellibrand or Nelson Pier, Williamstown, who intrudes on either pier after being warned by an appointed person not to do so shall be guilty of an offence against these Regulations.

(2) Any person who unnecessarily lingers or loiters on either of the said piers after being told by an appointed person to leave it shall be guilty of an offence against these Regulations.

(3) Any person who takes a photograph from Gellibrand Pier or Nelson Pier without the lawful authority of the Commissioners shall be guilty of an offence against these Regulations.

(4) 'An appointed person' in and for the purposes of this Regulation means a person duly appointed by the Commissioners under section 92 of the Act."

Dated at Melbourne this thirtieth day of May, 1951.

The common seal of the Melbourne Harbor Trust Commissioners was hereunto affixed by order of the Commissioners, in the presence of—

(SEAL) A. D. MACKENZIE, Chairman.
H. M. GIBBONS, Commissioner.
A. C. COOK, Secretary.

Approved by the Governor in Council,
26th June, 1951.

A. MAHLSTEDT,
Clerk of the Executive Council.

CITY OF HEIDELBERG.

ORDER CONFIRMED.

THE Minister of the Crown administering the *Local Government Act 1946*, on the 18th day of June, 1951, confirmed the Order hereinafter referred to, in pursuance of section 513 of the said Act, viz.:—

An Order of the Council of the City of Heidelberg made on the 30th day of April, 1951, for the purpose of providing a place of public resort and recreation in Austin and Alphington streets, Fairfield, and for acquiring for such purpose all those pieces of land being parts of Crown portion 115, Parish of Jika Jika, County of Bourke, and being the land more particularly described in certificates of title, volume 2581, folio 516039, and volume 5525, folio 1104891, and being land within the municipal district of the City of Heidelberg.

P. T. BYRNES,
Commissioner of Public Works.

State Rivers and Water Supply Commission.

CONSENT TO EXCHANGE OF LAND.

HIS Excellency the Governor of the State of Victoria, by and with the advice of the Executive Council thereof, doth by Order made on the 26th day of June, 1951, under the provisions of the Water Acts, consent to the exchange of those parts of Crown allotments 102 and 111, Parish of Sandhurst, County of Bendigo, as coloured red on the plan annexed to correspondence No. 51/10130, which land is now vested in or belonging to the State Rivers and Water Supply Commission as consideration for the transfer to the said Commission of those parts of the said Crown allotments 102 and 111, as coloured blue on the aforementioned plan.

A. MAHLSTEDT,
Clerk of the Executive Council.

At the Executive Council Chamber,
Melbourne, the 26th June, 1951.

Transport Regulation Acts.

TRANSPORT REGULATION BOARD.

NOTICES OF PUBLIC HEARINGS.

NOTICE is hereby given that the applications made by the persons named below for renewal of licences to operate commercial passenger vehicles, in the manner set out in each case, will be heard at a time and place to be communicated to the parties:—

Name and Address; Present Franchise; Licence Number; Expiry Date.

BROWN, C. A., Grenville-street, Daylesford; (a) at separate and distinct fares within five (5) miles radius of Daylesford, (b) under private hire conditions within fifty (50) miles radius of Daylesford, (c) specified day tours from Daylesford to named places; A.188, A.191; 14th September, 1951.

CROCOMBE, R. E., Wonga Wonga, via Foster; (a) stage omnibus between McCartens Post Office and Foster, via Turtons Creek and Woorarra West, (b) between Foster and Boolarong, via Wonga Wonga, (c) between Foster and Mt. Fatigue, via Mt. Best, (d) goods may be carried up to 56 lb.; A.2119; 1st September, 1951.

HUBBARD, F. R., Hepburn Springs; (a) school service commencing Daylesford High and Technical Schools, thence via Eganstown, Blampied, Kingston, Newlyn North, Blampied, and Eganstown, returning to Daylesford, (b) round route from Daylesford, via Eganstown, Blampied, Newlyn North, Newlyn, and Dean to Mollinghip, return via Rooklyn, Newlyn, Newlyn North, Blampied, and Eganstown to Daylesford, (c) between Hepburn Springs and Ballarat, via Daylesford, Leonard Hill, Spargo, Claretown, and Bungaree, (d) goods may be carried up to 56 lb., (e) at separate and distinct fares from Daylesford Railway Station to and from guest houses in the Borough of Daylesford, (f) specified day tours from Daylesford to named places, (g) charter within a 20 miles radius of Daylesford to named places; A.197; 14th September, 1951.

HURST, R. R., Queen-street, Korumburra; school service from Korumburra, via Jumbunna, Outtrim, Ryeburn, and Korumburra South, returning to Korumburra; A.2100; 1st September, 1951.

JONASSON, O. G., 6 Creek Reserve, Warracknabeal; school service between Aubrey and Warracknabeal; A.2124; 1st September, 1951.

KINLEY, W. J., Dargo; as a stage omnibus on the following routes:—(a) Between Dargo and Stratford, (b) between Dargo and Talbotville, (c) mails may be carried, (d) parcels may be carried up to 2½ cwt., (e) under private hire conditions within a fifty (50) miles radius of Dargo Post Office; A.1316; 11th September, 1951.

LANE, A. L. (trading as Lane's Bus Service), 159 Raglan-parade, Warrnambool; as a stage omnibus on the following routes:—(a) Between Garvoc and Warrnambool High School, via Laang, Panmure, Cudgee, Wangoom, and Russell's Creek, (b) between Garvoc and Warrnambool Picture Theatre, via Wangoom, (c) between Garvoc and racecourse, (d) between Garvoc and Warrnambool Showgrounds, (e) between Garvoc and beach, (f) charter within twenty (20) miles radius of Garvoc to named places, (g) interchangeability on the following licence Nos. A.216, A.235, A.375, A.565, A.839, A.894, A.923, A.1235, A.1273, A.1390, A.1654, A.2084, A.2085, A.2086, A.2167, A.2533, A.2907, and A.2908 as a substitution but not in addition; A.2085; 9th September, 1951.

LANE, A. L. (trading as Lane's Bus Service), 159 Raglan-parade, Warrnambool; as a stage omnibus on the following routes:—(a) Warrnambool to Warrnambool Cemetery (alternate Sundays only), (b) as a town bus on specified routes within the City of Warrnambool, (c) day return trips from Warrnambool to Hopkins River, Jubilee Park, Allansford, Merri River, and aerodrome, (d) Warrnambool to showgrounds at Nirranda, Penshurst, Koroit, Noorat, Mortlake, Heytesbury, Macarthur, and Port Fairy respectively, (e) specified day tours from Warrnambool to named places, (f) charter within a twenty (20) miles radius of Warrnambool Post Office to named places, (g) interchangeability with certain other licensed vehicles; A.565; 9th September, 1951.

LANE, A. L. (trading as Lane's Bus Service), 159 Raglan-parade, Warrnambool; as a stage omnibus on the following routes:—(a) Between Warrnambool and Dennington, (b) between Warrnambool and South Warrnambool Woollen Mills, (c) between Warrnambool and West Warrnambool on a round route, via Koroit, Ryor, Timor, Lorne, Lava, Fairy, Kepler, and Koroit streets, (d) between Warrnambool and North Warrnambool on a round route, via Koroit, Liebig, Nelson, and Bayan streets, Racecourse-road

(Russell's Creek), and Birdwood, Carmer, Coulstock, Foster, Skene, Darling, and Liebig streets, (e) between Warrnambool and Merri View, via Dison, Evans, Boyd, Koroit, and Lava streets, (f) between Warrnambool and the Warrnambool Cemetery and Hopkins River, (g) interchangeability on the following licence Nos. A.216, A.235, A.375, A.565, A.839, A.923, A.1235, A.1273, A.1390, A.1654, A.2084, A.2085, A.2167, A.2533, A.2907, and A.2908. The vehicle hereby licensed may be operated in substitution, but not in addition, to any of the licences numbered as aforesaid; A.2086; 9th September, 1951.

LANE, A. L. (trading as Lane's Bus Service), 159 Raglan-parade, Warrnambool; as a stage omnibus on the following routes:—(a) Between Warrnambool and Port Fairy on one or other of the following routes:—(i) via Dennington, Illowa, Southern Cross, Koroit, Crossley, Killarney, Rose Brook, and Prince's Highway West, (ii) via Dennington, Illowa, Koroit-road, Tower Hill Post Office, Killarney Hotel, Three Chain-road, Rose Brook, and Port Fairy North, (iii) via Prince's Highway West as far as Killarney, Crossley back to Killarney, and via Prince's Highway West, (b) between Port Fairy and racecourses at Warrnambool, Koroit, Mortlake, Terang, and Camperdown, respectively, (c) between Port Fairy and showgrounds at Warrnambool, Koroit, Mortlake, and Noorat respectively, (d) mails may be carried, (e) specified day tours from Port Fairy to named places, (f) charter within twenty (20) miles radius of Port Fairy to named places, (g) as a substitution to licence Nos. A.216, A.375, A.565, A.839, A.1235, A.1273, A.1390, A.1654, A.2084, A.2085, A.2086, A.2167, A.2533, A.2907, and A.2908; A.235, A.923; 9th September, 1951.

LANE, A. L. (trading as Lane's Bus Service), 159 Raglan-parade, Warrnambool; as a stage omnibus on the following routes:—(a) School service between Port Fairy and Warrnambool High and Technical Schools, via Prince's Highway West, (b) between Port Fairy and racecourses respectively at Warrnambool, Koroit, Terang, and Camperdown, (c) between Port Fairy and showgrounds respectively at Warrnambool, Koroit, Mortlake, and Noorat, (d) specified day tours from Port Fairy to named places, (e) charter within a twenty (20) miles radius of Port Fairy to named places, (f) as a substitute to licence Nos. A.216, A.235, A.375, A.565, A.839, A.894, A.923, A.1390, A.2084, and A.2086; A.1273; 9th September, 1951.

LANE, A. L. (trading as Lane's Bus Service), 159 Raglan-parade, Warrnambool; as a stage omnibus on the following routes:—(a) Between Warrnambool and racecourses at Warrnambool and Koroit, (b) between Koroit and racecourse at Koroit, (c) between Warrnambool and Tower Hill, (d) at separate and distinct fares within a six (6) miles radius of Warrnambool, (e) under private hire conditions within a fifty (50) miles radius of Warrnambool, (f) specified day tours from Warrnambool to named places; A.1640; 9th September, 1951.

LANE, A. L. (trading as Lane's Bus Service), 159 Raglan-parade, Warrnambool; (a) as a substitute to licence Nos. A.143, A.147, A.1500, A.1501, A.1640, and P.H.92, (b) under private hire conditions within a fifty (50) miles radius of Warrnambool; A.1603; 9th September, 1951.

LANE, A. L. (trading as Lane's Bus Service), 159 Raglan-parade, Warrnambool; (a) school service between Naringal and the Warrnambool High and Technical Schools, (b) as a substitute to licence Nos. A.216, A.235, A.375, A.565, A.839, A.923, A.1273, A.1390, A.1654, A.2085, and A.2086; A.2084; 9th September, 1951.

LANE, A. L. (trading as Lane's Bus Service), 159 Raglan-parade, Warrnambool; as a substitute to licence Nos. A.216, A.235, A.375, A.565, A.839, A.894, A.1273, A.1390, A.1654, A.2084, A.2085, A.2086, A.2167, A.932, and A.2533; A.1235; 9th September, 1951.

LANE, A. L. (trading as Lane's Bus Service), 159 Raglan-parade, Warrnambool; as a substitute to licence Nos. A.216, A.235, A.375, A.565, A.839, A.894, A.923, A.1273, A.1390, A.1654, A.2084, A.2085, A.2086, A.2167, A.2533, A.2907, and A.2908; A.2083; 9th September, 1951.

LANE, A. L. (trading as Lane's Bus Service), 159 Raglan-parade, Warrnambool; as a stage omnibus between the following routes:—(a) Between Warrnambool and Allansford Butter Factory, via one or the other of the following routes:—(i) via the Prince's Highway East, (ii) via Lake Gilleard, Hopkins Point, and the Tooram-road, (b) between Warrnambool and the Hopkins River, (c) between Warrnambool and the Jubilee Park, (d) between Warrnambool and the Merri River, (e) between Warrnambool and the Mailor's Flat Aerodrome, (f) between Warrnambool and the showgrounds, or racecourses at Nirranda, Penshurst, Koroit, Noorat, Mortlake, Heytesbury, Macarthur, or

- Port Fairy, (g) specified day tours from Warrnambool to named places, (h) charter within twenty (20) miles radius of Warrnambool to named places, (i) interchangeability on the following licence Nos. A.235, A.375, A.565, A.839, A.923, A.1235, A.1273, A.1390, A.1654, A.2084, A.2085, A.2086, A.2167, A.2533, A.2907, and A.2908 as a substitution, but not in addition; A.216; 9th September, 1951.
- LANE, A. L. (trading as Lane's Bus Service), 159 Raglan-parade, Warrnambool; (a) school service between Curdie Vale and the Warrnambool High and Technical Schools, via Nirranda, Nullawarre, and Allansford, (b) between Curdie Vale and the Warrnambool Picture Theatre, via Nirranda, Nullawarre, and Allansford, (c) between Curdie Vale and the Warrnambool Beach, via Nirranda, Nullawarre, and Allansford, (d) between Curdie Vale and Nirranda South, (e) between Curdie Vale and the racecourses respectively at Warrnambool, Terang, and Mortlake, (f) between Curdie Vale and the showgrounds respectively at Warrnambool, Noorat, Mortlake, and Camperdown, (g) charter within twenty (20) miles radius of Curdie Vale to named places, (h) interchangeability on the following licence Nos. A.216, A.235, A.375, A.565, A.894, A.923, A.1273, A.1390, A.1654, A.2084, A.2085, and A.2086 as a substitution, but not in addition; A.839; 9th September, 1951.
- LANE, A. L. (trading as Lane's Bus Service), 159 Raglan-parade, Warrnambool; as a stage omnibus on the following routes:—(a) Between Koroit and Port Fairy, via Crossley, Killarney, Mayne, Toolong, Rosebrook, and Port Fairy, (b) between Koroit and Killarney Beach, (c) goods may be carried up to 56 lb., (d) specified day tours from Koroit to named places, (e) charter within twenty (20) mile radius of Koroit to named places, (f) interchangeability on the following licence Nos. A.216, A.235, A.375, A.565, A.839, A.923, A.1235, A.1273, A.1390, A.1654, A.2084, A.2085, A.2086, A.2167, A.2533, A.2907, and A.2908, as a substitution but not in addition; A.894; 9th September, 1951.
- LESLIE, W., Box 21, Minyip; (a) School service between Minyip and the Warracknabeal High School, (b) under charter conditions within a twenty (20) mile radius of Minyip and named places; A.2094; 1st September, 1951.
- LUSTON, S. H., Hepburn Springs; (a) At separate and distinct fares within eight (8) mile radius of Daylesford, (b) under private hire conditions within fifty (50) mile radius of Daylesford, (c) specified day tours from Daylesford to named places; A.201; 14th September, 1951.
- MARCHAM, H. L., Hepburn-road, Daylesford; (a) At separate and distinct fares within eight (8) mile radius of Daylesford, (b) under private hire conditions within fifty (50) mile radius of Daylesford, (c) specified day tours from Daylesford to named places; A.196; 14th September, 1951.
- MARTYR, H. J., Main-street, Warburton; (a) At separate and distinct fares within a five (5) mile radius of Warburton for the carriage only of passengers who have travelled or intend to travel on the Warburton-Melbourne Service; A.2174; 1st September, 1951.
- MARTYNS SERVICE PTY. LTD., Vincent-street, Daylesford; (a) At separate and distinct fares within eight (8) mile radius of Daylesford, (b) under private hire conditions within fifty (50) mile radius of Daylesford, (c) specified day tours from Daylesford to named places; A.206; 14th September, 1951.
- MEDLYN, E., Gell-street, Bacchus Marsh; (a) School service between Bacchus Marsh and terminating at the Bacchus Marsh Higher Elementary School, via Glenmore, Rowsley, Balliang East, and Geelong-road, (b) charter within a twenty (20) mile radius of Bacchus Marsh to named places; A.2111; 1st September, 1951.
- MONTE, S. A., 83 Rae-street, Shepparton; as a stage omnibus on the following routes:—(a) School service between Invergordon South and the Shepparton High School, via Katandra West, Tallygaroopna, and Congupna, (b) between Shepparton and the Seymour Railway Station, via Mooroopna, Tatura, Murchison, and Nagambie, (c) specified day tours from Shepparton to named places, (d) charter conditions within a twenty (20) mile radius of Katandra West to named places, (e) charter within a twenty (20) mile radius of Tallygaroopna to named places, (f) charter within a twenty (20) mile radius of Shepparton to named places, (g) interchangeability on the following licence Nos. A.792, A.1182, A.1549, A.1723, A.2177; A.758; 7th September, 1951.
- MONTE, S. A., 83 Rae-street, Shepparton; (a) School service between Dookie and the Shepparton High School, (b) specified day tours from Shepparton to named places, (c) charter within a twenty (20) mile radius of Dookie to named places, (d) charter within a twenty (20) mile radius of Shepparton to named places, (e) interchangeability on the following licence Nos. A.728, A.1182, and A.1723; A.1549; 7th September, 1951.
- MONTE, S. A., 83 Rae-street, Shepparton; (a) School service between Pine Lodge North and the Shepparton High School, via Pine Lodge and Lemnos, (b) specified day tours from Shepparton to named places, (c) charter within a twenty (20) mile radius of Shepparton to named places, (d) interchangeability on the following licence Nos. A.758, A.792, A.1182, and A.1549; A.1723; 18th September, 1951.
- MORRISON, H. G., Emily-street, Seymour; (a) At separate and distinct fares within a five (5) mile radius of Seymour, (b) under private hire conditions within fifty (50) mile radius of Seymour; A.2357; 1st September, 1951.
- McMILLAN, H. F., 26 Benbow-street, Ararat; (a) Can be used as an additional vehicle to licence Nos. A.2081 and A.2098, and under the same terms and conditions as said licences; A.2097; 1st September, 1951.
- McMILLAN, H. F., 26 Benbow-street, Ararat; (a) School service between Willaura and the Ararat High School, via Maroona, Kiora, and Ross Bridge, (b) charter within twenty (20) mile radius of Ararat to named places; A.1250; 1st September, 1951.
- McMILLAN, H. F., 26 Benbow-street, Ararat; (a) School service commencing at Ararat High School, via Moyston, Rynmney, and Norval, returning to Ararat, (b) charter within twenty (20) mile radius of Ararat to named places; A.1251; 1st September, 1951.
- McRAE, M. E., Barkly-street, Dunolly; (a) School service between Dunolly and the Maryborough High and Technical Schools, via Havelock and Bet Bet, (b) between Dunolly and Maryborough, via Havelock and Bet Bet, (c) for the carriage of pupils from the Maryborough High and Technical Schools to school sports meetings and educational excursions within fifty (50) mile radius of Maryborough said schools, (d) charter within twenty (20) mile radius of Dunolly to named places; A.131; 14th September, 1951.
- McKINNON, H. C. (trading as Hepburn Spa Motors), Hepburn Springs; (a) At separate and distinct fares within an eight (8) mile radius of Daylesford, (b) under private hire conditions within fifty (50) miles radius of Daylesford, (c) specified day tours from Daylesford to named places; A.206; 14th September, 1951.
- McKINNON, H. C. (trading as Hepburn Spa Motors), Hepburn Springs; (a) At separate and distinct fares within an eight (8) mile radius of Daylesford, (b) under private hire conditions within fifty (50) miles radius of Daylesford, (c) specified day tours from Daylesford to named places; A.187; 14th September, 1951.
- OLIVER, G. H., Station-street, Cranbourne; (a) At separate and distinct fares within a five (5) mile radius of Cranbourne, (b) under private hire conditions within a fifty (50) miles radius of Cranbourne; A.2106; 1st September, 1951.
- PARKER BROTHERS, 45 Hope-street, Maryborough; (a) Between Maryborough Post Office and the Cairn-Curran Reservoir, Baringhup, (b) between Maryborough Post Office and the Maryborough Railway Station, (c) between Maryborough Post Office and Bowenvale, (d) between Maryborough Post Office and Carisbrook, (e) between Maryborough Post Office and Maryborough Showgrounds, (f) between Maryborough Post Office and Carisbrook Racecourse, (g) between Maryborough Post Office and Maryborough Recreation Reserve, (h) between Maryborough Post Office and Maryborough Golf Course, (i) between Maryborough Post Office and Craigie, (j) round route from Maryborough, via Inkerman-street, Gladstone-street, Timor-road, Hope-street, Holyrood-street, and Park-road, (k) round route from Maryborough, via Manners-street, Gillies-street, Majorca-road, Cambridge-street, and Nolan-street, (l) round route from Maryborough, via Nolan-street, Burke-street, South Brougham-street, Napier-street, Clarke-street, and Elgin-road, (m) between Maryborough and Castlemaine, (n) goods may be carried up to seven (7) cwt, (o) specified day tours from Maryborough to named places; A.185, A.817, and A.1996; 14th September, 1951.
- PARKER BROTHERS, 45 Hope-street, Maryborough; (a) At separate and distinct fares within a radius of six (6) miles of Maryborough, (b) under private hire conditions within fifty (50) miles radius of Maryborough; A.1073; 15th September, 1951.
- PASCOE, C. G., Main-street, Warburton; (a) At separate and distinct fares within a six (6) miles radius of Warburton, (b) under private hire conditions within fifty (50) miles radius of Warburton; A.2125; 1st September, 1951.

- PETERS, H. R., 542 Thurgood-street, Albury, New South Wales; to operate as a stage omnibus between the following routes:—(a) Between Beechworth and the border of New South Wales *en route* to and from Albury, New South Wales, via Wooragee, Yackandandah, Allan's Flat, and Staghorn Flat, (b) between Beechworth and the border of New South Wales, *en route* to and from Albury, New South Wales, via Wooragee, Yackandandah and Leneva, (c) goods may be carried up to five (5) cwt., (d) specified day tours from the border of New South Wales *en route* from Albury, New South Wales, to named places in Victoria, (e) charter within a twenty (20) miles radius from Wodonga to named places; A.2109; 1st September, 1951.
- PINCINI, E., Mirboo North; (a) stage omnibus between Morwell and Leongatha, via Yinnar, Boolarra-road, and the Boolarra-Morwell road, (b) under private hire conditions within fifty (50) miles radius of Mirboo North; A.132; 15th September, 1951.
- PORTER, R., 121 High-street, Kyneton; (a) at separate and distinct fares within a radius of 5 miles of Kyneton, (b) under private hire conditions within fifty (50) miles radius of Kyneton; A.153; 14th September, 1951.
- ROLLERI, E. R., Hepburn Springs; (a) at separate and distinct fares within an eight (8) miles radius of Daylesford, (b) under private hire conditions within fifty (50) miles radius of Daylesford, (c) specified day tours from Daylesford to named places; A.1127; 14th September, 1951.
- SLATTERY, F. M., Gisborne; (a) as a stage omnibus between Gisborne and Gisborne Railway Station, (b) goods may be carried up to 56 lb., (c) at separate and distinct fares within 7 miles radius of Gisborne, (d) under private hire conditions within a ten (10) miles radius of Gisborne; A.276; 23rd September, 1951.
- STEWART, E. (trading as Ringwood Bus Service), Thanet-street, Ringwood; as a stage omnibus on the following routes:—(a) Between Ringwood Railway Station and the Warrandyte Recreation Reserve, via Whitehorse-road and Warrandyte-road, (b) between Ringwood Railway Station and Brysons-road, via Whitehorse-road, Mt. Dandenong-road, Old Lilydale-road, and Whitehorse-road to Burnt Bridge Store, via Wonga Park and Plymouth-road, (c) between Ringwood Railway Station and corner of Deep Creek-road and Whitehorse-road, via Heatherdale-road, to corner of Heatherdale and Canterbury roads, via Whitehorse-road, (d) between Ringwood Railway Station and Pikes Corner and Ell Ell Vale-road, Wantirna, via Wantirna-road, to Ell Ell Vale-road, (e) between Ringwood Railway Station and corner of Canterbury-road and Bayswater-road, via Bedford-road, Alexander-road, and Canterbury-road, (f) round route from Ringwood Railway Station, via Whitehorse-road, Ringwood-road to Five Ways, via Plymouth-road, Old Coach-road, Ringwood-road, and Whitehorse-road, to Ringwood Railway Station, (g) from the Ringwood Railway Station to North Ringwood Railway Station, via Whitehorse-road, Ringwood-street, Loughnan-road, Wonga-road, Oban-road, and Warrandyte-road to North Ringwood Post Office, return via Warrandyte-road, Wonga-road, Loughnan-road, Ringwood-street, and Whitehorse-road to Ringwood Railway Station, (h) between East Ringwood and Cracedale Park Speed Coursing Ground, via Ringwood, Mitcham, Nunawading, Forest Hill, Mountain View Hotel, and Glen Waverley, (i) between Ringwood Railway Station and corner of Mt. Dandenong and Oban roads, via Whitehorse-road and Oban-road, (j) round route from Ringwood Railway Station, via Whitehorse-road, Heatherdale-road, Canterbury-road, Bedford-road, Dublin-road, Mt. Dandenong-road, Old Lilydale-road, and Whitehorse-road to the Ringwood Railway Station, (k) parcels may be carried on part (a) of routes and shall not exceed 56 lb., (l) mails and parcels may be carried on part (f) of routes and shall not exceed 56 lb., (m) charter within twenty (20) miles radius of Ringwood Post Office to named places; A.1080, A.1106, A.1670, A.1671, A.1672; 25th September, 1951.
- TANGEY, H. C., Stanley-street, Daylesford; (a) at separate and distinct fares within eight (8) miles radius of Daylesford, (b) under private hire conditions within fifty (50) miles radius of Daylesford, (c) specified day tours from Daylesford to named places; A.199; 14th September, 1951.
- TAYLOR, O., Station-road, Foster; as a stage omnibus on the following routes:—(a) School service between Woorarra East and Foster, via Toora, Port Franklin, and Bennison, (b) between Port Welshpool and Yarram Picture Theatre, (c) specified day tours from Welshpool to named places, (d) charter within a twenty (20) miles radius of Port Welshpool to named places; A.1318; 21st September, 1951.
- WARRANDYTE TRANSPORT SERVICE, 244 Nicholson-street, Fitzroy; as a stage omnibus on the following routes:—(a) Between Warrandyte and Melbourne, via Wonga Park, Deep Creek, Warrandyte Main-road, Bulleon-road, Doncaster-road, High-street, Kew, Studley Park-road, Johnston-street, Hoddle-street, Wellington-parade, and Flinders-street, (b) between Warrandyte and Melbourne, via Wonga Park, Deep Creek, Warrandyte Main-road, Andersons Creek-road, Doncaster-road, High-street, Kew, Studley Park-road, Johnston-street, Hoddle-street, Wellington-parade, and Flinders-street, (c) between Warrandyte and Melbourne, via Wonga Park, Deep Creek, Warrandyte Main-road, Templestowe, Lower Templestowe, High-street, Kew, Studley Park-road, Johnston-street, Hoddle-street, Wellington-parade, and Flinders-street, (d) between Box Hill Railway Station and Doncaster on a round route from the Box Hill Railway Station, via Station-street, Manningham-road, High-street, Serpells-road, Tickers-road, King-street, Blackburn-road, Doncaster-road, Station-street, to Box Hill Railway Station, (e) between Box Hill Railway Station and the Mitcham Railway Station, via Station-street, Doncaster Post Office, Mitcham-road, Donvale Post Office, thence via Mitcham-road to Mitcham Railway Station, (f) between Heidelberg Railway Station and Box Hill Railway Station, via Burgundy-street, Jika-street, Dora-street, Banksia-street, Warrandyte Main-road, Newmans-road, Lower Templestowe Post Office, via High-street and Station-street, (g) between Box Hill Railway Station and Warrandyte, via Station-street, Manningham-road, High-street to Lower Templestowe, and Templestowe Post Office, Warrandyte Main-road to Warrandyte Bridge at Wonga Park, (h) between Box Hill Railway Station and Warrandyte, via Station-street, White's Corner, Doncaster-road to Doncaster, Andersons Creek-road, Warrandyte-road, to Warrandyte Bridge at Wonga Park, (i) between the Heidelberg Railway Station and Warrandyte, via Burgundy-street, Jika-street, Dora-street, Banksia-street, Warrandyte Main-road to Warrandyte Bridge at Wonga Park, (j) charter within a twenty (20) miles radius of Warrandyte to named places, (k) charter within a twenty (20) miles radius of Box Hill to named places, subject to the further condition that no journeys shall be made to Lilydale or Fern Tree Gully; A.434, A.436, A.437, A.438, A.439, A.636, A.1771, A.1772, A.2387, A.2388, A.2389; 1st September, 1951.
- TOMASETTI, M. C., & E. M. HALL (trading as Warragul Bus Lines), Bourke-street, Warragul; as a stage omnibus on the following routes:—(a) School service between Neerim and the Warragul High School, (b) between Nayook and the Neerim South Picture Theatre, (c) between Neerim South and the Warragul Picture Theatre, via Crossover, Shady Creek turn-off, Yarragon turn-off, Buln Buln-road, and Nilma, (d) specified day tours from Warragul to named places, (e) charter within twenty (20) miles radius of Neerim to named places; A.2132; 1st September, 1951.
- WATERTON, H. W., Jamieson-street, Daylesford; as a stage omnibus on the following routes:—(a) Between Eganstown and the Daylesford Picture Theatre, (b) between Musk Vale and the Roman Catholic Church at Daylesford, (c) under private hire conditions for the carriage only of employees of the Daylesford Woollen and Worsted Pty. Ltd. to any point in the borough, (d) at separate and distinct fares to and from Daylesford Railway Station to guest houses situated in the borough or on the Daylesford-Hepburn road in the Shire of Glenlyon, (e) charter within twenty (20) miles radius of Daylesford to named places; A.2172; 14th September, 1951.
- WATERTON, H. W., Jamieson-street, Daylesford; (a) as a stage omnibus between Eganstown and Daylesford, (b) mails may be carried, (c) at separate and distinct fares within eight (8) miles radius of Daylesford, (d) under private hire conditions within fifty (50) miles radius of Daylesford, (e) specified day tours from Daylesford to named places; A.189; 14th September, 1951.
- WEDGE, D. E., Curdie-street, Cobden; as a stage omnibus on the following routes:—(a) Between Camperdown and Cobden, via Camperdown-road, (b) between Camperdown and Peterborough, via Cobden, Scott's Creek, Timboon, Paaratte Corner, and Heytesbury, (c) between Camperdown and Timboon, via Cobden, Scott's Creek, and Cowley's Creek Junction, (d) between Cobden and Warrnambool, via Elingamite, Aberfyne, South Ecklin, Naringal East, Laang, Naringal, and Allansford, (e) between Cobden and Colac, via South Burrumbet, Neil's-road to Carpendit, via Swan Marsh and Pirron Yallock, (f) school service between Cobden and Camperdown Higher

Elementary School, via Cob Rico and Maroghid, (g) school service between Elingamite and Camperdown Higher Elementary School, via Cobden, (h) school service between Gnotuk and Camperdown Higher Elementary School, (i) goods may be carried up to 1 cwt., (j) specified day tours from Camperdown and/or Cobden to named places, (k) charter within twenty (20) miles radius of Camperdown to named places, (l) charter within twenty (20) miles radius of Cobden to named places, (m) interchangeability on licence No. A.1431; A.2114; 1st September, 1951.

AUSSIE TOURS PTY. LTD., 230 Collins-street, Melbourne, C.1; to operate as touring omnibus as follows:—(a) On specified interstate tours, (b) on specified 3, 4, 5, 7, 8, 10, 12, 14, and 21 day tours; B.184, B.185, B.186; 29th September, 1951.

BENDER, E. A. & N. (trading as Benders Busways), 215 Aberdeen-street, Newtown, Geelong; (a) as touring omnibuses on specified day tours from Geelong under the terms and conditions of additional conditions document No. A.129, (b) as a special service omnibus (charter conditions) within a radius of twenty-five (25) miles of Geelong; C.129, C.130, C.131, C.132, C.173, C.174, C.220, C.229, C.230, C.231; 1st September, 1951.

COOK, I. J., 21 Fyansford-road, Herne Hill, Geelong; as a special service omnibus under charter conditions within twenty-five (25) miles radius of Geelong; C.237; 1st September, 1951.

JOHANSON, P. G., Station-street, Kangaroo Flat; as a special service omnibus under charter conditions within a radius of twenty-five (25) miles of Bendigo; C.232; 1st September, 1951.

MONTI, L. S., c/o 35 View-street, Bendigo; (a) As a touring omnibus on specified day tours from Bendigo, (b) as a special service omnibus (charter conditions) within a radius of twenty-five (25) miles of Bendigo and to named places; C.171; 29th September, 1951.

PARLOR CARS PTY. LTD., 88 Collins-street, Melbourne, C.1; (a) As a touring omnibus to operate specified day tours from Melbourne, under same terms and conditions as contained in additional conditions document C.203, (b) as a special service omnibus (charter conditions) within a radius of twenty-five (25) miles of Melbourne; C.203, C.204, C.205, C.206, C.207, C.219, C.228; 1st September, 1951.

WISE, J. T., c/o Elizabeth and Mary streets, Geelong; as a special service omnibus (charter conditions) within a radius of twenty (20) miles of Geelong; C.233; 1st September, 1951.

APPLICATIONS for renewal of private hire licences expiring in September, 1951:—

AITKEN, A., 149 Kent-street, Richmond; P.H.677.

AKERS, R. T., 11 Bowen-street, St. Kilda; P.H.345.

ALDERSON, W. C., 111 Main-street, Mornington; P.H.14.

ARCHER, E. J., Glenrowan; P.H.781.

ASKEW, R., Box 11, Timboon; P.H.756.

BARKER, F. W., 9 Davies-street, East Malvern; P.H.618.

BENNETT, A. A., 27 Rockby-road, South Yarra; P.H.119.

BRADLEY, T. E., 20 Thomas-street, Hampton; P.H.127.

BUTTERWORTH, F. C., 153 Abbotsford-street, North Melbourne; P.H.79.

DUFFY, A. W., 5 Uplands-road, Strathmore; P.H.664.

EASTLAKE, A., Box 12, Corryong; P.H.447.

GANGE, A. J., 214 Brunswick-street, Fitzroy; P.H.110.

GILLAM, J. H., Murchison; P.H.65.

GUNN, W. J., 217 Drummond-street, Ballarat; P.H.172.

IRWIN, J. P., 54 St. Vincent's-place, Albert Park; P.H.57.

LEGGETT, R. P., 20 Clonult-avenue, Highett; P.H.102.

LEWIS, N. C., 60 Amess-street, North Carlton; P.H.56.

LISTER, E. J., 17 Main-road, Ballarat; P.H.149.

LUCAS, J. E., 1212 Simpson-street, East Melbourne; P.H.156.

MURPHY, R. H., Rattray-road, Briar Hill, via Greensborough; P.H.671.

MCWADDELL, W., 4 Shelley-street, Elwood; P.H.559.

STIRLING, J., Post Office, Malmsbury; P.H.78.

STONE, C. T. M., Chute-street, Diamond Creek; P.H.455.

BROOK, G. R., 17 Abercorne-avenue, Ivanhoe; P.H.136.

NOTICE is hereby given that the applications made by the persons named below for licences to operate commercial passenger vehicles on the route or routes, or in the manner set out opposite their names, will be heard at a time and place to be communicated to the parties:—

Name of Applicant; Nature of Application.

ADAMS, R. W., & M. E. WILLIAMS, c/o York and Swansea roads, Montrose; application for variation of licence No. A.2504, to include the ability to extend the 6.50 a.m., 7.30 a.m., and 8.30 a.m. trips, departing Mt. Evelyn on the service at present operating between Mt. Evelyn and Lilydale, on to the corner of Maroon-dah Highway and Cave Hill-road, Lilydale.

CONSIDINE, G. A. P., Monash-road, Newborough; application for variation of licence No. A.272, to include the ability to increase the present private hire radius from 50 miles to 80 miles of Newborough Post Office.

CUMMING, A. R., & G. L. ROSS (trading as Ingleswood-Maryborough Bus Service), Nolan-street, Maryborough; 1 commercial passenger vehicle, with seating capacity for 33 persons, to operate as follows:—

(a) As a stage omnibus between Maryborough and Ballarat on Tuesday and Thursday only of each week.

Time Table.

Dep. 9.15 a.m.	Maryborough	Arr. 5.15 p.m.
Arr. 10.45 a.m.	Ballarat	Dep. 4.00 p.m.

(b) Under the same terms and conditions as at present authorized on licence No. A.2721, held by the applicant and subject to the cancellation of this licence.

DAVENPORT, F. J., Private Bag, Horsham; 1 commercial passenger vehicle, with seating capacity for 23 persons, to operate for the carriage only of school children between St. Helens and Horsham High School, in accordance with the terms of a contract entered into with the Education Department.

EGAN, L. J., & A. H. M. WEBB (trading as Hurstbridge Taxi and Engineer Service), Main-road, Hurstbridge; 5 commercial passenger vehicles, with seating capacity for five, five, five, nineteen, and twenty-seven persons respectively, to operate under the same terms and conditions as contained in licence Nos. A.234, A.2432, A.2679, A.3027, and A.3234, at present held by E. H. J. Lohrey, Hurstbridge, and subject to the cancellation of these licences.

GARNER, A. H., c/o Post Office, Tatura; 1 commercial passenger vehicle, with seating capacity for five persons, to operate as follows:—(a) at separate and distinct fares within a radius of five miles of Tatura Post Office, (b) under private hire conditions within a radius of 50 miles of Tatura Post Office (subject to the cancellation of licence No. A.1353, at present held by Mrs. J. F. Taylor, Tatura).

HENDERSON, F. A., Private Bag No. 50, Terang; 1 commercial passenger vehicle, with seating capacity for two persons, to operate as follows:—(a) for the carriage of passengers, mails, parcels, and newspapers between Terang and Ellerslie, via Framlingham and The Sisters, (b) for the carriage only of mails, parcels, and newspapers between Ellerslie and Woolongoon on Mondays, Wednesdays, and Fridays only of each week.

NOTE.—The authority in part (a) of application was previously held by R. E. Pownceby, Ellerslie, on licence No. A.2218.

JONES, M. H., Kergunyah, via Wodonga; 1 commercial passenger vehicle, with seating capacity for six persons, to operate for the carriage of passengers and mails between Kergunyah South and Wodonga, via Kergunyah, Kiewa, and Tangambalanga.

MCGILL, P. W., & E. A. TALLIS (trading as McGill and Tallis), 18 Egmont-street, Benalla; application for variation of licence No. A.2328, to include the ability to operate a service between Mansfield and Eildon Weir, via Maindample, Bonnie Doon, Merton, Yarck, Alexandra, and Thornton, as follows:—

TIME-TABLE.

Read Down.		Read Up.	
Dep. 9.25 p.m.	Mansfield	Arr. 8.10 a.m.	
Dep. 9.35 p.m.	Maindample	Dep. 8.00 a.m.	
Dep. 9.45 p.m.	Bonnie Doon	Dep. 7.50 a.m.	
Dep. 10.02 p.m.	Merton	Dep. 7.33 a.m.	
Dep. 10.42 p.m.	Alexandra	Dep. 6.54 a.m.	
Dep. 10.57 p.m.	Thornton	Dep. 6.38 a.m.	
Arr. 11.10 p.m.	Eildon Weir	Dep. 6.30 a.m.	

PLACE, J., 46 Graham-street, Wonthaggi; 1 commercial passenger vehicle, with seating capacity for five persons, to be purchased, to operate as follows:—(a) at separate and distinct fares within a radius of five miles of Wonthaggi Post Office, (b) under private hire conditions within a radius of 50 miles of Wonthaggi Post Office.

SPEED, J., Railway-place, Numurkah; 1 commercial passenger vehicle, with seating capacity for five persons, to be purchased, to operate as follows:—(a) at separate and distinct fares within a radius of five miles of Numurkah Post Office, (b) under private hire conditions within a radius of 50 miles of Numurkah Post Office.

APPPLICATIONS for licences to operate commercial passenger vehicles, with seating capacity for five persons, for the carriage of passengers throughout Victoria at otherwise than at separate and distinct fares for each passenger:—

- BROWN, C. T., Leah-avenue, Tecoma.
- CONSIDINE, G. A. P., Monash-road, Newborough.
- EGAN, L. J., & A. H. M. WEBB (trading as Hurstbridge Taxi and Engineer Service), Main-road, Hurstbridge (subject to the cancellation of licence No. P.H.1578, at present held by E. H. J. Lohrey, Hurstbridge).
- FRANKS, F. H., 52 Little Charles-street, Fitzroy (subject to the cancellation of licence No. P.H.269, at present held in the name of A. G. Float, Fitzroy).
- GANGE, A., 214 Brunswick-street, Fitzroy.
- GANGE, A., 214 Brunswick-street, Fitzroy.
- HAMLEY, E. R., 101 High-street, Bendigo.
- LAYTON, W. H., 10 Derby-street, Kew (to operate from Eildon Weir).
- LEURY, J. F., 14 Framer-street, Moorabbin.
- LEWIS, A. E., 41 Turner-street, Pascoe Vale South.
- MACKENZIE, M. R. F., Main-street, Welshpool (subject to the cancellation of licence No. P.H.1966, at present held by E. M. R. Upton, Welshpool).
- PHILLIPS, R. H., Ferntree Gully-road, Scoresby.
- RIDDINGTON, K. G., Box 56, P.O., Yackandandah (subject to the cancellation of licence No. P.H.606, at present held by E. I. Arnold, Yackandandah).
- SIMS, O. K., Marine-parade, Lorne (subject to the cancellation of licence No. P.H.1940, at present held by T. E. Simpson, Lorne).
- THOMSON, I. J., Nicholson-street, Orbost.
- WAUGH, R. S., Nepean Highway, Rye (subject to the cancellation of licence No. P.H.1575, at present held in the name of R. S. and E. A. Waugh, Rye).

NOTICE is hereby given that the applications made by the persons named below for licences to operate the commercial goods vehicles on the route or routes, or in the manner set out opposite their names, will be heard at a time and place to be communicated to the parties concerned:—

Name and Address; Nature of Application.

- THE BALLARAT BREWING Co. LTD., 309 Dana-street, Ballarat; 1 commercial goods vehicle (120 cwt.) for the carriage of beer within a radius of 50 miles of Ballarat in the course of business as "brewers of alcoholic beverages."
- BENNEL, C., 92 Wilson-street, Preston; 1 commercial goods vehicle (10 cwt.) for the carriage of lamps and ornaments being the property of the applicant throughout the State of Victoria.
- BISHOP, F. E., 163 Swanston-street, Melbourne; 1 commercial goods vehicle (6 cwt.) for the carriage of medicines and herbs being the property of the applicant in the course of business as "herbalist" throughout the State of Victoria.
- CURTIS, K. G., Mt. Taylor, via Bairnsdale; 1 commercial goods vehicle (88 cwt.) to operate throughout the State of Victoria for the carriage of road-making plant and materials.
- HAMPTON, H. W. (trading as Hampton Bros.), 131 Lincoln-road, North Essendon; 1 commercial goods vehicle (20 cwt.) for the carriage of—(a) general goods within a radius of 25 miles of Melbourne, (b) furniture within a radius of 50 miles of Melbourne.
- HOGAN, J. J., 11 Kellett-street, Northcote; 1 commercial goods vehicle (80 cwt.) for the carriage of—(a) general goods within a radius of 25 miles of Melbourne, (b) bricks within a radius of 40 miles of Melbourne, under contract to Northcote Brick Co.
- INNES, G. R., & SONS, 411 Hargreaves-street, Bendigo; 1 commercial goods vehicle for the carriage of wrecked and disabled vehicles throughout the State of Victoria.
- PEARCE, C. W., & SON PTY. LTD., 9 Trent-street, Burwood; 1 commercial goods vehicle (6 cwt.) for the carriage of painters' tools of trade, equipment, and paint in the course of business as "painting contractor" throughout the State of Victoria.
- PEDERICK, H. J., Box 12, Nathalia; 1 commercial goods vehicle (100 cwt.) for the carriage of—(a) general goods within a radius of 25 miles of Nathalia, (b) sawn timber from Murray Valley sawmills at Nathalia to State electricity projects at Bogong, Melbourne, and Bowen and Pommery timber yards at Melbourne.

SALTER, H., 5 Dudley-parade, Canterbury; 1 commercial goods vehicle (90 cwt.) for the carriage of—(a) general goods within a radius of 20 miles of Somerville, (b) terra cotta roofing tiles within a radius of 40 miles of Somerville.

WEBB, H. A. E., 128 Gordon-street, Traralgon; 1 commercial goods vehicle (100 cwt.) for the carriage of—(a) general goods within a radius of 20 miles of Traralgon, (b) bricks and tiles within a radius of 40 miles of Traralgon.

WHITE, G. W., 6 Grace-avenue, Warrnambool; 1 commercial goods vehicle (80 cwt.) for the carriage of—(a) general goods within a radius of 20 miles of Warrnambool, (b) logs from forest landings within a radius of 50 miles of Warrnambool to Le Couteur's mill at Warrnambool, (c) sawn timber from Le Couteur's mill at Warrnambool to consignees within a radius of 50 miles of Warrnambool, and to railway stations from various mills to railway stations in the aforesaid area.

Notice of any objection should be forwarded to reach the Secretary of the Board not later than Wednesday, 18th July, 1951.

E. V. FIELD,
Secretary.

Exhibition Buildings, Rathdown-street, Carlton, N.3, 2nd July, 1951.

Hawkers and Pedlers Act 1928.

LAW DEPARTMENT—SOLICITOR-GENERAL.

APPOINTMENT OF DAYS FOR CONSIDERATION OF LICENCE APPLICATIONS.

HIS Excellency the Governor of the State of Victoria, by and with the advice of the Executive Council thereof, doth by Order made on the 26th day of June, 1951, pursuant to the provisions of section 6 of the *Hawkers and Pedlers Act 1928*, in lieu of the days heretofore appointed, appoint the day and hour set forth in the third column of the Schedule below for holding general meetings of Justices for the special purpose of taking into consideration applications for hawkers' and pedlers' licences at the Court named in the first column of such Schedule in the Police District indicated, to take effect as from and inclusive of the date shown.

SCHEDULE.

Court.	Police District.	Day Appointed.	Date of Commencement.
Lang Lang	Gippsland	Every Wednesday at 10.30 a.m.	11th July, 1951.

A. MAHLSTEDT,
Clerk of the Executive Council.

At the Executive Council Chamber,
Melbourne, the 26th June, 1951.

CO-OPERATIVE HOUSING SOCIETIES ACTS.

NOTICE OF AMALGAMATION OF SOCIETIES.

NOTICE is hereby given that, pursuant to the provisions of the Co-operative Housing Societies Acts, Bentleigh-Moorabbin Co-operative Housing Society Limited, Burwood Co-operative Housing Society Limited, and Springvale Co-operative Housing Society Limited were amalgamated into one society under the name of Burleigh Vale Co-operative Housing Society Limited on the 28th day of June, 1951.

Dated at Melbourne this 28th day of June, 1951.

E. T. EBBELS,
Registrar of Co-operative Housing Societies.

BARLEY MARKETING ACT 1948.

I GEORGE COLIN MOSS, Minister of Agriculture, do hereby appoint Wednesday, the 15th day of August, 1951, as the day for the holding of an election of a representative of growers of barley in Victoria on the Australian Barley Board, and do further appoint Wednesday, the 18th day of July, 1951, as the day for nominations to be lodged with the Returning Officer (Mr. J. L. Eabry), at the office of the Chief Electoral Officer for the State of Victoria, Old Treasury Building, Spring-street, Melbourne, C.1.

Nominations will close at noon on nomination day.

GEORGE C. MOSS,
Minister of Agriculture.

28th June, 1951.

NOTICE TO MARINERS.
[No. 9 of 1951.]

AUSTRALIA.—VICTORIA.

(1) PORT PHILLIP.—ALTERATIONS IN LIGHTS.

Date.—On or about 5th July, 1951.

Details.—The colour of the lights of the following light beacons and buoys will be altered; other details remaining unchanged.

Light.	Position: Latitude S. Longitude E.		New Colour of Light.
	Deg.	Min.	
<i>South Channel.</i>			
Bowen	38	18	White
	144	42	
No. 10 Light Buoy	38	20	White
	144	51	
No. 11 Light Buoy	38	20	Red
	144	52	
<i>West Channel.</i>			
Tuckey	38	16	Red
	144	42	
Woodriff	38	15	Green
	144	43	
Grimes	38	14	Red
	144	44	
Knopwood	38	13	Green
	144	44	

(2) PORTLAND.—DRILLING TOWER REMOVED.

Former Notice No. 9 of 1950 (Temporary) hereby cancelled.

Charts Affected.—(1) 2747, 309, 1171, 1695B; (2) 1062.

Publications.—General Notice to Mariners respecting Navigation in Victorian Waters 1942, pages 106, 107, 118, 298, 299, 301, 302. Australia Pilot, Vol. II., 1944, page 73. List of Lights, Vol. 10, 1950, Nos. 2222, 2360, 2362, 2354, 2358.

D. S. STEVENSON,
Port Officer.

Ports and Harbors Branch,
Department of Public Works,
Melbourne, C.2, 26th June, 1951.

NOTICE TO MARINERS.
[No. 10 of 1951.]

AUSTRALIA.—VICTORIA.

PORT PHILLIP.—SPOIL GROUND.—ALTERATION IN LIGHT-BUOY STATION.

Date.—20th June, 1951.

Former Notice.—No. 10 of 1950, hereby cancelled.

Position.—Timeball Tower Light (Williamstown Light-house). Lat. 37 deg. 52 min. 08 sec. S. Long. 144 deg. 54 min. 39 sec. E. (approx.).

Position of Light-Buoy.—187 deg. 73 min. distant 8.82 miles from the above light, and 2 cables southward of former position.

Depth of Buoy.—10 fathoms (20th June, 1951).

Abridged Description.—Fl. R. 10 sec.

Description.—Spherical light-buoy painted in yellow and green horizontal stripes and showing a flashing red light every 10 seconds. Elevation—14 feet. Visibility—7 miles.

Remarks.—The buoy station lies midway between the south and west channel tracks, and marks the centre of the northern limit of the discharging ground for dredged spoil.

The buoy station will be subject to periodical alteration in a southerly direction, notice of which will issue in each instance.

Caution.—On no account must spoil be dumped from dredgers, steam or dump hoppers anywhere northward of this buoy.

Charts Affected.—B.A. No. 1171.

Publications.—General Notice to Mariners Respecting Navigation in Victorian Waters, 1942, pages 151 and 306. Australia Pilot, Vol. II., 1944, page 92.

D. S. STEVENSON,
Port Officer.

Ports and Harbors Branch,
Department of Public Works,
Melbourne, C.2, 27th June, 1951.

NOTICE TO MARINERS.
[No. 11 of 1951.]

AUSTRALIA.—VICTORIA.

PORTS OF GEELONG, PORT PHILLIP, AND VICTORIAN OUTPORTS
—MOORED DREDGER PASSING SIGNALS.

Date.—2nd July, 1951.

Details.—Passing signals which shall be exhibited by moored dredgers will be altered to the following:—

Starboard Hand Passing—

By Day—Black triangle at yardarm.

By Night—Green light over red light at yardarm.

Fog Signal—Unchanged.

Port Hand Passing—

By Day—Red square at yardarm.

By Night—Red light over green light at yardarm.

Fog Signal—Unchanged.

Publications Affected.—General Notice to Mariners Respecting Navigation in Victorian Waters, 1942, page 331. Australia Pilot, Vol. II., 1944, page 10.

D. S. STEVENSON,
Port Officer.

Ports and Harbors Branch,
Department of Public Works,
Melbourne, C.2, 2nd July, 1951.

Marine Act 1928.

AMENDMENT OF PILOTAGE RATES.

UNDER the powers in that behalf conferred by section 79 of the Marine Act 1928 and all other powers in that behalf enabling, the Marine Board of Victoria, with the approval of His Excellency the Governor in Council, doth ordain and determine:—

That on and after the date of publication in the Government Gazette, Schedule (C) of the "Regulations Relating to Pilots and Pilotage 1931" shall be amended as follows:—

II. OTHER PORTS.

The maximum amount payable for pilotage services inwards or outwards of the Port of Portland shall be increased from Ten pounds (£10) each way to Twelve pounds ten shillings (£12 10s.) each way, and the minimum amount payable shall be increased from Two pounds (£2) each way to Four pounds (£4) each way.

The foregoing ordinance and determination was passed at a meeting of the Marine Board of Victoria held on the 3rd day of May, in the year of our Lord One thousand nine hundred and fifty-one.

(SEAL) D. STEVENSON, President.
E. MASTERS, Member.
A. T. SMITHERS, Member.
R. S. ROHNER, Secretary.

Approved by the Governor in Council,
26th June, 1951.

A. MAHLSTEDT,
Clerk of the Executive Council.

Revocation and Excision of Crown Reservations Act 1947
(No. 5209).

REVOCATION OF PERMANENT RESERVATION IN THE TOWNSHIP OF BEECHWORTH.

HIS Excellency the Governor of the State of Victoria, by and with the advice of the Executive Council thereof, and in pursuance of the provisions of section 2 (1) of the Revocation and Excision of Crown Reservations Act 1947 (No. 5209), doth by this Order revoke the permanent reservation by Order in Council of the 4th day of April, 1898, of an area of 5 acres, in the Township of Beechworth, as a site for Hospital purposes, as notified on page 1334 of the Victoria Government Gazette of the 7th April, 1898.

A. MAHLSTEDT,
Clerk of the Executive Council.

At the Executive Council Chamber,
Melbourne, the 26th June, 1951.

Land Surveyors Act 1942 (No. 4939).
SURVEYORS BOARD OF VICTORIA.

THE Surveyors Board hereby gives notice that the next examination for Board's certificate of competency will be held at the Engineering School, Melbourne University, from Monday, the 27th August, to Monday, the 3rd September, 1951.

Applications for entry to this examination must reach the Secretary to the Board not later than Friday, 3rd August, 1951. All entries must be accompanied by the appropriate fee.

E. S. WESTGARTH, Secretary.

Office of the Surveyors Board,
Department of Crown Lands and Survey,
Melbourne, 26th June, 1951.

4 GEORGE VI. No. 4755, SECTION 6.

I HEREBY give notice that on the 22nd June, 1951, I filed elections to administer the following deceased persons' estates, in accordance with section 6 of the *Public Trustee Act 1940*:—

CRAVEN, FRANCIS, late of 217 a'Beckett-street, Melbourne, pensioner, died 11th February, 1951, intestate.

DAVIS, MARY ANN, late of 245 Glen Eira-road, Caulfield, widow, died 14th August, 1950, intestate.

†FREEMAN, EVELYN MYRTLE LILLIAN, also known as Evelyn Myrtle Freeman, formerly of 2 Menzies-avenue, Brighton Beach, and 321 Richardson-street, Middle Park, but late of 59 Spring-street, Port Melbourne, home duties, died 10th March, 1951.

HANCOCK, ELIZABETH ANN, late of 206 Neil-street, Ballarat, married woman, died 11th November, 1941, intestate.

JORDAN, HERBERT GEORGE, late of 107 Wilson-street, Horsham, pensioner, died 26th January, 1951, intestate.

KEBERIS, JANIS, late of 253 Glenlyon-road, East Brunswick, rubber worker, died 12th November, 1950, intestate.

KICHLER, WILLIAM, late of Royal Hotel, Wallangarra, Queensland, labourer, died 12th January, 1951, intestate.

MCCANCE, AUBREY WILLIAM, late of Warwick-road, Greensborough, engineer, died 10th November, 1950, intestate.

REID, RITA MARION ADA, late of 14 Berry-street, East Melbourne, married woman, died 9th April, 1951, intestate.

RIGGS, ALFRED WILLIAM, formerly of Mount Royal, Parkville, but late of Sunbury, pensioner, died 1st May, 1951, intestate.

RYCHENER, ALBERT, late of Nelson, labourer, died 6th April, 1951, intestate.

†THOMPSON, MARY, late of 224 Mansfield-street, Thornbury, married woman, died 19th April, 1951.

† According to the provisions of the will.

I HEREBY give notice that on the 25th June, 1951, I filed an election to administer the following deceased person's estate, in accordance with section 6 of the *Public Trustee Act 1940*:—

BATSON, ALICE MAUD, formerly Alice Maud Herrod, late of Surrey-road, Powelltown, married woman, died 8th April, 1951, intestate.

C. J. GARDNER,
Public Trustee.

412 Collins-street, Melbourne, C.1, 27th June, 1951.

NOTICE.

ADMINISTRATION of the estate of each of the under-mentioned deceased persons has been granted to me, and creditors, next of kin, and all others having claims against the estate of any of the persons so mentioned are required to send particulars of their claims to the Public Trustee, No. 412 Collins-street, Melbourne, on or before the 6th September, 1951, or they will be excluded from the distribution of the estate when the assets are being distributed:—

BATSON, ALICE MAUD, formerly Alice Maud Herrod, late of Surrey-road, Powelltown, married woman, died 8th April, 1951, intestate.

*BURNS, ROBERT, late of 29 Duke-street, St. Kilda, council employee, died 31st January, 1951.

*CALIS, BRIDGET ANNIE, also known as Annie Calis, late of 22 James-street, Williamstown, widow, died 24th March, 1951.

CRAVEN, FRANCIS, late of 217 a'Beckett-street, Melbourne, pensioner, died 11th February, 1951, intestate.

DAVIS, MARY ANN, late of 245 Glen Eira-road, Caulfield, widow, died 14th August, 1950, intestate.

DOWLING, EDWARD MICHAEL, late of 13 Cochrane-street, Brighton North, cordage manufacturer, died 9th April, 1951, intestate.

†FREEMAN, EVELYN MYRTLE LILLIAN, also known as Evelyn Myrtle Freeman, formerly of 2 Menzies-avenue, Brighton Beach, and 321 Richardson-street, Middle Park, but late of 59 Spring-street, Port Melbourne, home duties, died 10th March, 1951.

*GREEN, ERNEST REDFORD GARNER, late of The Holt, Wray Park-road, Reigate, Surrey, England, company director, died 26th January, 1949.

HANCOCK, ELIZABETH ANN, late of 206 Neil-street, Ballarat, married woman, died 11th November, 1941, intestate.

JORDAN, HERBERT GEORGE, late of 107 Wilson-street, Horsham, pensioner, died 26th January, 1951, intestate.

KEBERIS, JANIS, late of 253 Glenlyon-road, East Brunswick, rubber worker, died 12th November, 1950, intestate.

KICHLER, WILLIAM, late of Royal Hotel, Wallangarra, Queensland, labourer, died 12th January, 1951, intestate.

MAHER, MARY, formerly of 65 Barkly-street, Mordialloc, late of 17 Union-street, Armadale, widow, died 1st April, 1951, intestate.

MCCANCE, AUBREY WILLIAM, late of Warwick-road, Greensborough, engineer, died 10th November, 1950, intestate.

*NEWMAN, MARGARET AGNES, sometimes known as Margaret Newman, formerly of 3 Vaughan-street, Fitzroy, but late of 32 Fitzroy-street, Fitzroy, spinster, died 23rd March, 1951.

REID, RITA MARION ADA, late of 14 Berry-street, East Melbourne, married woman, died 9th April, 1951, intestate.

RIGGS, ALFRED WILLIAM, formerly of Mount Royal, Parkville, but late of Sunbury, pensioner, died 1st May, 1951, intestate.

*RYAN, WILLIAM, late of 24 Dalgety-street, St. Kilda, retired farmer, died 24th April, 1951.

RYCHENER, ALBERT, late of Nelson, labourer, died 6th April, 1951, intestate.

†THOMPSON, MARY, late of 224 Mansfield-street, Thornbury, married woman, died 19th April, 1951.

VEALE, DONALD LEONARD, late of 35 Elm-grove, Parkdale, builder, died 3rd March, 1951, intestate.

* With the will annexed.

† According to the provisions of the will.

C. J. GARDNER,
Public Trustee.

Melbourne, 27th June, 1951.

NOTICE.

ADMINISTRATION of the estate of the under-mentioned deceased person has been granted to me, and creditors, next of kin, and all others having claims against the estate are required to send particulars of their claims to the Public Trustee, No. 412 Collins-street, Melbourne, on or before the 4th September, 1951, or they will be excluded from the distribution of the estate when the assets are being distributed:—

NULTY, JOHN BOYD, late of Panorama-avenue, Ringwood, pensioner, died 25th January, 1951, intestate.

C. J. GARDNER,
Public Trustee.

412 Collins-street, Melbourne, C.1, 28th June, 1951.

DEPARTMENT OF CROWN LANDS AND SURVEY.

At the Executive Council Chamber, Melbourne, the twenty-sixth day of June, 1951.

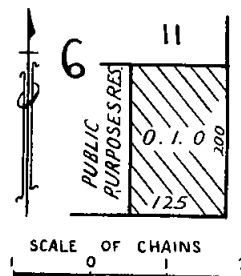
PRESENT:

His Excellency the Governor of Victoria.	
Mr. Brose	Mr. Mitchell
Mr. Harvey	Mr. White.

LAND TEMPORARILY RESERVED FROM SALE.

HIS Excellency the Governor of the State of Victoria, by and with the advice of the Executive Council thereof, doth hereby, in pursuance of the provisions of the *Land Act 1928*, reserve, temporarily, and also except from occupation for mining purposes under any miner's right, the land hereinafter described:—

COWES.—Site for Police purposes, 1 rood, Township of Cowes, Parish of Phillip Island, County of Mornington, as indicated by hachure on plan hereunder.—(C.443(8) (Rs.6647).



And the Honorable Sir Albert Lind, His Majesty's Commissioner of Crown Lands and Survey for the State of Victoria, shall give the necessary directions herein accordingly.

A. MAHLSTEDT,
Clerk of the Executive Council.

DEPARTMENT OF CROWN LANDS AND SURVEY.

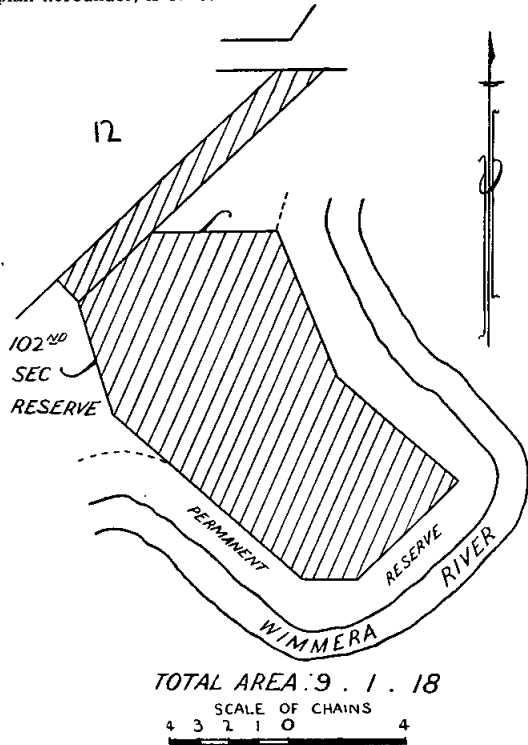
At the Executive Council Chamber, Melbourne, the twenty-sixth day of June, 1951.

PRESENT:

His Excellency the Governor of Victoria.
 Mr. Brose | Mr. Mitchell
 Mr. Harvey | Mr. White.

REVOCATION OF ORDER IN COUNCIL WITHHOLDING FROM SALE, LEASING, OR LICENSING CERTAIN LAND IN THE PARISH OF DOOEN.

HIS Excellency the Governor of the State of Victoria, by and with the advice of the Executive Council thereof, doth hereby, in pursuance of the provisions of the Land Act 1928, revoke the withholding from sale, leasing, and licencing, by Order in Council of the 25th October, 1880, of 44 acres, more or less, of land in the Parish of Dooen lying between the south-east boundary of allotment 12 and the Wimmera River so far only as the portion containing 9 acres 1 rood 18 perches, indicated by hachure on plan hereunder, is concerned.—(D.167(2) (C.60925).



And the Honorable Sir Albert Lind, His Majesty's Commissioner of Crown Lands and Survey for the State of Victoria, shall give the necessary directions herein accordingly.

A. MAHLSTEDT,
 Clerk of the Executive Council.

DEPARTMENT OF CROWN LANDS AND SURVEY.

At the Executive Council Chamber, Melbourne, the twenty-sixth day of June, 1951.

PRESENT:

His Excellency the Governor of Victoria.
 Mr. Brose | Mr. Mitchell
 Mr. Harvey | Mr. White.

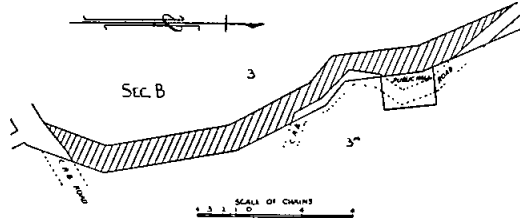
UNUSED AND UNMADE ROADS CLOSED.

HIS Excellency the Governor of the State of Victoria, by and with the advice of the Executive Council thereof, doth hereby direct that, in pursuance of the provisions of

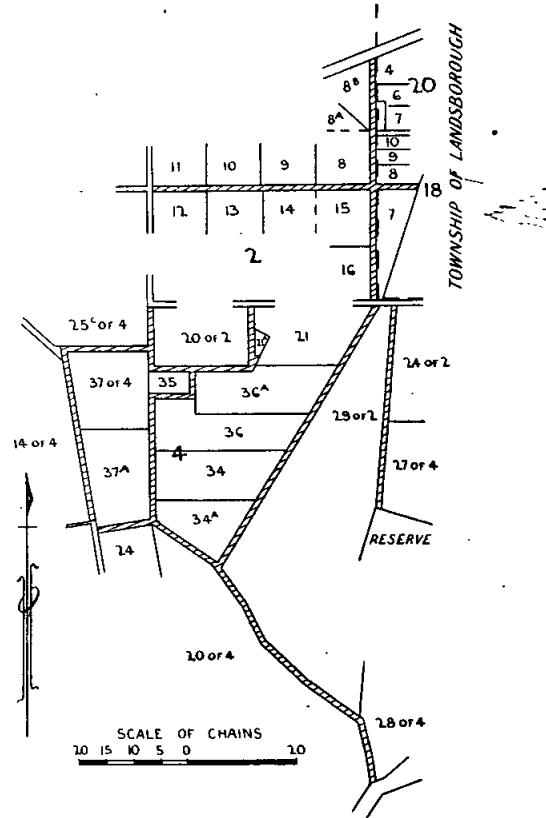
section 304 of the Land Act 1928 (No. 3709), the unused and unmade roads referred to hereunder be closed, viz.:—

Parish of Stawell, County of Borung, being the road between allotment 15, section 4, and allotments 16 and 5A, section 4.—(S.329(3) (Z.34964).

Parish of Jeeralang, County of Buln Buln, being the road indicated by hachure on plan hereunder.—(J.48(4) (C.89857).

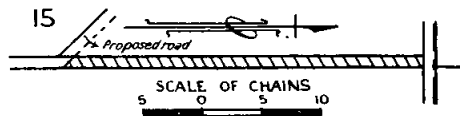


Township of Landsborough, and Parish of Landsborough, County of Kara Kara, being the roads indicated by hachure on plan hereunder.—(L.118(2) (L.119(6) (C.84962).



Parish of Castlemaine, County of Talbot, being the road abutting on the western boundary of allotment 29c, section A.—(C.100(46) (W.66106).

Parish of Bellellen, County of Borung, being the road indicated by hachure on plan hereunder.—(B.571(2) (Z.32685).



And the Honorable Sir Albert Lind, His Majesty's Commissioner of Crown Lands and Survey for the State of Victoria, shall give the necessary directions herein accordingly.

A. MAHLSTEDT,
 Clerk of the Executive Council.

DEPARTMENT OF CROWN LANDS AND SURVEY.

At the Executive Council Chamber, Melbourne, the twenty-sixth day of June, 1951.

PRESENT:

His Excellency the Governor of Victoria.	
Mr. Brose	Mr. Mitchell
Mr. Harvey	Mr. White.

REVOCATION OF TEMPORARY RESERVATIONS OF LANDS BY ORDERS IN COUNCIL.

HIS Excellency the Governor of the State of Victoria, by and with the advice of the Executive Council thereof, doth hereby, in pursuance of the provisions of the *Land Act 1928*, revoke the temporary reservations of the lands by Orders in Council hereinafter referred to, viz.:

BALLAARAT.—Order in Council of 21st August, 1928, of 8 acres 2 roods 30 perches of land in the Parish of Ballaarat as a site for Public purposes (State School Forest Plantation) so far only as regards the portion thereof comprised within the boundaries published in the *Government Gazette* of 30th May, 1951, and containing 1 rood 20 perches.—(Rs.3736.)

BENDIGO.—Orders in Council of 15th May, 1888, and 19th May, 1921, of 12 acres 3 roods 7 3/10 perches of land in the City of Bendigo as a site for Public Recreation.—(Rs.5949.)

And the Honorable Sir Albert Lind, His Majesty's Commissioner of Crown Lands and Survey for the State of Victoria, shall give the necessary directions herein accordingly.

A. MAHLSTEDT,
Clerk of the Executive Council.

VENEREAL DISEASES ACT 1928.

At the Executive Council Chamber, Melbourne, the twenty-sixth day of June, 1951.

PRESENT:

His Excellency the Governor of Victoria.	
Mr. Brose	Mr. Mitchell
Mr. Harvey	Mr. White.

PREMISES TO BE AN APPOINTED PLACE, UNDER THE PROVISIONS OF THE VENEREAL DISEASES ACT 1928.

HIS Excellency the Governor of the State of Victoria, by and with the advice of the Executive Council thereof, doth hereby—

- (1) revoke the whole of the Order dated the 17th day of August, 1927, in which the Venereal Diseases Hospital at Yarra Bend Reserve was made an appointed place, under the provisions of the *Venereal Diseases Act 1928*; and
- (2) order that the premises known as "Winlaton," situated at Springvale-road, Nunawading, shall be an appointed place, under the provisions of such Act.

And the Honorable William Oliver Fulton, His Majesty's Minister of Health for the State of Victoria, shall give the necessary directions herein accordingly.

A. MAHLSTEDT,
Clerk of the Executive Council.

HOSPITALS AND CHARITIES ACT 1948 (No. 5300).—SECTION 46.

At the Executive Council Chamber, Melbourne, the twenty-sixth day of June, 1951.

PRESENT:

His Excellency the Governor of Victoria.	
Mr. Brose	Mr. Mitchell
Mr. Harvey	Mr. White.

SEYMOUR MEMORIAL HOSPITAL.

WHEREAS a petition signed by not less than 25 contributors to Seymour Memorial Hospital, an institution capable of incorporation under the *Hospitals and Charities Act 1948* (No. 5300), praying that the said hospital be incorporated has been forwarded to the Hospitals and Charities Commission, in accordance with the provisions of section 46 of the said Act: And whereas the substance of the prayer of the said petition has been published in the *Government Gazette*: And whereas no

counter-petition has been lodged with the Hospitals and Charities Commission within one month after such publication: Now therefore His Excellency the Governor of the State of Victoria, by and with the advice of the Executive Council of the said State, does by this present Order declare the contributors for the time being to the hospital aforesaid to be a body corporate by the name of Seymour Memorial Hospital.

And the Honorable William Oliver Fulton, His Majesty's Minister of Health for the State of Victoria, shall give the necessary directions herein accordingly.

A. MAHLSTEDT,
Clerk of the Executive Council.

MOTOR OMNIBUS ACT 1928 (No. 3742).

At the Executive Council Chamber, Melbourne, the twenty-sixth day of June, 1951.

PRESENT:

His Excellency the Governor of Victoria.	
Mr. Brose	Mr. Mitchell
Mr. Harvey	Mr. White.

AMENDMENT OF PRESCRIPTION OF METROPOLITAN MOTOR OMNIBUS ROUTE No. 7 (SPENCER-STREET-VICTORIA DOCK).

HIS Excellency the Governor of the State of Victoria, by and with the advice of the Executive Council thereof, and in pursuance of the powers conferred by the *Motor Omnibus Act 1928* (No. 3742), doth by this Order amend, as from and inclusive of the second day of July, 1951, and as set out hereunder, the prescription of a certain route, viz.:—No. 7, within the metropolitan area, along which motor omnibuses for which "regular service" licences are granted may ply for hire, viz.:

Under the heading "Maximum number of motor omnibuses which may be licensed on route," amend "7" to read "10."

Licensing Authority.—Pursuant to the provisions of section 15 (1) (c) of the said Act (No. 3742), the Governor in Council by this Order confers upon the Licensing Authority full power and authority for the carrying into effect by the said Licensing Authority of the foregoing provisions of this Order.

And the Honorable Percy Thomas Byrnes, His Majesty's Commissioner of Public Works for the State of Victoria, shall give the necessary directions herein accordingly.

A. MAHLSTEDT,
Clerk of the Executive Council.

MOTOR OMNIBUS ACT 1928 (No. 3742).

At the Executive Council Chamber, Melbourne, the twenty-sixth day of June, 1951.

PRESENT:

His Excellency the Governor of Victoria.	
Mr. Brose	Mr. Mitchell
Mr. Harvey	Mr. White.

ABOLITION OF CERTAIN METROPOLITAN MOTOR OMNIBUS ROUTES.

HIS Excellency the Governor of the State of Victoria, by and with the advice of the Executive Council thereof, and in pursuance of the powers conferred by the *Motor Omnibus Act 1928* (No. 3742), doth by this Order revoke as from and inclusive of the 1st day of July, 1951, the prescriptions of the under-mentioned three routes, and doth direct that the said routes shall be deemed to be abolished accordingly, viz.:

- No. 80A (Newport).
- No. 113A (Maidstone-Yarraville).
- No. 119A (Gardiner-Burwood).

Licensing Authority.—Pursuant to the provisions of section 15 (1) (c) of the said Act (No. 3742), the Governor in Council by this Order confers upon the Licensing Authority full power and authority for the carrying into effect by the said Licensing Authority of the foregoing provisions of this Order.

And the Honorable Percy Thomas Byrnes, His Majesty's Commissioner of Public Works for the State of Victoria, shall give the necessary directions herein accordingly.

A. MAHLSTEDT,
Clerk of the Executive Council.

PUBLIC SERVICE ACT 1946.

*At the Executive Council Chamber, Melbourne, the
twenty-sixth day of June, 1951.*

PRESENT:

His Excellency the Governor of Victoria.

Mr. Brose		Mr. Mitchell
Mr. Harvey		Mr. White.

REGULATIONS:

IN pursuance of the powers conferred by the *Public Service Act 1946*, His Excellency the Governor of the State of Victoria, by and with the advice of the Executive Council thereof, doth hereby amend the Public Service (Governor in Council) Regulations in the manner following, that is to say:—

PART IV.—LEAVE OF ABSENCE.

SICK LEAVE.

Regulation 41.

Sub-regulation (1) of the above-mentioned Regulation shall be deleted and the following sub-regulation shall be inserted in lieu thereof:—

“(1) Where the Permanent Head is satisfied that the illness of an officer or employee with at least six months' service is directly attributable to or is aggravated by his service in the war which commenced in the year One thousand nine hundred and fourteen or in the year One thousand nine hundred and thirty-nine, such officer or employee may, apart from any sick leave which may be standing to his credit, be credited with special leave with full pay amounting to eight days in respect of each year of service from the 1st July, 1947, to the 30th June, 1951, and with fifteen days' special leave with full pay in respect of each year of service from and inclusive of the 1st July, 1951.

Such special leave shall be cumulative provided that the total of such accumulated leave standing to the credit of an officer or employee shall not at any time exceed one hundred days.”

And the Honorable John Gladstone Black McDonald, His Majesty's Premier for the State of Victoria, shall give the necessary directions herein accordingly.

A. MAHLSTEDT,
Clerk of the Executive Council.

INFECTIOUS DISEASES HOSPITAL ACT 1928.

*At the Executive Council Chamber, Melbourne, the
twenty-sixth day of June, 1951.*

PRESENT:

His Excellency the Governor of Victoria.

Mr. Brose		Mr. Mitchell
Mr. Harvey		Mr. White.

AMENDMENT OF REGULATIONS WITH RESPECT TO THE DISEASES WHICH MAY BE TREATED AT THE QUEEN'S MEMORIAL INFECTIOUS DISEASES HOSPITAL.

UNDER the powers conferred by section 39 of the *Infectious Diseases Hospital Act 1928* and all other powers enabling him in that behalf, His Excellency the Governor of the State of Victoria, by and with the advice of the Executive Council of the said State, doth hereby make the Regulations following (that is to say):—

1. These Regulations shall come into operation upon publication in the *Government Gazette*.

2. Regulation 2 of Regulations under the *Infectious Diseases Hospital Act 1928*, published in the *Government Gazette* of the 3rd December, 1930, on page 3182, is hereby amended by the addition at the end thereof of the following expression:—

“(s) Tuberculosis.”

And the Honorable William Oliver Fulton, His Majesty's Minister of Health for the State of Victoria, shall give the necessary directions herein accordingly.

A. MAHLSTEDT,
Clerk of the Executive Council.

Water Acts.
STATE RIVERS AND WATER SUPPLY COMMISSION.

At the Executive Council Chamber, Melbourne, the
twenty-sixth day of June, 1951.

PRESENT:

His Excellency the Governor of Victoria.	
Mr. Brose	Mr. Mitchell
Mr. Harvey	Mr. White.

YELTA WATERWORKS DISTRICT.—DISTRICT
EXTENDED.—PORTION EXCISED.

UNDER the powers conferred by the Water Acts and all other powers enabling him in that behalf, His Excellency the Governor of the State of Victoria, with the advice of the Executive Council of the said State, on the recommendation of the State Rivers and Water Supply Commission, doth hereby declare, order, and direct as follows:—

Firstly, that the Yelta Waterworks District be extended by adding to the same the lands set out and described in the First Schedule hereto, and as on and from the 1st day of July, 1951, the said Yelta Waterworks District shall be deemed to be so extended.

Secondly, that there shall be excised from the Yelta Waterworks District that portion of the same set out and described in the Second Schedule hereto, which portion, as from the 30th day of June, 1951, shall be deemed to be excised accordingly.

FIRST SCHEDULE.

1. All those pieces of land being allotments 30, 31, 32, and 33, Parish of Wargan, also allotment 20, Parish of Tulillah, all in the County of Millewa.

SECOND SCHEDULE.

Commencing at the south-eastern angle of allotment 18, Parish of Tulillah, County of Millewa; thence generally westerly by the northern boundary of a road to the south-western angle of allotment 15A; thence northerly by the western boundary of said allotment 15A and a line in continuation thereof to the southern boundary of allotment 15; thence generally easterly by the last-mentioned boundary to the western boundary of allotment 16; thence northerly by the last-mentioned boundary to the north-western angle of said allotment 16; thence easterly by the northern boundary of said allotment 16 and a line in continuation thereof to the north-western boundary of allotment 17A; thence north-easterly by the last-mentioned boundary to the most westerly angle of allotment 17A; thence south-easterly by the south-western boundary of said allotment 17A to its most southerly angle; thence generally northerly and easterly by the boundaries of a channel reserve to a point in line with the eastern boundary of allotment 18 all in said Parish of Tulillah; thence southerly by a line and the last-mentioned boundary to the point of commencement.

The lands described in the foregoing Schedules are shown on a plan approved by the Governor in Council, and deposited in the office of the State Rivers and Water Supply Commission, Melbourne.—(Corres. 51/12970A.)

And the Honorable Richard Keats Brose, His Majesty's Minister of Water Supply for the State of Victoria, shall give the necessary directions herein accordingly.

A. MAHLSTEDT,
Clerk of the Executive Council.

Water Acts.
STATE RIVERS AND WATER SUPPLY COMMISSION.

At the Executive Council Chamber, Melbourne, the
twenty-sixth day of June, 1951.

PRESENT:

His Excellency the Governor of Victoria.	
Mr. Brose	Mr. Mitchell
Mr. Harvey	Mr. White.

MILLEWA WATERWORKS DISTRICT.—DISTRICT
EXTENDED.—PORTIONS EXCISED.

UNDER the powers conferred by the Water Acts and all other powers enabling him in that behalf, His Excellency the Governor of the State of Victoria, with the advice of the Executive Council of the said State, on the recommendation of the State Rivers and Water Supply Commission, doth hereby declare, order, and direct as follows:—

Firstly, that the Millewa Waterworks District be extended by adding to the same the lands set out and described in the First Schedule hereto, and as on and from the first day of July, 1951, the said Millewa Waterworks District shall be deemed to be so extended.

Secondly, that there shall be excised from the Millewa Waterworks District those portions of the same set out and described in the Second Schedule hereto, which portions, as from the thirtieth day of June, 1951, shall be deemed to be excised accordingly.

FIRST SCHEDULE.

Commencing at the south-eastern angle of allotment 18, Parish of Tulillah, County of Millewa; thence generally westerly by the northern boundary of a road to the south-western angle of allotment 15A; thence northerly by the western boundary of said allotment 15A and a line in continuation thereof to the southern boundary of allotment 15; thence generally easterly by the last-mentioned boundary to the western boundary of allotment 16; thence northerly by the last-mentioned boundary to the north-western angle of said allotment 16; thence easterly by the northern boundary of said allotment 16 and a line in continuation thereof to the north-western boundary of allotment 17A; thence north-easterly by the last-mentioned boundary to the most westerly angle of allotment 17A; thence south-easterly by the south-western boundary of said allotment 17A to its most southerly angle; thence generally northerly and easterly by the boundaries of a channel reserve to a point in line with the eastern boundary of allotment 18, all in said Parish of Tulillah; thence southerly by a line and the last-mentioned boundary to the point of commencement.

SECOND SCHEDULE.

Portion 1.—All those pieces of land being allotments 30, 31, 32, and 33, Parish of Wargan, also allotment 20, Parish of Tulillah, all in the County of Millewa.

Portion 2.—All those pieces of land being allotment 34, Parish of Karween, County of Millewa, together with the road forming the southern boundary of said allotment 34.

The lands described in the foregoing Schedules are shown on a plan approved by the Governor in Council, and deposited in the office of the State Rivers and Water Supply Commission, Melbourne.—(Corres. No. 51/12970A.)

And the Honorable Richard Keats Brose, His Majesty's Minister of Water Supply for the State of Victoria, shall give the necessary directions herein accordingly.

A. MAHLSTEDT,
Clerk of the Executive Council.

Water Acts.

STATE RIVERS AND WATER SUPPLY COMMISSION.

*At the Executive Council Chamber, Melbourne, the
twenty-sixth day of June, 1951.*

PRESENT:

His Excellency the Governor of Victoria.	
Mr. Brose	Mr. Mitchell
Mr. Harvey	Mr. White.

TYNTYNDER WATERWORKS DISTRICT.—PORTION
EXCISED.

UNDER the powers conferred by the Water Acts and all other powers enabling him in that behalf, His Excellency the Governor of the State of Victoria, with the advice of the Executive Council of the said State, on the recommendation of the State Rivers and Water Supply Commission, doth hereby declare, order, and direct as follows:—

That there shall be excised from the Tyntynder Waterworks District that portion of the same set out and described in the Schedule hereto, which portion as from the thirtieth day of June, 1951, shall be deemed to be excised accordingly.

SCHEDULE.

Commencing at the south-western angle of allotment 34, Parish of Koimbo, County of Karkaroc; thence westerly by a line and the southern boundaries of allotments 18 and 19, Parish of Geera, to the south-eastern angle of allotment 20; thence northerly by the eastern boundary of said allotment 20 to the north-eastern angle thereof; thence westerly by the southern boundaries of allotments 19, 21, 22, 22A, 25, 28, and 29A, and lines connecting those boundaries to the south-western angle of the last-mentioned allotment; thence generally north-easterly by the western and northern boundaries of said allotment 29A and allotment 28 aforesaid to the north-western angle of said allotment 28; thence generally easterly by the southern boundary of a road to a point in line with the western boundary of allotment 8; thence northerly by a line and western boundaries of allotments 8 and 7 to the north-western angle of said allotment 7; thence westerly and northerly and generally easterly by the southern, western, and northern boundaries of allotment 6 to a point in line with the western boundary of allotment 34, Parish of Annuello; thence northerly by a line and the last-mentioned boundary to the north-western angle thereof; thence easterly by the northern boundary of said allotment 34 and a line in continuation thereof to the western boundary of allotment 30; thence generally north-westerly by the eastern boundary of a road to the most westerly angle of allotment 19; thence easterly and southerly by the northern and eastern boundaries of said allotment 19 to the north-western angle of allotment 31; thence easterly by the northern boundary of said allotment 31, all in said Parish of Annuello, and a line in continuation thereof to the western boundary of allotment 41, Parish of Margooya; thence generally northerly by the last-mentioned boundary to the north-western angle of said allotment 41; thence generally easterly by the northern boundaries of allotments 41 and 36 and a line connecting those boundaries, and south-easterly by the north-eastern boundary of the last-mentioned allotment and a line in continuation thereof to the north-western boundary of allotment 37; thence generally north-easterly by the last-mentioned boundary to a point in line with the south-western boundary of allotment 32B; thence north-westerly by a line and the last-mentioned boundary, north-easterly by the north-western boundaries of allotments 32B and 30A and south-easterly by the north-eastern boundary of said allotment 30A to the most easterly angle thereof; thence north-easterly by the north-western boundary of allotment 28 and south-easterly by the north-eastern boundary of that allotment to the most easterly angle thereof; thence by a line bearing S. 49 deg. 58 min. W. to the south-eastern boundary of the road adjoining the south-eastern boundary of said allotment 28; thence generally south-westerly by the last-mentioned boundary to the northern boundary of allotment 38; thence generally easterly and southerly by the northern and eastern boundaries of said allotment 38, all in the Parish of Margooya, and by a line in continuation of the last-mentioned boundary to the northern boundary of allotment 15A, Parish of Wandown; thence generally easterly by the southern boundary of a road to the north-western angle of allotment 9B; thence generally northerly by a line and the western boundaries of allotments 9A and 8 to the north-western angle of the last-mentioned allotment; thence easterly by the northern boundaries of allotments 8 and 7, all in the said Parish of Wandown, and a line in continuation thereof to the western boundary of allotment 20, Parish of Koorkab, County of Tatchera;

thence northerly by the eastern boundary of a road to the north-western angle of allotment 1; thence generally easterly by the southern boundary of a road to the north-western angle of allotment 7, all in the said Parish of Koorkab; thence generally northerly by a line and the eastern boundary of a road to the south-western angle of allotment 5A, Parish of Yungera; thence easterly and northerly by the southern and eastern boundaries of the last-mentioned allotment to the north-eastern angle thereof; thence generally south-easterly by the southern boundary of a road to the north-eastern angle of allotment 9, Parish of Narrung; thence southerly by the eastern boundary of said allotment 9 to the south-western angle of allotment 1B; thence easterly by the northern boundaries of allotments 10 and 11 and a line connecting those boundaries to the north-eastern angle of said allotment 11, all in the said Parish of Narrung; thence generally southerly by the western boundary of a road to a point in line with the northern boundary of allotment 26, Parish of Piambie; thence generally easterly and south-easterly by the northern and north-eastern boundaries of allotment 26 to a point in line with the northern boundary of allotment 27; thence easterly by a line and the last-mentioned boundary to the south-western angle of allotment 28; thence northerly by the western boundary of said allotment 28 to a point due west of a point in the eastern boundary of that allotment distant 67 chains south from the north-eastern angle thereof; thence easterly by a line to the eastern boundary of allotment 28; thence southerly by the eastern boundaries of allotments 28 and 32 and a line connecting those boundaries to the south-eastern angle of the last-mentioned allotment; thence westerly by the southern boundary of allotment 32 aforesaid to the south-western angle thereof; thence southerly by the eastern boundary of a road to the north-western angle of allotment 18A; thence easterly and southerly by the northern and eastern boundaries of said allotment 18A and by a line to the most easterly angle of allotment 18; thence south-westerly by the south-eastern boundary of allotment 18 to the south-eastern angle of that allotment; thence westerly by the southern boundaries of allotments 18 and 20 and by a line in continuation thereof to the eastern boundary of allotment 21; thence generally southerly by the last-mentioned boundary to the south-eastern angle of said allotment 21, all in the said Parish of Piambie; thence generally westerly by the northern boundary of a road to a point in line with the eastern boundary of allotment 11, Parish of Burra; thence southerly by a line and the last-mentioned boundary to the south-eastern angle of said allotment 11; thence westerly and northerly by the southern and western boundaries of that allotment to a point in line with the southern boundary of allotment 10; thence westerly by a line and the last-mentioned boundary and northerly by the western boundary of allotment 10 aforesaid to the north-western angle of that allotment; thence generally westerly by the northern boundary of allotment 1, all in the said Parish of Burra, to the north-western angle of that allotment; thence southerly by the eastern boundary of a road to the south-western angle of allotment 5, Parish of Coonimur; thence generally westerly by a line and the southern boundary of the Parish of Pines to the south-western angle of allotment 45, said Parish of Pines; thence generally northerly by the eastern boundary of a road to the south-western angle of allotment 27; thence generally westerly by the northern boundary of a road to the western boundary of the Parish of Pines aforesaid; thence generally northerly by the last-mentioned boundary to the northern boundary of the Parish of Myall; thence generally westerly by the last-mentioned boundary to the eastern boundary of allotment 3, said Parish of Myall; thence southerly, westerly, and northerly by the eastern, southern, and western boundaries of the last-mentioned allotment to a point in line with the southern boundary of allotment 2; thence westerly by a line, the last-mentioned boundary, and by a line in continuation thereof to the eastern boundary of allotment 20; thence southerly by the last-mentioned boundary to a point in line with the southern boundary of allotment 1; thence westerly by a line to the south-eastern angle of said allotment 1, all in the said Parish of Myall, and northerly by the eastern boundary of that allotment and by a line in continuation thereof to the southern boundary of allotment 34, Parish of Koimbo; thence westerly by the last-mentioned boundary to the point of commencement.

The portion described in the foregoing Schedule is shown on a plan approved by the Governor in Council, and deposited in the office of the State Rivers and Water Supply Commission, Melbourne.—(Corres. No. 51/13010)

And the Honorable Richard Keats Brose, His Majesty's Minister of Water Supply for the State of Victoria, shall give the necessary directions herein accordingly.

A. MAHLSTEDT,
Clerk of the Executive Council.

Water Acts.

STATE RIVERS AND WATER SUPPLY COMMISSION.

*At the Executive Council Chamber, Melbourne, the
twenty-sixth day of June, 1951.*

PRESENT:

His Excellency the Governor of Victoria.	
Mr. Brose	Mr. Mitchell
Mr. Harvey	Mr. White.

COREENA WATERWORKS DISTRICT.—DISTRICT
EXTENDED.—PORTIONS EXCISED.—ALTERATION
OF NAME OF DISTRICT.

UNDER the powers conferred by the Water Acts and all other powers enabling him in that behalf, His Excellency the Governor of the State of Victoria, with the advice of the Executive Council of the said State, on the recommendation of the State Rivers and Water Supply Commission, doth hereby declare, order, and direct as follows:—

Firstly, that the Coreena Waterworks District be extended by adding to the same the lands set out and described in the First Schedule hereto, and as on and from the 1st day of July, 1951, the said Coreena Waterworks District shall be deemed to be so extended.

Secondly, that there shall be excised from the Coreena Waterworks District those portions of the same set out and described in the Second Schedule hereto, which portions as from the 30th day of June, 1951, shall be deemed to be excised accordingly.

Thirdly, that as on and from the 1st day of July, 1951, the name of the Coreena Waterworks District, constituted by Order of the Governor in Council, bearing date the 12th day of June, 1928, shall be altered to "Tyntynder North Waterworks District."

FIRST SCHEDULE.

Commencing at the north-western angle of allotment 37, Parish of Annuello, County of Karkaroc; thence generally easterly by the northern boundaries of allotments 37 and 36 and a line connecting those boundaries to the western boundary of allotment 35; thence southerly, easterly, and northerly by the western, southern, and eastern boundaries of the last-mentioned allotment to its north-eastern angle; thence easterly by the northern boundary of allotment 34 and a line in continuation thereof to the western boundary of allotment 30; thence generally north-westerly by the eastern boundary of a road to the most westerly angle of allotment 19; thence easterly and southerly by the northern and eastern boundaries of said allotment 19 to the north-western angle of allotment 31; thence easterly by the northern boundary of said allotment 31, all in said Parish of Annuello, and a line in continuation thereof to the western boundary of allotment 41, Parish of Margooya; thence generally northerly by the last-mentioned boundary to the north-western angle of said allotment 41; thence generally easterly by the northern boundaries of allotments 41 and 36 and a line connecting those boundaries, and south-easterly by the north-eastern boundary of the last-mentioned allotment and a line in continuation thereof to the north-western boundary of allotment 37; thence generally north-easterly by the last-mentioned boundary to a point in line with the south-western boundary of allotment 32B; thence north-westerly by a line and the last-mentioned boundary, north-easterly by the north-western boundaries of allotments 32B and 30A and south-easterly by the north-eastern boundary of said allotment 30A to the most easterly angle thereof; thence north-easterly by the north-western boundary of allotment 28 and south-easterly by the north-eastern boundary of that allotment to the most easterly angle thereof; thence by a line bearing south 49 deg. 58 min. west to the south-eastern boundary of the road adjoining the south-eastern boundary of said allotment 28; thence generally south-westerly by the last-mentioned boundary to the northern boundary of allotment 38; thence generally easterly and southerly by the northern and eastern boundaries of said allotment 38, all in the Parish of Margooya, to the most northerly angle of allotment 14B, Parish of Wandown; thence generally easterly and southerly by the northern and eastern boundaries of the last-mentioned allotment and by a line across a road to the north-eastern angle of allotment 15A; thence generally easterly by the southern boundary of a road to the north-eastern angle of allotment 16; thence generally southerly by the eastern boundaries of allotments 16 and 17A, and easterly by the southern boundary of the said Parish of Wandown to the south-eastern angle of that parish; thence southerly by the western boundary of the Parish of Mirkoo to a point due west of the north-western angle of allotment 20 of that parish; thence easterly by a

line and the northern boundary of said allotment 20 to its north-eastern angle; thence southerly by the western and easterly by the southern boundaries of allotment 19 to its south-eastern angle; thence generally northerly by the eastern boundaries of allotments 19 and 2 and a line connecting those boundaries to the southern boundary of the Parish of Koorkab; thence easterly by the said parish boundary to the eastern boundary of allotment 40 of that parish; thence northerly by the last-mentioned boundary and generally westerly by the northern boundaries of said allotment 40 and by a line to the north-eastern angle of allotment 41; thence generally northerly by the western boundary of a road to a point in line with the southern boundary of allotment 3; thence easterly by a line and the last-mentioned boundary and a line in continuation thereof to the western boundary of allotment 4; thence northerly by the western and generally easterly by the northern boundaries of said allotment 4 and by a line across a road to the north-western angle of allotment 5; thence generally southerly by the western boundary of said allotment 5, easterly by the southern boundaries of allotments 5, 6, and 7, and a line connecting those boundaries and northerly by the eastern boundary of said allotment 7 and by a line across a road to the northern boundary of the Parish of Koorkab; thence generally easterly by the northern boundary of a road to the south-western angle of allotment 7, Parish of Narrung; thence generally southerly by the eastern boundary of a road to the northern boundary of allotment 29A, Parish of Koorkab; thence easterly by the northern boundaries of allotments 29A, 29, and 30 to the north-eastern angle of said allotment 30; thence generally southerly by the western boundary of a road to a point in line with the southern boundary of allotment 10, Parish of Piambie; thence easterly by a line, the southern boundaries of allotments 10, 9, 8, and 7, and a line connecting those boundaries, and generally northerly by the eastern boundaries of said allotment 7 to its most easterly angle; thence generally easterly by a line and the northern boundaries of allotments 6 and 5 and southerly by the eastern boundaries of allotments 5 and 17, to a point due west of the north-western angle of allotment 34; thence generally easterly by a line and the northern boundaries of allotment 34 and southerly by the eastern boundaries and westerly by the southern boundaries of that allotment to the south-eastern angle of allotment 18A; thence southerly by a line to the most easterly angle of allotment 18; thence south-westerly by the south-eastern boundary of allotment 18 to the south-eastern angle of that allotment; thence westerly by the southern boundaries of allotments 18 and 20 and by a line in continuation thereof to the eastern boundary of allotment 21; thence generally southerly by the last-mentioned boundary to the south-eastern angle of said allotment 21, all in the said Parish of Piambie; thence generally westerly by the northern boundary of a road to a point in line with the eastern boundary of allotment 11, Parish of Burra; thence southerly by a line and the last-mentioned boundary to the south-eastern angle of said allotment 11; thence westerly and northerly by the southern and western boundaries of that allotment to a point in line with the southern boundary of allotment 10; thence westerly by a line and the last-mentioned boundary and northerly by the western boundary of allotment 10 aforesaid to the north-western angle of that allotment; thence generally westerly by the northern boundary of allotment 1, all in the said Parish of Burra, to the north-western angle of that allotment; thence southerly by the eastern boundary of a road to the south-western angle of allotment 5, Parish of Coonimur; thence generally westerly by a line and the southern boundary of the Parish of Pines to the south-western angle of allotment 45, said Parish of Pines; thence generally northerly by the eastern boundary of a road to the south-western angle of allotment 27; thence generally westerly by the northern boundary of a road to the western boundary of the Parish of Pines aforesaid; thence generally northerly by the last-mentioned boundary to the northern boundary of the Parish of Myall; thence generally westerly by the last-mentioned boundary to the eastern boundary of allotment 3, said Parish of Myall; thence southerly, westerly, and northerly by the eastern, southern, and western boundaries of the last-mentioned allotment to a point in line with the southern boundary of allotment 2; thence westerly by a line, the last-mentioned boundary, and by a line in continuation thereof to the eastern boundary of allotment 20; thence southerly by the last-mentioned boundary to a point in line with the southern boundary of allotment 1; thence westerly by a line to the south-eastern angle of said allotment 1, all in the said Parish of Myall, and northerly by the eastern boundary of that allotment and by a line in continuation thereof to the southern boundary of allotment 34, Parish of Koimbo; thence generally westerly by the northern boundary of a road to the south-eastern angle of allotment 24, Parish of Geera; thence southerly by a line to the north-eastern angle of allotment 5, Parish of Winnambool; thence generally southerly by

the western boundaries of a road to the south-eastern angle of a water reserve adjoining allotment 7; thence westerly by the northern boundary of a road to a point in line with the western boundary of a road adjoining the eastern boundaries of allotment 21; thence generally south-westerly by a line and the said road boundary to the south-eastern angle of the last-mentioned allotment; thence generally westerly by the northern boundary of a road to a point in line with the eastern boundary of allotment 26; thence southerly by a line and the last-mentioned boundary to the south-eastern angle of allotment 26, all in the Parish of Winnambool; thence generally westerly by the southern boundaries of the Parishes of Winnambool and Gingimrick to the south-western angle of allotment 9, Parish of Gingimrick; thence generally northerly by the western boundaries of allotments 9 and 6A to the north-western angle of the last-mentioned allotment; thence easterly and northerly by the southern and eastern boundaries of allotment 6 to the most westerly angle of allotment 5; thence northerly by a line to the south-eastern angle of allotment 3; thence northerly and westerly by the eastern and northern boundaries of said allotment 3 to its north-western angle; thence generally northerly and westerly by the eastern and southern boundaries of a road to the north-western angle of allotment 1, Parish of Winnambool; thence generally northerly by a line and the eastern boundaries of allotments 30, 29A, 28, Water Reserve, and 3, Parish of Geera, to a point in line with the northern boundary of allotment 2; thence westerly by a line and the last-mentioned boundary and generally northerly by the western boundaries of the Parishes of Geera and Annuello to the point of commencement.

SECOND SCHEDULE.

Portion 1.—Commencing at the south-eastern angle of allotment 12, Parish of Liparoo, County of Karkaroc; thence generally westerly by the northern boundary of a road to the south-western angle of allotment 14; thence by a line bearing west to the western boundary of the said Parish of Liparoo; thence generally northerly by the last-mentioned boundary to the north-western angle of allotment 1; thence generally easterly by the northern boundaries of allotments 1 and 2 and generally southerly by the eastern boundaries of allotments 2 and 9 to a point in line with the northern boundary of allotment 13; thence easterly by a line and the last-mentioned boundary to the north-eastern angle of said allotment 13; thence southerly and easterly by the western and southern boundaries of allotment 4 to the north-eastern angle of allotment 12; thence southerly by the eastern boundary of said allotment 12 to the point of commencement.

Portion 2.—Commencing at the south-western angle of allotment 24, Parish of Annuello, County of Karkaroc; thence northerly by the western boundaries of allotments 24 and 11 to the north-western angle of said allotment 11; thence generally north-easterly by the south-eastern boundary of a road to the northern boundary of the said Parish of Annuello; thence generally easterly by the northern boundary of allotment 12A and southerly by the eastern boundary thereof and by a line in continuation of the last-mentioned boundary to the northern boundary of allotment 12; thence easterly by the last-mentioned boundary, southerly by the eastern boundaries of allotments 12 and 10, and westerly by the southern boundary of said allotment 10 and by a line in continuation thereof to the eastern boundary of allotment 11; thence southerly by the eastern boundaries of allotments 11 and 24, and westerly by the southern boundary of the last-mentioned allotment to the point of commencement.

Portion 3.—The whole of allotments 5A, 6, 7, and 10, Parish of Tol Tol; the northern portion of allotment 4, comprising approximately 10 acres and being the holding of P. V. Walsh, together with the roads between the said northern part of allotment 4 and allotment 5A, and between allotments 6 and 7, all in the said Parish of Tol Tol, County of Karkaroc.

Portion 4.—The whole of allotments 7, 7A, 8, and 19, Parish of Margooya, together with that part of a Water, Gravel, and Timber Reserve comprising about 118 acres and abutting the northern boundary of said allotment 7, and also the road adjoining the southern boundary of said allotment 7, all in the said Parish of Margooya; the whole of allotments 4A, 5, 5A, 6, 14, 15, and 16, Parish of Nenandie; together with the road between said allotments 4A and 5 and allotments 6, 15, and 5A, and the road adjoining the northern boundary of allotment 16; and together with the road adjoining the western boundaries of allotments 5A, 15, and 16 of the said Parish of Nenandie.

Portion 5.—The whole of allotments 30 and 30B, Parish of Margooya, together with that portion of a Water Reserve comprising about 15 acres adjoining the western boundary of said allotment 30.

The lands described in the foregoing Schedules are shown on a plan approved by the Governor in Council, and deposited in the office of the State Rivers and Water Supply Commission, Melbourne.—(Corres. 51/13010.)

And the Honorable Richard Keats Brose, His Majesty's Minister of Water Supply for the State of Victoria, shall give the necessary directions herein accordingly.

A. MAHLSTEDT,
Clerk of the Executive Council.

Water Acts. STATE RIVERS AND WATER SUPPLY COMMISSION.

At the Executive Council Chamber, Melbourne, the twenty-sixth day of June, 1951.

PRESENT:

His Excellency the Governor of Victoria.	
Mr. Brose	Mr. Mitchell
Mr. Harvey	Mr. White.

TYRRELL WATERWORKS DISTRICT.—PORTION EXCISED.

UNDER the powers conferred by the Water Acts and all other powers enabling him in that behalf, His Excellency the Governor of the State of Victoria, with the advice of the Executive Council of the said State, on the recommendation of the State Rivers and Water Supply Commission, doth hereby declare, order, and direct as follows:—

That there shall be excised from the Tyrrell Waterworks District that portion of the same set out and described in the Schedule hereto, which portion, as from the 30th day of June, 1951, shall be deemed to be excised accordingly.

SCHEDULE.

Commencing at the north-western angle of allotment 30, Parish of Geera, County of Karkaroc; thence easterly by the northern boundaries of allotments 30, 27, 26, 24, 23, and 20, and lines connecting those boundaries to the north-eastern angle of the last-mentioned allotment; thence southerly by the eastern boundary of allotment 20 to the south-eastern angle thereof; thence generally westerly by the northern boundary of a road to the south-eastern angle of allotment 24; thence southerly by a line to the north-eastern angle of allotment 5, Parish of Winnambool; thence generally southerly by the western boundaries of a road to the south-eastern angle of a water reserve adjoining allotment 7; thence westerly by the northern boundary of a road to a point in line with the western boundary of a road adjoining the eastern boundaries of allotment 21; thence generally south-westerly by a line and the said road boundary to the south-eastern angle of the last-mentioned allotment; thence generally westerly by the northern boundary of a road to a point in line with the eastern boundary of allotment 26; thence southerly by a line and the last-mentioned boundary to the south-eastern angle of allotment 26, all in the Parish of Winnambool; thence generally westerly by the southern boundaries of the Parishes of Winnambool and Gingimrick to the south-western angle of allotment 9, Parish of Gingimrick; thence generally northerly by the western boundaries of allotments 9 and 6A to the north-western angle of the last-mentioned allotment; thence easterly and northerly by the southern and eastern boundaries of allotment 6 to the most westerly angle of allotment 5; thence north-easterly by the north-western boundaries of the last-mentioned allotment to the most northerly angle of that allotment; thence northerly by the eastern boundary of the Parish of Gingimrick to a point in line with the northern boundary of aforesaid allotment 30, Parish of Geera; thence easterly by a line to the point of commencement.

The portion described in the foregoing Schedule is shown on a plan approved by the Governor in Council, and deposited in the office of the State Rivers and Water Supply Commission, Melbourne.—(Corres. No. 51/13010.)

And the Honorable Richard Keats Brose, His Majesty's Minister of Water Supply for the State of Victoria, shall give the necessary directions herein accordingly.

A. MAHLSTEDT,
Clerk of the Executive Council.

Water Acts.
STATE RIVERS AND WATER SUPPLY COMMISSION.

*At the Executive Council Chamber, Melbourne, the
twenty-sixth day of June, 1951.*

PRESENT:

His Excellency the Governor of Victoria.	
Mr. Brose	Mr. Mitchell
Mr. Harvey	Mr. White.

WYCHITELLA WATERWORKS DISTRICT.—DISTRICT
EXTENDED.—PORTIONS EXCISED.

UNDER the powers conferred by the Water Acts and all other powers enabling him in that behalf, His Excellency the Governor of the State of Victoria, with the advice of the Executive Council of the said State, on the recommendation of the State Rivers and Water Supply Commission, doth hereby declare, order, and direct as follows:—

1. That the Wychitella Waterworks District be extended by adding to the same the lands set out and described in the First Schedule hereto, and as on and from the first day of July, 1951, such district shall be deemed to be so extended.
2. That there shall be excised from the Wychitella Waterworks District those portions of the same set out and described in the Second Schedule hereto, which portions, as from the thirtieth day of June, 1950, shall be deemed to be excised accordingly.

FIRST SCHEDULE.

Commencing at the south-western angle of allotment 107c, Parish of Terrapee, County of Gladstone; thence northerly by the western boundary of that allotment to the north-western angle thereof; thence north-easterly by the south-eastern boundary of a road to the most westerly angle of allotment 105A; thence easterly by the southern boundary of the last-mentioned allotment and a line in continuation thereof to the western boundary of allotment 112; thence northerly, easterly, and southerly by the western, northern, and eastern boundaries of the last-mentioned allotment to the south-western angle of allotment 7; thence easterly by the southern boundary of allotment 7 to the south-western angle of allotment 8A; thence southerly by a line and generally south-westerly by the western boundaries of allotments 9A and 9 to the south-western angle of allotment 9; thence south-westerly by a line and the north-western boundary of a road forming the south-eastern boundary of allotment 112 to the south-western angle of that allotment; thence south-westerly by a line to the north-eastern angle of allotment 39; thence westerly by the northern boundary of allotment 39 and a line in continuation thereof to the eastern boundary of allotment 54; thence northerly and westerly by the eastern and northern boundaries of allotment 54 to the point of commencement.

SECOND SCHEDULE.

Portion 1.—Commencing at the north-western angle of allotment 53, Parish of Wychitella, County of Gladstone; thence north-easterly by the south-eastern boundary of a road to the most northerly angle of allotment 62; thence generally south-easterly by the western boundaries of allotment 63 to the north-western angle of allotment 64; thence easterly by the northern boundaries of allotments 64 and 66, southerly by the eastern boundary of allotment 66, westerly by the southern boundaries of allotments 66 and 64, and northerly by the western boundary of allotment 64 to a point in line with the southern boundary of allotment 59; thence westerly by a line and the southern boundaries of allotments 59, 59A, and 53 to the south-western angle of the last-mentioned allotment; thence northerly by the western boundary of allotment 53 to the point of commencement.

Portion 2.—Commencing at the north-eastern angle of allotment 32, section IV., Parish of Borung, County of Gladstone; thence southerly by the eastern boundary of that allotment to the south-eastern angle thereof; thence westerly by the southern boundaries of allotments 32 and 31 to the north-eastern angle of allotment 29; thence southerly by the eastern boundary of the last-mentioned allotment and westerly by the southern boundary of that allotment and a line in continuation thereof to the south-eastern angle of allotment 28; thence northerly by the eastern boundary of allotment 28 and westerly by the northern boundary of that allotment and a line in continuation thereof to the western boundary of allotment 26; thence northerly by the western boundary of a road to the

south-eastern angle of allotment 27; thence westerly by the southern boundary of that allotment, southerly and westerly by the eastern and southern boundaries of allotment 23, and westerly by a line in continuation of the last-mentioned boundary to the western boundary of allotment 22; thence northerly by the western boundary of a road to the north-eastern angle of allotment 21; thence easterly by the southern boundary of a road to the north-eastern angle of allotment 27; thence north-easterly by a line to the north-western angle of allotment 30; thence easterly by the northern boundaries of allotments 30, 31, and 32 to the point of commencement.

The lands set out and described in the first of the foregoing Schedules, and the portions set out and described in the Second Schedule, are shown on a plan approved by the Governor in Council, and deposited in the office of the State Rivers and Water Supply Commission, Melbourne.—(Corres. 51/11336, 51/13006, 51/8428, 50/19274.)

And the Honorable Richard Keats Brose, His Majesty's Minister of Water Supply for the State of Victoria, shall give the necessary directions herein accordingly.

A. MAHLSTEDT,
Clerk of the Executive Council.

Water Acts.
STATE RIVERS AND WATER SUPPLY COMMISSION.

*At the Executive Council Chamber, Melbourne, the
twenty-sixth day of June, 1951.*

PRESENT:

His Excellency the Governor of Victoria.	
Mr. Brose	Mr. Mitchell
Mr. Harvey	Mr. White.

MAFFRA-SALE IRRIGATION AND WATER SUPPLY
DISTRICT.—DISTRICT EXTENDED.

UNDER the powers conferred by the Water Acts and all other powers enabling him in that behalf, His Excellency the Governor of the State of Victoria, with the advice of the Executive Council of the said State, on the recommendation of the State Rivers and Water Supply Commission, doth hereby declare, order, and direct as follows:—

That the Maffra-Sale Irrigation and Water Supply District be extended by adding to the same the lands set out and described in the Schedule hereto, and as on and from the first day of July, 1951, such district shall be deemed to be so extended.

SCHEDULE.

1. Commencing at a point in the northern boundary of allotment 1, section A, Town of Heyfield, Parish of Tinamba, distant about 32 chains 42 4/10 links westerly from the north-eastern angle of that allotment; thence north by a line to the northern boundary of Seaton-road; thence easterly by that road boundary to the south-western angle of allotment 11, section B; thence south-easterly by a line to the north-eastern angle of allotment 41 (gravel reserve); thence south-westerly by the northern boundary of the last-mentioned allotment to a point due south of the point of commencement; thence north by a line to the point of commencement.

2. Commencing at the south-western angle of subdivision A of Crown allotment 181, Parish of Tinamba, County of Tanjil; thence northerly by the western boundary of said subdivision A a distance of 20 chains; thence east by a line to the eastern boundary of that subdivision; thence southerly by the last-mentioned boundary to the south-eastern angle of said subdivision A of Crown allotment 181; thence westerly by the southern boundary of that subdivision to the point of commencement.

The lands described in the foregoing Schedule are shown on a plan approved by the Governor in Council, and deposited in the office of the State Rivers and Water Supply Commission, Melbourne.—(Corres. No. 51/11381.)

And the Honorable Richard Keats Brose, His Majesty's Minister of Water Supply for the State of Victoria, shall give the necessary directions herein accordingly.

A. MAHLSTEDT,
Clerk of the Executive Council.

Water Acts.

WERRIBEE WATER SUPPLY DISTRICT.

At the Executive Council Chamber, Melbourne, the twenty-sixth day of June, 1951.

PRESENT:

His Excellency the Governor of Victoria.

Mr. Brose	Mr. Mitchell
Mr. Harvey	Mr. White.

LOCAL GOVERNING BODY.—WERRIBEE SHIRE COUNCIL.—DISTRICT EXTENDED.

UNDER the powers conferred by the Water Acts and all other powers enabling him in that behalf, His Excellency the Governor of the State of Victoria, with the advice of the Executive Council of the said State, on the recommendation of the State Rivers and Water Supply Commission, doth hereby declare, order, and direct as follows:—

That the Werribee Water Supply District, under the control of the Werribee Shire Council, as a local governing body, be extended by adding to the same the lands set out and described in the Schedule hereto, and as on and from the first day of July, 1951, such district shall be deemed to be so extended.

SCHEDULE.

1. Commencing at the north-eastern angle of Crown allotment 17A, section E, Parish of Deulgam, County of Bourke; thence southerly by the eastern boundary of said Crown allotment 17A to a point in line with the southern boundary of Crown allotment 2b of said section E; thence westerly by a line to the south-eastern angle of the last-mentioned Crown allotment; thence northerly by the eastern boundary of said Crown allotment 2b and by a line in continuation thereof to the northern boundary of the said Crown allotment 17A; thence easterly by the last-mentioned boundary to the point of commencement.

2. Commencing at the north-eastern angle of Crown allotment 17F, section E, Parish of Deulgam, County of Bourke; thence southerly by the eastern boundary of said Crown allotment 17F and a line in continuation thereof to the north-eastern boundary of Crown allotment 18A of said section E; thence north-westerly by the last-mentioned boundary, the north-eastern boundary of Crown allotment 18A, and a line connecting those boundaries to the eastern boundary of the Town of Werribee; thence northerly by the last-mentioned boundary to a point in line with the southern boundary of Crown allotment 17c of said section E; thence easterly by a line and the last-mentioned boundary to the south-eastern angle of the last-mentioned Crown allotment; thence southerly by a line in continuation of the eastern boundary of said Crown allotment 17c to the northern boundary of said Crown allotment 17F; thence easterly by the last-mentioned boundary to the point of commencement.

3. Commencing at the most easterly angle of Crown allotment 1, section E, Parish of Deulgam, County of Bourke; thence south-westerly by the south-eastern boundary of that allotment and a line in continuation thereof to the north-eastern boundary of Crown allotment 2; thence north-westerly by the last-mentioned boundary and a line in continuation thereof to the north-eastern boundary of Crown allotment 2a; thence north-westerly by the last-mentioned boundary to the most northerly angle of Crown allotment 2a; thence north-easterly by a line and the north-western boundary of Crown allotment 1 aforesaid to the most northerly angle of that allotment; thence south-easterly by the north-eastern boundary of said Crown allotment 1 to the point of commencement.

The lands described in the foregoing Schedule are shown on a plan approved by the Governor in Council, and deposited in the office of the State Rivers and Water Supply Commission, Melbourne.—(Corres. 48/6718, 51/7611.)

And the Honorable Richard Keats Brose, His Majesty's Minister of Water Supply for the State of Victoria, shall give the necessary directions herein accordingly.

A. MAHLSTEDT,

Clerk of the Executive Council.

Water Acts.

STATE RIVERS AND WATER SUPPLY COMMISSION.

At the Executive Council Chamber, Melbourne, the twenty-sixth day of June, 1951.

PRESENT:

His Excellency the Governor of Victoria.

Mr. Brose	Mr. Mitchell
Mr. Harvey	Mr. White.

MILLEWA CENTRAL WATERWORKS DISTRICT.—PORTION EXCISED.

UNDER the powers conferred by the Water Acts and all other powers enabling him in that behalf, His Excellency the Governor of the State of Victoria, with the advice of the Executive Council of the said State, on the recommendation of the State Rivers and Water Supply Commission, doth hereby declare, order, and direct as follows:—

That there shall be excised from the Millewa Central Waterworks District that portion of the same set out and described in the Schedule hereto, which portion, as from the 30th June, 1951, shall be deemed to be excised accordingly.

SCHEDULE.

All those pieces of land being the whole of allotment 37, Parish of Malloren, County of Millewa, together with the roads forming the northern and western boundaries of said allotment 37.

The portion set out and described in the foregoing Schedule is shown on a plan approved by the Governor in Council, and deposited in the office of the State Rivers and Water Supply Commission, Melbourne.—(Corres. No. 51/12970A.)

And the Honorable Richard Keats Brose, His Majesty's Minister of Water Supply for the State of Victoria, shall give the necessary directions herein accordingly.

A. MAHLSTEDT,

Clerk of the Executive Council.

Water Acts.

STATE RIVERS AND WATER SUPPLY COMMISSION.

At the Executive Council Chamber, Melbourne, the twenty-sixth day of June, 1951.

PRESENT:

His Excellency the Governor of Victoria.

Mr. Brose	Mr. Mitchell
Mr. Harvey	Mr. White.

MILLEWA AND MILLEWA CENTRAL WATERWORKS DISTRICTS UNITED SO AS TO FORM ONE DISTRICT.

UNDER the powers conferred by the Water Acts and all other powers enabling him in that behalf, His Excellency the Governor of the State of Victoria, with the advice of the Executive Council of the said State, on the recommendation of the State Rivers and Water Supply Commission, doth hereby declare, order, and direct as follows:—

That the Millewa Waterworks District and the Millewa Central Waterworks District be united so as to form one district, to be known as the Millewa Waterworks District, and that as on and from the 1st day of July, 1951, such districts shall be deemed to be so united.

The boundaries of the Millewa Waterworks District, as formed by this Order, are shown on a plan approved by the Governor in Council, and deposited in the office of the State Rivers and Water Supply Commission, Melbourne.—(Corres. No. 51/12974.)

And the Honorable Richard Keats Brose, His Majesty's Minister of Water Supply for the State of Victoria, shall give the necessary directions herein accordingly.

A. MAHLSTEDT,

Clerk of the Executive Council.

WATER ACTS.

At the Executive Council Chamber, Melbourne, the twenty-sixth day of June, 1951.

PRESENT:

His Excellency the Governor of Victoria.	
Mr. Brose	Mr. Mitchell
Mr. Harvey	Mr. White.

TATURA WATERWORKS TRUST.—EXTENT OF DISTRICT INCREASED.

UNDER the powers conferred by the Water Acts and all other powers enabling him in that behalf, His Excellency the Governor of the State of Victoria, with the advice of the Executive Council of the said State, doth hereby declare, order, and direct as follows:—

That the extent of the Waterworks District of the Tatura Waterworks Trust be increased by adding to the same the lands set out and described in the Schedule hereto, and as on and from the first day of July, 1951, the extent of such district shall be deemed to be increased accordingly.

SCHEDULE.

1. Commencing at the south-eastern angle of lot 34 on lodged plan of subdivision No. 5706, Parish of Toolamba West, County of Rodney; thence westerly by the southern boundary of that lot a distance of 2 chains; thence northerly by a line parallel to Ross-street to the northern boundary of Cussen-street; thence easterly by the last-mentioned boundary and southerly by the western boundary of Ross-street to the point of commencement.

2. The whole of allotment 3n, Parish of Toolamba West, County of Rodney, those portions of a channel reserve adjoining the northern and eastern boundaries of that allotment, and that portion of a road adjoining the southern boundary of that allotment and extending easterly to Ross-street.

All of which boundaries are shown on a plan approved by the Governor in Council, and deposited in the office of the State Rivers and Water Supply Commission, Melbourne.—(Corres. 51/11346.)

And the Honorable Richard Keats Brose, His Majesty's Minister of Water Supply for the State of Victoria, shall give the necessary directions herein accordingly.

A. MAHLSTEDT,
Clerk of the Executive Council.

Water Acts.

STATE RIVERS AND WATER SUPPLY COMMISSION.

At the Executive Council Chamber, Melbourne, the twenty-sixth day of June, 1951.

PRESENT:

His Excellency the Governor of Victoria.	
Mr. Brose	Mr. Mitchell
Mr. Harvey	Mr. White.

WIMMERA UNITED WATERWORKS DISTRICT.—DISTRICT EXTENDED.

UNDER the powers conferred by the Water Acts and all other powers enabling him in that behalf, His Excellency the Governor of the State of Victoria, with the advice of the Executive Council of the said State, on the recommendation of the State Rivers and Water Supply Commission, doth hereby declare, order, and direct as follows:—

That the Wimmera United Waterworks District be extended by adding to the same the lands set out and described in the Schedule hereto, and as on and from the first day of July, 1951, such district shall be deemed to be so extended.

SCHEDULE.

Commencing at the south-eastern angle of allotment 28, Parish of Wirchilleba, County of Kara Kara; thence northerly by the eastern boundaries of allotments 28, 29, 30, and 15 and a line in continuation thereof to the northern boundary of the Parish of Wirchilleba; thence easterly and southerly by the northern and eastern boundaries of that parish to the centre line of the Charlton

channel; thence generally westerly by the said channel centre line to the eastern boundary of allotment 132c; thence northerly by the last-mentioned boundary and westerly and northerly by the southern and western boundaries of allotment 132a to the north-western angle of that allotment; thence westerly by the southern boundary of a road to the north-western angle of said allotment 132c; thence northerly by the eastern boundary of a road to the south-western angle of allotment 21; thence westerly by the northern boundary of a road to the point of commencement.

The lands described in the foregoing Schedule are shown on a plan approved by the Governor in Council, and deposited in the office of the State Rivers and Water Supply Commission, Melbourne.—(Corres. 50/15481.)

And the Honorable Richard Keats Brose, His Majesty's Minister of Water Supply for the State of Victoria, shall give the necessary directions herein accordingly.

A. MAHLSTEDT,
Clerk of the Executive Council.

Water Acts.

STATE RIVERS AND WATER SUPPLY COMMISSION.

At the Executive Council Chamber, Melbourne, the twenty-sixth day of June, 1951.

PRESENT:

His Excellency the Governor of Victoria.	
Mr. Brose	Mr. Mitchell
Mr. Harvey	Mr. White.

WEST LODDON WATERWORKS DISTRICT.—PORTION EXCISED.

UNDER the powers conferred by the Water Acts and all other powers enabling him in that behalf, His Excellency the Governor of the State of Victoria, with the advice of the Executive Council of the said State, on the recommendation of the State Rivers and Water Supply Commission, doth hereby declare, order, and direct as follows:—

That there shall be excised from the West Loddon Waterworks District that portion of the same set out and described in the Schedule hereto, which portion, as from the 30th day of June, 1951, shall be deemed to be excised accordingly.

SCHEDULE.

Commencing at the south-western angle of allotment 107c, Parish of Terrapee, County of Gladstone; thence northerly by the western boundary of that allotment to the north-western angle thereof; thence north-easterly by the south-eastern boundary of a road to the most westerly angle of allotment 105a; thence easterly by the southern boundary of the last-mentioned allotment and a line in continuation thereof to the western boundary of allotment 112; thence northerly, easterly, and southerly by the western, northern, and eastern boundaries of the last-mentioned allotment to the south-western angle of allotment 7; thence easterly by the southern boundary of allotment 7 to the south-western angle of allotment 8a; thence southerly by a line and generally south-westerly by the western boundaries of allotments 9a and 9 to the south-western angle of allotment 9; thence south-westerly by a line and the north-western boundary of a road forming the south-eastern boundary of allotment 112 to the south-western angle of that allotment; thence south-westerly by a line to the north-eastern angle of allotment 39; thence westerly by the northern boundary of allotment 39 and a line in continuation thereof to the eastern boundary of allotment 54; thence northerly and westerly by the eastern and northern boundaries of allotment 54 to the point of commencement.

The portion set out and described in the foregoing Schedule is shown on a plan approved by the Governor in Council, and deposited in the office of the State Rivers and Water Supply Commission, Melbourne.—(Corres. 51/11336, 51/13006.)

And the Honorable Richard Keats Brose, His Majesty's Minister of Water Supply for the State of Victoria, shall give the necessary directions herein accordingly.

A. MAHLSTEDT,
Clerk of the Executive Council.

Water Acts.

STATE RIVERS AND WATER SUPPLY COMMISSION.

At the Executive Council Chamber, Melbourne, the twenty-sixth day of June, 1951.

PRESENT:

His Excellency the Governor of Victoria.	
Mr. Brose	Mr. Mitchell
Mr. Harvey	Mr. White.

RODNEY IRRIGATION AND WATER SUPPLY DISTRICT.—PORTIONS EXCISED.

UNDER the powers conferred by the Water Acts and all other powers enabling him in that behalf, His Excellency the Governor of the State of Victoria, with the advice of the Executive Council of the said State, on the recommendation of the State Rivers and Water Supply Commission, doth hereby declare, order, and direct as follows:—

That there shall be excised from the Rodney Irrigation and Water Supply District those portions of the same set out and described in the Schedule hereto, which portions, as from the thirtieth day of June, 1951, shall be deemed to be excised accordingly.

SCHEDULE.

Portion 1.—Commencing at the south-eastern angle of lot 34 on lodged plan of subdivision No. 5706, Parish of Toolamba West, County of Rodney; thence westerly by the southern boundary of that lot a distance of 2 chains; thence northerly by a line parallel to Ross-street to the northern boundary of Cussen-street; thence easterly by the last-mentioned boundary and southerly by the western boundary of Ross-street to the point of commencement.

Portion 2.—The whole of allotment 3B, Parish of Toolamba West, County of Rodney, those portions of a channel reserve adjoining the northern and eastern boundaries of that allotment, and that portion of a road adjoining the southern boundary of that allotment and extending easterly to Ross-street.

The lands described in the foregoing Schedule are shown on a plan approved by the Governor in Council, and deposited in the office of the State Rivers and Water Supply Commission, Melbourne.—(Corres. 51/11346.)

And the Honorable Richard Keats Brose, His Majesty's Minister of Water Supply for the State of Victoria, shall give the necessary directions herein accordingly.

A. MAHLSTEDT,
Clerk of the Executive Council.

Water Acts.

STATE RIVERS AND WATER SUPPLY COMMISSION.

At the Executive Council Chamber, Melbourne, the twenty-sixth day of June, 1951.

PRESENT:

His Excellency the Governor of Victoria.	
Mr. Brose	Mr. Mitchell
Mr. Harvey	Mr. White.

WERRIBEE IRRIGATION AND WATER SUPPLY DISTRICT.—PORTION EXCISED.

UNDER the powers conferred by the Water Acts and all other powers enabling him in that behalf, His Excellency the Governor of the State of Victoria, with the advice of the Executive Council of the said State, on the recommendation of the State Rivers and Water Supply Commission, doth hereby declare, order, and direct as follows:—

That there shall be excised from the Werribee Irrigation and Water Supply District that portion of the same set out and described in the Schedule hereto, which portion, as from the thirtieth day of June, 1951, shall be deemed to be excised accordingly.

SCHEDULE.

Commencing at the most easterly angle of Crown allotment 1, section E, Parish of Deutgam, County of Bourke; thence south-westerly by the south-eastern boundary of that allotment and a line in continuation thereof to the

north-eastern boundary of Crown allotment 2; thence north-westerly by the last-mentioned boundary and a line in continuation thereof to the north-eastern boundary of Crown allotment 2A; thence north-westerly by the last-mentioned boundary to the most northerly angle of Crown allotment 2A; thence north-easterly by a line and the north-western boundary of Crown allotment 1 aforesaid to the most northerly angle of that allotment; thence south-easterly by the north-eastern boundary of said Crown allotment 1 to the point of commencement.

The portion described in the foregoing Schedule is shown on a plan approved by the Governor in Council, and deposited in the office of the State Rivers and Water Supply Commission, Melbourne.—(Corres. 51/7611.)

And the Honorable Richard Keats Brose, His Majesty's Minister of Water Supply for the State of Victoria, shall give the necessary directions herein accordingly.

A. MAHLSTEDT,
Clerk of the Executive Council.

Water Acts.

STATE RIVERS AND WATER SUPPLY COMMISSION.

At the Executive Council Chamber, Melbourne, the twenty-sixth day of June, 1951.

PRESENT:

His Excellency the Governor of Victoria.	
Mr. Brose	Mr. Mitchell
Mr. Harvey	Mr. White.

MAFFRA-SALE IRRIGATION AND WATER SUPPLY DISTRICT.—HEYFIELD URBAN DIVISION.—DIVISION EXTENDED.

UNDER the powers conferred by the Water Acts and all other powers enabling him in that behalf, His Excellency the Governor of the State of Victoria, with the advice of the Executive Council of the said State, on the recommendation of the State Rivers and Water Supply Commission, doth hereby declare, order, and direct as follows:—

That the Heyfield Urban Division of the Maffra-Sale Irrigation and Water Supply District be extended by adding to the same the lands set out and described in the Schedule hereto, and as on and from the 1st day of July, 1951, such division shall be deemed to be so extended.

SCHEDULE.

1. Commencing at a point in the northern boundary of allotment 1, section A, Town of Heyfield, Parish of Tinamba, County of Tanjil, distant about 32 chains 42 4/10 links westerly from the north-eastern angle of that allotment; thence north by a line to the northern boundary of Seaton-road; thence easterly by that road boundary to the south-western angle of allotment 11, section B; thence south-easterly by a line to the north-eastern angle of allotment 41 (gravel reserve); thence south-westerly by the northern boundary of the last-mentioned allotment to a point due south of the point of commencement; thence north by a line to the point of commencement.

2. Commencing at the intersection of the eastern boundary of Heyfield Urban Division and the southern boundary of subdivision A of Crown allotment 187, Parish of Tinamba, County of Tanjil; thence easterly by the northern boundary of Tinamba-road to the south-western angle of subdivision A of Crown allotment 181; thence northerly by the western boundary of said subdivision A a distance of 20 chains; thence east by a line to the eastern boundary of that subdivision; thence southerly by the last-mentioned boundary and a line in continuation thereof to the southern boundary of Tinamba-road aforesaid; thence westerly by that road boundary to the eastern boundary of Heyfield Urban Division; thence northerly by a line to the point of commencement.

The lands described in the foregoing Schedule are shown on a plan approved by the Governor in Council, and deposited in the office of the State Rivers and Water Supply Commission, Melbourne.—(Corres. No. 51/11381.)

And the Honorable Richard Keats Brose, His Majesty's Minister of Water Supply for the State of Victoria, shall give the necessary directions herein accordingly.

A. MAHLSTEDT,
Clerk of the Executive Council.

FIRST MILDURA IRRIGATION TRUST.—MILDURA
URBAN WATER TRUST.

At the Executive Council Chamber, Melbourne, the
twenty-sixth day of June, 1951.

PRESENT:

His Excellency the Governor of Victoria.	
Mr. Brose	Mr. Mitchell
Mr. Harvey	Mr. White.

SEVERANCE OF PORTIONS OF THE FIRST MILDURA
IRRIGATION TRUST DISTRICT AND ANNEXATION
THEREOF TO THE MILDURA URBAN WATER
TRUST DISTRICT.

UNDER the powers conferred by the Mildura Irrigation and Water Trusts Acts and all other powers enabling him in that behalf, His Excellency the Governor of the State of Victoria, by and with the advice of the Executive Council of the said State, doth hereby declare, order, and direct as follows:—

That on and from the 1st July, 1951, the lands comprised within the boundaries set out and described in the Schedule hereto, being portions of the District of the First Mildura Irrigation Trust, be severed therefrom, and that such lands be annexed to the District of the Mildura Urban Water Trust.

SCHEDULE.

Portion I.—Commencing at the most easterly angle of lot 6, section 32, block D, on lodged plan of subdivision No. 2144, Parish of Mildura, County of Karkaroc; thence south-westerly along the south-eastern boundaries of the said lot 6 and lot 12 to the most southerly angle of the said lot 12; thence north-westerly along the south-western boundary of the said lot 12 to its most westerly angle; thence north-easterly along the north-western boundaries of the said lot 12 and lot 6 and by a line being a continuation thereof across Seventh-street to a point on the north-eastern boundary of Seventh-street; thence south-easterly along the said north-eastern boundary of Seventh-street to its intersection with the north-western boundary of Ontario-avenue; thence south-westerly by a line across Seventh-street to the point of commencement.

Portion II.—Commencing at the most southerly angle of lot 11, section 32, block D, on lodged plan of subdivision No. 2144, Parish of Mildura, County of Karkaroc; thence north-westerly along the south-western boundary of the said lot 11 to its most westerly angle; thence south-westerly by a line being a continuation of the north-western boundary of the said lot 11 across Eighth-street to a point on the south-western boundary of the said Eighth-street; thence north-westerly along the said south-western boundary of the said Eighth-street a distance of 330 feet; thence north-easterly by a line across the said Eighth-street and along the north-western boundaries of lots 10 and 4, section 32, to a point distant 25 feet north-easterly from the most westerly angle of the said lot 4; thence south-easterly by a line parallel to the south-western boundary of the said lot 4, across the said lot 4 and portion of lot 5 to a point distant 152 ft. 7½ in. south-easterly from the north-western boundary of the said lot 5; thence south-easterly by a line across portion of the said lot 5 and portion of lot 11 to a point on the south-eastern boundary of the said lot 11, 20 feet south-westerly from the most easterly angle of the said lot 11; thence south-westerly along the south-eastern boundary of the said lot 11 to the point of commencement.

Portion III.—Commencing at the most southerly angle of lot 6, section 33, block D, on lodged plan of subdivision No. 2144, Parish of Mildura, County of Karkaroc; thence north-westerly along the south-western boundary of the said lot 6 to its most westerly angle; thence south-westerly along the south-eastern boundary of lot 11 and by a line being a continuation thereof across Ninth-street to a point on the south-western boundary of the said Ninth-street; thence north-westerly along the said south-western boundary of Ninth-street a distance of 330 feet; thence north easterly by a line across the said Ninth-street, along the north-western boundaries of lots 11 and 5, section 33, and by a line being a continuation thereof across Eighth-street to a point on the north-eastern boundary of the said Eighth-street; thence south-easterly along the said north-eastern boundary of the said Eighth-street to its intersection with the north-western boundary of Ontario-avenue; thence south-westerly by a line across Eighth-street and along the south-eastern boundary of lot 6, section 33, to the point of commencement.

Portion IV.—Commencing at a point on the south-eastern boundary of lot 4, section 30, block F, on lodged plan of subdivision No. 2168, Parish of Mildura, County of Karkaroc, such point being distant 145 ft. 8½ in. north-easterly from the most southerly angle of the said lot 4; thence north-westerly, south-westerly, and north-westerly across the said lot 4 by lines bearing north 44 deg. 44 min. west a distance of 880 feet, south 45 deg. 16 min. west a distance of 120 feet, and north 44 deg. 44 min. west a distance of 119 ft. 10½ in. to a point on the north-western boundary of the said lot 4; thence north-easterly along the said north-western boundary of the said lot 4 a distance of 240 feet; thence south-westerly by a line bearing south 44 deg. 44 min. east a distance of 999 ft. 10½ in. to a point on the south-eastern boundary of the said lot 4; thence south-westerly along the said south-eastern boundary of lot 4 to the point of commencement.

Portion V.—Commencing at the most easterly angle of lot 9, section 30, block F, on lodged plan of subdivision No. 14527, Parish of Mildura, County of Karkaroc; thence south-easterly along the north-eastern boundary of lot 8 on lodged plan of subdivision No. 2168 and by a line being a continuation thereof across Etiwanda-avenue to a point on the south-eastern boundary of the said Etiwanda-avenue; thence south-westerly along the said south-eastern boundary of Etiwanda-avenue a distance of 224 ft. 4½ in.; thence north-westerly by a line across Etiwanda-avenue and along the south-western boundary of lot 8 on lodged plan of subdivision No. 2168, to the most southerly angle of lot 9 on lodged plan of subdivision No. 14527; thence north-easterly along the south-eastern boundary of the said lot 9 to the point of commencement.

Portion VI.—Commencing at the most easterly angle of lot 6, section 31, block F, on lodged plan of subdivision No. 2168, Parish of Mildura, County of Karkaroc; thence south-westerly along the south-eastern boundaries of the said lot 6 and lot 7 to the most southerly angle of the said lot 7; thence north-westerly along the south-western boundary of the said lot 7 to its most westerly angle; thence north-easterly along the north-western boundaries of the said lot 7 and lot 6, to the most northerly angle of the said lot 6; thence south-easterly along the north-eastern boundary of the said lot 6 to the point of commencement.

The boundaries described in the foregoing Schedule are shown on plans marked A, B, C, D, E, and F approved by the Governor in Council and deposited in the office of the State Rivers and Water Supply Commission, Melbourne.

And the Honorable Richard Keats Brose, His Majesty's Minister of Water Supply for the State of Victoria, shall give the necessary directions herein accordingly.

A. MAHLSTEDT,
Clerk of the Executive Council.

COUNTRY ROADS BOARD.

At the Executive Council Chamber, Melbourne, the
twenty-sixth day of June, 1951.

PRESENT:

His Excellency the Governor of Victoria.	
Mr. Brose	Mr. Mitchell
Mr. Harvey	Mr. White.

ORDER APPROVING OF A DEVIATION FROM A
STATE HIGHWAY IN THE SHIRE OF BELFAST.

WHEREAS the Country Roads Board constituted under the *Country Roads Act 1928* (No. 3662) has represented to His Excellency the Governor in Council that it appears to it desirable that the deviation hereinafter referred to from the existing Princes Highway in the Shire of Belfast (declared to be a State Highway under the said Act which declaration was confirmed by the Order in Council published in the *Government Gazette* of the 8th July, 1925, on pages 2371-3) should be made by the said Board: And whereas the said Board in accordance with the requirements of section 19 of the said cited Act has caused to be prepared a map plan and estimate showing the points between which and on and through what land the said deviation is proposed to be made and the cost of acquiring the land and constructing the said deviation: And whereas on an inspection of the said map and plan and a consideration of the said estimate His Excellency the Governor in Council is satisfied that there are funds legally available for acquiring the land and constructing the said deviation: Now therefore be it known by this present Order that His Excellency the

Governor of the State of Victoria with the advice of the Executive Council thereof doth hereby approve of the said road being made, that is to say:—

All that piece of land in the Parish of Yambuk the boundaries of which are as follow:—Commencing at the south-eastern angle of allotment 2, section 9, Town of Yambuk, in the said parish; thence by lines bearing respectively 321 deg. 20 min. 320 links, 129 deg. 14 min. 395.3 links, and 270 deg. 0 min. 106.2 links to the point of commencement—which said piece of land is particularly delineated and shown coloured red on survey plan numbered 4197 lodged in the office of the Country Roads Board.

And the Honorable Percy Thomas Byrnes, His Majesty's Commissioner of Public Works for the State of Victoria, shall give the necessary directions herein accordingly.

A MAHLSTEDT,
Clerk of the Executive Council.

COUNTRY ROADS BOARD.

At the Executive Council Chamber, Melbourne, the
twenty-sixth day of June, 1951.

PRESENT:

His Excellency the Governor of Victoria.
Mr. Brose | Mr. Mitchell
Mr. Harvey | Mr. White.

ORDER APPROVING OF A DEVIATION FROM A MAIN ROAD IN THE SHIRE OF FERN TREE GULLY.

WHEREAS the Country Roads Board constituted under the *Country Roads Act 1928* (No. 3662) has represented to His Excellency the Governor in Council that it appears to it desirable that the deviation hereinafter referred to from the existing Belgrave-Emerald road in the Shire of Fern Tree Gully (declared to be a main road under the said Act which declaration was confirmed by the Order in Council published in the *Government Gazette* of the 9th December, 1925, on page 3977) should be made by the said Board: And whereas the said Board in accordance with the requirements of section 19 of the said cited Act has caused to be prepared a map plan and estimate showing the points between which and on and through what land the said deviation is proposed to be made and the cost of acquiring the land and constructing the said deviation: And whereas on an inspection of the said map and plan and a consideration of the said estimate His Excellency the Governor in Council is satisfied that there are funds legally available for acquiring the land and constructing the said deviation: Now therefore be it known by this present Order that His Excellency the Governor of the State of Victoria with the advice of the Executive Council thereof doth hereby approve of the said road being made, that is to say:—

All those pieces of land in the Parish of Narree Worrان, the boundaries of which are as follow:—

- (a) Commencing at the north-western angle of lot 10 on plan of subdivision No. 5790, lodged in the Office of Titles, and being part of allotment 40, section B, of the said parish; thence by lines bearing respectively 109 deg. 5 min. 30 links, 261 deg. 1 min. 40.7 links, and 36 deg. 9 min. 20 links to the point of commencement.
- (b) Commencing at the south-western angle of allotment 39A, section B, of the said parish; thence by lines bearing respectively 188 deg. 32 min. 18.2 links, 238 deg. 13 min. 7 links, 332 deg. 4 min. 17 links, 236 deg. 51 min. 505 links, 243 deg. 47 min. 202.5 links, 271 deg. 2 min. 110 links, 288 deg. 2 min. 289.5 links, 95 deg. 16 min. 415.3 links, 64 deg. 3 min. 272 links, 56 deg. 9 min. 386.2 links, 70 deg. 57 min. 164.6 links, and 241 deg. 53 min. 144.8 links to the point of commencement—

which said pieces of land are particularly delineated and shown coloured red on survey plans Nos. 5328 and 5329, lodged in the office of the Country Roads Board.

And the Honorable Percy Thomas Byrnes, His Majesty's Commissioner of Public Works for the State of Victoria, shall give the necessary directions herein accordingly.

A. MAHLSTEDT,
Clerk of the Executive Council.

COUNTRY ROADS BOARD.

At the Executive Council Chamber, Melbourne, the
twenty-sixth day of June, 1951.

PRESENT:

His Excellency the Governor of Victoria.
Mr. Brose | Mr. Mitchell
Mr. Harvey | Mr. White.

ORDER APPROVING OF A DEVIATION FROM A MAIN ROAD IN THE SHIRE OF COLAC.

WHEREAS the Country Roads Board constituted under the *Country Roads Act 1928* (No. 3662) has represented to His Excellency the Governor in Council that it appears to it desirable that the deviation hereinafter referred to from the existing Colac-Forrest road in the Shire of Colac (declared to be a main road under the said Act which declaration was confirmed by the Order in Council published in the *Government Gazette* of the 5th October, 1932, on page 2256) should be made by the said Board: And whereas the said Board in accordance with the requirements of section 19 of the said cited Act has caused to be prepared a map plan and estimate showing the points between which and on and through what land the said deviation is proposed to be made and the cost of acquiring the land and constructing the said deviation: And whereas on an inspection of the said map and plan and a consideration of the said estimate His Excellency the Governor in Council is satisfied that there are funds legally available for acquiring the land and constructing the said deviation: Now therefore be it known by this present Order that His Excellency the Governor of the State of Victoria with the advice of the Executive Council thereof doth hereby approve of the said road being made, that is to say:—

All those pieces of land in the Parish of Yeo, the boundaries of which are as follow:—

- (a) Commencing at the south-western angle of allotment 107 of the said parish; thence by lines bearing respectively 359 deg. 49 min. 817 links, 163 deg. 17 min. 721 links, 137 deg. 4 min. 690 links, and 299 deg. 16 min. 774 links to the point of commencement.
- (b) Commencing at a point on the northern boundary of allotment 109A of the said parish, distant 119 deg. 27 min. 294.5 links from the north-western angle of the said allotment; thence by lines bearing respectively 119 deg. 27 min. 732 links, 169 deg. 46½ min. 486.2 links, 330 deg. 23 min. 360 links, 318 deg. 27 min. 391 links, and 309 deg. 10 min. 369 links to the point of commencement.
- (c) Commencing at a point in allotment 109A of the said parish, distant 119 deg. 27 min. 1,026.5 links, 169 deg. 46½ min. 486.2 links, and 158 deg. 59½ min. 620.8 links from the north-western angle of the said allotment; thence by lines bearing respectively 140 deg. 22½ min. 651.6 links, 313 deg. 42 min. 170 links, and 322 deg. 43 min. 483 links to the point of commencement—

which said pieces of land are particularly delineated and shown coloured red on survey plan No. 5327, lodged in the office of the Country Roads Board.

And the Honorable Percy Thomas Byrnes, His Majesty's Commissioner of Public Works for the State of Victoria, shall give the necessary directions herein accordingly.

A. MAHLSTEDT,
Clerk of the Executive Council.

COUNTRY ROADS BOARD.

At the Executive Council Chamber, Melbourne, the
twenty-sixth day of June, 1951.

PRESENT:

His Excellency the Governor of Victoria.
Mr. Brose | Mr. Mitchell
Mr. Harvey | Mr. White.

DECLARATION OF A DEVIATION FROM THE KORUMBURRA-DROUIN ROAD IN THE SHIRE OF KORUMBURRA.

WHEREAS by section 58 of the *Country Roads Act 1928* (No. 3662) it is amongst other things enacted that when the Country Roads Board under the provisions of

the Country Roads Act has by Resolution declared a deviation to be a main road the said Board may also declare that such deviation shall be in lieu of any existing road or part thereof named in such Resolution and that on publication in the *Government Gazette* of the Order confirming such Resolution the existing road or part thereof shall cease to be a main road or be discontinued as provided in the Resolution: And whereas the said Board has by Resolution declared the deviation on the land described in the First Schedule to such Resolution to be a main road and has also declared that such deviation shall be in lieu of the part of the existing road being the land described in the Second Schedule to the said Resolution and that such part of the said existing road shall be discontinued.

Resolution for Declaration of a Deviation under the Country Roads Act.

Whereas the land the site of the road the course of which is below set out was taken by the Board under the provisions of the *Country Roads Act 1928* for the purpose of constructing such road deviation which road deviation has now been laid out and formed on the same: And whereas the said Board (being the Country Roads Board incorporated under the said Act) thinks that the road aforesaid is fit to be used as a public highway such Board at a meeting now holden acting under the authority conferred upon it by section 58 of the said Act doth by this present Resolution hereby declare the said road deviation the course of which is described in the First Schedule hereto with the commencing and terminating points thereof respectively specified to be part of a main road within the meaning and for the purposes of the *Country Roads Act 1928*: And the said Board doth also declare that such deviation shall be in lieu of the existing road or part thereof described in the Second Schedule hereto and that such part of the said existing road shall be discontinued.

FIRST SCHEDULE.

Shire of Korumburra.

4. *Korumburra-Drouin Road (9004)*.—All that piece of land in the Parish of Korumburra the boundaries of which are as follow:—Commencing at a point on the northern boundary of allotment 4 of the said parish distant 96 deg. 16 min. 331 links, 136 deg. 5 min. 1,479.3 links, and 108 deg. 20 min. 514.5 links from the north-western angle of that allotment; thence by lines bearing respectively 108 deg. 20 min. 436.5 links, 115 deg. 35 min. 612.7 links, 258 deg. 35 min. 282 links and 303 deg. 32 min. 828.5 links to the point of commencement—which said piece of land is particularly delineated and shown coloured red on survey plan numbered 165 lodged in the office of the Country Roads Board.

SECOND SCHEDULE.

Shire of Korumburra.

4. *Korumburra-Drouin Road*.—All that piece of land in the Parish of Poowong East the boundaries of which are as follow:—Commencing at a point on the southern boundary of allotment 36c of the said parish distant 106 deg. 42 min. 618 links and 118 deg. 40 min. 190 links from the south-western angle of that allotment; thence by lines bearing respectively 118 deg. 40 min. 150 links, 208 deg. 40 min. 75 links, 298 deg. 40 min. 150 links and 28 deg. 40 min. 75 links to the point of commencement—which said piece of land is particularly delineated and shown coloured blue on survey plan numbered 165 lodged in the office of the Country Roads Board.

The common seal of the Country Roads Board was hereto affixed, at Melbourne, this eighteenth day of June, One thousand nine hundred and fifty-one, in the presence of—

(SEAL.) D. V. DARWIN, Chairman.
F. M. CORRIGAN, Member.
W. H. NEVILLE, Secretary.

And the Honorable Percy Thomas Byrnes, His Majesty's Commissioner of Public Works for the State of Victoria, shall give the necessary directions herein accordingly.

A MAHLSTEDT,
Clerk of the Executive Council.

COUNTRY ROADS BOARD.

At the Executive Council Chamber, Melbourne, the twenty-sixth day of June, 1951.

PRESENT:

His Excellency the Governor of Victoria.
Mr. Brose | Mr. Mitchell
Mr. Harvey | Mr. White.

ORDER APPROVING OF A NEW MAIN ROAD IN THE SHIRE OF LOWAN.

WHEREAS the Country Roads Board constituted under the *Country Roads Act 1928* (No. 3662) has represented to His Excellency the Governor in Council that it appears to it desirable that the new Lorquon West road in the Shire of Lowan should be made by the said Board: And whereas the said Board in accordance with the requirements of section 19 of the said cited Act has caused to be prepared a map plan and estimate showing the points between which and on and through what land the said new road is proposed to be made and the cost of acquiring the land and constructing the said new road: And whereas on an inspection of the said map and plan and a consideration of the said estimate His Excellency the Governor in Council is satisfied that there are funds legally available for acquiring the land and constructing the said new road: Now therefore be it known by this present Order that His Excellency the Governor of the State of the Victoria with the advice of the Executive Council thereof doth hereby approve of the said road being made, that is to say:—

All those pieces of land in the Parish of Balrootan the boundaries of which are as follow:—

- Commencing at the south-eastern angle of allotment 57 of the said parish; thence by lines bearing respectively 270 deg. 0 min. 75 links, 9 deg. 19 min. 465.5 links and 180 deg. 3 min. 459.4 links to the point of commencement.
- Commencing at the north-eastern angle of allotment 62 of the said parish; thence by lines bearing respectively 218 deg. 33 min. 345.4 links, 31 deg. 13 min. 316 links and 90 deg. 0 min. 51.5 links to the point of commencement.
- Commencing at a point on the western boundary of allotment 63 of the said parish distant 218 deg. 33 min. 1,692.5 links from the north-western angle of the said allotment; thence by lines bearing respectively 208 deg. 45 min. 439.7 links, 189 deg. 33 min. 446.3 links, 0 deg. 3 min. 467.9 links and 38 deg. 33 min. 457.5 links to the point of commencement—

which said pieces of land are particularly delineated and shown coloured red on survey plans numbered 5337 and 5338 lodged in the office of the Country Roads Board.

And the Honorable Percy Thomas Byrnes, His Majesty's Commissioner of Public Works for the State of Victoria, shall give the necessary directions herein accordingly.

A MAHLSTEDT,
Clerk of the Executive Council.

COUNTRY ROADS BOARD.

At the Executive Council Chamber, Melbourne, the twenty-sixth day of June, 1951.

PRESENT:

His Excellency the Governor of Victoria.
Mr. Brose | Mr. Mitchell
Mr. Harvey | Mr. White.

ORDER APPROVING OF A DEVIATION FROM A STATE HIGHWAY IN THE SHIRE OF BROADMEADOWS.

WHEREAS the Country Roads Board constituted under the *Country Roads Act 1928* (No. 3662) has represented to His Excellency the Governor in Council that it appears to it desirable that the deviation hereinafter referred to from the existing Hume Highway in the Shire of Broadmeadows (declared to be a State Highway under the said Act which declaration was confirmed by the Order in Council published in the *Government Gazette* of the 8th July, 1925, on page 2371) should be made by the said Board: And whereas the said Board in accordance with the requirements of section 19 of the said cited Act has

caused to be prepared a map plan and estimate showing the points between which and on and through what land the said deviation is proposed to be made and the cost of acquiring the land and constructing the said deviation: And whereas on an inspection of the said map and plan and a consideration of the said estimate His Excellency the Governor in Council is satisfied that there are funds legally available for acquiring the land and constructing the said deviation: Now therefore be it known by this present Order that His Excellency the Governor of the State of Victoria with the advice of the Executive Council thereof doth hereby approve of the said road being made, that is to say:—

All those pieces of land in the Parish of Yuroke the boundaries of which are as follow:—

- (a) Commencing at a point in Crown section 16 of the said parish distant 190 deg. 18 min. 172.2 links from the north-western angle of the land comprised in certificate of title entered in the register book, volume 5216, folio 1043053; thence by lines bearing respectively 145 deg. 9½ min. 684.4 links, 164 deg. 41½ min. 805 links, 166 deg. 48 min. 5,661.8 links, 158 deg. 57 min. 679.7 links, 164 deg. 3 min. 70.4 links, 269 deg. 15 min. 90 links, 338 deg. 56 min. 1,521.8 links, 346 deg. 48 min. 4,878.5 links, 336 deg. 10 min. 811.8 links, 325 deg. 9½ min. 274 links, and 10 deg. 18 min. 423.2 links to the point of commencement.
- (b) Commencing at a point in Crown section 16 of the said parish distant 89 deg. 18 min. 138.8 links from the north-western angle of the land comprised in certificate of title entered in the register book, volume 4461, folio 892117; thence by lines bearing respectively 89 deg. 18 min. 286.9 links, 190 deg. 15 min. 335.2 links and 325 deg. 9½ min. 397.6 links to the point of commencement.
- (c) Commencing at a point in Crown portion 24 of the said parish distant 269 deg. 2 min. 15.9 links from the south-eastern angle of the land comprised in certificate of title entered in the register book, volume 5455, folio 1090869; thence by lines bearing respectively 269 deg. 2 min. 361.3 links, 346 deg. 1 min. 842.6 links and 145 deg. 9½ min. 988.7 links to the point of commencement—

which said pieces of land are particularly delineated and shown coloured red on survey plan numbered 5345 lodged in the office of the Country Roads Board.

And the Honorable Percy Thomas Byrnes, His Majesty's Commissioner of Public Works for the State of Victoria, shall give the necessary directions herein accordingly.

A. MAHLSTEDT,
Clerk of the Executive Council.

COUNTRY ROADS BOARD.

At the Executive Council Chamber, Melbourne, the twenty-sixth day of June, 1951.

PRESENT:

His Excellency the Governor of Victoria.
Mr. Brose | Mr. Mitchell
Mr. Harvey | Mr. White.

ORDER APPROVING OF A DEVIATION FROM A MAIN ROAD IN THE SHIRE OF CRANBOURNE.

WHEREAS the Country Roads Board constituted under the *Country Roads Act 1928* (No. 3662) has represented to His Excellency the Governor in Council that it appears to be desirable that the deviation hereinafter referred to from the existing Koo-wee-rup-Longwarry road in the Shire of Cranbourne (declared to be a main road under the said Act which declaration was confirmed by the Order in Council published in the *Government Gazette* of the 18th January, 1939, on page 102) should be made by the said Board: And whereas the said Board in accordance with the requirements of section 19 of the said cited Act has caused to be prepared a map plan and estimate showing the points between which and on and through what land the said deviation is proposed to be made and the cost of acquiring the land and constructing the said deviation: And whereas on an inspection of the said map and plan and a consideration of the said estimate His Excellency the Governor in Council is satisfied that there are funds legally available for acquiring the land and constructing the said deviation: Now therefore be it known by this present Order that His Excellency the

Governor of the State of Victoria with the advice of the Executive Council thereof doth hereby approve of the said road being made, that is to say:—

All those pieces of land in the Parish of Yallock, the boundaries of which are as follow:—

- (a) Commencing at the north-western angle of allotment 10a of the said parish; thence by a line bearing 81 deg. 39½ min. 1,465 links; thence south-westerly by the arc of a circle of radius of 4,003.2 links a distance of 1,410.2 links, the chord of which arc bears 251 deg. 34 min.; thence by a line bearing 332 deg. 50 min. 259.7 links to the point of commencement.
- (b) Commencing at the most northerly angle of allotment 10b of the said parish; thence by lines bearing respectively 123 deg. 6 min. 580 links, 123 deg. 14 min. 112.1 links, 261 deg. 7 min. 1,456.2 links, and 54 deg. 56 min. 1,049.5 links to the point of commencement.
- (c) Commencing at the north-eastern angle of allotment 10c of the said parish; thence by a line bearing 180 deg. 7 min. 393.3 links; thence south-westerly by the arc of a circle of radius of 2,075 links a distance of 496.6 links, the chord of which arc bears 257 deg. 23 min.; thence by lines bearing 248 deg. 43 min. 203.7 links and 247 deg. 39 min. 8,247.9 links; thence south-westerly by the arc of a circle of radius of 4,925 links a distance of 1,156.1 links, the chord of which arc bears 254 deg. 22½ min.; thence by lines bearing respectively 261 deg. 6 min. 315 links, 303 deg. 6 min. 224.2 links, 81 deg. 6 min. 481.6 links, 74 deg. 22½ min. 1,118.3 links, 67 deg. 39 min. 8,051 links, 54 deg. 4 min. 881 links, and 91 deg. 33 min. 200 links to the point of commencement—

which said pieces of land are particularly delineated and shown coloured red and yellow on survey plan No. 5333, lodged in the office of the Country Roads Board.

And the Honorable Percy Thomas Byrnes, His Majesty's Commissioner of Public Works for the State of Victoria, shall give the necessary directions herein accordingly.

A. MAHLSTEDT,
Clerk of the Executive Council.

MOTOR OMNIBUS ACT 1928 (No. 3742).

At the Executive Council Chamber, Melbourne, the third day of July, 1951.

PRESENT:

The Lieutenant-Governor, as Deputy for His Excellency the Governor of Victoria.

Sir Albert Lind | Mr. Brose.
Mr. Harvey |

AMENDMENT OF PRESCRIPTION OF METROPOLITAN MOTOR OMNIBUS ROUTE No. 47A (EAST OAKLEIGH-CARNEGIE).

THE Lieutenant-Governor, as Deputy for His Excellency the Governor of the State of Victoria, by and with the advice of the Executive Council thereof, and in pursuance of the powers conferred by the *Motor Omnibus Act 1928* (No. 3742), doth by this Order amend as from and inclusive of the sixteenth day of July, 1951, and as set out hereunder, the prescription of a certain route, 47A, within the metropolitan area, along which motor omnibuses for which "regular service" licences are granted may ply for hire, viz.:—

Under the heading "Description of Route, including Commencing and Terminal Points", immediately after "via Dandenong" delete "and" and insert in place thereof, "road, Norfolk-avenue"; also, amend "Atherton roads" to read "Atherton-road".

Licensing Authority.—Pursuant to the provisions of section 15 (1) (c) of the said Act (No. 3742), the Governor in Council by this Order confers upon the Licensing Authority full power and authority for the carrying into effect by the said Licensing Authority of the foregoing provisions of this Order.

And the Honorable Percy Thomas Byrnes, His Majesty's Commissioner of Public Works for the State of Victoria, shall give the necessary directions herein accordingly.

A. MAHLSTEDT,
Clerk of the Executive Council.

MARINE STORES AND OLD METALS ACT 1928.—
SECTION 4.

At the Executive Council Chamber, Melbourne, the
third day of July, 1951.

PRESENT:

The Lieutenant-Governor, as Deputy for His Excellency
the Governor of Victoria.

Sir Albert Lind | Mr. Brose.
Mr. Harvey |

EXTENSION OF THE PROVISIONS OF PART II. TO
THE SHIRE OF DANDENONG.

WHEREAS a petition has been received from the Council
of the Shire of Dandenong praying for the extension
of the provisions of Part II. of the *Marine Stores and Old
Metals Act 1928* to the said shire: Now therefore, the
Lieutenant-Governor, as Deputy for His Excellency the
Governor of the State of Victoria, by and with the advice
of the Executive Council thereof and pursuant to the
provisions of section 4 of the *Marine Stores and Old Metals
Act 1928*, doth by this Order direct that the provisions of
Part II. of the said Act shall be extended to and shall be
in force from the first day of August, 1951, within and
throughout the boundaries of the said Shire of Dandenong.

And the Honorable Keith Dodgshun, His Majesty's Chief
Secretary for the State of Victoria, shall give the necessary
directions herein accordingly.

A. MAHLSTEDT,
Clerk of the Executive Council.

APPROACHING LAND SALES.

SALES of Crown lands, in fee-simple, will be held at the
under-mentioned places and dates, viz.:

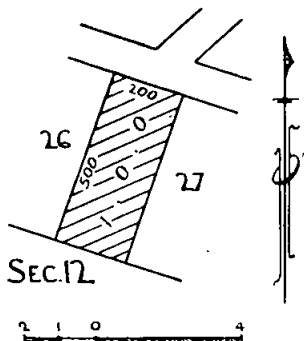
	No. of Gazette.
Beechworth.—Friday, 13th July, 1951	618
Bendigo.—Thursday, 26th July, 1951	664
Bright.—Tuesday, 24th July, 1951	653
Daylesford.—Wednesday, 11th July, 1951	618
Omeo.—Friday, 20th July, 1951	653
Rutherglen.—Wednesday, 18th July, 1951	653
Shepparton.—Tuesday, 17th July, 1951	618
Wodonga.—Thursday, 12th July, 1951	618

COMMON ABOUT TO BE DIMINISHED.

IN pursuance of the provisions contained in the *Land Act*
1928, notice is hereby given that it is the intention
of the Governor in Council to diminish the common herein-
after mentioned, viz.:

The following Notice was published 1° on the 27th June,
1951, pursuant to Order of the 19th June, 1951.

The Maldon Shire Common, proclaimed as such by Pro-
clamation bearing date the 2nd April, 1889, and altered by
Order in Council of the 23rd April, 1912, is about to be
diminished by the excision therefrom of the portion con-
taining 1 acre indicated by hachure on plan hereunder.

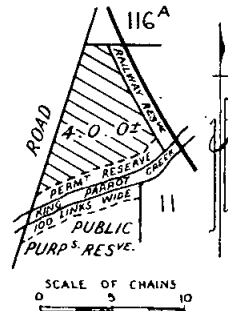


A. E. LIND,
Commissioner of Crown Lands and Survey.

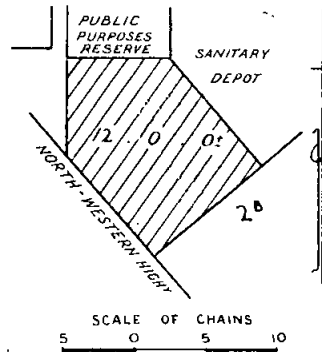
PROPOSED REVOCATION OF ORDERS IN COUNCIL
WITHHOLDING CERTAIN LANDS FROM SALE,
LEASING, AND LICENSING.

IN pursuance of the provisions of the *Land Act 1928*,
notice is hereby given that it is the intention of the
Governor in Council to revoke the withholding from sale,
leasing, and licensing of the lands hereunder described:—
The following Notices were published 1° on the 13th June,
1951, pursuant to Orders of the 5th June, 1951.

WINDHAM.—The temporary reservation as a site for
Public purposes and the withholding from sale, leasing,
and licensing, by Order in Council of the 22nd October,
1883, of the unappropriated Crown land on the banks of
the King Parrot and Carver's Creeks in the Parishes of
Flowerdale and Windham, revoked as to part by Order of
the 12th July, 1909, is about to be revoked so far only
as the portion in the Parish of Windham, containing 4
acres, more or less, indicated by hachure on plan here-
under, is concerned.—(W.149^(a)) (C.88886).



DONALD.—The temporary reservation as a site for Public
purposes and the withholding from sale, leasing, and
licensing, by Order in Council of the 10th April, 1876, of
61 acres 0 roods 22 perches of land in the Parish of Donald,
revoked as to part by various Orders, is about to be
revoked so far only as the portion containing 12 acres,
more or less, indicated by hachure on plan hereunder, is
concerned.—(D.168^(a)) (Rs.4034).



A. E. LIND,
Commissioner of Crown Lands and Survey.

PROPOSED REVOCATIONS OF TEMPORARY
RESERVATIONS OF LANDS BY ORDERS IN COUNCIL.

IN pursuance of the provisions of the *Land Act 1928*,
notice is hereby given that it is the intention of the
Governor in Council to revoke the temporary reservations
of lands by Orders in Council hereunder referred to, viz.:

The following Notices were published 1° on the 27th June,
1951, pursuant to Orders of the 19th June, 1951.

CARRARAGARMUNGEE.—The temporary reservation, by
Order in Council of the 18th November, 1890 (see *Government
Gazette* of the 21st November, 1890, page 4500), of 35
acres of land in the Parish of Carraragarmungee, as a site
for Watering purposes, is about to be revoked.—(C.188^(a))
(Rs.5665).

GLENGOWER (Tp.).—The temporary reservation, by Order
in Council of the 26th March, 1866, of 141 acres 3 roods of
land, being parts of portions 30, 33, 34, and 35, Parish of
Glengower, County of Talbot, as a site for Township pur-
poses (see *Government Gazette* 1866, page 1054), is about
to be revoked.—(G.82^(b)) (C.93128).

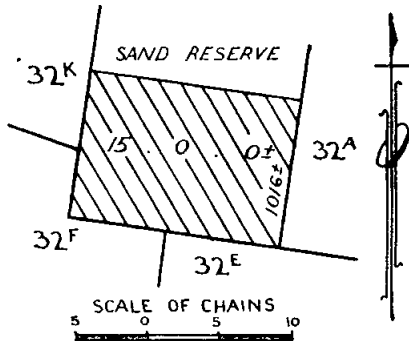
MURRAYVILLE.—The temporary reservation, by Order in
Council of the 23rd April, 1918, of 38 1/10 perches of land

in the Township of Murrayville, as a site for a Shire Hall, is about to be revoked.—(M.575^(a)) (Rs.1760).

NEWSTEAD.—The temporary reservation, by Order in Council of the 9th February, 1892, of 2 roods of land in the Town of Newstead, as a site for Police purposes, is about to be revoked.—(N.39⁽¹⁾) (C.93086).

PURA PURA.—The temporary reservation, by Order in Council of the 4th February, 1936, of 3 acres 0 roods 17 perches of land in the Township of Pura Pura, as a site for a State School, is about to be revoked.—(P.180⁽¹⁾) (Rs.4523).

FRANKSTON.—The temporary reservation, by Order in Council of the 22nd April, 1913, of 25 acres of land in the Parish of Frankston, being allotments 32c and 32h, as a site for Supply of Sand, is about to be revoked so far only as the portion containing 15 acres, more or less, indicated by hachure on plan hereunder, is concerned.—(F.87⁽⁴⁾) (Rs.1526).

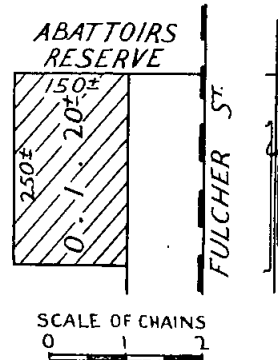


PROPOSED REVOCATION OF ORDERS IN COUNCIL WITHHOLDING CERTAIN LANDS FROM SALE, LEASING, AND LICENSING.

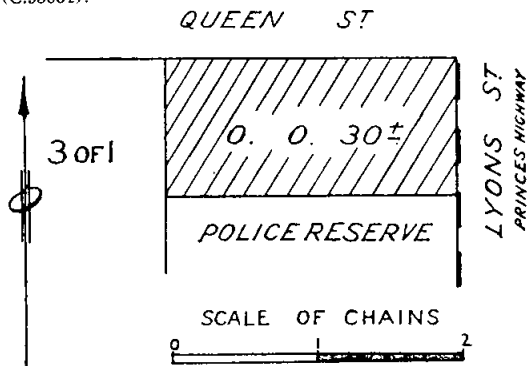
IN pursuance of the provisions of the *Land Act 1928*, notice is hereby given that it is the intention of the Governor in Council to revoke the withholding from sale, leasing, and licensing, by Orders in Council, of the lands described hereunder:—

The following Notices were published 1° on the 4th July, 1951, pursuant to Orders of the 26th June, 1951.

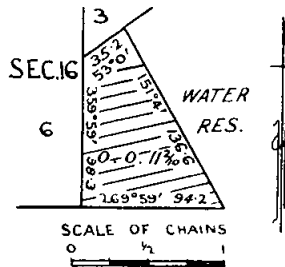
WOMBAT (TIPPERARY SPRINGS).—The temporary reservation as a site for Abattoirs and the withholding from sale, leasing, and licensing, by Order in Council of the 12th November, 1877, of 5 acres of land in the Parish of Wombat, is about to be revoked so far only as the portion containing 1 rood 20 perches, more or less, indicated by hachure on plan hereunder is concerned.—(D.13⁽²⁾) (Rs.4046).



ROSEDALE.—The temporary reservation, by Order in Council of the 1st December, 1862, of 2 roods of land in the Town of Rosedale, being allotment 2 of section 1, as a site for Police purposes, is about to be revoked so far only as the portion containing 30 perches, more or less, indicated by hachure on plan hereunder, is concerned.—(R.35⁽¹⁾) (C.93061).



NHILL.—The temporary reservation as a site for affording access to Water and the withholding from sale, leasing, and licensing, by Order in Council of the 13th October, 1879, of 76 acres 0 roods 38 perches of land in the Parish of Balrootan (now in the Township of Nhill), being part of allotment 1, revoked as to part by various Orders, is about to be revoked so far only as the portion containing 11 2/10 perches indicated by hachure on plan hereunder is concerned.—(N.102⁽²⁾) (Rs.379).



A. E. LIND,
Commissioner of Crown Lands and Survey.

A. E. LIND,
Commissioner of Crown Lands and Survey.

PROPOSED REVOCATIONS OF TEMPORARY RESERVATIONS OF LANDS BY ORDERS IN COUNCIL.

IN pursuance of the provisions of the *Land Act 1928*, notice is hereby given that it is the intention of the Governor in Council to revoke the temporary reservations of lands by the Orders in Council hereunder referred to, viz:—

The following Notices were published 1° on the 13th June, 1951, pursuant to Orders of the 5th June, 1951.

MURRAYVILLE.—The temporary reservation, by Order in Council of the 3rd December, 1946, of 3 roods 34 perches of land in the Township of Murrayville, as a site for Swimming Pool and Children's Playground, is about to be revoked.—(M.575^(a)) (Rs.5882).

PRAHRAN (at Elwood).—The temporary reservation, by Order in Council of the 13th December, 1927, of 2 acres 2 roods 16 7/10 perches of land in the City of St. Kilda, at Elwood, as a site for a State School, is about to be revoked.—(S.226⁽¹⁾) (Rs.1633).

A. E. LIND,
Commissioner of Crown Lands and Survey.

PROPOSED REVOCATIONS OF TEMPORARY RESERVATIONS OF LANDS BY ORDERS IN COUNCIL.

IN pursuance of the provisions of the *Land Act 1928*, notice is hereby given that it is the intention of the Governor in Council to revoke the temporary reservations of lands by Orders in Council hereunder referred to, viz:—

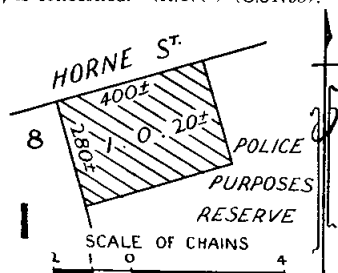
The following Notices were published 1° on the 4th July, 1951, pursuant to Orders of the 26th June, 1951.

MARMAL.—The temporary reservation, by Order in Council of the 14th June, 1938, of 1 acre 1 rood 24 perches of land in the Parish of Marmal, as a site for a State School, is about to be revoked.—(M.493⁽²⁾) (Rs.4828).

MOGLONEMBY.—The temporary reservation, as a site for Public purposes (State School) and the withholding from sale, leasing, and licensing, by Order in Council of the 7th June, 1880 (see *Government Gazette* of the 11th June, 1880, page 1509), of 5 acres of land, being part of allotment 38 in the Parish of Mogloneby, is about to be revoked.—(M.418⁽¹⁾) (C.93024).

MOYHU.—The temporary reservation, by Order in Council of the 18th March, 1941, of 5 acres of land in the Parish of Moyhu, as a site for a Sanitary Depot, is about to be revoked.—(M.218⁽⁷⁾) (Rs.5173).

RUSHWORTH.—The temporary reservation, by Order in Council of the 11th March, 1872, of 4 acres 2 roods of land in the Town of Rushworth, as a site for Police purposes, revoked as to part by various Orders, is about to be revoked so far only as the portion containing 1 acre 0 roods 20 perches, more or less, indicated by hachure on plan hereunder, is concerned.—(R.47⁽⁶⁾) (C.84793).



A. E. LIND,
Commissioner of Crown Lands and Survey.

REGULATIONS FOR THE CARE, PROTECTION, AND MANAGEMENT OF THE WODONGA TRAVELLING STOCK RESERVE.

WHEREAS by section 181 of the *Land Act 1928*, as re-enacted by section 9 of the *Land Act 1941*, power is given to the Board of Land and Works to make Regulations in respect of the care, protection, and management of any Crown land which has been reserved under the Land Acts for any public purpose whatsoever and which has not been conveyed to or vested in trustees, and for the further purposes as enacted: Now therefore the Board of Land and Works, in pursuance of the power conferred as aforesaid, doth hereby make the following Regulations in respect of the land in the Town of Wodonga temporarily reserved, by Order in Council dated the 4th August, 1873, as a site for camping purposes, and the remaining portion of the land in the Town of Wodonga temporarily reserved, by Order in Council dated the 26th January, 1874, as a site for camping purposes, both of which are known as the "Wodonga Travelling Stock Reserve."

REGULATIONS.

1. The Reserve shall be used for travelling stock only.
2. No person who uses the Reserve for camping of the travelling stock owned by him or in his care shall allow same to occupy the Reserve for more than one period in any three (3) consecutive days, and such period shall not exceed twenty-four (24) hours.
3. Every person who places any stock on the Reserve shall keep them under proper and effective control whilst thereon.
4. No person shall enter or remain on the Reserve who offends against decency as regards dress, language, or conduct.
5. No person shall leave or deposit any glass, paper, or rubbish in the Reserve nor roll or throw stones or any missiles of any kind therein.
6. No fires shall be lighted except in the fireplaces provided for the purpose by the Committee of Management.
7. No person shall bring into the Reserve nor erect therein any structure.
8. No person shall remove, displace, deface, or destroy any board, plate, fitting, or notice for the exhibition of any Regulations.
9. No person shall erect any bathing box, boathouse, shed, or any other building, structure, or erection or booth on any site on the Reserve without the permission, in writing, of the Committee of Management first obtained, and no person shall use or cause to be used or knowingly permit to be used any such bathing box, boathouse, shed, or any other building, structure, or erection or booth for residential purposes.
10. The Committee of Management shall have full power to order the removal from the Reserve of any bathing box, boathouse, shed, or any other building, structure, or erection or booth which has been placed, erected, or established without its consent, or which has not been properly erected or properly painted, or which in its opinion has not been satisfactorily maintained or kept in repair, or in respect of which the term of permission for the use of the site has expired, or the permission to use the site for a building or buildings has expired or been withdrawn.
11. No person shall neglect or refuse to remove any bathing box, boathouse, shed, or other building, structure, or erection or booth erected or placed by him on any site in or on the Reserve within fourteen (14) days after the Committee of Management has sent by registered post to his last-known address, a notice requiring such person to remove such bathing box, boathouse, shed, or any other

building, structure, or erection or booth. Such notice may be signed by either the chairman or secretary for the time being of the said Committee of Management.

12. In the event of any such neglect or refusal, as above mentioned, continuing after the expiration of the said fourteen (14) days, the Committee of Management may remove such bathing box, boathouse, shed, or any other building, structure, or erection or booth and recover the cost and/or expense of such removal from the person so neglecting or refusing to remove the same, but without prejudice to proceedings by way of information for breach of these Regulations being taken against such person so neglecting or refusing.

The Council of the Shire of Wodonga has been appointed a Committee of Management with power and authority to enforce the foregoing Regulations.

Every person who contravenes or fails to comply with these Regulations shall, in accordance with the provisions of section 181 of the *Land Act 1928*, as re-enacted by section 9 of the *Land Act 1941*, for each offence be liable to a penalty of not more than Five pounds, and every person who contravenes or fails to comply with any such Regulation and who, after he has been warned by any bailiff of Crown lands or by any member of the Police Force, does not desist therefrom, may be forthwith apprehended by such bailiff or member of the Police Force and taken before some justice to be dealt with according to law, and shall be liable to a penalty of not more than Ten pounds.—(Rs.2122, Rs.3051.)

The common seal of the Board of Land and Works was hereunto affixed this 27th day of June, 1951, in the presence of—

(SEAL) A. E. LIND, President.
W. M. CRAWFORD, Member.

ADDITIONAL REGULATIONS FOR THE CARE, PROTECTION, AND MANAGEMENT OF KARDINIA PARK, GEELONG.

WHEREAS by section 181 of the *Land Act 1928*, as re-enacted by section 9 of the *Land Act 1941*, power is given to the Board of Land and Works to make Regulations in respect of the care, protection, and management of any Crown land which has been reserved under the Land Acts for any public purpose whatsoever, and which has not been conveyed to or vested in trustees and for the further purposes as enacted: Now therefore the Board of Land and Works, in pursuance of the powers conferred as aforesaid, doth hereby make the following Regulations as additional to those already made by the said Board in respect of the land in the City of Geelong permanently reserved as a site for a public park, pursuant to the provisions of the *Geelong (Kardinia Park) Land Act 1950* and the Land Acts, and known as "Kardinia Park," hereinafter referred to as the "Reserve":—

ADDITIONAL REGULATIONS.

1. The Committee of Management may set apart a portion or portions of the Reserve as and for the purposes of a children's playground.
 2. No person over the age of twelve years shall use any swing, cradle-swing, slide, roundabout, see-saw, ocean wave, or other structure or appliance of the like kind usually designed or set apart for the use and amusement of children which may be in the children's playground or elsewhere in any part of the Reserve (hereinafter referred to as an "appliance").
 3. Any person using any appliance who, in the opinion of any officer being a bailiff of Crown lands or member of the Police Force or officer or servant of the Committee of Management there present, is over the age of twelve years, shall forthwith, on being so requested by such officer, immediately desist from the use of such appliance, and if further requested so to do shall leave that portion of the Reserve where any such appliance may be.
- Every person who contravenes or fails to comply with these Regulations shall, in accordance with the provisions of section 181 of the *Land Act 1928*, as re-enacted by section 9 of the *Land Act 1941*, for each offence be liable to a penalty of not more than Five pounds, and every person who contravenes or fails to comply with any such Regulation and who, after he has been warned by any bailiff of Crown lands or by any member of the Police Force, does not desist therefrom may be forthwith apprehended by such bailiff or member of the Police Force and taken before some justice to be dealt with according to law, and shall be liable to a penalty of not more than Ten pounds.—(Corres. Rs.511.)

The common seal of the Board of Land and Works was hereunto affixed this 27th day of June, 1951, in the presence of—

(SEAL) A. E. LIND, President.
W. M. CRAWFORD, Member.

REGULATION FOR THE CARE, PROTECTION, AND MANAGEMENT OF THE "BOTANIC GARDENS" IN THE CITY OF MELBOURNE.

WHEREAS by section 181 of the *Land Act* 1928, as re-enacted by section 9 of the *Land Act* 1941, power is given to the Board of Land and Works to, *inter alia*, make Regulations for the care, protection, and management of lands reserved, pursuant to the provisions of the *Land Acts*, and not conveyed to and vested in trustees, and for the preservation of good order and decency therein: Now therefore the Board, in pursuance of the powers conferred as aforesaid, doth hereby rescind Regulation No. 1 of the Regulations made by it on the 20th September, 1945, for the care, protection, and management for so much of the lands reserved for Public Park and Gardens in the City of Melbourne as is known as the "Botanic Gardens" (hereinafter referred to as the "Gardens"), and in lieu thereof doth hereby make the following Regulation:—

REGULATION.

The gates of the Gardens shall, unless the Minister of Lands otherwise directs, be opened daily at 7 a.m. during the months of October, November, December, January, February, and March, and at 7.30 a.m. during the months of April, May, June, July, August, and September, and shall be closed at sunset: Provided, however, that on all Sundays during the months of May, June, July, and August the gates shall be opened at 9 a.m., and on all Sundays during the months of September, October, November, December, January, February, March, and April the gates shall be opened at 8.30 a.m.

A bell shall be rung five (5) minutes before the locking of the gates, and any person found in the Gardens during hours when the Gardens are required by this Regulation to be closed shall be liable to prosecution.

Every person who contravenes or fails to comply with this Regulation shall, in accordance with the provisions of section 181 of the *Land Act* 1928, as re-enacted by section 9 of the *Land Act* 1941, for each offence be liable to a penalty of not more than Five pounds (£5), and every person who contravenes or fails to comply with such Regulation and who, after he has been warned by any bailiff of Crown lands or by any member of the Police Force, does not desist therefrom may be forthwith apprehended by such bailiff or member of the Police Force and taken before some justice to be dealt with according to law, and shall be liable to a penalty of not more than Ten pounds (£10).—(Corres. Rs.1041.)

The common seal of the Board of Land and Works was hereunto affixed this 27th day of June, 1951, in the presence of—

(SEAL) A. E. LIND, President.
W. M. CRAWFORD, Member.

REGULATIONS FOR THE CARE, PROTECTION, AND MANAGEMENT OF THE "CANNIBAL CREEK CAMPING AND WATER RESERVE," GARFIELD.

WHEREAS by section 181 of the *Land Act* 1928, as re-enacted by section 9 of the *Land Act* 1941, power is given to the Board of Land and Works to make Regulations in respect of the care, protection, and management of any Crown land which has been reserved under the *Land Acts* for any public purpose whatsoever and which has not been conveyed to or vested in trustees and for the further purposes as enacted: Now, therefore, the Board of Land and Works, in pursuance of the powers conferred as aforesaid, doth hereby make the following Regulations in respect of the remaining portion of the land in the Parish of Bunyip temporarily reserved as a site for Camping and for affording Access to Water by Order in Council dated the 22nd October, 1883, and known as the "Cannibal Creek Camping and Water Reserve," hereinafter referred to as the "Reserve."

REGULATIONS.

1. No person shall enter or remain in the Reserve who may offend against decency as regards dress, language, or conduct.

2. No fires shall be lit in the Reserve except in accordance with conditions laid down by the Country Fire Authority.

3. No person shall remove any of the trees, shrubs, flowers, or ferns in the Reserve unless authorized by the Committee of Management.

4. No person shall put in the Reserve any cattle, horses, sheep, goats, pigs, or other animals without the permission, in writing, of the Committee of Management first obtained.

5. No person shall in any way damage or destroy any buildings, gates, fences, seats, trees, shrubs, flowers or ferns, fireplaces, conveniences or other erections in the Reserve, nor remove therefrom sand, soil, gravel, or timber, nor leave deposited any glass, paper, or rubbish therein.

No. 668.—6296/51.—3

6. Permission of the Committee of Management must be obtained beforehand for the holding of any organized sports, picnics, or functions of any kind in the Reserve.

7. No person shall in or on the Reserve erect any booth or other structure for the purpose of offering for sale any article without the permission, in writing, of the Committee of Management first obtained.

8. No person shall camp on any portion of the Reserve except in such part or parts as may be specially set apart for that purpose by the Committee of Management, and then only after obtaining permission of the Committee, in writing, and subject to the payment of such fees and upon such other conditions as the Committee of Management may determine. Such written permission shall, if required, be produced at any time to any person duly authorized by the Committee of Management to demand production thereof.

9. No person shall obstruct, disturb, interrupt, or annoy any officer or employee of the Committee of Management in the proper execution of his work and duty.

10. The Committee of Management reserves the right to control the parking of motor cars, motor cycles, or any other vehicles within the Reserve, and also has the right to impose a fee for such parking, but the maximum fee payable for the use of the parking area shall not exceed one shilling per day.

11. No person shall discharge firearms within the Reserve without permission, in writing, of the Committee of Management first had and obtained.

12. The Committee of Management shall have full power and authority to impound any cattle found trespassing on the Reserve, and shall be taken to be the occupier of the Reserve (with all power incidental to that status) within the meaning of any law for the time being in force relating to the impounding of cattle. For the purpose of this clause "Cattle" shall mean cattle as interpreted by section 3 of the *Pounds Act* 1928.

Every person who contravenes or fails to comply with these Regulations shall, in accordance with the provisions of section 181 of the *Land Act* 1928, as re-enacted by section 9 of the *Land Act* 1941, for each offence be liable to a penalty of not more than Five pounds, and every person who contravenes or fails to comply with any such Regulation and who, after he has been warned by any bailiff of Crown lands, or by any member of the Police Force, does not desist therefrom may be forthwith apprehended by such bailiff or member of the Police Force and taken before some justice to be dealt with according to law, and shall be liable to a penalty of not more than Ten pounds.—(Rs.6666).

The common seal of the Board of Land and Works was hereunto affixed this 27th day of June, 1951, in the presence of—

(SEAL) A. E. LIND, President.
W. M. CRAWFORD, Member.

The Reserve has been placed under the control of a Committee of Management with power and authority to enforce the foregoing Regulations.

HEARING OF REASONS AGAINST THE FORFEITURE OF CERTAIN LICENCES AND LEASES BY A PERSON APPOINTED UNDER 34TH SECTION OF THE LAND ACT 1928.

NOTICE is hereby given that reasons against the forfeiture of the licences and leases in the Schedule hereto, which are deemed liable to forfeiture under the provisions of the *Land Acts*, will be publicly heard by the person appointed by me, the responsible Minister of the Crown administering the said Acts, to hear the same and report thereon, in writing, to me, when the persons in the said Schedule mentioned as holders of such licences and leases will be allowed to show cause against the same at the place and on the date mentioned in the Schedule hereto.

A. E. LIND,
Commissioner of Crown Lands and Survey,
Department of Crown Lands and Survey,
Melbourne, 4th July, 1951.

SCHEDULE.

LAND INSPECTOR'S OFFICE, OMEO, Friday, 20th July, 1951, at 1.15 p.m., R. A. Walker, Land Officer—

90/44, Frederick Burt Harding, 484a. 2r. 30p., Moonip.
128/44.81, Alfred Ernest Baker, 82a. 0r. 34p., Jirnkee.
129/44.81, (permit), Jack Allan Quirke, 37a. 0r. 19p., Jirnkee.

PUBLIC HEARING BY A PERSON APPOINTED UNDER THE 34TH SECTION OF THE LAND ACT 1928.

NOTICE is hereby given that at the time and place mentioned in the Schedule hereunder, applications for leases and licences under the Land Acts, objections to such applications, objections to proposed proclamations, alterations, additions, diminutions, revocations, or unions of commons, and reasons against forfeiture of any leases or licences under the Land Acts deemed liable to forfeiture, will be publicly heard by the person whose name is set opposite such place in such Schedule, being a person appointed by me, the responsible Minister of the Crown administering the Land Acts, to hear the same and report thereon in writing to me.

A. E. LIND,
Commissioner of Crown Lands and Survey, and
President of the Board of Land and Works.

Department of Crown Lands and Survey,
Melbourne, 4th July, 1951.

SCHEDULE.

LAND INSPECTOR'S OFFICE, OMEO, Friday, 20th July, 1951, at 1.15 p.m.—R. A. Walker, Land Officer.

Land Act 1928, Sections 131 and 172, Land (Residence Areas) Act 1935, Sections 12 and 13, Land (Grants and Leases) Act 1949, Section 12, Closer Settlement Act 1948, Section 2, Local Government Act 1946, Section 527.

THE Board of Land and Works doth hereby appoint the under-mentioned officer of the Department of Crown Lands and Survey as an appraiser to determine the price at which any portion of Crown lands and Closer Settlement lands, in the State of Victoria, may be sold under the various sections of the Acts, as set out above—

DANIEL ALOYSIUS MADDEN.

The common seal of the Board of Land and Works was hereunto affixed this 27th day of June, 1951, in the presence of—

(SEAL) A. E. LIND, President.
W. M. CRAWFORD, Member.

WARBURTON RIVER FRONTAGES RESERVES.

RESCISSION OF REGULATIONS.

THE Board of Land and Works, in pursuance of the powers conferred on it, doth hereby rescind the Regulations made on the 21st April, 1926, for the care, protection, and management of the above-named Reserves.—(C.75270).

As witness thereof the common seal of the Board of Land and Works was hereunto affixed this 27th day of June, 1951, in the presence of—

(SEAL) A. E. LIND, President.
W. M. CRAWFORD, Member.

THE "BOTANIC GARDENS," MELBOURNE.

RESCISSION OF REGULATION.

THE Board of Land and Works, in pursuance of the powers conferred on it, doth hereby rescind the Regulation made on the sixth of June, 1951:—

For the care, protection, and management of the above-named Reserve.—(Rs.1041.)

As witness thereof, the common seal of the Board of Land and Works was hereunto affixed this 27th day of June, 1951, in the presence of—

(SEAL) A. E. LIND, President.
W. M. CRAWFORD, Member.

COMMITTEES OF MANAGEMENT OF RESERVES.

APPOINTMENTS.

WHEREAS by section 184 of the *Land Act 1928* it is provided that it shall be lawful for the Governor in Council or the Board of Land and Works to appoint and remove any number of persons, not less than three, or any municipal council, or the governing body of any corporation, to be a Committee of Management of any specified Crown land reserved either temporarily or permanently for any of the purposes set out in section 14 of the *Land Act 1928*, and not conveyed to or vested in trustees: Now therefore the Board of Land and Works doth hereby appoint the under-mentioned persons to be members of the Committee of Management of the Reserves named:—

"BARKLY RECREATION RESERVE."

Clarence George Stewart, Ernest Clyde Driscoll, Merdick Hector Cross, Neil Alexander Emerson, Walter Stewart, Laurence Albert Wright, Leslie Driscoll, Benjamin Driscoll,

and Gordon Jonathan Marland as the Committee of Management for a period of three (3) years of the land temporarily reserved by Order in Council dated 26th May, 1902, as a site for Public Recreation purposes in the Parish of Barkly, and known as the "Barkly Recreation Reserve."—(Corres. Rs.4800.)

"BOWENVALE PUBLIC HALL RESERVE."

Cornelius Hickey, Leslie Joseph Davison, Thomas Patrick Clifford, Donald Leslie Penrose, Raymond Edward Wills, William Alan Long, and Elsyb Clarent Rowe as the Committee of Management for a period of three (3) years from the 19th June, 1951, of the land temporarily reserved by Order in Council dated 20th April, 1885, as a site for a Free Library in the Parish of Maryborough, and known as the "Bowenvale Public Hall Site."—(Corres. Rs.4884.)

"CHILTERN RACECOURSE RESERVE."

John Gordon Byron, Francis James De Piazza, William Walter McLean, Charles Alexander J. Bogetti, and A. Hillier as a Committee of Management for a period of three (3) years from 13th June, 1951, of the land reserved for a Racecourse in the Township and Parish of Chiltern, and known as the "Chiltern Racecourse Reserve."—(Corres. Rs.2437.)

"CORACK PARK."

Edward Robert Sands, Dennis Harty, Joseph Martin Gleeson, Roy Cockfield, and Ray Leonard Madder as the Committee of Management for a period of three (3) years from 1st June, 1951, of the lands temporarily reserved by Orders in Council dated the 12th November, 1912, and the 9th March, 1937, as a site for Public Recreation in the Township of Corack East, and known as the "Corack Park."—(Corres. Rs.2230.)

"CORINELLA RECREATION RESERVE."

Colin Crawford, William Howie, Leslie Wildes, Lewis Hannah, Gordon Hamilton, John Albon, Herbert Williamson, Thomas Whyatt, and Roy Argent as a Committee of Management for a period of three (3) years from 1st June, 1951, of the land temporarily reserved by Order in Council of 26th April, 1932, as a site for Public Recreation in the Parish and Town of Corinella, and known as the "Corinella Recreation Reserve."—(Corres. Rs.312.)

"DARLEY RECREATION RESERVE."

John Muir, Ernest Closter, P. M. Whelan, Thomas Henry Wills, Albert Closter, John McMahon, John Whelan, Arthur McLeod, William C. A. Cairns, and M. D. Dickson as a Committee of Management for a period of three (3) years from 23rd May, 1951, of the land temporarily reserved by Order in Council dated the 6th August, 1903, as a site for Public Recreation in the Town of Darley, and known as the "Darley Recreation Reserve."—(Corres. Rs.2350.)

"ALEXANDRA RESERVE," KERANG.

Norman Sidney Westland, George Sidney Greenwood, William Walter Carruthers, Francis Thomas Sutherland, Vincent Murphy, Edward George Denyer, Henry French Robinson, and Thomas Dunn Laughlin as the Committee of Management for a period of three (3) years from the 20th April, 1951, of the land permanently reserved by Order in Council dated 22nd April, 1904, as a site for Racecourse, Public Recreation, and Show Yards, in the Parish of Kerang, and known as the "Alexandra Reserve," Kerang.—(Corres. Rs.1231.)

LAND RESERVED FOR PUBLIC PURPOSES AT KEW.

The Council of the City of Kew as a Committee of Management of the land in the City of Kew temporarily reserved as a site for Public purposes by Order in Council dated the 18th March, 1947.—(Corres. Rs.5935.)

"KILCUNDA FORESHORE RESERVE."

Allan Richard Hamilton, Hardie Ronald Tilley, N. Davis, Neil Needs, P. W. Dwyer, T. P. Byrne, S. L. Richards, C. L. Dicker, G. Churchill, I. Churchill, and Robert Ramage as a Committee of Management for a period of three (3) years from 28th May, 1951, of the land temporarily reserved by Order in Council dated the 20th January, 1914, as a site for purposes of Public Recreation in the Township of Kilcunda, and known as the "Kilcunda Foreshore Reserve."—(Corres. Rs.119.)

"KOOONWARRA MECHANICS' INSTITUTE RESERVE."

Frederick John Holt, John Bacon, William John Hinds, William James Roberts, Ronald Aulesark, Reginald Walter Smith, Edgar Reginald Smith, Harry Chapple Arnold,

Rupert Alfred Morris, Karl Walter Hengstberger, Ernest John Stockdale, Albert Victor Arnold, and Norman William Caithness as a Committee of Management for a period of three years from 24th February, 1951, of the land temporarily reserved by Order in Council dated the 23rd November, 1891, as a site for a Mechanics' Institute in the Township of Koonwarra, and known as the "Koonwarra Mechanics' Institute Reserve."—(Corres. Rs.1667.)

"LAANECOORIE ON LODDON RECREATION RESERVE."

Ernest James Hallett, William Thomas Trimble, Charles Ernest Cornwall, Gavin Joseph Trimble, Graham Allen Brownbill, Brendon Maxwell Lyon, and Thomas Alexander Smith as the Committee of Management for a period of three (3) years from 10th June, 1951, of the land temporarily reserved by Order in Council of the 4th May, 1948, as a site for Public Recreation in the Township and Parish of Laanecoorie, and known as the "Laanecoorie on Loddon Recreation Reserve."—(Corres. Rs.6165.)

"LAKE BULOKE RECREATION RESERVE."

Bertram Martin Basset, George Stephen Mitchell, Leslie Victor Dunn, John O'Connell, Allen George Clelland Cumming, Walter Young, Cornelius Peter Whelan, and William Alexander Cameron as the Committee of Management for a period of three (3) years from the 15th June, 1951, of the land reserved for Public purposes in the Parish of Witchipool, as indicated by pink tint on plan W/13-4-31 in the Lands Department Correspondence C.74746, and known as the "Lake Buloke Recreation Reserve."—(Corres. Rs.2802.)

"LONGWOOD RACECOURSE AND RECREATION RESERVE."

Edward Gregory Evans, Thomas Brodie, Arthur H. Robins, Robert Joseph Houston, and Thomas Arthur Nelson as a Committee of Management for a period of three (3) years from 28th February, 1951, of the land temporarily reserved by Order in Council dated the 18th January, 1887, as a site for a Racecourse and Recreation Reserve in the Parish of Monea South, in the Township at Longwood Railway Station, and known as the "Longwood Racecourse and Recreation Reserve."—(Corres. Rs.3154.)

"LORNE FORESHORE AND OTHER RESERVES."

Clifford William Green in the place of Theophilus William Joseph Grace, resigned, as a representative of the Board of Land and Works on the Committee of Management of those portions of the reserved Crown lands in the Township and Parish of Lorne, as are indicated by red colour on plan marked L/8.5.42 attached to Lands Department Correspondence Rs.1690, and known as the "Lorne Foreshore and other Reserves."—(Corres. Rs.1690.)

"NEWPORT PUBLIC LIBRARY."

Chester Donald Dott and David Bathie as members of the Committee of Management for the period ending 14th July, 1952, of the land temporarily reserved by Order in Council dated 14th June, 1901, as a site for a Mechanics' Institute in the Parish of Cut Paw Paw, Municipal District of Williamstown, at Newport, and known as the "Newport Public Library," in place of Robert Keith Landells and Herbert Armstrong, both resigned.—(Corres. Rs.1345.)

"PANTON HILL MECHANICS' INSTITUTE AND FREE LIBRARY RESERVE."

Arthur Edwin Cracknell, Aubrey Palmer, Alan Norman Howard, Frederick Norman Bartlett, Robert Cracknell, Stanley Rex Cameron, Wallace John Hepburn, John Joseph Doyle, Frank William Smith, Reginald Wilfred Howard, and William George Conder as a Committee of Management for a period of three (3) years from 1st June, 1951, of the land temporarily reserved by Order in Council dated the 20th December, 1900, as a site for a Mechanics' Institute and Free Library in the Township of Kingston, and known as the "Panton Hill Public Hall Reserve."—(Corres. Rs.2485.)

In witness whereof the common seal of the Board of Land and Works was hereunto affixed this twenty-seventh day of June, One thousand nine hundred and fifty-one, in the presence of—

(SEAL) A. E. LIND, President.
W. M. CRAWFORD, Member.

LAND AVAILABLE UNDER THE SOLDIER SETTLEMENT ACTS.

NOTIFICATION is hereby given in accordance with Section 16 of the *Soldier Settlement Act 1946*, that the under-mentioned lots are available or are about to become available for settlement.

Any discharged soldier who has applied to the Commission on or before the 4th July, 1951, for classification in the required class or classes of primary production for which the lots are made available and whose application has been accepted but not necessarily finalized, or any discharged soldier who has been classified as suitable in such class or classes of primary production, may apply on the prescribed form for settlement on any lot or lots, indicating where he applies in respect of more than one lot, his order of preference therefor.

The prescribed application forms, plans, and further particulars may be obtained from the Enquiry Branch, Soldier Settlement Commission, State Public Offices, Melbourne. The closing date for the receipt of completed applications for settlement on these holdings is the 30th July, 1951, such applications to be in the hands of the Secretary, Soldier Settlement Commission on or before that date.

E. SINGLETON,
Secretary.

Soldier Settlement Commission,
Melbourne, 23th June, 1951.

SCHEDULE OF ALLOTMENTS.

"RUSSELLS" ESTATE.

PARISH OF PHILLIP ISLAND, COUNTY OF MORNINGTON.
Suitable for Grazing (Sheep).

Lot Number on Plan of Subdivision.	Area in Acres (Subject to Survey).
1	441

SUBDIVISION OF "BURDENS" ESTATE.

PARISHES OF ENSAY AND NUMBIE MUNJIE, COUNTY OF TAMBO.
Suitable for Grazing (Sheep) and Some Dairying.

Lot Number on Plan of Subdivision.	Approximate Area in Acres (Subject to Survey).
1	417
2	400
3	474

Land Act 1928.

PERMIT SURRENDERED.

NOTICE is hereby given that the Permit mentioned in the Schedule hereunder has been surrendered.

District.	Corr. No.	Name of Permit Holder.	Parish.	Allotment.	Section.	Area.
Melbourne	1905/44.81	Robert William West	Neerim East	16A	C	A. B. P. 177 1 29

Office of Crown Lands and Survey,
Melbourne, 4th July, 1951.

A. E. LIND,
Commissioner of Crown Lands and Survey.

PUBLIC SERVICE NOTICES.

PUBLIC SERVICE (PUBLIC SERVICE BOARD) REGULATION 39.—VACANCY.

NOTIFICATION is hereby given that the Permanent Head, Department of Water Supply, has recommended to the Public Service Board that the employee named hereunder be appointed to the under-mentioned vacancy in the Professional Division in his Department.

Office and Classification.	Duties.	Qualifications.	Employee Recommended for Appointment.		
			Name.	Position.	Date of Temporary Appointment.
Assistant Engineer, Class "C" (Rocklands Reservoir)	To prepare designs and estimates for hydraulic structures, dams, and channels and, where necessary, to supervise construction work of this nature	To possess a University Degree in Civil Engineering, or other recognized engineering qualification, together with some experience in design and construction of water supply works	Cumming, A. P.	Assistant Engineer, Grade I.	25.1.51

Appeals against such recommendation should be lodged with the Secretary to the Public Service Board not later than Saturday, the 14th July, 1951.

Office of the Public Service Board,
Melbourne, 2nd July, 1951.

By order,
E. F. FITZGIBBON,
Secretary.

PUBLIC SERVICE (PUBLIC SERVICE BOARD) REGULATION 39.—VACANCIES.

THE Permanent Heads of the Departments shown have recommended the officers named hereunder for appointment to the under-mentioned vacancies.

Office and Classification.	Duties.	Qualifications.	Officer Recommended for Appointment.		
			Name.	Classification.	Date of Classification.

ADMINISTRATIVE DIVISION.

DEPARTMENT OF WATER SUPPLY.

Accounts Branch.

Clerk, Class "B"	To supervise the preparation of costing data; to take charge of the mechanized accounting work, and to prepare statements of costs and expenditure	To possess a detailed knowledge of the works and activities of the Commission and of its costing system. To have a comprehensive knowledge of the Water Acts, and to have had extensive experience in the operation and control of mechanized accounting work	Harrison, A. F. J.	Clerk, Class "C2"	5.10.47
------------------	--	---	--------------------	-------------------	---------

PROFESSIONAL DIVISION.

DEPARTMENT OF CROWN LANDS AND SURVEY.

Senior Draughtsman, Class "B"	Under the direction of the Chief Draughtsman to have charge of the work and staff of the Regional Mapping Section	To be a competent survey draughtsman with a thorough knowledge and experience of the various processes of plan production, in colour, including colour separation of negatives and preparation of plates for line and half-tone and of the printing-down of same. To possess ability to control staff	Pescia, C. C.	Draughtsman, Class "C2"	17.2.49
-------------------------------	---	---	---------------	-------------------------	---------

DEPARTMENT OF STATE FORESTS.

Chief Forester, Class "C2" (two offices)	To supervise and control all forest activities in a forest district	To be a graduate of the School of Forestry, Creswick, or the holder of a Science Degree (Forestry), or a Diploma in Forestry, and to have had approved experience in the administration of a forest district, and proved ability to control staff	Weetman, A. Halloran, F. J.	Forester, Grade I, Class "C1"	28.11.48
--	---	---	--------------------------------	-------------------------------	----------

TECHNICAL AND GENERAL DIVISION.

DEPARTMENT OF HEALTH.

Mental Hygiene Branch.

Nurse, Grade I., Mental Hospital, Royal Park (two offices)	To take charge or sub-charge of a ward in a Mental Hospital	To possess the Mental Hygiene Nursing Certificate and to have had experience as a Nurse, Grade II., in a Mental Hospital	Wallis, V. M. Colec, M. E. D. (Mrs.)	Nurse, Grade II.	10.3.46 30.6.46
--	---	--	---	------------------	--------------------

Appeals against such recommendations should be lodged with the Secretary to the Public Service Board not later than Saturday, the 14th July, 1951.

Office of the Public Service Board,
Melbourne, 2nd July, 1951.

By order,
E. F. FITZGIBBON,
Secretary.

PUBLIC SERVICE (PUBLIC SERVICE BOARD) REGULATION 39.—RECLASSIFICATIONS.

THE Public Service Board has raised the classification of the under-mentioned offices as shown, and the Permanent Heads of the Departments have recommended the officers named for appointment.

Office and Present Classification.	Revised Classification.	Duties.	Qualifications.	Officer Recommended for Appointment.		
				Name.	Classification.	Date of Classification.

ADMINISTRATIVE DIVISION.

DEPARTMENT OF WATER SUPPLY.

Assistant Accountant, Class "B1"	Assistant Chief Accountant, Class "A" (£1,000)		To be a qualified accountant, and to have ability to control and direct a large staff; to possess an intimate knowledge of the Water Acts and relevant legislation, and to be familiar with Treasury procedure, the incidence of rating, and the principles governing the administration and control of funds	Hay, C. P.	Clerk, Class "B1"	20.3.48
Clerk, Class "B"	Class "B1"	To act as Assistant Chief Stores Officer	To be familiar with all types of stores and materials and mechanical plant and equipment used on Commission's works, and to be capable of controlling and directing the work of a large staff; to possess a thorough knowledge of the Commission's organization and stores system	Forrester, L. R.	Clerk, Class "B"	28.3.49
Clerk, Class "C2" (District Accounting Officer) (four offices)	Class "B" (District Accounting Officer) (four offices)		A good knowledge of the Water Acts, a knowledge of the incidence of rating, and experience in rate collecting; ability to conduct negotiations and correspondence, and to represent the Commission in proceedings for recovery of rates	Cameron, E. D. G. Douglas, A. A. Griffiths, J. W. J. Miles, J. A.	{ Clerk, Class "C2" (District Accounting Officer) }	5.10.47
<i>Shepparton</i>						
<i>Horsham</i>						
<i>Castlemaine</i>						
<i>Werribee</i>						
Clerk, Class "C1" (District Accounting Officer) (five offices)	Class "C2" (District Accounting Officer) (five offices)		A good knowledge of the Water Acts, a knowledge of the incidence of rating, and experience in rate collecting; ability to conduct negotiations and correspondence, and to represent the Commission in proceedings for recovery of rates	Roberts, T. A. Threlfall, S. W. R. Moon, G. A. McCallum, G. A. R. S. Watson, E. P.	{ Clerk, Class "C1" (District Accounting Officer) }	7.3.49 29.8.49 12.4.48 1.1.48 7.3.49
<i>Chelsea</i>						
<i>Nyah West</i>						
<i>Ouyen</i>						
<i>Tatura</i>						
<i>Birchip</i>						
Clerk, Class "C1" (Works Accountant) (three offices)	Class "C2" (Works Accountant) (three offices)		Ability to supervise and direct staff; to be familiar with Arbitration Court awards and conditions, and with the administration of a large construction camp; to possess a sound knowledge of Government accounting procedure and of costing principles	Moylan, M. C. Swanell, R. F. Comte, T. A.	{ Clerk, Class "C1" (Works Accountant) }	1.1.48
<i>Cairn Curran Dam</i>						
<i>Murray Valley Construction Works</i>						
<i>Central Plant Workshops</i>						

PUBLIC SERVICE (PUBLIC SERVICE BOARD) REGULATION 39.—RECLASSIFICATIONS.—*continued.*

Office and Present Classification.	Revised Classification.	Duties.	Qualifications.	Officer Recommended for Appointment.		
				Name.	Classification.	Date of Classification.
ADMINISTRATIVE DIVISION—<i>continued.</i>						
DEPARTMENT OF WATER SUPPLY—<i>continued.</i>						
Clerk, Class "C" (District Accounting Officer) (five offices)	Class "C1" (District Accounting Officer) (five offices)		A good knowledge of the Water Acts, a knowledge of the incidence of rating, and experience in rate collecting; ability to conduct negotiations and correspondence, and to represent the Commission in proceedings for recovery of rates	Grigg, T. P. . . Hinks, A. S. . . McCannon, B. C. . . Bray, A. F. . . Baxter, E. . .	Clerk, Class "C" (District Accounting Officer)	11.6.47 21.3.48 21.3.48 21.3.48 21.3.48
<i>Cobram</i>						
<i>Merbein</i>						
<i>Pyramid</i>						
<i>Camperdown</i>						
<i>Hopeloun</i>						
Clerk, Class "C"	Class "C1"	To assist in accounting investigations and research	To be a qualified accountant; to possess an intimate knowledge of the Water Acts and relevant legislation; to be capable of conducting investigations and enquiries, analysing statements of accounts and making reports	Lenne, D. J.	Clerk, Class "C"	16.5.49
Clerk, Class "D"	Class "C"	To issue, under direction, all Expenditure Authorities covering all funds controlled by the Commission and to record loan commitments; to reconcile machines cost postings with financial records; to prepare financial statements as required	To have a good knowledge of the Commission's activities and its system of accounts, and of the Treasury Regulations respecting Public Accounts; to have had considerable experience of mechanized accounting and recording of financial data	Osborne, W. S.	Clerk, Classes "E" and "D"	3.5.44
Clerk, Class "D" (District Accounting Officer)	Class "C" (District Accounting Officer) (<i>Boort</i>)		A good knowledge of the Water Acts, a knowledge of the incidence of rating and experience in rate collecting; ability to conduct negotiations and correspondence, and to represent the Commission in proceedings for recovery of rates	Richards, W. A.	Clerk, Classes "E" and "D"	14.4.37

PROFESSIONAL DIVISION.

DEPARTMENT OF CHIEF SECRETARY.

National Museum.

Mammalogist, Class "C2"	Class "B"	To be Curator of Mammals in the National Museum; to carry out research work on the museum collections and in the field on mammal problems; to conduct lectures and demonstrations on museum subjects; and to assist on other museum matters as required by the Director	To have had detailed experience in the collection, preparation and maintenance of museum mammal collections; to have conducted research work in mammalogy as evidenced by published works; and to have proved ability to lecture on such matters	Brazenor, C. W.	Mammalogist, Class "C2"	5.10.47
Preparator, Grade I, Class "C"	Grade I, Class "C1"	To have charge of the Preparatorial Department of the Museum; to prepare zoological and geological material for inclusion in the scientific and study collections; to prepare and arrange material for exhibition both in the form of dioramas and normal exhibition; and to prepare in plastics or latex models of natural history specimens	To have had detailed experience in the control of a Preparatorial Department; to have proved experience in the handling of natural history material both for study purposes and for exhibition; and to have had experience in the use of modern plastics and latex in museum techniques	Boswell, P. C. R.	Preparator, Grade I, Class "C"	2.6.48

PUBLIC SERVICE (PUBLIC SERVICE BOARD) REGULATION 39.—RECLASSIFICATIONS—*continued.*

Office and Present Classification.	Revised Classification.	Duties.	Qualifications.	Officer Recommended for Appointment.		
				Name.	Classification.	Date of Classification.
PROFESSIONAL DIVISION—<i>continued.</i>						
DEPARTMENT OF PUBLIC WORKS.						
Draughtsman, Class "C"	Senior Draughtsman, Class "C1"	To prepare, under direction, plans, specifications, and estimates of mechanical installations and services in all types of public buildings	To have had a sound technical training in mechanical engineering together with several years drawing office experience in plant design and layout, particularly in relation to heating hot water supply, air conditioning, steam plant, and refrigeration	Broughton, N. L. R.	Draughtsman, Class "C"	13.4.50

Appeals against such recommendations should be lodged with the Secretary to the Public Service Board not later than Saturday, the 14th July, 1951.

Office of the Public Service Board,
Melbourne, 2nd July, 1951.

By order,
E. F. FITZGIBBON,
Secretary.

PUBLIC SERVICE OF VICTORIA.—VACANCIES.

A PPLICATIONS will be received by the Public Service Board up to Wednesday, the 18th July, 1951, from persons employed in the Public Service of Victoria, who are eligible and qualified, for appointment to the under-mentioned positions:—

ADMINISTRATIVE DIVISION.

Clerk, Class "B," Accounts Branch, Department of Water Supply.

Yearly Salary.—£761, minimum; £839, maximum.

Duties.—To supervise the registration of accounts and examination of claims and journal entries with official orders; to prepare summaries and schedules of accounts and chargings for payment by the Treasury; to conduct inquiries regarding disputed or delayed claims, and perform other special duties.

Qualifications.—To possess a sound knowledge of the Water Acts, Treasury Regulations respecting Public Accounts, and the Public Service Regulations. To be thoroughly conversant with the Commission's accounting procedure, and to be capable of controlling staff.

Clerk, Class "C," Stamp Duties Office, Department of Treasurer.

Yearly Salary.—£475, minimum; £579, maximum.

Duties.—To assist in the assessment of stamp duty on instruments chargeable therewith presented for immediate stamping; in the examination and checking of insurance companies' books in respect of the accuracy of the statement of business lodged with their applications for annual licences, and as cashier and to relieve senior officers whilst on leave.

Qualifications.—To have a sound knowledge of the Stamps Act and Regulations relative to the assessment and payment of stamp duty on legal documents, and the issue of annual licences to insurance companies.

Clerk, Class "C," Scholarships and Transport Branch, Department of Education.

Yearly Salary.—£475, minimum; £579, maximum.

Duties.—To assist in the work of the branch, particularly in dealing with correspondence relating to the establishment and conduct of school bus services.

Qualifications.—A knowledge of the requirements relating to the conveyance of pupils to school; initiative, ability, and experience in dealing with correspondence.

Clerk, Class "C," Frankston Centre, Department of Water Supply.

Yearly Salary.—£475, minimum; £579, maximum.

Duties.—To assist the District Accounting Officer in the collection of revenue, the keeping of the necessary books of accounts, the preparation of wages sheets, and other accounting work.

Qualifications.—A knowledge of the incidence of rating and experience in rate collecting; a good knowledge of the Water Acts, Land Acts, and Local Government Acts; ability to conduct negotiations and correspondence.

PROFESSIONAL DIVISION.

Clerk of Courts, Grade I, Class "B" (North Melbourne), Courts Branch, Department of Law.

Yearly Salary.—£761, minimum; £839, maximum.

Qualifications.—As prescribed by Regulation 47 of the Public Service (Public Service Board) Regulations.

Staff Surveyor, Class "C2," Survey Branch, Department of Crown Lands and Survey.

Yearly Salary.—£683, minimum; £735, maximum.

Duties.—To make surveys of Crown lands in rural areas; to prepare designs of subdivision; to report upon and classify Crown lands.

Qualifications.—To be a licensed surveyor experienced in the subdivision of Crown lands; to have a good working knowledge of the Land Acts, Transfer of Land Act, Survey Co-ordination Act, and the Regulations thereunder affecting the survey of land.

Assistant Engineer, Grade I, Class "C2," Toolondo Works (Horsham), Department of Water Supply.

Yearly Salary.—£683, minimum; £735, maximum.

Duties.—To supervise, under direction, construction of Toolondo Outlet Channel Works, and to direct surveys, and prepare plans, specifications, estimates, and reports in regard to the works.

Qualifications.—To possess a University Degree or Technical School Diploma in Civil Engineering, or other engineering qualifications; to be competent to carry out surveys; to be well versed in modern engineering practice, and in the design and construction of channels and structures for water supply works.

Professional Assistant, Class "C1," Crown Solicitor's Office, Department of Law.

Yearly Salary.—£605, minimum; £657, maximum.

Duties.—To make General Law searches and inspect General Law deeds; to prepare conveyancing documents and, as required, check transfers and the like prepared by junior officers of the Branch.

Qualifications.—To be a barrister and solicitor of the Supreme Court of Victoria with adequate experience in conveyancing matters.

Clerk of Courts, Grade III, Class "C," Courts Branch, Department of Law. (Four vacancies.)

Yearly Salary.—£475, minimum; £579, maximum.

Qualifications.—As prescribed by Regulation 47 of the Public Service (Public Service Board) Regulations.

Inspector of Works, Class "C," Department of Public Works.

Yearly Salary.—£475, minimum; £579, maximum.

Qualifications.—To possess ability to make reports; to prepare estimates of costs of works, and to make sketch plans; to have a comprehensive knowledge of the building trades and suitable technical qualifications.

Draughtsman, Class "D," Tatura Centre, Department of Water Supply.

Yearly Salary.—£338, minimum; £436, maximum.

Duties.—To prepare survey plans and designs of civil and hydraulic engineering structures; to take out earthwork quantities, and prepare longitudinal sections of channels and pipe lines for water supply and drainage.

Qualifications.—

(1) To have passed—

(a) the School Leaving Examination, including English, Mathematics I., and Mathematics II.; or

(b) the School Intermediate Examination and, in addition, School Leaving English, Mathematics I., and Mathematics II.; or

(c) an equivalent Technical School Examination; and

(2) to be experienced in the type of work outlined in the duties.

TECHNICAL AND GENERAL DIVISION.

Assistant (Male), Grade II, Office of Titles, Department of Law.

Yearly Salary.—Junior—according to age. Adult—£325, minimum; £390, maximum.

Duties.—To do simple endorsing work in the Registration Branch.

Qualifications.—To be accurate and a good penman, and to have a knowledge of the various forms used in registration of dealings.

Caretaker, Assistant, New Treasury Building, Department of Public Works.

Yearly Salary.—£325, minimum; £364, maximum.

Duties.—To assist Caretaker, New Treasury Building, in the control of staff of labourers and cleaners; to relieve caretaker, keep records, and perform other duties as required.

Qualifications.—To be conversant with the cleaning arrangements of the New Treasury Building, and to be experienced in controlling staff and in dealing with the public.

NOTE.—Successful applicant will be required to commence duty daily at 6 a.m.

Shorthand Writer and Typist (Female), Grade II, Office of the Chief Commissioner of Police, Department of Chief Secretary.

Yearly Salary.—£299, minimum; £312, maximum.

Duties.—To act as Shorthand Writer and Typist for the Senior Administrative officers of the Department.

Qualifications.—To be a competent Shorthand Writer and Typist, and sufficiently experienced to be able to allocate and supervise the work of the typing staff.

Shorthand Writer and Typist (Female), Grade II, Tuberculosis Branch, Department of Health.

Yearly Salary.—£299, minimum; £312, maximum.

Duties.—To act as Shorthand Writer and Typist to the Director of Tuberculosis and Senior Administrative officers of the Branch.

Qualifications.—To be a competent Shorthand Writer and Typist, with ability to take notes at the rate of 100 words per minute, and set out and type correspondence, reports, and statements.

NOTE.—In addition to the salary rates quoted, a cost of living adjustment (£234 a year for adult males, £175 10s. a year for adult females, and £117 a year for minors), which varies in accordance with the rise or fall in the index number of the cost of living, is payable.

By order,

E. F. FITZGIBBON,

Secretary.

Office of the Public Service Board,
Melbourne, 2nd July, 1951.

EXAMINATION FOR LICENCE AS SHORTHAND WRITER.

IT is hereby notified that the under-mentioned persons passed the examination held on the 30th June, 1951, for licence as Shorthand Writer under the *Evidence Act 1928*:—

CASSIDY, WILLIAM STANLEY PEACE.
DARBY, RUPERT ORMOND.
DAVIS, GWENDOLINE AGNES ANNABELLE.

By order,

E. F. FITZGIBBON,

Secretary.

Office of the Public Service Board,
Melbourne, 3rd July, 1951.

No. 100.

Public Service Act 1946, Section 50.

REGULATIONS.—PART III.—SALARIES, INCREMENTS, AND ALLOWANCES.

THE Public Service Board, in pursuance of the powers conferred by the *Public Service Act 1946*, hereby amends its Regulations as shown below:—

SECOND SCHEDULE.

TECHNICAL AND GENERAL DIVISION.

Offices and Rates of Salaries.

Department and Office.	Yearly Rate of Salary.		Increments (Annual).
	Minimum.	Maximum.	
DEPARTMENT OF AGRICULTURE.	£	£	
<i>Delete—</i>			
Demonstrator in Horticulture ..	410	462	2 of £26
Demonstrator in Horticulture, Assistant ..	358	410	2 of £26
Farm Foreman, Longerenong Agricultural College	325	..
Farm Instructor, Longerenong Agricultural College ..	299	338	..
Gardening Instructor, School of Primary Agriculture, Burnley	332	358	..
House Supervisor, Dookie Agricultural College ..	410	488	3 of £26
<i>Add—</i>			
Demonstrator in Horticulture ..	436	488	2 of £26
Demonstrator in Horticulture, Assistant ..	384	436	2 of £26
Farm Foreman, Longerenong Agricultural College	351	..
Farm Instructor, Longerenong Agricultural College ..	325	364	..
Gardening Instructor, School of Primary Agriculture, Burnley	358	384	1 of £26
House Supervisor, Dookie Agricultural College ..	436	514	3 of £26

This Regulation shall have effect as on and from the 24th June, 1951.

D. D. PAINE, Chairman.

E. F. FITZGIBBON, Secretary.

Office of the Public Service Board,
Melbourne, 19th June, 1951.

No. 09.

Public Service Act 1946, Section 39.

REGULATIONS.—PART III.—SALARIES, INCREMENTS, AND ALLOWANCES.

THE Public Service Board, in pursuance of the powers conferred by the Public Service Act 1946, hereby amends its Regulations as shown below :—

FIRST SCHEDULE.
PROFESSIONAL DIVISION.
Offices and Rates of Salaries.

Office.	Yearly Rate of Salary.	
	Minimum.	Maximum.
DEPARTMENT OF AGRICULTURE.		
CLASS "C."		
<i>Add—</i> Poultry Instructor, Longerenong Agricultural College	£ 475	£ 579
CLASS "D."		
<i>Delete—</i> Poultry Instructor, Longerenong Agricultural College	416	436

D. D. PAINE, Chairman.
E. F. FITZGIBBON, Secretary.

Office of the Public Service Board,
Melbourne, 19th June, 1951.

No. 101.

Public Service Act 1946, Section 39.

REGULATIONS.—PART III.—SALARIES, INCREMENTS, AND ALLOWANCES.

THE Public Service Board, in pursuance of the powers conferred by the Public Service Act 1946, hereby amends its Regulations as shown below :—

SIXTH SCHEDULE.
TEMPORARY EMPLOYEES.
Designations of Positions and Rates of Salaries.

Department and Designation of Position.	Yearly Rate of Salary.		Increments (Annual).
	Minimum.	Maximum.	
DEPARTMENT OF HEALTH.			
MENTAL HYGIENE.			
<i>Add—</i> Pharmaceutical Chemist	£ ..	£ 605	..

This Regulation shall have effect as on and from the 24th April, 1951.

D. D. PAINE, Chairman.
E. F. FITZGIBBON, Secretary.

Office of the Public Service Board,
Melbourne, 25th June, 1951.

TENDERS.

TENDERS will be received at this office until **TEN A.M.** on the days and for the purposes under mentioned. Particulars may be learnt at this Office and also at places shown in parenthesis.

W.O. means Inspector of Works Office; P.S.—Police Station; T.S.—Technical School; H.E.S.—Higher Elementary School; S.S.—State School; H.S.—High School; P.D.—Preliminary deposit; F.D.—Final deposit.

The Board of Land and Works will not necessarily accept the lowest or any tender.

10th July, 1951.

Addington.—New septic tank, S.S. No. 226. (W.O., Ballarat; S.S., Addington.) P.D., £5. F.D., 2 per cent.

Ballarat.—Extension and alteration to vegetable preparation room, Mental Hospital. (W.O., Ballarat; Mental Hospital, Ballarat.) P.D., £5. F.D., 2 per cent.

Beechworth.—Construction of potato room, staff dining room, and change room to main kitchen, Mental Hospital. (W.O., Wangaratta; P.S., Beechworth.) P.D., £15. F.D., 2 per cent.

Benambra.—Repairs, painting, and alterations, S.S. No. 1746. (W.O., Bairnsdale; S.S., Benambra.) P.D., £10. F.D., 2 per cent.

Bendigo.—Additional out-office accommodation, S.S. No. 877. (W.O., Bendigo; P.S., Castlemaine, Eaglehawk; S.S., Bendigo.) P.D., £4. F.D., 2 per cent.

Bendigo.—Repairs and renovations and attention to drains, &c., Gaol. (W.O., Bendigo; P.S., Castlemaine, Eaglehawk.) P.D., £10. F.D., 2 per cent.

Bendigo North.—Removal of S.S. No. 1879, Waanyarra, and re-erection, S.S. No. 1267. (W.O., Bendigo; S.S., Bendigo North.) P.D., £10. F.D., 2 per cent.

Boort.—Standard residence for teacher, S.S. No. 1796. (W.O., Bendigo; S.S., Boort.) P.D., £15. F.D., 2 per cent.

Broadford.—Repairs, painting, and internal renovations to assistant's residence (Hamilton-street), S.S. No. 1125 (W.O., Alexandra; S.S., Broadford.) P.D., £5. F.D., 2 per cent.

Camberwell South.—Roof repairs and internal painting and renovations, S.S. No. 4170. P.D., £10. F.D., 2 per cent.

Carlton.—Alterations and additions, Transport Regulation Board. P.D., £25. F.D., 2 per cent.

Carrajuong South.—Erection of new teacher's residence, S.S. No. 3304. (W.O., Traralgon; P.S., Yarram; S.S., Carrajuong South.) P.D., £15. F.D., 2 per cent.

Cobram.—Erection of cookery wing, Consolidated School. (W.O., Benalla; S.S., Cobram.) P.D., £50. F.D., 2 per cent.

Colac West.—Repairs and painting, S.S. No. 4064. (W.O., Camperdown; S.S., Colac West.) P.D., £15. F.D., 2 per cent.

Corryong.—Supply and installation of central heating and hot-water systems, Nurses' Home, District Hospital. (W.O., Wangaratta.) P.D., £15. F.D., 2 per cent.

Corryong.—Electrical installation in new Nurses' Home, District Hospital. (W.O., Wangaratta; P.S., Corryong, Rutherglen.) P.D., £10. F.D., 2 per cent.

Creswick North.—Alterations to out-offices and installation of septic tank, S.S. No. 2041. (W.O., Ballarat; S.S., Creswick North.) P.D., £5. F.D., 2 per cent.

Daylesford.—Supply, installation, and testing of a kerosene hot-water service, teachers' residence, H.E.S. (W.O., Ballarat.) P.D., £3. F.D., 2 per cent.

Dederang.—General repairs and painting, P.S. (W.O., Wangaratta; P.S., Dederang, Myrtleford, Tallangatta.) P.D., £10. F.D., 2 per cent.

Dooen.—Additions to science building, Longerenong Agricultural College. (W.O., Ballarat, Horsham, Warracknabeal; Longerenong Agricultural College, Dooen.) P.D., £20. F.D., 2 per cent.

Drysdale.—Repairs and painting, S.S., No. 1645. (W.O., Geelong; P.S., Queenscliff; S.S., Drysdale.) P.D., £5. F.D., 2 per cent.

Eaglehawk.—Internal and external repairs and painting and provision of display boards, S.S. No. 210. (W.O., Bendigo; S.S., Eaglehawk.) P.D., £10. F.D., 2 per cent.

Fairfield.—Erection of new covered ways, Exotic Diseases Block, Infectious Diseases Hospital. P.D., £20. F.D., 2 per cent.

Fairfield.—Improvement of natural lighting in classrooms, S.S., No. 2711. (S.S., Fairfield.) P.D., £5. F.D., 2 per cent.

Fairfield.—Alterations to existing ward building to provide laboratories in Tuberculosis Section, Infectious Diseases Hospital. (Infectious Diseases Hospital, Fairfield.) P.D. £20. F.D., 2 per cent.

Gardenvale.—Erection of timber escape stairway, S.S., No. 3897. (S.S., Gardenvale.) P.D., £15. F.D., 2 per cent.

Geelong.—Erection of timber residence for Inspector, Fisheries and Game Department. (W.O., Geelong.) P.D., £15. F.D., 2 per cent.

Geelong.—Erection of timber residence for Inspector of Works, Public Works Department. (W.O., Geelong.) P.D., £20. F.D., 2 per cent.

Inverloch.—Erection of new timber residence, S.S., No. 2776. (W.O., Korumburra; S.S., Inverloch.) P.D., £15. F.D., 2 per cent.

Jeparit.—Erection of timber framed school buildings, Consolidated School. (W.O., Ballarat, Warracknabeal.) P.D., £50. F.D., 2 per cent. (Quantities available.)

Kingston.—Erection of new timber residence for teacher, S.S., No. 759. (W.O., Ballarat; S.S., Kingston.) P.D., £15. F.D., 2 per cent.

Kotupna.—Repairs and renovations, S.S., No. 1999. (W.O., Shepparton; P.S., Numurkah; S.S., Kotupna.) P.D., £10. F.D., 2 per cent.

Lancaster.—New porch, folding partition, heating stove, &c., S.S., No. 1814. (W.O., Shepparton; P.S., Kyabram, Murchison, Numurkah; S.S., Lancaster.) Deposit, £4.

Maribyrnong.—External repairs and renovations, S.S. No. 3736. (S.S., Maribyrnong.) P.D., £5. F.D., 2 per cent.
Merlynston.—External repairs and painting, S.S. No. 4328. (S.S., Merlynston.) Deposit, £10.

Mont Park.—Sewerage reticulation—diversion of sewer drain, Gresswell Sanatorium. P.D., £15. F.D., 2 per cent.

Mont Park.—Supply and installation of mechanical services in laundry, Larundel Mental Hospital. P.D., £25. F.D., 2 per cent.

Myrning.—Erection of new residence, S.S., No. 487. (P.S., Bacchus Marsh; S.S., Myrning.) P.D., £15. F.D., 2 per cent.

Olinda.—Erection of new timber residence, S.S., No. 3494. P.D., £15. F.D., 2 per cent.

Port Fairy.—Erection of new timber out-office block, Consolidated School No. 1188. (W.O., Warrnambool; P.S., Port Fairy; Consolidated School, Port Fairy.) P.D., £10. F.D., 2 per cent.

Rosedale.—Supply and installation of a kerosene hot-water service, teachers' residence, S.S., No. 770. (W.O., Traralgon; P.S., Moe.) P.D., £3. F.D., 2 per cent.

South Melbourne.—Alterations and renovations to Engineering Shop, T.S. P.D., £15. F.D., 2 per cent.

South Melbourne.—Supply and delivery of one (1) only three-gang tractor-drawn grass mower, Police Depot, St. Kilda-road. (Full details and delivery date to be included in tender.)

Sunbury.—External painting and repairs, Administrative Block, Mental Hospital. (P.S., Sunbury.) P.D., £10. F.D., 2 per cent.

Sunbury.—Erection of Hostel for Nurses, Mental Hospital. (P.S., Sunbury.) P.D., £50. F.D., 2 per cent.

Werribee.—Provision of plant breeding cage, Research Farm. (P.S., Werribee; Research Farm, Werribee.) P.D., £4. F.D., 2 per cent.

Werribee.—Raising and re-blocking residence, repairs, and painting, Research Farm. (P.S., Bacchus Marsh, Werribee.) P.D., £10. F.D., 2 per cent.

Yarram.—Kerosene hot-water service, teacher's residence (Union-street), S.S., No. 693. (W.O., Traralgon.) P.D., £3. F.D., 2 per cent.

17th July, 1951.

Beaufort.—Additions and renovations to Cookery Room, S.S., No. 60. (W.O., Ararat, Ballarat; S.S., Beaufort.) P.D., £15. F.D., 2 per cent.

Camperdown.—Septic tank installation, S.S. No. 114. (W.O., Camperdown; P.S., Colac; S.S., Camperdown.) P.D., £5. F.D., 2 per cent.

Carpentait.—Erection of timber residence for teacher, S.S. No. 1500. (W.O., Camperdown; P.S., Colac; S.S., Carpentait.) P.D., £15. F.D., 2 per cent.

Clunes.—Repairs and renovations, Town Hall and Court House. (W.O., Maryborough; P.S., Clunes.) P.D., £10. F.D., 2 per cent.

Drouin.—Erection of "A" type office and single out-office and fencing, P.S. (W.O., Traralgon; P.S., Drouin.) P.D., £10. F.D., 2 per cent.

Echuca.—External and internal repairs and renewals and spouting, S.S. No. 208. (W.O., Shepparton; S.S., Echuca.) P.D., £15. F.D., 2 per cent.

Euroa.—Repairs and painting, Court House. (W.O., Benalla; P.S., Euroa.) P.D., £10. F.D., 2 per cent.

Greenvale.—Erection of bus shelter, toilet, and paths, Sanatorium. P.D., £10. F.D., 2 per cent.

Greta West.—Erection of new timber residence, S.S. No. 2573. (W.O., Benalla, Wangaratta.) P.D., £15. F.D., 2 per cent.

Jordanville.—Supply, delivery, and installation and testing of heating and ventilating system, S.S. (M.A.). P.D., £15. F.D., 2 per cent.

Kaniva.—Extension of central heating and hot-water services to Cookery Room, Consolidated School. (W.O., Horsham; P.S., Kaniva.) P.D., £5. F.D., 2 per cent.

Kanya.—Repairs and painting, S.S. No. 2174. (W.O., Ararat; P.S., Marnoo, Stawell; S.S., Kanya.) P.D., £4. F.D., 2 per cent.

Kew.—General alterations and installation of fittings, &c., Children's Cottages, Ward F.4, Mental Hospital. Deposit, £15.

Leopold.—Alterations, &c., to boys' and girls' out-offices and new septic tank, S.S. No. 1146. (W.O., Geelong; S.S., Leopold.) Deposit, £4.

Melbourne.—Renovations to caretaker's residence on roof, State Rivers and Water Supply Commission, Centenary Hall, Exhibition-street. P.D., £4. F.D., 2 per cent.

Mont Park.—Erection of new timber sorting and linen store, Gresswell Sanatorium. P.D., £20. F.D., 2 per cent.

Mornington.—Erection of brick veneer residence, P.S. (P.S., Mornington.) P.D., £15. F.D., 2 per cent.

Prahran.—Supply and installation of mechanical services, Girls' T.S., P.D., £25. F.D., 2 per cent.

South Melbourne.—Renovations, Nurses' Hostel, Police Depot Hospital, St. Kilda-road. P.D., £5. F.D., 2 per cent.

Stawell.—Alterations and additions to out-offices and wash room, Girls' and Toddlers' Ward, Pleasant Creek Special School. (W.O., Ararat; P.S., Stawell; Pleasant Creek Special School, Stawell.) P.D., £10. F.D., 2 per cent.

Stawell.—Erection of store and sewing room, Pleasant Creek Special School. (W.O., Ararat, Ballarat; Pleasant Creek Special School, Stawell.) P.D., £15. F.D., 2 per cent.

Sunbury.—New stainless steel sinks and benches, Mental Hospital. (Mental Hospital, Sunbury.) P.D., £5. F.D., 2 per cent.

Tatura.—Erection of new police station and cell block, P.S. (W.O., Bendigo, Shepparton; P.S., Echuca, Murchison, Tatura.) P.D., £15. F.D., 2 per cent.

Terang.—Installation of septic tank system and new out-office block for girls, S.S. No. 617. (W.O., Camperdown, Warrnambool; S.S., Terang.) P.D., £5. F.D., 2 per cent.

Trentham.—Supply, installation, and testing of a kerosene hot-water service, teacher's residence, S.S. No. 1588. (W.O., Ballarat; P.S., Castlemaine.) P.D., £3. F.D., 2 per cent.

Wodonga.—Erection of a new timber residence, S.S. No. 37. (W.O., Wangaratta; S.S., Wodonga.) P.D., £15. F.D., 2 per cent.

24th July, 1951.

Ararat.—Erection of covered ways and porches, Mental Hospital. (W.O., Ararat, Ballarat; P.S., Stawell; Mental Hospital, Ararat.) P.D., £15. F.D., 2 per cent.

Bairnsdale.—Electrical installation in offices, &c., Court House. (W.O., Bairnsdale.) P.D., £5. F.D., 2 per cent.

Ballarat.—Alterations and additions to staff mess room, Mental Hospital. (W.O., Ballarat; Mental Hospital, Ballarat.) P.D., £15. F.D., 2 per cent.

Ballarat.—Extension to scullery to Ward F.11, Mental Hospital. (W.O., Ballarat; Mental Hospital, Ballarat.) P.D., £5. F.D., 2 per cent.

Benalla.—New fittings, repairs, &c., to residence (2 Egmont-street), P.S. (W.O., Benalla; P.S., Benalla.) P.D., £4. F.D., 2 per cent.

Benalla East.—Repairs, renovations, and new out-offices, S.S., No. 2256. (W.O., Benalla; P.S., Euroa; S.S., Benalla East.) P.D., £15. F.D., 2 per cent.

Bendigo.—Renovations, Law Courts. (W.O., Bendigo.) P.D., £4. F.D., 2 per cent.

Bendoc.—Additions, repairs, and painting, S.S., No. 1166. (W.O., Bairnsdale; S.S., Bendoc.) P.D., £10. F.D., 2 per cent.

Birchip.—Supply and installation of a kerosene hot-water service, residence (Campbell-street), S.S., No. 2602. (P.S., Charlton.) P.D., £2. F.D., 2 per cent.

Briar Hill.—New store and staff room, S.S., No. 4341. (S.S., Briar Hill.) P.D., £4. F.D., 2 per cent.

Carrum Downs.—Repairs and painting, S.S., No. 3613. (S.S., Carrum Downs.) P.D., £5. F.D., 2 per cent.

Cavendish.—Supply, installation, and testing of a kerosene hot-water service, teacher's residence, S.S., No. 116. (W.O., Hamilton.) P.D., £3. F.D., 2 per cent.

Charlton.—Kerosene hot-water service, teacher's residence, S.S., No. 1480. (P.S., Charlton.) P.D., £2. F.D., 2 per cent.

Cohuna.—Supply, installation, and testing of four (4) kerosene hot-water services in four teachers' residences, S.S. No. 2502. (W.O., Swan Hill; P.S., Echuca; Consolidated School, Cohuna.) P.D., £10. F.D., 2 per cent.

Daylesford.—External and internal repairs and painting, Court House. (W.O., Kyneton; P.S., Daylesford.) P.D., £5. F.D., 2 per cent.

Dooen.—Erection of Demonstration Theatre at Butchery, Longerenong Agricultural College. (W.O., Ballarat, Horsham; P.S., Muntoa; Longerenong Agricultural College, Dooen.) P.D., £20. F.D., 2 per cent.

Drouin.—Supply, delivery, installation, and testing of ventilating system, S.S., No. 1924. P.D., £15. F.D., 2 per cent.

Drouin.—Electrical installation in prefabricated classrooms, S.S. No. 1924. (P.S., Drouin.) P.D., £10. F.D., 2 per cent.

Dunolly.—Painting and repairs, &c., S.S., No. 1582. (W.O., Maryborough, Bendigo; S.S., Dunolly.) P.D., £10. F.D., 2 per cent.

Echuca.—Alterations and repairs, Patrol Residence, Country Roads Board. (W.O., Bendigo, Shepparton; P.S., Echuca.) P.D., £5. F.D., 2 per cent.

Edenhope.—Supply and installation of central heating system and hot-water service, Consolidated School. (W.O., Warrnambool.) P.D., £25. F.D., 2 per cent.

Euroa.—Provision of a store and equipment room, S.S., No. 1706. (W.O., Benalla; S.S., Euroa.) P.D., £3. F.D., 2 per cent.

Fairfield.—Re-tiling new floor, &c., to main kitchen, Infectious Diseases Hospital. P.D., £15. F.D., 2 per cent.

Frankston.—Provision of two new soakage shafts, S.S., No. 1464. (S.S., Frankston.) Deposit, £4.

Glenormiston North.—Internal and external painting, repairs, &c., S.S., No. 3207. (W.O., Camperdown; P.S., Terang; S.S., Glenormiston North.) Deposit, £4.

Gonn Crossing.—Supply, installation, and testing of a fuel hot-water service, teacher's residence, S.S. No. 4566. (W.O., Swan Hill; P.S., Echuca, Kerang.) P.D., £2. F.D., 2 per cent.

Hampton.—Removal of cleaner's residence and re-erection, &c., on adjoining site, S.S., No 3754. (S.S., Hampton.) P.D., £10. F.D., 2 per cent.

Highett.—Supply, delivery, installation, and testing of heating and ventilating system, S.S., No. 4677. P.D., £15. F.D., 2 per cent.

Katamatite.—Repairs and painting, residence, and new single unit to girls' out-offices, S.S., No 2069. (W.O., Benalla; S.S., Katamatite.) P.D., £5. F.D., 2 per cent.

Kerang.—Supply, installation, and testing of a kerosene hot-water service, teacher's residence, S.S. No. 1410. (W.O., Swan Hill; P.S., Echuca, Kerang.) P.D., £2. F.D., 2 per cent.

Kerang.—Supply, installation, and testing of a kerosene hot-water service, teacher's residence, H.S. (W.O., Swan Hill; P.S., Echuca, Kerang.) P.D., £2. F.D., 2 per cent.

Koondrook.—Supply, installation, and testing of a kerosene hot-water service, teacher's residence, S.S. No. 2265. (W.O., Swan Hill; P.S., Echuca, Kerang.) P.D., £2. F.D., 2 per cent.

Lavers Hill.—Erection of timber residence for teacher, S.S., No. 3569. (W.O., Camperdown; P.S., Colac; Consolidated School, Lavers Hill.) P.D., £15. F.D., 2 per cent.

Malmsbury.—Erection of residence, office and cell, excavations, paths, and fences, P.S. (W.O., Bendigo, Kyneton; P.S., Malmsbury.) Deposit, £20.

Malvern East (Chadstone Park).—Supply and installation of a central heating system, Infants' School, S.S. No. 4930. P.D., £15. F.D., 2 per cent.

Melbourne.—Erection of brick sanitary block, Dental Centre, "Hampton Lodge," 448 St. Kilda-road. P.D., £15. F.D., 2 per cent.

Mont Park.—Conversion of existing pantry and bedroom into bathroom and kitchen, Mental Hospital. P.D., £5. F.D., 2 per cent.

Mont Park.—Erection of bus shelter, toilets, and paths, Gresswell Sanatorium. P.D., £10. F.D., 2 per cent.

Mont Park.—Renovations and repairs to Medical Superintendent's Quarters, Mental Hospital. P.D., £10. F.D., 2 per cent.

Nyah West.—Supply, installation, and testing of a kerosene hot-water service, teacher's residence, S.S. No. 3922. (W.O., Swan Hill.) P.D., £2. F.D., 2 per cent.

Pakenham.—Erection of two (2) timber residences, Consolidated School. (W.O., Korumburra; Consolidated School, Pakenham.) P.D., £25. F.D., 2 per cent.

Piangles.—Supply, installation, and testing of a kerosene hot-water service, teacher's residence, S.S. No. 4164. (W.O., Swan Hill.) P.D., £2. F.D., 2 per cent.

Port Melbourne.—Supply and installation of kerosene hot-water service in each of twelve (12) prefabricated residences, Public Works Department Depot, Salmon-street. P.D., £15. F.D., 2 per cent.

Prahran.—Electrical installation, Girls' Technical School. P.D., £25. F.D., 2 per cent.

Queenscliff.—Supply and delivery of piles, Harbor. Deposit, £10.

Rochester.—Repairs and renovations, Court House. (W.O., Bendigo; P.S., Echuca, Elmore, Rochester.) P.D., £5. F.D., 2 per cent.

Rosanna.—Additional out-offices and sewerage installation, S.S., No. 4568. (S.S., Rosanna.) P.D., £10. F.D., 2 per cent.

Rosedale.—Repairs and painting, school and residence, S.S., No. 770. (W.O., Traralgon; S.S., Rosedale.) P.D., £15. F.D., 2 per cent.

St. Arnaud.—Repairs and painting, Office, Department of Lands. (W.O., Maryborough; P.S., St. Arnaud.) P.D., £5. F.D., 2 per cent.

Seymour.—Addition of a staff room, S.S., No. 547. (W.O., Alexandra; P.S., Euroa; S.S., Seymour.) P.D., £5. F.D., 2 per cent.

Speewa.—Supply, installation, and testing of a kerosene hot-water service in teacher's residence, S.S. No. 4200. (W.O., Swan Hill.) P.D., £2. F.D., 2 per cent.

Sunbury.—Repairs and painting to school and out-buildings, S.S., No. 1002. (S.S., Sunbury.) P.D., £10. F.D., 2 per cent.

Wonthaggi.—Erection of new out-offices and installation of septic tank, S.S., No. 3650. (W.O., Korumburra; S.S., Wonthaggi.) P.D., £15. F.D., 2 per cent.

Woolsthorpe.—Provision of partition and heaters, S.S., No. 688. (W.O., Warrnambool; P.S., Koroit, Port Fairy; S.S., Woolsthorpe.) Deposit, £3.

Wycheproof.—Kerosene hot-water service, residence (Broadway) S.S., No. 1757. (P.S., Charlton.) P.D., £2. F.D., 2 per cent.

31st July, 1951.

Mont Park.—Coal-handling plant, Mental Hospital. P.D., £20. F.D., 2 per cent.

Preston.—Erection of reinforced concrete structure, Melbourne Textile Trades School. P.D., £100. F.D., 2 per cent. (Quantities available.)

Tenders to be addressed to the Honorable the Commissioner of Public Works, and envelope containing tender marked "Tender for _____ due"

P. T. BYRNES,
Commissioner of Public Works.

Melbourne, 3rd July, 1951.

PRIVATE ADVERTISEMENTS.

NOTICE is hereby given that Standard Motor Company (Australia) Ltd. has applied for a lease, under section 125 of the *Land Act* 1928, for a term of 45 years, from 1st September, 1951, of allotments 9 and 10, section 55F, City of Port Melbourne, as a site for motor vehicle assembling and manufacture.

HERBERT TURNER & SON, solicitors, 411 Collins-street, Melbourne. 7263

NOTICE OF INTENTION TO APPLY FOR A LICENCE TO DIVERT WATER AND CUT RACES FROM THE MURRAY RIVER (BACKWATER OF YARRAWONGA WEIR), AT BUNDALONG.

I HEREBY give notice that I intend to apply for a licence empowering me to divert water for a term of fifteen years to the extent of 144 acre-feet per annum at a maximum rate of 8 acre-feet per day of 24 hours for irrigation of 72 acres, being allotments 16, 17, 18, and 22 to 30, and part of allotments 19, 15, 20, and 21, section A, Township and Parish of Bundalong, and to occupy certain Crown lands for works of storage and diversion, and to cut a race thereon.

Any objection to such application must be forwarded, in writing, to the State Rivers and Water Supply Commission, Melbourne, within 30 days of the date hereof.

J. THOMAS SULLIVAN.

P.O. Box 33, Yarrawonga, 4th July, 1951. 7472.

NOTICE OF INTENTION TO APPLY FOR A LICENCE TO DIVERT WATER AND CUT RACES FROM THE MURRAY RIVER, AT MILDURA.

WE hereby give notice that we intend to apply for a licence empowering us to divert water for a term of fifteen years to the extent of 654 acre-feet per annum at a maximum rate of 8 acre-feet per day of 24 hours for irrigation of 218 acres, being part of allotments 1, 16, and 17, section 10, block D, and the land known as Mildura Pre-emptive Right, Parish of Mildura, and to occupy certain Crown lands for works of storage and diversion, and to cut a race thereon.

Any objection to such application must be forwarded, in writing, to the State Rivers and Water Supply Commission, Melbourne, within 30 days of the date hereof.

STEPHEN ROBERT MANSELL.
ARTHUR ROBERT MANSELL.
VICTOR MANSELL.

Cureton-avenue, Mildura, 30th March, 1951. 7450

NOTICE OF INTENTION TO APPLY FOR A LICENCE TO DIVERT WATER AND CUT RACES FROM THE MURRAY RIVER, AT PIANGIL.

I HEREBY give notice that I intend to apply for a licence empowering me to divert water for a term of fifteen years to the extent of 2 acre-feet per acre per annum at a maximum rate of 12 acre-feet per day of 24 hours for irrigation of 150 acres, being part of allotment 134, Parish of Piangles, and to occupy certain Crown lands for works of storage and diversion, and to cut a race thereon.

Any objection to such application must be forwarded, in writing, to the State Rivers and Water Supply Commission, Melbourne, within 30 days of the date hereof.

PETER GLEN BEST.

Care of Davies and Hayes, of Campbell-street, Swan Hill, solicitors, the 4th day of July, 1951. 7463

CITY OF MELBOURNE.

BY-LAW No. 309.

A By-law of the City of Melbourne made under the Health Acts, and numbered 309, to amend or add to By-law No. 283.

IN pursuance of the powers conferred by the Health Acts and every other Act or power enabling it in that

behalf the Council of the City of Melbourne makes the following By-law and orders as follows:—

1. This By-law shall as from and after the date of the same coming into operation be read and construed as one with By-law No. 283 intituled "A By-law of the City of Melbourne made under the Health Acts and numbered 283 for prescribing the fees and dues to be charged for examining and branding carcasses and meat pursuant to the said Acts" and any By-law amending the same.

2. Clause 2 of By-law No. 283 is hereby amended as follows:—

- (i) by substituting for the words "lamb or veal" in sub-clause (e) the words "or lamb,"
- (ii) by inserting after sub-clause (g) the following new sub-clause:—

"(h) For every carcass of veal .. 0 6."

Resolution for passing this By-law agreed to by the Council of the City of Melbourne the 9th day of April, 1951, and confirmed the 7th day of May, 1951.

(SEAL) JAMES S. DISNEY, Lord Mayor.
H. S. WOOTTON, Town Clerk.

Submitted to the Commission of Public Health on the 29th day of May, 1951.—A. BURKE, Acting Secretary.

Approved by the Governor in Council the 19th day of June, 1951.—A. MAHLSTEDT, Clerk of the Executive Council. 7476

CITY OF SOUTH MELBOURNE.

LOAN No. 22.

Notice of Intention to Borrow the Sum of £45,600 for Certain Permanent Works and Undertakings.

NOTICE is hereby given that the Council of the City of South Melbourne proposes to borrow, on the credit of the Mayor, Councillors, and Citizens of the City of South Melbourne, the sum of Forty-five thousand six hundred (£45,600), by the issue of debentures for such amount, in accordance with the provisions of the Local Government Act, under the following conditions:—

(1) The maximum rate of interest to be paid is £3 7s. 6d. per centum per annum.

(2) Such money shall be repayable by 40 half-yearly instalments of approximately £1,576 19s., each covering principal and interest, on the 1st day of January and the 1st day of July in each year, at the English, Scottish, and Australian Bank Limited, or at the Melbourne office of the Council's bankers for the time being.

(3) The permanent works and undertakings for which the loan is borrowed are—

Bridges—	
Construction of road surfaces, iron mouldings bearings, &c., of Queen's and Spencer-street Bridges	£2,640
Depots—	
Workshops and staff amenities at Depots at White-street and Coventry-street, South Melbourne	3,650
Drainage—	
Underground and surface drainage, Beaconsfield-parade	1,550
Market—	
Construction of closed sheds ("B" and "C") at South Melbourne Municipal Market	3,200
Plant and Machinery—	
For road-making, street cleansing, &c.	12,760
Streets (footpath) construction	8,500
Sewerage—	
Public conveniences—	
St. Vincent Gardens	£1,500
Montague Reserve	500
	2,000
Municipal Offices, &c.—	
Construction and provision of municipal offices, library, and charitable services at the Town Hall, 222-228 Bank-street, South Melbourne, and Dundas-place, Albert Park	11,300
	£45,600

(4) The plans and specifications and estimates of cost of such works and undertakings, together with a full statement of proposed expenditure of the money to be borrowed, are open for inspection at the Town Hall, South Melbourne.

7449 H. ALEXANDER, Town Clerk.

CITY OF WILLIAMSTOWN.

NOTICE OF INTENTION TO ACQUIRE LAND COMPULSORILY.

WHEREAS by section 510 of the Local Government Act 1946 power is given to a Municipal Council to compulsorily take land within the municipal district for the purpose of executing any of the works and undertakings authorized by the said Act: And whereas, pursuant to the powers conferred on it by the said section 510, the Council of the City of Williamstown has passed a Resolution to compulsorily take for the purpose of providing a place of public resort and recreation, being a work and undertaking authorized by the said Act, all that piece of land containing 2 acres, or thereabouts, being Crown allotment 79, section 7, Parish of Cut-paw-paw, County of Bourke, commencing at a point formed by the intersection of the west side of Creek-street and the boundary of the reserve along the southern side of Stony Creek, and bearing from the said commencing point south along the west side of Creek-street for a distance of 1,151 links; thence along a line bearing west for a distance of 250 links, a line bearing north for a distance of 398 links, a line bearing east for a distance of 150 links, a line bearing north for a distance of 250 links, a line bearing west for a distance of 50 links, a line bearing north for a distance of 503 links, and a line bearing east for a distance of 150 links back to the commencing point, and being the land described in certificate of title entered in the register book, volume 1524, folio 304641: And whereas the said Resolution and a plan of the above-described land and specifications and plans showing the nature and extent of such work or undertaking, and the exact site and admeasurements thereof approved by the said Council, are deposited for inspection at the Town Hall, Ferguson-street, Williamstown.

Take notice that all persons affected by the proposed compulsory acquisition are required to set forth, in writing, addressed to the said Council or its Municipal Clerk, within 40 days from the 4th day of July, 1951, all objections that they may have to the said work or undertaking.

Dated the 29th day of June, 1951.

By order of the said Council of the City of Williamstown, 7456 J. E. MORLEY, Town Clerk.

SHIRE OF MORWELL.

BY-LAW No. 24.

A By-law of the Shire of Morwell, made under the provisions of the Police Offences Act 1928, and numbered 24, for the purpose of extending to the shire the provisions of Part 1 of the said Act.

IN pursuance of the powers conferred by the Police Offences Act 1928, the President, Councillors, and Ratepayers of the Shire of Morwell order as follows:—

That the provisions of the whole of Part 1 of the Police Offences Act 1928 shall extend to and be and continue in force throughout the municipal district of the Shire of Morwell.

Resolution for passing this By-law agreed to by the Council on the 9th day of August, 1950, and confirmed the 9th day of November, 1950.

The common seal of the President, Councillors, and Ratepayers of the Shire of Morwell was hereunto affixed this 16th day of May, 1951, in the presence of—

(SEAL) A. L. HARE, President.
V. HOURIGAN, Councillor.
7455 W. K. MATHISON, Shire Secretary.

SHIRE OF TAMBO.

NOTICE is hereby given that Francis Joseph Keen, whose address is Bruthen, has been appointed Poundkeeper of the pound for the Bruthen Riding of the above shire.

F. P. DWERRYHOUSE, Shire Secretary.
Shire Hall, Bruthen, 28th June, 1951. 7451

SHIRE OF WANNON.

LOAN No. 3.

Notice of Intention to Borrow the Sum of £2,500 for Permanent Works and Undertakings.

NOTICE is hereby given that the Council of the Shire of Wannon proposes to borrow the sum of Two thousand five hundred pounds (£2,500), on the credit of the municipal revenues of the President, Councillors, and Ratepayers of the said shire, such sum to be raised by the issue of debentures, in accordance with the provisions of the Local Government Acts.

1. The maximum rate of interest that may be paid is 3½ per cent. per annum.

2. The purpose for which the loan is to be applied is the purchase of machines for road-making purposes, viz.:—

Multi-wheeled pneumatic-tired roller ..	£995
Two Trailmaster graders ..	840
Emulsion sprayer ..	350
Road spreader ..	81
Water pump ..	234
	£2,500

3. The period of the loan shall be ten years.

4. The moneys borrowed shall be repayable by providing out of the municipal fund twenty half-yearly instalments of approximately £149 4s. 6d., each including principal and interest, on the 1st day of April and the 1st day of October during the currency of the loan. The first instalment shall be payable on the 1st day of April, 1952.

5. Such moneys shall be repayable at The National Bank of Australasia Limited, Melbourne, or at the Council's bankers for the time being in Melbourne.

The plans and specifications and the estimate of the cost of the proposed works, and a statement showing the proposed expenditure of the moneys to be borrowed, are open for inspection at the Shire Hall, Coleraine.

Dated 18th June, 1951.

7366

V. WHARTON, Shire Secretary.

(This advertisement is in lieu of that appearing on page 4370 of *Victoria Government Gazette*, No. 664, dated 27th June, 1951.)

SHIRE OF YARRAWONGA.

LOANS Nos. 12 AND 13.

Notice of Intention to Borrow the Sum of £11,000 for Permanent Works and Undertakings.

NOTICE is hereby given that the Council of the Shire of Yarrawonga proposes to borrow the sum of £11,000, on the credit of the municipal revenues of the President, Councillors, and Ratepayers of the said shire, such sum to be raised by the issue of debentures, in accordance with the provisions of the Local Government Acts.

1. The maximum rate of interest that may be paid is 3½ per cent. per annum.

2. The purposes for which the loans are to be applied are:—

- Loan No. 12. Extension to Municipal Offices—£7,000.
- Loan No. 13. Purchase of a machine for road-making purposes, viz., Diesel power grader—£4,000.

3. The periods of the loans shall be—

- Loan No. 12. £7,000—twenty years.
- Loan No. 13. £4,000—ten years.

4. The moneys borrowed shall be repayable by providing out of the municipal fund half-yearly instalments of approximately £244 16s. in respect of loan No. 12, and approximately £238 15s. in respect of loan No. 13, including principal and interest, on the 1st day of April and the 1st day of October during the currency of the loans. The first instalments shall be payable on the 1st day of April, 1952.

5. Such moneys shall be repayable at the Australia and New Zealand Bank Limited, Melbourne, or at the Council's bankers for the time being in Melbourne.

The plans and specifications and the estimate of the cost of the proposed works, and a statement showing the proposed expenditure of the moneys to be borrowed, are open for inspection at the Shire Hall, Yarrawonga.

Dated 27th June, 1951.

7452

J. T. SMITH, Shire Secretary.

NOTICE is hereby given that the partnership heretofore subsisting between the undersigned Stella Ruby Lomax, Robert Joseph Lomax, and Douglas Claude Lomax, carrying on business as blind makers at 77 Shelley-street, Elwood, and also at 195c Balaclava-road, Caulfield, under the name of "Lomax Blinds," has been dissolved by the retirement from the said firm of the said Stella Ruby Lomax. All debts due to and owing by the said late firm will be received and paid by the said Robert Joseph Lomax and Douglas Claude Lomax, who will continue to carry on the business at the same places and under the same names.

Dated this 25th day of June, 1951.

S. R. LOMAX.
R. J. LOMAX.
DOUGLAS LOMAX.

Witness to each of the above signatures—A. W. MCAULIFFE.

Abbott, Stillman, and Wilson, 422 Little Collins-street, Melbourne, solicitors for all parties. 7492

NOTICE is hereby given that the partnership heretofore subsisting between the undersigned Francis John Victor Wilcox, John Thomas Jutson, Wilfred Gillman Hall, and Vernon Francis Wilcox, practising together as solicitors, at 20 Queen-street, Melbourne, under the style or firm of "A. G. Hall and Wilcox," has been dissolved by mutual consent as from the 30th day of June, 1951, so far as concerns the said John Thomas Jutson, who retires from the said firm. All debts due to and owing by the said late firm will be received and paid respectively by the said Francis John Victor Wilcox, Wilfred Gillman Hall, and Vernon Francis Wilcox, who will continue to carry on the said practice in partnership under the same firm name at the same address.

Dated this 2nd day of July, 1951.

F. J. V. WILCOX.
JNO. T. JUTSON.
WILFRED G. HALL.
V. F. WILCOX.

7508

NOTICE is hereby given that the partnership heretofore subsisting between the undersigned Mary Isabella McGregor, widow; John Allister McGregor, farmer; and Colin Donald McGregor, farmer, all of Callawadda, carrying on business as farmers and graziers at Callawadda, under the name of "M. I. McGregor and Sons," has been dissolved by mutual consent as from the 9th day of May, 1951. All debts due to and owing by the said firm will be received and paid by John Allister McGregor, whose present address is Stawell.

Dated at Stawell the 30th day of May, 1951.

M. I. MCGREGOR.
J. A. MCGREGOR.
COLIN D. MCGREGOR.

Witness—E. J. O'DRISCOLL, solicitor, Stawell. 7477

NOTICE is hereby given that the partnership heretofore subsisting between the undersigned John Alexander Clark, Reginald Arthur Clark, and Albert Edward James Fitzell, all of Stawell, laundry proprietors, carrying on business as laundry proprietors at Stawell, under the name of "Stawell Laundry," has been dissolved by mutual consent as from the 2nd day of April, 1951. All debts due to and owing by the late firm will be received and paid by Reginald Arthur Clark, who will continue to carry on the business at the same place.

Dated at Stawell the 26th day of April, 1951.

J. A. CLARK.
R. A. CLARKE.
A. E. J. FITZELL.

Witness—E. J. O'DRISCOLL, solicitor, Stawell. 7478

NOTICE OF DISSOLUTION OF PARTNERSHIP.

NOTICE is hereby given that the partnership heretofore subsisting between the undersigned Joseph Anthony Favaloro and Michael Joseph Franks, carrying on business as garage proprietors at High-street, Shepparton, under the name of Simpson Motors, has been dissolved by mutual consent as from the 28th day of February, 1951. All debts due to and owing by the said late firm will be received and paid by Joseph Anthony Favaloro, who will continue to carry on the business at the same place.

Dated at Shepparton this 19th day of June, 1951.

J. A. FAVALORO.

Witness—JOHN F. RIORDAN.

M. J. FRANKS.

Witness—P. F. DEANE. 7479

NOTICE is hereby given that the partnership heretofore existing between the undersigned Alice Elmira Davies, of 22 Stanley-street, West Footscray, and Mary Evans, of 1 Elphinstone-street, West Footscray, grocers and confectioners, carrying on business as grocers and confectioners at No. 1 Elphinstone-street, West Footscray, under the style or firm name of "Davies and Evans," has been dissolved by mutual consent as from the 30th day of June, 1951. All debts due to and owing by the said firm will be received and paid respectively by the said Mary Evans, who will continue to carry on the said business in her own name.

Dated this 28th day of June, 1951.

A. E. DAVIES.
M. EVANS.

Witness to the above signatures—JOHN F. CARROLL, solicitor, Footscray. 7483

NOTICE OF DISSOLUTION OF PARTNERSHIP.

NOTICE is hereby given that the partnership heretofore subsisting between the undersigned, Elvin Arnott Barr, of 17 Spencer-road, East Camberwell, in the State of Victoria, and Michael John Meehan, of 4 Hunter-street, Malvern, in the said State, carrying on business as ship's chandlers, providers, and hardware merchants, at 574 Flinders-street, Melbourne, in the said State, and 253 Glenhuntly-road, Elsternwick, in the said State, under the firm name of "J. M. Jackson and Co.," has been dissolved by mutual consent as from the 30th day of June, 1951. All debts due to and owing by the said firm will be received and paid by either partner.

Dated this 13th day of June, 1951.

M. J. MEEHAN.
E. A. BARR.

7516

NOTICE is hereby given that the partnership heretofore subsisting between Harry Douglas Gordon Melville and John Harward McConkey, carrying on practice as solicitors at 224 Glenferrie-road, Malvern, and at 409 Collins-street, Melbourne, under the style or firm name of Melville and McConkey, has been dissolved as from the 30th day of June, 1951. Harry Douglas Gordon Melville will continue to practise at 224 Glenferrie-road, Malvern, and John Harward McConkey will continue to practise at 409 Collins-street, Melbourne.

Dated the 2nd day of July, 1951.

H. D. G. MELVILLE.
J. H. MCCONKEY.

J. H. McConkey, 409 Collins-street. 7489

NOTICE OF DISSOLUTION OF PARTNERSHIP.

NOTICE is hereby given that the partnership heretofore subsisting between the undersigned, Elvin Arnott Barr, of 17 Spencer-road, East Camberwell, in the State of Victoria, and Michael John Meehan, of 4 Hunter-street, Malvern, in the said State, carrying on business as book-makers at 574 Flinders-street, Melbourne, in the said State, and 253 Glenhuntly-road, Elsternwick, in the said State, has been dissolved by mutual consent as from the 5th day of February, 1951. All debts due to and owing by the said firm will be received and paid by the said Elvin Arnott Barr at his address aforesaid.

Dated the 13th day of June, 1951.

M. J. MEEHAN.
E. A. BARR.

7517

WHOLESALE DISTRIBUTORS PTY. LTD.

NOTICE is hereby given that at an Extraordinary Meeting of the above company held at 360 Collins-street, Melbourne, on 25th June, 1951, the following Special Resolution was passed:—

"That the company be wound up voluntarily, and that Hector John Hansen, of 360 Collins-street, Melbourne, be appointed liquidator for the purposes of such winding up."

H. J. HANSEN, Secretary.

Melbourne, 26th June, 1951. 7509

Form No. 52.

PORT JACKSON CORPORATION PTY. LTD.

NOTICE CONVENING FINAL MEETING, PURSUANT TO SECTION 236.

NOTICE is hereby given, in pursuance of section 236 of the Companies Act 1938, that a General Meeting of the members of the above-named company will be held on the 7th day of August, 1951, at Twelve noon, at 328 Flinders-lane, Melbourne (Second Floor), for the purpose of having an account laid before them showing the manner in which the winding up has been conducted and the property of the company disposed of, and of hearing any explanation that may be given by the liquidator.

Dated this 28th day of June, 1951.

7498 S. J. TOBIN, Liquidator.

No. of company—21219. Form No. 40.

Companies Act 1938.

RICHARDSON BROS. PTY. LTD.

COPY RESOLUTION OR AGREEMENT, PURSUANT TO SECTION 118.

AT a General Meeting of the members of Richardson Bros. Pty. Ltd., duly convened and held at 6 Vautier-street, Elwood, on the 18th day of June, 1951, the following Special Resolution was duly passed:—

That Richardson Bros. Pty. Ltd. be wound up voluntarily, and that assets be distributed in specie.

Dated this 18th day of June, 1951.

7459 FRANCIS GEORGE RICHARDSON, Director.
ESTHER IRENE MAY RICHARDSON, Director.

Companies Act 1938.

F. W. CRANE PROPRIETARY LIMITED.

PURSUANT TO SECTION 226.

AT an Extraordinary General Meeting of F. W. Crane Proprietary Limited, duly convened and held at the office of Francis Arthur Hurst, at Union Bank Chambers, 351 Elizabeth-street, Melbourne, on the 29th day of June, 1951, the following Resolution was duly passed as a Special Resolution:—

"That the company be wound up voluntarily."

And at such last-mentioned meeting Francis Arthur Hurst, of Union Bank Chambers, 351 Elizabeth-street, Melbourne, was appointed liquidator for the purposes of the winding up.

Dated this 2nd day of July, 1951.

F. A. HURST, Secretary.
Weigall and Crowther, 459 Chancery-lane, Melbourne, solicitors. 7484

Companies Act 1938.

GANTAY PROPRIETARY LIMITED.

COPY OF SPECIAL RESOLUTION.

AT an Extraordinary General Meeting of the members of Gantay Proprietary Limited, duly convened and held at 21 Wallace-avenue, Toorak, on the 30th day of June, 1951, the following Resolution was duly passed as a Special Resolution:—

"That the company be wound up voluntarily and that Leonard M. Stanton, chartered accountant, of 340 Little Collins-street, Melbourne, be appointed as liquidator at a remuneration to be determined by the directors."

Dated this 30th day of June, 1951.

K. GEIGER, Chairman.
Kiddle, Briggs, and Wilcox, solicitors, 15 Queen-street, Melbourne. 7511

The Companies Act 1938.

BONVIEW INVESTMENTS PROPRIETARY LIMITED (IN LIQUIDATION).

NOTICE OF FINAL MEETING.

NOTICE is hereby given that, pursuant to section 236 of the above-named Act, a General Meeting of the members of the above-named company will be held at 120 William-street, Melbourne, on the 14th day of August, 1951, at 10 a.m., for the purpose of having an account laid before them showing the manner in which the winding up has been conducted and the property of the company disposed of and of hearing any explanation of the aforesaid account that may be given by the liquidator.

Dated this 2nd day of July, 1951.

7504 CLYDE C. LATCHFORD, Liquidator.

No. of Company: 23403.

Companies Act 1938.

FORTY FATHOMS FISHERIES PROPRIETARY LIMITED.

NOTICE CONVENING FINAL MEETING, PURSUANT TO SECTION 236.

NOTICE is hereby given that, pursuant to section 236 of the Companies Act 1938, that a General Meeting of the members of the above-named company will be held at 294 Queens-parade, Clifton Hill, on the 8th day of August, 1951, at Ten o'clock in the forenoon, for the purpose of having the account laid before them showing the manner in which the winding up has been conducted, and the property of the company disposed of, and of hearing any explanation that may be given by the liquidator.

Dated this 4th day of June, 1951.

7502 E. L. LYLE, Liquidator.

W. J. BREWER PROPRIETARY LIMITED (IN LIQUIDATION).

NOTICE is hereby given that at an Extraordinary Meeting of the above-named company, duly convened and held at 57 Queen-street, Melbourne, on the 29th day of June, 1951, in the afternoon, the following Special Resolution was duly passed:—

"That the company be wound up voluntarily, and that Leslie John Brewer, of 57 Queen-street, Melbourne, chartered accountant (Aust.), be appointed liquidator for the purpose of the winding up."

Dated this 29th day of June, 1951.

L. J. BREWER, Liquidator.
Harwood and Pincott, of 472 Bourke-street, Melbourne, and 51 Yarra-street, Geelong, solicitors for the company. 7486

THE WARRNAMBOOL WOOLLEN MILL COMPANY LIMITED.

REGISTER of Unclaimed Money held by the Warrnambool Woollen Mill Company Limited for Year Ended 31st December, 1950.

Name and Owner on Books and last known Address.	Total Amount due to Owner.	Description of Unclaimed Money.	Date of last Claim.
	£ s. d.		
Mr. Edward A. Thompson, Swinton's-lane, Warrnambool	2 6 3	Dividends for May 1945, December 1945, May 1946, December 1946, May 1947, December 1947, May 1948, December, 1948, May 1949, December 1949, May 1950, December 1950	No Claim
Mr. C. J. Kenny, Tresco, Victoria	2 6 3	Dividends for May 1945, December 1945, May 1946, December 1946, May 1947, December 1947, May 1948, December 1948, May 1949, December 1949, May 1950, December 1950	No Claim
Mr. George Barber, Spring Gardens, Warrnambool	2 13 7	Dividends for May 1947, December 1947, May 1948, December 1948, May 1949, December 1949, May 1950, December 1950	No Claim
Estate late Samuel Smith, c/o Miss Catherine Smith, Station-street, Koroit	3 0 0	Dividends for December 1947, May 1948, December 1948, May 1949, December 1949, May 1950, December 1950	No Claim

The Warrnambool Woollen Mill Company Limited,

7485.

R. A. NAYLOR, Secretary.

NOTICE TO CLAIMANTS.

CREDITORS, next of kin, and all persons having claims against the property or estate of Elizabeth Wallace White Mitchell, late of 270 Victoria-street, West Brunswick, in the State of Victoria, widow, deceased (who died on the 6th day of June, 1950, and probate of whose will and codicil thereto was granted to John Daniel Barron, of 20 Queen-street, Melbourne, in the said State, solicitor), are requested to send particulars of such claims to the said John Daniel Barron, at 20 Queen-street, Melbourne aforesaid, on or before the 6th day of September, 1951, after which date he will convey or distribute such property or estate to or among the persons entitled thereto, having regard only to the claims of which he shall then have had notice.

JOHN D. BARRON, solicitor, of 20 Queen-street, Melbourne. 7503

PURSUANT to the *Trustee Act* 1928, notice is hereby given that all persons having claims against the estate of Amy Eliza Adelaide Smith, late of 113 Walpole-street, Kew, in the State of Victoria, widow, deceased (who died on or about the 14th day of April, 1951, and probate of whose will was granted by the Supreme Court of the said State, in its probate jurisdiction, on the 26th day of June, 1951, to The Union Trustee Company of Australia Limited, of 333 Collins-street, Melbourne, in the said State), are hereby required to send particulars, in writing, of such claims to the said The Union Trustee Company of Australia Limited, at its address above appearing, on or before the 10th day of September, 1951, after which date the said company will proceed to distribute the assets of the said Amy Eliza Adelaide Smith, deceased, which shall have come into its hands amongst the persons entitled thereto, having regard only to the claims of which it shall then have had notice. And notice is hereby further given that the said company will not be liable for the assets so distributed, or any part thereof, to any person of whose claim it shall not have had notice as aforesaid.

Dated this 28th day of June, 1951.

GORDON GUMMOW, 422 Collins-street, Melbourne, solicitor for the said company. 7506

TRILBY ANNIE ELIZABETH PETTS, late of 94 Charles-street, Seddon, in the State of Victoria, married woman. DECEASED (who died on the 7th day of March, 1951).

CREDITORS, next of kin, and all other persons having claims against the estate of the above-named deceased are required by the executors, Robert Stanley Petts, public servant, and Sylvia Mary Petts, home duties, both of 94 Charles-street, Seddon aforesaid, to send particulars thereof to them, care of the undersigned, on or before the 7th September, 1951, after which date they will distribute the assets of the said deceased, having regard only to the claims of which they then have had notice as aforesaid.

W. H. JONES & KENNEDY, solicitors, 213 Nicholson-street, Footscray. 7510

RE CHRISTINA GALWAY McDOUGALL, DECEASED.

PURSUANT to the *Trustee Act* 1928, notice is hereby given that all creditors, claimants, and other persons having claims upon or against the estate of Christina Galway McDougall, late of 53 Mangalore-street, Ascot Vale, in Victoria, married woman, deceased (who died on the 2nd day of March, 1951, and probate of whose will was granted by the Supreme Court of Victoria, on the 23rd day of April, 1951, to John Stewart McDougall, then of 77 Maribyrnong-road, Ascot Vale, but now of 53 Mangalore-street, Ascot Vale, purchasing officer, and Leonard Clyde Hannan, of 22 Lawson-street, Essendon, accountant), are hereby required to send particulars, in writing, of such claims to the executors, care of their solicitors, Messieurs Kiddle, Briggs, and Willox, of 15 Queen-street, Melbourne, on or before the 5th day of September, 1951, after which date the executors will proceed to convey or distribute the assets in the said estate, or any part thereof, to or among the persons entitled thereto, having regard only to the claims, whether formal or not, of which they shall then have had notice. And notice is further given that the executors will not be liable to any creditor or other person of whose claim they shall not have had notice as aforesaid.

Dated this 26th day of June, 1951.

KIDDLE, BRIGGS, & WILLOX, 15 Queen-street, Melbourne, solicitors for the executors. 7512

CREDITORS, next of kin, and others having claims in respect of the estate of Alexander Moore Bayne, formerly of 247 Dandenong-road, East St. Kilda, but late of Deep Creek-road, Mitcham, aviator, deceased (who died on the 30th day of March, 1951), are to send particulars of their claims to the executors of the will, Merle Mary Bayne, of Deep Creek-road, Mitcham aforesaid, widow, and Hugh Percival Hall, of 339 Collins-street, Melbourne, solicitor, care of the undersigned, by the 7th day of September, 1951, after which date the said executors will distribute the assets, having regard only to the claims of which they then have notice.

MEARES, DUGAN, & HALL, solicitors, 339 Collins-street, Melbourne. 7493

ALL persons having claims against the estate of Annie Fraser, late of Bo Peep, Burrumbeet, spinster, deceased (probate of whose will was granted on the 25th day of June, 1951, to The Fidelity Trustee Company Limited, of 101 Lydiard-street north, Ballarat, the executor appointed by the said will), are hereby required to send particulars thereof, in writing, to the said company, on or before the 6th day of September, 1951, after which date the said company will proceed to distribute the assets of the said deceased, having regard only to the claims of which it shall then have had notice, and the said company will not be liable for the assets so distributed, or any part thereof, to any person of whose claim it shall not then have had notice.

CLARKE & DOBSON, of 52 Lydiard-street, Ballarat, solicitors for the said company. 7475

ELIZABETH McDONALD, late of 18 Albert-street, Caulfield, widow, DECEASED (who died on 8th March, 1951).

CREDITORS, next of kin, and all other persons having claims against the estate of the said deceased are required by the executor, The Trustees, Executors, and Agency Company Limited, of 401 Collins-street, Melbourne, to send particulars of their claims to the said executor, on or before the 31st day of August, 1951, after which date the said executor will distribute the assets of the said deceased, having regard only to the claims of which it will then have notice.

J. COLIN STEDMAN, solicitor, 339 Collins-street, Melbourne. 7501

GEORGINA SWAN CAMPBELL, formerly of 11 High-street, Mont Albert, but late of Kenilworth Hospital, Kenilworth-parade, Ivanhoe, both in the State of Victoria, widow, DECEASED (who died on the 4th day of April, 1951).

CREDITORS, next of kin, and other persons having claims against the estate of the deceased are required by Percival Albert Young, of 11 High-street, Mont Albert, in the said State, share broker, the executor of the will of the deceased, to send particulars, in writing, to the said executor, at his said address, on or before the 6th day of September, 1951, after which date the said executor will distribute the assets, having regard only to the claims of which he then has had notice. 7467

PURSUANT to the provisions of the *Trustee Act 1928*, creditors, next of kin, and all other persons having claims in respect of the estate of Mary Jane Ruth Pretoria McLean, late of Tullamarine, widow (who died on the 27th March, 1951), are required to send particulars of their claims to The Fidelity Trustee Company Limited (formerly The Ballarat Trustees, Executors, and Agency Company Limited), of 50 Market-street, Melbourne, by the 12th September, 1951, after which date the company will distribute the assets, having regard only to the claims of which it shall then have had notice.

MADDOCK, LONIE, & CHISHOLM, of 339 Collins-street, Melbourne, solicitors. 7491

PURSUANT to the provisions of the *Trustee Act 1928*, creditors, next of kin, and all other persons having claims in respect of the estate of John Frederick Hogan, late of Glen Orme-avenue, Ormond, railway employee (who died on the 26th April, 1951), are required to send particulars of their claims to The Trustees, Executors, and Agency Company Limited, of 401 Collins-street, Melbourne, by the 12th September, 1951, after which date the company will distribute the assets, having regard only to the claims of which it shall then have had notice.

MADDOCK, LONIE, & CHISHOLM, of 339 Collins-street, Melbourne, solicitors. 7490

ROLAND WATSON WARRELL, late of 102 Dandenong-road, Caulfield North, importer, DECEASED.

CREDITORS, next of kin, and all others having claims against the estate of the above-named deceased (who died on the 18th day of December, 1950, and probate of whose will was granted to The Union Trustee Company of Australia Limited, whose registered office is at 333 Collins-street, Melbourne, having been duly authorized by Leyden Raeburn Warrell, the executrix named in the said will, and Lindsay Robert Turner, of 94-98 Queen-street, Melbourne, solicitor, the executor named in the said will), are required to send particulars of such claims to the said company, at its registered office aforesaid, by the 12th day of September, 1951, after which date the executors will distribute the assets, having regard only to the claims of which they then have notice.

SHAW & TURNER, 94-98 Queen-street, Melbourne, solicitors. 7500

CREDITORS, next of kin, and others having claims against the estate of Mary Ann Stokes, late of 8 Spencer-street, Essendon, widow, deceased (who died on the 6th day of December, 1950), and probate of whose will was on the 16th day of May, 1951, granted by the Supreme Court of Victoria, to Michael Niall, of 360 Collins-street, Melbourne, solicitor, are required to send particulars in writing of such claims to the said Michael Niall, in care of the undermentioned solicitors on or before the 7th day of September, 1951, after which date he will distribute the assets of the said deceased, amongst the persons entitled thereto, having regard only to the claims of which he shall then have had notice.

MICHAEL NIALL & CO. solicitors, 360 Collins-street, Melbourne. 7462

Trustee Act 1928.

NOTICE TO CLAIMANTS.

PURSUANT to the *Trustee Act 1928*, creditors, next of kin, and all other persons having claims in respect of the estate of any deceased person named below are required to send particulars thereof to the legal personal representative or representatives, at the address stated below, on or before the date stated, after which date the representative or representatives will distribute the assets, having regard only to the claims of which notice has been received:—

John William Jackman, late of Yallock, Victoria, retired farmer, who died on the 3rd day of January, 1951.—Claims to the executors, Frances Jackman, of Yallock, widow, and William Robert Morris Jackman, of Heywood, schoolmaster, in care of the undersigned solicitors, not later than the 10th day of September, 1951. Tatchell, Dunlop, Smalley, and Balmer, solicitors, 290 Williamson-street, Bendigo. 7473

Jane Barry, late of Salisbury West, Victoria, widow, who died on the 14th day of March, 1951.—Claims to the administrator, the Farmers and Citizens Trustees Company Bendigo Limited, of Charing Cross, Bendigo, in care of the undersigned solicitors, by the 10th day of September, 1951. Tatchell, Dunlop, Smalley, and Balmer, solicitors, 290 Williamson-street, Bendigo. 7474

Emmanuel Aquilina, late of 15 Farmer-street, Richmond, in the State of Victoria, blacksmith, deceased (who died on the 15th day of July, 1950).—Claims to the administrator, National Trustees, Executors, and Agency Co. of Australasia Limited, whose registered office is at 95 Queen-street, Melbourne, on or before 6th September, 1951. F. J. Corder, solicitor, 108 Queen-street, Melbourne. 7468

CREDITORS, next of kin, and others having claims against the estate of Beatrice Cobbold, late of 7 Fulham-avenue, South Yarra, in the State of Victoria, widow, deceased (who died on the 30th April, 1951), are to send particulars of their claims to The Union Trustee Company of Australia Limited, the registered office of which is situate at 333 Collins-street, Melbourne, in the said State, by the 5th day of September, 1951, after which date it will distribute the assets, having regard only to the claims of which it then has notice.

MADDEN, BUTLER, ELDER, & GRAHAM, 406 Collins-street, Melbourne. 7514

SARA MARIE BYRNE, formerly of 127 Spring-street, Melbourne, but late of 26 Glenferrie-road, Kew, gentlewoman, DECEASED.

CREDITORS, next of kin, and others having claims in respect of the estate of the above-named deceased (who died on the 10th day of March, 1950), are required to send the particulars of their claims to the executrix, Monica Marie Byrne, care of the under-named solicitors, by the 10th day of September, 1951, after which date she will distribute the assets, having regard only to the claims of which she then has notice.

DESMOND FITZGERALD CAREY & MORAN, of 396 Little Flinders-street, Melbourne, solicitors. 7466

CREDITORS, next of kin, and others having claims in respect of the estate of Howard Harry Hosier, late of Ward 9A, Heidelberg Hospital, Heidelberg, in the State of Victoria, returned soldier, deceased (who died on the 12th day of March, 1951), are to send particulars of their claims to The Equity Trustees, Executors, and Agency Company Limited, of 472 Bourke-street, Melbourne, before the 7th day of September, 1951, after which date it will distribute the assets, having regard only to the claims of which it then has notice.

EGGLESTON, LEE, & CLIFTON-JONES, of 143 Queen-street, Melbourne, solicitors. 7458

CREDITORS, next of kin, and others having claims in respect of the estate of Elsie Annie Harcourt, late of "San Joce," corner of Wattle-tree-road and Burke-road, East Malvern, gentlewoman, deceased (who died on 24th April, 1951), are to send written particulars of their claims to the executors, care of the undersigned solicitors, at the address hereunder mentioned, by the 5th September, 1951, after which date the said executors will distribute the assets, having regard only to the claims of which they then have notice.

PROUDFOOT & HORTON, solicitors, 87 Queen-street, Melbourne. 7464

CREDITORS, next of kin, and others having claims against the estate of Lily Anne Landles Agnew, late of 31 Barry-street, Kew, in the State of Victoria, spinster, deceased (who died on the 30th day of March, 1951), are to send particulars of their claims to The Equity Trustees, Executors, and Agency Company Limited, the registered office of which is situate at 472 Bourke-street, Melbourne, in the said State, by the 4th day of September, 1951, after which date it will distribute the assets, having regard only to the claims of which it then has notice.

MADDEN, BUTLER, ELDER, & GRAHAM, 406 Collins-street, Melbourne. 7515

CREDITORS, next of kin, and others having claims in respect of the estate of Walter Hetherington, formerly of Broomfield, butcher, but late of Wonthaggi, retired drill man (who died on the 17th March, 1951), are to send particulars of their claims to The Fidelity Trustee Company Limited, at its Melbourne office, 50 Market-street, by the 11th September, 1951, after which date it will distribute the assets, having regard only to the claims to which it then has notice. 7507

CREDITORS, next of kin, and others having claims in respect of the estate of James Barr, formerly of 418 Little Collins-street, Melbourne, but late of 9 Lorne-grove, Camberwell, public accountant, deceased (who died on the 6th day of November, 1950), are to send particulars of their claims to the Union Trustee Company of Australia Limited, of 333 Collins-street, Melbourne, by the 7th day of September, 1951, after which date it will distribute the assets, having regard only to the claims of which it then has notice.

GODFREY & GODFREY, solicitors, 325 Collins-street, Melbourne. 7460

CREDITORS, next of kin, and others having claims in respect of the estate of Jessie Dalton, formerly of Ross-street, South Melbourne, late of Mental Hospital, Sunbury, widow, deceased (who died on the 28th day of November, 1950), are to send particulars of their claims to The Equity Trustees Executors and Agency Company Limited, by the 15th day of September, 1951, after which date it will distribute the assets, having regard only to the claims of which it then has notice.

DAVID THOMAS, of 140 Queen-street, Melbourne, solicitor for the executor. 7461

JOHN OLIVER COCHRANE, late of Leongatha, council employee, DECEASED, intestate.

CREDITORS, next of kin, and others having claims in respect of the estate of the above-named deceased (who died on the 27th March, 1951), are required to send the particulars of their claims, to the administratrix, May Cochrane, care of the under-named solicitors, by the 7th September, 1951, after which date she will distribute the assets, having regard only to the claims of which she then has notice.

SHEGOG & BIRCH, of 1 McCartin-street, Leongatha, solicitors. 7482

NOTICE TO CLAIMANTS.

CREDITORS, next of kin, and others having claims in respect of the estate of Georgina Kingswell Clifton, late of Remeura, Auckland, in the Dominion of New Zealand, widow, deceased (who died on the 12th day of October, 1950), are to send the particulars of their claims to The Trustees Executors and Agency Company Limited, of 401 Collins-street, Melbourne, by the 5th day of September, 1951, after which date it will distribute the assets, having regard only to the claims of which it then has notice.

AITKEN, WALKER, & STRACHAN, 123 William-street, Melbourne, solicitors for the said company. 7488

GUSTAV ALFRED BRETAG, (formerly Gustav Adolph Bretag), late of Dimboola, in the State of Victoria, farmer, DECEASED (who died on the 26th day of April, 1951).

CREDITORS, next of kin, and all others having claims against the estate of the above-named deceased, are required by the executors, George William Bretag, and Frederick Gustav Bretag, both of Dimboola, farmers, to send particulars thereof to them, care of the under-mentioned solicitor, on or before the 2nd day of September, 1951, after which date they will distribute the assets, of the said deceased, having regard only to the claims of which they shall then have had notice.

W. N. MUNTZ, solicitor, Dimboola. 7487

No. 668.—6296/51.—4

MICHAEL McDONNELL, late of Numurkah, retired carter, (in the will referred to as carter), DECEASED.

CREDITORS, next of kin, and all other persons having claims against the estate of the said deceased are required by the executor of the will, Cecil Ronald Kinnaird, of 154 Hawthorn-road, East Brighton, butcher, to send particulars to him, in care of the undersigned, on or before the 15th day of September, 1951, after which date he will distribute the assets, having regard only to the claims of which he then has notice.

S. W. E. STIFE, LL.B., solicitor, Numurkah. 7480

LESLIE JOHN BALDWIN, late of Mount Eccles, via Leongatha, motor transport driver, DECEASED, intestate.

CREDITORS, next of kin, and others having claims in respect of the estate of the above-named deceased (who died on the 5th January, 1951), are required to send the particulars of their claims, to the administratrix, Jean Baldwin, care of the under-named solicitors, by the 7th September, 1951, after which date she will distribute the assets, having regard only to the claims of which she then has notice.

SHEGOG & BIRCH, of 1 McCartin-street, Leongatha, solicitors. 7481

CREDITORS, next of kin, and others having claims in respect of the estate of Hugh Claude Pennefather, late of "Ardsley," Berwick, in the State of Victoria, grazier, deceased (who died on the 18th day of February, 1951), are to send the particulars of their claims to The Union Trustee Company of Australia Limited, whose registered office is situate at 333 Collins-street, Melbourne, in the said State, by the 7th day of September, 1951, after which date it will distribute the assets, having regard only to the claims of which it then has notice.

HEDDERWICK, FOOKES, & ALSTON, 103 William-street, Melbourne, solicitors for the said company. 7494

CREDITORS, next of kin, and others having claims in respect of the estate of Katie Terese Ansalde, (also known as Kate Terese Ansalde and Kathleen Teresa Ansalde), late of Taroon, via Terang, in the State of Victoria, spinster, deceased (who died on the 11th day of September, 1950), are required to send particulars of their claims to the executor, Ernest Nelson, of 38 Fairmont-avenue, Camberwell, on or before the 8th day of September, 1951, after which date the said executor will distribute the assets, having regard only to the claims of which he then has notice.

CLEARY, ROSS, & DOHERTY, solicitors, 40 Queen-street, Melbourne. 7495

In the Supreme Court of the State of Victoria.—*Fi. Fa.*

NOTICE is hereby given that, under and by virtue of certain process issued out of the Supreme Court of the State of Victoria and directed to the Sheriff, requiring him to levy certain moneys of the real and personal estate of Rene Petridis, of High-street, Eaglehawk, married woman, such sum and costs to be payable out of her separate property as hereinafter mentioned and not otherwise, and it is ordered that execution be limited to her separate property not subject to any restriction against anticipation unless by reason of section 22 of the *Married Women's Property Act 1928* the property shall be liable to execution notwithstanding such restriction, the said Sheriff will, on Wednesday, the 8th day of August, 1951, at the hour of half-past Two o'clock in the afternoon, cause to be sold at the Court House, at Eaglehawk (unless the said process shall have been previously satisfied or the said Sheriff be otherwise stayed):—

All the right, title, estate, and interest (if any) of the said Rene Petridis as aforesaid, in and to all that piece or parcel of land in the Parish of Sandhurst, in the State of Victoria, being part of allotment 19, section 3, Town of Eaglehawk, commencing at the eastern corner of the said allotment and bounded as follows, that is to say:—On the north-east by High-street by a line bearing north-westerly from said commencing point 52 feet, on the north-west by part of the same allotment on a line at right angles with the last line bearing south-westerly 90 feet to a right-of-way 10 feet wide, on the south-west by the said right-of-way bearing south-easterly 52 feet, and on the south-east by part of allotment 18 bearing north-east 90 feet to point of commencement, together with the use of the said right-of-way at all times in common with the owners and occupiers of the adjoining lands or tenements, and being the land described in conveyance, registered No. 238, book 597.

N.B.—Terms: Cash. No cheques taken.

Dated at Bendigo, this 29th day of June, 1951.

7457 F. R. WARREN, Sheriff's Officer.

MINING NOTICES.**ARGUS HILL CHEWTON GOLD NO LIABILITY.**

NOTICE is hereby given that a Call (No. 90) of Three pence per share, making shares paid up to 25s., has been made, and is due and payable to me, at the registered office, 422 Collins-street, Melbourne, on Wednesday, 11th July, 1951.

By order of the Board,

7505

FRANK COOPER, Manager.

BIG TABLELAND (COOKTOWN) TIN N. L.

NOTICE is hereby given that a Call (the 1st) of One shilling per share (making shares 1s. 6d. paid up), has been made upon shares numbered 100,401-220,000 in the company, due and payable at the registered office of the company, 430 Little Collins-street, Melbourne, on Wednesday, the 11th day of July, 1951.

By order of the Board,

7513

A. E. LLEWELLWN, Manager.

BLACK CAMERON GOLD MINE NO LIABILITY.**CALL NOTICE.**

NOTICE is hereby given that a Call (the second) of One shilling (1s.) per share on all the issued contributing shares in the capital of the company (making such shares fully paid up) has been made due and payable to the manager, at the registered office of the company, 100 Queen-street, Melbourne, on Wednesday, the 11th day of July, 1951.

By order of the Board,

7465

K. H. GOLDING, Manager.

KALGOORLIE SOUTHERN GOLD MINES NO LIABILITY.

NOTICE is hereby given that a Call (the 1st) of One shilling (1s.) per share on all the issued contributing shares in the capital of the company (making such shares paid to 2s. each), has been made due and payable to the manager at the registered office of the company, 360 Collins-street, Melbourne, on Wednesday, 11th July, 1951.

By order of the Board,

L. EDWARDS, Manager.

360 Collins-street, Melbourne, 3rd July, 1951. 7499

NORTHERN STAR GOLD MINES NO LIABILITY.

NOTICE is hereby given that a Call (the 36th) of Three pence per share upon the increased capital has been made upon all the shares in the company, due and payable to the manager, at the registered office, 140 Queen-street, Melbourne, on Wednesday, 11th July, 1951.

7518

F. L. SMYTH, Manager.

NORTH NELL GWYNNE GOLD MINES NO LIABILITY.

NOTICE is hereby given that a Call (the 104th) of Three pence per share has been made on all shares in the company, numbered 1 to 60,000 (making such shares paid up to 35s. each), due and payable at the registered office of the company, 46 Queen-street, Melbourne, on Wednesday, 11th July, 1951.

By order of the Board,

F. H. TADGELL, Manager.

Dickenson and Tadge, chartered accountants (Aust.), 46 Queen-street, Melbourne, C.1. 7497

NORTH NELL GWYNNE GOLD MINES NO LIABILITY.

ALL shares upon which the 103rd (June) Call of Three pence per share remains unpaid are forfeited and will be sold by public auction at the Stock Exchange, Melbourne, on Thursday, 12th July, 1951, at Twelve noon, unless previously redeemed.

By order of the Board,

F. H. TADGELL, Manager.

Dickenson and Tadge, chartered accountants (Aust.), 46 Queen-street, Melbourne, C.1. 7496

NORTHERN STAR GOLD MINES NO LIABILITY.

NOTICE is hereby given that all shares forfeited for non-payment of the 35th (June) Call of Three pence per share will be sold by public auction at the Stock Exchange Hall, 428 Little Collins-street, Melbourne, on Thursday, 12th July, 1951, at Twelve o'clock noon, unless the shares be previously redeemed.

F. L. SMYTH, Manager.

Registered office: 140 Queen-street, Melbourne. 7519

IMPOUNDINGS.

BENDIGO.—Impounded in Bendigo Pound, on 30th June, 1951.

1 black gelding, star on forehead, no visible brand
1 chestnut gelding, no visible brand, rope on neck
Impounded on 2nd July, 1951.

1 bay delivery gelding, blaze face, white spot on back, no visible brand.

If not claimed and expenses paid, to be sold on 12th July, 1951.

V. E. BOWER,

Poundkeeper.

7471—11/

BERWICK.—Impounded in Berwick Pound, by Ranger.

1 black Jersey milking cow, back out off-side ear, no visible brand

If not claimed and expenses paid, to be sold on 13th July, 1951.

P. E. ALLISON,

Poundkeeper.

7447—7/

DANDENONG.—Impounded at Dandenong, by E. Osborne, Shire Ranger, off Springvale-road, Springvale.

1 chestnut gelding, white down face, white near-side front sock, white off hind sock, unshod, no visible brand

If not claimed and expenses paid, to be sold on 20th July, 1951.

A. WALKER,

Poundkeeper.

7521—8/

HEIDELBERG.—Impounded in Heidelberg Pound.

1 bay pony mare, star, black points, unshod, no visible brand
1 iron-grey pony gelding, shod, no visible brand

If not claimed and expenses paid, to be sold on 18th July, 1951.

V. EDWARDS,

Acting Poundkeeper.

7522—7/

LANCEFIELD.—Impounded in Lancefield Pound, by Shire Ranger.

1 black pony gelding, aged, no visible brand

If not claimed and expenses paid, to be sold on 13th July, 1951.

M. CUSACK,

Poundkeeper.

7448—7/

MERINO.—Impounded in Merino Pound.

1 Jersey cow, small swallow each ear, like O off rump
1 yellow bull cub, no visible brand
1 dark-brown bull cub, no visible brand
1 brown bull cub, no visible brand
1 brown bull cub, no visible brand

If not claimed and expenses paid, to be sold on 11th July, 1951.

J. C. ROGERS,

Poundkeeper.

7446—10/

MULGRAVE.—Impounded at Mulgrave.

1 chestnut draught gelding, blaze face, white legs, no visible brand

1 dark chestnut mare, hack, white stripe on face, three white feet, no visible brand

1 bay gelding, thick set, white stripe on face, three white feet, no visible brand

If not claimed and expenses paid, to be sold on 19th July, 1951.

R. LAMBERTON,

Poundkeeper.

7470—11/

NUMURKAH.—Impounded in Numurkah Pound, on 20th June, 1951.

1 light Jersey cow, no visible brand

If not claimed and expenses paid, to be sold on 20th July, 1951.

J. K. KILLMISTER,

Poundkeeper.

7454—7/

PENSHURST.—Impounded in Penshurst Pound, by Dundas Shire Ranger.

1 red Shorthorn cross steer, two years old, top off back notch near ear, no visible brand

If not claimed and expenses paid, to be sold on 23rd July, 1951.

A. WALLER,

Poundkeeper.

7453—8/

TERANG.—Impounded in Terang Pound, off Castlecreay-road.

1 brown draught mare, streak down face, hind feet white, no visible brand

Impounded off Darlington-road.

1 Jersey cow, scallop back near ear, and front off ear, bob tail, no visible brand

If not claimed and expenses paid, to be sold on 23rd July, 1951.

DORIS M. KIDD,
Poundkeeper.

7469—11/

WARRAGUL.—Impounded in Warragul Pound, from Warragul-Korumburra road.

3 Jersey steers, branded O

If not claimed and expenses paid, to be sold on 26th July, 1951.

N. D. QUINT,
Poundkeeper.

7520—7/

STATE ACTS, 1950—continued.

No.	Price.
	s. d.
5511. Coal Mine Workers Pensions (Amendment)	0 6
5512. Municipalities and Other Authorities Finances	0 9
5513. Public Officers Salaries	0 6
5514. State Electricity Commission	0 6
5515. Public Works Loan and Application (No. 2)	0 9
5516. Ministers of the Crown and Parliamentary Salaries	0 6
5517. Fire Brigades (Long-Service Leave)	0 9
5518. Fisheries (Inland Angling)	0 6
5519. Mental Hygiene Authority	1 6
5520. Railway Loan and Application	1 3
5521. Education (Religious Instruction)	0 6
5522. Workers' Compensation (Amendment)	1 0
5523. Public Trustee	0 6
5524. McPherson's Limited Pension Fund	0 6
5525. Landlord and Tenant (Servicemen)	0 6
5526. Local Government (Shire of Braybrook)	0 6
5527. Appropriation of Revenue	4 6

J. J. GOURLEY,
Government Printer.

STATE ACTS, 1950.

COPIES of the following Acts of Parliament of Victoria may be obtained at the Government Printing Office, or from any bookseller, at the price set opposite to each:—

No.	Price.
	s. d.
5451. Consolidated Revenue	0 6
5452. Consolidated Revenue	0 6
5453. Superannuation	0 6
5454. Marine (Temporary Exemptions)	0 6
5455. Consolidated Revenue	0 6
5456. Melbourne Harbor Trust (Housing Advances)	0 6
5457. University (Veterinary Research)	0 6
5458. Pyalong Lands Exchange	0 9
5459. Goods (Textile Products)	0 9
5460. Police Regulation (Pensions)	0 6
5461. Melbourne (Bowen-street) Land	0 9
5462. Printers and Newspapers (Foreign Advertisements)	0 6
5463. Police Offences (Race-meetings)	0 6
5464. Non-Contributory State Pensions	0 6
5465. Legislative Council Reform	2 0
5466. State Electricity Commission (Contracts)	0 6
5467. Police Regulation (Pensions) Amendment	0 6
5468. Prices Regulation (Extension)	0 6
5469. Factories and Shops (Amendment)	0 6
5470. Nurses and Midwives	1 3
5471. Weights and Measures	1 6
5472. Supreme Court (Judges)	0 6
5473. Drainage Areas	1 3
5474. Consolidated Revenue	0 6
5475. Forests (Accounts and Funds)	0 6
5476. Coal Mining Industry (Long-Service Leave)	0 9
5477. Acts Interpretation (Amendment)	0 6
5478. Agricultural Colleges (Amendment)	0 6
5479. Building Operations and Building Materials, &c.	0 9
5480. Shrine of Remembrance Site	0 6
5481. Public Works Loan and Application	0 6
5482. Grain Elevators	0 6
5483. Teaching Service (Amendment)	0 9
5484. Imported Materials Loan and Application, &c.	0 6
5485. Water Supply Loan and Application	1 3
5486. Victorian Inland Meat Authority (Advances)	0 6
5487. Melbourne and Metropolitan Board of Works (Contracts)	0 6
5488. Melbourne and Metropolitan Board of Works (Borrowing Powers)	0 6
5489. Cattle Compensation	0 6
5490. Coal Mines Regulation (Accidents Relief)	0 6
5491. Public Contracts (Amendment)	0 6
5492. Water	0 9
5493. Administration and Probate Duties	0 6
5494. Country Roads Board	0 6
5495. Land Tax	0 6
5496. Motor Car (Drivers' Licences)	0 6
5497. Tallangatta Township (Removal)	0 9
5498. Medical	0 6
5499. State Forests Loan and Application	0 6
5500. Surplus Revenue (Unexpended Balances)	0 6
5501. Treasury Bonds	0 6
5502. Co-operative Housing Societies	1 0
5503. Police Offences (Idle and Disorderly Persons)	0 6
5504. Gelliondale Land (Mineral Lease)	0 6
5505. Local Government (Imported Houses)	0 6
5506. Police Offences (Animals)	0 6
5507. Gas and Fuel Corporation	2 6
5508. Jubilee and Centenary Sports	0 6
5509. Railways Dismantling	0 9
5510. Geelong (Kardinia Park) Land	0 6

THE "VICTORIA GOVERNMENT GAZETTE."

SUBSCRIPTIONS.—The subscription, including postage, is £1 15s. per annum, 17s. 6d. half-yearly, or 8s. 9d. per quarter, payable in advance.

Subscriptions are required to commence and terminate with a month.

A lesser period than three months cannot be subscribed for.

Subscribers do not receive the Acts of Parliament with the GAZETTE.

ADVERTISEMENTS are charged at the rate of ONE SHILLING per line single column, and TWO SHILLINGS per line double column.

The title (£5 Reward, Dissolution of Partnerships, &c.) forms one or more lines as a heading.

On an average, ten words make a line.

Every signature must likewise be counted as a line.

The final words of a paragraph, though only portion of a line, must be counted as one line.

SIGNATURES (in particular) and proper names must be written very plainly in the text; ONE SIDE ONLY of each slip of paper should be WRITTEN UPON.

ALL COMMUNICATIONS should be addressed to "The Government Printer, Melbourne."

ALL DOCUMENTS illegibly written will be returned unpublished, and, where brands occur unprovided for by the ordinary letters of the alphabet, a worded explanatory description must be furnished.

THE VICTORIA GOVERNMENT GAZETTE is published on WEDNESDAY EVENING in each week, and Notices for insertion will be received by the Government Printer at or before Two p.m. at ordinary rates, and late advertisements between Two p.m. and Five p.m. at double rates on the day preceding the day of publication.

Single copies of the VICTORIA GOVERNMENT GAZETTE are Six pence, posted Eight pence, each.

No GAZETTES prior to January, 1939, in stock.

***ALL PAYMENTS ARE REQUIRED IN ADVANCE.—Remittances should be made by postal note, money order, or draft in favour of the Government Printer. Advertisements unaccompanied by a remittance sufficient to cover the cost of insertion will be returned unpublished.

AGENTS FOR THE "VICTORIA GOVERNMENT GAZETTE."

THE following have been appointed agents to receive Advertisements and Subscriptions for the Victoria Government Gazette:—

ARMSTRONG'S AGENCY, 143 Queen-street, Melbourne.

ARMSTRONG BROS., Kyneton.

MESSRS. ARNALL & JACKSON, 115 Barkly-street, West Brunswick.

MR. M. R. BADE, Tobacconist, Sturt-street, Ballarat.

MR. WM. DAVIS, Mildura.

A. J. DIGBY (B. S. and N. W. CASH), Main-street, Bairnsdale.

EDGAR'S NEWS AGENCY, Hargreaves-street, Bendigo.

EDGAR'S NEWS AGENCY, 53 Murphy-street, Wangaratta.

H. E. EVERY & SON, 42 Fryers-street, Shepparton.
 MESSRS. HENRY FRANKS & CO., Booksellers and Stationers, Market-square, Geelong.
 MESSRS. GORDON & GOTCH, News Agents, 511 Little Collins-street, Melbourne; and corner Barrack and Clarence streets, Sydney.
 W. GORDON HAMPTON, 243 Mitchell-street, Bendigo.
 MESSRS. HARSTON, PARTRIDGE, & CO., 455 Little Collins-street, Melbourne.
 MR. C. F. LATIMER, News Agent, Casterton.
 MR. F. T. McCORMICK, Nunn-street, Benalla.
 MESSRS. H. PAYNE & R. N. LOWE, 4 View Point, Bendigo.
 MESSRS. R. H. & W. M. PETTY, News Agent, Wangaratta.
 PIKE'S AUTHORIZED NEWS AGENCY, Sale.
 J. PURDIE & CO., 138 Moorabool-street, Geelong.
 MESSRS. A. S. RICHARDSON and T. C. GARDNER, trading as The Mercantile Exchange, 380 Collins-street, Melbourne.
 ROBERTSON & MULLEN LTD., Elizabeth-street, Melbourne.
 R. & A. SMALLMAN, News Agents, Toora.
 MESSRS. SMITH & DUNNON, Hamilton.
 TRAINOR & McBRIDE, 246 Wyndham-street, Shepparton.

A copy of the *Gazette* filed at each place for public reference.

PUBLICATION OF OFFICIAL MATTER.

ATTENTION is invited to the following procedure in relation to the publication of official matter in the *Government Gazette*:—

1. *Matter submitted to the Executive Council.*

Matter submitted to the Executive Council which requires gazettal will normally be published in the issue of the following week.

Where urgent gazettal is required, special arrangements should be made with the *Gazette* Officer.

Publication will be facilitated by the submission of carbon copies for the use of the *Gazette* Officer.

2. *Other matter.*

(a) All other matter duly certified by a responsible officer for publication should be lodged with the *Gazette* Officer not later than half-past Ten a.m. on Tuesday.

(b) Lengthy or involved notices should be forwarded several days before publication.

(c) Proofs, which will be supplied only when specifically requested or at the direction of the *Gazette* Officer, should be returned promptly to avoid delay in publication.

(d) No additions or amendments to matter for publication will be accepted by telephone.

CONTENTS.

	PAGE.
Acts of Parliament	4475
Acts of Parliament on sale at the Government Printing Office	4525
Appointments	4477
Bank Holiday	4477
Contracts	4479
Country Roads Board	4500
Courts	4486
Estates of Deceased Persons	4488
Government Notices	4481
Impoundings	4524
Lands	4504
Mining	4478, 4524
Notice to Mariners	4487
Orders in Council	4488
Private Advertisements	4517
Proclamations	4475
Public Holidays	4477
Public Service Notices	4510
State Rivers and Water Supply Commission	4481
Tenders	4515
Transport Regulation Board—Public Hearings	4482