



VICTORIA GOVERNMENT GAZETTE

Published by Authority

[Registered at the General Post Office, Melbourne, for transmission by post as a newspaper.]

No. 58]

WEDNESDAY, JULY 2

[1958

ROAD TRAFFIC ACT 1956.

ROAD TRAFFIC ACT 1956.

PROCLAMATION

By His Excellency the Governor of the State of Victoria and its Dependencies in the Commonwealth of Australia, &c., &c., &c.

WHEREAS by the *Road Traffic Act 1956* it is amongst other things enacted that Part II. of the said Act shall apply only in respect of infringements occurring in any area or circumstance specified for the purpose of such Part by Proclamation of the Governor in Council published in the *Government Gazette* and occurring after the date of such Proclamation:

And whereas it is also enacted in the said Act that any such Proclamation may provide that such Part of the said Act shall apply only in respect of parking infringements or in respect of traffic infringements or in any particular area or circumstance:

And whereas it is further enacted that no such Proclamation shall be made in relation to parking infringements unless the council of any municipality the municipal district or any part of the municipal district of which is specified therein has requested the Governor in Council to extend the application of such Part to such municipal district or part thereof:

And whereas the Council of the Shire of Corio has requested the Governor in Council to extend the application of such Part in respect only of parking infringements to the Shire of Corio:

Now therefore I, the Governor of the State of Victoria, in the Commonwealth of Australia, by and with the advice of the Executive Council of the said State, do by this my Proclamation specify the Shire of Corio as an area in which Part II. of the *Road Traffic Act 1956* shall apply in respect only of parking infringements occurring after the date hereof.

Given under my Hand and the Seal of the State of Victoria aforesaid, at Melbourne, this twenty-fifth day of June, in the year of our Lord One thousand nine hundred and fifty-eight, and in the seventh year of the reign of Her Majesty Queen Elizabeth II.

(L.S.)

DALLAS BROOKS.

By His Excellency's Command,

MURRAY PORTER,
for Chief Secretary.

GOD SAVE THE QUEEN!

PROCLAMATION

By His Excellency the Governor of the State of Victoria and its Dependencies in the Commonwealth of Australia, &c., &c., &c.

WHEREAS by the *Road Traffic Act 1956* it is amongst other things enacted that Part II. of the said Act shall apply only in respect of infringements occurring in any area or circumstance specified for the purpose of such Part by Proclamation of the Governor in Council published in the *Government Gazette* and occurring after the date of such Proclamation:

And whereas it is also enacted in the said Act that any such Proclamation may provide that such Part of the said Act shall apply only in respect of parking infringements or in respect of traffic infringements or in any particular area or circumstance:

And whereas it is further enacted that no such Proclamation shall be made in relation to parking infringements unless the council of any municipality the municipal district or any part of the municipal district of which is specified therein has requested the Governor in Council to extend the application of such Part to such municipal district or part thereof:

And whereas the Council of the Borough of Wangaratta has requested the Governor in Council to extend the application of such Part in respect only of parking infringements to the Borough of Wangaratta:

Now therefore I, the Governor of the State of Victoria, in the Commonwealth of Australia, by and with the advice of the Executive Council of the said State, do by this my Proclamation specify the Borough of Wangaratta as an area in which Part II. of the *Road Traffic Act 1956* shall apply in respect only of parking infringements occurring after the date hereof.

Given under my Hand and the Seal of the State of Victoria aforesaid, at Melbourne, this twenty-fifth day of June, in the year of our Lord One thousand nine hundred and fifty-eight, and in the seventh year of the reign of Her Majesty Queen Elizabeth II.

(L.S.)

DALLAS BROOKS.

By His Excellency's Command,

MURRAY PORTER,
for Chief Secretary.

GOD SAVE THE QUEEN!

Workers Compensation Acts.
DISEASES IN RELATION TO PROCESSES OR OCCUPATIONS.

PROCLAMATION

By His Excellency the Governor of the State of Victoria and its Dependencies in the Commonwealth of Australia,
&c., &c., &c.

WHEREAS by the Workers Compensation Acts it is amongst other things enacted that the Governor in Council, after consultation by the Minister with the Workers Compensation Board, may by proclamation in the *Government Gazette* specify diseases in relation to processes or occupations for the purposes of section twenty-two of the *Workers Compensation Act 1951*:

And whereas the Minister and the Workers Compensation Board have consulted accordingly:

Now, therefore, I, the Governor of the State of Victoria in the Commonwealth of Australia, by and with the advice of the Executive Council of the said State and in pursuance of the powers conferred by the Workers Compensation Acts and all other powers me thereto enabling do by this my Proclamation, for the purposes of Section 22 of the *Workers Compensation Act 1951*, specify the diseases in relation to processes or occupations set out in the Schedule hereunder:

SCHEDULE.

Description of Disease.	Description of Process or Occupation.
Arsenic poisoning or its sequelae	Any manufacturing or other process involving the use of or contact with arsenic or its preparations or compounds
Phosphorus poisoning or its sequelae	Any manufacturing or other process involving the use of or contact with phosphorus or its preparations or compounds
Lead poisoning or its sequelae	Any manufacturing or other process involving the use of or contact with lead or its preparations or compounds
Mercury poisoning or its sequelae	Any manufacturing or other process involving the use of or contact with mercury or its preparations or compounds
Copper poisoning or its sequelae	Any manufacturing or other process involving the use of or contact with copper or its preparations or compounds
Zinc poisoning or its sequelae	Any manufacturing or other process involving the use of or contact with zinc or its preparations or compounds
Anthrax	Wool combing; wool sorting; handling of or coming in contact with hides, skins, wool, hair, bristles or carcasses
Carbon bisulphide poisoning	Any manufacturing or other process involving working in contact with or the inhalation of carbon bisulphide gas
Carbon monoxide poisoning	Any manufacturing or other process involving working in contact with or the inhalation of carbon monoxide gas
Chrome ulceration or its sequelae	Any manufacturing or other process involving the use of or contact with chromic acid or bichromate of ammonium potassium or sodium or their preparations
Poisoning by benzol or its nitro and amido derivatives (dinitro-benzol, aniline, and similar substances)	Any occupation involving the use of or contact with a nitro or amido derivate of benzol, or its preparations or compounds
Septic poisoning or its sequelae	Any work involving the handling of meat or the manufacture of meat products or animal by-products in connexion with the trade of a butcher or slaughterman
Dermatitis venenata	Any occupation involving the use of or contact with vegetable or mineral matter
Tenosynovitis (inflammation of the tendon sheaths of the hand, wrist, forearm or elbow)	Any process or occupation connected with the preparation, preserving, canning or bottling of jams, sauces, fruits, pickles or other similar foods for human consumption
Subcutaneous cellulitis or acute bursitis arising at or about the knee (beak knee)	Mining
Subcutaneous cellulitis or acute bursitis over the elbow (beak elbow)	Mining
Silicosis with or without pulmonary tuberculosis	Any manufacturing or other process involving exposure to the inhalation of silica dust
Poisoning by the halogen derivatives of hydrocarbons of the aliphatic series	Any process or occupation involving the production, liberation or utilization of halogen derivatives of hydrocarbons of the aliphatic series
Pathological manifestations due to radium and other radioactive substances or X-rays	Any process involving exposure to the action of radium, radioactive substances or X-rays
Primary epitheliomatous cancer of the skin	Any process or occupation involving the handling of or use of tar, pitch, bitumen, mineral oil, paraffin, or the compounds, products or residues of those substances

Given under my Hand and the Seal of the State of Victoria aforesaid, at Melbourne, this twenty-fifth day of June, in the year of our Lord One thousand nine hundred and fifty-eight, and in the seventh year of the reign of Her Majesty Queen Elizabeth II.

(L.S.)

DALLAS BROOKS.

By His Excellency's Command,

MURRAY PORTER,
for Chief Secretary.

GOD SAVE THE QUEEN!

LAND SURVEYORS ACT 1953 (No. 5713).
DATE OF COMING INTO OPERATION.

PROCLAMATION

By His Excellency the Governor of the State of Victoria and its Dependencies in the Commonwealth of Australia,
&c., &c., &c.

WHEREAS by section 1 of the *Land Surveyors Act 1953* (No. 5713) it is provided that the said Act shall come into operation on a day to be fixed by Proclamation of the Governor in Council published in the *Government Gazette*:

Now therefore, I, the Governor of the State of Victoria, in the Commonwealth of Australia, by and with the advice

of the Executive Council of the said State, do by this my Proclamation fix Tuesday, the fifteenth day of July, 1958, as the day on which the said Act shall come into operation.

Given under my Hand and the Seal of the State of Victoria aforesaid, at Melbourne, this twenty-fifth day of June, in the year of our Lord One thousand nine hundred and fifty-eight, and in the seventh year of the reign of Her Majesty Queen Elizabeth II.

(L.S.)

DALLAS BROOKS.

By His Excellency's Command,
KEITH TURNBULL,
Commissioner of Crown Lands and Survey.

GOD SAVE THE QUEEN!

Soldier Settlement Act 1946 (No. 5179).
ROADS CLOSED.

PROCLAMATION

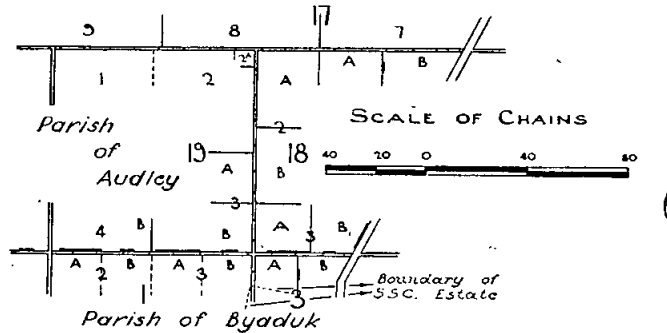
By His Excellency the Governor of the State of Victoria and its Dependencies in the Commonwealth of Australia, &c., &c., &c.

WHEREAS section 6 (1) of the *Soldier Settlement Act 1946* (No. 5179) prescribed that where any road (whether used or unused and whether formed or unformed) forms part of or intersects any estate and the Soldier Settlement Commission after consultation with the council or councils of the municipality or municipalities concerned, certifies that the said road is unsuited to the proper subdivision of the estate:

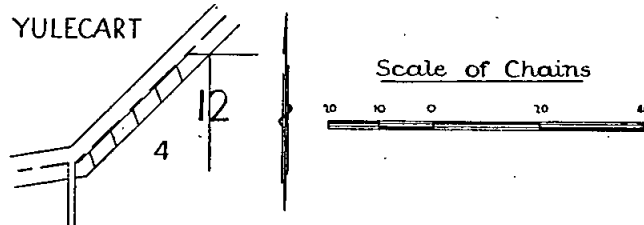
And whereas the Soldier Settlement Commission, after consultation with the councils of the municipalities concerned, has so certified:

Now therefore, I, the Governor of the State of Victoria, in the Commonwealth of Australia, by and with the advice of the Executive Council of the said State, and in pursuance of section 6 of the *Soldier Settlement Act 1946* (No. 5179), do by this my Proclamation direct that the roads, as described hereunder, be closed, that is to say:—

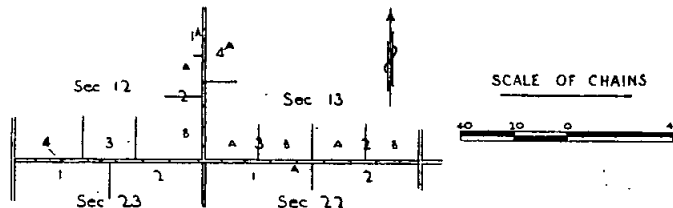
Parishes of Audley and Byaduk, County of Normanby, being the roads indicated by hachure on plan hereunder.—(A.99⁽²⁾) (A.99(B) (B.569⁽²⁾) (D.32362).



Parish of Audley, County of Normanby, being the road indicated by hachure on plan hereunder.—(A.99⁽²⁾) (D.31345).



Parish of Audley, County of Normanby, being the roads indicated by hachure on plan hereunder.—(A.99⁽²⁾) (D.31345).

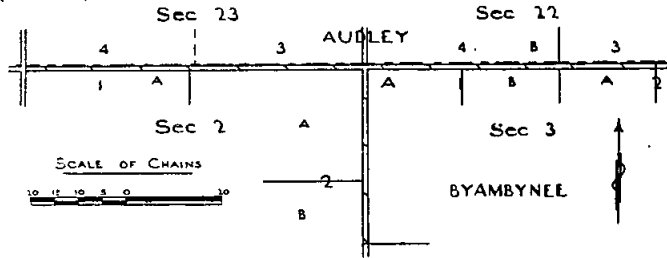


Parish of Audley, County of Normanby, being the road between subdivision B of allotment 4, allotment 3, section 10, and subdivision A of allotments 1, 2, section 14.—(A.99⁽²⁾) (D.31345).

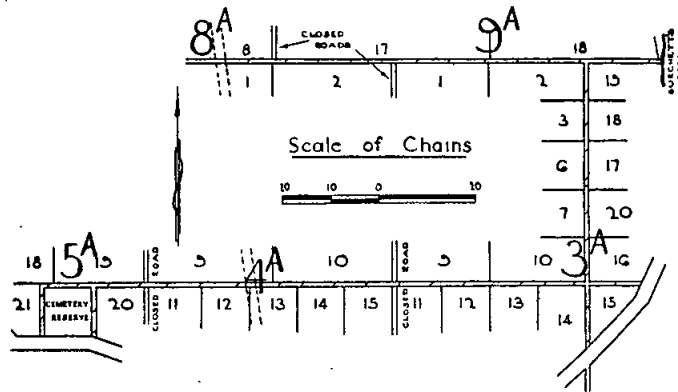
Parish of Audley, County of Normanby, being the road between subdivisions A and B of allotment 2, allotment 3, section 10, and subdivisions A and B of allotment 1, allotment 4, section 9.—(A.99⁽²⁾) (D.31345).

Parish of Audley, County of Normanby, being the road between allotments 2, 3, section 23, and subdivisions A and B of allotments 1, 4, section 22.—(A.99⁽²⁾) (D.31345).

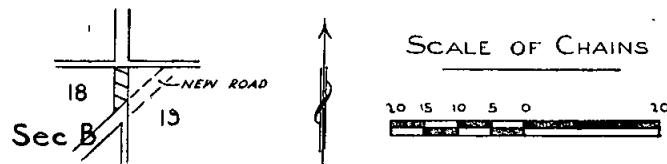
Parish of Byambynee, County of Normanby, being the roads indicated by hachure on plan hereunder.—(A.99⁽²⁾) (B.570^(D)) (D.31345).



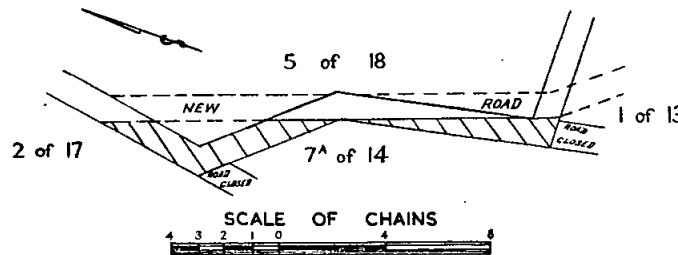
Parish of Caramut, County of Villiers, being the roads indicated by hachure on plan hereunder.—(C.193⁽²⁾) (D.29452).



Parish of Dunbulbalane, County of Moira, being the road indicated by hachure on plan hereunder.—(D.193⁽²⁾) (D.32414).



Parish of Merino, County of Normanby, being the sections of road indicated by hachure on plan hereunder.—(M.248⁽²⁾) (D.1311).



Parish of Hawkestone, County of Talbot, being the road between allotment 5, section 3, allotments 1, 2, section 2, and allotment 1, section 3, allotments 7, 6, section 5.—(H.24⁽⁴⁾) (D.26923).

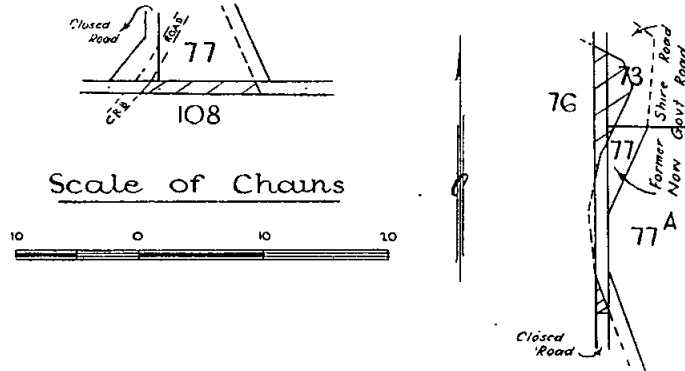
Parish of Hawkestone, County of Talbot, being the road between allotment 6, section 5, and allotment 5, section 5.—(H.24⁽³⁾) (H.24⁽⁴⁾) (D.26923).

Parish of Hawkestone, County of Talbot, being the road between allotment 4, section 5, and allotment 3, section 5.—(H.24⁽³⁾) (D.26923).

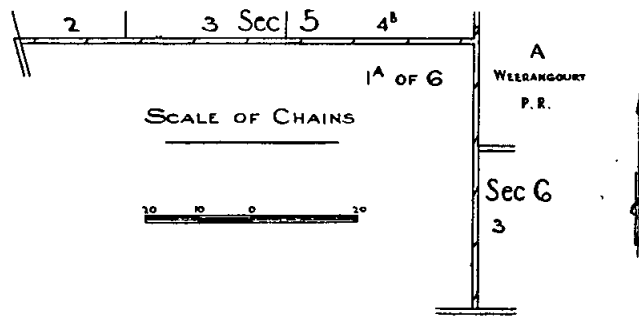
Parish of Hawkestone, County of Talbot, being the road between allotment 11, section 5, and allotment 12, section 5.—(H.24⁽³⁾) (D.26923).

Parish of Hawkestone, County of Talbot, being the road between allotment 9, section 5, and allotment 10, section 5.—(H.24⁽³⁾) (H.24⁽⁴⁾) (D.26923).

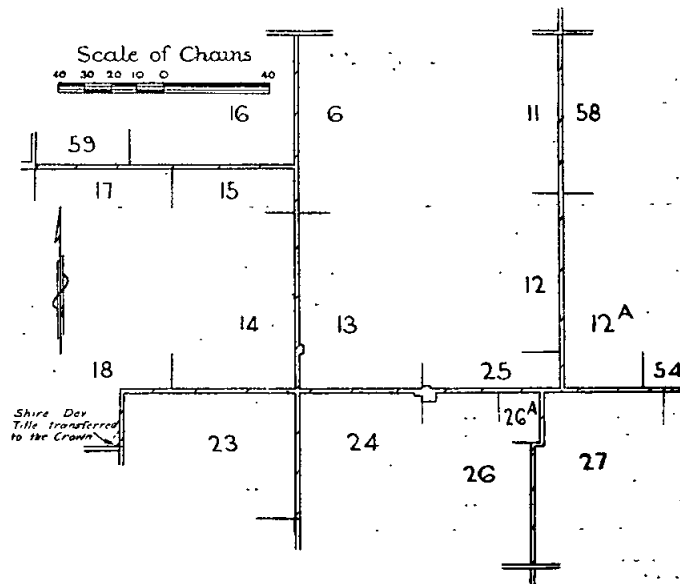
Parish of Mirboo, County of Buln Buln, being the roads indicated by hachure on plans hereunder.—(M.517⁽¹⁴⁾) (D.27264).



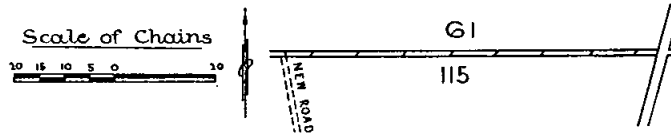
Parish of Weerangourt, County of Normanby, being the roads indicated by hachure on plan hereunder.—(W.255⁽³⁾) (D.31564).



Parish of Yat Nat, County of Lowan, being the roads indicated by hachure on plan hereunder.—(Y.106⁽²⁾) (D.29696):



Parish of Tarrayoukyan, County of Dundas, being the road indicated by hachure on plan hereunder.—(T.157(?) (D.31126).



Given under my Hand and the Seal of the State of Victoria aforesaid, at Melbourne, the twenty-fifth day of June, in the year of our Lord One thousand nine hundred and fifty-eight, and in the seventh year of the reign of Her Majesty Queen Elizabeth II.

(L.S.)

DALLAS BROOKS.

By His Excellency's Command,

KEITH TURNBULL,

Commissioner of Crown Lands and Survey.

GOD SAVE THE QUEEN!

PUBLIC HALF-HOLIDAY.

PROCLAMATION

By His Excellency the Governor of the State of Victoria and its Dependencies in the Commonwealth of Australia, &c., &c., &c.

IN pursuance of the provisions contained in Part III. of the *Public Service Act 1946*, I, the Governor of the State of Victoria, in the Commonwealth of Australia, by and with the advice of the Executive Council of the said State, do by this my Proclamation appoint the day and date hereunder mentioned to be observed as a Public Half-Holiday at the place specified, viz.:—

Public Half-Holiday from the Hour of Twelve o'clock noon:—

WEDNESDAY, THE 23RD JULY, 1958, throughout the Shire of McIvor.

Given under my Hand and the Seal of the State of Victoria aforesaid, at Melbourne, this twenty-fifth day of June, in the year of our Lord One thousand nine hundred and fifty-eight, and in the seventh year of the reign of Her Majesty Queen Elizabeth II.

(L.S.)

DALLAS BROOKS.

By His Excellency's Command,

MURRAY PORTER,

for Chief Secretary.

GOD SAVE THE QUEEN!

Dairy Products Acts.

QUOTAS FOR BUTTER AND CHEESE.

BUTTER QUOTA.

I, GILBERT LAWRENCE CHANDLER, Minister of Agriculture in the State of Victoria, after consultation with the Victorian Dairy Products Board, and after ascertaining that the supply and distribution of butter at reasonable prices to consumers thereof in Victoria will be ensured, hereby determine a quota for butter as follows:—

The proportion shall be Eighty-two point nine eight per cent.

The period for which this quota is to operate shall be the month of July, 1958.

CHEESE QUOTA.

I, GILBERT LAWRENCE CHANDLER, Minister of Agriculture in the State of Victoria, after consultation with the Victorian Dairy Products Board, and after ascertaining that the supply and distribution of cheese at reasonable prices to consumers thereof in Victoria will be ensured, hereby determine a quota for cheese as follows:—

The proportion shall be Seventy-five per cent.

The period for which this quota is to operate shall be the month of July, 1958.

G. L. CHANDLER,
Minister of Agriculture.

23rd June, 1958.

Marriage Act 1928.

MINISTERS OF RELIGION REGISTERED TO CELEBRATE MARRIAGES IN VICTORIA.

It is hereby notified that, in pursuance of the provisions of the *Marriage Act 1928*, 19 Geo. V., No. 3726, Sec. 11, the under-mentioned Officiating Ministers of Religion have been registered at this Office for the celebration of marriages in Victoria:—

Number in Register.	Name.	Designation.	Denomination.	Residence.	Date of Registration.
11819	Melville, Peter Kennedy ..	Minister ..	Presbyterian ..	7 Stonehouse-court, Toorak ..	2.6.58
11820	Grgas, Marijan ..	Priest ..	Roman Catholic ..	378 Nicholson-street, North Fitzroy ..	5.6.58
11821	Drummond, Raymond Alfred Henry	Officer ..	Salvation Army ..	14 Heath-street, Red Cliffs ..	7.6.58
11822	Mullins, George ..	Deacon ..	Church of England ..	18 Alexina-street, St. Albans ..	7.6.58
11823	Young, Ian Stewart ..	Captain ..	Salvation Army ..	86 Nicholson-street, Bairnsdale ..	9.6.58
11824	Lewis, Leonard Charles ..	Minister ..	Baptist ..	2 Salisbury-avenue, Ballarat ..	11.6.58
11825	Gorman, Francis Joseph ..	Priest ..	Roman Catholic ..	St. Patrick's College, Cathedral-place, East Melbourne ..	18.6.58
11826	Maher, Alfred John ..	Priest ..	Church of England ..	Brisbane-street, Borwick ..	20.6.58
11827	Wallace, William Henry David ..	Minister ..	Presbyterian ..	206 Curdie-street, Cobden ..	20.6.58
11828	Strelan, David Theodore ..	Pastor ..	Evangelical Lutheran ..	66 Melbourne-road, Norlane ..	20.6.58
11829	Hopkins, William Read ..	Minister ..	Presbyterian ..	30 Rathmines-street, Fairfield ..	25.6.58
11830	Lindsay, John Warwick ..	Minister ..	Baptist ..	1A Parring-road, Balwyn ..	27.6.58
11831	Morey, Clive Wyndham ..	Minister ..	Presbyterian ..	The Manse, Dyer-street, Rupanyup ..	27.6.58
11832	Lloyd, Arthur Frederick ..	Priest ..	Church of England ..	8 Wallace-avenue, Bendigo ..	27.6.58

Office of the Government Statist,
Melbourne, 27th June, 1958.

S. H. E. HOLLOW,
Secretary.

THE MELBOURNE HARBOR TRUST COMMISSIONERS.

REGULATIONS.

IN pursuance of the *Melbourne Harbor Trust Act 1928*, the Melbourne Harbor Trust Commissioners make the following Regulation:—

1. The Regulations made by the Commissioners on the 8th August, 1956, approved by the Governor in Council on 4th September, 1956, and published in the *Government Gazette* on 17th September, 1956, are hereafter referred to as "the Principal Regulations".

2. Regulation No. 318 of the Principal Regulations is amended by inserting in the Schedule immediately after the line commencing with the words "all other goods" and before the words "goods exempt from charges under this Regulation" the following words:—

Tourist motor cars (including utilities station wagons and panel vans) Tourist Caravans Tourist Trailers and Commercial Travellers' Motor Cars shipped at any other Australian Port and accompanied by the Tourist or Commercial Traveller as the case may be—£1.10.0 per vehicle.

Dated at Melbourne this 18th day of June, 1958.

The common seal of the Melbourne Harbor Trust Commissioners was hereunto affixed by order of the Commissioners in the presence of:—

A. D. MACKENZIE, Chairman.

(SEAL)

H. M. GIBBONS, Commissioner.

M. W. CLIFTON, Secretary.

Approved by the Governor in Council,
25th June, 1958.

N. G. WISHART,
Acting Clerk of the Executive Council.

Local Government Act 1946, Part 48, Section 876.

LICENCES TO OCCUPY WATER FRONTAGES.

NOTICE is hereby given that Licences to occupy Water Frontages have been issued to the following approved applicants, and that the Licence Fee specified in each case has been received by the Accountant, Department of Crown Lands and Survey, Melbourne, C.2.

Number of Licence.	Name and Address of Licensee.	Municipality.	Parish.	Abutting— Allotments and Sections.	Fee for Licence.	Date of Issue of Licence.	Date of Expiry of Licence.
					£ s. d.		
24331	Ronalds, F. H., Cobains Estate, Sale	Avon ..	Nuntin ..	Lake Wellington, 59 and 95A	0 10 6	1.1.58	31.12.60
24332	Goddard, J., and Co., Nicholson, via Bairnsdale	Bairnsdale ..	Broadlands ..	Nicholson River, 4B, section A	1 5 0	1.1.58	31.12.60
24333	Chandler, Mrs. E., "Aldina", Gipsy Point	Orbost ..	Maramingo ..	Wallangarough River, small area granted for residence (Township of Gipsy Point)	0 5 0	1.1.58	31.12.60
24334	Milne, R. H., Tangambalanga	Yackandandah	Beethang ..	Kiewa River, lot 17 on lodged plan of subdivision No. 5409, 3B, 3A, and north part 2A, section 12	2 10 0	1.1.58	31.12.60
24335	Williams, A. A., "Albion", Burwood-road, East Burwood	Numurkah ..	Drumanure ..	Nine Mile Creek, 32, 33, 33A, 33B, section B	6 15 0	1.1.58	31.12.60
24336	Petersen, G. J. and J. H., Omeo	Omeo ..	Omeo ..	Livingstone Creek, 83 ..	2 0 0	1.1.58	31.12.60
24337	Barron, R., Hillside ..	Bairnsdale ..	Moormung ..	Mitchell River, 5, section B, S.S. Estate of Rosehill, 6A, 6B	13 10 0	1.1.58	31.12.60
24338	Cunningham, A., Hillside ..	Bairnsdale ..	Moormung ..	Mitchell River, 2, section B, S.S. Estate of Rosehill	22 10 0	1.1.58	31.12.60
24339	Traill, A. M., Dargo ..	Avon ..	Wonnangatta	Wonnangatta River, 1 of 15 and 17 of 18	3 2 6	1.1.58	31.12.60
24340	Nielson, John, Munro ..	Avon ..	Yeerung ..	Perry Creek, 21C, 21A, 21B, section 2	0 10 0	1.1.58	31.12.60

Department of Crown Lands and Survey,
Melbourne, 27th June, 1958.

KEITH TURNBULL,
Commissioner of Crown Lands and Survey.

Local Government Act 1946, Part 48, Section 876.
LICENCES TO OCCUPY UNUSED ROADS.

NOTICE is hereby given that Licences to occupy Unused Roads have been issued to the following approved applicants, and that the Licence Fee specified in each case has been received by the Accountant, Department of Crown Lands and Survey, Melbourne, C.2.

Number of Licence.	Name and Address of Licensee.	Municipality.	Parish.	Abutting— Allotments and Sections.	Area.	Fee for Licence.		Date of Issue of Licence.	Date of Expiry of Licence.
						A. B. P.	£ s. d.		
40301	Marsden, H. and D. A., Raywood	Marong	Neilborough	West of 1, section 25 (Township of Raywood)	0 1 32	0 9 0	1.1.58	31.12.60	
40302	McKnight, W. J., Kerang	Kerang	Murrabit West	North of 33, 34, and west of 12, section F	9 0 0	0 9 0	1.1.58	31.12.60	
40303	Cox, J. T. and P., Pyramid	Gordon	Terrick Terrick West	West of 41	8 2 0	1 1 3	1.1.58	31.12.60	
40304	King, J. L. and E. D., Bendigo	Marong	Shelbourne	North of 35A, 33, 1, no section	5 0 0	1 0 0	1.1.58	31.12.60	
40305	Hendrickson, E. M. J. and R., Talbot	Talbot	Amherst	West of 10, south of 8, 9, 10, 11, section 17	6 0 0	4 10 0	1.1.58	31.12.60	
40306	Walsh, W. J. and S. E., Tylden Wayside	Kyneton	Tylden	North of 121	6 0 0	15 0 0	1.1.58	31.12.60	
40307	Darker, W. N., B. P. 104, Boort	Gordon	Boort	West of 14A, section D	15 0 0	1 17 6	1.1.58	31.12.60	
40308	Jennings, L. V., Newbridge	Bet Bet	Tarnagulla	North of 14, section A	1 0 0	0 5 0	1.1.58	31.12.60	
40309	Davis, Jas., Maryborough	Bet Bet	Dunolly	North of 2, 3, 4, of G	3 0 0	0 7 6	1.1.58	31.12.60	
40310	Henry, J. J., Lalbert	Kerang	Lalbert	East of 110 section reserve and railway reserve, section A	4 0 0	0 5 0	1.1.58	31.12.60	
40311	Brown, T. L., Newstead	Newstead	Strangways	Between sections 29 and 30, (Township of Newstead)	0 3 0	0 5 0	1.1.58	31.12.60	
40312	Shearer, W. H., Maldon	Maldon	Maldon	East of section 5c	0 2 0	0 5 0	1.1.58	31.12.60	
40313	D'Ornay, M. M. J., Bendigo	Strathfield-saye	Mandurang	East of 98c and south of 68A	7 2 0	1 17 6	1.1.58	31.12.60	
40314	MacDonald, Porcupine Ridge	Glenlyon	Holcombe	South of 2r and south of 2b, 2A	8 1 0	7 4 6	1.1.58	31.12.60	
40315	Rooney, W., Mandurang	Strathfield-saye	Mandurang	South of 92	1 0 0	0 7 6	1.1.58	31.12.60	
40316	Kelly, J. J. and G. A., Lalbert	Kerang	Lalbert	Part west of 5, 4, 3, and part 15	10 0 0	0 19 0	1.1.58	31.12.60	
40317	Taylor, J. M., Eddington	Tullaroop	Eddington	South of 1, section 1	0 3 0	0 5 0	1.1.58	31.12.60	
40318	Doyle, R. T., Kyneton	Kyneton	Lauriston	East of 25, 26, section 50 (Township of Kyneton)	0 3 0	2 5 0	1.1.58	31.12.60	
40319	Fanning, C., Charlton	Charlton	Charlton East	North of 3, section 1 (Parish of Yeungroon)	8 0 0	3 12 0	1.1.58	31.12.60	
40320	McPherson, J. F., Betley	Bet Bet	Dunolly	West of kOK, section 1	5 0 0	1 5 0	1.1.58	31.12.60	
40321	Bennett, J. W. G., Dunluce	Bet Bet	Natte Yallock	East of 25, section A	3 2 0	0 17 6	1.1.58	31.12.60	
40322	Flett, R. W., Dunolly	Bet Bet	Archdale	Between 14 and 15, section A	7 0 0	1 15 0	1.1.58	31.12.60	
40323	Humphreys, E. G., Woodend	Newham and Woodend	Woodend	North of 1, 2, 3, 4, 5	3 1 0	1 6 0	1.1.58	31.12.60	
40324	Bond, Ed., Talbot	Talbot	Amherst	North, south, and west of proposed hospital site	2 1 8	0 9 3	1.1.58	31.12.60	
40325	Newling, W., Talbot	Talbot	Amherst	East of 38A, north and east of 38, section 4, south of 14b, section 5	4 0 0	0 16 0	1.1.58	31.12.60	
40326	Healy, Mr. K., Ultima	Kerang	Meering	South of 3, section 1	8 2 0	0 8 6	1.1.58	31.12.60	
40327	Tangey, G., Newstead	Newstead	Strangways	West of 3A, section 2A	3 0 0	0 7 6	1.1.58	31.12.60	
40328	Elliott, Mrs. S. P., Maryborough	Maryborough	Maryborough	West and south of recreation reserve, and south of 69 to 73, section 23A	3 0 0	1 10 0	1.1.58	31.12.60	
40329	Peterson, Estate of H. E., Newstead	Huntly	Ellesmere	South of 42A, 42B, 27, 9	12 2 0	12 10 0	1.1.58	31.12.60	
40330	Burkinshaw, C. H., Timor West	Tullaroop	Wareek	Between 36 and 41 of 6	1 1 10	0 6 6	1.1.58	31.12.60	

Department of Crown Lands and Survey,
Melbourne, 27th June, 1958.

KEITH TURNBULL,
Commissioner of Crown Lands and Survey.

NOTICE.

ADMINISTRATION of the estate of each of the under-mentioned deceased persons has been granted to the Public Trustee, and creditors, next of kin, and all others having claims against the estate of any of the persons so mentioned are required to send particulars of their claims to the Public Trustee, 7th Floor, 601 Little Collins-street, Melbourne, on or before the 5th September, 1958, or they will be excluded from the distribution of the estate when the assets are being distributed:—

COTRONEO, GERTRUDE ELIZABETH, also known as Gertrude Cotroneo, and Gertrude Elizabeth Roneo, late of 98 Pickles-street, South Melbourne, married woman, died 7th February, 1958, intestate.

DALTON, MARTIN JOSEPH, late of 33 Parkside-street, Elsternwick, tram driver, died 3rd January, 1958, intestate.

*DICK, ALEXANDER JOHN, late of 20 Myrtle-avenue, Ringwood, insurance clerk, died 23rd February, 1958.

*DUNLOP, ELIZABETH JANE, also known as Elizabeth Dunlop, late of 222 Errol-street, North Melbourne, pensioner, died 21st April, 1958.

*GERRARD, JOHN ARCHIBALD PRIMROSE, late of 14 Orchard-street, Brighton, industrial superintendent, died 18th February, 1958.

GLADYSZ, ANTONI, late of 49 Corrigan-avenue, Brooklyn, carpenter, died 28th January, 1958, intestate.

GREEN, JESSIE MUNRO, late of 47 Homer-street, Moonee Ponds, pensioner, died 9th January, 1958, intestate.

GUMMOW, RICHARD JAMES, formerly of 60 Jackson-street, Long Gully, but late of Bendigo Benevolent Home, Bendigo, pensioner, died 9th November, 1957, intestate.

HAYES, ARTHUR JOHN, late of Ararat, labourer, died 25th April, 1905, intestate.

HEFFERNAN, ELIZABETH JANE, formerly of 368 Dorcas-street, South Melbourne, but late of Kew, spinster, died 13th March, 1958, intestate.

HERRIN, JAMES, late of River-street, Healesville, pensioner, died 25th September, 1956, intestate.

†JATER, FRANK GEORGE, late of 29 Nepean Highway, Mordialloc, agency supervisor, died 22nd September, 1957.

*LIVINGSTON, DOUGLAS ALBERT, late of 76 Pleasant-street, Glandore, South Australia, manager, died 16th December, 1957.

*PAINE, WILLIAM GEORGE, late of 12 Tucker-street, West Footscray, clerk, died 17th February, 1958.

*PARNALL, AMY AMELIA, late of 10 Waltham-road, Newport, fur finisher, died 22nd November, 1957.

*WEBB, THOMAS PASCOE, late of 46 Earl-street, Windsor, glazier, died 17th April, 1958.

* With the will annexed.
† According to the provisions of the will.

H. C. CHIPMAN,
Public Trustee.

Melbourne, 25th June, 1958.

4 GEORGE VI. No. 4755, SECTION 6.

I HEREBY give notice that on the 10th June, 1958, the Public Trustee filed elections to administer the following deceased persons' estates, in accordance with section 6 of the *Public Trustee Act 1940*:—

HEFFERNAN, ELIZABETH JANE, formerly of 368 Dorcas-street, South Melbourne, but late of Kew, spinster, died 13th March, 1958, intestate.

HERRIN, JAMES, late of River-street, Healesville, pensioner, died 25th September, 1956, intestate.

I HEREBY give notice that on the 12th June, 1958, the Public Trustee filed an election to administer the following deceased person's estate, in accordance with section 6 of the *Public Trustee Act 1940*:—

HAYES, ARTHUR JOHN, late of Ararat, labourer, died 25th April, 1905, intestate.

I HEREBY give notice that on the 18th June, 1958, the Public Trustee filed an election to administer the following deceased person's estate, in accordance with section 6 of the *Public Trustee Act 1940*:—

GUMMOW, RICHARD JAMES, formerly of 60 Jackson-street, Long Gully, but late of Bendigo Benevolent Home, Bendigo, pensioner, died 9th November, 1957, intestate.

I HEREBY give notice that on the 20th June, 1958, the Public Trustee filed an election to administer the following deceased person's estate, in accordance with section 6 of the *Public Trustee Act 1940*:—

*JATER, FRANK GEORGE, late of 29 Nepean Highway, Mordialloc, agency supervisor, died 22nd September, 1957.

* According to the provisions of the will.

H. C. CHIPMAN,
Public Trustee.

601 Little Collins-street, Melbourne, 25th June, 1958.

Land Surveyors' Act 1942.

SURVEYORS' BOARD OF VICTORIA.

THE Surveyors' Board hereby gives notice that the next examination for the Board's Certificate of Competency will be held in the Engineering School, Melbourne University, from Monday, 18th August, 1958, to Monday, 25th August, 1958.

Applications for entry to this examination must reach the Secretary to the Board not later than Friday, 25th July, 1958.

All applications must be accompanied by the appropriate fee.

J. B. M. KENNEDY,
Secretary.

Office of the Surveyors' Board,
Department of Crown Lands and Survey,
Melbourne, 23rd June, 1958.

DEPARTMENT OF MINES. MINING LEASES GRANTED.

7463, Mineral; Henry Allan Green; 387a. 1r. 2p., Parishes of Lal Lal and Clarendon.

7587, Mineral; Australian Paper Manufacturers Ltd.; 60a. 0r. 5p., Parish of Callignee.

APPLICATIONS FOR LEASES DECLARED ABANDONED.

9181, Ballarat; Cecil Richard Garrett, Leslie Lawrence Howes and Arthur Henry Charles Howes; 40 acres, Parish of Kerrit Bareet.

7558, Mineral; John Vivian Vallance and Phyllis Irene Vallance; 10 acres, Parish of Pirro.

CONSENT GRANTED TO TRANSFER MINING LEASES.

9134, Castlemaine; from Kenneth Vincent Harris and Clarice Elizabeth Harris to William James Clayton.

7525, Mineral; from Basil Henry Bryant and Patrick Denis Crowe to Basil Henry Bryant.

APPLICATION FOR LICENCE DECLARED ABANDONED.

74, Mineral Search Licence; W. R. Hume Pty. Ltd.; 50 acres, Parish of Boola Boola.

MINERAL SEARCH LICENCES GRANTED.

105, Mineral Search Licence; Benjamin Caddin Hancox; 50 acres, Parish of Narbourac.

106, Mineral Search Licence; Benjamin Caddin Hancox; 50 acres, Parish of Narbourac.

107, Mineral Search Licence; Benjamin Caddin Hancox; 50 acres, Parish of Narbourac.

108, Mineral Search Licence; Benjamin Caddin Hancox; 50 acres, Parish of Narbourac.

109, Mineral Search Licence; Benjamin Caddin Hancox; 50 acres, Parishes of Narbourac and Warrambat.

110, Mineral Search Licence; Benjamin Caddin Hancox; 50 acres, Parish of Narbourac.

EXTENSION OF TERM OF PETROLEUM PROSPECTING LICENCES.

157, Petroleum Prospecting Licence; Lakes Oil Limited; 200 square miles, Parishes of Stradbroke, Mullungdung, Darriman, Woodside, Wonwron, Boodyarn, Yarram Yarram, Woranga, Alberton East, Bruthen, Balloong and Tarra Tarra.

161, Petroleum Prospecting Licence; Lakes Oil Limited, by transfer from Frome-Lakes Pty. Ltd.; 170 square miles, Parishes of Colquhoun, Colquhoun North, Colquhoun East, Tildesley West, Tildesley East, Waygara and Newmerella.

162, Petroleum Prospecting Licence; Lakes Oil Limited, by transfer from Frome-Lakes Pty. Ltd.; 198 square miles, Parishes of Goon Nure, Boole Poole, Bairnsdale, Broadlands, Moormung, Bumberrah and Sarsfield.

181, Petroleum Prospecting Licence; Lakes Oil Limited, by transfer, from, Frome-Austral Pty. Ltd.; 136 square miles, Parishes of Bengworden, Coongulmerang, Meerlieu, Moormung, Broadlands, Sarsfield, Nindoo, Bairnsdale, Wy Yung and Colquhoun.

MINERAL SEARCH LICENCES EXPIRED.

48, Mineral Search Licence; Arie Willem Wernas; 50 acres, near Cape Everard.

49, Mineral Search Licence; Jan Van Holst Pellekaan; 50 acres, near Cape Everard.

67, Mineral Search Licence; Norman Campbell Madden; 48 acres, Parish of Puebia.

W. J. MIBUS,
Minister of Mines.

MINING LEASE AND LICENCE DECLARED VOID.

7513, Mineral; Albert Edwin Ekberg; 11a. 1r. 18p., Parish of Ninnie.

2758, Tailings Licence; Cyril Clifford Dunne; Parish of Faraday.

J. B. TILLEY,
Secretary for Mines.

Transport Regulation Acts.
TRANSPORT REGULATION BOARD.

NOTICES OF PUBLIC HEARINGS.

NOTICE is hereby given that the applications made by the persons named below for licences to operate the commercial goods vehicles, on the route or routes or in the manner set out opposite their names, will be heard at a time and place to be communicated to the persons concerned:—

Name and Address; Nature of Application.

- ASPLAND, C. G., Mount Egerton; 1 commercial goods vehicle (92 cwt.) to operate within the Ballarat Division of the Country Roads Board—road-contracting plant and materials.
- BELL, S., Box 31, Heywood; 1 commercial goods vehicle (145 cwt.) to operate—(a) from forest landings within a radius of 15 miles of S. Bell's sawmill at Green Vale (Heywood) to the said sawmill—logs, (b) from S. Bell's sawmill at Green Vale, Heywood, to consignees within a radius of 50 miles—sawn timber.
- BILLINGS, B. A., 38 Alfred-street, Blackburn; 1 commercial goods vehicle (17 cwt.) to operate—(a) within a radius of 50 miles from the G.P.O., Melbourne—goods being the property of licence holder and carried in the course of business as "sheet metal worker", (b) throughout the State of Victoria for the purpose of servicing and installing chicken brooders—tools of trade and parts required for the installation and servicing of same.
- BIRD, V. F., & Co., Box 77, Balliang; 1 commercial goods vehicle (110 cwt.) to operate—(a) within a radius of 20 miles of the post office at Balliang—general goods, (b) within a radius of 50 miles of the post office at Balliang—road-contracting plant and materials.
- BRUCE, P., 82 Murdock-road, Wangaratta; 1 commercial goods vehicle (20 cwt., approximately) to operate—(a) between Wangaratta and Bright, via Myrtleford and Porepunkah, and returning via Porepunkah, Myrtleford, Whorouly, and Milawa—parcels and newspapers, (b) mails under contract to the P.M.G.'s Department on the route set out above.
- CRITTENDEN, W. R., Jeparit; 1 commercial goods vehicle (400-cwt. low loader) to operate throughout the State of Victoria in the course of business as "bulldozing contractor"—own bulldozer.
- FERGUSTON SAWMILLS, Chum Creek-road, Healesville; 1 commercial goods vehicle (154 cwt.) to operate for the carriage of sawn timber from own sawmills at Healesville—(a) to the railway station at Healesville, (b) to any customer if delivered within a radius of 20 miles of the Healesville Railway Station, (c) to any merchant or builder if delivered to a timber yard or direct on to a building site which is situated within a radius of 25 miles of the G.P.O., Melbourne.
- FLEETWAYS TRANSPORT & AGENCY PTY. LTD., 88-102 Normanby-road, South Melbourne; application to vary the terms of all discretionary (D) licences held by the above company, by including the ability to carry motor bodies between Melbourne, Geelong, and Dandenong.
- FROST, R. W., Garvoc; 1 commercial goods vehicle (100 cwt.) to operate within the Warrnambool Division of the Country Roads Board—road-contracting plant and materials.
- HARRISON, J. G., McGregor-court, Mt. Evelyn; 1 commercial goods vehicle (69 cwt.) to operate throughout the State of Victoria in the course of business as "builder and carpenter"—tools of trade and equipment incidental to own contracts on behalf of Andac Pty. Ltd.
- McKINNON, R. A., Cann River; 2 commercial goods vehicles (273 and 210 cwt.) to operate for the carriage of—(1) logs from Forests Commission landings in the Thurra River area to sawmills at Cann River, (2) sawn timber from sawmills at Cann River to the railway station at Orbost.
- McLAUGHLIN, L. S., 56 Third-street, Heyfield; 1 commercial goods vehicle (265 cwt.) to operate from forest landings in the Licola area to sawmills at Heyfield—logs.
- READ & BRACK PTY. LTD., 6 Nunn-street, Benalla; 1 commercial goods vehicle (74 cwt.) to operate throughout the State of Victoria as a tow truck for the purpose of repairing or towing disabled or wrecked vehicles.
- RUSTON & HORNSBY (AUST.) PTY. LTD., Dandenong-road, Clayton; 1 commercial goods vehicle (8 cwt.) to operate throughout the State of Victoria for the purpose of repairing and servicing own internal combustion engines and earth-moving machinery—tools of trade, spare parts for replacement, and materials incidental to such work.

- SARGEANT, C., 41 Collins-street, West Geelong; 1 commercial goods vehicle (66 cwt.) to operate—(a) within a radius of 50 miles of North Geelong in the course of business as "boiling down works"—own goods, (b) within a radius of 100 miles of North Geelong to own factory at North Geelong—offal.
- SAWYER, S. W., 12 Richardson-street, Portland; 1 commercial goods vehicle (254 cwt.) to operate for the carriage of—(1) sawn timber from Clay and Pitts' sawmill at Portland to yards and to building sites in house lots only within a radius of 50 miles of aforesaid sawmill at Portland, (2) within a radius of 20 miles of the post office at Portland—general goods.
- SHAW, A. E., 61 Benson-street, Benalla; variation of licence No. T.T.D.2000 by the addition of the ability to operate within a radius of 20 miles of the post office at Benalla—general goods.
- SINGER SEWING MACHINE Co., 37 Main-street, Box Hill; 1 commercial goods vehicle (20 cwt.) to operate within a radius of 50 miles from own premises at Box Hill—new sewing machines, sewing machines for repair or having been repaired, sewing machine accessories, tools of trade, spare parts, and materials incidental to such repair and servicing of sewing machines.
- SOUTHERN STATES DRILLING Co. PTY. LTD., 357 Little Collins-street, Melbourne; 1 commercial goods vehicle (107 cwt.) to operate throughout the State of Victoria in the course of business as "water boring contractors"—tools of trade and equipment incidental to own contracts.
- WILLIAMS, C. R., Hart-street, Euroa; variation of licences Nos. T.T.D.1998 and T.T.D.1997 by the addition of the ability to operate—(b) from Strathbogie and Boho areas to sawmills at Euroa and Violet Town for the carriage of logs, (c) within a radius of 20 miles of the post office at Euroa—general goods.
- WILLIAMS, L. M. & C. W., Station-street, Riddell's Creek; 1 commercial goods vehicle (90 cwt.) to operate from Melbourne to own store at Riddell's Creek in the course of business as "general merchants"—own goods.
- ZIEDINS, P. E., 14 Graham-avenue, Wangaratta; 1 commercial goods vehicle (75 cwt.) to operate within the Benalla Division of the Country Roads Board—road-contracting plant and materials.

NOTICE is hereby given that the applications made by the persons named below for renewal of licences to operate the commercial goods vehicles, on the route or routes or in the manner set out opposite their names, will be heard at a time and place to be communicated to the persons concerned:—

*Name and Address; Present Franchise; Licence No.;
Date of Expiry.*

- LARI, G., 39 Royal-parade, Reservoir; 1 commercial goods vehicle (102 cwt.) to operate—(a) within a radius of 25 miles from the G.P.O., Melbourne—general goods, (b) within a radius of 70 miles from the G.P.O., Melbourne—bricks on behalf of the Clifton Brick and Tile Co. Pty. Ltd., at Preston; D.A.3807; 6th September, 1958.
- MOTOR SPARES LTD., 547 Elizabeth-street, Melbourne; 1 commercial goods vehicle (8 cwt.) to operate—(a) within a radius of 50 miles from the chief post office in the City of Ballarat in the course of business as "motor engineers"—second-hand reconditioned motors, spare parts, accessories, tools, electrical goods, cycles, and cycle accessories, (b) from and to the licensee's central depot at Ballarat to and from the City of Melbourne—second-hand and reconditioned auto blocks; D.A.6986; 6th September, 1958.
- SKIPSEY, A. E., 106 Langtree-avenue, Mildura; 1 commercial goods vehicle (8 cwt.) to operate within a radius of 200 miles from the post office at Mildura in the course of business as "electrical contractor" for the purpose of servicing and installing refrigerators, washing machines, windmill engines, generators, and household electrical appliances—tools of trade, spare parts, accessories, equipment, and material incidental to trade; D.A.14787; 9th August, 1958.
- TENNANT, P. F., 8 Kenilworth-street, Reservoir; 1 commercial goods vehicle (111 cwt.) to operate—(a) within a radius of 25 miles from the G.P.O., Melbourne—general goods, (b) within a radius of 70 miles from the premises of the Clifton Brick and Tile Co. Pty. Ltd., at Preston—bricks on behalf of the said company; D.A.13694; 6th September, 1958.
- WATTS, J. H., 20 Queen-street, Mornington; 1 commercial goods vehicle (96 cwt.) to operate from and to places situate within the corporate limits of the City of Melbourne and within a distance of 8 miles beyond the limits thereof direct only via the route set out below to and from places situate within the limits of

the Townships of Mt. Eliza, Mornington, and Mt. Martha and to and from places situate on or most conveniently reached from the roads between Mt. Eliza and Mornington and Mornington and Mt. Martha—general goods. Route referred to: The Nepean Highway, between the City of Melbourne and the Township of Mornington, and thence via the coast road as far as Mt. Martha; D.A.2255; 20th September, 1958.

NOTICE is hereby given that the applications made by the persons named below for renewal of licences with variation to operate the commercial goods vehicles, on the route or routes or in the manner set out opposite their names, will be heard at a time and place to be communicated to the parties concerned:—

Name and Address; Present Franchise; Amended Conditions; Licence No.; Date of Expiry.

DINSDALE, G. (Mrs.) (executrix of the estate of the late F. J. Dinsdale), Station-street, Ferntree Gully; 1 commercial goods vehicle (70 cwt.) to operate—(a) within a radius of 20 miles from the post office at Ferntree Gully—general goods, (b) within a radius of 100 miles from the G.P.O., Melbourne, on behalf of the City Brick Works Co. Pty. Ltd.—bricks; 1 commercial goods vehicle (70 cwt.) to operate—(a) as per present franchise, (b) within a radius of 70 miles from the premises of the City Brick Works Co. Pty. Ltd., at Tooronga-road, East Hawthorn—bricks on behalf of the said company; D.A.984/1; 7th June, 1958.

DOOLAN, E. A., 53 Jordan-street, Malvern; 1 commercial goods vehicle (89 cwt.) to operate within a radius of 100 miles from the premises of the Auburn Brick Works situate at Auburn-road, Auburn—bricks on behalf of the said company; 1 commercial goods vehicle (89 cwt.) to operate within a radius of 70 miles from the premises of the Oakleigh Brick Co. Pty. Ltd., at Stanford-road, Oakleigh—bricks on behalf of the said company; D.A.990; 6th September, 1958.

DOOLAN, E. A., 53 Jordan-street, Malvern; 1 commercial goods vehicle (87 cwt.) to operate within a radius of 100 miles from the G.P.O., Melbourne, on behalf of the Oakleigh Brick Co. Pty. Ltd.—bricks; 1 commercial goods vehicle (87 cwt.) to operate within a radius of 70 miles from the premises of the Oakleigh Brick Co. Pty. Ltd., at Stanford-road, Oakleigh—bricks on behalf of the said company; D.A.990/2; 20th September, 1958.

DOOLAN, L. T., 35 Clanbrae-avenue, Burwood; 1 commercial goods vehicle (79 cwt.) to operate—(a) within a radius of 25 miles from the G.P.O., Melbourne—general goods, (b) within a radius of 100 miles of the premises of Fritsch Holzer and Co., Camberwell-road, Hawthorn—bricks; 1 commercial goods vehicle (79 cwt.) to operate—(a) as per present franchise, (b) within a radius of 70 miles from the premises of Fritsch Holzer and Co. Brick Works, at 96 Camberwell-road, Hawthorn—bricks on behalf of the said company; D.A.12000; 6th September, 1958.

ELDER, H., 15 Livingstone-parade, Preston; 1 commercial goods vehicle (96 cwt.) to operate—(a) within a radius of 25 miles from the G.P.O., Melbourne—general goods, (b) within a radius of 100 miles from the G.P.O., Melbourne, on behalf of the Clifton Brick and Tile Co. Pty. Ltd., at Preston—bricks; 1 commercial goods vehicle (96 cwt.) to operate—(a) as per present franchise, (b) within a radius of 70 miles from the premises of the Clifton Brick and Tile Co. Pty. Ltd., at Railway-place, Preston—bricks on behalf of the said company; D.A.11704; 6th September, 1958.

FOWLER ROAD CONSTRUCTIONS PTY. LTD., Lorimer-street, Port Melbourne; 1 commercial goods vehicle (179 cwt.) to operate throughout the State of Victoria—road-contracting plant and materials; 1 commercial goods vehicle (179 cwt.) to operate throughout the State of Victoria for use as a bulk bitumen tanker and spray unit; D.A.1092; 7th June, 1958.

NOTICE is hereby given that the applications made by the persons named below for licences to operate commercial passenger vehicles on the route or routes, or in the manner set out opposite their names, will be heard at a time and place to be communicated to the parties:—

Name and Address; Nature of Application.

BIRCH, J. J., 25 Victoria-parade, Frankston; 1 commercial passenger vehicle, to be purchased, with seating capacity for 5 persons, to operate under the same terms and conditions as existing taxi-cabs licensed at Frankston.

KINGSTON, F. C., 19 Wimmera-street, Stawell; application for renewal of licence No. C.H.396 (expiring 2nd October, 1958), to operate as a country private hire from Stawell.

COLE, A. A., 45 Peace-avenue, Warragul; application for renewal of licence No. C.T.794 (which expired 22nd December, 1957), authorizing operations as a country taxi from Warragul.

LANE, A. L. (trading as South Western Roadways), 159 Raglan-parade, Warrnambool; application for renewal of licences Nos. C.O.1101, C.O.1102, C.O.1103, C.O.1104, C.O.1105, C.O.1106, C.O.1107, C.O.1108, C.O.1109, C.O.1110, C.O.1111, C.O.1112, and C.O.1113 (expired 31st January, 1958), authorizing operations as stage omnibuses, under the same terms and conditions.

CARTER, A. T. & K. A., Edgar-street, Heywood; application for renewal of licence No. T.C.H.56 (expiring 27th November, 1958), to operate as a country private hire from Heywood.

TOTH, A. & B. Ivkovic, Bonegilla; application for renewal of licence No. T.C.H.57 (expiring 20th November, 1958), to operate as a country private hire from Bonegilla.

ANSETT ROADWAYS PTY. LTD., 210 Gray-street, Hamilton; application for renewal of licences Nos. C.O.356, C.O.1118, C.O.1119, C.O.1121, C.O.1122, C.O.1123, C.O.1124, C.O.1125, C.O.1126, C.O.1127, C.O.1128, C.O.1129, C.O.1130, C.O.1131, C.O.1132, C.O.1133, C.O.1134, C.O.1135, C.O.1136, C.O.1137, C.O.1138, C.O.1139, C.O.1140, C.O.1141, C.O.1142, and C.O.1143 (expiring 20th September, 1958), authorizing operations as stage omnibuses, under the same terms and conditions.

PAGE, H. C., 189 Main-street, Bacchus Marsh; application for renewal of licence No. C.T.645 (expiring 25th October, 1958), authorizing operations as a country taxi from Bacchus Marsh.

DUNN, R., Fraser-street, Clunes; application for renewal of licence No. C.O.801 (expiring 12th September, 1958), authorizing operations as a stage omnibus, under the same terms and conditions.

SEYMOUR PASSENGER SERVICES PTY. LTD., 7 Wallis-street, Seymour; application for renewal of licence No. C.O.867 (expiring 30th October, 1958), authorizing operations as a stage omnibus, under the same terms and conditions.

READ & BRACK PTY. LTD., 6 Nunn-street, Benalla; application for renewal of licence No. C.T.9 (expiring 13th November, 1958), authorizing operations as a country taxi from Benalla.

READ & BRACK PTY. LTD., 6 Nunn-street, Benalla; application for renewal of licence No. C.H.393 (expiring 2nd October, 1958), to operate as a country private hire from Benalla.

READ & BRACK PTY. LTD., 6 Nunn-street, Benalla; application for renewal of licence No. C.T.585 (expiring 2nd October, 1958), authorizing operations as a country taxi from Benalla.

SOUTHERN COACHLINES PTY. LTD., 465 Swanston-street, Melbourne; application for renewal of licence No. C.O.22 (expiring 20th November, 1958), authorizing operations as a stage omnibus, under the same terms and conditions.

WILSON, I. D., Forest-road, The Basin; application for variation of all "C.O." licences, to include the ability to operate as follows:—(a) From the corner of Burwood-road and Scoresby-road, via Scoresby-road, Boronia-road, Woodvale-road, Narcissus-avenue, Springfield-road, Park-crescent to Boronia Railway Station.

TIME-TABLE.

Depart Burwood-road—

6.20 a.m., 6.50 a.m., 7.15 a.m., 8.20 a.m., 8.55 a.m.
3.55 p.m., 4.30 p.m., 5.15 p.m., 5.50 p.m., 6.20 p.m.

Depart Boronia—

6.35 a.m., 7.05 a.m., 8.50 a.m., 9.45 a.m., 3.30 p.m.
4.10 p.m., 5.00 p.m., 5.30 p.m., 6.05 p.m., 6.35 p.m.

(b) From Boronia Railway Station, via Dorset-road, Commercial-road, Burwood-road, and Dorset-road to Boronia Railway Station.

TIME-TABLE.

Depart Boronia—

9.25 a.m., 10.30 a.m.

Depart Commercial-road—

10.35 a.m., 11.05 a.m.

MCKENZIE, W. J., Terip Terip; 1 commercial passenger vehicle, with seating capacity for 7 persons, to operate for the carriage of school children only from Terip Terip, via Caveat Highlands, to connect with the Yea High School bus at Ghin Ghin, under contract to the Education Department.

WILSON, R. F., 35 Doveton-street, Castlemaine; application for renewal of licence No. C.T.597 (expiring 4th October, 1958), authorizing operations as a country taxi from Castlemaine.

PEGG, G. F., 79 Southernhay-street, Regent; 1 commercial passenger vehicle, with seating capacity for 5 persons, to operate as a metropolitan taxi-cab.

RUSSELL, A. J., 63 Fyansford-road, Geelong; 1 commercial passenger vehicle, with seating capacity for 5 persons, to operate as an urban taxi-cab, subject to the cancellation of urban private hire car licence No. U.H.517, in the name of the applicant.

GRUNDY, J. E., 10 Portland-street, West Coburg; application for renewal of metropolitan private hire car licence No. M.H.1370 (expiring 21st September, 1958), authorizing operations from the depot of Albany Radio Taxis, 418 Bell-street, Pascoe Vale South.

YAWOROWICZ, M., 114 Windermere-street, South Ballarat; application for renewal of urban taxi-cab licence No. U.T.116 (expiring 21st September, 1958), authorizing operations as a taxi-cab in the urban area of Ballarat.

LADNER, M. C. (Mrs.), 317 Eyre-street, Ballarat; application for renewal of urban taxi-cab licence No. U.T.134 (expiring 20th September, 1958), authorizing operations as a taxi-cab in the urban area of Ballarat.

FRASER, J., 92 De' Carle-street, Brunswick; application for renewal of metropolitan taxi-cab licence No. M.T.1361 (expiring 25th September, 1958), authorizing operations as a metropolitan taxi-cab.

WILLIAMS, P. G., Clarke-road, Springvale; application for renewal of metropolitan taxi-cab licence No. M.T.517 (expiring 12th September, 1958), authorizing operations as a metropolitan taxi-cab.

WALLACE, G. J., 515 Nepean Highway, North Brighton; application for renewal of metropolitan taxi-cab licence No. M.T.964 (expiring 25th September, 1958), authorizing operations as a metropolitan taxi-cab.

MCMAHON, J. J., 22 Trigg-street, Geelong West; 1 commercial passenger vehicle, with seating capacity for 5 persons, to operate as an urban taxi-cab, subject to the cancellation of urban private hire car licence No. U.H.515, in the name of the applicant.

MILLS, T. G., 30 William-street, Newtown, Geelong; 1 commercial passenger vehicle, with seating capacity for 5 persons, to operate as an urban taxi-cab, subject to the cancellation of urban private hire car licence No. U.H.409, in the name of the applicant.

MOTT, G. W., 197 McKillop-street, Geelong; 1 commercial passenger vehicle, with seating capacity for 5 persons, to operate as an urban taxi-cab, subject to the cancellation of urban private hire car licence No. U.H.410, in the name of the applicant.

MOTT, G. W., 197 McKillop-street, Geelong; 1 commercial passenger vehicle, with seating capacity for 5 persons, to operate as an urban taxi-cab, subject to the cancellation of urban private hire car licence No. U.H.512, in the name of the applicant.

GRAYS MOTORS PTY. LTD., 183 Rynie-street, Geelong; 7 commercial passenger vehicles, each with seating capacity for 5 persons, to operate as urban taxi-cabs, subject to the cancellation of the following urban private hire car licences, in the name of the applicant company:—U.H.417, U.H.418, U.H.419, U.H.420, U.H.501, U.H.502, and U.H.504.

ANNEAR, J. H., 15 Nocton-street, East Coburg; 1 commercial passenger vehicle, with seating capacity for 5 persons, to operate as a metropolitan private hire car, under composite conditions from an approved depot in Zone "N".

HARGREAVES, M. F. (Miss), 57 Noble-street, Newtown, Geelong; 1 commercial passenger vehicle, with seating capacity for 5 persons, to operate as an urban taxi-cab, subject to the cancellation of urban private hire car licence No. U.H.424, in the name of the applicant.

GIBSON, A. E., 9 Beach-parade, Drumcondra; 1 commercial passenger vehicle, with seating capacity for 5 persons, to operate as an urban taxi-cab, subject to the cancellation of urban private hire car licence No. U.H.519, in the name of the applicant.

REECE, G. R., 89 Fyans-street, South Geelong; 1 commercial passenger vehicle, with seating capacity for 5 persons, to operate as an urban taxi-cab, subject to the cancellation of urban private hire car licence No. U.H.508, in the name of the applicant.

KING, M. L., 1 Montrose-street, Surrey Hills; 1 commercial passenger vehicle, with seating capacity for 5 persons, to operate as a metropolitan taxi-cab.

BUTLER, W. T., 145 Geelong-road, Footscray; application for variation of conditions of permit No. 286, to include the ability to deviate service from the corner of Nicholson and Paisley streets, Footscray, via Nicholson-street, Buckley-street to the corner of Geelong and Williamstown roads.

BUTLER, W. T., 145 Geelong-road, Footscray; 1 commercial passenger vehicle, to be purchased, to operate as a special service omnibus, under charter conditions, within a radius of fifty (50) miles of General Post Office, Melbourne, subject to the cancellation of licence No. G.P.100, at present in the name of the applicant.

RENNIE, F. H., & SON PTY. LTD., 31 Edinburgh-street, Box Hill; application for variation of Route No. 67A (Box Hill-Burwood) (deviation A), to include the ability to operate an extension of service from the corner of Burwood-road and Station-street, via Station-street, Highbury-road, Huntingdale-road to the Jordanville Railway Station.

NOTE.—To be operated for shopping trips only. (Time-table and fares to be submitted.)

HEATHER, B. R., 168 High-street, Preston; 1 commercial passenger vehicle, with seating capacity for 33 persons, to operate on the following route:—

Greensborough-Keon Park-Campbellfield-Broadmeadows.

Commencing at the Greensborough Railway Station, via Carter-street, Main-street, Grimshaw-street, Greensborough-road, Plenty-road, Settlement-lane, Epping-road, Mahoneys-road to Campbellfield Railway Station, thence via Sydney-road, Barry's-road, Pascoe Vale-road, to Broadmeadows Railway Station.

(Sections, fares, and time-tables to be arranged.)

Notice of any objection should be forwarded to reach the Secretary to the Board not later than Wednesday, 16th July, 1958.

E. V. FIELD,
Secretary.

Exhibition Buildings, Rathdown-street, Carlton, N.3, Wednesday, 2nd July, 1958.

Town and Country Planning Acts.

SHIRE OF BULLA.

INTERIM DEVELOPMENT ORDER.

BY virtue of the powers conferred by the Town and Country Planning Acts and of every other power enabling it in that behalf, the Council of the Shire of Bulla (hereinafter referred to as the Responsible Authority) having commenced the preparation of a planning scheme, in accordance with the said Act, on the ninth day of June, 1958, hereby makes the following Interim Development Order for the purpose of regulating, restricting, restraining, or prohibiting the use or development of any land or the erection, construction, or carrying out of any buildings or works on any land within the area described or shown on the map as the Schedule hereto:—

1. After the coming into operation of this Interim Development Order, no person shall use or develop any land or erect, construct, or carry out any buildings or works on any land within the area included in the Schedule, except in accordance with the provisions of a permit issued by the Responsible Authority.

2. Any application for a permit to use or develop any land or to erect, construct, or carry out any buildings or works shall be accompanied by a sketch plan or copy of certificate of title of the land and a description of the proposed use or development and type and construction of any buildings or works proposed to be erected, constructed or carried out and such other particulars relating to the application as the Responsible Authority may require.

3. This Interim Development Order shall not prevent the continuance of the use of any land or buildings for the purpose for which such land or buildings were lawfully used immediately before the coming into operation of this Order.

4. *Schedule.*—All that land containing 440 acres, more or less, being part of Crown portion 7, Parish of Will-Will-Rook, County of Bourke, the boundaries of which are as follow:—

Commencing on the Moonee Ponds Creek at the southern angle of Crown portion 7; thence northerly by the eastern boundary of the said Crown portion for a distance of 7,581 links; thence westerly by a line bearing 269 deg. 49 min. 40 sec. to the Moonee Ponds Creek; and thence generally south-easterly by that creek to the point of commencement.

(SEAL)

R. H. POOLE, President.
J. J. McMAHON, Councillor.
T. F. MCCORMACK, Shire Secretary.

Report by the Town and Country Planning Board, on the 12th June, 1958. Recommended for approval.—FRED. C. COOK, Chairman.

Approved by the Governor in Council, on the twenty-fifth day of June, 1958.—N. G. WISHART, Acting Clerk of the Executive Council.

CONTRACTS ACCEPTED.—(Series 1958-60.)

Contract No.	Particulars.	Amount.	Name of Contractor.	Vote or Fund.	Authorized according to Regulations on the Date stated.
	FUNERALS AND REMOVALS— MELBOURNE AND METROPOLITAN AREAS.				

Funerals for Springvale Necropolis from the following Police Sub-districts South of the River Yarra (including Police Burials from the Morgue), from 1st July, 1958, to 30th June, 1960.

Albert Park, Armadale, Auburn, Balaclava, Balwyn, Bentleigh, Black Rock, Box Hill, Brighton, Burwood, Camberwell, Canterbury, Caulfield, Cheltenham, Elwood, Elsternwick, Garden Vale, Gardiner, Glenhuntly, Glen Iris, Hampton, Hawthorn, Hawthorn West, Kew, Malvern, Malvern East, Mentone, Middle Park, Montague, Mordialloc, Murrumbena, Oakleigh, Port Melbourne, Port Melbourne North, Prahran, St. Kilda, St. Kilda East, St. Kilda West, St. Kilda-road, Sandringham, South Melbourne, South Wharf, South Yarra, Surrey Hills, Toorak, Windsor.

FUNERALS.					
	Security, £20.				
	"A" ORDINARY.				
25	Every Adult	} Free	A. Manning, 374 Burke-road, Glen Iris. Tel. BX1868	Contingencies, 1958-60	H. E. BOLTE, Treasurer. 19.6.58.
	Child above five years and under fourteen ..				
	Child five years and under (including still-born)				
	"B" UNDER CLAUSE 6.				
25	Every Adult	} Free	A. Manning, 374 Burke-road, Glen Iris. Tel. BX1868	Contingencies, 1958-60	H. E. BOLTE, Treasurer. 19.6.58.
	Child above five years and under fourteen ..				
	Child five years and under (including still-born)				

Removals to the Melbourne Morgue from Police Sub-districts South of the River Yarra, as listed above, from 1st July, 1958, to 30th June, 1960.

REMOVALS.					
	Security, £20.				
26	Every Adult	} Free	A. Manning, 374 Burke-road, Glen Iris. Tel. BX1868	Contingencies, 1958-60	H. E. BOLTE, Treasurer. 19.6.58.
	Child under ten years				

Funerals for the New Melbourne Cemetery at Fawkner from the following Police Sub-districts North of the River Yarra (not including Police Burials from the Morgue), from 1st July, 1958, to 30th June, 1960.

Melbourne City, Bourke-street West, East Melbourne, West Melbourne, Ascot Vale, Broadmeadows, Brunswick, Brunswick East, Brunswick West, Burnley, Carlton, Carlton North, Clifton Hill, Coburg, Collingwood, Eltham, Essendon, Fairfield, Fawkner, Fitzroy, North Fitzroy, Flemington, Heidelberg (including Mental Hospital, Mont Park, Larundel, and Janefield Colony), Hotham Hill, Ivanhoe, Kensington, Maribyrnong, Moonee Ponds, Northcote, North Melbourne, Preston, Preston North, Richmond, Richmond South, Royal Park, Thornbury, Victoria Dock.

FUNERALS.					
	Security, £20.				
	"A" ORDINARY.				
27	Every Adult	} Free	John (Roy. V.) Allison, 94 Vic- toria-street, North Richmond. Tel. JA1233, JA1003	Contingencies, 1958-60	H. E. BOLTE, Treasurer. 19.6.58.
	Child above five years and under fourteen ..				
	Child five years and under (including still-born)				
	"B" UNDER CLAUSE 6.				
27	Every Adult	} Free	John (Roy. V.) Allison, 94 Vic- toria-street, North Richmond. Tel. JA1233, JA1003	Contingencies, 1958-60	H. E. BOLTE, Treasurer. 19.6.58.
	Child above five years and under fourteen ..				
	Child five years and under (including still-born)				

Removals to the Melbourne Morgue from Police Sub-districts North of the River Yarra, as listed above, from 1st July, 1958, to 30th June, 1960.

The area from which Removals to the Morgue under this Sub-schedule shall apply is comprised within the following boundaries:—

The whole of the north bank of the waterway from the point where the Coode Canal (River Yarra) junctions with the Maribyrnong River, and continuing uninterruptedly along the north bank of the Coode Canal and River Yarra to the point where the Electricity Commissioners' power transmission line spans the River Yarra near Eltham; thence northerly along such power transmission line to the point where such line spans the Maribyrnong River above Braybrook; thence easterly along the north bank of the Maribyrnong River until it junctions with the Coode Canal (River Yarra). (To include, also, Removals from Janefield Colony to Mont Park.)

REMOVALS.					
	Security, £20.				
28	Every Adult	} Free	John (Roy. V.) Allison, 94 Vic- toria-street, North Richmond. Tel. JA1233, JA1003	Contingencies, 1958-60	H. E. BOLTE, Treasurer. 19.6.58.
	Child under ten years				

Removals to the Melbourne Morgue from the following Police Sub-districts, from 1st July, 1958, to 30th June, 1960.

REMOVALS.					
	Security, £20.				
29	Per Adult or Child under ten years of age:—	} Free	A. Manning, 374 Burke-road, Glen Iris. Tel. BX1868	Contingencies, 1958-60	H. E. BOLTE, Treasurer. 19.6.58.
	Aspendale				
	Blackburn				
	Carrum				
	Chelsea				
	Croydon				
	Dandenong				
	Fern Tree Gully				
	Frankston				
	Lilydale				
	Mitcham				
	Mordialloc				
	Mornington				
	Ringwood				
Spring Vale					

CONTRACTS ACCEPTED.—(Series 1958-60.)—continued.

Contract No.	Particulars.	Amount.	Name of Contractor.	Vote or Fund.	Authorized according to Regulations on the Date stated.		
FUNERALS AND REMOVALS—							
<i>Funerals from the following Police Sub-districts, and Removals to the Melbourne Morgue from such Sub-districts, from 1st July, 1958, to 30th June, 1960.</i>							
Altona, Footscray, Footscray West, Little River, Newport, Sunshine, Werribee, Williamstown, and Yarraville.							
	FUNERALS.						
	Security, £20. To the Footscray or Williamstown Cemeteries, as the Police may direct—						
	"A" ORDINARY.						
30	Every Adult	} Free	W. G. Raven, 227 Smith St., Fitzroy, N.6, Tel. JA2225, JW2345, JW1902	Contingencies, 1958-60	H. E. BOLTE, Treasurer. 19.6.58.		
	Child above five years and under fourteen ..						
	Child five years and under (including still-born)						
"B" UNDER CLAUSE 6.							
Every Adult	} Free						
Child above five years and under fourteen ..							
Child five years and under (including still-born)							
	REMOVALS.						
	Security, £20. To the Melbourne Morgue (for Burial at the Necropolis, Springvale, by contractor for Funerals south of the River Yarra)—						
31	{ Every Adult	} Free					
	{ Child under ten years						

CONTRACTS ACCEPTED.—(Series 1957-58.)

GENERAL STORES.

Gazette No. 19, 19th March, 1958, Schedule No. 56.—Motor Spirit, Kerosene, &c. For the rates shown opposite the following items, substitute the rates as set out hereunder, as from 24th June, 1958. Item No. 1—17s. 2d. per drum; Item No. 2—2s. 10d. per gallon; Item No. 3—2s. 9d. per gallon; Item No. 4—14s. 6d. per drum; Item No. 5—2s. 2½d. per gallon; Item No. 9—£22 17s. per ton; Item No. 10—£22 5s. per ton; Item No. 11—3s. 1½d. per gallon; Item No. 12—3s. 1½d. per gallon; Item No. 13—£15 2s. 6d. per ton.

W. H. RUTHERFORD, Secretary to the Tender Board.
30.6.58.

PUBLIC WORKS.

- 4235. Ararat, Mental Hospital, (4) external repairs and painting, £27,078 17s.—A. H. Foster and Co.
- 4236. Ararat, Mental Hospital, (2) external renovations to old and new cell blocks, "J" Ward, £1,895.—R. H. Pyne and R. C. Carr.
- 4237. Armadale, State School No. 2634, (5) erection of shelter shed and additions to existing, £521.—H. S. Bolger.
- 4238. Bacchus Marsh, Soil Conservation Authority, (1) erection of Nissen hut, &c., at Court House, £1,182.—H. R. Dobbin.
- 4239. Ballarat, Special School No. 4762, (3) exterior and interior renovations and painting, £1,190.—J. C. Thomas.
- 4240. Ballarat, School of Mines, (1) new toilet and connexion of sewerage to residence, 20 Winter-street, £310 14s. 6d.—M. H. Carroll.
- 4241. Ballarat, Teachers' Training College Hostel, 124-126 Webster-street, (5) internal and external painting and renovations, new covered way, concrete paving, £1,154.—J. C. Thomas.
- 4242. Ballarat, Mental Hospital, (1) electrical rewiring, Female Wards, £446.—T. J. Coutts Pty. Ltd.
- 4243. Ballarat, Mental Hospital, (7) supply and installation of mechanical services to Ward F.7, £5,661 15s.—Gray and Wood.
- 4244. Ballarat, Mental Hospital, (5) electrical installation to remodelling and additions to Ward F.7 (now F.4, 5, and 6), £1,987 10s.—T. J. Coutts Pty. Ltd.
- 4245. Balmoral, Consolidated School, (2) septic tank installation and alterations to water supply, &c., £1,523 6s.—A. W. Orchard.
- 4246. Balmoral, Consolidated School, (6) supply, delivery, installation, and testing of a heating system, £4,138.—Gray and Wood.
- 4247. Beaufort, Police Station, (3) external repairs and painting, £472 11s. 6d.—W. D. Cowell.

- 4248. Beechworth, Mental Hospital, (2) external repairs and painting, Psychiatrist Superintendent's quarters, £311 19s. 9d.—Warren and Barr.
- 4249. Beechworth, Mental Hospital, (4) installation of septic tank and erection of brick toilets to Garden Ward F.6, £857 10s.—Stone Bros.
- 4250. Boronia, High School, (7) erection of No. 2 shelter pavilions, 32 ft. x 16 ft., £936 8s.—J. Meredith.
- 4251. Caulfield, Technical School, (8) timber deck to concrete floor in fitting and turning shops, £2,189.—F. T. Pulling and Sons Pty. Ltd.
- 4252. Chetwynd, State School No. 2738, (3) erection of one shelter pavilion, 20 ft. x 10 ft., £344 10s. 7d.—R. H. Huntington.
- 4253. Colac, High School, (4) repairs and painting to residence, £293 10s.—Peter McBride and Co.
- 4254. Corio, State School No. 124, (1) light asphalt paving, £340 10s.—J. H. Lewis and Son.
- 4255. Cudgewa, State School No. 1956, (4) erection of one shelter pavilion, 20 ft. x 10 ft., £495.—Otte and Cooper.
- 4256. Devenish, State School No. 1764, (1) erection of P.8 Plymouth type residence, &c., £3,950.—W. Phelan and Sons Pty. Ltd.
- 4257. Dookie, Agricultural College, (1) supply and erection of one (1) Bellevue type P.9 (gable roof) residence, £3,112 18s. 9d.—W. Phelan and Sons Pty. Ltd.
- 4258. Drouin, High School, (12) erection of two (2) shelter pavilions, 32 ft. x 16 ft., £980.—T. J. Kenny.
- 4259. Dunrobin, State School No. 3777, (5) erection of Ellinbank type residence and garage, £4,350 15s. 9d.—R. H. Huntington.
- 4260. Fitzroy, Court House, (5) reslating of roof and renewal of gutters, &c., £611.—Dorcas and Ward Roof Service.
- 4261. Fitzroy, Court House, (4) sewerage, sanitary plumbing, and water supply conversion and alteration, £1,869 15s.—Bull and Murphy.
- 4262. Fitzroy, Police Station, (5) raising of six floors in cell block. £290.—J. Lynch.
- 4263. Geelong, "Ariston" Teachers' College Hostel, (3) electrical installation, £266.—A. R. Marsham.
- 4264. Footscray, Technical School, (4) supply and lay bituminous felt roofing, £632 8s.—Maher Roof Service and Co.
- 4265. Geelong, Matthew Flinders Girls' School, (1) asphalt paving, £975.—J. H. Lewis and Son.
- 4266. Geelong, Chest Clinic, (2) internal and external renovations, £445 8s. 4d.—R. Swayn.
- 4267. Geelong, Assembly Hall, Gordon Institute of Technology, (2) electrical installation, £378.—A. R. Marsham.
- 4268. Hampton Park, State School No. 4062, (5) repairs, provision of display boards, internal and external painting, £342.—B. G. Jarvis.

4269. Halls Gap, State School No. 3058, (1) supply and erection of a Plymouth type residence, omitting wood shed, £4,047 18s.—W. Phelan and Sons Pty. Ltd.
4270. Heatherton, Sanatorium, (1) supply and fitting new flush plates, alteration to wiring, &c., £293 14s.—L. E. Bienvenu and Co.
4271. Horsham, High School, (3) re-siting of sports pavilion, erection of quartermaster's store, garden tool store, and two (2) shelter pavilions, 32 ft. x 16 ft., £3,413 7s.—Geo. Lange and Sons Pty. Ltd.
4272. Irymple, State School No. 3174, (1) asphaltting, drainage, and grading, £666 16s.—R. Parker.
4273. Sunbury, Mental Hospital, (2) electrical alterations and additions, Wards M.1 and F.1, £451.—W. P. J. Maher.
4274. Sunshine, Technical School, (3) extension of enclosure and additional wash basins to out-office, £273.—R. L. Phillip.
4275. Tatura, Research Station, (5) installation of water main, £1,123 2s.—W. Ibbott.
4276. Warragul, High School, (10) erection of first and second sections, £66,300.—A. R. P. Crow and Sons Pty. Ltd.
4277. Warragul, High School, (8) electrical installation in stages 1 and 2, £5,400.—A. R. Kilevics.
4278. Warrnambool, Mental Hospital, (1) erection of two receiving wards and sewerage installation, £97,743.—E. S. Harris and Co. Pty. Ltd.
4279. Wembley, State School No. 4788, (5) erection of two 32-ft. x 16-ft. shelter pavilions, £1,016.—B. G. Jarvis.
4280. Werribee, Research Station, (1) erection of shed, £3,504.—A. F. Edmunds.
4281. Yallourn, State School No. 4085, (3) electrical installation in new L.T.C. class-rooms, £378 6s. 5d.—Traralgon Electrical Service.
4282. Yallourn, High School, (2) electrical installation in two (2) additional class-rooms, £398 9s.—Traralgon Electrical Service.
4283. Melbourne, State Accident Insurance Office, (1) alterations to P.A.X. telephone system, £327.—Communication Systems of Australia Pty. Ltd.
4284. Preston, State School No. 1494, (1) erection of craft-rooms, £1,865.—J. R. and G. Hooper Pty. Ltd.
4285. Swifts Creek, State School No. 1460, (1) electrical installation, £416 16s.—H. J. Jacobs.
4286. Moreland, State School No. 3837, (1) supply and installation of gas space heating equipment, £1,127.—Gas and Fuel Corporation of Victoria.
4287. Colac West, State School No. 4064, (1) urgent repairs to roofs, £763 9s. 1d.—J. E. Robinson.
4288. Beechworth, Mental Hospital, (1) site works, plant hire, £5,000.—Ramage Bros. Pty. Ltd.
4289. Heatherton, Sanatorium, (1) renewal of spouting, down pipes, and roof overhaul, £295 12s. 3d.—Acme Plumbing Service.
4290. Glenormiston, Estate Residences, (1) electrical installation, £290.—Alan Moon Electric.
4291. Glenormiston, Estate Residences, (1) electrical installation, £912 10s.—Woodmason Traders (Hamilton) Ltd.
4292. Glenormiston, Estate Residences, (1) aerial reticulation and electrical installation, £594 6s. 10d.—Geo. Hill Service Station.
4293. Ballarat, Mental Hospital, (1) supply and installation of fire alarm system, £337.—May Oatway Fire Alarms Pty. Ltd.
4294. Preston, Girls' Technical School, (1) installation of gas supply to cookers, &c., £282.—Gas and Fuel Corporation of Victoria.
4295. Gardiner, State School No. 3888, (1) supply and installation of gas space heating equipment, £1,170.—Gas and Fuel Corporation of Victoria.
4296. Shepparton, Police Station, (1) supply and lay bitumen unpregnated screenings to cell block, £198.—Jackson and Lawrie Bros.
4297. Melbourne, State Laboratories, (1) supply and installation of air conditioners, £420 7s.—Robert Taylor Pty. Ltd.
4298. Burnley Gardens, Plant Breeding, (1) additional store for bulbs, £404.—Cyclone Co. of Aust. Ltd.
4299. Nunawading, "Winlaton", Children's Welfare Department, (1) alterations of locks, &c., £392 7s. 6d.—J. Hubball Pty. Ltd.
4300. Tallangatta, Hospital, (1) supply and erection of two canopies, £351.—The Bronze Window Frame Co.
4301. Ballarat, Mental Hospital, (1) re-location of drying chamber fan, &c., £286 11s. 6d.—W. S. Atherton and Co.
4302. Stawell, Pleasant Creek Special School, (4) supply and installation of ironer in laundry, £1,315.—Robert Lilley and Co. (N.S.W.) Pty. Ltd.
4303. Yallourn North, State School No. 3967, (1) connecting to sewerage, £698 5s. 8d.—State Electricity Commission of Victoria.
4304. Melbourne, Public Works Department, Architects Branch, Head Office, (1) inter-office phones, £392.—Telephone Construction and Maintenance Co.
4305. Newcomb, State School No. 4776, (1) asphalt pavement, £611.—J. H. Lewis and Son.
4306. Mont Park, Mental Hospital, (1) renewal of sectional boilers, £320.—W. E. Tuck.
4307. Melbourne, State Laboratories, (1) installation of fume cupboards, exhaust fans, &c., £283.—Mideco Pty. Ltd.
4308. Upwey, High School, (1) installation of L.P. gas supply in science rooms, £406 7s. 6d.—Gas and Fuel Corporation of Victoria.
4309. Mirboo North, High School, (1) construction of football oval, £415 10s.—Shire of Mirboo.
4310. Ballarat, Mental Hospital, (1) supply and installation of inter-communication system, £450.—Standard Telephones and Cables Pty. Ltd.
4311. Burnley, Burnley Gardens, (1) supply and erection of standard garage, £275 7s.—Cyclone Co. of Australia Ltd.
4312. Frankston, High School, (1) supply and installation of gas service, &c., £501 6s. 3d.—Gas and Fuel Corporation of Victoria.
4313. Nunawading, "Winlaton", Children's Welfare Department, (1) erection of new concrete wing to old homestead building, £7,103 16s.—Housing Commission Victoria, Concrete House Project.
4314. Royal Park, "Turana", Children's Welfare Department, (1) erection of new concrete class-room and workshop block, £4,710.—Housing Commission Victoria, Concrete House Project.
4315. Wangaratta, Junior Technical School, (1) restoration of fire damage, £600.—J. Law and Son.
- T. K. MALTBY, Commissioner of Public Works. 24.6.58.

ORDERS IN COUNCIL.—(Series 1957-58.)

EDUCATION DEPARTMENT.

4234. One set of proving rings to cover the ranges up to 0.05, 3 and 6 tons, for Swinburne Technical College, £404 10s.—Heine Bros. A'asia Pty. Ltd.

Approved by the Governor in Council, 25th June, 1958.—N. G. WISHART, Acting Clerk of the Executive Council.

STATE ELECTRICITY COMMISSION.

4316. The supply of two 350-h.p. slip-ring induction motors and spares for coal conveyors. Morwell Open Cut, to Specification No. 57-58/103, £8,479.—Bush Group (Aust.) Pty. Ltd.

4317. The supply of labour and materials for fabrication and erection of structural steelwork in metropolitan area for a period of twelve months, to Specification No. 57-58/240, at Schedule Rates.—Donaldson Bros. Constructors.

4318. The erection of amenities building. Workshops Area, Morwell, to Specification No. 57-58/191, £13,700.—J. J. Marr and Sons Pty. Ltd.

4319. The design, supply, and installation of filtration plant, Yallourn Swimming Pool, to Specification No. 57-58/224, £5,799.—G. E. Todd and Co. Pty. Ltd.

Approved by the Governor in Council, 10th June, 1958.—N. G. WISHART, Acting Clerk of the Executive Council.

Housing Acts (Section 40 of Act 4996).

GENERAL NOTICE TO PARTIES EMPOWERED BY THE "LANDS COMPENSATION ACT 1928" TO SELL AND CONVEY OR GRANT AND RELEASE PURSUANT TO SECTION 40 OF ACT 4568 AS AMENDED BY PARAGRAPH (b) OF SECTION 40 OF ACT 4996.

GENERAL NOTICE TO TREAT FOR LAND IN A RECLAMATION AREA AT FITZROY.

IN pursuance of the provisions contained in the *Slum Reclamation and Housing Act 1938* (No. 4568) as amended by the *Housing Act 1943* (No. 4996) and of the *Lands Compensation Act 1928* (No. 3711), the Housing Commission (hereinafter referred to as "the Commission") hereby doth give notice that the lands tenements and hereditaments described in the Schedule hereto are required for the purpose of the Housing Acts and that the Commission is authorized by the provisions of section 20 of the said *Slum Reclamation and Housing Act 1938* (No. 4568) to purchase or take compulsorily the said lands.

And the Commission accordingly hereby gives notice to all the parties interested in such land and to all persons empowered by the *Lands Compensation Act 1928* to sell and convey or grant and release the land so required that it requires to take and purchase the land referred to in the said Schedule hereto and that it is willing to treat with such parties or persons for the purchase thereof and as to the compensation to be made and for the damage that may be sustained by reason of the execution of the works.

And further the Commission hereby requires such parties or persons on or before the expiration of twenty-one days from the nineteenth day of July, 1958, to deliver to the Offices of the Commission at 179 Queen-street, Melbourne, a statement in writing of the particulars of the estate and interest in the said lands tenements and hereditaments and of the claims made in respect thereof.

Dated the 24th day of June, 1958.

By order of the Commission,

G. G. BOLWELL,
Secretary.

SCHEDULE.

All that piece of land situated within the municipality of the City of Fitzroy, being Crown allotments 13 and 14 and parts of Crown allotments 11 and 12, section 10 at North Fitzroy, Parish of Jika Jika, County of Bourke, and being the land bounded by a line commencing at a point on the southern alignment of Holden-street being the north-west corner of the said Crown allotment 14; thence easterly by the said southern alignment of Holden-street to the north-east corner of the land shown coloured blue on the map in the margin of certificate of title, volume 4483, folio 402; thence southerly by the eastern boundary of the said land shown coloured blue and by the eastern boundary of the land shown coloured purple on the map in the margin of the said certificate of title, volume 4483, folio 402, to the south-east corner of the said land shown coloured purple on the map in the margin of the said certificate of title, volume 4483, folio 402; thence easterly by the southern alignment of a road to the north-east corner of the land described in certificate of title, volume 2194, folio 678, being a point on the western alignment of Bennett-street; thence southerly by the said western alignment of Bennett-street to the intersection thereof with the northern alignment of a government road the last mentioned intersection being the south-eastern corner of the land described in certificate of title, volume 2194, folio 678; thence westerly by the northern alignment of the government road aforementioned to the south-west corner of Crown allotment 14 aforesaid; thence northerly by the western boundary of the said Crown allotment 14 to the point of commencement.

Plans are available for inspection at the Estates Branch of the Housing Commission situated at 179 Queen-street, Melbourne, and forms for the making of claims will also be available on application to the Commission.

MELBOURNE AND METROPOLITAN BOARD OF WORKS.

GENERAL NOTICE.

THE Melbourne and Metropolitan Board of Works, having made sewers for carrying off the sewage from each and every property which, or any part of which, abuts on the streets or parts of streets in which such sewers are laid, and which are included within the sewerage areas hereinafter described, doth hereby declare that on and after the 2nd August, 1958, each and every property which, or any part of which, abuts on the said streets or parts of streets, shall be deemed to be a sewered property within the meaning of the *Melbourne and Metropolitan Board of Works Act 1928*.

The Sewerage Areas hereinbefore referred to are:—

Sewerage Area No. 1569.

City of Northcote—Commencing at the junction of Darebin-street and Fulham-road; thence southerly along Fulham-road to the boundary of Sewerage Area No. 788, westerly, southerly, and westerly following the said boundary to a point in Christmas-street 450 feet west of the west side of Grange-road, northerly by a line parallel to Grange-road to Steane-street, easterly along Steane-street a distance of 132 feet, northerly by a line parallel to Grange-road to Darebin-street, easterly along Darebin-street to a point 120 feet west of the west side of Grange-road, northerly by a line parallel to Grange-road to a point 120 feet north of the north side of Darebin-street, easterly by a line parallel to Darebin-street to a point 120 feet east of the east side of Grange-road, southerly by a line to Darebin-street, easterly along Darebin-street to the commencing point.

Sewerage Area No. 1570.

City of Heidelberg—Commencing at the intersection of Liberty-parade and Lae-street on the boundary of Sewerage Area No. 1314; thence westerly following the said boundary to Darebin Creek, generally north-westerly along Darebin Creek to the boundary of Sewerage Area

No. 1521, easterly following the said boundary to the intersection of Southern-road and Liberty-parade, southerly along Liberty-parade to the commencing point.

Sewerage Area No. 1571.

Shire of Mulgrave—Commencing at the junction of High Street-road and Yooralla-street; thence southerly along Yooralla-street, easterly along the southern boundaries of lots 11 Yooralla-street and 12 Cleveland-road, southerly along Cleveland-road, easterly along Railway-avenue, southerly along the eastern boundaries of lots 547 to 551, Cleveland-road, westerly along Electra-avenue, southerly along Cleveland-road to the boundary of Sewerage Area No. 1542, generally westerly following the said boundary and the boundary of Sewerage Area No. 1541 to Gardiner's Creek, northerly, north-easterly and northerly along Gardiner's Creek to High Street-road, easterly along High Street-road to the commencing point.

Sewerage Area No. 1572.

City of Sunshine—Commencing at the junction of Raleighs-road and Rosamond-road; thence southerly along Rosamond-road, easterly by a line and the southern boundaries of lots 32 to 20 and 48 to 44, Bloomfield-avenue, southerly and easterly along the boundaries of land occupied by Maribyrnong State School, south-easterly along Grandview-avenue, further south-easterly along the south-western boundary of lot 23, Grandview-avenue, and a line in continuation to Maribyrnong River, northerly along Maribyrnong River, north-westerly along Hillside-crescent, northerly along Como-parade, westerly along Duffy-street, northerly along Alameda-avenue, westerly along Raleighs-road, northerly along the eastern boundary of lot 4, Raleighs-road, easterly along portion of the southern boundary of lot 24, Middle-road, northerly along the eastern boundary of the said lot 24 and a line in continuation to the boundary of Sewerage Area No. 1482, westerly, southerly, westerly, and south-westerly following the said boundary to Randall-street, south-easterly along Randall-street, south-westerly along Raleighs-road to the commencing point.

Sewerage Area No. 1573.

City of Moorabbin—Commencing at the junction of Highett-road and Allen-street on the boundary of Sewerage Area No. 1057; thence northerly and generally north-westerly following the said boundary to Wickham-road, westerly along Wickham-road, southerly along Clyde-street, easterly along Peterson-street, southerly along Spring-road, easterly along Highett-road to the commencing point.

Sewerage Area No. 1574.

City of Moorabbin—Commencing at the junction of Linton-street and Gwenda-avenue on the boundary of Sewerage Area No. 1199; thence south-westerly, north-westerly, north-easterly, and northerly following the said boundary and the boundaries of Sewerage Areas Nos. 996 and 1018 to South-road, easterly along South-road to the boundary of Sewerage Area No. 1445, southerly, easterly, and generally northerly following the said boundary to South-road, easterly along South-road, southerly along Chapel-road, westerly along Horsmunden-road, Doonga-avenue, and the southern boundary of a reserve to Linton-street, northerly along Linton-street to the commencing point.

Further particulars regarding the streets, or parts of streets, in which sewers have been laid may be ascertained on inquiry at the Board's office.

By order of the Board,

V. C. TREYVAUD,
Secretary.

110 Spencer-street, Melbourne, C.1, 1st July, 1958.

LAW DEPARTMENT.—ATTORNEY-GENERAL. CURATOR OF CONVICT'S PROPERTY.

HIS Excellency the Governor of the State of Victoria, by and with the advice of the Executive Council thereof, doth by Order made on the 25th day of June, 1958, pursuant to the provisions of section 546 of the *Crimes Act 1957*, commit the custody and management of the property of the convict Robert Teitler to Walter Teitler, of 14 Chapel-street, St. Kilda, as a Curator hereby appointed in that behalf.

N. G. WISHART,
Acting Clerk of the Executive Council.

At the Executive Council Chamber,
Melbourne, 25th June, 1958.

APPOINTMENT.

HIS Excellency the Governor of the State of Victoria, by and with the advice of the Executive Council thereof, has by Order made on the 18th day of June, 1958, been pleased to make the under-mentioned appointment, viz.:—

DEPARTMENT OF THE TREASURER.

Collector of Imposts.

RICHARD FRANCIS OAKES
to act temporarily as Collector of Imposts, the Milk Board,
vice R. W. Anderson.

N. G. WISHART,
Acting Clerk of the Executive Council.

At the Executive Council Chamber,
Melbourne, 18th June, 1958.

APPOINTMENTS.

HIS Excellency the Governor of the State of Victoria, by and with the advice of the Executive Council thereof, has, by Orders made on the 25th day of June, 1958, been pleased to make the under-mentioned appointments, viz.:—

CHIEF SECRETARY'S DEPARTMENT.

Electoral Registrars (Acting).

OWEN WILLIAM GIBBONS

to be Electoral Registrar (Acting) for the Balwyn, Canterbury, and Kew North Subdivisions of the Electoral District of Balwyn; and for the Deepdene and Kew Subdivisions of the Electoral District of Kew, to take effect on and from the 23rd June, 1958, during the absence on leave of William John Millett Bailey;

JAMES THOMAS MCALLEN

to be Electoral Registrar (Acting) for the Burnley, Hawthorn and Richmond South Subdivisions of the Electoral District of Hawthorn; and for the Abbotsford, Collingwood and Richmond Subdivisions of the Electoral District of Richmond, to take effect on and from the 23rd June, 1958, during the absence on leave of Sydney Allan Wilkes;

LESLIE JOHN MAXWELL KING

to be Electoral Registrar (Acting) for the Box Hill, Doncaster, Lilydale, Surrey Hills and Warrandyte Subdivisions of the Electoral District of Box Hill; and for the Diamond Creek, Eltham, Healesville, Heidelberg and Warburton Subdivisions of the Electoral District of Evelyn, to take effect on and from the 30th June, 1958, during the absence on leave of Herbert William Hodgson;

GEORGE MORRIS BOURKE

to be Electoral Registrar (Acting) for the Broadmeadows, Fawkner, Gisborne, Glenroy, Kilmore, Lancefield, Sunbury, Whittlesea and Woodend Subdivisions of the Electoral District of Broadmeadows; and for the Altona, Deer Park, Sunshine and Werribee Subdivisions of the Electoral District of Grant, to take effect on and from the 17th June, 1958, during the absence on leave of John Joseph Ireland; and

GEORGE MORRIS BOURKE

to be Electoral Registrar (Acting) for the Oakleigh and Oakleigh East Subdivisions of the Electoral District of Oakleigh; and for the Bentleigh North, Carnegie and Glenhuntly Subdivisions of the Electoral District of Ormond, to take effect on and from the 30th June, 1958, during the absence on leave of William John Champion Furlonger.

Members of Workers Compensation Board.

ALLAN ELDRIDGE PARKES, a person nominated jointly in the prescribed manner by the insurers under the *Workers Compensation Act 1951* and the members of the governing body of the association known as The Victorian Employers' Federation, pursuant to the provisions of the *Workers Compensation Act 1951*, to be a member of the Workers Compensation Board, for the period 18th July, 1958, to 28th February, 1961; and

JAMES WILLIAM WILKINSON, the person nominated in the prescribed manner by the members of the Melbourne Trades Hall Council, pursuant to the provisions of the *Workers Compensation Act 1951*, to be a member of the Workers Compensation Board, for a period of five years from 18th July, 1958.

Governor (Acting) of Training Prison.

DANIEL MARTIN KEARNEY, pursuant to the provisions of the *Goals Act 1928*, to be Governor (Acting) of the Bendigo Training Prison, from the 30th June, 1958, to the 13th July, 1958, both dates inclusive, during the absence on leave of Ian Gordon Grindlay.

No. 58.—5824/58.—2

DEPARTMENT OF CROWN LANDS AND SURVEY.

Bailiff of Crown Lands.

KENNETH JOHN BARKER, Inspector of Land Settlement, Department of Crown Lands and Survey, to be a Bailiff of Crown Lands, without additional salary.

DEPARTMENT OF HEALTH.

Senior Medical Officer.

CHARLES STEELE HAUGHTON, M.B., B.S., D.P.M., to be Senior Medical Officer, Mental Hygiene Branch, Department of Health, pursuant to the provisions of section 18 (2) of the *Mental Hygiene Authority Act 1950*.

Superintendent of Children's Cottages.

WILFRED ARTHUR JOSEPH BRADY, M.B., B.S., to be Superintendent of the Children's Cottages, Kew, pursuant to the provisions of section 35 of the *Mental Hygiene Act 1928*, as from and inclusive of the 1st July, 1958.

Member of Committee of Management of Hospital.

HERBERT RONALD WESTCOTT to be a member of the Committee of Management of Rochester and District War Memorial Hospital, pursuant to the provisions of section 48 (1) (b) of the *Hospitals and Charities Act 1948*, for a further term of three years from the 8th July, 1958.

Government Representatives on Hospital Committees.

NORMAN MCLAREN YOUNG

to be Government Representative on the Committee of Management of Bendigo and Northern District Base Hospital, pursuant to the provisions of section 48 of the *Hospitals and Charities Act 1948*, for a further term of three years from the 26th July, 1958;

LAURENCE JAMES KENNA

to be Government Representative on the Committee of Management of Norah Cosgrave Terang and District Community Hospital, pursuant to the provisions of section 48 of the *Hospitals and Charities Act 1948*, for a further term of three years from the 8th July, 1958;

JAMES SCOTT BELL

to be Government Representative on the Committee of Management of Springvale and District Community Hospital, pursuant to the provisions of section 48 of the *Hospitals and Charities Act 1948*, for a term of three years; and

KENNETH CHARLES MAWSON

to be Government Representative on the Committee of Management of Cohuna District Hospital, pursuant to the provisions of section 48 of the *Hospitals and Charities Act 1948*, for a term of three years, vice E. E. Heinrich, resigned.

LAW DEPARTMENT.

Arbitrator to Determine Compensation Payable in Respect of Land.

His Honour NORMAN FREDERICK MITCHELL, a Judge of County Courts, to be an Arbitrator, pursuant to the provisions of the *Latrobe Valley Drainage Act 1951* and the *Latrobe Valley Water and Sewerage Act 1953*, to determine the compensation payable to J. W. L. Howitt in respect of certain lands compulsorily acquired by the Latrobe Valley Water and Sewerage Board.

Justices of the Peace.

JOHN DONALD McDONALD, Werrimull, and HAROLD CLEMENT BOND, Jubilee Lake-road, Daylesford, to Keep the Peace in the Midland Bailiwick of the State of Victoria;

GEORGE RUTHERFORD McCARTNEY, Gilbert-street, Torquay, and

CECIL HERBERT DIXON, 9 Anderson-street, Torquay to Keep the Peace in the Southern Bailiwick of the State of Victoria; and

WILLIAM FARRELL WILKINSON, Traffic Officer, Melbourne City Council, Town Hall, Melbourne, LYONEL ROBERT FREDRICK BUTLER, Traffic Officer, Melbourne City Council, Town Hall, Melbourne, JAMES JOHNSON, 141 Albert-street, Windsor, and EVELINE ALICE GAINNEY, 15 Keeron-street, Caulfield, to Keep the Peace in the Central Bailiwick of the State of Victoria.

Commissioners for Taking Declarations, &c.

ERNEST GRAY, Post Office, Shelford,
CLIVE FRANCIS PARFREY, Moroney-street, Bairnsdale,

AUGUSTINE PELOSO, 135 Errol-street, North Melbourne, and
JOHN McERVALE, Chute, via Beaufort, to be Commissioners for taking Declarations and Affidavits, pursuant to the provisions of the *Evidence Act 1928*, to resign upon removing from the neighbourhood of the addresses stated;

GEOFFREY COLLINS JOHNSON and JOHN STANLEY SIMPSON RICHARDS, Officers of the Commonwealth Bank of Australia, 367 Collins-street, Melbourne, to be Commissioners for taking Declarations and Affidavits, pursuant to the provisions of the *Evidence Act 1928*, to resign upon ceasing to occupy their present positions; and

LEO SAMUEL FARRELLY O'BRIEN, Cohuna, to be a Commissioner for taking Declarations and Affidavits, pursuant to the provisions of the *Evidence Act 1928*, to resign upon removing from the neighbourhood of the address stated.

Special Magistrate of Children's Court.

EDWARD WILLIAM SLATTERY to be a Special Children's Court Magistrate, pursuant to the provisions of section 5 of the *Children's Court Act 1956*, for the Petty Sessions Districts of Ballarat, Bendigo, Box Hill, Brighton, Brunswick, Camberwell, Camperdown, Carlton, Chelsea, Coburg, Collingwood, Cowes, Elsternwick, Fitzroy, Flemington, Footscray, Geelong, Hawthorn, Kew, Malvern, Melbourne, Moonee Ponds, Northcote, North Melbourne, Oakleigh, Port Melbourne, Prahran, Preston, Richmond, Ringwood, St. Kilda, Sandringham, South Melbourne, Swan Hill and Williamstown (that is to say)—those continuous areas made up of all places therein whereat any matter judiciable by a Court of Petty Sessions arising, the Court of Petty Sessions duly appointed at each of the places mentioned aforesaid and there sitting would, were an information or complaint founded on such matter laid or made, be the proper Court to deal therewith by reason of such Court being holden at the place most easy of access from the place where the subject matter thereof arose, to take effect as on and from 1st July, 1958.

MINES DEPARTMENT.

Mining Registrars.

ALLEN EDWARD MUMFORD, First Constable of Police, to act as Mining Registrar at Wedderburn for the Wedderburn Division of the Maryborough Mining District, *vice* First Constable B. M. Robins, transferred; and THOMAS WILLIAM KIRBY, First Constable of Police, to act as Mining Registrar at Mansfield for the Alexandra Division of the Beechworth Mining District, *vice* Senior Constable M. J. Fisher, transferred.

DEPARTMENT OF PUBLIC WORKS.

Wharf Manager.

Sergeant WILLIAM JOSEPH McBRIDE, No. 9288, as Wharf Manager at St. Kilda, to carry out that portion of Part II. of the *Marine Act 1928* which relates to the management of Public Wharfs, and to be an officer under section 19 of such Act, to levy and collect wharfage rates thereat, at a remuneration of £10 per annum, *vice* Sergeant John O'Connor, No. 9186, transferred, to take effect as on and from 18th February, 1958.

DEPARTMENT OF THE TREASURER.

Receiver of Revenue.

SYDNEY McDONALD HUTCHESON to be Receiver of Revenue, Taxation Office, 436 Lonsdale-street, Melbourne, *vice* P. W. Bennett, from and inclusive of 1st July, 1958.

DEPARTMENT OF WATER SUPPLY.

Waterworks Trusts Commissioners.

HENRY EDWIN HEINE to be a Commissioner of the Hamilton Waterworks Trust for a period of four years from the date hereof, subject to the provisions of the Water Acts; and JOHN EDWARD ROOKE to be a Commissioner of the Stratford Waterworks Trust for a period of four years from the date hereof, subject to the provisions of the Water Acts.

N. G. WISHART,
Acting Clerk of the Executive Council.

At the Executive Council Chamber,
Melbourne, 25th June, 1958.

RESIGNATIONS.

HIS Excellency the Governor of the State of Victoria, by and with the advice of the Executive Council thereof, has by Order made on the 18th day of June, 1958, accepted the resignations of the persons named hereunder of the offices mentioned, viz.:—

CHIEF SECRETARY'S DEPARTMENT.

ROBERT HENRY BURROWS, as an Assistant to the Inspector of Fisheries.

LAW DEPARTMENT.

RUPERT KARL PURCHASE, from the Commission of the Peace for the Central Bailiwick of the State of Victoria.

N. G. WISHART,

Acting Clerk of the Executive Council.

At the Executive Council Chamber,
Melbourne, 25th June, 1958.

HOUSING ACTS.

At the Executive Council Chamber, Melbourne, the twenty-fifth day of June, 1958.

PRESENT:

His Excellency the Governor of Victoria.

Sir Thomas Maitby | Mr. McArthur.

DECLARATION OF A RECLAMATION AREA AT WILLIAMSTOWN.

WHEREAS within an area in the City of Williamstown described in the Schedule hereto there are houses which—

- (a) are unfit for human habitation; and
- (b) are in the opinion of the Housing Commission insanitary or unhealthy by reason of—
 - (i) the excessive number of buildings within the area;
 - (ii) the bad arrangement of buildings within the area; and
 - (iii) the bad arrangement or narrowness of streets within the area:

And whereas the Housing Commission considers that housing conditions within the area cannot satisfactorily be dealt with unless the said area is dealt with under Part III. of the *Slum Reclamation and Housing Act 1938* (No. 4568) as a Reclamation Area and has recommended that the said area should be constituted a Reclamation Area:

And whereas the Housing Commission having duly complied with the provisions of sub-section (3) of section 19 of the said Act has submitted to the Governor in Council its recommendation that the said area should be constituted a Reclamation Area:

Now therefore I, the Governor of the State of Victoria, in the Commonwealth of Australia, by and with the advice of the Executive Council of the said State, do hereby declare the said area to be a Reclamation Area.

SCHEDULE.

All those pieces of land situate within the municipality of the City of Williamstown being parts of Crown allotments 4, 5, 6, 7, 10, 11, 12 and 13 of section 3, City of Williamstown, Parish of Cut-Paw-Paw, and being the lands described hereunder, namely:—

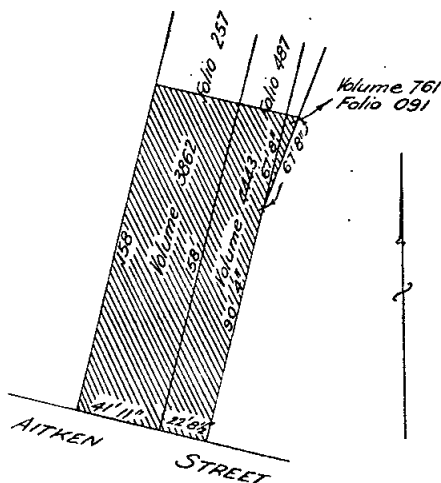
First.—The land delineated and shown coloured red on the maps in the margins of certificates of title, volume 4492, folio 386, and volume 6717, folio 221.

Secondly.—So much of the lands comprised in certificates of title, volume 3862, folio 257, volume 4443, folio 487, and volume 761, folio 091, as are delineated and shown hachured on the plan hereunder.

Thirdly.—The land bounded by a line commencing at a point on the southern alignment of Aitken-street being the intersection of same with the western alignment of a road known as Orient-place; thence easterly by the said southern alignment of Aitken-street to the north-eastern corner of the said Crown allotment 13; thence southerly by the eastern boundary of the said Crown allotment 13 to the intersection of same, with the northern alignment of Cecil-street; thence westerly by the said northern alignment of Cecil-street to the south-west corner

of the said Crown allotment 13; thence northerly by the western boundary of the said Crown allotment 13 to a point thereon being the north-eastern corner of the land delineated and shown coloured red on the map in the margin of certificate of title, volume 4245, folio 893; thence westerly by the northern boundary of the land delineated and shown coloured red on the map in the margin of the said certificate of title, volume 4245, folio 893, and by the northern boundary of the land delineated and shown coloured red on the map in the margin of certificate of title, volume 7250, folio 884, and by the northern boundary of the said Crown allotment 11 to the intersection of the said northern boundary of Crown allotment 11 with the western alignment of Orient-place aforesaid; thence northerly by the western alignment of the said Orient-place to the point of commencement.

Fourthly.—The lands delineated and shown coloured red on the maps in the margins of certificates of title, volume 5298, folio 447, and volume 4175, folio 864.



Note.—Measurements are in feet & inches

And the Honorable Horace Rostill Petty, Her Majesty's Minister of Housing for the State of Victoria, shall give the necessary directions herein accordingly.

N. G. WISHART,
Acting Clerk of the Executive Council.

HOUSING ACTS.

At the Executive Council Chamber, Melbourne, the twenty-fifth day of June, 1958.

PRESENT:

His Excellency the Governor of Victoria.
Sir Thomas Maltby | Mr. McArthur.

DECLARATION OF A RECLAMATION AREA AT CARLTON.

WHEREAS within an area in the City of Melbourne described in the Schedule hereto there are houses which—

- (a) are unfit for human habitation; and
- (b) are in the opinion of the Housing Commission insanitary or unhealthy by reason of—
 - (i) the excessive number of buildings within the area;
 - (ii) the bad arrangement of buildings within the area; and
 - (iii) the bad arrangement or narrowness of streets within the area:

And whereas the Housing Commission considers that housing conditions within this area cannot satisfactorily be dealt with unless the said area is dealt with under Part III. of the *Slum Reclamation and Housing Act 1938*

(No. 4568) as a Reclamation Area and has recommended that the said area should be constituted a Reclamation Area:

And whereas the Housing Commission having duly complied with the provisions of sub-section (3) of section 19 of the said Act has submitted to the Governor in Council its recommendation that the said area should be constituted a Reclamation Area:

Now therefore I, the Governor of the State of Victoria, in the Commonwealth of Australia, by and with the advice of the Executive Council of the said State, do hereby declare the said area to be a Reclamation Area.

SCHEDULE.

All that land situate within the municipality of the City of Melbourne and being Crown allotments 4 and 5 and parts of Crown allotments 2 and 3, all of section 58, at Carlton, Parish of Jika Jika, and being the land bounded by a line commencing at a point being the intersection of the southern alignment of Palmerston-street with the eastern alignment of Canning-street; thence easterly by the said southern alignment of Palmerston-street to a point thereon being the north-eastern corner of the said Crown allotment 5; thence southerly by the eastern boundary of the said Crown allotment 5 and by the eastern boundary of the said Crown allotment 2 to the intersection of same with the southern alignment of a road shown coloured brown on the map referred to in certificate of title, volume 246, folio 046; thence westerly by the southern alignment of the said road and the westerly prolongation thereof to a point situated on the western alignment of another road also shown coloured brown on the map referred to in the said certificate of title, volume 246, folio 046; thence northerly, westerly and again northerly by the western alignment of the road last mentioned to a point thereon being the south-eastern corner of the land described in certificate of title, volume 5454, folio 663; thence westerly by the southern boundary of the land described in the said certificate of title, volume 5454, folio 663, to the intersection of same with the said eastern alignment of Canning-street; thence northerly by the said eastern alignment of Canning-street to the point of commencement.

And the Honorable Horace Rostill Petty, Her Majesty's Minister of Housing for the State of Victoria, shall give the necessary directions herein accordingly.

N. G. WISHART,
Acting Clerk of the Executive Council.

DEPARTMENT OF CROWN LANDS AND SURVEY.

At the Executive Council Chamber, Melbourne, the twenty-fifth day of June, 1958.

PRESENT:

His Excellency the Governor of Victoria.
Sir Thomas Maltby | Mr. McArthur.

REVOCATIONS OF TEMPORARY RESERVATIONS OF LANDS BY ORDERS IN COUNCIL.

HIS Excellency the Governor of the State of Victoria, by and with the advice of the Executive Council thereof, doth hereby, in pursuance of the provisions of the *Land Act 1928*, revoke the temporary reservations of lands by Orders in Council hereinafter referred to, viz.:—

BOGALARA.—Order in Council of 30th July, 1888, of 3 acres 3 roods 14 perches of land in the Parish of Bogalara, as a site for Public purposes.—(C.95913.)

FRANKLIN (NOW BENNISON).—Order in Council of 13th January, 1913, of 2 acres 2 roods of land in the Township of Franklin (now Township of Bennison), as a site for Public Recreation.—(Rs.2967.)

And the Honorable Keith Hector Turnbull, Her Majesty's Commissioner of Crown Lands and Survey for the State of Victoria, shall give the necessary directions herein accordingly.

N. G. WISHART,
Acting Clerk of the Executive Council.

MILK BOARD ACTS.

At the Executive Council Chamber, Melbourne, the twenty-fifth day of June, 1958.

PRESENT:

His Excellency the Governor of Victoria.
Sir Thomas Maltby | Mr. McArthur.

IN pursuance of the powers conferred by the Milk Board Acts and all other powers enabling him in that behalf, His Excellency the Governor of Victoria, by and with the advice of the Executive Council thereof, doth hereby approve of the following Determination of milk prices by the Milk Board, such Determination to take effect from the 1st day of July, 1958:—

DETERMINATION.

Flavoured Milk Prices.

(1) The minimum prices payable per gallon to dairymen (in the case of sales other than sales by retail) for flavoured milk, in bottles or in single service containers as approved under the provisions of the Milk Pasteurisation Act, for sale or distribution in a Milk District shall be the prices as shown in the column hereto headed with the name of that Milk District.

	Metropolitan Milk District.	Dandenong Ranges Milk District.	Bendigo Milk District.	Latrobe Valley Milk District.
	<i>s. d.</i>	<i>s. d.</i>	<i>s. d.</i>	<i>s. d.</i>
(i) By dairymen (other than the owners of milk shops and owners of house-trade dairies)—				
(a) For bottled milk—				
Third-pints	6 10	6 10	6 11	6 7½
Half-pints	5 10	5 10	5 11	5 7½
(b) For approved single-service containers—				
Third-pints	8 10	8 10	8 11	8 7½
Half-pints	7 2	7 2	7 3	6 11½
(ii) By owners of milk shops, owners of house-trade dairies, and any other persons—				
(a) For bottled milk—				
Third-pints	8 0	8 0	8 2½	7 11
Half-pints	7 0	7 0	7 2½	6 11
(b) For approved single-service containers—				
Third-pints	10 0	10 0	10 2½	9 11
Half-pints	8 4	8 4	8 6½	8 3

(2) The maximum prices at which flavoured milk in bottles or in single-service containers as approved under the provisions of the Milk Pasteurisation Act may be sold by retail in a Milk District shall be the prices as shown in the column hereto headed with the name of that Milk District.

	Metropolitan Milk District.	Dandenong Ranges Milk District.	Bendigo Milk District.	Latrobe Valley Milk District.
	<i>s. d.</i>	<i>s. d.</i>	<i>s. d.</i>	<i>s. d.</i>
(a) In bottles—				
Third-pints	0 6	0 6	0 6	0 6
Half-pints	0 7½	0 7½	0 7½	0 7½
(b) In approved single-service containers—				
Third-pints	0 7	0 7	0 7	0 7
Half-pints	0 8½	0 8½	0 8½	0 8½

M. H. RANKIN, Chairman of Milk Board.
R. K. HARVEY, Member of Milk Board.
O. R. BROWNE, Member of Milk Board.
R. F. OAKES, Acting Secretary of Milk Board.

And the Honorable Gilbert Lawrence Chandler, Her Majesty's Minister of Agriculture for the State of Victoria, shall give the necessary directions herein accordingly.

N. G. WISHART,
Acting Clerk of the Executive Council.

TOWN AND COUNTRY PLANNING ACTS.

At the Executive Council Chamber, Melbourne, the twenty-fifth day of June, 1958.

PRESENT:

His Excellency the Governor of Victoria.
Sir Thomas Maltby | Mr. McArthur.

REVOCATION IN PART OF THE SHIRE OF BROADMEADOWS PLANNING SCHEME 1949.

WHEREAS by virtue of the Town and Country Planning Acts it is provided that the Governor in Council, upon the application of the Town and Country Planning Board or the responsible authority or of any other person or body of persons appearing to him to be interested, may revoke the whole or any part of any planning scheme if he thinks that, under the special circumstances of the case, the scheme should be so revoked: Now, therefore,

His Excellency the Governor of the State of Victoria, by and with the advice of the Executive Council and on the recommendation of the Town and Country Planning Board, doth hereby revoke the Shire of Broadmeadows Planning Scheme 1949 in so far as it applies to all that land containing 440 acres, more or less, being part of Crown portion 7, Parish of Will-Will-Rook, County of Bourke, the boundaries of which are as follow:—

Commencing on the Moonee Ponds Creek at the southern angle of Crown portion 7; thence northerly by the eastern boundary of the said Crown portion for a distance of 7,581 links; thence westerly by a line bearing 269 deg. 49 min. 40 sec. to the Moonee Ponds Creek; and thence generally south-easterly by that creek to the point of commencement.

And the Honorable Sir Thomas Karran Maltby, Her Majesty's Commissioner of Public Works for the State of Victoria, shall give the necessary directions herein accordingly.

N. G. WISHART,
Acting Clerk of the Executive Council.

COUNTRY ROADS BOARD.

At the Executive Council Chambers, Melbourne, the
twenty-fifth day of June, 1958.

PRESENT:

His Excellency the Governor of Victoria.
Sir Thomas Maltby | Mr. McArthur.

DECLARATION OF THE WIDENING OF THE
MORWELL-MARYVALE AND THE HEATHCOTE-
BENDIGO ROADS IN THE SHIRES OF MORWELL
AND STRATHFIELDSAYE RESPECTIVELY.

WHEREAS by section 21 of the *Country Roads Act* 1928 (No. 3662) as amended by the *Country Roads Act* 1956 (No. 5978) it is amongst other things enacted that when the Country Roads Board under the provisions of the Country Roads Act has taken the land necessary for constructing the road or deviation or widening it shall as soon as it thinks such road or deviation or widening is fit to be used as a public highway by Resolution declare the road or deviation or widening to be a main road or part thereof and that upon publication in the *Government Gazette* of the Order of the Governor in Council confirming such Resolution such road or deviation or widening shall thereupon be a main road or a part thereof within the meaning of the said Act; And whereas the said Board has by Resolution declared the road on the land described in the Schedules to such Resolution to be parts of main roads: Now therefore His Excellency the Governor of the State of Victoria by and with the advice of the Executive Council thereof doth hereby confirm the said Resolution.

Resolution for Declaration of the Widening of Main
Roads Under the Country Roads Act.

Whereas the land the site of the roads the courses of which are below set out was taken by the Board under the provisions of the Country Roads Act for the purpose of widening the main roads aforesaid which widenings have now been laid out and formed on the same: And whereas the said Board (being the Country Roads Board incorporated under the said Acts) thinks that the widenings aforesaid are fit to be used as parts of public highways such Board at a meeting now holden doth by this Resolution hereby declare the same as described in the Schedules hereto with the commencing and terminating points thereof respectively specified to be parts of the main roads within the meaning and for the purposes of the Country Roads Acts.

SCHEDULE.

Shire of Morwell.

12. *Morwell-Maryvale road* (11212).—All those pieces of land in the Parish of Maryvale, the boundaries of which are as follow:—

- (a) Commencing at a point on the eastern boundary of allotment 71 of the said parish distant 180 deg. 3 min. 314 ft. 8½ in. from the north-eastern angle of the said allotment; thence by lines bearing respectively 180 deg. 3 min. 310 feet, 214 deg. 25 min. 310 feet, 25 deg. 59 min. 299 ft. 8 in. and 8 deg. 29 min. 299 ft. 8 in. to the point of commencement.
- (b) Commencing at a point on the eastern boundary of allotment 77 of the said parish distant 360 deg. 0 min. 640 ft. 8½ in. from the south-eastern angle of the said allotment; thence by lines bearing respectively 353 deg. 55 min. 273 ft. 9 in., 336 deg. 4 min. 273 ft. 9 in., 149 deg. 59 min. 280 feet, and 180 deg. 0 min. 280 feet to the point of commencement.
- (c) Commencing at a point on the eastern boundary of allotment 89A of the said parish distant 8 deg. 55 min. 488.8 links and 25 deg. 50 min. 978.5 links from the south-eastern angle of the said allotment; thence by lines bearing respectively 11 deg. 42½ min. 554.7 links, 346 deg. 31½ min. 554.7 links, 152 deg. 24½ min. 493 links, 179 deg. 31½ min. 204.8 links and 205 deg. 50 min. 489.8 links to the point of commencement.
- (d) Commencing at a point on the western boundary of allotment 104a of the said parish distant 186 deg. 21 min. 548 links, 201 deg. 54 min. 996 links and 181 deg. 50 min. 828 links from the north-western angle of the said allotment; thence by lines bearing respectively 167 deg.

7½ min. 586.1 links, 332 deg. 25 min. 303 links and 1 deg. 50 min. 303 links to the point of commencement—

which said pieces of land are particularly delineated and shown coloured red on survey plans numbered 6175, 6176, and 6177, lodged in the office of the Country Roads Board.

SCHEDULE.

Shire of Strathfieldsaye.

1. *Heathcote-Bendigo road* (15801).—All those pieces of land in the Parish of Axedale, the boundaries of which are as follow:—

- (a) Commencing at the north-western angle of allotment 1, section 9, Town of Axedale, in the said parish; thence by lines bearing respectively 111 deg. 30 min. 878.6 links, 272 deg. 57 min. 377.8 links, 269 deg. 13 min. 440.3 links, 252 deg. 37 min. 569.3 links, 240 deg. 6 min. 357 links, 44 deg. 29 min. 931.8 links, 90 deg. 0 min. 100 links and 94 deg. 30 min. 100.3 links to the point of commencement.
- (b) Commencing at a point on the south-eastern boundary of allotment 20A, section 19, of the said parish distant 236 deg. 24 min. 366 links and 218 deg. 19 min. 634.3 links from the eastern angle of the said allotment; thence by lines bearing respectively 218 deg. 19 min. 377.7 links, 233 deg. 24 min. 250 links, 246 deg. 54 min. 250 links, 270 deg. 24 min. 399 links, 277 deg. 11 min. 297.2 links, 77 deg. 4 min. 687.8 links and 63 deg. 6 min. 772 links to the point of commencement—

which said pieces of land are particularly delineated and shown coloured red and yellow on survey plan numbered 6035, lodged in the office of the Country Roads Board.

The common seal of the Country Roads Board was hereto affixed, at Carlton, this seventeenth day of June, One thousand nine hundred and fifty-eight, in the presence of—

D. V. DARWIN, Chairman.
(SEAL) W. H. NEVILLE, Member.
R. E. V. DONALDSON, Secretary.

And the Honorable Sir Thomas Karran Maltby, Her Majesty's Commissioner of Public Works for the State of Victoria, shall give the necessary directions herein accordingly.

N. G. WISHART,
Acting Clerk of the Executive Council.

SOIL CONSERVATION AND LAND UTILIZATION ACTS.

At the Executive Council Chamber, Melbourne, the
twenty-fifth day of June, 1958.

PRESENT:

His Excellency the Governor of Victoria.
Sir Thomas Maltby | Mr. McArthur.

DISTRICT ADVISORY COMMITTEES.—BOGONG HIGH PLAINS SOIL CONSERVATION DISTRICT.

IN pursuance of the powers conferred by the Soil Conservation and Land Utilization Acts, His Excellency the Governor of the State of Victoria, by and with the advice of the Executive Council thereof, doth hereby appoint the following persons to be members of the District Advisory Committee of the Bogong High Plains Soil Conservation District, in accordance with the provisions of section 15 of the *Soil Conservation and Land Utilization Act* 1947, for a term of three years:—

- NEIL GOW, being a person elected to represent grazing, agricultural, and other relevant interests in the District.
HAMILTON HENRY FITZGERALD, being a person elected to represent grazing, agricultural, and other relevant interests in the District.
JOHN FREDERICK ROPEK, being a person elected to represent grazing, agricultural, and other relevant interests in the District.
HAROLD HOWARD WILLIAMS, being a person elected to represent grazing, agricultural, and other relevant interests in the District.
JOHN LAWRENCE MITCHELL, being the person representing the Department of Crown Lands and Survey.

GEORGE THOMAS THOMPSON, being the person representing the Soil Conservation Authority.

And the Honorable Henry Edward Bolte, Her Majesty's Minister for Conservation in the State of Victoria, shall give the necessary directions herein accordingly.

N. G. WISHART,
Acting Clerk of the Executive Council.

BENEFIT ASSOCIATIONS ACTS.

At the Executive Council Chamber, Melbourne, the twenty-fifth day of June, 1958.

PRESENT:

His Excellency the Governor of Victoria.
Sir Thomas Maltby | Mr. McArthur.

IN pursuance of the provisions of the Benefit Associations Acts, His Excellency the Governor of the State of Victoria, in the Commonwealth of Australia, by and with the advice of the Executive Council of the said State, after consideration by the Minister of reports in writing made by the Registrar of Sickness, Hospital, Medical and Funeral Benefit Associations, and the Government Statist relative to the proposed exemption of—

COMMONWEALTH LIFE (AMALGAMATED) ASSURANCES LIMITED and to the terms and conditions to be imposed, doth by this Order declare the said association to be exempt from the provisions of the said Acts, subject to the following terms and conditions:—

1. That no new contract covered by the definitions of Sickness, Hospital or Medical Benefit business in the *Benefit Associations Act 1951*, or any amendment thereto, shall be introduced unless either three months' notice of the intention to introduce such contract has been furnished to the Registrar or the introduction of such contract has been approved by the Minister.

2. That copies of all published accounts and statements and annual returns to the Commonwealth Insurance Commissioner, but not including those required under the Regulations to the Commonwealth Life Insurance Act, shall be forwarded to the Registrar as soon as they are available.

And the Honorable Murray Victor Porter, for and on behalf of Her Majesty's Chief Secretary for the State of Victoria, shall give the necessary directions herein accordingly.

N. G. WISHART,
Acting Clerk of the Executive Council.

APPROACHING LAND SALES.

SALES of Crown lands, in fee-simple, will be held at the under-mentioned places and dates, viz:—

	No. of Gazette.
Avoca.—Friday, 1st August, 1958 ..	55
Bendigo.—Thursday, 14th August, 1958 ..	55
Castlemaine.—Tuesday, 22nd July, 1958 ..	52
Daylesford.—Tuesday, 22nd July, 1958 ..	52
Donald.—Wednesday, 23rd July, 1958 ..	53
Heathcote.—Wednesday, 23rd July, 1958 ..	52
Kerang.—Tuesday, 29th July, 1958 ..	53
Maldon.—Tuesday, 22nd July, 1958 ..	52
Manangatang.—Wednesday, 30th July, 1958 ..	53
Maryborough.—Friday, 1st August, 1958 ..	55
Pyramid Hill.—Tuesday, 29th July, 1958 ..	53
Robinvale.—Wednesday, 30th July, 1958 ..	53
Sea Lake.—Wednesday, 30th July, 1958 ..	53
Swan Hill.—Tuesday, 29th July, 1958 ..	53

SALE OF FREEHOLD LAND BY AUCTION.

Morwell.—Monday, 28th July, 1958 .. 55

"BOTANIC GARDENS" RESERVE, MELBOURNE.

RESCISSION OF REGULATIONS.

THE Board of Land and Works, in pursuance of the powers conferred on it, doth hereby rescind the Regulations made on the 20th September, 1945, 27th June, 1951, 29th January, 1954, and the 23rd January, 1958, for the care, protection and management of the Botanic Gardens, in the City of Melbourne.—(Rs.1041.)

As witness thereof the common seal of the Board of Land and Works was hereunto affixed this twenty-fourth day of June, 1958, in the presence of—

(SEAL) KEITH TURNBULL, President.
W. T. LONG, Member.

PROPOSED REVOCATION OF TEMPORARY RESERVATION OF LAND BY ORDER IN COUNCIL.

IN pursuance of the provisions of the *Land Act 1928*, notice is hereby given that it is the intention of the Governor in Council to revoke the temporary reservation of land by Order in Council hereunder referred to, viz:—

The following Notice was published 1° on the 25th June, 1958, pursuant to Order of the 18th June, 1958.

CARAMUT.—The temporary reservation by Orders in Council of the 12th March, 1907, and the 31st March, 1909, of 2 acres 0 roods 3 perches in the Township of Caramut, as a site for a Rubbish Depot.—(C.190(*) (Rs.7724).

KEITH TURNBULL,
Commissioner of Crown Lands and Survey.

PROPOSED REVOCATIONS OF TEMPORARY RESERVATIONS OF LANDS BY ORDERS IN COUNCIL.

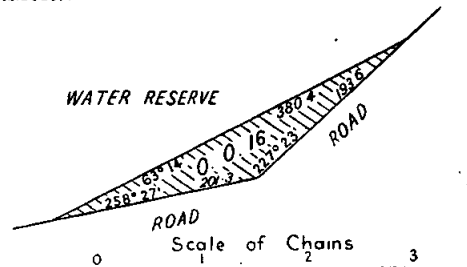
IN pursuance of the provisions of the *Land Act 1928*, notice is hereby given that it is the intention of the Governor in Council to revoke the temporary reservations of lands by the Orders in Council hereunder referred to, viz:—

The following Notices were published 1° on the 2nd July, 1958, pursuant to Orders of the 25th June, 1958.

NOORINBEE (NOW CANN RIVER).—The temporary reservation, by Order in Council of the 2nd August, 1937, of 1 rood of land in the Township of Noorinbee, as a site for a Public Hall.—(N.156(*) (Rs.4709).

ROSEDALE.—The temporary reservation, by Order in Council of the 13th August, 1907, of 108 acres 2 roods 9 perches of land in the Township of Rosedale, as a site for Watering purposes.—(R.35(*) (Rs.1561).

GHERANG GHERANG (MODEWARRE).—The temporary reservation, by Order in Council of the 11th August, 1890, of 8 acres 2 roods 26 perches of land in the Parish of Gherang Gherang as a site for Watering purposes, so far as the portion containing 16 perches, indicated by hachure on plan hereunder, is concerned.—(G.34B) (Rs.3646).



KEITH TURNBULL,
Commissioner of Crown Lands and Survey.

PUBLIC HEARING BY A PERSON APPOINTED UNDER THE 34TH SECTION OF THE LAND ACT 1928.

NOTICE is hereby given that at the time and place mentioned in the Schedule hereunder, applications for leases and licences under the Land Acts, objections to such applications, objections to proposed proclamations, alterations, additions, diminutions, revocations, or unions of commons, and reasons against forfeiture of any leases or licences under the Land Acts deemed liable to forfeiture, will be publicly heard by the person whose name is set opposite such place in such Schedule, being a person appointed by me, the responsible Minister of the Crown administering the Land Acts, to hear the same and report thereon in writing to me.

KEITH TURNBULL,
Commissioner of Crown Lands and Survey, and President of the Board of Land and Works.

Department of Crown Lands and Survey,
Melbourne, 27th June, 1958.

SCHEDULE.

LAND OFFICE, BENDIGO, Thursday, 17th July, 1958, at Ten a.m.—H. J. Henkel.

COMMITTEES OF MANAGEMENT OF RESERVES.

APPOINTMENTS.

WHEREAS by section 184 of the *Land Act 1928* it is provided that it shall be lawful for the Governor in Council or the Board of Land and Works to appoint and remove any number of persons, not less than three, or any municipal council, or the governing body of any corporation, to be a Committee of Management of any specified Crown land reserved either temporarily or permanently for any of the purposes set out in section 14 of the *Land Act 1928*, and not conveyed to or vested in trustees: Now therefore the Board of Land and Works doth hereby appoint the under-mentioned persons to be members of the Committee of Management of the Reserves named:—

"ALBERT RESERVE" IN THE CITY OF SOUTH MELBOURNE.

Charles Wiffen Simmonds, William John Smart, David John McClelland, and Robert Nelson Vroland as the Committee of Management of the land permanently reserved by Order in Council dated the 26th November, 1888, as a site for a Cricket Ground and for other purposes of Public Recreation in the City of South Melbourne, and known as the "Albert Reserve", such appointment to be effective as from the 3rd July, 1958, and in lieu of all previous appointments for the said land.—(Corres. Rs.2231.)

"BEACONSFIELD PUBLIC HALL RESERVE."

Mervyn Robert Howard, Harry Britton Elms, Charles Henry Barnes, Dorothy Mary Barnes, Florence Rita Barby, Desmond Kelvin Hill, Horace Albert Samuel Barby, Kathleen Helen Curtis, James Norman Parkes, Theresa Mary Curtis, Clarence Edward Turner, and Thomas William Slessar as a Committee of Management for a period of one (1) year of the land temporarily reserved by Order in Council dated 8th November, 1943, as a site for a Public Hall in the Parish of Pakenham, and known as the "Beaconsfield Public Hall Reserve".—(Corres. Rs.5406.)

"VITE VITE NORTH PUBLIC HALL RESERVE."

Stanley, William Waldron, Alan John Brunton, Norman Philip Must, Stanley Victor John Hinton, and Albert Henry Walker as a Committee of Management for a period of three (3) years of the land in the Parish of Vite Vite temporarily reserved as a site for a Public Hall by Order in Council dated the 22nd April, 1952, and known as the "Vite Vite North Public Hall Reserve".—(Corres. Rs.6898.)

"ENSAY MECHANICS' INSTITUTE RESERVE."

Finley Angus, Geoffrey John Hepburn, George Cannon Taylor, Bernard Keith Duggan, Alan Campbell Ingram, Hugh Thomas Fraser, and George Donald Fraser as a Committee of Management for a period of three (3) years of the land in the Township of Ensay, Parish of Hinno-Munjie temporarily reserved by Order in Council dated 16th November, 1891, as a site for a Mechanics' Institute, and known as the "Ensay Mechanics' Institute Reserve".—(Corres. Rs.7744.)

"GILSENAN RECREATION RESERVE", PAYNESVILLE.

Clarence William Southon, Colin Levi Eaton, George Calder Henry Gardner, Arthur James Freeman, Alan Francis Richardson, William Edward Healey, Charles Clifford Neill, Alfred Herbert Robinson, and Albert Joseph Briton Cliff as a Committee of Management for a period of three (3) years of the land temporarily reserved by Order in Council dated the 18th January, 1949, as a site for Public Recreation in the Parish of Bairnsdale, and known as the "Gilsenan Recreation Reserve" at Paynesville.—(Corres. Rs.6318.)

"MOE RECREATION RESERVE, No. 1."

George Clifton Purvis, Albert John Tabuteau, Tom Croom Gale, Claude Stanley Staff, Roy Campbell Latta, George Stanley Brownbill, Raymond William Goode, Allan McHardy, Vernon Alexander Hilton Somerville, Cedric James Hall, Thomas Michael Ellis, Frederick Klem Fechner, Harry Urquhart MacPherson, Gordon Stanley Walker, and Thomas Bezer Drew as members of the Committee of Management for the period of three (3) years of the land temporarily reserved as a site for Race-course and other purposes of Public Recreation in the Parish of Yarragon, and known as the "Moe Recreation Reserve, No. 1".—(Corres. Rs.684.)

"HEYFIELD PUBLIC RECREATION RESERVE."

Francis Merlin Zacher, Victor Frederick Fawaz, and George Ernest Noble for so long only as they continue to be Councillors and the elect of the Council of the Shire of Maffra, and Athol Gordon, Carl Vernon Graham, James Henry Anderson, John Joseph Mahoney, Arthur David Fitzpatrick, George Henry Taylor, Vincent Edward Cummins, Charles Henry Lincoln, and Peter Francis O'Dwyer as a Committee of Management for a period of three (3) years of the land in the Township of Heyfield, Parish of Tinamba, temporarily reserved by Order in Council dated 23rd November, 1885, as a site for Public Recreation, and known as the "Heyfield Recreation Reserve".—(Corres. Rs.3531.)

"HEYFIELD SWIMMING POOL RESERVE."

Francis Merlin Zacher, Victor Frederick Fawaz, and George Ernest Noble for so long only as they continue to be Councillors and the elect of the Council of the Shire of Maffra, and John Eric Graves, John Joseph Mahoney, Ernest Leslie Hug, Frederick George Fitzpatrick, John Andrew Gannon, Charles Henry Lincoln, Vincent Edward Cummins, Robert Gordon Rowley, Albert George Ainge, and Peter Francis O'Dwyer as a Committee of Management for a period of three (3) years of the land in the Township of Heyfield, Parish of Tinamba, temporarily reserved by Order in Council dated 18th September, 1939, as a site for Public purposes, together with portion of the Permanent Reservation along the Thomson River, both of which are coloured red on plan marked "T"/6.9.1939 attached to Lands Department correspondence Rs.4985, and known as the "Heyfield Swimming Pool Reserve".—(Corres. Rs.4985.)

"HEYFIELD PARK RESERVE."

Francis Merlin Zacher, Victor Frederick Fawaz, and George Ernest Noble for so long only as they continue to be Councillors and the elect of the Council of the Shire of Maffra, and Norman Fullerton Chester, John Joseph Mahoney, Ernest Leslie Hug, Frederick George Fitzpatrick, John Andrew Gannon, Charles Henry Lincoln, Vincent Edward Cummins, Robert Gordon Rowley, Albert George Ainge, and Peter Francis O'Dwyer as a Committee of Management for a period of three (3) years of the land in the Township of Heyfield, Parish of Tinamba, temporarily reserved by Order in Council dated 18th September, 1928, as a site for Public purposes, in addition to and adjoining the site temporarily reserved therefor by Order in Council dated 2nd September, 1878, and known as the "Heyfield Park Reserve".—(Corres. Rs.2764.)

"BELMONT RECREATION RESERVE."

The Council of the Shire of South Barwon as the Committee of Management, as from the 23rd June, 1958, of the land permanently reserved by Order in Council dated the 24th February, 1926, as a site for Recreation, Convenience, and Amusement of the People in the Parish of Corio, and known as the "Belmont Recreation Reserve".—(Corres. Rs.3237.)

All previous appointments are hereby revoked.

"HEYWOOD RECREATION RESERVE."

Norman Avenel Beavis, Lawrence William Porter, Bertram Charles Price, Leslie Keith Rundell, and Charles Edward Price as a Committee of Management for a period of three (3) years of the land in the Township of Heywood temporarily reserved by Order in Council dated the 23rd November, 1891, as a site for Public Recreation, and known as the "Heywood Recreation Reserve".—(Corres. Rs.76.)

"GARVOC RECREATION RESERVE."

John James Carroll, James Joseph Harney, Selwyn Keith Morgan, Kevin Patrick Bouchier, Stanley Smith, Gordon Lindsay Blain, Marshall Harris, and Norman Arthur Clark as a Committee of Management for a period of three (3) years of the land temporarily reserved by Order in Council dated 19th October, 1897, as a site for Public Recreation in the Township of Garvoc, and known as the "Garvoc Recreation Reserve".—(Corres. Rs.725.)

RESERVE FOR THE PRESERVATION OF NATIVE FLORA AND FAUNA IN THE PARISH OF BOLWARRA.

Noel Fulford Learmonth, Percy Eugene Frank Finck, Alexander Clifford Beauglehole, Norman Neil Wade, Eugene William Finck, Oswald Hector Lightbody, Bertram Edwin Carthew, and Nancy Keiller Leeson as a Committee of Management for a period of three (3)

years of the land in the Parish of Bolwarra temporarily reserved by Order in Council of the 15th January, 1957, as a site for the Preservation of Native Flora and Fauna, and known as the "Nine Mile Wild Flower Sanctuary".—(Corres. Rs.7349.)

"BALLAN RECREATION RESERVE."

Dennis James Wheelahan, John Samuel Hastie, William Maxwell Dawson, Ernest Gordon Robertson, Noel William Lay, James Francis Wheelahan, John Thomas Cooper, Max Douglas Barnes, Howard Frank Wilson, William Henry Wheelahan, John Alfred King, Lachlan Campbell Myers, and Phillip Spencer as a Committee of Management for a period of three (3) years of the land permanently reserved by Order in Council dated the 21st January, 1925, as a site for a Cricket Ground and other purposes of Public Recreation in the Town and Parish of Ballan, and of the land temporarily reserved by Order in Council of the 2nd June, 1925, as a site for the same purpose as the first-mentioned land, both sites being together known as the "Ballan Recreation Reserve".—(Corres. Rs.4035.)

"STRATHBOGIE NORTH RECREATION RESERVE."

Fredrick William Jacka, John Frederick Anker, Samuel Hodges, Percival Anker, Frank Edward Steen, Ernest Herbert Forster, James Robert Walker, Annie Isabell Forster, Lindsay Douglas Simpson, and Marsden Arthur Gardiner as a Committee of Management for a period of three (3) years of the land temporarily reserved by Order in Council dated 22nd November, 1921, as a site for Recreation purposes in the Parish of Strathbogie, and known as "Strathbogie North Recreation Reserve".—(Corres. Rs.2432.)

"EAST SHELBOURNE RECREATION RESERVE."

Henrick Valentine Hinck, Charles Roy Wright, Arthur Joseph Wiegard, Donald Hinck, Harry S. Wiegard, Francis Joseph Simpson, and George Raymond Leversha as a Committee of Management for a period of three (3) years of the land temporarily reserved by Orders in Council dated 1st May, 1894, and 13th October, 1924, as a site for Watering purposes and Public Recreation in the Parish of Shelbourne, and known as the "East Shelbourne Recreation Reserve".—(Corres. Rs.3018.)

"CHETWYND PUBLIC HALL RESERVE."

Francis Hubert George Sampey, Percival Buckle, Colin Shaw, Desmond F. Howlett, and Albert J. Fleming as the Committee of Management for a period of three (3) years of the land in the Township of Chetwynd temporarily reserved by Order in Council dated 23rd October, 1905, as a site for a Public Hall, and known as the "Chetwynd Public Hall Reserve".—(Corres. Rs.2600.)

"NOLAN'S PARK", BOORT.

John Makeham, Charles Raymond Stanley Hawthorn James, Laurence Rodney Meadows, Harry Sutton, Joseph Percival Slatter, Ernest Ian Whytcross, Cyril Sydney Balding, Eric William Boyle, and Robert Hendra Strachan as a Committee of Management for a period of three (3) years of the reserved Crown lands in the Township and Parish of Boort which are shown in red colour on plans marked "A"/20.2.1946 and "B"/8.2.1949 attached to Lands Department file No. Rs.440, together with the land temporarily reserved as a site for Public Park and Garden by Order in Council dated 11th October, 1955, and all together known as "Nolan's Park".—(Corres. Rs.440.)

"CARWARP MECHANICS' INSTITUTE RESERVE."

Alfonus Thomas Ryan, Noel Keith Doering, Alex. Watson Cross, Leonard Oliver Scott, Eric John McNabb, Neil Robert Nulty, Albert Henry Bull, and Francis Douglas Nulty as a Committee of Management for a period of three (3) years of the land temporarily reserved by Order in Council dated the 23rd May, 1916, as a site for a Mechanics' Institute in the Township of Carwarp, and known as the "Carwarp Mechanics' Institute Reserve".—(Corres. Rs.1033.)

"COBDEN RECREATION RESERVE."

John Sydney Sartori, Ian Campbell McArthur, Clifford John Biesse, Neville Raymond Vagg, Eugene Francis Northeast, Victor Norman Jones, and John Stewart Blake as a Committee of Management for a period of three (3) years of the land temporarily reserved as a site for Public Recreation, and situated between section 18 and the railway line in the Township of Cobden, and known as the "Cobden Recreation Reserve".—(Corres. Rs.1015.)

"COONOOR BRIDGE MECHANICS' INSTITUTE AND FREE LIBRARY RESERVE."

Frank Oswald Sanderson, Oswald Williams, Lewis Williams, Lloyd Charles Watts, Ian John Watts, Arthur George Hamilton, Charles Hamilton, John W. Hodgson, and John W. G. Radford as a Committee of Management for a period of three (3) years of the land in the Township of Coonoor temporarily reserved by Order in Council dated the 7th July, 1914, as a site for a Mechanics' Institute and Free Library, and known as the "Coonoor Bridge Mechanics' Institute and Free Library Reserve".—(Corres. Rs.4326.)

"TOOMUNG RECREATION RESERVE."

Sydney Denham Lamperd, Charles Richardson, the younger, Raymond Arthur Symons, Robert Benjamin Sutton, Leonard John Pump, and Elsie Hoskin as a Committee of Management for a period of three (3) years of the land temporarily reserved by Order in Council dated 27th May, 1930, as a site for Public Recreation in the Township and Parish of Callignee, and known as the "Toomung Recreation Reserve".—(Corres. Rs.3997.)

"NATHALIA SHOW YARDS AND PUBLIC RECREATION RESERVE."

William Clifford Thompson, Francis Cox, George Albert Bates, James Richard Tuckett, Francis James Thompson, Ernest Andrew James Mather, and Royce Albert Ernest Hutchins as a Committee of Management for a period of three (3) years from 23rd June, 1958, of the land temporarily reserved by Order in Council dated the 1st April, 1952, as a site for Show Yards and Public Recreation in the Township of Nathalia, together with the abutting reserve along the Broken River, both of which areas are shown by red and blue colours respectively on plan marked "N"/30.4.52 attached to Lands Department correspondence Rs.1094, and known as the "Nathalia Show Yards and Public Recreation Reserve".—(Corres. Rs.1094.)

In witness whereof the common seal of the Board of Land and Works was hereunto affixed this twenty-fourth day of June, One thousand nine hundred and fifty-eight, in the presence of—

(SEAL) KEITH TURNBULL, President.
W. T. LONG, Member.

Land Act 1928.

LEASE UNDER THE LAND ACTS 1915 AND 1928 DECLARED VOID.

NOTICE is hereby given that the Lease mentioned in the Schedule hereunder has been Declared Void by the Governor in Council for the reason specified.

District.	Corr. No.	Name of Lessee.	Section of Land Act under which leased.	Parish.	Allotment.	Area.	Class.	Annual Rental.	Reason for Voiding.
Horsham ..	17/44	E. W. J. Baker	44	Morea ..	Part of 350	A. R. P. 4 2 10	3rd	..	Lease surrendered (area required for road purposes)

Department of Crown Lands and Survey,
Melbourne, 24th June, 1958.

KEITH TURNBULL,
Commissioner of Crown Lands and Survey.

LIST OF CROWN LANDS AVAILABLE.

THE under-mentioned areas are available for application as provided by various sections of the *Land Act 1928*, and all applications received on or before Wednesday, 30th July, 1958, will be deemed to have been made simultaneously, but any application lodged after such date may be considered if received in time for inclusion in the advertisement of the cases to be heard at the Local Land Board. Applications on proper form, accompanied by 5s. duty stamp uncancelled (registration fee), may be delivered or forwarded by post to the Local Land Officer or to any Crown Lands Office in Victoria. Subject to the approval of the Secretary for Lands, when the survey fee exceeds £25 but does not exceed £30, a deposit of £25 may be paid, and when the fee exceeds £30, a deposit of 50 per cent. of the fee, the balance in either case being payable over six years in half-yearly instalments.

Marked plans of any particular area, application forms, and any further information may be obtained from the Crown Lands Department, Melbourne, and Land Officers, Ballarat.
 Department of Crown Lands and Survey,
 Melbourne, 27th June, 1958.

KEITH TURNBULL,
 Commissioner of Crown Lands and Survey.

* Improvements may be subject to re-valuation after land has been granted to an applicant.

Local Land Office.	County.	Parish.	Allotment.	Section.	Area.	How Available.		Survey Fee.	Valuation of Improvements (if any).	Location of Land, &c.	Nearest Railway Station or Township and Distance in miles therefrom.	How Accessible.	Water Supply.	General Description of Land—Soil, Timber, Suitability (Grazing, &c.).
						Classification.	Value per Acre.							
						A.	R.	P.	£ s. d.		£ s. d.			
Ballarat	Grenville	Lynchfield	19	A1	20 0 0 (subject to survey)	3rd	4 10 0	10 2 6	To be valued	In east of parish	Scarsdale R.S., 8 miles	By road	To be conserved	Lightly timbered with stringy-bark, gum, and peppermint; grazing and cultivation. (1,29492)

AGRICULTURAL AND GRAZING LANDS—SELECTION PURCHASE ALLOTMENTS.

DIVISION 4, PART I., LAND ACT 1928.

LAND AVAILABLE UNDER THE SOLDIER SETTLEMENT ACTS.

NOTIFICATION is hereby given in accordance with section 16 of the *Soldier Settlement Act 1946*, that the under-mentioned holdings are available or are about to become available for settlement.

Any discharged serviceman who has applied to the Commission on or before the 2nd July, 1958, for classification in the required class or classes of primary production for which the holdings are made available and whose application has been accepted but not necessarily finalized, or any discharged serviceman who has been classified as suitable in such class or classes of primary production may apply on the prescribed form for settlement on any holding or holdings, indicating where he applies in respect of more than one holding, his order of preference therefor.

The prescribed application forms, plans and further particulars may be obtained from the Enquiry Branch, Soldier Settlement Commission, State Public Offices, Melbourne. The closing date for the receipt of completed applications for settlement on these holdings is the 28th July, 1958, such applications to be in the hands of the Secretary, Soldier Settlement Commission, on or before that date.

I. K. MORTON,
Secretary.

Soldier Settlement Commission,
Melbourne, 23rd June, 1958.

SCHEDULE OF ALLOTMENTS.

SUBDIVISION OF "ELLINGERRIN" ESTATE.
PARISHES OF MURDEDUKE AND DOROQ, COUNTY OF GRENVILLE.

Suitable for Grazing (Sheep) and Mixed Farming.

Lot Number on Plan of Subdivision.	Approximate Area in Acres (Subject to Survey).
1	600
2	615
3	600
4	720
5	610

TENDERS—PUBLIC WORKS DEPARTMENT

TENDERS will be received at this office until **TEN** a.m. on the days and for the purposes under mentioned. Particulars may be learnt at this Office and also at places shown in parenthesis.

W.O. means Inspector of Works Office; P.S.—Police Station; T.S.—Technical School; H.E.S.—Higher Elementary School; S.S.—State School; H.S.—High School.

The Board of Land and Works will not necessarily accept the lowest or any tender.

NOTE.—No preliminary deposits are to be lodged with tenders, but a deposit, in accordance with the following Schedule, will be required from the successful tenderer:—

	£
For contract amounts exceeding £200 and not exceeding £500	5
For contract amounts exceeding £500 and not exceeding £1,000	10
For contract amounts exceeding £1,000—1 per cent. of tender	500 (maximum deposit)

All tenders should be on a "firm tender" basis.

8th July, 1958.

Bairnsdale.—Repairs and painting, Transport Regulation Board residence, Pinnock-street. (W.O., Bairnsdale.)

Ballarat.—Connexion of engineer's and chaplain's residences to sewer, Mental Hospital. (W.O., Ballarat; Mental Hospital, Ballarat.)

Ballarat.—Supply and delivery of mobile food-bins, Mental Hospital.

Ballarat.—Supply and installation of stainless steel benches for staff mess, Mental Hospital.

Beechworth.—Partitioning of staff sitting-room, Mental Hospital. (W.O., Wangaratta.)

Condah.—Purchase of timber residence and site, S.S. No. 1019. (W.O., Hamilton; P.S., Heywood, Branxholme.)

Doutta Galla.—Erection of boiler-house, S.S. No. 4708. (S.S., Doutta Galla.)

Geelong West.—Electrical installation, additional lighting, general purpose power outlets, and rewiring, S.S. No. 1492. (W.O., Geelong.) (Amended specification.)

Goorambat.—Repairs and painting, S.S. No. 3123. (W.O., Benalla; S.S., Goorambat.)

Heathcote.—Repairs and renovations to residence, S.S. No. 300. (W.O., Bendigo; S.S., Heathcote.)

Huntly.—New out-office block at school, new out-office at residence, and septic tank installation, S.S. No. 306. (W.O., Bendigo; S.S., Huntly.)

Laibert.—Repairs and renovations to residence, new stainless steel sink, &c., S.S. No. 2990. (W.O., Swan Hill; S.S., Laibert.)

Lara.—Erection of new teacher's residence and resiting of garage, &c., S.S. No. 769. (W.O., Geelong; S.S., Lara.)

Maryborough.—New brick and timber toilet at teacher's residence, sewerage and drainage, &c., High School. (W.O., Maryborough.)

Meerlieu.—Repairs and painting, S.S. No. 2535. (W.O., Bairnsdale; S.S., Meerlieu.)

Mentone.—Erection of a new shelter pavilion, 32 ft. x 16 ft., S.S. No. 2950. (S.S., Mentone.)

Menzies Creek.—Extension of porch to form a cloak-room, S.S. No. 2457. (S.S., Menzies Creek.)

Mitta North.—External and internal repairs and painting, S.S. No. 3974. (W.O., Wangaratta; S.S., Mitta North.)

Monbulk.—Erection of a new 32-ft. x 16-ft. shelter pavilion, S.S. No. 3265. (S.S., Monbulk.)

Mont Park.—Supply and installation of dry cleaning plant and associated services in the new dry cleaning annexe of the existing laundry, Larundel Mental Hospital. (Amended specification.)

Nunawading.—Electrical installation in new Girls' Reception Centre, "Winlaton", Children's Welfare Department.

Nunawading.—Supply and installation of stainless steel benches and other equipment for kitchen, "Winlaton", Children's Welfare Department.

Ouyen.—Supply of manual arts equipment, High School.

Prahran.—Demolition and removal of old brick residence No. 21, St. Johns-street, Technical School.

Ringwood North.—Installation of septic tank, S.S. No. 4120. (S.S., Ringwood North.)

Royal Park.—Mechanical services, female workers' block, Mental Hospital.

Seaford.—Renovations and painting, residence, S.S. No. 3835.

Speed.—Repairs and internal painting to Police residence and Police office, Police Station. (W.O., Warracknabeal; P.S., Speed.)

Tongala.—Erection of a four-classroom infants' wing, Consolidated School. (W.O., Shepparton; Consolidated School, Tongala.)

Tongala.—Four additional class-rooms, mechanical services, Consolidated School. (W.O., Shepparton; Consolidated School, Tongala.)

Tongala.—Electrical installation in new L.T.C. Junior Wing, Consolidated School. (W.O., Shepparton; Consolidated School, Tongala.)

Toongabbie.—Repairs and painting to residence and repairs to school shelter pavilion and removal of trees, S.S. No. 856. (W.O., Traralgon; S.S., Toongabbie.)

Wallan.—Purchase and removal of old school building, S.S. No. 644.

Warrnambool.—Erection of recreation hall, Mental Hospital. (W.O., Warrnambool.)

Wollert.—Renovations to and paint external and internal of school and residence, S.S. No. 1861. (S.S., Wollert.)

15th July, 1958.

Ballarat.—Supply, delivery, and installation of ventilation equipment in staff kitchen, Mental Hospital.

Ballarat.—Supply and delivery of roller fly screens to Junior Nurses' Home, Mental Hospital. (W.O., Ballarat.)

Bendigo.—Electrical installation in kitchen and dining block, Dormitory No. 1, No. 2, and laundry, Teachers' Training College, "Pleasant Vale". (W.O., Bendigo.)

Branxholme.—Erection of one (1) 16-ft. x 10-ft. shelter pavilion, S.S. No. 1978. (W.O., Warrnambool; S.S., Branxholme.)

Cavendish.—External and internal repairs and painting of school and residence, S.S. No. 116. (W.O., Hamilton; S.S., Cavendish.)

Collingwood.—External and part internal painting, S.S. No. 2462.

Elmhurst.—General repairs and painting to school and provision of septic closets, with woodshed for school and residence, S.S. No. 959. (W.O., Ararat; S.S., Elmhurst.)

Geelong North.—Erection of additional toilets, S.S. No. 1889. (W.O., Geelong; S.S., Geelong North.)

Gembrook.—Post and wire fencing, S.S. No. 2506. (S.S., Gembrook.)

Glenroy.—Supply of standard equipment for manual arts, High School.

Kew.—Installation of 150-h.p. packaged boiler on heavy fuel oil, Children's Cottages, Mental Hospital.

Lake Tyers.—General repairs to No. 16 cottages, Aboriginal Reserve. (W.O., Bairnsdale; Aboriginal Station, Lake Tyers.)

Maryborough.—New toilet at teacher's residence, 22 High-street, Maryborough, and connexion to town sewerage scheme, Technical School. (W.O., Maryborough.)

Maryborough.—New toilet and connexion to town sewerage, head teacher's residence (Burke-street), Technical School. (W.O., Maryborough.)

Melbourne.—External repairs and painting, Emily McPherson College of Domestic Economy.

Nunawading.—Sheeting of security fence and additional fencing, "Winlton", Children's Welfare Department. (Amended specification.) ("Winlton", Nunawading.)

Officer.—Enlarging of cloakroom, renewal of spouting, S.S. No. 2742. (S.S., Officer.)

Ormond East.—Repairs to out-office building and renewal of various sections of spouting, S.S. No. 4366. (S.S., Ormond East.)

Ormond East.—Improved lighting and additional power, S.S. No. 4366. (S.S., Ormond East.)

Pascoe Vale.—Extension of fire service, Melbourne Textile School. (Melbourne Textile School, Pascoe Vale.)

Portland.—Internal and external repairs and painting, Court House. (W.O., Warrnambool; P.S., Portland.)

Richmond.—Additional office accommodation, Police Station.

Richmond.—Electrical installation in additional office accommodation, Police Station.

Sebastopol.—Erection of a 32-ft. x 16-ft. shelter pavilion, S.S. No. 1167. (W.O., Ballarat; S.S., Sebastopol.)

South Melbourne.—Resurfacing of desks and class-room tables, MacRobertson Girls' High School.

Stawell.—Alterations to laundry, teacher's residence, 3 Florence-street, Technical School. (W.O., Ararat; Technical School, Stawell.)

Sunbury.—Electrical installation for Matron's residence, Mental Hospital. (Mental Hospital, Sunbury.)

Woodglen.—Erection of a 16-ft. x 10-ft. shelter pavilion, new screen fences, white ant repairs, S.S. No. 3352. (W.O., Bairnsdale; S.S., Woodglen.)

22nd July, 1958.

Ballarat.—Provision of sewerage and water supply facilities, Mental Hospital. (W.O., Ballarat; Mental Hospital, Ballarat.)

Bendigo North.—Additional toilet accommodation, S.S. No. 1267. (W.O., Bendigo; S.S., Bendigo North.)

Beaufort.—Erection of No. 1, 32 ft. x 16 ft. shelter pavilion, Higher Elementary School. (W.O., Ballarat, Ararat; H.E.S., Beaufort.)

Camp Hill (Bendigo).—Provision of fire-escape stairs, S.S. No. 1976. (W.O., Bendigo; S.S., Camp Hill.)

Creswick.—Renovations to Court House furniture, Court House. (W.O., Ballarat.)

Dandenong North.—Fencing, S.S. No. 4723. (S.S., Dandenong North.)

Eltham.—Internal and external repairs and painting to residence, office, and cell block, Police Station. (P.S., Eltham.)

Essendon.—Remodelling scullery end of cookery room, High School. (H.S., Essendon.)

Fairfield.—Alterations to Exotic Diseases Hospital.

Gilderoy.—Repairs and painting, S.S. No. 3020. (W.O., Alexandra; S.S., Gilderoy.)

Hampton.—Conversion of sheet metal room to a science room, High School. (H.S., Hampton.)

Kew.—Tubular steel tables and chairs, Mental Hospital.

Korong Vale.—Repairs, renewals, internal and external painting, &c., S.S. No. 1800. (W.O., Bendigo; S.S., Korong Vale.) (Amended specification.)

Lake Mundi.—Erection of one class-room and out-office block, S.S. No. 1786. (W.O., Hamilton; P.S., Casterton.)

Lorne.—Erection of residence, office, and single men's quarters, Police Station. (W.O., Geelong; P.S., Lorne.)

Maryborough.—New toilets and connexion to sewerage at school and residence, S.S. No. 404. (W.O., Maryborough.)

Mont Park.—Supply and lay vinyl tiles after sanding of timber floor to dining rooms, Ward M.F.I, Mental Hospital.

Myrtleford.—Provision of 32 ft. x 16 ft. shelter shed, Consolidated and Higher Elementary School. (W.O., Benalla; Consolidated and H.E.S., Myrtleford.)

Nathalia.—Erection of No. 2 (two), 32 ft. x 16 ft., shelter pavilions, Higher Elementary School, No. 2060. (W.O., Shepparton; H.E.S., Nathalia.)

Newcomb.—Erection of two 32 ft. x 16 ft. shelter pavilions, S.S. No. 4776. (W.O., Geelong; S.S., Newcomb.)

North Carlton.—Re-designing and re-wiring of electrical installation, S.S. No. 2955, Princes Hill. (S.S., Princes Hill.)

Port Franklin.—Erection of a 20 ft. x 10 ft. new shelter pavilion, S.S. No. 4280. (W.O., Korumburra; S.S., Port Franklin.)

Sea Lake.—General repairs, renovations, &c., Court House. (W.O., Swan Hill; P.S., Sea Lake.)

Swan Hill.—External and internal painting, repairs, &c., at residence, 9 Bath-street, High School. (W.O., Swan Hill; H.S., Swan Hill.)

Talbot.—Erection of new paling fences at residence, S.S. No. 954. (W.O., Maryborough; S.S., Talbot.)

Warracknabeal.—Fencing, High School. (W.O., Warracknabeal; H.S., Warracknabeal.)

Warragul.—Erection of an "A" type office, Inspector of Works Office, Public Works Department. (P.S., Warragul.)

Warrnambool East.—Erection of two 32 ft. x 16 ft. shelter pavilions, S.S. No. 4773. (W.O., Warrnambool; S.S., Warrnambool East.)

Werribee.—Erection of additional room, Research Farm, Residence No. 7.

29th July, 1958.

Parkville.—Erection of new Engineering Building, Unit No. 1, Hydraulic Laboratory and Surveying Department (quantities available), University of Melbourne.

Tenders to be addressed to the Honorable the Commissioner of Public Works, and envelope containing tender marked "Tender for due

T. K. MALTBY,
Commissioner of Public Works.

Public Works Department,
Melbourne, 1st July, 1958.

PUBLIC SERVICE NOTICES

PUBLIC SERVICE (PUBLIC SERVICE BOARD) REGULATION 39.—RECLASSIFICATIONS.

THE Public Service Board has raised the classification of the under-mentioned offices as shown, and the Permanent Heads of the Departments have recommended the officers named for appointment.

Office and Present Classification.	Revised Classification.	Duties.	Qualifications.	Officer Recommended for Appointment.		
				Name.	Classification.	Date of Classification.

ADMINISTRATIVE DIVISION.

DEPARTMENT OF PREMIER.

Class "C1"	Class "C2"	Duties.	Qualifications.	Name.	Classification.	Date of Classification.
		To act as Staff Officer; to be responsible for the keeping of records of personnel of the Premier's Department, including Parliament and the Office of the Agent-General for Victoria in London; to prepare correspondence and returns relating to staff matters; to plan and co-ordinate the Training and Organization and Methods programmes for the Premier's Department; and to perform special duties as required	To have appropriate experience; to have a comprehensive knowledge of the Public Service Acts and Regulations; to have a good knowledge of the Acts of Parliament relating to the various activities of the Premier's Department, its functions and departmental procedure; and experience in dealing with the public	Rossiter, J. . .	Class "C1"	29.7.57

PUBLIC SERVICE (PUBLIC SERVICE BOARD) REGULATION 39.—RECLASSIFICATIONS—continued.

Office and Present Classification.	Revised Classification.	Duties.	Qualifications.	Officer Recommended for Appointment.		
				Name.	Classification.	Date of Classification.
ADMINISTRATIVE DIVISION—continued.						
DEPARTMENT OF PREMIER—continued.						
<i>Audit Office.</i>						
Class "E" (two offices)	Class "C" (two offices)	To act as Assistant Inspector of audit, and to carry out such audits and investigations as the Auditor-General may direct	To be a qualified accountant, to have a thorough knowledge of the Audit Act and the General Regulations respecting Public Accounts, and a knowledge of the various activities which the Auditor-General is required by law to audit. Country work throughout Victoria is essential	Skala, A. Liddell, E. P.	} Class "E" }	16.11.56 24.1.57
DEPARTMENT OF PUBLIC WORKS.						
Class "E"	Class "C"	To supervise the registration system in the Works Administration Branch; the preparation of and the forwarding of reports, estimates, and requisitions in relation to requests for works and supplies; to assist generally	To be familiar with departmental organization, procedure and registration systems, and to possess ability to control and direct staff	Rogers, N. F.	Class "E"	15.2.54
DEPARTMENT OF HEALTH.						
Class "B"	Class "B1"	To be Assistant Accountant of the Department of Health; to be responsible, under the accountant, for the direction and supervision of staff, and to prepare estimates and financial statements	To be a qualified accountant; to have a knowledge of the activities and organization of the Department, and of the Acts and Regulations administered thereby; to possess the ability to control staff	Smith, D.	Class "B"	6.8.56
PROFESSIONAL DIVISION.						
DEPARTMENT OF WATER SUPPLY.						
Surveyor, Class "C2"	Senior Surveyor, Class "B"	To effect title surveys in accordance with regulations under the Transfer of Land Act, and to carry out general engineering surveys in connexion with investigations of reservoir sites and foundations of channel systems and other water supply undertakings	To be a Licensed Surveyor with experience of water supply engineering surveys	Saunders, S. C.	Surveyor, Class "C2"	21.5.56
Assistant Engineer, Grade III., Class "C"	Executive Engineer, Grade IV., Class "B"	Under the direction of the Senior Executive Engineer in charge of the Mornington Peninsula District, to be responsible for the supervision of construction of all new reticulation works within the district, including day-labour work, Commission contracts, and private contract work; to prepare plans, reports, and estimates and handle relevant correspondence in connexion with these works; to supervise the work of assistant engineers, draughtsmen, and other staff assigned to assist in such work	To possess a degree or diploma of civil engineering, and to have had extensive experience in the design and construction of urban reticulation works, including the supervision of contractors; to have a good working knowledge of the provisions of the Water Acts relating to supply in urban districts, and to have a thorough knowledge of the Commission's urban works within the Mornington Peninsula District	Rogers, E. J.	Assistant Engineer, Grade III., Class "C"	3.8.55
Assistant Surveyor, Class "C"	Surveyor, Class "C1"	To effect title surveys in accordance with regulations under the Transfer of Land Act, and to carry out general engineering surveys in connexion with investigations of reservoir sites and foundations of channel systems, and other water supply undertakings	To be a Licensed Surveyor with experience of water supply engineering surveys	Fayers, M. J.	Assistant Surveyor, Class "C"	6.2.56

Appeals against such recommendations should be lodged with the Secretary to the Public Service Board not later than Saturday, the 12th July, 1958.

Office of the Public Service Board,
Melbourne, 1st July, 1958.

By order,
V. P. SCULLY,
Secretary.

PUBLIC SERVICE (PUBLIC SERVICE BOARD) REGULATION 39.—VACANCY.

THE Permanent Head of the Department shown has recommended the officer named hereunder for appointment to the under-mentioned vacancy.

Office and Classification.	Duties.	Qualifications.	Officer Recommended for Appointment.		
			Name.	Classification.	Date of Classification.
PROFESSIONAL DIVISION.					
DEPARTMENT OF CHIEF SECRETARY.					
<i>Fisheries and Game Branch.</i>					
Deputy Director of Fisheries and Game, Class "A" (£1,550-£1,750)	To assist the Director in the direction and administration of the Branch, and to deputize in his absence	To possess a higher Degree in Biological Science of an approved university with post-graduate experience in research, conservation, and management in relation to the fish and wildlife resource; to have a detailed knowledge and experience of the organization and functions of the Branch	McNally, J.	Executive Research Officer, Class "B1"	20.3.58

Appeals against such recommendation should be lodged with the Secretary to the Public Service Board not later than Saturday, the 12th July, 1958.

Office of the Public Service Board,
Melbourne, 1st July, 1958.

By order,
V. P. SCULLY,
Secretary.

PUBLIC SERVICE OF VICTORIA.—VACANCIES.

APPLICATIONS will be received by the Public Service Board up to Wednesday, the 16th July, 1958, from persons employed in the Public Service of Victoria, who are eligible and qualified, for appointment to the under-mentioned positions:—

ADMINISTRATIVE DIVISION.

Secretary to the Mental Hygiene Authority and Secretary of the Mental Hygiene Branch, Class "A1", Department of Health.

Yearly Salary.—£1,800, minimum; £2,150, maximum.

Qualifications.—A thorough knowledge of the provisions of the Mental Hygiene and Public Service Acts, and Regulations thereunder; experience in the management of a Branch and a good knowledge of the Mental Hygiene Services of the State.

Class "C2", Office of the Housing Commission, Department of Treasurer.

Yearly Salary.—£940, minimum; £1,030, maximum.

Duties.—To be second in charge of the House Sales Section of the Estates Branch; and under the direction of the Sales Manager to be responsible for the administration of the Section.

Qualifications.—To be capable of dealing with the public in the interpretation of Commission policy; to be tactful and to have had experience in the control of staff; and to have a general knowledge of real estate practice.

Class "C2", Office of Titles, Department of Law.

Yearly Salary.—£940, minimum; £1,030, maximum.

Duties.—To supervise the endorsement and checking of dealings for registration and to settle complex forms of endorsement.

Qualifications.—A sound knowledge of the Transfer of Land Acts and other Acts affecting real property and of the practice of the Office of Titles.

Class "C1", Office of the Housing Commission, Department of Treasurer.

Yearly Salary.—£785, minimum; £875, maximum.

Duties.—To have charge of the Section dealing with contractors' accounts; to keep the register of contracts; to make journal entries for contract adjustments; to supervise and control staff.

Qualifications.—To have a knowledge of contract law and a capacity for research. Accountancy qualification is desirable.

Class "C1", Office of Titles, Department of Law.

Yearly Salary.—£785, minimum; £875, maximum.

Duties.—To prepare for engrossment drafts of new Certificates of Title for freehold and leasehold land and industrial and mining leases including all appurtenant easements to and encumbrances affecting the same.

Qualifications.—A good knowledge of the Transfer of Land Acts and cognate Acts and of the practice of the Office of Titles.

Classes "C"—"C1", Office of the Public Trustee, Department of Law.

Yearly Salary.—£598, minimum; £875, maximum.

Duties.—To act as Assistant Trust Officer (Deceased Estates).

Qualifications.—A general knowledge of the Public Trustee Acts and the Regulations thereunder and the law affecting the administration of estates of deceased persons, agencies and trust estates, experience in the management and conduct of estates.

Class "C", Office of the Housing Commission, Department of Treasurer.

Yearly Salary.—£598, minimum; £728, maximum.

Duties.—To conduct correspondence with, and interview house purchasers, who are in arrears, to reconcile their accounts when necessary, and to generally assist the Officer in Charge of the House Sales Section of the Accounts Branch.

Qualifications.—To have a considerable knowledge of accounting, preferably as a student or graduate, to be capable of dealing with the public and conducting correspondence.

Class "C", Government Cool Stores, Department of Agriculture.

Yearly Salary.—£598, minimum; £728, maximum.

Duties.—To keep records of expenditure, sick and recreation leave and weekly wages of employees; to have charge of cash advance and to pay casual wages, to check pay sheets, to deal with inwards and outwards correspondence, and to keep records as directed by the Manager; to supervise the work of other clerical officers.

Qualifications.—Ability to undertake the clerical work associated with a business enterprise, including a knowledge of conditions appertaining to wages, sick and recreation leave under industrial awards. Experience in the handling of correspondence and preparation of reports; typewriting experience is desirable.

PROFESSIONAL DIVISION.

Assistant Divisional Forester, Class "B1", Department of State Forests.

Yearly Salary.—£1,300, minimum; £1,400, maximum.

Qualifications.—To be the holder of a degree or senior diploma in forestry; to have had extensive experience in forest district administration and the application of forestry practice within a wide range of forest types; to have demonstrated his aptitude to control staff and to possess a thorough knowledge of the Forests Act and Regulations.

NOTE.—This advertisement is in lieu of advertisement which appears on page 1653 of *Government Gazette* No. 55, dated the 25th June, 1958.

Clerk of Courts, Grade I, Class "B" (Coroner's Court), Courts Branch, Department of Law.

Yearly Salary.—£1,100, minimum; £1,200, maximum.

Qualifications.—As prescribed by Public Service (Public Service Board) Regulation 46.

Clerk of Courts, Grade II, Classes "C1"—"C2" (City Court, Melbourne), Courts Branch, Department of Law.

Yearly Salary.—£785, minimum; £1,030, maximum.

Duties.—The amendment of the State Statutes, Regulations, &c., and Commonwealth Acts at the City Court, to make appropriate notations from the Law Reports and to act as librarian to the Magistrates; to deal with all applications under the National Service Acts.

Qualifications.—As prescribed by Public Service (Public Service Board) Regulation 46.

Draughtsman, Classes "C"—"C1", Department of Public Works. (Two vacancies.)

Yearly Salary.—£598, minimum; £875, maximum.

Duties.—To prepare preliminary sketches, contract plans, details and specifications for modern buildings.

Qualifications.—To be a suitably qualified and experienced architectural draughtsman, competent to prepare working drawings, details, and specifications for departmental structures and institutional buildings; to possess the pre-requisite qualifications prescribed in paragraphs (a) and (b) of Public Service (Public Service Board) Regulation 23.

TECHNICAL AND GENERAL DIVISION.

Inquiry Officer, Office of the Public Trustee, Department of Law.

Yearly Salary.—£406, minimum; £484, maximum.

Qualifications.—To be adaptable, of good appearance and to have had experience in dealing with the public.

Shorthand Writer and Typist (Female), Grade III, Office of the Chief Commissioner of Police, Department of Chief Secretary.

Yearly Salary.—£455, minimum; £468, maximum.

Duties.—To act as a shorthand writer and typist to senior administrative officers of the Chief Commissioner's Office; to supervise the staff of the Stenographers' Section.

Qualifications.—To be a competent typist with ability to write shorthand at the rate of 120 words a minute; to be capable of allocating typing work and controlling small staff.

Caretaker (Public Offices, The Domain, South Yarra), Department of Public Works.

Yearly Salary.—£351, minimum; £390, maximum.

Duties.—To act as working caretaker and perform cleaning work and keep the lawn and garden within the bounds of the Teachers' Tribunal Building in good order.

Qualifications.—To be experienced in caretaking duties and to possess ability to control staff; to be physically active and capable of undertaking general cleaning and gardening work.

Watchman, Department of Public Works.

Yearly Salary.—£325, minimum; £338, maximum.

Duties.—To carry out night watching duties at the State Public Offices, 61 Spring-street, and other State Government Offices within the Treasury Reserve, Melbourne, C.2.

Qualifications.—To be active and in good health and to have a knowledge of the workings of the watchman's clock and fire alarm system.

NOTE.—The salary rates quoted above do not include the additional amount which is payable under Regulation 77A of the Board's Regulations.

By order,

V. P. SCULLY,
Secretary.

Office of the Public Service Board,
Melbourne, 1st July, 1958.

PUBLIC SERVICE OF VICTORIA.—SPEED TESTS FOR SHORTHAND WRITERS AND TYPISTS (FEMALE).

AT the tests held on the 31st May, 1958, the under-mentioned candidates passed at the required standards, in the order of merit indicated.

TEST AT 100 WORDS A MINUTE.

Order of Merit.

1	Bennett, Ethel May (Mrs.).
2	Giovanetti, Blanche Marguerite (Mrs.).
3	Ralph, Esme Lillian (Mrs.).
4	Hayes, Marie Olga (Mrs.).
5	Hotson, Marguerite Albertina
6	Trainor, Eunice Elmo (Mrs.).
7	Whinfield, Lorraine Jean.
8	Elleman, Joan Margaret (Mrs.).
9	Paton, Sheila Janet.
10	Foley, Ellen Mary Frances.
11	Fleming, Pauline Anne.

TEST AT 120 WORDS A MINUTE.

No candidates passed.

By order,

V. P. SCULLY,
Secretary.

Office of the Public Service Board,
Melbourne, 1st July, 1958.

EXAMINATION FOR LICENCE AS SHORTHAND WRITER.

IT is hereby notified that the under-mentioned persons passed the examination, held on the 28th June, 1958, for licence as shorthand writers under the Evidence Acts:—

Horsfield, Maude Rose (Mrs.).
Joy, Violet Florence (Mrs.).
McCann, Raymond Xavier.
de Pelseñaire, Elizabeth Ann.

By order,

V. P. SCULLY,
Secretary.

Office of the Public Service Board,
Melbourne, 1st July, 1958.

PUBLIC SERVICE OF VICTORIA.—COMPETITIVE EXAMINATION FOR ADMISSION TO THE PUBLIC SERVICE.

(ADMINISTRATIVE DIVISION.)

AN examination of male candidates for appointment to the Administrative Division of the Public Service of Victoria will be held on Saturday, the 23rd August, 1958.

The examination is open to persons who have passed the School Intermediate examination of the University of Melbourne or an equivalent examination, or who have passed the final examination of a recognized Institute of Accountants, and who on the 23rd August, 1958—

- (a) not being members of the Public Service are under 22 years of age; or
- (b) are temporary employees in the Public Service under 40 years of age; or
- (c) are officers of the Technical and General Division of the Public Service.

A candidate will be required to enter for competitive examination in English (an essay), General Intelligence and Handwriting.

The maximum number of marks that may be awarded shall be—

English	150
General Intelligence	150
Handwriting	80

Candidates, in order to qualify for appointment, must obtain at least 50 per centum of the total number of marks in English and Handwriting, and at least 100 marks in General Intelligence.

Appointments proposed to be made . . . 150
 Appointments reserved for officers of the
 Technical and General Division . . . 20

Entries for the examination must be lodged at the office of the Public Service Board, Public Offices, Treasury-place, Melbourne, C.2 (where the prescribed forms are obtainable) on or before Saturday, the 2nd August, 1958, and must be accompanied by evidence of educational qualifications.

Reasonable facilities will be provided for candidates residing in country districts to sit for the examination in local centres.

By order,
 V. P. SCULLY,
 Secretary.

Office of the Public Service Board,
 Melbourne, 1st July, 1958.

No. 862.

Public Service Act 1946, Section 50.

REGULATIONS.—PART III.—SALARIES, INCREMENTS, AND ALLOWANCES.

THE Public Service Board, in pursuance of the powers conferred by the Public Service Act 1946, hereby amends its Regulations as shown below:—

SEVENTH SCHEDULE.

TECHNICAL AND GENERAL DIVISION.

DEPARTMENT OF HEALTH.

MENTAL HYGIENE.

Offices and Rates of Salaries.

Office.	Yearly Rate of Salary.		Increments (Annual).
	Minimum.	Maximum.	
	£	£	
GENERAL STAFF—MALES.			
Add— Canteen and Activities Officer	520	546	1 of £26

A. GARRAN, Chairman.
 V. P. SCULLY, Secretary.

Office of the Public Service Board,
 Melbourne, 17th June, 1958.

No. 863.

Public Service Act 1946, Section 50.

REGULATIONS.—PART III.—SALARIES, INCREMENTS, AND ALLOWANCES.

THE Public Service Board, in pursuance of the powers conferred by the Public Service Act 1946, hereby amends its Regulations as shown below:—

SECOND SCHEDULE.

TECHNICAL AND GENERAL DIVISION.

Offices and Rates of Salaries.

Department and Office.	Yearly Rate of Salary.		Increments (Annual).
	Minimum.	Maximum.	
	£	£	
DEPARTMENT OF AGRICULTURE.			
Add— Storeman, Grade II.	351	364	

A. GARRAN, Chairman.
 V. P. SCULLY, Secretary.

Office of the Public Service Board,
 Melbourne, 23rd June, 1958.

No. 864.

PUBLIC SERVICE ACT 1946.

THE Public Service Board, in pursuance of the powers conferred by the Public Service Act 1946, hereby amends the Public Service (Public Service Board) Regulations as follows:—

PART VI.—TRAVELLING EXPENSES.

DIVISION III.—REIMBURSEMENT FOR USE OF MOTOR CAR, MOTOR CYCLE, OR BICYCLE.

Regulation 105.

The scale of rates in clause (b) of sub-regulation (1) is deleted, and the following scale is inserted in lieu thereof:—

	For the First 5,000 Miles in a Financial Year.	Mileage Over 5,000 Miles in a Financial Year.
	a mile. d.	a mile. d.
Motor Cars—		
Over 24 h.p.	14.2	9.7
Over 12 h.p. and up to 24 h.p.	11.6	8.3
12 h.p. and under	10.3	7.4
Motor Cycles, with side cars	5.2	3.7
Motor Cycles	4.4	3.2
Bicycles	1.6d. a mile irrespective of mileage	

DIVISION IV.—GENERAL.

Regulation 111.

Sub-regulation (1) is revoked and the following sub-regulation is substituted therefor:—

“(1) Officers possessing motor cars may use them for transport on removal from one station to another, or where authorized by the Permanent Head, for a specific official journey, in which case they shall be reimbursed at the mileage rates as set out hereunder in respect of the distance travelled by them—

For cars over 24 h.p. 9.7d. a mile
 For cars over 12 h.p. and up to 24 h.p. 8.3d. a mile
 For cars of 12 h.p. and under 7.4d. a mile.”

This Regulation shall have effect as on and from the 1st July, 1958.

A. GARRAN, Chairman.
 V. P. SCULLY, Secretary.

Office of the Public Service Board,
 Melbourne, 26th June, 1958.

No. 865.

Public Service Act 1946, Section 50.

REGULATIONS.—PART III.—SALARIES, INCREMENTS, AND ALLOWANCES.

THE Public Service Board, in pursuance of the powers conferred by the Public Service Act 1946, hereby amends its Regulations as shown below:—

SIXTH SCHEDULE.

TEMPORARY EMPLOYEES.

Designations of Positions and Rates of Salaries.

Department and Designation of Position.	Yearly Rate of Salary.		Increments (Annual).
	Minimum.	Maximum.	
	£	£	
DEPARTMENT OF LAW.			
Add— Chemist (Female)	520	875	φ
Delete— Deputy Medico-Legal Chemist (Female)	520	875	φ
φ increments in accordance with the scale of rates of salaries as set out in the Third Schedule to these Regulations.			

A. GARRAN, Chairman.
 V. P. SCULLY, Secretary.

Office of the Public Service Board,
 Melbourne, 17th June, 1958.

PRIVATE ADVERTISEMENTS

TRARALGON SEWERAGE AUTHORITY. GENERAL NOTICE.

THE above-mentioned Sewerage Authority, having made provision for the carrying off of sewage from each and every property which, or any part of which, is within the Sewerage Area hereinafter described, doth hereby declare that on and after the 1st day of July, 1958, each and every property which, or any part of which, is within the said Sewerage Area shall be deemed to be a seweraged property within the meaning of the Sewerage Districts Acts.

The boundaries of the Sewerage Area hereinbefore referred to are as follows:—

Sewerage Area No. 7.

Commencing at a point on a Railway Reserve, such point being a continuation of the western building line of Breed-street, Parish of Traralgon; thence southerly along the western boundary of Sewerage Area No. 6 to the south-eastern angle of lot 11 on lodged plan of subdivision 19077; thence southerly along the western building line of Hickox-street to the intersection of Hickox-street and Marie-street; thence south-westerly across Marie-street to the north-eastern angle of lot 21 on plan of subdivision 20493; thence southerly along the eastern boundary of the said lot 21, plan of subdivision 20493 to the south-eastern angle; thence westerly along the southern boundary of lots 21, 20, 19, 18, 17, 16, 14, 8, 7, 6, 5, 4, 3, and 1, plan of subdivision 20493 to the eastern building line of Hyde Park-road; thence northerly along the eastern building line of Hyde Park-road to the intersection of Hyde Park-road and Roseneath-street; thence easterly along Roseneath-street to the intersection of Roseneath-street and Francis-street; thence northerly along the western building line of Francis-street, and across a Railway Reserve to a point on the southern boundary of Sewerage Area No. 3; thence north-easterly along the southern boundary of Sewerage Area No. 3 to the point of commencement.

By order of the said Sewerage Authority.

(SEAL) R. A. MCPHEE, Chairman.
J. MASKREY, Commissioner.
I. H. PATON, Secretary.

2249

NOTICE OF INTENTION TO APPLY FOR AN ORDER IN COUNCIL UNDER THE ELECTRIC LIGHT AND POWER ACT 1928.

NOTICE is hereby given that the Balmoral Electricity Supply Company Pty. Ltd., intends to apply to the Governor in Council of the State of Victoria for an Order under section 10 of the *Electric Light and Power Act 1928*, authorizing the company to supply electricity for public and private purposes, comprising an area within a radius of 11 miles from the Balmoral Post Office, excluding the area described in the Township of Balmoral Order No. 282.

The applicant proposes to lay down or erect electric lines within a prescribed area within the said area of supply within a period of twelve months from the commencement of the Order.

There are no tramways or railways which the applicant proposes to break up or interfere with in accordance with the special power to be inserted in that behalf in the proposed Order.

Copies of the draft order and of the Order when made can be obtained by any person at the price of Ten shillings each at the office of the Balmoral Electricity Supply Company Pty. Ltd., Balmoral, and at the office of the State Electricity Commission of Victoria, at Nos. 22-32 William-street, Melbourne.

Notices of objection and other documents may be served at the office of the applicant as aforesaid.

Every Council, company, person or persons desirous of bringing before the State Electricity Commission of Victoria, by whom the *Electric Light and Power Act 1928*, is administered, any objection respecting the application must do so within three months from the date of the *Government Gazette* containing this advertisement, by notice addressed to the Secretary, State Electricity Commission of Victoria, 22-32 William-street, Melbourne, marked on the outside of the cover enclosing it: "Electric Light and Power Act 1928." A copy of every such notice must also be forwarded to the applicant for the Order.

Dated this 23rd day of June, 1958.

For the Balmoral Electricity Supply Co. Pty. Ltd.
2220 JAMES R. PECK, Managing Director.

NOTICE OF INTENTION TO APPLY FOR A LICENCE TO DIVERT WATER AND CUT A RACE FROM THE LEIGH RIVER AT INVERLEIGH.

WE hereby give notice that we intend to apply for a licence empowering us to divert water for a term of fifteen years to the extent of 120 acre-feet per annum at a maximum rate of 2 acre-feet per day of 24 hours for irrigation of 60 acres, being part of allotments 26 to 37 (inclusive), Parish of Carrah, and to occupy certain Crown lands for works of storage and diversion, and to cut a race thereon.

Any objection to such application must be forwarded, in writing, to the State Rivers and Water Supply Commission, Melbourne, within 30 days of the date hereof.

Dated 2nd June, 1958.

W. H. T. & V. M. R. THORNTON,
Lullote, Inverleigh. 2213

NOTICE OF INTENTION TO APPLY FOR A LICENCE TO DIVERT WATER AND CUT A RACE (RE-ISSUE) FROM THE TURNER'S LAGOON AT PATHO.

I HEREBY give notice that I intend to apply for a licence empowering me to divert water for a term of fifteen years to the extent of 50 acre-feet per annum at a maximum rate of 5 acre-feet per day of 24 hours for the irrigation of 25 acres, being part of allotment 12, section E, Parish of Patho, and to occupy certain Crown lands for works of diversion, and to cut a race thereon.

Any objection to such application must be forwarded, in writing, to reach the State Rivers and Water Supply Commission, Melbourne, before 9th day of July, 1958, being 30 days from the first publication of this notice.

MARY JANE ELIZABETH PHYLAND,
Box 33, Gunbower, Victoria. 2214

NOTICE OF INTENTION TO APPLY FOR A LICENCE TO DIVERT WATER AND CUT A RACE (RE-ISSUE) FROM LAKE CHARM AT LAKE CHARM.

WE hereby give notice that we intend to apply for a licence empowering us to divert water for a term of fifteen years to the extent of 140 acre-feet per annum at a maximum rate of 4 acre-feet per day of 24 hours for the irrigation of 70 acres, being part of allotments 11 and 11A, section A, Parish of Dartagook, and to occupy certain Crown lands for works of diversion, and to cut a race thereon.

Any objection to such application must be forwarded, in writing, to reach the State Rivers and Water Supply Commission, Melbourne, before the 27th day of July, 1958, being 30 days from the first publication of this notice.

JAMES THOMSON WILLIAMS,
HARRY WILLIAMS.
Lake Charm.
Francis Lynch, solicitor, Kerang. 2225

NOTICE OF INTENTION TO APPLY FOR A LICENCE TO DIVERT WATER AND CUT A RACE (RE-ISSUE) FROM THE LODDON RIVER AT KERANG.

I HEREBY give notice that I intend to apply for a licence empowering me to divert water for a term of fifteen years to the extent of 90 acre-feet per annum at a maximum rate of 20 acre-feet per day of 24 hours for the irrigation of 45 acres of pasture, being part of allotment 19, section B, Parish of Dartagook, and to occupy certain Crown lands for works of diversion, and to cut a race thereon.

Any objection to such application must be forwarded, in writing, to reach the State Rivers and Water Supply Commission, Melbourne, before 9th July, 1958, being 30 days from the first publication of this notice.

Private Bag, Kerang. WILLIAM JOEL MCKNIGHT. 2215

NOTICE OF INTENTION TO APPLY FOR A LICENCE TO DIVERT WATER AND CUT A RACE (RE-ISSUE) FROM THE UPPER GUNBOWER AT GUNBOWER.

I HEREBY give notice that I intend to apply for a licence empowering me to divert water for a term of fifteen years to the extent of 200 acre-feet per annum at a maximum rate of 10 acre-feet per day of 24 hours for the irrigation of 120 acres, being part of allotments 42, 43, 46, section 7, Parish of Gunbower, and to occupy certain Crown lands for works of diversion, and to cut a race thereon.

Any objection to such application must be forwarded, in writing, to reach the State Rivers and Water Supply Commission, Melbourne, before 4th August, 1958, being 30 days from the first publication of this notice.

ESTATE A. E. FERRIS, Deceased.
Per Edward S. Ferris. 2212
"Fairview," Gunbower.

NOTICE OF INTENTION TO APPLY FOR A LICENCE TO DIVERT WATER AND CUT A RACE (RE-ISSUE) FROM THE PYRAMID CREEK AT KOROO, GANNAWARRA.

I HEREBY give notice that I intend to apply for a licence empowering me to divert water for a term of fifteen years to the extent of 150 acre-feet per annum at a maximum rate of 12 acre-feet per day of 24 hours for the irrigation of 75 acres of pasture, being part of allotment 36A, Parish of Gannawarra, and to occupy certain Crown lands for works of diversion, and to cut a race thereon.

Any objection to such application must be forwarded, in writing, to reach the State Rivers and Water Supply Commission, Melbourne, before 7th July, 1958, being 30 days from the first publication of this notice.

DAVID JOHN SMITH.
Box 29, Kerang. 2216

NOTICE OF INTENTION TO APPLY FOR A LICENCE TO DIVERT WATER AND CUT A RACE (RE-ISSUE) FROM THE PYRAMID CREEK AT KOROO, GANNAWARRA.

I HEREBY give notice that I intend to apply for a licence empowering me to divert water for a term of fifteen years to the extent of 200 acre-feet per annum at a maximum rate of 12 acre-feet per day of 24 hours for the irrigation of 100 acres of pasture, being part of allotments 16, 16A, 16B, Parish of Gannawarra, and to occupy certain Crown lands for works of diversion, and to cut a race thereon.

Any objection to such application must be forwarded, in writing, to reach the State Rivers and Water Supply Commission, Melbourne, before 7th July, 1958, being 30 days from the first publication of this notice.

RAYMOND MORGAN HALL.
Care of D. J. Smith, Box 29, Kerang. 2217

NOTICE OF INTENTION TO APPLY FOR A LICENCE TO DIVERT WATER AND CUT A RACE (RE-ISSUE) FROM LAKE KANGAROO AT MYSTIC PARK.

I HEREBY give notice that I intend to apply for a licence empowering me to divert water for a term of fifteen years to the extent of 28 acre-feet per annum at a maximum rate of 3 acre-feet per day of 24 hours for the irrigation of 14 acres, being part of allotments 28, 29A, part 29A, section G(g), Parish of Boga, and to occupy certain Crown lands for works of diversion, and to cut a race thereon.

Any objection to such application must be forwarded, in writing, to reach the State Rivers and Water Supply Commission, Melbourne, before 31st July, 1958, being 30 days from the first publication of this notice.

LEONARD NORMAN ROSEWARNE.
Box 23, Mystic Park. 2198

NOTICE OF INTENTION TO APPLY FOR A LICENCE TO DIVERT WATER AND CUT A RACE (RE-ISSUE) FROM THE GUNBOWER CREEK AT LEITCHVILLE.

I HEREBY give notice that I intend to apply for a licence empowering me to divert water for a term of fifteen years to the extent of 150 acre-feet per annum at a maximum rate of 4 acre-feet per day of 24 hours for the irrigation of 75 acres, being part of allotments 1, 1A, 1B, 1C, section 8, Parish of Gunbower, and to occupy certain Crown lands for works of diversion, and to cut a race thereon.

Any objection to such application must be forwarded, in writing, to reach the State Rivers and Water Supply Commission, Melbourne, before 31st July, 1958, being 30 days from the first publication of this notice.

ROLAND HARRY HALL.
Leitchville, Victoria. 2193

NOTICE is hereby given that Moore Farm Equipment Proprietary Limited, has applied for a lease under section 125 of the Land Acts, for a term of 35 years from 31st August, 1958, of allotment 1, section 55F, City of Port Melbourne, Parish of Melbourne South, containing 2 acres as a site for general engineering purposes. 1957

NOTICE is hereby given that the Maldon Branch of Returned Sailors, Soldiers and Airmen's Imperial League of Australia has applied for a lease under section 125 of the Land Act 1928, for a term of 21 years over certain land in Fountain-street, Township and Parish of Maldon, containing 22 perches, as a site for purposes of amusement and recreation. 2055

No. 58.—5824/58.—3

CHANGE OF NAME.

I, WILLIAM ERNEST LEWIS, of 11 Foster-avenue, Glenhantly, in the State of Victoria, storeman, heretofore called and known by the name of William Ernest Ahyee, hereby give public notice that by a deed poll dated the 30th day of May, 1958, duly executed and attested and deposited with the Registrar-General of the said State on the 20th day of June, 1958, I formally and absolutely renounced and abandoned the said surname of Ahyee, and declared that I had assumed and adopted and intended thenceforth upon all occasions whatsoever to use and subscribe the surname of Lewis instead of the said surname of Ahyee, and so as to be at all times thereafter called known and described by the said surname of Lewis.

Dated the 30th day of June, 1958.

WILLIAM ERNEST LEWIS.
F. Miller, Robinson, and Co., solicitors, 454 Collins-street, Melbourne. 2226

I, JOHN JAMES JENNINGS, of 28 Melbourne-road, North Geelong, in the State of Victoria, heretofore called and known by the name of Phillip Desmond Jennings, hereby give notice that, on the 26th day of June, 1958, I renounced and abandoned the use of my said Christian names of Phillip Desmond, and further that such change of name is evidence by a deed dated the 26th day of June, 1958, duly executed by me and attested and deposited in the office of the Registrar-General on the 27th day of June, 1958.

J. J. JENNINGS
2196 (formerly Phillip Desmond Jennings).

I, GEORGE ALTON of 321 Raglan-street south, Ballarat, in the State of Victoria, labourer, heretofore called and known by the name of Hryhoryj Gluchowycy, hereby give public notice that by deed poll dated the 6th day of June, 1958, duly executed and attested and deposited with the Registrar-General in the said State, on the 19th day of June, 1958, I formally and absolutely renounced and abandoned the said name of Hryhoryj Gluchowycy and declared that I had assumed and adopted and intended thenceforth upon all occasions whatsoever to use and subscribe the name of George Alton instead of the name Hryhoryj Gluchowycy, and so as to be at all times thereafter called, known, and described by the said name of George Alton.

Dated the 23rd day of June, 1958.

GEORGE ALTON.
Witness—A. GAVIN SHAW, solicitor, Ballarat. 2201

I, OLGA MARIA ALTON, of 321 Raglan-street south, Ballarat, in the State of Victoria, married woman, heretofore called and known by the surname of Gluchowycy, hereby give public notice that by deed poll dated the 6th day of June, 1958, duly executed and attested and deposited with the Registrar-General in the said State, on the 19th day of June, 1958, I formally and absolutely renounced and abandoned the said surname of Gluchowycy and declared that I had assumed and adopted and intended thenceforth upon all occasions whatsoever to use and subscribe the surname of Alton instead of the surname of Gluchowycy, and so as to be at all times thereafter called, known, and described by the said surname of Alton.

Dated the 23rd day of June, 1958.

OLGA MARIA ALTON.
Witness—A. GAVIN SHAW, solicitor, Ballarat. 2202

CITY OF COLLINGWOOD.

BY-LAW No. 92.

Amending By-law No. 78.

(As amended by By-law Nos. 79, 81, and 82.)

IN pursuance of the powers conferred by the Local Government Acts and every power thereunto enabling, the Mayor, Councillors, and Citizens of the City of Collingwood, with the approval of the Governor in Council, order as follows:—

That section 2 of By-law No. 78 be and the same is hereby amended in so far as follows:—

Residential Area No. 7, described in the schedule set out in By-law No. 78, shall not include the area—

"Commencing at a point on the western side of Lithgow-street 660 feet north from Victoria-street; thence southerly along the western building line of Lithgow-street to the intersection of Lithgow and Victoria streets; thence westerly along the northern building line of Victoria-street to the intersection of Victoria and Little Lithgow streets; thence

northerly along the eastern building line of Little Lithgow-street for a distance of 660 feet; thence easterly along an imaginary line to link up with the commencing point."

The Resolution for passing this By-law was agreed to by the Council on the 10th day of February, 1958, and confirmed on the 11th day of March, 1958.

The common seal of the Mayor, Councillors, and Citizens of the City of Collingwood was hereto affixed by order of the Council on the 21st day of March, 1958, in the presence of—

R. J. EDDY, Mayor.
(SEAL) G. I. MAXWELL, Councillor.
G. J. BROWN, Town Clerk.

Approved by the Governor in Council on the 18th day of June, 1958.—N. G. WISHART, Acting Clerk of the Executive Council. 2247

CITY OF GEELONG.

By-LAW No. 138.

A By-law of the City of Geelong, made under the provisions of the Local Government Acts, and numbered 138, for the purpose of prevention and control of fire in relation to the storage of solid fuel and for suppressing nuisances.

IN pursuance of the powers conferred by section 197 of the *Local Government Act 1946* and every other power enabling it in that behalf, the Mayor, Councillors, and Citizens of the City of Geelong order as follows:—

1. In this By-law "solid fuel" includes firewood, mallee roots, briquettes, coal, coke, and charcoal.

"Ton" in relation to the several kinds of solid fuel set out below shall, without restricting its ordinary meaning, be deemed, until the contrary be shown, to be equal to the number of cubic feet set out in respect thereto ascertained by measurement in the stack or on the ground, namely:—

Firewood	40 cubic feet.
Mallee roots	40 cubic feet.
Briquettes	30 cubic feet.
Coal	30 cubic feet.
Coke	75 cubic feet.
Charcoal	100 cubic feet.

2. Every person who shall in or upon any place or premises within the City of Geelong stack, store, or cause, commit, or suffer to be stacked or stored any solid fuel shall comply with the following requirements:—

- (a) No solid fuel shall be so stacked or stored so as to prevent or impede in case of fire access to or exit from any building or to or from the place or premises where it is stacked or stored or to or from any adjoining place or premises.
- (b) No solid fuel in any quantity exceeding in the aggregate 20 tons shall be stacked or stored within 4 feet of the boundary of the allotment or premises where such fuel is kept, except where same is stored in a fireproof building approved for the purpose by the Council, provided always that the Council may by permit, in writing under the hand of the Town Clerk, allow solid fuel in excess of 5 tons to be stacked or stored to such closer distance than 4 feet as may be set out in the said permit to the boundary where such boundary is a public street or right-of-way. Where any brick, concrete, or other fire-resisting wall is built on a boundary alignment of the said allotment or premises the Council may authorize wood or other solid fuel to be stacked or stored within such lesser distance than 4 feet as the Council shall think fit, having regard generally to the circumstances of the case, including the fire-resisting qualities of the said wall and the nature of the adjoining premises.
- (c) Firewood when stacked on end shall be so stacked that the vertical height of the stack shall not be more than 8 feet above the level of the ground on which it stands.
- (d) Firewood when stacked horizontally shall be so stacked that the vertical height of the stack shall not at any point be more than 10 feet above the level of the ground on which it stands.
- (e) Mallee roots shall be so stacked that the vertical height of the stack shall not at any point be more than 8 feet above the level of the ground on which they stand.

(f) No solid fuel shall be stacked upon the roof of any building, out-house, shed, or other construction.

3. No solid fuel exceeding in the aggregate 10 tons shall be stacked or stored within 15 feet of any hotel, boarding-house, or private residence or any building within which any person resides. Notwithstanding the foregoing provisions of this section, any proprietor of premises where solid fuel exceeding 10 tons in the aggregate is stacked or stored and which premises were so used prior to or at the time of this By-law was made, may by application, in writing, to the Council seek a reduction of the 15 feet, and the Council may, in writing, authorize the storage of solid fuel at such lesser distance, but in no instance shall it be nearer the boundary of the allotment or premises than 4 feet or as provided in section 2 (b) hereof.

4. No owner or occupier of any woodyard or of any premises where solid fuel is stacked, stored, or kept for the purpose of sale shall permit any chips, bark, sawdust, rubbish, or waste of a combustible nature to accumulate or to remain on the premises so as to create a fire hazard.

5. If any person by wilful act or default contravenes any of the provisions of this By-law he shall be guilty of an offence against the By-law and liable, on conviction, to a penalty not exceeding £20.

Any person guilty of a continuing offence against this By-law shall be liable to a penalty of not more than £5 for each day on which an offence against this By-law is continued after a conviction or order by any court.

6. Every woodyard or premises where solid fuel is stored in excess of 10 tons shall be provided with a water service and an adequate length of hosing which shall be retained in position permanently. Such water service and hosing shall be approved by the Council.

7. This By-law shall operate throughout the City of Geelong.

Resolution for passing this By-law agreed to by the Council of the City of Geelong on the 27th day of May, 1958, and confirmed the 24th day of June, 1958.

The common seal of the Mayor, Councillors, and Citizens of the City of Geelong was affixed hereto, in the presence of—

(SEAL) A. L. BACKWELL, Mayor.
2175 L. L. WALTER, Town Clerk.

CITY OF GEELONG.

DEDICATION TO THE PUBLIC AS PUBLIC HIGHWAYS OF STREETS CONSTRUCTED TO THE SATISFACTION OF THE COUNCIL.

NOTICE is hereby given, in accordance with section 585 (3) of the *Local Government Act 1946*, that the Council of the City of Geelong, having received a request from the Housing Commission of Victoria so to do, hereby declares—

Barnfather-street,	Helmer-crescent,
Birdsey-street,	McNeill-avenue,
Bromley-street,	McNeill-court,
Carruthers-court,	Robertson-street,
Cranstoun-court,	Tamlyn-street,
Ensby-street,	Tate-street,
Fagg-street,	Warren-court,
Godfrey-street,	Warren-street,

in the City of Geelong, to be dedicated to the public as public highways, the said streets having been constructed to the satisfaction of the Council.

L. L. WALTER, Town Clerk...
27th June, 1958. 2181

CITY OF HEIDELBERG.

By-LAW No. 201.

Amending Zoning By-law 74—Residential Area No. 1 to Residential Area No. 2.

A By-law of the City of Heidelberg, made under the provisions of the *Local Government Act 1946*, and particularly under and with reference to section 197, sub-section 1, paragraph xxxviii (a), sub-section 6, paragraphs (a) (i) and (ii), sub-section 7, and sub-section 9 (a) (iii), and section 228, and numbered 201, for altering and amending By-law 74.

IN pursuance of the powers conferred by the Local Government Act and every other power thereto enabling, the Mayor, Councillors, and Citizens of the City

of Heidelberg, with the approval of the Governor in Council, order as follows:—

That By-law 74 be amended—

- (1) By transferring from Residential Area No. 1 to Residential Area No. 2 lots 17, 18, and part 19, with a total frontage of 152 feet to the west side of Beewar-street and for a depth of 150 feet and situated 63 feet south from Santon-street, shown on plan of subdivision as part of Crown portion 17, Parish of Keelbundora, County of Bourke, and being the land more particularly described in certificate of title, volume 8136, folio 488.
- (2) By transferring from Residential Area No. 1 to Residential Area No. 2 lots 58, 59, and part 60, with a total frontage of 154 ft. 11 in. to the west side of Falcon-road and for an average depth of 154 ft. 7 in. and situated 110 feet south of Moorwatha-street, shown on plan of subdivision as part of Crown portion 5, Parish of Keelbundora, County of Bourke, and being the land more particularly described in certificate of title, volume 3444, folio 688747.

The Resolution for passing this By-law agreed to by the Council on the 24th February, 1958, and confirmed on the 24th March, 1958.

(SEAL) S. E. ASHLEY, Mayor.
FRANK T. ROJO, Councillor.
F. PHILLIPS, Town Clerk.

Approved by the Governor in Council, on the 18th day of June, 1958.—N. G. WISHART, Acting Clerk of the Executive Council. 2180

CITY OF MOORABBIN.

By-LAW No. 237.

A By-law of the City of Moorabbin, made under section 197 of the *Local Government Act 1946*, and numbered 237, for the purpose of adopting provisions of the 15th Schedule to the said Act.

IN pursuance of the powers conferred by the *Local Government Act 1946*, the Mayor, Councillors, and Citizens of the City of Moorabbin order as follows:—

1. By-law No. 220 of the City of Moorabbin is hereby repealed.

2. That the whole of the 15th Schedule to the *Local Government Act 1946* (with the exception of Part XI. thereof) be and the same is hereby adopted in and for the whole of the municipal district of the City of Moorabbin.

3. This By-law shall apply to and have operation throughout the whole of the municipal district of the City of Moorabbin.

Resolution for passing this By-law agreed to by the Council on the 19th day of May, 1958, and confirmed the 23rd day of June, 1958.

The common seal of the Mayor, Councillors, and Citizens of the City of Moorabbin was hereto affixed, in pursuance of a Resolution of the Council, and in the presence of—

(SEAL) H. PASCOE, Mayor.
K. I. J. HODGSON, Councillor.
V. A. SMITH, Town Clerk.

2169

CITY OF MOORABBIN.

By-LAW No. 238.

A By-law of the City of Moorabbin, made under section 197 of the *Local Government Act 1946*, and numbered 238, for the purpose of regulating the proceedings of meetings of the Council and meetings of Committees of the Council of the City of Moorabbin.

IN pursuance of the powers conferred by the *Local Government Act 1946*, the Mayor, Councillors, and Citizens of the City of Moorabbin order as follows:—

1. In this By-law, unless the contrary appears—

- (a) "Committee" means a Committee of the Council.
(b) "Council" means the Council of the City of Moorabbin.
(c) "Town Clerk" means the person for the time being holding the office of Town Clerk to the Council and includes any person from time to time acting as Town Clerk.

2. The provisions of Part XI. of the Fifteenth Schedule to the *Local Government Act 1946* (except clauses 1, 2, 3, 6, 7, 31, 40, 52, 54, 55, and 56 thereof) be and the same are hereby adopted in and for the whole of the municipal district of the City of Moorabbin.

3. (1) The Council may confirm the minutes of an ordinary or special meeting at that meeting.

(2) Unless the minutes of any meeting are confirmed at the meeting to which those minutes relate the same shall be confirmed at the next meeting of the Council.

4. When minutes are to be confirmed at the next meeting of the Council—

- (a) not later than 48 hours before the time fixed for the holding of such next meeting a copy of the minutes shall be delivered or posted to each Councillor, together with the agenda for that meeting;
(b) the first business of the meeting shall be the confirmation of the minutes; and
(c) the said minutes shall not be read and no discussion thereon shall be permitted except as to their accuracy as a record of the proceedings.

5. (1) After the confirmation of the minutes as provided for in clause 4 hereof and the signing thereof as by law required, the business of an ordinary meeting shall be as follows or as near thereto as may be practicable, but for the greater convenience of the Council at any particular meeting thereof it may be altered by resolution to that effect:—

- (i) Resumption of debate on motions or orders of the day lapsed at previous meeting.
(ii) Reading the summary of correspondence referred to in clause 6 hereof and considering and ordering thereon.
(iii) Reception and reading of petitions and memorials.
(iv) Presentation of reports and the authorizing of payments.
(v) Ordinary business not elsewhere included.
(vi) Orders of the day, including subjects continued from proceedings of former meetings.
(vii) Extraordinary business not elsewhere included.
(viii) Other motions of which previous notice has been given.
(ix) Notices of motion.

(2) The order of business at a special meeting shall be the order in which such business stands in the notice thereof.

6. (1) The Town Clerk shall prepare and shall place before each meeting of the Council a summary of correspondence received since the last preceding meeting of the Council.

(2) No correspondence shall be read in full at any meeting of the Council unless a Councillor requests that any particular item or items of correspondence be so read.

7. All notices of motion (where notice of motion is required by law to be given) shall be dated and numbered and given by the intending mover to the Town Clerk at the close of the meeting of Council, or at such time before the next meeting of the Council as will permit the Town Clerk to give notice thereof in the manner and in the time required for special meetings, and such clerk shall enter the same in the notice of motion book in the order in which they may be received.

8. (1) A motion moved at a meeting of the Council need not be reduced into writing by the mover.

(2) The Town Clerk shall record in the rough minutes all motions moved and seconded at a meeting of the Council.

9. (1) It shall not be necessary to keep minutes of the proceedings of any Committee.

(2) All reports of Committees shall contain a recommendation to the Council on the matters considered and shall be signed by the Chairman of the Committee.

(3) The Town Clerk shall cause a copy of all reports of Committees to be included in the agenda for the meeting of the Council at which such reports are to be presented.

10. (1) Plans and specifications for any public work (other than urgent works) shall be laid before the Council at least six days prior to the same being considered and ordered upon and be open for inspection by any ratepayer during that time.

(2) Plans and specifications for public work deemed urgent by the Council may be considered and ordered upon at any meeting of the Council.

11. The common seal of the Council shall be kept by the Town Clerk in a safe place and shall not be affixed to any document except by the authority of the Council and in the presence of the Mayor and one other Councillor and the Town Clerk or in the presence of two Councillors and the Town Clerk.

12. Any one or more of the rules or regulations contained or incorporated in this By-law may be suspended for a special purpose on motion upon notice duly given and not otherwise, except by a unanimous vote of the Council.

13. In all cases not provided for by this By-law resort shall be had to the rules, forms and usages of Parliament, which shall be followed so far as the same are applicable to the proceedings of the Council.

14. This By-law shall apply to and have operation throughout the whole of the municipal district of the City of Moorabbin.

15. Every person guilty of any wilful act or default contrary to this By-law shall be liable to a penalty not exceeding £20.

Resolution for passing this By-law agreed to by the Council on the 19th day of May, 1958, and confirmed the 23rd day of June, 1958.

The common seal of the Mayor, Councillors, and Citizens of the City of Moorabbin was hereto affixed, in pursuance of a Resolution of the Council, and in the presence of—

(SEAL) H. PASCOE, Mayor.
K. I. J. HODGSON, Councillor.
V. A. SMITH, Town Clerk.

CITY OF MOORABBIN.

LOAN No. 98.

Notice of Intention to Borrow the Sum of Thirty Thousand Pounds (£30,000) for Permanent Works and Undertakings.

NOTICE is hereby given that the Council of the City of Moorabbin proposes to borrow the sum of Thirty thousand pounds (£30,000) on the credit of the municipal revenues of the Mayor, Councillors, and Citizens of the said City, such sum to be raised by the issue of debentures, in accordance with the provisions of the Local Government Acts.

1. The maximum rate of interest that may be paid is 5s. 10s. per cent. per annum.

2. The purposes for which the loan is to be applied are:—

Construction, reconstruction and widening of roads	£27,900
Concrete paving and channelling works	1,500
Construction of drains	600
	£30,000

3. The period of the loan shall be fifteen years.

4. The moneys borrowed shall be repayable by providing out of the municipal fund 30 equal half-yearly instalments of £1,481 10s. 8d. each, including principal and interest, on the 1st day of April and the 1st day of October during the currency of the loan. The first instalment shall be payable on the 1st day of April, 1959.

5. Such moneys shall be repayable at the Australia and New Zealand Bank Limited, 394 Collins-street, Melbourne, or at the Council's bankers for the time being in Melbourne.

The plans and specifications and the estimate of the cost of the proposed works and a statement showing the proposed expenditure of the moneys to be borrowed, are open for inspection at the Municipal Offices, Nepean Highway, Moorabbin.

2248

V. A. SMITH, Town Clerk.

BOROUGH OF KYABRAM.

BY-LAW No. 7.

A By-law of the Borough of Kyabram, made under section 326 of the *Health Act 1956*, and numbered 7, for the regulation and management of that portion of the meat area known as the Kyabram Meat Area within the municipal district of the said Borough as at present constituted, and all that piece of land containing 1 acre or thereabouts, being part of Crown allotment 36, Parish of Kyabram East, County of Rodney, being part of the land more particularly described in certificate of title, volume 6032, folio 390, and being part of the said land as is at present occupied by the abattoirs buildings, holding yards, and skin sheds, being the property known as "The Delta Abattoirs", such property being within the municipal district of the Kyabram riding of the Shire of Rodney, and for—

(a) prescribing the conditions on which animals may be received into or supplied or removed from any abattoir therein situate;

(b) fixing the rates of fees or dues payable to the Council of the said Borough under Part XV. of the *Health Act 1956*;

(c) prescribing the times for selling and for slaughtering animals and for selling carcasses or meat at the said abattoirs;

(d) the feeding, watering, and tending and the preventing of cruelty to and overcrowding of animals in the said abattoirs; and

(e) stopping temporarily the manufacture of and the sale of small goods in circumstances in which danger to the consumer is apprehended owing to uncleanness or to the presence of infection on or about the premises where such manufacture or sale is carried on.

IN exercise of the powers conferred by the Health Acts, and of every and any other power it thereunto enabling, the Mayor, Councillors, and Ratepayers of the Borough of Kyabram hereby order as follows:—

1. In this By-law—

"the Council" means the Council of the Borough of Kyabram;

"the Meat Area" means the area within the municipal district of the Council, and all that piece of land containing 1 acre or thereabouts, being part of Crown allotment 36, Parish of Kyabram East, County of Rodney, being part of the land more particularly described in certificate of title, volume 6032, folio 390, and being that part of the said land as is at present occupied by the abattoirs buildings, holding yards, and skin sheds, being the property known as "the Delta Abattoirs", such property being within the municipal district of the Kyabram riding of the Shire of Rodney, and being portion of the area proclaimed as a Meat Area, to be known as the Kyabram Meat Area, in the *Government Gazette* No. 243, of the 18th of September, 1957, at page 3097;

"the Meat Inspector" means the Meat Inspector appointed and/or provided by the Council for the inspection and supervision of any abattoir in the Meat Area.

2. This By-law shall apply to the Meat Area as defined in clause 1 hereof, and such area shall be under the direction of the Meat Inspector.

3. This By-law shall come into full force and operation on its approval by the Governor in Council, and immediately after its publication in the *Government Gazette*.

4. No animal shall be slaughtered in the Meat Area except on Monday to Friday of any week, and then only between the hours of 7.30 a.m. and 5 p.m., but the total hours during which slaughtering will be permitted shall not exceed 40 hours in any week. No animal shall be slaughtered on any gazetted public holiday. The above days shall be the days for inspection by the Meat Inspector, and such inspection shall be made at the Abattoir or Abattoirs situate in the Meat Area.

5. No animal shall be slaughtered before it has been examined on the hoof in the Meat Area by the Meat Inspector on the days and within the times set out in clause 4 hereof.

6. No animal visibly or known to be affected with any contagious or infectious disease shall be received into any abattoirs in the Meat Area except with the express permission of the Meat Inspector.

7. No person shall remove or cause or permit to be removed from any abattoir in the Meat Area any carcass or part of the carcass of any animal slaughtered thereat until the same has been examined by the Meat Inspector and passed by him as fit for human food, and branded by him with the regulation brand, or rendered unfit for human consumption in the manner prescribed by the Meat Supervision Regulations.

8. No sheep skin shall be removed from the abattoir in the Meat Area with the head attached.

9. The fees payable to the Council for examining and branding carcasses, parts of carcasses, or meat by or under the direction of the Meat Inspector shall be as follows:—

(a) For examining and branding any carcass of, or meat derived from any—

Bull, cow, heifer, ox, steer—	Six shillings.
Calf—exceeding 200 lb.—	Six shillings.
Calf—100 lb. to 200 lb.—	Three shillings.
Lamb, sheep—	One shilling and six pence.
Swine—	Four shillings.
Bobby-calf (40 lb. to 100 lb.)—	One shilling.

(b) For any certificate as to an examination made by the Meat Inspector—Two shillings and six pence.

(c) for examining any—

- Bull, cow, heifer, ox, steer or calf (other than a bobby-calf)—Two shillings and six pence.
 Calf—exceeding 200 lb.—Two shillings and six pence.
 Calf—100 lb. to 200 lb.—One shilling and three pence.
 Goat, kid, lamb, sheep or bobby-calf—Six pence.
 Bobby calf (40 lb. to 100 lb.)—Six pence.
 Swine—Two shillings and six pence.

The said fees shall be paid by the person using the abattoir and shall be so paid to the Town Clerk of the Council at the office of the Council at Kyabram, once at least in every week, and the amount of each such payment shall correspond with and be accompanied by a voucher from the Meat Inspector.

10. The proprietor of each abattoir in the Meat Area shall not nor shall any person having the management or control of any animal or animals in such abattoir—

- (a) suffer any cruelty to take place towards any animal at any time in the abattoir;
 (b) suffer animals to be overcrowded in the abattoir.

11. If the Meat Inspector, the Health Inspector of the Council, or the Council's Medical Officer of Health shall at any time find a condition of uncleanness of the presence of infection on or about the premises within the Meat Area where the manufacture or sale of small goods is carried on in circumstances in which danger to the consumer of such small goods is apprehended by such Inspector or Officer, such Inspector or Officer may by notice in writing under his hand directed to the occupier of such premises prohibit the manufacture thereat and/or the sale therefrom of small goods until such condition of uncleanness is rectified or such infection is removed, and any such notice may be served in the manner provided by section 425 of the *Health Act 1956*.

12. Any person who shall by wilful act or default contravene any of the provisions of this By-law shall be guilty of an offence and shall on conviction be liable to a penalty not exceeding Twenty pounds.

Resolution for passing this By-law was agreed to by the Council, the 27th day of November, 1957, and confirmed on the 12th day of February, 1958.

The common seal of the Mayor, Councillors, and Ratepayers of the Borough of Kyabram was hereunto affixed this 12th day of February, 1958, by order of the Council, and in the presence of—

(SEAL) THEO HOWARD, Mayor.
 S. R. YOUNG, Councillor.
 K. N. KING, Councillor.
 H. ERNEST WALKER, Town Clerk.

Submitted by the Commission of Public Health on the 1st day of April, 1958.—G. V. STAFFORD, Secretary to the Commission.

Approved by the Governor in Council the 14th day of May, 1958.—N. C. WISHART, Acting Clerk of the Executive Council. 2167

SHIRE OF BEECHWORTH.

LOAN No. 4.

Notice of Intention to Borrow the Sum of £10,000 for Permanent Works and Undertakings.

NOTICE is hereby given that the Council of the Shire of Beechworth proposes to borrow the sum of Ten thousand pounds on the credit of the municipal revenues of the President, Councillors, and Ratepayers of the Shire of Beechworth, by an issue of debentures, in accordance with the provisions of the Local Government Acts.

1. The maximum rate of interest that may be paid is 5½ per cent. per annum.
2. The purpose for which the loan is to be applied is for renovations to the Memorial Hall at Beechworth.
3. The period of the loan shall be fifteen years.
4. The moneys borrowed shall be repayable by providing out of the municipal fund 30 half-yearly instalments of £493 16s. 11d. each, including principal and interest, on the 1st day of October and the 1st day of April during the currency of the loan. The first instalment shall be payable on the 1st day of April, 1959.
5. Such moneys shall be repayable at the Bank of New South Wales, Melbourne, or at the Council's bankers for the time being in Melbourne.

The plans and specifications and the estimate of the cost of the proposed works, and a statement showing the proposed expenditure of the moneys to be borrowed, are open for inspection at the office of the Council, Ford-street, Beechworth, at all reasonable times.

Dated the 24th day of June, 1958.

2165

G. T. GRAY, Shire Secretary.

SHIRE OF BULN BULN.

APPOINTMENT OF POLLING PLACES.

NOTICE is hereby given that the Council of the Shire of Buln Buln did, at its meeting held on Monday, the 23rd day of June, 1958, appoint the following places as polling places for the respective ridings of the said Shire:—

North Riding.

Noojee—Public Hall.
 Neerim Junction—Public Hall.
 Neerim East—Public Hall.
 Neerim—Public Hall.
 Neerim South—Public Hall.
 Icy Creek—Public Hall.
 Crossover—Public Hall.

Centre Riding.

Longwarry—Public Hall.
 Longwarry North—Public Hall.
 Labertouche—Public Hall.
 Drouin West—Public Hall.
 Jindivick—Public Hall.
 Crossover—Public Hall.

Drouin Riding.

Drouin—Public Hall.

South Riding.

Longwarry—Public Hall.
 Drouin South—State School.
 Athlone—Public Hall.
 Ripplebrook—Country Party Hall.
 Hallora—Public Hall.
 Lardner—Public Hall.
 Modella—Public Hall.
 Mountain View—Public Hall.

2182

K. A. PRETTY, Shire Secretary.

SHIRE OF CORIO.

LOAN No. 34.

Notice of Intention to Borrow the Sum of £8,000 for Permanent Works and Undertakings.

NOTICE is hereby given that the Council of the Shire of Corio proposes to borrow the sum of Eight thousand pounds on the credit of the municipal revenues of the President, Councillors, and Ratepayers of the said Shire, such sum to be raised by the issue of debentures, in accordance with the provisions of the Local Government Acts.

1. The maximum rate of interest that may be paid is 5½ per cent. per annum.
2. The purpose for which the loan is to be applied is to liquidate part of the private streets overdraft.
3. The period of the loan shall be ten years.
4. The moneys borrowed shall be repayable by providing out of the municipal fund 30 half-yearly instalments of approximately £525 7s. 6d. each, including principal and interest, on the 1st day of March and the 1st day of September during the currency of the loan. The first instalment shall be payable on the 1st day of March, 1959.
5. Such moneys shall be repayable at the Commercial Bank of Australia Ltd., Melbourne, or at the Council's bankers for the time being in Melbourne.

W. H. MYERS, Shire Secretary.

26th June, 1958.

2171

SHIRE OF HUNTLY.

NOTICE is hereby given that First Constable Robert O'Sullivan has been appointed Prosecuting Officer for portion of Huntly Shire within Elmore Police Sub-district, in place of First Constable L. V. Dyer.

2172

J. BORRELL, Shire Secretary.

SHIRE OF KANIVA.

APPOINTMENT OF INSPECTOR OF NUISANCES AND PROSECUTING OFFICER.

NOTICE is hereby given that Senior Constable Frederick Robert Thompson, of Kaniva, has been appointed Inspector of Nuisances and Prosecuting Officer for the Shire of Kaniva.

2173

N. G. HAYNES, Shire Secretary.

SHIRE OF MORWELL.

NOTICE is hereby given that George E. Siggins has been appointed as Poundkeeper of the Yinnar Pound, *vice* J. A. Conway resigned.

2166 W. K. MATHISON, Shire Secretary.

SHIRE OF NARRACAN.

NOTICE is hereby given that the Council of the Shire of Narracan has abolished the Pound on Crown allotment 7, section 12, Parish of Warragul, known as the Yarragon Pound.

Further, in pursuance of section 4 of the *Pounds Act* 1928, the Council has appointed that piece of land being unused road reservation situated between allotment 1, section 8, and allotment 16, section 7, Township of Yarragon, Parish of Darmum, County of Buln Buln, to be a Pound, and has appointed Mrs. Mary Judith Kilday, of Yarragon, as Poundkeeper.

Dated this 23rd day of June, 1958.

2163 W. F. NELSON, Shire Secretary.

SHIRE OF NARRACAN.

TABLE of Rates to be charged for the trespass of cattle and their sustenance while impounded in the Thorpdale, Trafalgar, and Yarragon Pounds, paid by the Council of the Shire of Narracan.

Description of Cattle Trespassing.	Trespass Rates.		Sustenance Fees.
	Upon Land other than Tillage Land Enclosed by a Substantial Fence.	Upon Tillage Land Enclosed by a Substantial Fence.	Amount to be Charged Daily for Sustenance while Impounded.
	£ s. d.	£ s. d.	£ s. d.
For every sheep ..	0 0 3	0 0 3	0 0 3
For every goat ..	0 10 0	0 10 0	0 5 0
For every pig ..	0 10 0	0 10 0	0 5 0
For every head of other cattle ..	0 10 0	0 10 0	0 5 0

In respect of the trespass of any entire horse, any bull or ram, there shall be payable as a trespass rate, in addition to any other sum fixed under the provisions of the *Pounds Acts* by way of trespass rate, a sum of Two pounds ten shillings.

By Order of the Council,

2164 W. F. NELSON,
Shire Secretary

SHIRE OF PHILLIP ISLAND.

APPOINTMENT OF POUNDKEEPER.

NOTICE is hereby given that the Council of the Shire of Phillip Island, at its meeting on 26th May, 1958, appointed George Edmund Murdoch as Poundkeeper for the Shire of Phillip Island, in place of Arthur Murdoch, who has resigned.

2174 D. MCADIE, Shire Secretary.

SHIRE OF ROCHESTER.

NOTICE is hereby given that the President, Councillors, and Ratepayers of the Shire of Rochester have applied for a lease under section 125 of the *Land Act* 1928, for a term of 21 years for certain land at the north-eastern corner of Mary and Victoria streets, Township of Rochester, in the Parish of Rochester West, as a site for purpose of amusement and recreation.

2083 H. R. WESTCOTT, F.I.M.A., Shire Secretary.

SHIRE OF TULLAROOP.

POUNDKEEPER FOR THE MUNICIPAL POUND AT CARISBROOK.

NOTICE is hereby given that Louis Frederick Koop has been appointed by the Tullaroop Shire Council as Poundkeeper for the Municipal Pound situated upon land abutting Green-street, Carisbrook, such land being part of section 7, Town of Carisbrook.

2178 J. B. OGLE, Shire Secretary.

SHIRE OF TULLAROOP.

HERDSMAN FOR THE SHIRE OF TULLAROOP.

NOTICE is hereby given that Francis Thomas Dunell has been appointed by the Tullaroop Shire Council at its meeting held 10th June, 1958, as Herdsman for the Shire of Tullaroop.

2179 J. B. OGLE, Shire Secretary.

SHIRE OF TULLAROOP.

BY-LAW No. 19.

NOTICE is hereby given that the Council of the Shire of Tullaroop has, under the provisions of the *Local Government Act* 1946, made under Special Order, the By-law No. 19 for adopting all the provisions of the Fifteenth Schedule of the *Local Government Act* 1946.

A copy of this By-law is open for inspection, free of charge, during office hours, at the Shire Office, Maryborough.

2176 J. B. OGLE, Shire Secretary.

SHIRE OF TULLAROOP.

MUNICIPAL POUND AT CARISBROOK.

NOTICE is hereby given that the Council of the Shire of Tullaroop did, on the 10th day of June, 1958, appoint the land abutting Green-street, Carisbrook, being part of section 7, Town of Carisbrook, to be a "place" within the meaning of section 4 of the *Pounds Act* 1928, as a Municipal Pound for the Shire of Tullaroop.

2177 J. B. OGLE, Shire Secretary.

SHIRE OF WINCHELSEA.

NOTICE is hereby given that, on the 18th day of June, 1958, the Council of the Shire of Winchelsea appointed First Constable Leo John O'Dwyer, No. 9060, as Inspector of Nuisances for the East and West Ridings of the said Shire, in lieu of First Constable P. A. Healey, resigned.

W. W. WESTHORPE, Shire Secretary.
Shire Office, Winchelsea, 25th June, 1958. 2168

NOTICE is hereby given that the partnership between Roger O'Halloran and Albert Trevor Bruhn, carrying on the legal practice, under the name of Roger O'Halloran and Bruhn, at 63 Gheringhap-street, Geelong, has been terminated by mutual agreement as at the 30th day of June, 1958. The said Roger O'Halloran will from the 1st day of July, 1958, carry on practice at 63 Gheringhap-street, Geelong, and the said Albert Trevor Bruhn will as from that date carry on practice at 63 Gheringhap-street, Geelong, and Ocean Grove.

2195 ROGER O'HALLORAN.
A. TREVOR BRUHN.

NOTICE is hereby given that the partnership formerly carried on under the name of Swanston Battery Services, at 118-120 A'Beckett-street, Melbourne, by Raymond Francis Bartlett, Mary Veronica Bartlett, and Mary Evelyn Cosgriff has been dissolved by mutual consent on the 30th day of June, 1958. All debts owing to or by the said partnership will be received by Raymond Francis Bartlett and Mary Veronica Bartlett, who will continue to carry on the said business under the same name.

Dated the 30th day of June, 1958.

2234 R. BARTLETT.
M. V. BARTLETT.
MARY E. COSGRIFF.

NOTICE is hereby given that the partnership subsisting between the undersigned Keith Ryan and Kenneth Carlon, carrying on business as carriers and general merchants under the name of "Waterdale Arrow and Co.," has been dissolved by mutual consent as from the 17th day of June, 1958. All debts due to and owing by the said firm will be received and paid by Keith Ryan, of 140 Waterdale-road, Ivanhoe.

Dated at Ivanhoe, the 17th day of June, 1958.

2219 K. RYAN.
K. CARLON.

WYALLA PTY. LTD. (IN VOLUNTARY LIQUIDATION).

NOTICE CONVENING FINAL MEETING, PURSUANT TO SECTION 236.

NOTICE is hereby given, that pursuant to section 236 of the *Companies Act* 1938, a General Meeting of the members of the above-named company will be held at the office of the liquidator, I. T. McIvor, 473 Bourke-street, Melbourne, on Tuesday, the 5th of August, 1958, at half-past Two o'clock in the afternoon, for the purpose of having an account laid before them showing the manner in which the winding up has been conducted and the property of the company disposed of, and of hearing any explanations that may be given by the liquidator.

Dated this 30th day of June, 1958.

I. T. McIVOR, Liquidator.
I. T. McIvor, 473 Bourke-street, Melbourne. 2184

In the matter of the *Companies Act 1938*, and in the matter of **TASMAN TEXTILES PTY. LIMITED** (in Liquidation).

NOTICE is hereby given that an Extraordinary General Meeting of the members of the above-named company will be held at the offices of Smith, Johnson, and Co., 82 Pitt-street, Sydney, on Wednesday, 30th July, 1958, at Ten a.m., for the purpose of receiving the liquidator's accounts and his report upon the winding up.

Dated at Sydney, this 20th day of June, 1958.

S. J. GIBSON, Liquidator, 82 Pitt-street, Sydney.
2194

AUSTRAL BABY CARRIAGES (VIC.) PROPRIETARY LIMITED.

NOTICE is hereby given, pursuant to section 238 of the *Companies Act 1938*, that a Meeting of the creditors of the company will be held at the registered office, 411 Hawthorn-road, Caulfield, on the 7th day of July, 1958, at Three p.m., for the purposes mentioned in sections 238 to 240 of the *Companies Act 1938*.

Dated this 30th day of June, 1958.

2192 D. G. KEATING, Director.

Companies Act 1938.—In the matter of **RHODES AND HERON PROPRIETARY LIMITED** (in Voluntary Liquidation).

NOTICE is hereby given, in pursuance of section 226 of the *Companies Act 1938*, that at an Extraordinary Meeting of the members of the above-named company, held on the 30th June, 1958, a Special Resolution was duly passed that the company be voluntarily wound up and that Herbert John Webster, of 605 Lonsdale-street, Melbourne, accountant, be appointed as liquidator for that purpose.

Dated this 30th day of June, 1958.

2190 H. J. WEBSTER, Liquidator.

The Companies Act 1938.

DAVID MOONEY PTY. LIMITED (IN LIQUIDATION).

NOTICE is hereby given that a First and Final Dividend is intended to be declared in the above matter.

Creditors who have not proved their debts by the 14th day of July, 1958, will be excluded from this dividend.

Dated this 30th day of June, 1958.

J. K. HALL, Liquidator.

Hall and Rose, chartered accountants (Aust.), 390 Little Collins-street, Melbourne. 2189

Companies Act 1938.

THE COMPANY OF THE SISTERS OF ST. JOSEPH OF THE SACRED HEART.

NOTICE OF INTENTION TO APPLY TO ATTORNEY-GENERAL FOR LICENCE, PURSUANT TO SECTION 18 (1).

I, MAUREEN RYAN, of 3 Havelock-road, Hawthorn, on behalf of The Company of the Sisters of St. Joseph of the Sacred Heart about to be formed for the purposes of the promoting of religion and charity, hereby give notice of intention to apply to the Attorney-General for a licence directing that the said association be registered as a company with limited liability without the addition of the word "Limited" to its name.

Dated this 27th day of June, 1958.

MAUREEN RYAN, Mother Provincial.

M. Mornane, solicitor, 95 Queen-street, Melbourne. 2188

THORPE MCCONVILLE PTY. LIMITED
(IN VOLUNTARY LIQUIDATION).

NOTICE CONVENING FINAL MEETING OF MEMBERS, PURSUANT TO SECTION 236 (2).

NOTICE is hereby given, in pursuance of section 236 (2) of the *Companies Act 1938*, that a General Meeting of the members of the above-named company will be held at 316 Pitt-street, Sydney, on Monday, the 4th day of August, 1958, at Ten o'clock in the forenoon, for the purpose of having an account laid before them showing the manner in which the winding up has been conducted and the property of the company disposed of, and of hearing any explanation that may be given by the liquidator.

Dated the 23rd day of June, 1958.

2221 ROBERT JAMES GRIFFITHS, Liquidator.

The Companies Act 1938.—In the matter of **DAMAC PROPRIETARY LIMITED** (IN LIQUIDATION).

NOTICE is hereby given that a First and Final Dividend is intended to be declared in this matter. Creditors who have not proved their debts by the 18th July, 1958, will be excluded from the dividend.

Dated this 27th day of June, 1958.

E. R. SMAIL, Liquidator.

Kennedy, Smail and Middlemiss, 31 Queen-street, Melbourne. 2240

Victorian Companies Act 1938.

MODERN PERMANENT BUILDING AND INVESTMENT SOCIETY (IN VOLUNTARY LIQUIDATION).
PURSUANT TO SECTION 236 (3).

NOTICE is hereby given that the Final Meeting of the shareholders of Modern Permanent Building and Investment Society (in Voluntary Liquidation) will be held at the offices of M. G. Roberts and Co., 420 St. Kilda-road, Melbourne, S.C.2, on the 8th day of August, 1958, at 10 a.m. for the purpose of having laid before it an account, showing how the winding up of the company has been conducted and the property of the company has been disposed of.

2239 M. G. ROBERTS, Liquidator.

Companies Act 1938.

THE ORPHEUM THEATRE COMPANY PROPRIETARY LIMITED.

AT an Extraordinary General Meeting of the above-named company, duly convened and held at 360 Collins-street, Melbourne, on the 26th day of June, 1958, the following Special Resolution was duly passed:

"That the company be wound up voluntarily."

Dated the 26th day of June, 1958.

S. C. HENKE, Secretary.

Arthur Robinson and Co., 360 Collins-street, Melbourne, solicitors to the above-named company. 2236

AUSTRAL CREDITS PTY. LTD. (IN LIQUIDATION).

NOTICE is hereby given that a Final Meeting of shareholders of Austral Credits Pty. Ltd. (in Liquidation) will be held at the office of Alexander and Boehme, 3rd floor, 454 Collins-street, Melbourne, on Monday, 4th August, 1958, at 9.30 a.m., for the purpose of laying before the meeting the final accounts of the liquidator, in compliance with section 236 (1) of the *Companies Act 1938*.

2245 A. B. CURRIE, Liquidator.

Companies Act 1938.

DON INVESTMENTS PROPRIETARY LIMITED
(IN VOLUNTARY LIQUIDATION).

NOTICE is hereby given pursuant to section 226 of the *Companies Act 1938*, that at a General Meeting of members of the above-named company held at 368 Collins-street, Melbourne, on the 25th day of June, 1958, a Special Resolution was passed to the effect that the company be wound up voluntarily and that William James Donovan, of 368 Collins-street, Melbourne, be appointed liquidator for the purposes of such winding up.

2241 W. J. DONOVAN, Liquidator.

In the Supreme Court.—In the matter of Part I. of the *Companies Act 1938*, and in the matter of **WOOLCOT WEAVING MILLS PTY. LIMITED**.

WINDING up order made the 27th day of June, 1958, Magnus Victor Anderson, of 377 Little Collins-street, Melbourne, named as Official Liquidator.

Dated the 30th day of June, 1958.

MADDEN, BUTLER, ELDER & GRAHAM, solicitors for the petitioning creditors. 2228

No. 10453/8.—*Companies Act 1938*.—In the matter of **NATYA WEIGHBRIDGE PTY. LIMITED**.

AT an Extraordinary General Meeting of the above company duly convened and held at 49 McCallum-street, Swan Hill, on the 25th day of June, 1958, the following Resolution was passed as a Special Resolution:—

"That the company be wound up voluntarily," and at such last-mentioned meeting Frederick Jukes, accountant, of Swan Hill, was appointed liquidator for the purpose of winding up. 2223

EVEREST PRESS WORKS PTY. LTD.

Registered office: Sherbourne-road, Briar Hill,
Greensborough.

NOTICE is hereby given that the following Resolution was passed at an Extraordinary General Meeting of shareholders of Everest Press Works Pty. Ltd., held on the 27th June, 1958:—

“That the directors' recommendation that the company be wound up voluntarily as a members' voluntary winding up, and that the assets of the company be distributed to the shareholders, be accepted.”

2206

J. W. HENLEY, Liquidator.

CREDITORS, next of kin, and others having claims in respect of the estate of Percy George Bemrose Coates late of Natte Yallock, grazier, deceased (who died on the 14th day of February, 1958), are to send particulars of their claims to The Fidelity Trustee Company Limited, of 101 Lydiard-street north, Ballarat, and Albert George Neville Coates, of Natte Yallock, grazier, care of the said company, on or before the 18th day of September, 1958, after which date it and he will distribute the assets, having regard only to the claims of which it and he then have notice.

HERRING, BATHURST & BRUCE, solicitors, Maryborough. 2246

CREDITORS, next of kin, and others having claims in respect of the estate of Germaine Henriette Hooke, late of 108 Sackville-street, Kew, married woman, deceased (who died on the 2nd December, 1957), are to send particulars of their claims to Austin Charles Mulkearns, care of the undersigned solicitors, by the 28th August, 1958, after which date he will distribute the assets, having regard only to the claims of which he shall then have had notice.

MORGAN, FYFFE & MULKEARN, 108 Queen-street, Melbourne. 2244

CREDITORS, next of kin, and others having claims in respect of the estate of Albert Charles Barr, formerly of 151 Kangaroo-road, Oakleigh, late of 109 Caroline-street, South Yarra, retired dairy supervisor, deceased (who died on the 8th day of April, 1958), are to send particulars of their claims to The Trustees, Executors and Agency Company Limited, of 401 Collins-street, Melbourne, by the 26th day of September, 1958, after which date it will distribute the assets, having regard only to the claims of which it then has notice.

LESTER & PEARN, solicitors, 443 Little Collins-street, Melbourne. 2242

CREDITORS, next of kin, and others having claims in respect of the estate of Henry Robert Groves, late of 12 Orrong-crescent, Caulfield, manufacturer, deceased (who died on 25th September, 1955), are to send particulars of their claims to the executors, Rose Groves and Leo Tait, care of the undersigned solicitors, by the 2nd day of September, 1958, after which date the executors will distribute the assets, having regard only to the claims of which they then have notice.

EGGLESTON, LEE & CLIFTON-JONES, 578 Bourke-street, Melbourne, solicitors. 2238

CREDITORS, next of kin, and others having claims against the estate of Jessie Robertson, late of “Craigmillar,” 14 Alicia-street, Hampton, married woman, deceased (who died on the 6th day of April, 1957), are required by the administrator of the estate. The Union Trustee Company of Australia Limited, of 333 Collins-street, Melbourne, to send particulars of their claims to it by the 5th day of September, 1958, after which date the company will distribute the assets, having regard only to the claims of which it then has notice.

K. P. REES, B.A., LL.B., solicitor, 314 Collins-street, Melbourne. 2237

CREDITORS, next of kin, and others having claims in respect of the estate of John Holmes Shaw, late of 56 Avoca-street, South Yarra, medical practitioner, deceased (who died on the 20th February, 1958), are to send particulars of their claims to The Trustees, Executors, and Agency Company Limited, whose registered office is at 401 Collins-street, Melbourne, or Edwin Colquhoun Kennon, of 459 Little Collins-street, Melbourne, on or before the 17th day of September, 1958, after which date the said company and Edwin Colquhoun Kennon will distribute the assets, having regard only to the claims of which the company and he have then had notice.

WEIGALL & CROWTHER, 459 Little Collins-street, Melbourne. 2185

CREDITORS, next of kin, and others having claims in respect of the estate of Elizabeth Lamb, late of 7 Birdwood-street, Balwyn, widow, deceased (who died on the 1st day of December, 1957), are to send particulars of their claims to the Public Trustee, of 601 Little Collins-street, Melbourne, by the 4th day of September, 1958, after which date it will distribute the assets, having regard only to the claims of which it then has notice.

CORR & CORR, solicitors, 104 Queen-street, Melbourne. 2186

CREDITORS, next of kin, and others having claims in respect of the estate of Gottfried Henry Thiele, formerly of 1 Walkers-road, Nunawading, but late of 23 Bond-street, Ringwood, gentleman, deceased (who died on 10th June, 1957), are to send particulars of their claims to Franz Eric Thiele, of Mitcham-road, Donvale, orchardist, the executor of the will of the said deceased, by the 27th August, 1958, after which date the said executor will distribute the assets, having regard only to the claims of which he shall then have had notice.

H. L. YUNCKEN & YUNCKEN, solicitors, 443 Little Collins-street, Melbourne. 2187

CREDITORS, next of kin, and others having claims in respect of the estate of Horace Arthur Parsons, late of 14 Denver-crescent, Elsternwick, in the State of Victoria, retired bank officer, deceased (who died on the 3rd day of February, 1958), are required to send particulars of their claims to The Perpetual Executors and Trustees Association of Australia Limited, of 100-104 Queen-street, Melbourne, in the said State, by the 12th day of September, 1958, after which date it will distribute the assets, having regard only to the claims of which it then has notice.

MALLESON, STEWART, & CO., solicitors, 105 King-street, Melbourne. 2235

CREDITORS, next of kin, and others having claims in respect of the estate of Cyril Justin McCarthy, late of 318 Flinders-lane, Melbourne, merchant, deceased (who died on the 29th day of November, 1957), are requested to send particulars of their claims to the executors, Michael Dermot McCarthy and Gordon Rennick, care of the undersigned, on or before the 6th day of September, 1958, after which date they will distribute the assets, having regard only to the claims of which they shall then have had notice.

GORDON RENNICK & GAYNOR, solicitors, 473 Bourke-street, Melbourne. 2233

CREDITORS, next of kin, and others having claims in respect of the estate of Ernest James Peck (formerly known as Ernest James Pach and sometimes Ernest Pach), late of Mountain Highway, Bayswater, orchardist, deceased (who died on the 15th day of November, 1956), are requested to send particulars of their claims to the executor, Keith Chandler, care of the undersigned, on or before the 6th day of September, 1958, after which date he will distribute the assets, having regard only to the claims of which he shall then have had notice.

GORDON RENNICK & GAYNOR, solicitors, 473 Bourke-street, Melbourne. 2231

CREDITORS, next of kin, and others having claims in respect of the estate of Sarah Elder, formerly of Blackburn-road, Doncaster East, but late of 19 Jersey-street, Balwyn, widow (who died on the 16th day of July, 1957), are requested to send particulars of their claims to the executor, Gordon Rennick, care of the undersigned, on or before the 6th day of September, 1958, after which date he will distribute the assets, having regard only to the claims of which he shall then have had notice.

GORDON RENNICK & GAYNOR, solicitors, 473 Bourke-street, Melbourne. 2232

CREDITORS, next of kin, and others having claims in respect of the estate of Caroline Lucy Jamison, formerly of 5 Catherine-street, Canterbury, but late of Banksia-street, Bulleen, spinster, deceased (who died on the 8th day of January, 1958), are requested to send particulars of their claims to the executors, Lila Florence Wilson and Gordon Rennick, care of the undersigned, on or before the 6th day of September, 1958, after which date they will distribute the assets, having regard only to the claims of which they shall then have had notice.

GORDON RENNICK & GAYNOR, solicitors, 473 Bourke-street, Melbourne. 2230

CREDITORS, next of kin, and others having claims in respect of the estate of Cyriakos Callis (usually known as Charles Callis, but also known as Challis Callis), formerly of 6 Budd-street, Coburg, but late of 14 Brooklyn-avenue, Caulfield, confectioner, deceased (who died on the 4th day of April, 1957), are requested to send particulars of their claims to the executor, Gordon Rennick, care of the undersigned, on or before the 6th day of September, 1958, after which date he will distribute the assets, having regard only to the claims of which he shall then have had notice.

GORDON RENNICK & GAYNOR, solicitors, 473 Bourke-street, Melbourne. 2229

CREDITORS, next of kin, and others having claims in respect of the estate of Henry Hugh Tandy, late of 13 Manor-street, Brighton, in the State of Victoria, merchant, deceased (who died on the 7th day of September, 1956), are to send particulars of their claims to the executors, Rose Ellen Tandy, of 13 Manor-street, Brighton, in the State of Victoria, widow, Charles Arthur Tandy, of Myrona-avenue, Glenunga, in the State of South Australia, company director, and Fred Miller Robinson, of 454 Collins-street, Melbourne, in the State of Victoria, solicitor, care of the undersigned, on or before the 15th day of September, 1958, after which date they will distribute the assets, having regard only to the claims of which they then have notice.

F. MILLER, ROBINSON, & CO., solicitors, 454 Collins-street, Melbourne. 2227

CREDITORS, next of kin, and others having claims in respect of the estate of George James Rankin, late of Bamawm, in the State of Victoria, farmer, and former senator, deceased (who died on the 28th day of December, 1957), are required by the executrix, Jessie Marjorie Asenath Mundie, of Rochester, in the said State, to send particulars to her, care of the under-mentioned solicitors, by the 15th day of September, 1958, after which date she will distribute the assets, having regard only to the claims of which she then has notice.

H. W. RALEIGH & ROBERTS, solicitors, Rochester. 2224

MARY MARGARET NELSON, late of Swan Hill, in the State of Victoria, domestic duties, DECEASED (who died on the 20th April, 1958).

CREDITORS, next of kin, and all other persons having claims against the estate of the deceased, are required by the executors of the will, John Thomas Nelson, of 35 South-street, Moe, in the said State, carpenter, and Albert Frederick Nelson, of 11 George-street, Moonee Ponds, in the said State, railway employee, to send particulars to them, care of the undersigned, on or before the 1st day of October, 1958, after which date they will distribute the assets, having regard only to the claims of which they then have notice.

GARDEN & GREEN, solicitors, McCallum-street, Swan Hill. 2209

DONALD EDGAR LEWIS, formerly of Koraleigh, in the State of New South Wales, but late of Nyah, in the State of Victoria, orchardist, DECEASED (who died on the 14th day of January, 1958).

CREDITORS, next of kin, and all other persons having claims against the estate of the deceased, are required by the executrix of the will, Lucy Edna Lewis, of Nyah aforesaid; widow, to send particulars to her, care of the undersigned, on or before the 1st day of October, 1958, after which date she will distribute the assets, having regard only to the claims of which she then has notice.

GARDEN & GREEN, solicitors, McCallum-street, Swan Hill. 2210

ELLEN MADELINE SENDY, late of Nyah, in the State of Victoria, married woman, DECEASED, intestate (who died on the 8th April, 1958).

CREDITORS, next of kin, and all other persons having claims against the estate of the deceased, are required by the administrator, Walter Laurence Sendy, of Nyah aforesaid, timber cutter, to send particulars to him, care of the undersigned, on or before the 1st day of October, 1958, after which date he will distribute the assets, having regard only to the claims of which he then has notice.

GARDEN & GREEN, solicitors, McCallum-street, Swan Hill. 2211

Trustee Act 1953.

NOTICE TO CLAIMANTS.

PURSUANT to the *Trustee Act 1953*, creditors, next of kin, and all other persons having claims in respect of the estate of any deceased person named below are required to send particulars to the legal personal representative or representatives at the address stated below, on or before the date stated, after which date the representative will distribute the assets, having regard only to the claims of which notice has been received:—

Denis Francis O'Rourke, late of 8 Tait-street, Footscray, storeman, deceased, died on the 31st day of March, 1958.—Claims to the executrix, Rosanna O'Rourke, of 8 Tait-street, Footscray, widow, care of John F. Carroll, solicitor, 4 Paisley-street, Footscray, by the 5th day of September, 1958.—John F. Carroll, LL.B., solicitor, 4 Paisley-street, Footscray. 2204

Tehvoll Marie Dargatz, late of 37 Grout-street, Hampton, widow, deceased, who died on 18th September, 1957.—Claims to the executors, James Edward Sylvester Watson, of "Kalwood", Canterbury-road, South Blackburn, Salvation Army Officer, and Robina McLeod Grant, of 7 Thomas-street, Hampton, estate agent, care of William Polkinghorne, of Railway Walk, Hampton, by 6th September, 1958. William Polkinghorne, solicitor, Railway Walk, Hampton. 2183

FLORA HAM, late of "Cranleigh," High-street, South Echuca, widow, DECEASED.

CREDITORS, next of kin, and others having claims in respect of the estate of the deceased (who died on 12th August, 1957), are required by Norman Leslie Ham, of Pine-street, Echuca, agent, and Hazel Marguerite Beer, of Cornelia Creek-road, Echuca, farmer, the executor and executrix of the will of the said deceased, to send particulars to them by the 25th August, 1958, after which date the assets of the said deceased may be conveyed or distributed by them, having regard only to the claims of which they then have notice.

STEWART, SONS, & DONOHUE, solicitors, Echuca. 2222

WILLIAM HENRY LEE, late of Swan Hill, in the State of Victoria, labourer, DECEASED.

CREDITORS, next of kin, and others having claims in respect of the estate of the deceased (who died on the 15th day of August, 1955), are required by the administrator, Sandhurst and Northern District Trustees, Executors, and Agency Company Limited, of View-street, Bendigo, to send particulars to it, care of the undersigned, by the 15th day of September, 1958, after which date the administrator may convey or distribute the assets, having regard only to the claims of which it then has notice.

ALEC M. HAYES, solicitor, 199 Campbell-street, Swan Hill. 2218

LESLIE GEORGE RUMPF (also known as Leslie Rumpf and Leslie George Rump), late of 16 Leveson-street, North Melbourne, retired storeman, DECEASED.

CREDITORS, next of kin, and others having claims in respect of the estate of the deceased (who died on the 7th day of February, 1958), are required to send particulars of such claims to the executrix, Eileen Alethea Irving, addressed to her, care of Messieurs Ronald Stewart and McIntosh, of 422 Collins-street, Melbourne, on or before the 10th day of September, 1958, after which date the assets will be distributed, having regard only to the claims of which the said executrix then has notice.

RONALD STEWART & MCINTOSH, solicitors, 422 Collins-street, Melbourne. 2203

JEAN MCFARLANE, late of Drummond-street, Ballarat, in the State of Victoria, spinster, DECEASED (who died on the 30th day of April, 1958).

CREDITORS, next of kin, and all other persons having claims against the estate of the said deceased are required by the executor, Desmond Clive Gaunt, of 41 Lydiard-street south, Ballarat, solicitor, to send detailed particulars of their claims in respect of the said property to the said executor, on or before the 4th day of September, 1958, after which date he will proceed to distribute the said estate, having regard only to the claims of which he then has notice.

Dated this 27th day of June, 1958.

R. H. RAMSAY & GAUNT, 41 Lydiard-street, Ballarat, solicitors for the said executor. 2200

CREDITORS, next of kin, and others having claims in respect of the estate of Ellen Lade, late of 1 Victoria-avenue, Elsternwick, widow, deceased (who died on 3rd October, 1957), are to send particulars of their claims to The Equity Trustees, Executors, and Agency Company Limited, of 472 Bourke-street, Melbourne, before the 15th day of September, 1958, after which date it will distribute the assets, having regard only to the claims of which it then has notice.

EALES & MILLER, solicitors, 443 Little Collins-street, Melbourne. 2207

JESSIE LOUISA PAGE, late of 123 Moray-street, South Melbourne, widow, DECEASED.

CREDITORS, next of kin, and others having claims in respect of the estate of the deceased (who died 18th October, 1956), are required by deceased's personal representative, Olive Louise Davies, of 27 Vickery-street, Bentleigh, to send particulars to her, in care of the undersigned, by the 31st July, 1958, after which date she may proceed to distribute the assets, having regard only to claims of which she then has notice.

G. S. BERRIGAN, solicitor, of South Melbourne. 2208

CREDITORS, next of kin, and others having claims in respect of the estate of Anne Ellen Scott, late of 1325 Burke-road, Kew, married woman, deceased (who died on the 30th day of December, 1957), are required to send the particulars of their claims to the National Trustees, Executors, and Agency Company of Australasia Limited, of 95 Queen-street, Melbourne, by the 16th day of September, 1958, after which date it will distribute the assets, having regard only to the claims of which it then has notice.

RONALD STEWART & MCINTOSH, solicitors, 422 Collins-street, Melbourne. 2205

CREDITORS, next of kin, and others having claims in respect of the estate of Mary Mark Allan, late of 23 David-street, Horsham, in the State of Victoria, spinster, deceased (who died on the 30th day of August, 1957), are to send the particulars of their claims to The Union Trustee Company of Australia Limited, of 333 Collins-street, Melbourne, by the 15th day of September, 1958, after which date it will distribute the assets, having regard only to the claims of which it then has notice.

STEWART F. BROWN & PROUDFOOT, solicitors, Horsham. 2197

ALBERT NORMAN YOUNG, late of Rubery-street, Moe, retired cafe proprietor, DECEASED.

CREDITORS, next of kin, and others having claims in respect of the estate of the deceased (who died on 21st December, 1957), are required by the executrix, Vera Merle Young, of Rubery-street, Moe, to send particulars to her, care of the undersigned solicitors, by the 10th day of September, 1958, after which date the executrix may convey or distribute the assets, having regard only to the claims of which she then has notice.

GRAY, FRIEND, & LONG, solicitors, Warragul. 2191

NELLIE TAYLOR, late of 605 Skipton-street, Ballarat, spinster, DECEASED (who died on the 14th June, 1957).

CREDITORS, next of kin, and all persons having claims against the estate of the deceased are required to send particulars to the executors, Walter Henry Heinz and Ian Alexander Gordon, both of 22 Lydiard-street south, Ballarat, solicitors, care of the address below given, on or before the 5th day of September, 1958, after which date they will distribute the assets, having regard only to the claims of which they shall then have notice.

HEINZ & GORDON, solicitors, 22 Lydiard-street south, Ballarat. 2199

MINING NOTICE

SOUTH ALLIGATOR URANIUM NO LIABILITY.

NOTICE is hereby given that a Call (the Fifth) of Six pence per share, on all issued contributing shares in the capital of the company, making such shares paid to Four shillings and six pence each, has been made, due and payable, in the case of shares on the Melbourne Register to the registered office of the company, 11th Floor, 100 Collins-street, Melbourne, Victoria, and, in the case of shares on the Adelaide Register, to the Adelaide

office of the company, 7th Floor, 68 Grenfell-street, Adelaide, South Australia, on Wednesday, 9th day of July, 1958.

By order of the Board,

M. B. GEMMELL, Legal Manager.

11th Floor, 100 Collins-street, Melbourne, C.I, Victoria, 23rd June, 1958. 2243

IMPOUNDINGS

BALLAN.—Impounded in Ballan Pound.

1 roan Jersey cross heifer, no visible brand, red calf, about 6 months old, at foot

If not claimed and expenses paid, to be sold on 11th July, 1958.

D. J. WHEILAHAN, Poundkeeper. 2254—10/6

BALLARAT.—Impounded in Ballarat Shire Pound.

1 broken Jersey cow, no visible brand
1 yellow cow, no visible brand

If not claimed and expenses paid, to be sold on 18th July, 1958.

J. A. WILSON, Poundkeeper. 2262—10/6

BEECHWORTH.—Impounded in Beechworth Pound.

1 Jersey springer, no visible brand
1 Hereford steer calf, no visible brand

If not claimed and expenses paid, to be sold on 17th July, 1958.

W. PAULL, Poundkeeper. 2255—10/6

BERWICK.—Impounded in Berwick Pound.

1 black cow, white flanks, white star on forehead, under quarter out off ear, no visible brand
1 brown Jersey heifer, no visible brand
1 black Jersey cross cow, under quarter out off ear, no visible brand
1 Jersey heifer, no visible brand
1 dark Jersey cow, no visible brand

If not claimed and expenses paid, to be sold on 18th July, 1958.

P. E. ALLISON, Poundkeeper. 2261—18/

BOX HILL.—Impounded in Box Hill Pound, by Ranger.

1 black male goat, white feet, white patch, no visible brand

If not claimed and expenses paid, to be sold on 17th July, 1958.

R. KENNEDY, Poundkeeper. 2257—10/6

COBRAM.—Impounded in Cobram Pound.

1 red heifer, no visible brand
1 Jersey bull calf, no visible brand

If not claimed and expenses paid, to be sold on 9th July, 1958.

L. J. CRAMMOND, Poundkeeper. 2252—10/6

COLERAINE.—Impounded in Coleraine Pound, by H. McKenry, from his paddock at Tarrenlea.
No. 295. 1 Corriedale ram, no visible brand, tag off ear, J.R.C-C2445

If not claimed and expenses paid, to be sold on 12th July, 1958.

W. J. MILLS, Poundkeeper. 2259—12/

DANDENONG.—Impounded in Dandenong Pound, by Shire Ranger, from Ross-street, Dandenong.

1 dark-brown light mare, no visible brand
If not claimed and expenses paid, to be sold on 18th July, 1958.

By Market Superintendent, H. V. Jordan, from Dandenong Market.

1 black and white cow, dehorned, notch left ear, no visible brand
1 black and white cow, dehorned, no visible brand
If not claimed and expenses paid, to be sold on 22nd July, 1958.

2256—f1 ls. A. WALKER, Poundkeeper.

ELLIMINYT.—Impounded in Colac Shire Pound, Elliminyt.

1 Jersey bull, no visible brand
If not claimed and expenses paid, to be sold on 10th July, 1958.

2260—10/6 G. J. DUNN, Poundkeeper.

ELTHAM.—Impounded in Eltham Shire Pound, by Ranger.

2 Shorthorn cross heifers, no visible brand
If not claimed and expenses paid, to be sold on 19th July, 1958.

2265—10/6 A. GRAHAM, Poundkeeper.

FERNTREE GULLY.—Impounded in Ferntree Gully Pound, by S. Finn.

1 brown and white cow, no visible brand
1 black and white cow, no visible brand
If not claimed and expenses paid, to be sold at Dandenong Sale Yards on 21st July, 1958.

2264—12/ A. GROGAN, Poundkeeper.

OXLEY.—Impounded in Oxley Pound, from Bobinawarah East, by Herdsman.

1 broken coloured Jersey heifer, springing, V out of the point of off ear, no visible brand
1 yellow Jersey heifer, V out of the point of off ear, no visible brand
If not claimed and expenses paid, to be sold on 17th July, 1958.

2250—15/ M. J. WARREN, Poundkeeper.

RED CLIFFS.—Impounded in Red Cliffs Pound.

30 sheep (including 3 Corriedale cross rams, no visible brand), some notched right ear and some left ear, some branded like HS on back, some lambs at foot
If not claimed and expenses paid, to be sold on 10th July, 1958.

2253—12/ J. HERAUD, Poundkeeper.

SEBASTOPOL.—Impounded in Sebastopol Pound.

1 red bull calf, notch out of left ear, no visible brand
If not claimed and expenses paid, to be sold on 17th July, 1958.

2263—9/ E. M. PHILLIPS, Poundkeeper.

WARRNAMBOOL.—Impounded in Warrnambool Pound.

6 sheep, green paint on top of head and along back, red mark put on nose for identification purpose
If not claimed and expenses paid, to be sold on 15th July, 1958.

2258—10/6 V. MCKAY, Poundkeeper.

YAMBUK.—Impounded in Yambuk Pound.

1 springer Jersey cow, no visible brand
If not claimed and expenses paid, to be sold on 3rd July, 1958.

2251—9/ E. CAIN, Poundkeeper.

STATE ACTS, 1952.

COPIES of the following Acts of Parliament of Victoria may be obtained at the Government Printing Office, or from any bookseller, at the price set opposite to each:—

No.	Price.
	s. d.
5620. Consolidated Revenue	0 6
5621. Consolidated Revenue	0 6
5622. Lands (Charitable Trusts)	0 6
5623. Registration of Births Deaths and Marriages	0 6
5624. Forests (Exchange of Lands)	0 6
5625. Geelong Harbor Trust (Financial)	1 3
5626. Coal Mine Workers Pensions (Amendment)	0 6
5627. County Court (Amendment)	0 9
5628. Mines (Amendment)	0 9
5629. Consolidated Revenue	0 6
5630. Teaching Service (Amendment)	0 6
5631. Land (Development Leases) Amendment	0 6
5632. Supreme Court (Judge's Cost of Living)	0 6
5633. Weights and Measures (Amendment)	0 6
5634. Veterinary Surgeons (Foreign Qualification)	0 6
5635. State Electricity Commission (Appliances)	0 6
5636. Prices Regulation (Butter and Cheese)	0 6
5637. Water	1 0
5638. Co-operative Housing Societies (Guarantees and Indemnities)	0 6
5639. State Electricity Commission (Borrowing)	0 6
5640. Country Roads (Amendment)	0 6
5641. Motor Car (Amendment)	0 6
5642. Land Tax	0 6
5643. Hairdressers Registration (Amendment)	0 6
5644. Totalizator (Amendment)	0 6
5645. Melbourne and Metropolitan Tramways (Fire Brigades Payments)	0 6
5646. Health (Meat Supervision)	0 6
5647. Evidence	0 6
5648. Imported Materials Loan and Application (Amendment)	0 6
5649. Geelong Waterworks and Sewerage (Amendment)	0 6
5650. Building Operations and Building Materials Control	0 6
5651. Country Fire Authority	0 9
5652. Parliamentary Contributory Retirement Fund	0 6
5653. Miners' Phthisis (Treasury Allowances) Amendment	0 6
5654. Girl Guides Association	1 0
5655. Consolidated Revenue	0 6
5656. Revenue Deficit Funding	0 6
5657. Public Works Loan Application	0 6
5658. Local Government (Imported Houses)	0 6
5659. Railway Loan Application	1 0
5660. State Forests Loan Application	0 6
5661. Water Supply Loan Application	1 0
5662. Hospital Benefits	0 9
5663. Appropriation of Revenue	4 3

W. M. HOUSTON,
Government Printer.

STATE ACTS, 1953.

COPIES of the following Acts of Parliament of Victoria may be obtained at the Government Printing Office, or from any bookseller, at the price set opposite to each:—

No.	Price.
	s. d.
5664. Parliamentary Elections (State Servants)	0 6
5665. Factories and Shops (Industrial Appeals Court)	0 6
5666. Adoption of Children (Amendment)	0 6
5667. Select Committee (Potato Marketing)	0 6
5668. Melbourne and Metropolitan Board of Works (Borrowing Powers)	0 6
5669. Water (Amendment)	0 6
5670. Trustee (Amendment)	0 6
5671. Public Account (Amendment)	0 6
5672. Transport Regulation (Amendment)	0 6
5673. Superannuation Police and State Pensions	0 6
5674. Coal Mine Workers' Pensions (Amendment)	0 6
5675. Health (Plumbers and Gas-fitters)	0 6
5676. Workers Compensation	1 3
5677. Parking of Vehicles	0 9
5678. Melbourne Harbor Trust (Tolls)	0 6
5679. The Geelong Gas Company's	0 6
5680. Barley Marketing (Amendment)	0 6
5681. Benefit Associations	0 9
5682. Consolidated Revenue	0 6
5683. Electoral Districts	0 9

STATE ACTS, 1953.—*continued.*

No.	Description	Price.	
		s.	d.
5684.	Crown Hotel, Traralgon, Licence	0	6
5685.	Barley Marketing	0	6
5686.	Public Trustee (Common Fund)	0	6
5687.	Consolidated Revenue	0	6
5688.	Consolidated Revenue	0	6
5689.	Goods (Sale of Sheep Skins)	0	6
5690.	Superannuation (Newport "A" Employés)	0	6
5691.	Free Presbyterian Church Property	1	3
5692.	Bendigo Gas Company's	0	6
5693.	Entertainments Tax	1	3
5694.	Co-operative Housing Societies (Amendment)	0	9
5695.	Footscray and Maribyrnong Tramway Construction	0	6
5696.	Wheat Marketing	0	9
5697.	Melbourne Harbor Trust (Amendment)	0	6
5698.	Cancer Institute (Loan Moneys)	0	6
5699.	Nurses and Midwives	0	6
5700.	Opticians Registration (Fees)	0	6
5701.	Grain Elevators (Damages)	0	6
5702.	Coroners	0	6
5703.	Evidence (Amendment)	0	6
5704.	Wrongs (Damage by Aircraft)	0	6
5705.	Tattersall Consultations	0	9
5706.	Factories and Shops (Long-service Leave)	1	3
5707.	Architects (Amendment)	0	6
5708.	Swine Compensation	0	6
5709.	Essendon Land (Amendment)	0	9
5710.	Marketing (Egg and Egg Pulp)	0	6
5711.	Building Societies	0	6
5712.	Country Fire Authority (Finance)	0	6
5713.	Land Surveyors	0	6
5714.	Poisons (Heroin)	0	6
5715.	Workers Compensation (Amendment)	0	6
5716.	Castlemaine Gas Company's	0	6
5717.	Junior Legacy, Melbourne (Dureau Memorial)	0	6
5718.	Trustee Companies (Commission)	0	6
5719.	Prices Regulation (Continuation)	0	6
5720.	Factories and Shops (Wages Boards)	0	6
5721.	Consolidated Revenue	0	6
5722.	Railways (Mount Buffalo Chalet)	0	6
5723.	Revenue Deficit Funding	0	6
5724.	Oldham Trusts	0	6
5725.	Gas and Fuel Corporation (Financial)	0	6
5726.	State Forests Loan Application	0	6
5727.	Hotham Heights Land	0	6
5728.	Maintenance (Amendment)	0	9
5729.	Revocation and Excision of Crown Reservations	0	9
5730.	Local Government (Imported Houses)	0	6
5731.	Health (Proprietary Medicines)	0	9
5732.	Jurles (Fees)	0	6
5733.	Public and Bank Holidays	0	6
5734.	Superannuation Police and State Pensions (Extension)	0	6
5735.	Ballaarat Gas Company's	0	6
5736.	Building Operations and Building Materials Control (Extension)	0	6
5737.	Statute Law Revision Committee (Amendment)	0	6
5738.	Licensing (Chairman of Courts)	0	6
5739.	Housing	0	9
5740.	Police Offences (Trotting Races)	0	6
5741.	Bookmakers	1	6
5742.	Latrobe Valley Water and Sewerage	0	9
5743.	Corio to Newport Pipeline	0	6
5744.	Motor Car (Visiting Cars and Drivers)	0	6
5745.	Local Government (Amendment)	0	6
5746.	Country Sewerage Loan Application	0	6
5747.	Sewerage Districts (Amendment)	0	9
5748.	Water Supply Loan Application	1	0
5749.	Entertainments Tax (Amendment)	0	6
5750.	Patriotic Funds (Amendment)	0	6
5751.	Motor Car (Fees)	0	6
5752.	Goods (Textile Products)	0	6
5753.	Statute Law Revision	0	9
5754.	Police Offences (Cranbourne and Werribee Racecourses)	0	6
5755.	Melbourne and Metropolitan Board of Works (Reconstitution)	1	0
5756.	Melbourne and Metropolitan Tramways	0	6
5757.	Statutes Amendment	0	9
5758.	Gas and Fuel Corporation (Mordialloc Undertaking)	0	9
5759.	Gas and Fuel Corporation (Traralgon Undertaking)	0	9
5760.	Landlord and Tenant	1	6
5761.	Transport (Amendment)	0	9
5762.	Railway Loan Application	1	0
5763.	Public Works Loan Application	0	6
5764.	Land Tax (Exemptions and Rates)	0	9
5765.	Medical (Registration)	0	6

STATE ACTS, 1953.—*continued.*

No.	Description	Price.	
		s.	d.
5766.	Supreme Court (Judges)	0	6
5767.	Licensing (Amendment)	0	6
5768.	Land Settlement	2	0
5769.	Co-operation	3	0
5770.	Trustee	3	0
5771.	Labour and Industry	4	9
5772.	Appropriation of Revenue	4	3

W. M. HOUSTON,
Government Printer.

STATE ACTS, 1954.

COPIES of the following Acts of Parliament of Victoria may be obtained at the Government Printing Office, or from any bookseller, at the price set opposite to each:—

No.	Description	Price.	
		s.	d.
5773.	Coal Mine Workers Pensions (Amendment)	0	6
5774.	Police Offences (Unlawful Games)	0	6
5775.	Local Government (City of Sunshine)	0	6
5776.	State Savings Bank (Deposits)	0	6
5777.	Chandler Highway and Bridge	0	6
5778.	Town and Country Planning	1	0
5779.	Police Offences (Obscene Publications)	0	9
5780.	Health (Infectious Diseases)	0	6
5781.	Melbourne Cricket Ground (Guarantee)	0	6
5782.	Superannuation (Female Officers)	0	6
5783.	Crimes	0	6
5784.	Melbourne and Metropolitan Tramways (Board)	0	9
5785.	Consolidated Revenue	0	6
5786.	Consolidated Revenue	0	6
5787.	Consolidated Revenue	0	6
5788.	Auditor-General's Salary	0	6
5789.	Corneal Grafting	0	6
5790.	Totalizer (Amendment)	0	6
5791.	Country Roads and Level Crossings Funds	0	6
5792.	Entertainments Tax (Amendment)	0	6
5793.	Finance (Racing)	1	0
5794.	Bellarine Water Supply	0	6
5795.	Melbourne and Metropolitan Board of Works (Amendment)	0	6
5796.	Apprenticeship (Amendment)	0	6
5797.	Judges (Powers)	0	6
5798.	Goods (Amendment)	0	6
5799.	Police Offences (Female Offenders)	0	6
5800.	Friendly Societies (Amendment)	0	6
5801.	Portland Harbor Trust (Amendment)	0	6
5802.	Public Service (Amendment)	0	6
5803.	Geelong and District Cultural Institute	0	9
5804.	Vermin and Noxious Weeds (Amendment)	0	9
5805.	Surplus Revenue	0	6
5806.	Gas Regulation (Amendment)	0	9
5807.	Parking of Vehicles (Amendment)	0	6
5808.	Parliamentary Salaries and Allowances	0	9
5809.	County Court (Judges)	0	6
5810.	Swan Hill Lands Exchange	0	6
5811.	Miners' Phthisis (Treasury Allowances) Amendment	0	6
5812.	Gas and Fuel Corporation (Kyneton Undertaking)	0	9
5813.	Dog Races	1	3
5814.	Infectious Diseases Hospitals	1	0
5815.	Public Officers Salaries	0	6
5816.	Wheat Industry Stabilization	1	3
5817.	Children's Welfare	2	0
5818.	Consolidated Revenue	0	6
5819.	Mental Hygiene (Maintenance)	0	6
5820.	Parliamentary Contributory Retirement Fund	0	6
5821.	Water Supply Loan Application	1	0
5822.	Napier-street Bridge	0	9
5823.	Health (Amendment)	1	6
5824.	Forests (Amendment)	0	9
5825.	Co-operative Housing Societies (Guarantees)	0	6
5826.	Midwives (Amendment)	0	6
5827.	State Electricity Commission (Borrowing)	0	6
5828.	Justices (Amendment)	0	6
5829.	Fire Brigades (Amendment)	0	9
5830.	Mildura College Lands (Amendment)	0	6
5831.	Country Roads (Amendment)	0	6
5832.	Soldier Settlement (Financial)	0	6
5833.	River Murray Waters	0	9
5834.	Town and Country Planning (Metropolitan Area)	1	0
5835.	Housing	0	9
5836.	Gas and Fuel Corporation (Mornington Undertaking)	0	9
5837.	Railways (Commissioners' Salaries)	0	6
5838.	Water	0	9

STATE ACTS, 1954—continued.

No.	Price. s. d.
5839. State Forests Loan Application ..	0 6
5840. Railway Loan Application ..	1 3
5841. Police Offences (Sports Grounds) ..	0 6
5842. Transfer of Land ..	3 9
5843. Local Government (Amendment) ..	1 9
5844. Land Tax ..	0 6
5845. Water (Connexions to Mains) ..	0 6
5846. Statutes Amendment ..	0 9
5847. Landlord and Tenant ..	1 0
5848. Transport Regulation (Amendment) ..	0 6
5849. Judges Salaries ..	0 6
5850. Public Works Loan Application ..	0 6
5851. Adoption of Children (Amendment) ..	0 6
5852. Hide and Leather Industries (Suspension) ..	0 6
5853. Appropriation of Revenue ..	4 0

W. M. HOUSTON,
Government Printer.

STATE ACTS, 1955.

COPIES of the following Acts of Parliament of Victoria may be obtained at the Government Printing Office, or from any bookseller, at the price set opposite to each:—

No.	Price. s. d.
5854. Consolidated Revenue ..	0 6
5855. Statute Law Revision Committee (Amendment) ..	0 6
5856. Consolidated Revenue ..	0 6
5857. Auditor-General's Salary ..	0 6
5858. Consolidated Revenue ..	0 6
5859. Hide and Leather Industries (Repeal) ..	0 6
5860. Teaching Service (Amendment) ..	0 6
5861. Maintenance (Enforcement of Orders) ..	0 6
5862. Companies (Names) ..	0 6
5863. Legal Profession Practice (Amendment) ..	0 9
5864. Newport "A" Power Station ..	0 6
5865. Adoption of Children ..	0 6
5866. Geelong Waterworks and Sewerage (Amendment) ..	0 6
5867. Parliamentary Elections (State Servants) Amendment ..	0 6
5868. Firearms (Olympic Games) ..	0 6
5869. Justices (Amendment) ..	0 9
5870. Country Fire Authority (Financial) ..	0 6
5871. Supreme Court and County Court (Judges) ..	0 6
5872. Railway Deviations ..	0 9
5873. State Savings Bank (Amendment) ..	0 6
5874. Crown Proceedings ..	0 6
5875. Gas and Fuel Corporation (Financial) ..	0 6
5876. Children's Welfare (Amendment) ..	0 6
5877. Evidence (Amendment) ..	0 9
5878. Land Tax (Exemptions and Rates) ..	0 6
5879. Health (Offensive Trades) ..	0 6
5880. Dietitians Registration (Amendment) ..	0 6
5881. Medical (Pharmacy Board Fees) ..	0 6
5882. Benefit Associations (Amendment) ..	0 6
5883. Surplus Revenue ..	0 6
5884. Landlord and Tenant (Amendment) ..	1 3
5885. Police Offences (Valueless Cheques) ..	0 6
5886. Dairy Produce (Cheese) ..	0 6
5887. Coal Mine Workers Pensions (Amendment) ..	0 6
5888. Parking of Vehicles (Amendment) ..	0 6
5889. Public Service (Amendment) ..	0 6
5890. Police Regulation (Junior Trainees) ..	0 6
5891. Wonthaggi Railway Land ..	0 6
5892. Licensing ..	0 9
5893. Stock Medicines (Amendment) ..	0 6
5894. Marine (Temporary Exemptions) ..	0 6
5895. Administration and Probate (Estates) ..	0 9
5896. Statute Law Revision ..	0 9
5897. Police Regulation (Pensions) ..	0 6
5898. Bailiffs ..	0 6
5899. Housing ..	1 0
5900. Soldier Settlement (Amendment) ..	0 9
5901. Old Colonists' Association ..	0 6
5902. Supreme Court (Officers) ..	0 6
5903. Co-operative Housing Societies (Amendment) ..	0 6
5904. Dog Races ..	0 6
5905. Olympic Games ..	0 6
5906. Water Supply Loan Application ..	1 0
5907. Friendly Societies (Amendment) ..	0 6
5908. Licensing (Amendment) ..	1 0
5909. Revocation and Excision of Crown Reservations ..	1 3
5910. Forests (Amendment) ..	0 6
5911. Superannuation ..	1 3
5912. Fisheries (Proclamation) ..	0 6
5913. Melbourne Market and Park Lands ..	0 6
5914. Limitation of Actions ..	1 9

STATE ACTS, 1955—continued.

No.	Price. s. d.
5915. Motor Car (Amendment) ..	0 9
5916. Milk Board (Amendment) ..	0 6
5917. Crimes (Amendment) ..	0 9
5918. Railways (Amendment) ..	0 9
5919. Labour and Industry (Long Service Leave) ..	0 6
5920. Home Finance ..	0 6
5921. Public Works Loan Application ..	0 6
5922. State Forests Loan Application ..	0 6
5923. Mental Hygiene (Amendment) ..	0 9
5924. Local Government (Amendment) ..	0 9
5925. Mines (Petroleum) ..	1 0
5926. Geelong Market Site ..	0 6
5927. Railway Loan Application ..	1 3
5928. Lang Lang Land ..	0 6
5929. Geelong Harbor Trust (Amendment) ..	0 6
5930. Transport Regulation ..	1 9
5931. Commercial Goods Vehicles ..	1 6
5932. Motor Car (Road Safety) ..	0 6
5933. Public Officers Salaries ..	0 6
5934. Property Law and Transfer of Land ..	0 9
5935. Companies ..	1 6
5936. Crimes (Driving Offences) ..	0 9
5937. Labour and Industry (Shops) ..	0 9
5938. Mines (Uranium and Thorium) ..	0 9
5939. Railways Dismantling ..	0 9
5940. Appropriation of Revenue ..	4 3

W. M. HOUSTON,
Government Printer.

STATE ACTS, 1956.

COPIES of the following Acts of Parliament of Victoria may be obtained at the Government Printing Office, or from any bookseller, at the price set opposite to each:—

No.	Price. s. d.
5941. Limitation of Actions (Extension) ..	0 6
5942. Serviceton Public Hall ..	0 6
5943. Keilor (Unimproved Rating Poll) ..	0 6
5944. Portland Harbor Trust (Land) ..	0 6
5945. Motor Car (Third-Party Insurance) ..	0 6
5946. Local Government (Broadmeadows) ..	0 6
5947. Melbourne Harbor Trust (Amendment) ..	0 6
5948. Returned Servicemen's Badges ..	0 6
5949. Grain Elevators (Financial) ..	0 6
5950. Workers' Compensation (Police) ..	0 6
5951. North Carlton Land ..	0 6
5952. Superannuation (Amendment) ..	0 6
5953. Country Fire Authority (Borrowing) ..	0 6
5954. Operation Gratitude Race Meeting ..	0 6
5955. Rural Finance Corporation (Amendment) ..	0 6
5956. Melbourne College of Divinity (Amendment) ..	0 6
5957. Supreme Court (Wards of Court) ..	0 6
5958. Stamps (Amendment) ..	0 6
5959. Cancer Institute (Loan Moneys) ..	0 6
5960. The Victoria Racing Club ..	0 6
5961. Penal Reform ..	1 9
5962. Police Offences (Control of Raffles) ..	0 6
5963. Process Servers and Inquiry Agents ..	1 3
5964. Consolidated Revenue ..	0 6
5965. Medical (Registration) ..	0 6
5966. Gas and Fuel Corporation (Castlemaine Undertaking) ..	0 9
5967. Home Finance ..	0 9
5968. Police Offences (Amendment) ..	0 6
5969. Judges Salaries and Allowances ..	0 6
5970. Public Officers Salaries and Allowances ..	0 9
5971. Motor Car (Registration Fees) ..	0 6
5972. Melbourne Subways (Borrowing) ..	0 6
5973. Railways (Commissioners) ..	0 6
5974. Game (Destruction) ..	0 6
5975. Boilers Inspection (Amendment) ..	0 6
5976. The Geelong Gas Company's ..	0 6
5977. St. Kilda and Brighton Electric Street Railway (Partial Dismantling) ..	0 9
5978. Country Roads ..	1 0
5979. Health (Narcotics) ..	0 6
5980. Water (Compensation) ..	0 9
5981. Land (Improvement Purchase Lease) ..	0 9
5982. Melbourne and Metropolitan Board of Works ..	1 3
5983. Road Traffic ..	1 0
5984. Housing (Slum Research Officer) ..	0 6
5985. Firearms (Industrial Tools) ..	0 6
5986. Hospitals and Charities (Liability of Patients) ..	0 6
5987. The Constitution Act Amendment (Committee of Public Accounts) ..	0 6
5988. Local Government (Building Regulations) ..	0 9
5989. Estate Agents ..	2 3
5990. Freedom of the City of Melbourne ..	0 6

STATE ACTS, 1956—continued.

No.	Price. s. d.
5991. Subordinate Legislation Committee ..	0 6
5992. Local Authorities Superannuation ..	0 6
5993. West Melbourne Market Land ..	0 6
5994. Consolidated Revenue ..	0 6
5995. Juries ..	1 9
5996. Administration and Probate ..	0 6
5997. Consolidated Revenue ..	0 6
5998. Amendments Incorporation ..	0 6
5999. Labour and Industry (Long Service Leave) ..	0 6
6000. Melbourne Racing Club ..	1 3
6001. State Electricity Commission ..	0 6
6002. Gas and Fuel Corporation (Acquisition) ..	0 6
6003. Land (Unused Roads) ..	0 6
6004. Police Regulation (Retirement) ..	0 6
6005. Labour and Industry (Wages Boards) ..	0 6
6006. The Constitution Act Amendment ..	8 6
6007. Sheep (Foot Rot) ..	0 9
6008. The Ballarat Gas Company's ..	0 6
6009. Veterinary Surgeons (Amendment) ..	0 6
6010. Gas Regulation (Amendment) ..	0 9
6011. Land Tas (Rates) ..	0 6
6012. Registrar-General's Fees ..	1 0
6013. Instruments (Amendment) ..	0 9
6014. Entertainments Tax (Rates) ..	0 6
6015. Soldier Settlement (Amendment) ..	0 6
6016. Electoral ..	1 6
6017. Police Regulation (Reservists) ..	0 9
6018. Police Pensions Fund (Investment) ..	0 6
6019. Revenue Deficit Funding ..	0 6
6020. Portland Harbor Trust (Borrowing Powers) ..	0 6
6021. Stamps (Cheques and Receipts) ..	0 6
6022. Motor Car (Driving Licences) ..	0 6
6023. National Parks ..	1 0
6024. Health ..	7 9
6025. National Art Gallery and Cultural Centre ..	0 9
6026. Youth Organizations Assistance ..	0 6
6027. Appleton Dock Railway Construction ..	0 6
6028. Co-operative Housing Societies (Guarantees and Indemnities) ..	0 6
6029. Education (Kindergarten Teachers) ..	0 6
6030. Teaching Service (Married Women) ..	1 0
6031. Workers Compensation (Supplementary Board) ..	0 6
6032. Hospital Benefits (Amendment) ..	0 6
6033. Railways (Malvern Subways) ..	0 6
6034. Water Supply Loan Application ..	1 3
6035. Nurses ..	1 9
6036. Housing (Land) ..	1 0
6037. Police Offences (Trespass to Farms) ..	0 6
6038. Motor Car (Fees) ..	0 6
6039. Police Offences (Cruelty to Animals) ..	0 6
6040. State Forests Loan Application ..	0 6
6041. Melbourne and Metropolitan Board of Works (Borrowing Powers) ..	0 6
6042. Racing (Finance) ..	0 6
6043. Railway Loan Application ..	1 3
6044. Gas and Fuel Corporation (Frankston and Dandenong Undertakings) ..	1 0
6045. Stamps (Hire-Purchase Agreements) ..	0 6
6046. Forests (Masonite Agreement) ..	1 3
6047. Companies (Unit Trusts) ..	0 9
6048. Local Government (Amendment) ..	0 6
6049. Public Works Loan Application ..	0 9
6050. Marriage (Property) ..	0 9
6051. Parliamentary Contributory Retirement Fund (Amendment) ..	0 6
6052. Housing (Broadmeadows Land) ..	0 6
6053. Children's Court ..	2 0
6054. Housing (Staff) ..	0 6
6055. Appropriation of Revenue ..	4 3
6056. Governor's Salary ..	0 6

W. M. HOUSTON,
Government Printer.

STATE ACTS, 1957.

COPIES of the following Acts of Parliament of Victoria may be obtained at the Government Printing Office, or from any bookseller, at the price set opposite to each:—

No.	Price. s. d.
6057. Trinity College ..	0 6
6058. Vermin and Noxious Weeds (Financial) ..	0 6
6059. Victorian Inland Meat Authority (Financial) ..	0 6
6060. Melbourne and Metropolitan Board of Works (Contributions) ..	0 6
6061. Moorabbin Land ..	0 6
6062. Pounds (Fees) ..	0 6
6063. Dried Fruits (Amendment) ..	0 6
6064. Public Account (Amendment) ..	0 6

STATE ACTS, 1957—continued.

No.	Price. s. d.
6065. Rabbit (Biological Destruction) ..	0 6
6066. Public Works Loan Application ..	0 6
6067. Game (Destruction) ..	0 6
6068. Coal Mine Workers Pensions (Amendment) ..	0 6
6069. Police Offences ..	5 6
6070. Racing ..	3 3
6071. Yinnar Lands ..	0 6
6072. Sandringham to Black Rock Electric Street Railway (Dismantling) ..	0 9
6073. Forests ..	3 0
6074. Wodonga (Unimproved Rating Poll) ..	0 6
6075. Housing (Commonwealth and State Agreement) ..	1 3
6076. Cemeteries (Financial) ..	0 6
6077. Consolidated Revenue ..	0 6
6078. Masseurs (Registration) ..	0 6
6079. Country Roads (Amendment) ..	0 6
6080. Maintenance ..	1 0
6081. Stamps (Hire-Purchase Agreements) Amendment ..	0 6
6082. Justices ..	8 0
6083. Mornington Land ..	0 6
6084. Medical (Registration) ..	0 9
6085. Soil Conservation and Land Utilization (River Flats) ..	0 6
6086. Aborigines ..	0 9
6087. Grain Elevators (Border Railways) ..	0 6
6088. Barley Marketing (Amendment) ..	0 6
6089. Administration and Probate (Amendment) ..	0 6
6090. Housing ..	0 9
6091. Police Regulation (Amendment) ..	0 6
6092. Trotting Races ..	1 0
6093. Weights and Measures (Amendment) ..	0 6
6094. Benefit Associations (Amendment) ..	0 6
6095. Transport (Westernport Bay) ..	0 6
6096. Labour and Industry (Amendment) ..	0 6
6097. Game (Amendment) ..	0 6
6098. Landlord and Tenant (Control) ..	3 3
6099. Consolidated Revenue ..	0 6
6100. Wangaratta (Rating on Unimproved Values) ..	0 6
6101. Railways (Furlough) Amendment ..	0 6
6102. Consolidated Revenue ..	0 6
6103. Crimes ..	9 0
6104. Stamps ..	1 9
6105. Port Melbourne Lagoon Lands ..	0 6
6106. Solicitor-General (Pension) ..	0 6
6107. Justices (Amendment) ..	0 9
6108. Dog ..	0 6
6109. Trustee Companies ..	0 9
6110. Coal Mine Workers Pensions (Amendment) ..	0 6
6111. Audit ..	2 0
6112. Statute Law Revision ..	0 6
6113. Judicial Proceedings (Regulation of Reports) ..	0 6
6114. Melbourne and Metropolitan Board of Works (Extension and Advances) ..	0 6
6115. Firearms (Pistols) ..	0 6
6116. Maintenance (Consolidation) ..	2 9
6117. County Court ..	2 3
6118. Railways (Level Crossings) ..	0 6
6119. Land (Resumption) ..	0 6
6120. Exhibition ..	1 0
6121. Land Tax (Rates) ..	0 6
6122. State Electricity Commission (Land Compensation) ..	0 6
6123. Property Law (Amendment) ..	0 6
6124. Police Offences (Prostitution) ..	0 6
6125. Clean Air ..	0 9
6126. Acts Interpretation (Service by Post) ..	0 6
6127. Geelong Harbor Trust (Amendment) ..	0 9
6128. Local Government ..	0 9
6129. Revenue Deficit Funding ..	0 6
6130. Labour and Industry (Long Service Leave) ..	0 6
6131. Bendigo Land ..	0 6
6132. Geelong Waterworks and Sewerage (Bellarine Officers) ..	0 6
6133. Swan Hill Railway Land ..	0 6
6134. Police Offences (Unlawful Use of Boats) ..	0 6
6135. The Constitution Act Amendment (Special Appropriations) ..	0 6
6136. Labour and Industry (Carriage of Bees) ..	0 6
6137. Vermin and Noxious Weeds ..	0 9
6138. Co-operative Housing Societies ..	2 9
6139. Fruit and Vegetables (Inspection) ..	0 6
6140. Teaching Service (Amendment) ..	0 6
6141. Teaching Service (Amendment) ..	0 6
6142. Dental Hospital (Finance) ..	0 6
6143. Education ..	2 6
6144. Melbourne Cricket Ground (Trustees) ..	0 6
6145. Friendly Societies (Amendment) ..	0 6
6146. Liquefied Petroleum Gas ..	0 6
6147. Water (Amendment) ..	0 9

STATE ACTS, 1957—continued.

No.	Price.
	s. d.
6148. Forests (Mount Buller Lease) ..	0 6
6149. Motor Car (Registration Fees) ..	0 6
6150. Police Offences (Cruelty to Animals) ..	0 6
6151. Local Government (Amendment) ..	1 3
6152. Water Supply Loan Application ..	1 3
6153. State Forests Loan Application ..	0 6
6154. Motor Car (Amendment) ..	0 9
6155. Tourist ..	0 9
6156. King-street Bridge ..	0 9
6157. Estate Agents (Amendment) ..	0 9
6158. Railway Loan Application ..	1 3
6159. Country Fire Authority (Amendment) ..	0 6
6160. Fraser National Park ..	0 6
6161. State Savings Bank (Amendment) ..	0 9
6162. Foot and Mouth Disease Eradication Fund ..	0 9
6163. State Electricity Commission (Borrowing) ..	0 6
6164. Shepparton Lands ..	0 6
6165. Elphinstone Lands Exchange ..	0 6
6166. Crimes (Amendment) ..	1 0
6167. Crimes (Parole Board) ..	0 6
6168. Juries (Amendment) ..	0 6
6169. Public Works Loan Application ..	0 9
6170. Appropriation of Revenue ..	5 0

W. M. HOUSTON,
Government Printer.

STATE ACTS, 1958.

COPIES of the following Acts of Parliament of Victoria may be obtained at the Government Printing Office, or from any bookseller, at the price set opposite to each:—

No.	Price.
	s. d.
6171. Milk Board (Members) ..	0 6
6172. Consolidated Revenue ..	0 6
6173. Footscray (Lawson-street) Land ..	0 6
6174. Railways (Contracts) ..	0 6
6175. Game (Destruction) ..	0 6
6176. Western Metropolitan Market (Amendment) ..	0 6
6177. Local Government (Portland) ..	0 6
6178. Melbourne (Flinders-street) Land ..	0 6
6179. Public Account Advances (Home Builders' Account) ..	0 6
6180. Snowy Mountains Hydro-electric Agreements ..	2 6
6181. Gas and Fuel Corporation (Bendigo Undertaking) ..	1 0
6182. Acts Interpretation ..	0 6
6183. Railways (Employés) ..	0 6
6184. Monash University ..	1 9
6185. University (Council) ..	0 6
6186. Marriage (Amendment) ..	0 6

W. M. HOUSTON,
Government Printer.

THE "VICTORIA GOVERNMENT GAZETTE".

ATTENTION is invited to the following procedure in relation to the publication of official matter in the *Government Gazette*:—

- Matter submitted to the Executive Council.**
Matter submitted to the Executive Council which requires gazettal will normally be published in the issue of the following week.
Where urgent gazettal is required, special arrangements should be made with the *Gazette* Officer.
Publication will be facilitated by the submission of carbon copies for the use of the *Gazette* Officer.
- Other matter.**
 - All other matter duly certified by a responsible officer for publication should be lodged with the *Gazette* Officer not later than half-past Ten a.m. on Tuesday.
 - Lengthy or involved notices should be forwarded several days before publication.
 - Proofs, which will be supplied only when specifically requested, or at the direction of the *Gazette* Officer, should be returned promptly to avoid delay in publication.
 - No additions or amendments to matter for publication will be accepted by telephone.

THE VICTORIA GOVERNMENT GAZETTE is published on WEDNESDAY EVENING in each week, and Notices for insertion will be received by the Government Printer at or before Two p.m. at ordinary rates, and late advertisements between Two p.m. and Five p.m. at double rates on the day preceding the day of publication.

Single copies of the VICTORIA GOVERNMENT GAZETTE are One shilling, posted One shilling and three pence.

No GAZETTES prior to January, 1950, in stock.

***ALL PAYMENTS ARE REQUIRED IN ADVANCE.—Remittances should be made by postal note, money order, or draft in favour of the Government Printer. Advertisements unaccompanied by a remittance sufficient to cover the cost of insertion will be returned unpublished.

SUBSCRIPTIONS.—The subscription, including postage, is £2 15s. per annum, £1 7s. 6d. half-yearly, or 13s. 9d. per quarter, payable in advance.

Subscriptions are required to commence and terminate with a month.

A lesser period than three months cannot be subscribed for.

Subscribers do not receive the Acts of Parliament with the GAZETTE.

ADVERTISEMENTS are charged at the rate of 1s. 6d. per line single column, and 3s. per line double column.

The title (15 Reward, Dissolution of Partnerships, &c.) forms one or more lines as a heading.

On an average, ten words make a line.

Every signature must likewise be counted as a line.

The final words of a paragraph, though only portion of a line, must be counted as one line.

SIGNATURES (in particular) and proper names must be written very plainly in the text; ONE SIDE ONLY of each slip of paper should be WRITTEN UPON.

ALL COMMUNICATIONS should be addressed to "The Government Printer, Melbourne".

ALL DOCUMENTS illegibly written will be returned unpublished, and where brands occur unprovided for by the ordinary letters of the alphabet, a worded explanatory description must be furnished.

CONTENTS

	PAGE
Acts of Parliament on sale at the Government Printing Office ..	1767
Appointments ..	1741
Contracts ..	1737
Country Roads Board ..	1745
Estates of Deceased Persons ..	1732
Government Notices ..	1730
Impoundings ..	1766
Lands ..	1746
Licences to Occupy Unused Roads ..	1732
Licences to Occupy Water Frontages ..	1731
Melbourne and Metropolitan Board of Works—Notices ..	1740
Mining ..	1733, 1766
Ministers of Religion Registered to Celebrate Marriages in Victoria ..	1730
Orders in Council ..	1742
Private Advertisements ..	1756
Proclamations ..	1725
Public Half-Holiday ..	1730
Public Service Notices ..	1751
Resignations ..	1742
Tenders ..	1750
Transport Regulation Board—Public Hearings ..	1734

1

(

1

[1773]



VICTORIA
GOVERNMENT GAZETTE

Published by Authority

[Registered at the General Post Office, Melbourne, for transmission by post as a newspaper.]

No. 59]

WEDNESDAY, JULY 2

[1958

SUPPLEMENTARY REGISTER OF TEACHERS
AND SUPPLEMENTARY REGISTER OF
SCHOOLS FOR THE YEAR ENDED
31ST DECEMBER, 1957.

THE subjoined Supplementary Lists, showing the alterations, additions, revisions, and removals made in the Register of Teachers and in the Register of Schools during the year ended 31st December, 1957, are published in accordance with the provisions of Section 49, of the *Education Act 1957*.

A. H. RAMSAY, President.

W. R. STEVENSON, Registrar.

The Council of Public Education,
Education Office, Melbourne, C.2.
31st January, 1958.



TABLE OF ABBREVIATIONS

A.C.M.M.	Associate, Conservatorium of Music, Melbourne.
A.C.P., Eng.	Associate, College of Preceptors, England.
A.A.I.S.	Associate, Australian Institute of Secretaries.
A.L.C.M.	Associate, London College of Music.
A.M.	Assistant Master.
A. Mus. A.	Associate of the Australian College of Music.
A. Mus. V.C.M.	Associate in Music, Victoria College of Music, London.
A.R.C.M.	Associate, Royal College of Music, London.
A.R.C.S.	Associate, Royal College of Science, London.
A.R.V.I.A.	Associate, Royal Victorian Institute of Architects.
A.S.A., Eng.	Associated Society of Accountants, England.
A.S.M.M.	Associate, School of Mines, Maryborough.
A.T.	Assistant Teacher.
A.T.C.L.	Associate, Trinity College of Music, London.
B.A.	Bachelor of Arts.
B. Ag. Sc.	Bachelor of Agricultural Science.
B.C.E.	Bachelor of Civil Engineering.
B. Com.	Bachelor of Commerce.
B. Econ.	Bachelor of Economics.
B.Ed.	Bachelor of Education.
B.Sc.	Bachelor of Science.
B.T. (Bombay).	Bachelor of Teaching (Bombay).
Bot.	Certificate in Botany, Education Department.
C.A.	Chartered Accountant, Edinburgh.
Camb. (or) Cantab.	Cambridge.
C.B.	Passed the full course of the Order of the Christian Brothers.
Cert.	Certificate of Competency, Education Department.
Cert. Pianiste, T.C.L.	Certificated Pianiste, Trinity College, London.
Cert. Tr. Bd. Edn., London	Certificated Teacher, Board of Education, London.
Cert. Tr. R.A.M., Lon.	Certificated Teacher, Royal Academy of Music, London.
C.T.A.B.	Certificated Teacher, Associated Board of the Royal Academy of Music and the Royal College of Music, London.
Chem.	Certificate in Chemistry, Education Department.
1st. Cl. Cert.	First Class Certificate, Education Department.
2nd. Cl. Cert.	Second Class Certificate, Education Department.
2nd Cl. Cert. pendg. 1st. C. Cert.	Second Class Certificate pending First Class Certificate, Education Department.
1st Cl. 1 Yr. Trg.	First Class, First Year Training, Education Department.
1st Cl. 2 Yr. Trg.	First Class, Second Year Training, Education Department.
2nd Cl. 1 Yr. Trg.	Second Class, First Year Training, Education Department.
2nd Cl. 2 Yr. Trg.	Second Class, Second Year Training, Education Department.
Coll.	College.
Co-Prin.	Co-Principal.
Dip. Assoc. Soc. Sc.	Diploma of Associate in Social Science.
Dip. Com.	Diploma of Commerce.
Dip. Dom. Econ., Ed. Dept.	Diploma of Domestic Economy, Education Department.
Dip. Educon.	Diploma of Education, Melbourne University.
Dip. Hist.	Diploma in History, London.
Dip. Mus.	Diploma in Music, Melbourne University.
Dip. Mus. Assoc.	Diploma of Musical Associate, Melbourne University.
Dip. Nat. Edn. Bd., Ireland	Diploma of the National Education Board, Ireland.
2nd Div. Comp. Ed. Dept.	Second Division of Competency, Education Department.
D.M.A.V.	Diploma, Musical Association of Victoria.
D.M.S.V.	Diploma, Musical Society of Victoria.
2 Cl. D.M.S.V.	Second Class Diploma, Musical Society of Victoria.
Drl.	Qualified to Teach Drill, Education Department.
Drg.	Licence to Teach Drawing, Education Department.
Drg. Lic.	Licence to Teach Drawing, Education Department.
Drg. Cert.	Certificate of Competency in Drawing, Education Department.
Drg. Tr's Prim. Cert.	Drawing Teacher's Primary Certificate, Education Department.
Drg. Tr's Sec. Cert.	Drawing Teacher's Secondary Certificate.
Ed. Dept.	Education Department.
Edin.	Edinburgh.
Exam. Cl. Edn.	Examination of Council of Education.
F.A.I.S.	Fellow of the Australian Institute of Secretaries.
F.C.S.	Fellow of the Chemical Society.
F.F.A.	Fellow of the Faculty of Actuaries, Scotland.
F.G.C.M.	Fellow of the Guild of Church Musicians, England.
F.G.S., London	Fellow of the Geological Society of London.
F.I.C.S.T., Lon.	Fellow of the Institute of Commercial and Specialist Teachers, London.
F.L.S.	Fellow of the Linnean Society.
F.P.S.A.	Fellow of the Incorporated Phonographic Society of Australia.
F.R.C.O.	Fellow of the Royal College of Organists, England.
F.R.M.S.	Fellow of the Royal Microscopical Society.
F.S.C.T.S.	Fellow of the Society of Certificated Teachers of Shorthand.
Gym.	Qualified to Teach Gymnastics, Education Department.
H.M.	Head Master.
Head Mis.	Head Mistress.
H.T.	Head Teacher.
1st Hon. Ed. Dept.	First Class Honours, Education Department.
2nd Hon. Ed. Dept.	Second Class Honours, Education Department.
Inf. Mist.	Infant Mistress.
Insp.	Inspector.
Inter. B.Sc., Lon.	Passed Intermediate Examination, Faculty of Science, London University.
Inter. Cert.	Intermediate Certificate.
1st Cl. I.T.C.	First Class Infant Teacher's Certificate, Education Department.
2nd Cl. I.T.C.	Second Class Infant Teacher's Certificate, Education Department.
Jt. Propr.	Joint Proprietor.
J.P., Melb.	Junior Public Examination, Melbourne University.
J.T.	Junior Teacher.
Jun. Dmr.	Junior Demonstrator.
Jun. Res. M.	Junior Resident Master.
Jun. Univ.	Junior University.

K.T.	Qualified as a Kindergarten Teacher.
L.	Licence to Teach, Education Department.
L. pendg. Cert.	Licence pending Certificate of Competency, Education Department.
L.A.	Licensed Auditor, Victoria.
L.A.B.	Licentiate, Associated Board of the Royal Academy of Music and the Royal College of Music, London.
L.L.A., St. Andrew's	Lady Literate in Arts, St. Andrew's University, Scotland.
LL.B.	Bachelor of Laws.
LL.C.M.	Licentiate, London College of Music.
LL.D.	Doctor of Laws.
LL.M.	Master of Laws.
L. Mus. T.C.L.	Licentiate in Music, Trinity College, London.
L.R.A.M.	Licentiate, Royal Academy of Music, London.
L.S.W.	Licensed Shorthand Writer, Victoria.
L.T.C.L.	Licentiate, Trinity College, London.
L.V.C.M.	Licentiate, Victoria College of Music, London.
Lvg. Cert.	Leaving Certificate.
Lvg. Hons.	Leaving Certificate Honors.
M.A.	Master of Arts.
Math. M.	Mathematical Master.
Matricn.	Matriculation.
M.B.	Bachelor of Medicine.
M.B., B.S.	Bachelor of Medicine, Bachelor of Surgery.
M.C.E.	Master of Civil Engineering.
M.D.	Doctor of Medicine.
Melb.	Melbourne.
M.Inst.E.E.	Member, Institute of Electrical Engineers.
Mis. of M.	Mistress of Method.
M.R.C.O.	Member, Royal College of Organists, England.
Mus.	Licence to Teach Music, Education Department.
Mus. Assoc. Melb.	Musical Associate, Melbourne University.
Mus. Bac.	Bachelor of Music.
Mus. Cert.	Certificate of Competency in Music, Education Department.
Mus. Doc.	Doctor of Music.
O. Carm.	Member of the Carmelite Order.
Oxon.	Oxford.
Ph. C.	Pharmaceutical Chemist of Great Britain.
Ph. D.	Doctor of Philosophy.
Primy.	Primary.
Prin.	Principal.
Propr.	Proprietor.
Pupil T.	Pupil Teacher.
P.S.T.C.	Pitman's Shorthand Teacher's Certificate.
Relvg. T.	Relieving Teacher.
R.T.	Relieving Teacher.
Roy. Univ., Ireland	Royal University, Ireland.
Sci.	Science Certificate, Education Department.
2 Sci. (or) 2 Scs.	2 Science Certificates, Education Department.
S.D.A.	Seventh Day Adventist.
Secdy.	Secondary.
Sen. Com., Melb.	Senior Commercial Examination, Melbourne University.
Sloyd	Sloyd Teacher's Certificate, Education Department.
S.P., Melb.	Senior Public Examination, Melbourne University.
Sen. Res. M.	Senior Resident Master.
S.J.	Member of the Order of the Society of Jesus.
Sng.	Licence to Teach Singing, Education Department.
Sng. Cert.	Certificate of Competency in Singing, Education Department.
Sp. T.C.	Special Teacher's Certificate (Ed. Dept.).
S.S.	State School.
Stu. T.	Student Teacher.
Sub-Primy.	Sub-Primary.
Temp. T.	Temporary Teacher.
Tr.	Teacher.
Tr's. Cert. Bd. Edn., London	Teacher's Certificate, Board of Education, London.
Tr's. Cert. Mus., Melb. Univ.	Teacher's Certificate of Music, University of Melbourne.
Tr's. Cert., Edn. Dept., Punjab, India	Teacher's Certificate, Education Department, Punjab, India.
Tr's. Cert., Scotch Edn. Dept.	Teacher's Certificate, Scotch Education Department.
T.I.T.C.	Trained Infant Teacher's Certificate, Education Department.
T.P.T.C.	Trained Primary Teacher's Certificate, Education Department.
T. Sp. T.C.	Trained Special Teacher's Certificate, Education Department.
T.S.T.C.	Trained Secondary Teacher's Certificate, Education Department.
T.T.C.	Trained Teacher's Certificate, Education Department.
T.T.C. (Com. subjs.)	Trained Teacher's Certificate (Commercial subjects).
T.T. Dipl. Cam.	Trained Teacher's Diploma, Cambridge.
1st Yr. Arts	First Year Arts.
2nd Yr. Arts	Second Year Arts.
IIA Cert.	Teacher's Certificate Class IIA.
IIb Cert.	Teacher's Certificate Class IIb.
IIIA Cert.	Teacher's Certificate Class IIIA.
IIIB Cert.	Teacher's Certificate Class IIIB.
"C" Cert.	Teacher's Certificate Class "C".
"D" Cert.	Teacher's Certificate Class "D".

REGISTER OF TEACHERS.

ADDITIONS AND REVISIONS MADE DURING THE YEAR ENDED 31ST DECEMBER, 1957.

Regis-tered No.	Name.	Address.	Division in which Registered.						Subject, if in Division 2.	(a) Registered by Virtue of Employment before the Passing of the Act.	(b) Evidence Produced to the Council of Fitness to Teach.	Qualifications.		Remarks.
			Sub-Primary.	Primary.	Junior Secondary.	Secondary.	Special Subjects.	E				(c) Literary, Academic, or Other Qualifications.	Date of Registration.	
19619	Adam, Peggy Muriel (Mrs.)	14 Maury-road, Chelsea	A						..	Satisfactory evidence produced	..	4.2.57		
19813	Addicoat, Thomas Gerard Luan (Brother)	St. Kevin's College, Orrong-road, Toorak	B		D				..	B.A. (Tasmania)	..	25.3.57		
19764	Addis, Wendy Anne	M.C.E.G.S., 86 Anderson-street, South Yarra	B				E	Physical Education	..	Diploma of Physical Education	..	25.2.57		
19586	Akaruskule, Thipaya (Sr.)	Sacred Heart College, Ballarat East	B	C					..	"	..	4.2.57		
20180	Alexander, Lorna Mary	28 Rosslyn-street, Hawthorn East	A						..	"	..	25.11.57		
20042	Allen, Maree Genevieve (Sister)	" Stella Maris ", Bay-street, North Geelong	B						..	"	..	30.9.57		
20120	Alsop, Rosemary Anne	6 Laurel Bank-parade, Newtown, Geelong	B						..	"	..	25.11.57		
20100	Amiet, Cecile	Convent of the Sacred Heart, Rose Bay, Sydney, New South Wales	B						..	"	..	28.10.57		
20002	Amours, Beatrice Florence May (Mrs.)	Clyde School, Woodend	B						..	"	..	26.8.57		
19857	Anderson, Dawn Marcia (Mrs.)	18 Nepean Highway, Appendaio	B						..	"	..	29.4.57		
19673	Anderson, Helen Margaret	10 Hansen-street, Kew	B						..	"	..	4.2.57		
19978	Annett, Margaret Una	154 Canterbury-road, South Blackburn	A	B					..	T.P.T.C., 2nd I.T.C.	..	29.7.57		
19684	Arnott, Dorothy Catherine	13 Coster-street, Beaulls	A						..	"	..	4.2.57		
19820	Arthur, Marie Therese (Sister)	45 Riversdale-road, Hawthorn	B						..	"	..	25.2.57		
19814	Aurbach, Tova (Mrs.)	885 Rathdown-street, North Carlton	B						..	"	..	26.8.57		
20003	Baker, Noel Francis (Brother Noel Osmund)	107 Danks-street, Middle Park	B						..	"	..	4.2.57		
19621	Balding, Jean Therese (Sister)	O.L.S.H. Convent, 113 Jasper-road, Bentleigh	B						..	"	..	1.5.16	} Additional registration	
9406	Ball, John Aubrey	M.C.E.G.S., Domain-road, South Yarra	B		D				..	"	..	4.2.57		
20065	Ballantyne, Janet Mary	Terrara-road, Vermont	B				D		..	"	..	28.10.57		
19858	Bamford, Lewis Thomas	Camberwell Grammar School, 55 Mont Albert-road, Canterbury	B		C				..	"	..	29.4.57		
20101	Bannon, Genevieve	Convent of the Sacred Heart, Rose Bay, Sydney, New South Wales	B						..	"	..	28.10.57		

ADDITIONS AND REVISIONS MADE DURING THE YEAR ENDED 31ST DECEMBER, 1957—continued.

Regis-tered No.	Name.	Address.	Division in which Registered.					Subject, if in Division E.	(c) Registered in Victoria before the passing of the Act.	(b) Evidence produced in relation to Fitness to Teach.	Qualifications.		Remarks.
			Sub-Primary	Primary	Junior Secondary	Secondary	Special Subjects				(c) Literary, Academic, or Other Qualifications.	Date of Registration.	
20166	Barbato, Mary ..	26 Well-street, Middle Brighton ..	B	B					Satisfactory evidence produced		25.11.57		
19790	Barrow, Robert ..	209 Beach-road, Montone ..	B	B					"		25.2.57		
19622	Barry, Marjorie Eve (Mrs.) ..	5 Sinclair-avenue, Edithvale ..	B	B					"	T.P.T.C. ..	4.2.57		
19791	Beaumont, Margaret ..	27 Davis-street, Kew ..	B	C					"	B.Sc.; L.T.C.L. ..	25.2.57		
19859	Beckingale, Barry Harold ..	18 Brilliant-street, St. Heliers, Auckland, New Zealand ..	B						"	Society of Jesus ..	29.4.57		
19940	Beer, Peter Joseph (Rev.) ..	Burke Hill, Studley Park-road, Kew ..	B		D				"	M.A. B.A. (Hons.); Dip. Ed. ..	24.6.57		
19979	Beers, Marian Valerie ..	59 Lumesah-road, Caulfield ..	B		D				"	" ..	29.7.57		
19860	Beinerts, Elfrida (Mrs.) ..	139 Glenroy-road, Glenroy ..	B		D				"	" ..	29.4.57		
19686	Beischer, Margaret Helen ..	" Girrahween," Melvor-road, Bendigo ..	A						"	" Specialist in Nursery School and Kindergarten Work" M.A. (Sydney) ..	4.2.57		
19861	Bell, Colin Aubrey ..	225 Walsh-street, South Yarra ..	B		D				"	T.P.T.C. ..	29.4.57		
19815	Besag, Renata Maria ..	26 Morrice-street, North Caulfield ..	A	B					"	" ..	25.3.57	} Additional registration	
20130	Biggs, Pauline Anne ..	126 Shaftsbury-street, Coburg ..	B						"	" ..	25.11.57		
19816	Birch, Betty Dorothy ..	c/o 66 Iffla-street, South Melbourne ..	B				E	Physical Education	"	" ..	25.3.57		
19817	Bishop, Jeannette ..	14 Palmer-avenue, East Brighton ..	A						"	" ..	25.3.57		
19623	Bishop, Marie Juliet (Mrs.) ..	10 Lansdowne-road, East St. Kilda ..	B						"	T.P.T.C. ..	4.2.57		
19782	Blank, Joan Philippa (Mrs.) ..	374 Alma-road, Caulfield ..	B	C					"	B.A. ..	25.2.57		
19862	Blashki, Tadousz ..	31 Jackson-street, St. Kilda ..	B		D				"	Ph.D. (Zurich) ..	29.4.57		
14477	Blenkiron, Harold Clarence ..	14 Laura-street, Moonee Ponds ..	B		D				"	M.A.; LL.M.; B.Ed. ..	23.2.42	} Additional registration	
20066	Bodi, Leslie (Dr.) ..	5 Bluff-street, Hawthorn ..	B		D				"	Ph.D.; Dip.Ed. (Budapest) ..	30.9.57		
19624	Bodley, Malcolm ..	1 Mary-avenue, Highbett ..	B						"	T.P.T.C. ..	4.2.57		
19818	Bohan, Margaret (Mrs.) ..	16 Charles-street, Benalla ..	B						"	1st Cl. Cert. ..	25.3.57		
20067	Bois, Patricia Doris (Mrs.) ..	55 Wandsworth-road, Surrey Hills ..	B						"	" ..	28.10.57		
15407	Bolgor, Martin (Sr.) ..	St. Joseph's Convent, Havelock-road, Upper Hawthorn ..	B					E	"	" ..	25.6.45	} Additional registration	
									"	" ..	25.2.57		

19025	Bolt, Leah (Sister)	O.L.S.H. Convent, 113 Jasper-road, Bentleigh	B																				4.2.57	
19041	Bond, Brenda Kathleen	3 Roger-street, Doncaster East																						24.6.57
19063	Bongers, Joan Alvilda	573 Burke-road, Camberwell																						29.4.57
19819	Bonnici, Helen (Mother Evodia)	3 Wingfield-street, Footscray	B																					25.3.57
20167	Boston, Geraldine Monica	3 Tennyson-street, Brighton Beach	B																					25.11.57
19687	Bott, Janet Tessie	"Olive Dale", Chudleigh, Tasmania	A																					4.2.57
19864	Bourke, Mary Stella (Mrs.)	55 Banyan-street, Warrumbool	B																					29.4.57
19765	Bowen, Dora Noeleen (Mrs.)	566 Inkerman-road, Caulfield	B																					25.2.57
19488	Boyce, Norine June	291 Blackburn-road, Syndal, via Glen Waverley	A																					4.2.57
20068	Brain, Elaine Therese (Mrs.)	12 Wren-street, Norlane	B																					28.10.57
19733	Brazeal, Maureen (Sister M. Brian)	O.L.S.H. Convent, Kensington, N.S.W.	B																					4.2.57
19943	Breen, Florence Marion (Sister Mary Columban)	St. Joseph's Convent, 3 Havelock-road, Hawthorn East	B																					25.2.57
20187	Breen, Crainne Maria	99 Hotham-street, East Melbourne	B																					24.6.57
20004	Brennan, Flora Teresa	Clyde School, Woodend																						25.11.57
19766	Brennan, Leonie Mary	46 Banfield-street, Ararat	B																					26.8.57
20102	Brennan, Mary Gertrude	Convent of the Sacred Heart, Rose Bay, Sydney, N.S.W.	B																					25.2.57
19866	Brewitt, Louise Frances	St. Catherine's School, Heyington-place, Toorak	B																					29.4.57
19626	Broderick, Margaret Elizabeth Monica	227 Bank-street, South Melbourne	A																					4.2.57
19942	Bromhead, Mary Margaret (Sister Margaret Anne)	St. Joseph's Convent, St. Albans	A																					24.6.57
20082	Brown, Kevin McGinnell (Brother Gonzaga Daniel)	De La Salle Training College, Castle Hill, N.S.W.	B																					28.10.57
19767	Brown, Susan Officer	28 Sargood-street, Toorak																						25.2.57
19793	Bundy, Constance Jean	38 Wellington-avenue, Blackburn	B																					25.2.57
19794	Burch, Beverley Muriel	2 Hermitage-road, Newtown, Geelong	B																					25.2.57
19820	Barford, John Thomas (Reverend)	Sacred Heart College, "Monivae", Hamilton																						25.3.57
19627	Burke, Blanche Marie	12 MacFarlan-street, South Yarra	B																					4.2.57
19628	Butler, Kathleen Norah	Star of the Sea, Brickwood-street, Gardenvale	A																					4.2.57
19944	Butler, Merie Ruby	150 Langtree-avenue, Mildura	B																					24.6.57
14384	Butler, William Kevin (Brother)	Christian Brothers' Technical College, South Melbourne	B																					30.6.41
20005	Byres, Violet Eve (Mrs.)	350 Toorak-road, South Yarra	C																					29.4.57
19945	Byrne, Anne Philomena (Sister)	Loreto Abbey, Mary's Mount, Ballarat	B																					26.8.57
																								24.6.57

Additional registration

Additional registration

ADDITIONS AND REVISIONS MADE DURING THE YEAR ENDED 31ST DECEMBER, 1957—continued.

Registered No.	Name.	Address.	Division in which Required.					Subject, if in Division E.	(d) Registered by virtue of the Act before the passing of the Act.	(b) Evidence Produced Satisfactory to the Council of Fitness to Teach.	Qualifications.	Date of Registration.	Remarks.
			Elementary	Primary	Infants-Secondary	Secondary	Special Subjects						
20103	Byrne, Elizabeth ..	Convent of the Sacred Heart, Rose Bay, Sydney, N.S.W.	A								28.10.57		
19909	Byron, Olive Mary Semple	57 Arlic-street, South Yarra									27.5.57		
19768	Cain, Agatha (Mrs.) ..	9 Corner-street, St. Kilda ..	A	B						2nd Cl. Cert.; 2nd I.T.C. ..	25.2.57		
19689	Cairns, Valarie Ada ..	Tweedale-street, Dunolly ..	A							"Specialist in Nursery School and Kindergarten Work" B.A. (Sydney) ..	4.2.57		
19629	Callander, William Frederick	Caulfield Grammar School, Glen Elm-road, East St. Kilda		C							28.10.57		
20083	Callinan, Conrad James (Brother Conrad Alban)	De La Salle Training College, Castle Hill, N.S.W.		B							25.11.57		
20131	Calthorpe, Beth Marie ..	Convent of Mercy, Rosanna		B							29.4.57		
19866	Calwell, Robert Samuel ..	Carey Baptist School, Barker's-road, Kew		B							29.7.57		
19980	Cameron, Francis Ian Robin (Brother)	St. Bernard's C.R.C., Hutcheson-street, Moonee Ponds		B							25.2.57		
19769	Camilleri, Maria Carmela (Mrs.) ..	16 High-street, Kew		B							4.2.57		
19690	Cantrill, Mary Ruth ..	1 Bayview-eressent, Black Rock	A							"Specialist in Nursery School and Kindergarten Work" ..	25.11.57		
20145	Carroll, Marita Anne ..	5 Pride-avenue, North Geelong	A								25.3.57		
19821	Caruana, Perigna (Sister M. Leonide)	3 Wingfield-street, Footscray		B							4.2.57		
19691	Case, Mavis Alice ..	6 Chant-street, Launceston, Tasmania	A							"Specialist in Nursery School and Kindergarten Work" ..	28.10.57		
20084	Cash, Brandon Michael (Brother Leander Dunstan)	De La Salle Training College, Castle Hill, N.S.W.		B							25.11.57		
20146	Cassar, Maria Carmela ..	Convent of Mercy, 52 Brougham-street, North Melbourne	A								26.8.57		
20006	Catto, Maggie Bella Stuart	Alexandra College, Hamilton		B							29.4.57		
19867	Cawood, Marie Germaine (Sister Maria Regina)	Our Lady of the Sacred Heart Convent, Kensington, N.S.W.			D					B.A. (Sydney); Dip.Ed. (Sydney) ..	25.2.57		
19770	Cerneau, Delma Anne ..	168 Burgundy-street, Heidelberg		B							4.2.57		
19734	Chan, Catherine (Sister M. Rosita)	Our Lady of the Sacred Heart Convent, Kensington, N.S.W.		B							25.3.57		
19822	Chappell, Francis Marius (Brother)	Christian Brothers' College, Warrnambool		B						B.A. (Sydney) ..	30.9.57		
20043	Charleson, William Ewen ..	168 Toorak-road, South Yarra		B						T.P.T.C. ..	4.2.57		
19692	Charlesworth, Judith ..	34 Edward-street, Sandringham	A							"Specialist in Nursery School and Kindergarten Work" ..			

19910	Cheeswright, Eileen Estelle (Mrs.)	Post Office, Mount Clear, Ballarat	B	A								T.P.T.C.	27.5.57
19946	Chesney, David Alexander	7 Packer-street, Murrumbidgee	B									B.A.; B.Sc.	24.6.57
20085	Chong, Aloysius Augustine (Brother Nilus Xavier)	De La Salle Training College, Castle Hill, N.S.W.	B									"Specialist in Nursery School and Kindergarten Work"	28.10.57
19693	Clarke, Marion Louise	30 Edinburgh-street, Box Hill	A										4.2.57
19739	Claxton, Vivienne Therese (Sister Mary Angela)	St. James Convent, 163 Bridge-road, Forest Lodge, N.S.W.	A										4.2.57
20007	Cleary, Brian John (Brother Brian Otterman)	Christian Brothers College, St. Joseph's, Warrnambool	B										26.8.57
19879	Clune, Arthur Bernard (Reverend Father)	Sacred Heart College, "Montvæ," Hamilton	B	C	E	Bookkeeping							28.3.55 29.4.57
19823	Coates, Thomas Hampton	Wesley College, Prahran			D							Ph.D. (London); B.Sc. (Melbourne); M.Ed. (Melbourne)	25.3.57
19771	Colbourne, Mary Janet (Sister)	Convent of the Good Samaritan, Port Pirie, S.A.	A										25.2.57
20104	Cole, Judith	Convent of the Sacred Heart, Rose Bay, Sydney, N.S.W.	B										28.10.57
19865	Colliver, Alfred Spencer	54 Connell-street, Hawthorn	B		D							B.A.; Dip. Ed.	29.4.57
19869	Confoy, Margaret Ellen (Mrs.)	33 Heywood-street, Ringwood	B									T.P.T.C.	29.4.57
19749	Connelly, Carmel Rosemary (Sister Carmel Mary)	St. Christopher's Convent, Camberra, A.C.T.	B										4.2.57
19947	Cook, William Delafeld	Wesley College, St. Kilda-road, Prahran				E. Art and Craft							24.6.57
19630	Cooke, Patricia Bernice (Sister Mary of St. Patrice)	Good Shepherd Convent, Abbotsford	B										4.2.57
19824	Corry, Helen Mary	10 Trafalgar-road, Camberwell			D							B.A.; Dip. Ed.	25.3.57
19870	Course, Lawrence John	36 Wandsworth-road, Surrey Hills	B		D							B.A.; T.P.T.C.	29.4.57
20132	Courtney, Margaret Ann	27 Waltham-street, Flemington	B										25.11.57
19825	Cox, James Joseph (Father)	St. Paul's College, "Glen Lilac," Traralgon	B		D								25.3.57
19750	Cox, Mary Anne (Sister M. Ambrose)	"Rosebank Convent," Harris-road, Five Dock, N.S.W.	B										4.2.57
19736	Cradock, Mary (Sister M. Christine)	O.L.S.H. Convent, Kensington, N.S.W.	B										4.2.57
19772	Cranitch, Maria Josefa (Sister)	Convent of the Good Samaritan, Port Pirie, S.A.	B										25.2.57
19948	Crone, Nina Alison	16 Parlington-street, Canterbury	B		D							B.A.; Dip. Ed.	24.6.57
19881	Crouch, Frederick Thomas	13 Frederick-street, West Brunswick	B										29.7.57
20105	Crowe, Margaret Rosemary	Convent of the Sacred Heart, Rose Bay, Sydney, N.S.W.	A										28.10.57
20008	Crowe, Rosemary Patricia (Sister Monica)	Convent F.C.J., "Vauluse," Richmond	B										26.8.57
19470	Crowley, Deirdre Mary (Sister Monica Mary)	St. Bede's Convent, Newtown, N.S.W.	A										4.2.57
20168	Culhane, Mary Therese	66 Grange-road, Glenhuntly	B										25.11.57
19911	Curni, Robert John (Reverend)	Archbishop Mannix Missionary College, Moroney's Hill, Oakleigh			D								27.5.57
19631	Curtis, Elsie May (Mrs.)	27 Nevis-street, Hartwell	A									T.P.T.C.; 2nd I.T.C.	4.2.57

} Additional registration

ADDITIONS AND REVISIONS MADE DURING THE YEAR ENDED 31ST DECEMBER, 1957—continued.

Registered No.	Name.	Address.	Division in which Registered.					Subject, if in Division E.	(d) Registered under Employment before the Passing of the Act.	(b) Evidence Satisfactory to the Council as to Fitness to Teach.	Qualifications.		Remarks.
			Primary	Primary	Intermediate	Secondary	Technical				(c) Literary, Academic, or Other Qualifications.	Date of Registration.	
19795	Daley, Mary Evelyn ..	27 Marine-parade, St. Kilda ..	A	B	C	D	E	..	Satisfactory evidence produced	..	25.2.57	Additional registration	
17747	Dalkleish, Joan Lorraine (Sister Mary Baptist)	Sacred Heart College, Ballarat East ..	A	B	28.7.57	..	
19998	Daly, Kathleen Elizabeth (Sister Gonzaga)	Marist Convent, Sherwood-road, Merrylands, South Australia ..	A	4.2.57	..	
20133	D'Aprano, Fenina Therese ..	22 Halpin-street, West Brunswick	B	29.7.57	..	
19899	D'Arcy, Maureen Columba (Mother Mary of St. Kearnan)	Stella Maris Convent, 11-1 Holland-road, Singapore ..	A	B	25.11.57	..	
19907	Dashner, Malvina Mary (Sister M. Valerian)	Catholic Mission, Nailile, Rewa, Fiji ..	A	29.7.57	..	
20009	Davey, Eunice Orion ..	c/o Mrs. Hayes, 13 Heath-avenue, Oakleigh	B	26.8.57	..	
20169	Davis, Barbara Mary ..	16 Chauvel-street, South Oakleigh	B	25.11.57	..	
19871	Davis, Mary Josephine (Mrs.)	Adventist School, Warburton	B	29.4.57	..	
20044	Day, Bernard Maxwell (Reverend Father)	St. Patrick's, Box 28, Pakenham East	D	30.9.57	..	
19932	de Hagen, Edward Felix ..	"Wadhurst," M.C.E.G.S., St. Kilda-road, Melbourne	B	29.7.57	..	
19632	Delehunt, Brendan John (Brother)	Christian Brothers' College, Queen's-parade, Clifton Hill	B	..	D	B.A. (Q'land.); Associate of Education (Q'land.) "Specialist in Nursery School and Kindergarten Work"	4.2.57	..	
19694	De Latour, Neryl Margaret	21 The Grange, East Malvern ..	A	B.A. ..	4.2.57	..	
19634	Devine, Maurice Leo (Brother)	Christian Brothers' College, 11 West-bury-street, East St. Kilda	B	..	D	4.2.57	..	
19635	Dillon, Kathleen Susanah (Mrs.)	512 Gregory-street, Ballarat North ..	A	B	4.2.57	..	
19751	Dillon, Patricia Eileen (Sister M. Campion)	Convent of the Good Samaritan, Forest Lodge, New South Wales	B	4.2.57	..	
20126	Dixon, Delia Mary ..	23 Regent-street, Burwood	B	25.11.57	..	
19826	Dobruslonsky, Alice (Mrs.)	30 Murray-road, Ormond	B	25.3.57	..	
20045	Dodge, Grace Lydia ..	"Strathcona" Baptist Girls' Grammar School, Scott-street, Canterbury	B	T.P.T.C. ..	30.9.57	..	
19949	Doernau, John Henry (Reverend)	Xavier College, Kew	B	..	D	Society of Jesus ..	24.6.57	..	
19774	Dooley, Richard Dalrymple	139 Ivanhoe-parade, Ivanhoe	B	..	D	B.Sc. ..	25.2.57	..	
19053	Dorian, Isabel Josephine (Mrs.)	67 Station-street, Ascendale	B	C	T.P.T.C. ..	26.9.55	Additional registration	
19786	Doughty, Beryl May ..	123 Leopold-street, South Yarra	B	24.6.57	..	
			..	B	25.2.57	..	

No.	Name	Address	Grade	Class	Level	Registration	Notes	Date
19605	Douglas, Heather Anne	"Tantallon," Stuart Mill, Victoria	A				"Specialist in Nursery School and Kindergarten Work"	4.2.57
20134	Dowling, Marie Therese	447 Dryburgh-street, North Melbourne	B					25.11.57
20046	Downes, Winifred Margaret (Mrs.)	Allen's-road, Hoathmont		D			B.Sc.; T.P.T.C.	30.9.57
20147	Doyle, Eileen Margaret	Convent of Mercy, 90 High-street, Seymour	A					25.11.57
19637	Driscoll, Abel (Brother)	Marist Brothers' College, Bendigo	B	C				26.4.38 25.2.57 4.2.57
19369	Duane, Leo Patrick Francis	Christian Brothers' College, Westbury-street, St. Kilda	B					4.2.57
19762	Do Montfort (Brother)	St. Christopher's Convent, Canberra, A.C.T.	B				B.A. (Sydney); M.A. (London)	29.4.57
19872	Duckworth, Kathleen (Sister Marie Pierre)	Wesley College, St. Kilda-road, Melbourne	B	D				25.11.57
19872	Dudley, Owen	Brigidine Convent, 1292 High-street, Malvern	B					4.2.57
20180	Duffy, Margaret Teresa (Sister M. Conice)	130 Normanby-avenue, Thornbury	A					4.2.57
19637	Duffy, Rita Perpetua	130 Normanby-avenue, Thornbury	B					4.2.57
19638	Dulkard, Catherine Anne (Sister Mary Cletus)	Brigidine Convent, Florence-street, Mentone	B					27.5.57
19912	Durbridge, Catherine Germaine	57 Briggs-street, Caulfield South	B					28.10.57
20087	Ebbs, Dennis Russell (Brother Ewin Denis)	De La Salle Training College, Castle Hill, N.S.W.	B					25.11.57
20112	Ebert, Breezie Bianca	9 James-street, Surrey Hills	B					4.2.57
19636	Edmonds, Beryl May	19 Albert-street, Geelong West	A				"Specialist in Nursery School and Kindergarten Work"	4.2.57
19913	Edwards, Ian Frederick	"Timbertop," Geelong Grammar School, via Mansfield	B	D			B.Sc.; Dip.Ed.	27.5.57
20170	Egan, Kathleen Mary (Sister Mary Louise)	Presentation Novitiate, Nagle-avenue, Elsternwick	B					25.11.57
19873	Elford, Muriel Ruth (Mrs.)	506 Skipton-street, Ballarat	B					29.4.57
20069	Elliot, Kelso Lennox	581 Whitehorse-road, Mitcham		C				28.10.57
10140	Engel, Herbert Alexander	16 Valetta-street, Malvern	B	D				22.2.21 30.9.57 4.2.57
19697	Errey, Dianne Margaret	29 Barkly-street, Camperdown	A				"Specialist in Nursery School and Kindergarten Work"	30.9.57
20047	Evans, Graeme Leslie	79 Clow-street, Dandenong	B				T.P.T.C.	26.8.57
20010	Evans, Herbert Condon	1437 High-street, Glen Iris, S.E.6	B				1st Cl. Cert.	4.2.57
19753	Eveston, Dorothy Barbara (Sister M. Dorothy)	St. Mary's Convent, Wollongong, N.S.W.	B					24.6.57
19950	Fagan, William Gavin (Brother Stanislaus Basil)	St. Bede's College, Beach-road, Mentone	B					26.8.57
20011	Farnilo, Patricia Mary	Stud-road, Wantirna South	B				T.P.T.C.	29.3.49 29.4.57 4.2.57
16501A	Faulkner, Peter James	55 McKillop-street, Geelong	B	C				4.2.57
19741	Ferguson, Daphne May (Sister M. Mechilde)	Good Samaritan Convent, Balgowlah, N.S.W.	A					4.2.57
19698	Field, Felicity Anne	18 Trafalgar-street, Mont Albert	A				"Specialist in Nursery School and Kindergarten Work"	25.2.57
19775	Finnegan, Dorothy Nora (Mrs.)	69 Hopwood-street, Echuca	B				T.P.T.C.	

ADDITIONS AND REVISIONS MADE DURING THE YEAR ENDED 31ST DECEMBER, 1957—continued.

Registered No.	Name.	Address.	Division in which Registered.					Subject, if in Division E.	(c) Registered by Virtue of Employment before the Passing of the Act.	(d) Evidence Satisfactory to the Council of Fitness to Teach.	Qualifications.		Remarks.
			Sub-Primary	Primary	Junior Secondary	Secondary	Special Subjects				(e) Literary, Academic, or Other Qualifications.	Date of Registration.	
20000	Fisher, Kathleen Mary (Sister M. Paulinus)	St. Mary's School, Ridge-street, North Sydney	A	B								29.7.57	
19674	Fitz-Gerald, Carmel Frances	"Mont Geraldine," Kardella		B								4.2.57	
19951	Flooming, Isabelle M. (Mrs.)	2 Wilson-street, Bentleigh		B						B.A.; T.P.T.C.		24.6.57	
20113	Fletcher, Rita (Mrs.)	c/o Woodall-Duckham, 340 Spencer-street, Melbourne		B								25.11.57	
19639	Flint, Brenda Gina (Mrs.)	60 Fitzroy-street, Sale			C							4.2.57	
19640	Flynn, Mabel (Mrs.)	7 Through-road, Burwood	A	B						1st Cl. Cert.; 2nd I.T.C.		4.2.57	
19952	Fogarty, Hugh David (Brother)	St. Patrick's College, Ballarat				D				B.A.		24.6.57	
20012	Foran, Grace Anne	St. Vincent's Hall, 116 Nicholson-street, Fitzroy		B								26.8.57	
19776	Franks, Patricia Mary	c/o 13 Monay-street, Fawkner		B								25.2.57	
20135	Fraser, Margaret Patricia	98 Stanhope-street, West Footscray		B								25.11.57	
19914	Fraser, Nancy Dennis (Mrs.)	9 Hillside-avenue, Bentleigh		B								27.5.57	
19699	Frazer, Valerie Anne	24 Derby-street, Camberwell	A							"Specialist in Nursery School and Kindergarten Work"		4.2.57	
20048	Freeman, Hilda Gracia (Mrs.)	Alexandra College, Hamilton					E	Art				30.9.57	
20114	Fuller, Joyce (Mrs.)	9 Connor-street, East Brighton		B	C					T.P.T.C.		25.11.57	
19700	Fulton, Angela Helen	4 Kenyon-grove, Launceston, Tasmania	A							"Specialist in Nursery School and Kindergarten Work"		4.2.57	
19738	Fyfe, Barbara (Sister M. Benita)	O.L.S.H. Convent, Kensington, N.S.W.		B								4.2.57	
20171	Gabel, Diana Patricia (Sister Mary Irene)	Presentation Novitiate, Nagle-avenue, Elsternwick		B								25.11.57	
20136	Gain, Imelda Clare	Convent of Mercy, 790 Sydney-road, North Coburg		B								25.11.57	
19742	Gall, Margaret Mary (Sister M. Camilla)	Convent of the Good Samaritan, Wollongong, N.S.W.	A									4.2.57	
18582	Garde, Joan Mary Eugeno (Mrs.)	184 East Boundary-road, Bentleigh East		B	D					B.Sc.		30.8.54 26.8.57 29.4.57	Additional registration
19874	Gargya, Aranka Irene (Mrs.)	21 Fletcher-street, Auburn			C							25.3.57	
19827	Garvey, Elizabeth Mary (Mother Mary Emilian)	18 Kaye-street, Charlton		B								25.3.57	
20049	Gaudion, Mary Josephine	13 Deakin-crescent, Dandenong		B								30.9.57	

ADDITIONS AND REVISIONS MADE DURING THE YEAR ENDED 31ST DECEMBER, 1957—continued.

Registered No.	Name.	Address.	Division in which Registered.					Subject, if in Division E.	(c) Registered by Virtue of Employment before the Passing of the Act.	(d) Evidence Produced to the Council of Fitness to Teach.	Qualifications.		Remarks.	
			Sub-Primary.	Primary.	Junior Secondary.	Secondary.	Special Subjects.				(e) Literary, Academic, or Other Qualifications.	Date of Registration.		
							A							B
19798	Head, Janet Alison (Mrs.)	6 Haig-street, Balwyn			C				Satisfactory evidence produced		25.2.57			
19644	Healy, Maureen Elizabeth (Sister M. Borromeo)	Convent of Mercy, Ballarat East		B							4.2.57			
20052	Heesom, Thomas Edmund	163 Clauken-street, North Fitzroy			C						30.9.57			
20014	Heinrich, Noreen Agnes	Vectis South, via Horsham		B							26.8.57			
19831	Hemy, Michael Claude	Essendon Grammar School, Raleigh-street, Essendon		B							25.3.57			
19645	Henshke, Annette Pauline (Sister)	O.L.S.H. Convent, 113 Jasper-road, Bentleigh		B							4.2.57			
19707	Henwood, Ina Valerie	"Tarrington," 621 Edmondson-avenue, Albury, N.S.W.	A						"Specialist in Nursery School and Kindergarten Work"		4.2.57			
19708	Hill, Lorna Doris	197 Foster-street, Dandenong	A								4.2.57			
20179	Hingston, Denise Rosemary	6 Jackson-street, Burnley	A								25.11.57			
19709	Hirst, Helen Dorothy	279 Pakington-street, Newtown, Geelong	A								4.2.57			
18592	Hogan, Ellen (Mother)	Convent of the Sacred Heart, Rose Bay, Sydney, N.S.W.		B		D					30.8.54 25.2.57	Additional registration		
19646	Hogg, Noreen Mary Veronica	c/o Police Station, Roseberry-avenue, Preston	A								4.2.57			
19876	Holmes, Jennifer Joan	37 Berkeley-street, Hawthorn					E	Shorthand			29.4.57			
19654	Horton, Mary Deidre	Hamilton College, Hamilton	A								24.6.57			
19632	Hoate, John Joseph (Father)	St. Paul's College, "Glen Lilac," Traralgon				D					25.3.57			
20128	Houlihan, Kathleen (Sister M. Giuseppe M.S.C.)	Mary's Mount Convent, Wimmallees-road, Balwyn		B							25.11.57			
20137	Houlihan, Nodlene Veronica	63 May-street, West Preston		B							25.11.57			
13851	Howard, Raymond Angelo (Brother)	Christian Brothers' College, Little Myers-street, Geelong		B		D					31.7.39 27.5.57	Additional registration		
20178	Hoy, Marie Eleanor	7 Tennyson-avenue, Caulfield	A								25.11.57			
19799	Hughes, Roma May	38 Gilbarth-street, Highett			C						25.2.57			
19915	Hull, John Martin	111 High-street, Glen Iris				D					27.5.57			
20070	Hunt, Graham Maxwell	7 Dreadnought-street, Sandringham		B							28.10.57			
19916	Hurst, Adrienne Mary	Edith Head Club, 37 Spring-street, Melbourne		B							27.6.57			
20194	Lott, Patricia	40 Mundy-street, Mentone		B							25.11.57			

20015	Imlach, Peter Virgil (Brother)	St. Thomas' Christian Brothers' College, Queen's-parade, Clifton Hill	B												26.8.57
19847	Irwin, Kevin (Brother Gerard)	St. Joseph's College, 99 Barkly-street, North Fitzroy	B												4.2.57
19865	Isard, Mario Claire (Sister Mary Faith)	Our Lady of the Sacred Heart Convent, Elmore	B												24.6.57
20177	Jackman, Marilyn Joan	11 North-road, Brighton	A												25.11.57
20138	Jackson, Margaret Elizabeth	13 Ascot-street, Preston	B												25.11.57
19801	Jacobson, Lynette Christine	13 Wattle-grove, McKinnon	B												25.2.57
19917	James, Albert Victor George	23 Bay View-crescent, Block Rock		D											27.5.57
20016	Jamson, Margaret Eleanor	Clyde School, Woodend		D											26.8.57
20053	Jeffrey, Roma June (Mrs.)	28 Morrice-street, North Caulfield	B												30.9.57
19800	Jeffreys, Joan Dorothy	53 Gurr-street, East Geelong	A												25.2.57
16320	Jenkins, Margaret Mary (Sister Mary Julienne)	"Kilbride," Brigidine Convent, Albert Park	B	D											25.10.48
20192	Jenkins, Mary Elizabeth (Sister M. Fierre)	Brigidine Convent, 1292 High-street, Malvern	B												28.10.57
19886	Jenner, Brian David	3 Forest-street, Ballarat	B												25.11.57
19877	Johnston, Brenda Evelyn (Mrs.)	18 Sylvander-street, North Balwyn		D											29.7.57
19710	Johnson, Elizabeth de Chair	"Bishop's Court," 1416 Stuart-street, Ballarat	A												29.4.57
19802	Johnson, Kaye	32 Webster-street, Ballarat	B												4.2.57
20091	Jolley, John William (Brother Martin Valerian)	De La Salle Training College, Castle Hill, N.S.W.	B												28.10.57
19754	Jones, Marie Therese (Sister Mary Gertrude)	St. Magdalen's Convent, Arncliffe, N.S.W.	B												4.2.57
19833	Jones, Pamela	79 Harcourt-street, Hawthorn							E	Art and Crafts					25.3.57
19834	Jordan, Kathleen Miriam	Methodist Ladies' College Barker's-road, Hawthorn	B												25.3.57
19856	Joscht-Pinter, Cecelia (Mrs.)	26 Lindisfarne-avenue, Croydon		C											24.6.57
20092	Joyce, John Andrew (Brother Bernard Justin)	De La Salle Training College, Castle Hill, N.S.W.	B												28.10.57
19857	Kalmund, Elizabeth Mary (Sister M. Philomena)	Sacred Heart School, Newcastle-street, Newport	A												24.6.57
19868	Kearney, Mary Veronica	Convent of Our Lady of Slon, 1065 Whitehorse-road, Box Hill	B												24.6.57
20186	Kelly, Catherine Anne (Sister M. Cabrini)	Brigidine Convent, Springvale-road, Springvale	B												25.11.57
20176	Kelly, Claire Margaret	78 Field-avenue, Edithvale	A												25.11.57
19918	Kelly, Edith (Mrs.)	73 Clarinda-road, Moonee Ponds	B												27.5.57
19896	Kelly, Rosemary Catherine (Sister M. Basil)	Convent of Mercy, Ballarat East	A												28.3.55
19675	Kelly, Rosemary Patricia	33 Wandsworth-road, Surrey Hills	B												4.2.57
19735	Kennedy, Margaret M. (Sister M. Charal)	O.L.S.H. Convent, Kensington, N.S.W.	B												4.2.57

} Additional registration.

} Additional registration.

ADDITIONS AND REVISIONS MADE DURING THE YEAR ENDED 31ST DECEMBER, 1957—continued.

Registered No.	Name.	Address.	Division in which Registered.					Subject, if in Division E.	(c) Registered by Virtue of Employment before the Passing of the Act.	(b) Evidence Produced to Satisfy the Fitness to Teach.	Qualifications.		Remarks.
			Sub-Primary.	Primary.	Junior Secondary.	Secondary.	Special Subjects.				(e) Literary, Academic, or Other Qualifications.	Date of Registration.	
19648	Kennedy, Patricia Mary ..	Victoria-street, Upper Fernree Gully	A	Satisfactory evidence produced	..	4.2.57		
19838	Kennedy, Stephen Sennan (Brother)	Christian Brothers' College, Park-street, South Melbourne	..	B	C	"	..	28.4.47	} Additional registration	
20054	Kerr, Virginia ..	16 Deakin-street, Malvern	B	"	2nd Cl. Cert.; 2nd I.T.C. ...	4.2.57 30.9.57		
19919	Kershaw, Margaret ..	9 Fairmount-road, East Hawthorn	B	"	..	27.5.57		
19835	Kilmartin, Cynthia Maude (Mrs.)	18 Olive-grove, Parkdale	B	"	T.P.T.C. ...	25.3.57		
19920	Kingston, Diana Veronica (Sister M. Cecily)	St. Joseph's Convent, Alexandra ..	A	"	..	27.5.57		
20172	Kingwell, Mary Anne ..	269 Bluff-road, Sandringham	B	"	..	25.11.57		
19921	Kinston, Miriam (Mrs.) ..	84 Vautier-street, Elwood	D	"	B.A. (Hons.); Dip. Ed. (Hons)	27.5.57		
20115	Kippen, Doris Rose ..	37 Loch-street, St. Kilda	B	"	..	25.11.57		
20071	Kirmse, Carl Edward ..	174 Balaclava-road, Caulfield	B	"	..	28.10.57		
19878	Knowles, Marion Catherine	381 Mont Albert-road, Mont Albert	B	"	..	4.2.57		
19959	Kryhanowski, Vera (Mrs.)	232 Ames-street, North Carlton	B	"	..	24.6.57		
19987	Lancaster, Marjorie Alice (Mrs.)	41 Cobden-street, Kew	A	B	"	T.P.T.C.; T.I.T.C.	29.7.57	} Additional registration	
19009	Lang, Clifton Albert ..	173 Central-road, Nunawading	B	"	..	29.8.55 25.3.57 27.5.57		
19922	Langer, Elizabeth (Mrs.) ..	49 Carlisle-street, St. Kilda	B	"	..	4.2.57		
19744	Lawless, Patricia Coral (Sister Mary Jude)	Convent of the 'Good Samaritan', Despoines-street, Marrickville, N.S.W.	A	"	..	29.7.57		
19988	Laws, Kevin James (Reverend Brother)	St. Patrick's College, Ballarat	B	"	..	25.11.57		
20182	LeClercq, Margaret Winifred (Sister M. Anita)	Brigidine Convent, Florence-street, Mentone ..	A	"	" Specialist in Nursery School and Kindergarten Work "	4.2.57		
19711	Lee, Nancy Lorraine ..	7 Anderson-street, Moorabbin ..	A	"	..	25.11.57		
20116	L'Estrange, John Thomas (Father)	69 Leyster-street, Lismore, N.S.W.	..	B	"	T.P.T.C. ...	4.2.57		
19649	Levy, Hermann Richard ..	310 Glen Eira-road, Elsternwick	B	"	" Specialist in Nursery School and Kindergarten Work "	4.2.57		
19712	Lewis, Gwenda Muriel ..	20 Latrobe-street, Brunswick ..	A	"	..	24.6.57		
19960	Loya, Ludmilla Antonia ..	c/o Mrs. F. H. Hogan, 62 Walpole-street, Kew	..	B	"	..	24.6.57		

No.	Name	Address	Class	Subject	Notes	Expiry
19777	Liddy, Robert Henry (Reverend Father)	St. Patrick's College, East Melbourne	B			25.2.57
19836	Lisle, James	9 Barmato-grove, Armadale	B			25.3.57
20164	Little, Ann Mary	10 Birdwood-avenue, Elwood	A			25.11.57
19961	Little, Josephine Mary Ann (Sister)	Loreto Abbey, Mary's Mount, Ballarat	B			24.6.57
19755	Little, Rita Clare (Sister M. Lambert)	Convent of the Good Samaritan, Newtown, N.S.W.	B			4.2.57
19878	Lloyd, Trevor Gwilym	c/o 444 Whitehorse-road, Mitcham	B			29.4.57
16743	Lock, Peter Bayard	Salesian School, "Rupertwood," Sunbury	B			6.2.50 25.2.57 30.9.57
20055	Lockman, Margaret Beryl	22 Little-street, Daylesford	B			4.2.57
19650	Long, Reginald Colman (Brother)	St. Bernard's Christian Brothers' College, 2 Hutcheson-street, Moonee Ponds	B			24.6.57
19962	Longmore, Dorothy Patricia (Mrs.)	27 Buchanan-avenue, North Balwyn	D			4.2.57
19677	Lopes, Angela Maria	1 Birdwood-street, South Oakleigh	B			27.5.57
19923	Lovick, Shuna Mavis	57 Airlie-street, South Yarra		Physical Education		27.5.57
19924	Lowy, Irene (Mrs.)	Flat 6, 4 Southey-street, Elwood		French-German		29.7.57
19995	McArdle, Norma Theresa (Sister M. Gabriel)	St. Bernard, Pacific Highway, Pymble, N.S.W.	A			28.10.57
20073	McBrien, Neal Nereus (Brother)	Christian Brothers' College, Victoria-parade, East Melbourne	B			4.2.57
19679	McCarthy, Ellen Mary	Convent of Our Lady of Sion, 1065 Whitehorse-road, Box Hill	B			29.4.57
19885	McCarthy, Mary Maureen	S.S. Peter and Paul's Girls' School, Montague-street, South Melbourne	B			25.11.57
20149	McCarthy, Patricia Mary	324 Ferrars-street, South Melbourne	A			25.2.57
19778	Macdonald, Jane Ann (Mrs.)	32 Khartoum-street, West Footscray	B			4.2.57
19680	McDonald, Rae Marie	600A Nepean Highway, Carrum	B			4.2.57
19759	McDonnell, Bernice Marion (Sister Mary Germaine)	St. Christopher's Convent, Canberra, A.C.T.	B			4.2.57
19653	McDonnell, Monica Eileen (Sister Mary Columba)	St. Peter Chanel's Convent, 39 Harrison-street, Deer Park	B			4.2.57
19986	McFerran, Geoffrey John	97 Victoria-street, Williamstown		Music		24.6.57
20107	McGowan, Judith Mary	Convent of the Sacred Heart, Rose Bay, Sydney, N.S.W.	B			28.10.57
20108	McGowan, Mary Therese	Convent of the Sacred Heart, Rose Bay, Sydney, N.S.W.	B			28.10.57
20109	McGrath, Anne Therese	Convent of the Sacred Heart, Rose Bay, Sydney, N.S.W.	B			28.10.57
20189	McGrath, Helen Marie (Sister M. Gerarda)	Brigidine Convent, 1292 High-street, Malvern	B			25.11.57
19745	McGrath, Mary Therese (Sister Mary Helena)	Convent of the Good Samaritan, Canberra, A.C.T.	A			4.2.57
20139	McKelson, Joan Catherine	2 Grandview Grove, Northcote, N16	B			25.11.57

2059-2903/58

Additional registration

ADDITIONS AND REVISIONS MADE DURING THE YEAR ENDED 31ST DECEMBER, 1957—continued.

Registered No.	Name.	Address.	Division in which Registered.					Subject, if in Division E.	Qualifications.				Remarks.	
			Sub-Primary.	Primary.	Junior Secondary.	Secondary.	Special Subjects.		(c) Registered as a Teacher before the passing of the Act.	(d) Evidence Produced to the Council of Fitness to Teach.	(e) Literary, Academic, or Other Qualifications.	Date of Registration.		
							A							B
19840	McKenna, Ross Salesius ..	313 Given-terrace, Paddington, Queensland		B								25.3.57		
19886	MacKenzie, Thomas Gray ..	45 Shannon-avenue, Newtown, Geelong		B						T.P.T.C.		29.4.57		
19887	McKeon, Mary Denyse (Sister)	39 Harrison-street, Deer Park		B								29.4.57		
20183	McKinley, Theresa ..	4 James-street, Ringwood ..		A								25.11.57		
19779	McLean, Norman James ..	185 Were-street, East Brighton		B								25.2.57		
19748	McMahon, Marie Therese (Sister M. Evangelist)	Convent of the Good Samaritan, Port Pirie		A								4.2.57		
19925	MacMillan, Donald Robertson Thomson	Geelong College, Geelong ..				D				B.Com.; Post-Graduate Certificate in Education		27.5.57		
20165	MacPherson, Judith Anne ..	175 North-road, Gardenvale		A						" Specialist in Nursery School and Kindergarten Work "		25.11.57		
19716	McVean, Isabel ..	21 Collingwood-road, Newport		A						" Specialist in Nursery School and Kindergarten Work "		4.2.57		
20093	Macrell, Desmond G. (Brother Bede Angelus)	De La Salle Training College, Castle Hill, N.S.W.		B								28.10.57		
20017	Magarotto, Gianna Maria Clare	Pastorella Sisters, 197 Drummond-street, Carlton		A								26.8.57		
15331	Mahon, Josephine (Sister M. Ursula)	Presentation, Novitiate, Nagle-avenue, Elsternwick		A								26.2.45	} Additional registration	
19756	Mahony, Margaret Mary (Sister)	Convent of the Good Samaritan, Innisfail, Queensland		B								4.2.57		
19837	Mannes, Leo Boniface (Brother)	St. Vincent's College, Melvor-road, Bendigo				D						4.2.57		
19963	Marsh, Patricia ..	291 Mont Albert-road, Surrey Hills		A								25.3.57		
20072	Martin, Anne Edith Ethel (Mrs.)	2 Dudley-parade, Canterbury										24.6.57		
19678	Martin, Elizabeth Mary ..	140 Warrigal-road, Burwood		B				E		Diploma of Domestic Science		28.10.57		
19879	Martin, Edmund Eustace (Brother)	St. Mary's Boys' School, Dandenong-road, East St. Kilda		B								4.2.57		
20188	Martin, Marie Therese ..	1 Mortimore-street, Moorabbin		B								25.11.57		
20117	Marton, Susan (Mrs.) ..	100 Aphrasia-street, Newtown, Geelong				D						25.11.57		
19838	Matthewman, Patricia (Mrs.)	3 Culma-street, Glenhulmy ..										25.3.57		
19780	Mazza, Aimee (Mrs.) ..	65 Arkaringa-crescent, Black Rock		B								25.2.57		
19803	Meredith, Judith Bourchier	14 Normanby-street, East Geelong		A								25.2.57		

19781	Metzger, Karl Hermann	Scotch College, Glenferrie-road, Hawthorn	D										25.2.57
19782	Mezzis, Oskar Georg	c/o Post Office, Orboast	C										25.2.57
20150	Mills, Ellen Alice	Greenhills-road, Greensborough	A										25.11.57
20175	Millsom, Barbara Marian	39 New-street, Brighton Beach	A										25.11.57
19964	Minahan, Maureen Coline (Sister M. Ireneas)	Brigidine Convent, 45 Riversdale-road, Hawthorn	B										24.6.57
20018	Mitchell, Alban (Father)	The Friary, Turner-road, Kedron, Brisbane, Queensland	B										26.8.57
19757	Mitchell, Margaret Jean (Sister Joseph Mary)	St. James' Convent, Forest Lodge, N.S.W.	B										4.2.57
19713	Mitchell, Norelle Anne	34 Scott-street, South Caulfield	A									"Specialist in Nursery School and Kindergarten Work"	4.2.57
19714	Maloney, Mary Carolyn Chadwick	20 Sims-street, Sandringham	A										4.2.57
20140	Montgomerie, Beryl Mary	60 Bent-street, Northcote	B										26.11.57
19880	Moon, Dorothy Constance	The Hermitage Girls' Grammar School, Pakington-road, Geelong	C										29.4.57
19758	Moore, Bernice Constant (Sister M. Bete)	Convent of the Good Samaritan, Canberra, A.C.T.	B										4.2.57
20019	Moore, Brenda MacIntyre (Madame)	Convent of the Sacred Heart, Burke-road, Glen Iris	B								Diploma of Music (Melbourne)		26.8.57
19881	Moreau, May Edith (Mrs.)	5 Francis-street, Draytonville	B										29.4.57
20151	Morrissey, Patricia Margaret	141 Davies-street, East Brunswick	A										25.11.57
19882	Morris, Frances Leo (Brother Marcus)	Marist Brothers' Monastery, 75 Lissongrove, Hawthorn	B										29.4.57
19651	Moylan, Patricia Mary (Sister Mary Leonard)	Convent of Mercy, Ballarat East	B										4.2.57
20152	Moylan, Pauline Margaret	50 Woodland-street, Essendon	A										25.11.57
20110	Muiders, Annys Wilhelmina Helena Maria	Convent of the Sacred Heart, Rose Bay, Sydney, N.S.W.	B										28.10.57
19865	Mullaart, Philomea Agnes	118 Carpenter-street, Brighton	B										24.6.57
20094	Mullaly, Adrian Joseph (Brother Connal Richard)	De La Salle Training College, Castle Hill, N.S.W.	B										28.10.57
19883	Murphet, Gwendolen (Mrs.)	11 Henley-street, North Balwyn	A										29.4.57
20056	Murphy, Thomas Joseph	6 Franklin-avenue, Chelsea	B										30.9.57
19652	Murray, Diane	Huntingtower School, Mt. Waverley	B										4.2.57
19839	Murray, Hugh Edward (Brother)	St. Vincent's College, Melfror-road, Bendigo	D										25.3.57
15600	Murtogh, Theama Mary (Sister M. Thomas)	"Kilmaree", 45 Riversdale-road, Hawthorn	B										24.6.46
19804	Mushin, Aiceerah Leah	3 Aroona-road, Caulfield	C										29.7.57
19884	Myers, Mary Frances (Sister M. Eynard)	Brigidine Convent, 53 Beaconsfield-parade, Albert Park	B										25.2.57
20020	Myles, Elizabeth Mackenzie (Mrs.)	Clyde School, Woodend	D								B.Sc. (St. Andrews)		26.8.57
19841	Neal, John Andrew	341 North-road, South Caulfield	D								B.Sc., Dip. Ed.		25.3.57

} Additional registration

ADDITIONS AND REVISIONS MADE DURING THE YEAR ENDED 31st DECEMBER, 1957—continued.

Regis-tered No.	Name.	Address.	Division in which Registered.					Subject, if in Division E.	(e) Registered by Virtue of Employment Act.	(f) Evidence Produced Satisfactory to the Council of Fitness to Teach.	Qualifications.		Remarks.
			Sub-Primary	Primary	Junior Secondary	Secondary	Special Subjects				(c) Literary, Academic, or Other Qualifications.	Date of Registration.	
19716	Neil, Helen Frances	29 Balwyn-road, Canterbury	A									4.2.57	
20141	Nevett, Catherine Joanne	Rural Delivery, Harston, via Tatura		B								25.11.57	
19783	Newman, Alice Josephine	23 Patricia-street, Oakleigh South		B								25.2.57	
20118	Newman, Dennis Edward	1 Kiara-street, Essendon		B								25.11.57	
18313	Nunn, Margaret Mary (Sister Margaret)	Sacred Heart College, Ballarat East	A						Satisfactory evidence produced			30.11.53	} Additional registration
19737	O'Brien, Bernadette (Sister M. Valerian)	O.L.S.H. Convent, Kensington, N.S.W.		B								4.2.57	
19888	O'Brien, Gerard Majella (Brother)	Christian Brothers' College, Warrnambool		B								29.4.57	
20119	O'Brien, Margaret Joyce	St. Anne's C.E.G.S., Raymond-street, Sale		B								25.11.57	
19651	O'Brien, Mary Josephine (Sister Mary Francis Xavier)	Loreto Convent, Blackburn		B								4.2.57	
20120	O'Brien, Terence James (Brother)	Christian Brothers' College, The Strand, Moonee Ponds		B								25.11.57	
20021	O'Connor, Ann (Mrs.)	211 Adair-street, Ballarat		B								26.8.57	
18507	O'Connor, Mary Teresa (Sister Annunciata)	Convent F.C.J., Vauluse, Richmond		B			D					26.4.54	} Additional registration
20163	O'Donnell, Margaret Mary	2 Grandison-street, Moonee Ponds	A									29.4.57	
20121	O'Dwyer, Carmel Helen (Sister Mary Carmelita)	Convent of Mercy, Camperdown		B								25.11.57	
19784	Oldham, Josephine Gloria (Mrs.)	Flat 2, 38A Williams-road, Windsor					D					25.2.57	
19655	O'Loughlin, Philip Edward	86 Bowen-crescent, North Carlton		B								4.2.57	
19656	O'Neill, Peter Francis (Brother Vincent Cyril)	De La Salle Training College, 61 Stanhope-street, Malvern		B								4.2.57	
19987	Opic, James Francis (Rev. erend)	St. John's Presbytery, Koo-wee-rup					D					24.6.57	
19988	O'Regan, Hannah (Sister M. Philomena)	St. Joseph's Convent, Sunshine										24.6.57	
20022	Ormesher, Patricia Mary Grace (Madam)	Convent of the Sacred Heart, 172 Burke-road, Glen Iris	A									26.8.57	
19657	O'Shaunessy, Catherine Mary	116 Nicholson-street, Fitzroy		B								4.2.57	
20023	O'Shea, Rose Debora	Flat 14, 97 Camberwell-road, Camberwell		B								26.8.57	
19717	Ottrey, Gwyneth Ann	12 Baker-street, St. Kilda	A									4.2.57	"Specialist in Nursery School and Kindergarten Work"

19658	Packer, Janys Mary	54 Bay-street, Brighton	D	B	A	B	4.2.57
20122	Parker, John Neri (Brother)	18 Old Heidelberg-road, Alplington		B			25.11.57
19889	Parman, Georgina Merle	175 Balaclava-road, Caulfield	D				29.4.57
20024	Paton, James Andrew (Brother James Barry)	Christian Brothers, 77 Somerville-road, Yarraville	D	B			26.8.57
19842	Patterson, Valentine Cedric (Reverend)	Sacred Heart College, "Montivae," Hamilton	D	B			25.3.57 29.4.57
20074	Peel, Ellen Patricia (Mrs.)	10 Salisbury-street, Mont Albert		B			28.10.57
19926	Peel, Robert George	Scotch College, Glenferrie-road, Haw- thorn	C				27.5.57
19890	Peeler, Eleanor Joyce	3 Collingwood-street, Sandringham		B			29.4.57
19805	Pell, Elizabeth Louise (Mrs.)	2 Lytton-street, Kew	C				25.2.57
19843	Percy, Thelma May	97 Riversdale-road, Camberwell					25.3.57
19844	Perkins, Ruth (Mrs.)	22 Gray-street, Brighton Beach	D				25.3.57
20025	Perreux, Helen Joan (Mrs.)	Lauriston Girls' School, 20 Hunting- lower-road, Malvern	D	B			26.8.57
20057	Pharo, John Stuart	33 Sargood-street, Hampton		B			30.9.57
19948	Pitt, Alice Jean (Sister M. Damon)	Presentation Convent, Princes Highway, Pakenham East		A B			29.9.47 25.2.57
19718	Pitt, Janice Mary	5 Erica-street, Launceston, Tasmania		A			4.2.57
19785	Pitt, Mary Therese	14 Mile-road, Garfield		B			25.2.57
20154	Pitts, Mary Therese	Twelfth-street, Mildura		A			25.11.57
19659	Pizzey, Dorothy Ruth	6 Rocke-street, Ivanhoe	D				4.2.57
19891	Potter, Denis Thomas	3 Valley View-road, Glen Iris		B			29.4.57
19969	Powell, Mary Wallace (Mrs.)	186 Tramway-parade, Beaumaris		A B			24.6.57
20173	Power, Joan Catherine	40 Goldsmith-street, Elwood		B			25.11.57
19786	Prendergast, James Thomas	34 Cornell-street, Burwood		B			25.2.57
19845	Provan, James Astley	353 Kooyong-road, Elsternwick		B			25.3.57
20026	Pryer, Doris	17 Burton-avenue, Hawthorn		B			26.8.57
19760	Pullen, Cecily Mary (Sister Mary Cecily)	St. Mary's Convent, Wollongong, N.S.W.		B			4.2.57
19970	Purcell, Brian Joseph (Rev- erend)	Burke Hall, Studley Park-road, Kew	D	B			24.6.57
19971	Quinn, Ellen Agnes (Sister M. Norbert)	St. Joseph's Home, Kent-road, Surrey Hills		A			24.6.57
19972	Quinn, Loreto (Sister M. Loreto)	St. Joseph's Convent, Havelock-road, Hawthorn		B			24.6.57
19787	Quinn, Terence John	19 Evans-street, Port Melbourne		B			25.2.57
20001	Rankin, Julie (Sister M. Michael)	Convent of Mercy, Cardinal-street, Mosman, N.S.W.		A B			29.7.57

Additional registration

Additional registration

ADDITIONS AND REVISIONS MADE DURING THE YEAR ENDED 31st DECEMBER, 1957—continued.

Registered No.	Name.	Address.	Division in which Registered.				Subject, if in Division E.	(a) Registered by Virtue of Employment before the Passing of the Act.	(b) Evidence satisfactory to the Council of Fitness to Teach.	Qualifications.		Remarks.
			Primary A	Primary B	Junior Secondary C	Secondary D				(c) Literary, Academic, or Other Qualifications.	Date of Registration.	
19989	Raskall, Joan Sylvia (Mrs.)	Methodist Ladies' College, Barkers-road, Kew				E		Satisfactory evidence produced	Diploma of Physical Education	29.7.57		
20123	Ravenscroft, Edna (Mrs.)	6 Grandview-grove, East Prahran				E		"	"	25.11.57		
19680	Rechter, Bernard	32 Roselyn-crescent, East Bentleigh	B					"	M.Sc.	4.2.57		
19719	Redrobe, Ruth	17 Stirling-street, Kew	A					"	"Specialist in Nursery School and Kindergarten Work"	4.2.57		
19806	Rees, Margaret Ann	Boorcan, Victoria	A					"	"	25.2.57		
18061	Reilly, James Joseph (Brother Dacius)	75 Lisson-grove, Hawthorn	B	C				"	T.P.T.C.	27.4.53	Additional registration	
19973	Reynolds, Louise Margaret	160 Chesterville-road, Highbett			C			"	"	25.3.57		
19761	Reynolds, Maureen Cecilia (Sister M. Vincent de Paul)	St. Benedict's Convent, Queanbeyan, N.S.W.	B					"	"	24.6.57		
19892	Richardson, Margaret	18 Murphy-street, South Yarra	B					"	"	4.2.57		
19720	Rix, Merle Kay	Box 133, Merbein	A					"	"	29.4.57		
19721	Roberts, Eluned Mona	6 Peppin-street, Cumberwell	A					"	"	4.2.57		
20058	Robertson, Evelyn Mabel (Mrs.)	55 North-road, Oakleigh	B					"	"Specialist in Nursery School and Kindergarten Work"	4.2.57		
19722	Robinson, Margaret Barton	138 Thomas-street, East Brighton	A					"	"Specialist in Nursery School and Kindergarten Work"	4.2.57		
19893	Roberts, Marjorie Elaine	Lauriston Girls' School, 20 Huntingtower-road, Malvern			D			"	"	30.9.57		
19807	Roffey, Jennifer Anne Corben	4 Fairfield-avenue, Cumberwell	B					"	"	4.2.57		
20027	Rogers, Mercy Estrella	Morongo Presbyterian Girls' College, Geelong	B					"	"	25.2.57		
19927	Rosman, Rosemary Helen	10 Moralla-road, Malvern	A					"	"	29.8.57		
20028	Rowe, Evelyn Lilian (Mrs.)	23 Grandison-street, Moonee Ponds	B					"	"	27.5.57		
20075	Rammery, Alan David	De La Salle College, Stanhope-street, Malvern	B					"	"	26.8.57		
20029	Ryan, Godwin (Brother)	Assumption College, Kilmore	B					"	T.P.T.C.	28.10.57		
20030	Ryan, Helen Mary (Sister Mary Simon)	Dominican Convent, 289 Riversdale-road, East Cumberwell	B					"	"	26.8.57		
19773	Ryan, Mary Thecla (Sister)	Convent of the Good Samaritan, Port Pirie, S.A.	B					"	"	25.2.57		
20031	Ryan, Mary Veronica (Sister M. Yvonne)	Our Lady of the Sacred Heart Convent, Jasper-road, Bentleigh	B					"	"	26.8.57		

ADDITIONS AND REVISIONS MADE DURING THE YEAR ENDED 31ST DECEMBER, 1957—continued.

Regis-tered No.	Name.	Address.	Division in which Registered.					Subject, if in Division E.	(d) Registered by Virtue of Provisions of the Act.	(e) Evidence Produced Satisfactory to the Council of Fitness to Teach.	Qualifications.		Remarks.
			Primary	Primary	Junior Secondary	Secondary	Special Subjects				(c) Literary, Academic, or Other Qualifications.	Date of Registration.	
19896	Smith, Anthony Julian ..	42 Washington-street, Toorak ..	A	B	C	D	E	B.A. (Oxon); Dip. Ed. (Melb.) ..	29.4.57		
19850	Smith, Honors Frances Edith ..	St. Mary's College, Bendigo	B	25.3.57		
19682	Smith, Maris Therese ..	37 Clota-avenue, Box Hill	B	4.2.57		
20002	Smith, Mary Majella ..	2 Ross-street, Bentleigh	B	30.9.57		
20184	Smith, Shirley Anne ..	Cnr. Cranbourne and Boundary-roads, Langwarrin	B	25.11.57		
19897	Smyth, Mary Beatrice (Sister M. Gabriel)	Mary's Mount, Wimmulcoo-road, Balwyn	B	B.A. ..	29.4.57		
20034	Splatt, Joan Marjorie (Mrs.)	8 Hayball-court, Brighton	B	26.8.57		
19991	Stafford, Arthur Edward ..	Trinity Grammar School, Charles-street, Kew	C	A.C.P. (England) ..	29.7.57		
19723	Stagg, Marion Jean ..	44 King-street, Muffra ..	A	"Specialist in Nursery School and Kindergarten Work" ..	4.2.57		
19663	Stammers, Sheila Annie (Mrs.)	67 Monash-avenue, Balwyn ..	A	4.2.57		
20096	Stanfield, Robert Brian (Brother Bruno Canisius)	De La Salle Training College, Castle Hill, N.S.W.	B	28.10.57		
20167	Stanton, Margaret Mary ..	201 Moreland-road, Coburg ..	A	25.11.57		
20078	Stashevski, Berta (Mrs.) ..	9 Thrower-street, Reservoir	B	28.10.57		
19898	Stein, Margaret Mary (Mrs.)	30 Kooyong Koot-road, Hawthorn	B	T.P.T.C. ..	29.4.57		
20158	Stevens, Carmel Frances ..	46 Park-road, Middle Park ..	A	25.11.57		
19664	Stevenson, Jack Macleod ..	44 Range-street, Camberwell	D	B.A.; Dip. Ed.; T.P.T.C. ..	4.2.57		
16977	Stewart, Kevin Kieran (Brother)	Christian Brothers' College, Warrnambool	B	C	25.9.50	} Additional registration	
19930	Stewart, Sarah Jane (Sister Mary)	St. Peter Chanel School, Harrison-street, Deer Park	B	B.Sc. ..	24.6.57		
19992	Stone, Derek ..	Geelong Church of England Grammar School, Corio	B	..	D	B.Com.; Dip. Ed. ..	27.5.57		
19788	Stowe, Arthur Kenelm ..	Essendon Grammar School, Kulligh-street, Essendon	B	B.A. (N.Z.) ..	29.7.57		
20079	Stroeka, Nicolaas Jozef Gerardus	278 Cotham-road, Kew	B	T.P.T.C. ..	25.2.57		
19810	Stump, Judith Elizabeth ..	4 Sevenoaks-street, Balwyn ..	A	28.10.57		
19931	Suhr, Frances Anne (Sister Mary Bede)	28 Sandham-street, Elsternwick	B	25.2.57		
20159	Sullivan, Frances Beinda ..	58 Gilmour-street, Yarrawonga ..	A	27.5.57		
			A	25.11.57		

19932	Sullivan, Josephine Alice (Sister)	Convent of the Sacred Heart, Rose Bay, Sydney, N.S.W.	B						B.A. (Queensland); Certificate in E.D. (Queensland)	27.5.57
19935	Sullivan, Monica Mary	17 Bowen-street, Oakleigh	A							4.2.57
19956	Sutton, Alan Jeffrey	7 Hillside-avenue, Bentleigh	B							4.2.57
20193	Sykes, Barbara Frances (Sister M. Patrick)	Brigidine Convent, Beaconsfield-parade, Albert Park	B							25.11.57
20181	Tangey, Doreen Margaret (Sister M. Lovola)	Brigidine Convent, 1292 High-street, Malvern	A							25.11.57
19933	Tanner, Mary Helen	1 Florence-avenue, Kew	B							27.5.57
19899	Turnant, Edward Thomas (Brother)	St. Augustine's Orphanage, Highton, Geelong	B							29.4.57
19789	Tate, Lenore Margaret	M.C.E.G.S., 86 Anderson-street, South Yarra	B							25.2.57
19975	Tatton, Kay Nancy (Mrs.)	16 Prospect-grove, Black Rock	B						T.P.T.C.	24.6.57
20097	Taylor, James Michael (Brother Everard Aloysius)	De La Salle Training College, Castle Hill, N.S.W.	B							28.10.57
19747	Taylor, Joan Elizabeth (Sister Mary Placida)	Convent of the Good Samaritan, Harbour-street, Wollongong, N.S.W.	A							4.2.57
20143	Taylor, Margaret Rose	Convent of Mercy, Mount-street, Burnie, Tasmania	B							25.11.57
14908	Tomby, Eileen Mary (Sister Mary Eynard)	Presentation Convent, Star of the Sea, Gardenvale	B	D						24.6.30
19900	Thirkell, Joan Margaret (Mrs.)	O'Leary-street, Wangaratta	B						T.P.T.C.	25.2.57 29.4.57
19901	Thomas, Geoffrey Homan	23 Florizel-street, Burwood	B	D					B.A.	29.4.57
19667	Thomas, Harold George	9 Hillside-parade, Strathmore	B		E	Accountancy; Bookkeeping				4.2.57
19902	Thomas, Wesley Phillips	Essendon Grammar School, Raleigh-street, Essendon	B	D					B.Sc.; Dip. Ed.; T.P.T.C.	29.4.57
19976	Thompson, Garth Michael (Reverend)	Xavier College, Kew	B	D					Society of Jesus	24.6.57
19851	Thompson, Patricia Mary Grace (Sister M. Nicholas)	Sienna Dominican Convent, 289 Riverside-road, East Camberwell	B	D						25.3.57
20033	Thorpe, Patrick James (Brother)	De La Salle Training College, Castle Hill, N.S.W.	B							26.8.57
20036	Tippetts, John Joseph	St. Augustine's Orphanage, Highton, Geelong	B							26.8.57
19934	Tipping, Elsa Yvonne (Mrs.)	Chr. Murray-road and Edon-street, Croydon	B						T.P.T.C.	27.5.57
12908	Tobin, Aubrey (Brother)	Marist Brothers' High School, Kogarah, N.S.W.	B	D						30.4.35 4.2.57 26.8.57
20037	Tobin, Bernard Noel Norbert (Brother)	Christian Brothers' Residence, St. Ambrose's, 86 Bowen-crescent, North Carlton	B							
20160	Tobin, Madelon Marie	11 Leven-street, Essendon	A							25.11.57
20038	Tolson, Pollie (Mrs.)	22 Elm-street, Bayswater	B	D					B.A. (Hons.); Dip. Ed. (Birmingham)	26.8.57
18314	Torney, Noreen June (Sister M. Stephen)	Sacred Heart College, Ballarat East	A	B						30.11.53 4.2.57
19903	Towl, Margaret Graham	4 Epping-street, East Malvern	B	D					B.A.; Dip. Ed.	29.4.57
19724	Townsend, Beverley Joy	P.O. Box 214, Burnie, Tasmania	A						"Specialist in Nursery School and Kindergarten Work"	4.2.57

ADDITIONS AND REVISIONS MADE DURING THE YEAR ENDED 31ST DECEMBER, 1957—continued.

Registered No.	Name	Address	Division in which Registered.				Subject, if in Division B.	(c) Registered by Virtue of Employment before the Passing of the Act.	(b) Evidence Produced to the Council of Fitness to Teach.	Qualifications.		Remarks.
			Sub-Primary	Primary	Junior Secondary	Secondary				Special	(c) Literary, Academic, or Other Qualifications.	
19977	Toyne, Maureen Bernadine	30 Fifth-street, Parkdale	A	B							24.6.57	
20063	Treen, Jack Vincent	Pakenham-road, Cembrook		B				Satisfactory evidence produced			30.9.57	
19668	Trende, Edna Kathleen (Mrs.)	High School, Foster			D			"	B.Sc. (Manchester; Dip. Ed. (Melbourne))		4.2.57	
19689	Trounman, Muriel Eileen (Mrs.)	303 South-road, East Brighton		B				"	"		4.2.57	
19748	Trower, Ursula Joan (Sister Mary Adrian)	Convent of the Good Samaritan, White-crescent, Seacombe Gardens, S.A.	A					"	"		4.2.57	
20161	Tunn, Margaret Anne	"Auchan Brae," Tullamarine	A					"	"		26.11.57	
19904	Tunnecliffe, Mary	St. Joseph's School, Bay-street, Port Melbourne		B				"	"		29.4.57	
19935	Underwood, Mary Luke (Sister)	Brigidine Convent, Wangaratta		B				"	"		27.5.57	
20098	Underwood, Vincent William (Brother Geoffrey)	De La Salle Training College, Caastle Hill, N.S.W.		B				"	"		28.10.57	
19933	Vella, Mary Carmen	6 Ashmore-street, Brunswick		B				"	"		4.2.57	
19852	Vernon, Diana Rosemary	203 Wendouree-parade, Ballarat			C			"	"		25.3.57	
19905	Viney, David William	167 Victoria-street, West Brunswick		B				"	"		29.4.57	
19853	Volard, Samuel Vernon	Geelong College, Tulbot-street, Geelong		B				"	"		25.3.57	
19725	Walker, Anne Shirley	355 Station-street, Box Hill South	A					"	"	" Specialist in Nursery School and Kindergarten Work "	4.2.57	
19936	Wallace, Hilma May	c/o Signs Publishing Company, Warburton		B				"	"		27.5.57	
19854	Walsh, Denise (Sister M. John Berchmans)	Convent of Mercy, Ballarat East		B				"	"		25.3.57	
19906	Walsh, Margaret Mary (Sister Mary Athanasius)	Star of the Sea, Presentation Convent, Brickwood-street, Gardenvale		B		E	Accountancy Bookkeeping Shorthand	"	"		29.4.57	Additional registrations
20039	Wanless, Shirley Ann	Methodist Ladies' College, Barker's-road, Kew		B				"	"		27.5.57	
19937	Ward, Arthur Graham	Wesley College, St. Kilda-road, Prahran			D			"	M.A. (N.Z.); B.A. (N.Z.)		27.5.57	
19726	Warren, Marjorie Joyce	49 Banool-road, Balwyn	A					"	" Specialist in Nursery School and Kindergarten Work "		4.2.57	
20124	Wasniak, Edmund	2 Wanda-road, Caulfield				E	Physical Education Mathematics	"	Diploma of Physical Education (Warsaw)		25.11.57	
19990	Wasniak, Maria Catherine (Mrs.)	2 Wanda-road, Caulfield				E	Mathematics	"	Master of Science (Poland)		27.2.56	Additional registration
20162	Waters, Wendy Patricia	140 Pearson-street, West Brunswick	A					"	"		30.9.57	
											25.11.57	

REGISTER OF SCHOOLS.
SCHOOLS REGISTERED DURING THE YEAR ENDED 31ST DECEMBER, 1957.

Registered Number.	Name of Person.	Proprietor or Head Teacher.	Address of Proprietor or Head Teacher.	Name of School (if any).	Address of Schoolhouse in which School is Held.	Classification.	Number of Registered Teachers.					Date of Registration.	Remarks.
							Sub-Primary.	Primary.	Infant.	Secondary.	Special Subjects.		
1562	Best, Charles Thomas (Brother)	H.T.	974 Canterbury-road, Box Hill	St. Leo's Christian Brothers' College	974 Canterbury-road, Box Hill	Primary	..	2	25.2.57	New School
1563	O'Doherty, Patrick Joseph (Reverend)	Proprietor	St. Mary's Presbytery, 123 St. Leonard's-road, Ascot Vale	St. Margaret's	Esplanade, Maribyrnong	Primary	..	1	25.2.57	New School
1564	Ruth, Francis P. (Reverend Father)	Proprietor	48 Monash-road, Newborough	Immaculate Heart of Mary	48 Monash-road, Newborough	Primary	..	2	25.2.57	New School
1565	Ryan, Leo William (Father)	Proprietor	349 Springvale-road, Glen Waverley	"Holy Family"	250 Stevenson's-road, Mt. Waverley	Primary	..	2	25.2.57	New School
1566	Gilman, Henry Norman (Reverend Father)	Proprietor	St. Gerard's Presbytery, Gladstone-road, North Dandenong	St. Gerard's	Gladstone-road, North Dandenong	Primary	..	3	25.3.57	New School
1567	Redden, Martin Philip (Brother Phacidus)	H.T.	Clifton-grove, Preston	Marist Brothers', Preston	Clifton-grove, Preston	Primary	..	7	25.3.57	New School
1568	Pier, Margaret (Sister Margaret Mary)	H.T.	Archer-street, South Shepparton	St. Mel's	Archer-street, Shepparton	Primary	..	2	25.3.57	New School
1569	Kelly, John Anthony (Reverend Father)	Proprietor	31 Erasmus-street, Surrey Hills	Our Lady of Perpetual Succour	31 Erasmus-street, Surrey Hills	Primary	..	2	29.4.57	New School
1570	Shehill, R.	Proprietor	15 Fletcher-street, Moorabbin	St. Catherine's	Cur. Fletcher and Bomm-streets, Moorabbin	Primary	..	4	29.4.57	New School
1571	Theophane, M. (Sister)	H.T.	76 Warrigal-road, Oakleigh	Sacred Heart Girls' College	Cur. Kangaroo and Warrigal-roads, Oakleigh	Secondary	..	4	..	3	..	29.4.57	New School
1572	Dewar, Julia (Sister Marie Ambrosine de Sion)	H.T.	1065 Whitehorse-road, Box Hill	St. Clare's	Killara-street, Box Hill North	Sub-Primary; Primary	1	2	24.6.57 30.3.57	New School and additional Registration
1573	Daly, Daniel	Proprietor	Presbytery, 53 Holyrood-street, Hampton	Immaculate Heart of Mary	Cur. Bluff and Raynes Park roads, Hampton	Primary	..	2	30.9.57	New School
1574	Crowle, E. S., (Reverend Brother)	H.T.	Brearley-parade, Pascoe Vale South	St. Joseph's Preparatory	Brearley-parade, Pascoe Vale South	Primary	..	5	28.10.57	New School
1575	Cuffey, William John (Reverend)	Proprietor	15 Rowell-street, Morwell East	St. Vincent de Paul	Rowell-street, Morwell East	Primary	..	4	25.11.57	New School

SCHOOLS REMOVED FROM THE REGISTER AND OTHER ALTERATIONS MADE DURING THE YEAR ENDED 31st DECEMBER, 1957.

Registered Number.	Name of Person.	Proprietor or Head Teacher.	Address of Proprietor or Head Teacher.	Name of School (if any).	Address of Schoolhouse in which School was or is held.	Classification.	Remarks.
57	Birrell, David Watson	H.T.	"Clonmore," Elsternwick	"Highton"	Glenhuntly-road, Elsternwick	Sub-Primary; Primary	Closed
523	Richardson, Beatrice	H.T.	Church of England Grammar School, Ararat	Church of England Grammar School	Ararat	Sub-Primary; Primary	Closed
1204	Muirden, William	Proprietor	6 Redan-street, East St. Kilda	Hassett's Business College	Chapel-street, Prahran	Secondary	Closed
1320	Theisz, May (Mrs.)	Proprietor	1 Trumper-street, Camberwell	"Ashlyne"	Chr. Lincoln and Elizabeth-streets, Glen Iris	Primary	Closed
1485	Fedrigotti, Bartholomew M. (Reverend)	H.T.	Moreney's Hill, Oakleigh	Archbishop Mannix Missionary College	Moreney's Hill, Oakleigh	Primary; Secondary	Additional registration
1540	Rossiter, Nicholas S. (Holy Reverend) C.M., D.D.	Proprietor	The Vincentian Fathers, St. Joseph's, Stanhope-street, Melbourne	St. Vincent's College	Melvor-road, Bendigo	Junior Secondary	Additional registration
1559	Ross, Mabel Florence (Mrs.)	H.T.	18 Selborne-road, Toorak	Selborne House	18 Selborne-road, Toorak	Primary; Sub-Primary	Additional registration
1491	Anderson, Hannah B. (Miss)	Proprietor	348 Montague-street, Albert Park	Trinity Girls' Grammar School	2 Orviesto-street, Merlynston	Primary	Change of address
23	Christian Brothers	Proprietors	Mt. Sion, Petersham, Sydney	St. Joseph's Christian Brothers'	Park-street, South Melbourne	Junior Secondary	Secondary registration cancelled
236	Edgeworth, Mary Magdalen (Sister)	Proprietor	St. Joseph's, Wattle-parade, Mildura	St. Joseph's College	Wattle-parade, Mildura	Secondary	Change of name and address
1342	Hughes, Adrian E. (Reverend)	Proprietor	St. Mary's Presbytery, Ringwood	Our Lady's School	Ringwood	Primary	Change of name
1343	Ashe, T. (Reverend)	Proprietor	The Presbytery, Diamond Creek	St. Francis Xavier's	Mayona-road, Montmorency	Primary	Change of address

