



VICTORIA GOVERNMENT GAZETTE

Published by Authority

[Registered at the General Post Office, Melbourne, for transmission by post as a newspaper.]

No. 112]

WEDNESDAY, DECEMBER 20

[1961

CRIMES (BREATH TEST EVIDENCE) ACT 1961
(No. 6806).

DATE OF COMING INTO OPERATION.

PROCLAMATION

By His Excellency the Governor of the State of Victoria and its Dependencies in the Commonwealth of Australia, &c., &c., &c.

WHEREAS by an Act of the Parliament of the State of Victoria passed in the tenth year of the reign of Her Majesty Queen Elizabeth II, intituled the *Crimes (Breath Test Evidence) Act 1961* (No. 6806) it is amongst other things enacted that the said Act shall come into operation on a day to be fixed by Proclamation of the Governor in Council published in the *Government Gazette*:

Now therefore I, the Governor of the State of Victoria, acting by and with the advice of the Executive Council thereof, do by this my Proclamation fix Wednesday, the twentieth day of December, One thousand nine hundred and sixty-one, as the day upon which the *Crimes (Breath Test Evidence) Act 1961* (No. 6806) shall come into operation.

Given under my Hand and the Seal of the State of Victoria aforesaid, at Melbourne, this nineteenth day of December, in the year of our Lord One thousand nine hundred and sixty-one, and in the tenth year of the reign of Her Majesty Queen Elizabeth II.

(L.S.) DALLAS BROOKS.

By His Excellency's Command,
A. G. RYLAH,
Attorney-General.

GOD SAVE THE QUEEN!

Vegetation and Vine Diseases Act 1958 (No. 6407).

**REVOKING PROCLAMATIONS DECLARING
PROCLAIMED AREAS.**

PROCLAMATION

By His Excellency the Governor of the State of Victoria and its Dependencies in the Commonwealth of Australia, &c., &c., &c.

WHEREAS by the *Vegetation and Vine Diseases Act 1958* (No. 6407) it is amongst other things enacted that any Proclamation made under section 25 of the said Act

may be revoked by a subsequent Proclamation: Now, therefore, I, the Governor of the State of Victoria, in the Commonwealth of Australia, by and with the advice of the Executive Council of the said State, do by this my Proclamation hereby revoke the Proclamation made on 23rd day of May, 1961, relating to the City of Mildura.

Given under my Hand and the Seal of the State of Victoria aforesaid at Melbourne, this nineteenth day of December, in the year of our Lord One thousand nine hundred and sixty-one, and in the tenth year of the reign of Her Majesty Queen Elizabeth II.

(L.S.) DALLAS BROOKS.

By His Excellency's Command,
G. L. CHANDLER,
Minister of Agriculture.

GOD SAVE THE QUEEN!

ENTERTAINMENTS TAX (AMENDMENT) ACT 1961.

DATE OF COMING INTO OPERATION.

PROCLAMATION

By His Excellency the Governor of the State of Victoria and its Dependencies in the Commonwealth of Australia, &c., &c., &c.

WHEREAS by an Act of Parliament of the State of Victoria passed in the tenth year of the reign of Her present Majesty Queen Elizabeth II, intituled the *Entertainments Tax (Amendment) Act 1961*, it is amongst other things enacted that the said Act shall come into operation on a day to be fixed by Proclamation of the Governor in Council published in the *Government Gazette*: Now therefore I, the Governor of the State of Victoria, acting by and with the advice of the Executive Council thereof, do by this my Proclamation fix Monday, the first day of January, One thousand nine hundred and sixty-two, as the day upon which the said Act shall come into operation.

Given under my Hand and the Seal of the State of Victoria aforesaid, at Melbourne, this nineteenth day of December, in the year of our Lord One thousand nine hundred and sixty-one, and in the tenth year of the reign of Her Majesty Queen Elizabeth II.

(L.S.) DALLAS BROOKS.

By His Excellency's Command,
HENRY E. BOLTE,
Treasurer.

GOD SAVE THE QUEEN!

RACING (OFF-COURSE DOUBLES TOTALIZATORS)
ACT 1961.

DATE OF COMING INTO OPERATION.

PROCLAMATION

By His Excellency the Governor of the State of Victoria and its Dependencies in the Commonwealth of Australia, &c., &c., &c.

WHEREAS by an Act of Parliament of the State of Victoria passed in the tenth year of the reign of Her Majesty Queen Elizabeth II., intitled the *Racing (Off-course Doubles Totalizators) Act 1961* (No. 6836), it is amongst other things enacted that the several provisions of the said Act shall come into operation on a day or the respective days to be fixed by Proclamation or successive Proclamations of the Governor in Council published in the *Government Gazette*:

Now therefore I, the Governor of the State of Victoria, in the Commonwealth of Australia, by and with the advice of the Executive Council of the said State, do by this my Proclamation fix—

- (a) Wednesday, the twentieth day of December, 1961, as the day on which sections four and ten; and
(b) Tuesday, the twenty-sixth day of December, 1961, as the day on which section five—

of the *Racing (Off-course Doubles Totalizators) Act 1961* shall come into operation.

Given under my Hand and the Seal of the State of Victoria aforesaid at Melbourne, this nineteenth day of December, in the year of our Lord One thousand nine hundred and sixty-one, and in the tenth year of the reign of Her Majesty Queen Elizabeth II.

(L.S.) DALLAS BROOKS.

By His Excellency's Command,
A. G. RYLAH,
Chief Secretary.

GOD SAVE THE QUEEN!

BANK HOLIDAY.

PROCLAMATION

By His Excellency the Governor of the State of Victoria and its Dependencies in the Commonwealth of Australia, &c., &c., &c.

IN pursuance of the provisions of the *Bank Holidays Act 1958*, I, the Governor of the State of Victoria, in the Commonwealth of Australia, do by this my Proclamation appoint the day and date named hereunder a special day to be observed as a Bank Holiday at the place mentioned, that is to say:—

Bank Holiday:—

SATURDAY, THE 30TH DECEMBER, 1961, at Benalla.

Given under my Hand and the Seal of the State of Victoria aforesaid, at Melbourne, this twelfth day of December, in the year of our Lord One thousand nine hundred and sixty-one, and in the tenth year of the reign of Her Majesty Queen Elizabeth II.

(L.S.) DALLAS BROOKS.

By His Excellency's Command,
E. R. MEAGHER,
Chief Secretary.

GOD SAVE THE QUEEN!

BANK HOLIDAY

PROCLAMATION

By His Excellency the Governor of the State of Victoria and its Dependencies in the Commonwealth of Australia, &c., &c., &c.

IN pursuance of the provisions of the *Bank Holidays Act 1958*, I, the Governor of the State of Victoria, in the Commonwealth of Australia, do by this my Proclamation appoint the day and date named hereunder a special day to be observed as a Bank Holiday at the place mentioned, that is to say:—

Bank Holiday:—

SATURDAY, THE 30TH DECEMBER, 1961, at Jeparit.

Given under my Hand and the Seal of the State of Victoria aforesaid, at Melbourne, this nineteenth day of December, in the year of our Lord One

thousand nine hundred and sixty-one, and in the tenth year of the reign of Her Majesty Queen Elizabeth II.

(L.S.) DALLAS BROOKS.

By His Excellency's Command,
A. G. RYLAH,
Chief Secretary.

GOD SAVE THE QUEEN!

PUBLIC HALF-HOLIDAYS.

PROCLAMATION

By His Excellency the Governor of the State of Victoria and its Dependencies in the Commonwealth of Australia, &c., &c., &c.

IN pursuance of the provisions contained in Part III. of the *Public Service Act 1958*, I, the Governor of the State of Victoria, in the Commonwealth of Australia, by and with the advice of the Executive Council of the said State, do by this my Proclamation appoint the days and dates hereunder mentioned to be observed as Public Half-Holidays at the places respectively specified, viz.:—

Public Half-Holidays from the Hour of Twelve o'clock noon:—

TUESDAY, THE 20TH FEBRUARY, 1962, throughout the Shire of Colac.

TUESDAY, THE 20TH FEBRUARY, 1962, within the City of Colac.

Given under my Hand and the Seal of the State of Victoria aforesaid, at Melbourne, this nineteenth day of December, in the year of our Lord One thousand nine hundred and sixty-one, and in the tenth year of the reign of Her Majesty Queen Elizabeth II.

(L.S.) DALLAS BROOKS.

By His Excellency's Command,
A. G. RYLAH,
Chief Secretary.

GOD SAVE THE QUEEN!

CHRISTMAS AND NEW YEAR HOLIDAYS.

IT is hereby notified that on—

MONDAY, THE 25TH DECEMBER, 1961,
TUESDAY, THE 26TH DECEMBER, 1961,
MONDAY, THE 1ST JANUARY, 1962, and
TUESDAY, THE 2ND JANUARY, 1962,

the Public Offices will be closed, such days having been appointed by the *Public Service Act 1958* to be observed as holidays in the Public Offices throughout the State of Victoria.

This notice relates only to the closing of the State Public Offices. All inquiries regarding holidays in other offices and in shops and industry should be directed to the Department of Labour and Industry, Old Treasury Building, Spring-street, Melbourne, C.1. (Telephone 63 0321, Extension 6158 or 6382.)

A. G. RYLAH,
Chief Secretary.

Chief Secretary's Office,
Melbourne, C.1, 28th November, 1961.

PUBLICATION OF THE "VICTORIA GOVERNMENT GAZETTE."

IT is hereby notified that, owing to the Christmas and New Year Holidays, the last issue of the *Victoria Government Gazette* for the year 1961 will be published on Wednesday, the 20th December, except if special circumstances shall require otherwise.

The next *Gazette* after the 20th December, 1961, will be published on Friday, the 5th January, 1962, and thereafter on each Wednesday, as usual.

A. C. BROOKS,
Government Printer.

MUNICIPAL CLERKS BOARD.

THE Annual Examination for a Certificate of Competency as Municipal Clerk will be held at Melbourne on 13th, 14th and 15th February, 1962.

Applications for permission to sit should reach the secretary not later than 15th January, 1962.

E. D. DICKSON,
Secretary, Municipal Clerks Board.

61 Spring-street, Melbourne, C.1.

Transport Regulation Act.
TRANSPORT REGULATION BOARD.

NOTICES OF PUBLIC HEARINGS.

NOTICE is hereby given that the applications made by the persons named below, for licences to operate commercial passenger vehicles on the route or routes or in the manner set out opposite their names will be heard at a time and place to be communicated to the parties:—

Name and Address; Nature of Application.

GENERAL CORRUGATED PAPER CO., Somerville-road, Brooklyn; 1 commercial goods vehicle with seating capacity for 16 persons to operate for the carriage of employees only free of charge between the Footscray Railway Station and the company's wood sheds in Somerville-road via Nicholson-street, Buckley-street, Geelong-road and Somerville-road.

SMORGAN, NORMAN, PTY. LTD., Somerville-road, Brooklyn; 1 goods type vehicle (Commer Van) with seating capacity for 12 passengers to operate under the same terms and conditions as licence No. T.P.63, at present held in the applicant's name.

APPLICATIONS for metropolitan taxi-cab licences by the persons listed hereunder in respect of commercial passenger vehicles with seating capacity for 5 persons:—

Name and Address.

VERNON, E. V., 17 Shedden-street, Pascoe Vale South.

POWELL, H. A., 137 Kent-street, North Richmond.

BUTCHER, C., 15 Brockley-road, Fawkner.

KARLIK, J., 20 Keats-avenue, Kingsbury.

APPLICATIONS for metropolitan private hire car licences by the persons listed hereunder in respect of commercial passenger vehicles with seating capacity for five persons to operate under composite conditions from an approved depot in zone set out opposite their names:—

Name and Address; Zone.

SCALES, J. G., 51 Royal-avenue; North Essendon; "N", "J".

PHILLIPS, E., 1 Hume-street, Beaumaris; 1 commercial passenger vehicle with seating capacity for 5 persons to operate as a metropolitan taxi-cab subject to the cancellation of metropolitan private hire licence No. M.H.2100 operated from South Suburban Radio Taxis in the name of the applicant.

PENTECOSTAL CHURCH, Box 11, Post Office, Richmond; application for renewal of licence No. T.P.40, expiring 23rd December, 1961, authorizing operations under the same terms and conditions.

PEARCE, R. O., Bethanga; application for renewal of licence No. T.P.48, expiring 17th April, 1962, authorizing operations under the same terms and conditions.

WILLIAMSON, B. A., 31 Pierce-street, Yarrowonga; application for renewal of licence No. T.P.64, expiring 11th April, 1962, authorizing operations under the same terms and conditions.

BURROWS, K. W., Parker-road, Silvan; application for renewal of licence No. T.P.105, expiring 18th December, 1961, authorizing operations under the same terms and conditions.

HUBBARD, R. F., Main-road, Hepburn Springs; application for renewal of licence Nos. T.S.304 and T.S.92, expiring 31st January, 1962, authorizing operations under the same terms and conditions.

SMORGAN, NORMAN, PTY. LTD., Somerville-road, Brooklyn; application for renewal of licence No. T.P.63, expiring 31st December, 1961, authorizing operations under the same terms and conditions.

NOTICE is hereby given that the applications made by the persons named below for renewal of temporary licences for a period of twelve months, to operate the commercial goods vehicles on the route or routes or in the manner set out opposite their names, will be heard at a time and place to be communicated to the parties concerned:—

Name and Address; Present Franchise; Licence No; Date of Expiry.

BAKER, H. (trading as Baker and Morgan), Whitfield; 1 commercial goods vehicle (264 cwt.) to operate for the carriage of—(1) logs from private properties within a radius of 20 miles of the post office at Whitfield to Baker and Morgan's sawmill at Whitfield, (2) sawn timber from Baker and Morgan's sawmill at

Whitfield to consignees within a radius of 50 miles of the post office at Whitfield, and to consignees at Shepparton, (3) sawmilling equipment for operations at Baker and Morgan's sawmill at Whitfield from suppliers within a radius of 50 miles of Whitfield, (4) logs from forest landings in the Whitfield area to sawmills within a radius of 50 miles of Whitfield; T.T.D.115; 15th March, 1962.

BATH, C. J., & E. I. J. (trading as C. J. Bath), Symons-street, Healesville; 1 commercial goods vehicle (200 cwt.) to operate for the carriage of—(1) logs from any forest landing in the Niagara and Upper Yarra forestry districts and the North Big River area, (a) to the railway station at Healesville and to any mill or dump which is located within a radius of 20 miles of such landing or of the railway station at Healesville, (2) sawn timber from the Don sawmill and Woodvale Sawmilling Company's sawmills at Healesville, (a) to the railway station at Healesville, (b) to any customer if delivered within a radius of 20 miles of the railway station at Healesville; T.T.D.121/2; 20th March, 1962.

BARNES, J., Beaconsfield; 1 commercial goods vehicle (81 cwt.) to operate for the carriage of—(1) within a radius of 20 miles of Beaconsfield—general goods, (2) from private properties within a radius of 25 miles of the G.P.O., Melbourne, and from Beaconsfield, Wandin, and Toolangi to Berry's basket factory at Richmond and to A. Maxwell's case factory at Dandenong—case logs and own logging equipment, (3) from own yard at Beaconsfield to consignees at Melbourne—firewood; T.T.D.561; 20th March, 1962.

BILLS, L., Box 198, East Bairnsdale; 1 commercial goods vehicle (approximately 200 cwt.) to operate for the carriage of—(1) logs from forest landings in the area east of a north/south line drawn through the Township of Waygara to mills at Waygara, (2) sawn timber from mills east of a north/south line drawn through the Township of Orbost to consignees and the railway station at Orbost; T.T.D.133; 6th March, 1962.

BRUNT, D., 13 Oats-street, Orbost; 1 commercial goods vehicle (340 cwt.) to operate for the carriage of—(1) from forest landings, (i) within a radius of 40 miles of Bemm River to sawmills at Bemm River—logs, (ii) from forest landings within a radius of 40 miles of Cabbage Tree to sawmills at Cabbage Tree—logs, (2) from sawmills at Bemm River and Cabbage Tree to railhead at Orbost and consignees at Orbost—sawn timber; T.T.D.579; 6th March, 1962.

CAIRNS, P., 30 Coster-street, Alexandra; 1 commercial goods vehicle (261 cwt.) to operate for the carriage of logs from forest landings in the Alexandra area to timber yards within a radius of 25 miles of Melbourne. *Route:* Via Maroondah Highway and Healesville; T.T.D.534; 6th March, 1962.

CAMBARVILLE TRANSPORT CO., 171 Doncaster-road, North Balwyn; 1 commercial goods vehicle (266 cwt.) to operate for the carriage of sawn timber from the Cambarville Transport Company's sawmill at Cambarville—(a) to the railway station at Healesville, (b) to any customer if delivered within a radius of 20 miles of the Healesville railway station, (c) to any merchant or builder if delivered to a timber yard or direct on to a building site which is situated within a radius of 25 miles of the G.P.O., Melbourne; T.T.D.157; 3rd March, 1962.

CLOAK, R. J., I. F., & A. R. (trading as Cloak, R. J., & Son), 92 Grandview-grove, Inverloch; 1 commercial goods vehicle (100 cwt.) to operate for the carriage of—(1) within a radius of 30 miles of the post office at Inverloch—own goods, (2) from Webb's sawmill at Yarragon and Harburn Timber Trading Company at Darnum to places within paragraph (a)—sawn timber for use on own contracts; T.T.D.564; 20th March, 1962.

COOKE, B., Ferguson-street, Broadford; 1 commercial goods vehicle (258 cwt.) to operate for the carriage of logs from private properties in the Wallan East area, Forests Commission landings in the Mt. Disappointment area, and private properties in the Broadford, Tallarook areas to sawmills in Melbourne and the metropolitan area; T.T.D.167/2; 14th March, 1962.

CURTIN, G., Princes Highway, Trafalgar; 1 commercial goods vehicle (240 cwt.) to operate for the carriage of logs from any forest landings within a radius of 10 miles from the post office at Moe to sawmills at Dandenong and Noble Park; T.T.D.553; 20th March, 1962.

DONCHI, J. A., J. B., A. K., C. A., & M. (trading as Donchi Bros.), 39 Reed-street, Orbost; 1 commercial goods vehicle (242 cwt.) to operate for the carriage of—(1) poles from forest landings east of a line drawn north and south through Tostaree to railhead at Orbost, (2) logs from forest landings within a radius of 40 miles of Orbost to sawmills within the radius, (3) sawn tim-

- ber from sawmills within a radius of 40 miles of Orbost to railhead at Orbost, (4) railway sleepers from forest landings within a radius of 40 miles of Orbost to railhead at Orbost, (5) own plant and equipment within the area defined in paragraph (1); T.T.D.411; 20th March, 1962.
- DOWNNEY, W. D., & Co. PTY. LTD.**, 79 Lorimer-street, South Melbourne; 1 commercial goods vehicle (253 cwt.) to operate for the carriage of—(1) from any forest landings within a radius of 50 miles of Dargo to own sawmill at Dargo—logs, (2) from own sawmill at Dargo to railhead at Fernbank or Stratford and consignees at Stratford and Sale—sawn timber; T.T.D.183; 20th March, 1962.
- LESLIE, C.**, Railway-street, Euroa; 1 commercial goods vehicle (231 cwt.) to operate for the carriage of—(1) within a radius of 20 miles of Euroa—sawn timber, (2) from Euroa to the Townships of Kyabram, Merrigum, Numurgah, Shepparton, Stanhope and Elmore—sawn timber; T.T.D.263; 28th March, 1962.
- LIND, V.**, "Maverloyd" Guest House, Warburton; 1 commercial goods vehicle (285 cwt.) to operate for the carriage of logs from forest landings in the Matlock and Starvation Creek areas to Alpine Timber and Trading Company sawmill at Millgrove; T.T.D.538; 20th March, 1962.
- LOCKMAN, J.**, 22 Little-street, Daylesford; 1 commercial goods vehicle (152 cwt.) to operate for the carriage of pulpwood from bush sites in the Lyonville area to C.S.R. factory at Bacchus Marsh; T.T.D.413; 20th March, 1962.
- McFADZEAN, E.**, 3 Langtree-avenue, Wangaratta; 1 commercial goods vehicle (266 cwt.) to operate for the carriage of logs from forest landings in the Mt. Buller area to Pinnacle sawmill at Mirimbah and Terrett's sawmill at Benalla; T.T.D.457; 6th March, 1962.
- McMAHON, F.**, Calvert-street, Bairnsdale; 1 commercial goods vehicle (273 cwt.) to operate for the carriage of—(1) logs from forest landings in the Buchan area to sawmills at Buchan and Bairnsdale, (2) logs from forest landings in the Gelantipy area to sawmills at Gelantipy; T.T.D.551; 20th March, 1962.
- MILNES, J.**, Main-street, Lavers Hill; 1 commercial goods vehicle (160 cwt.) to operate for the carriage of—(1) from forest landings within a radius of 30 miles of the post office at Lavers Hill to sawmills at Colac—logs, (2) within the Shire of Otway on behalf of the Shire—earth-moving equipment; T.T.D.414; 20th March, 1962.
- MILLS, R.**, care of Mt. Bulla Timber Co., Mansfield; 1 commercial goods vehicle (approximately 250 cwt.) to operate for the carriage of logs from forest landings in the Mt. Bulla and Toimie areas to sawmills at Mansfield and Benalla; T.T.D.277; 20th March, 1962.
- MORRIS, K.**, Bridge-street, Trentham; 1 commercial goods vehicle (123 cwt.) to operate for the carriage of pulpwood from bush sites in the Trentham area to C.S.R. factory at Bacchus Marsh; T.T.D.406; 20th March, 1962.
- NEVILL, J.**, Main-road, Hepburn Springs; 1 commercial goods vehicle (140 cwt.) to operate for the carriage of pulpwood from bush sites at Daylesford, Korweinguboora and Spargo Creek to C.S.R. factory at Bacchus Marsh; T.T.D.446/2; 14th March, 1962.
- PEARSE, F.**, Forrest; 1 commercial goods vehicle (276 cwt.) to operate for the carriage of—(1) from forest landings in the Otway area to sawmills at Forrest—logs, (2) from sawmills at Forrest to consignees at Geelong—sawn timber; T.T.D.312/3; 20th March, 1962.
- PORTER, L.**, Owen-street, Heywood; 1 commercial goods vehicle (247 cwt.) to operate for the carriage of—(1) within a radius of 20 miles of own sawmills at Homer-ton and Hotspur—logs, (2) from own sawmill at Heywood to consignees within a radius of 50 miles of Heywood—sawn timber; T.T.D.318; 28th March, 1962.
- RICE, J.**, Elvins-street, Mansfield; 1 commercial goods vehicle (253 cwt.) to operate for the carriage of logs from forest landings in the Mt. Buller and Tambullup areas to sawmills at Mansfield and Benalla; T.T.D.320; 28th March, 1962.
- PUTT, NORMAN, PTY. LTD.**, Maroondah Highway, Healesville; 1 commercial goods vehicle (94 cwt.) to operate for the carriage of sawn timber, mouldings and floorings from own sawmill at Healesville to consignees in the metropolitan area; T.T.D.321/2; 24th March, 1962.
- REICE, G.**, Yarra Junction; 1 commercial goods vehicle (195 cwt.) to operate for the carriage of—(1) from forest landings within a radius of 20 miles of Yarra Junction to R. F. and A. F. Kennedy's mill at Yarra Junction and to Spencer's mill at Wesburn—logs, (2) from R. F. and A. F. Kennedy's mill at Yarra Junction to building sites and timber yards within a radius of 25 miles of Melbourne—sawn timber and fencing timber and palings, (3) from forest landings in the Warburton, East Warburton and Powelltown areas to the P.M.G. depot at Brooklyn—telephone poles, (4) within a radius of 30 miles of own premises at Yarra Junction—own bulldozer; T.T.D.556/1; 14th March, 1962.
- ROWE, E.**, 65 King-street, Hamilton; 1 commercial goods vehicle (269 cwt.) to operate for the carriage of—(1) from State forests landings at Woolhpoer, Victoria Valley and Drumborg to Rowe (Hamilton) Pty. Ltd.'s sawmills at Hamilton—logs, (2) from Rowe's (Hamilton) sawmills to consignees within a radius of 50 miles from Hamilton—sawn timber, (3) within a radius of 20 miles from the post office at Hamilton—general goods; T.T.D.334; 28th March, 1962.
- ROWE'S TRANSPORT & LOGGING PTY. LTD.**, Coleraine-road, Hamilton; 1 commercial goods vehicle (161 cwt.) to operate for the carriage of—(1) from forest landings at Woolhpoer, Victoria Valley and Drumborg to Rowe Transport and Logging Pty. Ltd.'s sawmill at Hamilton—logs, (2) from Rowe Transport and Logging Pty. Ltd.'s sawmill at Hamilton to consignees within a radius of 50 miles of Hamilton—sawn timber; T.T.D.558; 20th March, 1962.
- SEAMER, H.**, Main-road, Monbulk; 1 commercial goods vehicle (229 cwt.) to operate for the carriage of—(1) within a radius of 20 miles of Monbulk—general goods, (2) from private properties in the Kinglake area to the S.E.C. depot at Brooklyn—poles, (3) within a radius of 50 miles of own premises at Monbulk in the course of business as "logging and road-making contractor"—tools of trade, logging and road-making equipment incidental to own contracts and on behalf of other contracts; T.T.D.516/2; 20th March, 1962.
- SEAMER, H.**, Main-road, Monbulk; 1 commercial goods vehicle (260 cwt.) to operate for the carriage of—(1) within a radius of 20 miles of Monbulk—general goods, (2) from private properties in the Kinglake area to the S.E.C. depot at Brooklyn—poles; T.T.D.516/3; 20th March, 1962.
- SCHIMLECK, W.**, Kinglake; 1 commercial goods vehicle (261 cwt.) to operate for the carriage of—(1) from forest landings in the Kinglake area to sawmills at Ringwood—logs, (2) from forest landings in the Kinglake area to S.E.C. depot at Brooklyn—poles; T.T.D.412; 20th March, 1962.
- SCHUBERT, F. A. & D. J.** (trading as Schubert and Son), Baranduda via Wodonga; 1 commercial goods vehicle (207 cwt.) to operate for the carriage of—(1) logs from any forest landings in the Eskdale and Lockhart's Gap area to J. Schubert and Son's sawmill at Baranduda, (2) logs from forest landings in the Cravenville area to J. Schubert and Son's sawmill at Baranduda, (3) sawn timber from J. Schubert and Son's sawmill at Buchean Creek to J. Schubert and Son's timber yards at Baranduda; T.T.D.341; 20th March, 1962.
- SILVESTER, D.**, 128 Grey-street, Traralgon; 1 commercial goods vehicle (250 cwt.) to operate for the carriage of—(1) pulpwood from places situate within a radius of 20 miles from the post office at Traralgon and the Rytan and Gunyah areas to Australian Paper Mills Ltd. at Maryvale, (2) logs from forest landings at Rytan, English's Corner, Gunyah and Traralgon South to Alstergren's sawmill at Trafalgar; T.T.D.549; 14th March, 1962.
- SPENCER, L. E. & D. M.**, corner of Davis and Macfarlane streets, Heyfield; 1 commercial goods vehicle (350 cwt.) to operate for the carriage of logs from any forest landing in the Licola area to sawmills at Heyfield; T.T.D.348; 7th March, 1962.
- WALLER, F.**, Box 164, Orbost; 1 commercial goods vehicle (265 cwt.) to operate for the carriage of sawn timber from Waygara Sawmilling Co., at Sardine Creek to Waygara Sawmilling Co., Waygara; T.T.D.409; 20th March, 1962.
- WELCH, K.**, Bright; 1 commercial goods vehicle (111 cwt.) to operate for the carriage of—(1) within a radius of 20 miles of Bright—general goods, (2) to consignees within a radius of 50 miles from Bright Pine Mills Pty. Ltd.'s sawmill at Bright—sawn and dressed pine timber; T.T.D.465; 6th March, 1962.
- WILLEY, C.**, 15 Piper-street, Fawkner; 1 commercial goods vehicle (265 cwt.) to operate for the carriage of logs from forest landings in the Matlock, Upper Thompson, Whitelaw and Tanjil Bren areas to the Noojee Logging Co.'s mill at Noojee for the carriage of logs; T.T.D.410; 20th March, 1962.
- WILSON, R.**, 46 Stephenson-street, South Kingsville; 1 commercial goods vehicle (125 cwt.) to operate for the carriage of—(1) within a radius of 25 miles of Melbourne in the course of business as "fencing contractor and supplier"—own goods, (2) from Orr's mill at Ballan and Daniel's mill at Korweinguboora to own yard at South Kingsville—palings and fencing rails; T.T.D.399; 15th March, 1962.

- YARRA VALLEY TRANSPORT PTY. LTD.**, Main-street, Yarra Junction; 1 commercial goods vehicle (257 cwt.) to operate for the carriage of—(1) sawn timber from Victoria Hardwood Co.'s sawmill at Powelltown, E. Lloyd's sawmill at Gladysville and the Moreland Timber Co.'s sawmill at Yarra Junction—(a) to the railway station at Warburton and/or Yarra Junction, (b) to any customer if delivered within a radius of 20 miles of the railway station at Warburton and/or Yarra Junction, (c) to any merchant or builder if delivered to timber yard or direct on to building site which is situated within a radius of 25 miles of the G.P.O., Melbourne; T.T.D.403/2; 20th March, 1962.
- YELDS, G.**, Bendoc; 1 commercial goods vehicle (336 cwt.) to operate for the carriage of—(1) from any forest landings in the Bendoc area to sawmills at Bendoc—logs, (2) from sawmills at Bendoc to railhead at Orbost—sawn timber; T.T.D.420; 20th March, 1962.
- YOUNG, V.**, Thorpdale; 1 commercial goods vehicle (259 cwt.) to operate for the carriage of logs from the Licola logging area to sawmills at Heyfield; T.T.D.411; 20th March, 1962.
- DUNSTAN, A. P. A., W. J., & L. F.** (trading as A. Dunstan and Sons), 1-7 Tallangatta-road, Wodonga; 1 commercial goods vehicle (239 cwt.) to operate for the carriage of—(1) logs from the Forests Commission's lease at Mt. Wills to A. Dunstan and Sons' sawmill at Eskdale, (2) sawn timber from A. Dunstan and Sons' sawmill at Eskdale to A. Dunstan and Sons' timber yard at Wodonga and to the railway station at Wodonga and Albury, (3) to carry between Wodonga and Eskdale and Mt. Wills goods used for the maintenance and operation of own sawmill at Eskdale and logging camp at Mt. Wills; T.T.D. 185; 23rd March, 1962.
- EVANS PTY. LTD., D. & J.**, 171-193 Camberwell-road, Hawthorn East; 1 commercial goods vehicle (223 cwt.) to operate for the carriage of—(1) logs from forest landings in the Niagaroon and Upper Yarra forestry districts and the North Big River area to D. & J. Evans Pty. Ltd.'s sawmill at Toolangi, (2) sawn timber from D. and J. Evans Pty. Ltd.'s sawmill at Toolangi, (a) to the railway station at Healesville, (b) to any customer if delivered within a radius of 20 miles of the Healesville railway station, (c) to any merchant or builder if delivered to a timber yard or direct on to a building site which is located within a radius of 25 miles of the G.P.O., Melbourne and to D. and J. Evans Pty. Ltd.'s yards at Hawthorn; T.T.D.190/1; 24th March, 1962.
- EVERITT, C.**, Roadside Delivery, South Wangaratta; 1 commercial goods vehicle (260 cwt.) to operate for the carriage of—(1) logs from forest landings in the Whitland area to the Rutherglen Timber Company's sawmill at Rutherglen and Moyhu sawmill at Moyhu, (2) logs from forest landings within a radius of 35 miles of the Rutherglen Timber Company's sawmill at Rutherglen to Rutherglen Timber Company's sawmill at Rutherglen, (3) sawn timber from the Rutherglen sawmill at Rutherglen and Moyhu sawmill at Moyhu to consignees at Cobram, Wangaratta, Wodonga and the border of New South Wales *en route* to Albury, Finley and Berrigan; T.T.D.192; 4th March, 1962.
- FEIGLIN, M., & SONS PTY. LTD.**, Station-street, Nunawading; 4 commercial goods vehicles (252, 259, 250, and 259 cwt.) to operate for the carriage of—(1) logs from any forest landings in the Niagaroon and Upper Yarra forestry districts and the North Big River area, also from the Mt. Margaret and Taggerty Valley areas to M. Feiglin and Sons Pty. Ltd.'s sawmill at Narbethong and Nunawading, (a) to the railway station at Healesville and to any mill or dump which is located within a radius of 20 miles of such landing or of the railway station at Healesville, (b) to any mill or yard situated within a radius of 25 miles of the G.P.O., Melbourne, (c) logs and log baulks from Howqua, Stanley Creek, Mansfield and Jamieson areas to M. Feiglin and Sons Pty. Ltd.'s sawmills at Mansfield, (d) own logging equipment between own sawmills at Mansfield, Narbethong and Nunawading and bush landings in the Buller, Margaret, Taggerty Valley and Jamieson areas, (e) own logging and orchard equipment between own mills, logging sites and own orchards, (2) sawn timber from M. Feiglin and Sons Pty. Ltd.'s sawmill at Narbethong, (a) to the railway station at Healesville, (b) to any customer if delivered within a radius of 20 miles of the railway station at Healesville, (c) to any merchant or builder if delivered to timber yards or direct on to building sites which are located within a radius of 25 miles of the G.P.O., Melbourne, (3) sawn timber from M. Feiglin and Sons Pty. Ltd.'s sawmill at Mansfield to the railway station at Mansfield, (4) from own forest landings in the Millgrove area to own mills at Narbethong and Nunawading—logs and own logging equipment; T.T.D.193/1; 24th March, 1962; T.T.D.193/7; 4th March, 1962; T.T.D.193/8; 4th March, 1962; T.T.D.193/9; 7th March, 1962.
- FLINN, W.**, Omeo Highway, Bruthen; 1 commercial goods vehicle (183 cwt.) to operate for the carriage of—(1) from forest landings within a radius of 50 miles of Bruthen to railhead at Bairnsdale—pulpwood, (2) from sawmills at Omeo and Ensay to railhead at Bruthen—sawn timber; T.T.D.195/1; 6th March, 1962.
- FORT, A.**, Coleraine-road, Hamilton; 1 commercial goods vehicle (264 cwt.) to operate for the carriage of—(1) within a radius of 20 miles of Hamilton—general goods, (2) from Victoria Valley to mills at Hamilton—logs; T.T.D.197; 21st March, 1962.
- GERRISH, A.**, 48 Moore-street, Moe; 1 commercial goods vehicle (265 cwt.) to operate for the carriage of logs from forest landings at Christmas Creek in the Tanjil Bren area to Saxton's sawmill at Moe—logs; T.T.D.407; 20th March, 1962.
- GLEESON, J.**, Neerim South; 1 commercial goods vehicle (100 cwt.) to operate for the carriage of—(1) logs from J. P. Gleeson's forest landing at Neerim South to J. P. Gleeson's sawmill at Neerim South, (2) sawn timber from J. P. Gleeson's sawmill at Neerim South to McGelson's timber yards at Warragul and I. D. Grubb's timber yards at Drouin and to consignees within a radius of 20 miles of the afore-mentioned sawmills at Neerim South; T.T.D.206; 20th March, 1962.
- GOULD, J. L. PTY. LTD.**, Falls-road, Marysville; 1 commercial goods vehicle (100 cwt.) to operate for the carriage of—(1) sawn timber and palings from own mill at Narbethong and Healesville to consignees within a radius of 25 miles from the G.P.O., Melbourne, (2) between depot at Newport and own sawmills at Narbethong and Healesville—petroleum products for own use and empty containers; T.T.D.213/2; 21st March, 1962.
- GRAY, R.**, 21A Gillies-street, Benalla; 1 commercial goods vehicle (220 cwt.) to operate for the carriage of logs from forest landings in the Mt. Buller area to Terrett's sawmill at Benalla; T.T.D.215; 2nd March, 1962.
- HESZ, S.**, Maffra-road, Heyfield; 1 commercial goods vehicle (280 cwt.) to operate for the carriage of logs from forest landings in the Licola area to sawmills at Heyfield; T.T.D.235/2; 20th March, 1962.
- HORNBUCKLE, E.**, Briagalong; 1 commercial goods vehicle (266 cwt.) to operate for the carriage of—(1) from forest landings in the Briagalong area to S.E.C. depot at Bairnsdale—poles, (2) from sawmills at Briagalong and Stratford to railhead at Stratford and consignees within a radius of 20 miles of post office at Stratford—sawn timber, (3) from forest landings within a radius of 40 miles of the post office at Stratford to sawmills at Stratford and Briagalong—logs; T.T.D.419; 20th March, 1962.
- HOWARD, G.**, Leonards Hill; 1 commercial goods vehicle (99 cwt.) to operate for the carriage of pulpwood from bush sites in the Leonards Hill area to C.S.R. factory at Bacchus Marsh; T.T.D.557; 14th March, 1962.
- KENNEDY, J., & H. MCDAIRMID** (trading as Kennedy and McDairmid), 166 Nicholson-street (Box 231), Bairnsdale; 1 commercial goods vehicle (255 cwt.) to operate for the carriage of—(1) within a radius of 20 miles of Bairnsdale—logs, (2) from forest landings at Dargo, Lindenow, Omeo Highway and Buchan to railhead and S.E.C. depot at Bairnsdale—logs; T.T.D.547; 6th March, 1962.
- LEE, A.**, 2 Park-lane, Traralgon; 1 commercial goods vehicle (247 cwt.) to operate for the carriage of—(1) within a radius of 20 miles of the post office at Traralgon—general goods, (2) from Downey's Sawmill at Dargo to the Fernbank railway station—sawn timber; T.T.D.565; 20th March, 1962.
- LEECH, C.**, Maclise-street, Castlemaine; 1 commercial goods vehicle (375 cwt.) to operate for the carriage of redgum logs from forest landings in the Kyneton area and Metcalf area to Albion Sawmills at Albion; T.T.D.546; 6th March, 1962.
- LEITH, H.**, Main-street, Warburton; 1 commercial goods vehicle (268) to operate for the carriage of—(1) logs from forest landings in the Niagaroon and Upper Yarra forestry districts and the Big River areas, (a) to the railway station at Warburton and/or Yarra Junction and to such landings or of the railway stations at Warburton and/or Yarra Junction, (b) to any mill or timber yard situated within a radius of 25 miles of the G.P.O., Melbourne, (2) sawn timber from St. Clair Timber Company at Wesburn to St. Clair Timber Company's yards at East Brunswick and to building sites and merchants within a radius of 25 miles of the G.P.O., Melbourne; T.T.D.262/1; 28th March, 1962.

NOTICE is hereby given that the applications made by persons named below for renewal of licences to operate the commercial goods vehicles on the route or routes or in the manner set out opposite their names will be heard at a time and place to be communicated to the persons concerned:—

Name and Address; Present *Francise*; Licence No.; Date of Expiry.

- ASHBY, R. C., 1A Woolton-avenue, Thornbury; 1 commercial goods vehicle (15 cwt.) to operate throughout the State of Victoria in the course of licensee's business as "plumber"—tools of trade and materials for use in connexion with the execution of own installation contracts; D.A.561; 20th March, 1962.
- CLAUDE NEON LIGHTS (VICTORIA) LIMITED, 291 Mount Alexander-road, Ascot Vale; 1 commercial goods vehicle (54 cwt.) to operate throughout the State of Victoria in the course of licensee's business as "lighting engineers"—own advertising signs, lighting equipment, glass tubing and electrical equipment; D.A.1714/2; 24th March, 1962.
- COMMONWEALTH AIRCRAFT CORPORATION PTY. LTD., Lorimer-street, Port Melbourne; 2 commercial goods vehicles (165 cwt. each) to operate—(a) within a radius of 25 miles from the Post Office situate at the corner of Bourke and Elizabeth streets in the City of Melbourne in the course of business as "aircraft manufacturers"—own goods, (b) from and to the radius described in paragraph (a) above to and from the Avalon Air Field situate at Lara—own aircraft spare parts and assemblies for use in the construction, assembly and repair of aircraft on behalf of the Defence Department; D.A.2387/1, D.A.2387/2; 22nd March, 1962.
- DOYLE, W., Lot 131, Frawley-road, Hallam; 1 commercial goods vehicle (213 cwt.) to operate within a radius of 50 miles from the post office at Pakenham Upper under contract to Fowlers Road Construction Pty. Ltd.—road-making plant and materials; D.A.32175; 24th March, 1962.
- EVERON INDUSTRIAL DRY CLEANERS PTY. LTD., 401 Brunswick-street, Fitzroy; 1 commercial goods vehicle (12 cwt.) to operate—(a) within a radius of 50 miles from licensee's premises at 401 Brunswick-street, Fitzroy, and to and from the township of Warragul, in the course of licensee's business as "industrial dry cleaners"—articles for dry cleaning or having been dry cleaned, (b) between licensee's premises at 401 Brunswick-street, Fitzroy, and the township of Traralgon and places *en route* via the Princes Highway—industrial garments for cleaning or having been cleaned in the course of licensee's business as aforesaid; D.A.31362; 24th March, 1962.
- FOWLER ROAD CONSTRUCTIONS PTY. LTD., Lorimer-street, South Melbourne; 1 commercial goods vehicle (74 cwt.) to operate throughout the State of Victoria as a "bitumen spraying unit"—own road spraying contracts; D.A.1092/7; 17th February, 1962.
- FREGON, L. D., & J. A. GARDINER (trading as Fregon and Gardiner), Box 9, Post Office, Oakleigh; 1 commercial goods vehicle (174 cwt.) to operate within a radius of 70 miles from the premises of the New Gamble Brick and Quarrying Co. Pty. Ltd. at Oakleigh—bricks on behalf of the said company; D.A.30746/1; 3rd March, 1962.
- GERRARD WIRE TYING MACHINES CO. PTY. LTD., Box 4568, G.P.O., Melbourne; 1 commercial goods vehicle (22 cwt.) to operate throughout the State of Victoria—tools of trade, spare parts and materials incidental to the servicing and maintenance of wire tying machines; D.A.32176; 24th March, 1962.
- GREEN, A. W., & SONS, Jancourt East, via Cobden; 1 commercial goods vehicle (57 cwt.) to operate—(a) from the nearest railway station or most convenient supplier to Soldier Settlement sites in the State of Victoria within a radius (in each particular case) of 50 miles from the aforesaid nearest railway station or most convenient supplier—building materials for use in the construction of dairies at such sites under contract to the Soldier Settlement Commission or dairy farmers, (b) throughout the State of Victoria—own plant, tools of trade and camping gear of the holder of this licence from site to site as required; D.A.30975; 5th November, 1961.
- HODGINS, K. A., Crescent-road, Tyabb; 1 commercial goods vehicle (123 cwt.) to operate—(a) from or to the metropolitan area as defined in the *Transport Regulation Act 1958*, to or from the following places, namely Somerville, Tyabb, Hastings, Bittern, Crib Point, Balnarring, Somers and Flinders Naval Base, all journeys to be made via the Nepean Highway to Frankston and thence via the Frankston-Flinders road through Somerville and Hastings—general goods, (b) within a radius of 20 miles from the post office at Tyabb—general goods but excluding all goods carried pursuant to paragraph (a) above; D.A.31734; 24th March, 1962.
- LANGMAID, H. E., 1 Ballinamona-street, Fairfield; 1 commercial goods vehicle (10 cwt.) to operate throughout the State of Victoria in the course of licensee's business as "builder"—tools of trade and small quantities of building materials, incidental to the completion of own contracts; D.A.32206; 24th March, 1962.
- LOBB, B., 5 Burlington-street, Oakleigh; 1 commercial goods vehicle (115 cwt.) to operate—(a) within a radius of 25 miles from the Post Office situate at the corner of Bourke and Elizabeth streets in the City of Melbourne—general goods, (b) within a radius of 70 miles from the premises of the Glen Iris Brick, Tile and Terra Cotta Co. Pty. Ltd., at Oakleigh—bricks on behalf of the said company; D.A.12543; 15th March, 1962.
- LOVE, A. B., Bacchus Marsh; 1 commercial good vehicle (82 cwt.) to operate—(a) within a radius of 20 miles from the post office at Bacchus Marsh—general goods, (b) within a radius of 50 miles from the post office at Bacchus Marsh—petroleum products in prescribed types of containers and empty containers; D.A.1521/1; 24th November, 1961.
- MACKENZIE, C. A., Post Office, Horsham; 1 commercial goods vehicle (8 cwt.) to operate—(a) within a radius of 50 miles from the post office at Hamilton—goods solely on behalf of Bramley Leathers Distributors being the said firm's own goods for delivery in the course of its business as "leather merchants", (b) *ex rail* from railway stations at Ararat, Bendigo, Ballarat, Boort, Cohuna, Castlemaine, Chariton, Camperdown, Colac, Dunolly, Dimboola, Echuca, Jeparit, Kerang, Kaniva, Maryborough, Portland, Port Fairy, Murtoa, St. Arnaud and Swan Hill to retailers tributary to such railway stations—leather goods on behalf of Bramley Leathers Distributors as described in paragraph (a) above, (c) as required for the carriage of samples and small quantities of leather to retailers for exchange of stock subject to original supplies having been supplied to such retailers by rail pursuant to paragraph (b) above or for return of unsold stock from such retailers; D.A.45516; 10th February, 1962.
- MAXIGNS PTY. LTD., 59 Nott-street, Port Melbourne; 2 commercial goods vehicles (30 cwt. and 11 cwt.) to operate throughout the State of Victoria for the purposes of installing plastic signs and general advertising matter—tools of trade and materials incidental to such installation; D.A.32130, D.A.32130/1; 24th March, 1962.
- MITCHELL & CO. PTY. LTD., 12-36 Cross-street, West Footscray; 1 commercial goods vehicle (8 cwt.) to operate throughout the State of Victoria in the course of business as "agricultural implement manufacturers" for the purpose of servicing and maintaining tractors and farm machinery having been previously manufactured by the company—tools of trade, spare parts and materials incidental to such servicing and maintenance; D.A.6352; 15th March, 1962.
- MORTIMER, A. S., 360 Auburn-road, Hawthorn; 1 commercial goods vehicle (83 cwt.) to operate—(a) within a radius of 25 miles from the post office situate at the corner of Bourke and Elizabeth streets in the City of Melbourne—general goods, (b) within a radius of 70 miles from the premises of the Co-op. Brick Co. Pty. Ltd., at Auburn—bricks on behalf of the said company; D.A.1634; 15th March, 1962.
- NEW ZEALAND LOAN & MERCANTILE AGENCY CO. LTD., 538 Collins-street, Melbourne; 1 commercial goods vehicle (8 cwt.) to operate—(a) from the railway station at Horsham to places situate within a radius of 50 miles from the said station—shearing and farming machinery and equipment, (b) from Horsham to Sea Lake, Charlton, St. Arnaud, Ararat, Dunkeld, Apsley and to intermediate towns *en route* between Horsham and the aforesaid towns—agricultural and farming goods *ex bulk rail* from Melbourne; D.A.1722/5; 20th March, 1962.
- MANN, M. W., & R. E. MERRETT (trading as Nhill Carrying Company), Box 116, Nhill; 1 commercial goods vehicle (89 cwt.) to operate—(a) within a radius of 20 miles from the post office at Nhill—general goods, (b) within a radius of 50 miles from the post office at Nhill—petroleum products in prescribed types of containers and empty containers; D.A.31886; 17th February, 1962.
- NIVEN, C. J. T., PTY. LTD., cnr. Somerville and Holmwood roads, West Footscray; 1 commercial goods vehicle (10 cwt.) to operate throughout the State of Victoria in connexion with the servicing and maintenance of chain saws, kiln drying units, "Peg" glass washers, "Hotmore" boiling water units—tools of trade, spare

- parts and materials incidental to such servicing and maintenance work, also chain saws for demonstration purposes only; D.A.1731; 20th March, 1962.
- O'DONNELL, P. J., 28 Franklin-place, West Melbourne; 1 commercial goods vehicle (86 cwt.) to operate throughout the State of Victoria for the purpose of repairing or towing disabled or wrecked vehicles—tools, spare parts and materials incidental to trade; D.A.32183; 24th March, 1962.
- ROBUR TEA COMPANY LTD., 28 Clarendon-street, South Melbourne; 1 commercial goods vehicle (130 cwt.) to operate tea, coffee and other foodstuffs only in the course of licensee's business as "tea and foodstuff merchants"—(a) from the Geelong Railway Station to any retail shop within a radius of 50 miles of the said station, (b) from the Camperdown Railway Station to any retail shop within the Town of Camperdown or adjacent thereto, (c) from the Colac Railway Station to any retail shop within the Town of Colac or adjacent thereto, (d) from the Warrnambool Railway Station to any retail shop within the City of Warrnambool or adjacent thereto; D.A.1940/3; 25th March, 1962.
- ROBUR TEA COMPANY LTD., 28 Clarendon-street, South Melbourne; 1 commercial goods vehicle (133 cwt.) to operate tea, coffee and other foodstuffs only in the course of licensee's business as "tea and foodstuff merchants"—(a) from the Bendigo Railway Station to any retail shop within a radius of 50 miles from the said station, (b) from the Swan Hill Railway Station to any retail shop within the Town of Swan Hill or adjacent thereto, (c) from the Echuca Railway Station to any retail shop within the Town of Echuca or adjacent thereto, (d) from the Shepparton Railway Station to any retail shop within the City of Shepparton or adjacent thereto, (e) from the Kerang Railway Station to any retail shop within the Town of Kerang or adjacent thereto; D.A.1940/4; 25th March, 1962.
- ROCHE BROS. PTY. LTD., 22 Dynon-road, South Kensington; 1 commercial goods vehicle (136 cwt.) to operate—(a) throughout the State of Victoria—tools of trade, plant and equipment to be used solely in connexion with contracts entered into by the holders of this licence in the course of business as "earth-moving contractors", (b) earth and other excavated materials from the site of excavation to any place of disposal within a radius of 50 miles of such point of excavation, (c) within a radius of 20 miles from the site of any construction or maintenance work performed pursuant to paragraph (a) above, or from the railway station nearest thereto—any other materials required for such work; D.A.1941/26; 20th March, 1962.
- RUSSELL, A. J., 388 Elgar-road, Box Hill; 2 commercial goods vehicles (95 and 112 cwt.) to operate—(a) within a radius of 25 miles from the post office situate at the corner of Bourke and Elizabeth streets, in the City of Melbourne—general goods, (b) within a radius of 70 miles from the premises of the Standard Brickworks Pty. Ltd. at Box Hill—bricks on behalf of the said company; D.A.1961/1, D.A.1961/2; 27th March, 1962.
- SAGASSER, F. O., Sharp-street, Beulah; 1 commercial goods vehicle (87 cwt.) to operate—(a) within a radius of 80 miles of the post office at Dimboola (Horsham Division of the Country Roads Board)—plant the property of a contractor and required for use in connexion with the construction or maintenance of some specific, existing or proposed road, street, footpath, bridge, wharf, pier, weir or channel, (b) within a radius of 20 miles from site of construction or maintenance work performed pursuant to paragraph (a) above, or from the railway station nearest thereto—metal, stones, screenings, ashes, gravel, sand, earth and any other materials required for such work, (c) within a radius of 20 miles of the post office at Beulah—general goods; D.A.30720; 9th September, 1961.
- SHERLOCK & HAY PTY. LTD., 81 Young-street, Frankston; 1 commercial goods vehicle (106 cwt.) to operate within a radius of 25 miles from the post office at Frankston in the course of licensee's business as "timber and hardware merchants and suppliers of all building requirements"—own goods; D.A.4902/1; 3rd March, 1962.
- TICKNELL, D. B., Post Office, Box 77, Frankston; 1 commercial goods vehicle (69 cwt.) to operate—(a) within a radius of 50 miles from the post office at Frankston in the course of licensee's business as "building contractor"—own goods, (b) within a radius of 100 miles from the post office at Frankston in the course of licensee's business as "builder and renovator" on behalf of the Public Works Department—tools of trade, gear and equipment and incidental maintenance materials for use on licensee's own contracts; D.A.2166; 27th March, 1962.
- TRIPCONY, J. D., Pompapiel, via Dingee; 1 commercial goods vehicle (40 cwt.) to operate throughout the State of Victoria—tools of trade and equipment required by the holder of this licence in the course of business as "hay baler and fencer"; D.A.31888; 17th February, 1962.
- VICTORIAN INDUSTRIAL SALES & SERVICE PTY. LTD., cnr. Power and Kavanagh streets, South Melbourne; 1 commercial goods vehicle (17 cwt.) to operate throughout the State of Victoria—tools of trade, spare parts and materials incidental to the servicing and maintenance of tractors and allied equipment; D.A.2205/6; 24th March, 1962.
- WARDEN, L. A. & S. B., 36 Wimmera-street, Stawell; 1 commercial goods vehicle (12 cwt.) to operate within a radius of 50 miles from the post office at Stawell in the course of licensee's business as "dry cleaners"—articles for dry cleaning or having been cleaned; D.A.4250/1; 15th February, 1962.
- WHITE, R., PTY. LTD., 69 Cromwell-street, Collingwood; 1 commercial goods vehicle (16 cwt.) to operate—(a) within a radius of 50 miles from the premises of the holders of this licence at Collingwood—own goods in the course of their business as "footwear distributors", (b) window-dressing material and shoes for exhibition purposes only from Ballarat and Melbourne to licensee's branch stores at Shepparton, Kerang, Mildura, Hopetoun, Warracknabeal, Horsham, Hamilton, Warrnambool, Colac, Geelong, Castlemaine, Maryborough, Bendigo and Kyneton; D.A.31652; 20th January, 1962.

NOTICE is hereby given that the applications made by the persons named below for licences to operate the commercial goods vehicles on the route or routes, or in the manner set out opposite their names, will be held at a time and place to be communicated to the persons concerned:—

Name and Address; Nature of Application.

- ADAMS, HERBERT, PTY. LTD., Bosisto-street, Richmond; 1 commercial goods vehicle (43 cwt.) to operate—(a) within a radius of 50 miles of own premises at Richmond, in course of business as "cake manufacturers"—own goods, (b) from Melbourne to Ballarat and places *en route*—own unpacked, cream filled sponges, merangues, jam filled shortbreads, fancy cakes, decorated wedding and birthday cakes.
- ALBION QUARRYING CO. PTY. LTD., corner Arden and Laurens streets, North Melbourne; 1 commercial goods vehicle (525 cwt.) to operate in the course of business as "quarrymasters and road-making contractors"—(a) throughout the State of Victoria—tar in bulk from country gas works to own distilleries situated in the Cities of Melbourne and Geelong, (b) from and to the City of Melbourne to and from the City of Geelong—own bulk tar, (c) throughout the State of Victoria as a low loader—own tools of trade, road-making plant and equipment.
- ALLISON, N. S. (trading as Allison's Auto Service), Upper Main-street, Stawell; 1 commercial goods vehicle (12 cwt.) to operate—(a) within a radius of 20 miles of post office at Stawell in course of business as "garage proprietor"—own goods, (b) throughout the State of Victoria as a tow truck for the purpose of repairing or towing disabled or wrecked vehicles—tools of trade, spare parts and materials incidental thereto.
- ANDERSON, H. C., 60 Gore-street, Warwick, Queensland; 1 commercial goods vehicle (17 cwt.) to operate throughout the State of Victoria in the course of business as "travelling showman"—tools of trade, showman's equipment and novelty prizes.
- AUSTRALIAN MOTOR INDUSTRIES LTD., 559-573 Elizabeth-street, Melbourne; 1 commercial goods vehicle (10 cwt.) to operate throughout the State of Victoria in the course of business as "tractor and implement importers and distributors"—(a) tools of trade, spare parts and materials incidental to the servicing and maintenance of tractors and implements, (b) implements and accessories for demonstration purposes only with the ability to make an urgent incidental delivery.
- BAENSCH, E. J., 7 Hammell-street, Donald; application to vary the conditions of existing licence No. T.D.5134 by adding as paragraphs (c) and (d):—(c) within a radius of 50 miles of post office at Donald in the course of business as a "paving and concreting contractor"—gravel for use in connexion with own contracts, (d) within a radius of 50 miles from own depot at Donald as an agent for Neptune Oil Co. Pty. Ltd.—petroleum products in prescribed types of containers and empty return containers.

- BENDIGO PRESERVING CO. LTD.**, Garsed-street, Bendigo; 1 commercial goods vehicle (123 cwt.) to operate within a radius of 50 miles from the chief post office in the City of Bendigo and to and from the townships of Tatura, Murchison, Kyabram and the City of Shepparton, in the course of business as "manufacturers of jams, canned fruit and condiments"—own manufactured products.
- BEST, R.**, Minor-street, Echuca; 1 commercial goods vehicle (91 cwt.) to operate—(a) within a radius of 20 miles of post office at Echuca—general goods, (b) from the Ampol Petroleum Ltd. depot at Shepparton to own depot at Echuca—petroleum products in prescribed types of containers and empty return containers.
- BLAKE, R. L.**, Cobden; 1 commercial goods vehicle (360 cwt.) to operate—(a) within a radius of 20 miles of post office at Cobden—general goods, (b) within a radius of 130 miles of post office at Cobden in the course of business as "earth-moving, dam-sinking and road-making contractor—tools of trade and own earth-moving equipment incidental to own contracts.
- BUCK, S. J.**, 235 Lygon-street, Carlton; 1 commercial goods vehicle (44 cwt.) to operate—(a) within a radius of 25 miles of G.P.O., Melbourne—general goods, (b) within a radius of 50 miles of G.P.O., Melbourne—second-hand household furniture.
- CATTO, C. R.**, Heales-street, Inglewood; 1 commercial goods vehicle (45 cwt.) to operate in the course of business as "building contractor, hardware merchant, and primary producer"—(a) within a radius of 50 miles of the post office at Inglewood—own goods, (b) from the Atlantic Union Oil Co. Pty. Ltd. depot at Bendigo to own depot at Inglewood, and from own depot at Inglewood to places within a radius of 30 miles—petroleum products in prescribed types of containers and empty return containers.
- CAMERON, B. M.**, Scarborough-street, Inverloch; 1 commercial goods vehicle (98 cwt.) to operate—(a) within a radius of 100 miles of the post office at Inverloch—plant the property of a contractor and required for use in connexion with the construction or maintenance of some specific, existing or proposed road, street, footpath, bridge, wharf, pier, weir or channel, (b) within a radius of 20 miles from site of construction or maintenance work performed pursuant to paragraph (a) above, or from the railway station nearest thereto—metal, stones, screenings, ashes, gravel, sand, earth and any other materials required for such work, (c) within a radius of 20 miles of the post office at Inverloch—general goods.
- CARDELL, A. J.**, Elaine; 1 commercial goods vehicle (101 cwt.) to operate—(a) within a radius of 10 miles from the post office at Elaine—general goods, (b) from and to places situated within the radius defined in paragraph (a) above, to and from the Cities of Ballarat and Geelong—general goods subject to the condition that no goods whatsoever consigned from Geelong shall be carried to Ballarat and no goods whatsoever consigned from Ballarat shall be carried to Geelong or from or to any places situated within the urban districts of the said cities, (c) from and to places situated within a radius of 20 miles of Elaine to and from the Cities of Ballarat and Geelong—livestock.
- COHN'S (BENDIGO) PRY. LTD.**, 172 Bridge-street, Bendigo; 1 commercial goods vehicle (99 cwt.) to operate in the course of business as "aerated waters, &c., sauces, &c., manufacturers, wines and spirits merchants" for the carriage of own goods in the following areas:—(a) Within a radius of 50 miles of own factory at Bendigo, (b) from and to own factory at Bendigo to and from—(i) the Townships of Kyabram, Merrigum, Tatura, Mooropna and Shepparton, (ii) places on the road between the Townships of Charlton, Wycheproof, St. Arnaud, Donald and the City of Ballarat.
- CRAWFORD, I. J. & Co.**, 7 Drevermann-street, Bairnsdale; 1 commercial goods vehicle (15 cwt.) to operate in the area east of a north/south line drawn through Stratford for the carriage of tools of trade and spare parts incidental to the servicing of farm machinery in the course of business as "farm machinery—sales and service".
- CROWE, I. W. & N. J.**, care of Pow's Sawmill, Cabbage Tree; application to vary the conditions of existing licence No. T.T.D.1662, by deleting present conditions and adding in lieu: "Logs from forest landings in Bemm River area to sawmills at Newmerella".
- CUMMINS, J. P.**, Wycheproof; 1 commercial goods vehicle (94 cwt.) to operate—(a) within a radius of 20 miles of post office at Wycheproof—general goods, (b) from the Vacuum Oil Co. Pty. Ltd. depot at Donald to places within paragraph (a)—petroleum products in prescribed types of containers and empty return containers.
- DE BAERE, ALEXANDER & DON**, Box 114, Hopetoun; three commercial goods vehicles (103, 99 and 96 cwt.) to operate—(a) within a radius of 50 miles from the post office at Hopetoun—plant the property of a contractor and required by him for use in connexion with the construction or maintenance of some specific, existing or proposed road, street, footpath, bridge, pier, wharf, weir or channel, and also the following materials, viz., metal, stones, screenings, ashes, gravel, sand and earth, (b) within a radius of 20 miles from the site of any construction or maintenance work performed pursuant to paragraph (a) above, or from the railway station nearest thereto—any other materials required for such work, (c) within a radius of 20 miles from the post office at Hopetoun—general goods excluding any plant or materials carried or to be carried pursuant to paragraphs (a) and (b) above.
- DEHNE, G. W.**, Dinglee; 1 commercial goods vehicle (108 cwt.) to operate—(a) within a radius of 95 miles of the post office at Cohuna and within a radius of 100 miles of the post office at Merbein (Bendigo Division of the Country Roads Board)—plant the property of a contractor and required for use in connexion with the construction or maintenance of some specific, existing or proposed road, street, footpath, bridge, wharf, pier, weir or channel, (b) within a radius of 20 miles from site of construction or maintenance work performed pursuant to paragraph (a) above, or from the railway station nearest thereto—metal, stones, screenings, ashes, gravel, sand, earth and any other materials required for such work, (c) within a radius of 20 miles from the post office at Dinglee—general goods.
- DEVLIN, S.**, 46 Mt. Pleasant-road, Belmont, Geelong; 1 commercial goods vehicle (60 cwt.) to operate throughout the State of Victoria—tools of trade, spare parts, boring equipment and casing incidental to own water boring contracts and the installation and maintenance of windmills.
- DOMINQUEZ, W. C. & J. T.** (trading as Dominquez Bros.), 25 Loco-street, Seymour; 1 commercial goods vehicle (133 cwt.) to operate—(a) within a radius of 20 miles of the post office at Seymour—general goods, (b) within a radius of 60 miles from own pit at Seymour in the course of business as "gravel contractors"—gravel and sand.
- DWYER, J. E.**, Margaret-street, Edenhope; application to vary the conditions of existing licence No. D.A.44734 by adding as paragraph (d): "(d) from and to places within paragraph (a) to and from places within a radius of 50 miles of the post office at Edenhope and to and from Horsham—livestock".
- FEIGLIN, M., & SONS PTY. LTD.**, Station-street, Nunawading; 1 commercial goods vehicle (60 cwt.) to operate—(a) within a radius of 50 miles from own premises at Nunawading—own goods in the course of business as "timber merchants and Sawmillers and orchardists", (b) throughout the State of Victoria—tools of trade and spare parts incidental to the servicing only of own vehicles and equipment in the course of business as "timber merchants, sawmillers and orchardists".
- FREGON, L. D., and J. A. GARDINER** (trading as Fregon and Gardiner), Post Office, Box 9, Oakleigh; 1 commercial goods vehicle (174 cwt.) to operate within a radius of 70 miles of the premises of the New Gamble Brick and Quarrying Co. Pty. Ltd. at Oakleigh—bricks on behalf of the said company.
- GEELONG PLASTER MILLS PTY. LTD.**, Separation-street, North Geelong; 1 commercial goods vehicle (106 cwt.) to operate in the course of business as "plaster millers" between Mildura and own mine at Hattah—own mining machinery and spare parts.
- GENAT, R. N. & S. J.**, Davison-street, Leongatha; 1 commercial goods vehicle (77 cwt.) to operate—(a) within a radius of 20 miles of the post office at Leongatha—general goods, (b) from and to places situate within the radius as defined in paragraph (a) above and from places situate within a radius of 50 miles from the post office at Leongatha—household furniture, being the property or personal effects of a householder or of a member of his family when such goods are being moved—(i) from residence to residence, (ii) from residence for storage or sale, (iii) from storage to residence, (iv) from a vendor to the residence of the purchaser, (c) within a radius of 50 miles from B.P. Petroleum Ltd. Depot at Leongatha—petroleum products in prescribed types of containers and empty containers.
- GENERAL MOTORS-HOLDEN'S PTY. LTD.**, Princes Highway, Dandenong; 2 commercial goods vehicles (10 cwt. each) to operate within a radius of 50 miles of own branch premises at Dandenong in the course of business as "motor vehicle parts and domestic appliance manufacturers"—own goods.

- GERRARD WIRE TYING MACHINES CO. PTY. LTD., 18-24 Ireland-street, West Melbourne; 1 commercial goods vehicle (11 cwt.) to operate throughout the State of Victoria—tools of trade, spare parts and materials incidental to the servicing and maintenance of wire-tying machines.
- HARVEY, T. J. & C. L., & S. L. J. & E. D. SUTTON (trading as Gippsland Pole Supply, 337 Maid-street, Bairnsdale; 1 commercial goods vehicle (130 cwt.) to operate within a radius of 50 miles of the post office at Orbost in the course of business as "pole contractors"—tools of trade and equipment, but excluding the carriage of poles.
- GIPPSLAND TIMBER & SALVAGE CO., 16 Langford-street, Moe; 1 commercial goods vehicle (approximately 220 cwt.) to operate—(a) within a radius of 20 miles of the post office at Moe—general goods, (b) throughout the State of Victoria in the course of business as "marine collector"—marine goods as designated in the *Marine Stores and Old Metals Act 1958*, No. 6303, Part 1, paragraph (3), but excluding the carriage of any such goods to wharves, docks or ships for shipment or export purposes.
- HANSEN, J. S. & E. L., Weeragua; application to vary the conditions of existing licence No. D.A.42484/1 by adding to paragraph (a): "and from Cann River to Weeragua.
- HENDERSON, J. S., 1 Violet-court, Blackburn; 1 commercial goods vehicle (98 cwt.) to operate—(a) within a radius of 25 miles of the G.P.O., Melbourne—general goods, (b) within a radius of 70 miles of the City Brick Works Co. Pty. Ltd. at Malvern, solely on behalf of the said company—bricks.
- HENDERSON, P. A., Mt. Egerton; 1 commercial goods vehicle (140 cwt.) to operate—(a) within a radius of 20 miles of the post office at Mt. Egerton—general goods, (b) from and to places situated within a radius of 50 miles of the post office at Mt. Egerton to and from places within paragraph (a)—livestock.
- INTERNATIONAL HARVESTER CO. OF AUST. PTY. LTD., North Shore, Geelong; 1 commercial goods vehicle (59 cwt.) to operate throughout the State of Victoria in the course of business as "tractor and implement manufacturers and distributors" for the purpose of demonstration and servicing, implements and accessories for demonstration purposes only, tools of trade, spare parts and materials incidental to the repair and servicing of experimental tractors, implements and farm machinery.
- JOHNSON, W. G., 79 Bernard-street, Cheltenham; 1 commercial goods vehicle (249 cwt.) to operate as a low loader—(a) throughout the State of Victoria in the course of business as an "earth-moving contractor"—tools of trade, earth-moving equipment and a small quantity of fuel incidental to each particular contract, (b) within a radius of 25 miles of the G.P.O., Melbourne—tools of trade and earth-moving equipment on behalf of other contractors.
- JONES, D. W., PTY. LTD., 126 Cecil-street, Williamstown; 1 commercial goods vehicle (114 cwt.) to operate—(a) within a radius of 25 miles of the G.P.O., Melbourne—general goods, (b) within a radius of 50 miles of the G.P.O., Melbourne, on behalf of Shell Co. of Aust. Pty. Ltd.—petroleum products and empty return containers.
- KELLY, G., Parker-street, Dunkeld; 1 commercial goods vehicle (130 cwt.) to operate—(a) within a radius of 75 miles of the post office at Peshurst (Warrnambool Division of the Country Roads Board)—plant the property of a contractor and required for use in connexion with the construction or maintenance of some specific, existing or proposed road, street, footpath, bridge, wharf, pier, weir or channel, (b) within a radius of 20 miles from the site of construction or maintenance work performed pursuant to paragraph (a) above, or from the railway station nearest thereto—metal, stones, screenings, ashes, gravel, sand, earth and any other materials required for such work, (c) within a radius of 20 miles of the post office at Dunkeld—general goods.
- KELLY, V. (trading as Kelly's Tyre Service), Wellington-street, Kerang; 1 commercial goods vehicle (10 cwt.) to operate within a radius of 50 miles of the post office at Kerang in the course of business as "tire retreaders and distributors"—new and second-hand tires and tubes, tires for retreading or having been retreaded and batteries.
- KREGLINGER (AUST.) PTY. LTD., 530 Collins-street, Melbourne; 1 commercial goods vehicle (56 cwt.) to operate within a radius of 50 miles of own branch premises at Echuca in the course of business as "hides and skins, tallow and wool buyers"—own goods.
- LYNAS, H. A. & L. M., Box 52, Nyah West, Vic.; 1 commercial goods vehicle (107 cwt.) to operate in the course of business as "farmer, wood merchant and general carrier"—(a) within a radius of 20 miles of the post office at Nyah West—general goods, (b) within a radius of 50 miles of the post office at Nyah West—own firewood and fencing posts.
- MALVERN STAR STORES PTY. LTD., 252 Mitchell-street, Bendigo; 1 commercial goods vehicle (10 cwt.) to operate within a radius of 75 miles from the chief post office in the City of Bendigo in the course of business as "electrical retailers"—tools of trade, spare parts and materials incidental to the demonstration, installation and servicing of cycles and electrical appliances, washing machines, refrigerators and electrical fittings, also second-hand trade-in appliances for return to Bendigo.
- MARTIN, W., 8 Morrell-street, Wangaratta; 1 commercial goods vehicle (approximately 120 cwt.) to operate—(a) within a radius of 90 miles of the post office at Wangaratta (Benalla Division of the Country Roads Board)—plant the property of a contractor and required for use in connexion with the construction or maintenance of some specific, existing or proposed road, street, footpath, bridge, wharf, pier, weir or channel, (b) within a radius of 20 miles from site of construction or maintenance work performed pursuant to paragraph (a) above, or from the railway station nearest thereto—metal, stones, screenings, ashes, gravel, sand, earth, and any other materials required for such work, (c) within a radius of 20 miles of the post office at Wangaratta—general goods.
- MORTIMER, D. A. G. & N. J., High-street, Drysdale; 1 commercial goods vehicle (40 cwt.) to operate throughout the State of Victoria for the purpose of operating the vehicle as a mobile crane.
- MC EWAN, W. H., 129 Lily-street, Bendigo; 1 commercial goods vehicle (15 cwt.) to operate within a radius of 75 miles of the chief post office at Bendigo in the course of business as "salesman and serviceman" solely on behalf of Malvern Star Stores Pty. Ltd.—tools of trade, spare parts and materials incidental to the demonstration, installation and servicing of cycles and electrical appliances, washing machines, refrigerators and electrical fittings, also trade-in appliances for return to Bendigo.
- McKINNON, C. J. & A. W. (trading as McKinnon Bros.), Omeo; 1 commercial goods vehicle (560 cwt. low loader) to operate—(a) within the Shires of Rosedale, Alberton, Avon, Maffra, Bairnsdale, Tambo, Omeo and Orbost—plant the property of a contractor and required by him for use in connexion with the construction or maintenance of some specific, existing or proposed road, street, footpath, bridge, pier, wharf, weir or channel, and also the following materials, viz., metal, stones, screenings, ashes, gravel, sand and earth, (b) within a radius of 20 miles from the site of any construction or maintenance work performed pursuant to paragraph (a) above, or from the railway station nearest thereto—any other materials required for such work.
- NEAVE, L. & B. M., 39 Hickox-street, Traralgon; 1 commercial goods vehicle (160 cwt.) to operate—(a) within a radius of 70 miles from Rocla Pipes Ltd., at Traralgon solely on behalf of Rocla Pipes Ltd.—cement pipes, (b) within a radius of 20 miles of post office at Traralgon—general goods.
- NICHOLAS, W. K., R.M.B. 623, Tumberumba; 1 commercial goods vehicle (approximately 100 cwt.) to operate within a radius of 30 miles of post office at Corryong—road-contracting plant and materials.
- PARSONS, W. G. M., 310 Beveridge-street, Swan Hill; 1 commercial goods vehicle (122 cwt.) to operate—(a) within a radius of 50 miles from the post office at Swan Hill—plant the property of a contractor and required by him for use in connexion with the construction or maintenance of some specific, existing or proposed road, street, footpath, bridge, pier, wharf, weir or channel and also the following materials, viz., metal, stones, screenings, ashes, gravel, sand and earth, (b) within a radius of 20 miles from the site of any construction or maintenance work performed pursuant to paragraph (a) above, or from the railway station nearest thereto—any other materials required for such work, (c) within a radius of 20 miles from the post office at Swan Hill—general goods excluding any plant or materials carried or to be carried pursuant to paragraph (a) and (b) above.
- PRESLEY, H. L., A. R., & B. G., Post Office Box 40, Elmore; 1 commercial goods vehicle (122 cwt.) to operate—(a) within a radius of 20 miles of the post office at

- Elmore—general goods, (b) from and to places within a radius of 50 miles of post office at Elmore to and from places situated within paragraph (a) livestock.
- RALPH, L. L.,** Spearing-street, Wangaratta; 1 commercial goods vehicle (124 cwt.) to operate—(a) within a radius of 20 miles of the post office at Wangaratta—general goods, (b) within a radius of 50 miles of own depot at Wangaratta and from the Ampol Petroleum Ltd. depot at Shepparton to the aforesaid depot—petroleum products in prescribed types of containers and empty return containers.
- RISELEY, A. A.,** 4 John-street, Moe; 2 commercial goods vehicles (205 and 143 cwt.) to operate—(a) within the Shire of Morwell—plant the property of a contractor and required by him for use in connexion with the construction or maintenance of some specific, existing or proposed road, street, footpath, bridge, pier, wharf, weir or channel and also the following materials, viz., metal, stones, screenings, ashes, gravel, sand and earth, (b) within a radius of 20 miles from the site of any construction or maintenance work performed pursuant to paragraph (a) above, or from the railway station nearest thereto—any other materials required for such work, (c) within a radius of 20 miles from the post office at Moe—general goods excluding any plant or materials carried or to be carried pursuant to paragraphs (a) and (b) above.
- SANDHURST CIGARETTE DISTRIBUTORS PTY. LTD.,** 348 McCrae-street, Bendigo; 1 commercial goods vehicle (8 cwt.) to operate from own premises in the City of Bendigo to places situate within an area bounded by and including the Townships of Echuca, Cohuna, Boort, Charlton, Maryborough, Woodend and the Calder Highway between Woodend and Bendigo, in the course of business as “wholesale distributors”—cigarettes, tobacco, peanuts and potato chips. *Note.*—All goods carried are to be initially railed to Bendigo.
- SCHWEIKERT, V. D.,** 17 Muir-avenue, Kerang; application to vary the conditions of existing licence No. D.A.45018 by deleting present conditions and adding in lieu: (a) within a radius of 100 miles from the post office at Kerang—plant the property of a contractor and required by him for use in connexion with the construction or maintenance of some specific, existing or proposed road, street, footpath, bridge, pier, wharf, weir or channel and also the following materials, viz., metal, stones, screenings, ashes, gravel, sand and earth, (b) within a radius of 20 miles from the site of any construction or maintenance work performed pursuant to paragraph (a) above, or from the railway station nearest thereto—any other materials required for such work, (c) within a radius of 20 miles from the post office at Kerang—general goods excluding any plant or materials carried or to be carried pursuant to paragraphs (a) and (b) above.
- SEGAL MOTORS,** 1A Park-street, Elsternwick; 1 commercial goods vehicle (71 cwt.) to operate throughout the State of Victoria for the purpose of towing and/or repairing wrecked and disabled vehicles—tools of trade, spare parts and materials incidental thereto.
- SHKODRAMI, K.,** 36 Raymond-street, Sale; application to vary the conditions of existing licence No. D.A.23761/1 by deleting “Throughout the Shires of Narracan, Bairnsdale, Orbost and Omeo” and adding in lieu “Within the area east of a north/south line drawn through the City of Dandenong”.
- SIDES, W. L., & SON PTY. LTD.,** 422 Collins-street, Melbourne; 1 commercial goods vehicle (103 cwt.) to operate throughout the State of Victoria in the course of business as “boring contractor”—tools of trade, own boring equipment, drilling machines and materials incidental to own contracts.
- SMITH, D. G. T.,** Baddaginnie; 2 commercial goods vehicles (104 and 112 cwt.) to operate—(a) within a radius of 20 miles of post office at Baddaginnie—general goods, (b) from and to places within a radius of 50 miles of post office at Baddaginnie, to and from places within paragraph (a) above—livestock, (c) within a radius of 60 miles of post office at Baddaginnie to farm agents and spreading sites from the nearest railway station or railway siding thereto—bulk superphosphate.
- SMYTH, D., & SON (SALES) PTY. LTD.,** 13-15 St. Andrews-avenue, Bendigo; 1 commercial goods vehicle (28 cwt.) to operate throughout the State of Victoria but excluding the carriage of goods from Melbourne to Bendigo in course of business as “air conditioning and hot-water engineers”—tools of trade, equipment, spare parts and duct work incidental to the completion of own contracts.
- SMYTH, D., & SON (SALES) PTY. LTD.,** 13-15 St. Andrews-avenue, Bendigo; 8 commercial goods vehicles (11, 11, 11, 17, 12, 11, 11 and 12 cwt.) to operate throughout the State of Victoria, but excluding the carriage of goods from Melbourne to Bendigo in the course of business as “air conditioning and hot-water engineers” for the purpose of supervising and servicing own contracts—tools of trade, equipment, spare parts and a small quantity of materials incidental to the repair or completion of a contract.
- SPITTY, K. I.,** 33 Curlew-crescent, Norlane; 2 commercial goods vehicles (100 cwt. each) to operate—(a) within a radius of 25 miles of the chief post office at Geelong—goods on behalf of Tarax Drinks Pty. Ltd., (b) aerated waters and empty return containers from and to premises of Tarax Drinks Pty. Ltd. at North Geelong to and from the following places:—(i) The Townships of Lorne, via the Great Ocean-road, serving places *en route*, (ii) the City of Colac, via Princes Highway and Birregurra, serving places *en route*, (iii) the City of Ballarat, via Bacchus Marsh and Ballan, serving places *en route*, (iv) the Township of Derrinalum, via Cressy, serving places *en route*.
- SUTTONS PTY. LTD.,** 105 Elizabeth-street, Melbourne; 1 commercial goods vehicle (17 cwt.) to operate—(a) within a radius of 50 miles of own premises in the City of Melbourne in the course of business as “music and radio warehousemen”—own goods, (b) throughout the State of Victoria for the purpose of demonstrating, servicing and repairing organs and musical instruments in the course of business as aforesaid, pianos, organs and musical instruments for demonstration, repair, or having been repaired, also tools of trade, spare parts and small quantities of materials incidental thereto.
- SVANOSIO, N. L. & J. A.,** 83 Neale-street, Bendigo; 1 commercial goods vehicle (128 cwt.) to operate—(a) within a radius of 95 miles of the post office at Cohuna and within a radius of 100 miles of the post office at Merbein (Bendigo Division of the Country Roads Board)—plant the property of a contractor and required for use in connexion with the construction or maintenance of some specific, existing or proposed road, street, footpath, bridge, wharf, pier, weir or channel, (b) within a radius of 20 miles from site of construction or maintenance work performed pursuant to paragraph (a) above, or from the railway station nearest thereto—metal, stones, screenings, ashes, gravel, sand, earth and any other materials required for such work, (c) within a radius of 25 miles of the post office at Bendigo—general goods.
- TAYLOR, F. C.,** High-street, Harcourt; 1 commercial goods vehicle (61 cwt.) to operate—(a) throughout the State of Victoria in the course of business as “apiarist” for the carriage of bee hives and extracting equipment, (b) throughout the State of Victoria under contract to the Country Roads Board and municipal shires in the course of trade as “bridge building contractor”—tools of trade.
- VEASPIR, J.,** 32 Kidgell-street, Lilydale; 1 commercial goods vehicle (98 cwt.) to operate—(a) within a radius of 70 miles of the post office at Healesville (Dandenong Division of the Country Roads Board)—plant the property of a contractor and required for use in connexion with the construction or maintenance of some specific, existing or proposed road, street, footpath, bridge, wharf, pier, weir or channel, (b) within a radius of 20 miles from site of construction or maintenance work performed pursuant to paragraph (a) above, or from the railway station nearest thereto—metal, stones, screenings, ashes, gravel, sand, earth and any other materials required for such work, (c) within a radius of 20 miles of the post office at Lilydale—general goods.
- W. & M. TOWING SERVICE,** 54 Clara-street, South Yarra; 1 commercial goods vehicle (41 cwt.) to operate throughout the State of Victoria for the purpose of towing or repairing wrecked, disabled or repossessed vehicles—tools of trade, equipment and materials incidental thereto.
- WICKERS, R. R., PTY. LTD.,** 644 Victoria-street, North Melbourne; 1 commercial goods vehicle (10 cwt.) to operate throughout the State of Victoria in the course of business as “refrigeration engineers”—refrigerators for installation, also tools of trade, spare parts and materials incidental to the installation and maintenance of such refrigerators.

Notice of any objection should be forwarded to reach the Secretary of the Board not later than Wednesday, 3rd January, 1962.

B. P. KAY,
Secretary.

Exhibition Buildings, Rathdowne-street, Carlton, N.3,
20th December, 1961.

Motor Boating Act 1961
TRANSPORT REGULATION BOARD.

NOTICE No. 1.

Notice to Owners of Motor Boats Required to be Registered Under the Above Act.

TAKE notice that the Board has appointed its Head Office, Exhibition Buildings, Carlton, N.3, as the sole registration office at this time for the purposes of the registration of Motor Boats, pursuant to Part II, of the above Act.

Forms of application for such registration are obtainable by personal, telephone or written request to the Board's Head Office as above (Telephone No. 34 2605) or to any one of the Board's Regional Offices as under:—

Bairnsdale (Telephone 581),
Ballarat (Telephone 91951),
Bendigo (Telephone 30387),
Euroa (Telephone 295),
Geelong (Telephone X-6151),
Hamilton (Telephone 252),
Horsham (Telephone 18),
Mildura (Telephone 659),
Morwell (Telephone 2762),
Shepparton (Telephone 2921),
Warrnambool (Telephone 2028),
Wodonga (Telephone 300).

By order of the Transport Regulation Board,

B. P. KAY,
Secretary.

Transport Regulation Act.
TRANSPORT REGULATION BOARD.
NOTICE No. 61.

Drivers' Certificates—Exhibition by Drivers in Certain Commercial Passenger Vehicles.

TAKE notice that, pursuant to powers conferred on the Board by the provisions of Regulations 1A and 1B of Part III, of the Transport Consolidated Regulations 1960, the Board hereby requires, in accordance with the provisions of Regulation 5 of Part I. of the said Regulations, that the persons specified herein shall comply, as the case may be, with the following provisions:—

(1) TO OWNERS OF VEHICLES CLASSIFIED AS METROPOLITAN TAXI-CABS AND PRIVATE HIRE CARS:

As from 1st January, 1962, the Board requires that the owner of each such vehicle shall fit or cause to be fitted therein a metal framed certificate container located and mounted on or in relationship to the dashboard or elsewhere inside the front of the vehicle as may be approved by the Board.

(2) TO DRIVERS OF VEHICLES CLASSIFIED AS METROPOLITAN TAXI-CABS AND PRIVATE HIRE CARS:

As from the date of issue of a driver's certificate which contains a photograph of the holder thereof, such driver shall exhibit such certificate in the certificate container fitted in the vehicle, at all times while he is in charge thereof, folded so as to reveal the stamped certificate serial number of such certificate and the related photograph.

By order of the Transport Regulation Board,

B. P. KAY,
Secretary.

STATE RIVERS AND WATER SUPPLY COMMISSION.
BY-LAW No. 5378 REVOKING BY-LAW No. 5354 AND FIXING CHARGES FOR WATER SUPPLIED FROM THE COLIBAN SYSTEM OF WATERWORKS.

THE State Rivers and Water Supply Commission, in pursuance and exercise of the powers conferred by the Water Acts, doth hereby make the By-law following for the district supplied with water from the Coliban System of Waterworks:—

1. By-law No. 5354 made by the Commission on the 26th day of June, 1961, is hereby revoked as from the 1st day of January, 1962.

2. The charge to be paid for water supplied by measure from the pipes of the Commission after the 1st day of January, 1962, shall, except in cases of special agreement with the Commission and in the cases hereinafter specially mentioned, be Two shillings per 1,000 gallons.

3. The maximum allowance of water to be supplied per annum without further charge to any properties rated by the Commission shall be the quantity which, if charged for at Two shillings per 1,000 gallons, would give an amount equal to that payable per annum in respect of the property so supplied under the provisions of any

By-law of the Commission for making and levying rates, and for all water supplied in excess of such allowance the charge shall be Two shillings per 1,000 gallons.

4. The maximum allowance of water to be supplied per annum without further charge to any property for which a minimum annual charge has been fixed by the Commission shall be the quantity which, if charged for at Two shillings per 1,000 gallons, would give an amount equal to such minimum annual charge, and for all water supplied in excess of such allowance the charge shall be Two shillings per 1,000 gallons.

5. The charge to be paid for water supplied from the channels of the Commission shall be One and one-half pence per 1,000 gallons, except in the cases hereinafter mentioned—

- (a) For sluice mining, except for purposes directly connected with machinery in motion, One penny per 1,000 gallons.
- (b) For steam boilers, condensers, air compressors and machinery for manufacturing purposes, Six pence per 1,000 gallons.
- (c) For municipal baths and public baths—managed by Trustees or Committees.

Population.	Free Annual Allowance.
Under 400 ..	135,000 gallons.
400 to 1,000 ..	270,000 gallons.
1,000 to 10,000	270,000 gallons for each 1,000 of population (to nearest 1,000).
Over 10,000 ..	2,700,000 gallons plus 540,000 gallons for each 5,000 of population in excess of 10,000 (to nearest 5,000).

Water used in excess of the free annual allowance to be charged for at one and one-half pence per 1,000 gallons.

(d) For school baths:—

(i) State Schools.

Number of Pupils.	Free Annual Allowance.
Up to 100 ..	135,000 gallons.
Over 100 ..	135,000 gallons for each 100 pupils (to nearest 100).

Water used in excess of the free annual allowance to be charged for at one and one-half pence per 1,000 gallons.

(ii) Schools other than State Schools.

Number of Pupils.	Annual Allowance at One-quarter the District Charge of One and One-half Pence per 1,000 Gallons.
Up to 100 ..	135,000 gallons.
Over 100 ..	135,000 gallons for each 100 pupils (to nearest 100).

Water used in excess of annual allowance to be charged for at one and one-half pence per 1,000 gallons.

(e) Churches.

Free annual allowance of 67,500 gallons. Water used in excess of free annual allowance to be charged for at one and one-half pence per 1,000 gallons.

(f) Parks, Gardens, Sporting and Recreation Grounds.

(i) Public Parks, Gardens, Street Trees and Plantations.

The area covered shall be assessed by the Commission's District Engineer to the nearest one-quarter acre and the minimum annual charge shall be determined on that area on the basis of £1 per acre; provided that the minimum annual charge shall in no case be less than £1.

Water to be supplied at one-quarter the district charge of one and one-half pence per 1,000 gallons up to the amount of the minimum annual charge; excess water to be charged at one and one-half pence per 1,000 gallons.

(ii) Recreation Grounds.

The playing area shall be assessed by the Commission's District Engineer to the nearest one-quarter acre and the minimum annual charge shall be determined on that area on the basis of £1 per acre; provided that the minimum annual charge shall in no case be less than £1.

Water to be supplied at one-half the district charge of one and one-half pence per 1,000 gallons up to the amount of the minimum annual charge; excess water to be charged at one and one-half pence per 1,000 gallons.

- (g) Public or non-rateable Bowling Greens, Croquet Lawns and Lawn or Porous Tennis Courts.

The minimum annual charge shall be Two shillings and six pence per 1,000 square feet; provided that the minimum annual charge shall in no case be less than £1.

Water to be supplied at one-half the district charge of one and one-half pence per 1,000 gallons up to the amount of the minimum annual charge; excess water to be charged at one and one-half pence per 1,000 gallons.

The foregoing By-law was made by the State Rivers and Water Supply Commission on the 18th day of December, 1961, and the common seal of the said Commission was hereunto affixed the 18th day of December, 1961, in the presence of—

(SEAL) H. W. McCAY, Commissioner.
A. L. TISDALL, Commissioner.

Approved by the Governor in Council, 19th December, 1961.—N. G. WISHART, Acting Clerk of the Executive Council.

TYERS AND GLENGARRY WATERWORKS TRUST.

AUTHORITY TO OBTAIN BANK OVERDRAFT.

HIS Excellency the Governor of the State of Victoria, by and with the advice of the Executive Council thereof, doth by Order made on the 19th December, 1961, authorize the Tyers and Glengarry Waterworks Trust to obtain, in pursuance of the provisions of section 286 of the *Water Act 1958* (No. 6413), an advance or advances during the year 1962, from the Commonwealth Trading Bank of Australia, Traralgon, by overdraft of the Trust's current account thereat, such overdraft not to exceed at any one time the sum of Three hundred pounds (£300).

N. G. WISHART,
Acting Clerk of the Executive Council.

At Government House,
Melbourne, 19th December, 1961.

HORSHAM SEWERAGE AUTHORITY.

FIXING THE LIMIT OF A BANK OVERDRAFT.

HIS Excellency the Governor of the State of Victoria, by and with the advice of the Executive Council thereof, doth by Order made on the 19th December, 1961, in pursuance of the provisions of section 79 of the *Sewerage Districts Act 1958* (No. 6368), fix the limit of the overdraft to be obtained by the Horsham Sewerage Authority from the Commercial Bank of Australia Limited, Horsham, at an amount not to exceed at any one time the sum of Eight thousand pounds (£8,000).

N. G. WISHART,
Acting Clerk of the Executive Council.

At Government House,
Melbourne, 19th December, 1961.

LORNE SEWERAGE AUTHORITY.

FIXING THE LIMIT OF A BANK OVERDRAFT.

HIS Excellency the Governor of the State of Victoria, by and with the advice of the Executive Council thereof, doth by Order made on the 19th December, 1961, in pursuance of the provisions of section 79 of the *Sewerage Districts Act 1958* (No. 6368), fix the limit of the overdraft to be obtained by the Lorne Sewerage Authority from the Commercial Bank of Australia Limited, Lorne, from 1st January, 1962, at an amount not to exceed at any one time the sum of Fifteen thousand pounds (£15,000).

N. G. WISHART,
Acting Clerk of the Executive Council.

At Government House,
Melbourne, 19th December, 1961.

BOOLLARRA WATERWORKS TRUST.

AUTHORITY TO OBTAIN BANK OVERDRAFT.

HIS Excellency the Governor of the State of Victoria, by and with the advice of the Executive Council thereof, doth by Order made on the 19th December, 1961, authorize the Boolarra Waterworks Trust to obtain, in pursuance of the provisions of section 286 of the *Water Act 1958*, an advance or advances during the year 1962, from the National Bank of Australasia Limited, Morwell, by overdraft of the Trust's current account thereat, such overdraft not to exceed at any one time the sum of Three hundred pounds (£300).

N. G. WISHART,
Acting Clerk of the Executive Council.

At Government House,
Melbourne, 19th December, 1961.

LANG LANG WATERWORKS TRUST.

AUTHORITY TO OBTAIN BANK OVERDRAFT.

HIS Excellency the Governor of the State of Victoria, by and with the advice of the Executive Council thereof, doth by Order made on the 19th December, 1961, authorize the Lang Lang Waterworks Trust to obtain, in pursuance of the provisions of section 286 of the *Water Act 1958* (No. 6413), an advance or advances during the year 1962 from the Bank of New South Wales, Warragul, by overdraft of the Trust's current account thereat, such overdraft not to exceed at any one time the sum of Six hundred and fifty pounds (£650).

N. G. WISHART,
Acting Clerk of the Executive Council.

At Government House,
Melbourne, 19th December, 1961.

THE BENDIGO SEWERAGE AUTHORITY.

RATING BY-LAW No. 8.

The Bendigo Sewerage District.

THE Bendigo Sewerage Authority, in pursuance and exercise of the powers conferred by the Sewerage Districts Acts, doth hereby make the following By-law:—

The following sewerage rate is hereby made under the provisions of the Sewerage Districts Acts, and shall be levied upon the net annual value of the rateable sewerer properties within the Bendigo Sewerage District:—

1. Of any land or tenements situate within the Bendigo Sewerage District, a sewerage rate of One shilling in the £1 of the net annual value of all rateable "sewered property" within the said district.

2. In no case shall the amount of sewerage rate payable annually be less than £4 5s. in respect of any rateable sewerer property on which there is a building, and £3 in respect of any rateable sewerer property on which there is no building.

3. Such rate is made and shall be levied for the year beginning with the first day of October, 1961, and ending with the thirtieth day of September, 1962, and shall be payable on the first day of February, 1962, at the office of the Authority, situate at the Civic Buildings, Bendigo.

4. If any rateable property which is unsewered at the time of the making of the aforesaid rate becomes during the said year a "sewered property", there shall be levied upon such property a proportionate part of the sewerage rate for the portion of the year after it has become a sewerer property, and such property shall be deemed to have been lawfully rated accordingly.

5. For making and levying such rate the valuation for the time being of such lands and tenements for the municipal rate of the municipality in the municipal district of which such lands and tenements are situate shall be deemed and taken to be the valuation of such lands and tenements respectively; but if any such lands and tenements are not included in a valuation in force for the municipality in whose district they are situate, or if there is no such valuation, the net annual value thereof may for all purposes of such rate be determined in the manner provided in the Sewerage Districts Acts.

6. Such person or persons as the Bendigo Sewerage Authority may from time to time appoint for that purpose shall be and is or are hereby authorized to demand, receive, collect and recover the said rates and charges.

The Resolution for passing the foregoing By-law was agreed to by the Bendigo Sewerage Authority on the twenty-third day of October, 1961, and was confirmed by the said Authority on the twenty-seventh day of November, 1961.

(SEAL) T. R. FLOOD, Chairman.
K. HOULAHAN, Member.
H. A. MOORS, Secretary.

Approved by the Governor in Council,
5th December, 1961.

N. G. WISHART,
Acting Clerk of the Executive Council.

HAMILTON SEWERAGE AUTHORITY.

RATING BY-LAW NO. 5 FOR YEAR 1962.

THE Hamilton Sewerage Authority, in pursuance and exercise of the powers enforced by the Sewerage Districts Acts, doth hereby make the following Rating By-law and numbered 5, that is to say:—

That the Hamilton Sewerage Authority doth hereby make and levy a sewerage rate of One shilling and five pence (1s. 5d.) in the pound on the net annual value of all rateable sewered properties within its Sewerage District, but in no case shall the amount of sewerage rate payable annually be less than Six pounds (£6) in respect of any rateable sewered property on which there is a building, and Two pounds (£2) in respect of any rateable sewered property on which there is no building, and that such rate shall be made for the year ending 31st December, 1962, and shall be due and payable on 1st February, 1962.

Resolution for passing this By-law was agreed to by the said Authority at a Special Meeting held on the 9th November, 1961, and confirmed at a Special Meeting on 30th November, 1961.

The common seal of the Hamilton Sewerage Authority was hereunto affixed on the 30th day of November, 1961.

(SEAL) S. R. HARRIS, Chairman.
E. C. DEMPSTER, Commissioner.
J. E. RILEY, Commissioner.
H. F. DONALD, Secretary.

Approved by the Governor in Council on the twelfth day of December, 1961.—N. G. WISHART, Acting Clerk of the Executive Council.

KYNETON SEWERAGE AUTHORITY.

RATING BY-LAW FOR THE NINE MONTHS ENDING 30TH SEPTEMBER, 1962.

THE Kyneton Sewerage Authority, in pursuance and exercise of the powers conferred by the Sewerage Districts Act doth hereby make a sewerage rate of One shilling and three pence (1s. 3d.) in the £1 on the annual municipal valuation of the sewered properties liable to be rated within the Kyneton Sewerage District.

Provided that in no case shall the amount of rates payable in respect of any rateable sewered property on which there is a building be less than Seventy-five shillings (75s.) and rateable sewered property on which there is no building be less than Thirty shillings (30s.).

Such rate is made and shall be levied upon the owners or occupiers of the said rateable sewered properties for the nine months commencing on the 1st day of January, 1962, and shall be due and payable on the 22nd day of January, 1962, at the office of the said Authority, Shire Hall, Kyneton.

The foregoing By-law was made and passed by the Kyneton Sewerage Authority at a Special Meeting held on the 4th day of October, 1961, and confirmed at a subsequent Special Meeting of the Authority on the 1st day of November, 1961.

(SEAL) G. E. METCALFE, Chairman.
S. G. PORTER, Secretary.

Approved by the Governor in Council, on the twelfth day of December, 1961.—N. G. WISHART, Acting Clerk of the Executive Council.

BOROUGH ECHUCA WATER TRUST.

BY-LAW NO. 1.

THE Borough Echuca Water Trust (hereinafter referred to as "the Trust") in pursuance of and in exercise of the powers conferred by the Water Acts, doth hereby make a By-law for restricting the use of water supplied by the Trust for other than domestic purposes within the Borough Echuca Water Trust Urban District.

1. This By-law shall come into operation at such time as the Trust from time to time directs by a notice published in the *Echuca Riverine Herald* and shall cease to have operation at such time as the Trust from time to time directs by notice published in the said newspaper.

2. No person shall between the hours of Four o'clock in the afternoon and Eight o'clock in the afternoon use or permit or suffer to be used any water supplied by the Trust for the purpose of watering or irrigating any land, lawns, gardens, plantation, or any vegetation whatsoever, unless the water is used through or by means of a hose held and controlled in the hand within 18 inches of the outlet end of such hose during such use by a person so using the water.

3. This By-law shall have effect throughout the whole of the Borough Echuca Water Trust Urban District.

4. Every person guilty of an offence against this By-law shall for every such offence be liable to a penalty not exceeding Five pounds.

The foregoing By-law was made and passed by the Commissioners of the Borough Echuca Water Trust on the twenty-seventh day of March, 1961, and the seal of the Trust affixed hereto, in the presence of—

(SEAL) G. A. HARVEY, Chairman.
L. J. LORD, Commissioner.
K. F. MCCARTNEY, Secretary.

Approved by the Governor in Council, 12th December, 1961.—N. G. WISHART, Acting Clerk of the Executive Council.

BOROUGH ECHUCA WATER TRUST.

BY-LAW NO. 2.

THE Borough Echuca Water Trust (hereinafter referred to as "the Trust"), in pursuance of and in exercise of the powers conferred by the *Water Act 1958*, doth hereby make a By-law prescribing the fees to be charged for the tapping of water mains within the Urban District of the said Trust.

1. All former By-laws relating to the matters provided for herein are hereby repealed.

2. The fees payable to the said Trust for the tapping of cast-iron mains, asbestos cement mains, concrete mains or any other type of main shall be as follows:—

	Per 2-in. Tapping Saddle Required.			Per 1-in. Tapping Saddle Required.			No Saddle Required.		
	£	s.	d.	£	s.	d.	£	s.	d.
4-in. diameter and under	3	0	0	3	0	0	2	0	0
Over 4-in. diameter, but not exceeding 6-in. diameter	3	15	0	3	15	0	2	10	0
Over 6-in. diameter, but not exceeding 9-in. diameter	4	15	0	4	15	0	2	15	0
Over 9-in. diameter	5	5	0	5	5	0	3	0	0

The foregoing By-law was made and passed by the Borough Echuca Water Trust on the twenty-seventh day of March, 1961.

In witness whereof the common seal of the said Trust was affixed hereto, in the presence of—

(SEAL) G. A. HARVEY, Chairman.
P. W. SYMONS, Commissioner.
K. F. MCCARTNEY, Secretary.

Approved by the Governor in Council, 12th December, 1961.—N. G. WISHART, Acting Clerk of the Executive Council.

MT. BEAUTY SEWERAGE AUTHORITY.

RATING BY-LAW FOR THE YEAR 1962.

THE Mount Beauty Sewerage Authority, in pursuance and exercise of the powers conferred by the Sewerage Districts Act (No. 6368), doth hereby make the following By-law:—

1. That a sewerage rate of 2s. (Two shillings) in the £1 on a net annual valuation be fixed for the period commencing 1st day of January, 1962, and ending on the 31st December, 1962.

2. That the minimum rate to be paid annually by the owner or occupier of any rateable seweraged property on which there is a building, the sum of £6 (Six pounds), and in respect of any rateable seweraged property on which there is no building, the sum of £2 (Two pounds).

3. If any rateable property which is unsewered at the time of making of the aforesaid rate, becomes during the year a "sewered" property, there shall be levied upon such property a proportionate part of the sewage rate for the portion of the year after it has become a seweraged property, and such property shall be deemed to have been lawfully rated accordingly.

4. Such rate shall be due and payable on the 1st day of May, 1962, at the office of the said Authority.

The foregoing By-law was passed at a Special Meeting of the Mt. Beauty Sewerage Authority on the 19th day of September, 1961, and was confirmed by the said Authority on the 25th day of September, 1961.

(SEAL) S. A. CLARKE, Chairman.
A. J. McCULLOUGH, Member.
N. W. ALEXANDER, Secretary.

Approved by the Governor in Council, on the twelfth day of December, 1961.—N. G. WISHART, Acting Clerk of the Executive Council.

COUNTY COURTS FOR 1962.

ALTERATION TO DATES FOR HOLDING.

Place.	Alteration.
WARRAGUL	From Monday, the 19th February, 1962, to Tuesday, the 20th February, 1962.

By order of the Judges,

R. H. GOSS,
Registrar.

Melbourne, 13th December, 1961.

MOTOR CAR REGULATIONS 1952.

APPROVAL OF REFLECTORS.

NOTICE is hereby given that the under-mentioned reflectors have been approved as complying with Clause 126 of the Motor Car Regulations 1952.

Trade Name of Reflector.	Submitted By.	Type.	Approval Number.
"Hella" ..	Brown and Watson Pty. Ltd., 281-283 Latrobe-street, Melbourne, C.1	Red	R.42

(Reflectors of five varying sizes are included in this approval.)

Approved samples of the above reflectors may be inspected at the Exhibition Police Station, Rathdown-street, Carlton.

S. H. PORTER,
Chief Commissioner of Police.

LAW DEPARTMENT.

ANNUAL SITTINGS OF THE LICENSING COURT.

HIS Excellency the Governor of the State of Victoria, by and with the advice of the Executive Council thereof, doth by Order made on the 19th December, 1961, pursuant to the provisions of the *Licensing Act 1958*, extend the time for holding the Annual Sittings of the Licensing Court for the Licensing Areas set out in the first column of the Schedule hereunder for a period not exceeding two months from the last day of the period appointed as indicated in the second column of such Schedule.

SCHEDULE.

Licensing Area; Date of Sittings.

Bairnsdale;	31st December, 1961.
Bendigo;	31st December, 1961.
Central Metropolitan;	31st December, 1961.
Eastern Metropolitan;	31st December, 1961.
Western Metropolitan;	31st December, 1961.
Geelong;	31st December, 1961.
Hamilton;	31st December, 1961.
Shepparton;	31st December, 1961.
Wangaratta;	31st December, 1961.

N. G. WISHART,
Acting Clerk of the Executive Council.

At Government House,
Melbourne, 19th December, 1961.

Dairy Products Acts.

QUOTAS FOR BUTTER AND CHEESE.

BUTTER QUOTA.

I, GILBERT LAWRENCE CHANDLER, Minister of Agriculture in the State of Victoria, after consultation with the Victorian Dairy Products Board, and after ascertaining that the supply and distribution of butter at reasonable prices to consumers thereof in Victoria will be ensured, hereby determine a quota for butter as follows:—

The proportion shall be Forty-seven point four four per cent.

The period for which this quota is to operate shall be the month of January, 1962.

CHEESE QUOTA.

I, GILBERT LAWRENCE CHANDLER, Minister of Agriculture in the State of Victoria, after consultation with the Victorian Dairy Products Board, and after ascertaining that the supply and distribution of cheese at reasonable prices to consumers thereof in Victoria will be ensured, hereby determine a quota for cheese as follows:—

The proportion shall be Forty-two point five five per cent.

The period for which this quota is to operate shall be the month of January, 1962.

G. L. CHANDLER,

Minister of Agriculture.

18th December, 1961.

Milk Board Act 1958.

SPECIFIED DAIRIES.

AFTER inquiry, conducted pursuant to section 22 of the Milk Board Act, the Milk Board doth by this notice—

- (1) hereby specify the dairies shown in Schedule A herein as dairies from which milk may be sold or distributed within a milk district;
- (2) hereby specify the dairy shown in Schedule B herein as a dairy at which milk may be sold by retail for delivery only at that dairy;
- (3) hereby cancel, as from the date hereof, the licences held under Part II. of the *Milk and Dairy Supervision Act 1958* in respect of such dairies within the Ballarat Milk District and the Swan Hill Milk District as are not specified in this notice.

SCHEDULE A.

DAIRIES WITHIN THE BALLARAT MILK DISTRICT FROM WHICH MILK MAY BE SOLD OR DISTRIBUTED WITHIN THAT DISTRICT.

MUNICIPAL DISTRICT—CITY OF BALLAARAT.

DAIRIES—DELIVERY.

Present Holder of Licence; Location.

Advance Dairy Pty. Ltd.; 221 Scots-parade, Ballarat East.
Ballarat Modern Dairy Pty. Ltd.; 819 Sturt-street, Ballarat.

Golden Pura Dairy Pty. Ltd.; 903 Lydiard-street, Ballarat North.

James, V.; cnr. Adair and Lonsdale streets, Ballarat.

Maxwell, T. A.; 31 Rowe-street, Ballarat.

Mills, A. E.; 149 York-street, Ballarat East.

Wallis, L. and I. G.; 1114 Ligar-street, Ballarat North.

MUNICIPAL DISTRICT—SHIRE OF BALLAARAT.

DAIRIES—DELIVERY.

Present Holder of Licence; Location.

Ballarat Modern Dairy Pty. Ltd.; 1259 Howitt-street, Wendouree.

Pollock, W. A.; Burrumbeet-road, Alfredton.

White, D. L.; 14 Learmonth-street, Ballarat.

MUNICIPAL DISTRICT—GRENVILLE.

DAIRIES—DELIVERY.

Present Holder of Licence; Location.

Milk Processors Pty. Ltd.; Elizabeth-street, Ballarat.

MUNICIPAL DISTRICT—SEBASTOPOL.

DAIRIES—DELIVERY.

Present Holder of Licence; Location.

Sunrise Dairy; 88 Albert-street, Sebastopol.

DAIRIES OUTSIDE THE BALLARAT MILK DISTRICT FROM WHICH MILK MAY BE SOLD OR DISTRIBUTED WITHIN THAT DISTRICT.

Present Holder of Licence; Location.

Poynton, H. J., and F. D. McNaughton; Learmonth-street, Buninyong.

DAIRIES WITHIN THE SWAN HILL MILK DISTRICT FROM WHICH MILK MAY BE SOLD OR DISTRIBUTED WITHIN THAT DISTRICT.

MUNICIPAL DISTRICT—BOROUGH OF SWAN HILL.
DAIRIES—DELIVERY.

Present Holder of Licence; Location.

Clark, A. R. and N. B.; 2 Pritchard-street, Swan Hill.
Swan Hill Milk Pty. Ltd.; Curlewis-street, Swan Hill.

SCHEDULE B.

DAIRIES WITHIN THE BALLARAT MILK DISTRICT FROM WHICH MILK MAY BE SOLD BY RETAIL FOR DELIVERY ONLY AT THOSE PREMISES.

MUNICIPAL DISTRICT—BUNINYONG.

DAIRIES—DAIRY FARM AND HOUSE TRADE DAIRIES.

Present Holder of Licence; Location.

Ramage, J., 226 Humfray-street south, Mt. Pleasant.

By order of the Milk Board,

R. D. HALL,
Secretary.

12th December, 1961.

CORRIGENDUM.—Page 4288, *Government Gazette* No. 110 of 13th December, 1961:—

The page heading "No. 107.—December 6, 1961", should read "No. 110.—December 13, 1961".

A. C. BROOKS,
Government Printer.

Melbourne, 14th December, 1961.

PUBLIC TRUSTEE ACT 1958 (No. 6350), SECTION 17.

I HEREBY give notice that on the 29th November, 1961, the Public Trustee filed an election to administer the following deceased person's estate, in accordance with section 17 of the *Public Trustee Act 1958*:—

POOLEY, ARTHUR, formerly of 1412 High-street, Malvern, but late of 214 Arden-street, North Melbourne, retired plumber, died 5th October, 1961.

I HEREBY give notice that on the 12th December, 1961, the Public Trustee filed elections to administer the following deceased persons' estates, in accordance with section 17 of the *Public Trustee Act 1958*:—

COLE, JOSEPH, late of 99 Park-street, South Yarra, labourer, died 18th May, 1961.

HOCKING, BRIAN, late of R.A.A.F. Station, Tottenham, Victoria, aircraftsman, died 1st August, 1961.

NICOL, ELSPETH PATTERSON, late of Ballarat, spinster, died 15th November, 1960.

A. D. DUNCAN,
Public Trustee.

601 Little Collins-street, Melbourne, C.1, 13th December, 1961.

NOTICE.

CREDITORS, next of kin and others having claims against the estate of any of the under-mentioned deceased persons are required to send particulars of their claims to the Public Trustee, 7th Floor, 601 Little Collins-street, Melbourne, the personal representative, on or before the 23rd February, 1962, after which date the Public Trustee may convey or distribute the assets, having regard only to the claims of which the public Trustee then has notice:—

CARTER, GEORGE HEATON, formerly of 22 Walsh-street, Coburg, late of 28 Strathearn-avenue, Coburg, engineer, died 29th August, 1961.

CHEATLEY, SARAH, formerly of 5 Rockley-road, South Yarra, Victoria, and 2 Brassey-street, Swanbourne, Western Australia, but late of "Seabourne Hospital", 12 Kings Park-road, West Perth, Western Australia, spinster, died 20th September, 1960.

COLE, JOSEPH, late of 99 Park-street, South Yarra, labourer, died 18th May, 1961.

HOCKING, BRIAN, late of R.A.A.F. Station, Tottenham, Victoria, aircraftsman, died 1st August, 1961.

MCCARTHY, RACHEL, late of 9 Kilrush-street, Brighton Beach, widow, died 6th October, 1961.

MCLEAN, LUCY, late of 8 Harbourne-street, Macleod, widow, died 15th June, 1961.

NICOL, ELSPETH PATTERSON, late of Ballarat, spinster, died 15th November, 1960.

POOLEY, ARTHUR, formerly of 1412 High-street, Malvern, but late of 214 Arden-street, North Melbourne, retired plumber, died 5th October, 1961.

RENDULIC, MILAN, late of Migrant Hostel, Williamson's-road, Maribyrnong, blacksmith, died 5th January, 1959.

SALMON, AUBREY JEFFRIES, formerly of 93 Ormond-road, Elwood, but late of 209 Abbot-street, Cairns, Queensland, military pensioner, died 26th June, 1960.

TREWARTHA, STANLEY THOMAS, late of 22 Monash-street, Ascot Vale, clerk, died 30th August, 1961.

WALSH, JAMES EDWARD, late of 12 Dorset-street, Pascoe Vale, linesman, died 10th September, 1961.

WELLS, LILIAN MAUD, late of 15 Somerset-street, Richmond, spinster, died 12th August, 1961.

A. D. DUNCAN,
Public Trustee.

Melbourne, 13th December, 1961.

Town and Country Planning Acts.

BOROUGH OF ECHUCA.

INTERIM DEVELOPMENT ORDER.

BY virtue of the powers conferred by the Town and Country Planning Acts and of every other power enabling it in that behalf, the Borough of Echuca (hereinafter referred to as the responsible authority) having commenced the preparation of a planning scheme in accordance with the said Act on the fifteenth day of July, 1957, hereby makes the following Interim Development Order for the purpose of regulating, restricting, restraining or prohibiting the use or development of any land or the erection, construction or carrying out of any buildings or works on any land within the area set forth in the Schedule hereto.

1. After the coming into operation of this Interim Development Order no person shall use or develop any land or erect, construct or carry out any buildings or works on any land within the area included in the Schedule, except in accordance with the provisions of a permit issued by the responsible authority.

2. Any application for a permit to use or develop any land or to erect, construct or carry out any buildings or works, shall be accompanied by a sketch, plan or copy of certificate of title of the land and a description of the proposed use or development, and type and construction of any buildings or works proposed to be erected, constructed or carried out and such other particulars relating to the application as the responsible authority may require.

3. This Interim Development Order shall not prevent the continuance of the use of any land or buildings for the purposes for which such land or buildings were lawfully used immediately before the coming into operation of this Order.

4. Schedule—The whole of the municipal district of the Borough of Echuca.

Dated this 30th day of October, 1961.

The common seal of the Mayor, Councillors and Burgesses of the Borough of Echuca was hereunto affixed by authority of the Council in the presence of—

(SEAL) W. F. N. BENNETT, Mayor.
W. A. LYNCH, Councillor.
K. F. McCARTNEY, Town Clerk.

Report by the Town and Country Planning Board on the 14th day of December, 1961.—Recommended for approval, Fred C. Cook, Chairman.

Approved by the Governor in Council on the 19th day of December, 1961.—N. G. WISHART, Acting Clerk of the Executive Council.

LOCAL GOVERNMENT DEPARTMENT.

SHIRE OF GISBORNE.—ORDER CONFIRMED.

THE Minister of the Crown administering the *Local Government Act 1958*, as amended, on the 4th day of December, 1961, confirmed the Order hereinafter referred to in pursuance of section 514 of the said Act, namely:

An Order of the Council of the Shire of Gisborne made on the 6th November, 1961, for the purpose of providing a municipal depot and for acquiring for that purpose all that piece of land being lots 1 to 9 inclusive on plan of subdivision No. 1111 lodged in the Office of Titles, and being part of the land described in certificate of title, volume 2395, folio 922.

M. V. PORTER,
Minister for Local Government.

Marriage Act 1958.

MINISTERS OF RELIGION REGISTERED TO CELEBRATE MARRIAGES IN VICTORIA.

It is hereby notified that in pursuance of the provisions of the *Marriage Act 1958*, No. 6306, Sec. 11, the under-mentioned Officiating Ministers of Religion have been registered at this Office for the celebration of marriages in Victoria:—

Number in Register.	Name.	Designation.	Denomination.	Residence.	Date of Registration.
12523	Anderson, George	Minister ..	Presbyterian ..	37 Valley-road, Canterbury ..	21.11.61
12524	Merlino, Francis	Priest ..	Roman Catholic ..	182 Power-street, Hawthorn ..	28.11.61
12525	Hanly, Cornelius	Priest ..	Roman Catholic ..	73 North-road, Gardenvale ..	28.11.61
12526	Widdison, George Bernard ..	Priest ..	Roman Catholic ..	St. Patrick's Presbytery, Melbourne	28.11.61
12527	Jackel, Cecil William ..	Minister ..	Churches of Christ ..	201 Humfray-street south, Ballarat	7.12.61
12528	Clifford, Michael	Priest ..	Roman Catholic ..	Echuca	7.12.61
12529	O'Byrne, James	Priest ..	Roman Catholic ..	Rochester	7.12.61
12530	Pamflett, Thomas Macdonald ..	Priest ..	Church of England ..	216 Koroit-street, Warrnambool ..	7.12.61
12531	Bedford, John Plasket ..	Priest ..	Church of England ..	34 Pollack-street, Colac	7.12.61
12532	Hayward, Maurice Arthur ..	Priest ..	Church of England ..	3 John-street, Horsham	7.12.61
12533	Roberts, Frank Bramwell ..	Captain ..	Salvation Army ..	16 Marshall-street, Chilwell ..	7.12.61
12534	Long, Robert Milton ..	Priest ..	Church of England ..	Missions to Seamen, Flinders-street Extension, Melbourne	8.12.61
12535	Wilson, Clifford Allan ..	Pastor ..	Baptist ..	55 Wheatland-road, Malvern ..	12.12.61
12536	Wells, Charles Robert ..	Evangelist ..	Open Brethren ..	304 Windermere-street, Ballarat ..	13.12.61
12537	Wilson, Raymond Fred ..	Evangelist ..	Open Brethren ..	146 Gaffney-street, Coburg ..	13.12.61
12538	Ogier, Victor Roy ..	Pastor ..	Open Brethren ..	42 Nicholson-street, Nunawading ..	13.12.61
12539	Upson, Victor Newell ..	Pastor ..	Open Brethren ..	90 East Boundary-road, East Bentleigh	13.12.61
12540	Davies, John Edwin ..	Minister ..	Congregational ..	8 Farleigh-grove, Middle Brighton ..	13.12.61
12541	Dossor, Howard Francis ..	Minister ..	Congregational ..	30 Olympic-avenue, Newtown, Geelong	13.12.61
12542	Evans, John Glyndwr ..	Minister ..	Presbyterian ..	621 Punt-road, South Yarra ..	15.12.61

Office of the Government Statist,
Melbourne, 15th December, 1961.

F. W. CORRIE,
Assistant Government Statist.

LOCAL GOVERNMENT DEPARTMENT.

CITY OF GEELONG.—ORDER CONFIRMED.

THE Minister of the Crown administering the *Local Government Act 1958*, as amended, on the 4th day of December, 1961, confirmed the Order hereinafter referred to in pursuance of section 514 of the said Act, namely:

An Order of the Council of the City of Geelong made on the 29th August, 1961, for the purposes of the widening of Warner-place and the provision of a new street and a car parking area and for acquiring for those purposes the following pieces of land:—

- (i) All that piece of land being part of Crown allotment 4, section 34, City of Geelong, Parish of Corio, commencing at the southern corner of the said allotment and bounded on the south-west by Little Ryrie-street bearing 281 deg. 2½ min. 50 ft. 1 in.; thence by lines bearing 10 deg. 54 min. 136 feet; 100 deg. 54 min. 51 ft. 4½ in.; and thence along the south-eastern boundary of the said allotment forming the western side of a private street called Warner-place by lines bearing 191 deg. 53 min. 44 ft. 4 in.; 191 deg. 20 min. 66 ft. 7 in., and 191 deg. 1 min. 25 ft. 3 in. to the commencing point; and
- (ii) also all that piece of land being part of Crown allotments 6 and 7, section 34, City and Parish aforesaid, commencing at the western corner of the said allotment 7 and bounded on the north-west by a Government lane called O'Farrell-place north bearing 10 deg. 58 min. 139 ft. 7 in.; thence by lines bearing 100 deg. 58 min. 66 ft. 9 in., 101 deg. 4 min. 47 ft. 4 in., 190 deg. 57 min. 139 ft. 8 in.; and thence along the north-eastern side of Little Ryrie-street bearing 281 deg. 2½ min. 114 ft. 1½ in. to the commencing point.

M. V. PORTER,
Minister for Local Government.

Country Fire Authority Act.
PERMISSION TO HOLD FIRE BRIGADE
DEMONSTRATION.

IN pursuance with the provisions of section 103 of the *Country Fire Authority Act 1958*, the Country Fire Authority has granted permission for the holding of a fire brigade demonstration as under:—

(URBAN) REGIONAL COUNCIL No. 5.

On Saturday, 10th March, 1962, at Mornington.
J. L. ALLEN,
Secretary.

Country Fire Authority Act.

PERMISSION TO HOLD FIRE BRIGADE
DEMONSTRATION.

IN pursuance with the provisions of section 103 of the *Country Fire Authority Act 1958*, the Country Fire Authority has granted permission for the holding of a fire brigade demonstration as under:—

RURAL FIRE BRIGADES.

At Burrumbeet on Saturday, 31st March, 1962.

J. L. ALLEN,
Secretary.

Country Fire Authority Act.

PERMISSION TO HOLD FIRE BRIGADE
DEMONSTRATION.

IN pursuance with the provisions of section 103 of the *Country Fire Authority Act 1958*, the Country Fire Authority has granted permission for the holding of a fire brigade demonstration as under:—

URBAN FIRE BRIGADES.

At Boort, on Monday, 29th January, 1962.

J. L. ALLEN,
Secretary.

Fisheries Act 1958.

NOTICE OF INTENTION TO PRESCRIBE THE TREATMENT OF SCHOOL OR SNAPPER SHARK OR GUMMY SHARK WHETHER TAKEN IN VICTORIA OR ELSEWHERE PRIOR TO BEING LANDED IN VICTORIA.

It is hereby notified for general information that it is intended, after the expiration of one month from the date of publication of this notice in the *Government Gazette*, to move His Excellency the Governor in Council to make a Proclamation prescribing the treatment of School or Snapper Shark or Gummy Shark whether taken in Victoria or elsewhere prior to being landed in Victoria for consigning, selling, marketing, storing or distributing as follows:—

Any School or Snapper Shark or Gummy Shark brought from any fishing grounds by sea shall be landed at a port in Victoria as a carcass.

NOTE.—For the purpose of this Proclamation "carcass" shall mean the body of a shark with the fifth gill slit showing and with the tail attached.

E. R. MEAGHER,
for Chief Secretary.

J. McNALLY,
Acting Director of Fisheries and Wildlife.

CONTRACTS ACCEPTED.—(Series 1961-62.)**CEREALS.**

Requirements under Sub-schedule No. 7 of Schedule No. 1 for the month of January, 1962, are to be purchased from the under-mentioned firms at the rates per cwt. respectively indicated, viz., Robert Harper and Co. Ltd., Oatmeal—plain, 44s.; Oatmeal—flaked, 45s.; Rice—dressed, 91s.; Rice—unpolished, 91s.; Tapioca—seed, 8d. per lb., less 3 per cent. 14 days or 2½ per cent. 30 days. H. S. K. Ward Pty. Ltd., Barley—pearl, 37s. 6d.; Peas—split—yellow, 59s. 6d.

H. COUTTS, Secretary to the Tender Board. 18.12.61.

VICTORIAN RAILWAYS.

123. Erection, &c., of maintenance workshop at South Dynon, for £687,179 (Contract 61938).—John Holland and Co. Pty. Ltd. 124. Armour plate glass, at rates (Contract 61988).—Stansfield and Smith Pty. Ltd. 125. Axle boxes, at £37 6s. each (Contract 61995).—The S.K.F. Ball Bearing Co. (Australia) Pty. Ltd. 126. Ballast, at £1 2s. per cubic yard (Contract 62039).—Avon Quarries Pty. Ltd. 127. Compacting, &c., of crushed rock, at Station-street, Ringwood, at rates (Contract 62105).—J. H. Gould.

By order of the Victorian Railways Commissioners,
W. WALKER, Secretary for Railways. 15.12.61.

PUBLIC WORKS.

1862. Ballarat, Mental Hospital, erection of occupational therapy centre, £10,950.—Colbourne and Powell.
1863. Caulfield, Technical School, mechanical services for three-story class-room block and single-story trades block, £11,795.—Thermic Heating and Ventilation.
1864. Huntingdale, High School, erection of third section of building, £38,321.—P. M. Versteegen and Sons Pty. Ltd.
1865. Mooroolbark, Technical School, erection of first section, £60,700.—Gallagher and Power.
1866. Orbost, High School, additional class-room wing, £75,432.—A. V. Jennings Construction Co. Pty. Ltd.
1867. Parktone, State School No. 4843, erection of additional class-rooms, £11,939.—A. V. Jennings Construction Co. Pty. Ltd.
1868. Tallangatta, High School, new building, type "300", £70,000.—Aif. Richardson Constructions.
1869. Antonio Park, State School No. 4844, fencing, £249 15s.—Diamond Fence and Gate Co. Pty. Ltd.
1870. Ararat, Mental Hospital, alterations to steam reticulation, £1,333 12s. 6d.—Dawson Plumbing Service.
1871. Ballarat, High School, reblocking, repairs and painting, caretaker's quarters, £1,738.—J. C. Thomas.
1872. Ballarat, Mental Hospital, sawdust extraction unit in carpenters' shop, £818.—Bruce Sheet Metal Service.
1873. Ballarat, Inspector's Residence, Department of Labour and Industry, 612 Peel-street, repairs and painting, £390.—J. C. Thomas.
1874. Ballarat, School of Mines and Industries, electrical installation reticulation, £2,997 10s.—T. J. Coutts Pty. Ltd.
1875. Ballarat, School of Mines, provision of stainless steel sinks, £497 10s.—J. W. Ford.
1876. Bannockburn, State School No. 932, erection of No. 1 shelter pavilion, £339.—A. P. Van Dort.
1877. Benalla, Court House, air-conditioning and hot-water services and circulating fans, £2,243 18s.—J. Harrison Pty. Ltd.
1878. Benjeroop East, State School No. 2615, repairs, painting, overhaul of roof, &c., £767 10s.—R. B. McDonald.
1879. Bright, Higher Elementary School, repairs and painting, &c., to school and residence, £3,100.—G. E. Currey.
1880. Camberwell South, State School No. 4170, internal and external renovations to cleaner's residence, £360.—G. J. Little.
1881. Cann River, State School No. 3920, installation of septic tanks and new timber out-offices block, school and residence, £1,468.—N. F. Mann.
1882. Dandenong, Technical School, supply, installation and testing of the fume exhaust system and oxy-acetylene equipment, £1,643.—W. E. Tuck.
1883. East Oakleigh, State School No. 4327, sanitary accommodation for female staff, £516.—G. T. Nicholds.
1884. Fawkner, State School No. 3590, additional sanitary accommodation and connexion of school to M.M.B.W. sewer, £3,400.—S. W. Biggs.
1885. Golden Square, Police Station, erection of brick veneer office, £2,660 10s.—R. Collier.
1886. Hawthorn, Agriculture Department, Milk Board, electrical installation, alterations and additions, £1,520.—R. W. Hodgson and Co.
1887. Hawthorn, Swinburne Technical School, remodel main entrance hall, £1,345 5s.—F. T. Pulling and Sons Pty. Ltd.

No. 112.—10825/61.—2

1888. Kerrimuir, State School No. 4816, plenum heating to six additional class-rooms, £1,890.—Bruce Sheet Metal Service.

1889. Koonung Heights, State School No. 4727, connexion to sewer and abolishing septic tank, £1,205.—Egeberg Building and Plumbing Service.

1890. South Yarra, Melbourne High School, repairs and painting of steel fire escape staircases and wrought-iron gates and fencing, &c., £1,308.—Ellis Decorating Service.

1891. Melbourne, Police Department, Depot Hospital, new bathroom, toilet and storage facilities, £665 12s. 3d.—A. Crewther and Son Pty. Ltd.

1892. Mitcham, High School, electrical installation in extended stage 3, £2,740.—W. T. Waterfall and Sons Pty. Ltd.

1893. Mitcham, High School, supply, delivery, installation and testing of the mechanical services for stage three, £3,879.—Sandilux Pty. Ltd.

1894. Mornington, High School, erection of chain mesh and pipe post and wire fencing, £810 12s. 6d.—A.A.A. Fencing Contractors.

1895. Nanneella South, State School No. 1857, repairs and painting, &c., to residence, £729.—W. Collins.

1896. Numurkah, High School, reblocking of residence, 172 Melville-street, £457 10s.—P. M. and K. Everson.

1897. Oak Park, High School, electrical installation in extended stage three (3) standard high school, £2,560.—W. T. Waterfall and Sons Pty. Ltd.

1898. Oak Park, High School, cnr. Barina-road and Plumpton-avenue, mechanical services for stage three, £3,866.—Sandilux Pty. Ltd.

1899. Parklands, State School No. 4738, installation of septic tank, fire service, &c., £7,745.—R. and G. Guymer.

1900. Portarlington, Police Station, erection of timber-framed combined residence and "A" type office, £5,698 10s.—D.H.R. Building and Bricklaying Contractors.

1901. Rosanna Golf Links, State School No. 4753, electrical installation in two (2) additional L.T.C. class-rooms and external lighting, £335.—Derjan Electrics.

1902. St. Albans, State School No. 2969, installation of septic tank and fire service, £5,915.—Neerim Plumbers Pty. Ltd.

1903. Shepparton, Fisheries and Wildlife Department, erection of residence and office, £5,650.—W. M. Ord.

1904. Springvale North, State School No. 1658, additional out-offices and drinking and ablution troughs, £838 10s.—C. McCarthy.

1905. Strathmore North, State School No. 4821, erection of two shelter pavilions, £995.—W. A. Churchill.

1906. Sebastopol, Girls' Technical School, erect No. 2 shelter pavilions and 16-ft. x 12-ft. store, £1,435 10s.—W. T. Bedson.

1907. Strathmore North, State School No. 4821, plenum heating to four additional class-rooms, £1,757.—D. M. Beaumont.

1908. Sunbury, Mental Hospital, replacement of broken fibro-cement sheets with weatherboards at office and kitchen, Ward M.5, £278.—L. W. Friezer.

1909. Talbot, State School No. 954, school: new out-office block septic tank installation; residence: septic tank installation, £1,300.—E. A. Wilkinson.

1910. Adelaide, Tourist Development Authority, re-modelling building at 32 King William-street, Adelaide, £16,361.—V. and H. Lindenthal.

1911. Ararat, Mental Hospital, erection of two-story brick buildings adjoining Wards M.1, M.2, M.3, M.4, M.5 and M.7, £16,995.—W. G. Feary and Sons.

1912. Greenslopes, State School No. 4891, new primary school, £39,597.—R. Surace Pty. Ltd.

1913. Heathmont East, State School No. 4819, new primary school, £27,877.—R. Surace Pty. Ltd.

1914. Mooroolbark, Technical School, mechanical services to stage 1, £10,987.—F. W. Nielsen Pty. Ltd.

1915. Allansford, State School No. 3, repairs and painting to residence, £296.—Hose and Schultz.

1916. Ararat, Mental Hospital, modifications to ventilation in kitchen of "J" Ward, £555 10s.—D. M. Beaumont.

1917. Ararat, Mental Hospital, supply and installation of unit heaters in main kitchen building and sewing building, £1,542 17s. 6d.—Dawson Plumbing Service.

1918. Ararat, Police Station, erection of new brick veneer residence, £6,195.—B. F. Schotte.

1919. Wendouree, State School No. 1813, electrical installation, two (2) additional class-rooms, £262 15s.—T. J. Coutts Pty. Ltd.

1920. Ballarat, High School, renovations and painting to residence, 224 Dowling-street, £1,586 18s. 9d.—J. A. Newman.

1921. Ballarat, Mental Hospital, electrical services in new Occupational Therapy Centre, £435.—T. J. Coutts Pty. Ltd.

1922. Beechworth, State School No. 1560, construction of four (4) additional out-offices for girls and septic tank installation, £2,770.—Stone Bros. Pty. Ltd.

1923. Beechworth, Mental Hospital, connecting link between Ward F.6 and L.T.C. Therapy Ward, £985 17s. 6d.—J. R. Cunningham.

1924. Benambra, State School No. 1746, new out-offices and septic tank installations at school and residence, £795 10s.—Sheean and Ansaldo.

1925. Blackburn, State School No. 2923, external painting to L.T.C. building, £322.—J. H. Foster and Sons.

1926. Boundary Bend, State School No. 4089, erection of a new out-office block and septic tanks, £997.—F. Bourke.

1927. Briar Hill, State School No. 4341, installation of septic tank, filter bed and fire service, £3,040.—Neerim Plumbers Pty. Ltd.

1928. Broadford, State School No. 1125, additional toilets and filtration system, £1,831.—R. D. Beattie Pty. Ltd.

1929. Bunyip, State School No. 2229, new out-office block and septic tank installation, £1,681 12s.—J. R. Lamble.

1930. Clifton Hill, State School No. 3146, external repairs and painting, £894.—A. Klimas.

1931. Cohuna, High School, provision and erection of new tanks and stands and drinking troughs, £367 12s.—R. House.

1932. Coprop, State School No. 1021, provision of flywire screens, internal and external painting, £307 13s.—A. C. Meyenn.

1933. Coburg West, State School No. 3941, additional toilets, new spouting, &c., £1,655.—Neerim Plumbers Pty. Ltd.

1934. Drysdale, State School No. 1645, additional sanitary accommodation, drinking and washing facilities, £539 19s.—Nott and Drew Pty. Ltd.

1935. Echuca, Technical School, provision of slow combustion heaters, £385.—I. W. Huxtable.

1936. Glenroy, State School No. 3118, construction of new timber out-office block, extension of existing out-offices, connexion to sewer, new water service, &c., £10,490.—H. A. Bannister.

1937. Hastings, State School No. 1098, reblocking to class-room No. 2 and vestibule, £295.—D. B. Tincknell Pty. Ltd.

1938. Kilcunda-road, State School No. 3337, general repairs, internal and external painting, &c., £471.—D. Maher.

1939. Lalor, State School No. 4709, septic tank installation and fire service, £3,822 10s.—G. H. Curtis and Sons Pty. Ltd.

1940. Lockington, Consolidated School, provision of an effluent pump for septic tank, £255 17s.—Langley and Son.

1941. Melbourne, William Angliss Food Trades School, Latrobe-street, air conditioning and ventilation installation, £2,652.—Belsair Pty. Ltd.

1942. Merrilands, State School No. 4826, plenum heating to four additional class-rooms, £1,795.—Bruce Sheet Metal Service.

1943. Mont Park, Mental Hospital, new electric light and power installation in Isolation Block, £761.—R. W. Hodgson and Co.

1944. Mont Park, Larundel Mental Hospital, staff location and paging system, £2,693 16s.—Philips Electrical Industries Pty. Ltd.

1945. Mont Park, Mental Hospital, hot-water systems and central heating in Isolation Block, £3,530.—W. S. Atherton and Co.

1946. Mont Park, Mental Hospital, supply and installation of oil-fired incinerator and relevant garbage handling equipment in central Boiler House, £6,622.—Goodrid Incinerator Co. Pty. Ltd.

1947. Neerim East, State School No. 3158, renovations to school and residence and new septic closets, £2,017.—W. J. Hay.

1948. Oakleigh, Technical School, new class-rooms, &c., £4,874.—A. V. Jennings Cons. Co. Pty. Ltd.

1949. Oakleigh, Technical School, heating for Trades wing extension, £300.—W. S. Atherton and Co.

1950. Officer, State School No. 2742, erection of two class-rooms, £3,175.—G. L. Mackie.

1951. Pascoe Vale, State School No. 3081, improvements to existing water service, £302 1s.—A. Crewther and Son Pty. Ltd.

1952. Port Campbell, Police Station, erection of timber-framed residence "A" type office, garage and fuel store, £6,480.—Pyers Bros.

1953. Sale, Technical School, renovation of Assembly Hall, £2,800.—K. D. Sewell.

1954. Violet Town, Police Station and residence, construction of laundry, closet and septic tank installation, and various minor works as per specification, £336 18s. 10d.—A. E. Ogdin and R. A. Beer.

1955. Walpeup, Research Station, erection of timber-framed residence and garage, £5,089.—S. Sandor.

1956. Walwa, Police Station, renovations, £676 10s.—J. Paulus and Son.

1957. Warrnambool, Mental Hospital, installation of ventilation system to main kitchen, £720.—Bruce Sheet Metal Service.

1958. Wilkur South, State School No. 4010, erection of shelter pavilion, £354.—W. E. White and Sons Pty. Ltd.

1959. Toorak, Central S.S. No. 3016, fire precautions, sprayed plaster to ceilings, &c., £360.—W. H. Cockram and Sons Pty. Ltd.

1960. Watsonia, High School, supply and installation of an effluent pump for septic tank, £265.—G. H. Curtis and Sons Pty. Ltd.

1961. Wonthaggi, Residence, State School No. 3650, 31 Broome-crescent, repairs and painting to residence, £515.—A. B. Shaw.

H. R. PETTY, Commissioner of Public Works. 11.12.61.

ORDERS IN COUNCIL.—(Series 1960-61.)
PUBLIC WORKS.

4461. Timboon High School, supply and erection of one (1) "Plymouth" P8-3 type residence, £4,686 3s. 2d.—W. Phelan and Sons Pty. Ltd. (S.W.280391.)

4462. Sunbury Mental Hospital, supply of sixty (60) pass locks and furniture, £564 15s.—J. Hubball Pty. Ltd. (N.W.275655.)

Approved by the Governor in Council, 12th December, 1961.—N. G. WISHART, Acting Clerk of the Executive Council.

ORDERS IN COUNCIL.—(Series 1961-62.)
STATE ELECTRICITY COMMISSION.

1962. For the supply of processed and unprocessed steel reinforcement for general construction requirements, for a period of one year, to Specification No. 61-62/42A, at schedule rates.—Steel Reinforcements Pty. Ltd.

Approved by the Governor in Council, 23th November, 1961.—N. G. WISHART, Acting Clerk of the Executive Council.

1963. For the purchase of land at the corner of Buckley and Price streets, Essendon, being lots 1, 2, 3 and 4, on plan of subdivision No. 18870, as site for sub-station, £14,500.—The Baptist Union of Victoria.

1964. For construction of concrete basement floor and ancillary works in Turbine House, Morwell Project, to Specification No. 61-62/17, at schedule rates.—Clements Langford Pty. Ltd.

1965. For the supply of one only crawler tractor and attachments for coal production, Yallourn, to Specification No. 60-61/329, £13,581.—William Adams Tractors Pty. Ltd.

1966. For the supply of concrete aggregate for construction of Terang Terminal Station, to Quotation No. 2116, at schedule rates.—S. Coleman and Sons Pty. Ltd.

1967. For the hire and operation of tip trucks and earth-moving plant, and supply of sand and filling material for construction of Terang Terminal Station, to Quotation No. 2116, at schedule rates.—W. G. Kidd and Co.

Approved by the Governor in Council, 5th December, 1961.—N. G. WISHART, Acting Clerk of the Executive Council.

Co-operation Act 1958.

DISSOLUTION OF SOCIETIES.

NOTICE is hereby given that I have this day registered the dissolution and cancelled the registration under the above-named Act of each of the societies named in the Schedule hereto.

Dated at Melbourne this fourteenth day of December, 1961.

E. T. EBBELS,
Registrar of Co-operative Societies.

SCHEDULE ABOVE REFERRED TO

Name of Society.	Number on Register.
Goat Dairymen's Co-operative Limited	120
Hampton Community Advancement and Development Co-operative Society Limited	108
Hawthorn Co-operative Credit Society Limited	103
Hayat Growers Co-operative Limited	127
Paint Suppliers Co-operative Limited	72
Stawell Co-operative Trading Society Limited	18
Y.A.F. Co-operative Limited	89

Melbourne and Metropolitan
BOARD OF WORKS.

NOTICE TO THE OWNERS OF TENEMENTS IN THE UNDERMENTIONED STREETS, AND THE PRIVATE STREETS, LANES, COURTS AND ALLEYS OPENING THERETO.

THE main pipe in the said streets being laid down, the owners of all tenements situated as under are hereby required, on or before the 22nd January, 1962, to cause a proper pipe and stop cocks to be laid so as to supply water within such tenements from the main pipe.

12th December, 1961.

H. J. SNADDEN,
Secretary.

STREET AND POSITION.

Altona.

Myrtle-street, from Lily-street westwards 11½ chains.
Railway-street south, from Rose-street to Rayner-street.
Rayner-street, from Railway-street south southwards 2½ chains.
Across-reserve, from Waratah-avenue to Kookaburra-street.
Kookaburra-street, from Dove-avenue westwards 7½ chains.
Dove-avenue, from Kookaburra-street northwards 4 chains.
Blyth-street, from Rayner-street to Upton-street.
Webb-street, from Blyth-street southwards 3 chains.
Clematis-avenue, from Kyle-road westwards 12 chains.
Braken-grove, from Waratah-avenue, south-westwards 7 chains.
Sussex-street, from Parkside-crescent to Cambridge-street.
Cambridge-street, from Sussex-street north-westwards 8½ chains.
Stirling-avenue, from Cambridge-street to Millers-road.
Millers-road, from Stirling-avenue south-westwards 7½ chains.
Millers-road, from Stirling-avenue north-eastwards 1½ chains.
Leicester-square, from Stirling-avenue southwards 3½ chains.
Sussex-street, from Millers-road eastwards 2½ chains.
Railway-street south, from Sargood-street to Pier-street.

Box Hill.

Elizabeth-street, from Woodhouse-grove northwards 3 chains.

Brighton.

Whyte-street, from Armfield-street southwards 5½ chains.
Leonie-court, from Halifax-street westwards 2½ chains.

Broadmeadows.

Willonga-street, from Amar-street westwards 6 chains.
Railway-crescent, from 1 chain north of Cuthbert-street northwards 13½ chains.

Camberwell.

Dempster-avenue, from Chelmsford-street north-westwards 2 chains.

Caulfield.

Bramerton-road, from Blake-street to Kambrook-road.
Seymour-avenue, from Neerim-road to Edgewood-street.
Hendra-court, from Seymour-road southwards 3 chains.
Jasmine-street, from Glenhantly-road to Larch-street.

Dandenong.

Mollison-drive, from Barbara-avenue to Sunline-avenue.
Irving-road, from Mollison-drive to Oakwood-avenue.
Heyington-crescent, from Mollison-drive to Oakwood-avenue.
Doonbrae-street, from Mollison-drive to Oakwood-avenue.
Sunline-avenue, from Oakwood-avenue southwards 11 chains.
Tudor-crescent, from Sunline-avenue westwards 2 chains.
Elmhurst-street, from Doonbrae-street to Heyington-crescent.
Garland-court, from Doonbrae-street eastwards 5 chains.
Springfield-court, from Heyington-crescent westwards 6 chains.
Oakwood-avenue, from Irving-road westwards 24½ chains.
Oakwood-avenue, from Irving-road eastwards 1 chain.
Thomas-street, from Foster-street southwards 8½ chains.

Doncaster.

Calderwood-street, from Ayr-street to Bruce-street.
Greendale-road, from Blackburn-road to Thomas-street.
Glenview-road, from Blackburn-road to Thomas-street.
Thomas-street, from Glenview-road to Greendale-road.

Heidelberg.

Graham-street, from Sylvia-street to Kiers-court.
Graham-street, from Sylvia-street southwards 1½ chains.
Kiers-court, from Graham-street westwards and south-westwards 6½ chains.

Malvern.

Peak-street, from Peverill-street to Nigel-street.
Meaden-street, from Craigmores st., north-eastwards 3 chains.
St. Martins-close, from Monaro-road north-eastwards 4½ chains.

Melbourne.

Tennyson-street, from Altona-street to Childer-street.
Childer-street, from Tennyson-street to Ormond-street.
Hotham-place, from Hotham-street northwards 2½ chains.

Nunawading.

Springvale-road, from Parkmore-road southwards 3½ chains.
Webb-court, from Nurlendi-road eastwards 3½ chains.

Oakleigh.

Fulton-street, from Colin-street westwards 9 chains.

Prahran.

Ultimo-place, from St. Georges-road westwards 6½ chains.
Lawson-grove, from Caroline-street eastwards 3½ chains.

Ringwood.

Reilly-street, from Jarra-ma-road eastwards 9 chains.

Springvale.

Marie-avenue, from Edinburgh-street westwards 8 chains.
Dowling-avenue, from Edinburgh-street westwards 8 chains.
Marlene-court, from Edinburgh-street westwards 8½ chains.
Phillip-avenue, from Police-road to Lee-avenue.
Phillip-avenue, from McWilliam-street northwards 15½ chains.
Sharon-street, from Hosken-street westwards 5½ chains.
Sharon-street, from Hosken-street eastwards 3½ chains.
Janine-road, from Noble-road westwards 10 chains.
Hosken-street, from Janine-road northwards 7½ chains.
Cyrene-street, from 4½ chains east of Corrigan-road eastwards 2½ chains.
Heather-grove, from Springvale-road to Stevens-street.

Waverley.

Glenwood-avenue, from 7 chains south of Waverley-road to Monterey-avenue.
Monterey-avenue, from Glenwood-avenue to Kauri-grove.
Kauri-grove, from Monterey-avenue to Melaleuca-drive.
Monterey-avenue, from Glenwood-avenue eastwards 6½ chains.
Melaleuca-drive, from Kauri-grove to Fraser-street.
Fraser-street, from Melaleuca-drive northwards 7½ chains.
Pamela-street, from Leonie-avenue to Sadie-street.
R.O.W. between Hamilton-place and Alexander-street, from Winbourne-road to Alexander-street.

Whittlesea.

Heyington-street, from Station-street to Marjory-street.
Geoffrey-street, from Heyington-street to Alexander-avenue.
Charles-street, from Heyington-street to Alexander-avenue.
Marcia-street, from Heyington-street northwards 1 chain.
Frederick-street, from Heyington-street to Alexander-avenue.
Edna-street, from Heyington-street to Alexander-avenue.
Marjory-street, from Heyington-street to Alexander-avenue.
David-street, from 11½ chains east of French-street eastwards 22 chains.
Munro-street, from David-street to William-street.
William-street, from Munro-street to Dalton-road.
Dalton-road, from William-street southwards 1½ chains.

MINES DEPARTMENT.

SUBJECT to any necessary excisions, &c., it is proposed to grant the following mining leases:—

- 9216, Ballarat; David John Henderson; 12a. 2r. 26p., Parish of Moorabool West.
7802, Mineral; Dandenong Quarries Pty. Ltd.; 89a. 1r. 14p., Parish of Narree Worran.
7956, Mineral; Gippsland Quarrying Co. Pty. Limited; 28a. 0r. 35p., Parish of Holey Plains.
8012, Mineral; The Mayor, Councillors and Citizens of the City of Preston; 4a. 1r. 14p., Parish of Wollert.

APPLICATION FOR LEASE DECLARED ABANDONED.

7442, Mineral; F. H. Hardingham and G. H. Hardingham; 167 acres, Parish of Paaratte.

W. J. MIBUS,
Minister of Mines.

COMPANIES ACT 1958.

STATEMENT of the Registrar of Companies in pursuance of section 246 (3) of the *Companies Act 1958* showing amounts paid into the Supreme Court, Melbourne, and the particular companies out of whose estates such amounts have been derived.

Date.	Name of Company.	Amount Paid into the Supreme Court.		
		£	s.	d.
26th June, 1961 ..	Bendigo Certified Milk Company Pty. Ltd.	212	16	0
10th July, 1961 ...	Freehold Investment and Banking Company of Australia Ltd.	4	10	0
25th July, 1961 ..	Metropolitan Realty Pty. Ltd.	4	10	0
27th September, 1961	General Land and Savings Co. Ltd.	29	10	0
27th September, 1961	Stanley Realty Company Pty. Ltd.	9	10	0
6th October, 1961 ..	Irving Real Estate Pty. Ltd.	41	10	0
6th October, 1961 ..	Ringwood Lands Pty. Ltd. . .	6	7	0
17th October, 1961..	Big Tableland (Cooktown) Tin No Liability	24	10	0
26th October, 1961..	Glen Waverley Subdivisions Pty. Ltd.	46	7	0

Dated this 15th day of December, 1961.

T. S. WELSH,
Registrar of Companies.

APPOINTMENT.

HIS Excellency the Governor of the State of Victoria, by and with the advice of the Executive Council thereof, has, by Order made on the 19th day of December, 1961, been pleased to make the under-mentioned appointment, viz.:—

DEPARTMENT OF WATER SUPPLY.
Waterworks Trust Commissioner.

JAMES GIBSON GREENHILL
to be a Commissioner of the Corryong Waterworks Trust from the date hereof until the 3rd November, 1963, subject to the provisions of the Water Acts.

N. G. WISHART,
Acting Clerk of the Executive Council.

At Government House,
Melbourne, 19th December, 1961.

APPOINTMENTS.

HIS Excellency the Governor of the State of Victoria, by and with the advice of the Executive Council thereof, has, by Orders made on the 12th day of December, 1961, been pleased to make the under-mentioned appointments, viz.:—

CHIEF SECRETARY'S DEPARTMENT.
Licensing Inspector.

WILLIAM RICHARD RENTON, Chief Inspector of Police, to be a Licensing Inspector for the purposes of the *Licensing Act 1958*.

DEPARTMENT OF CROWN LANDS AND SURVEY.
Land Officer.

DOMINIC JOSEPH YURCINA, an Officer of the Department of Crown Lands and Survey, to be a Land Officer in and for the State of Victoria.
A Duly Authorized Person to Grant a Right.

DOMINIC JOSEPH YURCINA, pursuant to section 165 of the *Land Act 1958*, to be a duly authorized person to grant to an applicant a right to occupy, as a residence area under the said Act, any Crown lands.

LAW DEPARTMENT.

Justices of the Peace.

CLIFFORD DEE DEAR, 114 Curdie-street, Cobden, to Keep the Peace in the Southern Bailiwick of the State of Victoria;

ALAN NICHOLSON PARKER, Tutye, to Keep the Peace in the Midland and Western Bailiwicks of the State of Victoria;

JOHN FRANCIS BUTLER, Wallan, to Keep the Peace in the Central Bailiwick of the State of Victoria; and

EDGAR MORRISON, Yandoit, to Keep the Peace in the Midland Bailiwick of the State of Victoria.

Commissioners for Taking Declarations, &c.

ARTHUR EDWARD NORMAN, 92 Warren-road, Mordialloc, JOHN WILLIAM GRIFFITHS, 12 Church-street, Hawthorn, THOMAS GEORGE FLORENCE, Moira-road, Kilsyth, and FREDERICK FRANCIS POND, 197 Bluff-road, Sandringham,

to be Commissioners for taking Declarations and Affidavits, pursuant to the provisions of the *Evidence Act 1958*, to resign upon removing from the neighbourhood of the addresses stated;

EUGENE STEELE SAINT, Staff Manager, Comalco Industries Pty. Ltd., 53-59 Flemington-road, North Melbourne,

BRUCE CLAYTON BIRD, Assistant Manager, Australian Fixed Trusts (Victoria) Ltd., 267 Collins-street, Melbourne, and

JOHN JACKSON SAWYER, Administration Officer, Dalgety and Company Limited, Geelong,

to be Commissioners for taking Declarations and Affidavits, pursuant to the provisions of the *Evidence Act 1958*, to resign upon ceasing to occupy their present positions; and

KENNETH HUGH BARTER,
FRANCIS LESLIE BERGIN,
LEONARD CHARLES BLACKLEY,
ALFRED SAMUEL DOWLING,
NOEL STEPHEN LINTON,
MICHAEL THOMAS MALADY,
WILLIAM CHARLES MEAGER, and
BERNARD O'FARRELL,

Officers of Department of Labour and Industry (Victoria), Melbourne,

to be Commissioners for taking Declarations and Affidavits, pursuant to the provisions of the *Evidence Act 1958*, to refrain from charging fees and to resign upon ceasing to be Officers of Department of Labour and Industry (Victoria).

Member of the Companies Auditors Board.

GARRETT ERNEST FITZGERALD

to be a Member of the Companies Auditors Board, in accordance with the provisions of section 5 (2) (a) (iii) of the *Companies Act 1958*, to hold office from the date of commencement of duty until 23rd February, 1963.

Clerks of the Children's Courts.

PHILIP JOHN RODDA

to be Clerk of the Children's Court at Wonthaggi, Cowes and Lang Lang, during the absence of I. L. Galagher on annual leave, to take effect from the date of commencement of duty; and

FREDERICK JOHN DUTHIE

to be Clerk of the Children's Court at Tallangatta, Corryong, Mitta Mitta and Walwa, during the absence of P. J. Livingstone on annual leave, to take effect from the date of commencement of duty.

DEPARTMENT OF THE TREASURER.

Collector of Imposts.

ERIC CHARLES WESTMORE

to act temporarily as Collector of Imposts, Government Printing Office, during the absence of R. D. Peters, on leave.

N. G. WISHART,
Acting Clerk of the Executive Council.

At Government House,
Melbourne, 12th December, 1961.

RESIGNATIONS.

HIS Excellency the Governor of the State of Victoria, by and with the advice of the Executive Council thereof, has, by Orders made on the 12th day of December, 1961, accepted the resignations of the persons named hereunder of the offices mentioned, viz.:—

CHIEF SECRETARY'S DEPARTMENT.

BRUCE WILMOTT ADAMS (the Reverend), as an Honorary Probation Officer, pursuant to the provisions of section 10 (1) of the *Children's Court Act 1958*, for the Children's Court at Box Hill, to date from and inclusive of the 1st of November, 1961.

LAW DEPARTMENT.

PHILIP UNWIN SIMPSON, as a Commissioner for taking Declarations and Affidavits, pursuant to the provisions of the *Evidence Act 1958*.

N. G. WISHART,
Acting Clerk of the Executive Council.

At Government House,
Melbourne, 12th December, 1961.

DEPARTMENT OF CROWN LANDS AND SURVEY.

At Government House, Melbourne, the
twelfth day of December, 1961.

PRESENT:

His Excellency the Governor of Victoria.
Mr. Bloomfield | Mr. Petty.

LAND TEMPORARILY RESERVED FOR AN
ADDITIONAL PURPOSE.

HIS Excellency the Governor of the State of Victoria, by and with the advice of the Executive Council thereof, doth hereby, in pursuance of the provisions of the *Land Act 1958*, reserve, temporarily, the land hereinafter described for an additional purpose:—

COBRAM.—49 acres 1 rood 21 perches, Parish of Cobram, County of Moira, being the balance remaining of the site temporarily reserved for a Racecourse by Order in Council of the 6th March, 1896, are hereby temporarily reserved for the additional purpose of Public Recreation.—(C.398⁽³⁾) (Rs.2162).

And the Honorable Keith Hector Turnbull, Her Majesty's Commissioner of Crown Lands and Survey for the State of Victoria, shall give the necessary directions herein accordingly.

N. G. WISHART,
Acting Clerk of the Executive Council.

DEPARTMENT OF CROWN LANDS AND SURVEY.

At Government House, Melbourne, the
twelfth day of December, 1961.

PRESENT:

His Excellency the Governor of Victoria.
Mr. Bloomfield | Mr. Petty.

REVOCATION OF PORTIONS OF TEMPORARY
RESERVATIONS OF LANDS BY ORDERS IN COUNCIL.

HIS Excellency the Governor of the State of Victoria, by and with the advice of the Executive Council thereof, doth hereby, in pursuance of the provisions of the *Land Act 1958*, revoke portions of the temporary reservations of lands by Orders in Council hereinafter referred to, viz.:—

CASTLE DONNINGTON.—Order in Council of 25th August, 1890, of 9 acres 2 roods 16 perches, more or less, of land in the Parish of Castle Donnington as a site for Railway purposes, so far only as regards the portion thereof comprised within the boundaries published in the *Government Gazette* of 15th November, 1961, and containing 8 acres, more or less.—(Rs.2353.)

TYRENDARRA.—Orders in Council of 7th September, 1903, and 6th July, 1948, of 6 acres 0 roods 34 perches and 1 acre of land in the Township of Tyrendarra as a site for Public Recreation, so far only as regards the respective portions thereof comprised within the boundaries published in the *Government Gazette* of 15th November, 1961, and containing 4 perches and 8 perches.—(Rs.5268.)

TYRENDARRA.—Order in Council of 6th April, 1914, of 1 rood 39 8/10 perches of land in the Township of Tyrendarra as a site for a Public Hall, so far only as regards the portion thereof comprised within the boundaries published in the *Government Gazette* of 15th November, 1961, and containing 16 perches.—(Rs.5269.)

And the Honorable Keith Hector Turnbull, Her Majesty's Commissioner of Crown Lands and Survey for the State of Victoria, shall give the necessary directions herein accordingly.

N. G. WISHART,
Acting Clerk of the Executive Council.

DEPARTMENT OF CROWN LANDS AND SURVEY.

At Government House, Melbourne, the
twelfth day of December, 1961.

PRESENT:

His Excellency the Governor of Victoria.
Mr. Bloomfield | Mr. Petty.

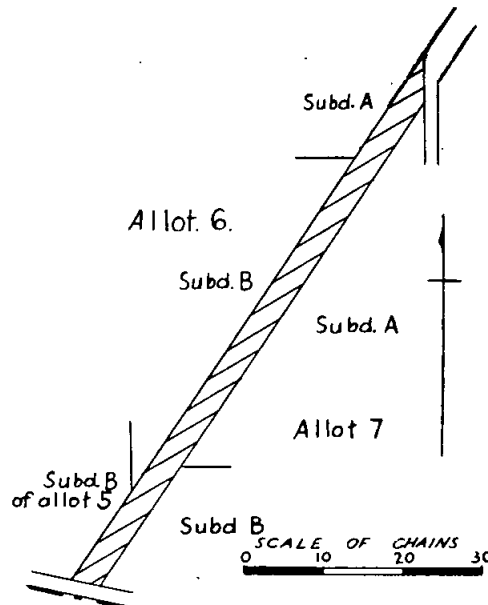
UNUSED ROADS CLOSED.

HIS Excellency the Governor of the State of Victoria, by and with the advice of the Executive Council thereof, doth hereby direct that, in pursuance of the provisions of section 349 of the *Land Act 1958*, the unused roads referred to hereunder be closed, viz.:—

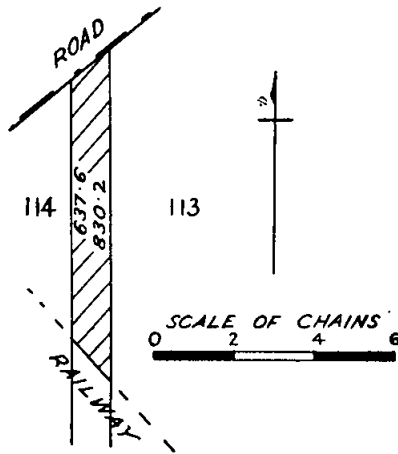
Township of Ballaarat, Parish of Ballaarat, County of Grenville, being the road between allotment 4 and allotment 5, section 44.—(B.128⁽¹⁴⁾) (J.30441).

Parish of Ondit, County of Grenville, being the road between subdivision A of allotment 85 and subdivision A of allotment 86.—(O.6⁽⁴⁾) (G.66374).

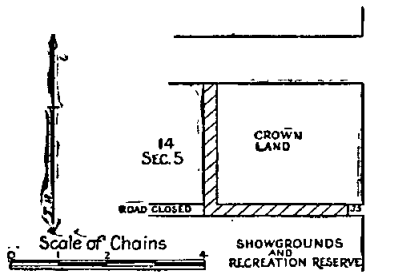
Parish of Caralulup, County of Talbot, being the road indicated by hachure on plan hereunder.—(C.356⁽⁵⁾) (J.28018).



Parish of Kornong, Count of Hampden, being the road indicated by hachure on plan hereunder.—K.110(*) (G.66113).



Township of Rainbow, Parish of Werrap, County of Weeah, being the road indicated by hachure on plan hereunder.—(R.89*) (M.33650).



And the Honorable Keith Hector Turnbull, Her Majesty's Commissioner of Crown Lands and Survey for the State of Victoria, shall give the necessary directions herein accordingly.

N. G. WISHART,
Acting Clerk of the Executive Council.

WEIGHTS AND MEASURES ACT 1958.

At Government House, Melbourne, the twelfth day of December, 1961.

PRESENT:

His Excellency the Governor of Victoria.

Mr. Bloomfield | Mr. Petty.

WHEREAS by the *Weights and Measures Act 1958* it is amongst other things enacted that the provisions of Division 3 of Part V. of the *Weights and Measures Act 1958* shall apply within any municipality or portion thereof to which the said provisions are extended by Order of the Governor in Council published in the *Government Gazette*:

Now therefore His Excellency the Governor of the State of Victoria, in the Commonwealth of Australia, by and with the advice of the Executive Council of the said State, and in pursuance of the powers conferred by the *Weights and Measures Act 1958* and all other powers him thereunto enabling, doth by this Order extend the provisions of Division 3 of Part V. of the *Weights and Measures Act 1958* to the Shire of Hastings.

And the Honorable Arthur Gordon Rylah, Her Majesty's Chief Secretary for the State of Victoria, shall give the necessary directions herein accordingly.

N. G. WISHART,
Acting Clerk of the Executive Council.

LOCAL GOVERNMENT DEPARTMENT.

At Government House, Melbourne, the twelfth day of December, 1961.

PRESENT:

His Excellency the Governor of Victoria.

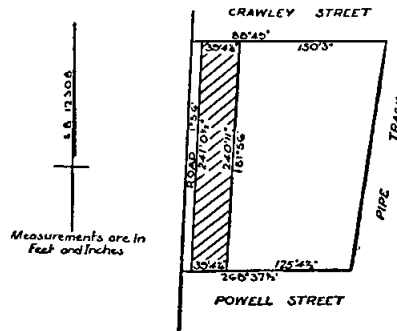
Mr. Bloomfield | Mr. Petty.

ROAD DISCONTINUED.—CITY OF PRESTON.

WHEREAS it is provided in section 528 (2) of the *Local Government Act 1958*, as amended, that where a road (whether or not a public highway but not being a road set out on land of the Crown) or any part thereof is not required for public use, the Governor in Council, on the request of the council of the municipality in which such road is situated, made not less than one month after publishing in a newspaper generally circulating in the district and posting to the registered proprietor (if any) of the land and any person known to have an interest in the land notice of intention to make such a request, may, by Order published in the *Government Gazette*, direct that such road or part shall be discontinued and thereupon such road or part shall be discontinued accordingly:

And whereas the Council of the City of Preston has requested that the Governor in Council direct that a right of way between Crawley-street and Powell-street be discontinued, and, not less than one month previously, has published in a newspaper generally circulating in the district and posted to the registered proprietor of the land in the road and to all persons known to have an interest in the said road notice of intention to make such request:

Now, therefore, His Excellency the Governor of the State of Victoria, by and with the advice of the Executive Council thereof, hereby directs that the said road, which is shown by hachure on the plan hereunder shall be discontinued and that the land and soil thereof may be sold by the Council of the City of Preston by agreement.



And the Honorable Murray Victor Porter, Her Majesty's Minister for Local Government for the State of Victoria, shall give the necessary directions herein accordingly.

N. G. WISHART,
Acting Clerk of the Executive Council.

LOCAL GOVERNMENT DEPARTMENT.

At Government House, Melbourne, the twelfth day of December, 1961.

PRESENT:

His Excellency the Governor of Victoria.

Mr. Bloomfield | Mr. Petty.

ALTERATION OF TIME FOR CLOSING POLL AT MUNICIPAL ELECTIONS, SHIRE OF WHITTLESEA.

HIS Excellency the Governor of the State of Victoria, by and with the advice of the Executive Council thereof, in pursuance of the powers conferred by section 134 of the *Local Government Act 1958*, as amended, and in compliance with the prayer of a petition presented by the Council of the Shire of Whittlesea hereby declares that the hour for closing the poll at municipal elections for the said Shire shall be Eight o'clock in the afternoon.

And the Honorable Murray Victor Porter, Her Majesty's Minister for Local Government for the State of Victoria, shall give the necessary directions herein accordingly.

N. G. WISHART,
Acting Clerk of the Executive Council.

LOCAL GOVERNMENT DEPARTMENT.

At Government House, Melbourne, the twelfth day of December, 1961.

PRESENT:

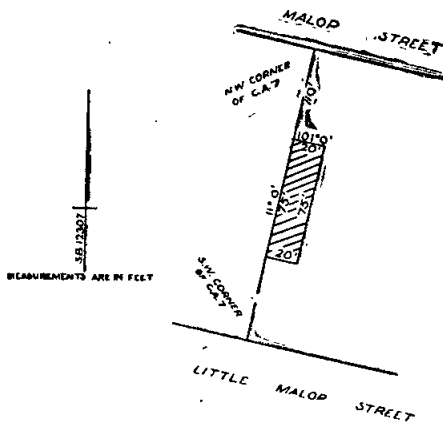
His Excellency the Governor of Victoria.
Mr. Bloomfield | Mr. Petty.

ROAD DISCONTINUED.—CITY OF GEELONG.

WHEREAS it is provided in section 528 (2) of the *Local Government Act 1958*, as amended, that where a road (whether or not a public highway but not being a road set out on land of the Crown) or any part thereof is not required for public use, the Governor in Council, on the request of the council of the municipality in which such road is situated, made not less than one month after publishing in a newspaper generally circulating in the district and posting to the registered proprietor (if any) of the land and any person known to have an interest in the land notice of intention to make such a request, may, by Order published in the *Government Gazette*, direct that such road or part shall be discontinued and thereupon such road or part shall be discontinued accordingly:

And whereas the Council of the City of Geelong has requested that the Governor in Council direct that portion of a road off Board-place north, Geelong, be discontinued, and, not less than one month previously, has published in a newspaper generally circulating in the district and posted to the registered proprietor of the land in the road and to all persons known to have an interest in the said road notice of intention to make such request:

Now, therefore, His Excellency the Governor of the State of Victoria, by and with the advice of the Executive Council thereof, hereby directs that the portion of the said road, which is shown by hachure on the plan hereunder shall be discontinued and that the land and soil thereof may be sold by the Council of the City of Geelong by agreement:



And the Honorable Murray Victor Porter, Her Majesty's Minister for Local Government for the State of Victoria, shall give the necessary directions herein accordingly.

N. G. WISHART,
Acting Clerk of the Executive Council.

LOCAL GOVERNMENT DEPARTMENT.

At Government House, Melbourne, the twelfth day of December, 1961.

PRESENT:

His Excellency the Governor of Victoria.
Mr. Bloomfield | Mr. Petty.

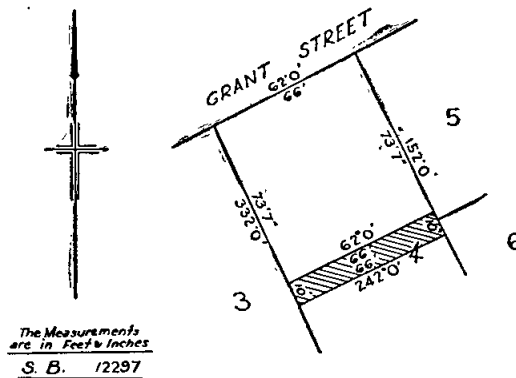
ROAD DISCONTINUED.—CITY OF SOUTH MELBOURNE.

WHEREAS it is provided in section 528 (2) of the *Local Government Act 1958*, as amended, that where a road (whether or not a public highway but not being a road set out on land of the Crown) or any part thereof is not required for public use, the Governor in Council, on the request of the council of the municipality in which such

road is situated, made not less than one month after publishing in a newspaper generally circulating in the district and posting to the registered proprietor (if any) of the land and any person known to have an interest in the land notice of intention to make such a request, may, by Order published in the *Government Gazette*, direct that such road or part shall be discontinued and thereupon such road or part shall be discontinued accordingly:

And whereas the Council of the City of South Melbourne requested that the Governor in Council direct that Right-of-Way No. 387, South Melbourne, be discontinued, and has published in a newspaper circulating in the district and posted to the registered proprietor of the land in the street and to all persons known to have an interest in the street, notice of intention to make such request:

Now, therefore, His Excellency the Governor of the State of Victoria, by and with the advice of the Executive Council thereof, hereby directs that the said road, which is shown by hachure on the plan hereunder, shall be discontinued and that the land and soil thereof may be sold by the Council of the City of South Melbourne by agreement.



And the Honorable Murray Victor Porter, Her Majesty's Minister for Local Government for the State of Victoria shall give the necessary directions herein accordingly.

N. G. WISHART,
Acting Clerk of the Executive Council.

COUNTRY ROADS BOARD.

At Government House, Melbourne, the twelfth day of December, 1961.

PRESENT:

His Excellency the Governor of Victoria.
Mr. Bloomfield | Mr. Petty.

ORDER APPROVING OF WIDENING AN EXISTING MAIN ROAD IN THE CITY OF HEIDELBERG.

WHEREAS the Country Roads Board constituted under the *Country Roads Act 1958* (No. 6229) has represented to His Excellency the Governor in Council that it appears to it desirable that the existing Main Heidelberg-Eltham road in the City of Heidelberg (declared to be a main road under the said Act which declaration was confirmed by the Order in Council published in the *Government Gazette* of the 18th March, 1914, on page 1349) should be widened by the said Board: And whereas the said Board in accordance with the requirements of section 19 of the said cited Act has caused to be prepared a map plan and estimate showing the points between which and on and through what land the said widening is proposed to be made and the cost of acquiring the land: And whereas on an inspection of the said map and plan and a consideration of the said estimate His Excellency the Governor in Council is satisfied that there are funds legally available for acquiring the land: Now therefore be it known by this present Order that His Excellency the Governor of the State of Victoria with the advice of the Executive Council thereof doth hereby approve of the said road being widened, that is to say:—

All that piece of land in the Parish of Keelbundora, the boundaries of which are as follow:—Commencing at the southern angle of lot 30 on plan of subdivision num-

bered 12556, lodged in the Office of Titles, and being part of portion 6 of the said parish; thence by lines bearing respectively 316 deg. 11 min. 20 feet, 46 deg. 11 min. 245 ft. 5½ in., 89 deg. 47 min. 29 feet and 226 deg. 11 min. 266 ft. 5½ in. to the point of commencement—which said piece of land is particularly delineated and shown coloured red on survey plan numbered 8374, lodged in the office of the Country Roads Board.

And the Honorable Horace Rostill Petty, Her Majesty's Commissioner of Public Works for the State of Victoria, shall give the necessary directions herein accordingly.

N. G. WISHART,
Acting Clerk of the Executive Council.

COUNTRY ROADS BOARD.

*At Government House, Melbourne, the
twelfth day of December, 1961.*

PRESENT:

His Excellency the Governor of Victoria,
Mr. Bloomfield | Mr. Petty.

ORDER APPROVING OF WIDENING AN EXISTING TOURISTS' ROAD IN THE SHIRE OF MANSFIELD.

WHEREAS the Country Roads Board constituted under the *Country Roads Act 1958* (No. 6229) has represented to His Excellency the Governor in Council that it appears to it desirable that the existing Mount Buller-road in the Shire of Mansfield (declared to be a tourists' road under the said Act which declaration

was confirmed by the Order in Council published in the *Government Gazette* of the 23rd August, 1939, on page 2911) should be widened by the said Board: And whereas the said Board in accordance with the requirements of sections 19 and 88 of the said cited Act has caused to be prepared a map plan and estimate showing the points between which and on and through what land the said widening is proposed to be made and the cost of acquiring the land: And whereas on an inspection of the said map and plan and a consideration of the said estimate His Excellency the Governor in Council is satisfied that there are funds legally available for acquiring the land: Now therefore be it known by this present Order that His Excellency the Governor of the State of Victoria with the advice of the Executive Council thereof doth hereby approve of the said road being widened, that is to say:—

All that piece of land in the Parish of Changue, the boundaries of which are as follow:—Commencing at the south-western angle of allotment 9, section A, of the said parish; thence by lines bearing respectively 274 deg. 36 min. 481.9 links, 87 deg. 7 min. 564.2 links, 78 deg. 58 min. 4333.9 links, 187 deg. 2 min. 52.6 links and 258 deg. 58 min. 4,412 links to the point of commencement—which said piece of land is particularly delineated and shown coloured red and yellow on survey plan numbered 8271, lodged in the office of the Country Roads Board.

And the Honorable Horace Rostill Petty, Her Majesty's Commissioner of Public Works for the State of Victoria, shall give the necessary directions herein accordingly.

N. G. WISHART,
Acting Clerk of the Executive Council.

TRANSPORT REGULATION ACT 1958.

*At Government House, Melbourne, the
twelfth day of December, 1961.*

PRESENT:

His Excellency the Governor of Victoria,
Mr. Bloomfield | Mr. Petty.

TRANSPORT CONSOLIDATED REGULATIONS 1960.—AMENDMENTS TO REGULATIONS.

IN pursuance of the powers conferred by the *Transport Regulation Act 1958*, His Excellency the Governor of Victoria, by and with the advice of the Executive Council thereof, doth hereby amend the Transport Consolidated Regulations 1960, by amending and adding to Regulations in Part III. of the said Regulations, viz:—

- (1) For Regulation 1 of Part III. there shall be substituted:

“ Possession and Exhibition of Certificates by Drivers.

1. A vehicle shall not be driven by any person while not in possession of a certificate issued by the Board authorizing such person to drive a vehicle of such licence classification.

1A. The owner of a vehicle shall, if so required by the Board, fit or cause to be fitted in the vehicle a metal framed container of such dimensions and in such a position as the Board directs in order to hold that certificate and to exhibit it so that the photograph of the driver affixed to and the serial number imprinted on that certificate can clearly be seen and read by passengers in that vehicle.

1B. The driver of a vehicle shall, if so required by the Board, when in charge of that vehicle exhibit such certificate by placing it in the container provided therefor and any certificate so exhibited shall be deemed to be in the possession of that driver.”

- (2) At the commencement of Regulation 2 of Part III. there shall be added:

“ Unless the Board directs otherwise,”.

And the Honorable Arthur George Warner, Her Majesty's Minister of Transport for the State of Victoria, shall give the necessary directions herein accordingly.

N. G. WISHART,
Acting Clerk of the Executive Council.

Health Act 1958 (No. 6270).
DEPARTMENT OF HEALTH, VICTORIA.—COMMISSION OF PUBLIC
HEALTH.

*At Government House, Melbourne, the
twelfth day of December, 1961.*

PRESENT:

His Excellency the Governor of Victoria.

Mr. Bloomfield | Mr. Petty.

REGULATIONS AMENDING THE MEAT SUPERVISION REGULATIONS 1961.

UNDER the powers conferred by the *Health Act 1958 (No. 6270)* and all other powers enabling him in that behalf, His Excellency the Governor of the State of Victoria, by and with the advice of the Executive Council of the said State, doth hereby make the Regulations following (that is to say):—

1. These Regulations may be cited as the "Amending Meat Supervision Regulations 1961 (No. 2)" and shall come into operation on the 1st January, 1962.

2. For Sub-regulation (4) of Regulation 43 of the Meat Supervision Regulations 1956 there shall be substituted the following sub-regulation:—

“(4) The charge for each brand rented to a Council shall be—

- (a) in the case of a brand to be used for branding a carcass of lamb, Three pounds per calendar year or part thereof; and
- (b) in the case of any other branch, Fifteen shillings per calendar year or part thereof.”

And the Honorable Ronald William Mack, Her Majesty's Minister of Health for the State of Victoria, shall give the necessary directions herein accordingly.

N. G. WISHART,
Acting Clerk of the Executive Council.

EDUCATION ACT 1958.

*At Government House, Melbourne, the
twelfth day of December, 1961.*

PRESENT:

His Excellency the Governor of Victoria.

Mr. Bloomfield | Mr. Petty.

ADULT EDUCATION REGULATIONS (1961), No. 3.

PURSUANT to the powers conferred on him by the *Education Act 1958* and all other powers enabling him thereunto enabling, His Excellency the Governor of the State of Victoria, by and with the advice of the Executive Council of the said State, doth hereby make the Regulations following, that is to say:—

1. These Regulations may be cited as the Adult Education Regulations (1961) No. 3, and shall be read and construed as one with the Adult Education Regulations (1955) (hereinafter called the Principal Regulations).

2. For Regulation 7 (iii) of the Principal Regulations there shall be substituted the following Regulation:—

“7. (iii) The remuneration of the Secretary shall be in accordance with Scale A in the First Schedule, appointment to be made within the scale, according to qualifications and experience. Subject to satisfactory service, annual increments shall be payable to the Secretary. Such annual increments shall conform to the salaries provided for subdivisions of classes in the First Schedule.”

And the Honorable John Stoughton Bloomfield, Her Majesty's Minister of Education for the State of Victoria, shall give the necessary directions herein accordingly.

N. G. WISHART,
Acting Clerk of the Executive Council.

CASTERTON SEWERAGE AUTHORITY.

At Government House, Melbourne, the
nineteenth day of December, 1961.

PRESENT:

His Excellency the Governor of Victoria.
Sir Arthur Warner | Mr. Meagher.

APPROVAL OF SITES OF OUTFALL SEWER, TREATMENT WORKS, EFFLUENT OUTFALL AND CARRIAGEWAY AND CONSENT TO ACQUISITION OF LAND.

UNDER the powers conferred by the Sewerage Districts Acts and all other powers enabling him in that behalf, His Excellency the Governor of the State of Victoria, by and with the advice of the Executive Council of the said State, doth hereby consent to the construction of outfall sewer, sewage treatment works, effluent outfall and carriageway on the lands described in the Schedule hereto and to the acquisition of the land described in Portion II. of the Schedule hereto for the said treatment works.

SCHEDULE.

Portion I.—Site of Outfall Sewer.

Commencing at a point on the northern boundary of Crown allotment 3, section 18A, Parish of Casterton, County of Follett, such point being approximately 405.4 links westerly from the north-eastern angle of the said Crown allotment 3, being also a point on the southern boundary of the existing Sewerage District, and being a point on the centreline of the outfall sewer; thence generally southerly and easterly by a strip of land 50 links in width being 25 links on each side of the centreline of the said outfall sewer through the said Crown allotment 3, across a road and through Crown allotments 5 and 6 to a point on the western boundary of the treatment works as described in Portion II.

Portion II.—Site of Treatment Works.

Commencing at the south-western angle of Crown allotment 6, section 18A, Parish of Casterton, County of Follett; thence by lines bearing north 1 degree 24 minutes west a distance of 501.9 links and north 88 degrees 32 minutes east a distance of 1,495 links to a point in the said Crown allotment 6 being the south-western angle of the Site of Treatment Works; thence through the said Crown allotment 6 by lines bearing north 1 degree 28 minutes west a distance of 1,492 links, north 88 degrees 32 minutes east a distance of 1,176.5 links, south 1 degree 28 minutes east a distance of 1,492 links, south 88 degrees 32 minutes west a distance of 1,176.5 links to the aforesaid south-western angle of the Site of Treatment Works.

Portion III.—Site of Carriageway Easement.

Commencing at a point on the western boundary of Crown allotment 6, section 18A, Parish of Casterton, County of Follett, such point being distant 526.9 links northerly from the south-western angle of the said Crown allotment 6 and being a point on the centreline of the carriageway easement; thence by a strip of land 50 links in width being 25 links on each side of the said centreline through the said Crown allotment 6 by a line bearing north 88 degrees 32 minutes east a distance of 1,495 links to a point on the western boundary of the Site of Treatment Works as described in Portion IV.

Portion IV.—Site of Effluent Outfall.

Commencing at the north-eastern angle of the site of Treatment Works as described in Portion II. being a point in Crown allotment 6, section 18A, Parish of Casterton, County of Follett, and being a point on the centreline of the effluent outfall; thence by a strip of land 50 links in width being 25 links on each side of the centreline of the said effluent outfall through the said Crown allotment 6 by a line bearing north 75 degrees 0 minutes east a distance of approximately 1,175 links to a point on the right bank of the Glenelg River.

All of which lands are shown on a plan approved by the Governor in Council and deposited in the office of the State Rivers and Water Supply Commission, Melbourne.—(Corr. 59/1241/71.)

And the Honorable Wilfred John Mibus, Her Majesty's Minister of Water Supply for the State of Victoria, shall give the necessary directions herein accordingly.

N. G. WISHART,
Acting Clerk of the Executive Council.

YARRAM SEWERAGE AUTHORITY.

At Government House, Melbourne, the
nineteenth day of December, 1961.

PRESENT:

His Excellency the Governor of Victoria.
Sir Arthur Warner | Mr. Meagher.

CONSENT TO BORROWING £40,000.

UNDER the powers conferred by the Sewerage Districts Acts and all other powers enabling him in that behalf, His Excellency the Governor of the State of Victoria, by and with the advice of the Executive Council of the said State, doth hereby consent to the Yarram Sewerage Authority borrowing by the assignment of the General Fund the sum of Forty thousand pounds (£40,000) to meet the cost of sewerage works as set forth in the detailed statement bearing date the 15th December, 1961.

And the Honorable Wilfred John Mibus, Her Majesty's Minister of Water Supply for the State of Victoria, shall give the necessary directions herein accordingly.

N. G. WISHART,
Acting Clerk of the Executive Council.

DIMBOOLA SEWERAGE AUTHORITY.

At Government House, Melbourne, the
nineteenth day of December, 1961.

PRESENT:

His Excellency the Governor of Victoria.
Sir Arthur Warner | Mr. Meagher.

CONSENT TO BORROWING £5,000.

UNDER the powers conferred by the Sewerage Districts Acts and all other powers enabling him in that behalf, His Excellency the Governor of the State of Victoria, by and with the advice of the Executive Council of the said State, doth hereby consent to the Dimboola Sewerage Authority borrowing by the assignment of the General Fund the sum of Five thousand pounds (£5,000) to meet the cost of sewerage works as set forth in the detailed statement bearing date the 15th December, 1961.

And the Honorable Wilfred John Mibus, Her Majesty's Minister of Water Supply for the State of Victoria, shall give the necessary directions herein accordingly.

N. G. WISHART,
Acting Clerk of the Executive Council.

PORTLAND SEWERAGE AUTHORITY.

At Government House, Melbourne, the
nineteenth day of December, 1961.

PRESENT:

His Excellency the Governor of Victoria.
Sir Arthur Warner | Mr. Meagher.

DISTRICT EXTENDED AND REDEFINED.

UNDER the powers conferred by the Sewerage Districts Acts and all other powers enabling him in that behalf, His Excellency the Governor of the State of Victoria, by and with the advice of the Executive Council of the said State, doth hereby declare, order and direct as follows:—

That the Sewerage District of the Portland Sewerage Authority be extended and that the boundary of such District be redefined as described in the Schedule hereto and as on and from the date hereof the extent of such District shall be deemed to be increased accordingly.

SCHEDULE.

Commencing at the easternmost angle of lot 43 on lodged plan of subdivision No. 12042, being a point on the north-eastern boundary of Crown allotment 41, section III, Parish of Portland, County of Normanby; thence north-easterly by a line being the continuation of the south-eastern boundary of the said lot 43 through the Foreshore Reserve to a point on the shoreline of Portland Bay; thence south-easterly, southerly and easterly along

the said shoreline of Portland Bay to a point on a line parallel to and distant 280 links south-easterly from the South-eastern boundary of Hughes-street, Town of Portland; thence south-westerly by the said line parallel to and distant 280 links south-easterly from the said south-eastern boundary of Hughes-street through the Foreshore Reserve and through Crown allotment 33, section D, across a road, through Crown allotment 34, across a road, through Crown allotments 35, 36 and 37 to a point on the western boundary of the said Crown allotment 37; thence westerly by a line across Wellington-road to a point on the eastern boundary of Crown allotment 43A being a point on a line parallel to and distant 250 links southerly from the northern boundary of the said Crown allotment 43A; thence westerly by the said line parallel to and distant 250 links southerly from the northern boundary of the said Crown allotment 43A through the said Crown allotment 43A to the north-eastern angle of lot 29 on lodged plan of subdivision No. 6243; thence southerly along the eastern boundaries of the said lot 29 and lot 30 by a line across a road and along the eastern boundaries of lots 46, 66, 67 and 68 to the south-eastern angle of the said lot 68; thence westerly along the southern boundaries of the said lot 68 and lot 69 to the south-western angle of the said lot 69; thence northerly along the western boundaries of the said lot 69 and of lots 70, 71 and 43 and by a line across a road and along the western boundaries of lots 32 and 33 to the north-western angle of the said lot 33; thence westerly by a line parallel to and distant 250 links southerly from the southern boundary of Edgar-street through the aforesaid Crown allotment 43A and Crown allotments 51B, 52H, 52c and 52b to its intersection with a line parallel to and distant 212.1 links south-easterly from the south-eastern boundary of Cape Nelson-road; thence south-westerly by the said line parallel to and distant 212.1 links south-easterly from the south-eastern boundary of Cape Nelson-road through the aforesaid Crown allotment 52b and Crown allotment 52b to a point on the southern boundary of the said Crown allotment 52b; thence westerly along the said southern boundary of Crown allotment 52b to its south-western angle; thence westerly by a line across Cape Nelson-road to the south-eastern angle of Crown allotment 60J; thence north-westerly by a line at right angles to the southernmost boundary of the said Crown allotment 60J to its intersection with a line parallel to and distant 227 links north-westerly from the north-western boundary of Cape Nelson-road; thence north-westerly by the said line parallel to and distant 227 links north-westerly from the said north-western boundary of Cape Nelson-road through the said Crown allotment 60J and Crown allotment 60K to a point distant 152 links southerly from the northern boundary of the said Crown allotment 60K; thence northerly by a line parallel to the western boundary of Crown allotment 60K through the said Crown allotment 60K to a point on its northern boundary; thence westerly along the said northern boundary of Crown allotment 60K to a point in line with the western boundary of Crown allotment 56A; thence northerly by a line across Edgar-street to the south-western angle of the said Crown allotment 56A; thence northerly along the said western boundary of Crown allotment 56A and Crown allotment 56, by a line across a road and along the western boundary of Crown allotment 57 to its north-western angle; thence north-westerly by a line across a Reserve for Public Purposes to a point on the southern boundary of Glenelg-street in line with the western boundary of Hurd-street; thence westerly along the said southern boundary of Glenelg-street and by a line being the continuation thereof through a Drainage Reserve to a point on a line parallel to and distant 485 links westerly from the western boundary of Cameron-street; thence northerly by the said line parallel to and distant 485 links westerly from the western boundary of Cameron-street through the aforesaid Drainage Reserve across a road through lots 5, 4, 3, 2 and 1, section 42b to a point on the northern boundary of the said lot 1; thence westerly along the northern boundary of the said lot 1 to its north-western angle and by a line across a road to the north-eastern angle of Crown allotment 10, section 4A; thence northerly by a line across Julia-street west to the south-eastern angle of Crown allotment 9, section 7A; thence northerly along the eastern boundary of the said Crown allotment 9 to its north-eastern angle; thence north-westerly along the southern boundaries of section 6A to the south-western angle of the said section 6A; thence south-westerly along the western boundaries of Crown allotments 1 and 2, section 7A to the westernmost angle of the said Crown allotment 2; thence south-westerly by a line across Julia-street west to the northernmost angle of Crown allotment 8, section 4A; thence south-westerly along the north-western boundary of the said Crown allotment 8 to its westernmost angle; thence north-westerly along the northern boundary of Crown allotment 68a, section D,

to its northernmost angle; thence north-westerly by a line across a road to the south-eastern angle of Crown allotment 4, section 3A; thence westerly along the southern boundary of the said lot 4 and by a line being the continuation thereof across West Boundary-road to a point on the eastern boundary of a Public Park Reserve, Parish of Portland; thence northerly along the eastern boundary of the said Reserve to its north-eastern angle; thence westerly along the northern boundary of the said Reserve to a point in line with the eastern boundary of Crown allotment 22, section VIA; thence northerly by the said line across a road to the south-eastern angle of the said Crown allotment 22; thence northerly along the eastern boundary of the said Crown allotment 22 and by a line being the continuation thereof through Crown allotments 21, 20, 19, 18 and 17 to the south-eastern angle of Crown allotment 15; thence northerly along the eastern boundary of the said Crown allotment 15 and by a line being the continuation thereof across a road to a point on the southern boundary of a Water and Camping Reserve; thence easterly along the said southern boundary of a Water and Camping Reserve and by a line being the continuation thereof across a road to the south-western angle of Crown allotment 32, section VIA; thence northerly along the western boundary of the said Crown allotment 32 a distance of 227 links; thence south-easterly by a line parallel to the southern boundaries of Crown allotments 32 and 33 through the said lots 32 and 33 to a point on the western boundary of West Boundary-road; thence northerly along the said western boundary of West Boundary-road to its intersection with a line being the continuation of the southern boundary of Crown allotment 47, section III.; thence easterly by the said line across West Boundary-road, along the southern boundary of the said Crown allotment 47 by a line across a road and along the southern boundaries of Crown allotments 38 and 39 to a point being 500 links westerly from the south-eastern angle of the said Crown allotment 39; thence northerly by a line at right angles to the southern boundary of the said Crown allotment 39 for a distance of 242 links; thence easterly by a line parallel to the said southern boundary of Crown allotment 39 through the said Crown allotment 39 to a point on its eastern boundary; thence easterly by a line across a road to the north-western angle of lot 3, Crown allotment 40, on lodged plan of subdivision No. 12042; thence easterly along the northern boundaries of the said lot 3 and lots 8, 10, 12, 14, 16, 18, 20, 22, 24, 26 and 28 to the north-eastern angle of the said lot 28; thence northerly along the eastern boundary of lot 27, Crown allotment 40 to its north-eastern angle; thence north-easterly by a line across a road to the easternmost angle of the said lot 43, being the point of commencement.

All of which boundaries are shown on a plan approved by the Governor in Council and deposited in the office of the State Rivers and Water Supply Commission, Melbourne.— (Corres. 59/915/61.)

And the Honorable Wilfred John Mibus, Her Majesty's Minister of Water Supply for the State of Victoria, shall give the necessary directions herein accordingly.

N. G. WISHART,
Acting Clerk of the Executive Council.

LOWAN SHIRE WATERWORKS TRUST.

At Government House, Melbourne, the nineteenth day of December, 1961.

PRESENT:

His Excellency the Governor of Victoria.
Sir Arthur Warner | Mr. Meagher.

EXTENT OF DISTRICT DIMINISHED AND ALTERATION IN THE CONSTITUTION OF THE TRUST.

UNDER the powers conferred by the Water Acts and all other powers enabling him in that behalf, His Excellency the Governor of the State of Victoria, by and with the advice of the Executive Council of the said State, doth hereby declare, order and direct as follows:—

(a) That the extent of the Waterworks District of the Lowan Shire Waterworks Trust be diminished by excising therefrom the lands within the boundaries described in the Schedule hereto and as on and from first day of January, 1962, the extent of the said Waterworks District shall be deemed to be diminished accordingly.

(b) That as on and from the first day of January, 1962, all the assets, liabilities and properties of the Lowan Shire Waterworks Trust in connexion with the land described in the Schedule hereto shall be and do hereby become the assets, liabilities and properties of the Dimboola Shire Council.

(c) That as on and from the first day of January, 1962, the Commissioners of the said Trust shall comprise the Councillors for the time being of the East, West and South Ridings of the Shire of Lowan together with one other person.

—
SCHEDULE.

Commencing at the north-western angle of Crown allotment 14, Parish of Perenna, County of Lowan, being a point on the northern boundary of the existing Waterworks District and being a point on the eastern boundary of a north-south road; thence generally southerly along the said eastern boundary of a road to the south-western angle of Crown allotment 64, Parish of Lorquon; thence easterly along the southern boundaries of the said Crown allotment 64 and of Crown allotment 28, Parish of Babatchio, to a point in line with the western boundary of Crown allotment 29, being a point on the eastern boundary of a north-south road; thence generally southerly along the said eastern boundary of a road to the north-western angle of Crown allotment 18, Parish of Kiata; thence westerly by a line across a road along the northern boundaries of Crown allotments 2, 1c, 1b and 1a to the north-western angle of the said Crown allotment 1a, being a point on the eastern boundary of a north-south road; thence generally southerly along the said eastern boundary of a road to the south-western angle of Crown allotment 96; thence by a line bearing due south across a road to a point on the northern boundary of Crown allotment 98; thence southerly along the western boundary of the said Crown allotment 98 to its south-western angle; thence easterly along the southern boundary of the said Crown allotment 98 by a line across a road, along the southern boundary of Crown allotment 101 and by a line across a road to the south-western angle of Crown allotment 100b, being a point on the eastern boundary of a north-south road; thence generally southerly along the said eastern boundary of a road to the north-western angle of Crown allotment 6, Parish of Coynallan; thence southerly along the western boundary of the said Crown allotment 6 and by a line being the continuation thereof through Crown lands to a point on the southern boundary of the Parish of Coynallan, being also a point on the southern boundary of the existing Waterworks District; thence generally easterly, northerly and westerly along the boundary of the existing Waterworks District to the point of commencement.

All of which lands are shown on a plan approved by the Governor in Council and deposited in the office of the State Rivers and Water Supply Commission, Melbourne.—(Corr. 59/4639/35.)

And the Honorable Wilfred John Mibus, Her Majesty's Minister of Water Supply for the State of Victoria, shall give the necessary directions herein accordingly.

N. G. WISHART,
Acting Clerk of the Executive Council.

—
HORSHAM SEWERAGE AUTHORITY.

*At Government House, Melbourne, the
nineteenth day of December, 1961.*

PRESENT:

His Excellency the Governor of Victoria.
Sir Arthur Warner | Mr. Meagher.

—
CONSENT TO BORROWING £50,000.

UNDER the powers conferred by the Sewerage Districts Acts and all other powers enabling him in that behalf, His Excellency the Governor of the State of Victoria, by and with the advice of the Executive Council of the said State, doth hereby consent to the Horsham Sewerage Authority borrowing by the assignment of the General Fund a sum of Fifty thousand pounds (£50,000) to meet the cost of sewerage works as set forth in the detailed statement bearing date the 15th December, 1961.

And the Honorable Wilfred John Mibus, Her Majesty's Minister of Water Supply for the State of Victoria, shall give the necessary directions herein accordingly.

N. G. WISHART,
Acting Clerk of the Executive Council.

—
KYABRAM SEWERAGE AUTHORITY.

*At Government House, Melbourne, the
nineteenth day of December, 1961.*

PRESENT:

His Excellency the Governor of Victoria.
Sir Arthur Warner | Mr. Meagher.

—
CONSENT TO BORROWING £15,000.

UNDER the powers conferred by the Sewerage Districts Acts and all other powers enabling him in that behalf, His Excellency the Governor of the State of Victoria, by and with the advice of the Executive Council of the said State, doth hereby consent to the Kyabram Sewerage Authority borrowing the sum of Fifteen thousand pounds by the assignment of the General Fund, to meet the cost of sewerage works as set forth in the detailed statement bearing date the 15th December, 1961.

And the Honorable Wilfred John Mibus, Her Majesty's Minister of Water Supply for the State of Victoria, shall give the necessary directions herein accordingly.

N. G. WISHART,
Acting Clerk of the Executive Council.

—
MOE SEWERAGE AUTHORITY.

*At Government House, Melbourne, the
nineteenth day of December, 1961.*

PRESENT:

His Excellency the Governor of Victoria.
Sir Arthur Warner | Mr. Meagher.

—
CONSENT TO BORROWING £15,000.

UNDER the powers conferred by the Sewerage Districts Acts and all other powers enabling him in that behalf, His Excellency the Governor of the State of Victoria, by and with the advice of the Executive Council of the said State, doth hereby consent to the Moe Sewerage Authority borrowing by the assignment of the General Fund the sum of Fifteen thousand pounds (£15,000) to meet the cost of sewerage works as set forth in the detailed statement bearing date the 15th December, 1961.

And the Honorable Wilfred John Mibus, Her Majesty's Minister of Water Supply for the State of Victoria, shall give the necessary directions herein accordingly.

N. G. WISHART,
Acting Clerk of the Executive Council.

—
COLAC SEWERAGE AUTHORITY.

*At Government House, Melbourne, the
nineteenth day of December, 1961.*

PRESENT:

His Excellency the Governor of Victoria.
Sir Arthur Warner | Mr. Meagher.

—
CONSENT TO BORROWING £10,000.

UNDER the powers conferred by the Sewerage Districts Acts and all other powers enabling him in that behalf, His Excellency the Governor of the State of Victoria, by and with the advice of the Executive Council of the said State, doth hereby consent to the Colac Sewerage Authority borrowing by the issue of a debenture the sum of Ten thousand pounds (£10,000) to meet the cost of sewerage works as set forth in the detailed statement bearing date the 15th December, 1961.

And the Honorable Wilfred John Mibus, Her Majesty's Minister of Water Supply for the State of Victoria, shall give the necessary directions herein accordingly.

N. G. WISHART,
Acting Clerk of the Executive Council.

KYABRAM SEWERAGE AUTHORITY.

At Government House, Melbourne, the nineteenth day of December, 1961.

PRESENT:

His Excellency the Governor of Victoria.
Sir Arthur Warner | Mr. Meagher.

ALTERATION IN THE CONSTITUTION OF THE AUTHORITY.

UNDER the powers conferred by the Sewerage Districts Acts and all other powers enabling him in that behalf, His Excellency the Governor of the State of Victoria, by and with the advice of the Executive Council of the said State, doth hereby repeal clause (d) of the Order in Council constituting the Kyabram Sewerage Authority made on the 11th October, 1938, and published in the *Victoria Government Gazette* dated 19th October, 1938, and in lieu thereof doth hereby order that the following shall be and be deemed to be clause (d) of the said Order:—

“(d) That the Councillors for the time being of the Borough of Kyabram shall be the members of the Sewerage Authority”.

This Order shall take effect as on and from the 1st January, 1962.

And the Honorable Wilfred John Mibus, Her Majesty's Minister of Water Supply for the State of Victoria, shall give the necessary directions herein accordingly.

N. G. WISHART,
Acting Clerk of the Executive Council.

HORSHAM SEWERAGE AUTHORITY.

At Government House, Melbourne, the nineteenth day of December, 1961.

PRESENT:

His Excellency the Governor of Victoria.
Sir Arthur Warner | Mr. Meagher.

REPEAL OF ORDER.

UNDER the powers conferred by the Sewerage Districts Acts and all other powers enabling him in that behalf, His Excellency the Governor of the State of Victoria, by and with the advice of the Executive Council of the said State, doth hereby repeal the Order made by the Governor in Council on 2nd November, 1949, fixing the limit of the overdraft to be obtained by the Horsham Sewerage Authority from the Commercial Bank of Australia Limited, Horsham, at an amount not to exceed at any one time the sum of Three thousand pounds (£3,000).

And as on and from the date hereof the said Order of the Governor in Council shall be deemed to be repealed accordingly.

And the Honorable Wilfred John Mibus, Her Majesty's Minister of Water Supply for the State of Victoria, shall give the necessary directions herein accordingly.

N. G. WISHART,
Acting Clerk of the Executive Council.

LORNE SEWERAGE AUTHORITY.

At Government House, Melbourne, the nineteenth day of December, 1961.

PRESENT:

His Excellency the Governor of Victoria.
Sir Arthur Warner | Mr. Meagher.

REPEAL OF ORDER.

UNDER the powers conferred by the Sewerage Districts Acts and all other powers enabling him in that behalf, His Excellency the Governor of the State of Victoria, by and with the advice of the Executive Council of the said State, doth hereby repeal the Order made by the Governor in Council on the 10th November, 1959, and published in the *Victoria Government Gazette* dated the 11th November, 1959, fixing the limit of the overdraft to be obtained

by the Lorne Sewerage Authority from the National Bank of Australasia Limited, Winchelsea, at an amount not to exceed at any one time the sum of Fifteen thousand pounds (£15,000).

And as on and from the 31st December, 1961, the said Order of the Governor in Council shall be deemed to be repealed accordingly.

And the Honorable Wilfred John Mibus, Her Majesty's Minister of Water Supply for the State of Victoria, shall give the necessary directions herein accordingly.

N. G. WISHART,
Acting Clerk of the Executive Council.

BALLARAT SEWERAGE AUTHORITY.

At Government House, Melbourne, the nineteenth day of December, 1961.

PRESENT:

His Excellency the Governor of Victoria.
Sir Arthur Warner | Mr. Meagher.

CONSENT TO BORROWING £15,000.

UNDER the powers conferred by the Sewerage Districts Acts and all other powers enabling him in that behalf, His Excellency the Governor of the State of Victoria, by and with the advice of the Executive Council of the said State, doth hereby consent to the Ballarat Sewerage Authority borrowing the sum of Fifteen thousand pounds (£15,000) by the assignment of the General Fund to meet the cost of sewerage works at Ballarat as set forth in the detailed statement bearing date the 15th December, 1961.

And the Honorable Wilfred John Mibus, Her Majesty's Minister of Water Supply for the State of Victoria, shall give the necessary directions herein accordingly.

N. G. WISHART,
Acting Clerk of the Executive Council.

LICENSING ACT 1958.

At Government House, Melbourne, the nineteenth day of December, 1961.

PRESENT:

His Excellency the Governor of Victoria.
Sir Arthur Warner | Mr. Meagher.

AMENDMENT OF RULES UNDER THE LICENSING ACT 1958.

IN pursuance of the powers conferred by the *Licensing Act 1958* and all other powers him thereunto enabling, His Excellency the Governor of the State of Victoria, in the Commonwealth of Australia, by and with the advice of the Executive Council of the said State, doth hereby further amend the Rules made under the *Licensing Act 1958* on the eighteenth day of September, 1956, and published in the *Government Gazette* of the twentieth day of September, 1956, as follows (that is to say):—

After Rule 49, there shall be added the following heading and Rule:—

“ EVIDENCE,

49A. Where in any proceedings for any offence against the *Licensing Act 1958* it is necessary to prove whether any permission permit or authority did or did not subsist under that Act on a certain date or for or during a certain period of time, a certificate signed or purporting to be signed by the Registrar or the Clerk under the seal of the Court setting out that such a permission permit or authority did or did not subsist on that date or for or during that period shall be prima facie evidence of the facts stated therein.”

And the Honorable Arthur Gordon Rylah, Her Majesty's Chief Secretary for the State of Victoria, shall give the necessary directions herein accordingly.

N. G. WISHART,
Acting Clerk of the Executive Council.

RACING ACT 1958.

*At Government House, Melbourne, the
nineteenth day of December, 1961.*

PRESENT:

His Excellency the Governor of Victoria.
Sir Arthur Warner | Mr. Meagher.

AMENDMENT OF REGULATIONS.

IN pursuance of the powers conferred by the *Racing Act 1958* and all other powers him thereunto enabling, His Excellency the Governor of the State of Victoria, in the Commonwealth of Australia, by and with the advice of the Executive Council of the said State, doth hereby further amend the Totalizator Regulations 1955 as follows (that is to say):—

After clause 11 of the Regulations, there shall be inserted the following sub-clause:—

“(2) The Chief Secretary may nominate an inspector appointed under the Act to be the Chief Inspector of Totalizators and such Chief Inspector shall be responsible for the training and supervision of inspectors generally, the preparation of duty rosters and reports on totalizator operations, and the issue of such instructions as are necessary for the carrying out of inspectorial duties pursuant to the Act and the Regulations made thereunder.”

And the Honorable Arthur Gordon Rylah, Her Majesty's Chief Secretary for the State of Victoria, shall give the necessary directions herein accordingly.

N. G. WISHART,
Acting Clerk of the Executive Council.

HOUSING ACT 1958.

*At Government House, Melbourne, the
nineteenth day of December, 1961.*

PRESENT:

His Excellency the Governor of Victoria.
Sir Arthur Warner | Mr. Meagher.

DECLARATION OF A RECLAMATION AREA AT
KENSINGTON.

WHEREAS within an area situated in the City of Melbourne (which area is described in the Schedule hereto) there are houses which—

- (a) are unfit for human habitation, and
- (b) are in the opinion of the Housing Commission insanitary or unhealthy by reason of—
 - (i) the excessive number of buildings within the area,
 - (ii) the bad arrangement of buildings within the area,
 - (iii) the bad arrangement or narrowness of streets within the area:

And whereas Housing Commission considers that housing conditions within the said area cannot be satisfactorily dealt with unless the said area is dealt with pursuant to Division 2 of Part III. of the *Housing Act 1958* as a Reclamation Area:

And whereas Housing Commission, having duly complied with the provisions of sub-section (3) of section 67 of the *Housing Act 1958*, has submitted to the Governor in Council its recommendation that the said area should be constituted as a Reclamation Area:

Now therefore I the Governor of the State of Victoria in the Commonwealth of Australia by and with the advice of the Executive Council of the said State and in pursuance of the powers conferred by the said Act and upon such recommendation doth by this Order declare the area described in the Schedule hereto to be a Reclamation Area.

SCHEDULE.

All that piece of land situated within the municipality of the City of Melbourne, being part of Crown allotments 17 and 18, section 2, Parish of Dousta Galla, and being the land bounded by a line commencing at a point on the southern alignment of Chelmsford-street, being the intersection thereof with the eastern alignment of Elizabeth-street; thence easterly along the said southern alignment of Chelmsford-street to its intersection with the western alignment of Barrett-street; thence south-easterly along the said western alignment of Barrett-street to its intersection with the northern alignment of Bruce-street; thence westerly along the northern alignment of Bruce-street to its intersection with the eastern alignment of Elizabeth-street; and thence north-westerly along the said eastern alignment of Elizabeth-street to the point of commencement.

And the Honorable Lindsay Hamilton Simpson Thompson, Her Majesty's Minister of Housing for the State of Victoria, shall give the necessary directions herein accordingly.

N. G. WISHART,
Acting Clerk of the Executive Council.

MINES ACT 1958.

*At Government House, Melbourne, the
nineteenth day of December, 1961.*

PRESENT:

His Excellency the Governor of Victoria.
Sir Arthur Warner | Mr. Meagher.

PURSUANT to the provisions of section 43 (1) of the *Mines Act 1958* (No. 6320), His Excellency the Governor of the State of Victoria, by and with the advice of the Executive Council thereof, doth hereby consent to the surrender of the following mineral leases:—

Leases Nos. 7613, 7614, 7618, 7620, 7626, 7627, 7628 and 7629.

And the Honorable Wilfred John Mibus, Her Majesty's Minister of Mines for the State of Victoria, shall give the necessary directions herein accordingly.

N. G. WISHART,
Acting Clerk of the Executive Council.

COUNTRY FIRE AUTHORITY ACT 1958.

*At Government House, Melbourne, the
nineteenth day of December, 1961.*

PRESENT:

His Excellency the Governor of Victoria.

Sir Arthur Warner | Mr. Meagher.

AMENDMENT OF REGULATIONS.

WHEREAS by the *Country Fire Authority Act 1958* it is amongst other things enacted that the Governor in Council may make Regulations prescribing the travelling expenses which the members of every regional advisory committee shall be entitled to receive:

And whereas Regulations entitled "Country Fire Authority (Regional Advisory Committees Travelling Expenses) Regulations" were made by the Governor in Council on the tenth day of June, 1947, and published in the *Government Gazette* of the eleventh day of June, 1947, and such Regulations have been amended from time to time:

Now therefore His Excellency the Governor of the State of Victoria, in the Commonwealth of Australia, by and with the advice of the Executive Council of the said State, and in pursuance of the powers conferred by the *Country Fire Authority Act 1958* and all other powers him thereunto enabling, doth hereby further amend the said Regulations as follows (that is to say):—

For paragraph (a) of clause 3 there shall be substituted the following paragraph:—

"(a) The actual cost of meals necessarily obtained elsewhere than at his usual place of residence but not exceeding—

- (i) Five shillings and six pence for breakfast where the member is required to leave before 7 a.m. and is unable to return until after 9.30 a.m.
- (ii) Five shillings and six pence for lunch where the member is required to leave before 12 noon, is unable to return until after 3 p.m., and is absent for a period of at least seven hours.
- (iii) Nine shillings for tea where a member is required to leave before 5 p.m. and is unable to return until after 7 p.m.

And the Honorable Arthur Gordon Rylah, Her Majesty's Chief Secretary for the State of Victoria, shall give the necessary directions herein accordingly.

N. G. WISHART,

Acting Clerk of the Executive Council.

LANDLORD AND TENANT ACT 1958.

*At Government House, Melbourne, the nineteenth day of
December, 1961.*

PRESENT:

His Excellency the Governor of Victoria.

Sir Arthur Warner | Mr. Meagher.

ORDER EXTENDING APPLICATION OF PART V. OF
THE LANDLORD AND TENANT ACT 1958 TO
CERTAIN PREMISES.

IN pursuance of the powers conferred by section 44 of the *Landlord and Tenant Act 1958*, His Excellency the Governor of Victoria, by and with the advice of the Executive Council thereof, doth hereby declare that the application of Part V. of the *Landlord and Tenant Act 1958* shall extend to each of the following premises:—

1. The premises known as No. 21 Charles-street, Abbotsford.
2. The premises known as No. 77 Lee-street, Carlton.
3. The premises known as No. 4 Grey-street, South Yarra.
4. The premises known as No. 57 Plateau-road, Reservoir.
5. The premises known as No. 23 Mary-street, North Carlton.
6. The premises known as No. 15 Bayview-terrace, Kensington.
7. The premises known as No. 157 Rupert-street, Collingwood.
8. The premises known as No. 3 Victoria-street, Moonee Ponds.

9. The premises known as Flat No. 1 at No. 1 Elm-street, Hawthorn.

10. The premises known as Flat No. 2 at No. 1 Elm-street, Hawthorn.

11. The premises known as Flat No. 2 at No. 2 Pine-grove, Malvern.

12. The premises known as No. 9 Leamington-crescent, Carnegie, and all premises forming part of such premises.

13. The premises known as No. 23 Avenue-road, Camberwell, and all premises forming part of such premises.

14. The premises known as Nos. 50-52 Albion-street, South Yarra, and all premises forming part of such premises.

15. The premises known as No. 207 Centre-road, Bentleigh, and all premises forming part of such premises.

16. The premises situated at Plenty-road, South Morang, on part of Crown allotment 3, Crown section 11, which, on the 19th December, 1961, were let to one Clarence Raymond Sherlock.

17. The premises situated at Plenty-road, South Morang, on part of Crown allotment 3, Crown section 11, which, on the 19th December, 1961, were let to one George Walton.

18. That part of the premises known as No. 86 St. Leonards-road, Ascot Vale, which, on the 19th December, 1961, were let to one Hanorah Duggan.

And the Honorable Arthur Gordon Rylah, Her Majesty's Attorney-General in and for the State of Victoria, shall give the necessary directions herein accordingly.

N. G. WISHART,

Acting Clerk of the Executive Council.

LANDLORD AND TENANT ACT 1958.

At Government House, Melbourne, the nineteenth day of December, 1961.

PRESENT:

His Excellency the Governor of Victoria.
Sir Arthur Warner | Mr. Meagher.

ORDER EXCLUDING A CERTAIN CLASS OF PREMISES FROM THE OPERATION OF CERTAIN OF THE PROVISIONS CONTAINED IN PART V. OF THE LANDLORD AND TENANT ACT 1958.

IN pursuance of the powers conferred upon him by the *Landlord and Tenant Act 1958*, His Excellency the Governor of the State of Victoria, by and with the advice of the Executive Council thereof, doth hereby declare that all premises included in the following class of premises, that is to say, premises leased for residential purposes only of which the Metropolitan Fire Brigades Board is the lessor, shall be excluded from the operation of the whole of the provisions contained in Divisions 2 and 3 of Part V. of the *Landlord and Tenant Act 1958*.

And the Honorable Arthur Gordon Rylah, Her Majesty's Attorney-General in and for the State of Victoria, shall give the necessary directions herein accordingly.

N. G. WISHART,
Acting Clerk of the Executive Council.

STATE SAVINGS BANK ACT 1958 (No. 6379).

At Government House, Melbourne, the nineteenth day of December, 1961.

PRESENT:

His Excellency the Governor of Victoria.
Sir Arthur Warner | Mr. Meagher.

IN accordance with the provisions of the *State Savings Bank Act 1958* (No. 6379), His Excellency the Governor of the State of Victoria, by and with the advice of the Executive Council thereof, doth by this Order hereby appoint—

ALBERT EDWARD HOCKING, F.C.A., J.P.,
to be Chairman of the Commissioners of the State Savings Bank of Victoria for the year commencing on the 1st January, 1962.

And the Honorable Henry Edward Bolte, Her Majesty's Treasurer for the State of Victoria, shall give the necessary directions herein accordingly.

N. G. WISHART,
Acting Clerk of the Executive Council.

TOWN AND COUNTRY PLANNING ACT 1958 (AS AMENDED).

At Government House, Melbourne, the nineteenth day of December, 1961.

PRESENT:

His Excellency the Governor of the State of Victoria.
Sir Arthur Warner | Mr. Meagher.

REVOCATION IN PART OF THE SHIRE OF ALTONA PLANNING SCHEME 1958.

WHEREAS it is provided under the *Town and Country Planning Act 1958*, as amended, that the Governor in Council, upon application of the Town and Country Planning Board or the responsible authority or of any other person or body of persons appearing to him to be interested, may revoke the whole or any part of any planning scheme if he thinks that, under the special circumstances of the case it should be so revoked, now, therefore, His Excellency the Governor of the State of Victoria, by and with the advice of the Executive Council and on the recommendation of the Town and Country Planning Board, doth hereby revoke the Shire of Altona Planning Scheme 1958, insofar as it applies to all that land, being lots 68 and 71 on lodged plan 2102, lodged

at the Office of Titles, and being part of Crown allotment A, section VIII., Parish of Truganina, County of Bourke, the boundaries of which are as follow:—

Commencing at the south-western intersection of Blyth and Bent streets, Altona; thence westerly along Blyth-street for a distance of 153 feet; thence southerly along a road for a distance of 132 feet; thence easterly for a distance of 153 feet; thence northerly along Bent-street for a distance of 132 feet to the point of commencement.

And the Honorable Murray Victor Porter, Her Majesty's Minister for Local Government for the State of Victoria, shall give the necessary directions herein accordingly.

N. G. WISHART,
Acting Clerk of the Executive Council.

TOWN AND COUNTRY PLANNING ACT 1958 (AS AMENDED).

At Government House, Melbourne, the nineteenth day of December, 1961.

PRESENT:

His Excellency the Governor of Victoria.
Sir Arthur Warner | Mr. Meagher.

REVOCATION IN PART OF THE SHIRE OF ALTONA PLANNING SCHEME 1958.

WHEREAS it is provided under the *Town and Country Planning Act 1958* (as amended) that the Governor in Council, upon application of the Town and Country Planning Board or the responsible authority or of any other person or body of persons appearing to him to be interested, may revoke the whole or any part of any planning scheme if he thinks that, under the special circumstances of the case it should be so revoked: Now therefore, His Excellency the Governor of the State of Victoria, by and with the advice of the Executive Council and on the recommendation of the Town and Country Planning Board, doth hereby revoke the Shire of Altona Planning Scheme 1958, in so far as it applies to all that land being lots 720, 721 and 722 on lodged plan 12834 lodged at the Office of Titles, and being part of Crown allotment C, section VI., Parish of Cut Paw Paw, County of Bourke, the boundaries of which are as follows:—

Commencing at the eastern intersection of The Highway and Stapley-crescent; thence south-easterly along Stapley-crescent for a distance of 120 feet; thence north-easterly along a road for a distance of 60 feet; thence north-westerly by a line parallel to Stapley-crescent for a distance of 120 feet; thence south-westerly along The Highway for a distance of 60 feet to the point of commencement.

And the Honorable Murray Victor Porter, Her Majesty's Minister for Local Government for the State of Victoria, shall give the necessary directions herein accordingly.

N. G. WISHART,
Acting Clerk of the Executive Council.

CRIMES ACT 1958.

At Government House, Melbourne, the nineteenth day of December, 1961.

PRESENT:

His Excellency the Governor of Victoria.
Sir Arthur Warner | Mr. Meagher.

APPROVED BREATH ANALYSING INSTRUMENTS.

PURSUANT to the provisions of sub-section (6) of section 408A of the *Crimes Act 1958*, His Excellency the Governor of the State of Victoria, by and with the advice of the Executive Council thereof, doth hereby approve of the types of apparatus described hereunder as breath analysing instruments for the purposes of the said Act:—

TYPES OF APPARATUS.

Machine, for measuring the percentage of alcohol in samples of breath, known as the breathalyser, and manufactured by Stevenson Corporation, Red Bank, New Jersey, U.S.A.

Machine, for measuring the percentage of alcohol in samples of breath, known as the breathalyser, and manufactured by L. Etzlinger, Geneva, Switzerland.

And the Honorable Arthur Gordon Rylah, Her Majesty's Attorney-General for the State of Victoria, shall give the necessary directions herein accordingly.

N. G. WISHART,
Acting Clerk of the Executive Council.

RAILWAYS ACT 1958.

At Government House, Melbourne, the nineteenth day of December, 1961.

PRESENT:

His Excellency the Governor of Victoria.
Sir Arthur Warner | Mr. Meagher.

ORDER CLOSING RAILWAY LEVEL CROSSING AT 137M. 14C. 20L. BETWEEN GLENROWAN AND WANGARATTA ON THE NORTH-EASTERN RAILWAY.

WHEREAS pursuant to the provisions of the *Railways Act 1958* (No. 6355), The Victorian Railways Commissioners recommended to the Governor in Council that the railway level crossing at 137M. 14C. 20L. situated about 1½ miles north of Glenrowan on the North-Eastern railway should be closed and gave the several notices required under that Act His Excellency the Governor of the State of Victoria with the advice of the Executive Council thereof and being satisfied—

- (a) that the requisite notices have been given;
 - (b) that not less than two months have expired since the last of such notices was given; and
 - (c) that the level crossing is no longer required for the use of the public—
- doth hereby order that the said level crossing shall be closed from 20th December, 1961.

And the Honorable Sir Arthur Warner, Her Majesty's Minister of Transport for the State of Victoria, shall give the necessary directions herein accordingly.

N. G. WISHART,
Acting Clerk of the Executive Council.

PROPOSED REVOCATION OF TEMPORARY RESERVATION AND THE WITHHOLDING FROM SALE, LEASING AND LICENSING OF LAND BY ORDER IN COUNCIL.

IN pursuance of the provisions of the *Land Act 1958*, notice is hereby given that it is the intention of the Governor in Council to revoke the temporary reservations, and the withholding from sale, leasing and licensing of lands by Order in Council hereunder referred to, viz.:

The following Notice was published 1° on the 29th November, 1961, pursuant to Order of the 21st November, 1961.

KURRACA.—The temporary reservation as a site for Public purposes (State School) and the withholding from sale, leasing and licensing by Order in Council of the 3rd October, 1881 (see *Government Gazette*, 7th October, 1881, page 2787), of 2 acres of land in the Parish of Kurraca.—(K.140(A²)) (C.98635).

KEITH TURNBULL,
Commissioner of Crown Lands and Survey.

PROPOSED REVOCATIONS OF TEMPORARY RESERVATIONS OF LANDS BY ORDERS IN COUNCIL.

IN pursuance of the provisions of the *Land Act 1958*, notice is hereby given that it is the intention of the Governor in Council to revoke the temporary reservations of lands by Orders in Council hereunder referred to, viz.:

The following Notices were published 1° on the 29th November, 1961, pursuant to Orders of the 21st November, 1961.

COLIBAN.—The temporary reservation, by Order in Council of the 15th June, 1915, of 53 acres of land in the Parish of Coliban, as a site for Forest purposes.—(C.252(2)) (C.62481).

MUCKLEFORD.—The temporary reservation, by Order in Council of the 23rd July, 1877 (see *Government Gazette*, 27th July, 1877, page 1423), of 5 acres of land in the Parish of Muckleford as a site for Public purposes (State School).—(M.259(5)) (C.98634).

KEITH TURNBULL,
Commissioner of Crown Lands and Survey.

PROPOSED REVOCATIONS OF TEMPORARY RESERVATIONS AND THE WITHHOLDING FROM SALE, LEASING, AND LICENSING OF LANDS BY ORDERS IN COUNCIL.

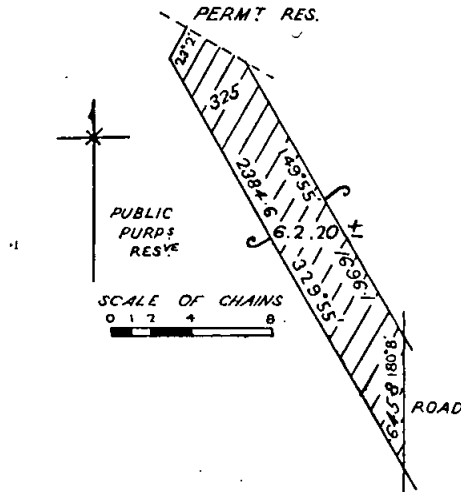
IN pursuance of the provisions of the *Land Act 1958*, notice is hereby given that it is the intention of the Governor in Council to revoke the temporary reservations, and the withholding from sale, leasing, and licensing of lands by Orders in Council hereunder referred to, viz.:

The following Notices were published 1° on the 13th December, 1961, pursuant to Orders of the 5th December, 1961.

BUNGALALLY.—The temporary reservation as a site for a Quarry and the withholding from sale, leasing, and licensing, by Order in Council of the 23rd December, 1879, of 22 acres 3 roods 11 perches of land in the Parish of Bungalally.—(B.93(3)) (Rs.220).

JAN JUC.—The temporary reservation as a site for Public purposes and the withholding from sale, leasing, and licensing, by Order in Council of the 17th October, 1881 (see *Government Gazette*, 21st October, 1881, page 2900), of 280 acres, more or less, of land in the Parish of Jan Juc, revoked as to part by Order of the 19th February, 1889, so far as the balance thereof containing 105 acres, more or less, is concerned.—(J.7(6)) (C.68014).

BONEGILLA.—The temporary reservation as a site for Public purposes and the withholding from sale, leasing, and licensing, by Order in Council of the 8th October, 1877 (see *Government Gazette*, 12th October, 1877, page 1925), of 78 acres, more or less, of land in the Parish of Bonegilla, so far only as the portion containing 6 acres 2 roods 20 perches, more or less, indicated by hachure on plan hereunder, is concerned.—(B.575(4)) (Rs.44).



KEITH TURNBULL,
Commissioner of Crown Lands and Survey.

PROPOSED REVOCATIONS OF TEMPORARY RESERVATIONS OF LANDS BY ORDERS IN COUNCIL.

IN pursuance of the provisions of the *Land Act 1958*, notice is hereby given that it is the intention of the Governor in Council to revoke the temporary reservations of lands by Orders in Council hereunder referred to, viz.:

The following Notices were published 1° on the 20th December, 1961, pursuant to Orders of the 12th December, 1961.

BEENAK.—The temporary reservation, by Order in Council of the 24th September, 1907, of 3 roods 28 perches of land in the Parish of Beenak, as a site for a State School.—(B.680(6)) (Rs.3538).

MYRRHEE.—The temporary reservation, by Order in Council of the 9th November, 1914, of 28 acres 1 rood 28 perches of land in the Parish of Myrrhee, as a site for Public Recreation.—(M.297(4)) (Rs.629).

KEITH TURNBULL,
Commissioner of Crown Lands and Survey.

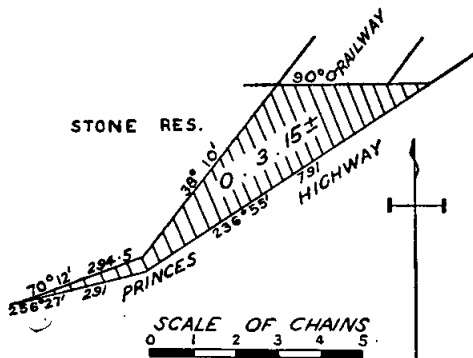
PROPOSED REVOCATIONS OF TEMPORARY RESERVATIONS OF LANDS BY ORDERS IN COUNCIL.

IN pursuance of the provisions of the *Land Act 1958*, notice is hereby given that it is the intention of the Governor in Council to revoke the temporary reservations of lands by Orders in Council hereunder referred to, viz.:

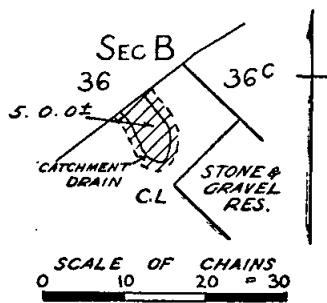
The following Notices were published 1° on the 6th December, 1961, pursuant to Orders of the 28th November, 1961.

WERRIMULL.—The temporary reservation, by Order in Council of the 22nd May, 1928, of 3 acres 2 roods of land in the Parish of Werrimull as a site for a State School.—(W.423(2) (Rs.3681).

BIRREGURRA.—The temporary reservation, by Order in Council of the 21st December, 1868, of 3 acres 2 roods 28 perches of land in the Parish of Birregurra as a site for the Supply of Stone, so far only as the portion containing 3 roods 15 perches, more or less, indicated by hachure on plan hereunder, is concerned.—(B.395(2) (Rs.8027).



GLENALBYN.—The temporary reservation, by Order in Council of the 6th August, 1903, of 1,660 acres, more or less, of land in the Parishes of Glenalbyn, Salisbury West, and the Township of Inglewood as a site for Water Supply purposes, revoked as to part by various Orders, so far only as the portion in the Parish of Glenalbyn containing 5 acres, more or less, indicated by hachure on plan hereunder, is concerned.—(G.161(2) (Rs.1328).



KEITH TURNBULL,
Commissioner of Crown Lands and Survey.

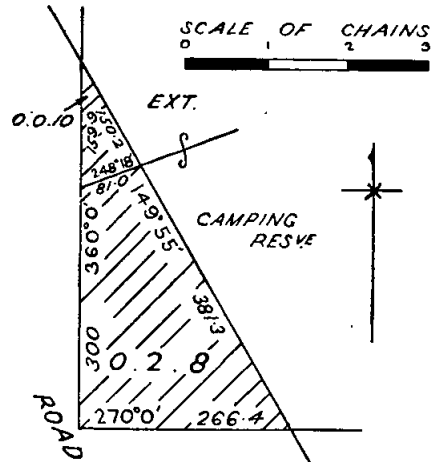
PROPOSED REVOCATIONS OF TEMPORARY RESERVATIONS AND THE WITHHOLDING FROM SALE, LEASING, AND LICENSING OF LANDS BY ORDERS IN COUNCIL.

IN pursuance of the provisions of the *Land Act 1958*, notice is hereby given that it is the intention of the Governor in Council to revoke the temporary reservations, and the withholding from sale, leasing, and licensing of lands by Orders in Council hereunder referred to, viz.:

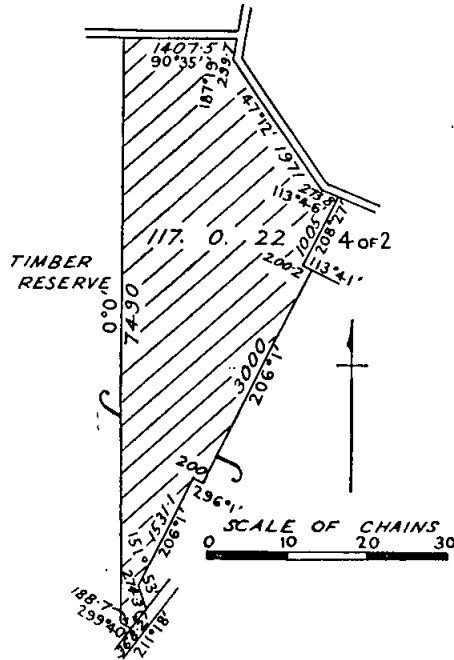
The following Notices were published 1° on the 13th December, 1961, pursuant to Orders of the 5th December, 1961.

BONEGILLA.—The temporary reservation, by Order in Council of the 15th November, 1937, of 7 acres 0 roods 27 perches of land in the Parish of Bonegilla as a site for Camping purposes, and the temporary reservation, by Order of the 12th December, 1938, of 3 acres of land as an extension thereto, so far only as the respective portions

containing 2 roods 8 perches and 10 perches, indicated by hachure on plan hereunder, are concerned.—(B.575(4) (Rs.4742).



BORUNG.—The temporary reservation, by Order in Council of the 16th January, 1940, of 2,000 acres, more or less, of land in the Parish of Borung as a site for the Growth of Timber for the purpose of the Manufacture or Production of Eucalyptus Oil, so far only as the portion containing 117 acres 0 roods 22 perches, indicated by hachure on plan hereunder, is concerned.—(B.89(2) (0104/141).



KEITH TURNBULL,
Commissioner of Crown Lands and Survey.

RETIREMENT AND APPOINTMENT OF MANAGERS OF COMMONS.

IT is hereby notified for the information of all persons entitled to depasture stock on commons that successors to the individual managers thereof, who will retire on the 31st December, 1961, should be elected before the close of the year by the persons interested at public meetings duly convened for the purpose by the President of the Shire. The names, in full, of the gentlemen who may be elected for either one (1), two (2), or three (3) years should be forwarded to the Department of Crown Lands and Survey.

KEITH TURNBULL,
Commissioner of Crown Lands and Survey.

Land Act 1958.

LEASE SURRENDERED.

NOTICE is hereby given that the Governor in Council has accepted the surrender of the Lease mentioned in the Schedule hereunder for the reason specified.

District.	Corr. No.	Name.	Section of Land Act under which Leased.	Parish.	Allotment.	Section.	Area.	Class.	Reason.
Mallee	03923/125	Imperial Chemical Industries of Australia and New Zealand Limited	125	Mamengorook	33, 33A, 37, 38, 39, 40, 41 and 42	..	A. B. P. 433 1 3	..	Lease expired

Department of Crown Lands and Survey,
Melbourne, 11th December, 1961.

KEITH TURNBULL,
Commissioner of Crown Lands and Survey.

COMMITTEES OF MANAGEMENT OF RESERVES.

APPOINTMENTS.

WHEREAS by section 221 of the Land Act 1958 it is provided that it shall be lawful for the Governor in Council or the Board of Land and Works to appoint and remove any number of persons, not less than three, or any municipal council, or the governing body of any corporation, to be a Committee of Management of any specified Crown land reserved either temporarily or permanently for any of the purposes set out in section 14 of the Land Act 1958, and not conveyed to or vested in trustees: Now therefore the Board of Land and Works doth hereby appoint the under-mentioned persons to be members of the Committee of Management of the Reserves named:—

"NEERIM SOUTH MECHANICS' INSTITUTE."

William John Mayes and Hugh Finlay McCay (for so long only as they continue to be Councillors and the elect of the Council of the Shire of Buln Buln), and Walter Edward Cook, Albert Dawson, Alfred Gustav Sommer, Charles Bell, James Pratt Stott, Hugh Keith Archibald, Joseph Gapes, and Edmund Joseph Kelliher (for a period of three (3) years), as a Committee of Management of the land in the Parish of Neerim temporarily reserved by Order in Council, as a site for a Public Hall and Library, and known as the "Neerim South Mechanics' Institute".—(Corres. Rs.8079.)

"FERNVALE SOLDIERS' MEMORIAL RESERVE."

Andrew Paton, Kevin James O'Farell, James Gordon Paton, William John Ronan, William Geoffrey Paton, and Thomas Daniel Ronan as a Committee of Management for a period of three (3) years of the land temporarily reserved by Order in Council dated 13th June, 1933, as a site for Public purposes in the Parish of Bolga, and known as the "Fernvale Soldiers' Memorial Reserve".—(Corres. Rs.3155.)

"DROUIN SOUTH PUBLIC HALL."

Keith Mackenzie Forbes, Allan Hedley, Trevor Stone, David Pomfret, and Logie Waddell Hedley as a Committee of Management for a period of three (3) years of the land in the Parish of Drouin West temporarily reserved by Order in Council dated 25th October, 1961, as a site for Public Hall, and known as the "Drouin South Public Hall".—(Corres. Rs.8078.)

"POOWONG EAST PUBLIC HALL."

Robert Henry, George Bond Ronalds, Henry Christian Olsen, Frederick Lester Olsen, Gordon Robert Peel, Dudley Lorenz Olsen, and Henry Moorhead Osborne as a Committee of Management for a period of three (3) years of the land in the Parish of Poowong East temporarily reserved by Order in Council dated 25th October, 1961, as a site for a Public Hall, and known as the "Poowong East Public Hall".—(Corres. Rs.8076.)

"MODELLA RECREATION RESERVE."

Sinclair James Rogers (jun.), Ernest James Purvis, Wallace Paget Emery, Edward Dawson, Sinclair James Rogers (sen.), Adrian Ernest Athol Camp, Reginald Ernest Purvis, and Arthur Dawson as a Committee of Management for a period of three (3) years of the land

in the Parish of Yannathan temporarily reserved by Order in Council dated 25th October, 1961, as a site for Public Recreation, and known as the "Modella Recreation Reserve".—(Corres. Rs.8080.)

"HALLORA RECREATION RESERVE."

Robert Henry, John Charles Phillips, George James McMahon, Denis William Reilly, Patrick Edward Reilly, Desmond John Reilly, and Kenith James Hick as a Committee of Management for a period of three (3) years of the land in the Parish of Longwarry temporarily reserved by Order in Council dated 17th October, 1961, as a site for Public Recreation, and known as the "Hallora Recreation Reserve".—(Corres. Rs.8075.)

"LONGWARRY NORTH MECHANICS' INSTITUTE."

Walter John Wade, Edward Hughes Gardner, John Williams Hermans, John Clive Cocks, Frederick Lloyd Haysom, Herbert Gardener, Thomas Edward Baker, and John Forbes Patten as a Committee of Management for a period of three (3) years of the land in the Parish of Drouin West temporarily reserved by Order in Council dated 17th October, 1961, as a site for a Public Hall, and known as the "Longwarry North Mechanics' Institute".—(Corres. Rs.8077.)

"JOHNSONVILLE PUBLIC HALL RESERVE."

Francis Henry Kramme, James Alexander Meiklejohn, Ian Begg Irvine, John Vanden Born, Jantina Vanden Born, Thomas Robert Wyatt, Victor Charles Wyatt, Ian Robert Clues, John William Froud, Mary Agnes Clues, and Robert Edward Kinley as a Committee of Management for a period of three (3) years of the land in the Parish of Bumberrah, at Johnsonville, temporarily reserved as a site for a Public Hall by Order in Council dated the 30th September, 1958, and known as the "Johnsonville Public Hall Reserve".—(Corres. Rs.7740.)

"COBRICO PUBLIC HALL RESERVE."

Ian Errey as a member of the Committee of Management for the period ending 2nd July, 1964, of the land in the Parish of Elingamite temporarily reserved by Order in Council dated 28th February, 1961, as a site for a Public Hall, and known as the "Cobrico Public Hall Reserve".—(Corres. Rs.8021.)

"WARANGA MEMORIAL HOSPITAL RESERVE."

The Committee of Management of the Waranga Memorial Hospital as a Committee of Management of the land in the Township of Rushworth, Parish of Moora, temporarily reserved by Order in Council dated 22nd January, 1952, as a site for Hospital purposes.—(Corres. Rs.6820.)

"CUNNINGHAME RED BLUFF RESERVE."

William Eric Henderson, Allen Beveridge, William John Cullinan, Colin Stewart Campbell, and William Whelan as a Committee of Management for a period of three (3) years of the land temporarily reserved by Order in Council dated 12th February, 1935, as a site for Camping and Public Recreation in the Parish of Colquhoun, Township of East Cunninghame, and known as the "Cunninghame Red Bluff Reserve".—(Corres. Rs.5802.)

" PENGUIN RESERVE ", PHILLIP ISLAND.

The Council of the Shire of Phillip Island as a Committee of Management of the land in the Parish of Phillip Island temporarily reserved by Orders in Council dated 13th December, 1955, and 6th June, 1956, as a site for a Penguin Rookery and access thereto, together with that portion of the foreshore as lies between points A and B on plan dated 12th August, 1955, attached to Lands Department correspondence Rs.7419, together known as the "Penguin Reserve", Phillip Island.—(Corres. Rs.7419.)

This appointment is in lieu of all previous appointments in respect of the said land which are hereby revoked.

" GORDON PUBLIC PARK AND WATER RESERVE."

William Henry Barry, Margaret Anne Winter, Margaret Teresa Corbett, Bertha May Davidson, Bartholomew John Guller, Ivan Percival Clyde Hall, Frederick Christopher Tudor, Trevor Joseph Patrick Gleeson, James Peter Gleeson, Maxwell Leslie White, and Stephen Francis Conroy as a Committee of Management for a period of three (3) years from 5th December, 1961, of the land in the Parish of Kerrit Bareet temporarily reserved by Orders in Council dated 5th September, 1887, and 12th December, 1930, as a site for a Public Park and Watering purposes, and known as the "Gordon Public Park and Water Reserve".—(Corres. Rs.4060.)

" BANNOCKBURN MECHANICS' INSTITUTE AND FREE LIBRARY RESERVE."

Ernest Edward Ewart as a member of the Committee of Management for the period ending 21st November, 1964, of the land in the Township of Bannockburn temporarily reserved by Order in Council dated 12th March, 1907, as a site for a Mechanics' Institute and Free Library, and known as the "Bannockburn Mechanics' Institute and Free Library Reserve".—(Corres. Rs.2121.)

" WODONGA RECREATION AND PLANTATION RESERVE."

The Council of the Shire of Wodonga as a Committee of Management of the remaining portion of the land in the Township of Wodonga temporarily reserved as a site for Public Recreation and Plantation purposes as is indicated by red border on plan marked "W" over 30.11.1961, attached to Lands Department correspondence.—(Rs.4924.)

This appointment is in lieu of all previous appointments in respect of the said land which are hereby revoked.

" WOODEND PUBLIC PARK, GARDENS AND RECREATION RESERVE."

James Arthur Daniel, George Froomes Davies, James Boland Richardson, Ray Anthony Richardson, Ruby McKenzie, Ronald Ephraim Lewer, and Campbell G. McLeod as a Committee of Management for a period of three (3) years of the land in the Township of Woodend temporarily reserved by Orders in Council dated 9th December, 1913, 16th July, 1918, 25th November, 1918, 4th November, 1922, 21st November, 1938, and 10th July, 1951, as sites for Public Park and Gardens, which land was temporarily reserved by Order in Council dated 1st March, 1960, for the additional purpose of Public Recreation, together with the land in the said township temporarily reserved by Order in Council dated 28th October, 1930, as a site for Public purposes, all of which land is known as the "Woodend Public Park, Gardens and Recreation Reserve".—(Corres. Rs.112.)

" BRIDGEWATER PARK RESERVE."

R. G. Redwood, W. H. Wodetzki, R. H. Wodetzki, K. J. Epworth, A. W. Willey, W. F. Wigmore, and R. D. Rothacker as a Committee of Management for a period of three (3) years of the reserved Crown land at Bridgewater as is indicated by red colour on plan marked B/25.5.61, attached to Lands Department correspondence Rs.1495, and known as the "Bridgewater Park Reserve".—(Corres. Rs.1495.)

" MARNOO SOLDIERS' MEMORIAL PARK."

Stanley Harry Corrie, John Allister McLennan, Alan Brabender Cameron, Frank Newall, and Charles Richard McLennan as a Committee of Management for a period of three (3) years from 5th December, 1961, of the land in the Parish of Marnoo permanently reserved by Order in Council dated the 26th May, 1924, as a site for a Public Park and Recreation Grounds to serve as a Memorial of the Soldiers who took part in the recent War, and known as the "Marnoo Soldiers' Memorial Park".—(Corres. Rs.1696.)

" TOWONG PUBLIC HALL RESERVE."

Albert Arthur Smith, William George Fortnum, and William Charles Edward Wheeler as a Committee of Management for a period of three (3) years of the land temporarily reserved by Order in Council dated 17th April, 1924, as a site for a Public Hall in the Township of Towong, Parish of Towong, and known as the "Towong Public Hall Reserve".—(Corres. Rs.2918.)

In witness whereof the common seal of the Board of Land and Works was hereunto affixed this seventh day of December, One thousand nine hundred and sixty-one, in the presence of—

(SEAL) KEITH TURNBULL, President.
F. KLENNER, Member.

PUBLIC SERVICE NOTICES

No. 1165.

Public Service Act 1958.

REGULATIONS.—PART III.—SALARIES, INCREMENTS, AND ALLOWANCES.

THE Public Service Board, in pursuance of the powers conferred by the *Public Service Act 1958*, hereby amends the Public Service (Public Service Board) Regulations as follows:—

SECOND SCHEDULE.

TECHNICAL AND GENERAL DIVISION.

Grades and Salary Scales.

Immediately following, and as an addition to, the table for Males insert—

"Additional Grades and Salary Scales for the Government Printing Office General Staff (Male).

Grade 32A—£702.

Grade 33A—£734.

Grade 34A—£782.

Grade 35A—£814."

SIXTH SCHEDULE.

TEMPORARY EMPLOYEES.

Designations of Positions and Rates of Salaries.

Department and Designation of Position.	Yearly Rate of Salary.		Increments (Annual).
	Minimum.	Maximum.	
	£	£	
DEPARTMENT OF TREASURER.			
GOVERNMENT PRINTING OFFICE.			
Delete the existing yearly rates of salary for the following positions and insert the rates shown hereunder in lieu thereof:—			
Binder	574	606	1 of £32
Binder, Quarter (Female) ..	348	380	1 of £32
Book Folder (Female) ..	332	364	2 of £16
Book Folder and Sewer (Female)	348	380	1 of £32
Compositor	574	606	1 of £32
Electrician	590	622	1 of £32
Engineer	590	622	1 of £32
Engineer's Assistant	366	398	1 of £32
Embossor (Female)	348	380	1 of £32
Feeder	334	366	1 of £32
Feeder (Female)	332	364	2 of £16
General Assistant, Senior ..	350	382	1 of £32
General Assistant	334	366	1 of £32
General Assistant, Cleaning	318	350	2 of £16
Indexer (Female)	348	380	1 of £32
Linotype Assistant	414	446	1 of £32
Machineman	574	606	1 of £32
Machinist, Envelope (Female)	348	380	1 of £32
Monotype Caster	478	510	1 of £32
Night Watchman	366	398	1 of £32
Operator, Linotype	654	686	1 of £32
Operator, Monotype	654	686	1 of £32
Plate Grainer	366	398	1 of £32
Pressman	574	606	1 of £32
Printer, Lithographic	574	606	1 of £32
Printer, Lithographic, Assis-	366	398	1 of £32
tant	542	574	1 of £32
Printer's Joiner			

SIXTH SCHEDULE—continued.

Department and Designation of Position.	Yearly Rate of Salary.		Increments (Annual).
	Minimum.	Maximum.	
DEPARTMENT OF TREASURER— <i>continued.</i>	£	£	
GOVERNMENT PRINTING OFFICE— <i>continued.</i>			
Process Engraver ..	606	638	1 of £32
Reader ..	622	654	1 of £32
Reader's Assistant (Female)	332	364	2 of £16
Stereotyper ..	574	606	1 of £32
Storoman ..	382	414	1 of £32
Ticket Printer, Assistant ..	494	526	1 of £32
Juniors—			
Book Folder (Female)	‡§	..
General Assistant (Male)	‡	..
Monotype Caster	‡	..
Reader's Assistant (Female)	‡§	..
Ticket Printer, Assistant (Male)	‡	..
Apprentices—			
Engineer	†	..
All others	‡	..
Juniors—			
<i>Add—</i>			
Tradesman (Engineer)	‡	..
Tradesman (Printing)	‡	..
† Rates in accordance with Commonwealth Graphic Arts Award. § In addition an allowance at the rate of 2½d. an hour. ‡ Rates in accordance with Commonwealth Metal Trades Award. In addition, an allowance at the rate of an amount equal to the difference between the appropriate award rate expressed as an annual figure and the actual salary rate appropriate to the yearly rate of salary prescribed above for the corresponding adult tradesman designation.			
DEPARTMENT OF EDUCATION.			
<i>Delete—</i>			
Linotype Operator, Visual Education Centre	622§	..
‡ Subject to satisfactory service, incremental progression shall be by two increments each of £16 payable after the completion of one and three years' adult service, respectively.			
<i>Add—</i>			
Linotype Operator, Visual Education Centre ..	654	686	1 of £32

This Regulation shall have effect as on and from the 10th December, 1961.

A. GARRAN, Chairman.
N. J. SIMMANCE, Acting Secretary.

Office of the Public Service Board,
Melbourne, 7th December, 1961.

Serial No. 1166.

PUBLIC SERVICE ACT 1958.

THE Public Service Board, in pursuance of the powers conferred by the *Public Service Act 1958*, hereby amends the Public Service (Public Service Board) Regulations as follows:—

PART III.—SALARIES, INCREMENTS AND ALLOWANCES.

Regulation 61.

(a) SECOND SCHEDULE.

DEPARTMENT OF CHIEF SECRETARY.

State Library, National Gallery, National Museum and Institute of Applied Science.

Clause (vi) is revoked.

DEPARTMENT OF TREASURER.
Government Printing Office.

Clause (vii) is revoked.

Special Duty Allowance.

In clause (viii) the words and figures—

“Leading Hand Lithographic Printer or Lithographic Printer employed on a Rotary Machine, 2 11/20 an hour.”

are deleted.

DEPARTMENT OF EDUCATION.

Clause (ix) is revoked.

This Regulation shall have effect as on and from the 10th December, 1961.

A. GARRAN, Chairman.

N. J. SIMMANCE, Acting Secretary.

Office of the Public Service Board,
Melbourne, C.2, 7th December, 1961.

Serial No. 1167.

PUBLIC SERVICE ACT 1958.

THE Public Service Board, in pursuance of the powers conferred by the *Public Service Act 1958*, hereby amends the Public Service (Public Service Board) Regulations as follows:—

PART IV.—SALARIES AND INCREMENTS.

Division IV.—Technical and General Division.

Regulation 84.

(a) SECOND SCHEDULE.

CHIEF SECRETARY'S DEPARTMENT.

State Library, National Gallery, National Museum and Institute of Applied Science.

Clause (iii) is revoked.

TREASURY.

Government Printing Office.

Clause (iv) is revoked.

EDUCATION DEPARTMENT.

Clause (v) is revoked.

This Regulation shall have effect as on and from the 1st January, 1962.

A. GARRAN, Chairman.

N. J. SIMMANCE, Acting Secretary.

Office of the Public Service Board,
Melbourne, C.2, 7th December, 1961.

Serial No. 1168.

PUBLIC SERVICE ACT 1958.

THE Public Service Board, in pursuance of the powers conferred by the *Public Service Act 1958*, hereby amends the Public Service (Public Service Board) Regulations as follows:—

PART V.—ALLOWANCES.

DIVISION IV.—OTHER ALLOWANCES.

TREASURY—GOVERNMENT PRINTING OFFICE.

Regulation 116.

The following words and figures are deleted:—

“Leading Hand Lithographic Printer or Lithographic Printer employed on a Rotary Machine .. 2 11/20 an hour.”

This Regulation shall have effect as on and from the 1st January, 1962.

A. GARRAN, Chairman.

N. J. SIMMANCE, Acting Secretary.

Office of the Public Service Board,
Melbourne, 7th December, 1961.

Teaching Service Act 1958.

TEACHING SERVICE (TEACHERS TRIBUNAL) REGULATIONS.

AMENDMENT No. 24.

THE Teachers Tribunal, in pursuance of the powers conferred by the *Teaching Service Act 1958*, hereby rescinds Regulations 19 and 21 of the Teaching Service (Teachers Tribunal) Regulations, as from and including the 1st January, 1962, and substitutes therefor the following Regulations:—

REGULATION 19.

RELATIVE NUMBERS OF POSITIONS FOR TEACHERS IN EACH CLASS OF THE SECONDARY SCHOOLS DIVISION.

The relative numbers of positions for teachers in each class of the Secondary Schools Division from the 1st January, 1962, shall be as follows:—

Class.	Men.	Women.
Special	87	24
I.	146	85
II.	390	280
III.	760	558
IV.	830	760

REGULATION 21.

RELATIVE NUMBERS OF POSITIONS FOR TEACHERS IN EACH CLASS OF THE TECHNICAL SCHOOLS DIVISION.

The relative numbers of positions for teachers in each class of the Technical Schools Division from the 1st January, 1962, shall be as follows:—

Class.	Men.	Women.
Special	52	3
I.	104	10
II.	339	31
III.	580	81
IV.	600	130

LOUIS F. C. GARLICK, Chairman.
G. FENNELL, Secretary.

Office of the Teachers Tribunal,
Melbourne, 14th December, 1961.

TENDERS—PUBLIC WORKS DEPARTMENT

TENDERS will be received at this Department until TEN a.m. on the days, and for the purposes, under mentioned.

Particulars may be learnt at the Department and also at places shown in parenthesis.

W.O. means Inspector of Works Office; P.S.—Police Station; T.S.—Technical School; H.E.S.—Higher Elementary School; S.S.—State School; H.S.—High School; C.S.—Consolidated School.

Tenders should be submitted on the Department's printed Tender Form. All tenders must be on a "Firm Tender" basis. The Board of Land and Works will not necessarily accept the lowest or any tender.

Tenders to be addressed to the Hon. the Commissioner of Public Works, and envelope containing tender to be marked "Tender for , closing".

NOTE.—No preliminary deposit is to be lodged with any tender, but a deposit in accordance with the prescribed Schedule may be required from each successful tenderer.

NOTE.—Plans and specifications will not be available at school buildings before 6th February, 1962.

Tuesday, 9th January, 1962.

Airly.—Septic tank, &c., S.S. 4169. (W.O., Bairnsdale.)
Alexandra.—Repairs and painting to residence, 18 Myrtle-street, S.S. 912. (W.O., Alexandra.)

Ararat.—Supply and delivery as required, 500 cubic yards of surface gravel, 100 cubic yards of ½-in. screenings, 100 cubic yards of garden soil, 50 cubic yards concrete sand, Mental Hospital.

Ashwood.—Repairs to roof, S.S. 4698.

Benalla East.—New shelter pavilion, S.S. 2256. (W.O., Benalla; S.S., Benalla East.)

Bendigo.—General repairs, renovations and painting, Technical School. (W.O., Bendigo.)

Bona Vista.—Internal and external painting and repairs, S.S. 3612. (W.O., Warragul; S.S., Bona Vista.)

Brimpaen.—Purchase and removal of old school, S.S. 2525. (W.O., Horsham.)

Bunyip.—Renovations and painting, S.S. 2229. (S.S., Bunyip.)

Cheltenham North.—Supply and delivery of 52 tons of ½-in. premixed bituminous screenings and 16 tons of ½-in. premixed bituminous toppings, S.S. 4763, Bernard-street.

Coburg.—External repairs and painting, Technical School.

Coburg North.—Electrical rewiring of main building and Army hut and improvements to public address system, S.S. 4543.

Colac.—Renovations of exterior and interior painting of kitchen, Police Inspector's residence. (W.O., Camperdown; P.S., Colac.)

Connewirriaco.—Purchase and removal of old building, S.S. 1543. (W.O., Horsham.)

Douglas.—Purchase and removal of old school, S.S. 2044. (W.O., Horsham.)

Doveton.—Erection of office and residence, &c., Police Station.

Doveton.—Electrical installation in new brick veneer police station and residence.

Frankston.—Supply and delivery of woodwork shop equipment, Technical School.

Frankston.—Junior and senior fitting and turning equipment, Technical School.

Gembrook.—Septic tank and water supply installation, S.S. 2506. (S.S., Gembrook.)

Glenhuntly.—Erection of a two-story brick and brick veneer residence, Police Station.

Glenhuntly.—Electrical installation, residence, Police Station.

Glenroy.—Electrical installation in new sports pavilion, Technical School. (T.S., Glenroy.)

Glenroy.—Supply and delivery and installation of H.W.S. to dressing pavilion, Technical School.

Hawkesdale.—New concrete veneer L.T.C. school building, High School. (W.O., Warrnambool.)

Hawkesdale.—Electrical installation in new type "300", High School. (W.O., Warrnambool; H.E.S. and S.S., Hawkesdale.)

Hawkesdale.—Mechanical services for L.T.C. "300", High School.

Hawthorn.—Supply and delivery of 160 cubic yards ready-mixed concrete, Milk Board, Domville-avenue.

Horsham.—Repairs and painting, Public Works Department Inspector's residence. (W.O., Horsham.)

Jeparit.—Installation of septic tanks, school and residence, S.S. 2988. (W.O., Warracknabeal.)

Keon Park.—Supply of two 9-in. swing lathes and one 14-in. shaper, Technical School.

Kerang.—External repairs and painting of school building, S.S. 1410. (W.O., Swan Hill; S.S., Kerang.)

Melbourne.—Sealing of cornice molds, Public Works Department, New Treasury Building.

Melbourne.—Repairs and painting of office, Hairdressing School of C.R.T.S. Annexe.

Mortlake.—Supply and installation of an effluent pump for septic tank, S.S. 397. (W.O., Warrnambool.)

Mont Park.—Bed-sides, tubular steel, Mental Hospital.

Murtoa.—Repairs, external painting, &c., Police Station. (W.O., Warracknabeal; P.S., Murtoa.)

Numurkah.—Renewal of water service at school and residence, S.S. 2134. (W.O., Shepparton; S.S., Numurkah.)

Richmond.—External repairs and painting to residence, S.S. 1567.

Rochester.—Renovations and painting, Police Station and residence. (W.O., Bendigo; P.S., Rochester.)

Royal Park.—Supply and installation of aluminium windows to Administration Building, Mental Hospital. (W.O., Royal Park Mental Hospital.)

Swan Hill.—Provision of internal toilet and wash room for female staff, S.S. 1142. (W.O., Swan Hill; S.S., Swan Hill.)

The Basin.—Supply and installation of an effluent pump for septic tank, S.S. 2329.

Toolangi.—External painting and repairs, S.S. 3237. (W.O., Alexandra; S.S., Toolangi.)

White Hills.—Supply of various timber furniture items, Technical School. (W.O., Bendigo.)

Windsor.—Repairs to roofs, S.S. 1896.

Wodonga.—Supply and installation of extension of heating and hot-water service systems to sections two and three, High School. (W.O., Wangaratta and Wodonga.)

Yallourn North.—Repairs to floors, S.S. 3967. (W.O., Traralgon; S.S., Yallourn North.)

Yan Yean.—Renovations to school and residence, S.S. 697. (S.S., Yan Yean.)

Yarra Park.—Internal and external renovations, S.S. 1406.

Tuesday, 16th January, 1962.

Branxholme.—Internal and external painting, S.S. 1978. (W.O., Warrnambool; S.S., Branxholme.)

Coleraine.—Installation of hot-water service in new residence, Police Station. (W.O., Hamilton; P.S., Coleraine.)

Dandenong.—Supply of 1-in. or 1½-in. drilling machine, Technical School.

Dennington.—Internal and external painting and repairs to school and residence, S.S. 182. (W.O., Warrnambool; S.S., Dennington.)

Derrinallum.—New concrete veneer L.T.C. school building, Higher Elementary School. (W.O., Camperdown.)

Derrinallum.—Electrical installation in type "300" new school, Higher Elementary School. (W.O., Ballarat, Hamilton, Warrnambool and Camperdown.)

Derrinallum.—Supply, delivery, installation and testing of the mechanical services, Higher Elementary School. (W.O., Camperdown.)

Echuca.—Flooring in Engineering Workshop and construction of welding bays in Motor Mechanics' Shop, Technical School. (W.O., Shepparton; T.S., Echuca.)

Eltham North.—Installation of septic tank water supply, fire service and drinking facilities, S.S. 4212.

Eltham North.—Supply and installation of an effluent pump for septic tank, S.S. 4212.

Frankston.—Motor mechanics' equipment, Technical School.

Frankston.—Supply of redgum piles, Pier, Public Works Department.

Fulton.—Six class-room concrete veneer timber-framed Primary School, S.S. 4907.

Fulton.—Electrical installation in new school of six L.T.C. class-rooms, S.S. 4907.

Fulton.—Plenum heating in new six class-room unit, S.S. 4907.

Geelong East.—Erection of new residence, Police Inspector's residence. (W.O., Geelong.)

Geelong East.—Electrical installation, Police Station residence. (W.O., Geelong.)

Glenrowan.—Extension of class-room, provision of partition and various works with painting, S.S. 1742. (W.O., Benalla; S.S., Glenrowan.)

Grahamvale.—Renovations to residence, S.S. 3696. (W.O., Shepparton.)

Hawthorn.—Supply of ten science benches, 15 ft. x 2 ft. x 2 ft. 9 in., for new Junior School, Swinburne Technical College.

Huntingdale.—Non-party fencing, High School.

Kew.—Supply and installation of three passenger lifts for main building, Mental Hospital.

Maryborough.—Repairs and painting, S.S. 404. (W.O., Maryborough.)

Melbourne.—Supply of three hundred (300) synchronous electric clocks, State Public Offices, Treasury-place.

Melbourne.—Wiring and installation of synchronous electric clocks (not including supply of clocks), State Public Offices, Treasury-place.

Melbourne.—Supply and installation of master and slave clock system, State Public Offices, Treasury-place.

Mont Park.—Supply and installation of plenum heating system for Wards F.11 and M.8, Mental Hospital.

Moorabbin West.—Erection of chain mesh and pipe post and wire fencing, S.S. 4643.

Murrayville.—Extension of cookery room and alterations, Consolidated School. (W.O., Mildura; C.S., Murrayville.)

Numurkah.—Electrical installation, exterior lighting, High School. (W.O., Wangaratta; H.S., Numurkah.)

Oakleigh.—Alteration to electrical reticulation and electrical installation for heating in two glasshouses, S.S. Nursery 4214.

Rosebud.—Repairs and painting to school and residence, High School.

Royal Park.—Supply and delivery of 50 tons of stone-filled sheet asphalt, 100 tons of 1½-in. premixed bituminous metal, 50 tons of ½-in. graded premixed bituminous screenings, 20 tons of ½-in. premixed bituminous toppings, Quamby, Social Welfare Department.

Royal Park.—Central heating extension to treatment room in female convalescent ward "A", Mental Hospital.

Sebastopol.—Erection of No. 2 shelter pavilions and store, Technical School. (W.O., Ballarat.)

Sunbury.—Repairs and renovations to foreman gardener's residence, Mental Hospital. (Mental Hospital, Sunbury.)

Tatong.—Erection of one (1) new timber shelter pavilion, S.S. 3006. (W.O., Benalla; S.S., Tatong.)

Timboon.—Electrical installation in sports pavilion, Consolidated School. (W.O., Warrnambool; C.S., Timboon.)

Traralgon.—Connexion to sewer, installation of fire service, S.S. 4652. (W.O., Traralgon.)

Warragul.—Modified first section, Technical School. (W.O., Warragul.)

Warragul.—Electrical installation in new class-room block, Technical School. (W.O., Warragul; T.S., Warragul.)

Warragul.—Supply, delivery, installation and testing of heating system and hot-water service for new building, Technical School. (W.O., Warragul.)

Warrandyte.—Installation of septic tank, fire service, water supply, drinking and ablution facilities, new out-office block for boys and new woodshed, S.S. 12.

Wesburn.—Supply and installation of an effluent pump for septic tank, S.S. 3466.

Whittlesea.—Repairs and painting, Court House. (P.S., Whittlesea.)

Whittlesea.—Supply and installation of an effluent pump for septic tank, S.S. 2090.

Tuesday, 23rd January, 1962.

Ballarat.—Supply and delivery of 50-quart mixer for the main kitchen, Mental Hospital.

Bridgewater.—External and internal repairs and painting, Police Station. (W.O., Bendigo; P.S., Bridgewater.)

Brighton.—Supply of fourteen dressmaking tables, Technical School.

Burnley.—Erection of wheat root rot glasshouse (stage one), Horticultural Gardens.

Dartmoor.—Repairs and painting to school and residence, S.S. 1035. (W.O., Warrnambool.)

Douglas.—Erection of shelter pavilion, S.S. 2044. (W.O., Horsham.)

Glen Park.—Erection of shelter pavilion, S.S. 1135. (W.O., Ballarat.)

Grenville.—Installation of septic closets, new out-offices, S.S. 1153. (W.O., Ballarat.)

Heathcote.—Repairs and painting to residence, S.S. 300. (W.O., Bendigo; P.S., Heathcote.)

Janefield.—Supply and delivery of two (2) 20 cubic feet refrigerators, Mental Hospital.

Kew.—Erection of standard therapy building, Children's Cottages, Mental Hospital. (W.O., Kew Mental Hospital.)

Kew.—Electric light and power installation in new standard therapy building, Children's Cottages, Mental Hospital.

Kew.—Supply and installation of steam convactor heaters in new occupational therapy building, Children's Cottages, Mental Hospital.

Kew.—Supply of various manchester items, "The Gables", Social Welfare Department, 101 Princes-street.

Koo-Wee-Rup.—Septic tank and fire service installations, High School. (H.S., Koo-Wee-Rup.)

Lake Burrumbeet.—Purchase and removal of old school building, S.S. 368. (W.O., Ballarat.)

Lake Charm.—Erection of new standard toilet block and installation of septic closets, S.S. 2122. (Amended specification.) (W.O., Swan Hill; S.S., Lake Charm.)

Maryborough.—Supply, delivery, installation and testing of sawdust extraction system for woodworking machine room, Technical School. (W.O., Maryborough.)

Melbourne.—Supply of divan beds, Teachers' College Hostel, 152 Toorak-road.

Mia Mia.—External and internal repairs and painting, S.S. 952. (W.O., Bendigo.)

Morwell.—Connexion to sewer and installation of fire service, &c., S.S. 4692. (W.O., Traralgon.)

Murtoa.—Erection of shelter pavilion and store, High School. (W.O., Warracknabeal.)

North Carlton.—Pipe and chain mesh framing over toilets, S.S. 1252.

Ouyen.—Septic tank installation, S.S. 3615 and residence. (W.O., Mildura; S.S., Ouyen.)

Port Melbourne.—Supply and delivery to Public Works Department Depot, Salmon-street, 925 ft. 4 in. and 675 ft. 3 in. M.M.B.W. fibrolite pipe.

Redcliffs.—Internal and external repairs and renovations to office, residence and outbuildings, Police Station. (W.O., Mildura; P.S., Redcliffs.)

South Yarra.—Part internal renovations, Melbourne High School.

Various.—Erection of 72 timber class-rooms, staff-rooms and stores in 27 Sub-District Contracts, comprising one to eight class-rooms respectively, Schools. (W.O., Bairnsdale, Ballarat, Benalla, Bendigo, Geelong, Hamilton, Kyneton, Mildura, Shepparton, Swan Hill, Wangaratta, Warracknabeal and Warrnambool.)

West Melbourne.—Rewiring and improvements to lighting, Painting and Decorating School, Royal Melbourne Institute of Technology, Annexe.

NOTE.—Plans and specifications will not be available at school buildings before 6th February, 1962.

NOTICE.

The Department of Public Works gives notice that tenders based on specified bills of quantities are being invited for the erection of a steel and reinforced concrete high school building at Malvern.

Plans are available for reference at the Department of Public Works, and for the purpose of obtaining specified bills of quantities, potential tenderers are requested to register their names with the Consulting Quantity Surveyor, namely:—

W. J. F. Tillyard,
240 Victoria-parade,
East Melbourne,
Telephone JA 3328.

Specified bills of Quantities will be available for issue at the Consultants' Office with effect from 4th January, 1962.

H. R. PETTY,
Commissioner of Public Works.

Public Works Department,
Melbourne, 19th December, 1961.

PRIVATE ADVERTISEMENTS

Town and Country Planning Acts.

CITY OF CAMBERWELL.

NOTICE THAT A PLANNING SCHEME HAS BEEN PREPARED AND IS AVAILABLE FOR INSPECTION.

*The City of Camberwell Planning Scheme 1954.—
Amendment No. 3, 1961.*

NOTICE is hereby given that the City of Camberwell, in pursuance of its powers under the Town and Country Planning Acts, has prepared a planning scheme for the City of Camberwell as defined by the grey border on the

map comprising the First Schedule of the City of Camberwell Planning Scheme 1954 for the purposes of zoning.

All maps, plans, descriptions and other data fully setting out and explaining the planning scheme have been deposited at the Municipal Chambers, Camberwell-road, Camberwell, and at the office of the Town and Country Planning Board, Melbourne, and will be open for inspection without payment of any fee by all persons affected between the hours of 9 a.m. and 4 p.m. on all days of the week, except Saturdays, Sundays and public holidays, until and including the 31st day of January, 1962.

Any persons affected by the planning scheme are required to set forth, in writing, all objections they may have, addressed to the Town Clerk, Municipal Chambers, Camberwell-road, Camberwell, on or before the 31st day of January, 1962.

L. F. CHEFFERS,
16658 Chief Administrator and Town Clerk.

CITY OF GEELONG WEST.

LOAN No. 48.

*Notice of Intention to Borrow the Sum of £10,000 for
Permanent Works and Undertakings.*

NOTICE is hereby given that the Council of the City of Geelong West proposes to borrow the sum of Ten thousand pounds on the credit of the municipal revenues of the Mayor, Councillors and Citizens of the said City, such sum to be raised by the grant of a mortgage in accordance with the provisions of the *Local Government Act 1958*.

1. The maximum rate of interest that may be paid is 5½ per cent. per annum.

2. The purposes for which the loan is to be applied are—

Renovations to municipal offices	£3,000
Public lighting installation	3,000
Underground drainage	1,000
New depot in Britannia-street	3,000
	£10,000

3. The period of the loan shall be fifteen years.

4. The moneys borrowed shall be repayable by providing out of the municipal fund 30 half-yearly instalments of approximately £506 1s. 8d. each, including principal and interest, on the 1st day of June and the 1st day of December during the currency of the loan. The first instalment shall be payable on the 1st day of June, 1962.

5. Such moneys shall be repayable at the Commonwealth Savings Bank of Australia, Melbourne.

The plans and specifications and the estimate of the cost of the proposed works, and a statement showing the proposed expenditure of the moneys to be borrowed, are open for inspection at the Town Hall, 153 Pakington-street, Geelong West.

Dated the 4th December, 1961.

16648 R. J. HAMMETT, Town Clerk.

CITY OF HORSHAM.

LOAN No. 49.

*Notice of Intention to Borrow the Sum of £5,000 for
Permanent Works and Undertakings.*

NOTICE is hereby given that the Council of the City of Horsham proposes to borrow the sum of Five thousand pounds, on the credit of the municipal revenues of the Mayor, Councillors and Citizens of the said City, such sum to be raised by the grant of a mortgage, in accordance with the provisions of the *Local Government Acts*.

1. The maximum rate of interest that may be paid is 5½ per cent. per annum.

2. The purpose for which the loan is to be applied is:—

Road construction	£2,300
Purchase of plant	2,700
	£5,000

3. The period of the loan shall be ten years.

4. The moneys borrowed shall be repayable by providing out of the municipal fund twenty half-yearly instalments of approximately £334 2s. 10d. each, including principal and interest, on the 1st day of March and the 1st day of September during the currency of the loan. The first instalment shall be payable on the 1st day of September, 1962.

5. Such moneys shall be repayable at the Commercial Bank of Australia Ltd., Melbourne, or at the Council's bankers for the time being in Melbourne.

The plans and specifications and the estimate of the cost of the proposed works, and a statement showing the proposed expenditure of the moneys to be borrowed, are open for inspection at the Town Hall, Horsham.
16647 A. R. CONN, Town Clerk.

CITY OF KEILOR.

LOAN No. 36.

Notice of Intention to Borrow the Sum of Fifteen Thousand Pounds (£15,000) for Permanent Works and Undertakings.

NOTICE is hereby given that the Council of the City of Keilor, proposes to borrow the sum of Fifteen Thousand Pounds (£15,000), on the credit of the municipal revenues of the Mayor, Councillors and Citizens of the said City of Keilor, such sum to be raised by the grant of a mortgage, in accordance with the provisions of the *Local Government Act 1958*.

1. The amount of principal moneys which it is proposed to borrow is £15,000.
2. The maximum rate of interest that may be paid is £5 17s. 6d. per centum. per annum.
3. The times at which the moneys borrowed are to be repayable are on the first days of September and March in each year, commencing on the 1st day of September, 1962, and ending on the 1st day of March, 1977, and the place at which the moneys borrowed shall be repayable is at the Commonwealth Trading Bank of Australia, Melbourne.
4. The purpose for which the loan is to be applied is—

Part cost of re-construction of Canning-street, Military-road and Milleara-road	£15,000
	£15,000

5. The manner in which the loan is to be liquidated is by the provision out of the municipal fund in each half-year during the currency of the loan of the sum of £759 2s. 5d. (including principal and interest).

The plans and specifications and the estimate of the cost of the proposed works and a statement showing the proposed expenditure of the moneys to be borrowed, are open for inspection at the Municipal Offices, Calder Highway, Keilor, during office hours.

Dated this 12th day of December, 1961.
16682 N. A. WOODS, Town Clerk.

CITY OF KEILOR.

LOAN No. 37.

Notice of Intention to Borrow the Sum of Twenty-five Thousand Pounds (£25,000) for Permanent Works and Undertakings.

NOTICE is hereby given that the Council of the City of Keilor proposes to borrow the sum of Twenty-five thousand pounds (£25,000) on the credit of the municipal revenues of the Mayor, Councillors and Citizens of the City of Keilor, such sum to be raised by the grant of a mortgage in accordance with the provisions of the *Local Government Act 1958*.

1. The amount of principal moneys which it is proposed to borrow is £25,000.
2. The maximum rate of interest that may be paid is £5 17s. 6d. per centum. per annum.
3. The times at which the moneys borrowed are to be repayable are the first days of September and March in each year, commencing on the 1st day of September, 1962, and ending on the 1st day of March, 1972, and the place at which the moneys borrowed shall be repayable is at the Australia and New Zealand Savings Bank Limited, 394-396 Collins-street, Melbourne, C.1.
4. The purpose for which the loan is to be applied is—

Part cost of re-construction of Canning-street, Military-road and Milleara-road	£25,000
	£25,000

5. The manner in which the loan is to be liquidated is by the provision out of the municipal fund in each half-year during the currency of the loan of the sum of £1,670 14s. (including principal and interest).

The plans, specifications and the estimate of the cost of the proposed works and a statement showing the proposed expenditure of the moneys to be borrowed, are open for inspection at the Municipal Offices, Calder Highway, Keilor, during office hours.

Dated this 12th day of December, 1961.
16683 N. A. WOODS, Town Clerk.

CITY OF NORTHCOTE.

LOAN No. 60.

Notice of Intention to Borrow the Sum of £10,000 for Permanent Works and Undertakings.

NOTICE is hereby given that the Council of the City of Northcote proposes to borrow the sum of Ten thousand pounds on the credit of the municipal revenues of the Mayor, Councillors and Citizens of the said City of Northcote, such sum to be raised by the grant of a mortgage in accordance with the provisions of the *Local Government Acts*.

1. The maximum rate of interest that may be paid is £5 17s. 6d. per centum per annum.
2. The purpose for which the loan is to be applied is construction of buildings at Municipal Golf Course.
3. The period of the loan shall be fifteen years.
4. The moneys borrowed shall be repayable by providing out of the municipal fund 30 half-yearly instalments of Five hundred and six pounds one shilling and seven pence (£506 1s. 7d.), including principal and interest, on the 1st day of October and the 1st day of April in each year during the currency of the loan. The first instalment shall be payable on the 1st day of October, 1962.
5. Such moneys shall be repayable at the Commercial Bank of Australia Limited, 335-9 Collins-street, Melbourne, to the credit of the Colonial Mutual Life Assurance Society Limited Ordinary General Account, or the society's bankers for the time being in the City of Melbourne.

The plans and specifications and the estimate of the cost of the proposed works, and a statement showing the proposed expenditure of the moneys to be borrowed, are open for inspection at the Municipal Offices, Northcote.
16667 E. MASON, Town Clerk and City Manager.

CITY OF PRAHRAN.

LOAN No. 28.

Notice of Intention to Borrow the Sum of £25,000 for Permanent Works and Undertakings.

NOTICE is hereby given that the Council of the City of Prahran proposes to borrow the sum of Twenty-five thousand pounds on the credit of the municipal revenues of the Mayor, Councillors and Citizens of the said City, such sum to be raised by the grant of a mortgage in accordance with the provisions of the *Local Government Act 1958*.

1. The maximum rate of interest that may be paid is 5½ per cent. per annum.
 2. The purposes for which the loan is to be applied are—
- | | |
|---|---------|
| Main road works | £17,450 |
| Construction of library at Armadale (part cost) | £7,550 |

3. The period of the loan shall be ten years.
4. The moneys borrowed shall be repayable by providing out of the municipal fund twenty half-yearly instalments of approximately £1,670 14s. each, including principal and interest, on the 1st day of August and the 1st day of February during the currency of the loan. The first instalment shall be payable on the 1st day of August, 1962.
5. Such moneys shall be repayable at the State Savings Bank of Victoria, Melbourne.

The plans and specifications and the estimate of the cost of the proposed works, and a statement showing the proposed expenditure of the moneys to be borrowed, are open for inspection at the Town Hall, Chapel-street, Prahran.

14th December, 1961.
16650 HENRY T. JONES, Town Clerk.

CITY OF PRAHRAN.

LOAN No. 29.

Notice of Intention to Borrow the Sum of £30,000 for Permanent Works and Undertakings.

NOTICE is hereby given that the Council of the City of Prahran proposes to borrow the sum of Thirty thousand pounds on the credit of the municipal revenues of the Mayor, Councillors and Citizens of the said City, such sum to be raised by the grant of a mortgage, in accordance with the provisions of the *Local Government Act 1958*.

1. The maximum rate of interest that may be paid is 5½ per cent. per annum.

2. The purposes for which the loan is to be applied are:—

Construction of Library at Armadale (balance)	£2,450
Como Park pavilion, &c.	5,550
Construction of Swimming Pool (part cost)	22,000
	£30,000

3. The period of the loan shall be ten years.

4. The moneys borrowed shall be repayable by providing out of the municipal fund twenty half-yearly instalments of approximately £2,004 16s. 9d. each, including principal and interest, on the 1st day of August and the 1st day of February during the currency of the loan. The first instalment shall be payable on the 1st day of August, 1962.

5. Such moneys shall be repayable at the National Bank of Australasia Limited, Melbourne.

The plans and specifications and the estimate of the cost of the proposed works and a statement showing the proposed expenditure of the moneys to be borrowed, are open for inspection at the Town Hall, Chapel-street, Prahran.

14th December, 1961.

16651 HENRY T. JONES, Town Clerk.

CITY OF RINGWOOD.

LOAN No. 38.

Notice of Intention to Borrow the Sum of £10,000 for Permanent Works and Undertakings.

NOTICE is hereby given that the Council of the City of Ringwood proposes to borrow the sum hereinafter mentioned on the credit of the municipal revenues of the Mayor, Councillors and Citizens of the City of Ringwood, such sum to be raised by the grant of a mortgage, in accordance with the provisions of the *Local Government Act 1958*, and notice is hereby further given:

- (a) That the amount of the principal moneys which it is proposed to borrow be £10,000.
- (b) That the maximum rate of interest that may be paid is £5 17s. 6d. per centum per annum.
- (c) That the moneys borrowed and interest thereon be repayable on the 1st day of April and October in each year and the first instalment be payable on the 1st day of October, 1962, at the English, Scottish and Australian Bank Limited, Melbourne, or at the Council's bankers for the time being in the City of Melbourne.
- (d) That the purpose for which the loan is to be applied is:—

1. Erection of buildings	£3,000
2. Road re-construction	5,000
3. Improvements to places of public resort and recreation	2,000
	£10,000

(e) The loan is to be liquidated by appropriation out of the municipal fund twenty half-yearly instalments of approximately £668 5s. 7d.

(f) That the period of the loan shall be ten years.

(g) That the plans, specifications and an estimate of the cost of such works and the statement showing the proposed expenditure of the moneys to be borrowed, are open for inspection at the office of the Council, Town Hall, Ringwood, during office hours.

Dated 18th December, 1961.

16706 F. P. DWERRYHOUSE, Town Clerk.

CITY OF RINGWOOD.

LOAN No. 40.

Notice of Intention to Borrow the Sum of £40,000 for Permanent Works and Undertakings.

NOTICE is hereby given that the Council of the City of Ringwood proposes to borrow the sum hereinafter mentioned on the credit of the municipal revenues of the Mayor, Councillors and Citizens of the City of Ringwood, such sum to be raised by the grant of a mortgage, in accordance with the provisions of the *Local Government Act 1958*, and notice is hereby further given:

- (a) That the amount of the principal moneys which it is proposed to borrow be £40,000.
- (b) That the maximum rate of interest that may be paid is £5 17s. 6d. per centum per annum.
- (c) That the purpose for which the loan is to be applied is:—

1. Drainage works	£20,000
2. Land purchase	20,000
	£40,000

(d) That the period of the loan shall be 40 years.

(e) The loan shall be repaid by the establishment of a sinking fund, pursuant to the provisions of section 428A of the *Local Government Act 1958*, by provision out of the municipal fund of an appropriate amount in each half-year during the period of the loan.

(f) That the loan shall be repaid in one amount at maturity at the office of the Local Authorities Superannuation Board, Rigby House, 15 Queens-road, Melbourne, or at such other place as the Board may require.

(g) Interest shall be payable at the office of the Board or such other place as the Board may require in half-yearly payments of £1,175 each, on the 1st day of October and the 1st day of April in each year during the period of the loan, the first of such payments being made on the 1st day of October, 1962.

(h) That the plans, specifications and an estimate of the cost of such works and the statement showing the proposed expenditure of the moneys to be borrowed, are open for inspection at the office of the Council, Town Hall, Ringwood, during office hours.

Dated 18th December, 1961.

16707 F. P. DWERRYHOUSE, Town Clerk.

CITY OF SANDRINGHAM.

BY-LAW No. 195.

A By-law of the City of Sandringham made under the provisions of the *Local Government Acts* and the *Uniform Building Regulations Victoria* and amendments thereto, with the approval of the Governor in Council, and numbered 195, for determining, applying, dispensing with or regulating such matters or things, as are left to be determined, applied, dispensed with, or regulated by the Council of the said City of Sandringham under the said *Uniform Building Regulations Victoria* and amendments thereto.

IN pursuance of the powers conferred by the *Local Government Acts* and the *Uniform Building Regulations Victoria* and amendments thereto (hereinafter referred to as "the Regulations"), and of any and every other power it thereunto enabling, the Mayor, Councillors and Citizens of the City of Sandringham order as follows:—

1. The areas set out and described in the Schedule hereto are prescribed as brick areas, and no person shall in any such area construct or cause to be constructed any buildings of Classes II, III, IV, V, VI, VII, VIII, and IX (including every existing building hereafter converted to a building of II, III, IV, V, VI, VII, VIII, and IX.) unless the external walls of such building are constructed of brick, stone, or concrete, and for the purposes of this clause, buildings of brick veneer construction shall be deemed to have external walls of brick.

2. The whole of the municipal district is hereby prescribed as an area in which buildings of Classes II and III. Occupancy shall not be constructed to contain more than two stories, including the ground story, and no person shall in any such area construct a building of Class II. or Class III. Occupancy to contain more than two stories, including the ground story.

3. The minimum area of any building of Classes I, IV. and each flat in a building of Class II. Occupancy, hereafter constructed (including every existing building hereafter converted to a building of Classes I, II. and IV. Occupancy) shall be as set out in Table I.

Area shall mean the superficial area of a horizontal section thereof made at a point of greatest surface inclusive of the external walls and of such portions of any party wall as belongs to the building.

4. The whole of the municipal district is hereby prescribed as an area in which buildings of Class II. Occupancy hereafter constructed (including every building hereafter converted to a building of Class II. Occupancy) are not to contain more than three flats, and no person shall construct or cause to be constructed more than three flats on any one allotment.

5. No building shall hereafter be constructed in the areas set out and described in the Schedule hereto unless an area or areas of land equal to the amount as set out in Table 2 is provided for the parking of wheeled vehicles.

The area or areas of land to be provided for the parking of wheeled vehicles shall be in addition to the open space as required by Table 804 and Clause 812 of the Regulations.

Class of occupancy shall be as defined by the Regulations.

6. When the ground story of a building of Class II. Occupancy is to be devoted exclusively to the parking of wheeled vehicles that section of the building may contain one story in excess of the number prescribed by clause 2 of this By-law.

7. Nothing in this By-law shall prohibit the conversion of any building erected prior to the coming into operation of the By-law into a building of Class II. Occupancy on account of the external walls of such building being of material other than brick, stone or concrete.

8. The minimum width of frontage, minimum depth and minimum area of site specified in column 3 of Table 804 of the Regulations are hereby adopted as the minimum width of frontage, depth and area of site of land on which a building shall be constructed throughout the whole of the municipal district.

9. No person shall construct any building closer to the frontage of any land than 25 feet.

10. The requirements of Clause 813 of the Regulations are hereby dispensed with in the case of a building on any land forming part of a subdivision approved by the Council and lodged in the Office of Titles prior to the date of the commencement of the Regulations.

11. By-laws Nos. 54, 59, 63, 64, 67, 80, 88, 93, 104, 106, 109, 113, 118, 121, 130, 131, 139, 140, 147, 154, 159, 174, 185, 187 and Clause I. of By-law No. 132 also clauses 2 and 3 of By-law No. 110, are hereby repealed.

12. Any person who is guilty of any wilful act or default contrary to the provisions of this By-law shall for the first offence be liable to a penalty of not more than £20 and for every subsequent offence to a penalty of not less than £3 and not more than £20, and shall be liable to a further daily penalty of not more than £5 for any offence against this By-law which is continued or repeated after a conviction or order by any court in relation to the offence.

TABLE 1.

DWELLING		
Class I. Occupancy ..	1,000 square feet.	
DWELLING		
Class IV. Occupancy ..	850 square feet.	
EACH FLAT in a building of		
Class II. Occupancy ..	850 square feet.	
Class II.—FLATS ..	200 square feet for each flat.	
Class III.—RESIDENTIAL		
BUILDINGS ..	1 car space for each 500 square feet of floor area.	
Class V.—OFFICE BUILDINGS ..	1 car space for each 200 square feet of floor area.	
Class VI.—SHOPS ..	1 car space for each 500 square feet of building.	

The area of each car space shall not be less than 200 square feet.

SCHEDULE.

North Ward—All the land commencing at a point on the foreshore of Port Phillip Bay in a line with the centre of New-street; thence northerly by a line and New-street to South-road; thence east along South-road to Bluff-road; thence south along Bluff-road to Highett-road; thence west along Highett-road to Sargood-street; thence south-westerly and westerly along Bridge-street and a line to the foreshore of Port Phillip Bay; thence north-westerly along the foreshore of Port Phillip Bay to the commencing point in line with the centre of New-street.

Central Ward—All the land commencing at a point on the foreshore of Port Phillip Bay in line with the centre of Bridge-street; thence easterly and north-easterly by a line and Bridge-street to Highett-road; thence east along Highett-road to Bluff-road; thence south along Bluff-road to Bay-road; thence east along Bay-road to Reserve-road; thence south by Reserve-road to Tulip-street; thence west along Tulip-street to Bluff-road; thence north along Bluff-road to Edward-street; thence west along Edward-street and a line to the foreshore of Port Phillip Bay; thence north-westerly along the foreshore of Port Phillip Bay to the commencing point in line with the centre of Bridge-street.

South Ward—All the land commencing at a point on the foreshore of Port Phillip Bay in line with the centre of Edward-street; thence east by a line and Edward-street to Bluff-road; thence south along Bluff-road to Tulip-street thence east along Tulip-street to Reserve-road; thence south along Reserve-road to Balcombe-road; thence

easterly along Balcombe-road to Cromer-road; thence south along Cromer-road and a line to the foreshore of Port Phillip Bay; thence south-westerly and north-westerly along the foreshore of Port Phillip Bay to the commencing point in line with the centre of Edward-street.

Resolution for passing this By-law agreed to by the Council on the 21st day of February, 1961, and confirmed on the 21st day of March, 1961.

The common seal of the Mayor, Councillors and Citizens of the City of Sandringham was hereto affixed the 21st day of March, 1961, in the presence of:—

W. JOHNSON, Mayor.
J. HERZ, Councillor.
FRED. G. TRICKS, Town Clerk.

Approved by the Governor in Council this 12th day of December, 1961.—N. G. WISHART, Acting Clerk of the Executive Council. 16654

CITY OF SANDRINGHAM.

BY-LAW No. 197.

A By-law of the City of Sandringham made under section 197 of the *Local Government Act 1958* and numbered 197 for—

- regulating sewerage and drainage;
- providing for the health of the residents in the municipal district and against the spreading of contagious or infectious diseases; and
- suppressing nuisances.

IN pursuance of the powers conferred by the *Local Government Act 1958*, the Mayor, Councillors and Citizens of the City of Sandringham order as follows:—

1. In this By-law unless inconsistent with the context or subject-matter—

- “Board” means the Melbourne and Metropolitan Board of Works.
“Council” means the Council of the City of Sandringham.
“Property” includes any land upon which a house or other building is erected.
“Sewer” means a sewer laid by the Board.
“Sullage water” includes household waste water.

2. (i) The owner of every property in respect of which a general notice has been given by the Board under section 160 (1) of the *Melbourne and Metropolitan Board of Works Act 1958* shall—

- make provision to have the sewerage carried off from such property by the sewer laid by the Board; and
- provide such proper water closet or water closets and such drains, appliances, apparatus and connexion with such sewer as may be prescribed by the Regulations of the Board—

within six months or such further time as the Council may allow from the date of the coming into operation of this By-law where such a general notice has been given prior to the said date or within six months or such further time as aforesaid from the date of any such general notice given after the coming into operation of this By-law as the case may be.

(ii) All such sewerage works and the provision of all such water closet or water closets, drains, appliances, apparatus and connexions with a sewer shall be carried out, fitted and laid in accordance with Regulations prescribed by the Board.

(iii) Any owner desirous of an extension of time beyond the said period of six months shall—

- make application, in writing, to the Council; and
- in his application give—
 - his full name and address;
 - particulars of his property;
 - the reasons why he requires an extension; and
 - any other information the Council may require.

(iv) Any owner to whom this By-law applies who fails to provide for the sewerage from his property to be carried off by a sewer and to provide such water closet or water closets, drains, appliances, apparatus or connexions as may be prescribed by the Regulations of the Board and cause the same to be connected to a sewer within the said period of six months or such further time as may be allowed by the Council shall be guilty of an offence against this By-law.

3. No person shall allow, permit or suffer, after the expiration of six months or such further time as the Council may allow from the date of the coming into

operation of this By-law where a general notice under the said section 160 (1) has been given prior to the said date or after the expiration of six months or such further time as aforesaid from the date of any such general notice given after the coming into operation of this By-law as the case may be, any sullage water to be discharged from any property affected by any such notice except into a sewer.

4. Any person guilty of a wilful act or default contrary to this By-law shall be liable to a penalty of not less than £5 or more than £20 and to a further penalty of not more than £5 for each day on which such offence is continued after a conviction or order by any court.

5. This By-law shall apply to and have operation throughout the whole of the municipal district of the City of Sandringham but it shall not apply to any property in respect to which a general notice has been served by the Board under section 160 (2) of the *Melbourne and Metropolitan Board of Works Act 1958*.

Resolution for passing this By-law agreed to by the Council on the 14th day of November, 1961, and confirmed on the 12th day of December, 1961.

In witness whereof the common seal of the Mayor, Councillors and Citizens of the City of Sandringham was hereto affixed, this 12th day of December, 1961, in the presence of—

(SEAL) THOS. I. DUFF, Mayor.
JOHN LUCAS, Councillor.
FRED G. TRICKS, Town Clerk.

16655

CITY OF SPRINGVALE.

LOAN No. 90.

Special Order to Borrow the Sum of £15,000

NOTICE is hereby given that the Council at an Ordinary Meeting held on Friday, 15th December, 1961, at 7 p.m., passed the following Resolution as a "Special Order":—

That:—

1. (a) This Council borrow moneys by the grant of a mortgage upon the credit of the municipality, pursuant to section 585 of the *Local Government Act 1958*.

(b) The amount of the principal moneys to be borrowed be £15,000.

(c) The rate of interest to be paid is £5 17s. 6d. per centum per annum.

(d) The moneys borrowed be repayable by twenty equal instalments payable respectively on the 1st day of February and on the 1st day of August of each year, the first such instalment being repayable on the 1st day of August, 1962.

(e) The moneys borrowed be repayable at the Commercial Banking Company of Sydney Savings Bank Limited, Springvale-road, Springvale.

(f) The loan be applied for the purposes of liquidating or of partly liquidating the amount due on overdraft of current account to the Council's bankers in respect of the execution of private street construction schemes, pursuant to Division 10 of Part XIX. of the *Local Government Acts*.

(g) The loan be liquidated by providing out of the Municipal Fund on the 1st day of February and on the 1st day of August of each year the sum necessary to pay the half-yearly instalment and the interest then due in respect of the loan.

2. The Council directs that this Resolution be brought forward for confirmation as a Special Order at a meeting of the Council to be held on the 15th day of January, 1962, at Seven o'clock in the afternoon.

Notice is hereby further given that the said Resolution will be submitted for confirmation at the Ordinary Meeting of the Council to be held on Monday, 15th January, 1962, at 7 p.m., in the Council Chambers, City Offices, Springvale.

16675

H. L. WILLIAMS, Town Clerk.

CITY OF WAVERLEY.

LOAN No. 41.

Notice of Intention to Borrow the Sum of £10,000 for Permanent Works and Undertakings.

NOTICE is hereby given that the Council of the City of Waverley proposes to borrow the sum of Ten thousand pounds on the credit of the municipal revenues of the Mayor, Councillors and Citizens of the said City, such sum to be raised by the grant of a mortgage in accordance with the provisions of the *Local Government Act 1958*.

1. The maximum rate of interest that may be paid is £5 17s. 6d. per cent. per annum.

2. The purposes for which the loan is to be applied are the construction of kerbs, channels and footpaths.

3. The period of the loan shall be ten years.

4. The moneys borrowed shall be repayable by providing out of the municipal fund 20 half-yearly instalments of approximately £668 5s. 7d. each including principal and interest on the first day of March and the first day of September during the currency of the loan. The first instalment shall be payable on the first day of September, 1962.

5. Such moneys shall be repayable at the English, Scottish and Australian Savings Bank Limited, Glen Waverley.

The plans and specifications and the estimate of the cost of the proposed works and a statement showing the proposed expenditure of the moneys to be borrowed are open for inspection at the municipal offices, Glen Waverley.

Dated this 20th day of December, 1961.

16659

F. S. BALES, Town Clerk.

CITY OF WAVERLEY.

LOAN No. 43.

Notice of Intention to Borrow the Sum of £40,000 for Permanent Works and Undertakings.

NOTICE is hereby given that the Council of the City of Waverley proposes to borrow the sum of Forty thousand pounds (£40,000) on the credit of the municipal revenues of the Mayor, Councillors and Citizens of the City of Waverley, such sum to be raised by the grant of a mortgage in accordance with the provisions of the *Local Government Act 1958*.

1. The maximum rate of interest that may be paid is £5 17s. 6d. per cent. per annum, payable half-yearly, the first of such payments to be made on 1st September, 1962.

2. The purposes for which the loan is to be applied are the construction of drains, the erection of public conveniences and the provision of places of public resort and recreation in the municipality.

3. The period of the loan shall be 40 years.

4. The loan is to be liquidated by the creation of a sinking fund pursuant to the provisions of section 428A of the *Local Government Act 1958*.

5. Such moneys to be repayable at the English, Scottish and Australian Bank Limited, Melbourne, or at the Council's bankers for the time being in Melbourne.

The plans and specifications and the estimate of the cost of the proposed works, and a statement showing the proposed expenditure of the moneys to be borrowed are open for inspection at the Municipal Offices, Glen Waverley.

Dated this 20th day of December, 1961.

16660

F. S. BALES, Town Clerk.

CITY OF WAVERLEY.

LOAN No. 44.

Notice of Intention to Borrow the Sum of £25,000 for Permanent Works and Undertakings.

NOTICE is hereby given that the Council of the City of Waverley proposes to borrow the sum of Twenty-five thousand pounds on the credit of the municipal revenues of the Mayor, Councillors and Citizens of the said City, such sum to be raised by the grant of a mortgage in accordance with the provisions of the *Local Government Act 1958*.

1. The maximum rate of interest that may be paid is £5 17s. 6d. per cent. per annum.

2. The purposes for which the loan is to be applied are the construction of streets, roads, footpaths and car parks, and the installation of traffic control signals.

3. The period of the loan shall be ten years.

4. The moneys borrowed shall be repayable by providing out of the municipal fund twenty half-yearly instalments of approximately £1,670 14s. each, including principal and interest, on the 1st day of March and the 1st day of September during the currency of the loan. The first instalment shall be payable on the 1st day of September, 1962.

5. Such moneys shall be repayable at the State Savings Bank of Victoria, Melbourne.

The plans and specifications and the estimate of the cost of the proposed works, and a statement showing the proposed expenditure of the moneys to be borrowed, are open for inspection at the Municipal Offices, Springvale-road, Glen Waverley.

Dated this 20th day of December, 1961.

16661

F. S. BALES, Town Clerk.

TOWN OF CASTLEMAINE.

LOAN No. 28.

Notice of Intention to Borrow the Sum of £10,000 for Permanent Works and Undertakings.

NOTICE is hereby given that the Council of the Town of Castlemaine proposes to borrow the sum of Ten thousand pounds on the credit of the municipal revenues of the Mayor, Councillors and Burgesses of the said Town, such sum to be raised by the grant of a mortgage, in accordance with the provisions of the *Local Government Act 1958*.

1. The maximum rate of interest that may be paid is £5 17s. 6d. per cent. per annum.

2. The purpose for which the loan is to be applied is to carry out the construction of footpaths, channels and drains throughout the Town.

3. The period of the loan shall be ten years.

4. The moneys borrowed shall be repayable by providing out of the Municipal Fund twenty half-yearly instalments of approximately £668 each, including principal and interest, on the 1st day of February and the 1st day of August during the currency of the loan. The first instalment shall be payable on the 1st day of August, 1962.

5. Such moneys shall be repayable at the State Savings Bank of Victoria, Melbourne.

The plans and specifications and the estimate of the cost of the proposed works, and a statement showing the proposed expenditure of the moneys to be borrowed, are open for inspection at the Town Hall.

16676

G. R. GOUGH, Town Clerk.

SHIRE OF ALTONA.

NOTICE OF INTENTION TO REQUEST DISCONTINUANCE OF ROAD—BORRACK-SQUARE.

WHEREAS the Council of the Shire of Altona is of opinion that the portion of road shown as Borrack-square on lodged plan No. 50196 (as described below) is not required for public use, the said Council hereby gives notice of its intention at the expiration of one (1) month from the date of publication hereof to request the Governor in Council to direct, in accordance with the provisions of section 528 (2) (a) of the *Local Government Act 1958*, that the said road be discontinued.

Description of Road: That portion of road shown as Borrack-square on lodged plan 50196, commencing at a point on the eastern alignment of the reserve shown as Borrack-square, being 19 feet south of the northern alignment of the said reserve (being the southern alignment of Duke-street); thence southerly along the eastern boundary of the said reserve for a distance of 181 ft. 3½ in.; thence by a line bearing 303 deg. 29 min. for a distance of 21 ft. 4½ in.; thence by a line bearing 359 deg. 23 min. for a distance of 169 ft. 4 in.; thence by a line bearing 89 deg. 25 min. for a distance of 17 ft. 11 in. to the point of commencement.

Dated at Altona this 20th day of December, 1961.

16733

JAMES W. WATERS, Shire Secretary.

Local Government Act 1958, Section 512.

SHIRE OF ALTONA.

NOTICE OF INTENTION TO TAKE LAND COMPULSORILY, FIFTH-AVENUE (FORMERLY MERTON-GROVE), ALTONA.

WHEREAS the Council of the Shire of Altona deems it expedient to execute the works or undertakings of providing the land described as the triangular shaped piece of land comprising part of lot 229 of lodged plan 11474 commencing at the north-eastern corner of lot 229; thence a distance of 20 feet southerly along the eastern boundary of the said lot (Fifth-avenue); thence by a line bearing 291 deg. 52 min. for a distance of 53 ft. 10 in. to the northern boundary of the lot; thence easterly along the northern boundary of the said lot, being the southern alignment of Mason-street for a distance of 50 feet to the point of commencement for road widening purposes.

And whereas for the purpose thereof the exercise of the compulsory power of taking the said land will in the Council's opinion be necessary and desirable.

And whereas the Council has caused to be prepared a plan setting out and describing such work or undertaking and the exact site and measurements thereof and the names of the owners or reputed owners, lessees or reputed lessees and the occupiers thereof as far as such names can be ascertained by the Council.

And whereas such plan is deposited at the office of the said Council at 128 Queen-street, Altona, and is and shall be open for inspection by all persons interested at all reasonable hours for the space of 40 clear days after publication in the *Government Gazette*.

Now notice is hereby given to all persons affected by the proposed work or undertaking and they are hereby called upon to set forth, in writing, addressed to the said Council or the Shire Secretary of the Shire of Altona within 40 clear days from the publication of this notice in the *Government Gazette* all objections which they may have to the said works or undertaking.

Dated at Altona this 21st day of December, 1961.

16734

JAMES W. WATERS, Shire Secretary.

SHIRE OF BALLARAT.

LOAN No. 26.

Notice of Intention to Borrow the Sum of £20,000 for Permanent Works and Undertakings (Re-advertised).

NOTICE is hereby given that the Council of the Shire of Ballarat proposes to borrow the sum of £20,000 on the credit of the President, Councillors and Ratepayers of the said Shire by the grant of the mortgage, in accordance with the provisions of the *Local Government Acts*.

In connexion therewith the following information is stated:—

- The amount of the proposed moneys it is proposed to borrow is £20,000.
- The maximum amount of interest to be paid is £5 17s. 6d. per centum per annum.
- The times which the moneys borrowed are to be repayable are the 1st days of March and September during the years 1962 to 1972 inclusive, and the first payment shall be payable on the 1st day of September, 1962, and that the place at which such moneys shall be repayable is the National Bank of Australasia Limited, Melbourne.
- The purpose for which the loan is to be applied is drainage works.
- The manner in which the loan is to be liquidated is by provision out of the municipal fund each half-year during the currency of the loan of the sum of £1,336 11s. 2d., which includes principal and interest.

The plans and specifications and estimate of the cost of the works and the statement showing the proposed moneys to be borrowed, are open for inspection at the Shire Offices, Wendouree.

Dated this 13th day of December, 1961.

16652

F. S. MCGRAW, Acting Shire Secretary.

SHIRE OF BARRABOOL.

LOAN No. 14.

Notice of Intention to Borrow the Sum of £5,000 for Permanent Works and Undertakings.

NOTICE is hereby given that the Council of the Shire of Barrabool proposes to borrow the sum of Five thousand pounds on the credit of the municipal revenues of the President, Councillors and Ratepayers of the said Shire, such sum to be raised by the grant of a mortgage, in accordance with the provisions of the *Local Government Act 1958*.

- The maximum rate of interest that may be paid is 5½ per cent. per annum.
- The purpose for which the loan is to be applied is purchase of plant, £5,000.
- The period of the loan shall be ten (10) years.
- The moneys borrowed shall be repayable by providing out of the municipal funds twenty half-yearly instalments of £334 2s. 9d. each, including principal and interest, on the 1st day of April and the 1st day of October during the currency of the loan. The first instalment shall be payable on the 1st day of October, 1962.
- Such moneys shall be payable at Australia and New Zealand Bank Limited, 394 Collins-street, Melbourne.

The plans and specifications and the estimate of the cost of the proposed works, and a statement showing the proposed expenditure of the moneys to be borrowed, are open for inspection at the Shire Office, 441-3 Moorabool-street, South Geelong.

16666

THOS. GOODALL, Shire Secretary.

SHIRE OF BRIGHT.

LOAN No. 28.

Notice of Intention to Borrow the Sum of Four Thousand Pounds (£4,000) for Permanent Works and Undertakings.

NOTICE is hereby given that the Council of the Shire of Bright proposes to borrow the sum of Four thousand pounds (£4,000) on the credit of the municipal revenues of the President, Councillors and Ratepayers of the Shire of Bright, such sum to be raised by the grant of a mortgage in accordance with the provisions of the *Local Government Act 1958*.

1. The amount of principal moneys which it is proposed to borrow is £4,000.
2. The maximum rate of interest that may be paid is £5 per centum per annum.
3. The moneys borrowed shall be repayable by providing out of the municipal fund 40 half-yearly instalments of £159 6s. 11d. each, including principal and interest, on the 1st day of September and the 1st day of March during the years 1962-82 inclusive. The first instalment shall be payable on the 1st September, 1962.
4. Such moneys shall be repayable at the Australia and New Zealand Bank, Melbourne, or at the Council's bankers for the time being in Melbourne.
5. The purpose for which the loan is to be applied is the provision of camping park manager's residence.

The plans and specifications and the estimate of the cost of the proposed works, and a statement showing the proposed expenditure of the money to be borrowed, are open for inspection at the Shire Offices, Bright.

Dated this 14th day of December, 1961.

16665

H. G. HAYMES, Shire Secretary.

SHIRE OF BRIGHT.

NOTICE is hereby given that First Constable Thomas Ward Luscombe, No. 9602, and First Constable John Aloysius Owens, No. 8726, have been appointed Prosecuting Officers and Inspectors of Nuisances to the Shire of Bright, in place of First Constable Ronald A. N. Kirk, No. 8499.

H. G. HAYMES, F.I.M.A., Shire Secretary.

14th December, 1961.

16662

SHIRE OF CORIO.

DEDICATION OF PUBLIC HIGHWAYS.

WHEREAS certain private streets being more than 15 feet in width, having been constructed to the satisfaction of the Council, but were not constructed pursuant to Division 10 of Part XIX. or Part XLII. of the *Local Government Act 1958*, or any corresponding previous enactment:

And whereas the Housing Commission of Victoria, being the owners of so many of the premises fronting each street respectively, has made application to the Council to have such streets declared to be dedicated to the public as public highways:

Now therefore the Council of the Shire of Corio, in pursuance of the provisions of section 587 (3) of the *Local Government Act 1958*, hereby declares that the said streets as listed hereinafter shall be dedicated to the public as public highways:—

NORLANE HOUSING ESTATE.

Section 2.

Taroonga-court.	Takoma-court.
Kagoola-court.	Cobargo-court.
Ulladulla-avenue.	Waitara-grove.
Morona-avenue.	Karrin-street.
Narooma-street.	Karrin-court.
Bingara-avenue.	Marnoo-court.
Alkira-avenue.	Warrawee-avenue.
Kalinga-avenue.	The Boulevarde.

Right-of-way along northern boundaries of lots 107 and 134 (rear of shops, Alkira-avenue).

Section 3.

Iona-street.	Carnation-court.
Orchid-street.	Stock-street.
Tallis-street.	Tulip-street.
Rose-avenue.	Nerine-court.
Watsonia-grove.	Gerbera-avenue.
Salvia-street.	Plume-street.
Gardenia-grove.	

Right-of-way along northern boundary of lots 1, 2, 3, 4, 5, 6 and 7 (rear of shops, Rose-avenue).

Section 4.

Bellbird-avenue.	Wren-street.
Kookaburra-court.	Thrush-street.
Curlew-crescent.	Kestrel-court.
Emu-court.	Dove-street.
Swallow-parade.	Jay-street.
Falcon-street.	Ibis-court.
Finch-street.	Flamingo-court.
Gull-street.	Rosella-court.

The common seal of the President, Councillors and Ratepayers of the Shire of Corio was affixed this 12th day of December, 1961, in the presence of—

(SEAL)

J. MURRAY, Shire President.
A. S. THOMSON, Councillor.
W. MYERS, Shire Secretary.

16663

SHIRE OF FERN TREE GULLY.

NOTICE is hereby given that Sergeant James Disher Darley, No. 9876, has been appointed as a Prosecuting Officer for the Shire of Fern Tree Gully as from 2nd October, 1961, to replace Senior Constable Anthony Pearce James, No. 8727 (retired).

16670

D. J. BAKER, Shire Secretary.

SHIRE OF FRANKSTON.

DECLARATION.—PUBLIC HIGHWAY.

PURSUANT to the provisions of section 587 (3) of the *Local Government Act 1958*, the following private streets having been constructed to the satisfaction of the Council of the Shire of Frankston are hereby dedicated to the public as Public Highways:—

Part of Service-road.
Part of Forest-drive.
Part of Plantation-avenue.
Laurel-court.
Elm-court.
Part of Pine-street.
Part of Tallow-wood-street.
Blackbutt-court.
Ironbark-court.
Stringybark-crescent.
Karri-court.
Jarrah-court.
Mahogany-avenue.

The common seal of the President, Councillors and Ratepayers of the Shire of Frankston was hereto affixed in the presence of—

(SEAL)

E. R. BELL, President.
L. WALKER, Councillor.
G. C. PENTLAND, Shire Secretary.

Dated this 18th day of December, 1961.

16680

SHIRE OF FRANKSTON.

LOAN No. 69—£10,000.

Special Order.

NOTICE is hereby given that the Council of the Shire of Frankston did, at a Meeting held on Monday, 13th November, 1961, agree to the following Resolution:—

(i) That this Council borrow the sum of £10,000 by the grant of mortgage for such amount secured on the credit of the President, Councillors and Ratepayers of the municipality, in accordance with the provisions of section 585 of the *Local Government Act 1958*, as amended.

(ii) That the rate of interest to be paid is £5 17s. 6d. per centum per annum.

(iii) That the period of the loan be ten (10) years and the moneys borrowed be repayable by half-yearly instalments of £506 1s. 8d. approximately, including principal and interest, on the 1st day of July and the 1st day of January during the currency of the loan, the first instalment being payable on the 1st day of July, 1962.

(iv) That such moneys be repayable at the Commonwealth Savings Bank of Australia at Frankston.

(v) That the loan be applied for the purpose of constructing private streets within the Shire of Frankston, in pursuance of and in accordance with the provisions of Division 10 of Part XIX. of the *Local Government Act 1958*.

And notice is hereby further given that the said Council did, at a Meeting held on Monday, 18th December, 1961, confirm such Resolution.

G. C. PENTLAND, Shire Secretary.

Shire Office, Frankston.

16645

SHIRE OF GRENVILLE.

NOTICE is hereby given that First Constable Charles Frederick Carr, No. 8763, has been appointed Prosecuting Officer for the Northern Section of the Shire of Grenville, in place of First Constable Joseph R. Watts, No. 8644.

16646

L. OLDHAM, Shire Secretary.

SHIRE OF McIVOR.

WHEREAS the Council of the Shire of McIvor deems it expedient to execute the following works or undertaking, namely:—

Provision for Recreation Reserve for the Township of Tooborac.

And whereas for this purpose the exercise of the compulsory power of taking the land described in the Schedule hereto will in the Council's opinion be necessary and desirable.

And whereas the said Council has caused to be prepared maps and plans showing such land and the occupiers thereof as far as such names can be ascertained by the said Council.

And whereas such maps and plans are deposited at the office of the said Council, at Heathcote, and are and shall be opened for inspection by all persons interested, at all reasonable hours, for the space of forty (40) clear days from the publication of this notice in the *Government Gazette*.

Now notice is hereby given to all persons affected by the proposed works and undertakings, and they are hereby called upon to set forth, in writing, addressed to the said Council or the Shire Secretary of the Shire of McIvor within forty (40) days from the publication of this notice in the *Government Gazette*, all objections which they may have to the said works or undertaking.

SCHEDULE HEREINBEFORE REFERRED TO.

All that piece of land being part Crown allotment 2, section 2, Parish Tooborac, County of Dalhousie, being the land more particularly described in certificate of title, volume 6277, folio 289, lodged with the Office of Titles, Melbourne, and being the land commencing at the north-east corner of the said allotment; thence by a line bearing 180 deg. 11 min. for 395 links; thence by a line bearing 270 deg. 11 min. for 166.7 links; then by a line bearing 180 deg. 11 min. for 150 links; then by a line bearing 270 deg. 11 min. for 157.2 links; then by a line bearing 180 deg. 11 min. for 310 links; then along a closed Government road at a bearing of 270 deg. 11 min. for 125 links; then by a line bearing 341 deg. 37 min. 486.1 links; then along a line bearing 295 deg. 19 min. for 155 links; then by a line bearing 338 deg. 5 min. for 652.5 links; then by a line bearing 23 deg. 0 min. for 280.8 links; then by a line bearing 60 deg. 6 min. for 526.5 links; then along the Country Roads Board highway at a bearing 152 deg. 10 min. for 906 links to the point of commencement. Area 9 acres 1 rood 9 perches.

W. B. H. ASHBURN, Acting Shire Secretary.
Shire Hall, Heathcote, 12th December, 1961. 16640

Local Government Act 1958.

SHIRE OF MILDURA.

DECLARATION OF PRIVATE STREETS AS PUBLIC HIGHWAYS.

IN pursuance of the power conferred by section 587 (3) of the *Local Government Act 1958*, the Council of the Shire of Mildura on the application of the owners of so many of the premises as in rateable value are the greater part of all the premises fronting on the streets hereinafter mentioned, being private streets within the Municipal District of the Shire of Mildura more than 15 feet in width constructed to the satisfaction of the Council, but not constructed pursuant to Division 10, Part XIX. or Part XLII., of the *Local Government Act 1958*, or any corresponding previous enactment, hereby declares such streets to be dedicated to the public as public highways.

The streets in respect of which this declaration is made are:—

Chislett-crescent, and that part of Box-street, being the constructed loop fronting lots 4/10 on L.P. 20625, being streets of the Housing Commission estates, Merbein.

In witness whereof the common seal of the President, Councillors and Ratepayers of the Shire of Mildura, was hereby affixed this 7th day of December, 1961, in the presence of—

(SEAL) H. CRAMP, President.
J. R. GORDON, Councillor.
A. D. HARVEY, Shire Secretary. 16653

SHIRE OF MYRTLEFORD.

DECLARATION OF A PUBLIC HIGHWAY.

NOTICE is hereby given that, pursuant to the provisions of the *Local Government Acts* the Council of the Shire of Myrtleford has declared Bird-avenue and John-street, as set out in lodged plan 54215, being parts C.A.35a, 36a, section 9A, Parish of Myrtleford, a public highway.

16679

K. S. LANE, Shire Secretary.

SHIRE OF NARRACAN.

LOAN No. 20.

Notice of Intention to Borrow the Sum of £5,000 for Permanent Works and Undertakings.

NOTICE is hereby given that the Council of the Shire of Narracan proposes to borrow the sum of Five thousand pounds on the credit of the municipal revenue of the President, Councillors and Ratepayers of the said Shire, such sum to be raised by the grant of a mortgage, in accordance with the provisions of the *Local Government Act 1958*.

1. The maximum rate of interest that may be paid is £5 17s. 6d. per cent. per annum.

2. The purposes for which the loan is to be applied are:—

Construction of Selling Ring at Trafalgar	
Municipal Saleyards	£1,000
Land Purchase and Establishment of Garbage Disposal Areas	2,450
Street and Footpath Construction	1,550
	<u>£5,000</u>

3. The moneys borrowed shall be repayable by providing out of the municipal fund twenty half-yearly instalments of £334 2s. 10d., including principal and interest, on the 1st day of March and 1st day of September, during the currency of the loan. The first instalment shall be payable on the 1st day of September, 1962.

4. Such moneys shall be repayable at the Commonwealth Savings Bank of Australia, Melbourne.

The plans, specifications and the estimate of cost of the proposed works, and a statement showing the proposed expenditure of the moneys to be borrowed, are open for inspection at the Shire Office, Trafalgar.

16642

W. F. NELSON, Shire Secretary.

SHIRE OF RUTHERGLEN.

BY-LAW No. 20.

A By-law of the Shire of Rutherglen, made under section 4 of the *Police Offences Act 1958*, and numbered 20, for extending to the Shire certain portions of the *Police Offences Act 1958*.

IN pursuance of the powers conferred by the *Police Offences Act 1958* and of any and every other power it thereunto enabling, the Council of the Shire of Rutherglen orders as follows:—

1. That By-law No. 2/1907 be hereby repealed.

2. That Part 1 of the *Police Offences Act 1958*, with the exception of section 6 hereof, be hereby extended to the whole of the Shire of Rutherglen.

3. That this By-law shall come into operation on the day after its publication in the *Victoria Government Gazette*.

Resolution for passing this By-law was agreed to by the Council on the 3rd day of November, 1961, and confirmed on the 8th day of December, 1961.

The common seal of the President, Councillors and Ratepayers of the Shire of Rutherglen was hereto affixed the eighth day of December, 1961, in the presence of—

(SEAL) A. FORBES, Shire President.
S. C. DIFFEY, Councillor.
W. JASPER, Councillor.
C. A. RICKETTS, Shire Secretary. 16664

SHIRE OF WODONGA.

PROPOSED RE-SUBDIVISION OFF STANLEY-STREET, WODONGA.

NOTICE is hereby given that Council desires to proceed with the proposed subdivision of land off Stanley-street, Wodonga, under section 605 of the *Local Government Act 1958*.

The scheme provides for the purchase of land known as 25 Stanley-street, Wodonga, together with land at the rear of a number of properties which abut Stanley, Smythe, Lawrence and Hume streets.

It is proposed to construct a street on portion of the land and provide fifteen new allotments abutting the new street.

A copy of the scheme has been deposited at the Council Chambers, High-street, Wodonga, and may be inspected by any person, free of charge, during office hours.

All persons affected by the scheme are invited to set forth, in writing, addressed to the Shire Secretary, Wodonga, on or before 30th January, 1962, all objections which they may have to the scheme. Council will consider any objections to the scheme at its Meeting to be held on 7th February, 1962.

16669

H. McK. SILKE, Shire Secretary.

SHIRE OF WOORAYL.

BY-LAW No. 47.

A By-law by the Shire of Woorayl, made under section 85 of the *Health Act* 1958, and numbered 47, for fixing the limits inside which it shall be unlawful to keep swine or any pig sty.

IN pursuance of the powers conferred by the *Health Act* 1958, the President, Councillors and Ratepayers of the Shire of Woorayl order as follows:—

1. This By-law shall come into full force and effect immediately after its publication in the *Government Gazette*.

2. No person shall keep or permit or suffer to be kept any swine or any pig sty within the limits of the area to which this By-law applies as described in clause 6.

3. The proper officer of the Council shall have the power to enter into or upon any premises, yards or lands at any reasonable hour for the purpose of carrying out the provisions of this By-law.

4. Every person who does not do anything directed to be done or does anything forbidden to be done by or under this By-law shall be guilty of an offence against this By-law.

5. Every person found guilty of an offence against this By-law shall be liable to a penalty of not more than Twenty pounds, and in the case of a continuing offence a further daily penalty of not more than Five pounds.

6. This By-law shall apply to and have operation throughout the following part of the municipal district, that is to say:—

"Within the boundaries of the Township of Leon-gatha."

Resolution for passing this By-law No. 47 was agreed to by the Council on the 11th day of August, 1961, and was confirmed on the 15th day of September, 1961.

The common seal of the President, Councillors and Ratepayers of the Shire of Woorayl was hereunto affixed, in the presence of—

(SEAL) A. E. BENTLEY, President.
CHAS. HYLAND, Councillor.
A. BEANLAND, Secretary.

Submitted to the Commission of Public Health, on the 31st day of October, 1961.—A. T. GARDNER, Secretary, Commission of Public Health.

Approved by the Governor in Council, on the 21st day of November, 1961.—N. G. WISHART, Acting Clerk of the Executive Council. 16657

NOTICE is hereby given that the Wodonga Bowling Club has applied for a lease for a term of 21 years under section 134 of the *Land Act* 1958 of part of the Recreation and Plantation Reserve, Township and Parish of Wodonga, containing approximately 3 acres, as a site for the purposes of Amusement and Recreation (Bowling Club). 16612

NOTICE is hereby given that Hardbar Proprietary Limited has applied for a lease under section 134, *Land Act* 1958, for a term of 48 years from 16th February, 1962, of allotment 6B, section 59, City of Port Melbourne, as a site for a warehouse and engineering workshop. 16371

NOTICE is hereby given that Henry Berry and Company (Australasia) Limited has applied for a lease under section 134 of the *Land Act* 1958, for a term of 59 years from 12th March, 1962, of allotment 8, section 55F, City of Port Melbourne, Parish of Melbourne South, containing about 3 acres, as a site for Warehouse and Factory purposes. 16479

BENDIGO SEWERAGE AUTHORITY.

CIVIC BUILDINGS, HARGREAVES-STREET, BENDIGO.

THE Bendigo Sewerage Authority, having made provision for carrying off the sewage from each and every property which or any part of which is within the Sewerage Area hereinafter described, doth hereby declare that on and after the 1st day of January, 1962, each and every property which or any part of which is within the said Sewerage Area shall be deemed to be a sewered property within the meaning of the Sewerage Districts Acts.

The boundaries of the Sewerage Areas hereinbefore referred to are:—

Sewerage Area No. 188.

Commencing at the intersection of the boundary of Sewerage Area No. 187 with the eastern side of Holland-street; thence north-easterly along Holland-street to its intersection with the northern boundary of Crown allotment 132, no section, Parish of Sandhurst; thence easterly along the said Crown allotment boundary to its intersection with the northern boundary of Crown allotment 133, no section, Parish of Sandhurst; thence north-easterly along the said Crown allotment to Mill-street and by a line across Mill-street to the southernmost corner of Crown allotment 139, no section, Parish of Sandhurst; thence generally northerly along the eastern side of Mill-street to its intersection with the southern side of McKay-street; thence easterly along the southern side of McKay-street to its intersection with eastern boundary of lot 23 of plan of subdivision of part of Crown allotments Nos. 134 and 139; thence southerly along the eastern boundaries of lots 23 and 22 of the said plan of subdivision to the intersection of the northern boundary of lot 8 of said plan of subdivision; thence easterly along the said northern boundary and southerly along the eastern boundaries of lots 8 and 9; thence westerly along the southern boundary of lot 9 and southerly along the eastern boundaries of lots 19, 18, 17 and 16 and easterly along the northern boundary of lot 13 to a State Rivers and Water Supply Commission channel; thence generally southerly along the said water channel to the southern boundary of lot 24 of the aforesaid subdivision; thence generally easterly and southerly along the boundaries of lots 24 and 34 to St. Aidens-road; thence generally westerly along St. Aidens-road to the boundary of Sewerage Area No. 187 and generally north-westerly along the said Sewerage Area boundary to the point of commencement.

Sewerage Area No. 189.

Commencing at the intersection of Monreith-avenue with the boundary of Sewerage Area No. 161; thence south-easterly along the centreline of Monreith-avenue and by a line being the prolongation thereof to the eastern boundary of Crown allotment 1, section B, Parish of Sandhurst; thence southerly along the said eastern boundary and along Race-street to the south-eastern corner of Crown allotment 4, section A, Parish of Sandhurst; thence westerly along the southern boundaries of Crown allotments 4 and 3 and southerly along the eastern boundaries of Crown allotments 7 and 8 and south-westerly along the south-eastern boundary of Crown allotment 8 of the said section A to Wirth-street; thence southerly along Wirth-street to the sewerage district boundary; thence westerly along the sewerage district boundary to the Huntly-race; thence westerly along the Huntly-race to the boundary of Sewerage Area No. 130 and generally northerly along the boundaries of Sewerage Areas Nos. 130 and 161 to the point of commencement.

Sewerage Area No. 190.

Commencing at the most northerly corner of Sewerage Area No. 154; thence generally northerly along the boundary of Sewerage Area No. 158 to the north-western corner of Crown allotment 82B, section 8, Township of Kangaroo Flat, Parish of Sandhurst; thence easterly and southerly along the boundaries of the said Crown allotment to the boundary of Sewerage Area No. 154; thence westerly along the boundary of Sewerage Area No. 154 to the point of commencement.

Sewerage Area No. 191.

Commencing on the north-eastern boundary of Crown allotment 7, section 57B, at Bendigo, being a point on the eastern boundary of Sewerage Area No. 179; thence south-easterly along the said north-eastern boundary to the Bendigo Creek; thence generally southerly along the Bendigo Creek to Alder-street; thence north-westerly along Alder-street to Mackenzie-street west; thence generally northerly along the boundary of Sewerage Area No. 179 to the point of commencement.

Sewerage Area No. 192.

Commencing at the junction of the boundaries of Sewerage Areas Nos. 179 and 149; thence in a clockwise direction along the boundaries of Sewerage Areas Nos. 149, 50, 164 and 179 to the point of commencement.

Sewerage Area No. 193.

Commencing at north-eastern corner of Sewerage Area No. 181; thence northerly by a line across Weatherall-street, and along the western boundaries of Crown allotments 360w and 360u, section M, Parish of Sandhurst; thence easterly along the northern boundaries of Crown allotments 360u, 360r, 360s, 544b and 544 and across Christian-street to the south-western corner of Crown allotment 361; thence northerly along Christian-street; thence easterly along the southern boundaries of Crown allotments 359 and 358; thence southerly along the prolongation of the eastern boundary of Crown allotment 358 for a distance of 1½ chains; thence by a line bearing north 80 degrees east to the western side of Wood-street; thence northerly along Wood-street to a point on the western prolongation of the northern boundary of lot 2 of plan of subdivision of Crown allotment 239, section F; thence easterly across Wood-street and along the said northern boundary to the western boundary of Crown allotment 240; thence southerly and easterly along the western and southern boundaries of the said Crown allotment 240 and along the southern boundaries of Crown allotments 241 and 336 to Smalley-street; thence southerly along Smalley-street to McGowan-street; thence south-westerly along McGowan-street to the boundary of Sewerage Area No. 181; thence northerly along the boundary of Sewerage Area No. 181 to the point of commencement.

By order of the Bendigo Sewerage Authority,

16641

T. R. FLOOD, Chairman.
H. A. MOORS, Secretary.

GEELONG WATERWORKS AND SEWERAGE TRUST.

THE above-mentioned Trust having made provision for carrying off the sewage from each and every property which or any part of which is within the sewerage areas hereinafter described doth hereby declare that on and after the 1st day of January, 1962, each and every property which or any part of which is within the said sewerage areas shall be deemed and taken to be sewered property within the meaning of the *Geelong Waterworks and Sewerage Act 1958*.

SEWERAGE AREA No. 234.

City of Geelong West, Parish of Moorpanyal, County of Grant.

Commencing at a point being the north-east corner of the intersection of McCurdy-road and Rix-street and the said point being also on the south-west corner of Sewerage Area No. 221; thence proceeding easterly along north side of Rix-street, being also the common boundary of Sewerage Area No. 221, and crossing Cole-street and Freeman-street and North Geelong-Fyansford railway, to a point being the intersection with the prolongation of east side of lot No. 73 Kedleston-road and being on south boundary of railway reserve; thence proceeding southerly along the said prolongation and continuing southerly along east boundary of lots Nos. 73-77 inclusive in Kedleston-road and crossing Douglass-street and continuing southerly along east boundaries of lots Nos. 78-83 inclusive to a point being north-east corner of lot No. 306 Wirksworth-street; thence proceeding easterly along north side of lot No. 306 and crossing Wirksworth-street and continuing along north boundaries of lot No. 303 of Wirksworth-street and lots Nos. 302, 301 and 300 Ashbourne-street to a point being north-east corner of lot No. 300 and the said point being also on the boundary of Sewerage Area No. 176; thence proceeding southerly along east side of lot No. 300 and crossing Ashbourne-street to a point being south-east corner of lot No. 277 Ashbourne-street and the said point being also boundary of Sewerage Area No. 176; thence proceeding easterly along north side of lots Nos. 265, 264 and 263 Itkeston-street to a point being north-east corner of lot No. 263 Itkeston-street and the said point being also on the boundary of Sewerage Area No. 176; thence proceeding southerly along east side of lot No. 263 Itkeston-street to the north side of said street; thence proceeding easterly along north side of Itkeston-street to a point being the intersection of the prolongation of east side of lot No. 31 Itkeston-street and the said point being also on boundary of Sewerage Area No. 186; thence proceeding southerly along the prolongation across Itkeston-street and continuing southerly along the east boundary of lot No. 31 to a

point being the south-east corner of said lot and the said point being also boundary of Western Cemetery; thence proceeding westerly along north boundary of Western Cemetery to a point being north-west corner of Western Cemetery; thence proceeding southerly along west boundary of Western Cemetery and the said boundary being also east side of Norwood-street and crossing Finchaven-street and continuing southerly along east side of Norwood-street to a point being the intersection of the prolongation of south side of Fraser-street, and the said point being also the north-east corner of Sewerage Area No. 100; thence proceeding westerly along south side of Fraser-street and crossing Stewart-street and Heytesbury-street and crossing the North Geelong-Fyansford railway to a point being the south-east corner of the intersection of Fraser-street and McCurdy-road; thence proceeding northerly across the North Geelong-Fyansford railway and continuing northerly on the east side of McCurdy-road and crossing Rod-street, Joyce-parade, Bakewell-street, Matlock-street and Rix-street, to the point of commencement.

SEWERAGE AREA No. 239.

Shire of South Barwon, Parish of Barrabool, County of Grant.

Commencing at a point being on the west side of Montague-street 148 ft. 3 in., north from Barrabool-road, and the said point being also on the boundary of Sewerage Area No. 223; thence proceeding westerly along south boundaries of lot No. 1 Montague-street and lot No. 16 Elizabeth-street to a point being on the east side of Elizabeth-street 126 ft. 1 in., north from Barrabool-road; thence northerly along east side of Elizabeth-street for a distance of 203 feet to a point on east side of Elizabeth-street; thence easterly along north boundaries of lot No. 13 Elizabeth-street and lot No. 4 Montague-street to a point being on west side of Montague-street; thence southerly along west side of Montague-street for a distance of 203 ft. 9 in. to the point of commencement.

SEWERAGE AREA No. 240.

Shire of Corio, Parish of Moorpanyal, County of Grant.

Commencing at a point being the north-east corner of the intersection of The Esplanade and Seaforth-street, and the said point being also on common boundaries of Sewerage Areas Nos. 182 and 99; thence proceeding westerly along north side of The Esplanade and crossing Seabright-street and Seaside-parade to a point being on north side of The Esplanade and a distance of 370 feet from Seaside-parade; thence northerly by a line parallel to Seaside-parade for a distance of 620 feet; thence easterly for a distance of 350 feet to a point being on west side of Seaside-parade; thence southerly for a distance of 285 feet along the west side of Seaside-parade; thence easterly crossing Seaside-parade and continuing easterly along north boundaries of lot No. 128 Seaside-parade and lot No. 93 Seabright-street and crossing Seabright-street on the prolongation of the north boundary of said lot No. 93 to a point being on the east side of Seabright-street; thence northerly for a distance of 100 feet along east side of Seabright-street to a point being north-west corner of lot No. 90 Seabright-street; thence easterly a distance of 149 ft. 9 in. along north boundary of lot No. 90 Seabright-street to a point being the south-west corner of lot No. 60 Seaforth-street; thence northerly for a distance of 50 feet along west boundary of lot No. 60 to a point being the north-west corner of lot No. 60 Seaforth-street; thence easterly along north boundary of lot No. 60 Seaforth-street and crossing Seaforth-street on the prolongation of the north boundary of said lot No. 60 to a point being on east side of Seaforth-street; thence southerly along east side of Seaforth-street to the point of commencement.

By Order of the Geelong Waterworks and Sewerage Trust.

16678

(SEAL)

J. W. CARR, Chairman.
B. C. HENSHAW, Secretary.

I, GIUSEPPE GALLUCCIO, of Swan Hill, in the State of Victoria, market gardener, heretofore called and known by the name Girolamo Fama, give public notice that by deed poll, dated the 1st December, 1961, duly executed and attested and deposited with the Registrar-General in the said State, on the 6th December, 1961, formally and absolutely renounced and abandoned the said name of Girolamo Fama and declared that I have assumed and adopted and intended thenceforth upon all occasions whatsoever to use and subscribe the name of Giuseppe Galluccio, and so as to be at all times thereafter called, named and described by the said name of Giuseppe Galluccio.

DELANY & DELANY, 270 Campbell-street, Swan Hill.
16705

NOTICE OF INTENTION TO APPLY FOR A LICENCE TO DIVERT WATER AND CUT RACE FROM THE GOULBURN RIVER AT KOTUPNA.

I HEREBY give notice that I intend to apply for a licence empowering me to divert water for a term of nine and a half years to the extent of 40 acre-feet per annum at a maximum rate of 6 acre-feet per day of 24 hours for the irrigation of and additional 20 acres of permanent pastures, being part of allotment 28, section —, Parish of Kotupna, and to occupy certain Crown lands for works of diversion, and to cut a race thereon.

Any objection to such application must be forwarded, in writing, to reach the State Rivers and Water Supply Commission, Melbourne, before 20th December, 1961, being 30 days from the first publication of this notice.

ROBERT JAMES COLMAN.
Kotupna, via Nathalia. 16649

PARTNERSHIP ACT 1958.

TAKE notice of the dissolution of partnership between Neville William Moore, Iris Anzac Moore and Charles Edmund Wright, who carried on business as hotelkeepers at the Woolpack Hotel, St. Arnaud North, under the name of "Moore and Wright", by deed of dissolution dated the 29th day of August, 1961.

N. W. MOORE.
I. A. MOORE.
C. E. WRIGHT.

16677

NOTICE is hereby given that the partnership heretofore subsisting between Nathan Blicblau, of 28 Milton-street, Elwood, and Izaak Mieszewicz, of 14 Milton-street, Elwood, carrying on business as shoe manufacturers, at 229 Malvern-road, South Yarra, under the style or firm name of Toe-Top Shoe Company, has been dissolved by mutual consent of the parties as from the 29th day of November, 1961, so far as concerns the said Izaak Mieszewicz, who retires from the said firm.

Dated the 29th day of November, 1961.

Signed by the said Nathan Blicblau in the presence of—

M. MEERKIN.

Signed by the said Izaak Mieszewicz in the presence of—

M. MEERKIN.

16643

NOTICE is hereby given that the partnership heretofore subsisting between Clyde William Drysdale, Vera Gladys Drysdale, John Edwin Jefferies, and Lorna Anne Jefferies, carrying on business of a retail grocer and delicatessen, at The Centreway, Keilor East, under the style of "The Centreway Self Service", has been dissolved by mutual consent as from the 29th day of October, 1960.

Dated the 19th day of December, 1961.

C. DRYSDALE.
V. DRYSDALE.
J. E. JEFFERIES.
L. A. JEFFERIES.

16730

NOTICE OF DISSOLUTION OF PARTNERSHIP.

NOTICE is hereby given that the partnership between Peter Sztogryn, of 3 Maxwell-street, Ardeer, and Keith Flack, of 43 Eirene-street, Yarraville, in the State of Victoria, carrying on business at Patterson-avenue, Sunshine, in the said State, under the name of Edelstone Trading Company, has been dissolved by notice of dissolution of partnership.

Dated this 17th day of October, 1961.

P. SZTOGRYN.
K. FLACK.

Jones and Kennedy, solicitors, 213 Nicholson-street, Footscray. 16685

NOTICE is hereby given that the partnership heretofore subsisting between Valer Mihala and Leslie Rubinstein and Elliot Rubinstein, carrying on business under the style of "Pan Opal", has been dissolved as from the 15th day of December, 1961, so far as concerns the said Elliot Rubinstein, who retires from the said firm. All debts due to or owing by the said late firm will be received and paid respectively by the remaining partners.

Dated this 15th day of December, 1961.

ELLIOT RUBINSTEIN.
L. RUBINSTEIN.
V. MIHALA.

Todd Trevaks, LL.B., solicitor, 560 Lonsdale-street, Melbourne. 16696

NOTICE is hereby given that the partnership heretofore subsisting between the undersigned Basil Pateras, of 61 Willesden-road, Hughesdale, clerk, and George Tringas, of 148 Albert-street, Port Melbourne, panel beater, under the firm name of "Venus Motor & Body Works", at 31 Butler-street, North Richmond, has been dissolved by mutual consent as on and from the 18th day of December, 1961. The said business will as on and from the 18th day of December, 1961, be carried on at the same address by the said George Tringas as sole proprietor. All debts due and owing by the said late firm will be received and paid by the said George Tringas at either of the above addresses.

Dated the 18th day of December, 1961.

16690 GEORGE TRINGAS.
BASIL PATERAS.

NOTICE OF DISSOLUTION OF PARTNERSHIP.

NOTICE is hereby given that the partnership heretofore subsisting between us the undersigned Cyril David Bourdon and Morris Maxwell Bourdon, both of Nhill, plumbers, carrying on business as general plumbers and boring contractors, at 52 Victoria-street, Nhill, in the State of Victoria, has been dissolved by mutual consent as from the 6th day of November, 1961. The said Morris Maxwell Bourdon will carry on the said business at the same place and will receive and pay all debts owing to and by the former partnership.

Dated this 12th day of December, 1961.

C. D. BOURDON.
MORRIS M. BOURDON.

Witness to both signatures—J. M. HOBDAY, solicitor, Nhill.

Turner and Hobday, solicitors, 10 Victoria-street, Nhill. 16729

The Companies Act 1958.—In the matter of EARLE'S RADIO & TV PROPRIETARY LIMITED (in Voluntary Liquidation).

NOTICE is hereby given that an Extraordinary Meeting of the members of the above-named company held on Tuesday, the 28th day of November, 1961, it was resolved that the company be wound up voluntarily, and at a meeting of creditors held on the same day, pursuant to section 201, it was resolved that for such purpose Edward Ronald Smail, of 31 Queen-street, Melbourne, chartered accountant, be appointed liquidator.

Notice is also given that after 21 days from this date I shall proceed to distribute the assets. All creditors having any claims against the company should furnish particulars of same by that date, otherwise I shall proceed to distribute the assets, without regard to their claims.

Dated this 18th day of December, 1961.

E. R. SMAIL, Liquidator.

Kennedy, Smail and Middlemiss, solicitors, 31 Queen-street, Melbourne. 16723

In the Supreme Court.—In the matter of the *Companies Act 1958*, and in the matter of POOLED ASSETS PROPRIETARY LIMITED.

NOTICE is hereby given that the Order of the Supreme Court made by His Honor The Chief Justice, dated the 28th day of November, 1961, confirming the reduction of the capital of the above-named company and the Minute approved by the Court showing with respect to the share capital of the company as altered by the Order and the Special Resolution passed by the company the several particulars required by the above-mentioned Statute were registered with the Registrar-General on the 13th day of December, 1961. And notice is hereby further given that the said Minute is in the words or to the effect following:—

"The capital of Pooled Assets Proprietary Limited henceforth is £820,000 divided into 820,000 shares of £1 each instead of £1,000,000 divided into 1,000,000 shares of £1 each and at the time of registration of this Minute 810,000 of the said 820,000 shares have been issued and are fully paid up."

Dated the 13th day of December, 1961.

HALL & WILCOX, 20 Queen-street, Melbourne, solicitors for the company. 16724

Companies Act 1958.—In the matter of CORMAR DRAINAGE & EXCAVATION PTY. LTD. (in Liquidation).—Under the Order for Winding Up the above-named company on 28th November, 1961.

NOTICE is hereby given that a First Meeting of Creditors in the above matter will be held in the Board Room of A. J. Irwin, 4th Floor, 366 Bourke-street, Melbourne, on Wednesday, the 20th day of December, 1961, at half-past Eleven o'clock a.m.

To entitle creditors to vote thereat, a proof must be lodged with the Official Liquidator not later than Four o'clock p.m. on the 19th December, 1961.

Proxies to be used at the meeting must be lodged with the Official Liquidator not later than Four o'clock p.m. on the 19th day of December, 1961.

Dated this 13th day of December, 1961.

A. J. IRWIN, Official Liquidator.

366 Bourke-street, Melbourne. 16725

The *Companies Act 1958.*—In the matter of BOREN CONSTRUCTIONS PROPRIETARY LIMITED.

NOTICE is hereby given that, pursuant to section 210 of the *Companies Act* a Final Meeting of the creditors of the above company will be held at the offices of Kennedy, Smail and Middlemiss, 31 Queen-street, Melbourne, on Wednesday, the 17th January, 1962, at Eleven o'clock a.m.

Business: To receive the liquidator's accounts.

Dated this 20th day of December, 1961.

16726 E. R. SMAIL, Liquidator.

THE MERRIGUM BAKERY COMPANY LIMITED.
SPECIAL RESOLUTION TO WIND UP, PURSUANT TO SECTION 195.

AT an Extraordinary General Meeting of the above-named company, duly convened and held at the Merrigum Hall, Merrigum, on Wednesday, the 13th day of December, 1961, the following Resolution was duly passed as a Special Resolution:—

"That the company be wound up voluntarily."

And at such last-mentioned meeting Arthur T. B. Goyen, of 15 First-street, Black Rock, was appointed liquidator for the purposes of the winding up.

Dated this 13th day of December, 1961.

16674 WALTER J. FOSTER, Chairman.

MALLEE & WIMMERA AERODROME ASSOCIATION LIMITED (IN VOLUNTARY LIQUIDATION).

NOTICE PURSUANT TO SECTION 195 (3) OF THE COMPANIES ACT 1958, IN THE STATE OF VICTORIA.

NOTICE is hereby given that at a General Meeting of members of Mallee and Wimmera Aerodrome Association Limited held on the 13th December, 1961, the following Special Resolution was passed:—

"That the company be wound up voluntarily and that Francis Raymond Pomeroy, of 123 Scott-street, Warracknabeal, be appointed liquidator for the purposes of such winding up."

Dated this 15th day of December, 1961.

16673 F. R. POMEROY, Liquidator.

The *Companies Act 1958.*—In the matter of HASTINGS JOINERY & BUILDERS SUPPLY COMPANY PROPRIETARY LIMITED (in Voluntary Liquidation).

NOTICE is hereby given that at an Extraordinary Meeting of the members of the above-named company held on Monday, the 27th day of November, 1961, it was resolved that the company be wound up voluntarily, and at a meeting of creditors held on the same day, pursuant to section 201, it was resolved that for such purpose Alan Murray Horsburgh, of 31 Queen-street, Melbourne, accountant, be appointed liquidator. Notice is also given that after 21 days from this date I shall proceed to distribute the assets. All creditors having any claims against the company should furnish particulars of same by that date, otherwise I shall proceed to distribute the assets without regard to their claim.

Dated this 14th day of December, 1961.

A. M. HORSBURGH, Liquidator.

Kennedy, Smail and Middlemiss, 31 Queen-street, Melbourne. 16727

MOREY BROS. PROPRIETARY LIMITED.

PURSUANT TO SECTION 195 (3).

AT an Extraordinary General Meeting of the above-named company duly convened and held at 4 Stanley-street, Frankston, on Monday, the 11th day of December, 1961, at Twelve noon, the following Resolution was duly passed as a Special Resolution:—

"That the company be wound up voluntarily" and at such last-mentioned meeting, Harry Stewart Morey, of 1 Keverell-road, Caulfield, was appointed liquidator for the purposes of the winding up.

Dated this 12th day of December, 1961.

16728 H. S. MOREY, Chairman.

Companies Act 1958.—In the matter of OTTO MOTORS & SONS PROPRIETARY LIMITED, of Tullamarine.—And in the matter of the *Companies Act 1958.*

NOTICE is hereby given, that pursuant to section 201, that a Meeting of Creditors of the above-named company will be held at the office of A. J. Irwin, 4th Floor, 366 Bourke-street, Melbourne, on Thursday, the 21st day of December, 1961, at 10.30 o'clock in the forenoon for the purposes set out in sections 201, 202 and 203 of the above Act.

By order of the Board,

OTTO BEHRENDT, Director.

Dated this 15th day of December, 1961.

A. J. Irwin, public accountant, 366 Bourke-street, Melbourne. 16721

In the matter of the *Companies Act 1958.*—And in the matter of RODNEY CONSTRUCTION COMPANY PTY. LIMITED.

WINDING UP Order by the Supreme Court on the 4th day of December, 1961.

Name and address of official liquidator: R. S. D. Warner-Smith, of 44 Queen-street, Melbourne.

Hardware Co. of Australia Proprietary Limited, of 71 Queens Bridge-street, South Melbourne, petitioner.

Roy Schilling and Co., Melbourne, solicitors for the petitioner. 16717

In the Supreme Court of Victoria 1961, No. 6524.—In the matter of Part VI. of the *Companies Act 1958.*—And in the matter of HOPE BUILDING AND CONSTRUCTION COMPANY PROPRIETARY LIMITED.

WINDING UP Order made the 15th day of December, 1961.

Official liquidator: Guy Newton Moore, of 34 Queens-road, Melbourne.

E. L. Moran, 406 Lonsdale-street, Melbourne, solicitor for the petitioner, Bayview Quarries Proprietary Limited. 16712

In the Supreme Court of Victoria 1961, No. 6525.—In the matter of Part VI. of the *Companies Act 1958.*—And in the matter of IDAHO CONSTRUCTION COMPANY LIMITED.

WINDING UP Order made the 15th day of December, 1961.

Official liquidator: Guy Newton Moore, of 34 Queens-road, Melbourne.

E. L. Moran, 406 Lonsdale-street, Melbourne, solicitor for the petitioner, Bayview Quarries Proprietary Limited. 16711

Notice of Winding Up Order.—In the matter of M. McGRATH PROPRIETARY LIMITED.

A WINDING UP Order was made by His Honor Mr. Justice Smith on the 11th December, 1961, on the petition of Deputy Commissioner of Taxation, 152 Elizabeth-street, Melbourne.

The name and address of the official liquidator is John Kenneth Hall, of 163 William-street, Melbourne, C.I. 16692

JOHN CORNELIUS DODS, late of 5 Caton-street, Warragul, retired, DECEASED.

CREDITORS, next of kin and others having claims in respect of the estate of the deceased (who died on 10th September, 1961) are required by the executrix, Pearl McGarry, to send particulars to her, care of the undersigned solicitors, by the 28th day of February, 1962, after which date the executrix may convey or distribute the assets, having regard only to the claims of which she then has notice.

GRAY, FRIEND & LONG, solicitors, Warragul. 16656.

CREDITORS, next of kin and others having claims against Jessie Watson Smithwick, late of 658 Barkly-street, Footscray, widow, deceased, are required to send particulars thereof to Robert James Gibb, care of R. P. Barrett and Son, solicitors, 473 Bourke-street, Melbourne, on or before 28th February, 1962, otherwise they may be excluded when the assets are being distributed.

Dated the 15th day of December, 1961.

R. P. BARRETT & SON, solicitors, 473 Bourke-street, Melbourne. 16697

CREDITORS, next of kin and others having claims against Martin Francis Costigan, late of 8 Rowena-street, North Caulfield, lift driver, deceased, are required to send particulars thereof to Edward Bryden, care of R. P. Barrett and Son, solicitors, 473 Bourke-street, Melbourne, on or before 28th February, 1962, otherwise they may be excluded when the assets are being distributed.

Dated the 15th day of December, 1961.

R. P. BARRETT & SON, solicitors, 473 Bourke-street, Melbourne. 16698

CREDITORS, next of kin and others having claims against Fanny Moylan, late of 121 Clarendon-street, Thornbury, widow, deceased, are required to send particulars thereof to Joyce Irene Dean and Lillian Margaret Paul, care of R. P. Barrett and Son, solicitors, 473 Bourke-street, Melbourne, on or before 28th February, 1962, otherwise they may be excluded when the assets are being distributed.

Dated the 15th day of December, 1961.

R. P. BARRETT & SON, solicitors, 473 Bourke-street, Melbourne. 16699

CREDITORS, next of kin and others having claims in respect of the estate of Arthur Godfrey Hughes, formerly of Gull's Way, Frankston, but late of Goode-street, Gisborne, in the State of Victoria, gentleman, deceased (who died on the 30th day of July, 1961), are required by the executrix, Gladys Mary Hughes, of Goode-street, Gisborne, aforesaid, widow, to send particulars to her, care of the under-mentioned solicitors, by the 21st day of February, 1962, after which date she may convey or distribute the assets, having regard only to the claims of which she then has notice.

AITKEN, WALKER & STRACHAN, solicitors, 123 William-street, Melbourne. 16689

CREDITORS, next of kin and others having claims in respect of the estate of Euphemia Price, deceased, formerly of 334 Dandenong-road, East St. Kilda, but late of 346 Dandenong-road, East St. Kilda, widow, deceased (who died on the 26th day of April, 1961), are hereby required by the executor, William Lionel Price, of 29A Mary-street, Hawthorn, journalist, to send particulars to him, care of the undersigned, before the 24th day of February, 1962, after which date he will distribute the assets, only having regard to the claims of which he then has notice.

CORR & CORR, solicitors, 290 Latrobe-street, Melbourne. 16693

CREDITORS, next of kin and others having claims against the estate of Isabell Annie Chown, late of 14 Goodwin-street, West Preston, married woman, deceased (who died on the 9th day of May, 1961), are to send particulars of their claims to The Equity Trustees, Executors and Agency Company Limited, of 472 Bourke-street, Melbourne, by the 14th day of March, 1962, after which date it will distribute the assets, having regard only to the claims of which it then has notice.

G. A. BURCHILL, solicitor, Melbourne. 16695

ALFRED JAMES ROBINSON, late of Granya, in the State of Victoria, farmer, DECEASED.

CREDITORS, next of kin and others having claims in respect of the estate of the deceased (who died on the 30th day of March, 1961), are required by the executor, Albert John Robinson, of "Rubyvale," Huon, in the State of Victoria, farmer, to send particulars to him, care of the under-mentioned solicitors, by the 15th day of March, 1962, after which date the Executor may convey or distribute the assets, having regard only to the claims of which he then has notice.

Dated this 13th day of December, 1961.

WILKINSON, TWOMEY & KELL, solicitors, Beehive Chambers, Dean-street, Albany. 16684

Trustee Act 1958.

NOTICE TO CLAIMANTS.

PURSUANT to the *Trustee Act 1958*, creditors, next of kin and all other persons having claims in respect of the deceased person named below are required to send particulars of such claims to the legal personal representative, at the address stated, on or before the date stated, after which date the representative will distribute the assets, having regard only to the claims of which notice has been received:—

Joseph Hurst, late of 63 Wales-street, West Footscray, retired toolmaker, deceased, died on 23rd September, 1961.—Claims to the executrix, Mary Jane Hurst, of 63 Wales-street, West Footscray, widow, care of John F. Carroll of 4 Paisley-street, Footscray, solicitor, by the 22nd day of February, 1962. John F. Carroll, LL.B., solicitor, 4 Paisley-street, Footscray. 16691

CREDITORS, next of kin and others having claims against the estate of John Robert Riley, late of 251 Lower Plenty-road, Rosanna, retired engineer, deceased (who died on the 15th day of March, 1961), are to send particulars of their claims to The Equity Trustees, Executors and Agency Company Limited, of 472 Bourke-street, Melbourne, by the 14th day of March, 1962, after which date it will distribute the assets, having regard only to the claims of which it then has notice.

G. A. BURCHILL, solicitor, Melbourne. 16694

CREDITORS, next of kin and others having claims in respect of the estate of Kate Bushell, late of "Fernlea," Glenfern-road, Upwey, in the State of Victoria, widow, deceased (who died on the 5th day of July, 1960), are to send particulars of their claims to The Equity Trustees Executors and Agency Company Limited, of 472 Bourke-street, Melbourne, by the 15th day of March, 1962, after which it will convey or distribute the assets, having regard only to the claims of which it then has notice.

Dated the 14th day of December, 1961.

A. R. MILLS, B.A., LL.B., solicitor, 20 Queen-street, Melbourne. 16672

PURSUANT to the provisions of the *Trustee Act 1928*, creditors, next of kin and all other persons having claims in respect of the estate of Bruce Hector William Milne, late of Tangambalanga, in the State of Victoria, grazier, (who died on the 26th day of June, 1958), are required to send particulars of their claims to Oscar Keith Pralle, of 4 Coppin-grove, Hawthorn, in the said State, by the 28th February, 1962, after which date he will distribute assets, having regard to the claims of which he shall then have had notice.

H. S. ASTLEY & CO., solicitors, 277 William-street, Melbourne. 16732

CREDITORS, next of kin and others having claims in respect of the estate of Edmund Leon Comber (shown in will as Edmond Leon Comber), formerly of 21 Elsie-grove, Edithvale, but late of 20 Elsie-grove, Edithvale, in the State of Victoria, retired, deceased (who died on the 5th February, 1961), are to send the particulars of their claims to The Perpetual Executors and Trustees Association of Australia Limited, of 100-104 Queen-street, Melbourne, by the 16th day of February, 1962, after which date it will distribute the assets, having regard only to the claims of which it then has notice.

LLOYD P. GOODE & CO., solicitors, 388 Bourke-street, Melbourne. 16731

WILLIAM ARTHUR WRIGHT, late of the Majestic Private Hotel, Fitzroy-street, St. Kilda, in the State of Victoria, retired master printer, DECEASED.

CREDITORS, next of kin and others having claims in respect of the estate of the deceased (who died on the 18th July, 1961), are required by the personal representatives, The Equity Trustees, Executors and Agency Company Limited, of 472 Bourke-street, Melbourne, Victor Merrell Wright, of 2 Lyric-grove, Camberwell, consulting accountant, and John Rupert Wright, of 146 Mont Albert-road, Canterbury, managing director, to send particulars to them, in the care of the said company, by the 23rd February, 1962, after which date they may convey or distribute the assets, having regard only to the claims of which they then have notice.

HEDDERWICK, FOOKES & ALSTON, 103 William-street, Melbourne. 16722

HOWARD ALBERT ELLIOTT, formerly of Flat 6, 10 Grange-road, Kew, but late of 69 Sackville-street, Kew, inspector, DECEASED.

CREDITORS, next of kin and others having claims against the estate of the said deceased (who died on 15th August, 1961), are to send particulars of their claims to The Union Trustee Company of Australia Limited, the registered office of which is situate at 333 Collins-street, Melbourne, by the 22nd day of February, 1962, after which date it will distribute the assets, having regard only to the claims of which it then has notice.

BLAKE & RIGGALL, 120 William-street, Melbourne, solicitors. 16719

BERYL EDA LEE SILVESTER, formerly of No. 407 Pleasant-street, South Ballarat, but late of Kiandra Private Hospital, 44 Abbott-street, Sandringham, spinster, DECEASED.

CREDITORS, next of kin and others having claims against the estate of the said deceased (who died on 28th July, 1961), are to send particulars of their claims to The Union Trustee Company of Australia Limited, the registered office of which is situate at 333 Collins-street, Melbourne, by the 22nd day of February, 1962, after which date it will distribute the assets, having regard only to the claims of which it then has notice.

BLAKE & RIGGALL, 120 William-street, Melbourne, solicitors. 16720

BERTHA ANN MASTERS, late of 49 Raglan-street, East St. Kilda, widow, DECEASED.

CREDITORS, next of kin and others having claims against the estate of the said deceased (who died on 24th September, 1961), are to send particulars of their claims to The Union Trustee Company of Australia Limited, the registered office of which is situate at 333 Collins-street, Melbourne, by the 22nd day of February, 1962, after which date it will distribute the assets, having regard only to the claims of which it then has notice.

BLAKE & RIGGALL, 120 William-street, Melbourne, solicitors. 16718

CREDITORS, next of kin and others having claims in respect of the estate of Susie Isobel Bayley, late of 40 Barkers-road, Hawthorn, widow (who died on the 22nd day of March, 1959), are required to send particulars of their claims to the executor, care of the under-mentioned solicitor, by the 28th day of February, 1962, after which date the executor will distribute the assets, having regard only to the claims of which he then has notice.

K. P. REES, B.A., LL.B., solicitor, 89 Queen-street, Melbourne. 16714

CREDITORS, next of kin and others having claims in respect of the estate of Oswald Percy Orchard, late of 324 Nepean Highway, Edithvale, retired, deceased, intestate (who died on 16th April, 1961), are required to send particulars of their claims to the administrator, Philip Adrian Orchard, in care of the undersigned solicitors, by the 28th February, 1962, after which date he will distribute the assets, having regard only to claims of which he then has notice.

NORMAN SHANKLY & ARCHER, solicitors, 406 Lonsdale-street, Melbourne. 16715

CREDITORS, next of kin and others having claims in respect of the estate of Douglas Claud Blackburn, late of Meenyan, retired farmer, deceased, intestate (who died on 25th May, 1961), are to send particulars of their claims to The Union Trustee Company of Australia Limited, 333 Collins-street, Melbourne, by the 11th day of March, 1962, after which date it will distribute the assets, having regard only to claims of which it then has notice.

G. A. HILFORD & CO., solicitors, 19 Queen-street, Melbourne. 16703

CREDITORS, next of kin and others having claims in respect of the estate of Leslie Fred Wetherill, late of 7 Sassella-street, East Bentleigh, clerk, deceased (who died on the 20th day of August, 1961), are required by the administratrix, Gweneth Beryl Wetherill, of 7 Sassella-street, East Bentleigh, widow, to send particulars of their claims to her, care of Messrs. Rogers and Gaylard, solicitors, of 281 Collins-street, Melbourne, by the 28th day of February, 1962, after which date the said administratrix will distribute the assets of the deceased, having regard only to the claims of which she then shall have had notice.

ROGERS & GAYLARD, solicitors, 281 Collins-street, Melbourne. 16716

ALICE BEATRICE MARSHALL, late of Kia-Ora, 17 Bainbridge-street, Frankston, widow, DECEASED.

CREDITORS, next of kin and others having claims in respect of the deceased (who died on 15th May, 1961) are requested by the executors, Frances Henry Raynor, of 36 Poath-road, Hughesdale, medical practitioner, and Brian Darnton Bayston, of 317 Collins-street, Melbourne, solicitor, to send particulars to them care of the under-mentioned solicitors, by 21st February, 1962, after which date the executors may convey or distribute the assets, having regard only to the claims of which they then have notice.

McCRACKEN & McCracken, 317 Collins-street, Melbourne, solicitors. 16710

JAMES EDWARD O'DWYER, late of 441 Glen Eira-road, Caulfield, in the State of Victoria, assayer, DECEASED.

CREDITORS, next of kin and all other persons having claims in respect of the estate of the above-named deceased (who died on the 1st day of October, 1961), are required by the executors, National Trustees Executors and Agency Company of Australasia Limited, of 95 Queen-street, Melbourne, and Carl Emil Resch, of 318 Cotham-road, Kew, doctor of philosophy, in the will described as medical practitioner, to send particulars, in writing, thereof to the above-named executors, care of National Trustees, Executors and Agency Company of Australasia Limited, by the 28th day of February, 1962, after which date the executors will distribute the assets, having regard only to the claims of which it then has notice.

R. W. BARRIE & CO., solicitors, 224 Queen-street, Melbourne. 16701

EDWARD ARTHUR GREEN, late of 184 Geelong-road, Footscray, and 345 Barkly-street, Footscray, investor, DECEASED.

CREDITORS, next of kin and all other persons having claims in respect of the estate of the above-named deceased (who died on the 13th day of January, 1961) are required by the executor, Stanley Steuart Payne, of 24 Salmon-avenue, Essendon, real estate agent, to send particulars, in writing, thereof to him, care of the under-mentioned solicitors, by the 22nd day of February, 1962, after which date the executor will distribute the assets, having regard only to the claims of which he then has notice.

R. W. BARRIE & CO., solicitors, 224 Queen-street, Melbourne. 16702

CREDITORS, next of kin and others having claims in respect of the estate of Henry John Frederick Mikkelsen, also known as Harry John Frederick Mikkelsen, late of 105 Coppin-street, Richmond, formerly an engineer but lately a labourer, deceased (who died on the 30th day of August, 1956), are required to send written particulars of their claims to Dawn Meryl Juodvalkis, the administratrix to whom letters of administration of the estate of the deceased was granted, care of the under-mentioned solicitors, by the 20th day of March, 1962, after which date the said administratrix will distribute the assets, having regard only to the claims of which she then has notice.

Dated the 13th day of December, 1961.

McLAUGHLIN, EAVES & JOHNSTON, of 343 Little Collins-street, Melbourne, solicitors for the said administratrix. 16704

CHARLES BURTON HOLLAND, late of 23 Hobson-street, Hawksburn, in the State of Victoria, retired paymaster, DECEASED.

CREDITORS, next of kin and all other persons having claims in respect of the estate of the above-named deceased (who died on the 11th day of February, 1961), are required by the executors, National Trustees, Executors and Agency Company of Australasia Limited, of 95 Queen-street, Melbourne, and Leslie Hamilton White, of 56 North-road, Brighton, secretary, to send particulars, in writing, thereof to the above-named executors, care of National Trustees, Executors and Agency Company of Australasia Limited, by the 28th day of February, 1962, after which date the executors will distribute the assets, having regard only to the claims of which it then has notice.

R. W. BARRIE & CO., solicitors, 224 Queen-street, Melbourne. 16700

HARRY WALL NORRIS, late of 130 Darling-road, East Malvern, manufacturer, DECEASED.

CREDITORS, next of kin and others having claims in respect of the estate of the above-named deceased, (who died on 13th October, 1960), are required by the executors, Leslie James Norris, of 67 Rennison-street, Parkdale, architect, Frederick Harry Norris, of 142 Burwood-road, Hawthorn, manufacturer, and Brenda Jean Odgers, of 9 Royalty-avenue, Clayton, married woman, to send particulars to them, in care of their under-mentioned solicitors by 23rd February, 1962, after which date the executors may convey or distribute the assets, having regard only to the claims of which they then have notice.

W. H. FLOOD & PERMEZEL, 379 Collins-street, Melbourne, solicitors for the executors. 16713

CREDITORS, next of kin and others having claims in respect of the estate of Robert Hamilton Anderson, late of 30 Huntingtower-road, Armadale, in the State of Victoria, grazier, deceased (died on the 30th day of June, 1961), are to send particulars of their claims to National Trustees, Executors and Agency Company of Australasia Limited and Alan John Moir, both of 95 Queen-street, Melbourne, by the 28th day of February, 1962, after which date the said company and the said Alan John Moir will distribute the estate of the said deceased, having regard only to the claims of which it and he then has notice.

GILLOTT, MOIR & AHERN, solicitors, 95 Queen-street, Melbourne. 16708

CREDITORS, next of kin and others having claims in respect of the estate of Sir Charles Gavan Duffy, late of Clivedon Mansions, Wellington-parade, East Melbourne, in the State of Victoria, Justice of the Supreme Court, deceased (who died on the 12th day of August, 1961), are to send particulars of their claims to National Trustees, Executors and Agency Company of Australasia Limited, of 95 Queen-street, Melbourne, by the 28th day of February, 1962, after which date the said company will distribute the estate of the said deceased, having regard only to the claims of which it then has notice.

GILLOTT, MOIR & AHERN, solicitors, 95 Queen-street, Melbourne. 16709

In the Supreme Court of the State of Victoria.

SALE BY THE SHERIFF.

ON Tuesday, the 6th of February, 1962, at Eleven a.m., at the Police Station, Sunshine (unless process be stayed or satisfied):—

All the estate and interest (if any) of Eugene Polikarpowski and Anna Polikarpowski, both of 35 Dunkeld-avenue, Sunshine, motor mechanic and married woman respectively, as joint proprietors of an estate in fee simple in the land described in certificate of title, volume 8167, folio 152, upon which is erected a five-roomed weather-board dwelling known as No. 35 Dunkeld-avenue, Sunshine.

Mortgage No. A.350914 for approximately £1,150 and A.359583 for approximately £1,261, affect the said estate and interest.

Terms: Cash only.

DAVID J. JOHNSTON, Sheriff's Officer.

12th December, 1961. 16686

In the Supreme Court of the State of Victoria.

SALE BY THE SHERIFF.

ON Friday, the 2nd of February, 1962, at Eleven a.m., at the Police Station, High-street, Glen Iris (unless process be stayed or satisfied):—

All the estate and interest (if any) of L. Fuleky, of 4 Estella-street, Glen Iris, engineer, as joint proprietor with Maria Fuleky, of the same address, married woman, of an estate in fee simple in the land described in certificate of title, volume 7360, folio 962, upon which is erected a weatherboard and roughcast dwelling-house of approximately 13 squares with garage known as No. 4 Estella-street, Glen Iris.

Registered mortgages Nos. A.882477 and B.237296 affect the said estate and interest.

Terms: Cash only.

DAVID J. JOHNSTON, Sheriff's Officer.

12th December, 1961. 16687

In the Supreme Court of the State of Victoria.

SALE BY THE SHERIFF.

ON Monday, the 5th of February, 1962, at Eleven a.m., at the Police Station, Thomastown (unless process be stayed or satisfied):—

All the estate and interest (if any) of Jonas Grybas, of 29 Arundel-avenue, Keon Park, railway employee, as proprietor of an estate in fee simple in the land described in certificate of title, volume 7367, folio 269, upon which is erected a five-roomed timber dwelling, together with a garage, known as No. 29 Arundel-avenue, Keon Park.

Terms: Cash only.

DAVID J. JOHNSTON, Sheriff's Officer.

12th December, 1961. 16688

IMPOUNDINGS

ALEXANDRA.—Impounded in Alexandra Pound, from Alexandra, by J. Rahley.

1 ewe, notched on one ear, no visible brand
1 lamb, no visible brand

If not claimed and expenses paid, to be sold on 5th January, 1962.

G. MAUDOUIT, Poundkeeper. 16671—12/

KERANG.—Impounded in Kerang Pound.

2 Dorset Horn rams, young, shorn, blue raddle on back

If not claimed and expenses paid, to be sold on 12th January, 1962.

F. NANCARROW, Poundkeeper. 16681—9/

TALLANGATTA.—Impounded in Tallangatta Pound.

11 cross-bred sheep, notched ears, no visible brand

If not claimed and expenses paid, to be sold on 5th January, 1962.

C. CRAIG, Poundkeeper. 16668—9/

STATE ACTS, 1960.

COPIES of the following Acts of Parliament of Victoria may be obtained at the Government Printing Office, or from any bookseller, at the price set opposite to each:—

No.	Price. s. d.
6607. Anzac Day	1 0
6608. Agricultural Lime (Amendment)	0 6
6609. Motor Car (Commencement)	0 6
6610. Fisheries (Change of Title)	0 6
6611. Stamps (Amendment)	0 6
6612. Land (Public Authorities)	0 6
6613. Coal Canal Bridge	0 6
6614. Metropolitan Fire Brigades (Borrowing Powers)	0 6
6615. Wodonga Lands Exchange	0 6
6616. Licensing (Fees)	0 6
6617. Home Finance (Loans to Minors)	0 6
6618. Co-operative Housing Societies (Amendment)	0 6
6619. Racing (Totalizators Extension)	1 0
6620. Companies	0 6
6621. Judges Salaries and Allowances	0 6
6622. Coal Mines (Pensions Contributions)	0 6
6623. Landlord and Tenant (Further Amendment)	0 6
6624. Public Officers Salaries and Allowances	0 9
6625. Legal Profession Practice (Amendment)	0 6
6626. Church of England in Australia Constitution	1 9
6627. Companies (Fees)	0 6
6628. Motor Car (Amendment)	1 0
6629. Geelong Waterworks and Sewerage (Amendment)	0 6
6630. Latrobe Valley (Financial)	0 6
6631. Labour and Industry (Amendment)	0 6
6632. Acts Interpretation	0 6
6633. Children's Court (Enforcement of Awards)	0 6
6634. Supreme Court (Proceedings before Master)	0 6
6635. Melbourne and Metropolitan Board of Works (Borrowing Powers)	0 6
6636. Electoral Provinces	0 9
6637. Town and Country Planning (Amendment)	0 6
6638. Racing (Dog Races)	0 6
6639. Industrial Safety Advisory Council	0 6
6640. Administration and Probate (Offices)	0 6

STATE ACTS, 1960.—*continued.*

No.	Price.
	s. d.
6641. Justices (Bail)	0 6
6642. National Parks (Amendment)	0 9
6643. Medical (Amendment)	0 6
6644. Melbourne Harbor Trust Lands	1 0
6645. Weights and Measures (Penalties)	0 6
6646. Transfer of Land (Stratum Estates)	0 6
6647. Local Government (Preston Streets Agreement)	0 9
6648. John Storey Memorial Fund	0 6
6649. Police Offences (Amendment)	0 6
6650. Motor Car (Third-Party Insurance)	0 6
6651. Social Welfare	2 9
6652. City of Melbourne Underground Railway Construction	1 0
6653. Valuation of Land	1 3
6654. Milk Board (Amendment)	0 6
6655. Victoria Racing Club (Amendment)	0 6
6656. Consolidated Revenue	0 6
6657. Consolidated Revenue	0 6
6658. Motor Car (Driving)	0 6
6659. Licensing (Amendment)	1 0
6660. Consolidated Revenue	0 6
6661. Consolidated Revenue	0 6
6662. Friendly Societies (Dental Clinics)	0 6
6663. Cancer (Amendment)	0 6
6664. Dried Fruits (Amendment)	0 6
6665. Barwon Heads Lands Exchange	0 6
6666. Revocation of Crown Reservations	0 6
6667. The Constitution Act Amendment (Expenses)	0 6
6668. Supreme Court (Orders)	0 6
6669. Gippsland Railway Deviation	0 9
6670. Hamilton Stockyards Railway Construction	0 6
6671. Nurses (Amendment)	0 6
6672. Ministry of Transport (Railway Officers)	0 6
6673. Fruit and Vegetables (Road Barriers)	0 6
6674. Transport Regulation (Qualifications of Chairman)	0 6
6675. Motor Car (Insurance Surcharge Continuance)	0 6
6676. Geelong Harbor Trust (Freezing Works Agreement)	0 9
6677. Western Metropolitan Market (Amendment)	0 6
6678. Racing (Trotting Races)	0 6
6679. Wattle Park Land	0 6
6680. Surplus Revenue	0 6
6681. Milk and Dairy Supervision (Research Contributions)	0 6
6682. Tourist (Amendment)	0 6
6683. Fisheries (Crayfish)	0 6
6684. Audit (Amendment)	0 6
6685. Sale of Allotments of Land (Amendment)	0 6
6686. Cattle Compensation (Amendment)	0 6
6687. Co-operative Housing Societies (Guarantees)	0 6
6688. State Library National Gallery National Museum and Institute of Applied Science	1 3
6689. Medical (Blood Transfusion)	0 6
6690. The Constitution Act Amendment (Treating)	0 6
6691. State Forests Loan Application	0 6
6692. Local Authorities Superannuation (Amendment)	0 9
6693. Local Government (Disqualification)	1 0
6694. Superannuation (Additions to Pensions)	0 6
6695. Police Regulation (Pensions)	0 6
6696. Trustee Companies (Amalgamation)	0 6
6697. Geelong and Colac Railway (Deviation)	0 6
6698. University Colleges Lands	0 6
6699. Local Government (Private Street)	0 6
6700. Northcote School	0 6
6701. Public Works Loan Application	0 9
6702. Tower Hill and Malmsbury Lands	0 6
6703. Coal Mines (Pensions)	0 6
6704. Vermin and Noxious Weeds (Financial)	0 6
6705. Navigable Waters (Oil Pollution)	1 0
6706. Business Names (Public Borrowings)	0 6
6707. Health (Tuberculosis Arrangement)	0 6
6708. Water Supply Loan Application	1 3
6709. Railway Loan Application	1 0
6710. Land Tax (Relief)	0 6
6711. Land Tax (Rates)	0 6
6712. Monash University (Amendment)	0 6
6713. National Fitness Council of Victoria	1 0
6714. Local Government (Kellor Waverley and Springvale)	0 6
6715. Explosives	2 3
6716. Statute Law Revision	0 9
6717. Motor Car (Abolition of Owners' Certificates)	0 6
6718. Road Traffic (Amendment)	0 6
6719. Milk Board (Powers)	0 6
6720. Marketing of Primary Products (Members)	0 6
6721. Melbourne and Geelong Mortgages	0 9
6722. Building Societies (Amendment)	0 9
6723. Local Government (Scaffolding Inspection)	0 9

STATE ACTS, 1960—*continued.*

No.	Price.
	s. d.
6724. State Electricity Commission (Borrowing)	0 6
6725. Labour and Industry (Butchers' Shops)	0 6
6726. Country Fire Authority (Sawmill Burners)	0 6
6727. Sewerage Districts (Amendment)	1 0
6728. Water (Amendment)	1 3
6729. Housing (Powers)	0 6
6730. Entertainments Tax (Amendment)	0 6
6731. Crimes (Kidnapping)	0 6
6732. Health (Amendment)	0 6
6733. Game (Licences)	0 6
6734. Estate Agents (Amendment)	0 6
6735. Appropriation of Revenue	8 6

A. C. BROOKS,
Government Printer.

STATE ACTS, 1961.

COPIES of the following Acts of Parliament of Victoria may be obtained at the Government Printing Office, or from any bookseller, at the price set opposite to each:—

No.	Price.
	s. d.
6736. Public Works Committee (Special Exemption)	0 6
6737. Railways (Permanent Service)	0 6
6738. Superannuation (Railway Service)	0 6
6739. Stamps (Amendment)	0 6
6740. Employers and Employés (Attachment of Wages)	0 6
6741. St. Kilda (Goldsmith and Shelley Streets) Land	0 6
6742. Municipal Association (Amendment)	0 6
6743. Wormbete Land	0 6
6744. Grain Elevators (Borrowing)	0 6
6745. Housing (Amendment)	0 6
6746. Land (North-West Mallee Settlement Areas)	0 9
6747. Ripon Peace Memorial Hospital Trust	0 6
6748. Road Traffic (Parking on Railway and Municipal Property)	0 6
6749. Co-operation (Amendment)	0 6
6750. Heidelberg and Toolamba Lands Exchange	0 6
6751. Town and Country Planning (Amendment)	0 6
6752. Janet Clarke Hall	0 6
6753. Transport Regulation (Compensation)	0 6
6754. Bread Industry (Legal Proceedings)	0 6
6755. Milk Pasteurization (Licences)	0 6
6756. Health (Proprietary Medicines)	0 6
6757. Police Offences (False Reports to Police)	0 6
6758. Evidence (Children)	0 6
6759. Statute Law Revision	0 6
6760. Transport Regulation (Term of Office)	0 6
6761. Prostitution	0 6
6762. Motor Car (Amendment)	1 0
6763. Game (Amendment)	0 6
6764. The Constitution Act Amendment (Electoral)	0 9
6765. Building Societies (Amendment)	1 3
6766. Juries (Amendment)	0 6
6767. Gas and Fuel Corporation (Borrowing)	0 6
6768. Clean Air (Sub-committees)	0 6
6769. Housing (Home Builders' Account)	0 6
6770. Police Offences (Pinball Machines)	0 6
6771. Fisheries (Commercial Council)	0 6
6772. Consolidated Revenue	0 6
6773. Consolidated Revenue	0 6

A. C. BROOKS,
Government Printer.

ACTS REPRINTED IN ACCORDANCE WITH THE AMENDMENTS INCORPORATION ACT 1958 (No. 6422).

No.	Price.
	s. d.
6191. Administration and Probate Act	4 9
6225. Co-operation Act	4 0
6246. Evidence Act	3 6
6283. Labour and Industry Act	7 3
6285. Landlord and Tenant Act	4 6
6293. Licensing Act	9 3
6299. Local Government Act	25 0
6328. Nurses Act	2 0
6363. Second-hand Dealers Act	1 3
6375. Stamps Act	6 0
6399. Transfer of Land Act	5 0
6401. Trustee Act	4 0
6419. Workers Compensation Act	4 9
6455. Companies Act (2nd reprint)	15 0

A. C. BROOKS,
Government Printer.

AGENTS FOR THE "VICTORIA GOVERNMENT GAZETTE".

THE following have been appointed agents to receive Advertisements and Subscriptions for the *Victoria Government Gazette*:—

- ARMSTRONG'S AGENCY, 205 Queen-street, Melbourne, C.1.
- ARMSTRONG BROS., Kyneton.
- ARNALL & JACKSON, 115 Barkly-street, West Brunswick.
- BAIRNSDALE AUTHORIZED NEWSAGENCY, Main-street, Bairnsdale.
- COOKE, F. R. & E. M., 69 Bridge-street, Benalla.
- DAVIS, WM. (MILDURA) PTY. LTD., 126 Eighth-street, Mildura.
- DIXON'S NEWSAGENCY, 89 Firebrace-street, Horsham.
- EDGAR'S NEWSAGENCY, 293 Hargreaves-street, Bendigo.
- FRANKS, HENRY, & CO., Booksellers and Stationers, 184 Ryrie-street, Geelong.
- GORDON & GOTCH, News Agents, 511 Little Collins-street, Melbourne, C.1.; and corner of Barrack and Clarence streets, Sydney.
- GULLAN'S NEWSAGENCY, 88 Bridge-street, Ballarat.
- HALES, D. & N., Henty-street, Casterton.
- HAMPTON, A. C., 243 Mitchell-street, Bendigo.
- HARSTON, PARTRIDGE & CO. PTY. LTD., 455 Little Collins-street, Melbourne, C.1.
- MERCANTILE EXCHANGE, 380 Collins-street, Melbourne, C.1.
- PETTY, R. H. & W. M., 83 Murphy-street, Wangaratta.
- PURDIE, J., & CO., 138 Moorabool-street, Geelong.
- SALE AUTHORIZED NEWSAGENCY, 142 Raymond-street, Sale.
- SKINNER'S AUTHORIZED NEWSAGENCY, 49-51 Franklin-street, Traralgon.
- SMITH & DUNNON, 112 Gray-street, Hamilton.
- TUFF'S SHEPPARTON NEWSAGENCY, 246 Wyndham-street, Shepparton.
- VERNON, C. F. & H. J., 162 Bridge-road, Richmond.
- VIEW POINT NEWSAGENCY, 4 View Point, Bendigo.

A copy of the *Gazette* filed at each place for public reference.

THE "VICTORIA GOVERNMENT GAZETTE".

SUBSCRIPTIONS.—*The subscription, including postage, is £2 15s. per annum, £1 7s. 6d. half-yearly, or 13s. 9d. per quarter, payable in advance.*

Subscriptions are required to commence and terminate with a month.

A lesser period than three months cannot be subscribed for.

Subscribers do not receive the Acts of Parliament with the GAZETTE.

ADVERTISEMENTS are charged at the rate of 1s. 6d. per line single column, and 3s. per line double column.

The title (£5 Reward, Dissolution of Partnerships, &c.) forms one or more lines as a heading.

On an average, ten words make a line.

Every signature must likewise be counted as a line.

The final words of a paragraph, though only portion of a line, must be counted as one line.

SIGNATURES (in particular) and proper names must be written very plainly in the text; ONE SIDE ONLY of each slip of paper should be WRITTEN UPON.

ALL COMMUNICATIONS should be addressed to "The Government Printer, Melbourne".

ALL DOCUMENTS illegibly written will be returned unpublished, and where brands occur unprovided for by the ordinary letters of the alphabet, a worded explanatory description must be furnished.

THE VICTORIA GOVERNMENT GAZETTE is published on WEDNESDAY EVENING in each week, and Notices for or before ONE p.m. at ordinary rates, and late advertisements between ONE p.m. and FOUR p.m. at double rates on the day preceding the day of publication.

Single copies of the VICTORIA GOVERNMENT GAZETTE are One shilling, posted One shilling and five pence.

No GAZETTES prior to January, 1950, in stock.

***ALL PAYMENTS ARE REQUIRED IN ADVANCE.—Remittances should be made by postal note, money order, or draft in favour of the Government Printer. Advertisements unaccompanied by a remittance sufficient to cover the cost of insertion will be returned unpublished.

CONTENTS

	PAGE
Acts of Parliament on sale at the Government Printing Office	4388
Appointments	4354
Bank Holidays	4336
Christmas and New Year Holidays	4336
Companies Act 1958—Notice	4354
Contracts	4351
Courts	4338
Estates of Deceased Persons	4349
Government Notices	4336
Impoundings	4388
Lands	4367
Melbourne and Metropolitan Board of Works— Notice	4353
Mining	4353
Ministers of Religion Registered to Celebrate Marriages in Victoria	4350
Orders in Council— Acts—Land; Weights and Measures; Local Government; Country Roads. <i>et seq</i>	4355
Sewerage Districts; Water; Licensing .. <i>et seq</i>	4360
Housing; Mines	4364
Landlord and Tenant; State Savings Bank; Town and Country Planning; <i>et seq</i> Crimes; Railways.	4365
Private Advertisements	4374
Proclamations	4335
Publication of the "Victoria Government Gazette"	4336
Public Service Notices	4370
Public Half-Holidays	4336
Regulations— Acts—Transport Regulation; Health; Education <i>et seq</i>	4358
Racing	4364
Country Fire Authority	4365
Resignations	4355
State Rivers and Water Supply Commission ..	4345
Tenders	4372
Transport Regulation Board—Public Hearings ..	4337
Waterworks Trusts	4346

[4391]



VICTORIA
GOVERNMENT GAZETTE

Published by Authority

[Registered at the General Post Office, Melbourne, for transmission by post as a newspaper.]

No. 113]

THURSDAY, DECEMBER 21

[1961

Hairdressers Registration Act 1958
(No. 6267).

SUPPLEMENTARY REGISTER

OF

SCHOOLS OF HAIRDRESSING

AND OF

HAIRDRESSERS

FOR 1960

Hairdressers Registration Act 1958 (No. 6267).

REGISTER OF HAIRDRESSERS FOR 1960.

THE subjoined Supplementary List Alterations, Additions, Revisions, and Removals made in the Register of Hairdressing during the twelve months ended 31st December, 1960, is published in accordance with the provisions of Section 7 of the *Hairdressers Registration Act 1958* (No. 6267).

R. M. AITCHISON, Chairman.

M. V. ANDERSON, Registrar.

Hairdresser's Registration Board of Victoria,
Melbourne, 31st December, 1960.

ADDITIONAL LIST OF PERSONS REGISTERED AS HAIRDRESSERS UNDER THE PROVISIONS OF THE
HAIRDRESSERS REGISTRATION ACT 1958 (No. 6267).

No. of Registration.	Male— M. or Female— F.	Name.	Address.	Classes in Respect of which Registered, Men's—M., Ladies'—L.I., Ladies' Limited—L.L.	Principal— P. Teacher— T. Employee— E.	Whether Qualified under Sub-section (1) or (2) of Section 8.	Date of Regis- tration.
15339	M.	Addamo, Michele	5 Rising-street, Pascoe Vale ..	M.	E.	(2)	28.9.60
14852	F.	Adkin, Zena	8 Twisdon-road, Bentleigh ..	L.I.	E.	(2)	17.2.60
15134	F.	Adkins, Margaret Gladys ..	108 Nixon-street, Shepparton ..	L.I.	P.	(1)	27.4.60
15429	M.	Agaliotis, Erasmia	21 Andrews-street, Waverley ..	L.I.	E.	(2)	28.9.60
14954	F.	Alack, Dulcie Muriol	489 Kooyong-road, Elsternwick ..	L.I.	E.	(1)	27.2.60
15430	F.	Alcock, Georgina	13 Ascot-street, Malvern	L.I.	E.	(2)	26.10.60
15257	F.	Alexander, Patricia May ..	Main-road, Kalorama	L.I.	E.	(2)	20.7.60
15192	M.	Alsop, Kevin Charles	34a Atherton-road, Oakleigh ..	M.	E.	(1)	22.6.60
14855	M.	Alysandratos, Peter	48 William-street, Abbotsford ..	M.	E.	(2)	17.2.60
15045	F.	Anderson, Marjorie	Centre Dandenong-road, Cheltenham	L.I.	E.	(2)	27.4.60
14856	M.	Andrewartha, John Keith ..	108 Farm-street, Newport	M.	E.	(1)	17.2.60
15031	M.	Antonou, Peter	4 Florence-street, West Brunswick	M.	E.	(2)	16.3.60
15193	M.	Apokis, Fotis	8 Dalston-road, Oakleigh	L.I.	P.	(2)	22.6.60
15301	F.	Appleton, Judith	27 Olinda-street, Caulfield ..	L.I.	E.	(2)	20.7.60
14857	M.	Arcadi, Paolo	21 Maher-street, Fawkner	M.	P.	(2)	17.2.60
14853	F.	Archer, Margaret Ann	8 O'Dowd-street, Reservoir ..	L.I.	E.	(2)	17.2.60
15046	F.	Arvai, Elizabeth	11 Anderson-street, Albert Park ..	L.I.	E.	(2)	27.4.60
15487	F.	Austin, Leslie	42 Pakington-street, Kew	L.I.	P.	(2)	7.12.60
14858	F.	Avery, Catherine Patricia ..	11 Gordon-street, West Newport ..	L.I.	P.	(2)	17.2.60
15194	F.	Baarck, Ute	24 Dalgoty-street, St. Kilda ..	L.I.	E.	(2)	22.6.60
14974	M.	Bacchin, Beniamino	11 West-street, Preston	L.I.	E.	(2)	16.3.60
14859	F.	Bailey, Trudy Anne	2 Lindsay-street, McKinnon ..	L.I.	E.	(2)	17.2.60
15047	M.	Baker, Colin Clifford	Melville-street, Numurkah	M.	P.	(1)	16.3.60
14975	F.	Balcam, Valerie May	14 Brian-street, East Bentleigh ..	L.I.	E.	(2)	16.3.60
14976	M.	Barbante, Sebastiano	17 Melbourne-road, Werribee ..	L.I.	E.	(2)	16.3.60
14860	M.	Barbaro, Antonio	3 Victoria-street, Moonee Ponds ..	M.	E.	(2)	17.2.60
14861	F.	Barber, Norma Emily	Private Bag 15, Nhill	L.I.	E.	(2)	17.2.60
14862	F.	Barclay, Leonie	9 Bert-street, Tocumwal	L.I.	E.	(2)	17.2.60
15195	M.	Barrett, Terrence E.	12 Jackson-street, Niddrie	M.	E.	(1)	22.6.60
15431	F.	Bartley, Mary Agnes	16 Hasting-road, Hawthorn East ..	L.I.	E.	(2)	26.10.60
14863	F.	Bauer, Elizabeth	116 Alfrida-street, St. Albans ..	L.I.	E.	(2)	17.2.60
15182	M.	Baxter, David G.	15 Birdwood-street, Frankston ..	M.	E.	(1)	25.5.60
15340	F.	Beaven, Jean	3 Henry-street, East Geelong ..	L.I.	P.	(2)	28.9.60
15195	M.	Becker, Allan Perce	33 Ilax-street, Red Cliffs	M.	E.	(2)	22.6.60
15403	F.	Beer, Dianre	2 Myross-avenue, Ascot Vale ..	L.I.	E.	(2)	28.9.60
15312	F.	Behrens, Walburga	18 Collett-street, Kensington ..	L.I.	E.	(2)	20.7.60
15197	M.	Bellofiore, Matteo	40 Woodsworth-street, Moonee Ponds	M.	E.	(2)	22.6.60
15048	F.	Benko, Erika	29 Grey-street, South Yarra ..	L.I.	E.	(2)	27.4.60
15049	F.	Berger, Margaret	61 Bruce-street, Inverloch ..	L.I.	E.	(2)	27.4.60
15183	F.	Berry, Lois E.	101 Fyffe-street, Thornbury ..	L.I.	E.	(2)	25.5.60
15198	F.	Binko, Anne	34 Eildon-road, St. Kilda	L.I.	E.	(2)	22.6.60
15327	F.	Birr, Renate	13 Bellarino-street, Geelong ..	L.I.	E.	(2)	17.8.60
15258	F.	Blair, Faye Lynette	Box 123, Post Office, Irymple ..	L.I.	E.	(2)	20.7.60
15051	F.	Blundell, Lois Margaret ..	307 Macarthur-street, Ballarat ..	L.I.	E.	(2)	27.4.60
14864	F.	Bonica, Fiore	2 Bega-street, Moorabbin	M.	E.	(2)	17.2.60
14865	M.	Bonica, Paul	16 Garnet-street, West Brunswick ..	M.	E.	(2)	17.2.60
15449	M.	Boretta, Vittoria	4 Ann-street, Brunswick	L.I.	E.	(2)	23.11.60
13977	M.	Borg, Reno	58 Spring-street, Port Melbourne ..	M.	E.	(2)	16.3.60
15050	F.	Bosworth, Gail Marlene ..	Cramer-street, Preston	L.I.	E.	(2)	27.4.60
15136	M.	Bottari, Sammy	157 Melville-road, Pascoe Vale ..	L.I.	E.	(2)	27.4.60
15259	F.	Botten, Joyce Thelma	47 Banksia-street, Yallourn ..	L.I.	E.	(2)	20.7.60
15052	M.	Bowler, Mervyn Desmond ..	22 Turner-street, Leongatha ..	M.	E.	(2)	27.4.60
14966	F.	Boyle, Mabel Grace	22 Mary-street, Coburg	L.I.	E.	(2)	17.2.60
15144	F.	Bradley, Anne	115 Cape-street, Heidelberg ..	L.I.	E.	(2)	25.5.60
15328	F.	Braggiotti, Luisa	3 Woods-street, Balwyn	L.I.	E.	(2)	17.8.60
15432	F.	Bramley, Margaret L.	Flat 3, Blamey-street, Ascot Vale ..	L.I.	E.	(2)	26.10.60
15341	F.	Brealey, Wendy	17 Bristol-street, Moa	L.I.	E.	(2)	28.9.60
15342	F.	Brennan, Maureen	Corack East, via Donald	L.I.	E.	(2)	28.9.60
15245	M.	Brodo, Frank Vito	31 Finsbury-street, Flemington ..	M.	E.	(2)	22.6.60
15053	F.	Bruce-Gamble, Margaret ..	10 Bruce-street, Box Hill	L.I.	E.	(2)	27.4.60
15427	F.	Bruderer, Shirley	Flat 6, 95 Alma-road, St. Kilda ..	L.I.	E.	(1)	28.9.60
15054	F.	Buccella, Diana	Lot 5, Blackburn-road, Tally Ho ..	L.I.	E.	(2)	25.4.60
15343	M.	Bucoheri, Salvatore	123 Synott-street, Werribee ..	M.	E.	(2)	28.9.60
14866	F.	Buchanan, Lynette Thelma ..	24 Forrester-street, Essendon ..	L.I.	E.	(2)	17.2.60
14887	F.	Buettner, Erika	28 High-street, Kew	L.I.	E.	(2)	17.2.60

ADDITIONAL LIST OF HAIRDRESSERS REGISTERED UNDER THE PROVISIONS OF THE ACT (No. 6287)—continued.

No. of Registration.	Male— M. or Female— F.	Name.	Address.	Classes in Respect of which Registered, Men's—M., Ladies' Inclusive—L.L., Ladies' Limited—L.L.	Principal Teacher— T. Employee— E.	Whether Qualified under Sub-section (1) or (2) of Section 8.	Date of Registration.
15032	F.	Burdett, Catherine Margot ..	13 Westminster-street, Balwyn ..	L.I.	E.	(2)	16.3.60
15055	F.	Busch, Brigitta ..	1345 High-street, Malvern ..	L.I.	E.	(2)	27.4.60
15344	M.	Busfield, John Michael ..	5 Newbound-road, Castlemaine ..	M.	E.	(2)	28.9.60
14973	F.	Byno, Molly Janice ..	Flat 10, 51 Canterbury-road, Middle Park	L.I.	E.	(1)	17.2.60
15260	M.	Cacafuri, Gabriello ..	113 Henty-street, Reservoir ..	L.I.	E.	(2)	20.7.60
14868	F.	Cahir, Mary June ..	151 Toorak-road, South Camberwell ..	L.I.	P.	(2)	17.2.60
14978	M.	Caiazzo, Angelo ..	18 Crisp-avenue, Brunswick ..	L.I.	E.	(2)	16.3.60
15261	F.	Cairns, Sylvia ..	39 Linacro-road, Hampton ..	L.I.	E.	(2)	20.7.60
15262	F.	Calder, Jeanette ..	4 Miller-street, Coburg ..	L.I.	E.	(2)	20.7.60
15345	M.	Calderone, Gaetano Antonio ..	340 Waverley-road, East Malvern ..	M.	E.	(2)	28.9.60
15346	F.	Callaghan, Josephine ..	26 Banyan-street, Warrnambool ..	L.I.	E.	(2)	28.9.60
14869	F.	Campagna, Louise ..	17 Westbrooke-street, East Kew ..	L.I.	E.	(2)	17.2.60
15471	M.	Cannata, Francesco ..	9 Little Provost-street, North Mel- bourne	M.	E.	(2)	7.12.60
14871	M.	Capola, Guido ..	26 Herbert-street, Dandenong ..	M.	E.	(2)	17.2.60
14870	M.	Capone, Elio ..	7 Rowe-street, North Fitzroy ..	M.	E.	(2)	17.2.60
15488	F.	Carne, Valerie ..	Wood-street, Donald ..	L.I.	P.	(2)	7.12.60
15056	F.	Carpinelli, Nancy ..	5 Kildare-street, East Hawthorn ..	L.I.	E.	(2)	27.4.60
15263	F.	Carroll, Winifred ..	Manangatang ..	L.I.	P.	(2)	20.7.60
15314	F.	Case, Faye Lorraine ..	12 Nan-street, Box Hill ..	L.I.	P.	(2)	17.8.60
15184	F.	Castleman, Judith Marie ..	17 Sarnia-avenue, Mildura ..	L.I.	E.	(2)	27.4.60
14872	F.	Cawthray, Suzanne ..	15 Carson-street, Kew ..	L.I.	E.	(2)	17.2.60
15145	F.	Cervai, Mary ..	High-street, Nagambie ..	L.I.	E.	(2)	25.5.60
15146	M.	Cesari, Armando ..	11 Butler-street, Preston ..	L.I.	E.	(2)	25.5.60
15057	M.	Cassario, Salvatore ..	38 Alexander-parade, Fitzroy ..	M.	E.	(2)	27.4.60
15058	F.	Chambers, Sandra ..	49 Munro-street, North Kew ..	L.I.	E.	(2)	27.4.60
14873	F.	Charrington, Pamela ..	32 Oaklands-street, Maribyrnong ..	L.I.	E.	(2)	17.2.60
15315	M.	Chipperfield, Peta ..	Anzac-avenue, Hurstbridge ..	L.I.	E.	(2)	17.8.60
14874	F.	Chipperfield, Ruth ..	Main-street, Warburton ..	L.I.	P.	(2)	17.2.60
15199	M.	Cipriano, Colmetti ..	7 Hartley-street, Northcote ..	M.	E.	(2)	22.6.60
15264	M.	Clancy, Kevin William ..	Byran-street, Long Gully ..	M.	P.	(2)	20.7.60
15185	F.	Clark, Elwun Gwendoline ..	49 Honna-street, Warrnambool ..	L.I.	P.	(2)	25.5.60
15404	F.	Clark, Pamela ..	12 Mitchell-street, Footscray ..	L.I.	E.	(2)	28.9.60
15302	M.	Clark, Vaughan ..	52 Manningtree-road, Hawthorn ..	L.I.	E.	(2)	20.7.60
15059	F.	Clelland, Beverley ..	31 Alfred-street, Port Melbourne ..	L.I.	P.	(2)	27.4.60
14875	F.	Collicost, Glenis Ellen ..	91 Chaffoy-avenue, Mildura ..	L.I.	E.	(2)	17.2.60
15405	F.	Colman, Henriette ..	51 Orange-street, South Oakleigh ..	L.I.	P.	(2)	28.9.60
15400	F.	Colwill, Helen Gwendoline ..	39 Canterbury-road, Middle Park ..	L.I.	E.	(2)	28.9.60
15060	F.	Comito, Felice ..	89 Kerr-street, Fitzroy ..	M.	E.	(2)	27.4.60
14876	M.	Cummins, Michel Harry ..	9 Viva-street, Glen Iris ..	L.I.	E.	(2)	17.2.60
15061	F.	Condon, Joan Margaret ..	55 Grange-road, Alphington ..	L.I.	E.	(2)	27.4.60
15450	F.	Condon, Pamela ..	21 Wellington-street, Kew ..	L.I.	E.	(2)	26.10.60
14877	F.	Conlan, Helen ..	54 Warrandyte-road, Ringwood ..	L.I.	E.	(2)	17.2.60
15265	F.	Coomber, Margaret Carol ..	3 Shelley-street, West Heidelberg ..	L.I.	E.	(2)	20.7.60
15348	F.	Cortese, Barbara ..	28 Fenwick-street, North Carlton ..	L.I.	P.	(2)	28.9.60
15329	F.	Coulthurst, Heddy ..	149 Kilby-road, East Kew ..	L.I.	E.	(2)	17.8.60
15246	F.	Cowell, Lynette ..	1 Rita-street, Essendon ..	L.I.	E.	(2)	22.6.60
15433	F.	Cowley, Judith ..	Arthur-place, Croydon ..	L.I.	E.	(2)	26.10.60
14878	F.	Crabb, Celia Myra ..	45 Watter-street, Werribee ..	L.I.	E.	(2)	17.2.60
14879	F.	Craig, Ada Helen ..	539 Burke-road, South Hawthorn ..	L.I.	P.	(2)	17.2.60
15406	M.	Crea, Antoniette ..	281 Brunswick-street, Brunswick ..	L.I.	E.	(2)	28.9.60
15082	M.	Creedon, John ..	12 Princess-street, Fawkner ..	L.I.	E.	(2)	27.4.60
15316	F.	Crofts, Pamela ..	Warburton-road, Seville ..	L.I.	E.	(2)	17.8.60
15147	F.	Crow, Jill ..	Rushworth-road, Kyabram ..	L.I.	P.	(2)	25.5.60
15247	F.	Cunningham, Dorothy Jean ..	Katamatite-road, Nurmukah ..	L.I.	E.	(2)	22.6.60
14880	F.	Cunningham, Joy ..	17A Quatquatta-avenue, Elsternwick ..	L.I.	E.	(2)	17.2.60
14962	F.	Curran, Patricia Anne ..	311 Moreland-road, West Coburg ..	L.I.	E.	(2)	17.2.60
15407	F.	Dahlenburg, Kaye ..	Dimboola ..	L.I.	E.	(2)	17.8.60
15266	F.	Dal Costa, Coral ..	34 Baird-street, Ashburton ..	L.I.	E.	(2)	20.7.60
14881	M.	D'Amico, Enrico ..	16 Parer-street, Oakleigh ..	M.	E.	(2)	17.2.60
14882	M.	D'Amico, Santo ..	16 Parer-street, Oakleigh ..	M.	E.	(2)	17.2.60
15200	M.	D'Andrea, Osvaldo ..	135 Argyle-street, St. Kilda ..	M.	E.	(2)	22.6.60
15063	F.	D'Angelo, Lina ..	21 Chestnut-street, Richmond ..	L.I.	E.	(2)	26.3.60
15084	F.	Danks, Dawn ..	4 Murdock-street, West Brunswick ..	L.I.	P.	(2)	16.3.60
14979	M.	Daquino, Salvatore ..	10 Harkes-street, North Melbourne ..	L.I.	E.	(2)	17.2.60
14883	F.	Davenport, Marjorie ..	18 Ferris-street, South Melbourne ..	L.I.	E.	(2)	17.2.60
15030	F.	Davis, Miriam ..	Orchard-road, Bayswater ..	L.I.	E.	(1)	27.4.60
14980	F.	Davis, Valerie Eleanor ..	8 Storey-avenue, Hampton ..	L.I.	E.	(2)	18.3.60
15186	F.	Dawson, Rhonnda Annette ..	192 Hampton-street, Hampton ..	L.I.	P.	(2)	25.5.60
15065	F.	Day, Margaret ..	133 Synott-street, Werribee ..	L.I.	E.	(2)	16.3.60
15317	M.	Dean, William George ..	264 High-street, Ashburton ..	M.	E.	(1)	17.8.60
15201	F.	De Canne, Martha Johanna ..	198 Corrigan-street, Noble Park ..	L.I.	E.	(2)	22.6.60
14884	F.	Decker, Inge ..	9 Beckett-avenue, Bentleigh ..	L.I.	E.	(2)	17.2.60
15267	M.	De Folicibus, Vincenzo ..	348 Pigdon-street, North Carlton ..	L.I.	E.	(2)	20.7.60
15489	M.	De Francesco, Vito ..	665 Sydney-road, Brunswick ..	M.	E.	(2)	7.12.60
15026	F.	De Gray, Pamela Winifred ..	305 Carlyle-street, East St. Kilda ..	L.I.	E.	(1)	16.3.60
15330	E.	De Kretser, Dorothy Ray ..	14 Trentwood-avenue, North Balwyn ..	L.I.	E.	(2)	17.8.60
15490	M.	D'Elia, Michele ..	86 Union-street, Windsor ..	M.	E.	(2)	7.12.60
15068	F.	Dennis, Margaret Sheila ..	32 Myalla-street, Sunshine ..	L.I.	E.	(2)	27.4.60

ADDITIONAL LIST OF HAIRDRESSERS REGISTERED UNDER THE PROVISIONS OF THE ACT (No. 6267)—continued.

No. of Registration.	Male— M. or Female— F.	Name.	Address.	Classes in Respect of which Registered, Men's—M., Ladies' Inclusive—L.I., Ladies' Limited—L.L.	Principal— P. Teacher— T. Employee— E.	Whether Qualified under Sub-section (1) or (2) of Section 8.	Date of Regis- tration.
15067	M.	Dewar, Donald	49 Grandview-grove, East Prahran	L.I.	E.	(2)	27.4.60
15268	F.	Di Pasquale, Angelina	103 Haines-street, North Melbourne	L.I.	E.	(2)	20.7.60
15202	F.	Dixon, Louise Anne	1 Grosvenor-street, Brighton	L.I.	P.	(2)	22.6.60
15136	F.	Doak, Beverley	333 Plenty-road, Preston	L.I.	E.	(2)	27.4.60
15303	F.	Doe, Mavis Rosina	73 Abbott-street, Sandringham	L.I.	E.	(2)	20.7.60
14885	F.	Doherty, Catherine Anne	71 Claremont-avenue, Malvern	L.I.	E.	(2)	17.2.60
15452	F.	Donohoe, Dawn Kathleen	11 Shoobra-road, Elsternwick	L.I.	E.	(2)	28.9.60
14981	M.	Doraghazi, Janko	50 Sterling-street, Footscray	M.	P.	(2)	16.3.60
15068	F.	Doria, Antonetta	44 Pascoe-street, Williamstown	L.I.	E.	(2)	27.4.60
14886	F.	Dorr, Arelena Joy	27 Cole-street, Hawthorn	L.I.	E.	(2)	17.2.60
15137	F.	Douglas, Gwendoline	12 McGregor-street, Parkdale	L.I.	E.	(2)	27.4.60
15331	F.	Dowd, Nola Isabel	274 Waverley-road, East Malvern	L.I.	P.	(2)	17.8.60
15069	M.	Dow, Robert	36 Livingstone-street, East Coburg	L.I.	E.	(2)	27.4.60
14982	F.	Dragica, Kalenic	35 Smith-street, Fitzroy	L.I.	E.	(2)	16.3.60
15269	F.	Duffin, Wendy	7 Montgomery-street, Heidelberg	L.I.	E.	(2)	20.7.60
15453	M.	Duffy, Michael	19 Washington-avenue, East Malvern	L.I.	E.	(2)	23.11.60
14887	F.	Duggan, Maureen	10 Station-street, Camberwell	L.I.	E.	(2)	17.2.60
15070	M.	Duke, Jack Vincent	40 Richelieu-street, Maidstone	M.	E.	(1)	27.4.60
15071	M.	Duncan, Donald	39 Barkly-street, Mordialloc	L.I.	P.	(2)	27.4.60
15033	F.	Durant, Anne	55 Oriel-road, West Ivanhoe	L.I.	E.	(2)	16.3.60
15318	F.	Easton, Florence May	23 Plunkett-street, West Heidelberg	L.I.	E.	(2)	17.8.60
15203	M.	Ellard, James Robinson	5 Gordon-street, Hampton	M.	E.	(2)	22.6.60
15319	F.	Elliott, Kaye	Main-road, Belgrave	L.I.	E.	(2)	17.8.60
15350	F.	English, Faye Allison	7 Hartigan-street, Blackburn	L.I.	E.	(2)	28.9.60
14983	M.	Eriksson, Sten Ingerman	14 Deakin-street, West St. Kilda	M.	E.	(2)	16.3.60
15472	F.	Evans, Jewel Miriann	23 The Avenue, Lower Ferntree Gully	L.I.	E.	(2)	7.12.60
15434	M.	Falasca, Generiino	602 Canning-street, North Carlton	M.	E.	(2)	26.10.60
14888	F.	Felzner, Berta	121 Stuart-street, Brunswick	L.I.	E.	(2)	17.2.60
14889	F.	Ferguson, Janice	11 Weller-street, Dandenong	L.I.	E.	(2)	17.2.60
15408	M.	Ferracini, Alteris	306 Canning-street, Carlton	M.	E.	(2)	28.9.60
15409	F.	Ferrari, Amleto	601 Plenty-road, East Preston	L.I.	P.	(2)	28.9.60
15148	F.	Field, Iris	4 Bourke-street, Wangaratta	L.I.	P.	(2)	25.4.60
15072	F.	Finch, Judith	52 Service-street, Hampton	L.I.	E.	(2)	27.4.60
15401	F.	Finger, Ann Sandra	Burwood-road, Burwood	L.I.	E.	(2)	28.9.60
15149	M.	Finocchiro, Francesco	12 Kitchener-street, Trafalgar	M.	E.	(2)	25.5.60
15464	M.	Fitton, Edward Francis	14 Walter-street, Tecoma	M.	E.	(2)	23.11.60
15410	F.	Flaherty, Janice	201 Queen-street, Altona	L.I.	E.	(2)	28.9.60
15491	F.	Fogarty, Elizabeth Angela	Base Hospital, Mooroopna	L.I.	P.	(2)	7.12.60
14890	F.	Forbes, Yvonne	"Willow Dell", Murrabit	L.I.	E.	(2)	17.2.60
15508	F.	Ford, Eunice I.	77 Kangaroo-road, Oakleigh	L.I.	E.	(2)	7.12.60
14891	F.	Forwood, Elizabeth	27 Dutton-terrace, Medindie, S.A.	L.I.	E.	(2)	17.2.60
15248	F.	Foster, Joan	3 Langs-road, Ascot Vale	L.I.	E.	(2)	22.6.60
15270	F.	Foster, Margaret H.	Franklin-street, Morwell	L.I.	E.	(2)	20.7.60
15138	M.	Fox, Walter Leoburn	20 Green Gables-avenue, Chadstone	L.I.	E.	(2)	27.4.60
15351	F.	Franklin, Veronica Margaret	11 Beaufort-street, Mitcham	L.I.	E.	(2)	28.9.60
15473	F.	Freeman, Mary Eileen	13 Rosslyn-avenue, Seaford	L.I.	E.	(2)	7.12.60
15411	F.	Friedmann, Magda	96 Hotbam-street, East St. Kilda	L.I.	E.	(2)	28.9.60
15204	F.	Fritsch, Edna	368 Beaconsfield-parade, St. Kilda	L.I.	E.	(2)	22.6.60
15205	M.	Frost, Barry David	4 Tulip-crescent, Boronia	L.I.	E.	(2)	22.6.60
15206	M.	Fury, Anthony J.	444 St. Georges-road, Thornbury	L.I.	E.	(2)	22.6.60
15073	F.	Fyson, Aileen Margaret	189 Toorak-road, South Yarra	L.I.	E.	(2)	27.4.60
15074	F.	Gale, Margaret	34A Mills-street, Hampton	L.I.	E.	(2)	27.4.60
14967	F.	Gallus, Margaret Ruth	597 Bay-street, Frankston	L.I.	E.	(2)	17.2.60
14984	F.	Garai, Eva	136 Argyle-street, St. Kilda	L.I.	E.	(2)	16.3.60
14892	F.	Gardner, Valerie Winifred	23 Ellendale-street, McKinnon	L.I.	E.	(2)	17.2.60
15429	F.	Gassler, Amy	60 Liddiard-street, Hawthorn	L.I.	P.	(2)	28.9.60
15034	F.	Gawne, Margaret Mary	20 Nora-avenue, Oakleigh	L.I.	E.	(2)	16.3.60
15075	F.	Gazzola, Gloria Josephine	29 Union-street, West Brunswick	L.I.	E.	(2)	27.4.60
14893	F.	Gerendasi, Eva	18 William-street, Footscray	L.I.	E.	(2)	17.2.60
14894	M.	Gielen, Harmanus Antonius	109 Willow Bend, Bulleen	M.	E.	(2)	17.2.60
14895	M.	Gigliotti, Antonio	516 Flinders-street, Melbourne	M.	E.	(2)	17.2.60
15352	F.	Glynn, Audrey	12 Tanner-grove, Northcote	L.I.	E.	(2)	28.9.60
15353	F.	Gobeo, Lucia	20 Annand-street, North Fitzroy	L.I.	E.	(2)	28.9.60
14896	F.	Goldsmith, Robyn	57 Wright-street, McKinnon	L.I.	E.	(2)	17.2.60
15076	F.	Goss, Angela Julia	141 Beaconsfield-parade, Albert Park	L.I.	E.	(2)	27.4.60
14897	F.	Gottschalk, Regina	86 Marshall-road, West Essendon	L.I.	E.	(2)	17.2.60
15354	F.	Gourvelou, Sophia	194 Queensbury-street, Carlton	L.I.	P.	(2)	28.9.60
15271	F.	Granger, Lesley	6 Edinburgh-street, East Bentleigh	L.I.	E.	(2)	20.6.60
14985	F.	Green, Sylvia Audrey	18 Rogers-avenue, East Brighton	L.I.	E.	(2)	16.3.60
15142	F.	Greene, Verna Mary	23A Adelaide-arcade, Adelaide	L.I.	P.	(1)	27.4.60
15207	F.	Greiner, Noel Jennifer	"Waleroonga", Tongala	L.I.	E.	(2)	22.6.60
15208	M.	Guardabascio, Vito	16 Canning-street, North Melbourne	M.	E.	(2)	22.6.60
15077	F.	Guest, Joy	87 Hightt-road, Hampton	L.I.	E.	(2)	27.4.60

ADDITIONAL LIST OF HAIRDRESSERS REGISTERED UNDER THE PROVISIONS OF THE ACT (No. 6267)—*continued.*

No. of Registration.	Male— M. or Female— F.	Name.	Address.	Classes in Respect of which Registered, Men's—M., Ladies'—L.I., Ladies' Limited—J.L.	Principal— Teacher— T. Employee— E.	Whether Qualified under Sub-section (1) or (2) of Section 8.	Date of Registration.
10578	F.	Haby, Margaret Lorraine ..	30 Faith-street, Dimboola ..	L.I.	E.	(2)	27.4.60
14898	F.	Hagan, Patricia Clare ..	26 Kalyrna-grove, East St. Kilda ..	L.I.	E.	(2)	17.2.60
15355	F.	Hain, Nina ..	17 Windsor-avenue, Oakleigh ..	L.I.	E.	(2)	28.9.60
15079	F.	Halloran, Mary Ellen ..	38 Burrindi-road, Caulfield ..	L.I.	E.	(2)	27.4.60
15492	F.	Hamblin, Denise ..	176A Wickham-road, Moorabbin ..	L.I.	E.	(2)	7.12.60
15150	F.	Hamilton, Muriel ..	66 Ruskin-street, Elwood ..	L.I.	E.	(2)	25.5.60
14899	M.	Hancock, Colin Arthur ..	26 Maugie-street, Abbotsford ..	M.	E.	(1)	17.2.60
14971	F.	Hanlon, Valerie Margaret ..	4 Briggs-street, South Caulfield ..	L.I.	E.	(2)	17.2.60
15356	F.	Hanrahan, Jennifer ..	79 Perry-street, Fairfield ..	L.I.	E.	(2)	28.9.60
15272	M.	Haritopoulos, Mick ..	86 Perry-street, Collingwood ..	M.	E.	(2)	28.7.60
14986	F.	Harker, Leonie ..	Ouyon ..	L.I.	E.	(2)	16.3.60
15080	F.	Harris, Gloria ..	Gertrude-street, Fitzroy ..	L.I.	E.	(2)	27.4.60
14535	F.	Hart, Lynette Joy ..	36 Rowe-street, Maidstone ..	L.I.	E.	(2)	26.10.60
15332	F.	Hart, Yvonne ..	30 Elizabeth-street, East Bentleigh ..	L.I.	E.	(2)	17.8.60
15273	F.	Harte, Maree ..	18 Delaware-street, Rerservoir ..	L.I.	E.	(2)	20.7.60
15274	F.	Hartup, Patricia Ethel ..	34 Littleton-street, Castlemaine ..	L.I.	E.	(2)	20.7.60
14900	F.	Harwood, Maureen ..	9 Lawrence-street, Heidelberg ..	L.I.	E.	(2)	17.2.60
14901	F.	Haskell, Lois Joy ..	21 White-street, North Williamstown ..	L.I.	E.	(2)	17.2.60
15357	F.	Hawthorn, Kaye Elizabeth ..	37 Albert-street, Warragul ..	L.I.	E.	(2)	28.9.60
14987	F.	Hayes, Dorothy ..	Flat 5, 2 Grattan-street, Hawthorn ..	L.I.	E.	(2)	16.3.60
15151	F.	Hayes, Jillian ..	353 Church-street, Richmond ..	L.I.	P.	(2)	25.5.60
14902	F.	Helweg, Theadora ..	11 Foam-street, Ascendale ..	L.I.	E.	(2)	17.2.60
14903	F.	Henderson, Jean ..	353 Church-street, Richmond ..	L.I.	P.	(2)	17.2.60
15444	F.	Hermann, Christa ..	10 Violet-court, South Blackburn ..	L.I.	E.	(1)	26.10.60
14904	F.	Hernan, Wendy ..	Hume Highway, Winton ..	L.I.	E.	(2)	17.2.60
15275	F.	Hickey, Wendy ..	314 Wendouree-parade, Ballarat ..	L.I.	E.	(2)	20.7.60
14905	F.	Hicks, Joy Maree ..	40 Sharp-street, Yarrowonga ..	L.I.	E.	(2)	17.2.60
14906	F.	Hicks, May Laura ..	133 Kerford-road, Albert Park ..	L.I.	E.	(2)	17.2.60
15081	F.	Hie, Agnes ..	242 Victoria-street, Brunswick ..	L.I.	E.	(2)	27.4.60
15180	F.	Hird, Carleen Judith ..	49 Bourneville-avenue, East Brighton ..	L.I.	E.	(1)	25.5.60
15326	F.	Hogan, Valerie Ann ..	23 Crosbie-road, Murrumbena ..	L.I.	E.	(1)	17.8.60
15493	F.	Holbrow, Nigel ..	Flat 12, 35 Bromley-street, South Yarra ..	L.I.	E.	(2)	7.12.60
15358	F.	Holden, Mhairi ..	"Clovenfords", Glenshian-crescent, Mt. Eliza ..	L.I.	E.	(2)	28.9.60
15152	F.	Holding, Irene N. ..	143 Anzac-avenue, Seymour ..	L.I.	E.	(2)	25.5.60
15210	M.	Holt, Norman John ..	6 Hayes-street, Shepparton ..	M.	P.	(2)	22.6.60
15304	F.	Hope, Marion Lorna ..	18 Margaret-street, Murrumbena ..	L.I.	E.	(2)	20.7.60
15305	M.	Hossack, Charles ..	70 Wales-street, Thornbury ..	L.I.	P.	(2)	20.7.60
14907	F.	Hossack, Janet ..	70 Wales-street, Thornbury ..	L.I.	P.	(2)	17.2.60
15412	F.	Howard, Lee Bowyer ..	265 Barkly-street, North Fitzroy ..	L.I.	E.	(2)	28.9.60
15209	F.	Hughes, Rae ..	105 St. David-street, Thornbury ..	L.I.	E.	(2)	22.6.60
15082	F.	Iacuone, Lina ..	410 Church-street, Richmond ..	L.I.	P.	(2)	27.4.60
15465	F.	Ikert, Ellen ..	12 Para-street, South Melbourne ..	L.I.	E.	(2)	23.11.60
15083	F.	Ingham, Margaret ..	27 McGregor-street, Middle Park ..	L.I.	E.	(2)	27.4.60
14988	F.	Ingwersen, Coral Lavenia ..	113 Queen-street, Altona ..	L.I.	E.	(2)	16.3.60
15211	F.	Ireland, Wynette Ethel ..	McCulloch-street, Dromana ..	L.I.	E.	(2)	22.6.60
15084	F.	Ison, Suzanne ..	2 College-road, Werribee ..	L.I.	E.	(2)	27.4.60
15085	F.	Jacobs, Johanna Wilhelmina ..	5 Robert-street, Bentleigh ..	L.I.	E.	(2)	28.4.60
15187	M.	Jahn, Franz ..	34 Rich-avenue, Noble Park ..	L.I.	E.	(2)	25.5.60
15276	M.	James, Damian ..	43 Kensington-road, South Yarra ..	L.L.	E.	(2)	20.7.60
15212	M.	Jelo, Joseph ..	15A Brighton-road, St. Kilda ..	M.	E.	(2)	22.6.60
15454	F.	Jenkins, Dawn Pamela ..	13 Vincent-avenue, Edithvale ..	L.I.	E.	(2)	23.11.60
15153	F.	Jenner, Barbara ..	23 Shepparton-avenue, Carnegie ..	L.I.	E.	(2)	25.5.60
14989	F.	Jennings, Jeanette Dawn ..	84 Gawler-street, Portland ..	L.I.	E.	(2)	16.3.60
14990	F.	Jilberg, Vicki Marian ..	31 Burwood-road, Hawthorn ..	L.I.	E.	(2)	16.3.60
15311	F.	Johnston, Dianne Lucille ..	Mentone ..	L.I.	E.	(2)	20.7.60
15277	F.	Johnston, Lynne ..	104 Rosamond-road, Maidstone ..	L.I.	E.	(2)	20.7.60
15213	F.	Johnstone, Micheline ..	317 Whitehorse-road, North Croydon ..	L.I.	E.	(2)	22.6.60
15035	M.	Jones, Brian E. ..	83 Hobson-street, Newport ..	M.	E.	(1)	16.3.60
15154	F.	Jones, Lesley ..	Woori Yallock-road, Cockatoo ..	L.I.	E.	(2)	25.5.60
14908	F.	Jones, Marjorie Yvonne ..	18 Sutton-parade, North Box Hill ..	L.I.	P.	(2)	17.2.60
14909	F.	Jones, Nancy ..	210 Barkly-street, Footscray ..	L.I.	P.	(2)	17.2.60
14910	M.	Jones, Raymond John ..	1 Dorothy-avenue, Belmont ..	M.	E.	(2)	17.2.60
14911	M.	Jovanovich, Slavoljub ..	318 Lennox-street, Richmond ..	M.	E.	(2)	17.2.60
14912	F.	Joyce, Veronica Maureen ..	455 Wyndham-street, Shepparton ..	L.I.	E.	(2)	16.3.60
15214	F.	Juhasz, Olga ..	10 Polden-crescent, Morwell ..	L.I.	E.	(2)	22.6.60
15086	F.	Juleff, Margaret ..	14 Kaumple-street, Pascoe Vale ..	L.I.	E.	(2)	27.4.60
14913	F.	Julien, Beverley Dawn ..	41 Price-street, Torquay ..	L.I.	E.	(2)	17.2.60
15413	F.	Jupp, Gladys May ..	64 Playne-street, Frankston ..	L.I.	E.	(2)	28.9.60
14914	M.	Kalkandis, Peter ..	2 Shields-street, Wangaratta ..	M.	P.	(2)	17.2.60
14991	M.	Kamenaric, Joe ..	28 Banfield-street, Bell Park ..	M.	E.	(2)	16.3.60
15320	F.	Kapnoullis, Christine ..	178 Gipps-street, Abbotsford ..	L.I.	E.	(2)	17.8.60
15494	M.	Karambatsos, Photios ..	263 Princes-street, Port Melbourne ..	M.	E.	(2)	7.12.60
15278	F.	Kelly, Patay ..	137 Neerim-road, Glenhuntly ..	L.I.	E.	(2)	20.7.60
15321	F.	Kelly, Pamela ..	Box 7, Merino ..	L.I.	P.	(2)	17.8.60

ADDITIONAL LIST OF HAIRDRESSERS REGISTERED UNDER THE PROVISIONS OF THE ACT (No. 6267)—*continued.*

No. of Registration.	Male— M. or Female— F.	Name.	Address.	Classes in Respect of which Registered, Men's—M., Ladies' Inclusive—L.I., Ladies' Limited—L.L.	Principal Teacher—T., Employee—E.	Whether Qualified under Sub-section (1) or (2) of Section 8.	Date of Registration.
15486	F.	Kelly, Patricia	305 Riversdale-road, East Hawthorn ..	L.I.	E.	(1)	7.12.60
15216	F.	Kelly, Rosalie M.	362 Albert-street, East Melbourne ..	L.I.	E.	(2)	22.8.60
15037	F.	Kennedy, Judith Anne ..	11 Skidders-road, Warragul ..	L.I.	E.	(2)	16.3.60
15279	F.	Kiefel, Kathryn	21 Manningtree-road, Hawthorn ..	L.I.	E.	(2)	20.7.60
15255	M.	Kilpatrick, Allan	2 Elizabeth-grove, Bundoora ..	M.	E.	(1)	22.6.60
14992	M.	Klausgraber, Frank	14 Gooderick-street, South Oakleigh ..	M.	E.	(2)	16.3.60
15474	F.	Knape, Patricia Laurel ..	200 Kent-road, Hamilton ..	L.I.	P.	(2)	7.12.60
15036	F.	Knowles, Joyce Margaret ..	Cranbourne-road, Dandenong ..	L.I.	P.	(2)	16.3.60
15215	F.	Koosis, Christine Katherine ..	Westmount-road, Healesville ..	L.I.	P.	(2)	22.6.60
15155	F.	Koniaras, Doula	13 Barkly-street, North Fitzroy ..	L.I.	P.	(2)	27.4.60
15455	F.	Konstantinidou, Mary ..	124 Elizabeth-street, North Richmond ..	L.I.	E.	(2)	23.11.60
15088	F.	Kool, Johanna E.	82 Desailly-street, Sale ..	L.I.	P.	(2)	27.4.60
15466	M.	Kotis, Emmanuel	47 Rose-street, Fitzroy ..	M.	E.	(2)	23.11.60
15333	F.	Kraal, Mary Theresa	53 McLaurin-road, Carnegie ..	L.I.	E.	(2)	17.8.60
15350	F.	Kuhn, Jennifer Margaret ..	36 Woodland-street, Essendon ..	L.I.	E.	(2)	28.9.60
15414	M.	Kyriakidis, Con	20 Rosshire-road, West Newport ..	M.	E.	(2)	28.9.60
15475	M.	Kyriakidis, Milton	22 Windsor-avenue, Strathmore ..	M.	E.	(2)	7.12.60
14972	M.	Kyriakou, Paulos	18 Bayview-avenue, Hawthorn ..	M.	E.	(1)	17.2.60
15089	F.	Lacy, Lynette Joy	106 Spensley-street, Clifton Hill ..	L.I.	E.	(2)	27.4.60
14993	F.	Ladd, Valerie June	High Street-road, Mount Waverley ..	L.I.	E.	(2)	17.2.60
15456	F.	Laemmle, Erika L.	8 Carrington-street, Moorabbin ..	L.I.	E.	(2)	23.11.60
15249	F.	Lamche, Jutta	192 Beach-road, Mordialloc ..	L.I.	E.	(2)	22.6.60
14994	F.	Lancaster, Barbara Lesley ..	3 Morshead-street, Ascot Vale ..	L.I.	E.	(2)	16.3.60
15360	F.	Landau, Vera C.	646 Inkerman-road, Caulfield ..	L.I.	P.	(2)	28.9.60
15091	M.	Lane, Keith William	256 High-street, Belmont, Geelong ..	L.I.	E.	(2)	27.4.60
15090	F.	Lane, Lois Margaret	69 Wawunna-road, Horsham ..	L.I.	E.	(2)	27.4.60
15092	F.	Larkin, Sandra J.	46 Miles-street, Ivanhoe ..	L.I.	P.	(2)	27.4.60
15361	M.	Larkins, Gavin Charles ..	68 Argyle-street, Fawkner ..	M.	E.	(2)	28.9.60
15457	F.	Laste, Rita Dallo	445 Rathdowne-street, Carlton ..	L.I.	P.	(2)	23.11.60
15445	F.	Latimer, Sandra Mary ..	5 Melrose-avenue, East Malvern ..	L.I.	E.	(2)	26.10.60
14915	F.	Lazzaro, Carlo Cessare ..	285 Johnston-street, Abbotsford ..	M.	E.	(2)	17.2.60
14916	F.	Leatham, Deanne	6 Roselyn-street, Burwood ..	L.I.	E.	(2)	17.2.60
15362	F.	Lee, Pamela Ann	"Tralee", Bushy Park, via Maffra ..	L.I.	E.	(2)	28.9.60
14995	F.	Leitch, Esma Lorraine ..	15 Oakleigh-road, Carnegie ..	L.I.	E.	(2)	16.3.60
15156	F.	Lenfranchi, Elaine	Murrayville ..	L.I.	E.	(2)	25.5.60
15157	F.	Lester, Elsie	773 Rathdowne-street, North Carlton ..	L.I.	E.	(2)	25.5.60
15093	F.	Leviston, Dorothy	13 Dower-street, Burwood ..	L.I.	P.	(2)	27.4.60
14996	F.	Lewis, Colleen	33 Ellendale-road, Noble Park ..	L.I.	E.	(2)	16.3.60
14997	F.	Lia, Joyce	James-street, Pakenham ..	L.I.	P.	(2)	16.3.60
15217	F.	Liddle, Rosely Kaye	55 Scott-street, Warracknabeal ..	L.I.	P.	(2)	22.6.60
15094	F.	Linke, Marlene	24 St. Vincent-place, Albert Park ..	L.I.	E.	(2)	27.4.60
15280	F.	Little, Nancy Gwendoline ..	9 Munro-street, Hawthorn ..	L.I.	E.	(2)	20.7.60
15313	F.	Little, Marilyn	98 Murphy-street, Wangaratta ..	L.I.	E.	(2)	20.7.60
14917	F.	Llewellyn, Janice Edith ..	2 Margaret-crescent, Bendigo ..	L.I.	E.	(2)	17.2.60
15363	F.	Lloyd, Alison Margaret ..	Nanneella South, via Rochester ..	L.I.	E.	(2)	28.9.60
15467	F.	Lobb, Lorraine Nancy ..	264 Dendly-street, Brighton ..	L.I.	E.	(2)	23.11.60
15095	F.	Lockwood, Judith Ann ..	30 Queen-street, Mornington ..	L.I.	E.	(2)	26.4.60
15364	F.	Logie, Heather May	30 Wisewould-street, Flemington ..	L.I.	E.	(2)	28.9.60
15143	F.	Long, Annette	Turner-street, East Malvern ..	L.I.	E.	(2)	27.4.60
15281	F.	Looten, Johanna Catherine ..	508 Main-road, Tecoma ..	L.I.	E.	(2)	20.7.60
14998	M.	Loverso, Ido	21 Field-street, Shepparton ..	M.	E.	(2)	27.4.60
15250	F.	Lukacs, Eva Anne	20 Garden-avenue, Glenhuntly ..	L.I.	E.	(2)	22.6.60
15158	F.	Lynch, Mary Anne	227 Jasper-road, McKinnon ..	L.I.	E.	(2)	25.5.60
15322	F.	McArthur, Janice	State Savings Bank, Croxton ..	L.I.	E.	(2)	17.8.60
14918	M.	McAughtrie, Thomas	51 Armadale-road, Armadale ..	M.	E.	(2)	17.2.60
15159	F.	McCallum, Heather Anne ..	Ascot ..	L.I.	E.	(2)	25.5.60
15096	F.	McCarthy, Marion	Merbein ..	L.I.	E.	(2)	17.2.60
15097	F.	McCormack, Christine ..	246 San Matio-avenue, Mildura ..	L.I.	E.	(2)	27.4.60
15218	F.	McCoubrie, Beryl Jean ..	78 Nicholson-street, East Coburg ..	L.I.	P.	(2)	22.6.60
15282	F.	McDonald, Annette	5 Albert-street, Caulfield ..	L.I.	E.	(2)	20.7.60
15436	F.	McDougall, Marie	Cathcart-street, Buninyong ..	L.I.	E.	(2)	26.10.60
15190	F.	McErlain, Gwenda Mary ..	Lot 129, Jukes-road, Fawkner ..	L.I.	E.	(2)	25.5.60
15283	F.	McEwan, Margaret	Riddells Creek ..	L.I.	E.	(2)	20.7.60
15365	F.	McGennissen, Helen June ..	2 McRae-street, Seaford ..	L.I.	E.	(2)	28.9.60
15476	F.	McGilton, Dawn Elizabeth ..	22 Bower-street, Warragul ..	L.I.	P.	(2)	7.12.60
14919	M.	McGurgan, Patrick Ernest ..	27 Callister-street, Shepparton ..	M.	E.	(2)	17.2.60
15160	F.	McInnes, Julie Patricia ..	65 Hightett-road, Hampton ..	L.I.	E.	(2)	25.5.60
14920	F.	McIntosh, Pamela Anne ..	31 Austin-avenue, Elwood ..	L.I.	E.	(2)	17.2.60
14921	F.	McIntyre, Judith Ann ..	341 Waterdale-road, West Heidelberg ..	L.I.	E.	(2)	17.2.60
14968	F.	McLean, Judith Ann	81 Wattle-street, Bendigo ..	L.I.	E.	(2)	17.2.60
15181	F.	McMillan, Carol	516 Kent-street, Sydney ..	L.I.	P.	(1)	27.4.60
15284	F.	McTaggart, Elizabeth ..	28 Combermere-street, Essendon ..	L.I.	E.	(2)	20.7.60
15219	F.	Madden, Moira	Coach and Horses Hotel, Ringwood ..	L.I.	E.	(2)	22.6.60
15437	F.	Madeley, Faye Lorraine ..	436 Houghton-road, Clayton ..	L.I.	E.	(2)	26.10.60
15366	F.	Malone, Marjorie Lois ..	6 Glenola-road, Chelsea ..	L.I.	E.	(2)	28.9.60
14922	F.	Maloney, Beverley Alpha ..	25 Edgcombe-street, Kyneton ..	L.I.	E.	(2)	17.2.60
15415	M.	Mamo, Peter	21 Ashmore-street, East Brunswick ..	M.	E.	(2)	28.9.60
15161	M.	Manderson, Clifford	16 Claremont-street, East Coburg ..	M.	E.	(1)	27.4.60
15188	M.	Maragos, Gerasimos	26 Bishop-street, Brunswick ..	M.	E.	(2)	25.5.60

ADDITIONAL LIST OF HAIRDRESSERS REGISTERED UNDER THE PROVISIONS OF THE ACT (No. 6267)—continued.

No. of Registration.	Male— M. or Female— F.	Name.	Address.	Classes In Respect of which Registered, Mon 9—M., Ladies' Inclusive—L.I., Ladies' Limited—L.L.	Principal— P. Teacher— T. Employee— E.	Whether Qualified under Sub-section (1) or (2) of Section 8.	Date of Registration.
15220	F.	Marchese, Angelo ..	453 Albert-street, West Brunswick ..	M.	E.	(2)	22.6.60
14924	M.	Marina, Domenico ..	9 Waterdale-street, St. Kilda ..	M.	E.	(2)	17.2.60
15098	F.	Marinelli, Antounette ..	17 Wingate-street, East Bentleigh ..	L.I.	E.	(2)	27.4.60
15416	F.	Martin, Denise ..	75 Thackeray-road, Reservoir ..	L.I.	E.	(2)	28.9.60
15285	F.	Martindale, C. T. ..	524 Main-road, Mordialloc ..	L.I.	E.	(2)	20.7.60
15162	F.	Marx, Ingrid ..	17 Knight-street, Shepparton ..	L.I.	P.	(2)	25.5.60
15099	F.	Massey, Jenifer Maree ..	34 Waiora-road, Rosanna ..	L.I.	E.	(2)	27.4.60
15367	M.	Mastrantuono, Domenico ..	108 Cross-street, West Footscray ..	M.	E.	(2)	28.9.60
14923	F.	Mathieson, Marie ..	Moona Gana, Nullawarre ..	L.I.	E.	(2)	17.3.60
15507	M.	Mauro, Giovanni ..	1 Clovis-street, Clayton ..	M.	E.	(2)	7.12.60
15418	F.	Meagher, Pamela Ann ..	31 Fourth-street, Parkdale ..	L.I.	E.	(2)	28.9.60
15368	F.	Meidanis, Despina ..	115 Cowper-street, Footscray ..	L.I.	E.	(2)	28.9.60
15100	M.	Menelau, Aristidis ..	133 Coppin-street, Richmond ..	M.	E.	(2)	27.4.60
14999	F.	Merrick, Denise Marie ..	953 Dandenong-road, East Malvern ..	L.I.	E.	(2)	17.2.60
15369	M.	Merzel, Madja ..	7 Pascoe-street, Williamstown ..	M.	E.	(2)	28.9.60
15498	F.	Meyer, Elizabeth ..	9 Killena-avenue, Benalla ..	L.I.	P.	(2)	7.12.60
15458	F.	Micha, Trudy ..	529 Upper Heidelberg-road, Heidelberg ..	L.I.	E.	(2)	26.9.60
15101	F.	Mickelborough, Marjorie ..	Kingston-road, Heatherton ..	L.I.	E.	(2)	27.4.60
15370	F.	Miggiano, Ferruccio ..	35 Crook-street, Brunswick ..	L.I.	E.	(2)	28.9.60
15323	F.	Miller, Glenda ..	113 Lonsdale-street, Melbourne ..	L.I.	E.	(2)	17.8.60
15163	F.	Miller, Teresa Elizabeth ..	28 Empress-road, Surrey Hills ..	L.I.	E.	(2)	25.5.60
15164	F.	Millis, Margaret ..	1a Munro-street, Ashburton ..	L.I.	E.	(2)	25.5.60
15191	M.	Mills, Lance Arthur ..	218 Essex-street, West Footscray ..	M.	E.	(2)	25.5.60
14927	F.	Mine, Gela ..	83 Raleigh-street, Windsor ..	L.I.	E.	(2)	17.2.60
15121	F.	Minogue, Ann Marie ..	14 Morris-street, Williamstown ..	L.I.	P.	(2)	27.4.60
15371	F.	Mitchell, Sue ..	214 Balaclava-road, Caulfield ..	L.I.	E.	(2)	28.9.60
15372	M.	Modafferi, Salvatore ..	5 Homer-street, Moonee Ponds ..	M.	E.	(2)	28.9.60
15446	F.	Mole, Rene ..	98 Male-street, North Brighton ..	L.I.	E.	(2)	26.10.60
14925	F.	Molloy, Judith Lorraine ..	49 Edward-street, Sandringham ..	L.I.	E.	(2)	17.2.60
15495	F.	Molnar, Annelies ..	1568 Malvern-road, Glen Iris ..	L.I.	E.	(2)	7.12.60
15221	M.	Montalto, Guiseppe ..	2 Salisbury-street, Werribee ..	M.	E.	(2)	22.6.60
15037	F.	Moon, Yvonne ..	199 Clarendon-street, South Melbourne ..	L.I.	E.	(2)	16.3.60
15222	M.	Moretti, Bruno ..	52 Robeson-street, West Preston ..	M.	E.	(2)	22.6.60
15102	F.	Morgan, Barbara ..	18 Romana-avenue, Chadstone ..	L.I.	E.	(2)	27.4.60
15438	F.	Morgan, Margaret ..	937 High-street, Reservoir ..	L.I.	E.	(2)	26.10.60
15373	F.	Moriarty, Kathleen ..	70 Yarra-street, Reservoir ..	L.I.	E.	(2)	28.9.60
15165	F.	Morris, Sandra Lynette ..	Box 34, Cohuna ..	L.I.	E.	(2)	25.5.60
15103	F.	Morton, Nolene Margaret ..	20 Girton-crescent, West Geelong ..	L.I.	E.	(2)	27.4.60
15417	F.	Motherwell, Iris ..	1 Paloma-street, South Oakleigh ..	L.I.	E.	(2)	28.10.60
15374	M.	Mpithisiakas, George ..	41 George-street, Fitzroy ..	M.	E.	(2)	28.10.60
15000	M.	Mucciacciaro, Antonio ..	5 Edgar-street, West Footscray ..	M.	P.	(2)	16.3.60
14926	F.	Munday, Marlene ..	86 Tarrengwer-street, Yarraville ..	L.I.	E.	(2)	17.2.60
15139	F.	Nardella, Mary ..	Parker-road, Silvan ..	L.I.	E.	(2)	27.4.60
15028	F.	Nation, Norma Joyce ..	12 Leahy-street, Shepparton ..	L.I.	E.	(1)	16.3.60
14928	M.	Neatnica, Zarko ..	52 Taylor-street, South Melbourne ..	M.	P.	(2)	17.2.60
15496	F.	Nenstiel, Kati ..	70 Eleanor-street, Footscray ..	L.I.	E.	(2)	7.12.60
15166	M.	Newcombe, Ian ..	17 Norgate-street, Pascoe Vale ..	L.I.	E.	(2)	25.5.60
15104	F.	Newcombe, Judith ..	Norville-street, East Bentleigh ..	L.I.	E.	(2)	27.4.60
14929	F.	Newton, Valerie Ann ..	138 Young-street, Frankston ..	L.I.	E.	(2)	17.2.60
15510	F.	Nicolosi, Angela ..	49 Kent-street, Ascot Vale ..	L.I.	E.	(2)	7.12.60
15001	F.	Nightingale, — ..	52 William-street, Port Fairy ..	L.I.	E.	(2)	16.3.60
15459	F.	Northwood, Erolyn Margery ..	59 Station-avenue, North Balwyn ..	L.I.	E.	(2)	23.11.60
15223	M.	Nowak, Stanislaw Maxmillan ..	11 Railway-crescent, Williamstown ..	M.	E.	(2)	22.6.60
15224	M.	Nowotarski, Bronislaw ..	41 Hobbs-crescent, Reservoir ..	M.	E.	(2)	22.6.60
14969	F.	O'Connell, Margaret ..	70 Richelieu-street, Maidstone ..	L.I.	P.	(2)	17.2.60
15105	F.	O'Connor, Marie ..	12 Tyler-street, Sunshine ..	L.I.	E.	(2)	27.4.60
14930	F.	Olive, Barbara Suzanne ..	38 Cooloongatta-road, Camberwell ..	L.I.	E.	(2)	17.2.60
15428	M.	Ollis, Kevin Royston ..	3 Maple-crescent, Bell Park, Geelong ..	M.	E.	(-)	28.10.60
15499	F.	O'Reilly, Christine Noel ..	19 Logan-street, Canterbury ..	L.I.	E.	(2)	7.12.60
15376	F.	O'Riley, Raeleen ..	462 City-road, South Melbourne ..	L.I.	E.	(2)	28.10.60
15375	F.	Otto, Gladys Ilma ..	59 Beach-street, Frankston ..	L.I.	P.	(2)	28.10.60
15419	F.	Paez, Dawn ..	178 Warrigal-road, Oakleigh ..	L.I.	E.	(2)	28.9.60
15468	M.	Paolini, Vincenzo ..	140 Fergie-street, Fitzroy ..	M.	P.	(2)	26.10.60
15460	M.	Paris, Armando ..	9 Lingwell-road, Hawthorn ..	M.	E.	(2)	26.10.60
15420	F.	Park, Joan ..	5 St. Georges-grove, West Parkdale ..	L.I.	E.	(2)	28.9.60
15167	F.	Paterson, Judith A. ..	37 Connie-street, South Oakleigh ..	L.I.	E.	(2)	25.5.60
14931	F.	Paton, Yvonne ..	49 Parer-street, Burwood ..	L.I.	E.	(2)	17.2.60
15500	M.	Pattas, Panagiotis ..	354 High-street, Northcote ..	M.	E.	(2)	7.12.60
15286	F.	Paul, Patricia ..	65 Woodlands-avenue, Pascoe Vale South ..	L.I.	E.	(2)	20.7.60
14963	F.	Pearce, Elena Mikhailovna ..	58 Queens-road, Melbourne ..	L.I.	P.	(1)	17.2.60
15501	M.	Peiou, Sotirios ..	31 Riley-street, Wangaratta ..	M.	E.	(2)	7.12.60
15168	F.	Pennington, Genevieve ..	Tully-road, South Clayton ..	L.I.	E.	(2)	25.5.60
14932	F.	Perkins, Beverley Anne ..	219 Station-street, North Clayton ..	L.I.	E.	(2)	17.2.60

ADDITIONAL LIST OF HAIRDRESSERS REGISTERED UNDER THE PROVISIONS OF THE ACT (No. 6267)—*continued.*

No. of Registration.	Male— M. or Female— F.	Name.	Address.	Classes in Respect of which Registered, Men's—M., Ladies'—L.I., Ladies' Limited—L.L.	Principal Teacher— P. Employee— E.	Whether Qualified under Sub-section (1) or (2) of Section 8.	Date of Registration.
15421	F.	Perri, Louis	24 St. Phillips-street, East Brunswick	L.I.	E.	(2)	23.9.60
14933	M.	Perry, John Carlyle	8 Centre Dandenong-road, Cheltenham	L.I.	E.	(2)	17.2.60
15225	M.	Philippou, Antoinette	1 Pouth-road, East Bentleigh ..	L.I.	P.	(2)	22.6.60
15169	F.	Phillips, Janice	280 Springfield-road, Nunawading ..	L.I.	E.	(2)	25.5.60
15002	F.	Picimini, Rigo Maria	358 Springvale-road, Springvale ..	L.I.	E.	(2)	16.3.60
14934	F.	Pierce, Margaret Veronica	6 Raglan-street, South Ballarat ..	L.I.	E.	(2)	17.2.60
14964	F.	Playl, Dawn Jeanette	16 Wingrove-street, Forrest Hill ..	L.I.	E.	(1)	17.2.60
15027	M.	Plutino, Egizio	58 Eastgate-street, Pascoe Vale ..	M.	E.	(1)	16.3.60
15003	M.	Poullos, Athanasios	44 Gore-street, Fitzroy	M.	E.	(2)	16.3.60
15441	M.	Powell, Allan William	23 Looker-road, Montmorency ..	M.	E.	(2)	26.10.60
15287	F.	Pratt, Glenda	314 Wendouree-parade, Ballarat ..	L.I.	E.	(2)	20.7.60
15226	M.	Prajdic, Miro	109 Park-street, Moonee Ponds ..	M.	E.	(2)	22.6.60
15038	M.	Prelac, Josip	19 Maxwell-avenue, West Newport ..	M.	E.	(2)	16.3.60
14935	M.	Presutto, Edoardo	123 Green-street, Richmond ..	M.	E.	(2)	17.2.60
14936	F.	Puccio, Mary	8 Ivy-street, Brunswick	L.I.	E.	(2)	17.2.60
15377	F.	Pyne, Lesley	Seymour-crescent, Apollo Bay ..	L.I.	P.	(2)	28.9.60
15106	F.	Quinton, Pauline	24 St. Vincents-place, Albert Park	L.I.	E.	(2)	27.4.60
14937	F.	Radaic, Ivonka	10 The Avenue, Balaclava ..	L.I.	E.	(2)	17.2.60
15324	F.	Radford, Joan Valerie	23 Bent-street, Bentleigh ..	L.I.	E.	(2)	17.8.60
15107	F.	Rahm, Eva Lisa	15 Waverley-street, Richmond ..	L.I.	E.	(2)	16.3.60
15108	F.	Raine, Carolyn Anne	78 Athelstan-road, Camberwell ..	L.I.	E.	(2)	27.4.60
15039	F.	Ransom, Helen	93 Sandringham-road, Sandringham	L.I.	E.	(2)	16.3.60
15170	F.	Rauch, Joan Sophie	22 Wellington-street, St. Kilda ..	L.I.	P.	(2)	25.5.60
15004	M.	Rauss, Henry	Gembrook-road, Cockatoo ..	M.	E.	(2)	16.3.60
15502	F.	Regan, Mary Jean	15 Cliff-street, West Brunswick ..	L.I.	E.	(2)	7.12.60
15109	F.	Reicheneder, Helga	17 Allen-street, East Hawthorn ..	L.I.	E.	(2)	27.4.60
15288	M.	Reid, John	84 Harold-street, Middle Park ..	M.	E.	(1)	20.7.60
15005	M.	Reivers, Henricus Peter	Maribyrnong Hostel	M.	E.	(2)	16.3.60
15439	M.	Revill, David Lindsay	52 Fulton-street, Clayton ..	M.	E.	(1)	26.10.60
15511	F.	Reynolds, Norma	1 Chapel-street, Moorabbin ..	L.I.	P.	(2)	7.12.60
15231	F.	Ribbons, Pamela	301A Glen Eira-road, Caulfield ..	L.I.	E.	(2)	22.6.60
15378	F.	Ridge, Shirley Elizabeth	100 Glencairn-avenue, East Brighton	L.I.	E.	(2)	28.9.60
15006	M.	Rinaldi, Pasquale	478 Lygon-street, Carlton ..	L.I.	E.	(2)	16.3.60
15379	F.	Roberts, Margaret Billee	1 Hamel-street, Box Hill ..	L.I.	E.	(2)	28.9.60
15044	M.	Roberts, William Francis	280 Merri-street, Warrnambool ..	M.	P.	(1)	17.2.60
15289	F.	Robertson, Christine	244 Rossiter-road, Koo-wee-rup ..	L.I.	E.	(2)	20.7.60
14965	F.	Robertson, Madge Valerie	3 Godfrey-court, Surrey Hills ..	L.I.	E.	(1)	17.2.60
14938	F.	Rodgers, Jean	20 Osborne-street, Traralgon ..	L.I.	E.	(2)	17.2.60
15110	F.	Roe, Cynthia	29 Irymple-avenue, Kew ..	L.I.	E.	(2)	27.4.60
15503	M.	Rosace, Giovanni	5 Winchester-street, Moonee Ponds	M.	E.	(2)	7.12.60
15111	F.	Ross, Joan	Natte Yallock	L.I.	E.	(2)	27.4.60
15380	M.	Rowan, Tom	7 Reservoir-street, North Carlton ..	L.I.	E.	(2)	28.9.60
15040	F.	Rowe, Barbara May	55 Box Hill-crescent, Box Hill ..	L.I.	E.	(2)	16.3.60
14939	F.	Rowe, Sandra Joy	10 Hill-street, Bendigo	L.I.	E.	(2)	17.2.60
15042	M.	Rowlands, George	65 Hawthorn-street, West Coburg ..	M.	E.	(1)	16.3.60
15171	F.	Ruddock, Coral Jean	231 Westgarth-street, Northcote ..	L.I.	E.	(2)	25.5.60
15394	M.	Ruffin, Kent Joseph	47 Kensington-road, South Yarra ..	L.I.	E.	(1)	28.9.60
15227	M.	Ruinato, Salvatore	4 Clarendon-parade, West Footscray	M.	E.	(2)	22.6.60
15381	M.	Runow, Johanne	30 Garnet-street, North Sunshine ..	L.I.	E.	(2)	28.9.60
15112	F.	Russell, Marion Elizabeth	8 Hart-street, Colac	L.I.	E.	(2)	27.4.60
15290	F.	Ryan, Janice Anne	74 Neville-street, Carnegie ..	L.I.	E.	(2)	20.7.60
14940	F.	Ryan, Lorraine Ann	6 Thackery-road, Reservoir ..	L.I.	E.	(2)	17.2.60
15007	F.	Rywyk, Alice	Maffra-road, Sale	L.I.	P.	(2)	16.3.60
15382	M.	Salfi, Filippo	9 Robertson-street, East Preston ..	M.	E.	(2)	28.9.60
15228	M.	Salvatore, Marino	44 Leonard-avenue, Noble Park ..	M.	E.	(2)	22.6.60
15477	M.	Santalucia, Sebastiano	480 William-street, West Melbourne	M.	E.	(2)	7.12.60
15232	M.	Santisi, Antonia	259 Canning-street, North Carlton ..	M.	E.	(2)	22.6.60
14941	F.	Saunders, Maureen	9 Heather-street, East Bentleigh ..	L.I.	E.	(2)	17.2.60
15008	F.	Savopoulou, Peresfoni	53 Studley-street, Abbotsford ..	L.I.	P.	(2)	16.3.60
15383	F.	Shaglia, Rosa	45 Chapman-street, Sunshine ..	L.I.	E.	(2)	28.9.60
14942	F.	Scales, Norma Christina	Upper Flynn's Creek	L.I.	E.	(2)	17.2.60
15478	M.	Scapin, Gino	Merrigum	M.	P.	(2)	7.12.60
15009	M.	Scardovi, Alessandro	101 Station-street, Carlton ..	L.I.	P.	(2)	16.3.60
15384	F.	Schopp, Marianne	1 Sydney-street, Morwell ..	L.I.	P.	(2)	28.9.60
14944	F.	Scott, Bernadette	616 First-street, Wyalah, Tasmania	L.I.	E.	(2)	17.2.60
15010	F.	Scott, Glenys	38 Thomson-street, Northcote ..	L.I.	P.	(2)	16.3.60
15119	F.	Scrivenger, Adrienne	1A Edward-street, Essendon ..	L.I.	E.	(2)	16.3.60
14943	M.	Schepis, Nicola	15 Gurner-street, St. Kilda ..	M.	E.	(2)	17.2.60
15172	F.	Schmid, Rene	1379 Malvern-road, Malvern ..	L.I.	E.	(2)	22.6.60
15043	F.	Schuch, Marea Dorothy	48 Barkers-road, Hawthorn ..	L.I.	P.	(2)	16.3.60
15334	F.	Schurer, Jeanette Dorothy	22 Forester-street, Essendon ..	L.I.	P.	(2)	20.7.60
15255	F.	Schwab, Helga	73 Regent-street, Shepparton ..	L.I.	P.	(2)	22.6.60
15291	M.	Seawright, Rodney Arthur	83 Best-street, North Fitzroy ..	L.I.	E.	(2)	20.7.60
15385	F.	Seeto, Mary	18 Verdun-street, Maidstone ..	L.I.	E.	(2)	28.9.60
15114	F.	Sharp, Lee June	24 Myamyn-street, Sunshine ..	L.I.	E.	(2)	16.3.60

ADDITIONAL LIST OF HAIRDRESSERS REGISTERED UNDER THE PROVISIONS OF THE ACT (No. 6267)—continued.

No. of Registration.	Male—M, or Female—F.	Name.	Address.	Classes in Respect of which Registered, Men's—M., Ladies' Inclusive—L.I., Ladies' Limited—L.L.	Principal—P, Teacher—T, Employee—E.	Whether Qualified under Sub-section (1) or (2) of Section 8.	Date of Registration.
15108	F.	Shatford, Valarie Joan	25 Glassford-street, Armadale	L.I.	P.	(2)	28.9.60
14945	F.	Shaw, Judith Ann	16 Joyce-street, Elwood	L.I.	E.	(2)	17.2.60
15115	F.	Shears, Lorraine Mary	27 Yorkshire-street, Richmond	L.I.	E.	(2)	27.4.60
15387	F.	Shea, Monica	Darley-road, Bacchus Marsh	L.I.	P.	(2)	28.9.60
15479	F.	Sherry, Elaine	252 Pascoe Vale-road, Essendon	L.I.	E.	(2)	7.12.60
15469	F.	Shutt, Carol Anne	Brooklyn Hostel, Draytonville	L.I.	E.	(2)	23.11.60
15504	M.	Siccoli, Giuseppe	10 The Avenue, Drumcondra	M.	E.	(2)	7.12.60
15252	F.	Skerr, Caterina	75 Harding-street, East Coburg	L.I.	E.	(2)	22.6.60
15229	F.	Skiba, Irene	95 Barkly-street, West Brunswick	L.I.	E.	(2)	22.6.60
15335	F.	Skoczen, Anna	35 Longmore-street, St. Kilda	L.I.	P.	(2)	17.8.60
15388	F.	Slater, Carmel	Corack East, via Donald	L.I.	E.	(2)	28.9.60
15173	F.	Slaviero, Diana	9 Harlington-street, Clayton	L.I.	E.	(2)	25.5.60
15174	F.	Smith, Janice	67 Altona-street, West Heidelberg	L.I.	E.	(2)	25.5.60
15233	F.	Smith, Pamela	787 Nicholson-street, North Carlton	L.I.	E.	(2)	22.6.60
14946	M.	Smith, Peter Alfred	6 McGlone-street, Mitcham	M.	E.	(2)	16.3.60
15392	F.	Smith, Robyn Alvis	10 Raymond-court, Moorabbin	L.I.	P.	(2)	28.9.60
15011	F.	Smith, Shirley Jane	25 Raymond-street, West Preston	L.I.	E.	(2)	16.3.60
15012	F.	Smith, Venita Therese	1 Dandenong-road, Oakleigh	L.I.	E.	(2)	16.3.60
14947	F.	Smith-Moir, Lynette Jean	38 Sydenham-avenue, West Geelong	L.I.	E.	(2)	17.2.60
15254	F.	Soanes, Janet Elizabeth	Bairnsdale	L.I.	P.	(2)	22.6.60
15389	F.	Sotiropoulou, Mary	1 Victoria-crescent, Brunswick	L.I.	E.	(2)	28.9.60
15296	F.	Souter, Yvonne Jenny	38 Alder-street, South Caulfield	L.I.	E.	(2)	20.7.60
15461	F.	Spence, Elizabeth L.	18 Byron-street, Canterbury	L.I.	E.	(2)	23.11.60
15175	F.	Spence, Gail	14 Salisbury-street, Werribee	L.I.	E.	(2)	25.5.60
15234	F.	Speratto, Loretto	Peel-street, North Melbourne	L.I.	E.	(2)	22.6.60
15251	F.	Spillman, Marlene	32 Sturdee-street, Reservoir	L.I.	E.	(2)	22.6.60
15390	M.	Stamopoulos, Peter	6 Cash-street, Coburg	M.	E.	(2)	28.9.60
15240	F.	Starow, Rosemarie	34 Rich-avenue, Noble Park	L.I.	E.	(2)	22.6.60
15306	M.	Steel, Leonard	443 Middleborough-road, Box Hill	L.I.	P.	(2)	20.7.60
15391	F.	Stoela, Eileen Nellie	24 Lydia-street, Brunswick	L.I.	P.	(2)	28.9.60
14949	F.	Stella, Irone	136 Station-street, Carlton	L.I.	P.	(2)	17.2.60
15480	M.	Steffinlongo, Elio	18 Westbourne-place, Chilwell	M.	E.	(2)	7.12.60
15292	F.	Stephens, Betty	Jindivick-road, South Neerim	L.I.	E.	(2)	20.7.60
15116	F.	Stephenson, Lynette	48 Lindsay-street, McKinnon	L.I.	E.	(2)	27.4.60
15336	F.	Sterling, Glenise Joy	45 Sixth-street, Parkdale	L.I.	E.	(2)	17.8.60
15117	F.	Stewart, Beverley	The Ranch, Fulham	L.I.	E.	(2)	27.4.60
15118	F.	Stewart, Helene Sylvia	Flat 12, Union-road, Ascot Vale	L.I.	E.	(2)	27.4.60
15119	F.	Stratton, Kathryn Ellen	40 Nicholson-street, Nunawading	L.I.	E.	(2)	27.4.60
15029	F.	Stringer, Jennifer Anne	305 Carlisle-street, East St. Kilda	L.I.	E.	(1)	16.3.60
15120	F.	Sunderland, Gail Doreen	4 Milton-street, Bentleigh	L.I.	P.	(2)	27.4.60
15393	F.	Swan, Joan Rosevear	76 Deakin-street, East Bentleigh	L.I.	E.	(2)	28.9.60
15013	F.	Sykes, Pamela	21 Hawson-avenue, Glenhuntly	L.I.	E.	(2)	16.3.60
15014	F.	Symes, Elaine Margaret	248 Patterson-road, Moorabbin	L.I.	E.	(2)	16.3.60
15442	M.	Tabacco, Enzo	870 Drummond-street, North Carlton	L.I.	F.	(2)	26.10.60
15176	F.	Tammer, Maureen	276 Hawthorn-road, Caulfield	L.I.	E.	(2)	25.5.60
15422	F.	Tardic, Maria Ann	37 Elgin-street, Carlton	L.I.	E.	(2)	28.9.60
15177	F.	Taylor, Margot Constance	11A Summerhill-road, East Brighton	L.I.	F.	(2)	25.5.60
15235	F.	Teeves, Elizabeth	28 Wattle-road, Hawthorn	L.I.	E.	(2)	25.5.60
15015	M.	Tenace, Antonio	31 Sheffield-street, Coburg	M.	E.	(2)	18.3.60
15293	F.	Tennant, Ann Elizabeth	40 Fitzroy-street, East Geelong	L.I.	E.	(2)	20.7.60
15140	M.	Terzini, Arnalda	23 The Crofts, Richmond	L.I.	E.	(2)	27.4.60
15308	M.	Thomas, Ian Robert	7 The Avenue, Oakleigh	L.I.	E.	(2)	20.7.60
15122	F.	Thompson, Valerie Lucille	11 Alison-street, Elsternwick	L.I.	E.	(2)	27.4.60
15448	F.	Thomson, Valerie June	92 Ilex-street, Red Cliffs	L.I.	E.	(2)	26.10.60
15337	M.	Tietjen, Frauke	386 Harmon-avenue, St. Albans	L.I.	E.	(2)	17.8.60
14948	M.	Tigani, Domenico	432 Barkly-street, St. Kilda	M.	E.	(2)	17.2.60
15297	M.	Titter, Leeton	82 Victoria-street, Williamstown	L.I.	E.	(2)	20.7.60
15016	M.	Tobias, Gershon	116 Barkly-street, St. Kilda	M.	E.	(2)	16.3.60
15505	F.	Todd, Janet	30 Panoramic-grove, Glen Waverley	L.I.	E.	(2)	7.12.60
15236	M.	Torosidis, Stravos	23 Whitty-street, West Brunswick	L.I.	E.	(2)	22.6.60
15338	M.	Toth, Antal	Bonegilla, via Wodonga	M.	P.	(1)	17.8.60
15237	F.	Townley, Lesley Joy	3 Champion-street, Black Rock	L.I.	E.	(2)	22.6.60
15017	F.	Trenker, Dianne Margaret	Main-street, Lilydale	L.I.	E.	(2)	16.3.60
15395	M.	Tribel, Frederick	Flat 3, 4 Hammerdale-avenue, St. Kilda East	L.I.	E.	(2)	28.9.60
15423	F.	Trigg, Heather	1 Grey-street, South Caulfield	L.I.	E.	(2)	28.9.60
15294	M.	Truscott, Arthur Rudolph	146 Mt. Kerong-road, California Gully	M.	E.	(2)	20.8.60
14951	F.	Trushell, Brenda	184 Auburn-road, Auburn	L.I.	E.	(2)	17.2.60
15238	F.	Tsiadira, Koula	93 Keele-street, Collingwood	L.I.	P.	(2)	22.6.60
15295	M.	Tsiatsias, Basilios	8 Hutton-street, Thornbury	M.	E.	(2)	20.8.60
15298	M.	Turnley, Brian	28 Finsbury-way, Camberwell	L.I.	E.	(2)	20.8.60
15396	F.	Tyrrell, Hazel Ella	4 Montrose-avenue, Elsternwick	L.I.	E.	(2)	28.9.60
15481	F.	Vale, Olive Evelyn	Broadway-street, Cobram	L.I.	E.	(2)	7.12.60
15124	F.	Valentine, Judith Anne	2 Duncan-avenue, Frankston	L.I.	E.	(2)	27.4.60
15462	F.	Vanderhorst, Jeanette J.	Sheffield-road, Montrose	L.I.	P.	(2)	23.11.60
14952	F.	Van Der Meulen, Minke	Pike-road, Tyabb	L.I.	E.	(2)	17.2.60
14950	F.	Van Der Wolde, Jantje T.	40 Fairfield-avenue, Camberwell	L.I.	E.	(2)	17.2.60
15123	F.	Van Muller, Elizabeth	29 Alice-street, Clayton	L.I.	E.	(2)	27.4.60
15018	M.	Vangos, Vasilios	140A Johnston-street, Collingwood	M.	E.	(2)	16.3.60
15297	M.	Varsamidis, Dimitrios	58 Gamon-street, Footscray	M.	E.	(2)	28.9.60

ADDITIONAL LIST OF HAIRDRESSERS REGISTERED UNDER THE PROVISIONS OF THE ACT (No. 6267)—continued.

No. of Registration.	Male— M. or Female— F.	Name.	Address.	Classes in Respect of which Registered, Men—M., Ladies—L.I., Ladies Limited—L.L.	Principal— F. Teacher— T. Employee— E.	Whether Qualified under Sub-section (1) or (2) of Section 8.	Date of Registration.
15125	F.	Vasiliadov, Sofia	James-street, Fitzroy	L.I.	E.	(2)	27.4.60
14953	M.	Vassiliou, Joseph	13 Evelina-road, Toorak	M.	E.	(2)	17.2.60
15497	F.	Vautin, Lorraine	4 Kinkora-road, Reservoir	L.I.	E.	(2)	7.12.60
15126	M.	Vecchi, Antonio	75 Gladstone-avenue, Northcote	M.	E.	(2)	27.4.60
15424	F.	Velkov, Anna	Charles-street, St. Albans	L.I.	E.	(2)	28.9.60
15398	F.	Venuto, Natale	10 Ferguson-street, Ascot Vale	M.	E.	(2)	28.9.60
15019	M.	Videl, Emanuel	57 Christie-street, Deer Park	M.	E.	(2)	13.4.60
14954	F.	Visser, Irene Wilhelmina	75 Ambrie-crescent, Noble Park	L.I.	P.	(2)	17.2.60
15509	M.	Vita, Giuseppe	5 Cliff-street, East Brunswick	M.	E.	(2)	7.12.60
15239	M.	Vito, Agosta	26 Cater-avenue, Werribee	M.	E.	(2)	22.6.60
15425	F.	Voce, Josephine	14 Walsgott-street, North Geelong	L.I.	E.	(2)	28.9.60
14970	F.	Vogl, Anna	40 Dalgety-street, St. Kilda	L.I.	E.	(2)	17.2.60
15482	F.	Voss, Diana Rosemary	74 Heatherdale-road, Heatherdale	L.I.	E.	(2)	7.12.60
15240	F.	Voyadjoglou, Niki	25 Morgan-street, Glenhuntly	L.I.	E.	(2)	22.6.60
15040	M.	Wagner, Folkert Jan	34 Rich-avenue, Noble Park	L.L.	E.	(2)	16.3.60
15344	M.	Walcher, Eric Walter	Melbourne-road, Mulwala	M.	P.	(1)	22.6.60
15178	F.	Walker, Wendy D.	65 Tudor-street, South Oakleigh	L.I.	P.	(2)	27.4.60
14955	F.	Wallace, Joan Margaret	8 Narnbool-street, Manifold Heights	L.I.	E.	(2)	17.2.60
15241	F.	Walsh, Kerin V.	2 South-street, Footscray	L.I.	E.	(2)	22.6.60
15470	F.	Waluka, Rosemarie	440 Park-street, South Melbourne	L.I.	E.	(2)	26.10.60
14956	F.	Warby, Althea Constance	139 Lower Heidelberg-road, Ivanhoe	L.I.	E.	(2)	17.2.60
14957	F.	Ward, Lorraine	Main-road, Silvan	L.I.	E.	(2)	17.2.60
15299	F.	Ware, Lola Frances	741 Plenty-road, East Preston	L.I.	P.	(2)	20.6.60
15127	F.	Watson, Annette Josephine	56 Charles-street, Kew	L.I.	E.	(2)	16.3.60
15443	F.	Westwood, Marilyn Louise	38 Oakhill-avenue, Reservoir	L.I.	E.	(2)	26.10.60
15128	F.	Watson, Margaret	A.N.Z. Bank, Loch	L.I.	E.	(2)	27.4.60
15483	F.	Watson, Margaret Joan	16 Green-parade, Sandringham	L.I.	E.	(2)	7.12.60
15020	F.	Watson, Meryl Agnes	13 Acacia-avenue, Blackburn	L.I.	E.	(2)	16.3.60
15129	F.	Waugh, Joy Marie	18 Wave-street, Elwood	L.I.	E.	(2)	27.4.60
14958	F.	Way, Maureen Elizabeth	82 Dover-street, Flemington	L.I.	E.	(2)	17.2.60
15141	F.	Welch, Julie	11 May-street, Aberfeldie	L.I.	E.	(2)	27.4.60
15307	F.	Welsh, Fay	Sydenham, Victoria	L.I.	E.	(2)	20.7.60
15189	F.	West, Heather	33 Omar-street, Maidstone	L.I.	E.	(2)	25.5.60
15021	F.	Wheeler, Pearl Agnes Rose	65 Maud-street, Geelong	L.I.	P.	(2)	16.3.60
14959	F.	White, Margaret Ellen	Smyth's Creek, via Ballarat	L.I.	E.	(2)	17.2.60
15399	F.	Whitney, Ann Helen	30 Northumberland-road, Sunshine	L.I.	P.	(2)	28.9.60
15022	F.	Wierzbicka, Alicia	1A Bluff-avenue, Elwood	L.I.	E.	(2)	16.3.60
15130	F.	Wilcox, Helen	78 Moore-street, Fitzroy	L.I.	E.	(2)	27.4.60
15132	F.	Wilkinson, Robyn	154 New-street, Brighton	L.I.	E.	(2)	27.4.60
15179	F.	Wilson, Barbara	12 Susan-street, Sandringham	L.I.	E.	(2)	25.5.60
15463	F.	Wilson, Dorothy Adelaide	8 Brooklyn Hostel, Draytonville	L.I.	E.	(2)	23.11.60
15131	F.	Wilson, Judith	Glenormiston South	L.I.	E.	(2)	27.4.60
15300	F.	Wilson, Pamela	14 Tottenham-road, Brooklyn	L.I.	E.	(2)	20.7.60
15447	F.	Winterton, Loris	36 Malcolm-street, Blackburn	L.I.	E.	(2)	26.10.60
15253	F.	Wiseman, Marcia Annette	10 Bowen-street, Oakleigh	L.I.	E.	(2)	22.6.60
14960	M.	Winfield, Robert	41 McArthur-street, Moorabbin	L.I.	E.	(2)	17.2.60
15023	M.	Wink, Frans Jozef	9 Austin-avenue, Moe	L.I.	E.	(2)	16.3.60
15242	M.	Winkens, Andreas	11 Montclair-avenue, North Brighton	L.I.	E.	(2)	22.6.60
15133	F.	Winslett, Joyce	367 Keilor-road, Essendon	L.I.	E.	(2)	27.4.60
15024	M.	Wittmann, Victor	42 Lester-avenue, St. Albans	L.I.	P.	(2)	16.3.60
15426	F.	Wohlfahrt, Anneliese	25 Patterson-road, Moorabbin	L.I.	E.	(2)	28.9.60
15025	F.	Woodhams, Glenys Eira	9 Glen Eira-road, Ripponlea	L.I.	E.	(2)	16.3.60
15325	F.	Worley, Marlene	William-street, Lorne	L.I.	E.	(2)	17.8.60
15484	F.	Wurth, Sonia	Barina-crescent, Croydon	L.I.	E.	(2)	7.12.60
15243	M.	Xedaropoulos, George	208 Barkly-avenue, Burnley	M.	E.	(2)	22.6.60
15402	F.	Yates, Loma Barbara	3 Lawrence-street, West Footscray	L.I.	E.	(1)	28.9.60
15440	F.	Yates, Pamela Myrtle	5 Church-street, Middle Brighton	L.I.	E.	(2)	26.10.60
14961	M.	Yiannoulidis, Theodoros	20 Cromwell-street, Collingwood	M.	P.	(2)	17.2.60
15485	F.	Youens, Joan Helen	287 Nicholson-street, Footscray	L.I.	E.	(2)	7.12.60
15506	F.	Zimprich, Erika	Maribyngong Hostel, Maribyngong	L.I.	E.	(2)	7.12.60
15309	F.	Zoller, Olga	26 Rubens-grove, Canterbury	L.I.	E.	(2)	20.7.60

LIST OF HAIRDRESSERS WHO HAVE CHANGED THEIR STATUS.

Certificate No.	Name.	Address.	Nature of Change.	Date.
12624	Adam, Anton	303 Napier-street, Strathmore	Principal from Employee	22.6.60
12175	Adamidis, Haralampos	189 Lonsdale-street, Melbourne	Principal from Employee	19.1.60
10694	Affleck, Roma	75A Tucker-road, Moorabbin	Principal from Employee	9.2.60
13269	Agliniskas, Danute	Wells-street, Frankston	Employee from Principal	4.3.60
14821	Ahmastos, Haralampos	Commercial-road, Morwell	Principal from Employee	10.10.60
14854	Alack, Dulcie Muriel	203 Glenferrie-road, Malvern	Principal from Employee	15.3.60

LIST OF HAIRDRESSERS WHO HAVE CHANGED THEIR STATUS—continued.

Certificate No.	Name.	Address.	Nature of Change.	Date.
14355	Alfris, Elaine Helen	162 High-street, Ashburton	Principal from Employee	14.10.60
13633	Allan, George Thomas	101 Commercial-street, Korrumburra	Principal from Employee	16.2.60
14035	Allan, Rosemary	374 Myers-street, East Geelong	Employee from Principal	5.2.60
9357	Anderson, Roy	40A Deakin-avenue, Mildura	Nominated Principal from Employee	21.1.60
11723	Andrewartha, Barbara	203 Queen-street, Melbourne	Principal from Employee	20.10.60
8512	Andrewartha, Kathleen	11 Marine-parade, St. Kilda	Principal from Employee	24.3.60
6997	Angwin, Thomas Richard	32 Bennett-parade, East Kew	Employee from Principal	29.11.60
13574	Apokia, Effe	45 Thomas-street, Dandenong	Principal from Employee	17.12.60
12221	Arnocida, Vincenzo	235 Swan-street, Richmond	Principal from Employee	9.5.60
14356	Armstrong, Margaret	84 Hawthorn-road, Caulfield	Nominated Principal from Employee	24.3.60
15046	Arvia, Elizabeth Eve	15A Brighton-road, St. Kilda	Nominated Principal from Employee	23.8.60
1241	Auger, Charles	20 Percy-street, Glenferrie	Employee from Principal	28.1.60
12049	Augustini, Olive Joyce	10 Langtree-court, Blackburn	Employee from Principal	14.4.60
14358	Austin, Mary	68 Ramsay-street, Rochester	Employee from Principal	14.10.60
14302	Baggio, Santana	670 Sydney-road, Brunswick	Principal from Employee	24.3.60
12289	Barkas, Nada Louise	c/o State School, Nhill	Employee from Principal	5.4.60
14647	Barnes, Barbara May	55 Toorak-road, Hawthorn	Employee from Nominated Principal	16.6.60
13457	Barrow, Pauline Ann	5 Pearson-street, Williamstown	Principal from Employee	26.4.60
8565	Bates, Diana Betty	Hampshire-road, Sunshine	Principal from Employee	21.3.60
8565	Bates, Diana Betty	94 Hampshire-road, Sunshine	Nominated Principal from Employee	23.5.60
8904	Batten, Edward	Punt-road, Sale	Employee from Principal	26.2.60
12021	Baxter, Glenyce	26 Park-street, Tatura	Employee from Principal	24.2.60
13952	Beattie, Lorraine Margaret	14 Howe-street, Daylesford	Principal from Employee	15.3.60
7410	Belcher, Janet	40 Ormond-road, East Geelong	Employee from Principal	13.1.60
12176	Bellini, Santino	29 Leeds-street, Footscray	Principal from Employee	4.11.60
13593	Benditz, Thea	12 Church-street, Middle Brighton	Principal from Employee	4.3.60
10327	Bentley, Pamela Joy	10 Finlayson-street, Forest Hill	Principal from Employee	14.10.60
14700	Bergami, Marta	13 Sun-crescent, Sunshine	Principal from Employee	7.9.60
15049	Berger, Margaret	61 Bruce-street, Inverloch	Principal from Employee	4.11.60
13459	Bernat, Eva	55 Hotham-street, St. Kilda	Principal from Employee	14.10.60
12254	Bertus, Tom	9 Merlyn-street, Merlynston	Principal from Employee	9.5.60
1105	Best, Myra Kathleen	601 St. Kilda-road, Melbourne	Employee from Principal	16.2.60
8067	Bevan, Harolda	128 Burwood-road, Hawthorn	Principal from Employee	21.1.60
12448	Biantes, Aristotells	350 Flinders-street, Melbourne	Principal from Employee	20.11.60
14546	Billson, Brenda	121 Were-street, Brighton	Principal from Employee	19.1.60
13556	Bishop, Marcia Lorraine	48 Melville-road, West Brunswick	Principal from Employee	14.4.60
14642	Boddington, Patricia Mary	307A Buckley-street, Essendon	Principal from Employee	3.5.60
13399	Boschen, Lorraine	317 Collins-street, Melbourne	Principal from Employee	13.7.60
114	Bohmer, Kenneth Enticknap	1 Odessa-street, St. Kilda	Employee from Nominated Principal	17.12.59
7170	Botica, Lorraine	84 Railway-place, Williamstown	Employee from Principal	14.10.60
15259	Botton, Joyce Thelma	"Centreway", Yallourn	Principal from Employee	14.10.60
14778	Bray, Dorothy Winifred	32 Bruce-street, Dandenong	Employee from Principal	8.11.60
13482	Brown, Janice	Neapan Highway, Mornington	Employee from Principal	16.5.60
14681	Broekman, Carla	174 Sparks-road, Norlane, Geelong	Principal from Employee	2.2.60
12509	Bronsgeest, Johanna	116 McKinnon-road, McKinnon	Principal from Employee	7.9.60
14408	Brown, Shirley Aileen	14 Cricklewood-avenue, Frankston	Principal from Employee	22.11.60
11557	Browne, Janette	15 Station-street, Oakleigh	Principal from Employee	17.12.59
4263	Bruce, Ernest	149 The Avenue, East Coburg	Employee from Principal	24.3.60
15054	Buccella, Diana	Lot 5, Blackburn-road, Tally Ho	Principal from Employee	16.5.60
3066	Bugg, Gertrude	20 Shirley-grove, East St. Kilda	Employee from Principal	19.1.60
11322	Bugiada, Angelo	91 Kent-street, Pascoe Vale	Principal from Nominated Principal	3.5.60
6347	Burgoyne, Frank Lloyd	45 Mernda-avenue, Carrum	Employee from Principal	4.5.60
4821	Buttenshaw, Joy Cameron	49 Scott-street, Beaumaris	Principal from Employee	4.5.60
5813	Byrne, Arthur	2 Stawell-street, West Melbourne	Principal from Employee	9.2.60
4511	Cameron, Donald	17 Richardson-street, Brunswick	Employee from Principal	8.1.60
2131	Canavan, Daniel	28 Johnston-street, Croxton	Employee from Principal	24.2.60
15056	Carpinelli, Nancy	5 Kildare-street, East Hawthorn	Nominated Principal from Employee	29.11.60
12674	Carr, William John	146 Ormond-road, Geelong	Principal from Nominated Principal	15.3.60
12132	Carrick, James Allan	234 Thomas-street, Airport West	Principal from Employee	4.5.60
12132	Carrick, James Allan	42 Parer-road, Airport West	Employee from Principal	20.10.60
13235	Carter, Janice	Box 2, Daylesford	Employee from Teacher	31.5.60
7418	Cartwright, Rae Francis	400 Kilby-road, Kew	Principal from Employee	16.2.60
15314	Case, Faye Lorraine	591 Station-street, Box Hill	Nominated Principal from Employee	18.8.60
14645	Cassidy, Janette	35 Church-street, West Geelong	Principal from Employee	17.1.60
14683	Cattanach, Rachel	27 Birmingham-street, Yarraville	Nominated Principal from Employee	14.10.60
14138	Chapman, Margaret	Railway-crescent, Mt. Evelyn	Principal from Employee	24.2.60
2363	Charlton, Christina Anne	274 Waverley-road, East Malvern	Nominated Principal from Employee	1.8.60
13785	Chesterfield, Nola M.	104 Charles-street, Footscray	Nominated Principal from Employee	1.8.60
12898	Ciorciari, Arnaldo	87 Cardigan-street, Carlton	Principal from Employee	4.3.60
13275	Clark, Lynette	317 Hawthorn-road, Caulfield	Principal from Employee	17.12.59
10177	Clark, Elizabeth	138 Canterbury-road, Canterbury	Employee from Principal	28.1.60
13839	Cleary, Valda	110 Wilma-avenue, Springvale	Principal from Employee	14.4.60
15059	Clelland, Beverley	248 Graham-street, Port Melbourne	Principal from Employee	4.11.60
3432	Clegg, Paul	7 Kendall-street, Ringwood	Employee from Principal	17.12.60
11584	Clements, Betty Wini red	29 Ryan-street, East Brunswick	Employee from Principal	8.11.60
14361	Cobbin, Margaret Millicent	5 Sussex-street, Moonee Ponds	Employee from Principal	8.11.60
8689	Clogan, Joan	c/o Post Office, Kyabram	Nominated Principal from Employee	27.1.60
10468	Coates, Margery Florence	10 Daours-court, Watsonia	Employee from Nominated Principal	5.5.60
12589	Cocks, Maree Aileen	5 McKinnin-street, Terang	Principal from Employee	25.11.60
12899	Cociani, Marino	238 Union-road, Ascot Vale	Principal from Employee	22.12.60
12899	Cociani, Marino	33 Wilkins-street, Yarraville	Employee from Principal	23.8.60
14727	Cole, Kenneth Horace	97 Warren-road, Mordialloc	Principal from Employee	3.5.60
12992	Condello, Gregio	24 Charles-street, Footscray	Principal from Employee	14.10.60

LIST OF HAIRDRESSERS WHO HAVE CHANGED THEIR STATUS—continued.

Certificate No.	Name.	Address.	Nature of Change.	Date.
14671	Connolly, Gail Patricia ..	148 Commercial-road, Prahran ..	Principal from Employee ..	14.10.60
14577	Courtenya, Irene Norma ..	111 Orrong-road, Elsternwick ..	Principal from Employee ..	14.10.60
2550	Conroy, Marie Agnes ..	1074 Burke-road, North Balwyn ..	Employee from Nominated Principal ..	14.4.60
7652	Connors, John Francis ..	9 Zenith-street, Pascoe Vale ..	Employee from Principal ..	23.8.60
8995	Coussins, Henry ..	1 Finlayson-street, Forest Hill ..	Employee from Principal ..	22.1.60
8456	Cram, Harry John ..	228 Main-street, St. Albans ..	Principal from Employee ..	23.5.60
5025	Cremin, David Lawrence ..	23 Ian-street, Noble Park ..	Principal from Employee ..	3.5.60
12954	Cresall, Eileen ..	163 Nicholson-street, East Coburg ..	Employee from Principal ..	27.6.60
1663	Crooks, George ..	9 Meadow-street, East St. Kilda ..	Employee from Principal ..	18.1.60
3574	Crossley, Jack ..	Deakin-avenue, Mildura ..	Principal from Employee ..	28.1.60
13542	Cudmore, Moya Grace ..	174 Heidelberg-road, Ivanhoe ..	Principal from Nominated Principal ..	15.8.60
14363	Culin, Jelena ..	151 Montague-street, South Melbourne ..	Principal from Employee ..	9.2.60
11798	Cumming, Faye ..	48 Denver-street, East Bentleigh ..	Principal from Employee ..	2.2.60
8151	Cusworh, Bernice ..	36 Scott-street, Essendon ..	Employee from Principal ..	23.2.60
14184	Dalrymple, Isabel Mary ..	16 Love-street, Blackburn ..	Principal from Employee ..	25.7.60
2524	Dalton, Alfred William ..	9 Smith-street, South Melbourne ..	Employee from Principal ..	14.10.60
12642	Daly, Maureen Claire ..	High-street, Avoca ..	Principal from Employee ..	25.11.60
12134	Daniell, William ..	516 Lygon-street, East Brunswick ..	Principal from Employee ..	23.5.60
12582	Davenport, Margaret ..	P.M.Q. Keswick Barracks, S.A. ..	Employee from Principal ..	8.11.60
4323	Davey, George Stanley ..	70 Chute-street, Mordialloc ..	Employee from Principal ..	29.3.60
9436	Davidson, Pamela Anne ..	Melva-road, East Bentleigh ..	Principal from Employee ..	16.2.60
12462	Davis, Arthur ..	9 Lae-street, West Heidelberg ..	Employee from Principal ..	26.4.60
11440	Day, Loris ..	Forest Commission, East Warburton ..	Employee from Principal ..	16.6.60
11213	De-Felice, Thrento ..	46 Bridge-road, Richmond ..	Principal from Employee ..	14.4.60
7685	De-Giusti, Mary Frances ..	238 Hawthorn-road, Caulfield ..	Principal from Employee ..	4.5.60
12357	Delost, Enid ..	Hamilton-street, Colac ..	Employee from Principal ..	9.5.60
11578	Denny, Patricia ..	Lot 12, Banksia-court, Baywater ..	Principal from Employee ..	19.1.60
14043	Depetto, Mario ..	142 Pascoe Vale-road, Moonee Ponds ..	Principal from Employee ..	23.2.60
12463	De-Thomasis, Antonio ..	129 Lennox-street, North Richmond ..	Principal from Employee ..	3.5.60
10047	Dettmer, Gweneth Isabel ..	890 North-road, East Ormond ..	Principal from Employee ..	4.11.60
14839	Diamante, Anna ..	28 Johnston-street, Keon Park ..	Nominated Principal from Employee ..	19.1.60
10031	Diamond, Gwynneth ..	260 Swan-street, Richmond ..	Employee from Principal ..	27.7.60
12719	Digney, Terry Albert ..	Point Nepean-road, Rye ..	Principal from Employee ..	29.3.60
12319	Dillan, Gerhard ..	10 Nardoo-court, Oakleigh ..	Employee from Principal ..	9.2.60
12319	Dillan, Gerhard ..	10 Nardoo-court, Clayton ..	Nominated Principal from Employee ..	15.3.60
12319	Dillan, Gerhard ..	10 Nardoo-court, Clayton ..	Employee from Nominated Principal ..	14.7.60
12918	Di Pasquale, Angelina ..	103 Haines-street, North Melbourne ..	Principal from Employee ..	25.8.60
11117	Di Rienzo, Angelo ..	24 Goleen-street, North Coburg ..	Principal from Employee ..	27.5.60
13040	Di Stefano, Rosetta ..	160 McKinnon-road, McKinnon ..	Principal from Employee ..	27.6.60
8839	Dixon, John ..	2 Calvert-street, Colac ..	Principal from Employee ..	19.1.60
8292	Dixon, William ..	65 Comer-street, East Brighton ..	Employee from Principal ..	14.4.60
12721	Donne, Sydney ..	Flat 5, Avoca-court, Elwood ..	Nominated Principal from Employee ..	22.11.60
12721	Donne, Sydney ..	310 Flinders-street, Melbourne ..	Principal from Employee ..	20.10.60
11748	Donnett, James Ian ..	Boolaro-avenue, Newborough ..	Nominated Principal from Employee ..	10.10.60
14045	Donati, Dolvolo ..	2 Olsen-place, Broadmeadows ..	Principal from Employee ..	7.9.60
15068	Doria, Antoniette ..	405 Brunswick-street, Fitzroy ..	Principal from Employee ..	15.8.60
14886	Dorr, Arealena Joy ..	14 Burwood-road, Burwood ..	Principal from Employee ..	7.9.60
13787	Douglas, Lesley ..	769 High-street, East Kew ..	Nominated Principal from Employee ..	5.4.60
5967	Douglas, Noella ..	374 Hampton-street, Hampton ..	Principal from Employee ..	19.9.60
13205	Dow, Shirley ..	23 Mitchell-street, Bairnsdale ..	Employee from Principal ..	16.2.60
5331	Dowd, Nola Isabel ..	274 Waverley-road, East Malvern ..	Nominated Principal from Employee ..	18.8.60
13992	Dragonetti, Ezio ..	58 Gilbert-road, West Preston ..	Principal from Employee ..	5.4.60
2527	Drew, Jean Elsie ..	24 Ebden-street, Elsternwick ..	Employee from Principal ..	4.5.60
3896	Du-Be, Kathryn Grace ..	Martin-place, Glen Waverley Heights ..	Principal from Employee ..	23.5.60
8934	Duncan, Patricia Joan ..	17 Randell-street, Parkdale ..	Principal from Employee ..	8.11.60
10230	Dyson, Lois Olive ..	Pier-street, Dromana ..	Employee from Principal ..	9.2.60
14686	Easton, Dorothy ..	2 Springfield-avenue, Croydon ..	Nominated Principal from Employee ..	4.11.60
8639	Edwards, Gweneth ..	Pinnegar-street, Broadford ..	Principal from Employee ..	26.2.60
11868	Edwards, Henry Robert ..	79 Pier-street, Altona ..	Employee from Principal ..	27.6.60
10339	Edwards, Noel Allan ..	20 Pine-street, Surrey Hills ..	Employee from Principal ..	17.12.59
11678	Elliott, Phyllis Ruth ..	690 High-street, East Kew ..	Principal from Employee ..	14.10.60
15319	Elliott, Daye ..	Main-road, Belgrave ..	Principal from Employee ..	4.11.60
13204	Elliott, Helen Lorraine ..	6 Chelsea-road, Chelsea ..	Nominated Principal from Employee ..	14.4.60
1640	Ellis, Mona ..	15 Rooding-street, North Brighton ..	Nominated Principal from Employee ..	22.11.60
2621	Ely, Claude ..	Mooroolbark ..	Nominated Principal from Principal ..	4.11.50
8894	England, Valerie Joyce ..	37 Pynsent-street, Horsham ..	Principal from Employee ..	14.10.60
10340	Enright, Janette ..	1 Grey-street, St. Kilda ..	Principal from Employee ..	14.10.60
10340	Enright, Janette ..	33 Orange-grove, St. Kilda ..	Employee from Principal ..	14.7.60
7714	Evans, Francis Ronald ..	127 Severn-street, Yarraville ..	Employee from Principal ..	8.11.60
12994	Evans, Margaret Dawn ..	24 Heather-street, West Geelong ..	Principal from Employee ..	17.12.59
14475	Falie, Rachel ..	33 Peel-street, Windsor ..	Principal from Employee ..	20.10.60
14597	Falvo, Giovanni ..	834 Sydney-road, North Coburg ..	Principal from Employee ..	12.7.60
9730	Faravoni, Dulcia ..	30 Campbell-grove, East Hawthorn ..	Employee from Principal ..	22.1.60
9995	Farrugia, Paul ..	15 Creswick-street, Footscray ..	Principal from Employee ..	16.6.60
12783	Ferris, Lois Ann ..	26 Rooney-street, Maidstone ..	Principal from Employee ..	8.5.60
11802	Filippelli, Guiseppe ..	9 Sherwood-street, Richmond ..	Employee from Nominated Principal ..	25.11.60
989	Finn, Winifred May ..	22 East-avenue, Mt. Evelyn ..	Employee from Principal ..	22.2.60
11637	Fisher, June ..	239 Hawthorn-road, Caulfield ..	Principal from Employee ..	8.1.60
12155	Fitton, James Norman ..	36 Koornang-road, Carnegie ..	Principal from Employee ..	3.5.60
14053	Fletcher, Diana ..	4 Railway-walk, Hampton ..	Principal from Employee ..	21.3.60

LIST OF HAIRDRESSERS WHO HAVE CHANGED THEIR STATUS—continued.

Certificate No.	Name.	Address.	Nature of Change.	Date.
10800	Flett, Pamela Ann	358 Bell-street, Pascoe Vale South.	Principal from Employee	17.12.59
13762	Follerton, Janice	44 Union-street, Malvern	Employee from Principal	21.3.60
11592	Ponti, Gaetano	13 Claire-street, McKinnon	Nominated Principal from Employee	27.6.60
14890	Forbes, Yvonne	70 Wellington-street, Kerang	Principal from Employee	16.8.60
13415	Ford, Patricia	3 Rooding-street, North Brighton	Principal from Employee	17.12.59
6890	Forster, Dorothy Myrtle	Murray-street, Wangaratta	Nominated Principal from Employee	15.2.60
8113	Forster, Kitty	92 Whitehorse-road, Ringwood	Principal from Employee	21.1.60
1378	Fostino, Olga Margaret	341 Albion-street, Brunswick	Employee from Principal	25.11.60
12057	Foti, Giovanni	Paisley-street, Footscray	Principal from Nominated Principal	8.11.60
14805	Fotter, Charles	103 Raglan-street, South Melbourne	Principal from Employee	17.11.60
9827	Frecker, Mary	Rubicon "A", via Alexander	Employee from Principal	28.1.60
9827	Frecker, Mary	Rubicon "A", via Alexander	Principal from Employee	24.3.60
13762	Fullarton, Janice	336A Orrong-road, North Caulfield	Principal from Employee	12.7.60
1073	Fuller, John William	455 South-road, Moorabbin	Principal from Employee	16.8.60
13222	Fyers, Gwenneth	98 Nepean Highway, Aspendale	Nominated Principal from Employee	8.6.60
14936	Ganci, Mary	138 Queensbury-street, North Melbourne	Principal from Employee	27.5.60
9860	Ganem, Catherine	Warrawee-road, Norlane	Principal from Employee	15.8.60
11928	Gannon, John Michael	Murray-street, Colac	Principal from Employee	7.9.60
6401	Gemelli, Lorna Betty	357 Malvern-road, South Yarra	Employee from Principal	17.12.59
13579	Georgiou, Christos	107 Glengala-road, Sunshine	Employee from Principal	8.1.60
10185	Goldberg, Israel	Flat 7, 23 Charnwood-road, St. Kilda	Employee from Principal	4.11.60
8201	Goninon, Patricia	28 Campbell-grove, Hawthorn	Employee from Nominated Principal	27.6.60
10767	Goode, Estelle	70 Baillie-street, Horsham	Principal from Employee	21.3.60
5475	Gordon, William H.	129 View-street, Bendigo	Principal from Employee	22.12.59
9649	Gouldthorp, Eric Phillip	1 Illova-street, Darling	Principal from Employee	23.5.60
14211	Grau, William	1 Ranfurlicrescent, Glen Iris	Nominated Principal from Employee	22.2.60
2554	Grau, Winifred	509 Bourke-street, Melbourne	Principal from Employee	27.6.60
13733	Gravestain, Lodewijk	36 Lesden-street, East Bentleigh	Principal from Employee	27.6.60
14755	Gray, Jocelyn	110 Curlew-street, Swan Hill	Principal from Employee	16.2.60
14754	Gray, Rosemary	110 Curlew-street, Swan Hill	Principal from Employee	16.2.60
14316	Green, Carmel	High-street, Heathcote	Principal from Employee	4.2.60
14298	Green, Norma	125 Rylie-street, Geelong	Principal from Employee	22.2.60
15207	Greiner, Noel Jennifer	Mangan-street, Tongala	Principal from Employee	14.11.60
13418	Griffin, Marlene	55 Cunningham-street, Sale	Employee from Principal	23.2.60
15208	Guardabascio, Vito	404 Sydney-road, Brunswick	Principal from Employee	19.9.60
15077	Guest, Joy	87 Hightet-road, Hampton	Nominated Principal from Employee	3.5.60
12834	Guillot, Barry James	Bay-street, Frankston	Principal from Employee	5.4.60
15078	Haby, Margaret Lorraine	30 Faith-street, Dimboola	Nominated Principal from Employee	22.11.60
15355	Hain, Nina	101 Springvale-road, Springvale	Principal from Employee	4.11.60
15355	Hain, Nina	17 Windsor-avenue, Oakleigh	Employee from Principal	29.11.60
13949	Hale, Beryl Veronica	92 North-road, Oakleigh	Principal from Employee	23.8.60
6787	Hall, Dorothy Eileen	Box 218, Echuca	Employee from Principal	17.12.59
13957	Hamdorf, Fairlea	31 Clarke-street, Hamilton	Employee from Principal	27.5.60
14601	Hampton, Geoffrey	41 Ferguson-street, Williamstown	Principal from Employee	16.5.60
12260	Hams, Isobel	Railway-avenue, Tynong	Principal from Employee	20.10.60
11368	Hancock, Patricia Beverley	70 Kooyong-road, Caulfield	Nominated Principal from Employee	5.4.60
13914	Harrigan, Denise Mary	39 Talford-street, East Doncaster	Employee from Principal	4.5.60
15080	Harris, Gloria	91-99 Nepean Highway, Moorabbin	Principal from Employee	14.10.60
5952	Harrison, Joy	17 Third-avenue, Aspendale	Employee from Principal	8.2.60
11688	Harrison, Loretta	29 Bamba-road, Caulfield	Employee from Principal	2.2.60
13958	Haydar, Elie	137 Ormond-road, Elwood	Principal from Employee	25.11.60
12686	Haydar, Marina	32 Carlisle-street, St. Kilda	Employee from Principal	14.7.60
7762	Hendrickson, Linden	9 Murray-street, Colac	Employee from Principal	5.2.60
936	Henshall, Margaret	4 Central-court, Hartwell	Principal from Employee	23.2.60
1239	Hepple, Olive	19 Kingsville-street, West Footscray	Employee from Principal	19.9.60
14904	Hernan, Wendy	57A Nunn-street, Benalla	Nominated Principal from Employee	16.8.60
6486	Heron, Veronica	89 Buckle-street, Noble Park	Principal from Employee	10.10.60
13211	Herrick, Leonie Amelia	192 Heath-street, Port Melbourne	Nominated Principal from Employee	15.3.60
13739	Hetherington, Meryll Elizabeth	155 Fairy-street, Warrnambool	Employee from Principal	14.4.60
14905	Hicks, Joy Maree	118 Dixon-street, Wangaratta	Nominated Principal from Employee	31.5.60
13868	Higgins, Betty Margaret	Bank-arcade, Bendigo	Nominated Principal from Employee	23.2.60
13768	Higgins, Betty	91 High-street, Kyneton	Employee from Nominated Principal	14.7.60
8862	Hinck, James Allan	10 Norfolk-street, Bendigo	Employee from Principal	25.11.60
14582	Hoeking, Lorraine	15 Droop-street, Footscray	Principal from Employee	24.3.60
6588	Hodge, Marcia	Mitford-street, St. Kilda	Employee from Principal	4.3.60
14177	Hogan, Jill	Church-street, Keilor	Employee from Principal	9.2.60
3971	Holland, Robert	1 Joffre-street, Burwood	Employee from Nominated Principal	23.5.60
13845	Hollis, Dorothy June	Fitzroy-street, Stratford	Principal from Employee	15.3.60
15210	Holt, Norman John	6 Hayes-street, Shepparton	Principal from Employee	22.11.60
13184	Honan, Noelle	Allies Hotel, Myers Flat	Employee from Nominated Principal	23.8.60
7398	Honey, Flora Janet	59 Williamstown-road, Footscray	Employee from Principal	8.11.60
13735	Hooper, Wendy Elizabeth	15A Anderson-street, Templestowe	Principal from Employee	8.1.60
11538	Hoskins, Beverley	3 King-street, Blackburn	Employee from Principal	16.2.60
13653	House, Brian Lionel	75 Cooper-street, Essendon	Nominated Principal from Employee	12.7.60
9929	Howatt, Maree Betty	73A Nicholson-street, Footscray	Principal from Employee	8.6.60
5004	Hudson, John Alfred	10 Eaton-street, Oakleigh	Nominated Principal from Employee	23.8.60
8511	Hughes, Helen Louise	42 George-street, Oakleigh	Employee from Principal	23.5.60
15209	Hughes, Rae	27 Hutton-street, Thornbury	Principal from Employee	15.8.60
13562	Hunter, Dorothea May	77 Military-road, Avondale Heights	Principal from Employee	1.8.60
8612	Hurley, Lena Ann	12 Crofton-street, Benalla	Principal from Employee	5.4.60
6750	Hutcheon, Herbert	265 Auburn-road, Auburn	Principal from Employee	22.12.59

LIST OF HAIRDRESSERS WHO HAVE CHANGED THEIR STATUS—*continued.*

Certificate No.	Name.	Address.	Nature of Change.	Date.
13054	Ierino, Saverlo	130 Munro-street, West Coburg	Employee from Principal .. .	4.3.60
13738	Iraclis, Antoniou .. .	106 Sydney-road, Brunswick .. .	Principal from Employee .. .	10.10.60
12299	Irvine, Patricia .. .	428 Dawson-street, Ballarat .. .	Principal from Employee .. .	14.10.60
14697	Isgro, Santo .. .	15 McCallum-street, Swan Hill .. .	Principal from Employee .. .	21.3.60
9189	Ives, Lois Margaret .. .	46 Camperdown-street, East Brighton .. .	Employee from Principal .. .	4.5.60
14245	Iwanowich, Wasil .. .	370 Basil-street, Melbourne .. .	Principal from Employee .. .	1.3.60
13154	Jago, Beverley .. .	"Ilouka", Gifford, via Sale .. .	Employee from Principal .. .	22.1.60
12874	Jakouljevic, Ivan .. .	Wells-arcade, Dandenong .. .	Principal from Employee .. .	12.7.60
9462	James, Norma .. .	54 Ballard-street, West Yarraville .. .	Employee from Principal .. .	8.2.60
14911	Jankovic, Slavoljur .. .	216 Gertrude-street, Fitzroy .. .	Principal from Employee .. .	10.10.60
8361	Jeffs, Norma .. .	37 Churchill-way, Kilsyth .. .	Principal from Nominated Principal .. .	26.4.60
15212	Jelo, Joseph .. .	159 Brighton-road, St. Kilda .. .	Principal from Employee .. .	12.7.60
14468	Jenkins, Rhonda .. .	Hurstbridge .. .	Principal from Employee .. .	4.11.60
3715	Jockell, Peggy .. .	512 Glenferrie-road, Hawthorn .. .	Employee from Principal .. .	16.2.60
10910	Johns, Francis McDonald .. .	6 Gloria-avenue, Dandenong .. .	Employee from Nominated Principal .. .	21.3.60
15277	Johnston, Lynne .. .	118 Millers-road, Paisley .. .	Principal from Employee .. .	7.9.60
14558	Joiner, Beverlie .. .	13 Freame-street, Yarraville .. .	Nominated Principal from Employee .. .	16.5.60
14605	Jolly, Lynette Margaret .. .	41A Grantham-street, West Brunswick .. .	Principal from Employee .. .	4.11.60
13249	Jones, Lynette .. .	17 Calbourne-street, West Preston .. .	Employee from Principal .. .	17.12.59
13249	Jones, Lynette .. .	157 Gilbert-road, Preston .. .	Nominated Principal from Employee .. .	25.8.60
14375	Jorgensen, Barbara .. .	Dorset-road, Boronia .. .	Nominated Principal from Employee .. .	17.12.60
12481	Judmayr, Bruno .. .	245 Gertrude-street, Fitzroy .. .	Principal from Employee .. .	17.12.60
14913	Julien, Beverley Dawn .. .	41 Price-street, Torquay .. .	Principal from Employee .. .	12.7.60
14057	Jureic, Nicola .. .	177 Malop-street, Geelong .. .	Principal from Employee .. .	15.3.60
12212	Kaempf, Stefan .. .	9 Norwood-crescent, Moonee Ponds .. .	Principal from Employee .. .	26.11.60
12915	Katerelos, Stravros .. .	1 Sylvander-street, North Balwyn .. .	Principal from Nominated Principal .. .	25.8.60
13903	Kawaja, Josephine .. .	29 University-street, Carlton .. .	Principal from Employee .. .	28.2.60
12027	Kefalas, John .. .	99 Nelson-road, South Melbourne .. .	Employee from Nominated Principal .. .	23.5.60
13847	Kellett, William Roy .. .	1443 Malvern-road, Glen Iris .. .	Principal from Employee .. .	26.4.60
12187	Kemerides, Efstafios .. .	136 Sackville-street, Collingwood .. .	Principal from Employee .. .	4.3.60
14631	Kennedy-Wilson, Carl .. .	25 Johnson-street, Hawthorn .. .	Employee from Nominated Principal .. .	14.4.60
13613	Kerr, Maxwell James .. .	20 Tobruk-street, Morwell .. .	Principal from Employee .. .	10.10.60
16418	Kerr, Valda .. .	41 Altona-street, West Heidelberg .. .	Principal from Employee .. .	26.4.60
13913	Kershaw, Gwenyth May .. .	Palmerston-street, Warragul .. .	Nominated Principal from Employee .. .	8.6.60
13740	Keveloch, Elvira .. .	29 Leeds-street, Footscray .. .	Principal from Employee .. .	17.12.59
2533	Kiely, Leonard John .. .	319 Lygon-street, East Brunswick .. .	Principal from Employee .. .	24.3.60
14376	Kingston, Kathleen Margaret .. .	124 High-street, Belmont .. .	Principal from Employee .. .	14.4.60
13741	Kinniff, Margo .. .	4 Scarlet-street, Mordialloc .. .	Employee from Principal .. .	19.9.60
7995	Kleinman, Karol .. .	265 Auburn-road, Hawthorn .. .	Employee from Principal .. .	16.2.60
13443	Kleinman, Karl Hans .. .	364 South-road, Moorabbin .. .	Principal from Employee .. .	29.3.60
11599	Klumper, Gerhard .. .	28 Ryrie-street, Geelong .. .	Employee from Principal .. .	18.1.60
14196	Knispet, Margot .. .	72 Lake-road, Blackburn .. .	Principal from Employee .. .	4.11.60
15036	Knowles, Joyce Margaret .. .	Cranbourne-road, Dandenong .. .	Nominated Principal from Employee .. .	29.3.60
10382	Kohn, Ernest .. .	350A Clayton-road, Clayton .. .	Principal from Employee .. .	19.1.60
13962	Kounna, Vito .. .	1062 Glenhuntly-road, Glenhuntly .. .	Principal from Employee .. .	4.11.60
12731	Koutscheras, Nicholas .. .	155 Elgin-street, Carlton .. .	Principal from Employee .. .	10.10.60
13420	Kovac, Frank .. .	278 High-street, Kew .. .	Principal from Employee .. .	1.3.60
14831	Krol, John .. .	482 Williams-street, West Melbourne .. .	Employee from Principal .. .	27.1.60
9658	Kyriakou, Kostantinos .. .	424 Church-street, Richmond .. .	Principal from Employee .. .	25.8.60
5961	Kyriakou, Phahalís .. .	656 Bridge-road, Richmond .. .	Employee from Principal .. .	15.8.60
10911	Kullay, Sandor .. .	320 Clarendon-street, South Melbourne .. .	Nominated Principal from Employee .. .	23.8.60
10237	Lalor, Margot June .. .	35 Kent-avenue, Croydon .. .	Principal from Employee .. .	16.2.60
9243	Lambert, Lois Margaret .. .	Bruce-street, Forster .. .	Principal from Employee .. .	21.3.60
10552	Lambrini, Caesar .. .	377 Bourke-street, Melbourne .. .	Principal from Employee .. .	3.2.60
14626	Lamont, Josephine .. .	94 Station-street, Deer Park .. .	Principal from Employee .. .	21.3.60
12112	Lane, Audrey Elizabeth .. .	Shop 9, Lower Dandenong-road, Mentone .. .	Principal from Employee .. .	31.5.60
11975	Laruccia, Giovanni .. .	588 Sydney-road, Brunswick .. .	Principal from Employee .. .	17.12.59
5302	Laverty, David .. .	30 Boundary-street, South Melbourne .. .	Nominated Principal from Employee .. .	15.3.60
10779	Law, Beryl Elva .. .	Archer-street, Shepparton .. .	Principal from Employee .. .	29.3.60
14377	Lea, Beverley Dawn .. .	43 Ligar-street, Stawell .. .	Employee from Principal .. .	23.5.60
11814	Le Busque, Thelma .. .	Sims-road, Briar Hill .. .	Employee from Principal .. .	26.1.60
10141	Lehmann, Wendy Maureen .. .	36 Crawford-road, Clarinda .. .	Employee from Principal .. .	3.5.60
12735	Lentinello, Frank .. .	405 Brunswick-street, Fitzroy .. .	Principal from Employee .. .	24.5.60
9980	Lewis, Elizabeth .. .	Seville .. .	Principal from Employee .. .	4.3.60
13902	Lilicato, Sebastiano .. .	139 Campbell-street, Swan Hill .. .	Principal from Employee .. .	21.3.60
12425	Lilley, Helen Mary .. .	45 Hayington-place, Toorak .. .	Employee from Principal .. .	16.5.60
1777	Linton, Alroy .. .	41 Bendigo-avenue, Bentleigh .. .	Nominated Principal from Employee .. .	27.5.60
14477	Lockhart, Diana .. .	154 Beach-road, Sandringham .. .	Principal from Employee .. .	29.3.60
9358	Longley, Reginald .. .	311 Keilor-road, Essendon .. .	Principal from Employee .. .	9.5.60
13479	Love, Alice Margaret .. .	"Hilde", Bridge-street, Benalla .. .	Principal from Employee .. .	8.6.60
14003	Luscombe, Frances .. .	12 Osborne-street, South Yarra .. .	Nominated Principal from Employee .. .	29.3.60
14833	Lyons, Kaye .. .	789 Nicholson-street, North Carlton .. .	Principal from Employee .. .	3.5.60
8717	McArdle, Donald .. .	31 Nelson-street, Ringwood .. .	Nominated Principal from Employee .. .	27.6.60
15322	McArthur, Janice .. .	15A Tucker-road, Moorabbin .. .	Principal from Employee .. .	14.10.60
14928	McAughtrie, Thomas .. .	High-street, Northcote .. .	Principal from Employee .. .	23.8.60
8946	McCormack, Beryl .. .	36 Emerald-street, West Essendon .. .	Principal from Employee .. .	19.9.60
7172	McDonald, Archibald .. .	23 Main-street, North Sunshine .. .	Employee from Nominated Principal .. .	14.7.60

LIST OF HAIRDRESSERS WHO HAVE CHANGED THEIR STATUS—continued.

Certificate No.	Name.	Address.	Nature of Change.	Date.
14254	McDonald, Elizabeth	Railway-place, Elmore	Nominated Principal from Employee	19.9.60
14254	McDonald, Elizabeth	Railway-place, Elmore	Principal from Employee	9.2.60
10738	McDonald, Margaret	279 Rossetter-road, Koo-wee-rup	Employee from Principal	27.5.60
12754	McDonald, Shirley	16 Howden-street, Sandringham	Employee from Nominated Principal	14.10.60
15190	McErlaine, Gwenda	Lot 129, Jukes-road, Fawkner	Nominated Principal from Employee	30.5.60
15283	McEwan, Margaret	Nambrok, via Rosedale	Principal from Employee	14.10.60
11604	McGinty, Raymond	608 Main-street, Mordialloc	Nominated Principal from Employee	26.4.60
13106	McInness, Rita Elizabeth	17 Langridge-street, Middle Park	Nominated Principal from Employee	3.5.60
14529	McKay, Eileen Jean	41 Melbourne-road, Drumoonda	Principal from Employee	16.5.60
14296	McKay, Hazel Ruth	Evans-street, Sunbury	Principal from Employee	8.11.60
12981	McKeeman, Pauline Ann	336 Bay-street, North Brighton	Principal from Nominated Principal	19.9.60
11959	McKenzie, Ronald	87 High-street, Terang	Principal from Employee	27.6.60
12484	McKnight, Raymond	5 Ilex-street, Red Cliffs	Principal from Employee	16.2.60
14119	McLean, Ina Rose	12 Earle-street, Mont Albert	Employee from Principal	23.8.60
4567	McNab, Jack	Union House, University, Melbourne	Nominated Principal from Employee	5.4.60
13905	McNamara, Lawrence	2 Elmhurst-road, Blackburn	Employee from Nominated Principal	23.8.60
13700	McNaught, Kathleen	Hopetown-street, Rochester	Employee from Principal	18.1.60
1035	McNeice, Daisy	Chr. Ryrie and Moorabool streets, Geelong	Principal from Employee	4.11.60
13320	Macaskill, Joan Christine	34A Emu-parade, Jacana	Principal from Employee	3.5.60
9777	Macfie, Doreen	10 Gellibrand-crescent, Reservoir	Employee from Principal	26.2.60
9777	Macfie, Doreen	10 Gellibrand-crescent, Reservoir	Principal from Employee	14.11.60
14697	MacKley, Audrey	181 Canterbury-road, Canterbury	Principal from Employee	17.12.59
13799	Macris, Victoria	389 Ferguson-street, Williamstown	Principal from Employee	12.7.60
2785	Maier, James Benedict	49 Foley-street, Kew	Employee from Principal	17.12.59
3772	Malpass, John Alfred	813 Sturt-street, Ballarat	Principal from Employee	15.3.60
13052	Marchioli, Luigi	484 Macaulay-road, Kensington	Principal from Employee	31.5.60
15098	Marinelli, Antoinette	17 Wingate-street, East Bentleigh	Principal from Employee	19.9.60
10576	Markby, Bruce Edward	442 Nepean Highway, Chelsea	Principal from Employee	22.11.60
7900	Marsham, Myrna	124A Aberdeen-street, Geelong	Employee from Nominated Principal	14.7.60
13153	Marston, Norma Isabel	415 Church-street, Richmond	Nominated Principal from Employee	14.10.60
3035	Martiniano, Nicola	170 Queensberry-street, North Melbourne	Employee from Principal	17.12.59
6703	Martin, Reginald Owen	1013 Main-street, East Doncaster	Nominated Principal from Principal	3.5.60
12416	Marshall, Hazel	707 South-road, Moorabbin	Nominated Principal from Employee	21.1.60
13852	Mashiter, Roma	1013 Main-road, East Bentleigh	Nominated Principal from Employee	14.4.60
10387	Mass, Berek	352 Clarendon-street, South Melbourne	Principal from Nominated Principal	8.6.60
5913	Mates, Vera	21 Fairholm-grove, Camberwell	Employee from Principal	28.1.60
14923	Mathieson, Marie	Moona Gana, Nullawarre	Principal from Employee	29.11.60
14698	Matthews, Lance	Aberdeen-street, Geelong	Principal from Employee	19.1.60
12059	Matthews, Sidney Victoria	25 Bowman-street, Mordialloc	Nominated Principal from Employee	30.3.60
1902	May, Walter Geroge	19 Ruby-street, Balwyn	Employee from Principal	17.12.59
14382	Mayfield, Claire	13 Hutton-street, Dandenong	Principal from Employee	26.2.60
12126	McE, Eileen Allan	Swanston-street, Melbourne	Principal from Employee	23.8.60
7395	Meloni, Lucy Elma	Railway-crescent, Mt. Evelyn	Principal from Nominated Principal	27.6.60
12819	Metherall, Marlene	35 Blair-street, Leongatha	Principal from Employee	4.3.60
14065	Miceli, Sebastiano	12 Holmes-road, Moonee Ponds	Principal from Employee	17.12.59
10352	Milburn, Beverley	9 Learmonth-street, Moonee Ponds	Employee from Principal	27.5.60
14589	Milicic, Anta	81 Queen's-parade, Clifton Hill	Principal from Employee	27.7.60
11845	Millar, Valmai Enid	Orbost	Employee from Principal	16.6.60
11645	Millar, Valmai Enid	56 Nicholson-street, Orbost	Nominated Principal from Employee	4.11.60
9584	Miller, Hazel	A.S.C.O., Raleigh-street, Maribyrnong	Employee from Principal	14.7.60
5334	Miller, Sydney Walter	187 Blackburn-road, Sydnal	Nominated Principal from Employee	23.8.60
9855	Millington, Shirley	Flinders Naval Depot	Principal from Employee	20.10.60
9888	Mills, Leonard	Main-street, East Pakenham	Principal from Employee	28.1.60
11327	Milnes, Patricia	Main-street, East Pakenham	Principal from Nominated Principal	22.2.60
13088	Milson, Olive	286 Clayton-road, Clayton	Principal from Employee	19.1.60
14205	Minc, Fiszal	65 Toorak-road, South Yarra	Principal from Employee	23.5.60
14927	Minc, Gela	65 Toorak-road, South Yarra	Principal from Employee	14.10.60
15121	Minogue, Ann Marie	14 Morris-street, Williamstown	Nominated Principal from Employee	28.4.60
12045	Mintern, Marlene Joan	Mansfield-street, Euroa	Nominated Principal from Employee	3.5.60
13908	Mirabile, Maria	272 Sydney-road, Coburg	Principal from Employee	14.10.60
14531	Montano, Antonio	119 Victoria-street, East Ballarat	Employee from Principal	15.3.60
11018	Monks, Keith Ernest	17 McPhair-street, Essendon	Principal from Employee	20.4.60
13485	Montschalk, Teodor	128 Wellington-parade, East Melbourne	Employee from Nominated Principal	8.1.60
3195	Moon, Leslie	87 High-street, Terang	Principal from Employee	5.2.60
10074	Mooney, Richard	601 Dana-street, Ballarat	Employee from Principal	23.2.60
14532	Morawski, Ryszard	4 Canterbury-road, Albert Park	Employee from Principal	18.1.60
14259	Moroney, Nancy	146 Acland-street, St. Kilda	Principal from Employee	19.1.60
7899	Morris, Kenneth	131 Windsor-crescent, Surrey Hills	Employee from Principal	27.6.60
14563	Morrison, Ronald	50 Mackay-street, Rochester	Nominated Principal from Employee	19.9.60
10956	Morton, Patricia Emuly	82 Hudson-road, Spotswood	Principal from Nominated Principal	5.4.60
12490	Mueller, Jeanette	169 Queensville-street, West Footscray	Employee from Principal	15.3.60
14926	Munday, Marlene	31 Monash-street, West Footscray	Nominated Principal from Employee	28.5.60
1908	Munday, Thomas James	77 Malpass-street, East Preston	Employee from Nominated Principal	22.11.60
14421	Munro, Beverley Ann	178 High-street, Ashburton	Principal from Employee	14.10.60
13182	Murray, Margaret	55 Hope-street, Brunswick	Nominated Principal from Employee	7.9.60
12975	Murraylea, Valma	427 Main-road, Eltham	Employee from Principal	29.1.60
10580	Mustifa, Rifat	9 Mary-street, Hawthorn	Employee from Principal	16.2.60
10580	Mustifa, Rifat	9 Mary-street, Hawthorn	Principal from Employee	31.5.60
1098	Mutimer, Ruben E.	131 Harold-street, Thornbury	Employee from Principal	8.1.60
1098	Mutimer, Ruben E.	107 Holmes-street, East Brunswick	Principal from Employee	14.10.60
7320	Neal, Audrey Viola	1 Nicholson-street, Melbourne	Employee from Principal	23.5.60
7320	Neal, Audrey Viola	1 Nicholson-street, Melbourne	Teacher from Employee	20.10.60
7239	Newsome, Patricia	50 Holmes-street, East Brunswick	Nominated Principal from Employee	9.5.60
14929	Newton, Valerie Ann	238 Young-street, Frankston	Nominated Principal from Employee	7.9.60
12883	Nicastro, Sebastiano	103 Haines-street, North Melbourne	Employee from Principal	22.2.60
8252	Nichol, Margaret Jean	11 Fletcher-street, Burwood	Employee from Principal	23.5.60

LIST OF HAIRDRESSERS WHO HAVE CHANGED THEIR STATUS—*continued.*

Certificate No.	Name.	Address.	Nature of Change.	Date.
5877	Nixon, Leslie Francis	"South Pacific", St. Kilda	Nominated Principal from Principal	17.12.59
8949	Northam, Valerie	14 Wolseley-street, Moorabbin	Employee from Principal	22.2.60
8949	Northam, Valerie	116A Patterson-street, Moorabbin	Principal from Employee	27.6.60
8280	Norton, Lois	22 Sargood-street, Altona	Employee from Principal	18.1.60
13803	Nosworthy, Elizabeth	155 Fairy-street, Warrnambool	Employee from Principal	18.1.60
5889	Oehm, Cecil Francis	712 High-street, Armadale	Principal from Employee	27.5.60
9336	O'Hara, Terence	Murray-street, Finlay, N.S.W.	Principal from Employee	16.2.60
6181	O'Hare, Bernard	397 Post Office-place, Melbourne	Principal from Employee	5.4.60
14326	Olschyna, Edetraude	279 Wattletree-road, East Malvern	Principal from Employee	19.1.60
11020	Onisiforou, Andros	McCubbin's Buildings, Finlayson-crescent, Traralgon	Principal from Employee	29.11.60
11840	Opacak, Ivan	474 George-street, Fitzroy	Employee from Nominated Principal	18.1.60
7056	Orbell, Colin Francis	5 Hamilton-place, Mt. Waverley	Employee from Nominated Principal	14.4.60
14585	Ormenyassy, Frances	Room 12, Acland House, Acland-street, St. Kilda	Principal from Employee	26.1.60
13096	O'Shea, Patricia	32 Gratton-street, Bendigo	Nominated Principal from Employee	15.3.60
2553	Oswald, Ray Jean	333 Moorabool-street, Geelong	Nominated Principal from Principal	31.5.60
8554	Otter, Leslie William	125 Douglas-parade, Williamstown	Principal from Employee	4.11.60
14156	Paduano, Filomena	160 Holden-street, North Fitzroy	Principal from Employee	15.8.60
12977	Paget, Joy Eileen	82 Wells-street, Frankston	Principal from Employee	5.2.60
13587	Palermo, Francesco	75 Harding-street, East Coburg	Principal from Employee	16.6.60
11860	Panara, Rinaldi	132 Lygon-street, Carlton	Principal from Employee	10.10.60
14085	Pangallo, Antonio	Box 149, Red Cliffs	Employee from Principal	16.5.60
14327	Papadopoulos, Helen	151 Johnston-street, Collingwood	Principal from Employee	23.8.60
14704	Papai, Joseph	260 Como-parade, Parkdale	Nominated Principal from Principal	23.5.60
14657	Paphiti, Tsmini	151 Johnston-street, Collingwood	Principal from Employee	19.1.60
7396	Parsons, Norma Lillian	20 Vincent-street, Ararat	Employee from Principal	3.5.60
14706	Pasternak, Peter	27 McIvor-road, St. Albans	Principal from Employee	12.7.60
13365	Papane, Giuseppe	22A Valetta-street, Malvern	Employee from Principal	26.2.60
3664	Paton, Joyce	8 Judith-street, Burwood	Employee from Principal	29.1.60
14658	Patterson, Gwenneth	591 Station-street, Box Hill	Principal from Employee	19.9.60
13970	Paul, Elizabeth	783 Station-street, Box Hill	Principal from Employee	12.7.60
7271	Paulet, Theima	Mewburn Park, Maffra	Employee from Principal	5.2.60
13538	Pavlin, Ivan	125 Fitzroy-street, St. Kilda	Principal from Employee	17.12.59
12161	Peacock, Sidney	2 Fletcher-street, Moorabbin	Employee from Nominated Principal	23.5.60
13427	Pearson, Lynette	Commercial-road, Yarram	Nominated Principal from Employee	3.5.60
13167	Pendlebury, Heather	Church-street, Middle Brighton	Principal from Employee	16.2.60
10403	Pernazza, Nicola	165 Johnston-street, Collingwood	Principal from Employee	17.11.60
8960	Perry, Evelyn	Haslam-street, Kyabram	Employee from Principal	8.2.60
12162	Pierce, Valda May	2 Alma-avenue, Lower Ferntree Gully	Employee from Principal	21.1.60
8111	Pierce, Valda May	11 Northumberland-road, Sunshine	Principal from Employee	18.8.60
3980	Plank, Ernest John	Torquay	Principal from Employee	17.11.60
7675	Polson, Bettye Merl	5 Rogers-road, Moorabbin	Principal from Employee	27.7.60
14708	Pope, Rhonda May	122 Robert-street, Kingsville	Principal from Employee	20.10.60
13858	Potter, Lois	48 Leeds-street, Footscray	Principal from Employee	19.9.60
7432	Poulson, Isabell Florence	Lilly-street, Altona	Principal from Employee	22.11.60
353	Powell, John	1 Cranwell-avenue, Strathmore	Employee from Principal	27.5.60
7589	Preston, Barbara	21 Winston-drive, South Caulfield	Principal from Employee	27.5.60
7589	Preston, Barbara	21 Winston-drive, Caulfield	Employee from Principal	25.8.60
10298	Prill, Fritz	296 Collins-street, Melbourne	Principal from Employee	17.12.59
14568	Pudler, Gisela	299 Inkerman-street, St. Kilda	Principal from Employee	15.3.60
13237	Quinton, Margaret	Cor. Little Bourke and Queen streets, Melbourne	Principal from Employee	4.3.60
10446	Radley, Leslie James	King George-street, Cohuna	Nominated Principal from Principal	14.11.60
9081	Rae, Agnes Bell Gedde	2F Hudson-street, Caulfield	Employee from Principal	21.3.60
9081	Rae, Agnes Bell	2F Hudson-street, Caulfield	Principal from Employee	27.7.60
10883	Raftopoulos, Marinos	12 Elm-grove, Richmond	Employee from Nominated Principal	26.4.60
13911	Ralph, Hilae	Lot 4, Centre-road, East Clayton	Principal from Employee	1.8.60
5060	Ralston, Elna	106 Cochrane-street, Gardenvale	Employee from Principal	4.2.60
11292	Ratcliff, Naomie	18 Chatlam-road, Canterbury	Employee from Principal	29.3.60
15004	Rauss, Henry	Gembrook-road, Cockatoo	Principal from Employee	5.4.60
13621	Reaper, Lorraine Mary	142 Altona-street, West Heidelberg	Principal from Employee	4.3.60
31	Redmond, John Douglas	661 Centre-road, Bentleigh	Principal from Employee	7.9.60
1037	Reed, Minette Ida	161 Victoria-avenue, Albert Park	Principal from Employee	7.9.60
582	Reed, Oliver Maxwell	Chevron, via Gippsland	Employee from Principal	16.6.60
13338	Retz, Johann	139 Ferntree Gully-road, East Oakleigh	Employee from Principal	19.1.60
14767	Richards, Rhonda	266 Hampshire-road, Sunshine	Principal from Employee	1.3.60
10669	Rierchy, Ramon	14 Tramoo-street, Loral	Employee from Principal	27.6.60
4747	Riley, Arthur	4 Albert-street, Mitcham	Employee from Principal	24.2.60
4747	Riley, Arthur	9 Langhorne-street, Dandenong	Principal from Employee	14.4.60
13985	Riley, Barbara	7 Benjamin-street, Sunshine	Employee from Principal	25.7.60
11070	Risch, Jacob	2 Crown-street, North Richmond	Employee from Principal	25.7.60
11070	Risch, Jacob	2 Keilor-road, North Essendon	Principal from Employee	19.9.60
6761	Risson, Joyce	Cor. Thompson and Wells-streets, Frankston	Principal from Employee	17.11.60
14665	Ritchie, Georgina	24 Austin-crescent, Kingsville	Employee from Principal	26.4.60
13912	Rizzo, Filippo	Station-street, Loral	Nominated Principal from Employee	8.11.60
9832	Robinson, Elma	15 Winifred-street, Preston	Employee from Principal	25.8.60
4411	Robinson, Fredrick	101 Victoria-street, Albert Park	Principal from Nominated Principal	3.2.60

LIST OF HAIRDRESSERS WHO HAVE CHANGED THEIR STATUS—continued.

Certificate No.	Name.	Address.	Nature of Change.	Date.
9774	Robinson, Patricia	12 Reno-road, Sandringham	Principal from Employee	3.2.60
10300	Rogers, Gwen Elizabeth	Woodford, via Warrnambool	Principal from Employee	22.2.60
5419	Rollason, Joyce Ellen	46 Wilkin-street, Newport	Principal from Employee	7.9.60
13850	Rollinis, Rosemarie	2 Derrimutt-street, Albion	Principal from Employee	20.10.60
10670	Romagnesi, Mario	McMillan-street, Bairnsdale	Principal from Employee	29.11.60
11646	Romeo, Gwenda	50 Were-street, Montmorency	Employee from Principal	3.2.60
6741	Rowland, Bertram	Alsen-place, Broadmeadows	Principal from Employee	16.6.60
14798	Rowsell, Rita Dawn	Cronic-street, Rupanyup	Nominated Principal from Principal	4.11.60
15171	Ruddock, Coral Jean	292 High-street, Northcote	Principal from Employee	29.11.60
12217	Russell, Alfred	20 Louise-street, Coburg	Employee from Principal	9.2.60
9605	Ryder, Gertrude May	28 Allenby-street, East Malvern	Employee from Principal	29.11.60
13259	Saia, Beverley	66 Erin-street, West Preston	Nominated Principal from Employee	27.7.60
12932	Salvia, Antonio	16 Brownbill-street, East Geelong	Principal from Employee	26.1.60
12933	Santalucia, Nicola	238 Union-road, Ascot Vale	Principal from Employee	24.2.60
10963	Saranito, Guiseppe	150 Exhibition-street, Melbourne	Principal from Employee	29.11.60
14850	Saunders, Christine Janet	13 Hall-street, Cheltenham	Principal from Employee	8.11.60
6359	Saunders, Mavis	108 River-street, Newport	Principal from Employee	25.8.60
6237	Sawyer, Frances Lola	1367 Dandenong-road, East Malvern	Employee from Principal	5.4.60
13942	Schelling, Joerg	296 Collins-street, Melbourne	Principal from Employee	17.12.59
13498	Schmitz, Marianne	36 Lemana-crescent, Mt. Waverley	Nominated Principal from Employee	27.6.60
13971	Scholler, Erika	271 High-street, Prahran	Principal from Employee	14.10.60
11721	Schulties, James	97 Beatty-street, Ivanhoe	Nominated Principal from Employee	16.5.60
8273	Scott, Charles William	1341 Dandenong-road, Chadstone	Nominated Principal from Employee	1.8.60
11242	Scott, Raymond J.	115 High-street, Kew	Nominated Principal from Employee	17.12.59
13694	Seary, June	Moonlight-street, Stawell	Employee from Principal	1.3.60
12031	Seegar, Marilyn June	9 Cheddar-road, Reservoir	Employee from Principal	17.12.59
10052	Serong, Geraldine	119 Oakleigh-road, Murrumbeena	Employee from Principal	21.3.60
10052	Serong, Geraldine	536 Malvern-road, Prahran	Principal from Employee	7.9.60
14510	Sevdalis, Kalliop	79 Keppell-street, Carlton	Teacher from Principal	20.10.60
14636	Shankland, Barbara	Greenvale, via Broadmeadows	Principal from Employee	8.6.60
13522	Shaw, Barbara Merle	2 Rutland-road, Box Hill	Principal from Employee	29.11.60
3321	Shedden, Hughie	77 Station-street, Bennetswood	Nominated Principal from Employee	23.8.60
14011	Sheward, Joanna	Pearson-street, Bunyip	Employee from Principal	21.3.60
14272	Siciliano, Anna	10 Rushall-street, Fairfield	Nominated Principal from Employee	15.3.60
14272	Siciliano, Anna	10 Rushall-street, Fairfield	Employee from Nominated Principal	14.10.60
5457	Siglas, June	239 Whitehorse-road, Balwyn	Employee from Principal	16.5.60
11702	Siggins, Lois Gwen	13 Clarke-street, Benalla	Principal from Employee	5.4.60
15173	Slaviero, Diana	9 Harlington-street, Clayton	Nominated Principal from Employee	4.11.60
13591	Smart, Maree	66 Grant-street, Ballarat	Nominated Principal from Employee	9.5.60
12527	Smiles, Mury Pauline	7 Greville-street, Box Hill	Principal from Employee	19.9.60
10093	Smith, Donald Frank	388 Springvale-road, Glen Waverley	Principal from Employee	19.9.60
5180	Smith, Edward	51 Stanley-avenue, East Oakleigh	Employee from Principal	27.7.60
15174	Smith, Janice	67 Altona-street, West Heidelberg	Nominated Principal from Employee	30.5.60
15174	Smith, Janice	67 Altona-street, West Heidelberg	Employee from Principal	17.11.60
9320	Smith, John Ross	527 Warrigal-road, Ashwood	Principal from Nominated Principal	16.5.60
14076	Smith, Marion Ann	Lot 14, Marianne-way, Mount Waverley	Principal from Employee	16.5.60
15233	Smith, Pamela	787 Nicholson-street, North Carlton	Nominated Principal from Employee	27.6.60
268	Smith, Victor	20 Beatrice-avenue, West Heidelberg	Employee from Principal	19.1.60
14425	Smith, Yvonne	1 Western-street, Geelong	Principal from Employee	8.2.60
13681	Soden, Sandra Claire	26 Station-street, Ivanhoe	Principal from Employee	1.8.60
15175	Spence, Gail	Railway-avenue, Laverton	Principal from Employee	15.8.60
5101	Stein, Ernest John	169 Melbourne-road, North Geelong	Principal from Employee	19.9.60
14332	Stepan, Rosa	124 Buckley-street, Footscray	Principal from Employee	20.10.60
15117	Stewart, Beverley	Loughans-arcade, Sale	Nominated Principal from Employee	8.6.60
12166	Stokes, Patricia Margaret	c/o Railway-terrace, Ouyen	Employee from Principal	3.5.60
10840	Stork, Barbara	4 Elizabeth-street, Fawkner	Employee from Principal	28.1.60
2868	Story, John Henry	Hunbada-avenue, Upwey	Principal from Nominated Principal	16.2.60
14014	Stratton, Gloria Dawn	19 Autumn-street, Geelong	Nominated Principal from Employee	16.2.60
11051	Styllianou, Andreas	176 Coppin-street, Richmond	Principal from Employee	27.7.60
13685	Swinton, Rita	26 Station-street, Ivanhoe	Principal from Employee	1.8.60
9937	Syme, Patricia	11 Parkfoam-avenue, Pascoe Vale	Principal from Employee	16.2.60
14571	Tadic, Bozidar	249 Brunswick-road, Brunswick	Principal from Employee	17.11.60
12532	Talbot, Janice	16 Lavender Path-road, Eltham	Principal from Employee	1.8.60
12502	Tanous, Essa	164 Spensley-street, Clifton Hill	Nominated Principal from Employee	27.5.60
12880	Tarantino, Antonio	29 Leeds-street, Footscray	Principal from Employee	4.11.60
1373	Tarrant, George	119 Tarrant-street, Melbourne	Principal from Employee	19.1.60
12442	Taylor, Eleanor	121 Were-street, Brighton	Principal from Nominated Principal	14.10.60
15177	Taylor, Margot Constance	469 Bay-street, North Brighton	Principal from Employee	14.11.60
1755	Taylor, Winifred Iris	3 Killara-avenue, Camberwell	Employee from Principal	17.12.59
6869	Temby, Eileen Dorothy	8 Foam-street, Ascendale	Nominated Principal from Principal	31.5.60
9219	Terry, Ralph Henry	9 Centre-road, South Oakleigh	Principal from Nominated Principal	12.7.60
15140	Terzini, Annaldo	276 Carlisle-street, Balacava	Principal from Employee	1.8.60
13602	Terzini, Ida	276 Carlisle-street, Balacava	Principal from Employee	1.8.60
14522	Teskera, Cecilia	102 Hopkins-street, Footscray	Principal from Employee	14.11.60
13433	Thain, Edwin	145 Mentone-parade, Mentone	Principal from Employee	14.4.60
5139	Thomas, Thelma Lillian	Railway-avenue, Laverton	Nominated Principal from Employee	22.2.60
6704	Thompson, Lyndsay Rosa	4 Dundee-street, South Blackburn	Employee from Principal	14.10.60
13207	Thompson, Joyce Margaret	90 Hogan-street, Tatura	Principal from Employee	20.10.60
5154	Threlkeld, Hector	587 Bourke-street, Melbourne	Employee from Principal	21.1.60
13921	Tinaro, Michele	404 Sydney-road, Brunswick	Principal from Employee	15.8.60
14739	Tobin, Bernice	561 Plenty-road, East Preston	Nominated Principal from Employee	5.4.60
6888	Towart, Noel Mignon	Bluff-road, Black Rock	Principal from Employee	8.11.60
11472	Tralanga, Alex	134 Union-road, Ascot Vale	Principal from Employee	19.9.60
3894	Traynor, Emma May	22 Charming-street, Moorabbin	Employee from Nominated Principal	26.4.60

LIST OF HAIRDRESSERS WHO HAVE CHANGED THEIR STATUS—*continued.*

Certificate No.	Name.	Address.	Nature of Change.	Date.
5032	Trescowthick, Thomas ..	46 Chapel-street, Windsor ..	Employee from Principal ..	27.7.60
12144	Tringali, Antonio ..	306 Chapel-street, Prahran ..	Employee from Principal ..	18.1.60
4114	Turner, Henry Mathew ..	41 Napier-street, Footscray ..	Principal from Nominated Principal	4.11.60
14513	Tuttleby, Janice Lorraine ..	Old Sale-road, West Drouin ..	Employee from Nominated Principal	14.10.60
10269	Tyack, Thomas William ..	694 Burwood-road, Hawthorn ..	Employee from Nominated Principal	27.6.60
7367	Tyrrrell, Shirley Margaret ..	37 Swanston-street, Melbourne ..	Principal from Nominated Principal	5.4.60
5054	Uhlhorn, Harry ..	109 Regent-street, West Newport ..	Principal from Employee ..	20.10.60
14667	Urscheler, Sybil ..	24 Vunabere-avenue, Bentleigh ..	Teacher from Employee ..	20.10.60
14717	Valenti, Paolo ..	5 Marion-avenue, West Brunswick ..	Nominated Principal from Employee	21.3.60
12508	Valenti, Salvatore ..	834 Sydney-road, North Coburg ..	Principal from Employee ..	15.8.60
12508	Valenti, Salvatore ..	15 Marian-avenue, West Brunswick ..	Employee from Principal ..	15.7.60
12115	Valentino, Giuseppe ..	742 Drummond-street, Carlton ..	Employee from Principal ..	8.6.60
14174	Van Der Zee, Redzert ..	143 Burke-road, East Malvern ..	Principal from Employee ..	3.2.60
15424	Velkov, Anna ..	Lot 8, Glenola-road, West Sunshine ..	Principal from Employee ..	17.11.60
14588	Versace, Claudia ..	730 Sydney-road, Brunswick ..	Principal from Employee ..	26.2.60
14175	Veto, Maria ..	97 Greville-street, Prahran ..	Principal from Employee ..	23.2.60
14849	Veal, Rhonda Gertrude ..	277 Sommerville-road, Kingville ..	Nominated Principal from Employee	14.4.60
15425	Voce, Giuseppina ..	14 Walsgott-street, North Geelong ..	Principal from Employee ..	25.11.60
6331	Wachman, Nancy ..	362 Carlisle-street, St. Kilda ..	Employee from Principal ..	22.2.60
2569	Walker, Arthur Robert ..	135 Normanby-avenue, Thornbury ..	Employee from Principal ..	29.3.60
13872	Walker, Susanne ..	Centroway, Yallourn ..	Principal from Employee ..	8.6.60
15241	Walsh, Kerrin Veronica ..	76a Charles-street, Seddon ..	Principal from Employee ..	8.11.60
10049	Walters, Norma ..	85 Bridge-street, Eltham ..	Principal from Employee ..	9.2.60
14956	Warby, Althea Constance ..	139 Lower Heidelberg-road, Ivanhoe ..	Principal from Employee ..	4.11.60
992	Watson, Albert ..	8 Rupert-street, Newport ..	Employee from Principal ..	26.1.60
9144	Waugh, Margaret ..	22 Beckett-street, Balwyn ..	Employee from Principal ..	4.2.60
11191	Webb, Kathleen Mary Ann ..	4 Kimberley-street, St. Arnaud ..	Employee from Nominated Principal	29.11.60
7556	Webb, William Augustus ..	5 Foy-avenue, Chelsea ..	Employee from Principal ..	15.3.60
12004	Webster, Faye ..	2 Main-street, Blackburn ..	Principal from Employee ..	26.4.60
14718	Weire, Carol ..	Main-street, Romsey ..	Principal from Employee ..	23.5.60
7665	Welch, Marcia Clarice ..	Lonsdale-street, Dandenong ..	Nominated Principal from Employee	14.4.60
10941	Werrelman, Harry ..	1 Alfred-grove, North Clayton ..	Nominated Principal from Employee	3.5.60
11779	Wharton, Lorraine ..	117 Collins-street, Melbourne ..	Employee from Principal ..	19.9.60
13825	Wharton, Marce ..	323 Bell-street, Pascoe Vale ..	Principal from Employee ..	17.12.60
71	Wheller, Frederick James ..	176 Tennyson-street, Elwood ..	Employee from Principal ..	17.12.60
14082	White, Dorothy May ..	1 Olive-street, Wangaratta ..	Principal from Employee ..	20.10.60
14661	White, Elsie ..	68 Maling-road, Canterbury ..	Principal from Employee ..	8.1.60
8294	White, John Sullivan ..	3 Bevan-street, Balwyn ..	Employee from Principal ..	19.9.60
6935	White, Margaret Helen ..	321 Koornang-road, Carnegie ..	Principal from Employee ..	14.10.60
13631	White, Norman Owen ..	68 Maling-road, Canterbury ..	Employee from Principal ..	8.1.60
11079	Whiteway, Kevin Walter ..	417 Bell-street, South Pascoe Vale ..	Principal from Employee ..	23.8.60
6858	Whitley, Douglas ..	45 Kitchener-street, Deepdene ..	Employee from Principal ..	28.1.60
14814	Whyte, Faye Beverley Lea ..	Maude-street, Shepparton ..	Principal from Employee ..	8.11.60
13071	Wiles, Frances ..	49 Burrawong-avenue, Carrum ..	Employee from Principal ..	15.3.60
14804	Wilkinson, Gwenda ..	415 Church-street, Richmond ..	Nominated Principal from Employee	24.3.60
2899	Williams, Lindsay ..	632 Spencer-street, West Melbourne ..	Employee from Principal ..	27.5.60
14719	Wilson, Scolie ..	4 Vasey-street, Ascot Vale ..	Nominated Principal from Employee	3.5.60
14719	Wilson, Scolie ..	4 Vasey-street, Ascot Vale ..	Employee from Nominated Principal	26.7.60
7095	Wilson, Sherlea ..	6 Kitchener-street, Mentone ..	Employee from Principal ..	1.3.60
5872	Wilson, Thomas Russell ..	353 Inkerman-street, East St. Kilda ..	Principal from Nominated Principal	26.2.60
14204	Wind, Helga ..	409 Nepean Highway, North Brighton ..	Principal from Employee ..	16.5.60
15023	Wink, Franz Josef ..	Shaws-arcade, Moe ..	Principal from Employee ..	8.6.60
13588	Winstanley, Lorna ..	558 Paine-street, Albury ..	Principal from Employee ..	1.3.60
12248	Winzong, Helene ..	18 Verdun-street, Maidstone ..	Principal from Nominated Principal	23.8.60
12312	Wise, John Edward ..	Luban-square, Norlane ..	Principal from Employee ..	23.8.60
14133	Woodhouse, Gabrielle ..	24 Guest-road, South Oakleigh ..	Principal from Employee ..	14.10.60
13692	Wojciejowski, Austra ..	86 Main-street, Ballarat ..	Principal from Employee ..	9.5.60
10793	Worner, Hazel Gladys ..	111 Boundary-road, Kerang ..	Principal from Employee ..	14.10.60
3691	Young, George ..	56 Landcox-street, East Brighton ..	Employee from Principal ..	19.1.60
13698	Zarebski, Stefan ..	264 Montague-street, South Melbourne ..	Principal from Nominated Principal	8.6.60

LIST OF CHANGES OF ADDRESSES.

Certificate No.	Name.	New Address.
12624	Adam, Anton ..	303 Napier-street, Strathmore
12175	Adamidis, Haralampos ..	189 Lonsdale-street, Melbourne
9749	Adamson, Dorothy Anne ..	88 Nicholson-street, Newtown, Geelong
14821	Ahimastos, Haralampos ..	Commercial-road, Morwell
13455	Aktipis, George ..	2 Hope-street, Brunswick

LIST OF CHANGES OF ADDRESSES—continued.

Certificate No.	Name.	New Address.
14854	Alack, Dulcie Muriel	203 Glenferrie-road, Malvern
14575	Aldag, Heinz	13 Ellesmere-road, Windsor
14355	Alfris, Elaine Helen	162 High-street, Ashburton
4854	Alkomade, Myra	19 Vernon-street, Kingsville
13633	Allan, George Thomas	101 Commercial-road, Korrumburra
14035	Allan, Rosemary	374 Myers-street, East Geelong
10796	Amarant, Gavan Joseph	212 Broadway, Reservoir
11968	Amiet, Yvonne Mary	Melbourne-road, Creswick
14674	Anderson, Lynette Alwyn	Standish-street, Myrtleford
11723	Andrewartha, Barbara Anne	203 Queen-street, Melbourne
13949	Andrews, Beryl Veronica	92 North-road, Oakleigh
15314	Appleton, Judith Olive Louise	559 Bulture-street, East Brisbane
12626	Armato, Saviour	4 Fuller-street, Essendon
12221	Armocida, Vincenzo	320 Swan-street, Burnley
13193	Arnold, Dorothy	51 McIntosh-street, Airport West
7607	Arnold, Joyce Margaret	65 Ilex-street, Red Cliffs
15046	Arvia, Elizabeth Eve	15A Brighton-road, St. Kilda
14358	Austin, Mary	68 Ramsay-street, Rochester
15302	Baggio, Santina	670 Sydney-road, Brunswick
12611	Bailey, Brenda Shirley	31 Marianne-way, Doncaster
13634	Baker, Allan Frederick	Main-street, Goroke
12486	Baldry, Gweneth May	Lot 78, Green-street, Noble Park
14136	Baldwin, Wendy Carole	12 Baxter-street, Elsternwick
14976	Barbante, Nella Sebastiana	41 Market-road, Werribee
12289	Barkas, Nada Louise	Nhill State School, Nhill
12693	Barker, John William	501 Centre-road, Bentleigh
11795	Barry, Janice	83 Paxton-street, East Malvern
13886	Bartels, Elizabeth Anne	130 Ormond-road, East Geelong
14303	Bastow, Laurice Vecosa	239 Balaclava-road, Caulfield
8565	Bates, Dianna Betty	94 Hampshire-road, Sunshine
8940	Batten, Edward Leslie	Punt-road, Sale
12021	Baxter, Glenyce Elaine	26 Park-street, Tatura
12556	Bell, Coral Alice Mary	240A Glen Eira-road, Ripponlea
12176	Bellini, Santino	29 Leeds-street, Footscray
8593	Bence, Audrey M.	9 Norwood-street, Herne Hill
13593	Benditz, Thea	12 Church-street, Middle Brighton
10007	Benson, Elizabeth Isobel	7 Norfolk-street, Blackburn
10327	Bentley, Pamela Joy	10 Finlayson-street, Forest Hill
14700	Bergami, Marta	13 Sun-crescent, Sunshine
13459	Bernat, Eva	55 Hotham-street, St. Kilda
6718	Berrill, Phyllis	18 Cobham-street, Cheltenham
11481	Berry, Cecily	23 Spencer-street, Essendon
14222	Besley, Ronald Leo	118 Main-street, Bairnsdale
1105	Best, Myrza Kathleen	155 Cecil-street, South Melbourne
12818	Beukman, Jacqueline	10 Maribyrnong-road, Moonee Ponds
12775	Bialowas, Olga	121 Little Smith-street, Footscray
13889	Biasone, Nina	80 Lygon-street, East Brunswick
14546	Billsion, Brenda	121 Were-street, Brighton
13826	Birtles, Elaine Joyce	Lot 3, Cambridge-road, Montrose
13556	Bishop, Marcia Lorraine	48 Melville-road, West Brunswick
12007	Blainey, Roberta	625-623 Main-road, Belgrave
15258	Blair, Faye Lynette	35A Langtree-avenue, Mildura
10438	Blenkiron, Joan Helen	59 Westminster-street, Oakleigh
10974	Bond, Mary Denise	40 Mitchell-street, Bairnsdale
14680	Bonnici, Santo	775 Glenferrie-road, Glenferrie
15259	Botten, Joyce Thelma	Centreway, Yallourn
10080	Boorer, Barbara	7 Withers-street, Sunshine
13399	Boschen, Lorraine Judith	317 Collins-street, Melbourne
10424	Bostock, Joy Marie	50 Gareth-avenue, Beaumaris
7170	Botica, Lorraine Marie	84 Railway-place, Williamstown
12119	Bourehier, Joan	27 Edgevale-road, Kew
8254	Bowles, Yvonne	262 Hawthorn-road, Caulfield
12282	Bowyer, Alma Joan	29 Anderson-street, Lilydale
3395	Brady, Phillip James	108 Errard-street, South Ballarat
9854	Brasch, Agnes Maud	7 Desmond-road, Highett
13596	Brauer, Vera	221 Douglas-parade, Newport
12824	Briggs, Dorothy	22 Rout-street, Bulleen
441	Broadbent, James Maxwell	10 Chomley-avenue, Wangaratta
12509	Brensegeest, Johanna	160 McKinnon-road, McKinnon
2167	Brown, Freda Margaret	30 Miller-street, West Preston
13482	Brown, Janice	Nepean Highway, Mornington
13637	Brown, Joy Ada	16 Agg-street, Newport
7331	Brown, Margaret Frances	3 Waratah-crescent, Blackburn
7317	Brown, Patricia Mavis	2 Olsen-place, Broadmeadows
7467	Brown, William Alexander	Station-street, Lower Ferntree Gully
12453	Bryant, Barbara Eileen	247 Richardson-street, Middle Park
14838	Bryant, Noela	110 Roseberry-street, Ascot Vale
11322	Bugiada, Angelo	91 Clarendon-street, Thornbury
9843	Bull, Judith May	20 Richards-street, Kyabram
6347	Burgoyne, Frank Lloyd	45 Mernda-avenue, Carrum
14742	Burke, Faye Lorraine	79 Lloyd-street, Dimboola
3603	Burke, Jean	1 Eumeralla-road, South Caulfield
15505	Busch, Brigitta	Follett-street, Cheltenham
13639	Butler, Fay Deanna	34 Mackie-street, Wangaratta
2451	Butler, Ronald Herbert	10 Westbrook-street, Chadstone
1749	Butler, Rosalind	15 Barnes-street, Stawell

LIST OF CHANGES OF ADDRESSES—continued.

Certificate No.	Name.	New Address.
9232	Cahill, Teresa Ellen	252 Mount Alexander-road, Ascot Vale
14748	Calder, Wilma Betty	180 McKillop-street, Geelong
3418	Caldwell, Carmelina	8 Kilsyth-avenue, Toorak
4511	Cameron, Donald Alexander	17 Richardson-street, Brunswick
10570	Cameron, Marjorie	7 Elgin-road, Maryborough
13599	Camu, Coralynne	Hastings-road, Somerville
13641	Cannon, Elizabeth	Watsonia-road, Glen Waverley
12455	Carey, Noelene Margaret	118 Chandler-road, Noble Park
12132	Carrick, James Alan	42 Park-road, Airport West
2491	Carroll, Sylvester Francis	Flat 2, Portal-street, Ascot Vale
15263	Carroll, Wynifred Ethel Anne	Broadway, Wycheproof
13835	Carter, Janice	Box 2, Daylesford
8113	Carter, Kitty	92 Whitehorse-road, Ringwood
15314	Case, Faye Lorraine	591 Station-street, Box Hill
14662	Cashmere, Fay Isabel	310 North-road, Brighton
14683	Cattanach, Rachel	27 Birmingham-street, Yarraville
12695	Chapman, Norma Ann	35 Kellest-street, Northcote
6304	Chipperfield, Nancy	9 Station-street, Mitcham
14020	Christie, Norma Mavis	1 Aliman-court, Elwood
12898	Ciorciari, Arnaldo	87 Cardigan-street, Carlton
13837	Ciravolo, Carmelo	37 Story-road, Reservoir
14825	Clappis, Elisa	173 East Boundary-road, East Brighton
12008	Clarke, Allyson June	16 Rushall-crescent, Clifton Hill
8946	Clarke, Beryl	36 Emerald-street, West Essendon
9147	Clarke, Dorothea	21 Connell-road, Oakleigh
10177	Clarke, Elizabeth Mary	135 Canterbury-road, Canterbury
15059	Cleeland, Beverley	248 Graham-street, Port Melbourne
11589	Clements, Betty Winifred	29 Ryan-street, East Brunswick
8107	Clucas, Rowland Thomas	156 Murray-street, Finley
10468	Coates, Margery Florence	10 Daours-street, Watsonia
10848	Cobden, Evelyn	17 Bruce-street, Mitcham
11145	Cocca, Angelo	25 Woolacott-street, Coburg
12899	Cociani, Marino	33 Wilkins-street, Yarraville
12715	Colville, Leon James	279 Abbotsford-street, North Melbourne
3891	Condor, Gordon Rupert Martin	12 Norindale-road, East Bentleigh
238	Connell, James	349 High-street, Northcote
14671	Connolly, Gail Patricia	48 Commercial-road, Prahran
7652	Connors, John Francis	9 Zenith-street, Pascoe Vale
2550	Conroy, Marie Agnes	1074 Burke-road, North Balwyn
8815	Conroy, Mathew Francis	Walkers-arcade, Coburg
11176	Cook, Barbara Ann	Dalmore Park, Ferntree Gully-road, Scoresby
6287	Cook, Dorothy May	13 Hornby-street, Beaumaris
14685	Cook, Joan Margaret	56 Hesse-street, Queenscliff
6321	Cook, Joyce	"The Gums", via Casterton
9500	Corridon, Frances Hilda	24 Leskoll-avenue, Mitcham
13087	Costanzo, Sebastiano	Tallambra
15329	Coulthurst, Heddy	149 Kilby-road, East Kew
8995	Coussins, Henry William	1 Finlayson-street, Forest Hill
14628	Coward, Margaret Jean	10 Armstrong-street, North Ballarat
8456	Cram, Henry John	1 Alfreda-street, St. Albans
8158	Crane, Lois May	1A Hillside-crescent, Blackburn
7380	Cranston, Thelma Lorraine	58 Glenroy-road, Glenroy
13722	Crawford, Peter Malcolm	363 Benconsfield-parade, St. Kilda
5025	Cremien, David Lawrence	33 Ian-street, Noble Park
1483	Crimmins, Ewan	14 Myalla-street, Braybrook
1663	Crooks, George Thorneycroft Matthew	9 Meadow-street, East St. Kilda
13180	Crosbie, William	79 Commercial-street, Merbein
9033	Cross, Lorraine Irene	131 Union-road, Ascot Vale
13003	Crossley, Lola Elizabeth	1 Bartlett-street, Colac
13542	Cudmore, Moya Grace	174 Heidelberg-road, Ivanhoe
7023	Cully, Hannah Teresa	2 Orchard-street, Coburg
11798	Cumming, Faye	48 Denver-street, East Bentleigh
6948	Curtin, Allan Christopher	57 Napoleon-street, North Footscray
866	Curtin, Christopher	284 Ballarat-road, Braybrook
12227	Dabrowski, Joseph	19 Charles-street, Elsternwick
14365	Dalman, Carmen	74 Tennyson-street, Elwood
9309	D'Angelo, Angelo	213 Carlisle-street, St. Kilda
12134	Daniell, William Thomas	516 Lygon-street, East Brunswick
6467	Davidson, Edith Jessie	30 Sackville-street, Port Fairy
9113	Davidson, Margaret	7 North-western Highway, St. Arnaud
13410	Davidson, Pamela Joy	201 Heatherston-road, Noble Park
14364	Davidson, Pamela Anne	Melva-street, East Bentleigh
12968	Davies, Valmai Joy	72 Hornsby Park, Mildura
12462	Davis, Arthur	9 Lae-street, West Heidelberg
11440	Day, Loris	Forest Commission, East Warburton
13724	Daye, Marilyn Emily	2 Newcastle-street, Thornbury
11213	De Felice, Trento	46 Bridge-road, Richmond
344	Degner, Herbert Frank	877 Canterbury-road, Box Hill South
10476	Delaney, Elaine Francis	16 Canterbury-road, Oakleigh
10807	Delaney, Rayma Noelle	105 Liebig-street, Warrnambool
12357	Delost, Enid	Hamilton-street, Colac
12958	Deneish, Valerie	13 Lloyd-street, North Balwyn
12568	De Luca, Judith Ann	149 Thomas-street, East Brighton
9510	Dennis, Irene	6 Victoria-crescent, St. Albans
14043	De Petro, Mario	9 Dear-street, Coburg
11724	Deppeler, Delma Lorraine	24 Robeson-street, West Preston

LIST OF CHANGES OF ADDRESSES—continued.

Certificate No.	Name.	New Address.
12463	De Thomasis, Antonio	129 Lennox-street, North Richmond
10047	Dettmer, Gweneth Isabel	890 North-road, East Ormond
12464	De Vink, Elsie	Main-street, Drouin
14839	Diamante, Anna	28 Johnston-street, Keon Park
9145	Dibble, Dora	17 Mariemont-avenue, Beaumaris
8989	Dibble, Frank Jesse	17 Mariemont-avenue, Beaumaris
8166	Dickson, Valma Gladys	Federal-street, Rainbow
13513	Di Fabrizio, Domenico	Mareyong, via Blacktown
12719	Digney, Terry Albert	Point Nepean Highway, Rye
1769	Dillon, Noel	260 Gore-street, Fitzroy
12720	Dimopoulos, Chistoj	50A Long-street, South Yarra
13147	Di Muzio, Vittorio	6 Connelly-avenue, East Coburg
1090	Dineley, Horace	Main-road, Wesburn
13040	Di Stefano, Rosetta	160 McKinnon-road, McKinnon
11229	Diston, Allison	Boronia-road, Vermont
11058	Ditchburn, Dorothy Tossie	7 Fletcher-street, Forest Hill
14186	Dix, Aileen Margaret	86 Railway-street, Altona
8839	Dixon, John Malcolm	180 Murray-street, Colac
11165	Doensen, Josephus Frederick	20A Wellington-street, St. Kilda
14045	Donati, Dolvolò	2 Olsen-place, Broadmeadows
12621	Donne, Sydney	310 Flinders-street, Melbourne
11748	Donnett, James Ian	Boolaro-avenue, Newborough
5810	Dore, Margaret Yvonne	8 Countess-street, East Ascirch
15068	Doria, Antonietta	405 Brunswick-street, Fitzroy
12722	Dornom, Lynette	97 Hotham-street, East St. Kilda
12635	Douglas, Errol Mary	124 The Boulevard, West Essendon
13787	Douglas, Lesley	679 High-street, East Kew
13205	Dow, Shirley	23 Mitchell-street, Bairnsdale
7228	Downing, Janet	29 Diamond-street, Niddrie
9243	Doyle, Beverly Roberta	Standish-street, Myrtleford
8951	Doyle, Kathleen	4 Downes-avenue, Brighton
8160	Drage, Lynette Elise	28½ Elgar-road, Box Hill South
13992	Draggonetti, Ezio	58 Gilbert-road, West Preston
10337	Drake, Joy Margaret	21 Nokes-court, Montmorency
13361	Drier, Doreen June	14 Vickers-street, Ballarat
3896	Du Be', Kathlyn Grace	Martin-place, Glen Waverley
10373	Duble, Salvatore	20 Gladstone-street, East Coburg
12083	Dudek, Oskar	8 Milton-street, McLeod
10929	Dugdale, Dorothy May	86 Wattle-road, Hawthorn
13882	Duncan, Jill Ann	687 Nicholson-street, North Carlton
7115	Dunne, Herbert Colin	14A Pascoe-street, Pascoe Vale
8257	Dunstan, Claire Dorey	Bailey-road, Mt. Evelyn
13135	Duro, Leonard	378A Mitcham-road, Mitcham
9184	Dyer, Betty	79 Oak-street, Beaumaris
14686	Easton, Dorothy	Royal Arcade, Bourke-street, Melbourne
7421	Eddy, Phyllis Mary	New Guinea
826	Eden, Joseph Albert	19 Station-street, Malvern
6387	Edis, Edward John	Lot 114, Illuka-crescent, Mount Waverley
8639	Edwards, Gweneth Mary	High-street, Broadford
3535	Edwards, Kenneth McKenzie	22 Autumn-place, Doveton
124	Egan, Dorothea Phyllis	114 Bridge-road, Richmond
13413	Egan, John Andrew	114 Bridge-road, Richmond
13204	Elliott, Helen Lorraine	6 Chelsea-road, Chelsea
15319	Elliott, Kaye	163 Union-road, Surrey Hills
11678	Elliott, Phyllis Ruth	690 High-street, East Kew
9165	Ellis, Betty Jean	310 Albion-street, West Brunswick
6689	Ellis, Cathleen M.	40 McNally-street, Yarrowonga
2621	Ely, Claude	525 Middleborough-road, Box Hill
12135	Emery, Glenyce Joan	Montrose-road, Montrose
8894	England, Valerie Joyce	37 Pynsent-street, Horsham
10340	Enright, Jannette	1 Grey-street, St. Kilda
12502	Essa, Tanous	808 Glenferrie-road, Hawthorn
9347	Evesson, Josephine	5 Charles-street, Greensborough
14475	Falle, Rachel	33 Peel-street, Windsor
10899	Faranda, Giuseppe	56 Yarra-street, Geelong
12268	Farrar, Una Mary	17 Alma-road, Essendon
9995	Farrugia, Paul	194 Droop-street, Footscray
1866	Fawcett, Arthur Leslie	793 Heidelberg-road, Alphington
12660	Fekete, Margareta	254 Dandenong-road, East St. Kilda
14142	Ferguson, Leslie John	15 Alvena-street, Heathmont
14143	Fielding, Pamela Ann	56 Fraser-street, Niddrie
9423	Finkelstein, Harry	787 High-street, Thornbury
14189	Fischer, Renate	16 Murphy-grove, East Preston
13467	Fiscaro, Carmelo	27 Victoria-street, Coburg
7217	Fitch, Dorothy Grace	46 Woodville-street, North Balwya
10970	Fitch, June Elizabeth	1 Henley-drive, Glen Waverley
12155	Fitton, James Norman	36 Koornang-road, Carnegie
7071	Flegg, Eileen Rose	Northbourne-avenue, Canberra
7484	Fleming, Olive May	108 Victoria-parade, East Melbourne
11592	Fonti, Gaetano	223A Chapel-street, Prahran
13400	Forbes, Eunice	Botany-court, Clayton
14890	Forbes, Yvonne	70 Wellington-street, Kerang
11737	Ford, Paul Arnold	Goornong

LIST OF CHANGES OF ADDRESSES—*continued.*

Certificate No.	Name.	New Address.
13076	Foteos, Iatrou	360 Chapel-street, South Yarra
14805	Fotter, Charles	103 Raglan-street, South Melbourne
5378	French, Faye	92 Whitehorse-road, Ringwood
13762	Fullarton, Janice Mirrian	336 Orrong-road, North Caulfield
10314	Fyander, George Francis	610 Balcombe-road, Black Rock
13371	Fysh, Eleanor, Mary	316 St. Kilda-street, Middle Brighton
6003	Gahan, Shirley Veronica	48 Stawell-street, Kew
10224	Gall, Irene	23 Guild-street, Seymour
9860	Ganem, Catherine Lucylle	Warrawee-avenue, Norlane
11928	Gannon, John Michael	Central Arcade, Murray-street, Colac
15201	Geleynse, Martha Johanna Elizabeth	40 Loughan-road, Ringwood
8344	Gell, Lionel W.	132 Russell-street, Melbourne
4991	Gemelli, Vladimir	52 Droop-street, Footscray
12469	Giampiccolo, Francesco	13 Provost-street, South Melbourne
12639	Giaquinta, Gaetano	502 Bridge-road, Richmond
12760	Gietelink, Josina	190 Ryrrie-street, Geelong
10755	Gilio, Vincenzo	52 Droop-street, Footscray
14051	Gladman, Gillian Lynette	28 Evelina-road, Toorak
10185	Goldberg, Israel	2 City-road, South Melbourne
12666	Golledge, Stanley	8 Walsh-street, Fawkner
10186	Goodall, Patricia	Lake-street, Lake Bolac
6890	Goode, Jessie Adeline	24 Cuthbert-street, Niddrie
11260	Gordon, Annette	27 Warnes-road, Mitcham
9628	Gordon, Wanda Mary	Hartington-street, Glenroy
8015	Gormley, Moya	22 Middleton-street, Lalor
8388	Govan, Allan Robert	37 Cumberland-road, Pascoe Vale
10234	Graham, Elaine Patricia	2 Leon-avenue, Rosanna
14211	Grau, William	37 Swanston-street, Melbourne
13733	Gravestain, Lodewuk	230 Collins-street, Melbourne
13470	Gray, Brian	617 Brunswick-street, North Fitzroy
12017	Gray, Phyllis Vieuzeux	Bay View-road, Officer
14754	Gray, Rosemary	110 Curlewis-street, Swan Hill
6973	Gray, Winsome	352 Toorak-road, Burwood
14316	Green Carmel	High-street, Heathcote
13247	Green, Janet	Coulson-road, Monbulk
14298	Green, Norma	125 Ryrrie-street, Geelong
13027	Green, Roy Adolphe	219 Station-street, Edithvale
12019	Green, Sheila Cecilia	Offington-street, St. Kilda
8168	Green, Ula	297 The Broadway, Reservoir
13208	Greenhalgh, Coral	Lot 345, Louise-street, Heidelberg
13649	Greer, Laurie	12 Rochester-road, Canterbury
15207	Greiner, Noel Jennifer	Mangan-street, Tongala
13418	Griffin, Mariene Ivy	55 Cunningham-street, Sale
668	Grimmett, Lorenzo Frederick	41 Russell-place, Williamstown
9993	Grinwade, Viti	43 Hunter-street, Greenslopes, Brisbane
11905	Groves, Pamela Minerva	Flat 4, 37 Eildon-road, St. Kilda
15208	Guardabascio, Vito	404 Sydney-road, Brunswick
15077	Guest, Joy	498 Highett-road, Highett
12834	Guillot, Darryl James	Shop 3, Bay-street, Frankston
1815	Hackett, Grace	30 Belmont-avenue, Upwey
12790	Hackett, Judith	30 Belmont-avenue, Upwey
9679	Hagg, Laurie	Maudon-street, Keilor
15355	Hain, Nina	101 Springvale-road, Springvale
13651	Hall, Judith Anne	24 Douglas-avenue, Chelsea
9217	Halsell, Ida Lynette	108A Drummond-street, Ballarat
13957	Hamdorf, Fairies Ann	31 Clark-street, Hamilton
13382	Hamid, Edna Mae	17 Archer-avenue, Ascot Vale
11279	Hamilton, Joy Francis	Willa-road, Seaford
14601	Hampton, Geoffrey Keith	41 Ferguson-street, Williamstown
11368	Hancock, Patricia Beverley	70 Kooyong-road, Caulfield
3509	Hancock, William	36 Nolan-street, Maryborough
1058	Hanlon, Iris	Lot 36, Meryl-street, East Doncaster
13767	Hardy, Barbara Joy	Government-road, Ferny Creek
13914	Harrigan, Denise Mary	1031 Doncaster-road, East Doncaster
6099	Harrington, Ellie Winifred	80 Chapel-street, St. Kilda
15080	Harris, Gloria	91-99 Nepean Highway, Moorabbin
12575	Harris, Joyce	7 Jackson-street, Maidstone
9127	Harris, Joy Evelyn	96 Liston-avenue, Keon Park
11688	Harrison, Loretta	29 Bamra-road, Caulfield
8830	Hasnip, June Elizabeth	1 Arblaster-street, Eaglehawk
7348	Hatfield, Frank Leslie	16 Sheehans-road, Blackburn
12686	Haydar, Marina	32 Carlisle-street, St. Kilda
11251	Hayek, Leopold	6th Floor, Manchester Unity Building, Collins-street, City
7590	Heal, William James	23 Curtain-crescent, Dandenong
3904	Henderson, Christopher Oswald	75 Humfrey-street, East, Ballarat
14903	Henderson, Jean	68 Davidson-street, Deniliquin
7487	Henley, John Charles	Bank-street, Box Hill
10815	Henry, Victor Maxwell	28 Laveroch-road, Warrnambool
936	Henshall, Margaret Wayth	4 Central Court, Hartwell
11805	Henshaw, John William	13A Rosella-avenue, Boronia
12598	Henwood, Roma Beverley	School-lane, Ferny Creek
14904	Hernan, Wendy	579 Nunn-street, Benalla
8649	Heron, Ailsa Isabel	170 Main-street, Mornington

LIST OF CHANGES OF ADDRESSES—continued.

Certificate No.	Name.	New Address.
6486	Heron, Veronica	743 High-street, Armadale
8119	Heron, Ronald John	139 Puckle-street, Moonee Ponds
2689	Heron, William Bortullo	205 Beaconsfield-parade, Middle Park
13211	Herrick, Leone Amelia	393 Bay-street, Port Melbourne
13739	Hetherington, Meryll Elizabeth	155 Fairy-street, Warrnambool
14905	Hicks, Joy Maree	Muntz-street, Wangaratta
446	Higginbotham, William John Thomas	23 Martin-grove, Glen Iris
13768	Higgins, Betty Margaret	91 High-street, Kyneton
14103	Hill, Jennifer Margaret	19 Bramley-road, Robinvale
5582	Hill, Lorna Veronica	44 Hampton-street, Hampton
11690	Hill, Shirley	14 Lexia-street, Ashburton
6367	Hindley, Emmeline	10 Landcox-street, East Brighton
7264	Hislop, Annette	134 Dalgety-road, Beaumaris
6588	Hodge, Marcia Easton	8 Mitford-street, St. Kilda
14117	Hogan, Jill	Church-street, Keilor
14146	Holland, Lorretta Anne	1 Hill-street, Colac
13184	Honan, Noelle	Allies Hotel, Myers Flat, Bendigo
13153	Honey, Norma Isabel	7 Russell-street, Camberwell
6985	Hooper, Marion Marie	35 Queen-street, West Coburg
13735	Hooper, Wendy Elizabeth	15a Anderson-street, Templestowe
12473	Horvath, Johan	368 Victoria-street, North Richmond
11538	Hoskins, Beverley Joan	3 King-street, Blackburn
13653	House, Brian Lionel	301 Buckley-street, Essendon
10614	Houston, Mavis Jean	122 Roberts-street, Yarraville
14212	Howard, Shirley	16 Lae-street, West Footscray
793	Howie, Elizabeth	175 Canterbury-road, South Blackburn
8511	Hughes, Helen Louise	Turnbull-road and Fir-court, Mount Waverley
9914	Hughes, Joan Teresa	Pier-street, Altona
15209	Hughes, Rae	27 Hutton-street, Thornbury
6712	Humphrey, Valerie Evelyn	Repatriation Hospital, Heidelberg
13562	Hunter, Dorothy May	77 Military-road, Avondale Heights
12041	Huntington, Jill	5 Lorna-street, South Portland
9064	Hutchinson, George Thomas	369 Burwood-road, Glenferrie
12124	Ipsen, Ruth	31 Caringal-avenue, Doncaster
13736	Israelis, Antoniou	106 Sydney-road, Brunswick
12299	Irvine, Patricia Barbara	428 Dawson-street, Ballarat
13737	Ivacic, Ivan	10 Walsgott-street, North Geelong
13791	Jackson, Janette Mary	High-street, Yackandandah
6161	Jacobs, Jessie Norma	110 Dandenong-road, North Caulfield
13154	Jago, Beverley Joy	"Ilouka", Sale
12874	Jakovljevic, Ivan	Wells-arcade, Dandenong
9462	James, Norma	54 Ballard-street, West Yarraville
14991	Jankovic, Slavoljub	216 Gertrude-street, Fitzroy
13442	Janssen, Johannes M. A.	Wells-arcade, Dandenong
8380	Jebb, Reuben	19 Pickett-street, Footscray
15212	Jelo, Joseph	15a Brighton-road, St. Kilda
6577	Jensen, Malcolm	250 Jasper-road, McKinnon
7686	Jerrett, Frances	521 Glenferrie-road, Hawthorn
3715	Joekel, Peggy	592 Glenferrie-road, Hawthorn
14414	Johnson, Margaret Anne	44a Gaffney-street, Batman
13532	Johnson, Ivy Elaine	High-street, Bunyip
2518	Johnson, Reginald Robert	32 Sheoke-street, Doveton
3672	Jolly, Alfred Edward	174 Contour-road, Trafalgar
14605	Jolly, Lynette Margaret	41a Grantham-street, West Brunswick
14908	Jones, Marjorie Yvonne	75 Dunloe-avenue, North Box Hill
14914	Kalkandis, Peter	7a Ely-street, Wangaratta
13612	Kapiniari, Hariklie	77 York-street, West Richmond
12915	Katerelos, Stavros	1 Sylvander-street, North Balwyn
13903	Kawaja, Josephine	59 University-street, Carlton
12027	Kefalas, John	89 Nelson-road, South Melbourne
13443	Keilman, Karl Hans	364 South-road, Moorabbin
13847	Kellott, William Roy	1443 Malvern-road, Glen Iris
10697	Kelly, Beverley Margaret	3 Yorkshire-street, Blackburn
14527	Kenigsztayn, Mieczyslaw	58 Brighton-road, Elwood
13901	Kennedy, Jessie I.	122 Douglas-parade, Williamstown
6418	Kerr, Valda	128 Mount-road, Heidelberg
8155	Keys, Charles Andrew	2 Kerford-road, Wheelers Hills
13311	Kicinski, Franciszek	16 Ajax-street, Ballarat
2533	Kiely, Leonard John	319 Lygon-street, East Brunswick
14248	King, Betty	1822 Malvern-road, East Malvern
4108	Kirk, John	22 Spensley-street, Clifton Hill
12131	Kirkpatrick, Kevin Wilfred	389 Allan-street, Kyabram
14196	Knispel, Margot	72 Lake-road, Blackburn
12730	Koetsveld, Joan Beverley	102 McKean-street, Clifton Hill
13564	Kontek, Helena	13 Centre-road, Sunshine
11357	Kontek, John	13 Centre-road, Sunshine
13657	Kooter, John	Lot 60, Ireland-avenue, East Doncaster
4897	Kotros, Nick	135 Flemington-road, North Melbourne
13962	Kounna, Vito	1062 Glenhuntly-road, Glenhuntly
12731	Koutschera, Nicolas	155 Elgin-street, Carlton

LIST OF CHANGES OF ADDRESSES—continued.

Certificate No.	Name.	New Address.
13420	Kovac, Frank	278 High-street, Kew
14002	Kovac, Terezija	278 High-street, Kew
13615	Kuhn, Ellen	11 Karook-street, Cobram
10911	Kullay, Sandor Alexander	320 Clarendon-street, South Melbourne
13128	Lahana, Calliopi	40 Bell-street, Hawthorn
10237	Lalor, Margot June	35 Kent-street, Croydon
10552	Lambrini, Caessar Joseph	377 Bourke-street, Melbourne
9132	Langham, Gwenda Mary	Sutherland-avenue, Shepparton
8905	Laragy, Constance Edith	74 David-street, Hampton
10486	Larkin, Frederick Charles	Munty-street, Wangaratta
12648	Last, Patricia Mary	3A Burke-road, East Malvern
13514	Laurenttussen, Lene Koultter	742 Glenferrie-road, Glenferrie
10350	Lauria, Domenico	456 Canning-street, North Carlton
11907	Lavell, Elizabeth Joan	7 Wilson-street, Blackburn
11814	Le Busque, Thelma	4 Hampshire-road, Nunawading
13476	Lederer, Eva	25 Camberwell-road, Camberwell
13581	Le Favis, Rosario	9 Woolacott-street, Coburg
7961	Lescai, Marie	104 Eyre-street, Ballarat
4086	Leslie, Violet Lilian	7 Grand View-grove, Wendouree
9990	Lewis, Elizabeth Mary	Seville Post Office
11452	Licato, Salvatore	261 High-street, St. Kilda
11525	Lidgerwood, June	Devenish, Victoria
12425	Lilley, Helen Mary	45 Heyington-place, Toorak
9550	Lindemann, Zelvi	4 Lisabeth-street, McKinnon
4447	Lindsay, Arthur Leslie	55 Mitcham-street, Mitcham
6558	Linsky, Abraham	600 Station-street, North Carlton
1777	Linton, Alroy	326 St. Kilda-road, Melbourne
6172	Litchen, Mick	122 Lygon-street, Carlton
1745	Little, Philip Hayden	29 Range View-grove, North Balwyn
14348	Litwintow, Vlodimir	58 Green-street, Richmond
14558	Lodel, Guenther	491 Burwood-road, Hawthorn
9104	Logan, Phyllis Eileen	51 Palmerston-street, Maryborough
13902	Lo Licato, Sebastiano	139 Campbell-street, Swan Hill
10460	Longhurst, Ima June	Box 83, Portland
9388	Longley, Reginald	311 Keilor-road, Essendon
12480	Lord, Adele	10 Lynette-avenue, Beaumaris
14003	Luscombe, Frances	12 Osborne-street, South Yarra
13421	Lynch, Sandra Christine	48 Francis-street, Echuca
15322	McArthur, Janice	15A Tucker-road, Moorabbin
14918	McAughtrie, Thomas	51 Armadale-street, Armadale
8717	McArdle, Donald	920 Whitehorse-road, Box Hill
15218	McCoubrie, Beryl Jean	170B Moreland-road, Moreland
7891	McCulloch, Esma	118 Crittendon-road, Findon
12754	McDonald, Shirley May	60 Edinburgh-street, East Bentleigh
11604	McGinty, Raymond Patrick	608 Main-street, Mordialloc
1738	McInerney, Claude Mathew	61 Manningtree-road, Hawthorn
13984	McInerney, Jill Lorraine	3 High-street, Eaglehawk
13106	McInnes, Rita Elizabeth	17 Langridge-street, Middle Park
14296	McKay, Hazel Ruth	Evans-street, Sunbury
5437	McKellar, Barbara Neale	Flat 2, Park-street, St. Kilda
14478	McKenma, Robert Gordon	294 Highett-road, Highett
11959	McKenzie, Ronald Patrick	87 High-street, Terang
9697	McKinnon, Kevin Stanley	60 Mernda-avenue, Carrum
12484	McKnight, Raymond Arthur	5 Ilex-street, Red Cliffs
4567	McNabb, Jack	Flat 1, 38 Burke-road, East Malvern
11065	McNally, Patricia Margaret	28A Goodwood-street, Richmond
5679	McNamara, Patricia	1 Windermere-street, Blackburn
13770	McNaught, Kathleen Mary	Hopetoun-street, Rochester
1035	McNeice, Daisy	161A West Melbourne-road, Geelong
7502	McPherson, Joan	17 Ellendale-street, Oakleigh
13320	MacAskill, Joan Christine	5 Lanoy-road, Jacana
13799	Macris, Victoria	100 Johnston-street, Newport
9658	Madsen, Noela	8 Alden-court, Cheltenham
13322	Magee, Joyce Maureen	381 Chapel-street, South Yarra
14480	Mahon, Norma	11 Rodd-street, Dandenong
11235	Majoor, Johan Clemmens	3 Mermod-court, Traralgon
4095	Major, Sherlock	Flat 51, Scotch-parade, Bonbeach
14481	Makin, Carole	Flat 2, 157 Brighton-road, Elwood
6459	Manallack, William John	34 Wright-street, Albert Park
13323	Manganelli, Giuseppe	36 Munday-street, South Geelong
13052	Marchioli, Luigi	484 Macaulay-road, Kensington
13583	Markantonatos, Charalambos	97 Spensley-street, Clifton Hill
10576	Markby, Bruce Edwards	2 College-grove, Black Rock
7900	Marsham, Myrna Kathleen	124A Aberdeen-street, Geelong
6560	Martin, Albert Ray	2 City-road, South Melbourne
6703	Martin, Reginald Owen	1013 Main-road, East Doncaster
12796	Masciangelo, Ezio	247 Scotchmere-street, North Fitzroy
8882	Mason, Sam	17 Flinders-lane, Melbourne
10387	Mass, Berek	352 Clarendon-street, South Melbourne
7913	Mathnes, Paul	284 Elgar-road, Box Hill South
12059	Matthews, Sidney Victoria	25 Bowman-street, Mordialloc
14362	Mayfield, Claire Elizabeth	19 Hatton-street, Dandenong
7185	Meadows, Sylvia	38 Mansfield-street, Thornbury

LIST OF CHANGES OF ADDRESSES—continued.

Certificate No.	Name.	New Address.
12740	Meekin, Nola Maureen	6 Cobden-street, Highton
9512	Melverton, Gwendoline	184 Wilson-street, Colac
12797	Mercadante, Luigi	32 Percy-street, North Fitzroy
12819	Metherall, Marlene Ellen	35 Blair-street, Leongatha
6180	Meyer, Joan Evelyn	109 Wendouree-parade, Ballarat
13800	Mickle, Peter Darrell	Victoria-street, Bunbury
14589	Milicic, Ante	81 Queens-parade, Clifton Hill
9584	Miller, Hazel	Raleigh-road, Maribyrnong
9017	Miller, Joy Betty	15 Langland-street, Wangaratta
9855	Millington, Shirley Jean	Flinders Naval Depot, Flinders
9888	Mills, Leonard Edson	Main-street, East Pakenham
13665	Milsom, Olive Eileen	280 Clayton-road, Clayton
3428	Milward, Elsie Amelia	279 Wattletree-road, East Malvern
14205	Minc, Fiszal	65 Toorak-road, South Yarra
14927	Minc, Gela	65 Toorak-road, South Yarra
13908	Mirable, Maria	272 Sydney-road, Coburg
10536	Mitchell, Louise Kathleen	94 Edgevale-road, Kew
14562	Monk, Gerald William	134 Vladin-street, Sorrento
14531	Montano, Antonio	119 Victoria-street, East Ballarat
13485	Montschak, Teodor	128 Wellington-parade, West Melbourne
3195	Moon, Leslie	87 High-street, Terang
10074	Mooney, Richard	601 Dana-street, Ballarat
8229	Moore, Avon Margaret	45 Moony-road, Carnegie
12393	Moore, Elaine Jean	36 Tabot-road, Mount Waverley
12440	Moore, Paul George	2 Kenny-street, North Richmond
9545	Morgan, Dorothy Frances	20 Williams-road, Briar Hill
14259	Moroney, Nancy Josephine	146 Acland-street, St. Kilda
11499	Morrison, Jessie Elizabeth	477 Plenty-road, East Preston
14563	Morrison, Ronald	Mackay-street, Rochester
13670	Morrow, Patricia	Hill Side, via Bairnsdale
14347	Moss, Gail Elaine	125 Somerville-street, Bendigo
6571	Moss, George Palmer	805A Eyre-street, Ballarat
6071	Mottram, Ronald Alexander	30 Erikson-street, Springvale
11613	Muir, William	26 Chatham-road, Canterbury
9609	Mulkearns, Marie Beatrice	55 Mollison-street, Kyneton
8219	Mullins, Marjorie Isabel	George-street, Echuca
14926	Munday, Marlene	31 Monash-street, North Footscray
14421	Munro, Beverly Ann	178 High-street, Ashburton
14762	Murphy, Beverley Jean	128 Wills-street, Glen Iris
12419	Murray, Lynette	27 Belmore-road, Warrnambool
10580	Mustafa, Riffat	24-26 Flinders-lane, Melbourne
1098	Mutimer, Ruben Eric	131 Harold-street, Thornbury
1844	Nance, Constance Audrey	10 Lucy-street, Gardenvale
14219	Nathan, John Erik	292 William-road, Toorak
14928	Neatnici, Zarko	17 Flinders-lane, Melbourne
13967	Newell, Joan Lorraine	952 Glenhuntly-road, South Caulfield
8855	Newett, Merlyn Margaret	55 Hope-street, Brunswick
7239	Newsome, Patricia	50 Holmes-street, East Brunswick
14566	Nichols, John Patrick	Main-street, Goroke
139	Nicholson, Raymond	1062 High-street, Armadale
10434	Nielson, Marie Therese	Box 77, Post Office, Warragul
8949	Northam, Valerie	14 Wolsley-street, Moorabbin
8280	Norton, Lois Patricia	33 Longood-street, Altona
12761	Nuttall, Barbara Phyllis	15 Suffolk-road, North Sunshine
10475	O'Brien, Ann	13 Marie-avenue, Springvale
11425	O'Brien, Denis Lionel	518 Pascoe Vale-road, Pascoe Vale
10582	O'Brien, Kelvin John	66 Orlando-street, Hampton
14969	O'Connell, Margaret	48A Ballarat-road, Maidstone
13166	Oder, Ingeborg	556 Chapel-street, South Yarra
5181	O'Hare, Bernard	397 Post Office-place, Melbourne
7255	O'Keefe, Joseph William	338 Balcombe-road, Beaumaris
8823	O'Keefe, Marie	20 Ballard-avenue, Coburg
10028	O'Neill, Patricia	11 Parkstone-avenue, Pascoe Vale
11840	Opacak, Ivan	474 George-street, Fitzroy
7056	Orbell, Colin Francis	5 Hamilton-place, Mount Waverley
14585	Ormenyessy, Frances	Acland-street, St. Kilda
7750	Osbourne, Lionel John	15 Summer-street, Brunswick East
12617	Ostrogovach, Nada	7 Serpentine-street, Mont Albert
9310	O'Sullivan, Catherine	Turrumbete Weerite, via Camperdown
8553	Otter, Leslie William	125 Douglas-parade, Williamstown
11548	Otto, Helen Amelia	81 Downey-street, Alexandra
10709	Owen, Alma Maria	37 Dobson-avenue, Rosanna
2983	Owen, Walter Leslie	46 Embankment-grove, Chelsea
14156	Paduano, Filomena	160 Holden-street, North Fitzroy
12877	Paget, Joy Eileen	82 Wells-street, Frankston
14736	Paglia, Antonio	34 Park-place, South Yarra
13587	Palermo, Francesco	75 Harding-street, East Coburg
13619	Panagopoulos, Peter	7 Medley-street, South Yarra
11860	Panara, Rinaldo	132 Lygon-street, Carlton
12066	Pantaleo, Francesco	551 Brunswick-street, North Fitzroy

LIST OF CHANGES OF ADDRESSES—continued.

Certificate No.	Name.	New Address.
14327	Papadopoulos, Helen	151 Johnston-street, Collingwood
14704	Papai, Joseph	260-264 Como-parade, Parkdale
14567	Papapavlou, Pavlos	48 Tristaina-street, Doveton
11712	Papasavva, George	29 Ely-road, South Blackburn
13491	Papavasiliou, Niokolaos	17 Munro-street, West Brunswick
10307	Parris, Joan Margaret	30A Pentland-place, Seddon
14265	Passas, Nicolas	18 Napier-street, Fitzroy
13365	Patane, Giuseppe	22A Valetta-street, Malvern
13223	Paterson, Desley Gwen	154 Turpin-road, Southport, Queensland
14658	Patterson, Gweneth Clare	591 Station-street, Box Hill
10297	Peach, Nigel Johnston	9 Ferdinand-avenue, North Balwyn
12161	Peacock, Sidney Lawrence	2 Fletcher-street, Moorabbin
6678	Pearson, Iris	12 Kellett-grove, North Kew
4341	Pearson, William Roy	12 Kellett-grove, North Kew
12147	Peers, David Bruce	267 Springvale-road, Springvale
13445	Pellow, Judith Ann	"Morona", Robinson-road, Langwarren
13167	Pendlebury, Heather Ellen Gladys	Church-street, Middle Brighton
12493	Peppicelli, Rita	380 Rathdown-street, North Carlton
14707	Pernar, Mario	197 Swan-street, Richmond
8960	Perry, Evelyn	Haalam-street, Kyabram
11537	Peters, Johanna	Main-street, Bunyip
2363	Peterson, Christina Ann	274 Waverley-road, East Malvern
8686	Petroff, Betty	62 Barkers-road, Hawthorn
10622	Philippou, Alexander	131 Collins-street, Melbourne
9932	Phillips, Bernard Victor	8 Dorothy-street, Brunswick
12494	Phillips, Emanuel Edward	155 Powlett-street, East Melbourne
8111	Pierce, Valda Agnes	11 Northumberland-road, North Sunshine
12162	Pierce, Valda May	2 Alma-avenue, Lower Ferntree Gully
13948	Pipicella, Nicola	Bowering Buildings, Eighth-street, Mildura
3980	Plank, Ernest John	Torquay
5050	Polglase, John Henry	4 Bingo-street, East Preston
7675	Polson, Bettye Merle	5 Rogers-road, Moorabbin
14708	Pope, Rhonda	122 Robert-street, Kingsville
12339	Portelli, Vincent	30 Chapman-street, Glenroy
13858	Potter, Lois June	48 Leeds-street, Footscray
7432	Poulson, Isobell Florence	Station-street, Kyabram
353	Powell, John	1 Cramwell-avenue, Strathmore
12746	Prescott, Pauline Rose	22 McCartin-street, Leongatha
7589	Preston, Barbara	21 Winston-drive, South Caulfield
6109	Prosser, Dorothy Jean	43 Bradley-avenue, Thornbury
12340	Putrino, Salvatore	14 Alward-avenue, Clayton
12806	Puzzolo, Santo	8 Lowerland-road, Mentone
4600	Quirk, John Joseph	McMeakin-street, Whittlesea
10446	Radley, Leslie James	King George-street, Cohuna
11465	Radonov, Ziva	Gesmonde-street, Rushworth
9081	Rae, Agnes Vell Geddes	425 Whitehorse-road, Balwyn
10392	Rait, Belita McDonald	28 Donald-street, Mount Waverley
13911	Ralph, Hilda A.	Lot 4, Centre-road, East Clayton
12863	Ralph, Ronald Bruce	67 Best-street, North Fitzroy
5066	Ralston, Edna Rose	106 Cochrane-street, Gardenvale
10667	Ramanaukas, Antanes	51 Gilbank-street, Reservoir
31	Rankin, Morwell Oscar	75A Tucker-road, Moorabbin
14266	Raymond, Cynthia	10 Tutor-street, East Bentleigh
3953	Rayner, Alan Frank	171A Liebig-street, Warrnambool
9772	Razzouk, Abraham	178 Smith-street, Thornbury
10394	Razzouk, Ameon	178 Smith-street, Thornbury
14659	Read, Ronald Greame	5 Hamilton-place, Mount Waverley
14500	Rebula, Helena	23 Howard-avenue, Clayton
2090	Redmond, John Douglas	661 Centre-road, Bentleigh
11923	Redmond, William Gerald	53 The Avenue, Moreland
12930	Reeves, Aileen	25 Victoria-street, Dimboola
13861	Remzi, Salih	27 Peel-street, Windsor
3482	Reynolds, Rees	1295A Nepean Highway, Cheltenham
6711	Ricardo, Lillian May	Lot 18, Linden-street, Laverton
13116	Rice, Frances Cynthia	114 Buckley-street, Essendon
14767	Richards, Ronda Lynette	266 Hampshire-road, Sunshine
12694	Richards, Theresa Eleanor	58 Banyule-road, Rosanna
14816	Richardson, Freda Irene	65 Linda-crescent, Hawthorn
4747	Riley, Arthur	9 Langhorne-street, Dandenong
19865	Rintoule, Margaret Ray	28 Kinrade-street, Oakleigh
11070	Risch, Jakob	2 Keilor-road, North Essendon
6761	Risson, Joyce	287 Nepean Highway, Seaford
14392	Ritchie, Lesley Anne	168 Main-street, Bairnsdale
3411	Rixon, Stanley Keith	130 Rryrie-street, Geelong
13912	Rizzo, Filippo	Station-street, Lalor
3921	Roach, William Roy	4 Burwood-road, Burwood
8474	Roberts, Leila Elizabeth	533A Geelong-road, Brooklyn
7070	Roberts, Noel Rosalie	116 Hemming-street, West Dandenong
9466	Robertson, Norma Isobel	76 High-street, Echuca
8026	Robinson, Bernard	363 Springvale-road, Springvale
4129	Robinson, Richard John	213 Barker-street, Castlemaine
7050	Rodgers, Edmund	104 Clydale Park, Airport West
14938	Rodgers, Joan	20 Osborne-street, Traralgon

LIST OF CHANGES OF ADDRESSES—continued.

Certificate No.	Name.	New Address.
11186	Rogers, George Hector	137 Stewart-street, East Brunswick
10670	Romagnesi, Mario	118 Main-street, Bairnsdale
11576	Roonoy, Gaye Coleen	5 Doakin-street, East Malvern
11395	Rosic, Radivoje	214 Nicholson-street, Footscray
8370	Ross, Linda Isobel	" Fernbrook ", Loch
14074	Ross, Thelma M.	23 Oak-street, Bentleigh
3997	Rotherham, Wallace Mathew	479 Malvern-road, South Yarra
3571	Rowe, Archie	114 Dalmahoy-street, Bairnsdale
6741	Rowland, Bortram	Alsen-place, Broadmeadows
14798	Rowell, Rita Dawn	Cromie-street, Rupanyup
10878	Rubins, Margarita	451 Toorak-road, Burwood
12381	Russell, Yvonne Jean	34 Stewart-terrace, McLeod
5617	Ryan, Catherine Mary	10 Donald-street, Croydon
10713	Sadler, Aileen Margaret	41 Pepperell-avenue, Syndal
12932	Salvia, Antonio	56 Yarra-street, Geelong
14847	Salvo, Antonino	12 Exchange-arcade, Geelong
6359	Saunders, Mavis Hilda	108 River-street, Newport
13916	Scarpaci, Salvatore	47 Epsom-road, Kensington
8879	Scherwin, Manfred	61 Neville-street, Carnegie
13971	Scholler, Erike	271A High-street, Prahran
3813	Scott, Alexander Anthony	Koro Court, 70 Bailey-street, Horsham
13390	Scott, Beverley Joy	38 Challis-street, West Newport
8557	Scott, Carma Joan	61 Bracken-street, Altona
10729	Schwarze, Joyce Isobel May	8 Charles-street, Ascot Vale
13694	Seear, June Evelyne	Moonlight-street, Stawell
10052	Serong, Geraldine Mary	536 Malvern-road, Prahran
14011	Sheward, Johanna Eileen	118 Clayton-road, Clayton
10933	Shirley, Wilfred Forrest	5 Sussex-road, Caulfield
12211	Short, Helen Louise	24 Hankles-avenue, East Bentleigh
5457	Sigalas, June	239 Whitehorse-road, North Balwyn
14201	Sikos, Alexandros	109 George-street, Fitzroy
10165	Simmons, Geoffrey	42 Gwenda-avenue, Moorabbin
7341	Simmons, Patricia Judith	108 Cheddar-road West, Keon Park
3588	Simon, Albert Gordon	Lot 15, High Street-road, Glen Waverley
14619	Slattery, Yvonne Kathleen	116 Causeway, Canberra
15173	Slaviero, Diana	Rockman's Shopwell, Springvale-road, Springvale
7983	Smart, Arthur	157 Service-road, Moe
3429	Smith, Christina Mary	72 Mulla-street, Hampton
5180	Smith, Edward	51 Stanley-avenue, East Oakleigh
5860	Smith, Irene May	96 Roslyn-road, Belmont
414	Smith, James Kyle	1638 High-street, Glen Iris
9328	Smith, John Ross	527 Warrigal-road, Ashwood
10420	Smith, Marion Lyndon	550A Warrigal-road, Holmesglen
10350	Smith, Maureen Jean	10 Talra-avenue, Mildura
14090	Smith, Richard McDonald	131 Grant-street, Ballarat
10678	Smith, Ronald William	283 Victoria-road, Healesville
15174	Spence, Gail	Railway-avenue, Laverton
7041	Spencer, Esther Mary	37 Clarinda-road, Essendon
11973	Spencer, Janice Mary	8 Strachan-street, Hamilton
7010	Spiers, Nina	19 Miller-street, Bendigo
11740	Spunser, Kenneth Jack	Sorrento
13061	Stamatelos, John	16 Park-street, South Melbourne
8975	Stanley, Gwenda	7 Fitzroy-street, Kerang
8133	Stanton, Kevin	314 Queens-parade, Clifton Hill
9406	Stavrou, Asprosilia	267 Tooronga-road, Glen Iris
5101	Stein, Ernest John	169 Melbourne-road, North Geelong
10088	Stella, Patrice Marie	8 Amely-crescent, Reservoir
14332	Stepan, Rosa	93 Murphy-street, North Richmond
12166	Stokes, Patricia Margaret	Railway-terrace, Ouyen
4799	Stone, Anna Wilhelmina	373 Park-street, North Carlton
2868	Story, John Henry	Hunbada-avenue, Upwey
10082	Stranghen, Donald	767 Hawthorn-road, East Brighton
6182	Stubbs, Francis John	140 Koornang-road, Carnegie
7852	Summers, Joan Bygrove	4 Marine-avenue, St. Kilda
1904	Swaney, John Vincent	22 Burch-street, West Preston
13685	Swinton, Rita	28 Station-street, Ivanhoe
9937	Symes, Patricia	Park Foam-avenue, Pascoe Vale South
10109	Symes, Rae Frances	21 Carrier-street, Benalla
14571	Tadic, Bozidar	249 Brunswick-road, Brunswick
12880	Tarantino, Antonio	29 Leeds-street, Footscray
1373	Tarrant, George	119 Swanston-street, Melbourne
7532	Taylor, John Hopkins	5 Station Entrance, Mordialloc
1755	Taylor, Winifred Iris	McLachlan-street, Templestowe
6095	Temple, Naomi Felder	400 Middleborough-road, Blackburn
13602	Te Thomasis, Ida	276 Carlisle-street, Balaclava
9219	Terry, Ralph Henry	Lot 9, Centre-road, South Oakleigh
13433	Thain, Edwin Bond	145 Mentone-parade, Mentone
3260	Thomas, Myrtle	21 Austin-street, Bulleen
12032	Thompson, Elvanna Nanette	126 Melville-road, West Brunswick
11188	Thompson, Thirza Beatrice	14 Cheviot-road, Mount Waverley
13544	Thomson, Einar Barslund	33 Dennis-street, Colac
14275	Thomson, Inga	33 Dennis-street, Colac
5292	Thomson, Herbert Leslie	Allan-street, Kyabram

LIST OF CHANGES OF ADDRESSES—continued.

Certificate No.	Name.	New Address.
13687	Thornton, Henry	32 Croydon-road, Surrey Hills
5154	Throkeld, Hector Charles	567 Bourke-street, Melbourne
13921	Tinaro, Michele	24 Barnett-street, Kyneton
5753	Tivendale, Carolino Ruth	26 Wedge-street, Benalla
14739	Tobin, Bernice	561 Plenty-road, East Preston
1224	Toennies, Edward Albert	23 Golf Links-road, Glenroy
12254	Tom, Bertus	9 Merlyn-street, Merlynston
14015	Topor, Helen	17 Hutchinson-street, East Brunswick
3895	Traynor, Emma May	22 Charming-street, Moorabbin
14337	Trigili, Vincenzo	1 Moore-street, Coburg
12144	Tringali, Antonio	306 Chapel-street, Prahran
9579	Trovato, Antonio	Lot 18, Watt-street, Springvale
9580	Truman, John Henry	Morna-street, Lilydale
13923	Tsekouras, Vassilios	17 Charlotte-street, Richmond
13522	Turnbull, Barbara Merle	Lot 4, Oban-road, East Ringwood
3290	Turner, Arthur Winter	4 Venus-street, Caulfield South
11788	Turner, Eva Elaine	Lot 896, Tuppal-place, East Keilor
8178	Twitcheit, Henry	461 Mount Alexander-road, Moonee Ponds
9396	Twitt, Brian John	17 Iona-avenue, Belmont, Geelong
10269	Tyack, Thomas William	694 Burwood-road, Hawthorn
9239	Tyquin, Naonee Ellen	36 William-street, Greensborough
7367	Tyrell, Shirley Margaret	37 Swanston-street, Melbourne
13547	Tyson, Maureen Carol	61 Washington-street, Toorak
12665	Tzamalīs, Apostolis	38 Ivan-street, North Fitzroy
13507	Valenti, Antonio	477 Victoria-street, West Brunswick
12115	Valentino, Giuseppe	742 Drummond-street, North Carlton
12173	van Barneveld, Wilhelmina, Victorina	198 Orines-street, Traralgon
13446	van der Putte, Berna	129 Beach-road, Parkdale
14429	van der Reest, Tryntje	154 Aberdeen-street, Geelong
14174	van der Zee, Ridzert Hendrikus	143 Burke-road, East Malvern
14669	van Wynsen, Annemieke	12 Mosfield-avenue, Lower Ferntree Gully
14080	Vasiliabes, Theodoros	1 Lavidge-street, Hawthorn
14849	Veal, Rhonda Gertrude	277 Sommerville-road, Kingsville
13447	Vecchiet, Dorotea	20 Essex-street, Blackburn
15424	Volkov, Anna	Lot 8, Glengala-road, West Sunshine
14588	Versaco, Claudia	730 Sydney-road, Brunswick
14175	Veto, Maria	97 Greville-street, Prahran
15019	Vidal, Emmanwel	57 Christie-street, Deer Park
11402	Vimer, Nikola	10 Berwick-street, Brighton
13630	Vos, Jacobe	28 Orange-grove, Balaclava
13891	Walgers, Gloria June	48 Elphinstone-street, West Footscray
2569	Walker, Arthur Robert	135 Normanby-avenue, Thornbury
12535	Walker, Janette	Lot 23, Byrne-road, Bayswater
8616	Walker, Lorna Allison	341 Gillies-street, Wendouree
13872	Walker, Susanne	Centroway, Yallourn
14396	Waller, Lois Marion	19 Hopetoun-avenue, West Brunswick
13176	Walsh, Judith Veronica	254 Clarke-street, Northcote
15241	Walsh, Kerrin Veronica	76A Charles-street, Seddon
8512	Walton, Kathleen Barbara	Room 612, 6th Floor, Manchester Unity Building, Swanston-street, Melbourne
15299	Ware, Lola Frances	728 Plenty-road, East Preston
10937	Warhurst, Melva	Ballarat-road, Deer Park
8880	Wasserman, Woolf Barnet	1010 Glenhuntly-road, South Caulfield
15127	Watson, Antete Josephine	56 Charles-street, Kew
9521	Watson, Barbara Joan	9 Rosemary-road, Beaumaris
10722	Watson, Edna	4 Plumer-street, Croydon
2811	Watson, Florence Miria	3 Flower-street, Essendon
9144	Waugh, Margaret Rawlinson	22 Beckett-street, Balwyn
10964	Weaver, Valarie Wemyoo	Flat 2, 16 Gladstone-parade, Elsternwick
12004	Webster, Faye	2 Main-street, Blackburn
2474	Webster, George	11 Lonsdale-street, Melbourne
13126	Weddan, Hans	94 Powlett-street, East Melbourne
2540	Weir, Vivienne Winfield	20 Booth-street, Parkdale
14718	Weire, Carol	Main-street, Romsey
13357	Weiss, Sonja	45 Schivener-street, O'Connor A.C.T.
2156	Wellington, Myrtle Rose	131 Chomley-street, Windsor
10941	Worrelman, Harry Everhardus	99 Koornang-road, Carnegie
11779	Wharton, Lorraine	3rd Floor, 117 Collins-street, Melbourne
12939	Wheelwright, Christopher	192 Kogia-street, Mount Eliza
14661	White, Elsie	68 Maling-road, Canterbury
10833	White, Eric Claude	85 Maxwell-street, Ardeer
6930	White, Margaret	321 Koornang-road, Carnegie
13631	White, Norman	68 Maling-road, Canterbury
6858	Whitsley, Douglas Robert	45 Kitchener-street, Deepdene
11079	Whiteway, Kevin Walter	417 Bell-street, Pascoe Vale South
14814	Whyte, Faye Beverley Lea	Maude-street, Shepparton
9902	Whyte, Joyce	36 Raymond-street, Sale
14294	Wilcock, Kathleen Mary	Post Office, Morwell
3216	Widdows, Joyce Gertrude	9B Macarthur-avenue, Botany, N.S.W.
7518	Widmer, Alice Mary	H.B.A. Arcade, Ballarat
15130	Wilcox, Helen	78 Moor-street, Fitzroy
367	Wilke, William Edward	51 Station-street, Malvern
13988	Willcox, Delwyn	11 Waimarie-drive, Mount Waverley

LIST OF CHANGES OF ADDRESSES—continued.

Certificate No.	Name.	New Address.
2899	Williams, Lindsay Llewellyn	632 Spencer-street, West Melbourne
9585	Willis, Lorraine	43 Marlas-street, Ormond
2849	Wilson, Douglas Arthur	64 Woodlands-road, Strathmore
14281	Wilson, Kenneth	33 Park-street, Brunswick
5872	Wilson, Thomas Russell	353 Inkerman-street, East St. Kilda
1146	Wilson, William John	268 Elgar-road, Box Hill
14204	Wind, Helga	409 Nepean Highway, North Brighton
5611	Windus, Zanoni	94 Page-street, Albert Park
15023	Wink, Frans Josef	6 Thorpedale-street, Newborough
13588	Winstanley, Lorne Irene	413 Waverley-road, East Malvern
12312	Wise, John Edward	Luban Square, Norlane, Geelong
15426	Wohlfahrt, Anneliese	25 Patterson-road, Moorabbin
13692	Wojciechowski, Austra	86 Main-street, Ballarat
14133	Woodhouse, Gabrille	24 Guest-road, South Oakleigh
11470	Woodland, Annie Nora	708 Wellington-street, Kew
14961	Yannoulidis, Theodoros	233 Victoria-street, North Richmond
12807	Yates, Isabel Edith	McDonald-street, Murton
10063	Yendle, Elizabeth Anne	24 Coral-avenue, Footscray
3691	Young, George Alexander	56 Landcox-street, East Brighton
12385	Young, Margaret Judith	21 Richmond-crescent, East Geelong
14400	Young, Graham Gerald	39 Fisher-street, East Malvern
13698	Zarebski, Stefan	264 Montague-street, South Melbourne
14522	Zarkov, Cecilia	102 Hopkins-street, Footscray

MISCELLANEOUS REVISIONS.

Certificate No.	Entry Revised.	Nature of Revision.
13884	Agnew, Pamela Rose	Now known as Pamela Rose Guy
11968	Amiet, Yvonne Mary	Now known as Yvonne Mary Kennedy
12692	Anderson, Merle Barbara	Now known as Merle Barbara Smith
11206	Arnall, Lorraine Florence	Now known as Lorraine Florence Huntington
14221	Arthur, Valerie	Now known as Valerie Dear
10237	Austin, Margot June	Now known as Margot June Lalor
12004	Baldock, Faye	Now known as Faye Webster
11440	Bassett, Loris	Now known as Loris Day
14110	Belcher, Janet Evelyn	Now known as Janet Evelyn Jackson
12556	Bell, Coral Alice Mary	Now known as Coral Alice McCarthy
15048	Benko, Erika	Now known as Erika Head
9305	Vigs, Theresa	Now known as Theresa Farzanne
12007	Blainey, Roberta	Now known as Roberta Gilmour
14669	Boers, Annemieke	Now known as Annemieke Van Wynsen
15432	Bramley, Margaret Lavina	Now known as Margaret Lavina Johnstone
14626	Broomhall, Josephine	Now known as Josephine Lomont
13637	Brown, Joy Ada	Now known as Joy Ada Snow
12453	Bryant, Barbara Eileen	Now known as Barbara Eileen Lavars
13641	Cannon, Elizabeth	Now known as Elizabeth Gallagher
14296	Carr, Hazel Ruth	Now known as Hazel Ruth McKay
12632	Chambeyron, Rose Marie	Now known as Rose Marie Gerraty
4799	Christen, Anna Wilhelmina	Now known as Anna Wilhelmina Stone
12008	Clarke, Allyson June	Now known as Allyson June Davis
8946	Clarke, Beryl	Now known as Beryl McCormack
10848	Cobden, Evelyn	Now known as Evelyn Hookey
12372	Cochrane, June Valmai	Now known as June Valmai Appleton
13527	Craven, Valerie May	Now known as Valerie May Jordon
14362	Croton, Lily Anne	Now known as Lily Anne Wallmer
13724	Daye, Marilyn Emily	Now known as Marilyn Emily Hinchcliffe
15201	De Canne, Martha Johanna	Now known as Martha Johanna Geleyne
13726	Denny, Shirley Dawn	Now known as Shirley Dawn Hanna
11417	Diamond, Moya Eileen	Now known as Moya Eileen Brennan
13991	Dillon, Eva Noeline	Now known as Eva Noeline Ward
11215	Docking, Joan Winsome	Now known as Joan Winsome Childs
12635	Douglas, Errol Mary	Now known as Errol Mary Kettle

MISCELLANEOUS REVISIONS—continued.

Certificate No.	Entry Revised.	Nature of Revision.
14313	Driver, Edyth Estelle	Now known as Edyth Estelle Kirk
13882	Dunca, Jill Ann	Now known as Jill Ann Dempsey
14411	Dunn, Joan Beverley	Now known as Joan Beverley Cook
10109	Dunn, Rae Frances	Now known as Rae Frances Symes
13891	Duxson, Gloria June	Now known as Gloria June Walgers
5851	Edwards, Constance Blanche	Now known as Constance Blanche Pauline
13182	Fahey, Margaret Lorraine	Now known as Margaret Lorraine Murray
14231	Falon, Jeannie Blanche	Now known as Jeannie Blanche Hore
13205	Fick, Shirley	Now known as Shirley Dow
13207	Frampton, Joyce Margaret	Now known as Joyce Margaret Thomson
9749	Frewin, Dorothy Ann	Now known as Dorothy Ann Adamson
9474	Garrett, Pamela	Now known as Pamela Peak
14051	Gladman, Gillian Lynette	Now known as Gillian Lynette McCarthy
10234	Graham, Elaine Patricia	Now known as Elaine Patricia King
9855	Graham, Shirley Jean	Now known as Shirley Jean Millington
14023	Gray, Faye	Now known as Faye Monahan
9555	Gray, Jeanette	Now known as Jeanette Rocker
13133	Gribble, Joan Esme	Now known as Joan Esme Stevenson
14092	Hargreaves, Barbara Rose	Now known as Barbara Rose Smith
14461	Hay, Ann Patricia	Now known as Ann Patricia Fink
14954	Hemmes, Irene	Now known as Irene Visser
14116	Hemsworth, Joan Dorothy	Now known as Joan Dorothy Ballaglia
14103	Hill, Jennifer Margaret	Now known as Jennifer Margaret Simpson
11690	Hill, Shirley	Now known as Shirley McNamara
13735	Hill, Wendy Elizabeth	Now known as Wendy Elizabeth Hooper
12097	Hobbs, June Elizabeth	Now known as June Elizabeth Bogle
13418	Hodson, Marlene Ivy	Now known as Marlene Ivy Griffin
14146	Holland, Loretta Anne	Now known as Loretta Anne McKenzie
13153	Honey, Norma Isabel	Now known as Norma Isabel Marston
1529	Hurst, Frances Elizabeth	Now known as Francis Elizabeth Nelson
14135	Ingvorgsen, Valerie	Now known as Valerie Geake
12960	Innes, Cynthia Lorraine	Now known as Cynthia Lorraine Witland
9184	James, Betty	Now known as Betty Dyer
14583	James, Judith Faye	Now known as Judith Faye Donaldson
13514	Jensen, Len Koulter	Now known as Lene Koulter Laurentiessen
13739	Johnston, Merry! Elizabeth	Now known as Merry! Elizabeth Hetherington
12166	Jurgens, Patricia Margaret	Now known as Patricia Margaret Stokes
12763	Kelly, Janice Dees	Now known as Janice Dees McMahon
14248	King, Betty	Now known as Betty Tanner
12835	Laffy, Joan	Now known as Joan Grant
14478	Landsberg, Rachel	Now known as Rachel Falle
9132	Langham, Gwenda Mary	Now known as Gwenda Mary Downing
12968	Laphorne, Valmai Joy	Now known as Valmai Joy Davies
11974	Larner, Hazel	Now known as Hazel Birang
1299	Lascelles, Dora	Now known as Dora Wignoy
11814	Le Busque, Thelma	Now known as Thelma Styler
13818	Lucia, Carmen	Now known as Carmen Mazzei
7721	Lundgren, Betty Patricia	Now known as Betty Patricia Day
13322	Magee, Joyce Maureen	Now known as Joyce Maureen Squires
9929	Marin, Marea Betty	Now known as Marea Betty Howatt
13254	Marsh, Judith Ann	Now known as Judith Ann Healey
13662	McDonald, Nora Judith	Now known as Nora Judith Crawford
10204	Munro, Joycelyn Dorice	Now known as Joycelyn Dorice Shippick
12419	Murray, Lynette	Now known as Lynette Willian
14384	Mynott, Janet	Now known as Janet Strahan
11622	Nathan, Nanette Irene	Now known as Nanette Irene Weiss
13967	Newall, Joan Lorraine	Now known as Joan Lorraine Frank
13803	Nosworthy, Elizabeth Anne	Now known as Elizabeth Anne Shaw
14263	O'dwyer, Edna Lorraine	Now known as Edna Lorraine Pierce
12803	Olarensaw, Lorraine Merle	Now known as Lorraine Merle Leckie
6718	Oldham, Phyllis	Now known as Phyllis Berrill
8356	Olver, Joy Louise	Now known as Joy Louise Bechwith
11770	Osmond, June Valma	Now known as June Valma Lea

MISCELLANEOUS REVISIONS—continued.

Certificate No.	Entry Revised.	Nature of Revision.
13364	Padovan, Maria Luisa	Now known as Maria Luisa Stellato
6985	Pannowitz, Marion Mavis	Now known as Marion Mavis Hooper
14491	Parker, Margaret Francis	Now known as Margaret Frances Coombe
13222	Parry, Gwenneth Muriel	Now known as Gwenneth Muriel Fyers
13223	Paterson, Desley Gwen	Now known as Desley Gwen Burmann
7466	Patton, Norma Isobel	Now known as Norma Isobel Robertson
14939	Pedler, Joan	Now known as Joan Rodgers
15038	Peerdeman, Johanna	Now known as Johanna Kool
13428	Peters, Cornelia Corrie	Now known as Cornelia Corrie Ormrod
15440	Phillips, Pamela Myrtle	Now known as Pamela Myrtle Yates
11068	Pierce, Gloria	Now known as Gloria Cloke
13771	Powell, Joan Audrey	Now known as Joan Audrey Tomlins
12746	Prescott, Pauline Rose	Now known as Pauline Rose Deyong
10929	Price, Dorothy May	Now known as Dorothy May Dugdale
14131	Prowse, Doreen Lilian	Now known as Doreen Lilian Bowler
14936	Puccio, Mary	Now known as Mary Ganci
14266	Raymond, Cynthia	Now known as Cynthia Rose
15349	Rees, Joan Ethel	Now known as Joan Ethel Curtis
9367	Renfree, Estella Louise	Now known as Estella Louise Hickey
13116	Rice, Frances Cynthia	Now known as Frances Cynthia Gibson
12594	Richards, Theresa Eleanor	Now known as Theresa Eleanor Stone
12172	Richardson, Valma Noel	Now known as Valma Noel McIntyre
15213	Robert, Micheline	Now known as Micheline Johnston
7345	Roberts, Joan Evelyn	Now known as Joan Evelyn Crapper
9832	Robinson, Elma	Now known as Elma Purdon
12425	Robson, Helen Mary	Now known as Helen Mary Lilley
6321	Rodda, Joyce	Now known as Joyce Constable
8744	Roddy, Winifred Gladys	Now known as Winifred Gladys Duncan
13914	Rolfe, Denise Mary	Now known as Denise Mary Harrigan
9081	Rothel, Agnes Bell Geddes	Now known as Agnes Bell Geddes Rae
11720	Rowston, Margaret Edith	Now known as Margaret Edith Hewlett
12381	Russell, Yvonne Jean	Now known as Yvonne Jean Tiernup
10837	Saunders, Barbara Ann	Now known as Barbara Ann Leate
13390	Scott, Beverley Joy	Now known as Beverley Joy Chaklem
12598	Seales, Roma Beverley	Now known as Roma Beverley Henwood
13403	Shelley, Pauline Ann	Now known as Pauline Ann Bennie
11723	Simmons, Barbara Anne	Now known as Barbara Anne Andrewartha
11537	Skowron, Johanna	Now known as Johanna Peters
14424	Sleeth, Lesley Faye	Now known as Lesley Faye Richards
11538	Smith, Beverley Joan	Now known as Beverley Joan Hoskins
11360	Smith, Margaret Helen	Now known as Margaret Helen Tessier
13865	Smith, Margaret MacPherson	Now known as Margaret MacPherson Dinham
14035	Southall, Rosemary	Now known as Rosemary Allen
10080	Stewart, Barbara	Now known as Barbara Boorer
12660	Stroh, Margareta	Now known as Margareta Fekete
14771	Stuteley, Jeanne	Now known as Jeanne Crowley
15462	Sweerts, Jeanette Jacoba	Now known as Jeanette Jacoba Vanderhorst
15455	Thanassa, Mary	Now known as Mary Konstandinidou
12772	Tippett, Joan Alvena	Now known as Joan Alvena King
14015	Torpor, Helen	Now known as Helen Rozenderg
7264	Tuck, Annette	Now known as Annette Hislop
11788	Turner, Eva Elaine	Now known as Eva Elaine Doyce
14016	Turner, June Margaret	Now known as June Margaret Probert
13547	Tyson, Maureen Carol	Now known as Maureen Carol Shelly
12670	Verdon, Dorothy Isabelle	Now known as Dorothy Isabelle Gill
14396	Waller, Lois Marion	Now known as Lois Marion Dunn
12349	Walsh, Margaret Helen	Now known as Margaret Helen Jones
13392	Ward, Carole Dianne	Now known as Carole Dianne Eldridge
6704	Watson, Lyndsay Rosa	Now known as Lyndsay Rosa Thompson
14850	Webb, Christine Janet	Now known as Christine Janet Sunders
14279	Welch, Shirley Joy	Now known as Shirley Joy Anderson
15424	Wenzler, Anna	Now known as Anna Velkov
14293	Westphal, Erica	Now known as Erica Riesler
11837	Westwood, Estelle Doreen	Now known as Estelle Doreen Randall
13762	White, Janice Mirriam	Now known as Janice Mirriam Fullarton
14294	Wilcock, Kathleen Mary	Now known as Kathleen Mary Holland
1035	Williams, Daisy	Now known as Daisy McNeice
9840	Williams, Laurie Andrina	Now known as Laurie Andrina Robertson
14951	Willshaw, Brenda	Now known as Brenda Trushell
13694	Wilson, June Evelyne	Now known as June Evelyne Seear
13696	Wilson, Margaret Kathleen	Now known as Margaret Kathleen Blundell
11612	Wright, Valda Mary	Now known as Valda Mary Bryant

LIST OF PRINCIPAL HAIRDRESSERS WHOSE REGISTRATION HAS BEEN SUSPENDED DURING THE YEAR AND HAS NOT BEEN RESTORED—*continued.*

Certificate No.	Name.	Date of Suspension.	Certificate No.	Name.	Date of Suspension.
14574	Tittz, Edith	25.5.60	11611	Weidner, Joan Marilyn	25.5.60
13871	Tullo, Beverley Anne	25.5.60	11896	West, Janet Irene	25.5.60
			1576	White, Doris Emily	25.5.60
			2778	Wilkinson, Phyllis	25.5.60
13625	Van Os, Henricus Josephine Francescus ..	25.5.60	3658	Williams, Helen Georgina	25.5.60
			9573	Williams, Joan Margaret	25.5.60
			7960	Williams, Olwyn	25.5.60
			11429	Wilson, Alma Esther	25.5.60
13436	Walkerdon, Darryl	25.5.60	7028	Wilson, June Elaine	25.5.60
5492	Wardrope, William McDonald	25.5.60	9221	Winkler, Gwenda Florence Margaret ..	25.5.60
13761	Wathall, Jean Hazel	25.5.60	5422	Woodberry, Robert John	25.5.60
4055	Watson, Albert Alexander	25.5.60			
707	Watt, Robert	25.5.60	13873	Yates, Susan	25.5.60

LIST OF EMPLOYEE HAIRDRESSERS WHOSE REGISTRATION HAS BEEN SUSPENDED DURING THE YEAR AND HAS NOT BEEN RESTORED.

Certificate No.	Name.	Date of Suspension.	Certificate No.	Name.	Date of Suspension.
4935	Alexander, George Albert	25.5.60	12465	Di Martino, Guisepppe	25.5.60
2041	Anderson, Norman James	25.5.60	13039	Di Pasquale, Nicola	25.5.60
9731	Anderson, Opal Maud	25.5.60	10526	Dobson, Joan	25.5.60
8169	Archer, Dorothy Valda	25.5.60	13203	Donaldson, Patricia	25.5.60
14675	Asciak, Anthony	25.5.60	12011	Drummond, Mona Joan	25.5.60
			14141	Duffield, Anthony Clifford	25.5.60
			9478	Durham, Dawn	25.5.60
3011	Ballard, William George	25.5.60			
4514	Bandel, Mark John	25.5.60	13878	Elliott, Loretta	25.5.60
12555	Barnes, Nancy Margaret	25.5.60	10505	Ellis, Lorna	25.5.60
1296	Bellairs, Margaret Christine	25.5.60	11513	Esplan, Wilma Amelia	25.5.60
12709	Bellaman, Frances Gloria	25.5.60			
10504	Beynon, William Robert	25.5.60	1094	Farlow, Herbert Christopher	25.5.60
7801	Bloomfield, Beryl	25.5.60	13149	Ferraro, Domenico	25.5.60
10844	Booth, Zita	25.5.60	14053	Fletcher, Diana	25.5.60
9040	Bostock, Beverley Patricia	25.5.60	2903	Forster, Matthew	25.5.60
12557	Bourne, Vanessa	25.5.60	14688	Fourniotis, Panagiotis	25.5.60
10140	Bowden, Moyia Margaret	25.5.60			
9383	Brady, Joan	25.5.60	14753	Galic, Joseph	25.5.60
8854	Bristow, William Thomas	25.5.60	9177	Garfield, Zalda	25.5.60
13280	Broadway, Mary	25.5.60	11514	Gardner, Wilma Margaret	25.5.60
2964	Brooks, Arthur Cyril	25.5.60	6999	George, Ronald Basil	25.5.60
13638	Bull, Richard Henry	25.5.60	12513	Glasson, George Francis	25.5.60
6851	Burns, Ella Francis	25.5.60	13299	Gondor, Rosa	25.5.60
			9752	Gore, Ian	25.5.60
1513	Caffrey, Roselyn Myrtle	25.5.60	5864	Goulding, John Edward	25.5.60
14548	Cameron, Alan Duncan	25.5.60	11743	Gray, Coral Margaret	25.5.60
13437	Campbell, Patricia Joan	25.5.60	12269	Greenwood, Marlene Constance	25.5.60
13377	Cannan, Dorothy Theresa	25.5.60	552	Greig, James Lockhart	25.5.60
5875	Carver, Leonard Frank	25.5.60			
14183	Cavoli, Guisepppe Santi	25.5.60	6832	Harris, Alexander James	25.5.60
1580	Churchyard, Samuel John	25.5.60	6887	Harvest, Cecelia Irene	25.5.60
7863	Clark, Harold Douglas	25.5.60	13417	Hawkins, Yvonne Merle	25.5.60
8488	Clark, Kevin Roy	25.5.60	2380	Healey, Mary	25.5.60
6653	Clarke, Marion Joyce	25.5.60	6745	Henderson, Thomas Alwyn	25.5.60
12153	Coleman, Kenneth John	25.5.60	8935	Hendy, Edna Margery	25.5.60
13645	Conway, Delina	25.5.60	1061	Henley, Thomas Francis	25.5.60
7143	Conway, Dorothy Mary	25.5.60	8335	Hepworth, Myra Eileen	25.5.60
9196	Cook, Kathleen	25.5.60	8819	Hewitt, Audrey Yvonne	25.5.60
9317	Cooksen, Valda June	25.5.60	9848	Hicks, Una	25.5.60
4204	Cooper, Norman	25.5.60	9596	Hill, June	25.5.60
14428	Craft, Ronald Joseph	25.5.60	12044	Hogan, Maureen	25.5.60
9314	Cusack, Marion	25.5.60	10907	Holgate, Ellen Mary	25.5.60
14402	Cymbalak, Michael	25.5.60	9779	Honan, Patricia	25.5.60
			12392	Houlder, James Michael	25.5.60
1011	Daly, John Henry	25.5.60	6998	Hutchinson, Evelyn	25.5.60
8096	Dando, Kathleen Ellen	25.5.60			
11164	Delbridge, Henry Gerrard	25.5.60	12185	Iacobucci, Domenico	25.5.60
11214	Del Popolo, Paolo	25.5.60	6512	Irwin, Gloria	25.5.60
12129	Depta, Irmgard	25.5.60	9849	Isaacs, Abraham	25.5.60
10374	Devenish, Maureen	25.5.60			
8211	De Vries, Nancy Lorraine	25.5.60			
13146	De Zwart, Henri Petrus Leonardus ..	25.5.60			

LIST OF EMPLOYEE HAIRDRESSERS WHOSE REGISTRATION HAS BEEN SUSPENDED DURING THE YEAR AND HAS
NOT BEEN RESTORED—*continued.*

Certificate No.	Name.	Date of Suspension.	Certificate No.	Name.	Date of Suspension.
13419	Jeanneret, Danielle	25.5.60	12973	Prebisch, Peter	25.5.60
9870	Jenette, Frieda Loretta	25.5.60	7886	Prescott, Elizabeth Helen	25.5.60
12913	Jones, Beverlie Florence	25.5.60	14499	Pretcherer, August	25.5.60
11766	Judd, Jill Madelean	25.5.60			
14214	Karaglanis, Ioannis	25.5.60	8725	Reed, Gordan	25.5.60
14758	Karathanasi, Athanasia	25.5.60	12128	Reid, Joan Margaret	25.5.60
12875	Keay, Vivienne Beryl	25.5.60	12524	Renda, Mario	25.5.60
14176	Kent, Marlene Christina	25.5.60	11774	Richardson, Mary Elizabeth	25.5.60
14247	Kilian, Karoline	25.5.60	14172	Rigaldi, Peter	25.5.60
12935	Klingler, Anita	25.5.60	12595	Ritorto, Rocco	25.5.60
14058	Kolsky, Abraham	25.5.60	6630	Rogers, Nanzie Margretta	25.5.60
11125	Kossatz, John Francis	25.5.60	10304	Rose, Barbara Christine	25.5.60
14474	Kutey, Emil	25.5.60	2876	Ruffin, Karl Michael	25.5.60
			10035	Russell, Kathleen Elizabeth	25.5.60
			2985	Ryan, Gweneth McLiesh	25.5.60
4948	Laws, George James	25.5.60			
13660	Leslie, Robin	25.5.60	1471	Sailah, Hazel	25.5.60
8559	Lester, Joan Elma	25.5.60	7163	Salha, Nemer	25.5.60
14996	Lewis, Colleen	25.5.60	13541	Salomon, Noela June	25.5.60
10438	Lewis, Margaret Mary	25.5.60	12245	Sanci, Francesco	25.5.60
10319	Lewis, Robert Wallis	25.5.60	14219	Sciacca, Francesco	25.5.60
14151	Look, Barry	25.5.60	14269	Sciacca, Domenico	25.5.60
11439	Lukies, Gloria	25.5.60	11341	Searle-Walker, Pamela Edith	25.5.60
			12544	Silvano, Sturi	25.5.60
8903	McCarthy, John William	25.5.60	11893	Simpson, Heather	25.5.60
13795	McCarthy, Maureen Elizabeth	25.5.60	9491	Sinclair, Douglas	25.5.60
12682	McCracken, Gladys June	25.5.60	12342	Skene, Judith Anne	25.5.60
10254	McDowell, Coral Craig	25.5.60	11648	Sleath, Desley	25.5.60
7939	McFarlane, Patricia Dulcie	25.5.60	13972	Smith, Judith Anne	25.5.60
1232	McPherson, Marjorie Veronica	25.5.60	10596	Smith, Margaret Norma	25.5.60
3382	McQueen, Robert Carol	25.5.60	14078	Stamati, Crestina	25.5.60
14322	Maggio, Domenico	25.5.60	11295	Stedman, Pamela Gereith	25.5.60
422	Maguire, Elsie	25.5.60	8386	Stephenson, Amy Hetha	25.5.60
14792	Malinauskas, Jonas	25.5.60	808	Stewart, Anne Hilda	25.5.60
13006	Mallia, John	25.5.60	11895	Stokes, Merlyn Gladys	25.5.60
14610	Marsh, Marlene Valda	25.5.60	9708	Story, John Frederick	25.5.60
11642	Martin, Rose	25.5.60	7907	Swan, Jeanne Allison	25.5.60
14741	Martineau, Gilder Clayton	25.5.60	14800	Syrros, Antonios Charlampos	25.5.60
12683	Maskiell, Sarah Anne	25.5.60			
9763	Matthews, Lois Margaret	25.5.60	3497	Taylor, Martie	25.5.60
14560	Maunder, Dorothy Janet	25.5.60	10965	Thomas, Marjorie June	25.5.60
14486	Mills, Kathleen	25.5.60	9567	Thomas, Noreen	25.5.60
12045	Mintern, Marlene Joan	25.5.60	13367	Thompson, Janet Marjorie	25.5.60
14418	Mits, Erna	25.5.60	11549	Thompson, Lorraine	25.5.60
12438	Moffat, Janet Elizabeth	25.5.60	12033	Torrance, Gloria Audrey	25.5.60
4516	Montgomery, Herbert Victor	25.5.60	13064	Trapalis, Nicholas	25.5.60
1117	Moody, Edward	25.5.60	6756	Travis, Jean Norma	25.5.60
10312	Moore, Barbara	25.5.60	1419	Tresidder, Harry Thomas	25.5.60
9072	Moran, Betty	25.5.60			
13008	Morphett, Nancy May	25.5.60	730	Waldon, Margaret	25.5.60
14523	Morris, Leila Patricia	25.5.60	13975	Wanders, Patrick Alfred	25.5.60
11977	Muller, Janice Marjorie	25.5.60	11730	Watson, Colin Leonard	25.5.60
10819	Murphy, Stewart Leslie	25.5.60	12443	Watson, Shirlee Francis	25.5.60
11284	Murray, Alison Joan	25.5.60	3345	Watt, Beryl	25.5.60
			5053	Watt, Joan Eveline	25.5.60
11460	Nevins, Barry	25.5.60	13976	Wellard, Joan	25.5.60
10642	Neill, Joan Elizabeth	25.5.60	13927	Wellington, Richard William	25.5.60
			10400	Westmore, Alfred	25.5.60
10092	Oldham, Miriam Myra	25.5.60	13712	Wills, Annette	25.5.60
10245	O'Shannassy, Una	25.5.60	9291	Wilson, Joan Marjory	25.5.60
11461	O'Sullivan, Shelia Mary Anne	25.5.60	12384	Wright, Bernard Vincent	25.5.60
			9154	Wright, Jessie Sinclair	25.5.60
14069	Paciello, Giuseppe	25.5.60			
13749	Pagano, Angelo	25.5.60	14284	Yelverton, Valda Rosina	25.5.60
8471	Panno, Michael Ernest	25.5.60	1664	Young, Mary Kathleen	25.5.60
6955	Pentland, Marjorie Beth	25.5.60	11315	Young, Narina Grieg	25.5.60
11198	Perkin, Patricia May	25.5.60			
12745	Phillips, Freda	25.5.60			
10211	Piccinin, Gino	25.5.60			
11464	Potter, John James	25.5.60	13774	Zafiriadis, George	25.5.60
12878	Powell, Aileen Joan	25.5.60	14851	Zurflueh, Erika	25.5.60

LIST OF NAMES REMOVED FROM THE REGISTER.

Certificate No.	Name.	Date of Removal.	Certificate No.	Name.	Date of Removal.
5564	Barrier, Leo	4.9.60	3771	Malpass, John Edwin	7.3.60
2625	Belfield, Neil Harry	16.4.60	13326	Murdoch, Valerie	20.4.60
4240	Brehaut, Leslie Thomas	7.1.60	4956	Monaghan, Hugh Henry	12.4.60
229	Bye, Peter Arthur	25.6.60			
1436	Clarke, George Lennox	18.3.60	9905	Schad, Henry	27.7.60
2089	Clee, Albert Edward	8.11.60	3407	Schacche, Walter Vivian	20.4.60
3161	Crilly, Norman Francis	18.3.60	7733	Shaddock, Edward	12.4.60
			3249	Smith, Alfred William	29.10.60
			2016	Southorn, Ralph Martin	4.1.60
2814	Dennis, William Serpell	18.1.60			
			3488	Taylor, Gordon Ernest Clarence	14.4.60
113	Greenfield, James	13.4.60			
10650	Hatty, John	5.8.60	2808	Veal, William Grose	7.4.60
6269	Jolley, Roy Alexander	6.4.60	4537	Wale, Ernest Henry	5.8.60
			1883	Woodward, Elsie	4.1.60

