



VICTORIA  
GOVERNMENT GAZETTE.

Published by Authority.

[Registered at the General Post Office, Melbourne, for transmission by post as a newspaper.]

No. 153]

WEDNESDAY, AUGUST 7.

[1946

APPOINTMENTS.

**H**IS Excellency the Lieutenant-Governor of the State of Victoria, by and with the advice of the Executive Council thereof, has, by Orders made on the 30th day of July, 1946, been pleased to make the under-mentioned appointments, viz.:-

DEPARTMENT OF CHIEF SECRETARY.

*Member, Street Traders Licences Board.*

JAMES CHARLES SMITH,

pursuant to the provisions of section 5 of the *Street Trading Act 1928*, to be a Member of the Street Traders Licences Board, for a period of two years, *vice* Vincent T. Nelson, resigned.

*Officer of the Fifth Class.*

KEVIN JOHN BURGESS

to be an Officer of the Fifth Class, Clerical Division; a vacancy having occurred, and the Public Service Board having certified, on the 4th July, 1946, that an appointment is required, that there is no person available and fit in the Public Service to be promoted or transferred to fill the vacant office, and that the person named is entitled, under the provisions of the *Public Service Act 1928*, to be appointed to fill such vacancy on probation for six months.

*Female Inspector.*

EDITH FRASER CLARK

to be a Female Inspector, General Division, Children's Welfare Branch; a vacancy having occurred, and the Public Service Board having certified, on the 24th June, 1946, that an appointment is required, that there is no person available and fit in the Public Service to be promoted or transferred to fill the vacant office, and that the person named is entitled, under the provisions of the *Public Service Act 1928*, to be appointed to fill such vacancy on probation for six (6) months, to date from and inclusive of the 5th June, 1946.

No. 153.—7982/46.—PRICE 6d.; Quarterly, 8s. 2d.; Half-Yearly, 16s. 3d.; Yearly, 32s. 6d.

DEPARTMENT OF HEALTH.

*Medical Superintendents of Mental Hospitals.*

DR. GRANTLEY ALAN WRIGHT

to be Medical Superintendent of the Mental Hospitals, Mont Park and Janefield, and of the Repatriation Mental Hospital, Bundoora, from 28th July, 1946, *vice* Dr. William Bernard Ryan, deceased;

DR. CLIVE FARRAN RIDGE

to be Medical Superintendent of the Mental Hospital and Receiving House, Ballarat, from 28th July, 1946, *vice* Dr. Grantley Alan Wright, transferred;

DR. HORACE JOSEPH CARLYLE EDMONDS

to be Medical Superintendent of the Mental Hospital, Ararat, from 28th July, 1946, *vice* Dr. Clive Farran Ridge, transferred; and

DR. EDGAR LENNARD ROBERTS

to be Acting Medical Superintendent of the Mental Hospital, Beechworth, from 28th July, 1946, *vice* Dr. Horace Joseph Carlyle Edmonds, transferred.

DEPARTMENT OF LANDS AND SURVEY.

*Trustee of Land.*

NORMAN ROBERT RALSTON

to be Trustee of the land temporarily reserved as a site for Show Yards at Euroa, in the place of Charles Lane De Boos, deceased.

DEPARTMENT OF LAW.

*Judge of County Courts, &c.*

NORMAN FREDERICK MITCHELL

to be a Judge of County Courts, under the provisions of the County Court Acts, and a Chairman of General Sessions, under the provisions of the *Justices Act 1928*.

*Chairman of General Sessions.*

MAURICE LEO CUSSEN

to be a Chairman of General Sessions, under the provisions of the *Justices Act 1928*, from the 1st August, 1946, to the 31st August, 1946, both dates inclusive.

*Magistrates.*

WILLIAM LAMBERT, Chief Finance Officer, State Rivers and Water Supply Commission, Melbourne,  
 GEORGE FITZGEORGE PEDLOW, Staff Officer, State Rivers and Water Supply Commission, Melbourne, and  
 EVERARD BROWN, Assistant Secretary, State Rivers and Water Supply Commission, Melbourne,  
 to Keep the Peace in the Central, Northern, Southern, Eastern, Western, and Midland Bailiwicks of the State of Victoria;  
 THOMAS JAMES CAREY, Nareen,  
 JOHN PATRICK FEENY, Gooroc, and  
 JOHN FRANCIS DICKINSON, St. Arnaud,  
 to Keep the Peace in the Western Bailiwick of the State of Victoria;  
 GEOFFREY ARTHUR BENNETT, Personnel Officer, Australian National Airlines Commission, Point Cook,  
 SYDNEY BROCKLEHURST, Staff Officer, Australian National Airlines Commission, 372 Post Office-place, Melbourne,  
 JOHN WILLIAM ALEXANDER MCLEOD, Personnel Manager, Australian National Airlines Commission, 372 Post Office-place, Melbourne,  
 JAMES CECIL BENJAMIN MCCUBBIN, 11 Fenwick-street, North Carlton,  
 JOHN CHARLES LLOYD, Narre Warren, and  
 STANLEY JOHN RUMPF, 14 Glen-street, Hawthorn,  
 to Keep the Peace in the Central Bailiwick of the State of Victoria.

*Commissioners for Taking Declarations, &c.*

COLIN SOUTHEE, IAN AUSTIN STRINGER, WILLIAM HAROLD SPICE, ALLAN FERGUSON HUNTER, ROBERT JAMES IRVINE, JOSEPH ERNEST DOLMAN, and THOMAS ERNEST THOMPSON, Officers of the Department of Lands and Survey, Melbourne,  
 to be Commissioners for taking Declarations and Affidavits, pursuant to the provisions of Division 8 of Part IV. of the *Evidence Act 1928*;  
 ERIC RICHARD ROBERT GLEED, Officer of the Children's Welfare Department, Melbourne,  
 to be a Commissioner for taking Declarations and Affidavits, pursuant to the provisions of Division 8 of Part IV. of the *Evidence Act 1928*, to refrain from charging fees, and to resign upon ceasing to occupy his present position; and  
 JOSEPHINE MARY SCOTT, 141 Ramsden-street, Clifton Hill,  
 JAMES STACK, corner of Melrose-street and Flemington-road, North Melbourne,  
 JOHN JOSEPH GILBERT, Tolmie, and  
 ARTHUR GEORGE WOODFINE, Benalla,  
 to be Commissioners for taking Declarations and Affidavits, pursuant to the provisions of Division 8 of Part IV. of the *Evidence Act 1928*, to resign upon removing from the neighbourhood of the addresses stated.

*Clerks of Petty Sessions, &c.*

ALEXANDER VALE  
 to be Clerk of Petty Sessions and Clerk of the Children's Court at Bacchus Marsh, during the absence on annual leave of J. J. Gleeson; and  
 KEVIN JOHN O'CONNOR  
 to be Clerk of Petty Sessions and Clerk of the Children's Court at Mooroopna, in the place of D. Yeaman, relieved, to take effect from the date of commencement of duty.

*Probation Officers for Children's Courts.*

OSBORNE KEEN, 16 Pleasant-street, Pascoe Vale,  
 WILLIAM GORDON GRAHAM, 29 Bastings-street, Northcote, and  
 ALAN GEORGE MEE, 10 Thomas-street, Hampton,  
 to be Probation Officers, pursuant to the provisions of section 8 of the *Children's Court Act 1928*, for the Children's Court at Coburg, Northcote, and Brighton, respectively.

## DEPARTMENT OF TREASURER.

*Officers of the Fifth Class.*

KENNETH GEORGE LINSDELL, and  
 CHARLES GERARD McDONOUGH,  
 to be Officers of the Fifth Class, Clerical Division—Taxation Branch and Stamp Duties Branch, respectively; vacancies having occurred, and the Public Service Board having certified, on the 3rd July, 1946, that appointments are required, that there are no persons available and fit in the Public Service to be promoted or transferred to fill the vacant offices, and that the persons named are entitled, under the provisions of the *Public Service Act 1928*, to be appointed to fill such vacancies on probation for six months.

## DEPARTMENT OF WATER SUPPLY.

*Assistant Engineers.*

JACK LOUIS MAVER, and  
 PAUL ENGBERG OLSEN,  
 to be Assistant Engineers, Class "C." Professional Division; vacancies having occurred, and the Public Service Board having certified, on the 28th June, 1946, that appointments are

required, that there are no persons available and fit in the Public Service to be promoted or transferred to fill the vacant offices, and that the persons named are fit and proper persons and duly qualified to be appointed to fill such vacancies on probation for three months, to date from and inclusive of the 27th May, 1946.

C. W. KINSMAN,  
 Clerk of the Executive Council.

At the Executive Council Chamber,  
 Melbourne, the 30th July, 1946.

## RESIGNATIONS.

HIS Excellency the Lieutenant-Governor of the State of Victoria, by and with the advice of the Executive Council thereof, has, by Orders made on the 30th July, 1946, accepted the resignations of the persons named hereunder of the offices mentioned, viz.:—

## DEPARTMENT OF CHIEF SECRETARY.

VINCENT THOMAS NELSON, as a Member of the Street Traders Licences Board.  
 HAROLD GATES, as Registrar of Births and Deaths at Mount Moriac, to date from and inclusive of the 1st July, 1946.  
 LAVINIA MAUD WATSON, as Registrar of Births and Deaths at Clear Lake, to date from and inclusive of the 31st August, 1946.

## DEPARTMENT OF HEALTH.

EDWARD MICHAEL STAFFORD, Attendant, Grade III., General Division, Mental Hygiene Branch, as an Officer of the Public Service of Victoria, to date from and inclusive of 14th July, 1946.  
 CATHERINE MARY STARKIE, Cook (Female), General Division, Travancore Developmental Centre, as an Officer of the Public Service of Victoria, from and inclusive of 26th July, 1946.  
 LILLIAN MAY STARKIE, Female Reliever, General Division, Travancore Developmental Centre, as an Officer of the Public Service of Victoria, from and inclusive of 27th July, 1946.

## DEPARTMENT OF LAW.

LLEWELLYN JAMES JONES, FRANCIS MICHAEL ALOYSIUS O'LEARY, DAVID ROY NORMAN WYNDHAM, and JOSEPH ANDREW WALTERS, as Commissioners for taking Declarations and Affidavits, pursuant to the provisions of the *Evidence Act 1928*.  
 WILLIAM GORDON GRAHAM and GEORGE ALBERT STAFFORD, as Probation Officers, pursuant to the provisions of the *Children's Court Act 1928*, for the Children's Court at Brunswick and Dunolly, respectively.  
 JOHN COLIN McLELLAN, Messenger, General Division, Office of Titles, as an Officer of the Public Service of Victoria, to take effect as from and inclusive of the 21st July, 1946.

## DEPARTMENT OF TREASURER.

JAMES ROBERT AGER, Officer of the Fifth Class, Clerical Division, Government Printing Office, as an Officer of the Public Service of Victoria, from and inclusive of 7th August, 1946.

C. W. KINSMAN,  
 Clerk of the Executive Council.

At the Executive Council Chamber,  
 Melbourne, the 30th July, 1946.

## Act No. 3757, Sections 90 and 91.

## EXEMPTION.

HIS Excellency the Lieutenant-Governor of the State of Victoria, by and with the advice of the Executive Council thereof, and upon the recommendation of the Public Service Board, has, by Order made on the 30th day of July, 1946, exempted the officers specified hereunder from the provisions of sections 90 and 91 of the *Public Service Act 1928* (No. 3757):—

## DEPARTMENT OF LABOUR.

Officers of the staff of the Apprenticeship Commission who were required to work overtime—such exemption to be operative for the period from the 20th May, 1946, to the 15th June, 1946, both dates inclusive.

C. W. KINSMAN,  
 Clerk of the Executive Council.

At the Executive Council Chamber,  
 Melbourne, the 30th July, 1946.

## PUBLIC SERVICE OF VICTORIA.—VACANCIES.

APPLICATIONS will be received by the Public Service Board up to Friday, the 16th August, 1946, from officers of the Public Service of Victoria, who are eligible and qualified, for appointment to the under-mentioned positions:—

## PROFESSIONAL DIVISION.

## Lithographer, Class "D," Department of State Forests.

*Yearly Salary.*—£351, minimum; £436, maximum.

*Duties.*—To prepare plans, maps, and publicity matter required for colour reproduction, and to be responsible for the proper processing and treatment of negatives, plates, and colour media.

*Qualifications.*—To have been trained in the profession of lithography; to have a thorough knowledge of modern photographic methods of reproduction, and to be competent in the practical treatment of plans and material for colour reproduction by direct and offset processes.

## CLERICAL DIVISION.

## Fourth Class Clerk, Office of the Public Trustee, Department of Treasurer.

*Duties.*—To act as Assistant Trust Officer.

*Qualifications.*—A knowledge of the Public Trustee Acts, the Mental Hygiene Acts, Administration and Probate Acts, the Transfer of Land Act, the Acts, Regulations, and law affecting the administration of the estates of deceased persons, patients, and infirm persons, agencies, and trust estates; experience in the management and conduct of estates and businesses, and in the interpretation of wills and agreements, and a knowledge of real estate values.

## Fourth Class Clerk, Teachers Branch, Department of Public Instruction. (Two vacancies.)

*Qualifications.*—To have a good knowledge of the Public Service Acts and Regulations relating to Teachers; to possess good organizing ability, and to be familiar with departmental organization and procedure.

## Position No. 1.

*Duties.*—To act as Secretary to the Committee of Classifiers for the Secondary and Technical Schools Divisions; to attend to arrangements for the appointment, transfer, and promotion of teachers, and to assist generally in the work of the Teachers Branch.

## Position No. 2.

*Duties.*—To assist in the work of the Teachers Branch.

*NOTE.*—In addition to the salary rates quoted, a cost of living adjustment at the rate of £30 a year is payable. The rates are subject to variation in accordance with the rise or fall in the index numbers of the cost of living.

By order,

J. FRAZER,  
Secretary.

Office of the Public Service Board,  
Melbourne, 6th August, 1946.

## FIREMAN, MENTAL HOSPITAL, SUNBURY, GENERAL DIVISION, DEPARTMENT OF HEALTH.

APPLICATIONS will be received by the Public Service Board from persons, who are qualified, for appointment to the above-mentioned position.

*Yearly Salary.*—£252, minimum; £291, maximum, plus £30 cost of living adjustment. The rates are subject to variation in accordance with the rise or fall in the index numbers of the cost of living.

*Duties.*—To fire boilers, and to assist the Engineer Mechanic.

*Qualifications.*—To possess Boiler Attendant's Certificate or higher qualification.

Applications (which should be accompanied by evidence of experience and qualifications and a statement of date and place of birth) should be lodged at this office not later than Friday, the 23rd August, 1946.

By order,

J. FRAZER,  
Secretary.

Office of the Public Service Board,  
Melbourne, 6th August, 1946.

## ASSISTANT ENGINEER, CLASS "C," PROFESSIONAL DIVISION, ROCKLANDS RESERVOIR, DEPARTMENT OF WATER SUPPLY, VICTORIA.

APPLICATIONS will be received by the Public Service Board from persons, who are qualified, for appointment to the above-mentioned position.

*Yearly Salary.*—£440, minimum; £570, maximum, plus £30 cost of living adjustment. The rates are subject to variation in accordance with the rise or fall in the index numbers of the cost of living.

*Duties.*—To prepare designs and estimates for hydraulic structures, dams, and channels, and supervise construction of works of this nature.

*Qualifications.*—To possess a University degree in Civil Engineering or other recognized Engineering qualification. Some experience in construction work is desirable.

Applications (which should be accompanied by evidence of experience and qualifications and a statement of date and place of birth) should be lodged at this office not later than Friday, the 16th August, 1946.

By order,

J. FRAZER,  
Secretary.

Office of the Public Service Board,  
Melbourne, 6th August, 1946.

## PUBLIC SERVICE OF VICTORIA.—VACANCIES, GENERAL DIVISION.

APPLICATIONS will be received by the Public Service Board from persons, who are qualified, for appointment to the under-mentioned positions:—

## Apprenticeship Supervisor, Department of Labour. (Two vacancies.)

*Yearly Salary.*—£332, minimum; £436, maximum.

*Duties.*—To visit places of employment, and to assist in the supervision over the employment of apprentices, in accordance with the requirements of the Apprenticeship Acts and Regulations; to report as required on the extent and nature of the practical experience obtained by apprentices, and generally to encourage apprenticeship up to the limit prescribed by the Regulations.

*Qualifications.*—To have approved practical experience in one of the Butchering, Bread Making and Baking, Pastrycooking, Cooking, Building, Boot or Printing trades, approved technical qualifications, and a knowledge of industrial conditions, labour laws, and Apprenticeship Acts. Approved experience in the technical training of apprentices is desirable.

## Reservoir Keeper, Maffra, Department of Water Supply.

*Yearly Salary.*—£325, minimum; £351, maximum.

*Qualifications.*—To have a practical knowledge of the regulating of water, and of the maintenance and operation of electric and hydraulic machinery; to have experience in charge of men engaged on construction works, &c., and to be capable of keeping records of stores and costs of various operations, preparing pay sheets, and supervising casual labour.

## Banger (Birchip), Department of Water Supply.

*Yearly Salary.*—£260, minimum; £273, maximum.

*Qualifications.*—To possess capacity to control and regulate the supply of water to block holders, a knowledge of channels in the district, and ability to measure up channels for cleaning.

## Water Bailiff, Tongala-Stanhope District, Department of Water Supply (two vacancies).

*Yearly Salary.*—£200, minimum; £273, maximum.

*Qualifications.*—To possess ability to control and regulate the supply of water to irrigators, and to keep the necessary records and make arithmetical computations in connexion therewith; a knowledge of water requirements for crop and grasses grown under irrigation, the methods of preparation of land for same, and methods of channel and drain construction and maintenance.

**Cook (Female), Mental Hospital, Ballarat, Mental Hygiene Branch.**

*Yearly Salary.*—£205, minimum; £218, maximum.

*Duties.*—To assist in preparation and cooking of meals.

*Qualifications.*—To possess a knowledge of and experience in large quantity cooking.

**NOTE.**—In addition to the salary rates quoted, a cost of living adjustment at the rate of £20 a year in the case of females, and £30 a year in the case of males, is payable. The rates are subject to variation in accordance with the rise or fall in the index numbers of the cost of living.

Applications (which should be accompanied by evidence of experience and qualifications and a statement of date and place of birth) should be lodged at this office not later than Friday, the 23rd August, 1946.

By order,

J. FRAZER,  
Secretary.

Office of the Public Service Board,  
Melbourne, 6th August, 1946.

**MACHINEMAN, STAMP DUTIES BRANCH, GENERAL DIVISION, DEPARTMENT OF TREASURER.**

**A**PPPLICATIONS will be received by the Public Service Board up to Friday, the 23rd August, 1946, from officers of the Public Service of Victoria, who are qualified, for appointment to the above-mentioned position.

*Yearly Salary.*—£252, minimum; £291, maximum.

*Duties.*—To assist in the embossing of instruments, and to act as Embossing Examiner, when necessary.

*Qualifications.*—To be experienced in the working of embossing machines, and to have a knowledge of the various rates of stamp duty chargeable on Bills of Exchange and other instruments presented for stamping.

**NOTE.**—In addition to the salary rates quoted, a cost of living adjustment at the rate of £30 a year is payable. The rates are subject to variation in accordance with the rise or fall in the index numbers of the cost of living.

By order,

J. FRAZER,  
Secretary.

Office of the Public Service Board,  
Melbourne, 6th August, 1946.

Act No. 3757, Section 66.

REGULATIONS.—TRAVELLING ALLOWANCES.

CHAPTER IX.

**T**HE Public Service Board, in pursuance of the powers vested in it, hereby amends Chapter IX. of the Public Service Regulations, as shown below, and submits the same for the approval of the Governor in Council:—

PART II.—ALLOWANCES TO CERTAIN OFFICERS.

*Department of State Forests.*

Clause 38A.

*For the words—*

Where one horse is used—not exceeding £55 a year.

Where two horses are used—not exceeding £74 a year.

*Read the words—*

Where one horse is used—not exceeding £50 a year.

Where two horses are used—not exceeding £69 a year.

*Department of Water Supply.*

Clause 38c.

*For the words—*

Where one horse is used—not exceeding £55 a year.

Where two horses are used—not exceeding £74 a year.

*Read the words—*

Where one horse is used—not exceeding £50 a year.

Where two horses are used—not exceeding £69 a year.

To take effect as from and inclusive of the 14th July, 1946.

D. D. PAINE, Chairman.

J. FRAZER, Secretary

Office of the Public Service Board,  
Melbourne, 8th July, 1946.

Approved by the Governor in Council,  
30th July, 1946.

C. W. KINSMAN,  
Clerk of the Executive Council,

Act No. 3757, Section 66 (VIII).  
REGULATIONS.—CLASSIFICATION OF GENERAL DIVISION.

CHAPTER VII.

THE Public Service Board, in pursuance of the powers vested in it, hereby amends Chapter VII. of the Public Service Regulations as shown below, and submits the same for the approval of the Governor in Council:—

| Department and Office.   | Yearly Rate of Salary. |          |
|--|------------------------|----------|
|  | Minimum.               | Maximum. |
| DEPARTMENT OF PUBLIC WORKS.  |                        |          |
| PORTS AND HARBOURS.  |                        |          |
| <i>For</i> —   |                        |          |
| Engine-driver of Launches .. .. .                                      | 265                    | 304      |
| Master .. .. .   | 252                    | 304      |
| <i>Read</i> —  |                        |          |
| Engine-driver of Launches .. .. .                                      | 312                    | 338      |
| Master .. .. .   | 312                    | 338      |
| <i>To take effect as from and inclusive of the 1st July, 1946.</i>     |                        |          |
| DEPARTMENT OF AGRICULTURE.   |                        |          |
| <i>Repeal</i> —  |                        |          |
| Storeman, Foreman, Cool Storos .. .. .                                 | 240.                   | 301      |
| DEPARTMENT OF PUBLIC WORKS.  |                        |          |
| <i>Add</i> —   |                        |          |
| Electrical Mechanic .. .. .  | 312                    | 325      |
| <i>To take effect as from and inclusive of the 5th November, 1945.</i> |                        |          |

D. D. PAINE, Chairman.  
J. FRAZER, Secretary.

Office of the Public Service Board,  
Melbourne, 1st, 8th, and 12th July, 1946.

Approved by the Governor in Council,  
30th July, 1946.

C. W. KINSMAN,  
Clerk of the Executive Council.

Act No. 3757, Section 66 (I.).  
REGULATIONS.—PROFESSIONAL DIVISION.

CHAPTER II.

THE Public Service Board, in pursuance of the powers vested in it, hereby amends Chapter II. of the Public Service Regulations as shown below, and submits the same for the approval of the Governor in Council:—

| Department and Office.   | Yearly Rate of Salary. |          |
|--|------------------------|----------|
|  | Minimum.               | Maximum. |
| DEPARTMENT OF PUBLIC WORKS.  |                        |          |
| CLASS "D."   |                        |          |
| <i>Add</i> —   |                        |          |
| Senior Draughtswoman .. .. .                                       | 276                    | 348      |
| <i>To take effect as from and inclusive of the 1st July, 1946.</i> |                        |          |

D. D. PAINE, Chairman.  
J. FRAZER, Secretary.

Office of the Public Service Board,  
Melbourne, 1st July, 1946.

Approved by the Governor in Council,  
30th July, 1946.

C. W. KINSMAN,  
Clerk of the Executive Council.

CONSUL FOR DENMARK.

HIS Excellency the Lieutenant-Governor directs the provisional recognition of Mr. E. Christensen, as Consul for Denmark at Melbourne.

JOHN CAIN,  
Premier.

Premier's Office,  
Melbourne, 2nd August, 1946.

Thornbury Land Act 1932 (No. 4094).

FIXING PRICE TO BE CHARGED FOR BRICKS SUPPLIED TO THE BOARD OF LAND AND WORKS.

HIS Excellency the Lieutenant-Governor of the State of Victoria, by and with the advice of the Executive Council thereof, doth, by an Order made on the 30th day of July, 1946, hereby approve that the price of bricks, as supplied by the Glen Iris Brick, Tile, and Terra Cotta Company Proprietary Limited to the Board of Land and Works for the period commencing the first day of April, 1946, to the thirty-first day of March, 1947, be at the rate of 95s. per thousand.

C. W. KINSMAN,  
Clerk of the Executive Council.

At the Executive Council Chamber,  
Melbourne, the 30th July, 1946.

Local Government Act 1928.

REVOCATION OF ORDER APPLYING VOTING BY POST TO ELECTIONS OF COUNCILLORS OF THE MUNICIPALITY OF THE CITY OF CHELSEA.

HIS Excellency the Lieutenant-Governor of the State of Victoria, by and with the advice of the Executive Council thereof, doth, by Order made on the 30th day of July, 1946, under the provisions of section 148 (3) of the *Local Government Act 1928*, and pursuant to the petition of the Council of the City of Chelsea in that behalf, revoke the Order made by the Governor in Council on the 3rd April, 1944, applying the provisions of Division 15 of Part V. of *The Constitution Act Amendment Act 1928* to the election of councillors for the municipality of the City of Chelsea.

C. W. KINSMAN,  
Clerk of the Executive Council.

At the Executive Council Chamber,  
Melbourne, the 30th July, 1946.

DEPARTMENT OF TREASURER.

CERTIFICATION OF ACCOUNTS.

GENERAL REGULATIONS RESPECTING PUBLIC ACCOUNTS,  
CLAUSE 31.

HIS Excellency the Lieutenant-Governor of the State of Victoria, by and with the advice of the Executive Council thereof, has, by an Order made on the 30th day of July, 1946, under the provisions of clause 31 of the General Regulations respecting Public Accounts, authorized the Engineer-Manager of the Holmesglen Concrete House Production Factory to certify accounts for expenditure in connexion with the said factory.

C. W. KINSMAN,  
Clerk of the Executive Council.

At the Executive Council Chamber,  
Melbourne, the 30th July, 1946.

State of Victoria.  
DRIED FRUITS ACT 1938.

NOTICE.

I WILLIAM GEORGE MCKENZIE, Minister of Agriculture, and acting upon the recommendation of the Victorian Dried Fruits Board, hereby give notice that I have determined that the maximum proportions of dried fruits produced in Victoria in the year One thousand nine hundred and forty-six that may be marketed within Victoria are as follows:—

|                             |               |
|-----------------------------|---------------|
| Dried Currants .. .. .      | 33 per cent.  |
| Dried Sultanas .. .. .      | 22½ per cent. |
| Lexias .. .. .              | 58 per cent.  |
| Dried Ohanez Grades .. .. . | 58 per cent.  |

W. G. MCKENZIE,  
Minister of Agriculture.

Department of Agriculture,  
Melbourne, 23rd July, 1946.

STAMPS ACT 1937.

IN pursuance of the powers contained in the *Stamps Act 1937*, I hereby certify, until further notice, that Maxwell West Gold Mine No Liability is engaged solely or principally in the search or mining for gold.

Dated the 7th day of August, 1946.

W. E. CAMIER,  
Comptroller of Stamps.

## MONEY LENDERS ACT 1938.

IN accordance with the provisions of the above-mentioned Act, the following is published for general information:—

*List of Persons to whom Money Lenders' Licences have been issued for the year ending 30th June, 1947.*

| Name.   | Authorized Name.  | Authorized Address.                           | Date of Issue. |
|---|---|---|----------------|
| Aarons, William .. .. .   | W. Aarons .. .. .   | 118 Queen-street, Melbourne ..                | 1.7.46         |
| Abraham, Isaac, Pty. Ltd. (I. Abraham, appointee)                                   | Isaac Abraham Pty. Ltd. .. ..                                     | 211 Main-street, Ballarat ..                  | 5.7.46         |
| Abraham, M. D. .. .. .  | M. D. Abraham, carrying on business as D. L. Abraham              | 44 Queen-street, Melbourne ..                 | 1.7.46         |
| Adams, Geo. (Finance and Cash Orders) Pty. Ltd. (C. J. Smith, appointee)            | Geo. Adams (Finance and Cash Orders) Pty. Ltd.                    | 89 North-street, Ascot Vale ..                | 1.7.46         |
| Adams, Geo. (Finance and Cash Orders) Pty. Ltd. (G. M. Brooks, appointee)           | Geo. Adams (Finance and Cash Orders) Pty. Ltd.                    | 117 Pall Mall, Bendigo ..                     | 5.7.46         |
| Adams, Geo. (Finance and Cash Orders) Pty. Ltd. (J. N. Honey, appointee)            | Geo. Adams (Finance and Cash Orders) Pty. Ltd.                    | 304 Sydney-road, Brunswick ..                 | 1.7.46         |
| Adams, Geo. (Finance and Cash Orders) Pty. Ltd. (C. S. Jackson, appointee)          | Geo. Adams (Finance and Cash Orders) Pty. Ltd.                    | 351 Smith-street, Fitzroy ..                  | 1.7.46         |
| Adams, Geo. (Finance and Cash Orders) Pty. Ltd. (F. W. Brown, appointee)            | Geo. Adams (Finance and Cash Orders) Pty. Ltd.                    | 429 Chapel-street, South Yarra ..             | 1.7.46         |
| Advance Cash Orders Pty. Ltd. (H. Davis, appointee)                                 | Advance Cash Orders Pty. Ltd. ..                                  | 31 Leeds-street, Footscray ..                 | 1.7.46         |
| Advance Cash Orders Pty. Ltd. (G. Thompson, appointee)                              | Advance Cash Orders Pty. Ltd. ..                                  | 318 High-street, Northcote ..                 | 1.7.46         |
| Advance Cash Orders Pty. Ltd. (J. Gooden-day, appointee)                            | Advance Cash Orders Pty. Ltd. ..                                  | 109 Swanston-street, Melbourne ..             | 1.7.46         |
| Advance Cash Orders Pty. Ltd. (H. Davis, appointee)                                 | Advance Cash Orders Pty. Ltd. ..                                  | 443 Church-street, Richmond ..                | 1.7.46         |
| Amalgamated Cash Orders Pty. Ltd. (S. M. Wilson, appointee)                         | Amalgamated Cash Orders Pty. Ltd.                                 | 255 Smith-street, Fitzroy ..                  | 1.7.46         |
| Amalgamated Cash Orders Pty. Ltd. (S. M. Wilson, appointee)                         | Amalgamated Cash Orders Pty. Ltd. ..                              | 40 Leeds-street, Footscray ..                 | 1.7.46         |
| Amalgamated Cash Orders Pty. Ltd. (S. M. Wilson, appointee)                         | Amalgamated Cash Orders Pty. Ltd. ..                              | Cr. Malop and Moorabool streets, Geelong      | 1.7.46         |
| Amalgamated Cash Orders Pty. Ltd. (S. M. Wilson, appointee)                         | Amalgamated Cash Orders Pty. Ltd. ..                              | 327 Bourke-street, Melbourne ..               | 1.7.46         |
| Amalgamated Cash Orders Pty. Ltd. (S. M. Wilson, appointee)                         | Amalgamated Cash Orders Pty. Ltd. ..                              | 132 Bourke-street, Melbourne ..               | 1.7.46         |
| Assignment Mortgage and Finance Co. Pty. Ltd. (B. Young, appointee)                 | Assignment Mortgage and Finance Co. Pty. Ltd.                     | 422 Collins-street, Melbourne ..              | 1.7.46         |
| Atlas Loan and Finance Co. Pty. Ltd. (T. Marshall, appointee)                       | Atlas Loan and Finance Co. Pty. Ltd.                              | 303-9 Collins-street, Melbourne ..            | 17.7.46        |
| Australian Mont de Piete Loan and Deposit Co. Ltd. (A. J. Thaw, appointee)          | Australian Mont de Piete Loan and Deposit Co. Ltd.                | 330 Little Collins-street, Melbourne          | 18.7.46        |
| Automotive Cycle and Radio Finance Corporation Pty. Ltd. (J. C. C. Carr, appointee) | Automotive Cycle and Radio Finance Corporation Pty. Ltd.          | 451 Elizabeth-street, Melbourne ..            | 17.7.46        |
| Autoterms Ltd. (A. Lewis, appointee) ..   | Autoterms Ltd. .. .. .  | 493 Elizabeth-street, Melbourne ..            | 1.7.46         |
| Avrom Investments Pty. Ltd. (R. S. Connolly, appointee)                             | Avrom Investments Pty. Ltd. ..                                    | 229 Elizabeth-street, Melbourne ..            | 1.7.46         |
| Barnes, W. G. .. .. .   | W. G. Barnes .. .. .  | 284 Plenty-road, Preston ..                   | 1.7.46         |
| Barnett, S. .. .. .   | S. Barnett, carrying on business as Henry Barrett                 | 567 Swanston-street, Carlton ..               | 1.7.46         |
| Booth, E. V. .. .. .  | E. V. Booth .. .. .   | 497 Brunswick-street, North Fitzroy           | 1.7.46         |
| Bowring, C. B. O. .. .. .   | C. B. O. Bowring .. .. .  | 100-4 Queen-street, Melbourne ..              | 1.7.46         |
| Brook Cash Order and Finance Pty. Ltd. (E. Greenberg, appointee)                    | Brook Cash Order and Finance Pty. Ltd.                            | 109 Swanston-street, Melbourne ..             | 1.7.46         |
| Brooks, A. .. .. .  | A. Brooks, carrying on business as the R.H.B. Cash Order Co.      | 99-109 Smith-street, Fitzroy ..               | 1.7.46         |
| Building Guarantee and Discount Co. Ltd. (E. J. Edwards, appointee)                 | Building Guarantee and Discount Co. Ltd.                          | 118 Queen-street, Melbourne ..                | 1.7.46         |
| Burke, M. B. .. .. .  | M. B. Burke .. .. .   | 234 Collins-street, Melbourne ..              | 1.7.46         |
| Burroughs, J. R. .. .. .  | J. R. Burroughs, carrying on business as Unceda Cash Order Co.    | 224 Camberwell-road, Hawthorn East            | 1.7.46         |
| Caplan, N. .. .. .  | N. Caplan, carrying on business as Brunswick Loan Co.             | 365 <sup>b</sup> Lygon-street, East Brunswick | 1.7.46         |
| Carrick, A. .. .. .   | A. Carrick, carrying on business as C. Finance and Cash Order Co. | 183 Elgin-street, Carlton ..                  | 1.7.46         |
| Carrington Finance Co. Pty. Ltd. (A. G. Mavor, appointee)                           | Carrington Finance Co. Pty. Ltd. ..                               | 306 Little Collins-street, Melbourne          | 1.7.46         |
| Case, H. E. .. .. .   | H. E. Case, carrying on business as H. and M. Case                | 38 Osborne-street, Williamstown ..            | 1.7.46         |
| Case, M. A. .. .. .   | M. A. Case, carrying on business as H. and M. Case                | 38 Osborne-street, Williamstown ..            | 1.7.46         |
| Casper, E. .. .. .  | E. Caspor .. .. .   | 272 Bourke-street, Melbourne ..               | 9.7.46         |
| Casper, E. .. .. .  | E. Casper .. .. .   | 225 Chapel-street, Prahran ..                 | 1.7.46         |
| Cassells Finance Pty. Ltd. (W. T. Vickers, appointee)                               | Cassells Finance Pty. Ltd. ..                                     | 45 Paisley-street, Footscray ..               | 1.7.46         |
| Cassells Finance Pty. Ltd. (W. T. Vickers, appointee)                               | Cassells Finance Pty. Ltd. ..                                     | 343 Elizabeth-street, Melbourne ..            | 1.7.46         |
| Cheney, E. A. .. .. .   | E. A. Cheney, carrying on business as F. and E. Cheney            | 146 Hopkins-street, Footscray ..              | 1.7.46         |
| Cheney, J. F. .. .. .   | J. F. Cheney, carrying on business as F. and E. Cheney            | 146 Hopkins-street, Footscray ..              | 1.7.46         |
| City Insurance Finance Corporation Pty. Ltd. (T. D. Pollock, appointee)             | City Insurance Finance Corporation Pty. Ltd.                      | 105 Swanston-street, Melbourne ..             | 2.7.46         |
| Clifford Cash Order Pty. Ltd. (A. H. Temple, appointee)                             | Clifford Cash Order Pty. Ltd. ..                                  | 225 Collins-street, Melbourne ..              | 17.7.46        |
| Commercial Discounters (Victoria) Pty. Ltd. (E. H. Shaw, appointee)                 | Commercial Discounters Pty. Ltd. ..                               | 325 Collins-street, Melbourne ..              | 1.7.46         |

## MONEY LENDERS ACT—continued.

| Name.  | Authorized Name.  | Authorized Address.                          | Date of Issue. |
|--|---|--|----------------|
| Dennis, G. W. .. .. .  | G. W. Dennis .. .. .  | 73 Nicholson-street, Footscray ..            | 1.7.46         |
| Dickens, D. S. .. .. .   | D. S. Dickens, carrying on business as<br>The Elsternwick Cash Order Co.            | 26 Riddell-parade, Elsternwick ..            | 1.7.46         |
| Dome Cash Order Co. Pty. Ltd. (C. I. Watt,<br>appointee)             | Dome Cash Order Co. Pty. Ltd. ..  | 148 Swan-street, Richmond ..                 | 1.7.46         |
| Edwards, F. J. .. .. .   | F. J. Edwards, carrying on business as<br>Alva Trading Agency                       | 4 Winifred-street, Northcote ..              | 1.7.46         |
| Evans, J. W. H. .. .. .  | J. W. H. Evans .. .. .  | 26 Holloway-road, Brunswick West             | 1.7.46         |
| Everyone's Finance Co. Pty. Ltd. (H. L.<br>Whykes, appointee)        | Everyone's Finance Co. Pty. Ltd. ..   | 41 Lydiard-street south, Ballarat            | 1.7.46         |
| Extension Agency Pty. Ltd. (T. Mather,<br>appointee)                 | Extension Agency Pty. Ltd. ..   | 172A Flinders-street, Melbourne ..           | 1.7.46         |
| Field, K. E. .. .. .   | K. E. Field, carrying on business as The<br>Star Cash Order and Finance Co.         | 48 Leeds-street, Footscray ..                | 1.7.46         |
| Field, K. E. .. .. .   | K. E. Field, carrying on business as the<br>Star Cash Order and Finance Co.         | 375 Bridge-road, Richmond ..                 | 1.7.46         |
| Finks, D. M. .. .. .   | D. M. Finks, carrying on business as the<br>Carlton Cash Order Co.                  | 308 Lygon-street, Carlton ..                 | 1.7.46         |
| Fleet Investments Pty. Ltd. (V. S. Low,<br>appointee)                | Fleet Investments Pty. Ltd. ..  | 60 Collins-place, Melbourne ..               | 1.7.46         |
| Fleming, M. .. .. .  | M. Fleming, carrying on business as<br>Archie Wells Finance and Cash Order<br>Co.   | 17 The Centreway, Chapel-street,<br>Prahran  | 1.7.46         |
| Fowler, D. W. .. .. .  | D. W. Fowler, carrying on business as<br>P.B. Supply and Finance Office             | 198 Bridport-street, Albert Park ..          | 1.7.46         |
| Goldberg, G. M., as nominee for ..                                   | R. Goldberg, deceased .. .. .   | 116 Queen-street, Melbourne ..               | 1.7.46         |
| Grant, Geo. Pty. Ltd. (E. Jansen, appointee)                         | Geo. Grant Pty. Ltd. .. .. .  | 33 Bridge-road, Richmond ..                  | 1.7.46         |
| Green, S. .. .. .  | S. Green .. .. .  | 408 Collins-street, Melbourne ..             | 7.7.46         |
| Griffiths Bros. Credits Pty. Ltd. (J. H.<br>Struss, appointee)       | Griffiths Bros. Credits Pty. Ltd. ..  | 26-30 Flinders-street, Melbourne ..          | 19.7.46        |
| Hall, Harry, Pty. Ltd. (T. C. Wood, ap-<br>pointee)                  | Harry Hall Pty. Ltd. .. .. .  | 81 Nicholson-street, Footscray ..            | 1.7.46         |
| Hall, Harry, Pty. Ltd. (H. C. Duffield,<br>appointee)                | Harry Hall Pty. Ltd. .. .. .  | 131 Ryrie-street, Geelong ..                 | 1.7.46         |
| Hall, Harry, Pty. Ltd. (H. A. Phillips,<br>appointee)                | Harry Hall Pty. Ltd. .. .. .  | 57 Swanston-street, Melbourne ..             | 1.7.46         |
| Hall, Harry, Pty. Ltd. (L. O. Worland,<br>appointee)                 | Harry Hall Pty. Ltd. .. .. .  | 389 Bridge-road, Richmond ..                 | 1.7.46         |
| Hall, J. .. .. .   | J. Hall .. .. .   | 58 North-road, Newport ..                    | 1.7.46         |
| Harris, E. H. .. .. .  | E. H. Harris .. .. .  | 285 Barkly-street, Footscray ..              | 1.7.46         |
| Hastings, C. I. .. .. .  | C. I. Hastings, carrying on business as<br>Quick Service Finance Co.                | 473 Bourke-street, Melbourne ..              | 9.7.46         |
| Hocking, J. B. .. .. .   | J. B. Hocking .. .. .   | 69 Ryrie-street, Geelong ..                  | 1.7.46         |
| Hore, D. E. A. .. .. .   | Carrying on business as Horton Cash<br>Order Co.                                    | 64 Elizabeth-street, Melbourne ..            | 15.7.46        |
| Horsington, W. F. .. .. .  | W. F. Horsington, carrying on business<br>as Aussie Finance Co.                     | 6 Paisley-street, Footscray ..               | 1.7.46         |
| Ireland, T. M. .. .. .   | T. M. Ireland .. .. .   | 229 Collins-street, Melbourne ..             | 1.7.46         |
| Irons, J. F. .. .. .   | J. F. Irons .. .. .   | 1 Woodlawn-street, Richmond ..               | 1.7.46         |
| Izzard, H. W. .. .. .  | H. W. Izzard .. .. .  | 135 Woodlands-road, Essendon ..              | 1.7.46         |
| Jansen, E. .. .. .   | E. Jansen .. .. .   | 119 Swanston-street, Melbourne ..            | 1.7.46         |
| Jenkins, Stephen Alexander .. .. .                                   | S. A. Jenkins .. .. .   | 140A Station-street, Fairfield ..            | 11.7.46        |
| Johnson, E. E. .. .. .   | E. E. Johnson, carrying on business as<br>Vestor Finance Co.                        | 149A Pakington-street, Geelong<br>West       | 1.7.46         |
| Jones, Marcus, Pty. Ltd. (M. Southwick,<br>appointee)                | Marcus Jones Pty. Ltd. .. .. .  | 49 Elizabeth-street, Melbourne ..            | 5.7.46         |
| Jubilee Investments Pty. Ltd. (M. S.<br>Sheezel, appointee)          | Jubilee Investments Pty. Ltd. ..  | Cr. Bourke and Russell streets,<br>Melbourne | 1.7.46         |
| K. and G. Business Finance Pty. Ltd. (G.<br>A. Greenaway, appointee) | K. and G. Business Finance Pty. Ltd.  | 28 Elizabeth-street, Melbourne ..            | 1.7.46         |
| *Kiernan, E. L. .. .. .  | E. L. Kiernan, carrying on business as<br>"K" Cash Order Co.                        | 220-228 Smith-street, Collingwood            | 1.7.46         |
| *Kiernan, E. L. .. .. .  | E. L. Kiernan, carrying on business as<br>"K" Cash Order Co.                        | 189 Bourke-street, Melbourne ..              | 1.7.46         |
| Kiernan, F. A. .. .. .   | F. A. Kiernan, carrying on business as<br>"K" Cash Order Co.                        | 220-228 Smith-street, Collingwood            | 1.7.46         |
| Kiernan, F. A. .. .. .   | F. A. Kiernan, carrying on business as<br>"K" Cash Order Co.                        | 189 Bourke-street, Melbourne ..              | 1.7.46         |
| Knibb, J. E. .. .. .   | James Knibb .. .. .   | 80 Swanston-street, Melbourne ..             | 1.7.46         |
| Knight, Ella May .. .. .   | Ella May Knight, carrying on business<br>as H. Flanagan                             | 5 Bath-lane, Ballarat ..                     | 1.7.46         |
| Lawson Trading Co. Pty. Ltd. (A. G. Maver,<br>appointee)             | Lawson Trading Co. Pty. Ltd. ..   | 230 Collins-street, Melbourne ..             | 1.7.46         |
| Leon Finance Co. Pty. Ltd. (L. M. Sheezel,<br>appointee)             | Leon Finance Co. Pty. Ltd. ..   | Cr. Bourke and Russell streets,<br>Melbourne | 1.7.46         |
| Livingston, L. A. .. .. .  | L. A. Livingston, carrying on business as<br>General Cash Order Co.                 | 270 Bridge-road, Richmond ..                 | 1.7.46         |
| Love, Edward, and Co. Pty. Ltd. (M. S.<br>Sheezel, appointee)        | Edward Love and Co. Pty. Ltd. ..  | 470 Chapel-street, South Yarra ..            | 1.7.46         |
| Madden, T. W. .. .. .  | T. W. Madden .. .. .  | 495 Collins-street, Melbourne ..             | 1.7.46         |
| Marshall, J. D. .. .. .  | J. D. Marshall .. .. .  | 13 Miller-street, Thornbury ..               | 1.7.46         |
| Mather, T. G. .. .. .  | T. G. Mather, carrying on business as<br>Swanston Trading Agency                    | 109 Swanston-street, Melbourne ..            | 1.7.46         |
| Mathews, V. R. .. .. .   | V. R. Mathews, carrying on business as<br>The Grattan Finance and Cash Order<br>Co. | 209 Lygon-street, Carlton ..                 | 1.7.46         |
| Mayer, H. E. .. .. .   | H. E. Mayer .. .. .   | 349 Collins-street, Melbourne ..             | 1.7.46         |

\* Licence for which no fee is payable.

## MONEY LENDERS ACT—continued.

| Name.  | Authorized Name.   | Authorized Address.                     | Date of Issue. |
|--|--|---|----------------|
| Melbourne Finance and Cash Order Co. Pty. Ltd. (M. Southwick, appointee)                         | Melbourne Finance and Cash Order Co. Pty. Ltd.                                       | 49 Elizabeth-street, Melbourne ..       | 5.7.46         |
| Mills, F. E.   | F. E. Mills  | 64 Elizabeth-street, Melbourne ..       | 15.7.46        |
| Mutual Finance Co. Pty. Ltd. (E. Jansen, appointee)  | Mutual Finance Co. Pty. Ltd.   | 57 Swanston-street, Melbourne ..        | 1.7.46         |
| Mutual Traders Credits Pty. Ltd. (B. Redapple, appointee)  | Mutual Traders Credits Pty. Ltd.   | 121-123 Johnston-street, Fitzroy ..     | 1.7.46         |
| The New South Wales Monte de Pieta Deposit and Investment Co. Ltd. (N. Hookway, appointee)       | The New South Wales Monte de Pieta Deposit and Investment Co. Ltd.                   | 309-11 Little Collins-street, Melbourne | 1.7.46         |
| The New South Wales Monte de Pieta Deposit and Investment Co. Ltd. (H. W. Stephenson, appointee) | The New South Wales Monte de Pieta Deposit and Investment Co. Ltd.                   | 349 Swanston-street, Melbourne ..       | 1.7.46         |
| New Trading Agency Pty. Ltd. (G. R. Angus, appointee)  | New Trading Agency Pty. Ltd.   | 163 Swanston-street, Melbourne ..       | 1.7.46         |
| Pembroke, F.   | F. Pembroke  | 57 Elizabeth-street, Melbourne ..       | 15.7.46        |
| Prahran Cash Order Pty. Ltd. (H. E. Goss, appointee)   | The Prahran Cash Order Pty. Ltd.   | 26 The Centreway, Prahran ..            | 1.7.46         |
| Provident Trading Agency Pty. Ltd. (J. F. Kendall, appointee)                                    | Provident Trading Agency Pty. Ltd.   | 51 Leeds-street, Footscray ..           | 1.7.46         |
| Rabinov, Harry   | H. Rabinov   | 524 City-road, South Melbourne ..       | 1.7.46         |
| Rabinov, S.  | S. Rabinov, carrying on business as Simplex Finance and Cash Order Co. Rechners Ltd. | 75 Crockford-street, Port Melbourne     | 1.7.46         |
| Rechners Ltd. (R. B. Rechner, appointee)   | J. Redapple, carrying on business as Footwear Distributors Co.                       | 245 Latrobe-street, Melbourne ..        | 1.7.46         |
| Redapple, J.   | A. A. Reddan, carrying on business as "K" Cash Order Co.                             | 121-123 Johnston-street, Fitzroy ..     | 1.7.46         |
| Reddan, A. A.  | A. A. Reddan, carrying on business as "K" Cash Order Co.                             | 220-8 Smith-street, Collingwood ..      | 1.7.46         |
| Reddan, A. A.  | L. Rosen, carrying on business as Roseen Cash Order Co.                              | 189 Bourke-street, Melbourne ..         | 1.7.46         |
| Rosen, L.  | L. Rosen, carrying on business as Roseen Cash Order Co.                              | 666 Sydney-road, Brunswick ..           | 1.7.46         |
| Rosen, L.  | L. Rosen, carrying on business as Roseen Cash Order Co.                              | 412 Brunswick-street, Fitzroy ..        | 1.7.46         |
| Scates, R. P.  | R. P. Scates, carrying on business as Assurance Cash Order Co.                       | 16 Koornang-road, Carnegie ..           | 1.7.46         |
| Searson, A. J.   | A. J. Searson, carrying on business as Harold Scott                                  | 296 Collins-street, Melbourne ..        | 1.7.46         |
| Searson, A. J.   | A. J. Searson, carrying on business as Harold Scott                                  | 8 Centreway, Chapel-street, Prahran     | 1.7.46         |
| Adam Smith (Finance and Cash Orders) Pty. Ltd. (P. J. Keirce, appointee)                         | Adam Smith (Finance and Cash Orders) Pty. Ltd.                                       | 11 Elizabeth-street, Melbourne ..       | 1.7.46         |
| Adam Smith (Finance and Cash Orders) Pty. Ltd. (T. H. Walsh, appointee)                          | Adam Smith (Finance and Cash Orders) Pty. Ltd.                                       | 519 High-street, Northcote ..           | 1.7.46         |
| Smith, C. D. J.  | C. D. J. Smith, carrying on business as The Smith Cash Order Co.                     | 194 Bank-street, South Melbourne        | 1.7.46         |
| Smith, D.  | D. Smith   | 153 Chapel-street, St. Kilda ..         | 1.7.46         |
| Steele, S. C.  | S. C. Steele   | 57 Elizabeth-street, Melbourne ..       | 5.7.46         |
| Steward, E. J.   | E. J. Steward, carrying on business as Swanston Trading Agency                       | 109 Swanston-street, Melbourne ..       | 1.7.46         |
| Swan Cash Orders Pty. Ltd. (T. D. Pollock, appointee)  | Swan Cash Orders Pty. Ltd.   | 383 Brunswick-street, Fitzroy ..        | 1.7.46         |
| Swift's Pty. Ltd. (I. L. Schroeder, appointee)   | Swift's Pty. Ltd.  | 257-9 Swanston-street, Melbourne        | 1.7.46         |
| The Towns Supply Co. Pty. Ltd. (N. W. Towns, appointee)  | The Towns Supply Co. Pty. Ltd.   | 105 Swanston-street, Melbourne ..       | 2.7.46         |
| The Towns Supply Co. Pty. Ltd. (N. W. Towns, appointee)  | The Towns Supply Co. Pty. Ltd.   | 216 Glenferrie-road, Glenferrie ..      | 1.7.46         |
| Universal Cash Orders Pty. Ltd. (E. Greenberg, appointee)  | Universal Cash Orders Pty. Ltd.  | 109 Swanston-street, Melbourne ..       | 1.7.46         |
| Universal Shopping and Finance Co. Pty. Ltd. (C. A. Pitman, appointee)                           | Universal Shopping and Finance Co. Pty. Ltd.   | 327 Bourke-street, Melbourne ..         | 1.7.46         |
| Warn, J.   | J. Warn  | 243 Collins-street, Melbourne ..        | 1.7.46         |
| Watkins, W. E.   | W. E. Watkins  | 317 Collins-street, Melbourne ..        | 4.7.46         |
| White, L. G.   | L. G. White, carrying on business as Cleveland and Co.                               | 94 Elizabeth-street, Melbourne ..       | 1.7.46         |
| Wright, M. H.  | M. H. Wright   | 138 Little Malop-street, Geelong ..     | 1.7.46         |



Transport Regulation Acts.  
TRANSPORT REGULATION BOARD.

## NOTICES OF PUBLIC HEARINGS.

NOTICE is hereby given that the applications lodged by the persons named below for licences to operate the commercial passenger or commercial goods vehicles on the route or routes, or in the manner set out opposite their names, will be heard at a time and place to be communicated to the parties:—

*Name of Applicant; Nature of Application.*

- DUNN, C. H.; 1 commercial passenger vehicle, with seating capacity for 16 persons, to operate as a stage omnibus between the Moorabbin Railway Station and Mentone Railway Station, via Point Nepean-road and Swanston-street.
- RIGG, E. A.; 1 commercial passenger vehicle, with seating capacity for 5 persons, for the carriage of passengers at separate and distinct fares for each passenger within 10 miles of Red Cliffs.
- HARRISON, G. F.; application for variation of temporary "A" licence:—(a) To extend trip leaving Mansfield 10 p.m. Friday and arriving Mirimbah 11 p.m. to continue to Mount Buller Chalet, arriving there about 11.30 p.m. (b) to leave Mirimbah at 9.45 p.m. on Sunday and proceed to Mr. Buller, arriving at Chalet 10.15 p.m., pick up skiers, and return to Mirimbah, arriving there at 10.45 p.m., and proceeding thence to Mansfield, arriving Mansfield at 11.45 p.m. Fares:—Single, Mansfield-Mount Buller, £1; return, £2.
- KIRBY, S. W.; 1 commercial passenger vehicle, with seating capacity for five persons, to operate:—(a) For the carriage of passengers, at separate and distinct fares for each passenger, within 5 miles of Maryborough. (b) private hire within an unspecified radius.
- MURRAY VALLEY COACHES PTY. LTD.; application for variation of "A" licences to delete "Condition as to time-table—Not more than one return trip shall be operated on Saturday only of each week, between Albury and Mount Buffalo, so as to depart from Albury at 8 a.m., and to depart from Mount Buffalo on the return journey at 2.45 p.m." and to include—"Not more than one return trip daily may be operated from Sunday to Saturday inclusive of each week between Albury and Mount Buffalo as and when required."
- OLLERENSHAW, W.; 1 commercial passenger vehicle, to be purchased, to operate as a stage omnibus between Albury, Wodonga, Yackandandah, Myrtleford, Porepunkah, and Mount Buffalo.
- TRARALGON BUS SERVICE; 3 commercial passenger vehicles, with seating capacity for 7, 11, and 5 persons respectively, to operate as follows:—(a) Between Yarram and Traralgon, via Devon North, Mack's Creek, Balook, Calignee, Calignee South, Calignee North, Le Roy Junction, and Traralgon South. (b) between Yarram and Traralgon, via Won Wron, McAlpine's, Carrajung Lower, Carrajung, Willung South, Gormondale, and Flynn's Creek Upper—for the carriage of mails and parcels, &c., under similar conditions to temporary "A" licences held by G. C. Tomasetti.
- WOODS, G. M.; application to substitute 16 seater vehicle on licence A.1125.
- WOODS, G. M.; application for variation of licence A.1125 to operate the following additional trip on Saturday nights only between Timboon and Warrnambool:—Leave Timboon 6.15 p.m., depart Warrnambool 11.45 p.m.
- WOOD, S.; application for variation of licence A.1083 to delete the existing time-table:—"Mondays to Fridays inclusive—Leave Dandenong 12 noon, leave Cranbourne 2 p.m." and substitute the following:—"Mondays to Fridays inclusive—Leave Dandenong 11.20 a.m., leave Cranbourne 12.05 p.m."
- WOOD, S.; application for variation of licence applied for (Bembridge-Devon Meadows) to operate an additional vehicle on—(1) portion of the route between Cranbourne and Frankston, via Langwarren, (2) the route between Pearceedale and Frankston, leaving Cranbourne 8 a.m., thence to Pearceedale via Cranbourne-road, thence via the Pearceedale-Frankston route to Frankston, returning via the same routes, leaving Frankston 4 p.m., arriving Cranbourne 5 p.m.
- WOOD, S.; application for variation of licence A.1082 to vary the present route on Mondays to Fridays inclusive in each week on the trips at present leaving Frankston at 7.45 a.m. and 4.15 p.m., by substituting the following:—"Leave Frankston 7.45 a.m. and 4.15 p.m., thence via Hastings-road and Pearceedale-road to the junction of the Pearceedale-road and the Tyabb-Tooradin road, leaving the said junction at 8.15 a.m. and 5 p.m. respectively, return via Pearceedale-road and Hastings-road to Frankston.
- WOOD, S.; application for variation of licence applied for (Bembridge-Devon Meadows) to add the following additional route on the following time-table:—To operate between Cranbourne and Frankston via the Cranbourne-road, Pearceedale, Cranbourne-road, Robinson's-road, Golf Links-road, and Hastings-road, Monday to Friday—Leave Cranbourne 8 a.m., leave Frankston 4 p.m.
- YALLOUN PASSENGER SERVICES PTY. LTD.; 1 commercial passenger vehicle, with seating capacity for 58 persons, as an additional vehicle on licensed routes.
- ANDERSON, J. C.; application for renewal of licence D.2999, allowing operations as follows:—(a) General goods 20 miles Drysdale, (b) from and to places within 20 miles Drysdale to and from places within 50 miles Drysdale, and to and from Colac—dairy cattle and farm requisites, being the property of the holder of the licence.
- CLAUDE NEON LIGHTS (VICTORIA) LTD.; 2 commercial goods vehicles, with load capacity for 60 and 70 cwt., for the carriage of own goods, viz., advertising signs, lighting equipment, glass tubing, and electrical goods throughout Victoria.
- MEYER, P., AND SON; 1 commercial goods vehicle, for the carriage of road contracting plant and material throughout Victoria.
- PODEVIN, G. G.; 1 commercial goods vehicle for the carriage of:—(a) General goods 25 miles Ballarat, (b) fruit and vegetables between Melbourne and Ballarat.
- ROCHE BROS. PTY. LTD.; 2 commercial goods vehicles, with load capacity for 12 cwt. and 15 cwt. respectively, for the carriage of surveying instruments and pegs throughout Victoria.
- RYAN, J.; application for renewal of licence D.1554, allowing operations as follows:—From and to Orbost to and from places on or reached from the Bonang Highway between Orbost and the Border of New South Wales, and from and to Orbost to and from the border of New South Wales en route to Delegate and Bombala, New South Wales—general goods.
- BULMER, J.; 1 commercial passenger vehicle, with seating capacity for 14 persons, to operate as follows:—(a) School service, Mansfield-Howe's Creek, (b) charter 20 miles Mansfield, and to Alexandra, Yea, Marysville, Euroa, Benalla, Wangaratta, Mount Buller, Woods Point.
- CARRUTHERS, S. G.; 1 commercial passenger vehicle, with seating capacity for 5 persons, to operate as follows:—(a) For the carriage of passengers, at separate and distinct fares for each passenger, within 5 miles Moe, (b) private hire within 20 miles Moe.
- CHAPMAN, C. G.; application for variation of "A" licence, to be issued to include charter conditions within 20 miles Kerang.
- DYSON'S PENINSULA MOTORS PTY. LTD.; application for authority to operate in Victoria in the conduct of a round tour, commencing either from Sydney or Melbourne, and passing through the principal cities and towns in Victoria, South Australia, New South Wales, and Queensland, travelling on the forward journey to Adelaide via Mt. Gambier, and returning from Sydney via the Murray Valley Highway to Echuca, and thence via the Hume Highway, for the carriage of members of organizations from Wellington, New Zealand.
- LORNE TOURIST BUREAU (REG.) (A division of Fletchers Motor Services Pty. Ltd.); 3 commercial passenger vehicles, with seating capacity for 14, 11, and 5 persons respectively, to operate as follows:—
- (a) Schedule of tours—
1. Lorne to Apollo Bay and return via Dean's Marsh, Forrest, and Turton's Pass, returning via Great Ocean-road—15s. return.
  2. Lorne to Apollo Bay and return via Great Ocean-road, Skene Creek-road, Turton's Pass, returning via Great Ocean-road—12s. 6d. return.
  3. Lorne to Erskine Falls and return—4s. return.
  4. Lorne to Cora Lynn Falls and return—4s. return.
  5. Lorne to Cumberland River and return—4s. return.
  6. Lorne to Stony Creek and Paradise and return—3s. 6d. return.
  7. Lorne to Wymbolij and return—7s. 6d. return.
  8. Lorne to Allenvale and return—3s. 6d. return.
- (b) In addition, the vehicles to be operated as additional vehicles on the licensee's road passenger service between Geelong and Lorne as required by Fletchers Motor Services Pty. Ltd.
- (c) Charter to surrounding districts for football, races, dances.
- FLOOD, T. R.; 1 commercial passenger vehicle, with seating capacity for 27 persons, to operate as a stage omnibus between Bendigo and Echuca:—Saturdays—leave Bendigo 6 p.m., Sundays—leave Echuca 7 a.m., leave Bendigo 1 p.m., leave Echuca 4.30 p.m., leave Bendigo 11 p.m., Monday—leave Echuca 8 a.m.

HART, W. W.; 2 commercial passenger vehicles, with seating capacity for 27 persons each, to operate on the following tours:—

1. Box Hill, Melbourne, Daylesford, Hepburn Springs, Woodend.
2. Box Hill, Camberwell, Gisborne, Woodend, Hanging Rock, Macedon, Sunbury.
3. Box Hill, Lilydale, Mt. Slide, Toolangi, Healesville, Wild Life.
4. Box Hill, Oakleigh, Frankston, Mornington, Dromana, Sorrento, Cape Schanck, Flinders, Hastings.
5. Box Hill, Melbourne, Werribee, Geelong, Winchelsea, Dean's Marsh, Lorne, returning via Ocean-road.
6. Box Hill, Lilydale, Coldstream, Healesville, Narbethong, Warburton via Acheron Way.
7. Box Hill, Oakleigh, Dandenong, Cranbourne, Tooradin, Lang Lang, Drouin.
8. Box Hill, Oakleigh, Berwick, Warragul, Moe, Gould, Erica, Walhalla.
9. Box Hill, Oakleigh, Dandenong, Cranbourne, Tooradin, Lang Lang, San Remo, Cowes.
10. Box Hill, Gisborne, Woodend, Kyneton, Malmesbury, Castlemaine, Bendigo.

LANE'S BUS SERVICE; 1 commercial passenger vehicle, with seating capacity for 5 persons, to operate as follows:—(a) Separate and distinct fares 5 miles Port Fairy, (b) private hire 30 miles Port Fairy, (c) separate fares between Port Fairy and racecourses at Koroit and Warrnambool on race days.

LITTLEHALES, J. H.; application for variation of licences A.278 and A.711 to include a week-end service between Warragul and Dandenong:—Leave Warragul 1.15 p.m. Saturday, leave Dandenong 6.30 p.m. Sunday.

MALONEY, M. M.; 1 commercial passenger vehicle, with seating capacity for six persons, to operate as follows:—(a) Stage omnibus 8 miles Wangaratta, (b) private hire 20 miles Wangaratta—under the same conditions as licence A.1302 now held by H. A. Maloney.

MATHES, R. V.; 1 commercial passenger vehicle, with seating capacity for 5 persons, to operate for the carriage of passengers, at separate and distinct fares for each passenger, within 5 miles Shepparton.

MONAHAN, V. J.; 1 commercial passenger vehicle, to be purchased, to operate as a stage omnibus between Lockington and Melbourne.

MCGINTY, L. S.; 1 commercial passenger vehicle, with seating capacity for 5 persons, to operate as follows:—(a) Separate and distinct fares 6 miles Casterton, (b) private hire throughout Victoria.

CAMPBELL BROS. BUS SERVICE; 1 commercial passenger vehicle, with seating capacity for 17 persons, for the carriage of school children between Bearii, Waaia, and Numurkah.

THOMAS, A.; 1 commercial passenger vehicle, with seating capacity for 14 persons, for the carriage of miners between Inverloch and Wonthaggi.

TURNER, R. A., and HORNSBY, W. N.; 1 commercial passenger vehicle, with seating capacity for 5 persons, to operate as follows:—(a) Separate and distinct fares 5 miles Red Cliffs, (b) private hire 50 miles Red Cliffs.

YALLOURN PASSENGER SERVICE PTY. LTD.; application for variation of "A" licences to delete return fare of 1s. 6d. from Moe East No. 1 Shelter to Yallourn, and include a new section from Moe East No. 1 Shelter to Yallourn at a fare of 1s. 3d. single.

YALLOURN PASSENGER SERVICE PTY. LTD.; 1 commercial passenger vehicle, with seating capacity for 70 persons, as an additional vehicle on licensed routes.

BENTLEY, A. H.; application for variations of licences A.746, A.810, A.1334, and vehicle registered No. FY-318, to operate—

*As to vehicles, A.746, A.810, A.1334, and FY-318.*

*As a touring omnibus on any of the following day tours:—*

1. From Castlemaine to Hepburn Springs, returning via Daylesford, Trentham, and Kyneton, to Castlemaine. Fare, including lunch, 10s.
2. From Castlemaine via Daylesford, Ballarat, Ballan, Bacchus Marsh, Gisborne, Woodend, Kyneton, Malmesbury, Taradale, return to Castlemaine. Fare, including lunch, 16s.
3. From Castlemaine via Kyneton, Woodend, Macedon, to Melbourne, St. Kilda, and Brighton beaches, return via Bacchus Marsh, Ballan, and Daylesford, to Castlemaine. Fare, including lunch, 16s.
4. From Castlemaine via Carisbrook, Maryborough, Avoca, Ararat, Stawell, to the Grampians and Hall's Gap, return via Beaufort, Ballarat, and Daylesford to Castlemaine. Fare £1 5s., including lunch.
5. From Castlemaine via Daylesford and Bacchus Marsh to Geelong, return via Melbourne, Gisborne, Woodend, and Kyneton to Castlemaine. Fare, including lunch, £1.

*As to licence A.1334.*

*As a touring omnibus on any of the following half-day tours:—*

1. From Castlemaine to Harcourt via Specimen Gully, Wattle Area to the State Quarries, thence to Gold Cairn to Harcourt Reservoir, McMahon's Gap via Faraday Expedition Pass, Golden Point Reservoir, Chewton, Wattle Gully Gold Mines, Fryerstown to Vaughan Springs, thence direct to Castlemaine.
2. From Castlemaine via Muckleford, Newstead, Strangways, Guildford to Vaughan Springs, thence alternatively via Yapeen or Chewton to Castlemaine.
3. From Castlemaine to Vaughan Springs via Muckleford, Maldon, Mount Tarrangower, Newstead, Guildford, thence to Strangeways and Chewton to Castlemaine.
4. From Castlemaine to the Koala Bear Sanctuary at Mt. Alexander and return.

*As to licence A.746.*

*To operate as a stage omnibus between Castlemaine and Melbourne, via Kyneton, Woodend, and Gisborne, on Sundays only, on the following time-table:—Leave Castlemaine 9 a.m., leave Melbourne 7.30 p.m.*

*As to licence A.1334.*

*To operate under charter conditions as authorized in respect of other licensed vehicles of the applicant:—*

One commercial passenger vehicle, with seating capacity for 32 persons, to be purchased to operate as follows:—(a) Stage omnibus Castlemaine-Cairn Curran (near Baringhup), (b) under charter conditions as authorized in respect of other licensed vehicles of the applicant, (c) as a touring omnibus on tours 1 to 5, and 1 to 4, as set out above, (d) interchangeably with any other licensed vehicle of the operator on any other route.

One commercial passenger vehicle, with seating capacity for 17 persons, to operate as follows:—(a) As a stage omnibus between Castlemaine and the Wattle Gully Gold Mines on the following time-table:—Leave Castlemaine 3.30 p.m., leave Wattle Gully Mines 12.15 a.m., (b) as a substitute vehicle for any other licensed vehicle of the applicant.

**A** PPLICATIONS for licences to operate commercial passenger vehicles, with seating capacity for 5 persons, for the carriage of passengers for reward, otherwise than at separate and distinct fares for each passenger, throughout Victoria:—

ABASSIA MOTORS; Kew.  
 BRYDEN, J.; Oakleigh.  
 COLVIN, A. S.; Koo-wee-rup.  
 CARRUTHERS, S. G.; Coburg.  
 KENNEDY, J.; Hampton.  
 COULTER, I.; Woodend.  
 GANGE, A. J.; Fitzroy (three vehicles).  
 GREEN, G. J.; Armadale.  
 HICKS, A. A.; Ballarat.  
 HOWARD, N. R.; Moorabbin.  
 LLOYD, J. T.; Mildura.  
 MATHESON, M. D.; Chelsea.  
 MEDHURST, A. H.; Ringwood.  
 ROLINS, E. M.; Woodend.  
 MCCOY, M. K.; St. Kilda.  
 RANDALL, K. E.; Fitzroy.  
 ROWE, E. W.; West Brunswick.  
 SCHROETER BROS.; Winchelsea.  
 SIM, C. H.; Morwell.  
 SMITH, R.; Werribee.  
 TRIFFETT, C. A.; Springhurst.  
 THOMSON, P. McG.; Parkdale.  
 WARD, J. McD.; Thornbury.

**N**OTICE is hereby given that the applications made by the persons named below for licences to operate the commercial passenger or goods vehicles in the manner set out hereunder, the numbers of which are set out in each case, will be heard at a time and place to be communicated to the parties:—

*Name and Address: Application Lodged in Following Terms; Licence No.; Expiry Date.*

CAHILL & MCMAHON MOTORS PTY. LTD., Yarrowonga; (a) Yarrowonga-Cobram, (b) Yarrowonga-Katamatite, (c) parcels up to 50 lb.; A.1118; 8th July, 1946.  
 CROTON, A. J., Kerang; (a) Kerang—and a point 6 miles north of Murrabit, (b) parcels up to 14 lb.; A.1130; 7th July, 1946.  
 DAVIS, H. A., MOTOR SERVICE PTY. LTD., Ballarat; charter conditions within 50 miles Ballarat; C.133, C.134, C.137; 18th July, 1946.

FERGUSON, S. V., Sale; Sale-Stratford-Newry; A.174; 8th July, 1946. (a) Sale-Stratford-Maffra, (b) school service, Briagalong, Sale; A.581; 8th July, 1946. Sale-Stratford-Maffra; A.823; 8th July, 1946.

HITCHINS, R. M., Hill End; (a) Fumina South-Moe, (b) mails may be carried; A.1103; 26th July, 1946.

HUDSON, G. W., Geelong West; Geelong via Inverleigh, Cressy, Lismore, Derrinallum, Darlington; A.567, A.568; 12th July, 1946.

LESLIE, W., Minyip; Japarit-Dimboola, school service; A.1104; 16th July, 1946.

SMITH, H., Mordialloc; (a) Mordialloc Railway Station-Epsom Racecourse, (b) Mentone Railway Station-Mentone Racecourse, (c) Stage omnibus, within the corporate limits of the City of Mordialloc, (d) private hire 20 miles Mordialloc; A.447; 22nd June, 1946.

Notice of any objection should be forwarded to reach the Secretary to the Board not later than Wednesday, the 21st August, 1946.

E. V. FIELD,  
Secretary.

Exhibition Buildings, Rathdown-street, Carlton, 6th August, 1946.

#### CITY OF SOUTH MELBOURNE.

DECISION OF MINISTER THAT A CERTAIN RIGHT-OF-WAY IN SOUTH MELBOURNE IS NOT REQUIRED FOR PUBLIC TRAFFIC.

WHEREAS a certain right-of-way, part of right-of-way No. 289, all that portion of land being part of Crown allotment 20, section 53, City of South Melbourne, Parish of Melbourne South, County of Bourke: Commencing from a point 74 ft. 8 in. south-east of junction of right-of-way and Gladstone-street, said point being distant 264 ft. 6 in. south-west from Montague-street; thence south-easterly a distance of 71 ft. 6 in., south-westerly a distance of 10 feet, north-westerly a distance of 71 ft. 6 in., and north-easterly a distance of 10 feet to commencing point, and coloured red on the plan attached to correspondence LG 46/658 deposited in the office of the Public Works Department, Melbourne, is situated within the municipal district of the City of South Melbourne and was declared a public highway by notice published in the *Government Gazette* of the 8th September, 1909.

And whereas it is alleged that the said right-of-way is no longer required for public traffic, and the question whether the said right-of-way is or is not required for public traffic has been referred to the Council of the said City of South Melbourne and to the Honorable Patrick John Kennelly, in his capacity as the responsible Minister of the Crown, for the time being administering section 549 of the *Local Government Act 1928*.

Now therefore the said Council and the said Honorable Patrick John Kennelly, as such Minister as aforesaid, having taken the said question into their consideration, do, under the powers vested in them by this present instrument under the common seal of the City of South Melbourne and the hand and seal of the said Honorable Patrick John Kennelly, as such member as aforesaid, hereby decide that the said right-of-way is not required for public traffic.

Dated the eighteenth day of June, in the year of our Lord One thousand nine hundred and forty-six.

The common seal of the City of South Melbourne was hereto affixed, in the presence of—

(SEAL) W. ELLIOTT WELLS, Mayor.  
H. ALEXANDER, Town Clerk.

Signed, sealed, and delivered by the said Patrick John Kennelly, Commissioner of Public Works—P. J. KENNELLY.

In the presence of Charles Claus Gale, Secretary for Public Works—C. C. GALE.

#### SUMMONING OFFICER.

I HEREBY appoint the under-mentioned person, under section 31 of the *Education Act 1928*, to summon parents within the State of Victoria:—

First Constable NORMAN SYDNEY SUMPTER, No. 9023.

FRANCIS FIELD,  
Minister of Public Instruction.

Education Department,  
Melbourne, 29th July, 1946.

#### SUMMONING OFFICER.

I HEREBY appoint the under-mentioned person, under section 31 of the *Education Act 1928*, to summon parents within the State of Victoria:—

First Constable HUBERT NORMAN FERRIS, No. 9038.

FRANCIS FIELD,  
Minister of Public Instruction.

Education Department,  
Melbourne, 29th July, 1946.

#### INDUSTRIAL AND PROVIDENT SOCIETIES ACT 1928.

NOTICE is hereby given that a society called the "South Kingsville Consumers' Co-operative Society Limited" is registered under the provisions of the above Act.

Given under my hand, this second day of August, 1946—

A. E. RASMUSSEN,  
Registrar of Friendly Societies.

#### Farmers' Debts Adjustment Act 1935.

#### CANCELLATION OF STAY ORDERS.

#### CORRIGENDUM.

IN the notification published in the *Gazette* of the 31st July, 1946, that Stay Orders issued to certain persons under the provisions of the *Farmers' Debts Adjustment Act 1935* have been cancelled, as from 31st July, 1946, the name of—

Thomas Leslie Trewin (decd.), of Wycheproof (Stay Order No. 2615), should have been included.

W. J. EVANS, Deputy Secretary,  
Farmers' Debts Adjustment Board.

6th August, 1946.

#### Farmers' Debts Adjustment Act 1935.

#### CANCELLATION OF STAY ORDERS.

NOTIFICATION is hereby given that the Stay Orders issued to the under-mentioned farmers have been cancelled by the Farmers' Debts Adjustment Board, such cancellation to take effect on Wednesday, 7th August, 1946:—

#### No. of Stay Order; Name; Address.

- 1314; Willoughby, Henry Linden; Nyahwest.  
1358; Macpherson, Wm. John Paul; Ultima East.  
1484; Smith, Frances Evelyn; Thorpdale.  
1220; Prater, Richard; Berriwillcock.  
1256; Prater, Edith Ellen; Berriwillcock.  
1219; Jilbert, William Henry; Ultima.  
1237; Lawlor, Phillip John; Beulah.  
1315; Willoughby, William Henry (decd.); Nyahwest.  
1313; Willoughby, George Duncan; Nyahwest.  
1263; Dillon, Agnes Theresa; Iona.  
1273; Rogers, Elizabeth; Iona.  
1291; Pinchbeck, Thomas Edgar; Bunbartha.  
1179; Ryan, William James; Charlton.  
1383; Stephens, Robert William; Longwarry.  
1366; Tyrrell, William George; Werribee.  
1524; Wood, A. J., and Son, Albert James and Geoffrey Vivian; Tongala.  
1216; Scanlon, Michael John (decd.); Tynong.  
1165; Davidson, John; Ouyen.  
2355; Richards, Charles Percival (decd.) and Rosa Mary; Dhurringile.  
3646; Clohesy, Mary Ellen; Rochester.  
1382; Roberts, Anne; Koroit.  
2988; Clarke, Richard Turner; Glengower.  
531; Dow, Katherine Janet; Calivil.  
1488; Younger, Walter Curry (decd.); Hansonville.  
1457; Price, William Andrew; Boho South, via Violet Town.  
1554; Couzner, Alfred Tom; Galaquil.  
1407; Baldock, Robert William; Tempy.  
3540; Bryson, Mary; Yarto East.  
1400; Bryson, Reuben; Yarto East.  
1178; Darbyshire, Ruby; Chinkapook.  
1255; Rae, William Alexander; Dadswell's Bridge.  
1546; Darbyshire, Geo. Eric Trewin; Chinkapook.  
1250; Baker, Raymond Frank; Rupanyup.  
1316; Blair, Robert Henry; Massey.  
1590; Howard, Thomas; Goornong.  
1447; De Lisle, Benjamin; McIvor-road, Bendigo.  
1873; Munro, Eric Rupert; Timberoo South.  
1225; Munro, Roslyn Herbert; Timberoo South.  
1439; McNicol, Claude; Manangatang.  
1492; Hird, William; Pyramid.  
1254; Kosch, Victor Leslie; Jung.  
1591; Lynas, Harold Joshua; Wooroonook.  
1443; Whelan, John Thomas; P.B., Donald.  
1278; Cahill, John Thomas; Diggora.  
1194; Clayton Bros., Frank Herbert and John Henry; Kyabram.  
1294; Crane, Wilfred Thomas (decd.); Nathalia.  
1300; Ellis, John Ayton; Kyabram.  
1356; Kirchner, Ernest Alfred Alexander; Pine Lodge.  
1507; McGurk, John; Yeungroon East.  
1520; McGurk, Elizabeth Marie; Yeungroon East.

W. J. EVANS, Deputy Secretary,  
Farmers' Debts Adjustment Board.

6th August, 1946.

## Water Acts.

## STATE RIVERS AND WATER SUPPLY COMMISSION.

## CHELSEA-FRANKSTON URBAN DISTRICT.

**NOTICE** to owners of the under-mentioned tenements in the Chelsea-Frankston Urban District.

*Carrum.*

Lots 22 to 25 inclusive, having a frontage to Valetta-street, and lots 26 to 31 inclusive, having a frontage to Station-street, all on lodged plan of subdivision No. 5516.  
Lots 4 and 12, having a frontage to Station-street and Colenso-street, respectively, on lodged plan of subdivision No. 7681.

The main pipe being laid down for the supply of water to the above-mentioned tenements, the owners thereof are hereby required, on or before the 7th day of September next, to cause proper pipes and stop cocks to be laid, so as to supply water within such tenements from the main pipe.

L. DUGGAN, Secretary,  
State Rivers and Water Supply Commission.  
Melbourne, 1st August, 1946.

## Water Acts.

## STATE RIVERS AND WATER SUPPLY COMMISSION.

## DANENONG-SPRINGVALE AND MORNINGTON URBAN DISTRICTS.

**NOTICE** to owners of tenements in the under-mentioned streets in the above-mentioned urban districts, and the private streets, lanes, courts, and alleys opening thereto.

*Dandenong-Springvale Urban District.*

Ann-street, from end of existing main opposite lot 83 to Cleland-street.  
Spring-road, from Clarke-road to a point about 25 chains south-westerly.

*Mornington Urban District.*

Strachan-road, from end of existing main to a point about  $\frac{1}{2}$  chain south-easterly from Alma-street.  
Kent-street, from end of existing main opposite lot 30 to a point opposite lot 28 on lodged plan of subdivision No. 2889.

Williams-road, from Esplanade to a point opposite lot 13, about 10 chains south-easterly.

The main pipe in the said streets being laid down, the owners of all tenements situated as above are hereby required, on or before the 7th day of September next, to cause proper pipes and stop cocks to be laid, so as to supply water within such tenements from the main pipe.

L. DUGGAN, Secretary,  
State Rivers and Water Supply Commission.  
Melbourne, 1st August, 1946.

**SUBJECT** to any necessary excisions, &c. it is proposed to grant the following lease:—

5477, Gippsland; Stuart Frank Waterhouse, Flora Millicent Wilson, and Margaret Eileen Wilson; 14a. 2r. 27p., Parish of Hotham.

## APPLICATION FOR MINING LEASE ABANDONED.

9003, Castlemaine; Gerald J. McKenna, Sydney A. Cottingham, Walter T. Cottingham, Thomas P. Mahoney, and T. K. O'Leary; 30 acres, at East Metcalfe.

## MINING LEASE EXPIRED.

5727, Mineral; Hercules Plaster Pty. Ltd.; 49a. 1r. 27p., Parish of Carool.

## TAILINGS LICENCE EXPIRED.

1674, Tailings Licence; Edward Holland.

## WATER RIGHT LICENCES GRANTED.

1183, Water Right Licence; Albert Edgar Hotchkiss.  
1191, Water Right Licence; A.1 Consolidated Gold No Liability.

## MINING LEASES GRANTED.

8143, Beechworth; William Charles Briggs.  
8164, Beechworth; Walter James Palmer.

W. G. MCKENZIE,  
Minister of Mines.

## CONTRACTS ACCEPTED.—(Series 1946-47.)

## VICTORIAN RAILWAYS.

14. Asphalting deck of Cremorne Bridge between Richmond and South Yarra, at 15s. 4d. per square yard (Contract 55759).—Neuchatel Asphalte Co. (Aust.) Pty. Ltd. 15. 2,200-volt Cable, for £2,430 (Contract 55511).—British General Electric Co. Pty. Ltd. 16. Portable Pneumatic Tools, at rates (Contract 55818).—Holman Bros. (Aust.) Pty. Ltd. 17. Laminated Synthetic Resin Bonded Fabric Insulation Pieces, at rates (Contract 55739).—Laminex Pty. Ltd. 18. Erection of Offices for Carrier's Agents, Cowper-street, Melbourne Goods Yard, for £6,527 8s. (Contract 55757).—Swanson Bros. Pty. Ltd. 19. Erection of new Departmental Residence, &c., at Elgar-road, Box Hill, for £1,523 10s. (Contract 55710).—R. and J. Mark. 20. Superheater Elements, at £162 6s. per set (Contract 55677).—The Superheater Co. (Aust.) Pty. Ltd. 21. Erection of new Departmental Residence at Devon-road, Pascoe Vale, for £1,485 (Contract 55709).—R. and J. Mark.

By order of the Victorian Railways Commissioners,

E. C. EYERS, Secretary. 2.3.46.

## ORDERS IN COUNCIL.—(Series 1946-47.)

## DEPARTMENT OF PUBLIC WORKS.

Provisions of mechanical equipment, as specified hereunder, to the Public Works Department Depot, Port Melbourne:—

685. One 10-ton trailer, with brakes, &c., £752.—Fowler Constructions Pty. Ltd.  
686. Boring machine, pumps, engine, &c., £959 10s.—Goldfields Diamond Drilling Co. Pty. Ltd.  
687. Portable emulsion pumps and steel barrows, £460 10s.—British Standard Machinery Co. Ltd.  
688. Three petrol-driven diaphragm pumps, £279.—McPherson's Ltd.  
689. One thickening machine, £196.—Wolfenden Bros. Pty. Ltd.

Approved by the Governor in Council, 30th July, 1946.—C. W. KINSMAN, Clerk of the Executive Council.

## STATE ELECTRICITY COMMISSION.

690. For the supply of three turbo-generators, one house turbo-generator, spare parts, and superintendence of erection at Kiewa Hydro-Electric Scheme, to Specification No. 45-46/3.—Boving and Co. Ltd.

691. For the supply of rubber-covered canvas conveyor belt for Yallourn Generating Station, to Quotation No. 5357.—Dunlop Rubber Australia Ltd.

692. For the supply of two only 6.6 kV switchgear equipments for main sub-stations, to Quotation No. 4987.—A. Reyrolle and Co. Ltd.

693. For the supply of six motor starting equipments, Yallourn, to Quotation No. 3643.—W. H. Lowe and Co. Pty. Ltd.

694. For the reconditioning of motor tire covers, for a period of six months, to Quotation No. 4325.—Beaurepaire Tyre Service Pty. Ltd.

695. For the supply of eight 800 amp. and thirty-three 300 amp. 22 kV metal-clad switchgear and accessories for Newport Generating Station, to Specification No. 45-46/117.—Australian General Electric Pty. Ltd.

696. For the supply of one erection crane, one air compressor, one ripper, one D.8 engine, six tractors with power control units, one bulldozer, and one angle-dozer.—Department of Works and Housing.

697. For the supply of 50,000 gallons of transformer oil, to Specification No. 45-46/141.—The Shell Co. of Aust. Ltd.

698. For the erection of a new timber-framed bedroom wing, and alterations to existing building at Yallourn Guest House, to Specification No. 46-47/9.—Marr and Beards.

699. For the supply of ten only tires for heavy-duty vehicles, Yallourn, to Quotation No. 165.—Dunlop Rubber Australia Ltd.

700. For the supply of 60 only tires, sixteen flaps and tubes for heavy-duty vehicles, Yallourn, to Quotation No. 165.—The Goodyear Tyre and Rubber Co. (Aust.) Ltd.

701. For the construction and erection of steel storage bins at Distribution Stores, Richmond, to Specification No. 45-46/111.—E. T. Brown Ltd.

702. For the supply of eighteen only front-end telescopic hydraulic hoists of 15-ton capacity, with power take-off units, for Yallourn and Kiewa, to Quotation No. 261.—Peters Bros., Wade, and Allison Pty. Ltd.

703. For the supply of three only Fordson tractors, fitted with tires, tubes, and centres, and equipped with front-end loader attachment, for Briquette Stores, to Quotation No. 5242.—Malcolm Moore Ltd.

Approved by the Governor in Council, 30th July, 1946.—C. W. KINSMAN, Clerk of the Executive Council.

## Marriage Act 1928.

## MINISTERS OF RELIGION REGISTERED TO CELEBRATE MARRIAGES IN VICTORIA.

It is hereby notified that, in pursuance of the provisions of the *Marriage Act 1928*, 19 Geo. V. No. 3726, Sec. 11, the under-mentioned Officiating Ministers of Religion have been registered at this Office for the celebration of marriages in Victoria:—

| Number in Register. | Name.                           | Designation. | Denomination.        | Residence.                          | Date of Registration. |
|---------------------|---------------------------------|--------------|----------------------|-------------------------------------|-----------------------|
| 9613                | Tanner, James Scott ..          | Minister ..  | Presbyterian ..      | 96 Park-street, Brunswick ..        | 28.6.46               |
| 9614                | Pay, William James Thomas ..    | Priest ..    | Church of England .. | 6 Mavis-street, North Brighton ..   | 1.1.46                |
| 9615                | Ruane, Denis Joseph ..          | Priest ..    | Catholic ..          | Pinnaroo, South Australia ..        | 29.6.46               |
| 9616                | Jewell, William Ernest ..       | Major ..     | Salvation Army ..    | 31 St. John's-avenue, Camberwell .. | 28.6.46               |
| 9617                | Todd, George Joseph ..          | Priest ..    | Catholic ..          | St. Mary's, Sale ..                 | 9.7.46                |
| 9618                | Butler, Duncan Harold ..        | Minister ..  | Church of Christ ..  | 69 Edward-street, Shepparton ..     | 2.7.46                |
| 9619                | Williamson, Sydney Wentworth .. | Priest ..    | Church of England .. | 59 McCrae-street, Dandenong ..      | 10.7.46               |
| 9620                | Noble, Raymond John ..          | Minister ..  | Methodist ..         | 73 Walpole-street, Kew ..           | 1.7.46                |
| 9621                | Clifford, Patrick ..            | Priest ..    | Catholic ..          | Leeton, New South Wales ..          | 11.7.40               |
| 9622                | Harewood, Bramwell Milner ..    | Captain ..   | Salvation Army ..    | 65 Grosvenor-street, South Yarra .. | 16.7.46               |
| 9623                | Devlin, Patrick ..              | Priest ..    | Catholic ..          | The Presbytery, Woodend ..          | 23.7.46               |
| 9624                | Hunter, Francis Edward ..       | Priest ..    | Catholic ..          | The Presbytery, Trentham ..         | 23.7.46               |
| 9625                | Britten, Mervyn Wellesley ..    | Priest ..    | Church of England .. | Geelong Grammar School, Corio ..    | 1.1.46                |
| 9626                | Marshall, Alfred Hy ..          | Pastor ..    | Baptist ..           | Baptist Manse, Treco ..             | 17.7.46               |
| 9627                | Absalom, Arthur Irvine ..       | Minister ..  | Presbyterian ..      | The Manse, Macarthur ..             | 22.7.46               |

Office of the Government Statist,  
Melbourne, 1st August, 1946.

O. GAWLER,  
Government Statist.

## NOTICE.

ADMINISTRATION of the estate of each of the under-mentioned deceased persons has been granted to me, and creditors, next of kin, and all others having claims against the estate of any of the persons so mentioned are required to send particulars of their claims to the Public Trustee, No. 412 Collins-street, Melbourne, on or before the 9th October, 1946, or they will be excluded from the distribution of the estate when the assets are being distributed:—

ANSELL, JOSEPH EDWARD, late of Ballarat, pensioner, died 25th April, 1946, intestate.

BERRY, RONALD ERNEST, late of 52 Hall-street, Newport, labourer, died 21st December, 1945, intestate.

BEUTHIN, MABEL ELIZABETH, late of Point Nepean-road, Carrum, married woman, died 17th October, 1942, intestate.

DESMOND, MARY, formerly of Mansfield, but late of Beechworth, spinster, died 14th March, 1946, intestate.

DOMNEY, MARY ANN, late of 203 Ascot-street, Ballarat South, pensioner, died 15th May, 1946, intestate.

ELLIOTT, SADIE SHERRON, also known as Sadie Manson, formerly of 27 Loch-street, St. Kilda, Victoria, but late of Oceanic Hotel, Coogee, New South Wales, book-keeper, died 20th April, 1930, intestate.

\*FOWLER, VICTOR, formerly of Preston, but late of Australian Military Forces, soldier, presumed to have died 10th August, 1942.

GEORGE, AGNES, late of 33 Tait-street, North Fitzroy, married woman, died 17th May, 1946, intestate.

GILBERT, EDWARD WILSON, late of 9 Osborne-street, Gardenvale, retired railway employee, died 22nd February, 1946, intestate.

GREIG, MARION, formerly of 43 Brighton-road, St. Kilda, but late of 128 Albert-street, Windsor, spinster, died 4th September, 1944, intestate.

HALL, AUGUSTINE LOUIS, formerly of Barwon Downs, but late of Cowwarr, farmer, died 15th October, 1945, intestate.

HEINEMAN, ALEXANDER VOLLRAD, late of 225 Drummond-street, Carlton, draughtsman, died between 11th and 13th May, 1946, intestate.

HESS, RUDOLPH REINHARD, formerly of Eltham, but late of Hurstbridge, gentleman, died 26th December, 1945, intestate.

HICKS, ANNE STUART, late of 389 Napier-street, Fitzroy, widow, died 5th May, 1946, intestate.

KERINS, JOHN, late of Sunbury, timber worker, died 4th May, 1946, intestate.

\*MOODY, KEITH THOMAS, formerly of 28 Lyonsville-avenue, East Preston, but late of A.I.F., soldier, became missing on 20th February, 1942, now presumed dead.

PARKER, LILAH, late of 14 El Nido-grove, Glenhuttly, married woman, died 26th June, 1946, intestate.

\*STEWART, ELLEN EDA, formerly of Warrnambool and Nepunga, but late of Sunbury, spinster, died 4th March, 1946.

†WEBB, GEORGE, formerly of 73 Bendigo-street, Richmond, but late of the Australian Imperial Forces, soldier, presumed to have died 4th February, 1942.

WILDING, RODERICK BALDWIN, late of "The Chestnuts," Monbulk, pensioner, died 6th June, 1946, intestate.

\* With the will annexed.

† According to the provisions of the will.

J. E. DON,  
Public Trustee.

Melbourne, 31st July, 1946,

## 4 GEORGE VI. No. 4755, SECTION 6.

I HEREBY give notice that, on the 22nd July, 1946, I filed an election to administer the following deceased person's estate, in accordance with section 6 of the *Public Trustee Act 1940*:—

BEUTHIN, MABEL ELIZABETH, late of Point Nepean-road, Carrum, married woman, died 17th October, 1942, intestate.

J. E. DON,  
Public Trustee.

412 Collins-street, Melbourne, C.1, 31st July, 1946.

## 4 GEORGE VI. No. 4755, SECTION 6.

I HEREBY give notice that, on the 24th July, 1946, I filed elections to administer the following deceased persons' estates, in accordance with section 6 of the *Public Trustee Act 1940*:—

ANSELL, JOSEPH EDWARD, late of Ballarat, pensioner, died 25th April, 1946, intestate.

BERRY, RONALD ERNEST, late of 52 Hall-street, Newport, labourer, died 21st December, 1945, intestate.

DESMOND, MARY, formerly of Mansfield, but late of Beechworth, spinster, died 14th March, 1946, intestate.

DOMNEY, MARY ANN, late of 203 Ascot-street, Ballarat South, pensioner, died 15th May, 1946, intestate.

ELLIOTT, SADIE SHERRON, also known as Sadie Manson, formerly of 27 Loch-street, St. Kilda, Victoria, but late of Oceanic Hotel, Coogee, New South Wales, book-keeper, died 20th April, 1930, intestate.

GEORGE, AGNES, late of 33 Tait-street, North Fitzroy, married woman, died 17th May, 1946, intestate.

GILBERT, EDWARD WILSON, late of 9 Osborne-street, Gardenvale, retired railway employee, died 22nd February, 1946, intestate.

GREIG, MARION, formerly of 43 Brighton-road, St. Kilda, but late of 128 Albert-street, Windsor, spinster, died 4th September, 1944, intestate.

HALL, AUGUSTINE LOUIS, formerly of Barwon Downs, but late of Cowwarr, farmer, died 15th October, 1945, intestate.

HEINEMAN, ALEXANDER VOLLRAD, late of 225 Drummond-street, Carlton, draughtsman, died between 11th and 13th May, 1946, intestate.

HESS, RUDOLPH REINHARD, formerly of Eltham, but late of Hurstbridge, gentleman, died 26th December, 1945, intestate.

HICKS, ANNE STUART, late of 389 Napier-street, Fitzroy, widow, died 5th May, 1946, intestate.

PARKER, LILAH, late of 14 El Nido-grove, Glenhuttly, married woman, died 26th June, 1946, intestate.

†WEBB, GEORGE, formerly of 73 Bendigo-street, Richmond, but late of the Australian Imperial Forces, soldier, presumed to have died 4th February, 1942.

WILDING, RODERICK BALDWIN, late of "The Chestnuts," Monbulk, pensioner, died 6th June, 1946, intestate.

† According to the provisions of the will.

J. E. DON,  
Public Trustee.

412 Collins-street, Melbourne, C.1, 31st July, 1946,

## LOCAL GOVERNMENT ACT 1928.

At the Executive Council Chamber, Melbourne, the thirtieth day of July, 1946.

## PRESENT:

His Excellency the Lieutenant-Governor of Victoria.

Mr. Galvin | Mr. Coleman.  
Mr. Hayes

## PROVISIONS RELATING TO COMPULSORY VOTING.

**H**IS Excellency the Lieutenant-Governor of the State of Victoria, by and with the advice of the Executive Council thereof, and pursuant to the petition of the Council of the Borough of Wonthaggi, doth by this Order, under the provisions of section 148 of the *Local Government Act 1928*, direct that the provisions of Division 20 of Part V. of *The Constitution Act Amendment Act 1928* applicable and severally hereinafter set out with alterations therein, such alterations being deemed necessary for the purpose of carrying into effect such provisions, shall apply to the election of councillors for the said municipality, and doth hereby, in pursuance of the powers so conferred on him by the said section 148, prescribe the forms in the schedule hereto, which forms or forms to the like effect shall be used for the purpose of carrying into effect such provisions as so applied by this Order.

1. Every person whose name is inscribed upon the voters' roll shall record the number of votes set opposite his name on such roll at every election for a councillor for which he is entitled to vote.

2. The returning officer, at the close of the poll at every election, shall—

- (a) from every roll used at the election, and from the counterfoils of all postal ballot-papers received before the close of the poll at the election, indicate by a distinguishing mark on a fair copy of the roll used at the election (which copy is hereinafter referred to as the "marked roll") the names of the persons who have not recorded their votes at the election for which he is the returning officer;
- (b) certify the marked roll by statutory declaration under his hand in accordance with Form A. of the schedule hereto; and
- (c) forthwith forward such marked roll to the clerk of the municipality.

3. Within three months after the close of the poll at every election the clerk of the municipality—

- (a) shall send by post to each person whose name indicated as aforesaid appears on any such marked roll, at the address therein mentioned, a notice in accordance with Form B. of the schedule hereto, notifying him that he has failed to record his vote or votes (as the case may be) as required by these provisions at the election specified therein, and requiring him to state the true reason why he failed so to vote; and
- (b) before sending such notice, shall insert therein—
  - (i) the full name of the person as appearing on the roll, and his address as therein mentioned, and the names of the subdivisions (if any) in which he was entitled to vote but did not vote, and his number on the roll, or (as the case may be) his number on the roll of each such subdivision; and
  - (ii) a date (not being less than twenty-one days after the date of the posting of the notice) before or on which the form at the foot of the notice, duly filled up and signed by the person, is to be in the hands of the clerk of the municipality.

4. (1) Every person to whom such a notice has been sent shall—

- (a) fill up the Form C. at the foot of the notice by stating in it the true reason why he failed so to record his vote or votes (as the case may be);
- (b) sign the form; and
- (c) post or deliver the same so as to reach the clerk of the municipality not later than the date inserted in the notice.

(2) If the person is unable, by reason of absence from his residence or physical incapacity, to fill up, sign, and post or deliver the form within the time allowed pursuant to these provisions—

- (a) any other person over the age of twenty-one years, and who has personal knowledge of the facts, may fill up, sign, and post or deliver within that time the form, duly witnessed by another person over the age of twenty-one years; and
- (b) such filling up, signing, and delivery or posting of the form may be treated as compliance by the first-mentioned person with the provisions of this clause.

(3) Upon receipt within the time allowed, pursuant to these provisions, of any such form properly filled up and signed and witnessed (if so required) the clerk of the municipality shall—

- (a) make on the marked roll or rolls opposite the name of the person to whom the form refers a note to that effect; and
- (b) indicate in writing on the marked roll or rolls opposite the name of the person his opinion whether or not the reason contained in the form is a valid and sufficient reason for the failure of the person to record his vote or votes at the election.

(4) If in the case of any person to whom a notice as aforesaid has been sent such form is not received by the clerk of the municipality within the time allowed pursuant to these provisions, the clerk of the municipality shall make on the marked roll or rolls opposite the name of such person a note to that effect.

(5) Where the reply of any person states for his failure to record his vote or votes a reason which, in the opinion of the clerk of the municipality, is not a valid and sufficient reason for that failure, the clerk of the municipality shall notify such person in accordance with Form D. of the schedule hereto of his opinion, and inform him that he has the option of having the matter dealt with by the municipal council or by a Court of Petty Sessions. Before sending such notice, the clerk of the municipality shall insert therein a date (not being less than twenty-one days after the date of the posting of the notice) before or on which the form at the foot of the notice duly filled up and signed by the person and witnessed is to be in the hands of the clerk of the municipality.

5. The marked roll or rolls indicating—

- (a) the names of persons who did not vote at the election;
- (b) the names of persons from whom or on whose behalf the clerk of the municipality received within the time allowed pursuant to these provisions forms properly filled up and signed;
- (c) the names of persons from whom or on whose behalf the clerk of the municipality did not within that time receive forms properly filled up and signed; and
- (d) the opinions of the clerk of the municipality,

or a copy of any such marked roll, or any extract therefrom certified by the clerk of the municipality under his hand, shall in all proceedings be prima facie evidence of the contents of such marked roll or extract, and of the fact that the persons whose names appear therein marked as aforesaid did not vote at the election and that the notice specified in these provisions was received by those persons, and that those persons did nor did not (as the case may be) comply with the requisitions contained in the notice within the time allowed pursuant to these provisions.

6. Every person whose name is inscribed upon the voters' roll who—

- (a) fails to record his vote or votes (as the case may be) at any election for a councillor for which he is entitled to vote without a valid and sufficient excuse for such failure (in this clause the expression "valid and sufficient excuse" includes an honest belief on the part of the person that abstention from voting is part of his religious duty); or
- (b) on receipt of the notice in accordance with Form B. aforesaid, fails, neglects, or refuses to fill up and sign, and post or deliver to the clerk of the municipality so as to reach him within the time allowed pursuant to these provisions the form at the foot of the notice; or
- (c) states in such form a false reason for not having recorded his vote or votes, or in the case of a person filling up or purporting to fill up a form on behalf of any other person pursuant to these provisions states in such forms a false reason why the other person did not vote—

shall for each such offence be liable to a penalty of not more than Two pounds, and proceedings for the enforcement of the penalty may be commenced within six months after the

date of the election by the council of the municipality or by some person authorized pursuant to the Local Government Acts.

Provided that—

- (a) any person to whom a notice under these provisions has been posted who desires the matter to be dealt with by the council of the municipality, and is prepared to abide by the decision of the council, may notify the clerk of the municipality in accordance with Form E. of the Schedule hereto;
- (b) in any such case the council may make an order in accordance with Form F., requiring the person to pay a sum not being more than Ten shillings; and
- (c) if the said sum is not paid within fourteen days after the date of the order, the clerk of the municipality may forward to the clerk of a Court of Petty Sessions a certificate under his hand in accordance with Form G., of the Schedule hereto, setting out the substance of the order, and stating that the said sum has not been paid; and thereupon payment of the said sum shall be enforceable in the same manner as if the said sum—
- (i) were a fine adjusted by such Court of Petty Sessions to be paid which the Act of Parliament under which such fine is imposed provides no means of enforcing; and
- (ii) were ascertained by a conviction.
7. For the purposes of these provisions the returning officer at any election—
- (a) with the assistance of such of the deputy returning officers and poll clerks as he deems necessary shall in the presence of such deputy returning officers and poll clerks, but of no other person, open and, if necessary, break the seal of any parcel containing the rolls used at the election and examine the same for the purpose of indicating on the marked roll aforesaid the names of the persons who have not voted at the election; and
- (b) at the conclusion of the said examination and marking shall replace such rolls in the parcels from which they were taken and re-seal the same and then comply with the provisions of section One hundred and forty-five of the *Local Government Act 1928*.

#### SCHEDULE.

##### FORM A. Compulsory Voting.

\* Shire of \_\_\_\_\_ of \_\_\_\_\_ in the State of Victoria, do solemnly and sincerely declare—

1. That I am the Returning Officer for the \*Riding of the \*Shire of \_\_\_\_\_ at the election for councillors held on the \_\_\_\_\_ day of \_\_\_\_\_ 19 \_\_\_\_\_.

†2. That now produced and shown to me and marked "A" is the fair copy—

†2. That the within fair copy—  
of the roll for the above-mentioned Riding, with distinguishing marks indicating the names of persons who have not recorded their votes at the election held on \_\_\_\_\_ the \_\_\_\_\_ was prepared by me pursuant to clause 2 of provisions relating to compulsory voting applied to the election of councillors for the municipality.

And I make this solemn declaration conscientiously believing the same to be true, and by virtue of the provisions of an Act of Parliament of Victoria rendering persons making a false declaration punishable for wilful and corrupt perjury.

Returning Officer for the \*Riding of the \*Shire of \_\_\_\_\_

Declared before me, at \_\_\_\_\_ in the State aforesaid, the \_\_\_\_\_ day of \_\_\_\_\_ 19 \_\_\_\_\_

Justice of the Peace.

\* In the case of a city, town, or borough, or unsubdivided municipality, make the necessary adaptations in the Form.

† If the declaration is endorsed on the fair copy of the roll, use the words "That the within fair copy, &c." If the declaration is not so endorsed, use the words "That now produced, &c."

‡ Clause 7 of the provisions relating to compulsory voting applied to the election of councillors for the municipality provides that the Returning Officer may employ the assistance of Deputy Returning Officers and Poll Clerks to examine rolls for the purpose of indicating on the marked roll the names of the persons who have not voted at the election.

##### FORM B.

##### Compulsory Voting.

\*Shire of \_\_\_\_\_  
Subdivisions in which person did not vote  
Nos. on rolls

†To \_\_\_\_\_  
You are notified that an inspection of the rolls used at the election held on \_\_\_\_\_ the \_\_\_\_\_ day of \_\_\_\_\_ 19 \_\_\_\_\_, shows that you failed as shown above to vote at that election, and you are hereby required to give the true reason why you failed so to vote.

You are therefore requested to—

- (a) fill in the particulars at the foot of this notice—
- (i) by stating the true reason why you failed so to vote, or
- (ii) by inserting a true statement concerning your alleged failure to vote;
- (b) complete and personally sign the form and have it witnessed by some other person over the age of twenty-one years; and
- (c) fold the form so that the address of the municipal office shall be visible, and post or deliver it so as to reach me on or before the \_\_\_\_\_

Municipal Clerk,

Address,

Date

19 \_\_\_\_\_

NOTE.—If the person to whom this notice is addressed is unable by reason of absence from his residence or physical incapacity to fill up, sign, and post or deliver the form at the foot hereof within the time specified above, any other person over the age of twenty-one years and who has personal knowledge of the facts may fill up, sign, and post the form, duly witnessed, within that time, and the filling up, signing, and posting of the form will be treated as compliance by the first-mentioned person with the requirements of this notice.

Every person whose name is inscribed upon the voters' roll who—

- (a) fails to record his vote or votes at any election for a councillor for which he is entitled to vote without a valid and sufficient excuse for such failure; or
- (b) on receipt of a notice in accordance with the Provisions Relating to Compulsory Voting, fails, neglects, or refuses to fill up, sign, and post or deliver to the clerk of the municipality so as to reach him within the time specified in the notice the form (duly witnessed) attached thereto; or
- (c) states in such form a false reason for not having recorded his vote or votes, or in the case of a person filling up or purporting to fill up a form on behalf of any other person, states in such form a false reason why the other person did not vote—

is guilty of an offence and liable to a penalty not exceeding Two Pounds.

\* In the case of a city, town, or borough, make the necessary adaptations in the form.

† Here insert the full name of the person as appearing on the roll and his address as therein mentioned.

‡ Not being less than twenty-one days after the posting of this notice.

##### FORM C.

Statement to be Completed and Returned to the Municipal Clerk.

I, \_\_\_\_\_ do hereby state:—

That the following is the true reason why I,\*  
failed to vote as required by the Provisions Relating to Compulsory Voting at the election on \_\_\_\_\_ the \_\_\_\_\_ day of \_\_\_\_\_ 19 \_\_\_\_\_:—

Or—

That in regard to my alleged failure to vote on \_\_\_\_\_ the \_\_\_\_\_ day of \_\_\_\_\_ 19 \_\_\_\_\_, the following is a true statement:—

†

Personal Signature.

I, the undersigned, being a person over the age of twenty-one years, certify that I have seen the above-named person sign the above statement.

Signature of Witness  
(In own handwriting.)  
Occupation  
Address  
Date

(Not to be detached.)

\* Where this form is filled up on behalf of an absent or physically incapacitated person, the word "I" must be struck out and the name of such person inserted.

† Here set out briefly the true reason for having failed to vote, or a true statement concerning the alleged failure to vote.

(Back of Forms B and C.)  
The Municipal Clerk,

FORM D.

*Compulsory Voting.*

\*Shire of  
Subdivisions in which person did not vote  
Nos. on rolls

Notification to Person whose Reason for Failing to Vote is held not to be a Valid and Sufficient Excuse.

† To

You are hereby notified—

- (1) that the reason given by you in your statement dated the 19 , is not, in my opinion, a valid and sufficient excuse for your failure to record your votes at the election held on the 19 day of 19 ; and
- (2) that you have the option of having the matter dealt with by the municipal council (thus avoiding costs of court) or by a Court of Petty Sessions.

If you desire to have the matter dealt with by the municipal council, you must fill in and sign, in the presence of a witness, the form of consent at the foot hereof and send or deliver it to me so as to reach me not later than the 19 day of 19 .

In the event of the form not reaching me on or before the date set out in the preceding paragraph, it will be taken that you desire to have the matter dealt with by a Court of Petty Sessions.

Municipal Clerk.  
Address  
Date 19

\* In the case of a city, town, or borough, make the necessary adaptations in the form.

† Here insert full name of the person as appearing on the roll and his address.

‡ Not being less than twenty-one days after the posting of this notice.

FORM E.

Form of Consent to be used by a Person who Desires to have his Case dealt with by the Municipal Council.

I, of enrolled on the voters' roll for the above-named subdivisions, having failed to record my vote(s) at the election held on the 19 day of 19 , and having been notified by you that the reason given by me for such failure to record my vote(s) is not, in your opinion, a valid and sufficient excuse for such failure, do hereby notify you that I consent to have the matter dealt with by the municipal council and to abide by its decision.

Personal Signature.

I, the undersigned, being a person over the age of twenty-one years, certify that I have seen the above-named person sign the above form.

Signature of Witness.  
(In own handwriting.)  
Occupation  
Address  
Date 19

(Not to be detached.)

(Back of Forms D. and E.)  
The Municipal Clerk,

FORM F.

*Compulsory Voting.*

\*Shire of  
Subdivisions in which persons did not vote  
Nos. on roll

Order Requiring a Person to Pay a Sum for Failure to Vote.

To  
You are notified that, pursuant to your notification of consent, dated the day of the municipal council has dealt with the matter of your failure to record your votes† for the above-mentioned subdivisions of the municipality.

The municipal council makes this order requiring you to pay to the municipal clerk at the address hereunder the sum of shillings.†

Councillor.  
Councillor.  
Municipal Clerk.

(SEAL)

Address of Municipal Clerk,

Date

\* In the case of a city, town, or borough, make the necessary adaptations in the Form.

† If the said sum is not paid within fourteen days after the date of this order, the matter will be referred to a Clerk of a Court of Petty Sessions for the enforcement of this order.

‡ If only one vote, make the necessary alteration.

FORM G.

*Compulsory Voting.*

Shire of\*

Memorandum—

To the Clerk of Petty Sessions at

In accordance with the provisions of section 336 of The Constitution Act Amendment Act, made applicable under the powers contained in section 148 of the Local Government Act 1928, with such alterations therein as were deemed necessary, to elections of councillors for the municipality of by an order of the Governor in Council made the day of 19 , I hereby certify that the schedule hereto contains a list of the names and enrolment particulars of persons against whom the council of the municipality has made an order, pursuant to the said provisions, for the payment of the sums respectively specified.

As the said sums have not been paid within fourteen days after the date of the order in each case, I have to request that steps be taken to enforce payment.

I shall be pleased if you will state on the schedule whether or not the payment has been enforced and return it to me.

Given under my hand this day of 19 .  
Municipal Clerk.

Schedule.

Shire of\*

Year of print of roll—

| Number on Roll. | Riding.* | Surname. | Christian or other Name or Names. | Residence. | Sum which Elector has been ordered to Pay. | Date of Order. |
|-----------------|----------|----------|-----------------------------------|------------|--|----------------|
|                 |          |          |                                   |            |  |                |

\* In the case of a city, town, or borough, make the necessary adaptations in the Form.

Municipal Clerk.  
Date,

And the Honorable Patrick John Kennelly, His Majesty's Commissioner of Public Works for the State of Victoria, shall give the necessary directions herein accordingly.

C. W. KINSMAN,  
Clerk of the Executive Council.



COUNTRY ROADS BOARD.

At the Executive Council Chamber, Melbourne, the thirtieth day of July, 1946.

PRESENT:

His Excellency the Lieutenant-Governor of Victoria.  
 Mr. Galvin | Mr. Coleman.  
 Mr. Hayes |

DECLARATION OF THE PRINCES HIGHWAY IN THE CITY OF OAKLEIGH, AND THE HUME HIGHWAY IN THE CITY OF COBURG AND SHIRE OF BROAD-MEADOWS.

WHEREAS by the Resolution set out below and dated the fifteenth day of July One thousand nine hundred and forty-six the Country Roads Board incorporated under the Country Roads Act 1928 (No. 3662) being of opinion that the highways in the State of Victoria set out or described in the Schedule to the same are of sufficient importance to be State highways and acting under the powers in that behalf conferred upon it by the said Act declared such highways to be State highways within the meaning and for the purposes of the Act aforesaid: And whereas the said Act amongst other things provides that the Governor in Council may by Order published in the Government Gazette confirm such Resolution whereupon any road mentioned in such Resolution shall be a State highway: And whereas it is deemed desirable to confirm the Resolution so made and passed by the said Country Roads Board: Now therefore His Excellency the Lieutenant-Governor of the State of Victoria by and with the advice of the Executive Council thereof doth hereby confirm such Resolution and declare upon the publication of this Order in the Government Gazette the roads mentioned in the Schedule to such Resolution of the Country Roads Board State highways within the meaning and for the purposes of the Country Roads Act 1928.

Resolution for Declaration of State Highways under the Country Roads Act.

The Country Roads Board incorporated by the Country Roads Act 1928 (No. 3662) at a meeting now holden being of opinion that the highways within the State of Victoria set out or described in the Schedule hereunder written are of sufficient importance to be State highways acting under the powers in that behalf conferred upon it by the said Act doth by this Resolution hereby declare such highways to be State highways within the meaning and for the purposes of the said Country Roads Act 1928.

SCHEDULE.

City of Oakleigh.

1. Princes Highway.—Commencing at its junction with Warrigal-road at the south-western angle of allotment 10, section 5, City of Oakleigh, Parish of Mulgrave; thence easterly to the south-eastern angle of allotment 6, section 6, of the said city; thence south-easterly to the south-western angle of Crown portion 10, Parish of Mulgrave, on the eastern boundary of the city.

City of Coburg and Shire of Broadmeadows.

5. Hume Highway.—Commencing at its junction with Baker's-road at the north-eastern angle of lot 14 on plan of subdivision numbered 5702, lodged in the Office of Titles, and being part of Crown portion 149, Parish of Jika Jika; thence north-westerly through the said Crown portion and Crown portions 3 and 4, Parish of Will Will Rook, to a point on the northern boundary of the Crown portion last named, distant 628 links from the north-western angle thereof.

The common seal of the Country Roads Board was hereto affixed, at Melbourne, this fifteenth day of July, One thousand nine hundred and forty-six, in the presence of—

(SEAL) W. L. DALE, Chairman.  
 F. M. CORRIGAN, Member.  
 R. JANSEN, Secretary.

ORDER APPROVING OF A NEW MAIN ROAD IN THE SHIRE OF DONCASTER AND TEMPLESTOWE.

WHEREAS the Country Roads Board constituted under the Country Roads Act 1928 (No. 3662) has represented to His Excellency the Governor in Council that it appears to it desirable that the new Heidelberg-Warrandyte road in the Shire of Doncaster and Templestowe should be made by the said Board: And whereas the said Board in accordance with the requirements of section 19 of the said cited Act has caused to be prepared a map plan and estimate showing the points between which and on and through what land the said new road is proposed to be made and the cost of acquiring the land and constructing the said new road: And whereas on an inspection of the said map and plan and a consideration of the said

estimate His Excellency the Governor in Council is satisfied that there are funds legally available for acquiring the land and constructing the said new road: Now therefore be it known by this present Order that His Excellency the Lieutenant-Governor of the State of Victoria with the advice of the Executive Council thereof doth hereby approve of the said road being made, that is to say:—

All those pieces of land in the Parish of Warrandyte, the boundaries of which are as follow:—

- (a) Commencing at the north-western angle of allotment 12A, at Warrandyte, in the said parish; thence by lines bearing respectively 102 deg. 32 min. 300 links, 249 deg. 43½ min. 504.3 links, and 36 deg. 55 min. 300 links to the point of commencement.
- (b) Commencing at a point in allotment 9A of the said parish; distant 257 deg. 28 min. 110 links, and 216 deg. 55 min. 439.3 links from the north-eastern angle of the said allotment; thence by lines bearing respectively 216 deg. 55 min. 102.7 links, 244 deg. 28 min. 103.3 links, and 50 deg. 45 min. 200 links to the point of commencement.
- (c) Commencing at an angle in the boundary of the existing Country Roads Board road through allotment 9A of the said parish formed by the intersection of lines bearing 220 deg. 4 min. and 211 deg. 55 min.; thence by lines bearing respectively 211 deg. 55 min. 398.5 links, 250 deg. 14 min. 17.4 links, 281 deg. 16 min. 14 links, 324 deg. 35 min. 23.5 links, 357 deg. 32 min. 339 links, and 93 deg. 29½ min. 269.5 links to the point of commencement—

which said pieces of land are particularly delineated and shown coloured red and blue on survey plans numbered 4736, 4737, and 4741, lodged in the office of the Country Roads Board.

And the Honorable Patrick John Kennelly, His Majesty's Commissioner of Public Works for the State of Victoria, shall give the necessary directions herein accordingly.

C. W. KINSMAN,  
 Clerk of the Executive Council.

DEPARTMENT OF LANDS AND SURVEY.

At the Executive Council Chamber, Melbourne, the thirtieth day of July, 1946.

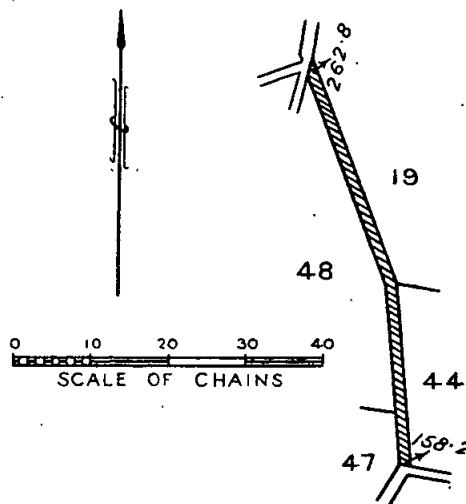
PRESENT:

His Excellency the Lieutenant-Governor of Victoria.  
 Mr. Galvin | Mr. Coleman.  
 Mr. Hayes |

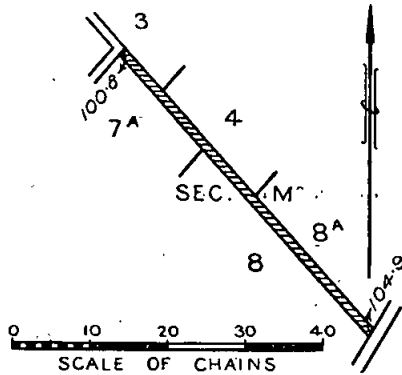
UNUSED AND UNMADE ROADS CLOSED.

HIS Excellency the Lieutenant-Governor of the State of Victoria, by and with the advice of the Executive Council thereof, doth hereby direct that, in pursuance of the provisions of section 304 of the Land Act 1928 (No. 3709), the unused and unmade roads referred to hereunder be closed, viz.:—

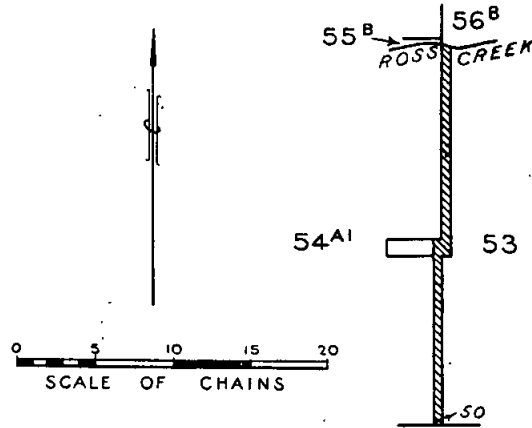
Parish of Drouin West, County of Buln Buln, being the road indicated by hachure on plan hereunder.—(D.173(9) (Misc. 2175).



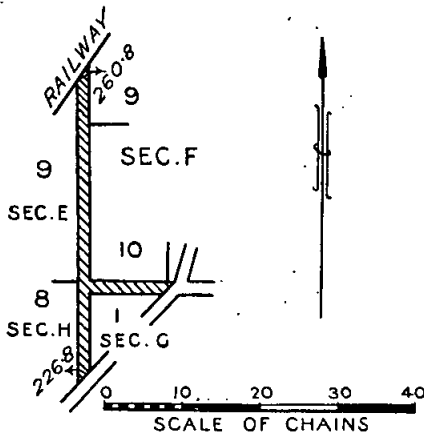
Parish of Woorragie North, County of Bogong, being the road indicated by hachure on plan hereunder.—(W.210(4) (H.017823).



Parish of Yarrowee, County of Grenville, being the road indicated by hachure on plan hereunder.—Y.2(4) (J.26983).



Parish of Creswick, County of Talbot, being the roads indicated by hachure on plan hereunder.—C.400(A<sup>2</sup>) (J.26189).



Parish of Kooreh, County of Gladstone, being the road lying between allotments 74 and 75, and allotments 70 and 73 of section B.—(K.125(4) (C.89973).

Parish of Kooreh, County of Gladstone, being the road lying between allotment 21, Parish of Berrimal, and allotments 70, 70A, 74, and 77A of section B, Parish of Kooreh.—K.125(4), B.670(A<sup>4</sup>) (C.79369).

And the Honorable Leslie William Galvin, His Majesty's Commissioner of Crown Lands and Survey for the State of Victoria, shall give the necessary directions herein accordingly.

C. W. KINSMAN,  
Clerk of the Executive Council.

FACTORIES AND SHOPS ACTS.

At the Executive Council Chamber, Melbourne, the sixth day of August, 1946.

PRESENT:

His Excellency the Lieutenant-Governor of Victoria.  
Mr. McKenzie | Mr. Fraser.

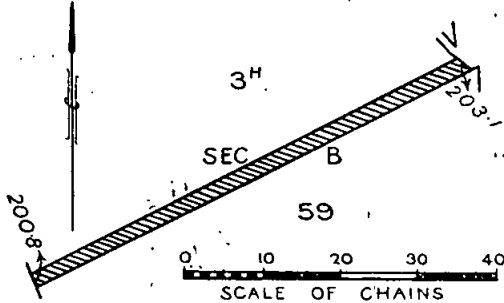
ELECTROPLATERS BOARD—VARIATION OF APPOINTMENT ORDER.

WHEREAS, in pursuance of the provisions of the Factories and Shops Acts for the time being in force, the Governor in Council did by Order appoint a Wages Board described as the Electroplaters Board, and did by further Orders adjust and vary the powers of the said Board: And whereas it is expedient to further vary the powers of the said Board in the manner hereafter appearing: Now therefore His Excellency the Lieutenant-Governor of the State of Victoria, by and with the advice of the Executive Council thereof, under the powers in that behalf conferred by the Factories and Shops Acts, doth hereby vary the Orders above mentioned so that in substitution for the powers thereby confirmed, the said Electroplaters Board shall be given the following powers, that is to say:—

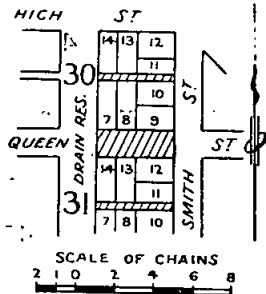
To determine the lowest prices or rates which may be paid to—

- (i) any person or persons or classes of persons employed in the process, trade, or business of—
  - (a) electroplating;
  - (b) metal polishing;
  - (c) metal grinding in electroplating establishments;
  - (d) enamelling or japanning metals—
 other, than persons subject to the determination of any one of the following Boards:—  
 Bedstead Makers Board,  
 Engineers and Brassworkers (Skilled) Board,  
 Engineers and Brassworkers (Unskilled) Board,  
 Jewellers Board,  
 Ovenmakers Board,  
 Tinsmiths Board;
- (ii) any person employed electroplating, grinding, polishing, or finishing articles of tableware or table cutlery.

Parish of Wonga Wonga South, County of Buln Buln, being the road indicated by hachure on plan hereunder.—W.353(8) (Misc. 2152).



Town of Carisbrook, Parish of Carisbrook, County of Talbot, being the roads indicated by hachure on plan hereunder.—(C.132(4) (W.81594).



And the Honorable Percy James Clarey, His Majesty's Minister of Labour for the State of Victoria, shall give the necessary directions herein accordingly.

C. W. KINSMAN,  
Clerk of the Executive Council.

## MOTOR OMNIBUS ACT 1928 (No. 3742).

At the Executive Council Chamber, Melbourne, the  
thirtieth day of July, 1946.

## PRESENT:

His Excellency the Lieutenant-Governor of Victoria.  
Mr. Galvin | Mr. Coleman.  
Mr. Hayes

## PRESCRIPTION OF METROPOLITAN MOTOR OMNIBUS ROUTE No. 114A (BURWOOD-ASHBURTON).

**HIS** Excellency the Lieutenant-Governor of the State of Victoria, by and with the advice of the Executive Council thereof, and in pursuance of the powers conferred by the *Motor Omnibus Act 1928* (No. 3742), doth by this Order prescribe, as set out hereunder, a certain route (i.e., No. 114A) within the metropolitan area, along which motor omnibuses for which "regular service" licences are granted may ply for hire, viz.:—

*Description of Route, including Commencing and Terminal Points.*—Commencing at corner of Toorak and Warrigal roads, Burwood; thence via Toorak-road, Queen's-parade, Bath-road, Clitus-avenue, Madeline-street, Nerissa-street, Baker-parade, Years-road, Fakenham-road, and Welfare-parade, to corner of Welfare-parade and High-street, Ashburton.

*Sections on Route.*—(1) Warrigal-road to corner of Madeline and Nerissa streets; (2) corner of Madeline and Nerissa streets, to High-street.

*Fares to be Charged.*—Any one section, 2d.; additional section, 1d.; through fare, 3d.

*Time-tables to be Observed.*—Minimum service: Week-days and Saturdays—20 minutes, 7 a.m. to 7 p.m.; Sundays—20 minutes, 2 p.m. to 7 p.m.

*Maximum Number of Motor Omnibuses which may be Licensed on Route.*—One.

*Developmental Route.*—His Excellency, the Governor in Council doth also by this Order prescribe the aforesaid Route No. 114A as a "Developmental" Route.

*Licensing Authority.*—Pursuant to the provisions of section 15 (1) (c) of the said Act (No. 3742), the Governor in Council by this Order confers upon the Licensing Authority full power and authority for the carrying into effect by the said Licensing Authority of the foregoing provisions of this Order.

## ADDITIONAL MOTOR OMNIBUS ON METROPOLITAN MOTOR OMNIBUS ROUTE No. 101A (YARRAVILLE-KINGSVILLE).

**HIS** Excellency the Lieutenant-Governor of the State of Victoria, by and with the advice of the Executive Council thereof, and in pursuance of the powers conferred by the *Motor Omnibus Act 1928* (No. 3742), doth by this Order authorize the licensing of an additional motor omnibus on a certain route, within the metropolitan area, along which motor omnibuses for which "regular service" licences are granted may ply for hire, viz.:—

*Route No. 101A.*—Under the heading "Maximum Number of Motor Omnibuses which may be Licensed on Route," amend "2" to read "3".

*Licensing Authority.*—Pursuant to the provisions of section 15 (1) (c) of the said Act (No. 3742), the Governor in Council, by this Order, confers upon the Licensing Authority full power and authority for the carrying into effect by the said Licensing Authority of the foregoing provisions of this Order.

## EXTENSION OF METROPOLITAN MOTOR OMNIBUS ROUTE No. 8A (MORELAND-ESSENDON-NORTH ESSENDON).

**HIS** Excellency the Lieutenant-Governor of the State of Victoria, by and with the advice of the Executive Council thereof, and in pursuance of the powers conferred by the *Motor Omnibus Act 1928* (No. 3742), doth by this Order extend, as set out hereunder, a certain route (i.e., No. 8A) within the metropolitan area, along which motor omnibuses for which "regular service" licences are granted may ply for hire, viz.:—

*Route.*—Under the heading "Description of Route, including Commencing and Terminal Points," immediately after "corner of Pascoe-crescent and Brewster-street" insert "thence via Brewster-street to corner of Brewster and Napier-streets."

*Sections.*—Under the heading "Sections on Route" add "(9) Pascoe-crescent to Napier-street."

*Fares.*—Under the heading "Fares to be Charged," amend "through fare, 4d." to read "through fare, 5d."

*Time-tables.*—Under the heading "Time-tables to be Observed," add "Trips over extension between Pascoe-crescent and Napier-street only to be operated, and then as required,

between 2 p.m. and 3 p.m., and 4.30 p.m. and 5.30 p.m. on those Saturday and Public Holiday afternoons on which Senior Football Matches are played at Essendon Football Ground."

*Licensing Authority.*—Pursuant to the provisions of section 15 (1) (c) of the said Act (No. 3742), the Governor in Council, by this Order, confers upon the Licensing Authority full power and authority for the carrying into effect by the said Licensing Authority of the foregoing provisions of this Order.

And the Honorable Patrick John Kennelly, His Majesty's Commissioner of Public Works, for the State of Victoria, shall give the necessary directions, herein accordingly.

C. W. KINSMAN,  
Clerk of the Executive Council.

## SENATE ELECTIONS. (TIMES AND PLACES) ACT 1928 (No. 3769).

At the Executive Council Chamber, Melbourne, the  
sixth day of August, 1946.

## PRESENT:

His Excellency the Lieutenant-Governor of Victoria.  
Mr. McKenzie | Mr. Fraser.

## ELECTION OF SENATORS FOR VICTORIA.

**HIS** Excellency the Lieutenant-Governor of the State of Victoria, by and with the advice of the Executive Council thereof, and in pursuance of the powers conferred by section 3 of the *Senate Elections (Times and Places) Act 1928*, doth by this Order fix the following dates for the purpose of the election of Senators for Victoria of the Parliament of the Commonwealth, viz.:—

The issue of the writ—Wednesday, 21st August, 1946.

The nomination of the candidates—Tuesday, 3rd September, 1946.

The polling—Saturday, 28th September, 1946; and

The return of the writ—on or before Saturday, 2nd November, 1946.

And doth appoint the Commonwealth Electoral Office, 85 Collins-street, at Melbourne, to be the place for the nomination of candidates.

And the Honorable William Slater, His Majesty's Chief Secretary for the State of Victoria, shall give the necessary directions herein accordingly.

C. W. KINSMAN,  
Clerk of the Executive Council.

## APPROACHING LAND SALES.

SALES of Crown lands, in fee-simple, will be held at the under-mentioned places and dates, viz.:—

|  | No. of Gazette. |
|--|-----------------|
| Echuca.—Monday, 19th August, 1946 .. ..    | 132             |
| Stanhope.—Wednesday, 28th August, 1946 ..  | 145             |
| Tongala.—Wednesday, 28th August, 1946 ..   | 145             |
| Wonthaggi.—Wednesday, 14th August, 1946 .. | 132             |

Lands and Survey Office, Melbourne.

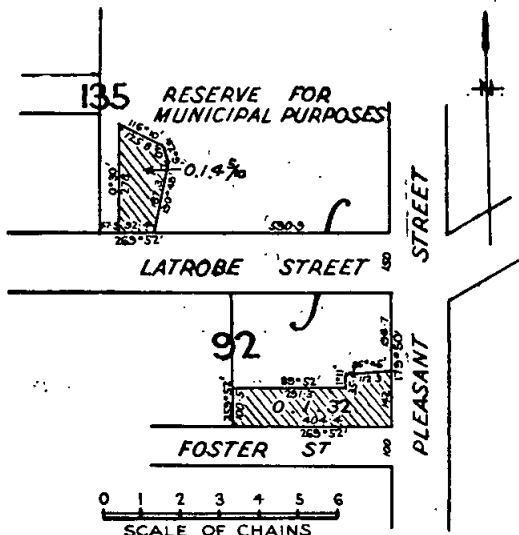
## PROPOSED REVOCATION OF TEMPORARY RESERVATIONS OF LANDS BY ORDERS IN COUNCIL.

**IN** pursuance of the provisions of the *Land Act 1928*, notice is hereby given that it is the intention of the Governor in Council to revoke the temporary reservations of lands by Orders in Council hereunder referred to, viz.:—

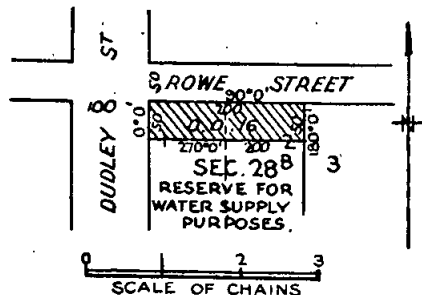
The following Notices were published 1<sup>o</sup> on the 24th July, 1946, pursuant to Orders of the 16th July, 1946.

**BALLAARAT.**—The Order in Council of the 5th December, 1900, temporarily reserving 7 acres 0 roods 39 6/10 perches of land in the City of Ballaarat, as a Site for Municipal purposes

is about to be revoked so far as regards the portions comprising 2 roods 36 5/10 perches, as indicated by hachure on plan hereunder.—(B.128(13) (Rs.5801).

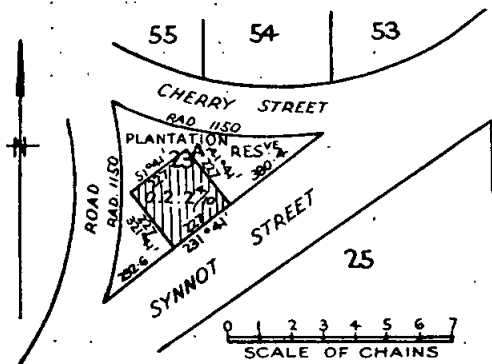


SHEPPARTON.—The Order in Council of the 9th December, 1913 (see *Government Gazette*, 24th December, 1913, page 5540), temporarily reserving 3 roods 24 perches of land in the Township of Shepparton, being allotments 1 and 2 of section 28B, as a Site for Water Supply purposes, is about to be revoked so far as regards the portion thereof indicated by hachure on plan hereunder.—(S.283(11) (C.88825).



The following Notices were published 1° on the 31st July, 1946, pursuant to Orders of the 23rd July, 1946.

DEUTGAM (WERRIBEE).—The Order in Council of the 23rd March, 1886, temporarily reserving 1 acre 3 roods, 15 perches of land in the Town of Werribee as a Site for an Ornamental Plantation is about to be revoked so far as regards the portion thereof indicated by hachure on plan hereunder.—(W.230(2) (Rs.4786).



BAIRNSDALE.—The Order in Council of the 20th April, 1874, temporarily reserving 4 acres of land in the Parish of Bairnsdale, being part of allotment 255, as a Site for State School purposes, is about to be revoked.—(B.67(5) (Rs.5700).

The following Notice was published 1° on the 7th August, 1946, pursuant to Order of the 30th July, 1946.

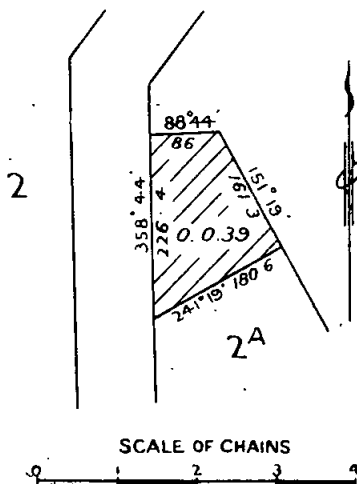
MARYBOROUGH.—The Order in Council of the 27th September, 1897, temporarily reserving 2 roods 0 4/10 perches of land in the municipal district of Maryborough, being part of section 30, as a site for Municipal purposes, is about to be revoked.—(M.66(9) (Rs.5729).

LAND PROPOSED TO BE PERMANENTLY RESERVED.

IN pursuance of the provisions of the *Land Act* 1928, notice is hereby given that it is the intention of the Governor in Council to permanently reserve and except from occupation for mining purposes under any miner's right, the land hereunder described, viz.:—

The following Notice was published 1° on the 7th August, 1946, pursuant to an Order of the 3rd June, 1946.

WONGARRA.—Site for Road and Public purposes, 39 perches, Parish of Wongarra, County of Polwarth, as indicated by hachure on plan hereunder.—W.374(2) (Rs.3989).



L. W. GALVIN,  
Commissioner of Crown Lands and Survey.

HEARING OF REASONS AGAINST THE FORFEITURE OF CERTAIN LICENCES AND LEASES BY PERSONS APPOINTED UNDER 34TH SECTION OF THE LAND ACT 1928.

NOTICE is hereby given that reasons against the forfeiture of the licences and leases in the Schedule hereto, which are deemed liable to forfeiture under the provisions of the Land Acts, will be publicly heard by the persons appointed by me, the responsible Minister of the Crown administering the said Acts, to hear the same and report thereon in writing to me, when the persons in the said Schedule mentioned as holders of such licences and leases will be allowed to show cause against the same at the places and on the dates mentioned in the Schedule hereto.

L. W. GALVIN,  
Commissioner of Crown Lands and Survey.

Department of Lands and Survey,  
Melbourne, 5th August, 1946.

SCHEDULE.

LAND OFFICE, BEECHWORTH, 6th September, 1946, C. A. Gourlay—

- 460/44, A. M. Triffitt, 579a. 2r. 24p., Barambogie.
- 432/44, R. H. Moushing, 200a. 2r. 6p., Beechworth.
- 555/44, B. Shekleton, 57a. 2r. 33p., Bungamero.

LIST OF CROWN LANDS AVAILABLE.

THE under-mentioned areas are available for application as provided by various sections of the Land Act 1928, and all applications received on or before Wednesday, 4th September, 1946, will be deemed to have been simultaneously made, but any application lodged after such date may be considered if received in time for inclusion in the advertisement of the cases to be heard at the Local Land Board. Applications on proper form, accompanied by 5s. duty stamp uncancelled (registration fee), may be delivered or forwarded by post to the Local Land Officer or to any Crown Lands Office in Victoria. Applicants may obtain from Local Land Officers, or the Enquiry Office, Lands Department, Melbourne, a certificate authorizing the issue by the Railway Department of a return ticket at concession fares to enable them to inspect available areas or to attend Local Land Boards. When an applicant is granted an allotment he may, if travelling by rail, obtain reduced fares for his family and also freight concessions in regard to some of his effects.

Marked plans of any particular area, application forms, and any further information may be obtained from the Enquiry Office, Lands Department, Melbourne, and Land Officers Beechworth and Geelong.

Department of Crown Lands and Survey, Melbourne, 2nd August, 1946. L. W. GALVIN, Commissioner of Crown Lands and Survey.

\* Improvements may be subject to re-valuation after land has been granted to an applicant.

| Local Land Office. | County.   | Parish.                        | Allotment. | Section. | Area. | How available.            |         | Survey Fee. | Valuation of Improvements (if any). | Location of Land, &c. | Nearest Railway Station or Township and Distance in miles therefrom. | How accessible. | Water Supply.  | General Description of Land—Soil, Timber, Suitability (Grazing, &c.). |
|--------------------|-----------|--------------------------------|------------|----------|-------|---------------------------|---------|-------------|-------------------------------------|-----------------------|--|-----------------|--|---|
|                    |           |                                |            |          |       | A. R. P.                  | f s. d. |             |                                     |                       |  |                 |  |   |
| Beechworth (a, b)  | Benamبرا. | Berrings, township of Bethanga | 7          | 10       | 3 0 0 | Annual rental to be fixed | 3 2 6   | Nil         | Opposite Church of England          | At Lower Bethanga     | By road  | To be conserved | Suitable for residence and garden. Beechworth H.018991 |   |
| Geelong (a)        | Villiers  | City of Warrnambool            | 4          | 2A       | 0 1 0 | "                         | 3 0 0   | Nil         | Fronting Cramond-street             | Warrnambool, 1/2 mile | By road  | By reticulation | Suitable for residence and garden. Geelong J.20086     |   |
| Geelong (a)        | "         | "                              | 4A         | 2A       | 0 1 0 | "                         | 3 0 0   | Nil         | Fronting Cramond-street             | Warrnambool, 1/2 mile | By road  | By reticulation | Suitable for residence and garden. Geelong J.20089     |   |
| Geelong (a)        | "         | "                              | 4B         | 2A       | 0 1 0 | "                         | 3 0 0   | Nil         | Fronting Cramond-street             | Warrnambool, 1/2 mile | By road  | By reticulation | Suitable for residence and garden. Geelong J.20086     |   |
| Geelong (a)        | "         | "                              | 4C         | 2A       | 0 1 0 | "                         | 3 0 0   | Nil         | Fronting Cramond-street             | Warrnambool, 1/2 mile | By road  | By reticulation | Suitable for residence and garden. Geelong J.20086     |   |

(a) Subject to survey. (b) Subject to telephone line easement.

AVAILABLE UNDER SECTION 129, LAND ACT 1928.

## Land Act 1928.

## LEASE UNDER THE LAND ACT 1928 DECLARED VOID.

NOTICE is hereby given that the Lease mentioned in the Schedule hereunder has been declared void by the Governor in Council for the reason specified.

| District.     | Corr. Number. | Name of Lessee.            | Section of Land Act under which Leased. | Parish.    | Allotment. | Area.               | Class. | Reasons for Voiding.            |
|---------------|---------------|----------------------------|---|------------|------------|---------------------|--------|---------------------------------|
| Bairnsdale .. | 204/44.81     | Andrew Alister<br>Robinson | 44.81                                   | Waygara .. | 2A and 11  | A. R. P.<br>325 2 3 | 3rd    | Non-compliance with conditions. |

L. W. GALVIN,  
Commissioner of Crown Lands and Survey.

Department of Lands and Survey,  
Melbourne, 30th July, 1946.

## Land Act 1928.

## LICENCE UNDER THE LAND ACT 1928 DECLARED VOID.

NOTICE is hereby given that the Licence mentioned in the Schedule hereunder has been declared void for the reason specified.

| District.     | Corr. Number. | Name of Licensee.  | Section of Land Act under which Licenced. | Parish.  | Allotment. | Area.             | Class. | Reasons for Voiding.         |
|---------------|---------------|--------------------|---|----------|------------|-------------------|--------|------------------------------|
| St. Arnaud .. | 0159/129      | Albert Edward Hale | 129                                       | Towma .. | 1A         | A. R. P.<br>3 0 0 | ..     | Declared void—area abandoned |

L. W. GALVIN,  
Commissioner of Crown Lands and Survey.

Department of Lands and Survey,  
Melbourne, 1st August, 1946.

## TENDERS.

TENDERS will be received at this office until **TEN A.M.** on the days and for the purposes under mentioned.

Particulars may be learnt at this office, and also at the offices named in each instance.

The Board of Land and Works will not necessarily accept the lowest or any tender.

13th August, 1946.

Ararat.—Supply and delivery of motor-driven bread cutter, Mental Hospital. Deposit, £2.

Ballendella.—Repairs, painting, and internal renovations, residence, State School No. 3732. Particulars at Inspector of Works Office, Bendigo; Police Stations, Echuca, Rochester; State School, Ballendella. Deposit, £3.

Belgrave South.—Painting and repairs to school and out-buildings, State School No. 3551. Particulars at Police Stations, Ferntree Gully, Ringwood; State School, Belgrave South. Preliminary deposit, £2. Final deposit, 2 per cent.

Bendigo.—Supply and installation of mechanical exhaust system for welding cubicles, School of Mines. Particulars at Inspector of Works Office, Bendigo. Preliminary deposit, £3. Final deposit, 2 per cent.

Branxholme.—Alterations, repairs, and painting, Police Station. Particulars at Inspector of Works Office, Stawell; Police Stations, Ararat, Branxholme, Hamilton. Deposit, £4.

Burnley.—Supply and installation of central heating system, hot-water service, and mechanical ventilation system, School of Agriculture and Horticulture. Preliminary deposit, £15. Final deposit, 2 per cent.

Coojar.—Removal of State School No. 1209, Victoria Valley, and re-erection at State School No. 4622. Particulars at Inspector of Works Office, Stawell; Police Stations, Dunkeld, Hamilton. Deposit, £4.

Cowes.—Repairs, fencing, and painting, State School No. 1282. Particulars at Police Stations, Frankston, Wonthaggi; State School, Cowes. Preliminary deposit, £5. Final deposit, 2 per cent.

Dookie.—New brick building for Domestic Staff, Agricultural College. Particulars at Inspector of Works Offices, Benalla, Shepparton; Agricultural College, Dookie. Preliminary deposit, £15. Final deposit, 2 per cent.

Glenferrie.—Electrical installation, New Chemistry School Swinburne Technical School. Preliminary deposit, £10. Final deposit, 2 per cent.

Goroke.—New timber residence, office, and out-buildings, Police Station. Particulars at Inspector of Works Offices, Horsham, Stawell; Police Stations, Goroke, Nhill. Preliminary deposit, £15. Final deposit, 2 per cent.

Kew.—Supply and delivery of one (1) electrically-heated food trolley, Mental Hospital. Preliminary deposit, £3. Final deposit, 2 per cent.

Longerenong.—Removal and alterations of Workman's Cottage, Agricultural College. Particulars at Inspector of Works Offices, Ballarat, Horsham; Agricultural College, Longerenong. Preliminary deposit, £10. Final deposit, 2 per cent.

Melbourne.—Provision of access to McAllan Gallery, Public Library. Preliminary deposit, £10. Final deposit, 2 per cent.

Melbourne.—Electrical installations in extensions, Emily McPherson College of Domestic Economy, Russell-street. Preliminary deposit, £15. Final deposit, 2 per cent.

Melbourne.—Supply and installation of cold cathode fluorescent lighting equipment, new extension, Emily McPherson College of Domestic Economy, Russell-street. Preliminary deposit, £3. Final deposit, 2 per cent.

Moreland.—Repairs, State School No. 2837. Particulars at State School, Moreland. Deposit, £2.

Newbridge.—Repairs and renovations, State School No. 457. Particulars at Inspector of Works Offices, Bendigo, Maryborough; Police Stations, Dunolly, Inglewood; State School, Newbridge. Deposit, £4.

Powelltown.—Repairs and painting, State School No. 3957. Particulars at Police Stations, Lilydale, Warburton; State School, Powelltown. Preliminary deposit, £4. Final deposit, 2 per cent.

Raywood.—Repairs and painting, State School No. 1844. Particulars at Inspector of Works Office, Bendigo; Police Stations, Inglewood, Mitiamo; State School, Raywood. Preliminary deposit, £4. Final deposit, 2 per cent.

Red Cliffs.—Removal of State School No. 4270, Benetook, and State School No. 3903, Yatpool, and re-erection at State School No. 4057. Particulars at Inspector of Works Office, Mildura; Police Stations, Merbein, Ouyen; State School, Red Cliffs. Preliminary deposit, £5. Final deposit, 2 per cent.

Rushworth.—Repairs, painting, and fencing, Court House and Police Station. Particulars at Inspector of Works Office, Shepparton; Police Stations, Echuca, Rushworth, Seymour. Preliminary deposit, £4. Final deposit, 2 per cent.

Rye.—Repairs and painting, residence, State School No. 1667. Particulars at Police Stations, Frankston, Mornington; State School, Rye. Deposit, £3.

St. James.—Repairs and painting, State School No. 2579. Particulars at Inspector of Works Offices, Benalla, Wangaratta; State School, St. James. Deposit, £3.

Stawell.—Purchase of single roller steam mangle, roller 7 ft. x 10 in. diameter, complete with 1-h.p. three-phase Crompton-Parkinson electric motor, Pleasant Creek Special School. Machine may be inspected at the school.

Tynong.—Repairs and painting, residence, State School No. 2854. Particulars at Police Stations, Dandenong, Warragul; State School, Tynong. Preliminary deposit, £4. Final deposit, 2 per cent.

Yarram.—Installation of an electric hot-water service, Police Station. Particulars at Inspector of Works Office, Korumburra; Police Station, Yarram. Deposit, £2.

Yering.—Repairs, painting, and new wash-house and store-room, school and residence, State School No. 1034. Particulars at Police Stations, Healesville, Lilydale; State School, Yering. Preliminary deposit, £4. Final deposit, 2 per cent.

20th August, 1946.

Albert Park.—External painting and renovations and minor internal repairs, State School No. 1181. Preliminary deposit, £10. Final deposit, 2 per cent.

Ararat.—Electrical installation in additions for technical classes, High School. Particulars at Inspector of Works Office, Stawell; Police Station, Ararat. Preliminary deposit, £10. Final deposit, 2 per cent.

Ballarat.—Supply and delivery of one (1) water-cooling unit for steam condenser circulating water, School of Mines. Preliminary deposit, £4. Final deposit, 2 per cent.

Boronia.—Painting, repairs, &c., State School No. 4081. Particulars at Police Station, Ferntree Gully; State School, Boronia. Deposit, £4.

Buffalo River.—External and internal painting and repairs and non-party fencing, State School No. 1516. Particulars at Inspector of Works Office, Wangaratta; Police Stations, Bright, Myrtleford; State School, Buffalo River. Deposit, £3.

California Gully.—Repairs and painting, State School No. 123. Particulars at Inspector of Works Office, Bendigo; State School, California Gully. Preliminary deposit, £10. Final deposit, 2 per cent.

Caulfield North.—Repairs and painting, State School No. 3820. Preliminary deposit, £10. Final deposit, 2 per cent.

Devenish.—Repairs and painting, school and residence, State School No. 1764. Particulars at Inspector of Works Offices, Benalla, Wangaratta; Police Station, Yarrowonga; State School, Devenish. Preliminary deposit, £4. Final deposit, 2 per cent.

Geelong.—Supply and installation of mechanical exhaust system in Chemical Laboratory, Gordon Institute of Technology. Particulars at Inspector of Works Office, Geelong. Preliminary deposit, £3. Final deposit, 2 per cent.

Geelong.—Repairs and painting, Gordon Institute of Technology. Particulars at Inspector of Works Office, Geelong. Preliminary deposit, £10. Final deposit, 2 per cent.

Heatherton.—Erection of new mortuary building, Sanatorium. Preliminary deposit, £15. Final deposit, 2 per cent.

Ivanhoe East.—Repairs and painting, State School No. 4386. Preliminary deposit, £15. Final deposit, 2 per cent.

Lake Tyers.—Painting and renovations, State School No. 1319. Particulars at Inspector of Works Office, Bairnsdale; Police Stations, Orbost, Sale; State School, Lake Tyers. Deposit, £4.

Lake Tyers.—Repairs to teacher's residence, Aboriginal Station. Particulars at Inspector of Works Office, Bairnsdale; Police Station, Orbost; Aboriginal Station, Lake Tyers. Preliminary deposit, £4. Final deposit, 2 per cent.

Melbourne.—Installation of central heating and hot-water in new additions, Emily McPherson College of Domestic Economy, Russell-street. Preliminary deposit, £15. Final deposit, 2 per cent.

Moe.—Fencing, State School No. 2142. Particulars at Inspector of Works Office, Bairnsdale; Police Stations, Sale, Traralgon; State School, Moe. Preliminary deposit, £5. Final deposit, 2 per cent.

Mont Park.—Purchase and removal of timber building, cook's quarters, Mental Hospital. Deposit, £2.

Muckatah.—Remodelling school building, State School No. 2496. Particulars at Inspector of Works Office, Shepparton; Police Stations, Cobram, Numurkah; State School, Muckatah. Preliminary deposit, £5. Final deposit, 2 per cent.

Murrayville.—Removal of school buildings, re-erection, and converting into residences, State School No. 3743. Particulars at Inspector of Works Offices, Maryborough, Mildura; Police Stations, Murrayville, Ouyen. Preliminary deposit, £15. Final deposit, 2 per cent.

Nathalia.—Removal of school buildings from State School No. 4451, Echuca South, and re-erection, repairs, and painting, State School No. 2060. Particulars at Inspector of Works Office, Shepparton; Police Stations, Echuca, Kyabram, Nathalia. Preliminary deposit, £4. Final deposit, 2 per cent.

Outtrim.—Renovations, repairs, and painting, State School No. 3229. Particulars at Inspector of Works Office, Korumburra; Police Station, Wonthaggi; State School, Outtrim. Preliminary deposit, £5. Final deposit, 2 per cent. (Amended specification.)

Terang.—Removal of army hut from Osborne House, Geelong, and re-erection only or alternatively for removal, re-erection, and remodelling, Higher Elementary School No. 617. Particulars at Inspector of Works Offices, Geelong, Warrnambool; Police Stations, Camperdown, Terang. Preliminary deposit, £5. Final deposit, 2 per cent. (Amended specification.)

Traralgon.—Erection of timber residence for Inspector of Works, Public Works Department. Particulars at Inspector of Works Office, Bairnsdale; Police Stations, Moe, Morwell, Traralgon. Preliminary deposit, £15. Final deposit, 2 per cent.

Werribee.—Erection of new timber cottage, State Research Farm. Particulars at Inspector of Works Office, Geelong; State Research Farm, Werribee. Preliminary deposit, £15. Final deposit, 2 per cent.

Tenders to be addressed to the Honorable the Commissioner of Public Works, and envelope containing tender marked "Tender for

due  
P. J. KENNELLY,  
Commissioner of Public Works.

Melbourne, 6th August, 1946.

## PRIVATE ADVERTISEMENTS.

### CITY OF CHELSEA.

#### BY-LAW No. 39.

A By-law of the City of Chelsea, made under the provisions of the Local Government Act, and numbered 39, for the purpose of prohibiting, regulating, or controlling excavating operations (other than quarrying or blasting operations).

IN pursuance of the powers conferred by the Local Government Act and of every other power thereunto enabling, the Mayor, Councillors, and Citizens of the City of Chelsea order as follows:—

1. On and after the coming into operation of this By-law, no excavating operations (other than quarrying or blasting operations or excavating operations connected with works commenced before the tenth day of November, 1938) shall be commenced or carried on upon any land in the municipal district of the City of Chelsea without the consent in writing of the Council of the City of Chelsea (hereinafter called "the Council") first having been obtained, provided that this shall not apply to any excavating operations in connexion with—

- (a) the erection of any building, approval for such erection having been obtained from the Council in accordance with the By-laws relating thereto, and
- (b) any works being performed by or for any Government or public body.

2. Any excavating operations commenced prior to the coming into operation of this By-law, but subsequent to the tenth day of November, 1938, shall upon the coming into operation of this By-law, immediately cease, and such excavating operations shall not be recommenced without the consent in writing of the Council first having been obtained.

3. Every person carrying on excavating operations (whether connected with works commenced before the tenth day of November, 1938, or not), and every person commencing excavating operations in accordance with clauses 1 or 2 of this By-law, shall comply with the following conditions:—

- (a) The excavating operations shall be confined to the area and the maximum depth specified by the Council.

- (b) The excavating operations shall be carried on only for the duration of the permit issued by the Council, and no longer.

- (c) Such excavating operations shall not be carried on within a distance of 50 feet from any street or road, nor within 30 feet from any building or land owned by some person other than the person who owns the land upon which such excavating operations are being carried on.

(d) The banks or sides of all such excavations shall be sloped down and maintained with a grade of not more than one vertical to three horizontal.

(e) The excavation shall be filled in by the owner of the land upon which such excavation has been made within such time and in such manner and with such materials as the Council may direct.

4. The Council may, before issuing any permit to commence and carry on any excavating operations, require the person applying for the permit to enter into such bond or deposit or give such security as the Council may think sufficient to secure compliance with the requirements of clause 3 hereof.

5. Notwithstanding anything hereinbefore contained, no excavating operations shall be carried on upon any land which is situate in any area which has been proclaimed a residential area by By-law.

6. Any person guilty of any wilful act or default contrary to this By-law shall be liable to a penalty of not less than Ten pounds nor more than Twenty pounds, and to a further penalty of not more than Five pounds for each day such offence is continued after a conviction or order by any court.

7. This By-law shall apply to and have operation throughout the whole of the municipal district of the City of Chelsea.

8. This By-law shall come into operation and have effect immediately on its publication in the *Victoria Government Gazette*.

Resolution for passing this By-law agreed to by the Council on the first day of April, 1946, and confirmed on the twentieth day of May, 1946.

The common seal of the Mayor, Councillors, and Citizens of the City of Chelsea was affixed hereto, this 20th day of May, 1946, in the presence of—

(SEAL) H. S. MCCOLL, Mayor.  
R. CHEESEMAN, Councillor.  
L. F. PAYNE, Councillor.  
A. S. COLLINGS, Town Clerk.

Approved by the Governor in Council, 16th July, 1946.—  
C. W. KINSMAN, Clerk of the Executive Council. 7248

#### CITY OF FOOTSCRAY.

##### By-LAW No. 112.

A By-law of the City of Footscray, numbered 112, made under section 197 of the *Local Government Act 1928*, for prescribing areas within the municipal district as residential areas, and prohibiting or regulating within the whole of the such residential areas the use of any land or the erection (including adaptation for use), or the use of any building or vacant land for the purposes of trades, industries, manufactures, businesses, or public amusements.

IN pursuance of the powers conferred by the Local Government Acts and of every power it thereunder enabling, the Mayor, Councillors, and Citizens of the City of Footscray, with the approval of the Governor in Council, order as follows:—

From and after the coming into operation of this By-law, for clause 4 of schedule A of By-law No. 4 there shall be substituted the following clause:—

4. All streets and lands included in that area bounded as follows:—

Commencing at the intersection of the south side of Indwe-street and the western boundary of the municipal district; thence east by the south side of Indwe-street for a distance of 21 chains; thence south by a straight line to the north side of Lae-street; thence west by a straight line to the western boundary of the municipal district; thence north by the said boundary of the municipal district to the point of commencement.

Resolution for passing this By-law agreed to by the Council of the City of Footscray on the 26th day of November, 1945, and confirmed on the 4th day of February, 1946.

The common seal of the Mayor, Councillors, and Citizens of Footscray was hereunto affixed, in our presence, by order of the Council—

(SEAL) W. H. ANDERSON, Mayor.  
C. L. DREW, Councillor.  
JOHN GENT, Town Clerk.

Approved by the Governor in Council, 16th July, 1946.—  
C. W. KINSMAN, Clerk of the Executive Council. 7247

#### SHIRE OF BACCHUS MARSH.

##### By-LAW No. 35.

A By-law of the Shire of Bacchus Marsh, made under the Local Government Acts and the Uniform Building Regulations Victoria, and numbered 35, for determining, applying, dispensing with, or regulating such matters or things as are left to be determined, applied, dispensed with, or regulated by the Council of the said Shire under the Uniform Building Regulations Victoria.

IN pursuance of the powers conferred by the Local Government Acts and the Uniform Building Regulations Victoria, and of any and every other power it thereunto enabling, the President, Councillors, and Ratepayers of the Shire of Bacchus Marsh order as follows:—

1. The area bounded on the north by a line eighty feet from and north of the northern alignment of Main-street, Bacchus Marsh, on the east by the eastern alignment of Lord-street, Bacchus Marsh, and its continuation northwards, on the south by a line eighty feet from and south of the southern alignment of Main-street, Bacchus Marsh, and on the west by the western alignment of Grant-street, Bacchus Marsh, and its continuation northwards is hereby prescribed as a brick area, and no person shall in such area construct or cause to be constructed any building the external walls of which are of material other than brick, stone, or concrete.

2. The minimum area, depth, and width of frontage specified in column 3 of Table 803 of the Uniform Building Regulations Victoria are hereby adopted as the minimum area, depth, and width of frontage of land on which a building shall be constructed throughout the whole of the municipal district.

The resolution for passing this By-law was agreed to by the Council, on the 13th day of May, 1946, and confirmed the 11th day of June, 1946.

The common seal of the President, Councillors, and Ratepayers of the Shire of Bacchus Marsh was hereto affixed, in the presence of—

(SEAL) C. J. McFARLANE, Councillor.  
GEO. H. ANDERSON, Councillor.  
A. W. BOND, Secretary.

Approved by the Governor in Council, 16th July, 1946.—  
C. W. KINSMAN, Clerk of the Executive Council. 7246

#### SHIRE OF RODNEY.

NOTICE is hereby given that the Council of the Shire of Rodney has forwarded to the Honorable the Minister for Water Supply—

- (a) an application for the proclamation of a sewerage district and for sanction for the construction, maintenance, and continuance of sewerage works for the Township of Tatura; and  
(b) a general plan and description of the proposed works.

Copies of the general plan and description may be inspected, without payment, by any person at the following places:—

Shire Offices, Tatura;

State Rivers and Water Supply Commission, 100 Exhibition-street, Melbourne.

Commission of Public Health, 295 Queen-street, Melbourne.

W. T. A. MARTIN, Shire Secretary.

Shire Office, Tatura. 7260

NOTICE is hereby given that the partnership lately subsisting between us, Jonas Friedman, Abram Rawicki, and Srul Ber Tron, carrying on the business of cartage contractors at Lemnos, Shepparton, and at 16 Ontario-street, Caulfield, has this day been dissolved by mutual consent. The said business will be carried on by Abram Rawicki and Srul Ber Tron, at 511 Station-street, North Carlton. All debts due to or owing by the said late partnership will be received and paid by the said Abram Rawicki and Srul Ber Tron.

Dated the 30th day of July, 1946.

J. FRIEDMAN,  
A. RAWICKI,  
S. B. TRON.

Rockman and Janover, solicitors, 169 Elgin-street, Carlton. 7249

NOTICE is hereby given that the partnership heretofore subsisting between Paul Byron and Leo. William Healy, carrying on business as import and export agents, at No. 49 Elizabeth-street, Melbourne, under the name or style of Healy Import and Export Company of Australia, has been dissolved by mutual consent, as from the 31st day of July, 1946.

Dated the 31st day of July, 1946.

PAUL BYRON,  
L. W. HEALY.

M. Mornane, solicitor, 95 Queen-street, Melbourne. 2311



NOTICE is hereby given that the partnership subsisting between Arthur Dexter Thurlow and Harry Cecil Thurlow, carrying on business as farmers at Yarragon, under the firm name of Thurlow Bros., was dissolved by mutual consent on the 17th day of May, 1946, from which date the said business has been carried on by the said Arthur Dexter Thurlow in his own name, and he will hereafter continue so to do.

Dated this 18th day of July, 1946.

A. D. THURLOW.  
C. H. THURLOW.

Gray, Friend, and Moonie, solicitors, Warragul. 7272

#### NOTICE OF DISSOLUTION OF PARTNERSHIP.

NOTICE is hereby given that the partnership heretofore subsisting between the undersigned Wilfred Herbert Foster and Joseph Norman Conway, carrying on business as carriers and agents, at Hopetoun, under the name of Foster and Conway, has been dissolved by mutual consent, as from the 31st day of July, 1946. All debts due to and owing by the said late firm will be received and paid by the said Wilfred Herbert Foster, who will continue to carry on the business at the same place.

Dated at Hopetoun the 31st day of July, 1946.

W. H. FOSTER.  
J. N. CONWAY.

Witness to the signatures of both parties—D. J. Commons, solicitor, Hopetoun. 7280

NOTICE is hereby given that the partnership heretofore subsisting between Benjamin David Tripcony and Walter Charles Bridgman, carrying on business as pastrycooks at 480 City-road, South Melbourne, under the name or style of V.B. Products, has been dissolved by mutual consent, as from the 20th day of June, 1946, so far as concerns the said Walter Charles Bridgman, who retired from the said firm. Benjamin David Tripcony continues to carry on business at the address aforesaid under the name of V.B. Products.

Dated the 9th day of July, 1946.

7325

W. C. BRIDGMAN.  
B. D. TRIPCONY.

NOTICE is hereby given that the partnership heretofore subsisting between Veronica Elizabeth O'Donnell, of Seymour, nursing sister, and Grace Charity Harvey, of Seymour, nursing sister, carrying on business as a private hospital, at Seymour, has been dissolved by mutual consent.

Dated this 29th day of July, 1946.

7279

G. C. HARVEY.  
V. E. O'DONNELL.

#### KIRKDALE INVESTMENTS PROPRIETARY LIMITED (IN LIQUIDATION).

NOTICE CONVENING FINAL MEETING, PURSUANT TO SECTION 236 OF THE COMPANIES ACT 1938.

NOTICE is hereby given, in pursuance of section 236 of the Companies Act 1938, that a General Meeting of the members of the above-named company will be held at 171 Orrong-road, East St. Kilda, on Saturday, the 14th day of September, 1946, at Twelve o'clock noon, for the purpose of having an account laid before them showing the manner in which the winding up has been conducted and the property of the company disposed of, and of hearing any explanation that may be given by the liquidator.

Dated this 1st day of August, 1946.

7308

N. DEAGUE, Liquidator.

#### Companies Act 1938.

NOTICE OF INTENTION TO APPLY TO ATTORNEY-GENERAL FOR LICENCE.—PURSUANT TO SECTION 18 (1).

I WALTER JOSEPH BEASLEY, of 41 High-street, Kew, on behalf of The Australian Institute of Archaeology, about to be formed for the purpose of promoting science and religion, hereby give notice of intention to apply to the Attorney-General for a licence directing that the said association be registered as a company with limited liability without the addition of the word "Limited" in its name.

Dated the 30th day of July, 1946.

WALTER JOSEPH BEASLEY.  
Martin and Martin, solicitors, 37 Queen-street, Melbourne.

7306

#### MCGREGOR WHEEL GRIP AND ENGINEERING PTY. LTD. (IN LIQUIDATION).

NOTICE OF INTENTION TO DECLARE DIVIDEND.

A FOURTH and Final Dividend is intended to be declared in the above matter. Creditors who have not proved their debt by the 23rd day of August, 1946, will be excluded from this dividend.

Dated this 2nd day of August, 1946.

H. C. BRODERICK, Liquidator.  
H. C. Broderick, B.Com., chartered accountant (Aust.), 340 Collins-street, Melbourne, C.I. 7318

#### P. LEARMONTH & CO. LIMITED.

AT an Extraordinary General Meeting of the above-named company, duly convened and held at Hamilton, on Wednesday, the 31st day of July, 1946, the following Resolution was duly passed as a Special Resolution:—

"That the company be wound up voluntarily."

And at such meeting Gordon William Rasmussen, of Hamilton, secretary, was appointed liquidator for the purpose of the winding up.

Dated the 1st day of August, 1946.

F. W. COPE, Chairman.  
Westacott and Lord, solicitors, Hamilton. 7265

JACOB ROCKMAN, late of 7 Sidwell-avenue, Caulfield, merchant (who died 16th February, 1946).

CREDITORS, next of kin, and all other persons having claims against the estate of the deceased are required by the executors of the will, Philip Rockman, Herschel Rockman, and Norman Rockman, to send particulars to them, care of the undersigned, on or before the 15th October, 1946, after which date they will distribute the assets, having regard only to the claims of which they then have notice.

ROCKMAN & JANOVER, solicitors, 169 Elgin-street, Carlton. 7270

#### NOTICE TO CREDITORS.

CREDITORS, next of kin, and others having claims in respect of the estate of Mabel May Toop, late of Botanical Gardens, Ballarat, married woman, deceased (who died on 20th May, 1946), are to send particulars of their claims to The Ballarat Trustees, Executors, and Agency Company Limited, at its address, 101 Lydiard-street north, Ballarat, by the 10th day of October, 1946, after which date the company will distribute the assets, having regard only to the claims of which it then has notice.

Dated the 5th day of August, 1946.

BAIRD & BAIRD, solicitors, Ballarat. 7275

PURSUANT to the Trustee Act 1928, notice is hereby given that all persons having claims against the estate of Robert James Duncan, late of Smith-street, Clunes, retired gentleman, deceased (who died on the 4th November, 1945, and probate of whose will was granted by the Supreme Court of the State of Victoria, in its probate jurisdiction, on the 30th day of April, 1946, to William Barkell, of Clunes, commission agent), are hereby required to send particulars, in writing, of such claims to the said executor, care of the undersigned, on or before the 17th day of October, 1946, after which date the said executor will proceed to distribute the assets of the said deceased which shall have come to his hands amongst the persons entitled thereto, having regard only to the claims of which he shall then have had notice, and will not be liable for the assets so distributed, or any part thereof, to any person of whose claim he shall not then have had notice as aforesaid.

Dated this 30th day of July, 1946.

NEVETT, NEVETT, & GLENN, 11 Lydiard-street, Ballarat, proctors for the said executor. 7274

PURSUANT to the Trustee Act 1928, notice is hereby given that all persons having claims against the estate of Alice Victoria Zelius, late of Leeds-road, Doncaster, in the State of Victoria, widow, deceased (who died on the 30th day of June, 1946, and application for a grant of representation of whose estate has been made to the Registrar of Probate by Alan John Moir, of 95 Queen-street, Melbourne, solicitor, the executor appointed by the Will of the said deceased), are hereby required to send particulars, in writing, of such claims to the said executor, care of the undersigned solicitors, on or before the 11th day of October, 1946, after which date the said executor will proceed to convey or distribute the said estate, or any part thereof, amongst the persons entitled thereto, having regard only to the claims, whether formal or not, of which he shall then have had notice; and notice is hereby further given that the said executor will not, as respects the property so conveyed or distributed, be liable to any person of whose claim he shall not have had notice.

GILLOTT, MOIR, & AHERN, 95 Queen-street, Melbourne, solicitors for the said executor. 7300

## NOTICE TO CREDITORS.

PURSUANT to the *Trustee Act* 1928, notice is hereby given that all persons having claims upon the estate of Alice Gertrude Makin, formerly of 66 St. George's-road, Elsternwick, but late of 150 Alma-road, East St. Kilda, widow, deceased (who died on the 18th day of May, 1946, and probate of whose will was granted by the Supreme Court of Victoria, on the 10th day of July, 1946, to Arthur Lee Haslam, of 100 Glenhuntingly-road, Elsternwick, bank manager), are hereby required to send particulars, in writing, of such claims to the executor, at the office of the under-mentioned solicitor, on or before the 20th day of October, 1946, after which date the executor will proceed to convey or distribute the said estate among the persons entitled thereto, having regard only to the claims of which he shall then have had notice.

KENNETH J. CLEMENTS, solicitor, 29 Glenhuntingly-road, Elsternwick, S.A. 7271

CREDITORS, next of kin, and others having claims in respect of the estate of Inezella Blythen (also known as Inzella Blythen), formerly of 5 Goldsmith-street, Elwood, in the State of Victoria, late of Alexandra Mansions, Aikman-street, South Melbourne, in the said State, spinster, deceased, intestate (who died on the 30th day of December, 1945), are to send the particulars of their claims to The Perpetual Executors and Trustees Association of Australia Limited, of 100-104 Queen-street, Melbourne, by the 12th day of October, 1946, after which date it will distribute the assets, having regard only to the claims of which it then has notice.

KEITH HERCULES, LL.B., solicitor, 443 Little Collins-street, Melbourne. 7321

CREDITORS, next of kin, and others having claims in respect of the estate of Frank Arthur Sweetnam, formerly of 53 Grange-road, Toorak, and 43 Warrandyte-road, Ringwood, but late of 22 Church-street, Toorak, medical practitioner (who died on 9th March, 1946), are to send the particulars of their claims to The Equity Trustees, Executors, and Agency Company Limited, 472 Bourke-street, Melbourne, by the 11th October, 1946, after which date it and its co-executor, Reginald Innes Sweetnam, 412 Toorak-road, Toorak, medical practitioner, will distribute the assets, having regard only to the claims of which it and he then have notice.

PLANTE & HENTY, 395 Collins-street, Melbourne, solicitors for the executors. 7331

CREDITORS, next of kin, and others having claims in respect of the estate of Alexander Peden Gardiner, late of "Kirrabelle," 58 Eskdale-road, Caulfield, company director, deceased (who died on 11th April, 1946), are to send particulars of their claims to The Union Trustee Company of Australia Limited, of 333 Collins-street, Melbourne, by the 8th October, 1946, after which date it will distribute the assets, having regard only to the claims of which it then has notice.

Dated 7th August, 1946.

McKEAN & PARK, 84 William-street, Melbourne, solicitors for the executor. 7332

CREDITORS, next of kin, and others having claims in respect of the estate of John Henry Vaughn Read, also known as John Henry Vaughan Read, late of Oxford House, 307 Union-road, Balwyn, in the State of Victoria, commercial traveller, deceased (who died on the 30th day of March, 1946), are to send particulars of their claims to The Equity Trustees, Executors, and Agency Company Limited, of 472 Bourke-street, Melbourne, by the 17th day of October, 1946, after which date it will distribute the estate, having regard only to the claims of which it then has notice.

ABBOTT, BECKETT, STILLMAN, & GRAY, solicitors, 422 Little Collins-street, Melbourne. 7322

## NOTICE TO CREDITORS AND OTHERS.—RE JAMES

HENRY TAYLOR MURPHY, DECEASED.

PURSUANT to the *Trustee Act* 1928, notice is hereby given that Margaret Louise Murphy, of Ararat, widow, and John Herron Hildebrand, of Port Fairy, supervisor, the executors to whom probate of the will, and codicil thereto, of the above James Henry Taylor Murphy, formerly of Stud-road, Dandenong, but late of Ararat, retired farmer, deceased (who died on the 4th day of April, 1946, was granted by the Supreme Court of the State of Victoria, on the 24th day of July, 1946), intend to convey or distribute the estate of the said deceased to or among the persons entitled thereto, and require all persons and creditors interested to send to the said Margaret Louise Murphy, and John Herron Hildebrand, care of the undersigned solicitors, on or before the 20th day of October, 1946, particulars, in writing, of their claims against the said estate, after which date the said executors may convey or distribute the said estate to or among the persons entitled thereto, having regard only to the claims, whether formal or not, of which they shall then have had notice.

BOOTHBY & BOOTHBY, solicitors, 408 Collins-street, Melbourne, and at Korumburra. 7324

CREDITORS, next of kin, and others having claims in respect of the estate of Nancy Isabell May, formerly of Blackburn-road, Blackburn, late of 1 Edzell-avenue, Toorak, married woman, deceased (who died on the 23rd day of January, 1946), are to send the particulars of their claims to The Perpetual Executors and Trustees Association of Australia Limited, of 100-104 Queen-street, Melbourne, by the 15th day of October, 1946, after which date it will distribute the assets, having regard only to the claims of which it then has notice.

HENDERSON & BALL, solicitors, 430 Little Collins-street, Melbourne. 7301

CREDITORS, next of kin, and others having claims in respect of the estate of George Jaboor, formerly of Middleboro-road, Box Hill, but late of 5 Jersey-street, Balwyn, in the State of Victoria, publisher's representative, deceased (who died on the 7th day of February, 1946), are to send particulars of their claims to The Union Trustee Company of Australia Limited, of 333 Collins-street, Melbourne, by the 7th day of October, 1946, after which date it will distribute the assets, having regard only to the claims of which it then has notice.

Dated the 7th day of August, 1946.

KRCROUSE, OLDFHAM, & DARVALL, solicitors, 352 Collins-street, Melbourne. 7302

SIR JAMES ALEXANDER MACKENZIE ELDER, late of Mayfair, Marne-street, South Yarra, in the State of Victoria, knight (who died on 30th May, 1946).

CREDITORS, next of kin, and other persons having claims against the estate of the said deceased are required by The Union Trustee Company of Australia Limited, of 333 Collins-street, Melbourne, in the State of Victoria, and Stanley Ernest Elder, of 406 Collins-street, Melbourne aforesaid, solicitor, the executors of the will of the said deceased, to send particulars of claims, in writing, to the said The Union Trustee Company of Australia Limited, at its address aforesaid, on or before the 8th day of October, 1946, after which date the said executors will distribute the assets, having regard only to the claims of which they then have notice.

MADDEN, BUTLER, ELDER, & GRAHAM, 406 Collins-street, Melbourne. 7305

FREDERICK ADOLPH GROENING, late of 100 Wilkins-street, Newport, chemist, DECEASED.

ALL persons having claims against the estate of the above-named Frederick Adolph Groening, deceased (who died on the 26th day of April, 1946), are to send particulars, in writing, of their claims to The Trustees, Executors, and Agency Company Limited, of 401 Collins-street, Melbourne, the executor appointed by the will of deceased, on or before the 8th day of October, 1946, after which date the said company will distribute the assets to or among the persons entitled thereto, having regard only to the claims of which it shall have had notice.

HENDERSON & BALL, solicitors, 430 Little Collins-street, Melbourne. 7309

MARY GERTRUDE DALTON, of Colac East, in the State of Victoria, spinster, the executrix of the will of Mary Ann Blair, late of Colac, in the said State, spinster, deceased (who died on the 9th day of August, 1945), requires all creditors, next of kin, and others having claims against the property or estate of the said deceased, to send to the said executrix, in the care of P. Arundell, M.A., LL.B., solicitor, Colac, on or before the 18th day of October, 1946, particulars, in writing, of such claims, after which date the said executrix intends to convey or distribute such property or estate to or amongst the persons entitled thereto, having regard only to the claims of which she shall have had notice.

Dated the 3rd day of August, 1946.

P. ARUNDELL, M.A., LL.B., solicitor, Colac, solicitor for the said executrix. 7326

ANNIE ELIZA MOLYNEAUX, of Garvoc, in the State of Victoria, widow, the administratrix of the estate of Jane Elizabeth Bonner, late of Calvert-street, Colac, in the said State, spinster, deceased, intestate (who died on the 29th day of September, 1945), requires all creditors, next of kin, and others having claims against the property or estate of the said deceased to send to the said administratrix, in the care of P. Arundell, M.A., LL.B., solicitor, Colac, on or before the 18th day of October, 1946, particulars, in writing, of such claims, after which date the said administratrix intends to convey or distribute such property or estate to or amongst the persons entitled thereto, having regard only to the claims of which she shall have had notice.

Dated the 3rd day of August, 1946.

P. ARUNDELL, M.A., LL.B., solicitor, Colac, solicitor for the said administratrix. 7328

## Trustee Act 1928.

## NOTICE TO CLAIMANTS.

**P**URSUANT to the *Trustee Act 1928*, creditors, next of kin, and all other persons having claims in respect of the estate of any deceased person named below are required to send particulars thereof to the legal personal representative or representatives at the address stated below, on or before the date stated, after which date the representative or representatives will distribute the assets, having regard only to the claims of which notice has been received:—

Mary Catherine McManus, late of St. Arnaud, in the State of Victoria, spinster, deceased, died 15th January, 1946.—Claims to the executor, Peter James O'Donohue, of Alma-street, St. Arnaud, in the said State, farmer, by 9th October, 1946. Dated this 2nd day of August, 1946. H. L. Dunkley and Kelly, solicitors, St. Arnaud. 7281

Robert Parker, late of Upwey, salesman, died on 9th May, 1946.—Claims to the executors, Geoffrey Layton Wood, Phyllis Boulah Keiller, and Edmund Ernest Frank Pullen, care of the undersigned, by the 10th October, 1946. Godfrey and Godfrey, solicitors, 325 Collins-street, Melbourne. 7316

George Scott, late of number 34 Queen-street, Melbourne, and 3A Stonnington-place, Toorak, manufacturer's agent, died on 21st day of January, 1946.—Claims to executor, The Trustees, Executors, and Agency Company Limited, of 401 Collins-street, Melbourne, by the 12th day of October, 1946. Selwyn L. Gerity, solicitor, 422 Little Collins-street, Melbourne. 7319

Amelia Augusta Harris, formerly of 19 Abbotsford-street, North Melbourne, but late of 21 Elm-street, North Melbourne, married woman, deceased, who died on the 11th December, 1945.—Claims to the executrix, Rita Sleeth Bowman, care of F. J. Barlow and Co., solicitors, Dandenong, by the 10th October, 1946. F. J. Barlow and Co., solicitors, Dandenong. 7323

Mary Ann Buckle, late of 85 Osborne-street, South Yarra, spinster, who died 30th June, 1946.—Claims to the executors, Richard Cole, of 5 Medway-street, Footscray, boilermaker, Rose Parkinson, of 2 Bunabo-avenue, Hawksburn, widow, and Jane Deebie, of "Uondo," Woodend, married woman, care of James P. Ogge, LL.B., solicitor, 165 Greville-street, Prahran, by 28th October, 1946. 7327

Alfred Ernest Goodliffe, late of 3 Thompson-street, Abbotsford, gentleman, died 16th March, 1946.—Claims to the executor, The Equity Trustees, Executors, and Agency Company Limited, of 472 Bourke-street, Melbourne, by the 16th October, 1946. Maddock, Lonie, and Chisholm, solicitors, 339 Collins-street, Melbourne. 7329

Frances Marshall, late of "Lanark," Duke-street, Daylesford, widow, died 8th May, 1946.—Claims to the executor, The Equity Trustees, Executors, and Agency Company Limited, of 472 Bourke-street, Melbourne, by the 16th October, 1946. Maddock, Lonie, and Chisholm, solicitors, 339 Collins-street, Melbourne. 7330

Robert Jamieson, late of "Stony Point," Darlington, in Victoria, grazier, deceased, who died on the 22nd day of April, 1946.—Claims to the executors, Robert Jamieson, of "Bolac Blains," Woorndoo, in Victoria, grazier, and William Frederick Jamieson, of "Elm Park," Jindera, in New South Wales, grazier, care of Aitken, Walker, and Strachan, 123 William-street, Melbourne, solicitors for the executors, by the 8th day of October, 1946. 7333

**N**OTICE is hereby given that all persons having claims in respect of the property or estate of Emmeline Frances Dehais, late of 52 Clarendon-street, Northcote, in the State of Victoria, married woman, deceased (who died on the 28th day of August, 1944, and letters of administration, with the will annexed, of whose estate were granted by the Supreme Court of Victoria, on the 18th day of July, 1946, to George Alfred Dehais, of Legerwood, in the State of Tasmania, manager, the son and next of kin of the said deceased, Alfred Albert Dehais, the executor appointed by the will of the deceased, having died without having obtained a grant of probate thereof), are required to send particulars of such claims to the said George Alfred Dehais, care of the undersigned, on or before the 10th day of October, 1946, after which date it is the intention of the administrator to convey or distribute such property or estate to or among the persons entitled thereto.

Dated this 31st day of July, 1946.

BRAHAM & PIRANI, Tavistock House, 383 Little Flinders-street, Melbourne. 7317

## NOTICE TO CREDITORS.—JOHN EVANS, DECEASED.

**C**REDITORS, next of kin, and all others having claims against the estate of the under-mentioned person are required to send particulars thereof to James Evans, the administrator of the estate of the under-mentioned John Evans, deceased, care of McNab and Tulloh, solicitors, Kilmore, on or before the 1st day of September, 1946, otherwise they may be excluded when the assets are being distributed:—

Name.—John Evans.  
Usual residence.—Kilmore Diggings.  
Occupation or other description.—Farmer.  
Date of death of deceased.—23rd October, 1945.

Dated the 23rd day of July, 1946.

McNAB & TULLOH, of Kilmore, solicitors for the said administrator. 7250

MARGARET HALLYBURTON, late of Hallora, in the State of Victoria, widow, DECEASED (who died on the 6th day of May, 1944).

**C**REDITORS, next of kin, and all others having claims against the property or estate of above-named deceased are required by the executors Thomas James Hallyburton, of Hallora, in the said State, farmer, and James Aikman, of Drouin, in the said State, flax worker, to send particulars thereof to them, care of the under-mentioned solicitors, on or before the 14th October, 1946, after which date the executors will distribute the property and estate of said deceased, having regard only to the claims of which they shall then have had notice.

GRAY, FRIEND, & MOONIE, solicitors, Warragul. 7251

**C**REDITORS, next of kin, and all others having claims in respect of the estate of Alice Maud McGilvary, late of 259 Union-road, Surrey Hills, spinster, deceased (who died on the 30th day of January, 1946, and probate of whose will was granted by the Supreme Court of Victoria, on the 18th day of March, 1946, to John Harold McCracken and Hervey Perceval Smith, the executors appointed by the said will), are hereby required to send particulars, in writing, of such claims to the said executors, care of the under-mentioned solicitors, on or before the 10th day of October, 1946, after which date the said executors will proceed to distribute the assets of the said deceased amongst the persons entitled thereto, having regard only to the claims of which they then have notice.

Dated this 30th day of July, 1946.

MCCRACKEN & MCCRACKEN, solicitors, 317 Collins-street, Melbourne. 7252

**C**REDITORS, next of kin, and all others having claims in respect of the estate of Kate Russell Varley, late of Olinda, widow, deceased (who died on the 18th day of March, 1946, and probate of whose will was granted by the Supreme Court of Victoria, on the 15th day of May, 1946, to Kathleen Russell Varley, the executrix appointed by the deceased's will), are required to send particulars, in writing, of such claims to the said executrix, care of the under-mentioned solicitors, on or before the 10th day of October, 1946, after which date the said executrix will proceed to distribute the assets of the said deceased amongst the persons entitled thereto, having regard only to the claims of which she then has notice.

Dated this 30th day of July, 1946.

MCCRACKEN & MCCRACKEN, solicitors, 317 Collins-street, Melbourne, C.1. 7253

**C**REDITORS, next of kin, and all others having claims in respect of the estate of Amelia Emily Brokenshire, late of 37 Florence-road, Surrey Hills, widow, deceased (who died on the 1st day of September, 1945, and probate of whose will was granted by the Supreme Court of Victoria, on the 26th day of June, 1946, to Hervey Perceval Smith, the executor appointed by the deceased's will), are required to send particulars, in writing, of such claims to the said executors, care of the under-mentioned solicitors, on or before the 10th day of October, 1946, after which date the said executors will proceed to distribute the assets of the said deceased amongst the persons entitled thereto, having regard only to the claims of which they then have notice.

Dated this 30th day of July, 1946.

MCCRACKEN & MCCRACKEN, solicitors, 317 Collins-street, Melbourne. 7254

**C**REDITORS, next of kin, and others having claims in respect of the estate of Charles Robertson, late of Avoca, apiarist, deceased (who died on the 13th day of February, 1946), are to send the particulars of their claims to The Trustees, Executors, and Agency Company Limited, of number 401 Collins-street, Melbourne, Margaret Jane Robertson, of Avoca, widow, and Harry Lloyd Bathurst, of Maryborough, solicitor, care of the said company, by the 21st day of October, 1946, after which date they will distribute the assets, having regard only to the claims of which they then have notice.

HERRING & BATHURST, Maryborough, solicitors. 7258

NOTICE TO CREDITORS.—*RE* ALBERT BUGLER,  
DECEASED.

PURSUANT to the *Trustee Act 1928*, notice is hereby given that all persons having claims against the estate of Albert Bugler, late of 1 Inverleith-street, St. Kilda, in the State of Victoria, gentleman, deceased (who died on the 11th day of September, 1945, intestate, and letters of administration of whose estate were, on the 18th day of July, 1946, granted by the Supreme Court of Victoria to Geoffrey Urie Nathan, of 450 Collins-street, Melbourne, in the State of Victoria, solicitor, the attorney under power of Helen Dorothy Bugler, spinster, a niece and one of the next of kin of the said deceased, for the use and benefit of the said Helen Dorothy Bugler limited, until she shall apply for and obtain a grant of letters of administration), are hereby required to send particulars, in writing, of such claims to the said Geoffrey Urie Nathan, at his said address, on or before the 15th day of October, 1946, and notice is hereby given that after that date the said Geoffrey Urie Nathan will proceed to distribute the assets of the said Albert Bugler, deceased, which shall have come to his hands or possession amongst the persons entitled thereto, having regard only to the claims of which he the said Geoffrey Urie Nathan shall then have had notice. And the said Geoffrey Urie Nathan will not be liable to any person of whose claim he shall not then have had notice for the assets, or any part then so distributed.

Dated this 30th day of July, 1946.

JOHN W. McCOMAS & CO., 450 Collins-street, Melbourne,  
solicitors for the administrator. 7307.

CREDITORS, next of kin, and all others having claims in respect of the estate of Margaret Ann Beckingham, late of 28 Moorhouse-street, Camberwell, widow, deceased (who died on the 5th day of April, 1946, and probate of whose will was granted by the Supreme Court of Victoria, on the 21st day of June, 1946, to Elizabeth Crymble Beckingham, the executrix appointed by the deceased's will), are required to send particulars, in writing, of such claims to the said executrix, care of the under-mentioned solicitors, on or before the 10th day of October, 1946, after which date the said executrix will proceed to distribute the assets of the said deceased amongst the persons entitled thereto, having regard only to the claims of which she then has notice.

Dated this 30th day of July, 1946.

MCCRACKEN & MCCRACKEN, solicitors, 317 Collins-street,  
Melbourne, C.I. 7255.

TRUSTEE COMPANIES ACT 1944.

CREDITORS, next of kin, and others having claims in respect of the estate of Agnes Jessie Foster, late of No. 3 Darling-road, East Malvern, in the State of Victoria, married woman, deceased (who died on the 1st day of March, 1946), are to send particulars of their claims to The Union Trustee Company of Australia Limited, of 333 Collins-street, Melbourne, in the said State, by the 15th day of October, 1946, after which it will distribute the assets, having regard only to the claims of which it then has notice.

Dated this 2nd day of August, 1946.

HODGSON & FINLAYSON, 360 Collins-street, Melbourne,  
solicitors for the above-named company. 7334.

*RE* KEITH CHISHOLM ROSS, DECEASED.

NOTICE is hereby given that all persons having claims against the property or estate of Keith Chisholm Ross, late of Ryrie-street, Geelong, medical practitioner, deceased (who died on the 3rd day of February, 1946, and probate of whose will was granted to Ramsay Burns Cook, of 51 Yarra-street, Geelong, solicitor, and Eileen Hope Ross, of Eastern Reach, Geelong, widow), are hereby required to send, in writing, particulars of such claims to the said Ramsay Burns Cook and Eileen Hope Ross, in the care of the under-mentioned solicitors, on or before the 7th day of October, 1946, after which date they will convey or distribute such property or estate to or among the persons entitled thereto, having regard only to the claims of which they shall then have had notice.

HARWOOD & PINCOTT, 51 Yarra-street, Geelong, solicitors  
for the said executors. 7257.

CREDITORS, next of kin, and others having claims in respect of the estate of John Joseph Lynch, formerly of 8 Broad Arrow-road, Kalgoorlie, in the State of Western Australia, investor, late No. WX6317, a corporal of the 2/6th Australian Field Park Company, of the Second Australian Imperial Forces, soldier, deceased (who died on the 20th day of June, 1945), are to send particulars of their claims to The Trustees, Executors, and Agency Company Limited, registered office of which is situate at 401 Collins-street, Melbourne, by the 11th day of October, 1946, after which date it will distribute the assets, having regard only to the claims of which it then has notice.

DAVIS, COOKE, & CUSSEN, solicitors, 422 Collins-street,  
Melbourne. 7310.

IRWIN STEWART GILLESPIE (in the will called Erwin Stuart Gillespie), of Rockbank, farmer, DECEASED.

CREDITORS, next of kin, and all other persons having claims against the estate of the deceased are required by the executor of the will, Roy Irvine Gillespie, of 62 Rae-street, Shepparton, wood merchant, to send particulars to him, care of the undersigned, on or before the 9th October, 1946, after which date he will distribute the assets, having regard only to the claims of which he then has notice.

WISEWOULD & DUNCAN, solicitors, 408 Collins-street,  
Melbourne. 7312.

EMILY ADLAM, formerly of 44 Henry-street, Abbotsford, but late of "Loyola," Church-street, Richmond, widow, DECEASED.

CREDITORS, next of kin, and all other persons having claims against the estate of the deceased are required by the executrix of the will, Florence Ward, of 406 Toorak-road, Burwood, married woman, to send particulars to her, care of the undersigned, on or before the 9th October, 1946, after which date she will distribute the assets, having regard only to the claims of which she then has notice.

WISEWOULD & DUNCAN, solicitors, 408 Collins-street,  
Melbourne. 7313.

ARTHUR THOMAS EREAUT, late of 34 Dunoon-street,  
Murrumbena, retired, DECEASED.

CREDITORS, next of kin, and all other persons having claims against the estate of the deceased are required by the executrices of the will, Ada Elizabeth Ereaut and Eva Alexandra Ereaut, both of 34 Dunoon-street, Murrumbena, spinsters, to send particulars to them, care of the undersigned, on or before the 9th October, 1946, after which date they will distribute the assets, having regard only to the claims of which they then have notice.

WISEWOULD & DUNCAN, solicitors, 408 Collins-street,  
Melbourne. 7314.

HENRY HARDIE KEMP, late of "Heald Lawn," 5 Adeney-  
avenue, Kew, retired architect, DECEASED.

CREDITORS, next of kin, and all other persons having claims against the estate of the deceased are required by the executors of the will, Mary Grace Kemp and Flora Harrison Kemp, both of 5 Adeney-avenue, Kew, spinsters, and The Union Trustee Company of Australia Limited, of 333 Collins-street, Melbourne, to send particulars to them, care of the undersigned, on or before the 9th October, 1946, after which date they will distribute the assets, having regard only to the claims of which they then have notice.

WISEWOULD & DUNCAN, solicitors, 408 Collins-street,  
Melbourne. 7315.

CREDITORS, next of kin, and others having claims in respect of the estate of Mary Teresa O'Brien, also known as Mary O'Brien, late of 32 Stanhope-street, Malvern, spinster, deceased (who died on the 16th day of April, 1946), are to send the particulars of their claims to National Trustees, Executors, and Agency Company of Australasia Limited, whose registered office is situated at 95 Queen-street, Melbourne, by the 8th day of October, 1946, after which date it will distribute the assets, having regard only to the claims of which it then has notice.

W. B. & O. McCUTCHEON, solicitors, 31 Queen-street,  
Melbourne. 7320.

CREDITORS, next of kin, and others having claims in respect of the estate of Herbert Curry Taylor, formerly of 478, but late of 492 St. Kilda-road, Melbourne, retired grain merchant, deceased (who died on the 8th day of April, 1946), are to send the particulars of their claims to The Trustees, Executors, and Agency Company Limited, 401 Collins-street, Melbourne, by the 12th day of October, 1946, after which date it will distribute the assets, having regard only to the claims of which it then has notice.

SHAW & TURNER, 94-98 Queen-street, Melbourne,  
solicitors. 7283.

CREDITORS, next of kin, and all other persons having claims in respect of the estate of Charles Arnold Reynolds, late of Johnstone-street, Maffra, master baker, deceased intestate (who died on the 31st day of May, 1946), are required to send particulars of their claims to The Equity Trustees, Executors, and Agency Company Limited, of 472 Bourke-street, Melbourne (to whom letters of administration of the said estate were on the 24th day of July, 1946, granted by the Supreme Court of Victoria), on or before the 31st day of October, 1946, after which date the said administrator will proceed to distribute the assets of the said deceased amongst the persons entitled thereto, having regard only to the claims of which it then has notice.

Dated the 1st day of August, 1946.

C. L. BARBOUR, solicitor, 89 Queen-street, Melbourne. 7291.

**RE ANDREW FORTHERGILL McLEOD, DECEASED.**

PURSUANT to the *Trustee Act 1928*, notice is hereby given that all creditors, next of kin, and other persons having claims against the estate of Andrew Forthergill McLeod, late of Young-street, Nagambie, in the State of Victoria, firewood sawmiller, deceased (who died on the 7th day of April, 1946, and probate of whose will was granted by the Supreme Court of the said State, on the 27th day of June, 1946, to Graham Eric McLeod, of Young-street, Nagambie, labourer), are hereby required to send particulars of such claims to the said executor, in care of the undersigned, at his address hereunder set out, on or before the 8th day of October, 1946, after which date the said executor will proceed to distribute the assets of the said deceased amongst the persons entitled thereto, having regard only to the claims of which he shall then have had notice.

W. J. OSBORNE, LL.B., solicitor, Station-street, Seymour.  
7282

CREDITORS, next of kin, and others having claims in respect of the estate of Jane Mary Anne Kirk (also known as Jean Kirk), late of 28 Walsh-street, South Yarra, in the State of Victoria, spinster, deceased (who died on the 21st day of April, 1946, and probate of whose will was granted by the Supreme Court of Victoria, on the 24th day of July, 1946, to The Union Trustee Company of Australia Limited, of 333 Collins-street, Melbourne, the executor named in the said will), are to send particulars of their claims to the said The Union Trustee Company of Australia Limited, at the address above-mentioned, by the 9th day of October, 1946, after which date it will distribute the assets, having regard only to the claims of which it then has notice.

Dated this 6th day of August, 1946.

BLAKE & RIGGALL, 120 William-street, Melbourne.  
solicitors for the said company. 7290

CREDITORS, next of kin, and all others having claims against the estate of Edith Hudson, late of Traynor's Lagoon, spinster, deceased, intestate (who died on the 21st December, 1926), are required to send particulars thereof to William Taylor Hudson, her administrator d.b.n. of the unadministered estate, care of the undersigned, on or before the 14th day of October, 1946, otherwise they may be excluded when the assets are being distributed.

WILLIAM MITCHELL, solicitor, St. Arnaud. 7259

**MINING NOTICES.****NORTH NELL GWYNNE GOLD MINES, NO LIABILITY.**

NOTICE is hereby given that a Call (the 71st) of Three pence per share has been made on all shares in the company, numbered 1 to 60,000 (making such shares paid up to 26s. 9d. each), due and payable at the registered office of the company, 40 Queen-street, Melbourne, on Wednesday, the 14th August, 1946.

By order of the Board,  
F. H. TADGELL, Manager.

Dickenson and Tadjell, chartered accountants (Aust.), 46 Queen-street, Melbourne, C.I. 7299

**AJAX SOUTH GOLD MINE NO LIABILITY.**

NOTICE is hereby given that a Call (the 14th) of Three pence per share (making shares 4s. 6d. paid up) has been made upon the capital of the company, due and payable at the registered office of the company, 430 Little Collins-street, Melbourne, on Wednesday, the 14th day of August, 1946.

By order of the Board,  
A. E. LLEWELLYN, Manager.

7303

**CHEWTON GOLD MINES NO LIABILITY.**

NOTICE is hereby given that a Call (the 56th) of Three pence per share (making shares 16s. paid up) has been made upon the capital of the company, due and payable at the registered office of the company, 430 Little Collins-street, Melbourne, on Wednesday, the 14th day of August, 1946.

By order of the Board,  
A. E. LLEWELLYN, Manager.

7304

**SOUTH VIRGINIA GOLD MINING COMPANY  
NO LIABILITY.**

NOTICE is hereby given that a Call (the 16th) of Six pence per share, has been made upon all the shares in the company, due and payable to the manager, at the registered office, 140 Queen-street, Melbourne, on Wednesday, 14th August, 1946.

7284

F. L. SMYTH, Manager.

**MAXWELL WEST GOLD MINE NO LIABILITY.**

NOTICE is hereby given that a Call (the 10th) of Three pence per share has been made upon all the contributing shares in the company, due and payable to the manager, at the registered office, 140 Queen-street, Melbourne, on Wednesday, 14th August, 1946.

7285

F. L. SMYTH, Manager.

**HERCULES GOLD MINING COMPANY NO LIABILITY.**

A CALL (the 47th) of Six pence per share has been made on the capital of the company (making the shares paid to 13s. 9d. each), due and payable at the company's registered office, 379 Collins-street, Melbourne, on Wednesday, 14th August, 1946.

7286

H. L. STEWART  
(J. G. Stanfield and Stewart), Manager.

**IRONBARK GOLD MINING COMPANY NO LIABILITY.**

A CALL (the 95th) of Three pence per share has been made on the capital of the company (making the shares paid to 24s. 9d. each), due and payable at the company's registered office, 379 Collins-street, Melbourne, on Wednesday, 14th August, 1946.

7287

H. L. STEWART  
(J. G. Stanfield and Stewart), Manager.

**IRONBARK SOUTH GOLD MINING COMPANY NO  
LIABILITY.**

A CALL (the 75th) of Three pence per share has been made on the capital of the company (making the shares paid to 22s. 3d. each), due and payable at the company's registered office, 379 Collins-street, Melbourne, on Wednesday, 14th August, 1946.

7288

H. L. STEWART  
(J. G. Stanfield and Stewart), Manager.

**MAUDE AND YELLOW GIRL GOLD MINING COMPANY  
NO LIABILITY.**

NOTICE is hereby given that a Call (the 3rd) of Two shillings (2s.) per share on the 27,000 shares, numbered 90,001 to 117,000, issued in April, 1945 (making such shares paid to 8s. each), has been made due and payable to the manager, at the registered office of the company, care of Secretariat Pty. Ltd., 360 Collins-street, Melbourne, on Wednesday, 14th August, 1946.

By order of the Board,

R. V. WILSON, Manager.  
360 Collins-street, Melbourne, C.I, 5th August, 1946. 7289

**NEW CHUM SYNCLINE GOLD MINE NO LIABILITY.****CALL NOTICE.**

NOTICE is hereby given that a Call (No. 74) of Three pence per share has been made on the contributing shares of the company, due and payable to me, at the registered office, 422 Collins-street, Melbourne, on Wednesday, 14th August, 1946.

By order of the Board,

FRANK COOPER, Manager.  
422 Collins-street, Melbourne, C.I. 7292

**NEW BUTLER'S TIN MINES NO LIABILITY.****CALL NOTICE.**

NOTICE is hereby given that a Call (No. 9) of Six pence per share on Nos. 1 to 30,000, and Nine pence per share on Nos. 30,001 to 36,000, making all shares paid up to 5s. 9d., has been made, and is due and payable to me, at the registered office, 422 Collins-street, Melbourne, on Wednesday, 14th August, 1946.

By order of the Board,

FRANK COOPER, Manager.  
422 Collins-street, Melbourne, C.I. 7293

**NORTH NELL GWYNNE GOLD MINES NO LIABILITY.****RE FORFEITED SHARES.**

ALL shares upon which 70th (July) Call of Three pence per share remains unpaid are forfeited, and will be sold by public auction at the Stock Exchange, Melbourne, on Thursday, 15th August, 1946, at a quarter to Twelve a.m., unless previously redeemed.

By order of the Board,

F. H. TADGELL, Manager.  
Dickenson and Tadjell, chartered accountants (Aust.), 46 Queen-street, Melbourne, C.I. 7298

**DEBORAH ASSOCIATED. NO LIABILITY.****FORFEITURE NOTICE.**

NOTICE is hereby given that all shares forfeited for non-payment of No. 10 (July) Call of Three pence per share will be sold by public auction, in the vestibule of the Stock Exchange, 428 Chancery-lane, Melbourne, on Thursday, 15th August, 1946, at a quarter to Twelve a.m., unless shares are previously redeemed.

By order of the Board,

FRANK COOPER, Manager.  
422 Collins-street, Melbourne, C.1. 7204

**KALIMNA OIL COMPANY NO LIABILITY.**

NOTICE is hereby given that all shares in default of Call No. 34 of One penny per share are forfeited, and will be sold by public auction, at the vestibule, Stock Exchange, Little Collins-street, Melbourne, on Friday, 23rd August, 1946, at a quarter to Twelve o'clock a.m., unless previously paid.

By order of the Board,

L. B. TOMLINS, Manager.  
Melbourne, 7th August, 1946. 7205

**AUSTRALIAN OIL DEVELOPMENT NO LIABILITY.**

NOTICE is hereby given that all shares in default of Call No. 9 of One penny per share are forfeited, and will be sold by public auction, at the vestibule, Stock Exchange, Little Collins-street, Melbourne, on Friday, 23rd August, 1946, at a quarter to Twelve o'clock a.m., unless previously paid.

By order of the Board,

L. B. TOMLINS, Manager.  
Melbourne, 7th August, 1946. 7206

**ROMA BLOCKS OIL COMPANY NO LIABILITY.**

NOTICE is hereby given that all shares in default of Call No. 51 of Two pence per share are forfeited, and will be sold by public auction, at the vestibule, Stock Exchange, Little Collins-street, Melbourne, on Friday, 23rd August, 1946, at a quarter to Twelve o'clock a.m., unless previously paid.

By order of the Board,

L. B. TOMLINS, Manager.  
Melbourne, 7th August, 1946. 7207

**EAST CLARENCE GOLD MINING COMPANY  
NO LIABILITY.**

NOTICE.—All shares in the above-named company (included in Nos. 1 to 50,000) on which the 48th Call of Six pence per share remains unpaid are forfeited, and will be sold by public auction at the Stock Exchange, Bendigo, on Thursday, the 15th August, 1946, at Four o'clock p.m., unless previously redeemed, as prescribed by the *Companies Act 1938*.

J. J. STANISTREET

7261 (McColl, Rankin, and Stanistreet), Manager.

**SOUTH DEBORAH GOLD MINES NO LIABILITY.**

NOTICE.—All shares in the above-named company (included in Nos. 1 to 60,000) on which the 19th Call of Six pence per share remains unpaid are forfeited, and will be sold by public auction, at the Stock Exchange, Bendigo, on Thursday, the 15th August, 1946, at Four o'clock p.m., unless previously redeemed, as prescribed by the *Companies Act 1938*.

J. J. STANISTREET

7262 (McColl; Rankin, and Stanistreet), Manager.

**IMPOUNDINGS.**

**BOX HILL.**—Impounded at Box Hill, by M. Sharman.

1 grey mare, lame, no visible brand, bridle on

If not claimed and expenses paid, to be sold on 15th August, 1946.

H. J. BARRETT,  
7256—4/ Poundkeeper.

**COBURG.**—Impounded at Coburg.

1 bay delivery gelding, small white star, black points, shod, no visible brand

If not claimed and expenses paid, to be sold on 21st August, 1946.

E. S. McNABB,  
7336—4/8 Poundkeeper.

**CRANBOURNE.**—Impounded at Cranbourne, by Ranger, from Cranbourne-Frankston roads.

1 dun-coloured shetland pony gelding, 2 years, black points, black strip along back, no visible brand

If not claimed and expenses paid, to be sold on 22nd August, 1946.

F. H. CLARK,  
7277—5/4 Poundkeeper.

**DANDENONG.**—Impounded at Dandenong.

1 yellow Jersey or Guernsey cross store cow, notch out of near ear, no visible brand

If not claimed and expenses paid, to be sold on 22nd August, 1946.

T. ROOKES,  
7278—4/8 Poundkeeper.

**ECHUCA.**—Impounded at Echuca.

1 nobby Jersey cow, M near-rump

If not claimed and expenses paid, to be sold on 14th August, 1946.

G. J. NEWMAN,  
7267—4/ Poundkeeper.

**ELTHAM.**—Impounded in Eltham Pound, by Ranger.

1 small black cow, broken horn, no visible brand

If not claimed and expenses paid, to be sold on 14th August, 1946.

W. J. WALSH,  
7337—4/ Poundkeeper.

**KYABRAM.**—Impounded at Kyabram.

1 white bull calf, 6 to 9 months, no visible brand

1 white heifer calf, 6 to 9 months, no visible brand

1 red and brindle poll heifer, 6 to 9 months, no visible brand

1 roan heifer, 6 to 9 months, no visible brand

1 Jersey heifer, star, 6 to 9 months, no visible brand

If not claimed and expenses paid, to be sold on 15th August, 1946.

S. ANDERSON,  
7264—0/8 Poundkeeper.

**MULGRAVE.**—Impounded at Mulgrave.

1 dark-brown or black gelding, delivery sort, blazed face, no visible brand

If not claimed and expenses paid, to be sold on 15th August, 1946.

R. LAMBERTON,  
7335—4/8 Poundkeeper.

**ORBOST.**—Impounded in Orbost Pound.

1 yellow bay horse, no visible brand

1 brown horse, no visible brand

1 baldy bullock, wineglass over B (sideways) on near rump

If not claimed and expenses paid, to be sold after fourteen days.

H. DOMINEY,  
7263—5/4 Poundkeeper.

**TATURA.**—Impounded at Tatura.

6 Jersey heifer calves, no visible brand

1 yellow heifer calf, no visible brand

If not claimed and expenses paid, to be sold on 29th August, 1946.

L. THORNTON,  
7276—4/8 Poundkeeper.

**TERANG.**—Impounded at Terang, from Darlington, Terang-road.

1 dark-bay draught mare, white hind feet, blaze down face

1 bay pony mare, about 13 hands, streak down face

If not claimed and expenses paid, to be sold on 26th August, 1946.

DORIS M. KIDD,  
7260—5/4 Poundkeeper.

**WODONGA.**—Impounded at Wodonga, on 30th July, 1946.

1 red haldy cow, slight touch of brindle, snaily horns, no visible brand

If not claimed and expenses paid, to be sold on 31st August, 1946.

THOMAS ARDERN,  
7273—4/8 Poundkeeper.

**YARRAM.**—Impounded at Yarram, by Shire Herdsman, from Jack River, on 27th July, 1946.  
1 black poll steer, slice off bottom of off ear, 7 out of bottom of near ear, like W off rump  
If not claimed and expenses paid, to be sold on 16th August, 1946.

7268—5/4

JAS. MITCHELL,  
Poundkeeper.

**YARRAWONGA.**—Impounding, *Gazette* No. 145, page 2406, date of sale advertised 10th October, 1946, should be 15th August, 1946.  
7266—2/8

F. N. E. JENKINS, Poundkeeper.

**STATE ACTS, 1944.**

COPIES of the following Acts of Parliament of Victoria may be obtained at the Government Printing Office, or from any bookseller, at the price set opposite to each:—

| No.   | Price.<br>s. d. |
|---|-----------------|
| 4999. Consolidated Revenue .. .. .                                      | 0 6             |
| 5000. Local Government (Polling Booths) .. .. .                         | 0 6             |
| 5001. Police Offences (Unlawful Games) .. .. .                          | 0 6             |
| 5002. Hospitals and Charities .. .. .                                   | 0 6             |
| 5003. Water (Loddon) .. .. .  | 0 6             |
| 5004. Justices .. .. .  | 0 6             |
| 5005. Coal Mines Regulation (Amendment) .. .. .                         | 0 6             |
| 5006. Consolidated Revenue .. .. .                                      | 0 6             |
| 5007. Melbourne and Metropolitan Board of Works (Contributions) .. .. . | 0 6             |
| 5008. Marketing of Primary Products .. .. .                             | 0 6             |
| 5009. National Security (Emergency Powers) Continuation .. .. .         | 0 6             |
| 5010. Outer Circle Railway (Partial Dismantling) .. .. .                | 0 6             |
| 5011. Mines (Minerals) .. .. .  | 0 6             |
| 5012. Goods (Textile Products) .. .. .                                  | 0 6             |
| 5013. Masseurs .. .. .  | 0 6             |
| 5014. Electoral (War Service Deaths) .. .. .                            | 0 6             |
| 5015. Cremorne Bridge .. .. .   | 0 6             |
| 5016. Melbourne Harbor Trust .. .. .                                    | 0 6             |
| 5017. Water .. .. .   | 0 9             |
| 5018. Consolidated Revenue .. .. .                                      | 0 6             |
| 5019. Mildura Irrigation and Water Trusts .. .. .                       | 0 6             |
| 5020. Farm Water Supplies Advances .. .. .                              | 0 6             |
| 5021. Sewerage Districts .. .. .  | 0 6             |
| 5022. Trustee Companies .. .. .   | 0 6             |
| 5023. Mildura Irrigation and Water Trusts (Superannuation) .. .. .      | 0 6             |
| 5024. Consolidated Revenue .. .. .                                      | 0 6             |
| 5025. Cemeteries .. .. .  | 0 6             |
| 5026. Border Railways .. .. .   | 0 6             |
| 5027. Local Government (Shire of Blackburn and Mitcham) .. .. .         | 0 6             |
| 5028. Electoral Districts .. .. .                                       | 0 3             |
| 5029. Land .. .. .  | 0 6             |
| 5030. Land Tax .. .. .  | 0 6             |
| 5031. Administration and Probate Duties .. .. .                         | 0 6             |
| 5032. Stock Foods (Amendment) .. .. .                                   | 0 6             |
| 5033. Stamps (Increased Duty Continuance) .. .. .                       | 0 6             |
| 5034. Maribyrnong and Ashburton Lands Exchange .. .. .                  | 0 6             |
| 5035. Financial Emergency (Grants and Funds) .. .. .                    | 0 6             |
| 5036. Farmers Advances .. .. .  | 0 6             |
| 5037. Land Settlement (Acquisition) Amendment .. .. .                   | 0 6             |
| 5038. Railways .. .. .  | 0 6             |
| 5039. Farmers Protection (Amendment) .. .. .                            | 0 6             |
| 5040. Country Fire Authority .. .. .                                    | 1 9             |
| 5041. Country Roads Board Fund .. .. .                                  | 0 6             |
| 5042. Railway Loan and Application .. .. .                              | 0 6             |
| 5043. Town and Country Planning .. .. .                                 | 1 0             |
| 5044. Agricultural Colleges .. .. .                                     | 0 9             |
| 5045. Heatherton Sanatorium .. .. .                                     | 0 6             |
| 5046. Health (Infectious Diseases Hospitals) .. .. .                    | 0 6             |
| 5047. Surplus Revenue .. .. .   | 0 6             |
| 5048. Water Supply Loans Application .. .. .                            | 0 9             |

**STATE ACTS, 1944—continued.**

| No.   | Price.<br>s. d. |
|---|-----------------|
| 5049. State Forests Loan and Application .. .. .          | 0 6             |
| 5050. Public Works Loan and Application .. .. .           | 0 6             |
| 5051. Commonwealth and States Financial Agreement .. .. . | 1 3             |
| 5052. The Constitution Act Amendment .. .. .              | 0 6             |
| 5053. Public Library National Gallery and Museums .. .. . | 0 9             |
| 5054. Drought Relief .. .. .                              | 0 6             |
| 5055. Co-operative Housing Societies .. .. .              | 1 6             |
| 5056. Local Government .. .. .                            | 1 0             |
| 5057. Melbourne and Metropolitan Board of Works .. .. .   | 0 9             |
| 5058. Appropriation of Revenue .. .. .                    | 3 9             |

J. J. GOURLEY,  
Government Printer.

**STATE ACTS, 1945.**

COPIES of the following Acts of Parliament of Victoria may be obtained at the Government Printing Office, or from any bookseller, at the price set opposite to each:—

| No.  | Price.<br>s. d. |
|--|-----------------|
| 5059. Mildura Irrigation and Water Trusts (Borrowing) .. .. .              | 0 6             |
| 5060. Supreme Court (Judges) .. .. .                                       | 0 6             |
| 5061. Oakleigh (Regent-street) Land .. .. .                                | 0 6             |
| 5062. Swine .. .. .  | 0 6             |
| 5063. Drought Relief (Amendment) .. .. .                                   | 0 6             |
| 5064. Unclaimed Moneys .. .. .   | 0 6             |
| 5065. Consolidated Revenue .. .. .   | 0 6             |
| 5066. Consolidated Revenue .. .. .   | 0 6             |
| 5067. Agent-General's .. .. .  | 0 6             |
| 5068. Land Surveyors (Amendment) .. .. .                                   | 0 6             |
| 5069. State Development .. .. .  | 0 6             |
| 5070. Melbourne and Metropolitan Board of Works (Borrowing Powers) .. .. . | 0 6             |
| 5071. Education .. .. .  | 0 6             |
| 5072. Water .. .. .  | 0 6             |
| 5073. National Security (Repeal) .. .. .                                   | 0 6             |
| 5074. Moorabbin (Unimproved Rating Poll) .. .. .                           | 0 6             |
| 5075. Licensing (Poll) .. .. .   | 0 6             |
| 5076. Lilydale Waterworks Trust Abolition .. .. .                          | 0 6             |
| 5077. East Melbourne Land .. .. .  | 0 6             |
| 5078. Health (Wines) .. .. .   | 0 6             |
| 5079. Local Government (Emergency Housing Accommodation) .. .. .           | 0 6             |
| 5080. Law Institute .. .. .  | 0 6             |
| 5081. Bendigo Land .. .. .   | 0 6             |
| 5082. Consolidated Revenue .. .. .   | 0 6             |
| 5083. Consolidated Revenue .. .. .   | 0 6             |
| 5084. Consolidated Revenue .. .. .   | 0 6             |
| 5085. Factories and Shops (Bread Holidays) .. .. .                         | 0 6             |
| 5086. Administration and Probate Duties .. .. .                            | 0 6             |
| 5087. Land Tax .. .. .   | 0 6             |
| 5088. Stamps (Increased Duty Continuance) .. .. .                          | 0 6             |
| 5089. Licensing Fund .. .. .   | 0 6             |
| 5090. Employers and Employés .. .. .                                       | 0 6             |
| 5091. Farmers Advances .. .. .   | 0 6             |
| 5092. University (Veterinary Research) .. .. .                             | 0 6             |
| 5093. Surplus Revenue .. .. .  | 0 6             |
| 5094. State Forests Loan and Application .. .. .                           | 0 6             |
| 5095. Mines (Amendment) .. .. .  | 0 6             |
| 5096. Farmers Protection (Amendment) .. .. .                               | 0 6             |
| 5097. Railway Loan Application .. .. .                                     | 0 6             |
| 5098. Public Works Loan and Application .. .. .                            | 0 6             |
| 5099. Water Supply Loans Application .. .. .                               | 0 9             |
| 5100. Public Account Advances (Amendment) .. .. .                          | 0 6             |
| 5101. Hospital Benefits .. .. .  | 0 6             |
| 5102. Totalizator (Amendment) .. .. .                                      | 0 6             |
| 5103. Financial Emergency (Municipal Endowment) .. .. .                    | 0 6             |
| 5104. Country Roads Board Fund (Amendment) .. .. .                         | 0 6             |
| 5105. Coal Mines Regulation (Amendment) .. .. .                            | 0 6             |
| 5106. Melbourne and Metropolitan Tramways (Chairman) .. .. .               | 0 6             |
| 5107. Soldier Settlement .. .. .   | 1 3             |

J. J. GOURLEY,  
Government Printer.

AGENTS FOR THE "VICTORIA GOVERNMENT GAZETTE."

THE following have been appointed agents to receive Advertisements and subscriptions for the *Victoria Government Gazette*:—

- ARMSTRONG'S AGENCY, 143 Queen-street, Melbourne.
- MESSRS. ARNALL & JACKSON, 115 Barkly-street, West Brunswick.
- MESSRS. GORDON & GOTCH, News Agents, 511 Little Collins-street, Melbourne; and corner Barrack and Clarence streets, Sydney.
- MESSRS. HARSTON, PARTRIDGE, & CO., 455 Little Collins-street, Melbourne.
- N. V. NIXON & CO., 20 Queen-street, Melbourne.
- THE PATON ADVERTISING SERVICE PTY. LTD.
- ROBERTSON & MULLENS LTD., Elizabeth-street, Melbourne.
- MESSRS. W. H. WADDELL and A. S. RICHARDSON, trading as The Mercantile Exchange, 380 Collins-street, Melbourne.
- MR. A. J. DIGBY, News Agent, Bairnsdale.
- MR. M. R. BADE, Tobacconist, Sturt-street, Ballarat.
- TRIGG'S NEWS AGENCY, Hargreaves-street, Bendigo.
- MR. G. H. K. PAYNE, 4 View Point, Bendigo.
- MR. G. F. LATIMER, News Agent, Casterton.
- MESSRS. HENRY FRANKS & CO., Booksellers and Stationers, Market-square, Geelong.
- MESSRS. SMITH & DUNNON, Hamilton.
- ARMSTRONG BROS., Kyneton.
- MR. WM. DAVIS, Mildura.
- PIKE'S AUTHORIZED NEWS AGENCY, Sale.
- MR. C. T. RUST, News Agent, Wangaratta.
- MR. F. T. McCORMICK, Nunn-street, Benalla.
- F. R. & E. M. COOKE, Bridge-street, Benalla.
- W. GORDON HAMPTON, 243 Mitchell-street, Bendigo.
- R. & A. SMALLMAN, News Agents, Toora.

A copy of the *Gazette* filed at each place for public reference

THE "VICTORIA GOVERNMENT GAZETTE."

**SUBSCRIPTIONS.**—The subscription, including Postage, is £1 12s. 6d. per annum, 16s. 3d. half-yearly, or 8s. 2d. per quarter, payable in advance.

Subscriptions are required to commence and terminate with a month.

A lesser period than three months cannot be subscribed for.

Subscribers do not receive the Acts of Parliament with the GAZETTE.

ADVERTISEMENTS are charged at the rate of EIGHT PENCE per line single column, and ONE SHILLING and FOUR PENCE per line double column.

The title (£5 Reward; Dissolution of Partnership, &c.) forms one or more lines as a heading.

On an average, ten words make a line.

Every signature must likewise be counted as a line.

The final words of a paragraph, though only portion of a line, must be counted as one line.

SIGNATURES (in particular) and proper names must be written very plainly in the text; ONE SIDE ONLY of each slip of paper should be WRITTEN UPON.

ALL COMMUNICATIONS should be addressed to "The Government Printer, Melbourne."

ALL DOCUMENTS illegibly written will be returned unpublished, and, where brands occur unprovided for by the ordinary letters of the alphabet, a worded explanatory description must be furnished.

THE VICTORIA GOVERNMENT GAZETTE is published on WEDNESDAY EVENING in each week, and Notices for insertion will be received by the Government Printer at or before TWO p.m., at ordinary rates, and late advertisements between TWO p.m. and FIVE p.m. at double rates on the day preceding the day of publication.

Single copies of the VICTORIA GOVERNMENT GAZETTE are Six pence, posted Eight pence, each.

No GAZETTES prior to January, 1936, in stock.

\*\*\*ALL PAYMENTS ARE REQUIRED IN ADVANCE.—Remittances should be made by postal note, money order, or draft in favour of the Government Printer. Advertisements unaccompanied by a remittance sufficient to cover the cost of insertion will be returned unpublished.

CONTENTS

|   | PAGE       |
|---|------------|
| Acts of Parliament on sale at the Government Printing Office .. .. .        | 2485       |
| Appointments .. .. .  | 2455       |
| Contracts .. .. .   | 2466       |
| Country Roads Board .. .. .   | 2471       |
| Estates of Deceased Persons .. .. .   | 2467       |
| Government Notices .. .. .  | 2459       |
| Impoundings .. .. .   | 2484       |
| Lands .. .. .   | 2473       |
| Mining .. .. .  | 2466, 2483 |
| Ministers of Religion Registered to Celebrate Marriages in Victoria .. .. . | 2467       |
| Money Lenders Act 1938—Supplementary List .. .. .                           | 2460       |
| Orders in Council .. .. .   | 2468       |
| Private Advertisements .. .. .  | 2477       |
| Public Service Notices .. .. .  | 2456       |
| Resignations .. .. .  | 2456       |
| State Rivers and Water Supply Commission .. .. .                            | 2466       |
| Stay Orders .. .. .   | 2465       |
| Tenders .. .. .   | 2476       |
| Transport Regulation Board—Public Hearings .. .. .                          | 2463       |