



VICTORIA
GOVERNMENT GAZETTE.

Published by Authority.

[Registered at the General Post Office, Melbourne, for transmission by post as a newspaper.]

No. 179]

WEDNESDAY, SEPTEMBER 18.

[1946

Land Act 1928.

AREAS OF LANDS COMPRISED IN CERTAIN CLASSES INCREASED.

PROCLAMATION

By His Excellency the Lieutenant-Governor of the State of Victoria and its Dependencies in the Commonwealth of Australia,
&c., &c., &c.

WHEREAS by the *Land Act 1928* it is amongst other things enacted that the Governor in Council may, by Proclamation to be published in the *Government Gazette*, at any time diminish or increase the area of land comprised in any of the classes mentioned in Part I, Division 1, section 5, of the said *Land Act 1928*, but that the area of lands which may be sold by auction (Class 6) shall not be increased except as in certain cases in the said Act provided: Now therefore I, the Lieutenant-Governor of the State of Victoria, in the Commonwealth of Australia, by and with the advice of the Executive Council of the said State, and in accordance with the provisions of sections 94 and 117 of the *Land Act 1928* aforesaid, do hereby increase the areas of Crown lands comprised in Class 6 of the classes mentioned in section 5 of the *Land Act 1928* aforesaid to the extent set forth in the subjoined Schedule (that is to say):—

Schedule referred to.

CLASSES INCREASED.

County.	Parish.	Allotment.	Area.	Class.	Description.
Talbot	Borough of Daylesford, Parish of Wombat.	Former road ..	A. R. P. 1 1 20	6	Situate between allotment 6, section 3, and Pound Site Reserve. Castlemaine W.63243

Given under my Hand and the Seal of the State of Victoria aforesaid, at Melbourne, this tenth day of September, in the year of our Lord One thousand nine hundred and forty-six, and in the tenth year of the reign of His Majesty King George VI.

(I.S.)

E. F. HERRING.

By His Excellency's Command,

L. W. GALVIN,
Commissioner of Crown Lands and Survey.

GOD SAVE THE KING!

PUBLIC HOLIDAYS.

PROCLAMATION

By His Excellency the Lieutenant-Governor of the State of Victoria and its Dependencies in the Commonwealth of Australia, &c., &c., &c.

IN pursuance of the provisions contained in Part VII. of the *Public Service Act 1928* (19 Geo. V. No. 3757), I, the Lieutenant-Governor of the State of Victoria, in the Commonwealth of Australia, by and with the advice of the Executive Council of the said State, do by this my Proclamation appoint the days and dates hereunder mentioned to be observed as Public Holidays or Public Half-Holidays (as the case may be) at the places respectively specified, viz.:—

Public Holidays:—

- *WEDNESDAY, 25TH SEPTEMBER, 1946, throughout the Shire of Healesville.
- *WEDNESDAY, 2ND OCTOBER, 1946, throughout the Borough of Swan Hill and the North-west Riding of the Shire of Tungamah.
- *THURSDAY, 10TH OCTOBER, 1946, throughout the Shire of Warracknabeal.
- *WEDNESDAY, 23RD OCTOBER, 1946, throughout the Borough of Shepparton and the Shire of Shepparton.
- *WEDNESDAY, 30TH OCTOBER, 1946, throughout the Dookie and South Ridings of the Shire of Shepparton.
- *THURSDAY, 17TH OCTOBER, 1946, throughout the Township of Sea Lake in the Shire of Wycheproof.

Public Half-Holidays from the Hour of Twelve o'clock noon:—

- WEDNESDAY, 16TH OCTOBER, 1946, throughout the Borough of Wangaratta.
- WEDNESDAY, 13TH NOVEMBER, 1946, throughout the Shire of Newham and Woodend.

* Agricultural Show.

Given under my Hand and the Seal of the State of Victoria aforesaid, at Melbourne, this seventeenth day of September, in the year of our Lord One thousand nine hundred and forty-six, and in the tenth year of the reign of His Majesty King George VI.

(L.S.)

E. F. HERRING.

By His Excellency's Command,

W. SLATER,
Chief Secretary.

GOD SAVE THE KING!

BANK HOLIDAYS.

PROCLAMATION

By His Excellency the Lieutenant-Governor of the State of Victoria and its Dependencies in the Commonwealth of Australia, &c., &c., &c.

IN pursuance of the provisions contained in Part III. of the *Banks and Currency Act 1928*, I, the Lieutenant-Governor of the State of Victoria, in the Commonwealth of Australia, do by this my Proclamation appoint the days and dates named hereunder special days to be observed as Bank Holidays or Bank Half-Holidays (as the case may be) at the places respectively mentioned, that is to say:—

Bank Holidays:—

- WEDNESDAY, 25TH SEPTEMBER, 1946, at Healesville.
- MONDAY, 7TH OCTOBER, 1946, at Hopetoun.
- WEDNESDAY, 23RD OCTOBER, 1946, at Shepparton and Mooroopna.
- SATURDAY, 26TH OCTOBER, 1946, at Castlemaine.
- TUESDAY, 5TH NOVEMBER, 1946, Cup Day, throughout the Cities of Box Hill, Brighton, Brunswick, Camberwell, Caulfield, Chelsea, Coburg, Collingwood, Essendon, Fitzroy, Footscray, Hawthorn, Heidelberg, Kew, Malvern, Melbourne, Moorabbin, Mordialloc, Northcote, Nunawading, Oakleigh, Port Melbourne, Prahran, Preston, Richmond, St. Kilda, Sandringham, South Melbourne, and Williamstown; the Borough of Ringwood; and the Shires of Bacchus Marsh, Berwick, Braybrook, Broadmeadows, Bulla, Cranbourne, Dandenong, Doncaster and Templestowe, Eltham, Ferntree Gully, Frankston and Hastings, Gisborne, Keilor, Lillydale, Melton, Mornington, Mulgrave, Romsey, Werribee, and Whittlesea.

Bank Half-Holidays from the Hour of Twelve o'clock noon:—

- WEDNESDAY, 16TH OCTOBER, 1946, at Birchip.
- TUESDAY, 24TH SEPTEMBER, 1946, at Pyramid Hill.
- WEDNESDAY, 2ND OCTOBER, 1946, at Swan Hill.
- THURSDAY, 3RD OCTOBER, 1946, at Horsham.
- TUESDAY, 15TH OCTOBER, 1946, at Rainbow.
- TUESDAY, 22ND OCTOBER, 1946, at Rupanyup.

Given under my Hand and the Seal of the State of Victoria aforesaid, at Melbourne, this seventeenth day of September, in the year of our Lord One thousand nine hundred and forty-six, and in the tenth year of the reign of His Majesty King George VI.

(L.S.)

E. F. HERRING.

By His Excellency's Command,

W. SLATER,
Chief Secretary.

GOD SAVE THE KING!

Banks and Currency Act 1928.

ALTERATION OF DAY APPOINTED FOR BANK HOLIDAY (LABOUR DAY).

PROCLAMATION

By His Excellency the Lieutenant-Governor of the State of Victoria and its Dependencies in the Commonwealth of Australia, &c., &c., &c.

IN pursuance of the provisions contained in Part III. of the *Banks and Currency Act 1928*, I, the Lieutenant-Governor of the State of Victoria, in the Commonwealth of Australia, do by this my Proclamation declare that Monday, the twenty-first day of April, 1947 (a day by section 13 of the said Act appointed for a bank holiday throughout the said State), shall not be a bank holiday throughout Victoria, and appoint Monday, the tenth day of March, 1947, to be a bank holiday throughout the said State.

Given under my Hand and the Seal of the State of Victoria aforesaid, at Melbourne, this seventeenth day of September, in the year of our Lord One thousand nine hundred and forty-six, and in the tenth year of the reign of His Majesty King George VI.

(L.S.)

E. F. HERRING.

By His Excellency's Command,

W. SLATER,
Chief Secretary.

GOD SAVE THE KING!

HOLIDAY—ROYAL AGRICULTURAL SHOW DAY.

NOTICE is hereby given that on—

THURSDAY, THE 26TH SEPTEMBER, 1946,

the Public Offices in the municipalities mentioned hereunder will be closed, that day being appointed by the Public Service Acts to be observed as a Holiday in the Public Offices:—

Bacchus Marsh, Berwick, Box Hill, Braybrook, Brighton, Broadmeadows, Brunswick, Bulla, Camberwell, Caulfield, Chelsea, Coburg, Collingwood, Cranbourne, Dandenong, Doncaster and Templestowe, Eltham, Essendon, Ferntree Gully, Fitzroy, Footscray, Frankston and Hastings, Gisborne, Hawthorn, Heidelberg, Keilor, Kew, Lillydale, Malvern, Melbourne, Melton, Moorabbin, Mordialloc, Mornington, Mulgrave, Northcote, Nunawading, Oakleigh, Port Melbourne, Prahran, Preston, Richmond, Ringwood, Romsey, Sandringham, St. Kilda, South Melbourne, Werribee, Whittlesea, and Williamstown.

W. SLATER,

Chief Secretary.

Chief Secretary's Office,

Melbourne, 10th September, 1946.

APPOINTMENTS.

HIS Excellency the Lieutenant-Governor of the State of Victoria, by and with the advice of the Executive Council thereof, has, by Orders made on the 10th day of September, 1946, been pleased to make the following appointments, viz.:

DEPARTMENT OF CHIEF SECRETARY.

Superintendent (Acting) of Reformatory Prison.

ALBERT AUSTIN SPALL

to be Superintendent (acting) of the Castlemaine Reformatory Prison, as from and inclusive of the 27th August, 1946, during the absence on leave of James Edwards.

Superintendent (Acting) of Reformatory School.

ERNEST READ,

pursuant to the provisions of section 334 of the *Crimes Act 1928*, to be Superintendent (acting) of the Reformatory School for Boys, Royal Park, from the 9th October, 1946, to the 10th November, 1946, inclusive, during the absence on leave of Mary Allison Ingram (Dr.).

Matron (Acting) of Reformatory School.

FLORENCE ANNIE BBIARIS.

pursuant to the provisions of section 334 of the *Crimes Act 1928*, to be Matron (acting) of the Reformatory School for Girls, Royal Park, from the 9th October, 1946, to the 10th November, 1946, inclusive, during the absence on leave of Mary Allison Ingram (Dr.).

Trustees of Exhibition Buildings.

The Right Honorable the Lord Mayor of Melbourne, Councillor FRANCIS RAYMOND CONNELLY.

pursuant to the provisions of section 8 of the *Exhibitions Act 1890*, to be a Trustee for the purposes of the said Act, for the period from the 1st September, 1946, to the 31st August, 1947, inclusive; and

Councillor JAMES WRIGHT FERGUSON,

pursuant to the provisions of section 8 of the *Exhibitions Act 1890*, to be a Trustee for the purposes of the said Act, for the period from the 2nd September, 1946, to the 27th August, 1947, inclusive.

Registrars of Births and Deaths.

JOSEPH HOBACE BYHAM,

pursuant to the provisions of section 4 of the *Registration of Births Deaths and Marriages Act 1928*, to be Registrar of Births and Deaths at Koo-wee-rup, to date from commencement of duty, vice Clarence Stuart McLeod, resigned; and

ERNEST BAXTER,

pursuant to the provisions of section 4 of the *Registration of Births Deaths and Marriages Act 1928*, to be Registrar of Births and Deaths at Hopetoun, to date from commencement of duty, vice Louisa Snell, resigned.

Assistants to the Inspector of Fisheries.

GORDON CAWOOD,

ALBERT HENRY CAWOOD, and

ALFRED FRANCIS HOFFMAN,

pursuant to the provisions of the Fisheries Acts, to be Assistants to the Inspector of Fisheries.

Assistants (Male), Motor Registration Branch.

ARTHUR HAROLD CLARK,

HENRY CAMERON NICOL,

ROY GEORGE RILEY, and

JOSEPH WILLIAM STODDART

to be Assistants (Male), General Division, Motor Registration Branch, Office of the Chief Commissioner of Police; vacancies having occurred, and the Public Service Board having certified, on the 15th August, 1946, that appointments are required, that there are no persons available and fit in the Public Service to be promoted or transferred to fill the vacant offices, and that the persons named are entitled, under the provisions of the *Public Service Act 1928*, to be appointed to fill such vacancies on probation for six months, to date from and inclusive of the 5th November, 1945.

Attendant, National Gallery.

LUKE THOMAS SHEEHAN

to be an Attendant, General Division, National Gallery Branch; a vacancy having occurred, and the Public Service Board having certified, on the 30th July, 1946, that an appointment is required, that there is no person available and fit in the Public Service to be promoted or transferred to fill the vacant office, and that the person named is entitled, under the provisions of the *Public Service Act 1928*, to be appointed to fill such vacancy on probation for six (6) months.

Warder (Female), Penal and Gaols Branch.

NELLIE McCORMACK

to be a Warder, Grade III. (Female), General Division, Penal and Gaols Branch; a vacancy having occurred, and the Public Service Board having certified, on the 10th August, 1946, that an appointment is required, that there is no person available and fit in the Public Service to be promoted or transferred to fill the vacant office, and that the person named is entitled, under the provisions of the *Public Service Act 1928*, to be appointed to fill such vacancy on probation for twelve months, from and inclusive of the 15th July, 1946.

DEPARTMENT OF HEALTH.

Trustees of Cemeteries.

ALBERT EDWARD OATES

to be a Trustee, Barnawartha Public Cemetery, vice Abraham Wellington, resigned;

DONALD McLEAN CALDOW,

LESLIE FOSTER,

JAMES MAY BURNS, and

EDMOND PATRICK KEALY

to be Trustees, Edenhope Public Cemetery, vice G. T. Johnstone, W. A. Bird, G. J. Marshall, and D. Mahoney, all resigned;

FRANK MARCH and

EDWARD ANDREWS

to be Trustees, Marong Public Cemetery;

JOHN JAMES HEAGNEY

to be a Trustee, Werona and Kooroocheang Public Cemetery, vice J. Heagney, resigned;

ROBERT JERVIES

to be a Trustee, Woorndoo Public Cemetery, vice John Green, deceased;

JOHN COUTTS,

STEPHEN FOLEY,

JAMES THOMAS STUART,

GILBERT GEORGE GLADMAN, and

NORMAN SAMUEL PAYNE

to be Trustees, Yarrayne Public Cemetery; and

JOHN ALBERT CLELAND,

EDWARD EVERARD JEFFERY,

LESLIE DAVID JONES,

HERBERT ERIC GRAYDEN, and

WILLIAM THOMAS SMITH

to be Trustees, Phillip Island Public Cemetery.

Nurses, Grade III.

JOYCE BENNETT, IRENE MAY CLARKE, and ESTELLE CUMMING—30th June, 1946.

RONICA JOSEPHINE BONSHOR—8th July, 1946.

GLORIA MAVIS LETTCH and PRUDENCE VIOLET GITTINS—9th July, 1946.

to be Nurses, Grade III., General Division, Mental Hygiene Branch; vacancies having occurred, and the Public Service Board having certified, on the 6th August, 1946, that appointments are required, that there are no persons available and fit in the Public Service to be promoted or transferred to fill the vacant offices, and that the persons named are fit and proper persons and duly qualified to be appointed to fill such vacancies on probation for twelve months, from and inclusive of the dates set out opposite their respective names.

Carter.

ROBERT WILLIAM YORK

to be a Carter, General Division, Mental Hygiene Branch; a vacancy having occurred, and the Public Service Board having certified, on the 14th August, 1946, that an appointment is required, that there is no person available and fit in the Public Service to be promoted or transferred to fill the vacant office, and that the person named is entitled, under the provisions of the *Public Service Act 1928*, to be appointed to fill such vacancy on probation for twelve (12) months.

Health Inspectors.

JOHN SAMUEL BARNES and

HARRY THOMAS JACK CARR.

Fruit Inspectors of the Department of Agriculture, under section 335 (1) of the *Health Act 1928*, without additional pay, to execute the powers and fulfil the duties of Health Inspectors of the Department of Health, insofar as such powers and duties relate to the positions held by them in the Department of Agriculture, and only for such time as they continue to hold such positions.

DEPARTMENT OF LANDS AND SURVEY.
Inspectors of Land Settlement.

RICHARD WILLIAM CHRISTIE,
ROY CYRIL JAMES,
ALBERT JOHN DIXON,
RONALD WILLIAM LEASK,
EDWARD JOHN HEENAN,
NICHOLAS ALBERT JOSEPH CHANT,
JAMES KENNETH BIGGS,
RONALD HARCOURT TULLY,
WILLIAM EDWIN KIRWAN,
STANLEY ANDERSON,
GEORGE CARRINGTON TULLY,
WILKIE KESWICK KITELEY,
LESLIE ADLAM,
NOEL DUNSTAN GELLIE,
WILLIAM GROVE,
ARTHUR DUNCAN STEVENSON, and
STANLEY FREDERICK BURROWS
to be Inspectors of Land Settlement; vacancies having occurred, and the Public Service Board having certified, on the 7th August, 1946, that appointments are required, that there are no persons available and fit in the Public Service to be promoted or transferred to fill the vacant offices, and that the persons named are fit and proper persons and duly qualified to be appointed to fill such vacancies on probation for six months, to date from and inclusive of the 5th November, 1945.

DEPARTMENT OF LAW.

Magistrates.

ETHEL LILLIAN HOLMES, 60 Spencer-street, Essendon,
LESLIE PHILIP READ, Bayswater,
HENRY EDWIN WITT, 275 Brunswick-street, Fitzroy,
ERIC WILLIAM RAVEN, 24 Hazeldine-road, Glen Iris.
STANLEY CHARLES BECKMAN, 240 Hawthorn-road, Caulfield,
WILBERT ERNEST DICKESON, 99 Ormond-road, Elwood.
GORDON PALMER MCGEE, 27 Invermay-grove, Auburn,
ARTHUR LESLIE COATES, 47 William-street, Melbourne,
SAMUEL HERBERT WOODS, 19 Irvine-crescent, West Brunswick,
LESLIE PATEMAN BRIANT, 612 Burke-road, Camberwell,
JOHN CYRIL LAWSON, Macedon, and
MICHAEL JOSEPH BRADY, 45 Almond-street, Caulfield,
to Keep the Peace in the Central Bailiwick of the State of Victoria;
JAMES EDWARD TUPPEN, Sebastopol,
NATHANIEL THOMAS CALLOW, Wilson-street, Ballarat East, and
ROBERT JOSEPH KNOWLES, Clarendon,
to Keep the Peace in the Southern Bailiwick of the State of Victoria;
FRANCIS ALEXANDER MCINTYRE, Digby,
to Keep the Peace in the Western Bailiwick of the State of Victoria; and
HAROLD ALEXANDER MILLS, Berriwillock,
to Keep the Peace in the Midland Bailiwick of the State of Victoria.

Clerks of Petty Sessions, &c.

DONALD LESLIE STOTT
to be also Clerk of Petty Sessions at North Melbourne and Heidelberg, during the absence on annual leave of A. E. Thompson; and
JAMES GEORGE GOFF
to be also Clerk of Petty Sessions and Clerk of the Metropolitan Industrial Court at Melbourne, and Collector for Interstate Destitute Persons, pursuant to the provisions of section 69 of the *Maintenance Act 1928*, during the absence on annual leave of F. C. P. Hill.

Commissioners for Taking Declarations, &c.

KATHLEEN CROCKFORD, 27 Brighton-street, Flemington,
to be a Commissioner for taking Declarations and Affidavits, pursuant to the provisions of Division 8 of Part IV. of the *Evidence Act 1928*—to resign upon removing from the neighbourhood of the address stated;
MAXWELL SCOTT PATON and
JOHN RAYMOND WINTER,
Officers of The British Australasian Tobacco Co. Pty. Ltd., 26-28 a Beckett-street, Melbourne,
to be Commissioners for taking Declarations and Affidavits, pursuant to the provisions of Division 8 of Part IV. of the *Evidence Act 1928*—to resign upon ceasing to occupy their present positions; and
THOMAS PAUL TIERNEY, 49 Rosamund-street, Balaclava,
EDITH PAULINE TIERNEY, 49 Rosamund-street, Balaclava, and
HENRY MORBERT TAYLOR, 105 Asling-street, Gardenvale,
to be Commissioners for taking Declarations and Affidavits, pursuant to the provisions of Division 8 of Part IV. of the *Evidence Act 1928*—to resign upon removing from the neighbourhood of the addresses stated.

Sheriffs' Bailiffs, &c.

ERNEST WILLIAM TYE, Senior Constable of Police, Korumburra,
to be also a Sheriff's Bailiff and a Bailiff of the County Court at Korumburra, in the place of A. E. Duvanel, resigned (with fees), to take effect from the date of commencement of duty; and
MARTIN JOHN HANRAHAN, Senior Constable of Police, Wangaratta,
to be also a Sheriff's Bailiff and a Bailiff of the County Court at Wangaratta, in the place of R. Dyball, resigned (with fees), to take effect from the date of commencement of duty.

Sworn Valuator.

WILLIAM HAMILTON FOOTE, care of George M. Hume Pty. Ltd., Manchester Unity Buildings, corner Collins and Swanston streets, Melbourne,
to be a Sworn Valuator, pursuant to the provisions of section 14 of the *Transfer of Land Act 1928*, for the County of Bourke.

DEPARTMENT OF TREASURER.

Collector of Imposts.

JOHN STUART DUNSTAN
to act as Collector of Imposts, Dunolly, for the purpose of collecting fees payable for the issue of miners' rights, during the absence of W. C. Harvey, with a commission of 10 per cent. on all collections made as issuer.

DEPARTMENT OF WATER SUPPLY.

Officer of the Fifth Class.

DANIEL FRANK NOLAN
to be an Officer of the Fifth Class, Clerical Division, Department of Water Supply; a vacancy having occurred, and the Public Service Board having certified, on the 26th July, 1946, that an appointment is required, that there is no person available and fit in the Public Service to be promoted or transferred to fill the vacant office, and that the person named is entitled, under the provisions of the *Public Service Act 1925*, to be appointed to fill such vacancy on probation for six (6) months.

Turncocks.

JAMES ALBERT HODGE,
JOHN EDMUND ISLES, and
STANLEY ELLIS ANDREWS
to be Turncocks, General Division; vacancies having occurred, and the Public Service Board having certified, on the 22nd August, 1946, that appointments are required, that there are no persons available and fit in the Public Service to be promoted or transferred to fill the vacant offices, and that the persons named are entitled, under the provisions of the *Public Service Act 1928*, to be appointed to fill such vacancies on probation for six months from and inclusive of the 5th November, 1945.

C. W. KINSMAN,

Clerk of the Executive Council.

At the Executive Council Chamber,
Melbourne, the 10th September, 1946.

RESIGNATIONS.

HIS Excellency the Lieutenant-Governor of the State of Victoria, by and with the advice of the Executive Council thereof, has, by Orders made on the 10th day of September, 1946, accepted the resignations of the persons named hereunder of the offices mentioned, viz.:

DEPARTMENT OF CHIEF SECRETARY.

CLARENCE STUART MCLEOD, as Registrar of Births and Deaths at Koo-wee-rup, to date from and inclusive of the 30th June, 1946.
LOUISA SNELL, as Registrar of Births and Deaths at Hopetoun.

DEPARTMENT OF LAW.

MICHAEL FRANCIS KELLEY, Justice of the Peace, of Horsham, as a Deputy Coroner, pursuant to the provisions of the *Coroners Act 1928*, at and in the vicinity of Horsham.
ERIC JOHN JOHANSON, of Warburton, from the Commission of the Peace for the Central Bailiwick of Victoria.
ALCIDE ERNEST DUVANEL, as a Sheriff's Bailiff and a Bailiff of the County Court at Korumburra.
ROBERT DYBALL, as a Sheriff's Bailiff and a Bailiff of the County Court at Wangaratta.
HAROLD EDGAR EVERY, Professional Assistant, Class "D," Crown Solicitor's Office, Law Department, as an Officer of the Public Service of Victoria, to take effect as from and inclusive of the 3rd September, 1946.
STEWART MILLS, Searcher, Office of Titles, as an Officer of the Public Service of Victoria, to take effect as from the 13th September, 1946.

DEPARTMENT OF MINES.

JOHN VICTOR BULEY, Senior Field Geologist, Classes "C" and "B," Professional Division, Mines Department, as an Officer of the Public Service of Victoria, from and inclusive of 22nd September, 1946.

DEPARTMENT OF WATER SUPPLY.

NORMAN GEOFFREY MORRIS, Fifth Class Clerk, Clerical Division, as an Officer of the Public Service of Victoria, from and inclusive of 22nd August, 1946.

C. W. KINSMAN,

Clerk of the Executive Council

At the Executive Council Chamber,

Melbourne, 10th September, 1946.

Public Service Act 1928 (No. 3757), Sections 90 and 91.

EXEMPTIONS.

HIS Excellency the Lieutenant-Governor of the State of Victoria, by and with the advice of the Executive Council thereof, and upon the recommendation of the Public Service Board, has, by Orders made on the 10th day of September, 1946, exempted the officers specified hereunder from the provisions of sections 90 and 91 of the *Public Service Act 1928* (No. 3757):—

DEPARTMENT OF HEALTH.

Members of the Nursing Staff and of the Female Artisan Staff of the Mental Hygiene Branch, Department of Health, who are required to work overtime—such exemption to be operative for a period of twelve (12) months from and inclusive of the 1st July, 1946.

DEPARTMENT OF LANDS AND SURVEY.

Officers of the Botanic Gardens, Melbourne, Department of Lands and Survey, who are required to act as Watchmen on Sundays—such exemption to be operative for a period of twelve (12) months from and inclusive of the 1st July, 1946.

DEPARTMENT OF PUBLIC WORKS.

Cecil Charles Hall, Electrical Mechanic, Department of Public Works, when required to be in attendance at Government House after the ordinary hours of duty, in connexion with the holding of social functions—such exemption to be operative for a period of six (6) months from and inclusive of the 1st August, 1946.

C. W. KINSMAN,

Clerk of the Executive Council.

At the Executive Council Chamber,

Melbourne, 10th September, 1946.

Infectious Diseases Hospital Act 1928.

NOMINATIONS FOR ELECTION TO FILL VACANCY ON THE HOSPITAL BOARD.

A VACANCY having occurred on the Queen's Memorial Infectious Diseases Hospital Board through the resignation of Cr. Henry Thomas Chapman, I hereby give notice, in pursuance of the provisions of the *Infectious Diseases Hospital Act 1928* and of Regulation made thereunder, that I have specified Wednesday, the 2nd day of October, 1946, as the day on or before which the council of each of the municipalities composing the "D" group, viz.:—Port Melbourne, South Melbourne, St. Kilda, and Brighton, respectively, may nominate a suitable person to be its representative member on the said Board for the period ending on 15th October, 1947.

Dated at Melbourne, this 11th day of September, 1946.

C. R. MERRILLEES,

Returning Officer.

Department of Health, 295 Queen-street, Melbourne.

FORESTS COMMISSION OF VICTORIA.

APPOINTMENT OF COMMITTEE OF MANAGEMENT, PARISH OF MOOROOPNA.

IN pursuance of the provisions of section 56 of the *Forests Act 1928*, I, William Peter Barry, His Majesty's Minister of Forests in the State of Victoria, on the recommendation of the Forests Commission, do hereby appoint the Commissioners of the Shepparton Urban Waterworks Trust as members of the Committee of Management for a period of three years from the first day of October, 1946, of the land forming part of the reserved forest in the Parish of Mooropna, shown by pink colour on plan marked B.39/2671/1.10.40 in correspondence file 39/934 of the Forests Commission.

Dated at Melbourne, the twenty-first day of August, 1946.

WM. BARRY,

Minister of Forests.

Transport Regulation Acts.

TRANSPORT REGULATION BOARD.

NOTICES OF PUBLIC HEARINGS.

NOTICE is hereby given that the applications lodged by the persons named below for licences to operate the commercial goods or passenger vehicles on the route or routes, or in the manner set out opposite their names, will be heard at a time and place to be communicated to the parties:—

Name of Applicant; Nature of Application.

MELTON, C. J.: 1 commercial goods vehicle for the carriage of goods in the course of trade as "General Dealer" (scrap metal, bags, bottles, farm machinery, &c.), and also farm machinery for repair and servicing from farms to Melbourne, and return to farms throughout Victoria.

REED, R. V.: 1 commercial passenger vehicle, with seating capacity for 7-14 persons, to be purchased, to operate as follows:—(a) as a stage omnibus between Metung and Bairnsdale as required, (b) tours from Metung to Buchan, Lake Tyers, and Bruthen, (c) private hire 50 miles Metung.

MURRAY VALLEY COACHES PTY. LTD.: 1 commercial passenger vehicle, with seating capacity for 8 persons—(1) as a substitute vehicle for licensed vehicles operating under the terms and conditions of licence No. A4, (2) as a touring omnibus within 20 miles Swan Hill, (3) to operate as a substitute vehicle for vehicle licensed TA.1582 in the name of Murray Valley Coaches (trading as Swan Hill Hire Cars).

ANSETT, R. M. (Mildura Bus Lines Pty. Ltd.): 1 commercial passenger vehicle, with seating capacity for 24 persons, to be purchased, to operate on tours to be arranged for the conveyance of tourist traffic at separate and distinct fares within a radius of 20 miles of Mildura (this replaces the application published on the 28th August, 1946).

ANSETT, R. M. (Mildura Bus Lines Pty. Ltd.): application for variation of licences A.309, A.310, A.311, A.312, A.313, A.753, A.1135, A.1198, A.1221, A.1222—(a) to convey tourist traffic at separate and distinct fares within 20 miles Mildura, (b) charter conditions within 20 miles Mildura.

ANSETT, R. M. (Mildura Bus Lines Pty. Ltd.): 2 commercial passenger vehicles, with seating capacity for 5 persons, to be purchased, to operate as follows:—(a) separate and distinct fares within 10 miles Mildura, (b) private hire throughout the State of Victoria.

Notice of any objection should be forwarded to reach the Secretary to the Board not later than Wednesday, the 2nd October, 1946.

E. V. FIELD,

Secretary.

Exhibition Buildings, Rathdown-street, Carlton, 17th September, 1946.

Cemeteries Acts.

TARADALE PUBLIC CEMETERY.

SCALE OF FEES.

IN pursuance of the powers conferred by the Cemeteries Acts, the Trustees of the Taradale Public Cemetery hereby make the following scale of fees, which shall come into operation upon publication in the *Government Gazette*:—

Public Graves.

	£	s.	d.
Interment of adult	2	5	0
Interment of child	0	10	0

Private Graves.

Land 8 feet by 8 feet	3	0	0
Land 8 feet by 4 feet	2	0	0
Sinking grave 6 feet	2	5	0
Sinking grave 7 feet	2	10	0
Sinking grave 8 feet	2	15	0
Sinking child's grave	0	17	6
Re-opening grave	2	0	0
Blasting rock, extra per foot	0	2	6

Miscellaneous Charges.

Sunday burials, extra	1	10	0
Right to erect monument	0	10	0

J. C. PETHYBRIDGE } Trustees.
J. G. DORMAN }
JACK REILLY }
A. E. PETHYBRIDGE, Secretary.

Approved by the Governor in Council,
10th September, 1946.

C. W. KINSMAN,

Clerk of the Executive Council.

Cemeteries Acts.

AMENDMENT TO SCALE OF FEES OF THE SHEPPARTON PUBLIC CEMETERY.

IN pursuance of the powers conferred by the Cemeteries Acts, the Trustees of the Shepparton Public Cemetery hereby make the following amendment to the scale of fees of the said cemetery published in the *Government Gazette* of the 17th June, 1925, which shall come into operation on publication in the *Government Gazette*:—

Delete—		
“Sinking grave, 7 feet deep	£1 5 0.”
and substitute—		
“Sinking grave, 7 feet deep	£1 10 0.”

C. H. WHITFIELD	} Trustees, Shepparton Cemetery Trust.
J. ALBERT WRIGHT	
ROBT. BROOMFIELD	

Approved by the Governor in Council,
10th September, 1946.

C. W. KINSMAN,
Clerk of the Executive Council.

INDUSTRIAL AND PROVIDENT SOCIETIES ACT 1928.

NOTICE is hereby given that a society called the “Kiewa Hydro Co-operative Distribution Society Limited” is registered under the provisions of the above Act.

Given under my hand this thirteenth day of September, 1946.

A. E. RASMUSSEN,
Registrar of Friendly Societies.

Town and Country Planning Act 1944.

SHIRE OF CORIO.

INTERIM DEVELOPMENT ORDER.

WHEREAS, by virtue of the powers conferred by the *Town and Country Planning Act 1944* and every other power enabling them in that behalf, the preparation of a planning scheme, in accordance with the said Act, has been commenced by the Council of the Shire of Corio (hereinafter referred to as the “Responsible Authority”), which hereby makes the following Interim Development Order:—

1. The development of all land referred to in the Schedule, and the erection, construction, and carrying out of any buildings, roads, or other works on any of the said land is hereby prohibited.

2. Any person may apply to the Responsible Authority for permission to develop, subdivide, or otherwise use any land, or erect or construct any buildings, roads, or other works, during the operation of this Order.

3. Any application for permission to develop, subdivide, or otherwise use any land, or erect or construct any building, roads, or other works, may be granted by the Responsible Authority, subject to such conditions as are specified in the permit, or may be refused.

4. Any owner of any land who, after the service of a copy of this Order, contravenes any of the provisions contained herein, shall, when directed by notice, in writing, remove, pull down, take up, or alter any building, road, or other works, and, if any owner fails to do so within the time specified by the notice, the Responsible Authority may carry out all or any of such works, and recover all expenses incurred, after due notice has been given to the owner, lessee, and/or occupier, in accordance with the provisions of section 12, sub-section 3, of the Act.

5. None of the provisions of this Order shall prohibit the continuance of the use of any land or buildings for the purpose for which it was used immediately before the coming into operation of this Order.

6. This Order shall remain in operation until the approval of the Planning Scheme, in accordance with the *Town and Country Planning Act 1944*, or until this Interim Development Order is revoked by the Governor in Council.

7. Schedule of land affected: The whole of the Moorpanyal Riding of the Shire of Corio.

(SEAL)	A. S. THOMSON, President.
	D. W. HOPE, Councillor.
	ALEX ANDERSON, Municipal Clerk.

Report by the Town and Country Planning Board on the 4th September, 1946. Recommended for approval.—J. S. GAWLER, Chairman.

Approved by the Governor in Council,
17th September, 1946.

C. W. KINSMAN,
Clerk of the Executive Council.

Town and Country Planning Act 1944.

SHIRE OF DONCASTER AND TEMPLESTOWE.

INTERIM DEVELOPMENT ORDER.

WHEREAS by virtue of the powers conferred by the *Town and Country Planning Act 1944*, and every other power enabling them in that behalf, the preparation of a planning scheme in accordance with the said Act has been commenced by the Council of the Shire of Doncaster and Templestowe (hereinafter referred to as the “Responsible Authority”), which hereby makes the following Interim Development Order:—

1. The development of all land referred to in the Schedule, and the erection, construction, and carrying out of any buildings, roads, or other works on any of the said land is hereby prohibited.

2. Any person may apply to the Responsible Authority for permission to develop, subdivide, or otherwise use any land or erect or construct any buildings, roads, or other works during the operation of this Order.

3. Any application for permission to develop, subdivide, or otherwise use any land or erect or construct any building, roads, or other works may be granted by the Responsible Authority, subject to such conditions as are specified in the permit, or may be refused.

4. Any owner of any land who, after the service of a copy of this Order, contravenes any of the provisions contained herein, shall, when directed by notice, in writing, remove, pull down, take up, or alter any building, road, or other works, and, if any owner fails to do so within the time specified by the notice, the Responsible Authority may carry out all or any of such works, and recover all expenses incurred, after due notice has been given to the owner, lessee, and/or occupier in accordance with the provisions of section 12, sub-section (3), of the Act.

5. None of the provisions of this Order shall prohibit the continuance of the use of any land or buildings for the purpose for which it was used immediately before the coming into operation of this Order.

6. This Order shall remain in operation until the approval of the Planning Scheme, in accordance with the *Town and Country Planning Act 1944*, or until this Interim Development Order is revoked by the Governor in Council.

7. Schedule of land affected—

In the Templestowe Riding of the Shire of Doncaster and Templestowe, commencing at the junction of Koonung Koonung Creek and Main-road, Doncaster; thence easterly along the Main-road to High-street; thence northerly along High-street to Ayr-street; thence westerly and northerly along Ayr-street to Manningham-road; thence westerly along Manningham-road to Thompson's-road; thence northerly and easterly along Thompson's-road to Templestowe-road; thence northerly to the Yarra River; thence westerly and southerly along the southern and eastern bank of the Yarra to the junction of the Yarra River and the Koonung Koonung Creek; thence easterly along the Koonung Koonung Creek to the commencing point.

In the Doncaster Riding of the Shire of Doncaster and Templestowe, commencing at the junction of the Koonung Koonung Creek and Main-road, Doncaster; thence easterly and southerly along the Koonung Koonung Creek to the junction of the Koonung Koonung Creek and Elgar-road; thence northerly along Elgar-road to the junction of Main and Williamson's roads; thence northerly along Williamson's-road to Manningham-road; thence westerly along Manningham-road to Ayr-street; thence southerly and easterly along Ayr-street to High-street; thence southerly along High-street to Main-road; thence westerly along Main-road, Doncaster, to the commencing point at the junction of Main-road, Doncaster, and Koonung Koonung Creek.

The corporate seal of the President, Councillors, and Ratepayers of the Shire of Doncaster and Templestowe was hereunto affixed in the presence of—

(SEAL)	J. B. HORSFALL, President.
	F. NANKIVELL, Councillor.
	B. P. DAVIES, Shire Secretary.

29th August, 1946.

Report by the Town and Country Planning Board, on the 4th September, 1946. Recommended for approval.—J. S. GAWLER, Chairman.

Approved by the Governor in Council,
17th September, 1946.

C. W. KINSMAN,
Clerk of the Executive Council.

Water Acts.

STATE RIVERS AND WATER SUPPLY COMMISSION.
NYAH URBAN DISTRICT.

NOTICE to owners of tenements in the under-mentioned street in the Nyah Urban District and the private streets, lanes, courts, and alleys opening thereto:— Malcolm-street, from School Hill-street to allotment 6, section 3, about 5 chains northerly.

The main pipe in the said street being laid down, the owners of all tenements situated as above are hereby required, on or before the 18th day of October next, to cause proper pipes and stop cocks to be laid, so as to supply water within such tenements from the main pipe.

L. DUGGAN, Secretary,
State Rivers and Water Supply Commission.
Melbourne, 13th September, 1946.

STATE RIVERS AND WATER SUPPLY COMMISSION.

NOTICE is hereby given that every part of each of the under-mentioned Flood Protection Districts is benefited by the flood protection works constructed for the service of each of such Districts under the provisions of the Water Acts, and has been so benefited on and from 1st July, 1946:—

Cardinia, Kanyapella, Loch Garry, and Lower Koo-wee-rup.

NOTICE is hereby given that every part of each of the under-mentioned Irrigation and Water Supply Districts is supplied with water for irrigation under the provisions of the Water Acts, and has been so supplied on and from 1st July, 1946:—

Bacchus Marsh, Boort, Calivil, Cohuna, Deakin, Dungee, Fish Point, Katandra, Kerang, Koondrook, Maffra-Sale, Merbein, Mystic Park, North Shepparton, Nyah, Red Cliffs, Rochester, Rodney, Shepparton, South Shepparton, Swan Hill, Third Lake, Tongala-Stanhope, Tragowel Plains, and Werribee.

NOTICE is hereby given that every part of each of the under-mentioned Irrigation and Water Supply Districts is directly benefited by being supplied with water by works carried out under the provisions of the Water Acts, and has been so benefited on and from 1st July, 1946:—

Bacchus Marsh, Boort, Calivil, Campaspe, Cohuna, Deakin, Dungee, Fish Point, Katandra, Kerang, Koondrook, Maffra-Sale, Merbein, Mystic Park, North Shepparton, Nyah, Red Cliffs, Rochester, Rodney, Shepparton, South Shepparton, Swan Hill, Third Lake, Tongala-Stanhope, Tragowel Plains, Tresco, and Werribee.

NOTICE is hereby given that every part of each of the under-mentioned Waterworks Districts is directly benefited by being supplied with water by works carried out under the provisions of the Water Acts, and has been so benefited on and from 1st July, 1946:—

Axe Creek, Birchip, Carwarp, Carwarp Central, Coreena, East Loddon, Harcourt, Hindmarsh, Karkaroo, Kerang North-west Lakes, Loddon, Long Lake, Millewa, Millewa Central, Normanville, Sea Lake, Tyntynder, Tyrrell, Tyrrell West, Upper Western Wimmera, Upper Wimmera United, Walpeup West, Werribee, Western Wimmera, West Loddon, Wimmera United, Wycheproof, and Yelta.

NOTICE is hereby given that every part of each of the under-mentioned Drainage Districts is benefited by the drainage works constructed for the service of each of such Districts under the provisions of the Water Acts, and has been so benefited on and from 1st July, 1946:—

Carrum, Cohuna, Kerang East, Maffra-Sale, Merbein, Murrabit, Nyah, Red Cliffs, Rochester, Rodney, Shepparton, Tongala-Stanhope, Werribee, and Woorinen.

NOTICE is hereby given that every part of the Murray Valley Irrigation and Water Supply District coloured pink on a plan of such district, signed and sealed by the Commission and lodged at the office of such Commission at Melbourne, an authenticated copy of which is lodged at the office of the Commission at Cobram, is supplied with water for irrigation, and is directly benefited by being supplied with water by works carried out under the provisions of the Water Acts, and has been so supplied and benefited on and from 1st July, 1946.

L. DUGGAN, Secretary,
State Rivers and Water Supply Commission.
Melbourne, 13th September, 1946.

Marine Act 1928.

AMENDMENT OF PILOTAGE REGULATIONS.

UNDER powers in that behalf conferred by section 79 of the Marine Act 1928, and all other powers in that behalf enabling, the Marine Board of Victoria, with the approval of His Excellency the Governor in Council, doth ordain and determine that on and after the date of publication in the Government Gazette, schedules to the Regulations relating to pilots and pilotage shall be amended as follows:—

SCHEDULE "A."

Item (3).—The minimum charge for pilotage services for steamships and ships propelled by electricity or other mechanical power from without Port Phillip Heads to an anchorage or pier in Hobson's Bay or Corio Bay, or vice versa, shall be £5.

Item (4).—The rates of pilotage from an anchorage or pier in Hobson's Bay to an anchorage or pier in Corio Bay (and vice versa) and any intermediate distance not included in Schedule "B" of these Regulations, calculated on net registered tonnage, shall be 2d. per ton, with a maximum charge of £20 and a minimum charge of £5.

Item (6).—The "Special Rates" for pilotage services for a pleasure yacht or other vessel not being a ship of war, resorting to port only for or on account of one or more of the following purposes or causes, namely, pleasure or seeking cargo or calling for orders or effecting repairs or docking or obtaining provisions or through stress of weather or undergoing survey or being otherwise in distress, subject to the proviso that should the vessel subsequently discharge or load any cargo or land or take on board any passengers in the port for the purpose of or incidental to earning freight of passage money the vessel and those concerned shall be liable to pay and shall pay the ordinary full rates of pilotage in respect of the vessel both inwards and outwards:—

From without Port Phillip Heads to an anchorage within the ports of Port Phillip, Geelong, or Melbourne, or vice versa, shall be:—

Steamships (calculated on net registered tonnage) 2d. per ton, with a maximum charge of £30 and a minimum charge of £5.

SCHEDULE "B."

Ports of Melbourne and Geelong.

The pilotage rate from one place to another in Hobson's Bay or Corio Bay; from Hobson's Bay to a Melbourne wharf, or vice versa; from Newport, Footscray, or Yarraville to a Melbourne wharf, or vice versa; or any intermediate distance, for ships towed by steam, steamships, and ships propelled by electricity or other mechanical power, shall be One farthing (1d.) per ton, calculated on the vessel's net registered tonnage, subject in any case to a minimum charge of Two pounds (£2).

The foregoing ordinance and determination was passed at a meeting of the Marine Board of Victoria, held on the sixteenth day of August, in the year of our Lord One thousand nine hundred and forty-six.

(SEAL) D. S. STEVENSON, President.
C. R. DUNCAN, Member.
H. N. S. WOLLASTON, Member.
R. S. ROHNER, Secretary.

Approved by the Governor in Council,
10th September, 1946.

C. W. KINGSMAN,
Clerk of the Executive Council.

NOTICE TO MARINERS.

[No. 5 of 1946.]

AUSTRALIA—VICTORIA.

PORT PHILLIP, ALTERATION IN EXPLOSIVES ANCHORAGE.

VESSELS with explosives on board exceeding two hundred and fifty (250) tons and not exceeding four hundred (400) tons in weight are to anchor within a radius of half a mile from a point distant 3 miles 6 cables 178 degrees from the outer end of Truganina Jetty and in line with the outer end of this jetty and the Dumb Joe Black Can Buoy; Point Cook bears 319 degrees from such point.

Charts Affected.—1,171.

Publications.—Australian Pilot, Vol. 2, 1944; General Notice to Mariners Respecting Navigation in Victorian Waters 1942, page 148.

D. STEVENSON,
Port Officer.

Ports and Harbors Branch,
Department of Public Works,
Melbourne, C.2, 14th September, 1946.

NOTICE.

ADMINISTRATION of the estate of each of the under-mentioned deceased persons has been granted to me, and creditors, next of kin, and all others having claims against the estate of any of the persons so mentioned are required to send particulars of their claims to the Public Trustee, No. 412 Collins-street, Melbourne, on or before the 20th November, 1946, or they will be excluded from the distribution of the estate when the assets are being distributed:—

*BENZLEY, WILLIAM ERIC, formerly of Sassafras, but late of A.I.F., soldier, died 1st July, 1942.

BLEAKLEY, WILLIAM EMERY CHAMBERS, late of 21 Myrtle-road, Canterbury, radio technician, died 6th February, 1946, intestate.

BURGUM, HARRY, late of 47 Magnolia-road, Gardenvale, railway employee, died 26th March, 1946, intestate.

CAMPBELL, RUTH, also known as Ruth Dennis, late of 283 Kooyong-road, Elsternwick, spinster, died 15th October, 1945, intestate.

CLAGUE, CLARA MARY, late of 6 Sutton-street, North Melbourne, married woman, died 8th June, 1946, intestate.

CLAYSON, ERNEST EDWARD, late of Lock 9, Cullulleraine, via Mildura, pensioner, died 7th March, 1946, intestate.

†COLE, ALBERT ARTHUR, late of 183 Highfield-road, Camberwell, engineer, died 27th June, 1946.

COLGAN, JAMES, late of 15 Oxford-street, North Melbourne, boot repairer, died 15th June, 1946, intestate.

COUSINS, ERNEST JOHN, late of Bay View Hotel, Footscray, barman, died 17th June, 1946, intestate.

FARRIES, SELINA ALICE, late of 8 Murphy-grove, Preston, married woman, died 25th May, 1946, intestate.

HARRIS, DOROTHY ALICE, late of 14 Cunningham-street, Northcote, married woman, died 7th July, 1946, intestate.

JONES, EDWIN HENRY, late of 31 Chatham-road, Canterbury, retired postmaster, died 23rd February, 1946, intestate.

†KERR, ISABELLA, late of Granity, New Zealand, widow, died 3rd February, 1946.

MANFREDI, MICHAEL, late of 7 King William-street, Fitzroy, doctor of agriculture, died 2nd August, 1945, intestate.

*MOORE, JEREMIAH, formerly of Clohogan Clifden, County Kilkenny, Eire, but late of High-street, Melton, Victoria, boot repairer, died 10th September, 1945.

†MCCARTHY, MARTHA, late of 17 Albert-road, Surrey Hills, widow, died 21st May, 1946.

McINTOSH, MARGARET LEITCH, late of 45 Wantirna-road, Ringwood, widow, died 10th June, 1946, intestate.

McKNIGHT, DAVID, late of 7 Ridgeway East, Yallourn, cleaner, died 22nd May, 1946, intestate.

PETERKEN, MAVIS JEAN, also known as Mavis Jean Peterkin, late of 5 Larne-grove, Preston, married woman, died 10th March, 1946, intestate.

SMITH, LILLIAN WHITELEY, late of 3188 Wattle-tree-road, East Malvern, married woman, died 27th July, 1946, intestate.

STITT, HERBERT JOHN, late of 11 Sussex-street, Yarraville, metal worker, died 28th October, 1937, intestate.

* According to the provisions of the will.

† Will the will annexed.

C. J. GARDNER,

Acting Public Trustee.

Melbourne, 11th September, 1946.

4 GEORGE VI. No. 4755, SECTION 6.

I HEREBY give notice that on the 6th September, 1946, I filed elections to administer the following deceased persons' estates, in accordance with section 6 of the *Public Trustee Act 1940*:—

*BENZLEY, WILLIAM ERIC, formerly of Sassafras, but late of A.I.F., soldier, died 1st July, 1942.

CAMPBELL, RUTH, also known as Ruth Dennis, late of 283 Kooyong-road, Elsternwick, spinster, died 15th October, 1945, intestate.

CLAYSON, ERNEST EDWARD, late of Lock 9, Cullulleraine, via Mildura, pensioner, died 7th March, 1946, intestate.

COLGAN, JAMES, late of 15 Oxford-street, North Melbourne, boot repairer, died 15th June, 1946, intestate.

COUSINS, ERNEST JOHN, late of Bay View Hotel, Footscray, barman, died 17th June, 1946, intestate.

MANFREDI, MICHAEL, late of 7 King William-street, Fitzroy, doctor of agriculture, died 2nd August, 1945, intestate.

*MOORE, JEREMIAH, formerly of Clohogan Clifden, County Kilkenny, Eire, but late of High-street, Melton, Victoria, boot repairer, died 10th September, 1945.

PETERKEN, MAVIS JEAN, also known as Mavis Jean Peterkin, late of 5 Larne-grove, Preston, married woman, died 10th March, 1946, intestate.

* According to the provisions of the will.

C. J. GARDNER,

Acting Public Trustee.

412 Collins-street, Melbourne, C.I., 11th September, 1946.

4 GEORGE VI. No. 4755, SECTION 6.

I HEREBY give notice that on the 30th August, 1946, I filed an election to administer the following deceased person's estate, in accordance with section 6 of the *Public Trustee Act 1940*:—

*MCPHEE, ANDREW NORMAN, formerly of 20 Lyons-street south, Ballarat, but late of A.I.F., soldier, died 11th May, 1945.

* According to the provisions of the will.

C. J. GARDNER,

Acting Public Trustee.

412 Collins-street, Melbourne, C.I., 12th September, 1946.

SUBJECT to any necessary excisions, &c., it is proposed to grant the following lease:—

6995, Maryborough; William George Handmer, 57a. 0r. 5p., in Parish of Tarnagulla.

APPLICATION FOR MINING LEASE ABANDONED.

6988, Maryborough; Hugh Norman Heywood Mirams, 64a. 1r. 2 p., in Parish of Tarnagulla.

APPLICATIONS FOR TAILINGS LICENCES REFUSED.

1931, Tailings Licence; Edwin Rowe Hamley and Alexander James Harris, 7a. 3r. 31p., in Parish of Sandhurst.

TERMS OF LICENCES EXTENDED.

The terms of the under-mentioned licences have been extended for a further period of two years from the 1st July, 1946, and the 1st February, 1946, respectively:—

68, Petroleum Prospecting Licence; Gippsland Oil Company Ltd., 10,227 acres, in the Parish of Bumberrah.
125, Petroleum Prospecting Licence; Producing Oil Fields Ltd., 38 square miles, in the Parishes of Portland, &c.

W. G. MCKENZIE,
Minister of Mines.

CONTRACTS ACCEPTED.—(Series 1946-47.)

VICTORIAN RAILWAYS.

49, Aluminium Alloy Channels, Angles and Sheets, at rates (Contract 55502).—Nielson and Maxwell Ltd. 50, 84-in. Type 4 BN Lathe for £1,241 3s. (Contract 55607).—Gilbert Lodge and Co. Pty. Ltd. 51, Printing papers, at rates (Contract 55719).—Alex Cowan and Sons Ltd. 52, Air Conditioning Equipment, at rates (Contract 55742).—Coates and Co. Pty. Ltd.

By order of the Victorian Railways Commissioners,

E. C. EYERS, Secretary. 13.9.46.

CONTRACTS ACCEPTED.—(Series 1946-47.)

Gazette No. 121, 3rd July, 1946, Schedule No. 3.—Cartage of Coal (Metropolitan). For H. J. Scull substitute N. J. Matthews, 22 Westgarth-street, Northcote, as from 1st September, 1946.

Gazette No. 122, 5th July, 1946, Schedule No. 39, Sub-schedule A.—Furniture (General), &c. For Item No. 22 substitute £2 8s. 6d. in lieu of £2 5s.

W. H. RUTHERFORD, Secretary to the Tender Board. 16.9.46.

ORDERS IN COUNCIL.—(Series 1945-46.)

STATE RIVERS AND WATER SUPPLY COMMISSION.

Loan—
1724, Three Allis Chalmers type U. tractors, £1,350.—Allied Works Council.

1725, Purchase of three compressors, trailer mounted, model 100, with petrol engines, capacity 75 cubic feet; two compressors, trailer mounted, capacity 170 cubic feet, with Southern Cross Y.G.B. engine; one tractor crawler, Cletrac with "Le Tourneau" R.F. power control unit and cable controlled angle dozer, £6,826.—Allied Works Council.

Approved by the Governor in Council, 7th May, 1946.—
C. W. KINSMAN, Clerk of the Executive Council.

ORDERS IN COUNCIL.—(Series 1946-47.)

STATE RIVERS AND WATER SUPPLY COMMISSION.

Loan—
1000, Six sled type pumping units, £2,100.—Ministry of Munitions.

Approved by the Governor in Council, 16th July, 1946.—
C. W. KINSMAN, Clerk of the Executive Council.

Loan—

1001. Supply of one mobile 2-ton crane (Malcolm Moore), one Ingersoll Rand drill sharpener, one Adams grader, one Kelly and Lewis three-stage 6-in. centrifugal pump, and one "Le Tourneau" 6 cubic yard scraper, £3,037.—Allied Works Council.

1002. Test-boring on proposed site of Cairn Curran Dam, £1,076 12s. 6d.—W. L. Sides and Son Pty. Ltd. Stores Suspense Account—

1003. 100 tons ½-in. diameter round mild steel, £1,561 5s.—John Sharp and Sons Pty. Ltd.

Approved by the Governor in Council, 13th August, 1946.—C. W. KINSMAN, Clerk of the Executive Council.

DEPARTMENT OF PUBLIC INSTRUCTION.

983. One Universal high-speed dial type milling machine for Warrnambool Technical School, £1,300.—McPherson's Pty. Ltd., Melbourne.

Approved by the Governor in Council, 10th September, 1946.—C. W. KINSMAN, Clerk of the Executive Council.

DEPARTMENT OF PUBLIC WORKS.

984. For the supply of White Rose boiler to School of Mines, Ballarat, £165 15s.—John Danks and Son, Pty. Ltd.

Approved by the Governor in Council, 10th September, 1943.—C. W. KINSMAN, Clerk of the Executive Council.

STATE ELECTRICITY COMMISSION.

985. For the supply of two only model 86D Remington bookkeeping machines with registers, to Quotation No. 455.—Chartres Pty. Ltd.

986. For the supply of four only 22 kV three-phase and six only 6.6 kV single-phase potential transformers for metropolitan sub-stations, to Quotation No. 229.—Australian General Electric Pty. Ltd.

Approved by the Governor in Council, 27th August, 1946.—C. W. KINSMAN, Clerk of the Executive Council.

987. For the supply of 30,000 lineal feet hardwood flooring and 30,000 lineal feet round-edge hardwood for buildings at Kiewa Hydro-electric Scheme, to Quotation No. 627.—Mate's Ltd.

988. For the supply of parts for switchgear at Malvern Terminal Station, to Quotation No. 4901.—A. Reyrolle and Co. Ltd.

989. For the supply of 14 only power take offs and 14 only adapter gears for pole erector trucks, to Quotation No. 616.—Industrial Service Engineers Pty. Ltd.

990. For the supply of one only tractor fitted with detachable power-driven hay mower for bush fire protection works, Yallourn, to Quotation No. 567.—Malcolm Moore Ltd.

991. For the supply and delivery of structural steelwork for extensions to Main Store, Yallourn, to Quotation No. 536.—Charles Ruwolt Pty. Ltd.

992. For the supply of 607 feet running length of rubber conveyor belt, Yallourn Briquette Factory, to Quotations Nos. 372 and 372A.—Dunlop Rubber Australia Ltd.

993. For the supply of three only Bedford 30-cwt. trucks and five only Bedford 4.5 ton trucks, to Quotation No. 507.—S. A. Cheney Pty. Ltd.

994. For the supply of spare parts for caterpillar tractors, to Quotations Nos. 638 and 470.—William Adams and Co. Ltd.

995. For the supply of 36 only single-phase overcurrent relays for overload and leakage protection, to Quotation No. 4459.—R. and C. Thomas Bros. Pty. Ltd.

996. For the supply of 1,500 feet flanged steel pipe, 18-in. bore, and 1,000 feet flanged steel pipe, 24-in. bore, for pumping plant, Yallourn Open Cut, to Specification No. 46-47/20.—Mephar Ferguson Pty. Ltd.

997. For the supply of tires and tubes for earth-moving equipment, Kiewa Hydro-Electric Scheme, to Quotation No. No. 165.—Dunlop Rubber Australia Limited.

998. For the supply of 1,800 feet 4-core 6.6 kV trailing cable, Yallourn Open Cut, to Specification No. 45-46/114.—Lawrence and Hanson Electrical Pty. Ltd.

999. For the supply of two only electro-magnetic oscillographs for laboratory tests and recording of system disturbances, to Specification No. 45-46/53.—Westinghouse Rosebery Pty. Ltd.

Approved by the Governor in Council, 10th September, 1946.—C. W. KINSMAN, Clerk of the Executive Council.

Farmers Debts Adjustment Act 1935.

CANCELLATION OF STAY ORDERS.

NOTIFICATION is hereby given that the Stay Orders issued to the under-mentioned farmers have been cancelled by the Farmers' Debts Adjustment Board, such cancellation to take effect on Wednesday, 18th September, 1946:—

No. of Stay Order; Name; Address.

- 240; Menzel, Friedrich Wilhelm; Nhill.
 4209; Mibus, Wilfred John; Green Lake.
 3411; Morecon, Hubert Allan; Rupanyup.
 4014; Molony, Catherine (deceased); Litchfield.
 801; Hines, Albert; Cope Cope.
 987; Holdsworth, John James; Jung.
 3881; Ellis, Alfred Ernest; Pimpinio.
 3383; Ellis, Alfred Ernest; Pimpinio.
 3592; Ellis, Frank, as executor of William George Dyke (deceased); Pimpinio.
 3562; Evans, Charles Ogwen; Donald.
 3912; Gniel, Frederick William, Frederick Ernest, and Edward Walter (trading as F. W. Gniel & Sons); Propodollah.
 1866; Pohlner, Richard Edward; Peppers Plains.
 4251; Preston, Eric Claude and Cecil Percy; Detpa.
 705; Proctor, Frederick; St. Arnaud East.
 1779; Schaefer, Freidrich Johann Wilhelm; Dimboola.
 2675; Schneider, Otto August; Lorquon.
 1931; Scott, William; Ailsa.
 4025; Krelle, Alfred Henry; Burreroo, via Minyip.
 1864; Kube, Walter Benjamin Gordon; Lorquon West.
 1007; Kuhne, Herbert George and Albert Otto; Wail.
 3443; Leeson, Albert Thomas; Rupanyup.
 4419; Lewis, Francis Thomas; Bangerang North.
 2501; Schaefer, Jane Alice; Dimboola.
 3620; Warmuth, Herbert Ernest Fritz; Warracknabeal.
 2408; Menzel, Johannes Paul; Dimboola.
 3830; Whelan, James Daniel (deceased); Wycheproof.
 884; Wilde, William; Wilkur.
 3318; Wilkinson, John Gustave; Massey.
 4423; Williams, Emma Louisa; Galaquil.
 3466; Witmitz, Gustav Hermann Ludwig; Yarrook.
 2146; McArthur, James Vincent; Mirranatwa.
 4238; Maybery, John Thomas; Warracknabeal.
 3634; Meagher, Joseph John, junior; Lawloit.
 2370; Meier, Johann Wilhelm; Netherby.
 3225; Howe, Albert Charles; Lillimur.
 4103; McKenzie, Colin Aubrey; Yellangip.
 3254; McLean, Hugh Alexander; Bangerang North.
 4174; Johns, Thomas Alexander; Drung South.
 1676; Keller, Victor Wilhelm August, as executor of Wilhelm Gustav (deceased); Ni-Ni-Well.
 3402; Dymke, Alma Hulda; Natimuk.
 3362; Dymke, August Hermann; Natimuk.
 2253; Warren, Alfred William; Sydenham.
 1861; Eichler, Herbert Alfred; Netherby.
 2223; Gross, Edmund Arthur; Green Lakes.
 2224; Gross, George Frederick; Green Lakes.
 3902; McCurry, Richard; Rochester.
 2986; Kiddle, Richard Halliday (deceased); Stawell.
 2225; Kirkpatrick, Maria; Corack East.
 2145; Klinge, August Heinrich Alfred; Arkona.
 4334; Lehmann, Christian Gustav; Dimboola.
 3229; Harris, Ernest Albert; Donald.
 4144; Hinchliffe, Albert William; Birchip.
 3464; Smith, Kenneth Enebar; Lorquon.
 4169; Smith, Hurtle Albert; Yanae.
 1613; Thomas, Herbert Leslie White; Blackheath.
 474; Voigt, Ernest Alfred; Lorquon.
 1140; Shallcross, William; Drouin South.

W. J. EVANS, Deputy Secretary.

Farmers' Debts Adjustment Board.

17th September, 1946.

CLOSER SETTLEMENT ACT 1938.

At the Executive Council Chamber, Melbourne, the seventeenth day of September, 1946.

PRESENT:

His Excellency the Lieutenant-Governor of Victoria.
Mr. Galvin | Mr. Coleman.

RESUMPTION FOR RAILWAY PURPOSES.—PARISHES OF SEYMOUR AND TALLAROOK.

WHEREAS a lease, under the provisions of section 12 of the *Closer Settlement Act 1938* and dated the first day of March in the year of our Lord One thousand nine hundred and thirty-nine, was duly issued to Robert Henry Free, of Seymour, in the State of Victoria (and therein called the lessee), in respect of allotments 46 and 47, section 1 (one), Parish of Tallarook, allotment 7, section W, and allotments 3 and 4, section X, Parish of Seymour, and allotments 68n and 68h, Parish of Mangalore, County of Anglesey, in the State of Victoria, and containing six hundred and one acres and fifteen perches, or of such allotments and of such area as are now remaining in such lease and delineated on plans in the custody of the Board of Land and Works, subject to the payment of the rent stated in such lease and to the exceptions, conditions, and provisions therein contained: And whereas by the said lease it is among other things provided that the Governor of the said State, by and with the advice of the Executive Council of the same, may on behalf of His Majesty, his heirs, and successors, at any time during the currency of the said lease, enter upon the whole or any portion of the land hereby demised for the purpose of resuming the whole or any part of the same from time to time required for railway purposes: And whereas His Excellency the Lieutenant-Governor of the State of Victoria, by and with the advice of the Executive Council thereof, deems that possession of the part of the said allotment 7, section W, Parish of Seymour, County of Anglesey, and part of allotment 47, section 1, Parish of Tallarook, County of Anglesey, hereinafter set out and described, should be resumed, the same being required for railway purposes: Now, therefore, His Excellency the Lieutenant-Governor aforesaid, under the powers in that behalf reserved by the said lease and under all other powers him enabling doth hereby resume possession of the following part of the said allotments, as are set out in the Schedule hereunder.

THE SCHEDULE ABOVE REFERRED TO.

Firstly.—All that piece or parcel of land situate lying and being in the Parish of Seymour in the County of Anglesey in the State of Victoria, containing by admeasurement 63 acres and 27 perches, more or less, being part of allotment 7 of section W of the said parish, bounded as follows:—

Commencing at a point distant 432 $\frac{3}{10}$ links in a straight line bearing 24 deg. 19 min. from the most westerly corner of the said allotment 7; thence by part of the north-western boundary of the said allotment for 626 $\frac{5}{10}$ links in a straight line bearing 23 deg. 17 min. and for 5.074 links in a straight line bearing 15 deg. 35 min. and by part of the northern boundary of the said allotment for 1,319 $\frac{8}{10}$ links in a straight line bearing 72 deg. 2 $\frac{1}{2}$ min., and by part of the said allotment for 6,046 $\frac{5}{10}$ links in a straight line bearing 195 deg. 35 min., and by part of the southern boundary of the said allotment for 340 $\frac{1}{10}$ links in a straight line bearing 251 deg. 59 min., and by parts of the said allotment for 176 $\frac{3}{10}$ links in a straight line bearing 43 deg. 47 min., and for 309 $\frac{9}{10}$ links in a straight line bearing 15 deg. 35 min., and for 1,181 $\frac{8}{10}$ links in a straight line bearing 251 deg. 57 min. to the point of commencement.

Secondly.—All that piece or parcel of land situate lying and being in the Parish of Tallarook in the County of Anglesey in the State of Victoria, containing by admeasurement 20 acres 3 roods 4 perches, more or less, being part of allotment 47 of section 1 of the said parish, bounded as follows:—

Commencing at the south-western corner of the said allotment 47; thence by the western boundary of the said allotment for 1,887 links in a straight line bearing 15 deg. 34 min., and by part of the northern boundary of the said allotment for 1,141 $\frac{7}{10}$ links in a straight line bearing 90 deg. 11 min., and by part of the said allotment for 1,887 $\frac{2}{10}$ links in a straight line bearing 195 deg. 35 min., and by part of the southern boundary of the said allotment for 1,141 $\frac{1}{10}$ links in a straight line bearing 270 deg. 11 min. to the point of commencement.

And the Honorable Leslie William Galvin, His Majesty's Commissioner of Crown Lands and Survey for the State of Victoria, shall give the necessary directions herein accordingly

C. W. KINSMAN,
Clerk of the Executive Council.

Apprenticeship Acts.

APPRENTICESHIP COMMISSION OF VICTORIA.

At the Executive Council Chamber, Melbourne, the tenth day of September, 1946.

PRESENT:

His Excellency the Lieutenant-Governor of Victoria.
Mr. McKenzie | Mr. Clarey.

AMENDMENT OF PLUMBING AND GASFITTING REGULATIONS (Nos. 2 and 3).

IN pursuance of the powers conferred by the Apprenticeship Acts and the *Acts Interpretation Act 1928*, His Excellency the Lieutenant-Governor of the State of Victoria, by and with the advice of the Executive Council thereof, doth hereby make the following Regulations (that is to say):—

1. Regulation 4 of the Plumbing and Gasfitting Regulations (No. 3) shall be and the same is hereby rescinded as from the beginning of the first pay period to commence in June, 1946.

2. Such rescission shall not affect any right accrued or accruing to any person, or any liability of any person under the said rescinded Regulation before the commencement of these Regulations.

3. For the said rescinded Regulation substitute the following:—

“4. The minimum rates of pay to be paid as wages to apprentices in the said trades in each year of their apprenticeship course shall be as follows:—

(a) as from the beginning of the first pay period to commence in June, 1946, until the beginning of the first pay period to commence in August, 1946—

1. With respect to the term of apprenticeship of six years—
 - 1st year—at the rate of 27s. 6d. per week.
 - 2nd year—at the rate of 37s. 6d. per week.
 - 3rd year—at the rate of 52s. 6d. per week.
 - 4th year—at the rate of 72s. 6d. per week.
 - 5th year—at the rate of 95s. 0d. per week.
 - 6th year—at the rate of 125s. 0d. per week.
2. With respect to the term of apprenticeship of five years—
 - 1st year—at the rate of 27s. 6d. per week.
 - 2nd year—at the rate of 37s. 6d. per week.
 - 3rd year—at the rate of 52s. 6d. per week.
 - 4th year—at the rate of 72s. 6d. per week.
 - 5th year—at the rate of 95s. 0d. per week.

(b) as from the beginning of the first pay period to commence in August, 1946—

1. With respect to the term of apprenticeship of six years—
 - 1st year—at the rate of 28s. 0d. per week.
 - 2nd year—at the rate of 38s. 0d. per week.
 - 3rd year—at the rate of 53s. 0d. per week.
 - 4th year—at the rate of 73s. 0d. per week.
 - 5th year—at the rate of 96s. 0d. per week.
 - 6th year—at the rate of 126s. 0d. per week.
2. With respect to the term of apprenticeship of five years—
 - 1st year—at the rate of 28s. 0d. per week.
 - 2nd year—at the rate of 38s. 0d. per week.
 - 3rd year—at the rate of 53s. 0d. per week.
 - 4th year—at the rate of 73s. 0d. per week.
 - 5th year—at the rate of 96s. 0d. per week.”

All indentures of apprenticeship heretofore executed under the provisions of the Acts and the Regulations made in respect of the aforesaid trades shall be deemed to be amended accordingly.

4. For Regulation 4 of the said Plumbing and Gasfitting Regulations (No. 2)—term of apprenticeship—substitute the following:—

“The term of apprenticeship in each of the said trades for apprentices who commenced their apprenticeship on, from, and after the 1st day of June, 1946, shall be five years.”

AMENDMENT OF PLASTERING REGULATIONS (No. 2).

IN pursuance of the powers conferred by the Apprenticeship Acts and the *Acts Interpretation Act 1928*, His Excellency the Lieutenant-Governor of the State of Victoria, by and with the advice of the Executive Council thereof, doth hereby make the following Regulations (that is to say):—

1. Regulation 8 of the Plastering Regulations (No. 2) shall be, and the same is hereby rescinded as from the beginning of the first pay period to commence in June, 1946.

2. Such rescission shall not affect any right accrued or accruing to any person, or any liability of any person under the said rescinded Regulation before the commencement of these Regulations.

3. For the said rescinded Regulation substitute the following:—

“ 8. The minimum rates of pay to be paid as wages to apprentices in the said trades in each year of their apprenticeship course shall be as follows:—

(a) as from the beginning of the first pay period to commence in June, 1946, until the beginning of the first pay period to commence in August, 1946—

1. With respect to the term of apprenticeship of six years—

- 1st year—at the rate of 27s. 6d. per week.
- 2nd year—at the rate of 37s. 6d. per week.
- 3rd year—at the rate of 52s. 6d. per week.
- 4th year—at the rate of 72s. 6d. per week.
- 5th year—at the rate of 95s. 0d. per week.
- 6th year—at the rate of 125s. 0d. per week.

2. With respect to the term of apprenticeship of five years—

- 1st year—at the rate of 27s. 6d. per week.
- 2nd year—at the rate of 37s. 6d. per week.
- 3rd year—at the rate of 52s. 6d. per week.
- 4th year—at the rate of 72s. 6d. per week.
- 5th year—at the rate of 95s. 0d. per week.

(b) as from the beginning of the first pay period to commence in August, 1946—

1. With respect to the term of apprenticeship of six years—

- 1st year—at the rate of 28s. 0d. per week.
- 2nd year—at the rate of 38s. 0d. per week.
- 3rd year—at the rate of 53s. 0d. per week.
- 4th year—at the rate of 73s. 0d. per week.
- 5th year—at the rate of 96s. 0d. per week.
- 6th year—at the rate of 126s. 0d. per week.

2. With respect to the term of apprenticeship of five years—

- 1st year—at the rate of 28s. 0d. per week.
- 2nd year—at the rate of 38s. 0d. per week.
- 3rd year—at the rate of 53s. 0d. per week.
- 4th year—at the rate of 73s. 0d. per week.
- 5th year—at the rate of 96s. 0d. per week.”

All indentures of apprenticeship heretofore executed under the provisions of the Acts and the Regulations made in respect of the aforesaid trade shall be deemed to be amended accordingly.

4. For Regulation 4 of the said Plastering Regulations (No. 2)—term of apprenticeship—substitute the following:—

“The term of apprenticeship in the said trade for apprentices who commenced their apprenticeship on, from, and after the 1st day of June, 1946, shall be five years.”

AMENDMENT OF CARPENTRY AND JOINERY REGULATIONS (No. 2).

IN pursuance of the powers conferred by the Apprenticeship Acts and the *Acts Interpretation Act 1928*, His Excellency the Lieutenant-Governor of the State of Victoria, by and with the advice of the Executive Council thereof, doth hereby make the following Regulations (that is to say):—

1. Regulation 8 of the Carpentry and Joinery Regulations (No. 2) shall be and the same is hereby rescinded as from the beginning of the first pay period to commence in June, 1946.

2. Such rescission shall not affect any right accrued or accruing to any person, or any liability of any person under the said rescinded Regulation before the commencement of these Regulations.

3. For the said rescinded Regulation substitute the following:—

“ 8. The minimum rates of pay to be paid as wages to apprentices in the said trades in each year of their apprenticeship course shall be as follows:—

(a) as from the beginning of the first pay period to commence in June, 1946, until the beginning of the first pay period to commence in August, 1946—

- 1st year—at the rate of 27s. 6d. per week.
- 2nd year—at the rate of 37s. 6d. per week.
- 3rd year—at the rate of 52s. 6d. per week.
- 4th year—at the rate of 72s. 6d. per week.
- 5th year—at the rate of 95s. 0d. per week.

(b) as from the beginning of the first pay period to commence in August, 1946—

- 1st year—at the rate of 28s. 0d. per week.
- 2nd year—at the rate of 38s. 0d. per week.
- 3rd year—at the rate of 53s. 0d. per week.
- 4th year—at the rate of 73s. 0d. per week.
- 5th year—at the rate of 96s. 0d. per week.”

All indentures of apprenticeship heretofore executed under the provisions of the Acts and the Regulations made in respect of the aforesaid trade shall be deemed to be amended accordingly.

AMENDMENT OF PAINTING, DECORATING, AND SIGNWRITING REGULATIONS (No. 2).

IN pursuance of the powers conferred by the Apprenticeship Acts and the *Acts Interpretation Act 1928*, His Excellency the Lieutenant-Governor of the State of Victoria, by and with the advice of the Executive Council thereof, doth hereby make the following Regulations (that is to say):—

1. Regulation 8 of the Painting, Decorating, and Signwriting Regulations (No. 2) shall be and the same is hereby rescinded as from the beginning of the first pay period to commence in June, 1946.

2. Such rescission shall not affect any right accrued or accruing to any person or any liability of any person under the said rescinded Regulation before the commencement of these Regulations.

3. For the said rescinded Regulation substitute the following:—

“ 8. The minimum rates of pay to be paid as wages to apprentices in the said trades in each year of their apprenticeship course shall be as follows:—

(a) as from the beginning of the first pay period to commence in June, 1946, until the beginning of the first pay period to commence in August, 1946—

- 1st year—at the rate of 27s. 6d. per week.
- 2nd year—at the rate of 37s. 6d. per week.
- 3rd year—at the rate of 52s. 6d. per week.
- 4th year—at the rate of 72s. 6d. per week.
- 5th year—at the rate of 95s. 0d. per week.

(b) as from the beginning of the first pay period to commence in August, 1946—

- 1st year—at the rate of 28s. 0d. per week.
- 2nd year—at the rate of 38s. 0d. per week.
- 3rd year—at the rate of 53s. 0d. per week.
- 4th year—at the rate of 73s. 0d. per week.
- 5th year—at the rate of 96s. 0d. per week.”

All indentures of apprenticeship heretofore executed under the provisions of the Acts and the Regulations made in respect of the aforesaid trades shall be deemed to be amended accordingly.

And the Honorable Percy James Clarey, His Majesty's Minister of Labour for the State of Victoria, shall give the necessary directions herein accordingly.

C. W. KINSMAN,
Clerk of the Executive Council.

MILK AND DAIRY SUPERVISION ACT 1928 (No. 3736).

At the Executive Council Chamber, Melbourne, the
tenth day of September, 1946.

PRESENT:

His Excellency the Lieutenant-Governor of Victoria.
Mr. McKenzie | Mr. Clarey.

ORDER IN COUNCIL PROHIBITING THE KEEPING, GRAZING, OR MILKING OF COWS WITHIN A CERTAIN AREA OF THE MUNICIPAL DISTRICT OF THE CITY OF MOORABBIN.

WHEREAS by section 67 of the *Milk and Dairy Supervision Act 1928* (No. 3736), the Governor in Council is empowered on the application of the Council of any municipal district, whether wholly or partly within a milk area or not, if approved by the Minister to prohibit any person keeping, grazing, or milking cows on any part or parts or in any part of such area or district: And whereas the Council of the municipal district of the City of Moorabbin has applied to the Governor in Council to prohibit any person keeping, grazing, or milking cows on or in that part of the municipality as set out hereunder (that is to say):—

Commencing at the south-west corner of McKinnon-road and Tucker-road; thence north along the western building line of Tucker-road to a point 150 feet south of Walnut-street; thence westerly and parallel to Walnut-street to a point 132 feet east of Hall-street; thence south along a line 132 feet east of and parallel to Hall-street to McKinnon-road; thence easterly along the south building line of McKinnon-road to the commencing point.

And whereas the Minister administering for the time being the *Milk and Dairy Supervision Act 1928* (No. 3736), has approved of such application to prohibit as aforesaid.

Now therefore His Excellency the Lieutenant-Governor of the State of Victoria, by and with the advice of the Executive Council of the State of Victoria, doth by this Order prohibit any person, on and after the first day of October, 1946, keeping, grazing, or milking cows on any part or parts or in any part of such area of the municipal district of the City of Moorabbin aforesaid.

And the Honorable William George McKenzie, His Majesty's Minister of Agriculture for the State of Victoria, shall give the necessary directions herein accordingly.

C. W. KINSMAN,
Clerk of the Executive Council.

WHEAT MARKETING (WINDING UP) ACT 1924
(No. 3338).

At the Executive Council Chamber, Melbourne, the
tenth day of September, 1946.

PRESENT:

His Excellency the Lieutenant-Governor of Victoria.
Mr. McKenzie | Mr. Clarey.

MONEYS APPLIED TO WALPEUP RESEARCH STATION.

WHEREAS by section (2) of the *Wheat Marketing (Winding Up) Act 1924*, provision is made for the establishment of a fund to be called the Wheat Marketing Fund, and in subsection (4) of the said section that the whole or any part of the moneys standing to the credit of the said fund may be invested in Victorian Government securities and, together with any interest thereon, may, in such manner as the Governor in Council from time to time directs, be applied towards any educational, scientific, or experimental purposes likely to promote the production of wheat in Victoria.

Now therefore His Excellency the Lieutenant-Governor of the State of Victoria, by and with the advice of the Executive Council thereof, doth hereby direct that the sum of One thousand five hundred and seventy pounds (£1,570) of the said fund be applied for the purchase of allotment 2, Parish of Katkyoong, for the purpose of adding to the Mallee Research Station, Walpeup.

And the Honorable William George McKenzie, His Majesty's Minister of Agriculture for the State of Victoria, shall give the necessary directions herein accordingly.

C. W. KINSMAN,
Clerk of the Executive Council.

BREAD TRADE INQUIRY BOARD.

At the Executive Council Chamber, Melbourne, the
seventeenth day of September, 1946.

PRESENT:

His Excellency the Lieutenant-Governor of Victoria.
Mr. Galvin | Mr. Coleman.

WHEREAS it is deemed expedient to appoint a Board to examine certain matters relating to the manufacture and distribution of bread:

Now therefore His Excellency the Lieutenant-Governor of the State of Victoria, in the Commonwealth of Australia, by and with the advice of the Executive Council of the said State, doth by this Order constitute and appoint—

The Honorable GORDON CHARLES WEBBER,
JAMES JOSEPH KEOGH,
HENRY JAMES MAYNARD,
Mrs. CHARLOTTE ANNE MOLONEY,
Miss RACHEL ROBINSON, and
RICHARD MAYSTON WILLDRIDGE,

to be a Board, called the Bread Trade Inquiry Board, to inquire into and report upon—

- (1) (a) the hygiene, sanitation, lighting, and ventilation of premises used for the manufacture of bread;
- (b) the cleanliness and suitability of vehicles used in the distribution of bread;
- (c) the personal hygiene of persons engaged in the manufacture, distribution, or sale of bread;
- (d) the hygienic handling of bread.
- (2) Whether the present quality of bread might be improved and, if so, by what means.
- (3) Whether the Bakers and Millers Acts should be amended to provide—
 - (a) a definition of "bread";
 - (b) that the varieties of bread should be standardized; and
 - (c) that the present system of weighing bread should be revised.
- (4) Whether a system of zoning of bread deliveries which will provide consumers with a reasonable choice of suppliers should operate and, if so, what system.
- (5) Whether a system of licensing should be established for persons engaged in the manufacture, distribution, or sale of bread and, if so, what system.
- (6) What action, if any, is necessary to prevent the growth of a monopoly in the industry.
- (7) Whether there is on the part of the millers any unreasonable refusal to make supplies of flour available to bakers and, if so, what preventive measures are recommended.
- (8) Whether discharged service personnel or other persons are being unduly hampered in commencing business within the industry and, if so, what remedial measures should be adopted.
- (9) What effect the recommendations concerning the foregoing matters of inquiry would, if carried into effect, have upon the price of bread to the consumer.
- (10) Whether an authority should be established to carry out any recommendations with regard to the foregoing matters, and, if so, what should be the constitution of any such authority.

And the aforesaid Gordon Charles Webber is hereby appointed Chairman of the said Board: And the said Board shall have full power and authority to call before them, or any four of them, any person whose evidence, in the judgment of the Board, or of any member thereof, is material to the subject matter of the inquiry to be made by the Board, and to inquire of and concerning the premises by all other lawful means whatsoever: And it is hereby directed that the said Gordon Charles Webber, James Joseph Keogh, Henry James Maynard, Charlotte Anne Moloney, Rachel Robinson, and Richard Mayston Willdridge shall, with as little delay as possible, report under their hands their opinions resulting from this inquiry:

Whereof the said Gordon Charles Webber, James Joseph Keogh, Henry James Maynard, Charlotte Anne Moloney, Rachel Robinson, and Richard Mayston Willdridge, and all other persons whom it may concern, are to take notice and govern themselves accordingly.

And the Honorable William Slater, His Majesty's Chief Secretary for the State of Victoria, shall give the necessary directions herein accordingly.

C. W. KINSMAN,
Clerk of the Executive Council.

FACTORIES AND SHOPS ACTS.

At the Executive Council Chamber, Melbourne, the seventeenth day of September, 1946.

PRESENT:

His Excellency the Lieutenant-Governor of Victoria.

Mr. Galvin | Mr. Coleman.

SEWAGE DISTRIBUTION BOARD.—VARIATION OF APPOINTMENT ORDER.

WHEREAS, in pursuance of the provisions of the Factories and Shops Acts for the time being in force, the Governor in Council did by Order appoint a Wages Board described as the Sewage Distribution Board: And whereas it is expedient to vary the powers of the said Board in the manner hereafter appearing: Now therefore His Excellency the Lieutenant-Governor of the State of Victoria, by and with the advice of the Executive Council thereof, under the powers in that behalf conferred by the Factories and Shops Acts, doth hereby vary the said Order accordingly so that in substitution for the powers thereby conferred, the said Sewage Distribution Board shall be given the following powers, that is to say:—

To determine the lowest prices or rates which may be paid to—

any person or persons or classes of person employed—

(a) in the process, trade, business, or occupation of distributing sewage or effluent from channels or treatment tanks;

(b) at or about tanks at sewage treatment works.

RE-DEFINITION OF AREA OR LOCALITY WITHIN WHICH THE DETERMINATION OF THE SHOPS BOARD No. 2 (BOOT REPAIRERS) SHALL BE OPERATIVE.

UNDER the powers in that behalf conferred by the Factories and Shops Acts, His Excellency the Lieutenant-Governor of the State of Victoria, by and with the advice of the Executive Council thereof, doth hereby make the following Order, that is to say:—

The area or locality within which the Determination of the Shops Board No. 2 (Boot Repairers) shall be operative shall be the whole of the State of Victoria.

And the Honorable Percy James Clarey, His Majesty's Minister of Labour and Employment for the State of Victoria, shall give the necessary directions herein accordingly.

C. W. KINSMAN,
Clerk of the Executive Council.

CHILDREN'S WELFARE ACT 1928, SECTION 62.

At the Executive Council Chamber, Melbourne, the seventeenth day of September, 1946.

PRESENT:

His Excellency the Lieutenant-Governor of Victoria.

Mr. Galvin | Mr. Coleman.

MANAGER APPROVED.

PURSUANT to the provisions of section 62 of the *Children's Welfare Act 1928*, His Excellency the Lieutenant-Governor of the State of Victoria, in the Commonwealth of Australia, by and with the advice of the Executive Council of the said State, doth, by this Order, approve the Reverend Alec Wheaton Pederick as Manager of the Methodist Homes for Children and of the Methodist Babies' Home, *vice* Thomas Craik Rentoul, deceased.

And the Honorable William Slater, His Majesty's Chief Secretary for the State of Victoria, shall give the necessary directions herein accordingly.

C. W. KINSMAN,
Clerk of the Executive Council.

POLICE REGULATION ACTS.

At the Executive Council Chamber, Melbourne, the seventeenth day of September, 1946.

PRESENT:

His Excellency the Lieutenant-Governor of Victoria.

Mr. Galvin | Mr. Coleman.

WHEREAS, by section sixty-four of the *Police Regulation Act 1928*, as re-enacted by section 22 of the *Police Regulation Act 1946*, it is amongst other things enacted that any member of the Police Force who is aggrieved—

(a) by any decision of the Police Discipline Board or of the Chief Commissioner under this Part; or

(b) by any transfer for which he has not applied and which adversely affects his enrolment or position in the Force—

may appeal to a judge of county courts nominated (whether generally or in any particular case) by the Governor in Council:

Now therefore, His Excellency the Lieutenant-Governor of the State of Victoria in the Commonwealth of Australia, by and with the advice of the Executive Council of the said State, doth by this Order nominate His Honour Judge George Leo Dethridge as the judge of county courts to whom any member of the Force aggrieved as aforesaid may appeal accordingly.

And the Honorable William Slater, His Majesty's Chief Secretary for the State of Victoria, shall give the necessary directions herein accordingly.

C. W. KINSMAN,
Clerk of the Executive Council.

CHILDREN'S WELFARE ACT 1928.

At the Executive Council Chamber, Melbourne, the seventeenth day of September, 1946.

PRESENT:

His Excellency the Lieutenant-Governor of Victoria.

Mr. Galvin | Mr. Coleman.

APPROVAL OF INSTITUTION TO HAVE THE CARE OF NEGLECTED CHILDREN AND OF MANAGER THEREOF.

PURSUANT to the provisions of sections 61 and 62 of the *Children's Welfare Act 1928*, His Excellency the Lieutenant-Governor of the State of Victoria, in the Commonwealth of Australia, by and with the advice of the Executive Council of the said State, doth by this Order:—

1. Revoke the Order in Council made on the 30th June, 1925, and published in the *Government Gazette* of the 8th July, 1925, approving the Church of England Homes for Boys (St. Martin's Home for Boys, Auburn, and St. John Evangelist's Home for Boys, Canterbury) as institutions to whose care neglected children may be committed, under the provisions of Part VIII. of the *Neglected Children's Act 1915*.

2. Approve the St. John's Home for Boys, Canterbury, as an institution to whose care neglected children may be committed, under the provisions of Part I. of the *Children's Welfare Act 1928*, and approve the Reverend Neale Gordon Molloy as manager of the said institution.

And the Honorable William Slater, His Majesty's Chief Secretary for the State of Victoria, shall give the necessary directions herein accordingly.

C. W. KINSMAN,
Clerk of the Executive Council.

APPROACHING LAND SALES.

SALES of Crown lands, in fee-simple, will be held at the under-mentioned places and dates, viz.:—

	No. of Gazette.
Alexandra.—Friday, 4th October, 1946	.. 175
Morwell.—Tuesday, 24th September, 1946	.. 175
Lands and Survey Office, Melbourne.	

LIST OF CROWN LANDS AVAILABLE.

THE under-mentioned areas are available for application as provided by various sections of the *Land Act 1928*, and all applications received on or before Wednesday, 16th October, 1946, will be deemed to have been simultaneously made, but any application lodged after such date may be considered if received in time for inclusion in the advertisement of the cases to be heard at the Local Land Board. Applications on proper form, accompanied by 5s. duty stamp uncancelled (registration fee), may be delivered or forwarded by post to the Local Land Officer or to any Crown Lands Office in Victoria. Applicants may obtain from Local Land Officers, or the Enquiry Office, Lands Department, Melbourne, a certificate authorizing the issue by the Railway Department of a return ticket at concession fares to enable them to inspect available areas or to attend Local Land Boards. When an applicant is granted an allotment he may, if travelling by rail, obtain reduced fares for his family and also freight concessions in regard to some of his effects.

Subject to the approval of the Minister, when the survey fee exceeds £10, a deposit of £5 may be paid, and the balance over six years in half-yearly instalments. Marked plans of any particular area, application forms, and any further information may be obtained from the Enquiry Office, Lands Department, Melbourne, and Land Officer, Horsham.

Local Land Office.	County.	Parish.	Allotment.	Section.	Area.	How available.		Survey Fee.	Valuation of improvements (if any).	Location of Land, &c.	Nearest Railway Station or Township and Distance in miles therefrom.	How accessible.	Water Supply.	General Description of Land.—Soil, Timber, Suitability (Grazing, &c.).	
						Classification.	Value per Acre.								
		A. R. P.		£ s. d.		£ s. d.									
Horsham (a)	Lowan	Connango-rach	Western pts. of 78 and 79	..	780 0 0	4th	0 10 0	20 15 0	To be valued	In the south-east of parish	Toledo, about 12 miles	By road ..	To be conserved	Undulating country, sandy loam, timbered with red gum and scrub. Suitable for grazing. Z.26862.	
Horsham (a)	Lowan	Tallageira	58A	..	330 0 0	3rd	0 10 0	11 15 0	To be valued. Rebase W.N. 5211 and 12447	In the north-west of parish	Binnun (S.A.) R.S., about 5 miles	By road ..	To be conserved	Grey sandy soil, stringy bark and bracken. O.277/121.	

(a) Subject to survey.

Department of Crown Lands and Survey, Melbourne, 12th September, 1946.

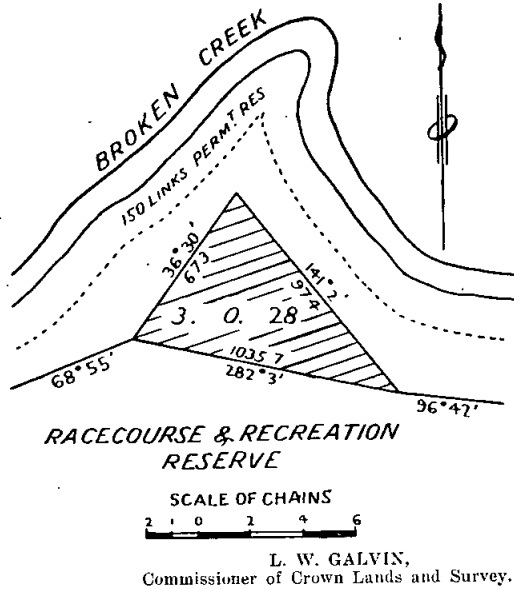
L. W. GALVIN,
Commissioner of Crown Lands and Survey.

PROPOSED REVOCATION OF TEMPORARY RESERVATION OF LAND BY ORDER IN COUNCIL.

IN pursuance of the provisions of the *Land Act 1928*, notice is hereby given that it is the intention of the Governor in Council to revoke the temporary reservation of land by Orders in Council hereunder referred to, viz.:—

The following Notice was published 1° on the 28th August, 1946, pursuant to Order of the 20th August, 1946.

NUMURKAH.—The Order in Council of the 4th of July, 1906, temporarily reserving 112 acres 3 roods and 24 perches of land in the township of Numurkah as a site for a Racecourse and other purposes of Public Recreation, is about to be revoked, so far as regards the portion indicated by hachure on plan hereunder.—(Benalla T.P.17A) (Rs.1506).

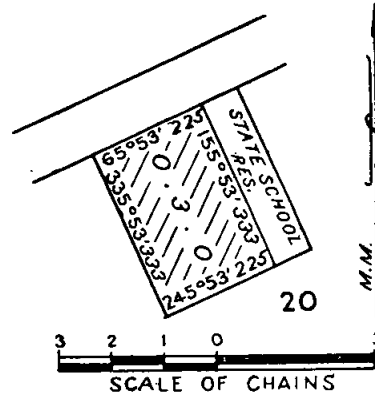


PROPOSED REVOCATION OF TEMPORARY RESERVATIONS OF LANDS BY ORDERS IN COUNCIL.

IN pursuance of the provisions of the *Land Act 1928*, notice is hereby given that it is the intention of the Governor in Council to revoke the temporary reservations of lands by Orders in Council hereunder referred to, viz.:—

The following Notices were published 1° on the 11th September, 1946, pursuant to Orders of the 3rd September, 1946.

MARDAN.—The Order in Council of the 26th October, 1903, temporarily reserving 1 acre of land in the Parish of Mardan as a site for a State School is about to be revoked so far only as regards the portion thereof as indicated by hachure on plan hereunder.—(M.524(4) (C.88146).



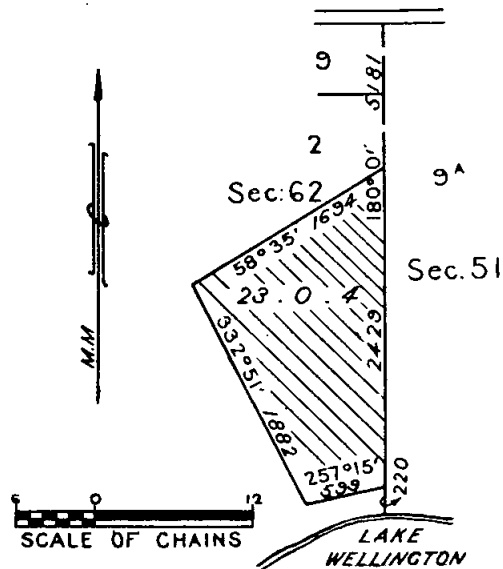
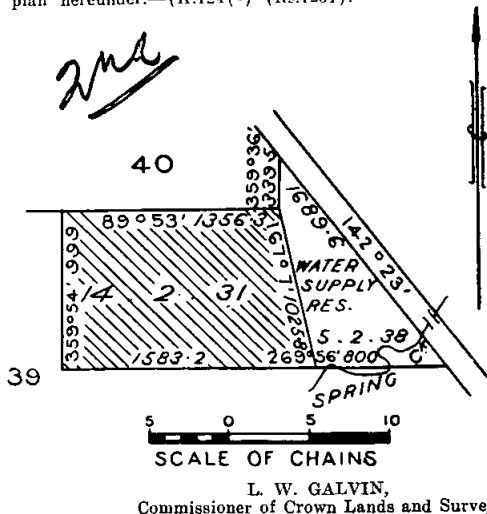
MEERLIEU.—The Order in Council of the 2nd of February, 1880, *Gazette* 80/326, withholding from leasing or licensing 422 acres of land in the Parish of Meerlieu, being allotments 1 and 2 of section 62, revoked as to part by Order of 16th August, 1886, *Gazette* 86/2426, is about to be further revoked so far only as regards the portion indicated by hachure on plan hereunder.—(M.413(6) (H.017655).

PROPOSED REVOCATION OF TEMPORARY RESERVATION OF LAND BY ORDER IN COUNCIL.

IN pursuance of the provisions of the *Land Act 1928*, notice is hereby given that it is the intention of the Governor in Council to revoke the temporary reservation of land by Order in Council hereunder referred to, viz.:—

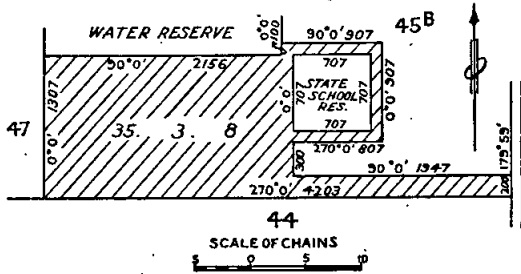
The following Notice was published 1° on the 11th September, 1946, pursuant to Order of the 13th August, 1946.

KILLAWARRA.—The Order in Council of the 23rd March, 1911, temporarily reserving 20 acres 1 rood 30 perches of land in the Parish of Killawarra, as a site for Water Supply purposes is about to be revoked so far as regards the portion thereof comprising 14 acres 2 roods 31 perches, as indicated by hachure on plan hereunder.—(K.124(3) (Rs.1251).



NI NI.—The Order in Council of the 20th of November, 1882, temporarily reserving as a site for Conservation of Water, and withholding from sale, leasing, and licensing 163 acres and 22 perches of land in the Parish of Ni Ni, being part of allotment 45, revoked as to part by Orders of

the 21st of October, 1889, and the 25th of October, 1927, is about to be revoked so far only as regards the portion indicated by hachure on plan hereunder.—(N.124(2) (Rs.5810).



HAMILTON.—The Order in Council of the 8th of May, 1888, temporarily reserving 4 acres and 1 rood of land in the Town of Hamilton as a site for Hospital purposes in addition to the site permanently reserved therefor by Order in Council of the 7th of July, 1873, is about to be revoked.—(H.45(2) (Rs.3454).

St. ARNAUD.—The Orders in Council of the 21st of June, 1872, 17th of October, 1885, and 16th of April, 1937, temporarily reserving, respectively, 5 acres of land in the Town of St. Arnaud as a site for Showyards for the use of the St. Arnaud Pastoral and Agricultural Society, 5 acres of land as an addition thereto, and both sites for the additional purpose of Public Recreation, are about to be revoked.—(S.206(*) (Rs.663).

L. W. GALVIN,
Commissioner of Crown Lands and Survey.

HEARING OF REASONS AGAINST THE FORFEITURE OF CERTAIN LICENCES AND LEASES BY A PERSON APPOINTED UNDER 34TH SECTION OF THE LAND ACT 1928.

NOTICE is hereby given that reasons against the forfeiture of the licences and leases in the Schedule hereto, which are deemed liable to forfeiture under the provisions of the Land Acts, will be publicly heard by the person appointed by me, the responsible Minister of the Crown administering the said Acts, to hear the same and report thereon in writing to me, when the persons in the said Schedule mentioned as holders of such licences and leases will be allowed to show cause against the same at the places and on the dates mentioned in the Schedule hereto.

L. W. GALVIN,
Commissioner of Crown Lands and Survey,
Department of Lands and Survey,
Melbourne, 16th September, 1946.

SCHEDULE.

LANDS DEPARTMENT. MELBOURNE. at 10.30 a.m., 2nd October, 1946, K. A. McAllister—
109/44, N. Gibson, 35 acres, Marong; 121/44, J. T. Stokes, 87 acres, Billian; 220/46-49, E. J. Brady, 363 acres, Malleacoota; 0247/5456, O. Yuncken, 594 acres, Wuk Wuk.

TENDERS.

TENDERS will be received at this office until TEN A.M. on the days and for the purposes under mentioned.

Particulars may be learnt at this office, and also at the offices named in each instance.

The Board of Land and Works will not necessarily accept the lowest or any tender.

24th September, 1946.

Avenel.—Repairs and painting, Police Station. Particulars at Inspector of Works Offices, Benalla, Wangaratta; Police Stations, Avenel, Euroa. Deposit, £4.

Bairnsdale.—Erection of police offices in brick, Police Station. Particulars at Inspector of Works Office, Bairnsdale; Police Stations, Bairnsdale, Sale. Preliminary deposit, £15. Final deposit, 2 per cent.

Ballarat.—Supply and delivery of motor-driven bread cutter, Mental Hospital. Deposit, £2.

Ballendella.—Repairs, painting, and internal renovations, residence, State School No. 3732. Particulars at Inspector of Works Office, Bendigo; Police Stations, Echuca, Rochester; State School, Ballendella. Deposit, £3.

Collingwood.—Electro-plating workshop, Technical School. Preliminary deposit, £100. Final deposit, 2 per cent.

Dalyston.—Painting and repairs, State School No. 3376. Particulars at Inspector of Works Office, Korumburra; Police Stations, Leongatha, Wonthaggi; State School, Dalyston. Preliminary deposit, £5. Final deposit, 2 per cent.

Elwood.—Repairs to roof and shelter pavilions, Central School No. 3042. Particulars at Central School, Elwood. Deposit, £4.

Euroa.—Removal, re-building, and extension of out-offices with septic tank installation, State School No 1706. Particulars at Inspector of Works Offices, Benalla, Wangaratta; State School, Euroa. Preliminary deposit, £10. Final deposit, 2 per cent.

Goroke.—New timber residence, office, and out-buildings, Police Station. Particulars at Inspector of Works Offices, Horsham, Stawell; Police Stations, Goroke, Nhill. Preliminary deposit, £15. Final deposit, 2 per cent.

Heidelberg West.—Painting and repairs, State School No. 4267. Deposit, £4.

Lakes Entrance.—Cartage of stone from Mississippi Creek Quarry to Eastern Wharf, Foreshore Protection. Particulars at Inspector of Works Office, Bairnsdale; Public Works Department Office, Lakes Entrance. Final deposit, £20.

Melbourne.—Remodelling and additions, Maternal and Child Hygiene Branch, Clinic Buildings, 372 Mint-place. Preliminary deposit, £25. Final deposit, 2 per cent.

Melbourne.—Supply and installation of fluorescent lighting equipment, Housing Commission, 107 Russell-street. Preliminary deposit, £4. Final deposit, 2 per cent.

Melbourne.—Supply and installation of cold cathode fluorescent lighting equipment, new extension, Emily McPherson College of Domestic Economy. Preliminary deposit, £3. Final deposit, 2 per cent.

Miner's Rest.—Additions, repairs, and painting, State School No. 1739. Particulars at Inspector of Works Office, Ballarat; State School, Miner's Rest. Preliminary deposit, £10. Final deposit, 2 per cent.

Nanneella West.—Repairs and painting, State School No. 3879. Particulars at Inspector of Works Offices, Bendigo, Shepparton; Police Stations, Echuca, Rochester. Preliminary deposit, £4. Final deposit, 2 per cent.

Narre Warren.—General repairs and painting, State School No. 2924. Particulars at Police Station, Dandenong; State School, Narre Warren. Deposit, £4.

Orbost.—Additions, Higher Elementary School No. 2744. Particulars at Inspector of Works Office, Bairnsdale; Police Station, Sale; Higher Elementary School, Orbost. Preliminary deposit, £50. Final deposit, 2 per cent. (Amended specification.)

South Melbourne.—Alterations, additions, and painting, J. H. Boyd College of Domestic Economy. Deposit, £5.

Stawell.—Erection of Rehabilitation Training Unit, Technical School. Particulars at Inspector of Works Offices, Ballarat, Stawell; Police Station, Ararat. Preliminary deposit, £25. Final deposit, 2 per cent.

Sunbury.—Supply and installation of hot-water service for male staff block, Mental Hospital. Particulars at Police Station, Sunbury. Preliminary deposit, £4. Final deposit, 2 per cent.

Yannathan.—Repairs and painting, school and residence, State School No. 2422. Particulars at Police Stations, Loch, Warragul; State School, Yannathan. Deposit, £5.

Yering.—Repairs, painting, and new wash-house and store-room, school and residence, State School No. 1034. Particulars at Police Stations, Healesville, Lilydale; State School, Yering. Preliminary deposit, £4. Final deposit, 2 per cent.

1st October, 1946.

Apollo Bay.—Purchase of waste timber, Jetty. Particulars at Police Station, Apollo Bay. Preliminary deposit, £1. Final deposit, full amount of purchase money.

Bayswater.—Erection of new wood shed, painting and repairs, State School No. 2163. Particulars at State School, Bayswater. Deposit, £4.

Bendigo.—Supply and installation of one mill exhaust system, School of Mines. Particulars at Inspector of Works Office, Bendigo. Preliminary deposit, £5. Final deposit, 2 per cent.

Buln Buln.—Repairs to school and residence, State School No. 2017. Particulars at Inspector of Works Office, Bairnsdale; Police Stations, Moe, Warragul; State School, Buln Buln. Preliminary deposit, £4. Final deposit, 2 per cent.

Burnley.—Supply and delivery of one (1) commercial type electric refrigerator, School of Primary Agriculture, Horticultural Gardens. Preliminary deposit, £3. Final deposit, 2 per cent.

Coburg.—Erection of brick residences, Pentridge. Preliminary deposit, £50. Final deposit, 2 per cent. (Amended specification.)

Elmore.—Erection of new out-offices, septic tank and sewerage installation, State School No. 1515. Particulars at Inspector of Works Offices, Bendigo, Shepparton; Police Station, Echuca; State School, Elmore. Preliminary deposit, £15. Final deposit, 2 per cent.

Footscray.—Supply and installation of cold cathode fluorescent lighting equipment, Technical School, Nicholson-street. Preliminary deposit, £4. Final deposit, 2 per cent.

Geelong.—Repairs and painting and new brick lavatory, Matthew Flinders Girls' School. Particulars at Inspector of Works Office, Geelong. Preliminary deposit, £10. Final deposit, 2 per cent.

Jeparit.—Erection of new residence, office, &c., Police Station. Particulars at Inspector of Works Office, Horsham; Police Stations, Jeparit, Nhill. Preliminary deposit, £15. Final deposit, 2 per cent.

Lakes Entrance.—Repairs and painting, State School No. 2672. Particulars at Inspector of Works Office, Bairnsdale; Police Station, Orbost; State School, Lakes Entrance. Preliminary deposit, £5. Final deposit, 2 per cent.

Lake Tyers.—Repairs to teacher's residence, Aboriginal Station. Particulars at Inspector of Works Office, Bairnsdale; Police Station, Orbost; Aboriginal Station, Lake Tyers. Preliminary deposit, £4. Final deposit, 2 per cent.

Mardan.—General repairs and painting, State School No. 2516. Particulars at Inspector of Works Office, Korumburra; Police Stations, Mirboo North, Traralgon; State School, Mardan. Preliminary deposit, £5. Final deposit, 2 per cent.

Muckatah.—Remodelling School building, State School No. 2496. Particulars at Inspector of Works Office, Shepparton; Police Stations, Cobram, Numurkah; State School, Muckatah. Preliminary deposit, £5. Final deposit, 2 per cent.

Nagambie.—New sleep-out and bathroom, repairs, and renovations, school and residence, State School No. 1104. Particulars at Inspector of Works Office, Shepparton; Police Stations, Murchison, Tatura; State School, Nagambie. Preliminary deposit, £5. Final deposit, 2 per cent.

Queenstown.—Repairs, painting, &c., and provision of new out-office at residence, State School No. 128. Particulars at Police Station, Hurstbridge; State School, Queenstown. Preliminary deposit, £5. Final deposit, 2 per cent.

Rosebrook.—Repairs and painting, State School No. 526. Particulars at Inspector of Works Offices, Hamilton, Warrnambool; Police Station, Port Fairy; State School, Rosebrook. Preliminary deposit, £5. Final deposit, 2 per cent.

South Geelong.—General repairs and painting, school and residence, State School No. 2143. Particulars at Inspector of Works Office, Geelong; State School, South Geelong. Deposit, £4.

Springfield.—New bathroom, repairs, and renovations, school and residence, State School No. 1007. Particulars at Police Stations, Kilmore, Kyneton, Woodend; State School, Springfield. Preliminary deposit, £5. Final deposit, 2 per cent.

Swan Hill.—Repairs and painting, High School. Particulars at Inspector of Works Offices, Bendigo, Swan Hill; Police Stations, Echuca, Kerang. Preliminary deposit, £5. Final deposit, 2 per cent. (Amended specification.)

Wensleydale.—Repairs and painting and new skylights, State School No. 894. Particulars at Inspector of Works Office, Geelong; Police Station, Colac; State School, Wensleydale. Deposit, £3.

Woolsthorpe.—New partition, repairs, and renovations, State School No. 688. Particulars at Inspector of Works Offices, Hamilton, Warrnambool; Police Station, Port Fairy; State School, Woolsthorpe. Deposit, £4.

Yallourn.—Conversion of two (2) Army huts for classroom purposes, State School No. 4085. Particulars at Inspector of Works Office, Bairnsdale; Police Stations, Moe, Sale; State School, Yallourn. Preliminary deposit, £10. Final deposit, 2 per cent.

8th October, 1946.

Kew.—Supply and installation of one (1) electric goods lift, Mental Hospital. Preliminary deposit, £15. Final deposit, 2 per cent.

Prahran.—Repairs and painting, State School No. 3774, Deaf and Dumb Institute, St. Kilda-road. Preliminary deposit, £10. Final deposit, 2 per cent.

Sunshine.—Repairs and painting, State School No. 3113. Particulars at State School, Sunshine. Preliminary deposit, £15. Final deposit, 2 per cent.

Tenders to be addressed to the Honorable the Commissioner of Public Works, and envelope containing tender marked "Tender for

P. J. KENNELLY,
Commissioner of Public Works.

Melbourne, 17th September, 1946.
No. 179.—9692/46.—2

PRIVATE ADVERTISEMENTS.

CITY OF FOOTSCRAY.

BY-LAW No. 113.

A By-law of the City of Footscray, numbered 113, made under section 197 of the *Local Government Act 1928*, for prescribing areas within the municipal district as residential areas, and prohibiting or regulating within the whole of the such residential areas the use of any land or the erection (including adaptation for use) or the use of any building or vacant land for the purposes of trades, industries, manufactures, businesses, or public amusements.

IN pursuance of the powers conferred by the *Local Government Acts* and of every power it thereunder enabling, the Mayor, Councillors, and Citizens of the City of Footscray, with the approval of the Governor in Council, order as follows:—

1. In Schedule "B" of By-law No. 74, in the list of streets in which shops may be erected, all reference to Roberts-street shall be repealed.

2. From and after the coming into operation of this By-law the following street shall be added to Schedule "B" of By-law No. 74:—

Roberts-street—west side from Clarendon-parade to Sanderson-street—east side from Wattle-street (formerly York-road) to Drew-street.

Resolution for passing this By-law agreed to by the Council of the City of Footscray on the 8th day of July, 1946, and confirmed on the 5th day of August, 1946.

The common seal of the Mayor, Councillors, and Citizens of the City of Footscray was affixed hereto in our presence by order of the Council:—

(SEAL) W. H. ANDERSON, Mayor.
EDWARD H. HESTER, Councillor.
E. J. SMITH, Town Clerk.

Approved by the Governor in Council, 3rd September, 1946.
—C. W. KINSMAN, Clerk of the Executive Council. 7743

CITY OF MELBOURNE.

BY-LAW No. 273.

A By-law of the City of Melbourne, made under Part VII, Division I, of the *Local Government Act 1928*, and numbered 273, to amend By-law No. 250.

THE Council of the City of Melbourne doth hereby, in pursuance of the powers conferred by the *Local Government Act 1928* and by every other Act or power enabling it in that behalf, order as follows:—

1. This By-law shall from and after the date of the same coming into operation be read and construed as one with By-law No. 250, intitled "A By-law of the City of Melbourne made under Part VII, Division I, of the *Local Government Act 1928*, and numbered 250, to amend and consolidate the By-laws with reference to street traffic and for suppressing nuisances," and any By-laws amending the same.

2. Sub-clause (10) of clause 12 of By-law No. 250 is hereby repealed.

Resolution for passing this By-law agreed to by the Council of the City of Melbourne on the 19th day of August, 1946, and confirmed on the 16th day of September, 1946.

(L.S.) F. R. CONNELLY, Lord Mayor.
7740 H. S. WOOTTON, Town Clerk.

SHIRE OF FRANKSTON AND HASTINGS.

BY-LAW No. 72.

Relating to Excavating Operations.

NOTICE is hereby given that a By-law has been made and passed by the Council of the Shire of Frankston and Hastings, under section 197 of the *Local Government Act 1928*, as amended by section 9 of the *Local Government Act 1938*, and numbered 72, for the purpose of prohibiting, regulating, and controlling excavating operations.

And that a copy of the said By-law is open for inspection, free of charge, at the Shire Offices, Frankston, during office hours.

Resolution for passing this By-law agreed to by the Council on the 7th day of June, 1946, and confirmed the 19th day of July, 1946.

The common seal of the President, Councillors, and Rate-payers of the Shire of Frankston and Hastings was hereto affixed this 19th day of July, 1946, in the presence of—

(SEAL) J. E. GRICE, President.
J. L. PRATT, Councillor.
J. A. P. HAM, Shire Secretary.

Approved by the Governor in Council, 20th August, 1946.—
C. W. KINSMAN, Clerk of the Executive Council. 7734

SHIRE OF FERNTREE GULLY.

NOTICE is hereby given that First Constable William Patrick Hoare, of Baywater, has been appointed Prosecuting Officer for the Shire of Ferntree Gully, as from 9th September, 1946.

C. C. DANCE, Shire Secretary.

SHIRE OF MANSFIELD.

BY-LAW No. 30.

A. By-law of the Shire of Mansfield, made under the Local Government Acts and the Uniform Building Regulations Victoria, and numbered 30, for determining, applying, dispensing with, or regulating such matters or things as are left to be determined, applied, dispensed with, or regulated by the Council of the said Shire of Mansfield under the Uniform Building Regulations Victoria.

IN pursuance of the powers conferred by the Local Government Acts and the Uniform Building Regulations Victoria, and any and every other power thereunto enabling, the President, Councillors, and Ratepayers of the Shire of Mansfield order as follows:—

1. The minimum area, depth, and width of frontage specified in Column 5 of Table 803 of the Uniform Building Regulations Victoria (hereinafter called the Regulations) are hereby adopted as the minimum area, depth, and width of frontage of land on which a building shall be constructed throughout that portion of the municipal district set out and described in the First Schedule hereto.

2. (a) The minimum distance of the outer walls of any building of Classes I. and II. occupancy from the street alignment of any land is hereby specified as 15 feet.

(b) No person shall construct any building of Classes I. and II. occupancy closer to the street alignment of any land than 15 feet.

3. Notwithstanding anything contained in the Regulations any person may—

(a) construct a building of Class I. occupancy on land having a lesser area, depth, or width of frontage or at a lesser distance from boundaries than those specified in Column 5 of Table 803 of the Regulations or in clause 2 of this By-law; or

(b) construct a building of Class III., V., VII., or VIII. occupancy or a building to which a building of Class IV. is attached on land having an area, depth, or width of frontage less than that prescribed in clause 809 of the Regulations in any case where on the date of commencement of the Regulations such land existed as a separate allotment and has not since been reduced in area or is shown on any plan of subdivision approved by the Council and lodged in the Office of Titles.

4. In the case of a building on any land forming part of a subdivision approved by the Council and lodged with the Office of Titles prior to the date of commencement of the Regulations, the requirements of clause 811 of the Regulations may be dispensed with by resolution of the Council if it is satisfied clause 187 (3) of the Health Act 1928 to be otherwise complied with.

5. The fees to be fixed under Table 401 empowering a Council to fix a fee and a deposit shall be as follows:—

(g) The deposit for constructing a temporary crossing shall be £2.

(h) The fees shall be—

(a) 15s. for opening a bitumenized or concrete street or road or footpath.

(b) 7s. 6d. for opening a gravelled street or road or footpath.

(c) 4s. for opening an unmade street or road or footpath.

SCHEDULE I.

All that portion of the Parish of Mansfield bounded as follows:—

Commencing at the south-west angle of allotment 73; thence northerly by west boundary of allotments 73, 72, 71, a line across road and west boundary of allotment 66, a line across road and west boundary of allotments 59 and 56 to north-west angle of allotment 56; thence easterly by north boundary of allotments 56, 57, 38, a line across road, north boundary of allotments 37, 36, a line across road to north-west angle of allotment 24; thence southerly by west boundary of allotment 24 to the south-west angle of allotment 24, a line across road to the north-west angle of allotment 22; thence easterly by north boundary of allotments 22, 21A, 21 to north-east angle of allotment 21; thence southerly by east boundary of allotments 21, 1A, a line across road, east boundary of allotment 8A, a line across road and east boundary of allotments 13A and 14A, to south-east angle of allotment 14A; thence westerly by south boundary of allotments 14A, 15A, a line across road,

and south boundary of allotments 16A, 23A, and Pound Reserve; thence westerly across road along the south boundary of Cemetery Reserve and allotments 69 and 73 to the commencing point.

Resolution for passing this By-law No. 30 was agreed to by the Council of the Shire of Mansfield the 1st day of May, 1946, and confirmed at a meeting of the Council held on the 5th day of June, 1946.

The common seal of the President, Councillors, and Ratepayers of the Shire of Mansfield was hereto affixed in the presence of—

(SEAL) F. W. GIBSON, President.
D. P. BEGLEY, Councillor.
R. P. ALDOUS, Councillor.
A. WOMERSLEY, Secretary.

Approved by the Governor in Council, 16th July, 1946.—
C. W. KINSMAN, Clerk of the Executive Council. 7725

SHIRE OF MORWELL.

NOTICE is hereby given that By-law No. 23 of the Shire of Morwell, made under section 558 of the Local Government Act 1928, extending the provisions of Division 9 of Part XIX. of the Local Government Act 1928 throughout the Shire of Morwell, was passed by the Council of the Shire of Morwell at a meeting held on 19th June, 1946, and confirmed at a meeting of the said Council held on 21st August, 1946.

Notice is further given that a copy of the By-law is open for inspection, free of charge, during office hours at the office of the Council.

NEVILLE W. BALDY, Shire Secretary.

Shire Hall, Morwell, 11th September, 1946. 7723

SHIRE OF OTWAY.

NOTICE is hereby given that Norman Sydney Sumpter, of Beech Forest, has been appointed Prosecuting Officer for the Shire of Otway, to succeed Owen Hughes.

NOTICE is hereby given that William McNaughton, Ian Tucker, and Roy Leslie Schmidt have been appointed Assistant Herdsmen for the Shire of Otway.

T. J. FRY, Shire Secretary.

Shire Offices, Beech Forest, 11th September, 1946. 7727

SHIRE OF TAMBO.

BY-LAW No. 35.

A By-law of the Shire of Tambo to amend Schedule No. 2 of By-law No. 29.

IN pursuance of the powers conferred by the Local Government Act 1928, the President, Councillors, and Ratepayers of the Shire of Tambo order as follows:—

1. That Schedule No. 2 of By-law No. 29 be amended to read as follows:—

Schedule No. 2.

In the Township of Lakes Entrance—

(a) In respect of dwellings—the whole of the said township.

(b) In respect of other buildings—all allotments fronting the Esplanade between North Arm Bridge and Crown allotment 17 of section 7, Township of Lakes Entrance.

In the Township of Bruthen—the main street between the railway and the Oméo road.

Resolution for passing this By-law was agreed to by the Council of the Shire of Tambo on the 17th day of July, 1946, and was confirmed by the said Council on the 21st day of August, 1946.

In witness whereof the seal of the President, Councillors, and Ratepayers of the Shire of Tambo was hereto affixed this 21st day of August, 1946—

(SEAL) V. K. CARSTAIRS, President.
R. J. G. MORKHAM, Councillor.
T. F. ROLLASON, Secretary.

7742

MELBOURNE AND METROPOLITAN TRAMWAYS BOARD.

AUDITOR-GENERAL'S CERTIFICATE.

THE Melbourne and Metropolitan Tramways Board, in accordance with section 95 of Act No. 3732, having determined that the capital cost of its works and undertakings at the 30th June, 1946, amounted to £9,457,426 11s. 10d. (Nine million four hundred and fifty-seven thousand four hundred and twenty-six pounds eleven shillings and ten pence), I certify, after due inquiry and investigation, that the determination is correct.

E. A. PEVERILL, Auditor-General.

16th September, 1946.

7759

QUEENSLIFFE BOROUGH COUNCIL.

SEWERAGE DISTRICTS ACTS.

Proposed Sewerage Authority.

NOTICE is here given that the Queenscliffe Borough Council has made application to the Honorable the Minister of Water Supply for the constitution of a Sewerage Authority, and for the proclamation of a Sewerage District at Queenscliffe and Point Lonsdale, and for the construction, maintenance, and continuance of sewerage works within that District under the provisions of the Sewerage Districts Acts.

A general plan and description of the proposed works have been submitted with the application, and copies of same may be seen at the Town Hall, Queenscliffe.

C. H. WHITE, A.M.I.E. Aust., Town Clerk.

Town Hall, Queenscliffe, 5th August, 1946. 7358

I HENRY ALLAN, of 42 Martin-street, South Yarra, in the State of Victoria, stage director, heretofore called and known by the name of Henry Allan Anzac Groves, hereby give public notice that by deed poll, dated the 11th day of September, 1946, duly executed, and attested, and deposited with the Registrar-General, in the said State, on the 12th day of September, 1946, I formally and absolutely renounced and abandoned the names Anzac Groves, and declared that I had assumed, adopted, and intended thenceforth, on all occasions whatsoever, to use and subscribe the surname of Allan, instead of the said surname of Groves, and so as to be at all times thereafter called, known, and described by the said surname of Allan.

Dated this 12th day of September, 1946.

HENRY ALLAN.

Witness—WILLIAM G. ORR, solicitor, Melbourne. 7793

I ALAN HERBERT BURROWS, of 1 Malonga Court, Caulfield, bank clerk, but at present a sub-lieutenant in His Majesty's Royal Australian Naval Reserve, heretofore known by the surname of Roberts, hereby give notice that by a deed poll, dated 9th August, 1946, duly executed and deposited with the Registrar-General of the State of Victoria, I absolutely renounced and abandoned the said surname of Roberts, and declared that I had adopted and intended thenceforth to use and subscribe the surname of Burrows, instead of the surname of Roberts, and so as to be thereafter known by the surname of Burrows.

Dated the 9th September, 1946.

A. H. BURROWS.

Witnesses—J. A. DOYLE, A/Lt. Cdr. R.A.N.R. (S), Commanding Officer, H.M.A.S. *Covera*; and ALAN JOSLAND CUTTS, chaplain, R.A.N., H.M.A.S. *Tarangau*, 7 Tessa-street, Chateau, New South Wales.

Proudfoot, Horton, and Cox, solicitors, 87 Queen-street, Melbourne. 7795

IN THE MATTER OF THE "PARTNERSHIP ACT 1928."

NOTICE is hereby given that the partnership between Ray Lewis Cook, of 82 Hickford-street, East Brunswick, and Allan Samuel Wearne, of Nicholson-street, East Brunswick, in the business of wholesale and retail jewellers and manufacturing jewellers, in the name of Cook and Wearne, at 288 Little Collins-street, Melbourne, under an agreement of partnership dated the 1st day of July, 1946, is hereby declared to be dissolved, as and from the 31st day of August, 1946.

Dated this 16th day of September, 1946.

RAY LEWIS COOK.

Witness—L. W. HARTNETT, solicitor, Melbourne.

ALLAN SAMUEL WEARNE.

Witness—L. W. HARTNETT. 7783

NOTICE is hereby given that the partnership hitherto subsisting between Martin Robert Merry Smith, Albert Ernest Peacock, and Wesley McMullen Henshaw, carrying on business as chartered accountants (Aust.), under the firm name of "M. R. M. Smith, Peacock, and Co.," at 395 Collins-street, Melbourne, has been dissolved by mutual consent on the 1st day of July, 1946. The said business shall hereafter continue to be carried on at 59 Queen-street, Melbourne, by the said Martin Robert Merry Smith and the said Wesley McMullen Henshaw, in partnership, under the firm name of "M. R. M. Smith, Peacock, and Henshaw."

Dated this 1st day of July, 1946.

M. R. M. SMITH.
A. E. PEACOCK.
WESLEY HENSHAW.

7739.

NOTICE is hereby given that the partnership heretofore subsisting between the undersigned Maxwell Joseph Salter and James William O'Connor, carrying on business as manufacturing engineers at 82 Bell-street, Fitzroy, under the name of Salcon Products, has been dissolved by mutual consent as from the 27th day of August, 1946. All debts owing by or due to the said late firm will be paid and received by the said James William O'Connor, who will continue to carry on the business at the same place and under the same name.

Dated the 28th day of August, 1946.

M. J. SALTER.

J. W. O'CONNOR.

Evans, Masters, and Gilbert, solicitors, 34 Queen-street, Melbourne. 7775

NOTICE is hereby given that the partnership heretofore subsisting between the undersigned Norman Samuel Forward Hedditch and Howard John Turner, carrying on business as stock, station, and general agents and auctioneers, at Portland, under the name of Norman Hedditch and Turner, has been dissolved by mutual consent as from the 1st day of September, 1946. All debts due to and owing by the said late firm will be received and paid by the said Norman Samuel Forward Hedditch, who will continue to carry on the business at the same place.

Dated at Portland, the 10th day of September, 1946.

N. S. F. HEDDITCH.

H. J. TURNER.

Witness—JNO. S. HARRIS, solicitor, Portland. 7726

NOTICE is hereby given that the partnership heretofore subsisting between Lillias Madeline Hall, Violet Evelyn Hall, Francis Henry Worsley, and John Herbert Worsley, carrying on business as farmers and graziers, at Tragowel, in Victoria, under the style or firm of Hall and Worsley, has been dissolved as from the 1st day of July, 1946. All debts due to and owing by the said firm will be received and paid respectively by the said Francis Henry Worsley and John Herbert Worsley, who will carry on the said business in partnership, under the same name as heretofore at the above address.

Dated this 9th day of September, 1946.

L. M. HALL.

V. E. HALL.

F. H. WORSLEY.

J. H. WORSLEY.

Witness—EMILY R. MCINTOSH. 7731

Companies Act 1938.

AUSTRALIAN GOOD ROADS ASSOCIATION.

NOTICE OF INTENTION TO APPLY TO ATTORNEY-GENERAL FOR LICENCE, PURSUANT TO SECTION 18 (1).

I THOMAS GRANT PATERSON, of 115 Belmore-road, North Balwyn, on behalf of Australian Good Roads Association, about to be formed for the purposes of improving, Australian roads and promoting the interests of road users, hereby give notice of intention to apply to the Attorney-General for a licence directing that the said association be registered as a company with limited liability, without the addition of the word, "limited" to its name.

Dated this 11th day of September, 1946.

7730 T. G. PATERSON, Federal Secretary.

THE YARRAM HYDRO ELECTRIC COMPANY LIMITED.

NOTICE OF SPECIAL RESOLUTION TO WIND UP, PURSUANT TO SECTION 226.

AT an Extraordinary General Meeting of the above-named company, duly convened and held at Yarram, on Thursday, the 12th day of September, 1946, the following Resolution was duly passed as a Special Resolution:—

"That the company be wound up voluntarily."

And, at such last-mentioned meeting, John Maurice McCutcheon, of 34 Queen-street, Melbourne, was appointed liquidator for the purposes of the winding up.

Dated the 12th day of September, 1946.

7792 A. H. MOORE, Chairman.

PYRAMID HILL AND DISTRICT DAIRY AND PRODUCE COMPANY LIMITED (IN LIQUIDATION).

NOTICE TO CREDITORS.

ANY persons having any claim against Pyramid Hill and District Dairy and Produce Company Limited (in liquidation) are hereby required to give written notice of such claim to the liquidator, Robert Leonard Leane, chartered accountant (Aust.), at his address, 64 Elizabeth-street, Melbourne, not later than the 23rd day of October, 1946.

ROBT. L. LEANE.

R. L. Leane, chartered accountant (Aust.), 64, Elizabeth-street, Melbourne, C.I. 7786.

BRUNSWICK THEATRES LIMITED.

AT an Extraordinary General Meeting of the above-named company, duly convened and held at the registered office of the company, 379 Collins-street, Melbourne, on Friday, the 13th day of September, 1946, the following Resolution was duly passed as a Special Resolution:—

“That the company be wound up voluntarily.”

And at such last-mentioned meeting, John Wayth Gudgeon, of 379 Collins-street, Melbourne, was appointed liquidator for the purposes of the winding up.

Dated this 13th day of September, 1946.

J. W. GUDGEON, Chairman.
Gillott, Moir, and Ahern, solicitors, 95 Queen-street, Melbourne. 7779

FRANZ NEUMANN, late of Avoca Court, Southey-street, Elwood, merchant (who died 17th February, 1946).

CREDITORS, next of kin, and all other persons having claims against the estate of the deceased are required by the executors of the will, Leo Newman and Michael Newman, to send particulars to them, care of the undersigned, on or before the 20th November, 1946, after which date they will distribute the assets, having regard only to the claims of which they then have notice;

ROCKMAN & JANOVER, solicitors, 169 Elgin-street, Carlton. 7720

NOTICE TO CLAIMANTS.—*RE* ALEXANDER HAMMOND, late of Murchison, in the State of Victoria, farmer, DECEASED.

CREDITORS, next of kin, and all persons having claims against the estate of the above-named deceased (who died on the 9th day of December, 1945), are requested to forward particulars thereof, in writing, to Edward Ernest Hammond, of Murchison aforesaid, farmer, and Vera Mary Flack, of the same place, married woman (the executors named in and appointed by the will of the above-named deceased, and to whom probate of the said will was duly granted by the Supreme Court of Victoria on the 29th day of April, 1946), in care of the under-mentioned, on or before the 15th day of December, 1946, after which the executors shall proceed to distribute the assets in the said estate to the persons thereunto lawfully entitled, having regard only to such claims of which they shall then have had notice.

Dated the 3rd day of September, 1946.

GALLOWAY STEWART, of Murchison, proctor for the said executors. 7721

AMELIA McLEAN, late of Castlemaine, in the State of Victoria, widow, DECEASED.

CREDITORS, next of kin, and all other persons having claims against the estate of the above-named Amelia McLean, deceased, are required by her executors, Hugh Stanley Allan McLean, draper, and Jack Johnson Barry, fitter, both of Castlemaine aforesaid, to send particulars of such claims to the executors, in care of H. S. W. Lawson and Co., solicitors, Castlemaine, on or before the 23rd day of November, 1946, after which date the said executors will distribute the assets of the estate, having regard only to the claims of which they shall then have had notice.

Dated the 7th day of September, 1946.

H. S. W. LAWSON & CO., solicitors, Castlemaine. 7722

GEORGE DOUGLAS McLEAN, late of Castlemaine, in the State of Victoria, auctioneer, DECEASED.

CREDITORS, next of kin, and all other persons having claims against the estate of the above-named George Douglas McLean, deceased, are required by his surviving executor, Hugh Stanley Allan McLean, of Castlemaine aforesaid, draper, to send particulars of such claims to the executor, care of H. S. W. Lawson and Co., solicitors, Castlemaine, on or before the 23rd day of November, 1946, after which date the said executor will distribute the assets of the estate, having regard only to the claims of which he shall then have had notice.

Dated the 7th day of September, 1946.

H. S. W. LAWSON & CO., solicitors, Castlemaine. 7723

CREDITORS, next of kin, and others having claims in respect of the estate of Joseph Hunter, formerly of 55 Orlando-street, Hampton, but late of 2 Railway-avenue, Middle Brighton, gentleman, deceased (who died on the 8th day of June, 1946), are to send the particulars of their claims to The Perpetual Executors and Trustees Association of Australia Limited, 100-104 Queen-street, Melbourne, by the 23rd day of November, 1946, after which date it will distribute the assets, having regard only to the claims of which it then has notice.

ARTHUR PHILLIPS & JUST, solicitors, 472 Bourke-street, Melbourne. 7770

PURSUANT to the *Trustee Act* 1928, notice is hereby given that all persons interested in or having claims against the estate of Frederick William Johnston, late of North Drummond, in the State of Victoria, farmer, deceased (who died on the 8th day of October, 1945, and probate of whose will and codicil was granted by the Supreme Court of the said State, in its probate jurisdiction, on the 28th day of March, 1946, to Thomas Alexander Thomas, of North Drummond aforesaid, farmer, and Henry Keith Goldsmith Armstrong, of Kyneton, in the said State, solicitor, the executors appointed by the said will and codicil), are hereby required to send particulars, in writing, of their claims to the said executors, in care of the undersigned, at his address hereunder mentioned, on or before the 20th day of November, 1946, after which date the said executors intend to convey or distribute the property of the said Frederick William Johnston, deceased, which shall have come to their hands to or among the persons entitled thereto, having regard only to the claims, whether formal or not, of which they shall then have had notice. And notice is hereby further given that the said executors will not be liable for the property so conveyed or distributed, or any part thereof, to any person of whose claim they shall not have had notice at the time of such conveyance or distribution.

H. K. G. ARMSTRONG, Jennings-street, Kyneton, proctor for the said executors. 7724

NOTICE TO CREDITORS.

PURSUANT to the *Trustee Act* 1928, notice is hereby given that all persons having claims against the estate of James Peter Smith, late of 7 Hopetoun-street, Elsternwick, estate agent, deceased, intestate (who died on the 6th day of May, 1946, and letters of administration of whose estate were granted by the Supreme Court of Victoria on the 26th day of July, 1946, to James William Smith, of 2 Park-street, Elsternwick, inspector), are hereby required to send particulars, in writing, of such claims to the administrator, at the office of the under-mentioned solicitor, on or before the 25th day of November, 1946, after which date the administrator will proceed to convey or distribute the said estate among the persons entitled thereto, having regard only to the claims of which he shall then have had notice.

KENNETH J. CLEMENTS, solicitor, 29 Glenhuntly-road, Elsternwick. 7737

PURSUANT to the *Trustee Act* 1928, all persons having claims against the estate of Ellen Alice Owen, late of 61 Linda-crescent, Hawthorn, widow, deceased (who died on 1st July, 1946, and probate of whose will was granted by the Supreme Court of Victoria on 27th August, 1946, to James Atkinson, of 2 Catherine-street, Canterbury, managing law clerk, the executor appointed thereby), are hereby required to send particulars, in writing, of such claims to the said executor, care of the under-mentioned solicitors, on or before 21st November, 1946, after which date the said executor will proceed to distribute the assets of the said deceased amongst the persons entitled thereto, having regard only to claims of which he shall then have had notice, and will not be liable for the assets so distributed to any person of whose claim he shall not then have had notice.

Dated this 11th day of September, 1946.

W. B. & O. McCUTCHEON, solicitors, 31 Queen-street, Melbourne. 7758

NOTICE TO CLAIMANTS.—PATRICK WILLIAM RYAN, DECEASED.

FRANCIS XAVIER RYAN, of 27 Charlotte-street, Richmond, clerk, having made application to the Registrar of Probates for a grant of representation of the estate of Patrick William Ryan, formerly of 27 Charlotte-street, Richmond, but late of Killara, labourer, deceased (who died on the 14th day of July, 1946), requires all creditors and others interested to send to him, care of the undersigned solicitor, on or before the 20th day of November, 1946, particulars of their claims against the estate of the said deceased, after which date the said Francis Xavier Ryan intends to convey or distribute the said estate to or amongst the persons entitled thereto, having regard only to the claims of which he shall then have had notice.

Dated the 17th day of September, 1946.

JOHN F. CARROLL, 95 Queen-street, Melbourne. 7760

CREDITORS, next of kin, and others having claims against the estate of Alice Emma Shephard, late of "Norwood," South-road, Brighton, in the State of Victoria, widow, deceased (who died on the 4th day of April, 1946), are to send particulars of their claims to The Trustees, Executors, and Agency Company Limited, of 401 Collins-street, Melbourne, in the said State, by the 19th day of November, 1946, after which date it will distribute the estate, having regard only to the claims of which it shall then have had notice.

ABBOTT, BECKETT, STILLMAN, & GRAY, solicitors, 422 Little Collins-street, Melbourne. 7756

NOTICE TO CLAIMANTS.

CREDITORS, next of kin, and others having claims against the estate of Mary Ann Simpson, late of 175 North-road, Gardenvale, in the State of Victoria, widow, deceased (who died on the 14th day of May, 1946), are hereby required to send particulars, in writing, of their claims to the executor, The Equity Trustees, Executors, and Agency Company Limited, whose registered office is situate at 472 Bourke-street, Melbourne, in the said State, on or before the 22nd day of November, 1946, after which date the said company will distribute the assets of the said deceased, having regard only to the claims of which it then has had notice.

Dated the 18th day of September, 1946.

E. W. OLLEY, 431 Bourke-street, Melbourne, solicitor for the said company. 7771

NOTICE TO CLAIMANTS.

CREDITORS, next of kin, and others having claims against the estate of Anne Sullivan, late of "Navillus," Evelyn-street, Bentleigh, in the State of Victoria, widow, deceased, intestate (who died on the 24th day of April, 1946), are hereby required to send particulars, in writing, of their claims to the administrator, National Trustees, Executors, and Agency Company of Australasia Limited, whose registered office is situate at 95 Queen-street, Melbourne, in the said State, on or before the 22nd day of November, 1946, after which date the said company will distribute the assets of the said deceased, having regard only to the claims of which it then has had notice.

Dated the 18th day of September, 1946.

E. W. OLLEY, 431 Bourke-street, Melbourne, solicitor for the said company. 7772

PURSUANT to the *Trustee Act 1928*, notice is hereby given that all creditors, next of kin, and others having claims against the estate of Austin Stringer, late of Numurkah, in the State of Victoria, shire secretary, deceased (who died on the 1st day of July, 1946), are hereby required to send particulars, in writing, of such claims to the executrix of the said deceased, care of Morrison and Teare, solicitors, Numurkah, on or before the 30th day of November, 1946, after which date the executrix will proceed to convey or distribute the said estate, or any part thereof, to or among the persons entitled thereto, having regard only to the claims of which she shall then have had notice; and notice is further given that the executrix will not be liable to any person of whose claim she shall not then have had such notice as aforesaid.

Dated this 4th day of September, 1946.

MORRISON & TEARE, Numurkah, Cobram, and at National Mutual Buildings, 395 Collins-street, Melbourne, solicitors for the executrix. 7773

CREDITORS, next of kin, and others having claims in respect of the estate of Robert Hilton McMillan, late of Korumburra South, in the State of Victoria, farmer, deceased (who died on the 27th day of July, 1946), are to send the particulars of their claims to Herbert Ralph Birch, the executor of the will of the said deceased, in care of the undersigned, by the 26th day of November, 1946, after which date he will distribute the assets, having regard only to the claims of which he then has notice.

SHEGOG & BIRCH, solicitors, Korumburra. 7774

LEILA ELIZABETH WEIGHT, late of 22 Radnor-street, Camberwell, spinster, DECEASED.

CREDITORS, next of kin, and others having claims against the estate of the above-named deceased (who died on the 25th July, 1945), are required to send particulars of their claims to the executor, Horace Bernard Valentine Dimelow, care of the undersigned, on or before the 21st day of November, 1946, after which date he will distribute the assets, having regard only to claims of which he then has notice.

STEWART & DIMELLOW, solicitors, 422 Collins-street, Melbourne. 7776

MARGARET KIRKWOOD, formerly of 806 Sturt-street, Ballarat, but late of 7 Lyons-street south, Ballarat, widow, DECEASED (who died on the 20th day of May, 1946).

CREDITORS, next of kin, and all other persons having claims against the estate of the said deceased are required by the executors, The Ballarat Trustees, Executors, and Agency Company Limited, of 101 Lydiard-street north, Ballarat, and James Cleary, of 209 Raglan-street, Ballarat, cordial maker, to send particulars to them, care of the said The Ballarat Trustees, Executors, and Agency Company Limited, on or before the 25th day of November, 1946, after which date they will distribute the assets, having regard only to the claims of which they then have notice.

Dated the 18th day of September, 1946.

T. E. BYRNE & CO., solicitors, 56 Lydiard-street south, Ballarat. 7741

CREDITORS, next of kin, and others having claims in respect of the estate of Matteo Basso, late of 50 Harrington-street, Wonthaggi, in the State of Victoria, miner, deceased (who died on the 3rd day of June, 1946), are to send the particulars of their claims to the National Trustees, Executors, and Agency Company of Australasia Limited, of 95 Queen-street, Melbourne, by the 30th day of November, 1946, after which date it will distribute the assets, having regard only to the claims of which it then has notice.

ROCKMAN & JANOVER, 169 Elgin-street, Carlton, solicitors. 7738

NOTICE TO CLAIMANTS.

CREDITORS, next of kin, and others having claims in respect of the estate of Frederick Thomas Bishop, late of 192 Park-street, West Brunswick, in the State of Victoria, insurance agent, deceased (who died on the 5th day of May, 1946), are to send the particulars of their claims to The Trustees, Executors, and Agency Company Limited, of 401 Collins-street, Melbourne, in the said State, by the 18th day of November, 1946, after which date it will distribute the assets, having regard only to the claims of which it then has notice.

Dated this 11th day of September, 1946.

WILLAN & COLLES, of 100-104 Queen-street, Melbourne, proctors for the said company. 7755

MARTHA SPEDDING, late of "Linwood," 115 Balaclava-road, Caulfield, in the State of Victoria, widow (who died on 29th April, 1946).

CREDITORS, next of kin, and all others having claims against the estate of the deceased are required by the executors of the will, Michael Niall, of 360 Collins-street, Melbourne, in the said State, solicitor, and Ella Scott McRae, of "Linwood," 115 Balaclava-road, Caulfield aforesaid, to send particulars to them, care of the undersigned, on or before 21st November, 1946, after which date they will distribute the assets, having regard only to the claims of which they then have notice.

MICHAEL NIALL & CO., solicitors, 360 Collins-street, Melbourne. 7757

MARY KATE BUCKLEY, late of "Castle Dermot," Ferntree Gully, spinster, DECEASED (who died on 9th July, 1946).

CREDITORS, next of kin, and all other persons having claims against the estate of the said deceased are required by Thomas Joseph Toohey and Patrick Francis Toohey, both of 95 Queen-street, Melbourne, solicitors, the executors of the will of the said deceased, to send to them, care of the undersigned, particulars thereof, on or before the 19th day of November, 1946, after which date the said executors will distribute the assets of the said deceased, having regard only to the claims of which they shall then have notice.

GAVAN DUFFY & KING, solicitors, 95 Queen-street, Melbourne. 7761

CREDITORS, next of kin, and others having claims in respect of the estate of William Eade Napthine, late of Terang, grazier, deceased (who died on the 1st day of March, 1946), are required to send particulars of their claims to Edith Laura Napthine, Leonard Napthine, and Gilbert Ditty, the executors of the will of the said deceased, in care of the undersigned, by the 19th day of November, 1946, after which date they will distribute the assets, having regard only to the claims of which they then have notice.

DOYLE & KERR, High-street, Terang, solicitors to the executors. 7797

CREDITORS, next of kin, and others having claims in respect of the estate of Thomas Caldwell Blain, late of Garvoc, grazier, deceased (who died on the 17th day of October, 1945), are required to send particulars of their claims to Florence Blain, Gordon Lindsey Blain, Hedley Caldwell Hewlett Blain, and Stanley Basil Blain, the executors of the will of the said deceased, in care of the undersigned, by the 19th day of November, 1946, after which date they will distribute the assets, having regard only to the claims of which they then have notice.

DOYLE & KERR, High-street, Terang, solicitors to the executors. 7798

CREDITORS, next of kin, and others having claims in respect of the estate of Hector Stanley Bennett Hay, late of Terang, farmer, deceased (who died on the 12th day of June, 1946), are required to send particulars of their claims to Leslie Guilbert Cochrane and Alice Victoria Burnett, the executors of the will of the said deceased, in care of the undersigned, by the 19th day of November, 1946, after which date they will distribute the assets, having regard only to the claims of which they then have notice.

DOYLE & KERR, High-street, Terang, solicitors to the executors. 7799

Trustee Act 1928.

NOTICE TO CLAIMANTS.

PURSUANT to the *Trustee Act 1928*, creditors, next of kin, and all other persons having claims in respect of the estate of any deceased person named below are required to send particulars thereof to the legal personal representative or representatives at the address stated below, on or before the date stated, after which date the representative or representatives will distribute the assets, having regard only to the claims of which notice has been received:—

Elizabeth Christina Lennox, late of "Dumbarton," Nelson-street, Foster, married woman, died 8th February, 1946.—Claims to the executors, The Trustees, Executors, and Agency Company Limited, of 401 Collins-street, Melbourne, and William Nelson Lennox, of Foster, retired baker, care of The Trustees, Executors, and Agency Company Limited, 401 Collins-street, Melbourne, by 20th November, 1946. 7735

Ada Elizabeth Tosh, late of 8 Cobden-street, Mt. Pleasant, Ballarat, in the State of Victoria, widow, deceased.—Claims to the executor, John Charles Feltham, of 3 Mair-street, Ballarat, undertaker, care of the undersigned, by 20th November, 1946. R. H. Ramsay, 41 Lydiard-street, Ballarat, solicitor. 7736

John McSween, late of Rosebrook, retired farmer, died 21st June, 1946.—Claims to the executor, Robert Fry, of Moe, butcher, care of J. W. Powling, solicitor, Port Fairy, by 15th November, 1946. 7729

Sarah Hopkins, late of Korumburra South, widow, deceased, died on the 14th day of June, 1946.—Claims to the executors, Francis James Corder and Frances Hopkins, care of F. J. Corder, solicitor, 108 Queen-street, Melbourne, by 20th November, 1946. 7764

Charles Ritchie Smibert, late of Hopetoun-road, Toorak, retired company manager, who died on 21st April, 1946.—Claims to the executor, The Trustees, Executors, and Agency Company Limited, of 401 Collins-street, Melbourne, by 23rd November, 1946. Davies, Campbell, and Piesse, solicitors, 401 Collins-street, Melbourne. 7753

Colin Hector Campbell, late of 20 Bruce-street, Toorak, Victoria, gentleman, deceased, died 13th February, 1946.—Claims to the executors, The Trustees, Executors, and Agency Company Limited, of 401 Collins-street, Melbourne. Stuart Dallas Campbell, and Shirley Helen Cruickshank, both care of the said company, by 20th November, 1946. Hedderwick, Fookes, and Alston, 103 William-street, Melbourne, solicitors for the executors. 7754

Jane Mary Turner, late of 9 Sutherland-road, Armadale, in the State of Victoria, spinster, deceased, died on the 30th May, 1946.—Claims to the executrix, Elsie Jane Mary Lang, of 5 St. James-place, Toorak, in the said State, married woman, care of McCay and Thwaites, 360 Collins-street, Melbourne, in the said State, solicitors, by the 30th November, 1946. 7791

John Ward Harris (sometimes known as John Ward), late of 47 Marlborough-street, Balaclava, in Victoria, retired storeman, died 18th July, 1946.—Claims to the executor, National Trustees, Executors, and Agency Company of Australasia Limited, at its registered office, 95 Queen-street, Melbourne, in the said State, by 20th November, 1946. T. A. Kennedy, L.L.B., solicitor, 443 Bourke-street, Melbourne. 7801

PURSUANT to the *Trustee Act 1928*, notice is hereby given that all creditors, next of kin, and others having claims against the estate of Edward Reed, late of Ulupna, in the State of Victoria, retired farmer, deceased (who died on the 20th day of July, 1946), are hereby required to send in particulars, in writing, of such claims to the executors of the said deceased, care of Morrison and Teare, solicitors, Numurkah, on or before the 10th day of November, 1946, after which date the executors will proceed to convey or distribute the said estate, or any part thereof, to or among the persons entitled thereto, having regard only to the claims of which they shall then have had notice. And notice is further given that the executors will not be liable to any person, of whose claim they shall not then have had such notice as aforesaid.

Dated this 4th day of September, 1946.

MORRISON & TEARE, Numurkah, Cobram, and at National Mutual Buildings, 395 Collins-street, Melbourne, solicitors for the executors. 7719

PURSUANT to the *Trustee Act 1928*, notice is hereby given that all creditors, next of kin, and others having claims against the estate of Robert Adams, late of Katunga, in the State of Victoria, farmer, deceased (who died on the 19th day of June, 1946), are hereby required to send in particulars, in writing, of such claims to the executors of the said deceased, care of Morrison and Teare, solicitors, Numurkah, on or before the 10th day of November, 1946, after which date the executors will proceed to convey or distribute the said estate, or any part thereof, to or among the persons entitled thereto, having regard only to the claims of which they shall then have had notice. And notice is further given that the executors will not be liable to any person of whose claim they shall not then have had such notice as aforesaid.

Dated this 4th day of September, 1946.

MORRISON & TEARE, Numurkah, Cobram, and at National Mutual Buildings, 395 Collins-street, Melbourne, solicitors for the Executors. 7718

CREDITORS, next of kin, and others having claims in respect of the estate of Maude Mary Constance McCaffrey, late of 129 Alma-road, Caulfield, in the State of Victoria, widow, deceased (who died on the 26th day of May, 1946), are to send particulars of their claims to the National Trustees, Executors, and Agency Company of Australasia Limited, of 95 Queen-street, Melbourne, by the 20th day of November, 1946, after which date it will distribute the assets, having regard only to the claims of which it then has notice.

JOHN F. CARROLL, solicitor, 95 Queen-street, Melbourne. 7762

CREDITORS, next of kin, and others having claims in respect of the estate of Alice May Wade, late of 63 Durham-road, Surrey Hills, deceased (who died on the 28th May, 1946), are required to send particulars of their claims to Ronald Hiram Wade and John Charles Underwood, the executors of the will of the said deceased, care of the undersigned solicitors, by the 26th day of November, 1946, after which date they will distribute the assets, having regard only to the claims of which they then have notice.

ROGERS & ROGERS, 422 Collins-street, Melbourne, solicitors for the above-named executors. 7765

EDITH MARY ALLEN, late of "Eastville," 6 Amsterdam-street, Richmond, married woman, DECEASED.

CREDITORS, next of kin, and all other persons having claims against the estate of the deceased are required by the executors of the will, Edward Allen, of 6 Amsterdam-street, Richmond, pensioner, and Ernest Clyde Cox, of 29 Rotsehild-street, Glenhuntly, estate agent, to send particulars to them, care of the undersigned, on or before 20th November, 1946, after which date they will distribute the assets, having regard only to the claims of which they then have notice.

WISEWOULD & DUNCAN, solicitors, 408 Collins-street, Melbourne. 7766

CREDITORS, next of kin, and others having claims in respect of the estate of Alfred Angus Davies, late of Launceston, in the State of Tasmania, signalman, Royal Australian Navy, deceased (who died on the 5th day of August, 1943), are to send particulars of their claims to The Perpetual Executors and Trustees Association of Australia Limited, of 100-104 Queen-street, Melbourne, by the 3rd day of December, 1946, after which date it will distribute the assets, having regard only to the claims of which it then has notice.

HENDERSON & BALL, solicitors, 430 Little Collins-street, Melbourne. 7768

CREDITORS, next of kin, and others having claims in respect of the estate of Arthur Doig Johnson, late of 52 Brinsley-road, East Camberwell, storeman, deceased (who died on the 2nd day of May, 1946), are to send the particulars of their claims to Meyric Edwin Hetherington Johnson and The Trustees, Executors, and Agency Company Limited, of 401 Collins-street, Melbourne, care of the said company, by the 27th day of November, 1946, after which date he and it will distribute the assets, having regard only to the claims of which he and it have notice.

HENDERSON & BALL, 430 Little Collins-street, Melbourne, solicitors. 7769

CREDITORS, next of kin, and others having claims in respect of the estate of Thomas White, late of Glenlofty, via Elmhurst, farmer, deceased, intestate (who died on the 5th day of December, 1945), are to send the particulars of their claims to George White, of Cotswold, farmer, care of the undersigned solicitors, by the 1st day of January, 1947, after which date he will distribute the assets, having regard only to the claims of which he then has notice.

HERRING & BATHURST, solicitors, Maryborough. 7744

NOTICE TO CLAIMANTS.—*RE* MARY LEES WEST, late of 19 Triniau-street, Prahran, in the State of Victoria, widow, DECEASED.

GEORGE ERNEST LYTTON WEST, of 19 Triniau-street, Prahran aforesaid, supervisory technician, and Frederick Clark Wilmot, of 97 Williams-road, Prahran aforesaid, gentleman, the executors of the will of the above-named deceased (who died on the 1st day of August, 1946), require all creditors and others having claims against the deceased or estate of the said deceased to send to them, care of their solicitors, Hoad and Bonella, 101 Queen-street, Melbourne, on or before the 20th day of November, 1946, particulars, in writing, of such claims, after which date they intend to convey or distribute such property or estate to or amongst the persons entitled thereto, having regard only to the claims of which they shall then have had notice.

Dated this 17th day of September, 1946.

HOAD & BONELLA, 101 Queen-street, Melbourne, solicitors for the executors. 7802

AGNES TERESA UNGER, DECEASED.

CREDITORS, next of kin, and others having claims in respect of the estate of Agnes Teresa Unger, late of 255 Graham-street, Port Melbourne, in the State of Victoria, spinster, deceased (who died on the 22nd day of June, 1946), are to send particulars of their claims to The Trustees, Executors, and Agency Company Limited, 401 Collins-street, Melbourne, in the said State, by the 26th day of November, 1946, after which date it will distribute the assets, having regard only to the claims of which it then has notice.

MELVILLE & MELVILLE, solicitors, 97-99 Queen-street, Melbourne. 7803

CREDITORS, next of kin, and others having claims in respect of the estate of Jessie Bruce Newcombe, late of Jeparit, in the State of Victoria, widow (who died on the 4th day of March, 1946), are to send particulars of their claims to the executors, William Keith Newcombe, of Jeparit, farmer, and The Union Trustee Company of Australia Limited, of 333 Collins-street, Melbourne, in the care of the said company, by the 20th day of November, 1946, after which date the said executors will distribute the assets, having regard only to the claims of which they then have notice.

MURPHY & AINSLIE, of Jeparit, solicitors for the executors. 7804

NOTICE TO CLAIMANTS.

ALL persons having claims against the property or estate of John Cluff, late of "Elenara," No. 2 Fitzroy-street, St. Kilda, in the State of Victoria, retired manager, deceased (who died on the 10th day of May, 1946, and probate of whose will was granted by the Supreme Court of the said State, in its probate jurisdiction, to The Trustees, Executors, and Agency Company Limited, of 401 Collins-street, Melbourne, in the said State, and Walter Oswald Burt, of 394 Collins-street, Melbourne, in the said State, solicitor, the executors appointed by the said will), are hereby required to send particulars, in writing, of such claims to the said executors, at their said addresses, on or before the 20th day of November, 1946, after which date the said executors will proceed to distribute the assets of the said John Cluff, deceased, which shall have come to their hands, amongst the persons entitled thereto, having regard only to the claims of which they then shall have had notice. And notice is hereby further given that the said executors will not be liable for the assets so distributed, or any part thereof, to any person of whose claim they shall not then have had notice.

Dated the 17th day of September, 1946.

OSWALD BURT & CO. of 394 Collins-street, Melbourne, solicitors for the executors. 7777

THE PERPETUAL EXECUTORS AND TRUSTEES ASSOCIATION OF AUSTRALIA LIMITED, whose registered office is situate at Nos. 100-104 Queen-street, Melbourne, and Arthur Freebrey Chesterman, of 425 Barkers-road, Kew, insurance company officer, the executors of the will and codicil of Edwin Henry Chesterman, late of 19 Bolton-avenue, Hampton, engineer, deceased (who died on the 5th day of June, 1946), require all creditors, next of kin, and others having claims against the property or estate of the said deceased to send to the said executors, in the care of the said association, on or before the 26th day of November, 1946, particulars, in writing, of such claims, after which date the executors intend to convey or distribute such property or estate to or among the persons entitled thereto, having regard only to the claims of which it and he shall have had notice.

HENDERSON & BALL, solicitors, 430 Little Collins-street, Melbourne. 7767

PURSUANT to the *Trustee Act 1928*, notice is hereby given that all persons having claims against the estate of William Hogan, late of "Cornalla West," Deniliquin, in the State of New South Wales, pastoralist, deceased (who died on the 28th day of September, 1945, and application for a grant of representation of whose estate has been made to the Registrar of Probates by Cornelius Joseph Ahern, of 95 Queen-street, Melbourne, solicitor, and John McMahon, of Deniliquin aforesaid, grazier, the executors appointed by the will of the said deceased), are required to send particulars, in writing, of such claims to the said executors, care of the undersigned solicitors, on or before the 22nd day of November, One thousand nine hundred and forty-six, after which date they will proceed to convey or distribute the estate of the said William Hogan, deceased, or any part thereof, amongst the persons entitled thereto, having regard only to the claims, whether formal or not, of which they shall have then had notice. And notice is further given that they will not, as respects the property so conveyed or distributed, be liable to any person of whose claim they shall not have had notice.

GILLOTT, MOIR, & AHERN, solicitors, 95 Queen-street, Melbourne. 7780

PURSUANT to the *Trustee Act 1928*, notice is hereby given that all persons having claims against the estate of Elizabeth Ann Perry, late of 20 Thanet-street, Malvern, in the State of Victoria, widow, deceased (who died on the 15th day of July, 1946, and application for a grant of representation of whose estate has been made to the Registrar of Probates by National Trustees, Executors, and Agency Company of Australasia Limited, whose registered office is situate at 95 Queen-street, Melbourne, in the said State, and Frank Alway, of 27 Dandenong-road, Malvern, in the said State, estate agent, the executors appointed by the will of the said deceased), are hereby required to send particulars, in writing, of such claims to the said executors, care of the said company, at its registered office aforesaid, on or before the 22nd day of November, 1946, after which date the said executors will proceed to convey or distribute the said estate, or any part thereof, amongst the persons entitled thereto, having regard only to the claims, whether formal or not, of which they shall have then had notice. And notice is further given that they will not, as respects the property so conveyed or distributed, be liable to any person of whose claim they shall not have had notice.

GILLOTT, MOIR, & AHERN, 95 Queen-street, Melbourne, solicitors for the said executors. 7781

PURSUANT to the *Trustee Act 1928*, notice is hereby given that all persons having claims against the estate of John Joseph Ryan (sometimes known as John Joseph Francis Ryan), formerly of "Nyangay," Boorooban, in the State of New South Wales, pastoralist, but late of the Royal Australian Air Force, on active service, deceased (who died on the 4th day of March, 1945, and application for a grant of representation of whose estate has been made to the Registrar of Probates by Hugh Francis McKenzie, of Echna, in the State of Victoria, stock and station agent, and Maurice William Ryan, of "The Homestead," Darlington Point, in the State of New South Wales, pastoralist, the executors appointed by the will of the said deceased), are hereby required to send particulars, in writing, of such claims to the said executors, care of the undersigned solicitors, on or before the 22nd day of November, 1946, after which date the said executors will proceed to convey or distribute the said estate, or any part thereof, amongst the persons entitled thereto, having regard only to the claims, whether formal or not, of which they shall then have had notice. And notice is hereby further given that the said executors will not, as respects the property so conveyed or distributed, be liable to any person of whose claim they shall not have had notice.

GILLOTT, MOIR, & AHERN, solicitors, 95 Queen-street, Melbourne. 7782

ROBERT NORMAN TREWEEK, late of Blowhard, in the State of Victoria, farmer, DECEASED, intestate (who died on the 4th day of June, 1946).

CREDITORS next of kin, and all others having claims against the estate of the said deceased are required by The Ballarat Trustees, Executors, and Agency Company Limited, of 101 Lydiard-street north, Ballarat, the administrator of the estate of the said deceased, to send particulars of such claim to it, on or before the 21st day of November, 1946, after which date the said company will proceed to distribute the said estate, having regard only to the claims of which it then has had notice.

CUTHBERT, MORROW, MUST, & SHAW, solicitors, Ballarat. 7751

JOHN CARR GILSENAN, DECEASED.

CREDITORS, next of kin, and all others having claims against the estate of John Carr Gilsenan, formerly of Cobram, late of Sale, bank manager, deceased (who died on the 5th day of June, 1946), are required to send particulars thereof to the executrix, Vere Gilsenan, care of Morrison and Teare, solicitors, Numurkah, on or before the 10th day of November, 1946, after which date she will distribute the assets, having regard only to the claims of which she then has notice.

Dated the 31st day of August, 1946.

MORRISON & TEARE, Numurkah, Cobram, and at National Mutual Buildings, 395 Collins-street, Melbourne, solicitors for the executor. 7717

JANE DOUGLAS MITCHELL, late of Liverpool-street, West Footscray, in the State of Victoria, widow (who died on the 2nd March, 1946).

CREDITORS, next of kin, and all other persons having claims against the estate of the above-named deceased are required by the administrator, John Thomas Mitchell, of 61 Liverpool-street, West Footscray aforesaid, labourer, to send particulars to him, care of the undersigned, on or before the 28th day of November, 1946, after which date he will distribute the assets, having regard only to the claims of which he then has notice.

W. H. JONES & KENNEDY, solicitors, 214 Nicholson-street, Footscray. 7784

PURSUANT to the provisions of the *Trustee Act 1928*, notice is hereby given that all persons having claims against the estate of Aileen Marjorie Ham, late of "Eildon," Williams-road, Toorak, in the State of Victoria, married woman, deceased (who died on the 23rd July, 1946, and probate of whose will and a codicil thereto was on the 11th September, 1946, granted by the Supreme Court of Victoria to Roy James McArthur, of 46 Queen-street, Melbourne, in the said State, solicitor, and Wilbur Lincoln Ham, of Selborne Chambers, Chancery-lane, Melbourne aforesaid, one of His Majesty's Counsel, two of the executors appointed thereby), are hereby required to send particulars, in writing, of such claims to the said Roy James McArthur and Wilbur Lincoln Ham, to care of Malleison, Stewart, and Co., at the address below, on or before the 28th November, 1946, after which date the said executors will proceed to convey or distribute the said estate to or among the persons entitled thereto, having regard only to the claims, whether formal or not, of which they shall then have had notice, and will not be liable for the assets so distributed to any person of whose claim they shall not then have had notice.

MALLEISON, STEWART, & CO., solicitors, 46 Queen-street, Melbourne. 7789

CREDITORS, next of kin, and others having claims in respect of the estate of Agnes Teague, late of 20 Gordon-street, Hampton, Victoria, widow, deceased (who died on 12th April, 1946), are to send the particulars of their claims to The Perpetual Executors and Trustees Association of Australia Limited, at its registered office, at 100-104 Queen-street, Melbourne, Victoria, by the 21st day of November, 1946, after which date it will distribute the assets, having regard only to the claims of which it then has notice.

MALLEISON, STEWART, & CO., solicitors, 46 Queen-street, Melbourne. 7790

CREDITORS, next of kin, and others having claims in respect of the estate of Arthur Herbert Belson, late of 10 Wellington-street, Brighton, in the State of Victoria, investor, deceased (who died on 21st day of February, 1946), are to send the particulars of their claims to The Union Trustee Company of Australia Limited, of 333 Collins-street, Melbourne, in the said State, by the 21st day of November, 1946, after which date it will distribute the assets, having regard only to the claims of which it then has notice.

PROUDFOOT, HORTON, & COX, solicitors, 87 Queen-street, Melbourne. 7794

CHARLES BROADFOOT McCALLUM, late of View-street, Bendigo, retired railway employee, DECEASED (who died 10th December, 1945).

CREDITORS, next of kin, and all persons having claims against the estate of deceased are required by the executor of the will, Edwin George Ham, of Rose-street, Bendigo, agent, to send particulars to him, care of the undersigned, on or before the 18th day of November, 1946, after which date he will distribute the assets, having regard only to the claims of which he shall then have had notice.

COHEN, KIRBY, & CO., solicitors, 117 Pall Mall, Bendigo. 7745

PURSUANT to the provisions of the *Trustee Act 1928*, notice is hereby given to all persons having claims against the estate of Edmond Rahaley, late of 55 Kinkora-road, Hawthorn, in the State of Victoria, gentleman, deceased (who died on the 2nd day of May, 1946, probate of whose will was granted by the Supreme Court of the State of Victoria, in its probate jurisdiction, on the 30th day of August, 1946, to National Trustees, Executors, and Agency Company of Australasia Limited, whose registered office is situate at 95 Queen-street, Melbourne (hereinafter called the Trustee Company)), are required to send particulars of such claims, in writing, to the Trustee Company, at its above-mentioned address, on or before the 30th day of November, 1946, after which date the Trustee Company will proceed to distribute the assets of the said Edmond Rahaley, deceased, which shall have come to its hands, amongst the persons entitled thereto, having regard only to the claims of which it shall then have had notice as aforesaid. And notice is hereby further given that the trustee will not be liable for the assets so distributed to any person of whose claim it shall not have had notice as aforesaid.

Dated this 17th day of September, 1946.

DOYLE & KERR, solicitors, 108 Queen-street, Melbourne, solicitors for the Trustee Company. 7778

CREDITORS, next of kin, and others having claims in respect of the estate of Rosina Elizabeth Parsons, late of 108 Garden-street, Geelong, widow, deceased (who died on 14th June, 1946), are to send the particulars of their claims to National Trustees, Executors, and Agency Company of Australasia Limited, of 95 Queen-street, Melbourne, by the 19th day of November, 1946, after which date it will proceed to distribute the assets, having regard only to the claims of which it then has notice.

CRAWCOUR & HOLLYHOKE, of Yarra-street, Geelong, solicitors. 7752

In the Supreme Court of the State of Victoria.—*Fi. Fa.*

NOTICE is hereby given, that under and by virtue of certain process issued out of the Supreme Court of the State of Victoria and directed to the Sheriff, requiring him to levy certain moneys of the real and personal estate of T. Gill, of Rowville, in the State of Victoria, farmer, the said Sheriff will, on Tuesday, the 29th day of October, 1946, at the hour of half-past Eleven o'clock in the forenoon, cause to be sold at the Police Station, Dandenong (unless the said process shall have been previously satisfied or the said Sheriff be otherwise stayed):—

All the right, title, estate, and interest (if any) of the said T. Gill in and to the surface down to a depth of 50 feet below the surface of all that piece of land, containing 99a. 3r. 38p., being allotment 99, Parish of Gembrook, County of Evelyn, and being the land described in Crown grant, volume 2603, folio 520419.

N.B.—Terms: Cash. No cheques taken.

Dated at Melbourne, this 11th day of September, 1946.

7800 FRANCIS H. TUCKER, Sheriff's Officer.

INSOLVENCY NOTICES.

INSOLVENCY ACT 1928.

In the Court of Insolvency, Central District, at Melbourne.—In the matter of ERIC PAVEY HENDERSON, formerly of Jackson's-road, Mulgrave, and more recently of Koornang-road, Carnegie, farmer, whose estate was sequestrated on the 5th day of October, 1916.

A FIRST and Final Dividend is intended to be declared in the above matter. Creditors who have not proved their debts by the 25th day of September, 1946, will be excluded from the dividend.

Dated this 9th day of September, 1946.

O. L. JONES,

Official Accountant in Insolvency.
450 Law Courts-place, Melbourne, C.I. 7763

The Insolvency Acts.—In the Court of Insolvency.

A SECOND and Final Dividend is intended to be declared in the matter of James Butler Coyle, of 305 Johnston-street, Abbotsford, grocer, whose estate was assigned on the 11th day of February, 1925. Creditors who have not proved their debts by the 30th day of September, 1946, will be excluded.

Dated this 11th day of September, 1946.

HERBERT M. KENNEDY, Trustee.

Herbert M. Kennedy and Small, accountants, Broken Hill Chambers, 31 Queen-street, Melbourne. 7785

MINING NOTICES.

CHEWTON GOLD MINES NO LIABILITY.

NOTICE is hereby given that all shares forfeited for non-payment of the 56th (August) Call of Three pence per share will be sold by public auction at the Stock Exchange Hall, 428 Chancery-lane, Melbourne, on Wednesday, the 25th day of September, 1946, at a quarter to Twelve a.m., unless redeemed on or before 5 p.m. on Tuesday, the 24th day of September, 1946.

By order of the Board,

A. E. LLEWELLYN, Manager.

Registered office: 430 Little Collins-street, Melbourne, C.1, 17th September, 1946. 7787

AJAX SOUTH GOLD MINE NO LIABILITY.

NOTICE is hereby given that all shares forfeited for non-payment of the 14th (August) Call of Three pence per share will be sold by public auction at the Stock Exchange Hall; 428 Chancery-lane, Melbourne, on Wednesday, the 25th day of September, 1946, at ten minutes to Twelve a.m., unless redeemed on or before 5 p.m. on Tuesday, the 24th day of September, 1946.

By order of the Board,

A. E. LLEWELLYN, Manager.

430 Little Collins-street, Melbourne, C.1, 17th September, 1946. 7788

IMPOUNDINGS.

BALLAN.—Impounded at Ballan.

1 red roan and white shorthorn bull, V out near ear, small notch off ear
If not claimed and expenses paid, to be sold on 2nd October, 1946.

7746—4/8 WILLIAM CANN, Poundkeeper.

BOX HILL.—Impounded at Box Hill, by F. W. Veron.

1 Jersey cow, aged, hole in right ear
If not claimed and expenses paid, to be sold on 3rd October, 1946.

7748—4/ H. J. BARRETT, Poundkeeper.

COLAC.—Impounded at Colac, by W. Grayland, Borough Ranger.

2 dark Jersey heifers, two notches in off ear, no visible brand
2 light Jersey heifers, one notch in off ear, no visible brand
If not claimed and expenses paid, to be sold on 3rd October, 1946.

7807—5/4 M. P. McCULLOUGH, Acting Poundkeeper.

CORRYONG.—Impounded at Corryong.

1 yellow bay horse, star and blaze on forehead, Z on off rump
1 dark-brown horse, no visible brand
If not claimed and expenses paid, to be sold on 27th September, 1946.

7728—4/8 A. L. HAMILTON, Poundkeeper.

CRANBOURNE.—Impounded at Cranbourne, by Ranger, from Narre Warren road.

1 brown Jersey cow, dry, top off right ear, horns turned down face, indistinct brand on milking rump
If not claimed and expenses paid, to be sold on 3rd October, 1946.

7747—5/4 P. H. CLARK, Poundkeeper.

DROMANA.—Impounded at Dromana.

1 medium draught bay gelding, no visible brand
If not claimed and expenses paid, to be sold on 3rd October, 1946.

7750—4/ J. CHAPMAN, Poundkeeper.

MIRBOO NORTH.—Impounded from Township of Mirboo North.

1 old bay mare, no visible brand
If not claimed and expenses paid, to be sold on 15th October, 1946.

7749—4/8 J. G. BIRD, Poundkeeper.

STRATFORD.—Impounded at Stratford, by J. A. Stewart, from property near Montgomery.

1 brown Jersey bull; about 18 months, no visible brand
If not claimed and expenses paid, to be sold on 7th October, 1946.

7806—4/8 E. C. BOCK, Poundkeeper.

TRARALGON.—Impounded at Traralgon, by Road Ranger, from Shire Roads, on 12th September, 1946.

1 silver and white Jersey cow, notch top and bottom off ear, like O.D. (conjoined), on top with a bar off rump
If not claimed and expenses paid, to be sold on 7th October, 1946.

7805—5/4 ADAM WILSON, Poundkeeper.

WODONGA.—Impounded at Wodonga.

1 dark-brown heifer, about 3 years, tip of shell off right horn, no visible brand

2 Jersey heifers, about 15 months, notch out of right ear (under ear), no visible brand

If not claimed and expenses paid, to be sold on 12th October, 1946.

7809—6/ THOMAS ARDERN, Poundkeeper.

YARRA GLEN.—Impounded at Yarra Glen.

1 bay gelding pony, white strip on face, no visible brand
If not claimed and expenses paid, to be sold on 25th September, 1946.

7808—4/ H. W. SMITH, Poundkeeper.

STATE ACTS, 1946.

COPIES of the following Acts of Parliament of Victoria may be obtained at the Government Printing Office, or from any bookseller, at the price set opposite to each:—

No.	Price.
	s. d.
5109. Geelong Land	0 6
5110. Transport Regulation (Amendment)	0 6
5111. Factories and Shops (Annual Holidays)	0 9
5112. Mornington Sewerage Authority (Validation)	0 6
5113. Local Government (Emergency Housing Accommodation) Amendment	0 6
5114. Housing (Commonwealth and State Agreement)	1 0
5115. Factories and Shops (Early Closing)	0 6
5116. Building Operations and Building Materials Control	0 9
5117. Water (Levee Banks)	0 9
5118. Co-operative Housing Societies	0 6
5119. Local Government (Municipal Rolls)	0 6
5120. Public Works Loan and Application	0 6
5121. Totalizator (Charities)	0 6
5122. Drought Relief	0 6
5123. Taxation (Arrangements)	0 6
5124. Public Service	1 6
5125. Teaching Service	1 3
5126. Police Regulation	1 0
5127. Railways (Long Service)	0 6
5128. Workers' Compensation	1 6
5129. Sewerage Districts (Amendment)	0 6
5130. Factories and Shops (Bread)	0 6
5131. Crimes (Indeterminate Sentences)	0 6
5132. Medical (Chemists' Apprentices)	0 6
5133. Soldier Settlement (Amendment)	0 6
5134. Consolidated Revenue	0 6
5135. Consolidated Revenue	0 6
5136. Apprenticeship	0 6

J. J. GOURLEY, Government Printer.

AGENTS FOR THE "VICTORIA GOVERNMENT GAZETTE."

THE following have been appointed agents to receive Advertisements and subscriptions for the *Victoria Government Gazette*:—

- ARMSTRONG'S AGENCY, 143 Queen-street, Melbourne.
 MESSRS. ARNALL & JACKSON, 115 Barkly-street, West Brunswick.
 MESSRS. GORDON & GOTCH, News Agents, 51F Little Collins-street, Melbourne; and corner Barrack and Clarence streets, Sydney.
 MESSRS. HARSTON, PARTRIDGE, & CO., 455 Little Collins-street, Melbourne.
 N. V. NIXON & CO., 20 Queen-street, Melbourne.
 THE PATON ADVERTISING SERVICE PTY. LTD.
 ROBERTSON & MULLENS LTD., Elizabeth-street, Melbourne.
 MESSRS. W. H. WADDELL and A. S. RICHARDSON, trading as The Mercantile Exchange, 380 Collins-street, Melbourne.
 MR. A. J. DIGBY, News Agent, Bairnsdale.
 MR. M. R. BADE, Tobaccoist, Sturt-street, Ballarat.
 TRIGG'S NEWS AGENCY, Hargreaves-street, Bendigo.
 MR. G. H. K. PAYNE, 4 View Point, Bendigo.
 MR. G. F. LATIMER, News Agent, Casterton.
 MESSRS. HENRY FRANKS & CO., Booksellers and Stationers, Market-square, Geelong.
 MESSRS. SMITH & DUNNON, Hamilton.
 ARMSTRONG BROS., Kyneton.
 MR. W. M. DAVIS, Mildura.
 PIKE'S AUTHORIZED NEWS AGENCY, Sale.
 MR. C. T. RUSE, News Agent, Wangaratta.
 MR. F. T. McCORMICK, Nunn-street, Benalla.
 F. R. & E. M. COOKE, Bridge-street, Benalla.
 W. GORDON HAMPTON, 243 Mitchell-street, Bendigo.
 R. & A. SMALLMAN, News Agents, Toora.

A copy of the *Gazette* filed at each place for public reference.

THE "VICTORIA GOVERNMENT GAZETTE."

SUBSCRIPTIONS.—The subscription, including Postage, is £1 12s. 6d. per annum, 16s. 3d. half-yearly, or 8s. 2d. per quarter, payable in advance.

Subscriptions are required to commence and terminate with a month.

A lesser period than three months cannot be subscribed for. Subscribers do not receive the Acts of Parliament with the GAZETTE.

ADVERTISEMENTS are charged at the rate of EIGHT PENCE per line single column, and ONE SHILLING and FOUR PENCE per line double column.

The title (£5 Reward, Dissolution of Partnership, &c.) forms one or more lines as a heading.

On an average, ten words make a line.

Every signature must likewise be counted as a line.

The final words of a paragraph, though only portion of a line, must be counted as one line.

SIGNATURES (in particular) and proper names must be written very plainly in the text; ONE SIDE ONLY of each slip of paper should be WRITTEN UPON.

ALL COMMUNICATIONS should be addressed to "The Government Printer, Melbourne."

ALL DOCUMENTS illegibly written will be returned unpublished, and, where brands occur unprovided for by the ordinary letters of the alphabet, a worded explanatory description must be furnished.

THE VICTORIA GOVERNMENT GAZETTE is published on WEDNESDAY EVENING in each week, and Notices for insertion will be received by the Government Printer at or before TWO p.m., at ordinary rates, and late advertisements between TWO p.m. and FIVE p.m. at double rates on the day preceding the day of publication.

Single copies of the VICTORIA GOVERNMENT GAZETTE are Six pence, posted Eight pence, each.

No. GAZETTES prior to, January, 1936, in stock.

***ALL PAYMENTS ARE REQUIRED IN ADVANCE.—Remittances should be made by postal note, money order, or draft in favour of the Government Printer. Advertisements unaccompanied by a remittance sufficient to cover the cost of insertion will be returned unpublished.

CONTENTS

	PAGE
Acts of Parliament on sale at the Government Printing Office	3001
Appointments	2970
Bank Holidays	2978
Cemeteries—Scale of Fees	2981
Contracts	2984
Estates of Deceased Persons	2984
Government Notices	2981
Impoundings	3001
Insolvency Notices	3000
Lands	2989
Mining	2984, 3001
Notice to Mariners	2983
Orders in Council	2986
Private Advertisements	2993
Proclamations	2977
Public Holidays	2978
Public Service Notices	2981
Resignations	2980
Royal Agricultural Show Day Holiday	2978
State Rivers and Water Supply Commission	2983
Stay Orders	2985
Tenders	2992
Transport Regulation Board—Public Hearings	2981

[3003]



VICTORIA
GOVERNMENT GAZETTE.

Published by Authority.

[Registered at the General Post Office, Melbourne, for transmission by post as a newspaper.]

No. 180]

WEDNESDAY, SEPTEMBER 18.

[1946

DETERMINATION OF THE INDUSTRIAL APPEALS COURT.

IN THE INDUSTRIAL APPEALS COURT:

IN THE MATTER of the *Factories and Shops Act 1928-1941*,

AND

IN THE MATTER of a Determination of the Plumbers Board made on or about the 29th July, 1946,

AND

IN THE MATTER of an Appeal against certain provisions of the said Determination.

Before the Industrial Appeals Court (Judge Stretton, K. H. Boykett Esq., and J. V. Stout Esq.)

Wednesday the 4th day of September, 1946.

Having heard the above-mentioned Appeal this Court Doth Determine that such Appeal be dismissed, and Doth Order that this Determination shall be deemed to have come into force as from the beginning of the pay period which commenced next after the 13th August, 1946.

By Order of the Court.

REX L. CECIL,

Registrar.

By Authority: J. J. GOURLEY, Government Printer, Melbourne.

No. 180.—9464/46.

