



VICTORIA
GOVERNMENT GAZETTE.

Published by Authority.

[Registered at the General Post Office, Melbourne, for transmission by post as a newspaper.]

No. 85]

WEDNESDAY, MAY 15.

[1946.

ACTS OF PARLIAMENT.

PROCLAMATION

By His Excellency the Governor of the State of Victoria and its Dependencies in the Commonwealth of Australia, &c., &c., &c.

I, THE Governor of the State of Victoria, in the Commonwealth of Australia, do hereby declare that I have this day assented, in His Majesty's name, to the Bills passed by the Parliament of the said State, the titles whereof are hereunder set forth, that is to say:—

- No. 5116. "An Act to provide for the Control of Building Operations and Building Materials, and for other purposes."
No. 5117. "An Act to provide for the Regulation of the Construction and Use of Levee Banks, and for other purposes."
No. 5118. "An Act to amend the *Co-operative Housing Societies Act 1944*."
No. 5119. "An Act to amend Section Seventy-two of the *Local Government Act 1928*."
No. 5120. "An Act to authorize the Raising of further Money for Public Works and other purposes and to sanction the Issue and Application for such purposes of the Money so raised or of Money in the State Loans Repayment Fund, and for other purposes."
No. 5121. "An Act relating to the Application of Totalizator Receipts at a certain Race-meeting."
No. 5122. "An Act to make provision for the Alleviation of Hardship suffered by Cereal Farmers in Consequence of Drought in Victoria during the Year One thousand nine hundred and forty-five."
No. 5123. "An Act relating to the Commissioner, Assistant Commissioner and Deputy Commissioners of Taxes, and for other purposes."

Given under my Hand and the Seal of the State of Victoria aforesaid, at Melbourne, this fourteenth day of May, in the year of our Lord One thousand nine hundred and forty-six, and in the tenth year of the reign of His Majesty King George VI.

(L.S.)

WINSTON DUGAN.

By His Excellency's Command.

JOHN CAIN.

GOD SAVE THE KING!

State Electricity Commission Act 1928.
RESTRICTIONS ON USE OF ELECTRICITY
REGULATIONS.

PROCLAMATION

By His Excellency the Governor of the State of Victoria and its Dependencies in the Commonwealth of Australia, &c., &c., &c.

WHEREAS by regulations cited as Restrictions on Use of Electricity Regulations made by the Governor in Council on the third day of October One thousand nine hundred and thirty-eight on the recommendation of the State Electricity Commission of Victoria it is amongst other things provided that any person who, during a state of emergency as therein defined, contravenes the provisions as to use of electricity therein defined shall be guilty of an offence against the said Regulations: And whereas it is provided that a state of emergency shall be deemed to exist for the purpose of the said Regulations whenever the Governor in Council, by Proclamation published in the *Government Gazette*, proclaims that an industrial strike has occurred, or other emergency has arisen, at any portion of any undertaking or works of or operated by the Commission, and that for the protection of works or electrical lines of the Commission, or the prevention of any interference therewith, it is necessary to prohibit or restrict the use of electricity by consumers: Now I, the Governor of the State of Victoria, with the advice of the Executive Council of the said State, do hereby proclaim that an emergency has arisen at the whole of the electrical undertakings and works of or operated by the Commission, and that, for the protection of electrical works or lines of the Commission, and the prevention of any interference therewith, it is necessary, on and after the date of the publication in the *Government Gazette* of this my Proclamation, to prohibit or restrict the use of electricity by consumers. Such state of emergency shall be deemed, under the said Regulations, to continue until the publication in the *Government Gazette* of a Proclamation that such state of emergency has ceased to exist.

Given under my Hand and the Seal of the State of Victoria aforesaid, at Melbourne, this fourteenth day of May, in the year of our Lord One thousand nine hundred and forty-six, and in the tenth year of the reign of His Majesty King George VI.

(L.S.)

WINSTON DUGAN.

By His Excellency's Command,

P. J. KENNELLY,

Minister in Charge of Electrical Undertakings.

GOD SAVE THE KING!

Fire Brigades Act 1928.
METROPOLITAN FIRE BRIGADES BOARD.
 ENLARGEMENT OF FIRE DISTRICT.

PROCLAMATION

By His Excellency the Governor of the State of Victoria and its Dependencies in the Commonwealth of Australia, &c., &c., &c.

WHEREAS by the *Fire Brigades Act 1928* it is amongst other things enacted that on the request of the council of any municipal district and on receiving a certificate from the Metropolitan Fire Brigades Board that it is necessary or desirable so to do, the Governor in Council may at any time, by Proclamation in the *Government Gazette*, declare that any such municipal district, or any portion thereof, shall be added to and form part of the Metropolitan Fire District and that thereupon such municipal district or portion thereof shall for the purpose of the said Act, be included in and form part of such fire district: And whereas the Council of the municipal district of the Shire of Braybrook has requested that the portion of such district enclosed within the boundaries set forth hereunder be added to and form part of the Metropolitan Fire District: And whereas a certificate has been received from the Metropolitan Fire Brigades Board that it is desirable so to do: Now therefore I, the Governor of the State of Victoria, in the Commonwealth of Australia, by and with the advice of the Executive Council of the said State, and in pursuance of the provisions of section 5 (1) of the said Act, do by this my Proclamation declare that the portion of the municipal district of the Shire of Braybrook comprised within the boundaries set forth hereunder shall, from the 1st day of July in the year One thousand nine hundred and forty-six, be added to and form part of the Metropolitan Fire District, viz.:—

Commencing on the circumference of a circle, having a radius of 10 miles from the Post Office at the corner of Bourke-street and Elizabeth-street, Melbourne, at a point where it is intersected by Main-street west, St. Albans; thence westerly by Main-street west to Station-road; thence southerly by Station-road to Kororoit Creek; thence generally westerly by that creek to a point in line with Miles-street; thence southerly by a line and Miles-street to Ballarat-road; thence westerly by Ballarat-road to Murray-street; thence southerly by Murray-street and a line in continuation thereof to the Ballarat-Melbourne railway line; thence easterly by that railway line to the circumference of the circle aforesaid; and thence northerly by that circumference to the point of commencement.

Given under my Hand and the Seal of the State of Victoria aforesaid, at Melbourne, this fourteenth day of May, in the year of our Lord One thousand nine hundred and forty-six, and in the tenth year of the reign of His Majesty King George VI.

(L.S.) WINSTON DUGAN.

By His Excellency's Command,

W. SLATER,
Chief Secretary.

GOD SAVE THE KING!

Water Acts.

WESTERN WIMMERA WATERWORKS DISTRICT.
 PORTION OF DISTRICT PROCLAIMED AN "URBAN DISTRICT."

PROCLAMATION

By His Excellency the Governor of the State of Victoria and its Dependencies in the Commonwealth of Australia, &c., &c., &c.

UNDER the powers conferred by the Water Acts and all other powers enabling me in that behalf, I, the Governor of the State of Victoria, with the advice of the Executive Council thereof, do hereby proclaim that, as on and from the date hereof that portion of the Western Wimmera Waterworks District included within the boundaries set out and described in the Schedule hereto, shall be and become an "Urban District" for the purpose of the said Acts, and shall be known as Pimpinio Urban District.

SCHEDULE.

Boundaries of Pimpinio Urban District.

Commencing at the north-eastern angle of allotment 243, Parish of Wail, County of Borung; thence generally northerly and easterly by the western and northern boundaries of the Town of Pimpinio to a point in line with the north-eastern boundary of the Pimpinio railway station reserve; thence south-easterly and south-westerly by a line and the north-eastern and south-eastern boundaries of that reserve to the

most southern angle of the said reserve; thence by a line bearing south 31 deg. 53 min. east to the north-western boundary of the recreation reserve; thence south-westerly by the last-mentioned boundary and by a line in continuation thereof to the north-eastern boundary of allotment 113; thence north-westerly and westerly by the north-eastern and northern boundaries of that allotment and by a line in continuation of the last-mentioned boundary to the point of commencement.

The boundaries set out and described in the foregoing Schedule are shown on a plan approved by the Governor in Council and deposited in the office of the State Rivers and Water Supply Commission, 100-110 Exhibition-street, Melbourne.—(Corr. No. 46/7069.)

Given under my Hand and the Seal of the State of Victoria aforesaid, at Melbourne, this fourteenth day of May, in the year of our Lord One thousand nine hundred and forty-six, and in the tenth year of the reign of His Majesty King George VI.

(L.S.) WINSTON DUGAN.

By His Excellency's Command.

L. W. GALVIN,
Minister of Water Supply.

GOD SAVE THE KING!

APPOINTMENTS.

HIS Excellency the Governor of the State of Victoria, by and with the advice of the Executive Council thereof, has, by Orders made on the 7th day of May, 1946, been pleased to make the under-mentioned appointments, viz.:—

DEPARTMENT OF AGRICULTURE.

Officer of the Fifth Class.

PATRICK JOSEPH O'DONOGHUE to be an officer of the Fifth Class, Clerical Division, Department of Agriculture; a vacancy having occurred, and the Public Service Board having certified, on the 9th April, 1946, that an appointment is required, that there is no person available and fit in the Public Service to be promoted or transferred to fill the vacant office, and that the person named is entitled, under the provisions of the *Public Service Act 1928* to be appointed to fill such vacancy on probation for six months.

DEPARTMENT OF CHIEF SECRETARY.

Acting Registrars of Births and Deaths.

MARY FRANCES ANDERSON, at Ballarat, to date from 10th January, 1946, during the absence on leave of Kathleen Lyons Walker.

JOHN STAPLES GREENE, at Camperdown, to date from 16th January, 1946, during the absence on leave of Gordon Staples Greene.

NORMAN ELIJAH, at Casterton, to date from 9th February, 1946, during the absence on leave of Victor James Hurley.

ALEXANDER MCKINLEY EADIE, at Frankston, to date from 13th March, 1946, during the absence on leave of Percival Farquhar Cater Hosking.

MARGARET ELIZABETH CHRISTIAN CALLOW, at Harrow, to date from 7th March, 1946, pending a permanent appointment.

ALLAN LINDSAY JENKINS, at Hopetoun, to date from 20th March, 1946, during the absence on leave of Louisa Snell.

MAUD MARGARET COULSTON, at Kiewa, to date from 4th February, 1946, during the absence on leave of Joseph Coulston.

RUSSELL WOMERSLEY, at Mansfield, to date from 7th January, 1946, during the absence on leave of Arthur Stanley Thorpe.

ALFRED KENNETH PRICE, at Mirboo North, to date from 1st January, 1946, during the absence on leave of Ida Jessie Constable.

JOHN THOMAS WHITEHEAD, at Nhill, to date from 11th March, 1946, during the absence on leave of Elise Jessamy Whitehead.

ALFRED CECIL VIVIAN, at Numurkah, to date from 4th January, 1946, pending a permanent appointment.

ERNEST EDGAR MOULSDALE, at Red Cliffs, to date from 1st January, 1946, during the absence on leave of Emma Ann Mouldale.

DAVID EDGAR REID, at Rushworth, to date from 27th February, 1946, pending a permanent appointment.

MURIEL ELIZABETH GRAY, at Terang, to date from 1st February, 1946, during the absence on leave of Herbert William Hortle.

FRANCIS ARTHUR LANE, at Wangaratta, to date from 5th March, 1946, during the absence on leave of Robert Henry Fullerton.

LORNA ELSIE QUICK, at Warracknabeal, to date from 24th January, 1946, during the absence on leave of Richard Austin Evans.

MARY TUTTLE, at Whittlesea, to date from 2nd March, 1946, during the absence on leave of John Carlile Gibbs.

LESLIE GEORGE TAYLOR, at Wonthaggi, to date from 7th January, 1946, during the absence on leave of George Robert Bell.

MARGARET JEAN PERMEZEL, at Yackandandah, to date from 18th January, 1946, during the absence on leave of Leslie Norman Krutli.

JOHN TYLER SHEFFIELD, at Yarrowonga, to date from 12th February, 1946, during the absence on leave of Thomas Dunstan Barfield.

DEPARTMENT OF HEALTH.
Officers of the Fifth Class.

JOHN JONES and

PAUL GABRIEL NUGENT

to be Officers of the Fifth Class, Clerical Division, Department of Health; vacancies having occurred, and the Public Service Board having certified, on the 21st February, 1946, that appointments are required, that there are no persons available and fit in the Public Service to be promoted or transferred to fill the vacant offices, and that the persons named are entitled, under the provisions of the *Public Service Act 1928*, to be appointed to fill such vacancies on probation for six months.

Pre-school Educational Adviser.

FRANCES ROSE EMERSON

to be a Pre-school Educational Adviser (Female), General Division, Maternal and Child Hygiene Branch; a vacancy having occurred, and the Public Service Board having certified, on the 7th February, 1946, that an appointment is required, that there is no person available and fit in the Public Service to be promoted or transferred to fill the vacant office, and that the person named is entitled, under the provisions of the *Public Service Act 1928*, to be appointed to fill such vacancy on probation for six months.

Government Representative on Committee of Management of Hospital.

KEVIN FRANCIS RIORDAN,

to be Government Representative on the Committee of Management of the Mooroopna and District Base Hospital, *vice* William James Beattie, resigned.

Acting Medical Superintendent.

DR. LYALL LONGHURST LOVETT,

to be Acting Medical Superintendent of the Mental Hospitals, Mont Park and Janefield, and of the Repatriation Mental Hospital, Bundoora, *vice* Dr. William Bernard Ryan, on leave from and inclusive of 11th March, 1946.

Nurses.

ELLEN MARY GRAY and

MARY VERONICA STEWART

to be Nurses, Grade III., General Division, Mental Hygiene Branch; vacancies having occurred, and the Public Service Board having certified on the 5th and 18th March, 1946, that appointments are required, that there are no persons available and fit in the Public Service to be promoted or transferred to fill the vacant offices, and that the persons named are entitled, under the provisions of the *Public Service Act 1928*, to be appointed to fill such vacancies on probation for twelve months from and inclusive of the 27th January, 1946, and 15th July, 1945, respectively.

Trustees of Cemeteries.

RICHARD BRYANT SHILCOCK,

ALFRED HARRIS,

JAMES DUNCAN,

ROBERT THOMAS WATERS,

JOHN JAMES MCCUTCHEON,

BROWN HEARN, and

JOHN JAMES DISHON,

to be Trustees of the Cavendish Old Public Cemetery;

ALWYN BENZIE LLOYD

to be a Trustee of the Corryong Public Cemetery, *vice* J. B. Lloyd, deceased;

EDWARD BURDETT

to be a Trustee of the Hopetoun Public Cemetery, *vice* Robert Gulliver, deceased;

ARTHUR GABRIEL JENKINS

to be a Trustee of the Kyneton Public Cemetery, *vice* James Armstrong, deceased;

FREDERICK AUGUST HEINRICH

to be a Trustee of the Rainbow Public Cemetery, *vice* W. Friebe, resigned;

MAURICE JOHN PEARSON,

WILLIAM JOSEPH MOORE,

GEORGE McDONALD THOMPSON, and

WILLIAM LINDSAY BLAND,

to be Trustees of the Yarram New Public Cemetery; and

FRANK NORMAN ELLIOT JENKINS,

to be a Trustee of the Yarrowonga Public Cemetery, *vice* R. Stephens, resigned.

DEPARTMENT OF LABOUR.

Assistants (Male).

LESLIE THOMAS MCGEARY,

HERBERT THOMAS DONALDSON,

ALFRED NOTON HENSHALL,

ARTHUR JOHN ROBINSON,

THOMAS SINTON HEWITT,

EDGAR RICHARD FARQUHARSON,

ROBERT JAMES GRAHAM,

CYRIL NORMAN DAVIS,

BASIL QUIHAMPTON BENAÏM,

EDWARD JOSEPH GREEN,

ERNEST BERESFORD LONG, and

JOHN MELVILLE TULLIS,

to be Assistants (Male), General Division, Department of Labour; vacancies having occurred, and the Public Service Board having certified on the 17th April, 1946, that appointments are required, that there are no persons available and fit in the Public Service to be promoted or transferred to fill the vacant offices, and that the persons named are entitled, under the provisions of the *Public Service Act 1928*, to be appointed to fill such vacancies on probation for six months, to date from and inclusive of the 5th November, 1945.

DEPARTMENT OF LANDS AND SURVEY.

Officer of the Fifth Class.

FRANCIS PETER SCALLY

to be an Officer of the Fifth Class, Clerical Division; a vacancy having occurred, and the Public Service Board having certified, on the 25th March, 1946, that an appointment is required, that there is no person available and fit in the Public Service to be promoted or transferred to fill the vacant office, and that the person named is entitled, under the provisions of the *Public Service Act 1928*, to be appointed to fill such vacancy on probation for six months.

Member of the Committee of Management.

WILFRED ERNEST PAINTER

to be a Member of the Committee of Management of the land temporarily reserved on the 24th August, 1909, as a site for the recreation, convenience, and amusement of the people and for a Children's Playground at Melbourne, in the place of James Alexander Stillwell, resigned.

Managers of Commons.

FREDRICK GEORGE ANNETT

to be a Manager of the Branxholme Town Common for a period ending 31st December, 1947; and

ROBERT PAHL,

ALFRED DUNCAN CLARKE,

ARTHUR JAMES ROBERTSON.

JAMES GLEESON, senior, and

CYRIL JOHN CARTER.

to be Managers of the Edenhope Town Common for the period ending 31st December, 1948.

Trustees of Site.

THE BALLARAT DIOCESAN TRUSTEES

to be Trustees of the land permanently reserved on the 16th March, 1868, as a site for Church of England purposes, at Ballan, in the place of Charles Hugh Lyon, Charles Sluter, and The Right Reverend Samuel Thornton, all deceased.

DEPARTMENT OF LAW.

Magistrates.

ALEXANDER LAMPARD, Hopetoun,

to Keep the Peace in the Western Bailiwick of the State of Victoria;

IDA MARJORIE HOLLISTER, 95 The Parade, Ascot Vale, and

THOMAS HAROLD LANG, 207 Wood-street, Preston East,

to Keep the Peace in the Central Bailiwick of the State of Victoria; and

WILLIAM THOMAS FOLEY, 807 Macarthur-street, Ballarat,

to Keep the Peace in the Southern Bailiwick of the State of Victoria.

Deputy Clerk of the Peace, &c.

CHARLES EDGAR ELVISII

to be also Deputy Clerk of the Peace, Registrar of the County Court, Clerk of Petty Sessions and Clerk of the Children's Court at Wangaratta, and Clerk of Petty Sessions and Clerk of the Children's Court at Chiltern and Rutherglen, during the absence on annual leave of N. J. Scannell; and as Deputy Clerk of the Peace and Registrar of the County Court at Wangaratta, to be appointed by virtue of section 92 of the *Juries Act 1928*, to do and perform with respect to the Courts at that place, in the place and stead of the Sheriff, all such acts and things as the Sheriff is, by the said Act, authorized or required to do or perform during the absence on annual leave of N. J. Scannell.

Clerk of Petty Sessions.

CECIL WALLIS MORNEMENT
to be also Clerk of Petty Sessions, at Prahran, in the place of K. A. McDonald, relieved.

Acting Clerks of Petty Sessions, &c.

DARYL YEAMAN
to be also Clerk of Petty Sessions and Clerk of the Children's Court at Cobram, Nathalia, and Numurkah, during the absence on annual leave of J. L. Collins; and to be also Clerk of Petty Sessions and Clerk of the Children's Court at Dookie, Mooropna, Murchison, Rushworth, and Tatura, during the absence on sick leave of J. E. O'Connor;

ALEXANDER VALE
to be also Clerk of Petty Sessions, at Collingwood, during the absence on annual leave of L. S. F. Smith; and

HENRY VICTOR BOARDER
to be also Clerk of Petty Sessions and Clerk of the Children's Court at Echuca, Elmore, Kyabram, and Rochester, during the absence on annual leave of P. J. Kelly.

Assistant Registrar.

HENRY VICTOR BOARDER
to be an Assistant Registrar, pursuant to the provisions of sections 20 and 21 of the *County Court Act 1928*, for the County Court at Bendigo during the absence on annual leave of P. J. Kelly.

Probation Officers.

ARCHIE CLEMENT MUDFORD, Stawell, and
IVOR REGINALD MAGGS, 69 Newry-street, Prahran,
to be Probation Officers, pursuant to the provisions of section 8 of the *Children's Court Act 1928* for the Children's Courts at Stawell and Prahran respectively.

Commissioners for Taking Declarations, &c.

CHARLES ALBERT MONEY, V.X.127978, Staff Sergeant,
A.M.F. Discharge Depot Cash Office, Royal Park,
to be a Commissioner for taking Declarations and Affidavits, pursuant to the provisions of Division 8 of Part IV. of the *Evidence Act 1928*—to refrain from charging fees and to resign upon ceasing to occupy his present position;

CHARLES RUPERT LEIGH EDWARDS, 108 Malpas-street,
Preston,
JOHN ABRAHAM CRABTREE, 33 Sussex-street, South
Preston,
MARTIN ANTHONY KELLY, 40 Beauchamp-street, Preston,
and
FRANCIS PATRICK KEATING, 6 Kalimna-street, West
Preston,

to be Commissioners for taking Declarations and Affidavits, pursuant to the provisions of Division 8 of Part IV. of the *Evidence Act 1928*—to resign upon removing from the neighbourhood of the addresses stated; and

ERNEST GEORGE PETER JANSEN, 57 and 119 Swanston-street, Melbourne,
JOHN JAMES COLLINS, Canterbury-street, Newmarket,
FREDERICK ROBERT CRAWFORD, 91 Dunlaven-road, Mitcham,
and

FRANK YOULTEN TURLEY, Wangaratta Base Hospital,
Wangaratta,
to be Commissioners for taking Declarations and Affidavits, pursuant to the provisions of Division 8 of Part IV. of the *Evidence Act 1928*—to resign upon removing from the neighbourhood of the addresses stated.

Sheriff's Bailiff, &c.

FRANCIS ROBERT WARREN, First Constable of Police,
White Hills,
to be also a Sheriff's Bailiff and Bailiff of the County Court at Bendigo, in the place of J. C. Bentley, resigned—fees.

Officers Authorized to Attest Instruments.

JOHN MCMORRIS COTTRELL and
KENNETH MCCRACKEN HEAL,
Officers of The Union Bank of Australia Limited,
Melbourne,
pursuant to the provisions of section 191 of the *Transfer of Land Act 1928*, to be authorized to attest instruments and powers of attorney under the said Act signed by any person within the limits of Victoria.

DEPARTMENT OF MINES.

Officer of the Fifth Class.

KEVIN MATTHEW MCGARVIN
to be an Officer of the Fifth Class, Clerical Division, Department of Mines; a vacancy having occurred, and the Public Service Board having certified, on the 25th March, 1946, that an appointment is required, that there is no person available and fit in the Public Service to be promoted or transferred to fill the vacant office, and that the person named is entitled, under the provisions of the *Public Service Act 1928*, to be appointed to fill such vacancy on probation for six months.

Deputy Mining Registrar.

HELEN HEMPENSTALL
to act as Deputy Mining Registrar at Koetong, *vice* Catherine Lucy Hепенstall, retired—fees received to be the only remuneration.

Warden's Clerk.

RALPH FRANCIS BROWN
to act as Warden's Clerk at Orhost, *vice* Frederick William Castle, deceased.

DEPARTMENT OF PUBLIC WORKS.

Wharf Manager.

First Constable GEORGE ALFRED SLADE KNOWLES, No. 7442,
to be Wharf Manager at Sorrento, to carry out that portion of Part II. of the *Marine Act 1928* which relates to the management of public wharfs, and to be an officer under section 19 of such Act to levy and collect wharfage rates thereat, *vice* First Constable Hedger, retired.

TRANSPORT REGULATION BOARD.

Secretary of Board.

ERIC VERNON NICHOLLS FIELD
to be Secretary to the Transport Regulation Board, as from the 1st May, 1946, under the provisions of section 14 (1) of the *Transport Regulation Act 1932*.

DEPARTMENT OF TREASURER.

Receivers of Revenue (Acting).

HENRY VICTOR BOARDER
to act as Receiver of Revenue, Echuca, during the absence of P. J. Kelly on leave; and
CHARLES EDGAR ELVISH
to act as Receiver of Revenue, Wangaratta, during the absence of N. J. Scannell on leave.

DEPARTMENT OF WATER SUPPLY.

Water Bailiffs.

DAVID SILAS ATKINS and
WALTER EDWARD KENNEDY
to be Water Bailiffs, General Division, Department of Water Supply; vacancies having occurred, and the Public Service Board having certified, on the 4th April, 1946, that appointments are required, that there are no persons available and fit in the Public Service to be promoted or transferred to fill the vacant offices, and that the persons named are entitled, under the provisions of the *Public Service Act 1928*, to be appointed to fill such vacancies on probation for six months, to date from and inclusive of 4th March, 1946.

Waterworks Trust Commissioners.

ARTHUR PHILLIPS
to be a Commissioner of the Warragul Waterworks Trust for a period of four years, dating from the 10th May, 1946, his present term of office expiring on the 18th May, 1946; and

SYDNEY HERBERT BRADSHAW
to be a Commissioner of the Healesville Waterworks Trust, *vice* Charles Horace Strachan-Smith, resigned, and to hold office as such from the date hereof until the 20th August, 1947, subject to the provisions of the Water Acts.

C. W. KINSMAN,

Clerk of the Executive Council.

At the Executive Council Chamber,
Melbourne, the 7th May, 1946.

RESIGNATIONS

HIS Excellency the Governor of the State of Victoria, by and with the advice of the Executive Council thereof, has, by Orders made on the 7th day of May, 1946, accepted the resignations of the persons named hereunder of the offices mentioned, *viz.*:—

DEPARTMENT OF CHIEF SECRETARY.

ALFRED EDWARD BARTLETT, as Registrar of Marriages at Echuca.

DEPARTMENT OF HEALTH.

MARY PATRICIA O'DONNELL, Seamstress Nurse, Mental Hygiene Branch, as an officer of the Public Service of Victoria, from and inclusive of the 1st March, 1946.

BELLA MAY VARNEY, Nurse, Grade III., Mental Hygiene Branch, as an officer of the Public Service of Victoria, from and inclusive of the 9th February, 1946.

DEPARTMENT OF LAW.

- IAN ANDREW NEIL MCARTHUR, Clerk, Class V., as an officer of the Public Service of Victoria, to take effect as from and inclusive of the 27th April, 1946.
- JOHN AUGUSTINE KEELY, Clerk, Class V., as an officer of the Public Service of Victoria, to take effect as from and inclusive of the 24th April, 1946.
- DOUGLAS LLOYD EVERY, Clerk, Class V., County Court, Melbourne, as an officer of the Public Service of Victoria, to take effect as from and inclusive of the 27th April, 1946.
- DOROTHY MARY SKEHAN, Assistant (Female), Grade IV., Office of Titles, as an officer of the Public Service of Victoria, to take effect as from and inclusive of the 28th April, 1946.
- MERVYN WRIGHT HICKS, as a person authorized, pursuant to the provisions of section 191 of the *Transfer of Land Act 1928*, to attest instruments and powers of attorney under the said Act signed by any person within the limits of Victoria.
- JOHN CHARLES BENTLEY, as a Sheriff's Bailiff and a Bailiff of the County Court at Bendigo.

TRANSPORT REGULATION BOARD.

- FRANK PETER MOUNTJOY, as Secretary to the Transport Regulation Board, under the provisions of section 14 (1) of the *Transport Regulation Act 1932*, from and inclusive of the 30th April, 1946.

C. W. KINSMAN,
Clerk of the Executive Council.

At the Executive Council Chamber,
Melbourne, the 7th May, 1946.

Public Service Act 1928 (No. 3757), Sections 90 and 91.
EXEMPTION.

HIS Excellency the Governor of the State of Victoria, by and with the advice of the Executive Council thereof, and upon the recommendation of the Public Service Board, has, by an Order made on the 7th day of May, 1946, exempted the officers specified hereunder from the provisions of sections 90 and 91 of the *Public Service Act 1928* (No. 3757):—

DEPARTMENT OF PREMIER.

Officers of the Premier's Office, Department of Premier, who are required to work overtime in connexion with the administration of flood relief—such exemption to be operative for a period of two (2) months from and inclusive of the 1st April, 1946.

C. W. KINSMAN,
Clerk of the Executive Council.

At the Executive Council Chamber,
Melbourne, the 7th May, 1946.

PUBLIC SERVICE OF VICTORIA.—VACANCIES,
PROFESSIONAL DIVISION.

APPLICATIONS will be received by the Public Service Board from persons, who are eligible and qualified, for appointment to the under-mentioned positions:—

Chemist (Male), Class "D," Explosives and Magazine Branch, Department of Chief Secretary.

Yearly Salary.—£351, minimum; £436, maximum.

Duties.—To examine and test explosives, to assist in the inspection of explosives factories and to perform other inspectional and technical duties as required.

Qualifications.—To possess a degree or diploma of a recognized University or Technical College with Chemistry as a major subject, and temperamental suitability for explosives work and, preferably, to be over 25 years of age.

Draughtsman (Mechanical), Class "D," Department of Public Works. (Two vacancies.)

Yearly Salary.—£351, minimum; £436, maximum.

Duties.—To prepare, under direction, plans, specifications, and estimates of mechanical installations and services in all types of public buildings.

Qualifications.—To have completed a Technical School diploma course in mechanical engineering or a major part thereof; to possess engineering workshop and drawing office experience, and a good general knowledge of mechanical engineering, especially in relation to heating, hot water supply, air conditioning, refrigeration, and steam plant layout and calculations pertaining thereto.

Assistant, Class "E," National Museums Branch, Department of Chief Secretary.

Yearly Salary.—£117, minimum; £351, maximum.

Duties.—To assist and understudy senior scientific officers, to keep collections in good order, to register specimens, and to assist in the general work of the museum.

Qualifications.—To possess the School Leaving Certificate, including Biology, or to have attained an approved equivalent standard of education. Some experience in the mounting and display of natural history specimens is desirable.

NOTE.—In addition to the salary rates quoted, the cost of living adjustment at the rate of £15 a year, in the case of minors, and £30 a year, in the case of adults, is payable. The rates are subject to variation in accordance with the rise or fall in the index numbers of the cost of living.

Applications which should be accompanied by evidence of experience and qualifications, and a statement of date and place of birth, should be lodged at this office not later than Friday, the 24th May, 1946.

By order,
J. FRAZER,
Secretary.

Office of the Public Service Board,
Melbourne, 14th May, 1946.

PUBLIC SERVICE OF VICTORIA.—VACANCIES.

APPLICATIONS will be received by the Public Service Board up to Friday, the 24th May, 1946, from officers of the Public Service of Victoria, who are eligible and qualified, for appointment to the under-mentioned positions:—

PROFESSIONAL DIVISION.

Assistant Government Medical Officer, Class "A," Department of Health.

Yearly Salary.—£722, minimum; £800, maximum.

Duties.—To assist the Government Medical Officer, to act as Medical Officer at His Majesty's Gaol, Pentridge, to assist in the special investigation of certain prisoners, and to furnish reports thereon for the guidance of the courts and Crown Law Department.

Qualifications.—To be a legally qualified male medical practitioner registered in Victoria, with a good general knowledge in the practice of medicine. A knowledge of and experience in mental diseases are also desirable.

Vice-Principal, Agricultural College, Class "B," Department of Agriculture.

Dookie 1 vacancy.
Longerenong .. . 1 vacancy.

Yearly Salary.—Dookie, £592, minimum; £644, maximum. Longerenong, £592, minimum; £618, maximum. A charge of 10 per cent. of total emolument payable by way of salary will be made for rent, fuel, light, power, and water.

Duties.—To assist the Principal generally in the administration of the College and to take charge of it during the absence of the Principal; to teach one or more subjects of the College curriculum and to perform such other duties as the Principal may direct.

Qualifications.—To possess a University degree in Agricultural Science, Science or Arts, together with a degree or diploma in Education and sound experience on the staff of an agricultural college.

Engineer, Class "C," Department of State Forests.

Yearly Salary.—£449, minimum; £579, maximum.

Duties.—Under the direction of the Chief Engineer, to prepare plans and specifications, and estimates for the construction of roads and bridges, to make the necessary surveys and investigations in connexion therewith, and to control and supervise the carrying out of such works; to advise on the location, lay-out, and construction of soil and water conservation and distribution works, and generally to perform works of an engineering character.

Qualifications.—To possess a University degree in Civil Engineering and to have had experience in both engineering and forestry practice.

Senior Inspector of Works (Supervision of Major Works), Class "C," Department of Public Works.

Yearly Salary.—£449, minimum; £501, maximum.

Duties.—To supervise and inspect major building works under contract or day labour and to report upon the structural requirements of existing buildings.

Qualifications.—To be technically qualified in building construction and to have wide practical experience in controlling the erection of multi-storied and important city structures and major institutional buildings.

Working Plans Officer (Plantations), Classes "C" and "B," Department of State Forests.

Yearly Salary.—£527, minimum; £644, maximum.

Qualifications.—To possess a degree in Forestry or a diploma of a recognized School of Forestry, a thorough experience of plantation and nursery technique, and a sound knowledge of the Forests Acts and Regulations and of Victorian forestry practice and procedure.

Divisional Working Plans Officer, Classes "C" and "B," Department of State Forests. (Two vacancies.)

Yearly Salary.—£527, minimum; £644, maximum.

Qualifications.—To possess a degree in forestry or a diploma of a recognized School of Forestry, and a thorough knowledge of the Forests Act and Regulations and of Victorian forestry practice and procedure.

Architect, Classes "C" and "B," Department of State Forests.

Yearly Salary.—£527, minimum; £644, maximum.

Duties.—To generally supervise, under direction, the preparation of plans and specifications and the erection of all buildings and camps.

Qualifications.—To be an experienced Architect, competent to practise sound and efficient methods in architectural and structural design, including the installation of forest, plantation and roading camps, water supply, drainage, and septic tank constructions, and to be capable of directing and controlling the staff of the Branch.

CLERICAL DIVISION.

First Class Clerk, Department of Lands and Survey.

Duties.—To assist in the supervision and administration of the whole of the Occupation Branch, particularly with regard to Closer Settlement cases.

Qualifications.—To possess an intimate knowledge of the various Acts and Regulations affecting the occupation of all land dealt with in the Department and ability to control a large staff, and to deal with the public on matters of a contentious nature.

Third Class Clerk, Audit Office, Department of Premier.

Duties.—To audit the accounts of the Country Roads Board and of the Motor Registration Branch, Police Department.

Qualifications.—To be a qualified Accountant, to have a thorough knowledge of the Country Roads Act, the Motor Car Acts, the Audit Act and Regulations thereunder, and of Treasury and Audit procedure. Experience in the control of mechanized systems is essential.

Third Class Clerk, Attendance Branch, Department of Public Instruction.

Duties.—To have charge of the Attendance branch; to deal with applications for exemption from attendance at school; and to advise upon special cases of employment, habitual default, and defective children.

Qualifications.—To possess a good knowledge of the Education Acts and Regulations relating to attendance at school, ability to control and direct a staff, an intimate acquaintance with departmental organization and procedure, and ability to write special reports.

Third Class Clerk, Teachers Branch, Department of Public Instruction.

Duties.—To take charge during the absence of the head of the Branch, to keep the Employment Register, to deal with all claims for travelling expenses of teachers, to assist in collating details and statistics for statements and reports, and to assist the Secretary, Committee of Classifiers, Primary Schools Division.

Qualifications.—To have a thorough knowledge of the Public Service and Education Acts relating to teachers and of the Regulations thereunder, and an intimate acquaintance with departmental practice and procedure.

Third Class Clerk, Live Stock Division, Department of Agriculture.

Duties.—To have charge of the work in connexion with the Cattle Compensation and Swine Acts; to check record, and have general oversight of all Accounts (expenditure) in the Live Stock Division; to prepare the Divisional Estimates of Revenue and Expenditure, and to perform duties of special nature.

Qualifications.—To possess a thorough knowledge of the Cattle Compensation and Swine Acts, the various Acts administered by the Live Stock Division, and the Regulations thereunder, and of the Regulations governing Public Accounts.

Fourth Class Clerk, Department of Public Works.

Duties.—Under the direction of the Accountant, to deal with accounts relating to the Department's floating plant, &c., and to prepare Profit and Loss Account and Balance-sheet in connexion with lighterage of explosives.

Qualifications.—To possess a good knowledge of the Marine Act, Port Rules, and the Public Accounts and Stores and Transport Regulations. The possession of accountancy qualifications is desirable.

Fourth Class Clerk, Records Branch, Department of Water Supply.

Duties.—To have charge of the opening of mail and tenders and to assist with the registration and filing of correspondence.

Qualifications.—To have ability to supervise a staff when required, to possess a good practical knowledge of the registration and filing of correspondence, and to have had experience in the writing of précis and in departmental procedure in dealing with official papers.

Fourth Class Clerk, Rocklands Reservoir, Department of Water Supply.

Duties.—To record the time and the nature of the work performed daily by each employee, to prepare fortnightly time and wages sheets and to supervise the work of timekeepers.

Qualifications.—To have a good knowledge of industrial awards and workers' compensation acts applying to construction works and experience in the recording of attendances and the computation of wages.

NOTE.—In addition to the salary rates quoted, a cost of living adjustment at the rate of £30 a year is payable. The rates are subject to variation in accordance with the rise or fall in the index numbers of the cost of living.

By order,

J. FRAZER,

Secretary.

Office of the Public Service Board,
Melbourne, 14th May, 1946.

PUBLIC SERVICE OF VICTORIA.—VACANCIES.

TEMPORARY APPOINTMENTS.

APPLICATIONS will be received by the Public Service Board from persons, who are qualified, for appointment to the under-mentioned positions:—

Valuer, Department of Water Supply. (Three vacancies.)

Yearly Salary.—£449, minimum; £553, maximum.

Duties.—To make and return valuations under the provisions of the Victorian Water Acts for—

(a) Rating of rural properties in the Irrigation and Water Supply Districts and the Water Works Districts under the jurisdiction and control of the State Rivers and Water Supply Commission.

(b) Land compensation for land compulsorily acquired for the Commission's works.

Qualifications.—To be a Member or Associate Member of the Commonwealth Institute of Valuers by examination, or to have other equivalent qualification; to possess a good knowledge of principles of land valuation as well as some knowledge of Agriculture, elementary geology and surveying, and to be prepared to support valuations in court if necessary. Successful applicants will be required to provide their own transport for which regulation mileage rates will be paid.

Assistant Engineer, Soil Conservation Board, Department of Premier.

Yearly Salary.—£423, minimum; £475, maximum, commencing salary according to experience and qualifications.

Duties.—To prepare designs, plans and estimates of earth works and concrete structures for soil conservation work on demonstration and other areas.

Qualifications.—Applicants should possess a University degree or day diploma in civil or hydraulic engineering. Experience in soil conservation and civil engineering construction is desirable.

Dairy Produce Inspector, Department of Agriculture.*Salary.*—£420 a year.*Duties.*—To instruct in dairy produce factory management and practice and to inspect and supervise butter factories and dairy produce and factory accounts.*Qualifications.*—To be a certified tester, grader and butter-maker with practical butter factory experience.*NOTE.*—In addition to the salary rates quoted a cost of living allowance at the rate of £30 a year is payable. The rates are subject to variation in accordance with the rise or fall in the index numbers of the cost of living.

Applications, which should be accompanied by evidence of experience and qualifications and a statement of date and place of birth, should be lodged at this office not later than Friday, the 31st May, 1946.

By order,
J. FRAZER,
Secretary.Office of the Public Service Board,
Melbourne, 14th May, 1946.**PUBLIC SERVICE OF VICTORIA.—VACANCIES.
GENERAL DIVISION.****A**PPPLICATIONS will be received by the Public Service Board up to Friday, the 31st May, 1946, from officers of the Public Service who are qualified for appointment to the under-mentioned positions:—**Engineer Mechanic, Grade II., Repatriation Mental Hospital, Bundoora, Mental Hygiene Branch, Department of Health.***Salary.*—£354 a year, less deductions for quarters and allowances.*Duties.*—To have charge of large modern engineering plant including steam boilers, hot and cold water services, pumping and cooking appliances and electric installation.*Qualifications.*—To possess a Boiler Attendant's Certificate or higher qualification, to have served an engineering apprenticeship and to have knowledge of plumbing.**Inspector of Factories and Shops, Department of Labour.***Yearly Salary.*—£351, minimum; £436, maximum.*Duties.*—To visit and inspect factories, shops, and other places, subject to the jurisdiction of the Department of Labour, for the purpose of advising upon and enforcing the provisions of the Factories and Shops Acts and other Acts administered by the Department, particularly in relation to wages, working conditions, and dangerous machinery in factories, and generally in relation to the health, safety, and convenience of the workers.*Qualifications.*—To have had experience as a Junior Inspector of Factories; to be physically strong and mentally alert; to be capable of conducting investigations and of making notes rapidly; to have a good knowledge of the Factories and Shops Acts and Regulations thereunder; to have a knowledge of elementary industrial hygiene, and of the principles governing the causation and prevention of accidents; to be able to detect dangerous and potentially dangerous machinery and advise as to the effective guarding of same, to be familiar with Court proceedings, and to be able to conduct prosecutions.*NOTE.*—In addition to the salary rates quoted a cost of living allowance at the rate of £30 a year is payable. The rates are subject to variation in accordance with the rise or fall in the index numbers of the cost of living.By order,
J. FRAZER,
Secretary.Office of the Public Service Board,
Melbourne, 14th May, 1946.**PUBLIC SERVICE OF VICTORIA.—VACANCIES,
GENERAL DIVISION.****A**PPPLICATIONS will be received by the Public Service Board from persons, who are qualified, for appointment to the under-mentioned positions:—**Field Officer, Department of Agriculture. (Two vacancies.)***Yearly Salary.*—£319, minimum; £410, maximum.*Duties.*—To lay out and harvest cereal experimental plots, compute returns, make reports and assist generally in the work of the Field Branch.*Qualifications.*—To possess a Diploma or Certificate of an Agricultural College, and to submit evidence of experience in the laying out, management, harvesting and recording of results of cereal experimental plots.**Laboratory Attendant, Mental Hospital, Royal Park, Department of Health.***Yearly Salary.*—£299, minimum; £338, maximum.*Duties.*—To assist in laboratory and at post mortem examinations under direction of the pathologist.*Qualifications.*—To have had experience in chemistry up to leaving standard, and in laboratory duties in bio-chemistry and bacteriology, preferably in a hospital.**Reservoir Keeper, Maffra, Department of Water Supply.***Yearly Salary.*—£325, minimum; £351, maximum.*Qualifications.*—To have a practical knowledge of the regulating of water and of the maintenance and operation of electric and hydraulic machinery; to have experience in charge of men engaged on construction works, &c., and to be capable of keeping records of stores and costs of various operations, preparing pay sheets, and supervising casual labour.*NOTE.*—In addition to the salary rates quoted a cost of living allowance at the rate of £30 a year is payable. The rates are subject to variation in accordance with the rise or fall in the index numbers of the cost of living.

Applications (which should be accompanied by evidence of experience and qualifications and a statement of date and place of birth) should be lodged at this office not later than Friday, the 31st May, 1946.

By order,
J. FRAZER,
Secretary.Office of the Public Service Board,
Melbourne, 14th May, 1946.**EXAMINATION OF APPLICANTS FOR LICENCE AS
SHORTHAND WRITER.****I**T is hereby notified that an examination of applicants for Licence as Shorthand Writer will be held at the Law Courts, Melbourne, on Saturday, the 29th June, 1946, at Eleven o'clock a.m.

Applications for permission to attend the examination, together with an entry fee of ten shillings and six pence (10s. 6d.), must be forwarded to reach the Public Service Board's Office, Public Offices, Treasury-place, Melbourne, C.2 (where a copy of the Regulations may be obtained), not later than the 7th June, 1946.

Satisfactory evidence of—

- (1) Name in full,
 - (2) Having attained the age of twenty-one (21) years, and
 - (3) Good moral character,
- should be submitted with application.

By order,
J. FRAZER,
Secretary.Office of the Public Service Board,
Melbourne, 14th May, 1946.*Public Service Act 1928 (No. 3757). Section 180.***REGULATIONS.—CHAPTER XIII.—LEAVE
OF ABSENCE.****T**HE Public Service Board, in pursuance of the powers vested in it, hereby amends Chapter XIII. of the Public Service Regulations, as shown below, and submits the same for the approval of the Governor in Council:—**SICK LEAVE.**

Clause 4 (a)—

*For the words "four days" read the words "eight days".
To take effect as from and inclusive of the 10th April, 1946.*D. D. PAINE, Chairman.
E. F. FITZGIBBON, Acting Secretary.Office of the Public Service Board,
Melbourne, 10th April, 1946.Approved by the Governor in Council,
7th May, 1946.C. W. KINSMAN,
Clerk of the Executive Council.

Act No. 3757, Section 66 (1).
REGULATIONS.—PROFESSIONAL DIVISION.
CHAPTER II.

THE Public Service Board, in pursuance of the powers vested in it, hereby amends Chapter II. of the Public Service Regulations as shown below, and submits the same for the approval of the Governor in Council:—

Department and Office.	Yearly Rate of Salary.	
	Minimum.	Maximum.
DEPARTMENT OF PUBLIC INSTRUCTION.	£	£
CLASSES "D" AND "C."		
<i>Add—</i> Chief Visual Education Officer	372	468
<i>To take effect as from and inclusive of the 3rd April, 1946.</i>		
DEPARTMENT OF STATE FORESTS.		
CLASSES "C" AND "B."		
<i>Repeal—</i> Inspector of Forests	468	576

D. D. PAINE, Chairman.
E. F. FITZGIBBON, Acting Secretary.
Office of the Public Service Board,
Melbourne, 3rd and 9th April, 1946.
Approved by the Governor in Council,
7th May, 1946.
C. W. KINSMAN,
Clerk of the Executive Council.

Act No. 3757, Section 66 (VIII).
REGULATIONS.—CLASSIFICATION OF GENERAL DIVISION.
CHAPTER VII.

THE Public Service Board, in pursuance of the powers vested in it, hereby amends Chapter VII. of the Public Service Regulations as shown below, and submits the same for the approval of the Governor in Council:—

Department and Office.	Yearly Rate of Salary.	
	Minimum.	Maximum.
DEPARTMENT OF TREASURER.	£	£
STAMP DUTIES.		
<i>For—</i> Machineman, Senior	291	335
<i>Read—</i> Machineman, Senior	291	348
<i>To take effect as from and inclusive of the 15th April, 1946.</i>		
DEPARTMENT OF CHIEF SECRETARY.		
CHILDREN'S WELFARE.		
<i>For—</i> Attendant (Male)	244	280
Attendant (Male), Charge	312	312
Attendant (Male), Senior	296	296
Officer in Charge, Boys' Depots	274	330
<i>Read—</i> Attendant (Male)	247	286
Attendant (Male), Charge	325	338
Attendant (Male), Senior	299	312
Officer in Charge, Boys' Depots	351	364
<i>To take effect as from and inclusive of the 1st September, 1945.</i>		

D. D. PAINE, Chairman
E. F. FITZGIBBON, Acting Secretary.
Office of the Public Service Board,
Melbourne, 15th April, 1946.
Approved by the Governor in Council,
7th May, 1946.
C. W. KINSMAN,
Clerk of the Executive Council.

Slum Reclamation and Housing Acts (Section 40 of Act 4996).

GENERAL NOTICE TO PARTIES EMPOWERED BY THE "LANDS COMPENSATION ACT 1928" TO SELL AND CONVEY OR GRANT AND RELEASE, PURSUANT TO PARAGRAPH (b) OF SECTION 40 OF ACT 4996.

GENERAL NOTICE TO TREAT FOR LAND AT MAIDSTONE—BRAYBROOK No. 3.

IN pursuance of the provisions contained in the *Housing Act 1943* (No. 4996) and the *Lands Compensation Act 1928* (No. 3711), the Housing Commission (hereinafter referred to as "the Commission") hereby doth give notice that the lands, tenements, and hereditaments described in the Schedule hereto are required for the purpose of the Slum Reclamation and Housing Acts, and that the Commission is authorized by consent of the Treasurer as required by paragraph (a) of sub-section (1) of section 4 of Act 4996, to purchase or take compulsorily the said lands.

And the Commission accordingly hereby gives notice to all the parties interested in such land and to all the persons empowered by the *Lands Compensation Act 1928* to sell and convey or grant and release the land so required, that it requires to take and purchase the land referred to in the said Schedule hereto, and that it is willing to treat with such parties or persons for the purchase thereof and as to the compensation to be made and for the damage that may be sustained by reason of the execution of the works.

And further the Commission hereby requires such parties or persons on or before the expiration of twenty-one days from the 1st day of June, 1946, to deliver to the offices of the Commission, at 147 Collins-street, Melbourne, a statement, in writing, of the particulars of the estate and interest in the said lands, tenements, and hereditaments, and of the claims made in respect thereof.

Dated the 1st day of May, 1946.

By order of the Commission,

J. H. DAVEY,
Secretary.

SCHEDULE.

Firstly, all that land within the Shire of Braybrook commencing at the intersection of the south boundary of Mitchell street and the west boundary of Havelock-street; thence generally southerly by the said west boundary of Havelock-street to the northern boundary of Ballarat-road; thence north-westerly by the said northern boundary of Ballarat-road to the south boundary of Mitchell-street; and thence easterly by the said south boundary of Mitchell-street to the point of commencement.

Secondly, all that land within the Shire of Braybrook commencing at the intersection of the southern boundary of Ballarat-road and the west boundary of Thomson-street; thence generally southerly by the said west boundary of Thomson-street to the north boundary of Suffolk-street; thence westerly by the said north boundary of Suffolk-street to the east boundary of Ashley-street; thence northerly by the said east boundary of Ashley-street to the southern boundary of Ballarat-road; and thence south-easterly by the said southern boundary of Ballarat-road to the point of commencement.

Thirdly, all that land within the Shire of Braybrook commencing at the intersection of the east boundary of Duke-street, formerly known as Boundary-road, and the south boundary of Ballarat-road; thence generally easterly by the said south boundary of Ballarat-road to the west boundary of Ashley-street; thence southerly by the said west boundary of Ashley-street to the north boundary of South-road; thence westerly by the said north boundary of South-road to the east boundary of Duke-street; thence northerly by the said east boundary of Duke-street to the south boundary of Myalla-street; thence easterly by the said south boundary of Myalla-street and the production easterly thereof to the east boundary of Darnley-street; thence northerly by the said east boundary of Darnley-street to the north boundary of Lilly-street; thence westerly by the said north boundary of Lilly-street to the east boundary of Duke-street; and thence northerly by the said east boundary of Duke-street to the point of commencement.

Plans are available for inspection at the offices of the Commission, Fourth Floor, T. and G. Building, 147 Collins-street, Melbourne, and at the Braybrook Shire Hall, Sunshine, and forms for the making of claims will also be available at these places or on application by letter to the Commission.

Transport Regulation Acts.
TRANSPORT REGULATION BOARD.

NOTICES OF PUBLIC HEARINGS.

NOTICE is hereby given that the applications made by the persons named below for licences to operate the commercial passenger or goods vehicles on the route or routes, or in the manner set out opposite their names, will be heard at a time and place to be communicated to the parties:—

Name of Applicant; Nature of Application.

- SWEENEY, J. P.; 1 commercial passenger vehicle, with seating capacity for five persons, to operate on tours as follows:—
1. *Fourteen-day Tour*.—Melbourne, Yallourn, Lakes Entrance, Cann River, Nimmitabelle, Canberra, Cooma, Mt. Kosciusko, Yarrangobilly Caves, Tumut, Tumarumba, Corryong, Omeo, Mt. Hotham, Mt. Buffalo, Myrtleford, Mansfield, Marysville, Melbourne.
 2. *Seven-day Tour*.—Melbourne, Ballarat, Hall's Gap, Hamilton, Mt. Gambier, Portland, Port Campbell, Lavers Hill, Apollo Bay, Lorne, Melbourne.
 3. *Four-day Tour*.—Melbourne, Marysville, Mansfield, Wood's Point, Walhalla, Yallourn, Noojee, Warragul, Melbourne.
 4. *Three-day Tour*.—Melbourne, Yallourn, Tarra Valley, Yarram, Inverloch, Wonthaggi, Melbourne.
- DALEY, J. & B. L., SWEENEY, J. P., & PHILLIPS, C. E. (trading as Success Tourist Service); 1 commercial passenger vehicle each, with seating capacity for five persons, to operate on tours as follows:—
1. *Three-day Tour*.—Melbourne, Colac, Forrest, Apollo Bay, Cape Otway, Lorne, Melbourne.
 2. *Three-day Tour*.—Melbourne, Lilydale, Ben Cairn, Donna Buang, Warburton, Matlock, Woods Point, Walhalla, Erica, Moe, Yallourn, Melbourne.
 3. *Four-day Tour*.—Melbourne, Acheron Way, Marysville, Mansfield, Woods Point, Walhalla, Yallourn, Noojee, Warragul, Melbourne.
 4. *Three-day Tour*.—Melbourne, Yallourn, Tarra Valley, Inverloch, Melbourne.
 5. *Seven-day Tour (Summer Route)*.—Melbourne, Marysville, Mansfield, Myrtleford, Mt. Buffalo, Mt. St. Bernard, Mt. Hotham, Cobungra, Omeo, Bruthen, Lakes Entrance, Yallourn, Melbourne.
 6. *Seven-day Tour (Winter Route)*.—Melbourne, Marysville, Mansfield, Myrtleford, Mt. Buffalo, Tallangatta, Glen Wills, Omeo, Bruthen, Lakes Entrance, Yallourn, Melbourne.
 7. *Seven-day Tour*.—Melbourne, Ballarat, Hall's Gap, Hamilton, Mt. Gambier, Portland, Port Campbell, Lavers Hill, Apollo Bay, Lorne, Melbourne.
 8. *Seven-day Tour*.—Melbourne, Leongatha, Grand Ridge-road, Sale, Lakes Entrance, Cann River, Mallacoota, Genoa, Eden, Bombala, Orbost, Yallourn, Melbourne.
 9. *Nine-day Tour*.—Melbourne, Yallourn, Lakes Entrance, Cann River, Cooma, Canberra, Cooma, Mt. Kosciusko, Yarrangobilly Caves, Tumut, Walwa, Albury, Euroa, Melbourne.
 10. *Fourteen-day Tour*.—Melbourne, Yallourn, Lakes Entrance, Cann River, Nimmitabelle, Canberra, Cooma, Mt. Kosciusko, Adaminaby, Yarrangobilly Caves, Tumut, Tumarumba, Corryong, Omeo, Mt. Hotham, Harrieville, Mt. Buffalo, Myrtleford, Mansfield, Marysville, Acheron Way, Melbourne.
 11. *Fourteen-day Tour*.—Melbourne, Euroa, Gundagai, Canberra, Goulburn, Bathurst, Jenolan Caves, Sydney, Nowra, Bateman's Bay, Narooma, Eden, Cann River, Lakes Entrance, Yallourn, Melbourne.
- REID, D.; application for variation of licence C.34 to include tours as follows:—
1. Melbourne to Mornington and Canadian Bay, via Mont Albert, Canterbury, Burwood, and Dandenong, returning to Melbourne via Pt. Nepean-road and Beach-road.
 - 1A. From Melbourne to Mornington via St. Kilda-road, St. Kilda, thence via Coast-road, passing through Elwood, Brighton, Hampton, Sandringham, Black Rock, Beaumaris, Mordialloc, Chelsea, Carrum, Frankston, Mt. Eliza, Mornington, and return via Pt. Nepean-road, visiting Cheltenham, Moorabbin, and Gardenvale.
 2. From Melbourne, via Whitehorse-road to Croydon, and thence via Olinda, Sassafras, Nathania Springs, Monbulk, Ferny Dells, Belgrave, and Ferntree Gully, and returning to Melbourne via Ferntree Gully-road, Dandenong-road, and St. Kilda Beach.
 3. From Melbourne via Clifton Hill, Northcote, Preston, South Morang, Yan Yean, Whittlesea, and Scrubby Creek, to Kinglake, and on the return journey to Melbourne via Queenstown, Hurstbridge, Diamond Creek, Greensborough, Heidelberg, and Clifton Hill.
 4. From Melbourne via Ringwood, Lilydale, Warburton, Cement Creek and return either via Healesville or Warburton.
 5. From Melbourne to Arthur's Seat via Pt. Nepean-road, and returning to Melbourne via Dromana, New-road, and Pt. Nepean-road.
 6. From Melbourne via Black Rock, Balcombe and Dandenong-roads to Dandenong, thence via the Prince's Highway, and thence to Emerald, Selby, Belgrave, Fern-tree Gully and Burwood to Melbourne.
 - 6A. From Melbourne to Southern Dandenongs, including Beaconsfield and Emerald, via Prince's Highway to Beaconsfield, thence to Upper Beaconsfield and Emerald, returning via Cockatoo, Selby, Belgrave, Ferntree Gully and Burwood roads to Melbourne.
 7. From Melbourne to Mt. Dandenong, via Heidelberg, Templestowe, Warrandyte, Ringwood and Croydon, and returning via Olinda, Sassafras, Ferny Creek, One Tree Hill, Ferntree Gully, Lysterfield, Brighton, and St. Kilda.
 8. From Melbourne to Geelong and Barwon Heads, and returning via the Prince's Highway West.
 9. From Melbourne to Portsea via Frankston, Rosebud, and Sorrento, returning via Flinders, Balmarring, Hastings, and Frankston.
 10. From Melbourne to Woodend and Hanging Rock, returning via Macedon.
 11. From Melbourne to Healesville, Toolangi, and Mt. Slide, via Whitehorse-road to Lilydale and Healesville-road to Healesville, thence to Toolangi and Mt. Slide, returning to Melbourne via Yarra Glen, Christmas Hills, and Eltham-road.
 12. From Melbourne to Flinders, Arthur's Seat, Mornington Peninsula, via Pt. Nepean-road to Frankston, Mornington, Dromana, then to Arthur's Seat, to Flinders, and returning via Hastings, Somerville, Frankston, Mordialloc, and Beach-road to Melbourne.
 13. From Melbourne to Mt. Blackwood, Trentham Falls, via Western Highway to Myrning, thence to Mt. Blackwood, to Trentham and Woodend, and return via the Calder Highway to Melbourne.
 14. From Melbourne to Flowerdale, King Parrot Creek, via Whittlesea and West Kinglake, thence along the Flowerdale-road to Strath Creek and Kerrisdale to Tallarook and return to Melbourne via the Hume Highway.
 15. From Melbourne to Clifton Springs, Barwon Heads, Queenscliff, Bellarine Peninsula, via Prince's Highway to Geelong, thence to Clifton Springs, to Queenscliff, Point Lonsdale, Ocean Grove, Barwon Heads, and returning via Connewarre, Geelong to Melbourne.
 16. From Melbourne to Cowes, Phillip Island, via Pt. Nepean-road to Frankston, thence via Somerville, Tyabb, to Stony Point, via the Ferry to Cowes for a tour of the island. The return trip is along the same route.
 17. From Melbourne to Grand Ridge, via Prince's Highway, Cranbourne, Tooradin, Lang Lang, Grand Ridge-road, returning via Drouin and Prince's Highway to Melbourne.
 18. From Melbourne to Powelltown, via Box Hill, Lilydale, Seville, Launching Place, Yarra Junction, Gilderoy, visiting saw mills at Powelltown. Return is via the same route to Seville, thence via Silvan Dam, Monbulk, and Belgrave.
 19. From Melbourne to Lorne, via Prince's Highway to Geelong, thence via the Ocean-road, visiting Anglesea and Airey's Inlet. Return is via the same route.
 20. From Melbourne to Daylesford and Hepburn, via Western Highway through Melton, Bacchus Marsh, Myrning, Ballan, Daylesford, visiting Hepburn Minerni Springs, and return via Trentham, Woodend, and Calder Highway.
- CHAPMAN, C. G.; 1 commercial passenger vehicle, to be purchased, to operate as a town bus in the town of Kerang.
- WILLIAMS, G. J.; 1 commercial goods vehicle for the carriage of general goods between Cape Schanck, Boneo, Rosebud, Main Ridge, Red Hill, and Melbourne.
- ABERNETHY, E. T.; 1 commercial passenger vehicle, with seating capacity for eleven persons, to operate as follows:—
- (a) for the carriage of mails, passengers, and parcels between Eldorado, Londrigan, and Wangaratta, (b) charter conditions 20 miles Eldorado, (c) to draw a trailer behind the vehicle.
- STOLL, G. M.; 1 commercial passenger vehicle, with seating capacity for five persons, to operate as follows:—
- (a) separate and distinct fares within 6 miles Drouin South, not including Warragul, (b) private hire throughout Victoria.
- STEWART, H. W. R.; 1 commercial passenger vehicle, with seating capacity for twenty persons, for the carriage of passengers and parcels between Woods Point and Melbourne, leaving Woods Point, Monday, Wednesday, and Friday, and leaving Melbourne, Tuesdays, Thursdays, and Sundays.
- WILLIAMSON, V. M.; 1 commercial passenger vehicle, with seating capacity for five persons, to operate—
- (a) for the carriage of passengers at separate and distinct fares for each passenger within 15 miles Stawell, (b) private hire conditions within 20 miles Stawell.

- RECHNER, V.; 1 commercial passenger vehicle, with seating capacity for 23 persons, for the carriage of school children between Elmore and Kamarooka East.
- MANFIELD, K. E.; 1 commercial passenger vehicle, with seating capacity for five persons, to operate as follows:—(a) separate and distinct fares within 6 miles Traralgon, (b) private hire 30 miles Traralgon.
- MCPHIE, W. A.; 1 commercial passenger vehicle, with seating capacity for five persons, for the carriage of school children between Gerang Gerang and Glenlee.
- ISAACS, A. M., & H. L. PETERS; 1 commercial passenger vehicle, with seating capacity for twenty persons, for the carriage of passengers at separate and distinct fares for each passenger within 20 miles Warburton.
- OLIVER, R.; 1 commercial passenger vehicle, with seating capacity for eight persons, to operate as follows:—(a) separate and distinct fares within 8 miles Clunes, (b) private hire 20 miles Clunes.
- HARVEY, E. L.; 1 commercial passenger vehicle, for the carriage of passengers and mails between Ballarat and Avoca.
- MARLAND, G. A.; 1 commercial passenger vehicle, for the carriage of passengers, mails, newspapers, and parcels between Ballarat and Avoca.
- KRAFT WALKER CHEESE CO. PTY. LTD.; 1 commercial goods vehicle for the carriage of bulk cheese from Leitchville factory to Melbourne and from Melbourne on return journey supplies necessary for the operation of the factory at Leitchville, including petrol for use in collections and the company's finished products to country depots *en route*.
- KRAFT WALKER CHEESE CO. PTY. LTD.; 1 commercial goods vehicle for the carriage of bulk cheese from Drouin factory to Melbourne. From Melbourne on return journey supplies necessary for the operation of the factory at Drouin, including petrol for use in collections and the company's finished products to country depots *en route*.
- KRAFT WALKER CHEESE CO. PTY. LTD.; 1 commercial goods vehicle for the carriage of bulk cheese from Allansford and Garvoc factories to Melbourne. From Melbourne on return journey supplies necessary for the operation of the factories at Allansford and Garvoc, including petrol for use in collections and the company's finished products to country depots *en route*.
- WILLIAMS, H., & SON; 1 commercial goods vehicle for the carriage of engineering tools and equipment, machinery, canned foodstuffs, and raw materials between factories at Alphington, Dalmore, Epsom, Drysdale, and surrounding districts.
- McGEE, K. W.; 1 commercial goods vehicle for the carriage of general goods between Melbourne and Echuca.
- STOREY, A.; 1 commercial goods vehicle for the carriage of—(a) general goods 20 miles Caramut, (b) general goods between Caramut and Warrnambool, via Koroit.
- JOHNS, C. H., & SON; 1 commercial goods vehicle for the carriage of—(a) general goods 20 miles Sandringham, (b) furniture throughout Victoria.
- HARBOUR, L. R.; 1 commercial goods vehicle for the carriage of—(a) general goods 20 miles Scotsburn, (b) stud cattle to and from sales at Terang, Colac, Geelong, and Melbourne from and to Scotsburn, (c) Army disposal materials throughout the Western district of Victoria.
- GREEN, W. W.; 1 commercial goods vehicle for the carriage of—(a) general goods 20 miles Numurkah, (b) second-hand household furniture, live stock, and perishable goods throughout Victoria.
- ADAMS, S. W.; 1 commercial goods vehicle for the carriage of general goods between Cobden and Melbourne via Camperdown and Colac and Geelong.
- MILLER, C. S.; 1 commercial goods vehicle for the carriage of merry-go-round material to agricultural shows throughout Victoria.
- JARVIS, H. T.; 1 commercial goods vehicle for the carriage of—(a) in the State of Victoria within a radius of 20 miles from Walwa—general goods, (b) between Walwa and Wodonga—general goods.
- MILLER, E. H.; 1 commercial goods vehicle for the carriage of general goods between Hopetoun and Melbourne.
- BARRI, A.; 1 commercial goods vehicle to operate as follows:—(a) firewood from Heathcote to Melbourne, (b) petroleum products from Melbourne to Heathcote.
- ROBERTSON, R. S.; application for renewal of licence D.3192 allowing operations as follows:—(a) general goods 20 miles Trafalgar, (b) household furniture 50 miles Trafalgar, (c) petroleum products within the Shire of Narracan.

Notice of any objection should be forwarded to reach the Acting Secretary to the Board not later than Wednesday, the 22nd May, 1946.

E. V. FIELD,
Acting Secretary.

Exhibition Buildings, Rathdown-street, Carlton, 14th May, 1946.

DEPARTMENT OF PUBLIC INSTRUCTION.

HIS Excellency the Governor of the State of Victoria, by and with the advice of the Executive Council thereof, has, by Order made on the 7th May, 1946, under the provisions of Regulation XLI.—Technical Schools, approved of the maintenance grants to the under-mentioned schools for the financial year 1945-46 as shown below, in lieu of those approved on the 15th January, 1946, and published in the *Gazette* of 23rd January, 1946:—

	£
Bairnsdale	1,248
Ballarat	15,972
Bendigo	11,556
Brighton	4,856
Castlemaine	5,976
Caulfield	3,936
Collingwood	10,092
Daylesford	1,560
Echuca	5,964
Essendon	3,072
Footscray	12,924
Geelong	16,080
Maryborough	1,728
Melbourne	62,320
Richmond	2,952
Sale	1,116
South Melbourne	3,468
Stawell	1,272
Sunshine	3,048
Swinburne	26,588
Wangaratta	1,524
Warrnambool	1,140
Wonthaggi	1,404
Yallourn	2,676

C. W. KINSMAN,

Clerk of the Executive Council.

At the Executive Council Chamber,
Melbourne, the 7th May, 1946.

Water Acts.

STATE RIVERS AND WATER SUPPLY COMMISSION.

COBDEN URBAN DISTRICT.

NOTICE to owners of tenements in the under-mentioned streets in the Cobden Urban District and the private streets, lanes, courts, and alleys opening thereto:—

Neylon-street, from end of existing main about 8 chains north-easterly from Stirling-street to the northern boundary of the Town of Cobden.

Camperdown-Cobden road, from the northern boundary of the Town of Cobden to a point opposite lot 20 on lodged plan of subdivision No. 4981 about 32 chains north-easterly.

Cemetery-lane, from Camperdown-Cobden road to a point about 21 chains northerly.

The main pipe in the said streets being laid down, the owners of all tenements situated as above are hereby required, on or before the 15th day of June next, to cause proper pipes and stop cocks to be laid, so as to supply water within such tenements from the main pipe.

L. DUGGAN, Secretary,

State Rivers and Water Supply Commission.

Melbourne, 6th May, 1946.

State Rivers and Water Supply Commission.

MACEDON WATERWORKS TRUST.

FIXING LIMIT OF BANK OVERDRAFT.

HIS Excellency the Governor of the State of Victoria, by and with the advice of the Executive Council thereof, has, by Order made on the 7th day of May, 1946, in pursuance of the provisions of section 273 of the *Water Act 1928*, fixed the limit of the overdraft to be obtained by the Macedon Waterworks Trust from the Commercial Bank of Australia Ltd., Macedon, at an amount not to exceed at any one time the sum of One thousand five hundred pounds (£1,500).

C. W. KINSMAN,
Clerk of the Executive Council.

At the Executive Council Chamber,
Melbourne, the 7th May, 1946.

Local Government Act 1928, Part 42, Section 858.

LICENCES TO OCCUPY UNUSED ROADS.

NOTICE is hereby given that Licences to occupy Unused Roads have been issued to the following approved applicants, and that the Licence Fee specified in each case has been received by the Accountant, Lands Department, Melbourne, C.2.

Number of Licence.	Name and Address of Licensee.	Municipality.	Parish.	Abutting— Allotments and Sections.	Area.			Fee for Licence.	Date of Issue of Licence.	Date of Expiry of Licence.
					A.	R.	P.			
34041	Simpson, Mrs. J., Campbell's Creek	Newstead and Mt. Alexandra	Castlemaine	West of 60, 61, south of 81, 80, 79, 78, section 4A	1	1	0	0 5 0	1.1.44	31.12.46
34042	Comini, J. W., Harcourt ..	Maldon ..	Harcourt ..	Between 3740, section 2, parish of Ravenswood and 10, 12, 27, section 5B, parish of Harcourt; west portion north of 27; section 5B, parish of Harcourt	5	2	0	0 16 6	1.1.44	31.12.46
34043	Monti, S. E., White Hills ..	Huntly ..	Huntly ..	North of 21, 22, 23, 3, 4, 1, 7A, and 7, section 20	3	2	0	1 8 0	1.1.45	31.12.47
34044	Sandhurst and Northern District Trustees, Bendigo	Waranga ..	Toolleen ..	North of 1, 3, 4, 5, 6, 7, 8, section 21 (Township of Toolleen)	1	0	0	0 3 0	1.1.40	31.12.42
34045	Desmond, G., Castlemaine ..	Castlemaine	Castlemaine	Between 18, 24, and 28, 27, 28A, section G5	0	2	0	0 2 6	1.1.45	31.12.47
34046	Hamley, H. J., Dingle ..	East Loddon	Talambe ..	Northern portion west of 116	8	2	0	0 17 0	1.1.44	31.12.46
34047	Jackson, Leslie, St. Arnaud	St. Arnaud	St. Arnaud	North-east of part 10 and part of 9, section M2 (Town of St. Arnaud)	0	0	6	0 2 6	1.1.45	31.12.47
34048	Stevenson, Mrs. A. L., Lake Chara	Kerang	Dartagook	27, section A ..	4	3	0	0 4 0	1.1.45	31.12.47
34049	Leonard, Allen, St. Arnaud	Borough of St. Arnaud	Town of St. Arnaud	North-east of part 10, section M2	0	1	18	0 2 6	1.1.45	31.12.47
34050	Smith, Agnes, Benlock ..	Romsey ..	Cobaw ..	44, 45, and 46, section B	4	0	0	0 10 0	1.1.45	31.12.47
34341	Gordon, J. C., Dunluce ..	Bet Bet ..	Archdale ..	84 and 85 ..	4	1	25	0 6 0	1.1.45	31.12.47
34342	Gibbon, J., Gunbower ..	Rochester ..	Patho ..	Between 44 and 46, section E	1	1	10	0 2 6	1.1.44	31.12.46
34343	Fleischer, Allan H., c/o Shire Office, Woodend	Newham and Woodend	Woodend ..	B4, 8, 9A, section C ..	5	2	16	0 6 6	1.1.45	31.12.47
34344	Collins, J. S., Glenlyon ..	Glenlyon ..	Township of Glenlyon	1, section 37 ..	0	1	8	0 2 6	1.1.45	31.12.47
34345	Tainsh, W. E., Clydesdale ..	Glenlyon ..	Yandoit ..	17, 18, section 2 ..	4	0	0	1 0 0	1.1.45	31.12.47
34346	Hooper, F. M., and Rich, S. G., Majorca and Maryborough	Talbot ..	Craigie ..	12B, 13, 20A, 20B, 21A, 21B, section C	4	2	0	0 6 9	1.1.45	31.12.47
34347	Abbott, Mary P., Bung Bong	Avoca ..	Glenmona	E3 ..	5	3	0	0 5 9	1.1.45	31.12.47
34348	Lee, Allan, Yandoit ..	Glenlyon ..	Yandoit ..	1A, 11B, section 1 ..	1	1	0	0 2 9	1.1.45	31.12.47
34349	Hayes, John, Wedderburn ..	Korong ..	Township of Wedderburn	16, section R ..	1	3	16	0 2 6	1.1.45	31.12.47
34350	Adams, John Z., St. Arnaud	Kara Kara	Gowar ..	33M, 33N, section C ..	3	2	0	0 3 6	1.1.45	31.12.47
34351	Hamilton, Catherine, 15 York-avenue, East Ivanhoe	Metcalfe ..	Redesdale	38B, 38C ..	3	2	0	0 10 6	1.1.45	31.12.47
34352	Storti, P., Korong Vale ..	Korong ..	Borong 11F,	section V ..	3	2	0	0 13 0	1.1.45	31.12.47
34353	Fraser, H. J., 159 Queen-street, Bendigo	Huntly ..	Sandhurst..	1, section 1 ..	0	3	0	0 18 9	1.1.45	31.12.47
34354	Saunders, W., Wilson-street, Wedderburn	Korong ..	Borong ..	82, 83, 84, 85, 86, 12C, 86E, 83D, section V.	15	0	0	1 10 0	1.1.45	31.12.47
34355	Hogan, M. W. and P. J., Box 97, Birchip	Wycheproof	Karyrie ..	8, 8B, 9, no section ..	12	2	0	0 12 0	1.1.45	31.12.47
34356	Pilcher, A., McIvor-road, Bendigo	Strathfield-saye	Sandhurst..	352, 353, section O ..	0	3	8	0 6 6	1.1.45	31.12.47
34357	Rice, Charles F., Harcourt..	Metcalfe ..	Harcourt ..	18, 21, 21A, sections 10A, 12	3	0	0	0 9 0	1.1.46	31.12.48
34358	Wilson, H., Metcalfe ..	Metcalfe ..	Metcalfe ..	1, 2, 4, section C ..	2	1	30	0 9 9	1.1.46	31.12.48
34359	Pilcher, A., McIvor-road, Bendigo	Strathfield-saye	Sandhurst	41, 42, 43, 352, 352A, section O	2	1	0	2 3 6	1.1.46	31.12.48
34360	Williamson, E. E., 30 Gold-street, Brunswick	Borough of Castle-maine	Castlemaine	12, 23, section DIV ..	0	2	36	0 2 9	1.1.46	31.12.48
34361	Nielson, Rubina B., Castle-maine	Borough of Castle-maine	Castlemaine	East of part 12, section DIV	0	0	36	0 2 6	1.1.46	31.12.48
34362	Sloan, J. A., T., and J., Bridgewater	Marong ..	Bridgewater	18, 26, part 27D ..	1	2	0	0 4 6	1.1.46	31.12.48
34363	Devanny, E. A., Mt. Franklin	Glenlyon ..	Holecombe	8, 8A, section 10 ..	1	3	15	0 2 6	1.1.46	31.12.48
34364	Pleasance, A. W., White Hills	Strathfield-saye	Sandhurst	45, 649, section O ..	1	2	0	0 18 0	1.1.46	31.12.48
34365	Holland, E. M., Avoca P.O.	Avoca ..	Glenmona	25, section 1A ..	2	2	0	0 2 6	1.1.46	31.12.48
34366	Winzar, W. D., Marong ..	Marong ..	Marong ..	103A, section VIII. ..	4	0	0	0 8 0	1.1.46	31.12.48
34367	Robson, W. E., Newbury ..	Kyneton ..	Trentham	14, section F ..	0	3	30	0 2 6	1.1.46	31.12.48
34368	Knott, R., Majorca ..	Tullaroop ..	Township of Majorca	West of 5, section 29A..	1	1	22	0 7 0	1.1.46	31.12.48
34369	Coghill, D. L. P., Mandurang South	Strathfield-saye	Mandurang	98A ..	5	1	0	0 5 3	1.1.46	31.12.48
34370	Girvan, J. H., Taradale ..	Metcalfe ..	Metcalfe ..	North and west of 22A, 22B, section 5	5	1	25	0 13 6	1.1.46	31.12.48
34871	Cameron, M. J., Melton ..	Melton ..	Djerri-warrh	Southern portion of D of 9	2	0	0	0 18 0	1.1.46	31.12.48

LICENCES TO OCCUPY UNUSED ROADS—continued.

Number of Licence.	Name and Address of Licensee.	Municipality.	Parish.	Abutting— Allotments and Sections.	Area.	Fee for Licence.			Date of Issue of Licence.	Date of Expiry of Licence.
						A.	R.	P.		
34872	Haw, Andrew, Leongatha ..	Woorayl ..	Koorooman	North-east of 80A ..	3 0 0	0	3	6	1.1.46	31.12.48
34873	Handbury, J. E. and Son, Melbourne	South Gippsland	Toora	Western end north 4A of B	3 1 0	0	11	6	1.1.46	31.12.48
34874	Norton, Reginald G., Clover- lea	Warragul ..	Warragul ..	Between 86 and part 94, also 86 and 87B	7 2 0	0	11	3	1.1.46	31.12.48
34875	Williams, Thomas, Riddell	Gisborne ..	Gisborne ..	B of 20 ..	0 2 10	0	6	0	1.1.46	31.12.48
34876	Jongebloed, E. R., Melton..	Melton ..	Djerri- warrah	East of 2 of 15 ..	3 0 0	0	3	0	1.1.46	31.12.48
34877	Varcoe, Ronald H., Limonite	Morwell ..	Mirboo ..	North of 54A ..	2 2 0	0	10	0	1.1.46	31.12.48
34878	Hannah, Mrs. E. S., Corinella	Bass ..	Corinella ..	Between 3 and 4 ..	6 2 0	0	10	6	1.1.46	31.12.48
34879	Lyons, Leonard R., Woodside	Alberton ..	Woodside ..	South and west of 4 of 5	10 0 0	0	2	6	1.1.46	31.12.48
34880	Herbert, E. C., Diamond Creek	Heidelberg	Nilumbik	Eastern portion north of 7	0 2 0	0	2	6	1.1.46	31.12.48
34881	Hadfield, Rupert H., Wallan	Broad- meadows	Wallan Wallan	Between sections 20 and 21	1 2 0	0	7	6	1.1.46	31.12.48
34882	Leggett, N. A., Alberton ..	Alberton ..	Alberton West	South and east of 9 of 1	3 0 0	0	9	0	1.1.46	31.12.48
34883	Smith, R. W. and W. T., Koo-wee-rup	Cranbourne	Yallock ..	Eastern portion north of 10c	1 2 0	0	15	6	1.1.46	31.12.48
34884	Adams, J. H., Gilderoy ..	Upper Yarra	Beenak ..	Between 62A and 63 ..	4 2 0	0	9	0	1.1.46	31.12.48
34885	Mellor, G. W., Boolarra ..	Morwell ..	Mirboo ..	South of 17 ..	5 2 0	0	13	9	1.1.46	31.12.48
34886	Powell, Reginald H., Mt. William	Romsey ..	Goldie ..	East of 39 ..	2 2 0	0	9	0	1.1.46	31.12.48
34887	Barker, James, Leongatha..	Woorayl ..	Leongatha	North of 20-21 of 18..	1 0 32	0	5	0	1.1.46	31.12.48
34888	Carter, Jack P., Mirboo North	Mirboo ..	Mirboo ..	West of 23A of 1 ..	1 0 0	0	2	6	1.1.46	31.12.48
34889	Carter, Mrs. B. S., Bacchus Marsh	Bacchus Marsh	Korkuperrim- al	East of 1-2 of 6 ..	0 3 0	0	15	0	1.1.46	31.12.48
34890	Laybourne, G. K. W., Allam- bee	Woorayl ..	Allambee East	Between 12A and 12B..	4 0 0	0	10	0	1.1.46	31.12.48
34891	Hine, T. G. and Sons, Laber- touche	Buln Buln	Jindivick ..	(1) South of 109B; (2) between 61 and 110c and 110d	13 0 0	0	19	0	1.1.46	31.12.48
34892	Gannon, Mrs. E. V., Iona..	Berwick ..	Koo-wee-rup East	West of 46 of O ..	2 1 0	0	16	9	1.1.45	31.12.47
34893	Rodwell, G. E., Elwood ..	Bulla ..	Bulla	Between C and sections 7 and 8	1 2 32	0	8	6	1.1.46	31.12.48
34894	McKinnon, "Wahroonga," Kongwak	Korumburra	Jumbunna East	East of 43B ..	6 0 0	0	15	0	1.1.46	31.12.48
34895	Scandolera, Mrs. E. M., Fern- dale	Warragul ..	Allambee ..	Between part 67 and 68B-71A	4 0 0	0	5	0	1.1.46	31.12.48
34896	Day J. G., "Hazeldeen," Cloverlea	Warragul ..	Warragul ..	Between parts 85 and 86 and part 94	1 3 0	0	3	6	1.1.46	31.12.48
34897	Murray, Mrs. F. G., Minyip	Woorayl ..	Drumdle- mara	North of 54A..	5 0 0	0	3	9	1.1.46	31.12.48
34898	Watt, Albert E., Leongatha	Woorayl ..	Koorooman	Northern portion west of 23	2 2 0	0	3	9	1.1.46	31.12.48
34899	Allan, M. V., Korumburra South	Woorayl ..	Korumburra	South and west of 72D..	5 0 0	0	2	6	1.1.46	31.12.48
34900	Callister, W. C., Nerrena East, via Meeaiyan	Woorayl ..	Mardan ..	North-west of 77A and 78	2 0 0	0	2	6	1.1.46	31.12.48

Licence No. 34042.—Suitable unlocked swing gates to be erected and maintained; rental charged from 1st October, 1944.
 Licence No. 34044.—Renewed 1st January, 1943.—Licence No. 34370.—Suitable unlocked swing gates to be erected and maintained in any fences constructed across the roads.—Licence No. 34875.—Unlocked swing gates to be erected; permission to cultivate given.

L. W. GALVIN,
 Commissioner of Crown Lands and Survey.

Department of Lands and Survey (Unused Roads and Water Frontages Branch),
 Melbourne, 9th May, 1946.

Farmers Debts Adjustment Act 1935.
 CANCELLATION OF STAY ORDERS.

NOTIFICATION is hereby given that the Stay Orders issued to the under-mentioned farmers have been cancelled by the Farmers' Debts Adjustment Board, such cancellation to take effect on Wednesday, 15th May, 1946.

No. of Stay Order; Name; Address.

4309; Creasey, Joseph William Charles; Polkemmet.
 4258; Hallam, Vera Gwendoline; Haven.
 2294; Nelson, Gustav Frederick; Miga Lake.

W. J. EVANS, Deputy Secretary,
 Farmers' Debts Adjustment Board.

14th May, 1946.

FARMERS' PROTECTION ACT 1941.

NOTIFICATION is hereby given that the Farmers' Debts Adjustment Board, pursuant to the powers conferred by the Farmers' Protection Act 1941, cancelled the following Limited Stay Orders:—

Stay Order No.; Farmer; Address; Debt; Creditor; Address;
 Date of Cancellation.

327; Potter, Leslie Gordon; Minyip; £19 10s.; William Leslie;
 Minyip; 9th May, 1946.

328; Potter, Leslie Gordon; Minyip; £18 0s. 3d.; Phillips Co-
 operative Society Limited (in liquidation); c/o
 M. R. M. Smith, Peacock, and Company, 485 Bourke-
 street, Melbourne; 9th May, 1946.

329; Potter, Leslie Gordon; Minyip; £4 10s.; Shell Company
 of Australia Limited; 163 William-street, Melbourne;
 9th May, 1946.

W. J. EVANS, Deputy Secretary,
 Farmers' Debts Adjustment Board.

14th May, 1946.

SUMMONING OFFICER.

I HEREBY appoint the under-mentioned person, under
 section 31 of the Education Act 1928, to summon parents
 within the State of Victoria:—

First Constable GEORGE ALFRED SLADE KNOWLES, No.
 7442.

FRANCIS FIELD,
 Minister of Public Instruction.

Education Department,
 Melbourne, 1st May, 1946.

Local Government Act 1928, Part 42, Section 85B.
LICENCES TO OCCUPY WATER FRONTAGES.

NOTICE is hereby given that Licences to occupy Water Frontages have been issued to the following approved applicants, and that the Licence Fee specified in each case has been received by the Accountant, Lands Department, Melbourne, C.2

Number of Licence.	Name and Address of Licensee.	Municipality.	Parish.	Abutting— Allotments and Sections.	Fee for Licence.	Date of Issue of Licence.	Date of Expiry of Licence.
21571	Oates, George, Barnawartha, Victoria	Chiltern ..	Wooragee North	Frontage to Indigo Creek, 12, section C	£ s. d. 0 6 0	1.1.46	31.12.48
21572	Bourke, Edward Patrick, Nathalia	Numurkah ..	Barwo ..	Frontage to Broken Creek, 3A, section E	0 12 0	1.1.46	31.12.48
21573	Berry, S., South Wangaratta ..	Oxley ..	{ Lacey .. Glenrowen ..	{ Northern portion of 39A, section 29 1 and part 2, section 2	0 6 0	1.1.46	31.12.48
21574	Nugent, T. H. and N. T., Byawatha Roadside, via Wangaratta	Wangaratta ..	Carraramungee	4A, section 8A ..	0 9 0	1.1.46	31.12.48
21575	Nugent, T. H. and N. T., Byawatha Roadside, via Wangaratta	Wangaratta ..	Carraramungee	9, section 9A ..	0 6 3	1.1.46	31.12.48
21576	Cole, W. J. E., Genoa ..	Orbost ..	Maramingo ..	4B and 4D, section B ..	0 18 0	1.1.46	31.12.48
21577	Slevin, F. V., Yea ..	Yea ..	Yea ..	Frontage to Yea River and Boundary Creek, 5 of 47	0 7 6	1.1.44	31.12.46
21578	Gilder, Robert A., "Newburn Park," Maffra	Maffra ..	Worrowing ..	Macalister River Frontage, 3, section 1	2 0 0	1.1.46	31.12.48
21579	McDonald, Leo A. A., "Los Angeles," 64 Third-street, Ashbury, Sydney, N.S.W.	Orbost ..	Cabanandra ..	Frontage to Delegate River, 10A	0 7 6	1.1.46	31.12.48
21580	Piazza, Dino, Myrtleford ..	Bright ..	Myrtleford ..	30 of Q1 and east portion of A1 of P	0 5 0	1.1.46	31.12.48
21621	Hinksman, John C., Thorpdale	Narracan ..	Moe ..	Frontage to Narracan Creek, 87	1 0 0	1.1.46	31.12.48
21622	Casey, V. and I. M., The Gurdies	Bass ..	Corinella ..	Frontage to Gurdies Creek, 108	0 8 0	1.1.46	31.12.48
21623	Williams, Vincent P., Hawthorn	Lillydale ..	Yering ..	Frontage to River Yarra, 5A	0 10 0	1.1.46	31.12.48
21624	Freckleton, J. H., Shady Creek	Narracan ..	Yarragon ..	Frontage to Shady Creek, 50, 53B, 50A	0 13 0	1.1.46	31.12.48
21625	Weston, Leonard, Powelltown ..	Upper Yarra	Beenak ..	Frontage to Little Yarra River, part 40	0 4 6	1.1.46	31.12.48
21626	Le Maitre, L., Kardella South ..	Woorayl ..	Korumburra..	Frontage to Coal Creek, 20, 21, 22 of 3	0 6 0	1.1.46	31.12.48
21627	Burns, Olive M., Gainsborough	Warragul ..	Warragul ..	Frontage to Bear Creek, part 106	0 2 6	1.1.46	31.12.48
21628	Love, George, Ivanhoe ..	Lillydale ..	Yering ..	Frontage to River Yarra, 5A1	0 10 0	1.1.46	31.12.48
21629	Kays, M. A., New Gisborne ..	Bacchus Marsh	Bullengarook	Frontage to Gisborne Creek, 64	0 2 6	1.1.46	31.12.48
21630	Wynne, E. A., Kardella South..	Korumburra..	Korumburra..	Frontage to Coal Creek, 32A and Gravel Reserve	0 7 6	1.1.46	31.12.48
21631	Steinmann, C. H., and E. C. Hilderbrand, St. Andrews	Eltham ..	Queenstown ..	Frontage to Diamond Creek, 25	0 10 0	1.1.46	31.12.48
21632	Richardson, G. B., Main Road, Cockatoo	Berwick ..	Gembrook ..	Frontage to Cockatoo Creek, 28 of B	0 15 0	1.1.46	31.12.48
21633	Burns, L. S., Bona Vista, via Warragul	Warragul ..	Warragul ..	Frontage to Bear Creek, 107 and part 106	0 14 0	1.1.46	31.12.48
21634	Proctor, C. G., Milford Grange, South Gippsland	Woorayl ..	Mirboo South	Frontage to Tarwin River, 55A	0 2 6	1.1.46	31.12.48
21635	Poulton, John, Riddell ..	Romsey ..	Kerrie ..	Frontage to Charlie's Creek, 144	0 5 0	1.1.46	31.12.48
21636	Perkins, John S., Fidge P.O. ..	Woorayl ..	Mirboo South	Frontage to Tarwin River, 54c	0 2 6	1.1.46	31.12.48
21637	O'Brien, J. P., Leongatha ..	Buln Buln ..	Koorooman ..	Frontage to Tarwin River, part 58B	0 16 0	1.1.46	31.12.48
21638	Stevens, Mrs. R., Dandenong ..	Warragul ..	Darnum ..	Frontage to Moe River, 11A, 11B of 15	0 4 6	1.1.46	31.12.48
21639	Hine, T. G., and Sons, Labertouche	Buln Buln ..	Jindivick ..	Frontage to Bunyip River, 109c	0 10 0	1.1.46	31.12.48
21640	Terry, S. E. A., Evelina-road, Toorak	Berwick ..	Nangana ..	Frontage to Cockatoo Creek, 48F	0 8 0	1.1.46	31.12.48
21641	O'Neill, J., Warburton East ..	Upper Yarra	Warburton ..	Frontage to River Yarra, 1, 2, 3, 4, of 25	0 2 6	1.1.46	31.12.48
21642	Dongelo, Gollons, Gembrook ..	Berwick ..	Gembrook ..	Frontage to Cockatoo Creek, A13	0 18 9	1.1.46	31.12.48
21643	Tonkins, G., Gembrook ..	Berwick ..	Gembrook ..	Frontage to Cockatoo Creek, 13, section B	0 10 0	1.1.46	31.12.47
21644	Maple, C. G., Longwarry North	Buln Buln ..	Drouin West	Frontage to Tarrago River, centre allotment 157	0 2 6	1.1.46	31.12.48
21645	Young, G. L., Kew ..	Lillydale ..	Wandin Yallock	Frontage to Stringy Bark Creek, 14 of 88B	1 1 0	1.1.46	31.12.48
21646	Rhys-Jones, W. D., Ascot Vale	Lillydale ..	Wandin Yallock	Frontage to Stringy Bark Creek, 18, 19, 29 of 88B	1 19 0	1.1.46	31.12.48
21647	Christian, D. J., Arthur's Creek	Eltham ..	Queenstown ..	Frontage to Diamond Creek, 26	0 8 0	1.1.46	31.12.48
21648	Bramich, C. G., The Landing, Foster	South Gippsland	Wonga Wonga South	Frontage to Stockyard Creek, 6, 6A, 7, section B	0 5 6	1.1.46	31.12.48
21649	Steedman, F. K., Ellis-road, Bunyip	Berwick ..	Bunyip ..	Frontage to Bunyip River, 90F, section 29	0 9 0	1.1.46	31.12.48
21650	Lawton, H., Balmoral-street, Braybrook	Bacchus Marsh	Merrimu ..	Frontage to Coimadai Creek, 9A, section 8	0 3 0	1.1.46	31.12.48

L. W. GALVIN,
Commissioner of Crown Lands and Survey.

Marriage Act 1928.

MINISTERS OF RELIGION REGISTERED TO CELEBRATE MARRIAGES IN VICTORIA.

It is hereby notified that, in pursuance of the provisions of the *Marriage Act 1928*, 19 Geo. V. No. 3726, Sec. 11, the under-mentioned Officiating Ministers of Religion have been registered at this Office for the celebration of marriages in Victoria:—

Number in Register.	Name.	Designation.	Denomination.	Residence.	Date of Registration.
9559	Girke, Francis	Priest	Catholic	St. Joseph's, Elsternwick	2.4.46
9560	Batchelor, Vincent Alexander	Priest	Catholic	Dryburgh-street, North Melbourne	31.3.46
9561	Mills, James Villiers	Minister	Presbyterian	The Manse, Dartmoor	30.3.46
9562	Rye, Leslie Howard	Minister	Presbyterian	The Manse, Tongala	1.4.46
9563	Bock, Henry Herman	Minister	Methodist	The Parsonage, Camperdown	29.3.46
9564	Hales, William Alfred	Minister	Methodist	Brown-street, Heidelberg	29.3.46
9565	Lade, Norman	Minister	Methodist	Lydiard-street, Ballarat	25.3.46
9566	MacKay, Harry George	Minister	Methodist	Mathoura-road, Toorak	25.3.46
9567	Moore, Gilbert Llewellyn	Minister	Methodist	The Parsonage, Goroke	28.3.46
9568	Peters, Donald Edgar	Minister	Methodist	Manangatang	20.3.46
9569	Quick, Aubrey Alfred	Minister	Methodist	Nyah West	25.3.46
9570	Secomb, Howard Warren	Minister	Methodist	Canterbury-road, Canterbury	20.3.46
9571	Smith, Leslie David	Minister	Methodist	Shepparton	31.3.46
9572	Orton, Joseph Russell	Minister	Methodist	Mill-street, Traralgon	6.4.46
9573	Hardingham, James	Priest	Church of England	11th-street, Mildura	10.4.46
9574	O'Connor, Thomas Maxwell	Minister	Methodist	Brunswick-road, West Brunswick	30.3.46
9575	Russell, Raymond Charles	Minister	Presbyterian	R.A.A.F., Laverton	11.4.46
9576	Austin, James Jeffrey	Priest	Catholic	Dorcas-street, South Melbourne	5.4.46
9577	Whitfeld, Lloyd Francis	Priest	Church of England	St. Kilda-road, Melbourne	3.4.46
9578	George, James	Minister	Presbyterian	Streatham	17.4.46
9579	Pratt, Herbert Lionel	Priest	Church of England	The Rectory, Birchip	14.4.46
9580	Leigh, Keith Beckett	Probationer	Methodist	Wentworth, New South Wales	15.4.46
9581	Brady, Henry	Priest	Catholic	Mornington	18.4.46
9582	Brooks, Alfred Hiron	Minister	Baptist	Newell-street, Footscray	24.4.46
9583	O'Reilly, Donal Christopher	Priest	Catholic	Gower-street, Kensington	26.4.46
9584	Flanagan, Michael John	Priest	Catholic	Wellington-street, Flemington	28.4.46
9585	Shorten, James Joseph	Priest	Catholic	Mansfield	26.4.46

H. R. GROVE,
Assistant Government Statist.

Office of the Government Statist,
Melbourne, 7th May, 1946.

Victoria.

STATE ELECTRICITY COMMISSION OF VICTORIA.

BEECHWORTH ELECTRIC LIGHTING ORDER No. 190-1926 REVOKED.

WHEREAS by an Order in Council, made under the *Electric Light and Power Act 1915*, and cited as Beechworth Electric Lighting Order No. 190-1926, it was provided, *inter alia*, that the undertakers for the purpose of the said Order should be The Council of the municipality of the President, Councillors and Ratepayers of the Shire of Beechworth, and that the Order was issued on condition that the Governor in Council may at any time, in writing (on giving notice to the undertakers of his intentions so to do and of the date on which such revocation shall take effect), revoke the said Order, and that the said Order shall, on and from the date so specified, be and be deemed to be revoked:

And whereas the State Electricity Commission of Victoria desires to undertake the supply of electricity, on or before the 2nd day of September, 1946, in the township of Beechworth, including the whole of the area in which the undertakers for the purposes of the said Order are authorized to supply electricity:

And whereas the said Commission desires to buy and the said Council to sell the assets comprising the undertaking established by the Council pursuant to the said Order:

It is recommended that the said Order should be revoked as on the 2nd day of September, 1946, and should nominate the Commission as the statutory corporation to purchase the assets aforesaid, as referred to in clause 3 of the said Order: And further that the said Commission should, on behalf of the Governor in Council, notify the Council in writing pursuant to the said Order that the Governor in Council intends to revoke the said Order as on the 2nd day of September, 1946.

As witness the common seal of the State Electricity Commission of Victoria hereto affixed this 10th day of May, 1946.

The common seal of the State Electricity Commission of Victoria was hereto affixed in the presence of—

G. G. JOBBINS, Commissioner.
(SEAL) ANDREW W. FAIRLEY, Commissioner.
A. W. HENDERSON, Commissioner.

Approved by the Governor in Council,
13th May, 1946.

C. W. KINSMAN,
Clerk of the Executive Council.

AUCTION SALES ACT 1928.

NOTICE is hereby given that a Special Meeting of Justices for the granting of auctioneers' licences will be held at the Court House, Wangaratta, on Monday, the 3rd day of June, 1946, at Ten o'clock in the forenoon, to consider an application by James Alfred Tiernan, of Wangaratta, for an auctioneers' licence. Dated at Wangaratta this 8th day of May, 1946.—C. E. ELVISH, Clerk of Petty Sessions.

YARRAWONGA.—Notice is hereby given that a Special Meeting of Justices for the licensing of auctioneers will be held at the Court House, Yarrowonga, on Tuesday, the 28th day of May, 1946, at Ten o'clock in the forenoon, to consider an application by Vernon Alfred Henry Benjamin, of Yarrowonga, in Victoria, for an auctioneers' licence. Dated this 7th day of May, 1946.—A. F. WOOLLARD, Clerk of Petty Sessions.

CLUNES UNITED BOROUGH AND GOLDFIELD COMMON.
AMENDED REGULATION.

IN pursuance of the regulations relating to commons, made by the Governor in Council on the 5th day of August, 1930, the managers of the Clunes United Borough and Goldfield Common, having drafted the following amended regulation for the management thereof, submit the same for the approval of the Board of Land and Works, in lieu of clause 7 of the regulations heretofore in force in respect of such common.

7. The fees for depasturing stock on the common shall be as follows, and shall be payable annually in advance of the first day of June in every year:—

For every head of small cattle, Four shillings (4s.) per annum; for every horse, mare, gelding, colt, filly, ass, or mule, Twenty-five shillings (25s.) per annum; for every head of other large cattle, Seven shillings and sixpence (7s. 6d.) per annum; provided that in respect of all stock not registered on the dates advertised for such registration by the managers there shall be payable an additional fee of 1s. per head.

The amended regulation as set out above is hereby approved by the Board of Land and Works.

The common seal of the Board of Land and Works is hereunto affixed, this 12th day of April, 1946, in the presence of—

(SEAL) L. W. GALVIN, President.
W. McILROY, Member.

REAL ESTATE AGENTS ACTS.

IN accordance with the provisions of the above-mentioned Acts, the following is published for general information:—

(a) List of Persons to whom Real Estate Agents' Licences have been issued for the year 1946 during the month of February:—

Name.	Principal Place of Business (Registered Office).	Name of Firm or Partnership.	Date from which Licence is Effective.
Allan, K. E.	21 Carmichael-street, Hamilton		20.2.46
Baillie, T. J.	Yarrawonga		12.2.46
Baker, A.	65 Greville-street, Prahran	Ross Baker	12.2.46
Bartlett, I. P.	67 Pickett-street, Footscray		18.2.46
Bryant, H. T.	280-284 Collins-street, Melbourne	Harry T. Bryant and Co.	13.2.46
Donaldson, S. A.	Bromfield-street, Colac	S. A. Donaldson	20.2.46
Douglas, A. J.	100 Auburn-road, Hawthorn	O. M. McCallum	13.2.46
Duncan, B. M.	25 George-street, East Melbourne		22.2.46
Elvery, G. K.	Belgrave Heights	Nan Elvery	22.2.46
Forbutt, B.	54 Prentice-street, Elsternwick		28.2.46
Hastings, J. E.	Temple Court, Collins-street, Melbourne		18.2.46
Jarman, J. J.	71 Barkly-street, St. Kilda		22.2.46
Kinder, M.	280-284 Collins-street, Melbourne	Harry T. Bryant and Co.	13.2.46
Lee, T. F.	Gembrook	Gembrook Estate Agency	14.2.46
McCleery, J.	300 Little Collins-street, Melbourne		6.2.46
Marchant, R. L.	Scott-street, Warracknabeal	Marchant Bros.	14.2.46
Meagher, A. G.	243 Collins-street, Melbourne	A. G. Meagher and Co.	13.2.46
Meagher, B. G.	243 Collins-street, Melbourne	A. G. Meagher and Co.	13.2.46
Mott, C. E.	422 Collins-street, Melbourne	Clement E. Mott	26.2.46
Murray, J.	Mortlake		4.2.46
O'Connor, W.	Raymond-street, Sale		26.2.46
Ratchliffe, P. H.	Clyde House, Collins-street, Melbourne		11.2.46
Reidy, C.	146 Peel-street, Windsor		1.2.46
Roberts, J. R.	11 Sutherland-street, East Malvern	Ron Roberts	20.2.46
Saltau and Son Pty. Ltd. (E. E. Ladner, nominee)	Kepler-street, Warrnambool		26.2.46
Shaw, J. E.	High-street, Rushworth		26.2.46
Shelley, C. C. G. F.	Raymond-street, Sale	C. F. Shelley	19.2.46
Strownix, J.	302 Drummond-street, Ballarat		6.2.46
Trigar, W. A.	28 Finlay-street, Albert Park		11.2.46
Vaughan, D. A.	37 Albert-road, Melbourne		13.2.46
White, R. S.	84 Gray-street, Hamilton		13.2.46

(b) List of Persons to whom Sub-Agent's Licences under the Real Estate Agents Acts have been issued for the year 1946 during the month of February:—

Name.	Registered Address.	Date from which Licence is Effective.	Name.	Registered Address.	Date from which Licence is Effective.
Anderson, C. C.	Bunyip	27.2.46	Lord, A. M.	51 Seymour-road, Elsternwick	15.2.46
Anderson, E. E.	96 Park-street, South Yarra	26.2.46	McLennan, D. K.	Leongatha	27.2.46
Bandt, E. C.	12 James-street, Geelong	15.2.46	McLeod, R. A.	2 Amiens-street, Hampton	20.2.46
Barton, W. K.	Kaniva	14.2.46	Mann, D. J.	20 Mangan-street, Balwyn	12.2.46
Beckwith, H. S.	725 Whitehorse-road, Mitcham	4.2.46	Martin, B.	407 Church-street, Richmond	25.2.46
Benjaminson, S. M.	323 Bluff-road, Sandringham	27.2.46	Martin, C.	407 Church-street, Richmond	25.2.46
Besemeris, A. J.	1103 Mair-street, Ballarat	8.2.46	Mayer, K. A.	5 Princes-terrace, Melbourne	13.2.46
Birtles, M. J.	63 Warburton-road, Canterbury	7.2.46	Moffatt, L. M.	24 Madara-street, Ascot Vale	20.2.46
Butterworth, C. A.	c/o H. F. Richardson and Co., Little Malop-street, Geelong	6.2.46	Nunan, J. B.	3 Alphington-street, Northcote	1.2.46
Carmichael, R. W. A.	"The Lodge," Boorondara Cemetery, High-street, Kew	1.2.46	O'Brien, S.	High-street, Mansfield	27.2.46
Carponter, J. P.	Hesse-street, Queenscliff	4.2.46	O'Connell, J. C.	70 Alma-road, St. Kilda	11.2.46
Cawsey, C. E.	37 Hall-street, McKinnon	12.2.46	O'Connell, L. J.	204 Mundy-street, Bendigo	21.2.46
Chambers, E. W.	38 Errol-street, East Prahran	22.2.46	Penny, F. G.	Noradjuha	26.2.46
Clarke, C. G.	7 Alexander-avenue, South Yarra	1.2.46	Permezel, L. A.	Goulburn-street, Seymour	18.2.46
Cowan, A. D.	526 Bourke-street, Melbourne	3.1.46	Phillips, J. W.	41 Regent-street, Fitzroy	4.2.46
Crawley, H. C.	23 Spencer-street, St. Kilda	18.2.46	Pullen, K. N.	27 Queens-road, Melbourne	18.2.46
Dickinson, K. C.	Nhill	14.2.46	Reid, G. L.	18 Malop-street, Geelong	26.2.46
Edgar, A. L. S.	439 Bay-street, Brighton	8.2.46	Richardson, W. E.	300 Orrong-road, North Caulfield	22.2.46
Eldridge, A. D.	Box 71, Dimboola	14.2.46	Roberts, J. A.	Box 24, Piangil	13.2.46
Fagan, G. B.	18 Ward-avenue, Caulfield	12.2.46	Rogerson, R. J.	68 Linda-street, Coburg	14.2.46
Freebody, J. A.	14 Redan-street, St. Kilda	20.2.46	Rose, L. H. W.	Seymour	13.2.46
Fulford, C. H.	Wodonga	7.2.46	Ross, P. L.	44 Charlotte-street, Collingwood	1.2.46
Fulford, J. W.	Wodonga	7.2.46	Rothwell, R. V. U.	15 Labassa-grove, Caulfield	1.2.46
Gildea, P. T.	Spring-street, Thomastown	20.2.46	Rutter, R. L.	35 Nott-street, East Malvern	6.2.46
Ginger, N. A.	64 The Grove, Coburg	28.2.46	Sargent, S. G.	Rokoby	19.2.46
Goode, E. J.	Goroke	3.1.46	Shute, W. F.	74 Alma-road, Caulfield	1.2.46
Hall, Edward	24 Oxford-street, South Yarra	26.2.46	Smith, J. H.	11 Feverill-street, Kew	20.2.46
Hankin, F. A.	58 Grey-street, St. Kilda	2.2.46	Sowersby, B. J.	163 McKinnon-road, McKinnon	13.2.46
Herring, W.	406 Collins-street, Melbourne	22.2.46	Spargo, W. P.	6 Shepperson-avenue, Carnegie	26.2.46
Hudson, A. G.	Camperdown	4.2.46	Spokes, A. J.	15 Nimmo-street, Middle Park	20.2.46
Hume, G. M.	628 St. Kilda-road, Melbourne	8.2.46	Swan, A. G.	Cromie-street, Rupanyup	26.2.46
Jenkins, H. P.	7 Victoria-street, Moonee Ponds	1.2.46	Thomson, E. J.	c/o Goldsbrough Mort Ltd., Ararat	18.2.46
Jess, J. D.	100 Domain-street, South Yarra	6.2.46	Wakefield, K. M.	24 Elizabeth-street, Moonee Ponds	18.2.46
Jolly, D. R.	28 St. Lenard's-road, South Yarra	27.2.46	Weidemann, M. E.	49 Bent-street, Moonee Ponds	22.2.46
Jose, R. J.	32 Davantry-street, Reservoir	6.2.46	White, D. J.	44 Tarwin-street, Morwell	26.2.46
King, H. J.	Euroa	14.2.46	Wright, M. T.	138 Little Malop-street, Geelong	5.2.46
Leslie, P. E.	6 Celia-street, Burwood	12.2.46	Zantuck, N. J.	Temple Court, Collins-street, Melbourne	25.2.46

BUSINESS AGENTS ACT 1930.

IN accordance with the provisions of the above-mentioned Act, the following is published for general information:—

(a) List of Persons to whom Business Agents' Licences have been issued for the year 1946 during the month of February:—

Name.	Principal Place of Business (Registered Office).	Name of Firm or Partnership.	Date from which Licence is Effective.
Allan, K. E.	Hamilton		20.2.46
Baillie, T. J.	Yarrowonga		12.2.46
Baker, A.	65 Greville-street, Prahran	Ross Baker	12.2.46
Bartlett, I. P.	67 Pickett-street, Footscray		18.2.46
Bryant, H. T.	280-4 Collins-street, Melbourne	Harry T. Bryant and Co.	13.2.46
De Vantee, G.	468 Little Collins-street, Melbourne		27.2.46
Douglas, A. J.	100 Auburn-road, Hawthorn	O. M. McCallum	13.2.46
Duncan, B. M.	25 George-street, East Melbourne		22.2.46
Greed, R. W.	Kyabram	Hinchliffe and Greed	28.2.46
Hastings, J. E.	Temple Court, Collins-street, Melbourne		18.2.46
Hedditch, N. S. H.	Portland	Norman Hedditch and Turner	13.2.46
Hinchliffe, R. A.	Kyabram	Hinchliffe and Greed	28.2.46
Jarman, J. J.	71 Barkly-street, St. Kilda		22.2.46
Kellett, G. F.	345A Lonsdale-street, Dandenong		4.2.46
Kinder, M.	280-4 Collins-street, Melbourne	Harry T. Bryant and Co.	13.2.46
McCleary, J.	300 Little Collins-street, Melbourne		6.2.46
Marchant, R. L.	Scott-street, Warracknabeal	Marchant Bros.	14.2.46
Meagher, A. G.	243 Collins-street, Melbourne	A. G. Meagher and Co.	13.2.46
Meagher, B. G.	243 Collins-street, Melbourne	A. G. Meagher and Co.	13.2.46
Mott, C. E.	422 Collins-street, Melbourne		26.2.46
Ratcliffe, P. H.	Clyde House, Collins-street, Melbourne		11.2.46
Reidy, C.	146 Peel-street, Windsor		1.2.46
Robinson, K. J.	65 Leeds-street, Footscray	Shallard Bros.	15.2.46
Saltau and Son Pty. Ltd. (E. E. Ladner, nominee)	Kepler-street, Warrnambool		26.2.46
Trigar, W. A.	28 Finlay-street, Albert Park		11.2.46
Vaughan, D. A.	37 Albert-road, South Melbourne		27.2.46
White, R. S.	84 Gray-street, Hamilton		13.2.46

(b) List of Persons to whom Sub-Agents' Licences under the Business Agents Act have been issued for the year 1946 during the month of February:—

Name.	Registered Address.	Date from which Licence is Effective.	Name.	Registered Address.	Date from which Licence is Effective.
Bryce, W.	23 Heygarth-street, Echuca	12.2.46	Mayer, K. A.	5 Princes-terrace, Melbourne	13.2.46
Conlon, J. M.	108 Queen-street, Melbourne	1.1.46	Nunan, J. B.	3 Alphington-street, Northcote	1.2.46
Freebody, J. A.	14 Redan-street, St. Kilda	20.2.46	O'Brien, S. W.	High-street, Mansfield	27.2.46
Gildea, P. T.	Spring-street, Thomastown	20.2.46	O'Connell, L. J.	204 Mundy-street, Bendigo	21.2.46
Graham, F. G.	215 Little Collins-street, Melbourne	1.1.46	Fullen, K. N.	27 Queens-road, Melbourne	18.2.46
Hall, E.	24 Oxford-street, South Yarra	26.2.46	Richardson, W. E.	300 Orrong-road, North Caulfield	22.2.46
Hankin, F. A.	58 Grey-street, St. Kilda	2.2.46	Rose, L. H. W.	Seymour	13.2.46
King, H. J.	Euroa	14.2.46	Short, J. G.	Benalla	26.2.46
Martin, B.	407 Church-street, Richmond	25.2.46	White, D. J.	44 Tarwin-street, Morwell	26.2.46
Martin, C.	407 Church-street, Richmond	25.2.46	Zantuck, N. J.	Temple Court, Collins-street, Melbourne	25.2.46

The Treasury,
Melbourne, 8th May, 1946.

F. MADDERN,
Registrar.

COUNTRY ROADS BOARD.

NOTICE is hereby given that, whereas the Board is of the opinion that, having regard to the nature of the construction of the main road described hereunder, the use on the said main road of motor cars, the weight of which and of the load (if any) carried thereon exceeds six (6) tons, should be prohibited, the Board, in exercise of the powers conferred upon it by section 11 (i) of the *Motor Car Act 1928* (No. 3741), as amended by section 24 of the *Motor Car Act 1930* (No. 3901), doth prohibit the use on main road described of motor cars the weight of which and of the load (if any) carried thereon exceeds six (6) tons.

Main Road Referred to Above.

Woori Yallock-Cockatoo road in the Shire of Upper Yarra.

By order,
R. JANSEN,
Secretary.

Melbourne, 16th April, 1946.

COUNTRY ROADS BOARD.

NOTICE is hereby given that, whereas the Board is of the opinion that, having regard to the nature of the construction of the main roads described hereunder, the use on the said main roads of motor cars, the weight of which and

of the load (if any) carried thereon exceeds six (6) tons, should be prohibited, the Board, in exercise of the powers conferred upon it by section 11 (i) of the *Motor Car Act 1928* (No. 3741), as amended by section 24 of the *Motor Car Act 1930* (No. 3901), doth prohibit the use on the main roads described of motor cars, the weight of which and of the load (if any) carried thereon exceeds six (6) tons.

Main roads referred to above:—

Woori Yallock-Pakenham-Koo-woe-rup road (between Woori Yallock and Cockatoo), in the Shires of Berwick and Upper Yarra.

Gembrook-Launching Place road, in the Shires of Berwick and Upper Yarra.

Don-road, in the Shire of Upper Yarra.

Noojee-Powelltown road, in the Shires of Upper Yarra and Buln Buln.

Little Yarra-road, in the Shire of Upper Yarra.

Mansfield-Woods Point road (between Jamieson and Mutlock), in the Shire of Mansfield.

Yarra Glen-Glenburn road (between Steels Creek and Glenburn), in the Shires of Eltham and Yea.

By order,
R. JANSEN,
Secretary.

Melbourne, 16th April, 1946.

National Security (Emergency Powers) Acts.

REGISTRATION OF FUEL MERCHANTS.

IN pursuance of the provisions of section 5A of the National Security (Firewood and Coke Supply) Regulations (No. 4) published in the *Government Gazette* of 31st May, 1944, No. 95, the following fuel merchants are hereby registered by the Forests Commission:—

Name; Place of Business.

- A.
Ainger Bros.; Blackburn-road, Blackburn.
- B.
Baker Bros.; cr. Union and Manallack streets, Brunswick.
Baker, W. L.; Patterson's road, Bentleigh.
Barfett, P.; 22 Barrow-street, East Coburg.
Bourke, P. J.; cr. St. George's-road and Alfred-crescent, North Fitzroy.
Brew, H., and Beacall, J.; 25 White-street, Mordialloc.
Brown, J. W.; 435 Basin-street, Carrum.
Burnett, J. A.; 168 High-street, Preston.
Bushby, P. C.; cr. Mt. Alexander and Carnarvon-roads, North Essendon.
- C.
Communal Fuel Produce and Garden Supply (Moore, F. W., and Smith, A. J.); cr. Riversdale-road and Elgar-road, Box Hill.
Cooper, C. E.; 2 Alexander-street, Collingwood.
- D.
Dennis, H. C.; 51A Walker-street, Northcote.
Dunham, E. F.; 411 Cardigan-street, Carlton.
- E.
Edwards, V. F.; 5 Burgundy-street, Heidelberg.
- F.
Flack, B. J.; 317 Moray-street, South Melbourne.
Forayth, W. A.; cr. Balcombe-road and Ebdon-avenue, Black Rock.
Francis, A. W.; 535 Bell-street, Preston.
- G.
Gibbs, F. R.; Gun Club, Reservoir.
Gibson, S. G.; 172 Cumberland-road, Pascoe Vale.
Gill, D.; 739 High-street, Thornbury.
Goldsworthy, T. H., and Holt, W. F.; cr. Council and Smith streets, Collingwood.
Grover Bros., cr. Stott-street, and Austral-avenue, Preston.
- H.
Hall, H. J.; 73 Turner-street, Abbotsford.
Hearn, H. A.; 82A Bell-street, Fitzroy.
Henry, M., and Brown, R.; 179 McKinnon-road, McKinnon.
Herbert, W. F.; 102 Severn-street, Box Hill.
Heylbut, G.; Olinda-grove, East Oakleigh.
Hibbert, S. D., and Goodall, Mrs. R. M.; 481 Heidelberg-road, Fairfield.
Highfield Timber Co. (Magor, A. E.); cr. Prospect Hill and Highfield roads, Canterbury.
Horton, V.; cr. Glenhantly and Orrong roads, Elsternwick.
Hutt, W. A.; Henry-street, Greensborough.
- J.
Jensen, W. H.; 320 Drummond-street, Carlton.
- K.
King, C.; Dandenong-road, Oakleigh.
King Bros.; Highbett-road, Highbett.
- L.
Leslie, R. R.; Keys-street, Beaumaris.
- M.
McClure, H. F.; 66 Rose-street, Fitzroy.
McInerney, J. C.; cr. Hawthorn and North roads, Caulfield.
McKrell, A. G.; 121-123 Bluff-road, Black Rock.
- M.
Marriott, F.; 555-7 Victoria-street, South Northcote.
Monahan, M. J.; 148-150 Buckley-street, Essendon.
Mont Albert Fuel Supply (Bennett, L., and Mills, B. R.); 669 Whitehorse-road, Mont Albert.
- O.
O'Bryan Bros.; cr. Kooyong and Gardenvale roads, Gardenvale.
- P.
Payton, A.; 128 Thomas-street, Hampton.
- R.
Renouf, E. A.; Agg-street, Fairfield.
Robertson, L. W.; cr. Ormond-road and St. Kilda-street, Elwood.
Rolfe, E. P., and Son; Holland-road, Blackburn.
Rose, S. I.; Tooronga-road, Tooronga.
Russell, G. W., and Fedley, D. A.; 210 George-street, Fitzroy.

Name; Place of Business.

- S.
Sawers, J. S.; cr. Kambrook and Balaclava roads, Caulfield.
Scanlon, M.; North Carlton Railway Siding.
Simms, C. G.; 289 Victoria-street, Abbotsford.
Simons, W. E.; cr. Bell-street and Clifton-grove, Coburg.
Smith, K. J.; cr. Balcombe-road and Swanston-street, Mentone.
Sparks, M. M. (Mrs.); cr. Victoria and Mayfield streets, Coburg.
Stephens, A., and Cullis, G. L.; 721 Heidelberg-road, Alphington.
- T.
Thompson, P.; 46 Connell-street, Oakleigh.
- W.
Walker, A. E.; Grange-place, rear 33 McKenzie-street, Melbourne.
Wasley, A. V.; 49 Nicholson-street, East Coburg.
Waters, E. J., and Jean, L.; 1933 Lower Malvern-road, Darling.
Westbury Fuel Depot (Westbury, E. J., Mathieson, G., and Kuhnell, A. E.); 72 Market-street, Newport.
Williams, D. L.; 31 Curran-street, North Melbourne.
Wood, S. R.; 252 Hampton-street, Hampton.
Wright, D.; 77 Willsmere-street, North Kew.
- Y.
Young, L.; 25 Comas-grove, Thornbury.
- Transfers.
Smith, R. 875 Canterbury-road, Box Hill (Acme Wood Supplies), trade name still retained, from Allen, E. E.
Abbott, C. J., and Prior, J. M., 57 Toorak-road, South Camberwell, from Collier, J. R.
Alexander, H. W., 11-13 Victoria-road, Auburn, from Keimp, C. T.
Bannah, K., 481 Plenty-road, Preston, from Devers, G.
Byrne, H., 420 New-street, Elsternwick, from Burns, B.
Carroll Bros., rear 450 Chapel-street, South Yarra, from McMahon, J.
Dawson, R. and R. W., 270 Williamstown-road, Yarraville, from Brierty, J. T.
Dennis, W. J., 193 Dundas-street, Preston, from Dennis, W. J. and H. C.
Doxford, T., 202 The Parade, Ascot Vale, from Wall, E.
Elliott Bros., cr. Balmain and Church streets, Richmond, from Carey, D.
Foster, L. R. and C., Sydney-road, Campbellfield, from Bunting, Mrs. E. V.
Freeman, A. J., 355 Whitehorse-road, Balwyn, from Freeman, J. E.
Glover, D. J., 501 Wilson-street, South Yarra, from Lockett Bros.
Green, J. E., cr. Rae and Holden streets, North Fitzroy, from Martin, R., and Sons.
Griffiths, B. W., and Keily, R., 87 South-crescent, Northcote South, from Tanner, R. W.
Hastie, D. W., Barkly-street, Heidelberg, from Hancock, H.
Hansen, E., cr. Kay and Canning streets, Carlton, from Berry and Irish.
Hansen, E., cr. Canning and Faraday streets, Carlton, from Irish, A. E.
Howdle, D. G., and Whitaker, W., 92 Pearson-street, West Brunswick, from Tutty, J.
Hunt, R. A., and L., 2 Glenferrie-road, Malvern (Penney and Co.), trade name still retained, from Lloyd, E. W.
Hbery, E. C., 604 North-road, Ormond, from Brand, G.
Jones, C. G., 189 Edward-street, East Brunswick, from Tisseur, A. G.
Lander, A., North Williamstown Siding, from Magor, J. R.
Lang, R., Railway-parade, Highbett, from Andersson, G.
Malcomson, W. G., 194 Moreland road, Moreland, from Hamilton, R. C.
Martin Bros., 106 Murrumbidgee-road, Murrumbidgee, from King, R.
Millard, A., 65 Atherton-road, Oakleigh, from Norman, J. H.
Mont Albert Fuel and Ice Supplies (E. J. Allen); 42 Hamilton-street, Mont Albert, from Acme Wood Supplies (E. E. Allen).
Oates, J. W., Como-parade, Parkdale, from Allen, F. W.
Palmerston Fuel and Ice, 45 Atherton-road, Oakleigh (R. W. Adkins and W. Matthé); from Monallan, M.
Plummer, C. M., 123 Lygon-street, Carlton, from Cole, J. J.
Pollock Bros., 84 Neill-street, Carlton, from O'Brien, D.
Purcell, N., and Treacy, J., Martin-street, South Yarra, from Gavros and Farnington.
Rennie, C., 408 Burke-road, Camberwell, from Simmonds, E. E.
Robertson, J. A., 295 Buckley-street, Essendon, from Sonsie, J.
Rosanna Fuel Supply—trade name to continue (Churchyard, C., Lower Plenty-road, Rosanna), from Daye.
Ryan, F. J., 29 Scott-street, Elwood, from Orr, J.
Ryan, J., 770 Station-street, Box Hill, from Underwood, J. N.
Salter, A., rear 31 Brindisi-street, Mentone, from Kerr, J.

*Name; Place of Business.**Transfers—continued.*

Scott, R. W., and Jones, A., Princess-street, Fawkner, from Alexander, R.
 Seach, G. T., 153 Martin-street, Gardenvale, from Seach, J.
 Stephenson, W. J., and Cole, C. R., 189-191 Waverley-road, East Malvern, from Moore, T. F.
 Storr, R., 1189 Toorak-road, Malvern, from Osborne and Smith (Peterkin).
 Thomson, W., 1375 High-street, Malvern, from Chapman, L. A.
 Tootell, S. R. and S. G., 23 Lennox-street, North Richmond, from Gladman, W. A.
 Trahair, J., 184 Maribyrnong-road, Moonee Ponds, from Ivory, A. J. (deceased).
 Walton, J., 27 Bent-street, Northcote, from Clarke, S. V.
 Wardley, Geo., 462 Burwood-road, Hawthorn, from De Goldi, C.
 Williams, E., cr. Albion and Holmes' streets, East Brunswick (Lyndhurst Fuel Supply), from Williams E., and Sarda A.
 Williamson, G. F., cr. Bastings and Sharp streets, Northcote, from Hodgson, J. E.
 Victory Fuel Supply (Coleman, J. E., and Dargavel), 45 Havelock-street, St. Kilda.

Location Transfers.

Creaton, E., from rear 831 Burke-road, Hawthorn and cr. Camberwell-road and Roseberry-street, Hawthorn East, to rear 47 Camberwell-road, Hawthorn (one yard only).
 Dennis, W. J., from 193 Dundas-street, Preston, to 167 Dundas-street, Preston.
 Malcolm and Kearney Pty. Ltd., from 109-115 Burwood-road, Hawthorn, to 403 Canterbury-road, Surrey Hills.
 Rankine, C. E., from 3 Freeman-street, North Fitzroy, to cr. Canning and Park streets, North Carlton.

Cancellations.

Bird, H., Grange-place, rear 33 McKenzie-street, Melbourne.
 Churchyard, C., Beetham-parade, Rosanna.
 Clark, W., 259 Victoria-street, Abbotsford.
 Collins, C. H., and Vanricham, R. L., 739 High-street, Thornbury.
 Dew, E., 41 Hawthorn-road, Caulfield.
 Jones, W. P., 106 Bank-street, South Melbourne.
 McBain (Canterbury Fuel Supply), cr. Prospect and Highfield roads, Canterbury.
 Poynton, G., 78 White-street, Mordialloc.
 Stewart, G., 150 Buckley-street, Essendon.
 Walding, H. F., 179 McKinnon-road, McKinnon.
 Wright, N., 67 Thistlewaite-street, South Melbourne.

NOTICE.

ADMINISTRATION of the estate of each of the under-mentioned deceased persons has been granted to me, and creditors, next of kin, and all others having claims against the estate of any of the persons so mentioned are required to send particulars of their claims to the Public Trustee, No. 412 Collins-street, Melbourne, on or before the 17th July, 1946, or they will be excluded from the distribution of the estate when the assets are being distributed:—

ALDRED ELIZABETH ANN, late of 10 Tooronga-road, Hawthorn East, home duties, died 28th April, 1942, intestate.
 CARMODY, JOSEPH, also known as Joseph Aloysius Carmody, late of Bunbury-street, Footscray, fruit inspector, died 27th November, 1932, intestate.
 *CHODZIESNER, DOROTHEA, also known as Dorothea Sara Chodziesner, formerly of Berlin, in Germany, but late of Concepcion, in the Republic of Chile, married woman, died 6th November, 1943.
 Cox, THOMAS, late of 50 Park-street, Pascoe Vale, timber worker, died 16th February, 1946, intestate.
 DAVIES, ALFRED JOSEPH, late of Mount Royal, Parkville, formerly of Hutton-street, Thornbury, medical practitioner, died 2nd March, 1945, intestate.
 DAY, ARTHUR WILLIAM, late of 21 Charlotte-street, Collingwood, process worker, died 5th April, 1946, intestate.
 †DOHERTY, ROSETTA ALICE, late of 86 Stanhope-street, Malvern, widow, died 8th March, 1946.
 *DURSTON, ALBERT WILLIAM, formerly of 293 Scotchmer-street, Fitzroy, but late of A.I.F., soldier, died 5th March, 1942.
 GALLAGHER, CATHERINE, late of 43 Upton-road, Windsor, married woman, died 7th March, 1945, intestate.
 HATT, LUCY, late of Vincent-street, Daylesford, married woman, died 6th March, 1946, intestate.
 HAWKBRIDGE, STELLA ANGELA, late of 14 Pakington-street, Kew, married woman, died 1st October, 1945, intestate.
 LUCAS, TIMOTHY JAMES, late of Lock Nine, Mildura, labourer, died 29th January, 1946, intestate.
 LUOMA, ISAK ILAI, late of Tangil Bren, labourer, died 6th April, 1941, intestate.
 †MURPHY, NELLIE (in the will called Nelie Murphy), late of 14 Bellerine-street, Geelong, married woman, died 17th February, 1940.
 McLoughlin, MARY, late of 83 Young-street, Fitzroy, spinster, died 12th March, 1946, intestate.
 NEWMAN, ARTHUR PERCIVAL, late of 40 Thomas-street, Hampton, milk carter, died 23rd February, 1946, intestate.

*NIVISON, ROBERT, formerly of 39 Pental-road, Caulfield, but late of Western Camp, Yallourn, engine driver, died 27th January, 1946.

O'BRIEN, AGNES GRAHAM, formerly of 32 Wattle Valley-road, Canterbury, but late of 23 Matlock-street, East Camberwell, married woman, died 24th June, 1941, intestate.

†O'DONNELL, CARROLL BERNARD, late of Wellington, New Zealand, retired solicitor, died 24th November, 1944.

†ROSSITER, EFFIE MAY, late of 23 Russell-street, Camberwell, home duties, died 18th January, 1946.

SIMKIN, PERCY WALTER, late of Digby, labourer, died 14th December, 1945, intestate.

SPINNER, CATHERINE, late of 77 Evans-street, East Brunswick, married woman, died 24th January, 1946, intestate.

STEWART, CHARLES WILLIAM, late of 10 Roseberry-avenue, Preston, tramway employee, died 26th February, 1946, intestate.

†STEWART, JAMES MACNAB, formerly of Colac, and 122 Barker's-road, Hawthorn, but late of Australian Imperial Forces, soldier, died 1st July, 1942.

*WALSH, THOMAS, late of 218 Dank-street, Albert Park, labourer, died 8th March, 1946.

WATSON, ERNEST SAMUEL, late of 240 Domain-road, South Yarra, draftsman, died 30th January, 1946, intestate.

*WHYTCROSS, RONALD DAVID, formerly of 31 Edgvale-road, Kew, but late of A.I.F., soldier, died 3rd November, 1943.

* According to the provisions of the will.

† With the will annexed.

J. E. DON,
Public Trustee.

Melbourne, 8th May, 1946.

4 GEORGE VI. No. 4755, SECTION 6.

I HEREBY give notice that on the 1st May, 1946, I filed elections to administer the following deceased persons' estates, in accordance with section 6 of the *Public Trustee Act 1940*:—

DAVIES, ALFRED JOSEPH, late of Mount Royal, Parkville, formerly of Hutton-street, Thornbury, medical practitioner, died 2nd March, 1945, intestate.

NEWMAN, ARTHUR PERCIVAL, late of 40 Thomas-street, Hampton, milk carter, died 23rd February, 1946, intestate.

*NIVISON, ROBERT, formerly of 39 Pental-road, Caulfield, but late of Western Camp, Yallourn, engine driver, died 27th January, 1946.

SIMKIN, PERCY WALTER, late of Digby, labourer, died 14th December, 1945, intestate.

* According to the provisions of the will.

I HEREBY give notice that on the 7th May, 1946, I filed elections to administer the following deceased persons' estates, in accordance with section 6 of the *Public Trustee Act 1940*:—

CARMODY, JOSEPH, also known as Joseph Aloysius Carmody, late of Bunbury-street, Footscray, fruit inspector, died 27th November, 1932, intestate.

*CHODZIESNER, DOROTHEA, also known as Dorothea Sara Chodziesner, formerly of Berlin, in Germany, but late of Concepcion, in the Republic of Chile, married woman, died 6th November, 1943.

Cox, THOMAS, late of 50 Park-street, Pascoe Vale, timber worker, died 16th February, 1946, intestate.

DAY, ARTHUR WILLIAM, late of 21 Charlotte-street, Collingwood, process worker, died 5th April, 1946, intestate.

*DURSTON, ALBERT WILLIAM, formerly of 293 Scotchmer-street, Fitzroy, but late of A.I.F., soldier, died 5th March, 1942.

GALLAGHER, CATHERINE, late of 43 Upton-road, Windsor, married woman, died 7th March, 1945, intestate.

HATT, LUCY, late of Vincent-street, Daylesford, married woman, died 6th March, 1946, intestate.

HAWKBRIDGE, STELLA ANGELA, late of 14 Pakington-street, Kew, married woman, died 1st October, 1945, intestate.

LUCAS, TIMOTHY JAMES, late of Lock Nine, Mildura, labourer, died 29th January, 1946, intestate.

LUOMA, ISAK ILAI, late of Tangil Bren, labourer, died 6th April, 1941, intestate.

McLoughlin, MARY, late of 83 Young-street, Fitzroy, spinster, died 12th March, 1946, intestate.

O'BRIEN, AGNES GRAHAM, formerly of 32 Wattle Valley-road, Canterbury, but late of 23 Matlock-street, East Camberwell, married woman, died 24th June, 1941, intestate.

*WALSH, THOMAS, late of 218 Dank-street, Albert Park, labourer, died 8th March, 1946.

WATSON, ERNEST SAMUEL, late of 240 Domain-road, South Yarra, draftsman, died 30th January, 1946, intestate.

*WHYTCROSS, RONALD DAVID, formerly of 31 Edgvale-road, Kew, but late of A.I.F., soldier, died 3rd November, 1943.

* According to the provisions of the will.

J. E. DON,
Public Trustee.

412 Collins-street, Melbourne, C.1, 8th May, 1946.

CONTRACTS ACCEPTED.—(Series 1945-46.)

Gazette No. 86.—28th June, 1945—Schedule No. 37—Electric Lamps, Accessories, Cables, Conduit, &c.—For the rates shown opposite the following items substitute the rates as set out hereunder:—

Item No.	Rate.		
		s.	d.
66	per dozen	3	10
67	per dozen	4	5
68	per dozen	2	6
69	per dozen	2	9
70	per dozen	2	0
74	per gross	1	7

To take effect as from 15th April, 1946.

W. H. RUTHERFORD, Secretary to the Tender Board. 14.5.46.

ORDERS IN COUNCIL.—(Series 1945-46.)**DEPARTMENT OF PUBLIC WORKS.**

1556. Overhaul and repairs, &c., to S.S. *Rip*, Ports and Harbors, Williamstown, £1,265 7s. 3d.—Hobson's Bay Dock and Engineering Company Proprietary Limited.

Approved by the Governor in Council, 7th May, 1946.—
C. W. KINSMAN, Clerk of the Executive Council.

STATE RIVERS AND WATER SUPPLY COMMISSION.
Stores Suspense—

1557. 145 tons of chaff, £1395 12s. 6d.—V. Ansell and Co. Pty. Ltd.

Approved by the Governor in Council, 15th January, 1946.—
C. W. KINSMAN, Clerk of the Executive Council.

STATE ELECTRICITY COMMISSION.

1558. For the supply of pins for overburden dredger bucket chain, to Quotation No. 3282.—Horrocks Roxburgh Pty. Ltd.

1559. For the supply of pins for overburden dredger bucket chain, to Quotation No. 3282.—Commonwealth Steel Co. Ltd.

1560. For the supply of 24 ex-army trailers.—Commonwealth Disposals Commission.

1561. For the erection of six temporary shops, Yallourn, to Specification No. 45-46/116.—Marr and Beards.

1562. For the supply of 245 tons Lithgow small coal.—Municipality of Albury.

1563. For the supply of one only bucket and belt type elevator for concrete plant, Yallourn, to Quotation No. 3656.—Jaques Bros. Pty. Ltd.

1564. For the supply of 420 black oilskin coats for general purposes, to Quotation No. 4234.—Grimsby Waterproof Co. Pty. Ltd.

1565. For the supply of 396 black oilskin coats for general issues at Kiewa, to Quotation No. 4236.—Grimsby Waterproof Co. Pty. Ltd.

1566. For the dismantling, removal, and re-arrangement of switchgear at Waratah-place and Bouverie-street sub-stations.—The Corporation of the City of Melbourne.

1567. For the supply of 9,000 feet of 26 pair paper insulated supervisory control cable for Kiewa Hydro-Electric Scheme, to Specification No. 45-46/60.—Alan Crook Electrical Co. Pty. Ltd.

1568. For the supply of six oil circuit breakers for electrically-operated pumps and shovels, Yallourn open cut, to Quotation No. 2257.—Australian General Electric Pty. Ltd.

Approved by the Governor in Council, 7th May, 1946.—
C. W. KINSMAN, Clerk of the Executive Council.

TRARALGON WATERWORKS TRUST.

At the Executive Council Chamber, Melbourne, the seventh day of May, 1946.

PRESENT:

His Excellency the Governor of Victoria.
Mr. Hayes | Mr. Fraser.

APPOINTMENT OF A COMMISSIONER.**AMENDMENT OF ORDER.**

UNDER the powers conferred by the Water Acts and all other powers enabling him in that behalf, His Excellency the Governor of the State of Victoria, by and with the advice of the Executive Council of the said State, doth hereby amend as follows the Order in Council made on the 9th April, 1946, and published in the *Victoria Government Gazette* dated 17th April, 1946, appointing Wallace Mathieson to be a Commissioner of the Traralgon Waterworks Trust.

For the expression "and to hold such position during the present term of office of R. Felstead as a Councillor for the Town Riding of the Shire of Traralgon," there shall be substituted the expression "and to hold office as such from the 9th April, 1946, until the 10th October, 1947."

C. W. KINSMAN,
Clerk of the Executive Council.

MOTOR OMNIBUS ACT 1928 (No. 3742).

At the Executive Council Chamber, Melbourne, the seventh day of May, 1946.

PRESENT:

His Excellency the Governor of Victoria.
Mr. Hayes | Mr. Fraser.

ADDITIONAL MOTOR OMNIBUSES ON CERTAIN METROPOLITAN MOTOR OMNIBUS ROUTES.

HIS Excellency the Governor of the State of Victoria, by and with the advice of the Executive Council thereof, and in pursuance of the powers conferred by the *Motor Omnibus Act 1928* (No. 3742), doth by this Order authorize the licensing of additional motor omnibuses, as set out hereunder, on certain routes, viz., Nos. 27, 33, and 7A, within the metropolitan area, along which motor omnibuses for which "regular service" licences are granted may ply for hire, viz.:—

Route 27 (Melbourne-North Williamstown).—Under the heading "Maximum Number of Motor Omnibuses which may be licensed on Route" amend "2" to read "3."

Route 33 (Melbourne-Toorak).—Under the heading "Maximum Number of Motor Omnibuses which may be licensed on Route" amend "5" to read "6."

Route 7A (Coburg).—Under the heading "Maximum Number of Motor Omnibuses which may be licensed on Route" amend "2" to read "3."

Licensing Authority.—Pursuant to the provisions of section 15 (1(c)) of the said Act (No. 3742), the Governor in Council by this Order confers upon the Licensing Authority full power and authority for the carrying into effect by the said Licensing Authority of the foregoing provisions of this Order.

And the Honorable Patrick John Kennelly, His Majesty's Commissioner of Public Works for the State of Victoria, shall give the necessary directions herein accordingly.

C. W. KINSMAN,
Clerk of the Executive Council.

COUNTRY ROADS BOARD.

At the Executive Council Chamber, Melbourne, the seventh day of May, 1946.

PRESENT:

His Excellency the Governor of Victoria.
Mr. Hayes | Mr. Fraser.

ORDER APPROVING OF A NEW TOURISTS' ROAD IN THE SHIRE OF BARRABOOL.

WHEREAS the Country Roads Board constituted under the *Country Roads Act 1928* (No. 3662) has represented to His Excellency the Governor in Council that it appears to it desirable that the new Ocean-road in the Shire of Barrabool should be made by the said Board: And whereas the said Board in accordance with the requirements of section 19 of the said cited Act and section 6 of the *Country Roads (Tourists' Roads) Act 1936* has caused to be prepared a map plan and estimate showing the points between which and on and through what land the said new road is proposed to be made and the cost of acquiring the land and constructing the said deviation: And whereas on an inspection of the said map and plan and a consideration of the said estimate His Excellency the Governor in Council is satisfied that there are funds legally available for acquiring the land and constructing the said new road: Now therefore be it known by this present Order that His Excellency the Governor of the State of Victoria with the advice of the Executive Council thereof doth hereby approve of the said road being made, that is to say:—

All that piece of land in the Parish of Angahook, the boundaries of which are as follow:—Commencing at the north-eastern angle of lot 1 on plan of subdivision numbered 7165, lodged in the Office of Titles, and being part of Crown allotment 13 of the said parish; thence by lines bearing respectively 171 deg. 40 min. 547.1 links, 278 deg. 36 min. 9.6 links, 345 deg. 29 min. 544.1 links, and 78 deg. 39 min. 68 links to the point of commencement—which said piece of land is particularly delineated and shown coloured red on survey plan numbered 4728, lodged in the office of the Country Roads Board.

And the Honorable Patrick John Kennelly, His Majesty's Commissioner of Public Works for the State of Victoria, shall give the necessary directions herein accordingly.

C. W. KINSMAN,
Clerk of the Executive Council.

The portions described above are particularly delineated and coloured red on plan marked "K.18.5.44" attached to Lands Department correspondence H.015752.

(B) Crown land given in exchange, 3 roods 21 perches, Parish of Keelangie, County of Benambra, in the seven separate portions hereinafter described:—

- (1) 2 roods 2 7/10 perches: Commencing on the eastern boundary of allotment 18A, section A, at a point bearing S. 29 deg. 16 min. W. 940 3/10 links and S. 38 deg. 59 min. E. 349 3/10 links from the north-eastern angle of allotment 18A, section A; bounded thence by lines bearing S. 54 deg. 57 min. E. 308 6/10 links and S. 22 deg. 28 min. E. 1,118 4/10 links; and thence by the eastern boundary of allotment 18A, bearing N. 26 deg. 5 min. W. 1,044 links and N. 38 deg. 59 min. W. 351 1/10 links to the point of commencement.
- (2) 6 2/10 perches: Commencing on the eastern boundary of allotment 18A, section A, at a point bearing S. 22 deg. 28 min. E. 648 6/10 links from the most southerly angle of portion 1; bounded thence by lines bearing S. 22 deg. 28 min. E. 120 2/10 links and S. 17 deg. 54 min. W. 100 links; and thence by the eastern boundary of allotment 18A, bearing N. 4 deg. 13 min. W. 206 8/10 links to the point of commencement.
- (3) 6 6/10 perches: Commencing on the western boundary of allotment 18, section A, at a point bearing S. 29 deg. 16 min. W. 727 8/10 links from the north-western angle of allotment 18; bounded thence by the western boundary of that allotment, bearing S. 29 deg. 16 min. W. 201 2/10 links and S. 38 deg. 59 min. E. 82 8/10 links; and thence by lines bearing N. 54 deg. 57 min. W. 106 7/10 links and N. 36 deg. 50 min. E. 223 1/10 links to the point of commencement.
- (4) 1 2/10 perches: Commencing on the western boundary of allotment 18, section A, at a point bearing N. 10 deg. 3 min. W. 545 links and N. 4 deg. 13 min. W. 692 4/10 links from the south-western angle of allotment 18; bounded thence by lines bearing N. 12 deg. 59 min. W. 86 9/10 links and N. 17 deg. 54 min. E. 35 2/10 links; and thence by the western boundary of allotment 18, bearing S. 4 deg. 13 min. E. 118 5/10 links to the point of commencement.
- (5) 33 2/10 perches: Commencing on the western boundary of allotment 18, section A, at a point bearing N. 10 deg. 3 min. W. 384 5/10 links from the south-western angle of that allotment; bounded thence by lines bearing N. 63 deg. 18 min. W. 66 8/10 links, N. 13 deg. 14 min. W. 196 1/10 links, and N. 13 deg. 9 min. E. 239 4/10 links; and thence by the western boundary of allotment 18, bearing S. 4 deg. 13 min. E. 296 7/10 links and S. 10 deg. 3 min. E. 160 5/10 links to the point of commencement.
- (6) 7 7/10 perches: Commencing on the eastern boundary of allotment 21A, section A, at a point bearing N. 18 deg. 41 min. W. 236 5/10 links from the south-eastern angle of allotment 21A; bounded thence by the eastern boundary of that allotment, bearing N. 18 deg. 41 min. W. 466 links; and thence by lines bearing S. 30 deg. 9 min. E. 104 links and S. 15 deg. 26 min. E. 364 7/10 links to the point of commencement.
- (7) 3 6/10 perches: Commencing at the south-western angle of allotment 21, section A; bounded thence by lines bearing N. 89 deg. 57 min. W. 16 7/10 links and N. 15 deg. 26 min. W. 278 9/10 links; and thence by the western boundary of allotment 21, bearing S. 18 deg. 41 min. E. 283 9/10 links to the point of commencement.

The portions described above are particularly delineated and coloured yellow on plan marked "K.18.5.44" attached to Lands Department correspondence H.015752.—(K.183*) (H.015752).

And the Honorable Leslie William Galvin, His Majesty's Commissioner of Crown Lands and Survey for the State of Victoria, shall give the necessary directions herein accordingly.

C. W. KINSMAN,
Clerk of the Executive Council.

DEPARTMENT OF LANDS AND SURVEY.

At the Executive Council Chamber, Melbourne, the seventh day of May, 1946.

PRESENT:

His Excellency the Governor of Victoria.

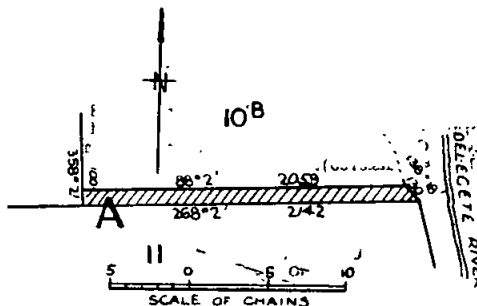
Mr. Hayes

Mr. Fraser.

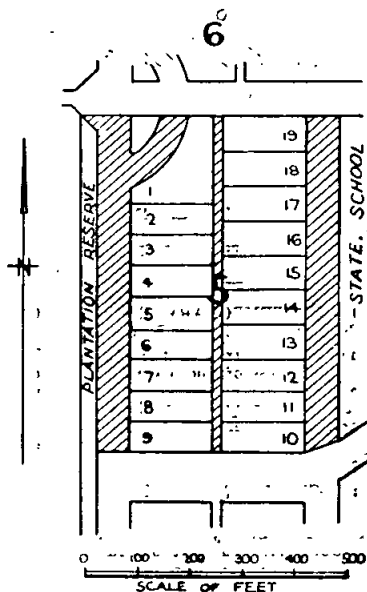
UNUSED AND UNMADE ROADS CLOSED.

HIS Excellency the Governor of the State of Victoria, by and with the advice of the Executive Council thereof, doth hereby direct that, in pursuance of the provisions of section 304 of the *Lands Act* 1928 (No. 3709), the unused and unmade roads referred to hereunder be closed, viz:—

Parish of Cabanandra, County of Croajingolong, being the road indicated by hachure on plan hereunder.—(C.451(7) (H.017706).



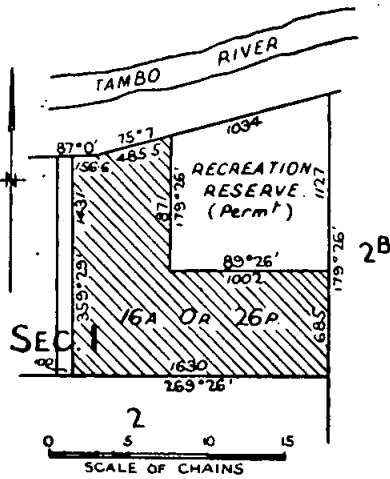
Township of Bamawm, Parish of Bamawm, County of Bendigo, being the roads indicated by hachure on plan hereunder.—(B.94E(2) (I.G.V.101).



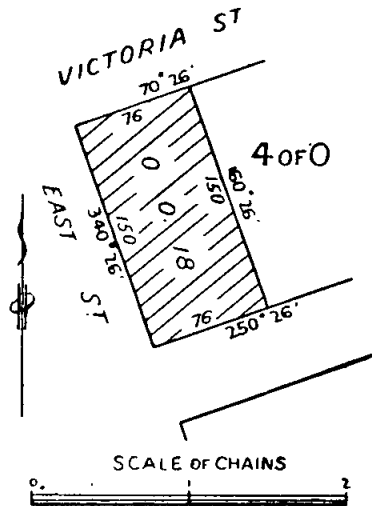
LANDS TEMPORARILY RESERVED FROM SALE.
HIS Excellency the Governor of the State of Victoria, by and with the advice of the Executive Council thereof, doth hereby, in pursuance of the provisions of the *Land Act*

1928, reserve, temporarily, and also except from occupation for mining purposes under any miner's right, the lands hereinafter described:—

ANGORA.—Site for Recreation Purposes, 16 acres 26 perches, Parish of Angora, County of Dargo, as indicated by hachure on plan hereunder.—(A.184⁽¹⁸⁾) (Rs.5750).



BALLAARAT EAST.—Site for Police Purposes, 18 perches, at Ballaarat East, City of Ballaarat, Parish of Ballaarat, County of Grant, as indicated by hachure on plan hereunder.—(B.128⁽¹⁸⁾) (Rs.5765).



REVOCATION OF TEMPORARY RESERVATIONS OF LANDS BY ORDERS IN COUNCIL.

HIS Excellency the Governor of the State of Victoria, by and with the advice of the Executive Council thereof, doth hereby, in pursuance of the provisions of the *Land Act* 1928, revoke, the temporary reservations of the lands by Orders in Council hereinafter referred to, viz:—

BUCHAN.—Site for Watering Purposes (Order in Council, 24th April, 1888).

DRUMDLEMARA.—Site for Quarry (Order in Council, 12th December, 1887).

DUNOLLY.—Site for Supply of Timber (for technical description, see *Government Gazette* of 3rd April, 1946).

SOUTH MELBOURNE.—Site for Municipal Purposes (Order in Council, 20th May, 1901).

And the Honorable Leslie William Galvin, His Majesty's Commissioner of Crown Lands and Survey for the State of Victoria, shall give the necessary directions herein accordingly.

C. W. KINSMAN,
Clerk of the Executive Council.

CONSTITUTION ACT AMENDMENT ACTS.

At the Executive Council Chamber, Melbourne, the fourteenth day of May, 1946.

PRESENT:

His Excellency the Governor of Victoria.

Mr. Cain	Mr. Galvin
Mr. Field	Mr. Hayes
Mr. Slater	Mr. Fraser.
Mr. Barry	

IN pursuance of the provisions contained in The Constitution Act Amendment Acts, His Excellency the Governor of the State of Victoria, by and with the advice of the Executive Council thereof, doth make the following Orders, that is to say:—

APPOINTMENT OF POLLING PLACES FOR THE MELBOURNE NORTH PROVINCE.

(1) Appoint Pascoe Vale South and Moreland West as Polling Places within and for the Coburg Division of the Melbourne North Province.

(2) Appoint Preston West, which is a Polling Place within and for the Preston Division, to be also a Polling Place for the Coburg Division of the Melbourne North Province.

(3) Appoint Macleod as a Polling Place within and for the Heidelberg Division of the Melbourne North Province.

REVOCATION OF THE APPOINTMENT OF A POLLING PLACE FOR THE MELBOURNE NORTH PROVINCE.

Revoke the appointment of Eglemont as a Polling Place within and for the Ivanhoe Division of the Melbourne North Province.

REVOCATION AND APPOINTMENT OF A POLLING PLACE FOR THE HIGINBOTHAM PROVINCE.

Revoke the appointment of Bentleigh East as a Polling Place within and for the Bentleigh Division, and appoint Bentleigh West in lieu thereof as a Polling Place within and for the said Division of the Higinbotham Province.

And the Honorable William Slater, His Majesty's Chief Secretary for the State of Victoria, shall give the necessary directions herein accordingly.

C. W. KINSMAN,
Clerk of the Executive Council.

THE CONSTITUTION ACT AMENDMENT ACTS.

At the Executive Council Chamber, Melbourne, the seventh day of May, 1946.

PRESENT:

His Excellency the Governor of Victoria.

Mr. Hayes	Mr. Fraser.
-----------	-------------

APPOINTMENT OF A POLLING PLACE FOR THE HIGINBOTHAM PROVINCE.

IN pursuance of the provisions contained in The Constitution Act Amendment Acts, His Excellency the Governor of the State of Victoria, by and with the advice of the Executive Council thereof, doth by this Order appoint—

BRIGHTON WEST

as a Polling Place within and for the Brighton Division of the Higinbotham Province.

And the Honorable William Slater, His Majesty's Chief Secretary for the State of Victoria, shall give the necessary directions herein accordingly.

C. W. KINSMAN,
Clerk of the Executive Council.

FACTORIES AND SHOPS ACTS.

At the Executive Council Chamber, Melbourne, the sixteenth day of April, 1946.

PRESENT :

His Excellency the Governor of Victoria.

Mr. Cain | Mr. Slater.

RECORD TO BE KEPT BY THE EMPLOYER OF ANY WORKER WITHIN THE MEANING OF THE FACTORIES AND SHOPS (ANNUAL HOLIDAYS) ACT 1946, IN RESPECT OF ANNUAL HOLIDAYS.

IN pursuance of the powers conferred by the Factories and Shops Acts, the *Acts Interpretation Act 1928*, and all other powers enabling him in that behalf, His Excellency the Governor of the State of Victoria, by and with the advice of the Executive Council thereof, doth hereby make the following Regulation, that is to say:—

1. The holiday record which every employer of a worker shall keep or cause to be kept, in pursuance of section 9 of the *Factories and Shops (Annual Holidays) Act 1946*, shall be in or to the effect of Form "A" in the Schedule hereto for workers whose employment is less than twelve months and in or to the effect of Form "B" in the said Schedule for other workers. The particulars therein prescribed shall be correctly entered in ink in the English language.

2. The holiday record may be incorporated with any time or wages record which the employer is required to keep under any Act other than the *Factories and Shops (Annual Holidays) Act 1946*.

3. The holiday record relating to any worker shall be made available by the employer at all reasonable times for inspection by such worker.

SCHEDULE.

Form "A."

ANNUAL HOLIDAYS RECORD.

(For workers whose employment is for less than twelve months.)

Name of Employer..... Address.....
 Class of business or calling (if any).....

Worker.			Dates Employed.		Amount Paid.			Date of Payment.
Name.	Address.	Capacity in which Employed.	From.	To.	Ordinary Wage.	Additional One-twenty-fifth of Ordinary Wage.	Total.	

Form "B."

ANNUAL HOLIDAYS RECORD.

(For workers whose employment is for twelve months or longer.)

Name of Employer..... Address.....
 Class of business or calling (if any).....

N.B.—A worker, who has been employed for twelve months, and is entitled to an annual holiday, must take such holiday. It is not permissible to make or receive a payment in lieu thereof.

Worker.			Details of Yearly Qualifying Period of Employment.			Details of Holidays Taken.				Remarks. (Date of Termination of Employment &c.)	
Name.	Address.	Capacity in which Employed.	Date of Commencement.	Details of any Additional Period to be Served (see Note below).	Date of Ending of Yearly Qualifying Period after Allowing for Additional Period Required to be Served.	From.	To.	Number of Days.	Holiday Pay.		
									Amount.	Date Paid.	

NOTE.—Additional periods to be served include all absences other than for—

- (a) Annual leave.
- (b) Any interruption or ending of employment made by the employer with the intention of avoiding obligations in respect of annual leave.
- (c) Sickness or accident, up to a total of fourteen days, in the year of employment.

And the Honorable Francis Field, for and on behalf of His Majesty's Minister of Labour for the State of Victoria, shall give the necessary directions herein accordingly.

C. W. KINSMAN,
 Clerk of the Executive Council.

(Published in lieu of the Regulation appearing in the *Government Gazette*, No. 72, dated 17th April, 1946, page 1324.)

The Constitution Act Amendment Acts,
 APPOINTMENT OF POLLING PLACE FOR ELECTORAL
 DISTRICT OF MERINDA.

At the Executive Council Chamber, Melbourne, the
 seventh day of May, 1946.

PRESENT:

His Excellency the Governor of Victoria.

Mr. Hayes, | Mr. Fraser.

IN pursuance of the provisions contained in the Constitution
 Act Amendment Acts, His Excellency the Governor of the
 State of Victoria, by and with the advice of the Executive
 Council thereof, doth hereby appoint—

WARRANDYTE NORTH,

as a Polling Place within and for the Kangaroo Ground Sub-
 division of the Electoral District of Merinda.

And the Honorable, William Slater, His Majesty's Chief
 Secretary for the State of Victoria, shall give the necessary
 directions herein accordingly.

C. W. KINSMAN,
 Clerk of the Executive Council.

PUBLIC HEARINGS BY PERSONS APPOINTED UNDER
 THE 34TH SECTION OF THE LAND ACT 1928.

NOTICE is hereby given that at the times and places men-
 tioned in the Schedule hereunder, applications for leases
 and licences under the Land Acts, objections to such applica-
 tions, objections to proposed proclamations, alterations,
 additions, diminutions, revocations or unions of commons,
 and reasons against forfeiture of any leases or licences under
 the Land Acts deemed liable to forfeiture, will be publicly
 heard by the persons whose names are set opposite such
 places, respectively, in such Schedule, being persons appointed
 by me, the responsible Minister of the Crown administering
 the Land Acts, to hear the same and report thereon in
 writing to me.

L. W. GALVIN,

Commissioner of Crown Lands and Survey:

Department of Lands and Survey,
 Melbourne, 9th May, 1946.

SCHEDULE.

NYAH, WEST, Tuesday, 28th May, at 9 a.m.—H. J. Henkel,
 Land Officer.
 MANANGATANG, Tuesday, 29th May, at 12.30 p.m.—H. J.
 Henkel, Land Officer.

COMMITTEES OF MANAGEMENT OF RESERVES.

APPOINTMENTS.

WHEREAS by section 184 of the Land Act 1928 it is
 provided that it shall be lawful for the Governor in
 Council, or the Board of Land and Works to appoint and
 remove any number of persons, not less than three, or any
 municipal council, or the governing body of any corporation
 to be a Committee of Management of any specified Crown land
 reserved either temporarily or permanently for any of the
 purposes set out in section 14 of the Land Act 1928, and not
 conveyed to or vested in trustees: Now therefore the Board
 of Land and Works doth hereby appoint the under-mentioned
 persons to be members of the Committee of Management of
 the Reserves named:—

“DRYSDALE FREE LIBRARY.”

George Wisbey, James Bennett, Noel David Lennox, Edith
 Gertrude McMahon, Violet Caroline Lunn, William Thomas
 Butcher, Robert Horace Gallop, Robert John Clarke, Charles
 Arthur Holliday, Harold William Bennett, and Ernest Arnold
 Burnett, as a Committee of Management for a period of three
 (3) years of the land permanently reserved by Order in Council
 dated the 10th August, 1885, as a site for a Free Library in
 the Town of Drysdale, and known as the “Drysdale Free
 Library.”—(Corres. Rs.1886.)

“BAMAWM EXTENSION RECREATION RESERVE.”

George Wembridge Dobson, James McInnes Sinclair, Edward
 Parry Horton, Edward Craig Yeaman, William Albert Spiers,
 Cecil Richard Cunningham, and David Weir Jarvie, as a Com-
 mittee of Management for a period of three (3) years of the
 land temporarily reserved by Order in Council dated the 2nd
 February, 1928, as a site for Public Park and Recreation in
 the Parish of Bamawm, and known as the “Bamawm Extension
 Recreation Reserve.”—(Corres. Rs.3598.)

“HEYWOOD RECREATION RESERVE.”

Norman Avenel Beavis, Clarence Edgar Ellis, Charles
 Edward Price, Ernest Alfred Barclay, and Herbert Henry
 Cundy as a Committee of Management for a period of three
 (3) years of the land temporarily reserved by Order in Council
 dated the 23rd November, 1891, as a site for Public Recreation
 in the Town of Heywood, and known as the “Heywood Recrea-
 tion Reserve.”—(Corres. Rs.76.)

“PHILLIP ISLAND KOALA RESERVE.”

Stanley Joseph McFee and Herbert Watchorn as members of
 the Committee of Management of the land temporarily reserved
 by Order in Council dated the 21st March, 1940, as a site for
 the Preservation of Koalas in the Parish of Phillip Island,
 and known as the “Phillip Island Koala Reserve,” in the
 place of Percy McFee, and William Eastwood Thompson, both
 resigned.—(Corres. Rs.79.)

“MYRNING MECHANICS' INSTITUTE.”

Robert Lidgett, William Frederick Linsdell, and Patrick
 Gerald Shanahan as a Committee of Management for a period
 of three (3) years of the lands temporarily reserved by Orders
 in Council dated the 29th October, 1866, and the 31st October,
 1898, as sites for a Mechanics' Institute in the Parish of
 Myrning, and known as the “Myrning Mechanics' Institute.”
 —(Corres. Rs.3977.)

APPROACHING LAND SALES.

SALES of Crown lands, in fee-simple, will be held at the
 under-mentioned places and dates, viz.:

	No. of Gazette.
Beechworth.—Friday, 17th May, 1946	72
Melbourne.—Wednesday, 22nd May, 1946	72
Lands and Survey Office, Melbourne.	

PROPOSED-REVOGATION-OF-TEMPORARY-
 RESERVATIONS OF LANDS BY ORDERS IN COUNCIL.

IN pursuance of the provisions of the Land Act 1928, notice
 is hereby given that it is the intention of the Governor
 in Council to revoke the temporary reservations of lands by
 Orders in Council hereunder, referred to, viz.:

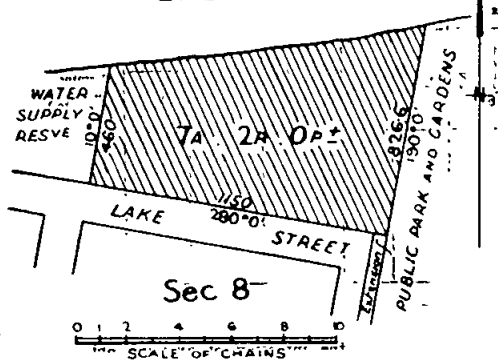
The following Notice was published 1° on the 1st May, 1946,
 pursuant to Order of the 24th April, 1946.

YARRA JUNCTION.—The Order in Council of the 4th June,
 1907, temporarily reserving 2 roods of land in the Township
 of Yarra Junction, being allotment 4, as a site for Shire Hall
 and Offices is about to be revoked.—(Y.128(8)) (Rs.5726.)

The following Notice was published 1° on the 15th May, 1946,
 pursuant to Orders of the 7th May, 1946.

EDENHOPE.—The Order in Council of the 1st July, 1880,
 temporarily reserving 38 acres of land in the Town of Eden-
 hope as a site for Water Supply purposes, revoked as to part
 by Order of the 18th January, 1908, is about to be further
 revoked so far as regards the portion comprising 7 acres
 2 roods, more or less, as indicated by hachure on plan here-
 under.—(E.916(1)) (Rs.2365.)

LAKE WALLAGE



WARRNAMBOOL.—The Order in Council of the 14th February,
 1939, temporarily reserving 5 acres 0 roods 3 2/10 perches of
 land in the Parish of Wangoom (City of Warrnambool) as
 a site for Public Recreation, is about to be revoked.—
 (W.1006(1)) (Rs.4918.)

L. W. GALVIN,
 Commissioner of Crown Lands and Survey.

"PORT CAMPBELL FREE LIBRARY RESERVE."

Reginald James Campbell Couch as a member of the Committee of Management for a period ending the 27th February, 1949, of the land temporarily reserved by Order in Council dated 29th June, 1887, as a site for a Free Library in the Parish of Paaratte, at Port Campbell, and known as the "Port Campbell Free Library Reserve," in the place of Herbert James Burgin, resigned.—(Corres. Rs.3505.)

"CANN RIVER SHOW GROUND AND PUBLIC RECREATION RESERVE."

Massey Albert Herbert, John Donald Connley, Alan Douglas Connley, Herbert Woolley, Charles Waddell, Eugene Patrick Reilly, Percy Gerald Ventry, Lawrence Thomas Stevens, Thomas Begeley, John Matthew Hadfield, Alfred Ernest Rothé, and Stanley William John Thomas Wilson as a Committee of Management for a period of three (3) years of the land temporarily reserved by Order in Council dated the 11th September, 1930, as a site for Show Ground and Public Recreation in the Township of Cann River: (formerly called Noorinbee), and now known as the "Cann River Show Ground and Recreation Reserve," in lieu of previous appointments of the 17th October, 1945.—(Corres. Rs.4041.)

RESERVE FOR RECREATION AND PUBLIC PURPOSES IN THE PARISH OF CUT-PAW-PAW.

The Council of the Shire of Braybrook as a Committee of Management of the land temporarily reserved by Order in Council dated 24th April, 1946, as a site for Recreation and Public purposes in the Parish of Cut-paw-paw, in addition to and adjoining the site temporarily reserved therefor by Order in Council dated 26th November, 1929.—(Corres. Rs.3934.)

"NOORINBEE PUBLIC PURPOSES RESERVE."

Joseph Armstrong, Stephen Thomas Filmer, William Henry Herbert, Raymond Charles William Cameron, Edward Henry Armstrong, Vernon Louis Peterson McCoy, and Percy Victor Broome as a Committee of Management for a period of three (3) years of the land temporarily reserved by Order in Council dated the 20th June, 1905, as a site for Public purposes in the Parish of Noorinbee, and known as the "Noorinbee Public Purposes Reserve," in lieu of all previous appointments.—(Corres. Rs.5782.)

AREA RESERVED AS A SANCTUARY FOR NATIVE BEARS AND FOR WATER SUPPLY PURPOSES IN THE PARISH OF PHILLIP ISLAND.

Stanley Joseph McFee and Herbert Watchorn as members of the Committee of Management of the land temporarily reserved by Order in Council dated the 24th December, 1937, as a Sanctuary for Native Bears and Water Supply purposes in the Parish of Phillip Island, and known as the "Rhyll Koala and Water Reserve," in the place of Percy McFee and William Eastwood Thompson, both resigned.—(Corres. Rs.4770.)

"DARGO CRICKET GROUND RESERVE."

Robert James Scott, John Thomas Phelan, Matthew Phelan, Norman King, Percy Edward Lee, William Websdale, and John Edmund Traill, as a Committee of Management for a period of three (3) years of the remaining portion of the land temporarily reserved by Order in Council dated the 13th September, 1869, as a site for a Cricket Ground in the Parish of Dargo, and known as the "Dargo Cricket Ground Reserve."—(Corres. Rs.5775.)

"AMHERST (ADELAIDE LEAD) RECREATION RESERVE."

James M. Dillon, Arthur Bartlett, and George Trickey as a Committee of Management for a period of three (3) years of the land temporarily reserved by Order in Council dated the 18th January, 1909, as a site for Public Recreation in the Parish of Amherst, and known as the "Amherst Recreation Reserve."—(Corres. Rs.4977.)

"GLENLOTH MECHANICS' INSTITUTE AND FREE LIBRARY RESERVE."

John Gerrard Miller, Bruce Hamilton Reed, Thomas James Howard, Thomas Carmody, and Oliver William Peter Judd, as a Committee of Management for a period of three (3) years of the land permanently reserved by Order in Council dated 18th July, 1892, as a site for Mechanics' Institute and Free Library in the Parish of Jeeruk, and known as the "Glenloth Mechanics' Institute and Free Library Reserve." This appointment is in lieu of all previous appointments.—(Corres. Rs.5769.)

"YARRA GLEN RECREATION AND SHOW GROUNDS RESERVE."

John Henry Walker, Robert Allan Bell, and Leslie Crichton Weller for a period of three (3) years, John Stanley Kerr, Charles Jeremiah Petty, and Ernest Arthur Cary as representatives of the Yarra Glen Agricultural and Horticultural Society, and Thomas William Irvine for so long as he continues

to be a Councillor and the elect of the Council of the Shire of Eltham, who is to be Chairman, as a Committee of Management of the land temporarily reserved by Order in Council dated 20th March, 1946, as a site for Public Recreation and Show Grounds in the Parish of Tarravarra, together with the adjoining permanent reservations along the River Yarra and Steel's Creek, all of which are coloured red on plan T/12.4.46 attached to Lands Department correspondence Rs.934, and known as the "Yarra Glen Recreation and Show Grounds Reserve."—(Corres. Rs.934.)

CHILDREN'S PLAYGROUND RESERVES AT ARARAT:

The Council of the Town of Ararat as a Committee of Management of the lands temporarily reserved by Orders in Council dated the 9th April, 1946, as sites for Children's Playgrounds in the Town of Ararat.—(Corres. Rs. 5772, 5773.)

"BYADUK MECHANICS' INSTITUTE AND FREE LIBRARY."

Johann Falkenberg, Francis James Holmes, and John McDougall as a Committee of Management for a period of three (3) years of the lands temporarily reserved by Orders in Council dated the 13th May, 1890, and the 29th August, 1905, as a site for a Mechanics' Institute in the Parish of Byaduk, and known as the "Byaduk Mechanics' Institute and Free Library."—(Corres. Rs.224.)

"BAYLES RECREATION RESERVE."

Eric Clive Finck, Harold Edgar Ridgway, Vernon Harold Morris, Samuel Raymond McKay, Edward Guinness Kane, James Ledingham McDonald, and Cyril Edwin Finck as a Committee of Management for a period of three (3) years of the land temporarily reserved by Order in Council dated the 30th October, 1923, as a site for Public Recreation in the Parish of Koo-wee-rup East at Bayles, and known as the "Bayles Recreation Reserve."—(Corres. Rs.2844.)

"PATHO RECREATION RESERVE."

Ernest Murray Rae, William Phyland, James Charles Splatt, Michael James Maher, John William Crawford, Douglas McDonald Russell, and Walter Douglas Russell as a Committee of Management for a period of three (3) years of the lands temporarily reserved as a site for Public Recreation in the Parish of Patho, and known as the "Patho Recreation Reserve."—(Corres. Rs.3140.)

"CUNNINGHAME RED BLUFF RESERVE."

Eva Margaret McInnes, Arthur Kent, Eustace Bach, Charles Axnick, and Andrew Gaunt Maben as a Committee of Management for a period of three (3) years of the land temporarily reserved by Order in Council dated the 12th February, 1935, as a site for Camping and Public Recreation in the Parish of Colqhoun, Township of East Cunninghame, and known as the "Cunninghame Red Bluff Reserve."—(Corres. C.79545.)

"BAYLES PUBLIC GARDENS AND PARK RESERVE."

Henry Edwin Hudson, Vernon Harold Morris, George Petrie Murdoch, Harold Edgar Ridgway, Gordon Potter, Samuel Raymond McKay, and Arthur James Griffiths as a Committee of Management for a period of three (3) years of the land temporarily reserved by Order in Council dated 20th June, 1932, as a site for Public Gardens and Plantation in the Parish of Yallock at Bayles, and known as the "Bayles Public Gardens and Park Reserve."—(Corres. Rs.4214.)

"BAYLES PUBLIC HALL RESERVE."

Harold Edgar Ridgway, Gordon Potter, Eric Clive Finck, Samuel Raymond McKay, Edward Guinness Kane, George Petrie Murdoch, and Arthur James Griffiths as a Committee of Management for a period of three (3) years of the land temporarily reserved by Order in Council dated 20th June, 1932, as a site for a Public Hall in the Parish of Yallock, and known as the "Bayles Public Hall Reserve."—(Corres. Rs.4213.)

"JEERALANG NORTH PUBLIC HALL."

Frederick Ernest Fowler, Agnes Mary Vonax, James Alexander Vonax, Annie Fowler, Donald Angus Beaton, James Douglas Fowler, and Annie Mary Fowler as a Committee of Management for a period of three (3) years of the land temporarily reserved by Order in Council dated the 14th August, 1933, as a site for a Public Hall in the Parish of Jeeralang, and known as the "Jeeralang North Public Hall."—(Corres. Rs.4324.)

In witness whereof the common seal of the Board of Lands and Works was hereunto affixed, this eighth day of May, One thousand nine hundred and forty-six, in the presence of—

(SEAL) L. W. GALVIN, President.
W. McILROY, Member.

Land Act 1928.

LEASE SURRENDERED.

NOTICE is hereby given that the Governor in Council has accepted the surrender of the Lease mentioned in the Schedule hereunder for the reason specified.

District.	Corr. No.	Name.	Section of Land Act under which Leased.	Parish.	Allotment.	Area.	Class.	Reason.
Melbourne ..	0493/125	Kenneth Wright Proprietary Limited	125 L.A. 1928	Melbourne South, City of South Melbourne	59K	A. R. P. 0 1 14 ⁷ / ₁₀	..	New Lease to issue.

Department of Lands and Survey,
Melbourne, 9th May, 1946.

L. W. GALVIN,
Commissioner of Crown Lands and Survey.

Land Act 1928.

LICENCE UNDER THE LAND ACT 1928 DECLARED VOID.

NOTICE is hereby given that the Licence mentioned in the Schedule hereunder has been declared void by the Governor in Council for the reason specified.

District.	Corr. No.	Name of Licensee.	Section of Land Act under which Licensed.	Parish.	Allotment.	Area.	Class.	Annual Rental.	Reason for Voiding.
Beechworth	202/129	Sherry, T. E. ..	129 L.A. 1928	Byawatha Township Eldorado	6 Sec. 4 ..	A. R. P. 0 0 32	..	£ s. d. 1 0 0	Non-compliance with residence condition

Department of Lands and Survey,
Melbourne, 10th May, 1946.

L. W. GALVIN,
Commissioner of Crown Lands and Survey.

Land Act 1928.

LEASE UNDER THE LAND ACT 1928 DECLARED EXPIRED.

NOTICE is hereby given that the Lease mentioned in the Schedule hereunder has been declared expired for the reason specified.

District.	Corr. No.	Name of Lessee.	Section of Land Act under which Leased.	Parish.	Allotment.	Area.	Class.	Annual Rental.	Reason for Voiding.
Benalla ..	1138/110	Coghill, D. H.	110 L.A. 1915	Rothsay (Tatong Township)	10A	A. R. P. 49 0 0	Swamp	£ s. d. 24 10 0	Term expired New lease to issue

Department of Lands and Survey,
Melbourne, 14th May, 1946.

L. W. GALVIN,
Commissioner of Crown Lands and Survey.

THE CLOSER SETTLEMENT ACTS.

NOTICE is hereby given that the Lease mentioned in the Schedule hereunder has been forfeited by the Board of Land and Works for the reason specified.

LEASE UNDER THE CLOSER SETTLEMENT ACT 1938.

Corr.	District.	Lessee.	Allotment.	Section.	Parish.	Area.	Remarks.
743/12	Mallee ..	Hunt, A. C. ..	28	..	Koonda ..	A. R. P. 1,064 3 29	Non-payment of instalments

W. McILROY,
Secretary for Lands.

TENDERS.

TENDERS will be received at this office until **TEN A.M.** on the days and for the purposes under mentioned.

Particulars may be learnt at this office, and also at the offices named in each instance.

The Board of Land and Works will not necessarily accept the lowest or any tender.

NOTICE TO CONTRACTORS.

PUBLIC TENDERS NOW CLOSE AT 10 A.M. EACH TUESDAY, IN LIEU OF THURSDAY.

21st May, 1946.

Alexandra.—Removal of school residence from State School No. 2841, Cathkin, and re-erection at State School No. 912. Particulars at Inspector of Works Office, Benalla; Police Stations, Mansfield, Seymour; State School, Alexandra. Preliminary deposit, £5. Final deposit, 2 per cent.

Ballarat.—Erection of two brick shelter pavilions, Mental Hospital. Particulars at Inspector of Works Offices, Ballarat, Bendigo, Geelong. Preliminary deposit, £15. Final deposit, 2 per cent.

Ballarat.—Installation of hot-water service, Teachers' College Hostel. Particulars at Inspector of Works Office, Ballarat. Preliminary deposit, £5. Final deposit, 2 per cent.

Beechworth.—Supply and delivery of motorized hand planing and jointing machine, Mental Hospital. Preliminary deposit, £2. Final deposit, 2 per cent.

Boolarra South.—Minor repairs, painting, and news boys' and girls' out-offices, State School No. 3670. Particulars at Inspector of Works Office, Korumburra; Police Stations, Mirboo North, Morwell; State School, Boolarra South. Deposit, £2.

Carlton.—Alterations to heating system, Country Roads Board, Exhibition Building. Preliminary deposit, £5. Final deposit, 2 per cent.

Clifton Hill.—Fencing, State School No. 3146. Particulars at State School, Clifton Hill. Deposit, £2.

Corryong.—Repairs and renovations, and new Police Office, hot-water service, septic tank, &c., Police Station. Particulars at Inspector of Works Office, Wangaratta; Police Stations, Corryong, Tallangatta. Preliminary deposit, £15. Final deposit, 2 per cent.

Geelong.—Installation of improved lighting, Gordon Institute of Technology. Particulars at Inspector of Works Office, Geelong. Preliminary deposit, £5. Final deposit, 2 per cent.

Geelong West.—Repairs and painting, State School No. 1492. Particulars at Inspector of Works Office, Geelong; State School, Geelong West. Deposit, £3.

Goroke.—New timber residence and office and out-buildings, Police Station. Particulars at Inspector of Works Offices, Horsham, Stawell; Police Stations, Goroke, Nhill. Preliminary deposit, £15. Final deposit, 2 per cent.

Greenvale.—Electrical installation (internal work only), Sanatorium. Particulars at Roderick Ross and Traill, Consulting Engineers, 123 William-street, Melbourne. Preliminary deposit, £25. Final deposit, 2 per cent.

Kew.—Renovations and painting, Doctor's Residence, Mental Hospital. Particulars at Mental Hospital, Kew. Preliminary deposit, £4. Final deposit, 2 per cent.

Koo-wee-rup North.—Repairs and painting, Teacher's Residence, State School No. 3198. Particulars at Police Stations, Dandenong, Koo-wee-rup. Preliminary deposit, £5. Final deposit, 2 per cent. (Amended specification.)

Melbourne.—Renovations, alterations and additions, Government Printing Office. Preliminary deposit, £10. Final deposit, 2 per cent.

Rushworth.—Repairs, painting and fencing, Court House and Police Station. Particulars at Inspector of Works Office, Shepparton; Police Stations, Echuca, Rushworth, Seymour. Preliminary deposit, £4. Final deposit, 2 per cent.

Sea Lake.—Removal of State School No. 4378, Gama, and State School No. 4370, Myall South. re-erection and converting into a Cookery Centre, State School No. 3273. Particulars at Inspector of Works Office, Swan Hill; Police Stations, Ouyen, Woomelang; State School, Sea Lake. Preliminary deposit, £10. Final deposit, 2 per cent.

Serviceton.—Painting, repairs, school and residence, State School No. 2831. Particulars at Inspector of Works Office, Horsham; Police Stations, Kaniva, Nhill; State School, Serviceton. Deposit, £4.

Warragul.—Painting, repairs, school and residence, State School No. 2104. Particulars at Inspector of Works Office, Bairnsdale; Police Stations, Moe, Traralgon; State School, Warragul. Deposit, £3.

Yarram.—Installation of an electric hot-water service, Police Station. Particulars at Inspector of Works Office, Korumburra; Police Station, Yarram. Deposit, £2.

28th May, 1946.

Ararat.—Supply and delivery of wood-working machines, Mental Hospital. Preliminary deposit, £5. Final deposit, 2 per cent.

Ballarat.—Extensions to heating system, Junior School, School of Mines. Particulars at Inspector of Works Office, Ballarat. Deposit, £3.

Beechworth.—New portico, painting, repairs and louvres, Ovens District Hospital. Particulars at Inspector of Works Office, Wangaratta; Police Station, Yackandandah; Ovens District Hospital, Beechworth. Preliminary deposit, £10. Final deposit, 2 per cent.

Bendigo.—Alterations to hot-water service, Teachers' College Hostel. Particulars at Inspector of Works Office, Bendigo. Deposit, £4.

Castlemaine.—Extension of partitions, new sliding doors, new fuel stoves, interior re-decorating, State School No. 119. Particulars at Inspector of Works Office, Bendigo; Police Station, Kyneton; State School, Castlemaine. Preliminary deposit, £2. Final deposit, 2 per cent.

Coburg.—Sale of dross and skimmings, Wire Netting Factory, Pentridge. Preliminary deposit, £10. Final deposit, full amount of purchase money.

Colignan.—Removal of State School No. 4258, Boonoonar, re-erection, repairs and painting at State School No. 4340. Particulars at Inspector of Works Office, Maryborough; Police Stations, Merbein, Mildura, Redcliffs. Preliminary deposit, £5. Final deposit, 2 per cent.

Drung Drung.—New out-offices, repairs and painting, State School No. 1519. Particulars at Inspector of Works Offices, Horsham, Stawell; Police Station, Nhill; State School, Drung Drung. Deposit, £3.

French Island.—Supply and delivery of one (1) diesel engine, McLeod Settlement. Preliminary deposit, £4. Final deposit, 2 per cent.

Geelong.—Supply and delivery of hot cathode fluorescent lighting equipment, Gordon Institute of Technology. Preliminary deposit, £10. Final deposit, 2 per cent.

Glen Brae.—Repairs and painting, State School No. 3752. Particulars at Inspector of Works Office, Ballarat; State School, Glen Brae. Deposit, £2.

Glen Iris.—Erection of brick additions, State School No. 1148. Preliminary deposit, £20. Final deposit, 2 per cent.

Hamilton.—Repairs and painting, Court House. Particulars at Inspector of Works Office, Stawell; Police Station, Hamilton. Deposit, £4.

Kew.—Supply and installation of steam boiler and steel stack for Children's Cottage, Mental Hospital. Preliminary deposit, £10. Final deposit, 2 per cent.

Kew.—Enclosing section of laundry verandah, Mental Hospital. Deposit, £2.

Lismore.—Erection of new residence, office and out-buildings, Police Station. Particulars at Inspector of Works Offices, Ballarat, Geelong; Police Station, Lismore. Preliminary deposit, £15. Final deposit, 2 per cent.

Lorne.—Erection of residence for patrolman, Country Roads Board. Particulars at Inspector of Works Office, Geelong; Police Stations, Colac, Lorne. Preliminary deposit, £15. Final deposit, 2 per cent.

Lubeck.—Repairs and painting, State School No. 2494. Particulars at Inspector of Works Offices, Horsham, Stawell; Police Station, Murtoa; State School, Lubeck. Deposit, £3.

Mont Park.—Erection of covered-ways, Gresswell Sanatorium. Preliminary deposit, £15. Final deposit, 2 per cent.

Mont Park.—External painting and renovations, Male Curative Ward, Mental Hospital. Preliminary deposit, £4. Final deposit, 2 per cent.

Mont Park.—Supply and installation of exhaust system, Main Kitchen, Gresswell Sanatorium. Preliminary deposit, £4. Final deposit, 2 per cent.

Port Fairy.—Supply and installation of electric hot-water service, Police Station. Particulars at Inspector of Works Office, Warrnambool; Police Station, Port Fairy. Deposit, £2.

Rochester.—Additions, repairs and painting, State School No. 795. Particulars at Inspector of Works Offices, Bendigo, Shepparton; Police Station, Echuca; State School, Rochester. Preliminary deposit, £15. Final deposit, 2 per cent.

Sea Lake.—Repairs and painting, Police Station. Particulars at Inspector of Works Office, Swan Hill; Police Stations, Birchip, Ouyen, Sea Lake, Woomelang. Preliminary deposit, £3. Final deposit, 2 per cent.

Warrnambool.—Supply and installation of electric hot-water service, Watch-house Keeper's Quarters, Police Station. Particulars at Inspector of Works Office, Warrnambool; Police Stations, Hamilton, Warrnambool. Deposit, £2.

Wurruk.—Repairs and painting, State School No. 2518. Particulars at Inspector of Works Office, Bairnsdale; Police Stations, Maifra, Sale; State School, Wurruk. Preliminary deposit, £4. Final deposit, 2 per cent.

Yarrowonga.—Removal of school and out-buildings from State School No. 2609, Yabba South, and re-erection at State School No. 1819. Particulars at Inspector of Works Offices, Benalla, Wangaratta; State School, Yarrowonga. Preliminary deposit, £4. Final deposit, 2 per cent.

4th June, 1946.

Kew.—Erection of ablation room, Mental Hospital. Particulars at Mental Hospital, Kew. Preliminary deposit, £10. Final deposit, 2 per cent.

Kew.—Erection of staff change room, Mental Hospital. Particulars at Mental Hospital, Kew. Preliminary deposit, £5. Final deposit, 2 per cent.

NOTICE TO CONTRACTORS.

PUBLIC TENDERS NOW CLOSE AT 10 A.M. EACH TUESDAY, IN LIEU OF THURSDAY.

Tenders to be addressed to the Honorable the Commissioner of Public Works, and envelope containing tender marked "Tender for" due

P. J. KENNELLY,
Commissioner of Public Works,
Melbourne, 14th May, 1946.

PRIVATE ADVERTISEMENTS.

NOTICE OF INTENTION TO APPLY FOR A LICENCE TO DIVERT WATER AND CUT RACES.

CORRECTION.

IN our notice of intention to apply for a licence to divert water from the River Murray at Wahgunyah, which was published in the *Victoria Government Gazette* of 23rd January, 1946, and the *Argus* of 23rd, 24th, and 25th January, 1946, the volume of water which we desired to divert was inadvertently stated as 800 acre-feet per annum in lieu of 1,600 acre-feet per annum.

Any objection to an amendment being made to the licence already issued in our name must be forwarded, in writing, to the State Rivers and Water Supply Commission, Melbourne, within 30 days of the date hereof.

GRAHAM BROS. PTY. LTD.
(E. T. Knox, Secretary),
Rutherglen,
6391

13th May, 1946.

NOTICE OF INTENTION TO APPLY FOR A LICENCE TO DIVERT WATER AND CUT RACES FROM THE GUNBOWER CREEK AT DALTONS BRIDGE, COHUNA.

I HEREBY give notice that I intend to apply for a licence empowering me to divert water for a term of fifteen years, to the extent of 50 acre-feet per annum at a maximum rate of 5 acre-feet per day of 24 hours for irrigation purposes, and to occupy certain Crown lands for works of storage and diversion, and to cut a race thereon.

Any objection to such application must be forwarded, in writing, to the State Rivers and Water Supply Commission, Melbourne, within 30 days of the date hereof.

GERALD PROUT,
Daltons Bridge, Cohuna, 27th April, 1946. 6397

HOSPITALS AND CHARITIES ACT 1928 (No. 3699).

IT is hereby notified for general information that the Charities Board of Victoria has, under the provisions of section 54 of the above-mentioned Act, approved the corporate name of "The Ballarat District Benevolent Home Incorporated" being changed to "The Queen Elizabeth Benevolent Home."

Dated at Melbourne this 7th day of May, 1946.

6375 C. L. McVILLY, Secretary,
Charities Board of Victoria.

CITY OF PRESTON.

LOAN No. 24.

NOTICE is hereby given that the Council of the City of Preston intends to borrow on the credit of the Mayor, Councillors, and Citizens of the said City, the sum of £15,000, such sum to be raised by the issue of debentures in accordance with the provisions of the Local Government Acts. The rate of interest to be named in the debentures shall be £3 7s. 6d. per centum per annum.

The money borrowed will be repayable, together with and including interest, at the Bank of New South Wales, Melbourne, or at the Council's bankers for the time being in the City of Melbourne, in half-yearly sums of £18 14s. 8d., on the 1st day of March and the 1st day of September in each year, the loan to have a currency of 20 years.

The purposes for which the loan is to be applied shall be as follows:

Underground drainage	£7,300	
Paving of footpaths	7,700	
		£15,000

The loan is to be liquidated by provisions out of the municipal fund of £18 14s. 8d., including interest, in each half-year during the currency of the loan.

The plans, specifications, and estimate of the cost of the works referred to above, and a statement showing the proposed expenditure of money to be borrowed, are open for inspection at the Municipal Offices, High-street, Preston.

Dated this 6th day of May, 1946.

6371 J. C. DONATH, Town Clerk.

BOROUGH OF STAWELL.

LOAN No. 15.

Notice of Intention to Borrow £3,000 for Permanent Works and Undertakings.

NOTICE is hereby given that the Council of the Borough of Stawell propose to borrow the sum of Three thousand pounds (£3,000), on the credit of the Mayor, Councillors, and Burgesses of the said Borough, by the issue of debentures, in accordance with the provisions of Part XV. of the *Local Government Act 1928*.

It is further proposed that—

1. The period of the loan will be ten years.
2. The maximum rate of interest that may be paid is £3 10s. per cent. per annum.
3. The moneys borrowed shall be repayable by providing out of the municipal funds twenty half-yearly instalments, each including principle and interest.
4. The moneys borrowed, and interest thereon, shall be payable at the Union Bank of Australia Limited, Melbourne, or at the Council's bankers for the time being in Melbourne.
5. The purpose for which the loan is to be applied is for street construction and drainage works.
6. The plans, specifications, and estimates of the cost of such equipment, with a statement of the proposed expenditure of the money to be borrowed, are open for inspection at the Town Hall.

Dated this 8th day of May, 1946.

6377 W. G. SHARPLEY, F.F.I.A., F.A.I.S., Town Clerk.

SHIRE OF GLENELG.

APPOINTMENT OF POUNDKEEPER.

NOTICE is hereby given that Mr. Cyril George Smith, of Casterton, has been appointed Poundkeeper of the Casterton Pound, as from the 10th day of May, 1946.

N. S. McLEOD, Shire Secretary.
Casterton, 11th May, 1946. 6428

SHIRE OF DANDENONG.

BY-LAW No. 85.

A By-law of the Shire of Dandenong, under section 197 of the *Local Government Act 1928*, as amended by section 9 of the *Local Government Act 1938*, and numbered 85, for the purposes of prohibiting, regulating, and controlling excavating operations.

IN pursuance of the powers conferred by the Local Government Acts and every other power it thereunto enabling, the President, Councillors, and Ratepayers of the Shire of Dandenong order as follows:—

1. No person shall, on any land situate within the municipal district of the Shire of Dandenong, commence or carry on any excavating operations (other than quarrying or blasting operations, or excavating operations connected with works commenced before the 10th day of November, 1938) for the removal of rock, stone, gravel, clay, soil, or sand from such land unless such person is the holder of, and except, within the limits of, a current permit so to do issued to him by the Council of the Shire of Dandenong, prescribing—

- (a) the area to which the permit relates;
- (b) the duration of the permit; and
- (c) the depth above sea level to which excavating operations may be carried on, upon the area described in the permit, (such depth to be ascertained by reference to and on the basis of the levels shown on contour survey plans published by the Melbourne and Metropolitan Board of Works or the State Rivers and Water Supply Commission in respect of their respective areas).

2. Every person to whom any permit may be issued by the Council to commence or carry on excavating operations shall, within three months after the expiration of such permit (unless in the meantime a new permit shall have been issued to him in respect of the same area) fill in the area excavated, under such permit with such material and to such level as the Council by its Municipal Clerk or Engineer, may prescribe by notice in writing be given to the holder of such permit within one calendar month after the expiration thereof.

3. The Council may, before issuing any permit to commence and carry on excavating operations, require the person applying for the permit to enter into such bond, or deposit or give such security as it may think sufficient to secure compliance with the requirements of paragraph 2 hereof.

4. No excavating operations (whether connected with works commenced before the 10th day of November, 1938, or not) shall be carried on within a distance of 50 feet from any street or road, or any land set out or reserved as a street or road, on any plan of subdivision lodged in the Office of Titles, or any land which is in fact used as a street, road, lane, or passage, or within a distance of 30 feet from any land, the ownership or occupation whereof is in some person other than the owner of the land on which such excavating operations are being carried on.

5. Every person carrying on excavating operations (hereinafter called the excavator) (whether such operations are connected with works commenced before the 10th day of November, 1938, or not), shall observe the following rules as to such operations:—

(a) If such excavating operations are carried on by manual power, the excavator shall carry on the same, using either one of the following methods:—

(i) the wall or face of such excavation may be terraced, but the vertical wall or face of each step in such terrace shall not be more than 6 feet in height, and the horizontal face of every terrace other than the step at the floor of such excavation shall be of not less width than one half of the height of the vertical wall or face immediately above it; or

(ii) the banks or sides of all such excavations shall be sloped down so that the batter of such banks or sides shall be maintained at a slope ratio of one horizontal to one vertical.

(b) If such excavations shall be carried on by means of a hydraulic nozzle or power shovel or similar method, then the excavator may work with a vertical wall or face, subject to the following conditions:—

(i) the excavator shall not permit any person, whether employee or otherwise, to be within a distance of 10 feet from such wall or face; and

(ii) the excavator shall not allow any overhang to exist in such wall or face;

(iii) every excavator working upon a vertical wall or face of a greater depth than 6 feet shall erect a fence of not less than 4 feet in height, either upon the boundary line of the land occupied by the excavator or in such position in relation to the brink of such wall or face as will protect persons on ground level from falling into the pit worked by the excavator. Such fence shall be of substantial construction, and may be of posts and rails or of posts not less than 22 feet apart, with two droppers equally spaced between posts, and of not less than three strands of wire (two of barb and one of eight-gauge plain). The top wire shall be barbed and shall be not more than 8 inches from the top of each post. The bottom wire shall be not more than 15 inches above ground level, and the intermediate wire shall be equidistant from the top and bottom wires. The bottom wire may be barbed or plain—according to the option of the excavator;

(iv) a wall or face which is not sloped down so that the batter of the banks or sides of the excavations shall be maintained at a slope ratio of one horizontal to one vertical shall be deemed a "vertical wall or face."

6. Every person carrying on excavating operations (whether connected with works commenced before the 10th day of November, 1938, or not), and using any mechanical or hydraulic power for such operations shall, within fourteen days from the publication of this By-law in the *Government Gazette*, notify the Council in writing of the place where such power is used or intended to be used, and in such notice shall furnish the Council with full information of the type and nature of such power.

7. Every person carrying on excavating operations, and whether using manual power or mechanical or hydraulic power, and whether working upon a vertical or a sloped or a terraced face, shall work or carry on all such excavations in such a manner that when any part of any excavation made by him is, at ground surface level, 50 feet from a street or road, or 30 feet from land not in the ownership or occupation of such

person (which are the limits provided in clause 4 hereof), the banks or sides of such excavations, and of all parts of such excavations, shall be sloped down so that a slope, or batter of one horizontal to one vertical is maintained.

8. Any person guilty of any wilful breach of any of the provisions of this By-law shall be liable for every such breach to a penalty of not less than Five pounds, nor more than Twenty pounds, and if such offence be a continuing offence to a further penalty of not more than Five pounds per day for each day of which such offence is continued after a conviction or order by any court.

Carrying on excavating operations without a permit or otherwise than in accordance with the limits of a permit (where a permit is required) shall be deemed a continuing offence.

9. This By-law shall apply to and have operation throughout the whole of the municipal district of the Shire of Dandenong.

10. This By-law shall come into operation and have effect immediately on its publication in the *Victoria Government Gazette*.

11. By-law No. 73 of the Shire of Dandenong is hereby repealed.

Resolution for passing this By-law agreed to by the Council on the 26th day of November, 1945, and confirmed the 14th day of January, 1946.

The common seal of the President, Councillors, and Ratepayers of the Shire of Dandenong was hereto affixed this 14th day of January, 1946, in pursuance of a Resolution of the Council, and in the presence of—

(SEAL) A. M. FLEMING, President.
J. C. MILLS, Councillor.
T. L. KEYS, Councillor.
R. BOOTH, Shire Secretary.

Approved by the Governor in Council,
16th April, 1946.

C. W. KINSMAN,
Clerk of the Executive Council.

6378

Health Act 1928.
SHIRE OF STRATHFIELDSAYE.

BY-LAW No. 58.

IN pursuance of the powers contained in the *Health Act 1928*, and of any other power thereunto enabling them in that behalf, the Council of the Shire of Strathfieldsaye, in the name and on behalf of the President, Councillors, and Ratepayers of the said Shire, for the purpose of carrying the said Act into execution within their jurisdiction, make the following By-law (that is to say):—

1. All former By-laws so far as they relate to the matters and things provided for in this By-law are hereby repealed.

2. This By-law shall come into full force and operation on its approval by the Governor in Council, and immediately after its publication in the *Government Gazette*.

3. This By-law shall apply to and have operation in that part of the municipal district of Strathfieldsaye bounded on the north by the road running east for 11 chains from the single-arch bridge over the Bendigo-Melbourne railway line; thence south to the road at the south-east corner of Mr. G. Moore's allotment; thence west to the said railway line; thence north to the starting point in Railway-terrace, Kangaroo Flat.

4. In this By-law, unless inconsistent with the context or subject-matter—

"Inspector" means any officer authorized by the Commission or Council, and includes any acting or assistant inspector.

"Proprietor" means the proprietor of any premises, and includes the owner, the occupier, or any person having the management or control thereof.

"The Commission" means the Commission of Public Health.

5. The proprietor of any premises on which there is erected a pan-closet shall cause the space under the seat of such pan-closet on such premises to be prepared for the accommodation of a pan as prescribed herein, and shall permit the same to be used for the double-pan service hereinafter provided for, and shall cause each pan-closet to be kept in a fit state for such service.

6. The proprietor shall cause every pan-closet to be supplied by the Council or otherwise with a pan for the reception of night-soil, and shall (except when being exchanged) cause such pan to be always kept in proper position under the seat of each pan-closet, and shall also provide a lid capable of being fitted tightly to such pan when being removed from the premises to the depot, so as to prevent the spilling of the contents and the emission of offensive vapours, gases, or effluvia from the contents of such pan.

7. Such pan shall be cylindrical in shape, and formed of galvanized iron of not less than 22 gauge, or other approved material, presenting on the inside and outside an impervious, hard, smooth, and durable surface, and those surfaces which come into contact with night-soil shall also be free from any projections. It shall be watertight, strongly constructed, reinforced with metal bands where necessary, and provided with properly-attached side-lifting handles. Each such pan shall have a capacity of 1½ cubic feet, and shall have an internal depth of 14 inches, a diameter of not less than 14 inches, and a suitable rim or lugs to permit an airtight lid to be affixed. The seams of the pan shall be folded, grooved, and sweated with solder.

8. The proprietor of the premises shall cause to be kept in every closet belonging thereto a supply of liquid deodorant or lime, saw-dust, or some other dry material efficient for deodorizing night-soil, and shall cause all night-soil which may be deposited in the pan in such pan-closet to be immediately on the deposit thereof covered with a quantity of deodorizing material sufficient to thoroughly and effectively deodorize the contents of such pan.

9. The proprietor shall provide every urinal with an approved apparatus for the regulated automatic discharge into such urinal of sufficient approved deodorant for the purpose of keeping such urinal constantly deodorized.

10. No person shall place, or cause or permit to be placed, any slops, water, or rubbish in any pan.

11. The proprietor of any premises whereon there is a pan-closet or urinal shall—

- (a) maintain such pan-closet and urinal in good repair, and in a cleanly condition; and
- (b) when required by an inspector effectually disinfect such pan-closet and urinal and/or the contents thereof, and effect any repairs thereto that such inspector may deem necessary.

12. At least once a week, and in any case as often as may be necessary to prevent the level of the contents of such pan approaching within 2½ inches of the brim thereof, the pan in use shall be closed with a lid and removed by the contractor or person authorized or employed in that behalf by the Council with its contents from the premises and another pan thoroughly cleansed and in good order shall be left in its place.

13. Such contractor or person removing such pans shall report to the Council at the earliest available opportunity the discovery of any pan found to be overflowing or leaking, and shall forthwith cause the place whereon the contents have been dropped or spilled to be properly cleansed.

14. The contractor or person authorized or employed by the Council for that purpose shall cause all pans to be removed in a suitable covered vehicle in such manner as not to cause nuisance, danger to health, or offensiveness and forthwith cause such vehicle to be removed to the approved depot.

15. The contractor or person authorized or employed by the Council for the removal of night-soil shall cause such night-soil to be deposited at the depot and disposed of in such manner as may be authorized by the Regulations.

16. If such night-soil be disposed of in trenches such trenches shall be not less than 9 nor more than 18 inches in depth, nor exceed 2 feet in width, and the bottom thereof shall be broken up by suitable means to facilitate percolation of liquids, and the night-soil shall be deposited therein in layers not more than 6 inches deep, and shall be left at such depth that there shall be below ground level a covering of at least 6 inches in depth of clean, thoroughly broken-up soil upon the night-soil and pan washings when covered in.

17. No trench shall be used for the disposal of night-soil where the bottom consists of rock or other impermeable material.

18. Immediately after the deposit of the night-soil and washings in any trench such trench shall be filled in with thoroughly disintegrated earth. The necessary filling shall be obtained by excavation of another trench in a position parallel to but not less than 12 inches from the aforesaid trench required to be filled in, and using the material so obtained as a covering over the night-soil so deposited. Trenches shall be excavated and used and filled in in consecutive order.

19. Seed of grass or any forage or cereal crops or other such form of vegetable life as the Council shall direct or approve shall be seasonably planted or sown on any land into which night-soil has been deposited provided that vegetables or seeds of vegetables shall not be planted therein or thereon until three months have elapsed since the last deposit of night-soil in such land.

20. Every pan used for the reception or conveyance of night-soil shall immediately on being emptied be thoroughly washed or otherwise cleansed. The resultant washings or other filth shall be disposed of in a similar manner as the night-soil.

21. Every pan after the disposal of its contents and after being cleansed in manner aforesaid and before it again leaves the depot or disposal ground shall on every such occasion be thoroughly cleansed and disinfected by—

- (a) immediately after washing and scrubbing with water subjecting the pan to a current of steam from a boiler at 60 lb. pressure to the square inch for not less than two minutes in a steam-tight box or chamber; or
- (b) thorough washing and scrubbing in water then rinsing in clean water and finally submerging for not less than five minutes in an aqueous solution containing not less than 1 per cent. of accol, cyllin, kerol, izal, hycol, or other disinfectant of equal efficiency; or
- (c) thorough washing and scrubbing in water and afterwards submerging for not less than five minutes in boiling water; or
- (d) any other method approved in writing from time to time by the Commission.

22. The internal surface of every pan before it is first used shall be properly coated with well-boiled tar, crude creosote or other approved material and such coating shall thereafter be renewed when deemed necessary by the Council, but not less than once a month.

23. The contractor or person authorized or employed by the Council for the removal of night-soil shall cause all vehicles used for the transport of pans to the depot to be properly constructed, kept clean, and disinfected daily at the depot and maintained in a proper state of repair.

24. The proprietor or any other person within the area defined by this By-law shall not bury or cause to be buried any night-soil in any yard, or garden or other place not being a place set apart for such purpose by the Council.

25. The inspector shall have full power to enter into or upon any premises, yards, or lands at any time for the purpose of inspecting closets, urinals, pans, receptacles, vehicles, plant, and all other things and places therein and thereon, and for the purposes of carrying out any provisions of this By-law.

27. If any person or the Council commit a breach of this By-law he or they shall for every breach be liable to a penalty of not more than Twenty pounds, and in the case of a continuing offence, to a further daily penalty of not more than Five pounds.

Resolution for passing this By-law agreed to by the Council of the Shire of Strathfieldsaye, on the 20th day of September, 1945, and confirmed at a meeting of the said Council held on the 25th October, 1945.

The seal of the Shire of Strathfieldsaye was hereto attached, this 25th day of October, 1945, by order of the Council, in the presence of—

(SEAL) W. L. NANKERVIS, President.
JAMES G. MILL, Councillor.
M. BRENNAN, Secretary.

Submitted to the Commission of Public Works on the 18th day of December, 1945.—J. WHITELOCK, Secretary of the Commission.

Approved by the Governor in Council, 5th March, 1946, C. W. KINSMAN, Clerk of the Executive Council. 6384

NOTICE is hereby given that the partnership heretofore subsisting between us, William Newton and Harry Segal, carrying on the business of manufacturers of leather goods, situate at 16 Adolph-street, East Richmond, under the style name of N.S. Leather Goods, has been dissolved by mutual consent as and from the 29th day of April, 1946. All debts due to and owing by the said firm will be received and paid by the said William Newton, who will carry on the said business under the same firm name as heretofore.

Dated the 7th day of May, 1946.

W. NEWTON.
HARRY SEGAL.

Witness to both signatures—J. W. SACKVILLE, LL.B., solicitor, 379 Collins-street, Melbourne. 6392

NOTICE is hereby given that the partnership heretofore subsisting between the undersigned Francis Nugent Schollick and Eric John Jenkyn, carrying on business as licensed real estate agents at 234 Whitehorse-road, Balwyn, under the name of Schollick and Jenkyn, has been dissolved by mutual consent as from the 26th day of February, 1946. All debts due to and owing by the said late partnership will be paid and received by the said Francis Nugent Schollick, who will continue to carry on the business at the same place.

Dated the 8th day of May, 1946.

F. N. SCHOLLICK.
ERIC J. JENKYN.

Fitzgerald and Fitzgerald, solicitors, 396 Little Flinders-street, Melbourne. 6419

NOTICE is hereby given that the partnership heretofore subsisting between the undersigned Julius Campbell Martin, of 47 Queen-street, Melbourne, manufacturer, and William Robertson, of 157 Beach-road, Sandringham, agent, carrying on business in partnership at 47 Queen-street, Melbourne, under the name of Secura Safe Deposit Co., has been dissolved by mutual consent, as from the 6th day of May, 1946. All debts due to and owing by the said late firm will be received and paid by the said Julius Campbell Martin, who will continue to carry on the business at the same place.

Dated at Melbourne, the 6th day of May, 1946.

J. MARTIN.

Signed by the said Julius Campbell Martin, in the presence of—
J. L. MOLOMBY, solicitor, Melbourne.

W. ROBERTSON.

Signed by the said William Robertson, in the presence of—
J. HAMBLETON, solicitor, Melbourne. 6425

NOTICE is hereby given that the partnership heretofore subsisting between Edward Theodore Gay, late of 14 Hawthorn-grove, Hawthorn, Albertine Julia Gay, of 14 Hawthorn-grove, Hawthorn, and James Reid, of 300 Little Collins-street, Melbourne, carrying on business in partnership at 300 Little Collins-street, Melbourne, under the name of Anglo-Swiss Watch Company, has been dissolved as from the 27th day of February, 1946. All debts due to and owing by the said late firm will be received and paid by the said James Reid, who will continue to carry on the said business at the same place.

Dated at Melbourne, the 9th day of May, 1946.

ALBERTINE JULIA GAY.

LILIANE STEWART.

(Executrices of the will of E. T. Gay, deceased).

ALBERTINE JULIA GAY.

JAMES REID.

Molomy and Astley, solicitors, 99 Queen-street, Melbourne. 6426

HY-POWER GAS CO. PTY. LTD. (IN VOLUNTARY LIQUIDATION).

NOTICE is hereby given, in pursuance of section 245 of the *Companies Act 1938*, that a General Meeting of the members of the above-named company will be held on Wednesday the 19th day of June, 1946, at Eleven o'clock in the morning for the purpose of having an account laid before them showing the manner in which the winding up has been conducted and the property of the company disposed of, and of hearing any explanation that may be given by the liquidator.

Dated the 10th day of May, 1946.

N. S. McLELLAN, Liquidator.

HY-POWER GAS CO. PTY. LTD. (IN VOLUNTARY LIQUIDATION).

NOTICE is hereby given, in pursuance of section 245 of the *Companies Act 1938*, that a meeting of the creditors of the above-named company will be held at 99 Queen-street, Melbourne (the company's registered office), on Wednesday, the 19th day of June, 1946, at a quarter past Eleven o'clock in the morning, for the purpose of having an account laid before them showing the manner in which the winding up has been conducted and the property of the company disposed of and of hearing any explanation that may be given by the liquidator.

Dated the 10th day of May, 1946.

6412 N. S. McLELLAN, Liquidator.

MARNOCK VALE SOAP PROPRIETARY LIMITED.

NOTICE is hereby given, in pursuance of section 236 of the *Companies Act 1938*, that a general meeting of the members of the above-named company will be held at 462 Little Collins-street, Melbourne, on Monday, the 24th day of June, 1946, at Three o'clock in the afternoon, for the purpose of having an account laid before them showing the manner in which the winding up has been conducted and the property of the company disposed of and of hearing any explanation that may be given by the liquidator.

6418 G. C. BROWNBILL, Liquidator.

CREDITORS, next of kin, and others having claims in respect of the estate of Wilfred Ridgway, late of Camperdown, in the State of Victoria, labourer, deceased, intestate (who died on the 8th day of December, 1945), are to send particulars of their claims to The Perpetual Executors and Trustees Association of Australia Limited, of 100-104 Queen-street, Melbourne, in the said State, by the 20th day of July, 1946, after which date it will distribute the assets, having regard only to the claims of which it then has notice.

Dated this 7th day of May, 1946.

BUCKLAND & NEVETT, solicitors, Camperdown. 6370

RE JAMES MURRAY, DECEASED.

PURSUANT to the *Trustee Act 1928*, notice is hereby given that all creditors, next of kin, and other persons having claims against the estate of James Murray, late of Dunrobin, in the State of Victoria, farmer, deceased (who died on the 10th day of January, 1946, and probate of whose will was granted on the 27th day of February, 1946, by the Supreme Court of the said State to Isaac Wilson, of Goroke, farmer, and Hayden Thomas Murray, of Dunrobin, farmer, the executors named therein), are hereby required to send particulars of such claims to the said executors, in care of the undersigned, at his address hereunder set out, on or before the 22nd day of July, 1946, after which date the said executors will proceed to distribute the assets of the said deceased amongst the persons entitled thereto, having regard to the claims of which they shall then have had notice.

Dated this 6th day of May, 1946.

F. J. HAMILTON ROWAN, LL.B., solicitor, Casterton.

6376

PURSUANT to the *Trustee Act 1928*, notice is hereby given that all persons having claims against the estate of William Callander, late of Wangaratta, in the State of Victoria, storekeeper, deceased (who died on the 7th day of May, 1945, and probate of whose will and codicil was granted to Arthur Callander and William Callander, both of Wangaratta aforesaid, the executors appointed by the said will), are hereby required to send particulars, in writing, of such claims to the executors, care of the undersigned, on or before the 16th day of July, 1946, after which date the said executors will proceed to distribute the assets of the said deceased among the persons entitled thereto, having regard only to the persons of whose claims they shall then have had notice. And notice is further given that the said executors will not be liable for the assets so distributed, or any part thereof, to any person of whose claim they shall not then have had notice as aforesaid.

Dated this 7th day of May, 1946.

McSWINEY & DOYLE, Wangaratta, solicitors for the executors. 6374

PURSUANT to the *Trustee Act 1928*, notice is hereby given that The Equity Trustees, Executors, and Agency Company Limited, of 472 Bourke-street, Melbourne, and Arthur Stanley Marcus Collins, of Noble-street, Newtown, Geelong, manufacturer, the executors of the will of Basil Noel Marcus Collins, late of Noble-street, Newtown, Geelong, manufacturer, deceased (who died on the 3rd day of February, 1946, and probate of whose will was granted to the said company and Arthur Stanley Marcus Collins by the Supreme Court of Victoria, in its probate jurisdiction, on the 29th day of April, 1946, intend to convey or distribute the estate of the said Basil Noel Marcus Collins, deceased, among the persons entitled thereto), and require all persons and creditors interested to send particulars, in writing, of their claims against the said estate to the said company and Arthur Stanley Marcus Collins, on or before the 17th day of July, 1946, after which date the said company and Arthur Stanley Marcus Collins may convey or distribute the said estate, or any part thereof, to or among the persons entitled thereto, having regard only to the claims, whether formal or not, of which the said company and Arthur Stanley Marcus Collins shall then have had notice. And notice is hereby further given that the said company and Arthur Stanley Marcus Collins will not be liable for the property so conveyed or distributed, or any part thereof, to any person of whose claim the said company and Arthur Stanley Marcus Collins shall not have had notice as aforesaid.

Dated this 15th day of May, 1946.

HARWOOD & PINCOTT, 51 Yarra-street, Geelong, solicitors for the said The Equity Trustees, Executors, and Agency Company Limited and Arthur Stanley Marcus Collins. 6383

THOMAS GODFREY POWER COLE, late of Buckland-avenue, Newtown, Geelong, in the State of Victoria, managing director, DECEASED (who died on the 18th day of January, 1945).

CREDITORS, next of kin, and all other persons having claims against the estate of the deceased are required by the executors of the will, Douglas Charles Cole, of Fairview-street, Newtown, Geelong, in Victoria, clerk, and Francis Pelham Just, of Malop-street, Geelong aforesaid, solicitor, to send particulars to them, care of the undersigned, on or before 10th July, 1946, after which date they will distribute the assets, having regard only to the claims of which they then have had notice.

WHYTE, JUST, & MOORE, solicitors, 27 Malop-street, Geelong. 6368

RE JOHN McLENNAN, DECEASED.

PURSUANT to the *Trustee Act 1928*, notice is hereby given that all creditors, next of kin, and other persons having claims against the estate of John McLennan, late of Seymour, in the State of Victoria, retired butcher, deceased (who died on the 4th day of February, 1946, and probate of whose will was granted by the Supreme Court of the said State on the 9th day of April, 1946, to Thomas James Neal, formerly of Seymour and Geelong, now of 7 Trafford-avenue, Elsternwick, railway employee, and William Murray Patterson, of Seymour, butcher), are hereby required to send particulars of such claims to the said executors, in care of the undersigned at his address hereunder set out, on or before the 11th day of July, 1946, after which date the said executors will proceed to distribute the assets of the said deceased amongst the persons entitled thereto, having regard only to the claims of which they shall then have had notice.

W. J. OSBORNE, LL.B., solicitor, Station-street, Seymour. 6369

CREDITORS, next of kin, and others having claims in respect of the estate of Charlotte Margaret Osborne, late of Cudgee, married woman, deceased, intestate (who died on the 10th day of June, 1945), are hereby required to send particulars of their claims to Francis Henry Osborne, of Cudgee aforesaid, grazier, the administrator of her estate, on or before the 20th day of July, 1946, after which date he will distribute the assets of the said deceased, having regard only to the claims of which he then has notice.

Dated the 8th day of May, 1946.
WILLIAM ARDLIE, solicitor to the estate. 6367

AMELIA BATTEN, formerly of 362 Albert-street, East Melbourne, in the State of Victoria, but late of 42 King's Cross-road, Darlinghurst, in the State of New South Wales, spinster, retired licensed victualler, DECEASED (who died on the 5th day of May, 1945).

CREDITORS and all others having claims against the estate of the said deceased are required by the executor of her estate, The Trustees, Executors, and Agency Company Limited, of 401 Collins-street, Melbourne, in the said State of Victoria, to send particulars of such claims to the said company, at its registered office, at the above address, on or before the 27th day of July, 1946, after which date the said executor will distribute the assets, having regard only to the claims of which it then has notice.

Dated this 8th day of May, 1946.
D. BRUCE TUNNOCK & CLARKE, of 87 Queen-street, Melbourne, solicitors for the executor. 6400

CECILIA HARRIET BRADBURY, formerly of Majestic Mansions, Fitzroy-street, St. Kilda, in the State of Victoria, but late of 11A Darling Point-road, Edgecliffe, in the State of New South Wales, widow, DECEASED (who died on the 10th day of October, 1944).

CREDITORS, next of kin, and all other persons having claims against the estate of the above-named deceased are required by The Trustees, Executors, and Agency Company Limited, of 401 Collins-street, Melbourne, to whom letters of administration, with the will annexed, of the estate of the said deceased have been granted, to send particulars, in writing, of their claims to the said company, on or before the 24th day of July, 1946, after which date the said company will distribute the assets, having regard only to the claims of which it then has had notice.

MAURICE BLACKBURN & CO., solicitors, 431 Bourke-street, Melbourne. 6401

PURSUANT to the *Trustee Act 1928*, notice is given that all persons having claims against the estate of Constance Margaret Walton, late of 35 Victoria-road, Malvern, widow, deceased (who died on the 4th day of December, 1945, and probate of whose will has been granted by the Supreme Court to John Howe, of 29 Victoria-road, Malvern, tramways employee, and Wilfred Joseph Chenhall, of Traralgon, boot store proprietor, the executors named therein), are hereby required to send particulars, in writing, of such claims to the said executors, care of the undersigned, on or before the 18th day of July, 1946, after which date the said executors will proceed to distribute the assets of the said deceased amongst the persons entitled thereto, having regard only to the persons of whose claims they shall then have had notice, and they will not be liable for the assets so distributed, or any part thereof, to any person of whose claim they shall not then have had notice as aforesaid.

Dated the 15th day of May, 1946.
GEO. J. WISE, 100 Queen-street, Melbourne, solicitor for the said executors. 6406

CREDITORS, next of kin, and others having claims against and in respect of the estate of Francis Joseph Pemberton, late of 2 Beaconsfield-parade, Northcote, Victoria, retired inspector of factories, deceased (who died on the 14th February, 1946), are to send particulars of their claims to The Trustees Executors, and Agency Company Limited, of 401 Collins-street, Melbourne, by the 17th July, 1946, after which date the executor will distribute the assets, having regard only to the claims of which it then has notice.

MOULE, HAMILTON, & DERHAM, solicitors, 394 Collins-street, Melbourne. 6408

CREDITORS, next of kin, and others having claims in respect of the estate of Lucy Apps, late of 12 Parkside-street, Elsternwick, in the State of Victoria, married woman, deceased (who died on the 9th November, 1945), are to send the particulars of their claims to The Perpetual Executors and Trustees Association of Australia Limited, of 100-104 Queen-street, Melbourne, in the said State, by the 11th July, 1946, after which date it will distribute the assets, having regard only to the claims of which it then has notice.

H. S. W. LAWSON & CO., solicitors, 314 Collins-street, Melbourne. 6409

CREDITORS, next of kin, and others having claims in respect of the estate of Albert Traugott Tepper, late of 71 High-street, Belmont, Geelong, retired farmer, deceased (who died on the 26th day of April, 1944), are requested to send the particulars of their claims to the executor, Wilhelm Oskar Tepper, in care of McInerney, Williams, and Curtain, of 90 Queen-street, Melbourne, solicitors, by the 17th day of July, 1946, after which date the executor will distribute the assets, having regard only to the claims of which he then has notice.

Dated the 10th day of May, 1946.

McINERNEY, WILLIAMS, & CURTAIN, of 90 Queen-street, Melbourne, proctors for the executor. 6427

NOTICE TO CLAIMANTS.—SAMUEL CLAPHAM, late of 19 Ivanhoe-parade, Ivanhoe, clerk (who died 22nd March, 1946).

CREDITORS, next of kin, and all other persons having claims against the estate of the deceased are required by the executrices, Amy Eliza Clapham and Eleanor Tracey Taylor, to send particulars thereof to them, in care of the under-mentioned solicitors, on or before the 16th day of July, 1946, after which date the executrices will distribute the assets, having regard only to the claims of which they then have notice.

McEACHARN & SHAW, solicitors, 352 Collins-street, Melbourne, and at Warracknabeal. 6410

ROBERT RUSSELL, late of 80 Subiaco-road, Subiaco, in the State of Western Australia, retired business manager. DECEASED.

CREDITORS, next of kin, and others having claims in respect of the estate of the above-named deceased (who died on the 1st August, 1945), are to send the particulars of their claims to the executor, care of The Trustees, Executors, and Agency Company Limited, of 401 Collins-street, Melbourne, by the 20th July, 1946, after which date it will distribute the assets, having regard only to the claims of which it then has notice.

RIGBY & FIELDING, solicitors, 60 Market-street, Melbourne. 6417

CREDITORS, next of kin, and all others having claims in respect of the estate of David Taylor Galt, the younger, late of 3 Scott-grove, East Malvern, and Royal Australian Air Force abroad, flying officer, deceased (who died on or about the 13th August, 1943), are required to send the particulars of their claims to the National Trustees, Executors, and Agency Company of Australasia Limited, whose registered office is at 95 Queen-street, Melbourne, on or before the 18th day of July, 1946, after which date it will distribute assets, having regard only to the claims of which it then has notice.

LEIGH & GAYLARD, solicitors, 243 Collins-street, Melbourne. 6420

CREDITORS, next of kin, and others having claims in respect of the estate of James Foley, late of 29A Hurtle-street, Ascot Vale, carrier, deceased (who died on 3rd December, 1945), are required by the administratrix, Minnie Foley, of 29A Hurtle-street, Ascot Vale, widow, to send particulars of their claims to the said Minnie Foley, care of the under-mentioned, by the 20th day of July, 1946, after which date the said Minnie Foley will distribute the assets, having regard only to the claims of which she then has notice.

Dated the 10th day of May, 1946.

MOLOMBY & ASTLEY, solicitors, 99 Queen-street, Melbourne. 6424

Trustee Act 1928.
NOTICE TO CLAIMANTS.

PURSUANT to the *Trustee Act 1928*, creditors, next of kin, and all other persons having claims in respect of the estate of any deceased person named below are required to send particulars thereof to the legal personal representative or representatives at the address stated below, on or before the date stated, after which date the representative or representatives will distribute the assets, having regard only to the claims of which notice has been received:—

Martin Victor Phyland, late of 39 Bridge-street, Sandringham, plumber, died 14th October, 1945.—Claims to the administrator, The Union Trustee Company of Australia Limited, of 333 Collins-street, Melbourne, by 13th July, 1946. Dated the 3rd day of May, 1946. W. Reginald Johnson, 22 Melrose-street, Sandringham, solicitor for the estate. 6387

Valentine Griffith, formerly of 16 Marshall-street, but late of 316 Upper Heidelberg-road, Ivanhoe, died 8th December, 1945.—Claims to the executors, Alice Maude Griffith, of 316 Upper Heidelberg-road, Ivanhoe, widow, and Reginald Stodart Chambers, of 135 Marshall-street, Ivanhoe, company secretary, care of Read and Read, solicitors, Temple Court, 422-8 Collins-street, Melbourne, by 18th July, 1946. 6402

Patrick Tighe, formerly of Baker-street, St. Kilda, in the State of Victoria, sergeant of police, but late of 3 McDonald-street, Northcote, in the said State, retired police inspector, deceased, died 21st November, 1946.—Claims to the executors, Leo Michael Tighe and Frances Annie Tighe, care of F. J. Corder, solicitor, 108 Queen-street, Melbourne, by 16th July, 1946. 6403

William Patrick Linehan, late of 244 Elizabeth-street, Melbourne, in the State of Victoria, bookseller, deceased, died 28th November, 1945.—Claims to the executors, Roy Gerard Linehan, Norman Charles Linehan, and Leonard Stanislaus Linehan, care of F. J. Corder, solicitor, 108 Queen-street, Melbourne, by 16th July, 1946. 6404

James Sanders, late of 106 Nicholson-street, Abbotsford, in the State of Victoria, retired horse driver, deceased, died on the 2nd February, 1946.—Claims to the executrix, Violet Frances Gwendoline Newman, care of F. J. Corder, solicitor, 108 Queen-street, Melbourne, by 16th July, 1946. 6405

James Henderson Kilgour, late of 9 Thomas-street, Hampton, chemist, died 26th February, 1946.—Claims to the executor, The Trustees, Executors, and Agency Company Limited, at its registered office, 401 Collins-street, Melbourne, by 25th July, 1946. Pearson, Eggington, and Leggatt, solicitors, 191 Queen-street, Melbourne. 6416

PURSUANT to the *Trustee Act 1928*, all persons having claims against the estate of Georgina Sweet, late of 64 Mont Albert-road, Canterbury, doctor of science, deceased (who died on the 1st January, 1946, and probate of whose will was granted by the Supreme Court of Victoria on 17th April, 1946, to Lloyd Alfred Bowley, of Barnsbury-road, Canterbury, warehouseman, and Mabel Hunt, formerly of Black Rock, but now of 1 Angle-road, Balwyn, spinster, the executors appointed thereby), are hereby required to send particulars, in writing, of such claims to the said executors, at the office of the under-mentioned solicitors, on or before the 17th day of July, 1946, after which date the said executors will proceed to distribute the assets of the said deceased amongst the persons entitled thereto, having regard only to claims of which they shall then have had notice, and will not be liable for the assets so distributed to any person of whose claim they shall not then have had notice.

Dated this 11th day of May, 1946.

W. B. & O. McCUTCHEON, 31 Queen-street, Melbourne, solicitors for the executors. 6407

ELLEN McPHERSON, formerly of corner of Ferrars-place and Albert-road, South Melbourne, but late of 9 Greville-street, Prahran, widow (who died 20th December, 1945).

CREDITORS, next of kin, and all other persons having claims against the estate of the deceased are required by the executor of the will, The Equity Trustees, Executors, and Agency Company Limited, of 472 Bourke-street, Melbourne, to send particulars to it, care of the undersigned, on or before the 18th July, 1946, after which date it will distribute the assets, having regard only to the claims of which it then has notice.

JOHN D. MUSTOW, solicitor, 89 Queen-street, Melbourne. 6421

No. 85.—4797/46.—3

CREDITORS, next of kin, and others having claims in respect of the estate of Margaret Hislop, late of "Allendale," 5 Maritana-avenue, Regent, in the State of Victoria, widow, deceased (who died on the 1st day of January, 1946), are to send particulars of their claim to The Equity Trustees, Executors, and Agency Company Limited, of 472 Bourke-street, Melbourne, in the said State, by the 18th day of July, 1946, after which date it will distribute the assets, having regard only to the claims of which it then has notice.

Dated this 9th day of May, 1946.

MAHONY, O'BRIEN, & DUGGAN, 20 Queen-street, Melbourne, solicitors for the administrator. 6422

CREDITORS, next of kin, and others having claims in respect of the estate of Mahala Mary Fogg, late of 187 George-street, East Melbourne, in the State of Victoria, widow, deceased (who died on the 27th day of October, 1945), are to send particulars of their claims to The Trustees, Executors, and Agency Company Limited, of 401 Collins-street, Melbourne, by the 22nd day of July, 1946, after which date it will distribute the assets, having regard only to the claims of which it then has notice.

Dated the 16th day of May, 1946.

MADDEN & CANDY, solicitors, 443 Little Collins-street, Melbourne. 6423

RE FREDERICK JOHN PEARCE, DECEASED.

PURSUANT to the *Trustee Act 1928*, notice is hereby given that all creditors, next of kin, and other persons having claims against the estate of Frederick John Pearce, late of Seymour, in the State of Victoria, butcher, deceased (who died on the 13th day of February, 1946, and probate of whose will was granted by the Supreme Court of the said State on the 26th day of April, 1946, to Charles Alfred Pearce, butcher, and Eleanor May Pearce, spinster, both of Seymour), are hereby required to send particulars of such claims to the said executors, in care of the undersigned, at his address hereunder set out, on or before the 17th day of July, 1946, after which date the said executors will proceed to distribute the assets of the said deceased amongst the persons entitled thereto, having regard only to the claims of which they shall then have had notice.

W. J. OSBORNE, LL.B., solicitor, Station-street, Seymour. 6388

NOTICE TO CREDITORS.

CREDITORS, next of kin, and others having claims in respect of the estate of Mary Ann Fraser, late of 29 Poplar-street, South Caulfield, in the State of Victoria, spinster, deceased (who died on the 28th day of January, 1946), are to send particulars of their claims to The National Trustees, Executors, and Agency Company of Australasia Limited, of 95 Queen-street, Melbourne, in the said State, by the 1st day of August, 1946, after which date it will distribute the assets, having regard only to the claims of which it then has notice.

KENNETH J. CLEMENTS, 29 Glenhuntly-road, Elsternwick, solicitor for the said company. 6389

CREDITORS, next of kin, and others having claims in respect of the estate of Charles Henry Lane, late of 38 Little Ryrie-street, Geelong, in the State of Victoria, plumber, deceased, intestate (who died on the 8th day of February, 1946), are to send particulars of their claims to The Ballarat Trustees, Executors, and Agency Company Limited, at its branch office, Malop-street, Geelong aforesaid, by the 27th day of July, 1946, after which date the assets will be distributed, having regard only to the claims of which it then has notice.

NEIL M. FREEMAN, solicitor, 57 Yarra-street, Geelong. 6394

PERCY HENRY HICKS, late of 26 Wattle Valley-road, Canterbury, insurance company official (who died on 12th March, 1946).

CREDITORS and all other persons having claims against the estate of the deceased are required by the executor of the will, The Perpetual Executors and Trustees Association of Australia Limited, 100-104 Queen-street, Melbourne, to send particulars to the said executor, on or before the 19th July, 1946, after which date the assets will be distributed, having regard only to the claims of which notice has then been received.

PLANTE & HENTY, 395 Collins-street, Melbourne, solicitors for the executor. 6414

CREDITORS, next of kin, and others having claims in respect of the estate of Herbert Gilman Doherty, late of 316 Flinders-street, Melbourne, in the State of Victoria, retired bank official, deceased (who died on the 12th December, 1945), are to send the particulars of their claims to The Perpetual Executors and Trustees Association of Australia Limited, of 100-104 Queen-street, Melbourne, in the said State, by the 16th July, 1946, after which date it will distribute the assets, having regard only to the claims of which it then has notice.

H. S. W. LAWSON & CO., solicitors, 314 Collins-street, Melbourne. 6399

CREDITORS, next of kin, and others having claims in respect of the estate of George Laurie Park, formerly of 29 Park-street, St. Kilda, but late of the Royal Australian Air Force on active service abroad, flight lieutenant, deceased (who died on the 2nd day of April, 1945, whilst engaged on war service), are to send the particulars of their claim to The Equity Trustees, Executors, and Agency Company Limited, the registered office of which is situate at 472 Bourke-street, Melbourne, by the 24th day of July, 1946, after which date it will distribute the assets, having regard only to the claims of which it then has notice.

JOSEPH LYNCH, LL.B., 299 Bridge-road, Richmond. 6416

CREDITORS, next of kin, and others having claims in respect of the estate of Matthew Daly, formerly of 26 Fairmount-road, Auburn, in the State of Victoria, manager, but late of 15 Bodorgan-road, Bournemouth, in the County of Hants, England, gentleman, deceased (who died on the 29th day of December, 1943), are to send particulars of their claims to The Equity Trustees, Executors, and Agency Company Limited, whose registered office is situate at 472 Bourke-street, Melbourne, by the 22nd day of July, 1946, after which date it will distribute the assets, having regard only to the claims of which it then has notice.

LEACH & THOMSON, solicitors, 472 Bourke-street, Melbourne. 6398

IMPOUNDINGS.

ARARAT.—Impounded in the Ararat Pound.

1 chestnut gelding, blazed face, white off-side hind fetlock, no visible brand
If not claimed and expenses paid, to be sold on 22nd May, 1946.

6395—4/8 R. STEPHENS, Poundkeeper.

BROADMEADOWS.—Impounded at Campbellfield.

1 bay gelding, 14.2 hands, star and streak, white legs, mane cut, shod, branded like NDB
If not claimed and expenses paid, to be sold on 30th May, 1946.

6396—4/8 A. OLIVER, Poundkeeper.

DANDENONG.—Impounded at Dandenong.

1 brown hack gelding, no visible brand
If not claimed and expenses paid, to be sold on 30th May, 1946.

6385—4/ T. ROOKES, Poundkeeper.

DAYLESFORD.—Impounded at Daylesford, by G. Dawson, Impounding Officer, from Lyman-street.

1 black draught gelding, hind feet white, running star on forehead, no visible brand
If not claimed and expenses paid, to be sold on 23rd May, 1946.

6413—5/4 D. NEIVANDT, Poundkeeper.

EPPING.—Impounded at Epping.

1 black pony gelding, no visible brand
1 bay mare, star and snip, hind coronets white, no visible brand
1 bay mare, blaze face, hind legs white, no visible brand
If not claimed and expenses paid, to be sold on 30th May, 1946.

6386—5/4 E. WORN, Poundkeeper.

LAKE BENETOOK.—Impounded at Lake Benetook Pound (Mildura).

1 brown and white draught mare, 2 white hind feet, blazed face, like JB near shoulder
If not claimed and expenses paid, to be sold on 30th May, 1946.

6429—5/4 S. C. JESSOP, Poundkeeper.

LARA.—Impounded at Lara, by Road Ranger Buckingham.

1 black Shetland pony, no visible brand
1 light-brown pony, silver mane and tail, no visible brand
Impounded off private property.
1 Jersey cow, tar brand across loins
If not claimed and expenses paid, to be sold on 1st June, 1946.

6382—6/ STEPHEN GROVES, Poundkeeper.

MELBOURNE.—Impounded at Arden-street, by A. Thomas.

1 black pony mare, star, branded HW; canvas rug on
1 chestnut gelding, star, near hind fetlock white, off hind pastern white, no visible brand
If not claimed and expenses paid, to be sold on 30th May, 1946.

6366—5/4 D. CROWE, Poundkeeper.

NEERIM.—Impounded at Neerim.

1 bay draught horse, blaze face, three white feet, no visible brand
1 bay draught horse, blaze face, near hind foot white; no visible brand
1 bay draught horse, blaze face, white hind feet, no visible brand
1 chestnut bay draught horse, full white face, three white legs, no visible brand
If not claimed and expenses paid, to be sold on 25th May, 1946.

6373—8/8 J. H. CALLOW, Poundkeeper.

SALE.—Impounded from the streets of Sale.

1 red Jersey heifer, no visible brand
1 red and white heifer, no visible brand
1 brindle heifer, no visible brand
1 brown draught gelding, blaze face, two hind and off front feet white, near front foot black and white, like 5 near shoulder
If not claimed and expenses paid, to be sold on 28th May, 1946.

6379—6/8 G. CLARK, Poundkeeper.

TEMPLESTOWE.—Impounded at Templestowe.

1 bay hack mare, two white hind feet, no visible brand
1 black pony horse, white star on forehead, no visible brand
If not claimed and expenses paid, to be sold on 29th May, 1946.

6380—4/8 W. AFFLECK, Poundkeeper.

TERANG.—Impounded at Terang, from Boorcan-lane, 9th May, 1946.

1 black Jersey heifer, Heytesbery East badge No. 439, two notches top both ears, no visible brand
1 red heifer, Heytesbery East badge No. 923, notch and slit back off ear, notch near ear, no visible brand
1 black Jersey heifer, Heytesbery West badge No. 192, notch top and slit back near ear, notch top off ear, no visible brand; bell on neck
If not claimed and expenses paid, to be sold on 3rd June, 1946.

6393—8/8 DORIS M. KIDD, Poundkeeper.

TRARALGON.—Impounded at Traralgon, on 6th May, 1946, by Mr. Jos. Waite, from his property at Glengarry West.

1 Hereford bullock, small swallow end off ear, slit end near ear, indescribable brand off rump
If not claimed and expenses paid, to be sold on 3rd June, 1946.

6390—5/4 ADAM WILSON, Poundkeeper.

WICKLIFFE.—Impounded at Wickliffe, from Lake Bolac.

1 red brindle and white bull calf, tip out of near ear, no visible brand
If not claimed and expenses paid, to be sold on 30th May, 1946.

6372—4/8 C. W. R. GRIMMER, Poundkeeper.

WOOLAMAI—Impounded in Woolamai Pound.

1 Red Poll bull, earmarked in off ear, HI on off rump,
like L on back
If not claimed and expenses paid, to be sold on 29th May,
1946.

6381—4/8
JOHN H FOOTITT,
Poundkeeper.

STATE ACTS, 1944.

COPIES of the following Acts of Parliament of Victoria
may be obtained at the Government Printing Office, or
from any bookseller, at the price set opposite to each:—

No.	Price. s. d.
4999. Consolidated Revenue	0 6
5000. Local Government (Polling Booths)	0 6
5001. Police Offences (Unlawful Games)	0 6
5002. Hospitals and Charities	0 6
5003. Water—(Loddon)	0 6
5004. Justices	0 6
5005. Coal Mines Regulation (Amendment)	0 6
5006. Consolidated Revenue	0 6
5007. Melbourne and Metropolitan Board of Works (Contributions)	0 6
5008. Marketing of Primary Products	0 6
5009. National Security (Emergency Powers) Continua- tion	0 6
5010. Outer Circle Railway (Partial Dismantling)	0 6
5011. Mines (Minerals)	0 6
5012. Goods (Textile Products)	0 6
5013. Masseurs	0 6
5014. Electoral (War Service Deaths)	0 6
5015. Cremorne Bridge	0 6
5016. Melbourne Harbor Trust	0 6
5017. Water	0 9
5018. Consolidated Revenue	0 6
5019. Mildura Irrigation and Water Trusts	0 6
5020. Farm Water Supplies Advances	0 6
5021. Sewerage Districts	0 6
5022. Trustee Companies	0 6
5023. Mildura Irrigation and Water Trusts (Super- annuation)	0 6
5024. Consolidated Revenue	0 6
5025. Cemeteries	0 3
5026. Border Railways	0 6
5027. Local Government (Shire of Blackburn and Mitcham)	0 6
5028. Electoral Districts	0 6
5029. Land	0 6
5030. Land Tax	0 6
5031. Administration and Probate Duties	0 6
5032. Stock Foods (Amendment)	0 6
5033. Stamps (Increased Duty Continuance)	0 6
5034. Maribyrnong and Ashburton Lands Exchange	0 6
5035. Financial Emergency (Grants and Funds)	0 6
5036. Farmers Advances	0 6
5037. Land Settlement (Acquisition) Amendment	0 6
5038. Railways	0 6
5039. Farmers Protection (Amendment)	0 6
5040. Country Fire Authority	1 9
5041. Country Roads Board Fund	0 6
5042. Railway Loan and Application	0 6
5043. Town and Country Planning	1 0
5044. Agricultural Colleges	0 0
5045. Heatherton Sanatorium	0 6
5046. Health (Infectious Diseases Hospitals)	0 6
5047. Surplus Revenue	0 6
5048. Water Supply Loans Application	0 9
5049. State Forests Loan and Application	0 6
5050. Public Works Loan and Application	0 6
5051. Commonwealth and States Financial Agreement	1 3
5052. The Constitution Act Amendment	0 6
5053. Public Library National Gallery and Museums	0 9
5054. Drought Relief	0 6
5055. Co-operative Housing Societies	1 6

STATE ACTS, 1944—continued.

No.	Price. s. d.
5056. Local Government	1 0
5057. Melbourne and Metropolitan Board of Works	0 9
5058. Appropriation of Revenue	3 9

J. J. GOURLEY,
Government Printer.

STATE ACTS, 1945.

COPIES of the following Acts of Parliament of Victoria
may be obtained at the Government Printing Office, or
from any bookseller, at the price set opposite to each:—

No.	Price. s. d.
5059. Mildura Irrigation and Water Trusts (Borrowing)	0 6
5060. Supreme Court (Judges)	0 6
5061. Oakleigh (Regent-street) Land	0 6
5062. Swine	0 6
5063. Drought Relief (Amendment)	0 6
5064. Unclaimed Moneys	0 6
5065. Consolidated Revenue	0 6
5066. Consolidated Revenue	0 6
5067. Agent-General's	0 6
5068. Land Surveyors (Amendment)	0 6
5069. State Development	0 6
5070. Melbourne and Metropolitan Board of Works (Borrowing Powers)	0 6
5071. Education	0 6
5072. Water	0 6
5073. National Security (Repeal)	0 6
5074. Moorabbin (Unimproved Rating Poll)	0 6
5075. Licensing (Poll)	0 6
5076. Lilydale Waterworks Trust Abolition	0 6
5077. East Melbourne Land	0 6
5078. Health (Wines)	0 6
5079. Local Government (Emergency Housing Accom- modation)	0 6
5080. Law Institute	0 6
5081. Bendigo Land	0 6
5082. Consolidated Revenue	0 6
5083. Consolidated Revenue	0 6
5084. Consolidated Revenue	0 6
5085. Factories and Shops (Bread Holidays)	0 6
5086. Administration and Probate Duties	0 6
5087. Land Tax	0 6
5088. Stamps (Increased Duty Continuance)	0 6
5089. Licensing Fund	0 6
5090. Employers and Employés	0 6
5091. Farmers Advances	0 6
5092. University (Veterinary Research)	0 6
5093. Surplus Revenue	0 6
5094. State Forests Loan and Application	0 6
5095. Mines (Amendment)	0 6
5096. Farmers Protection (Amendment)	0 6
5097. Railway Loan Application	0 6
5098. Public Works Loan and Application	0 6
5099. Water Supply Loans Application	0 9
5100. Public Account Advances (Amendment)	0 6
5101. Hospital Benefits	0 6
5102. Totalizator (Amendment)	0 6
5103. Financial Emergency (Municipal Endowment)	0 6
5104. Country Roads Board Fund (Amendment)	0 6
5105. Coal Mines Regulation (Amendment)	0 6
5106. Melbourne and Metropolitan Tramways (Chair- man)	0 6
5107. Soldier Settlement	1 3

J. J. GOURLEY,
Government Printer.

AGENTS FOR THE "VICTORIA GOVERNMENT GAZETTE."

THE following have been appointed agents to receive Advertisements and subscriptions for the *Victoria Government Gazette*—

- ARMSTRONG'S AGENCY, 143 Queen-street, Melbourne.
- MESSRS. ARNALL & JACKSON, 115 Barkly-street, West Brunswick.
- MESSRS. GORDON & GOTCH, News Agents, 511 Little Collins-street, Melbourne; and corner Barrack and Clarence streets, Sydney.
- MESSRS. HARSTON, PARTRIDGE, & CO., 455 Little Collins-street, Melbourne.
- N. V. NIXON & CO., 20 Queen-street, Melbourne.
- THE PATON ADVERTISING SERVICE PTY. LTD.
- ROBERTSON & MULLENS LTD., Elizabeth-street, Melbourne.
- MESSRS. W. H. WADDELL and A. S. RICHARDSON, trading as The Mercantile Exchange, 380 Collins-street, Melbourne.
- MR. A. J. DIGBY, News Agent, Bairnsdale.
- MR. M. R. BADE, Tobacconist, Sturt-street, Ballarat.
- TRIGG'S NEWS AGENCY, Hargreaves-street, Bendigo.
- MR. G. H. K. PAYNE, 4 View Point, Bendigo.
- MR. G. F. LATIMER, News Agent, Casterton.
- MESSRS. HENRY FRANKS & CO., Booksellers and Stationers, Market-square, Geelong.
- MESSRS. SMITH & DUNNON, Hamilton.
- ARMSTRONG BROS., Kyneton.
- MR. WM. DAVIS, Mildura.
- PIKE'S AUTHORIZED NEWS AGENCY, Sale.
- MR. C. T. RUST, News Agent, Wangaratta.
- MR. F. T. McCORMICK, Nunn-street, Benalla.
- F. R. & E. M. COOKE, Bridge-street, Benalla.

A copy of the *Gazette* filed at each place for public reference.

THE "VICTORIA GOVERNMENT GAZETTE."

SUBSCRIPTIONS.—The subscription, including Postage, is £1 12s. 6d. per annum, 16s. 3d. half-yearly, or 8s. 2d. per quarter, payable in advance.

Subscriptions are required to commence and terminate with a month.

A lesser period than three months cannot be subscribed for. Subscribers do not receive the Acts of Parliament with the *GAZETTE*.

ADVERTISEMENTS are charged at the rate of EIGHT PENCE per line single column, and ONE SHILLING and FOUR PENCE per line double column.

The title (*£5 Reward, Dissolution of Partnership, &c.*) forms one or more lines as a heading.

On an average, ten words make a line.

Every signature must likewise be counted as a line.

The final words of a paragraph, though only portion of a line, must be counted as one line.

SIGNATURES (in particular) and proper names must be written very plainly in the text; ONE SIDE ONLY of each slip of paper should be WRITTEN UPON.

ALL COMMUNICATIONS should be addressed to "The Government Printer, Melbourne."

ALL DOCUMENTS illegibly written will be returned unpublished, and, where brands occur unprovided for by the ordinary letters of the alphabet, a worded explanatory description must be furnished.

THE VICTORIA GOVERNMENT GAZETTE is published on WEDNESDAY EVENING in each week, and Notices for insertion will be received by the Government Printer at or before Two p.m., at ordinary rates, and late advertisements between Two p.m. and FIVE p.m. at double rates on the day preceding the day of publication.

Single copies of the VICTORIA GOVERNMENT GAZETTE are Six pence, posted Eight pence, each.

No GAZETTES prior to January, 1936, in stock.

***ALL PAYMENTS ARE REQUIRED IN ADVANCE.—Remittances should be made by postal note, money order, or draft in favour of the Government Printer. Advertisements unaccompanied by a remittance sufficient to cover the cost of insertion will be returned unpublished.

CONTENTS

	PAGE
Acts of Parliament	1493
Acts of Parliament on sale at the Government Printing Office	1527
Appointments	1494
Auction Sales Act	1506
Business Agents Act 1930—Supplementary List	1508
Contracts	1511
Country Roads Board	1508-1511
Estates of Deceased Persons	1510
Government Notices	1500
Impoundings	1526
Lands	1516
Licences to Occupy Unused Roads	1503
Licences to Occupy Water Frontages	1505
Ministers of Religion Registered to Celebrate Marriages	1506
Orders in Council	1511
Private Advertisements	1520
Proclamations	1493
Public Service Notices	1497
Real Estate Agents Acts—Supplementary List	1507
Registration of Fuel Merchants	1509
Resignations	1496
State Rivers and Water Supply Commission	1502
Stay Orders	1504
Tenders	1519
Transport Regulation Acts—Public Hearings	1501
Waterworks Trusts	1502