



VICTORIA
GOVERNMENT GAZETTE.

Published by Authority.

[Registered at the General Post Office, Melbourne, for transmission by post as a newspaper.]

No. 518]

WEDNESDAY, JUNE 7.

[1950

Land Act 1928.

AREAS OF LANDS COMPRISED IN CERTAIN CLASSES DIMINISHED OR INCREASED.

PROCLAMATION

By His Excellency the Governor of the State of Victoria and its Dependencies in the Commonwealth of Australia, &c., &c., &c.

WHEREAS by the *Land Act 1928* it is amongst other things enacted that the Governor in Council may, by Proclamation to be published in the *Government Gazette*, at any time diminish or increase the area of land comprised in any of the classes mentioned in Part I., Division 1, section 5, of the said *Land Act 1928*, but that the area of lands which may be sold by auction (Class 6) shall not be increased except as in certain cases in the said Act provided: Now therefore I, the Governor of the State of Victoria, in the Commonwealth of Australia, by and with the advice of the Executive Council of the said State, and in accordance with the provisions of sections 94 and 117 of the *Land Act 1928* aforesaid, do hereby diminish or increase (as the case may be) the areas of Crown lands comprised in Classes 3 and 7 respectively of the classes mentioned in section 5 of the *Land Act 1928* aforesaid to the extent set forth in the subjoined Schedule (that is to say):—

Schedule referred to.

CLASSES DIMINISHED OR INCREASED.

County.	Parish.	Allotment.	Section.	Area.	Diminished.	Increased.	Description.
					Class.	Class.	
				A. R. P.			
Gladstone ..	Tarnagulla ..	12j	C	92 0 0	7	3	In north-west of parish. (W.63061)
Delatite ..	Winton ..	115c	..	16 0 4	3	..	In south-east of parish. (H.020468)
Bogong ..	Baranduda ..	3A	27	11 3 28	3	..	In west of parish. (H.020594)

Given under my Hand and the Seal of the State of Victoria aforesaid, at Melbourne, this 30th day of May, in the year of our Lord One thousand nine hundred and fifty, and in the fourteenth year of the reign of His Majesty King George VI.

(L.S.)

DALLAS BROOKS.

By His Excellency's Command,

R. C. GUTHRIE,
Commissioner of Crown Lands and Survey.

GOD SAVE THE KING!

Weights and Measures Act 1928.
ADDITION TO A WEIGHTS AND MEASURES UNION.

PROCLAMATION

By His Excellency the Governor of the State of Victoria and its Dependencies in the Commonwealth of Australia, &c., &c., &c.

WHEREAS by a Proclamation made by the Governor in Council on the third day of December, 1946, the Shires of Benalla, Tungamah, and Violet Town were proclaimed to be a Union for the purposes of the *Weights and Measures Act 1928*; And whereas the councils of all the aforesaid municipalities and the Council of the Borough of Benalla have requested that the Borough of Benalla be added to such Union: Now therefore I, the Governor of the State of Victoria, by and with the advice of the Executive Council thereof and in pursuance of the provisions of the *Weights and Measures Act 1928*, do by this my Proclamation declare that, as from the seventh day of June, 1950, the Borough of Benalla shall be added to and form part of such Union, and do fix as follows the proportion in which the expenses devolving upon such Union under the *Weights and Measures Act 1928* shall be borne by the several municipalities as from the said seventh day of June, 1950, viz.:

Borough of Benalla—37.3 per centum;
Shire of Benalla—23.6 per centum;
Shire of Tungamah—28.8 per centum;
Shire of Violet Town—10.3 per centum.

And, further, at the request of the councils of the Borough of Benalla and the Shires of Benalla, Tungamah, and Violet Town, I do fix two as the number of managers for such Union that each such council shall elect.

And, lastly, I do hereby declare that the title of the Union of the Borough of Benalla, and the Shires of Benalla, Tungamah, and Violet Town shall be the "Benalla and District Weights and Measures Union".

Given under my Hand and the Seal of the State of Victoria aforesaid, at Melbourne, this sixth day of June, in the year of our Lord One thousand nine hundred and fifty, and in the fourteenth year of the reign of His Majesty King George VI.

(L.S.) DALLAS BROOKS.

By His Excellency's Command,
W. WATT LEGGATT,
Chief Secretary.
GOD SAVE THE KING!

KING'S BIRTHDAY HOLIDAY.

IT is hereby notified that on—

MONDAY, THE 12TH JUNE, 1950,

the Public Offices throughout Victoria will be closed, that day having been proclaimed by the Governor in Council, under the powers conferred by the *Public Service Act 1946* (see the *Victoria Government Gazette* of the 30th November, 1949), to be observed as a holiday in the Public Offices.

W. WATT LEGGATT,
Chief Secretary.

APPOINTMENTS.

HIS Excellency the Governor of the State of Victoria, by and with the advice of the Executive Council thereof, has, by Orders made on the 30th day of May, 1950, been pleased to make the under-mentioned appointments, viz.:

DEPARTMENT OF CHIEF SECRETARY.

Probation Officer.

JOSEPH EDWARD THOMAS CATRON,
pursuant to the provisions of section 536 of the *Crimes Act 1928*, to be a Probation Officer for the purposes of the said Act in Melbourne and suburbs.

DEPARTMENT OF EDUCATION.

Member of the Council of Adult Education.

JOSEPH TERENCE BURKE,
pursuant to the provisions of the *Adult Education Act 1946*, to be appointed a member of the Council of Adult Education for the term commencing on the 1st day of May, 1950, and ending on the 30th day of April, 1953.

DEPARTMENT OF LAW.

Clerks of Children's Courts, &c.

DARYL YEAMAN
to be also Clerk of the Children's Court at Eltham, during the absence on annual leave of F. X. Clancy.

EDWARD LEO MCCONVILL
to be also Clerk of the Children's Court at Yarram, Foster, and Toora, in the place of W. J. S. Maloney, relieved.

WILLIAM LEO BELL
to be also Clerk of the Children's Court at Ouyen, Murrayville, and Woomelang, during the absence on annual leave of J. E. Kean.

Commissioners for Taking Declarations, &c.

LEONARD KEITH BIBBY,
EDWARD JOHN CUTTS,
RONALD MERVIN KIMBERLEY,
EDWARD MURDOCH MCLEOD,
CYRIL RAMSDEN PRESTON, and

LAWRENCE FREDERICK WILLIAMS,
Officers of the Australian Mutual Provident Society,
Melbourne,

to be Commissioners for taking Declarations and Affidavits, pursuant to the provisions of Division 8 of Part IV. of the *Evidence Act 1928*, to resign upon ceasing to be officers of the Australian Mutual Provident Society;
HAROLD JAMES BURN, Works Accountant, Morwell,
State Electricity Commission of Victoria, Melbourne,

to be a Commissioner for taking Declarations and Affidavits, pursuant to the provisions of Division 8 of Part IV. of the *Evidence Act 1928*, to refrain from charging fees and to resign upon ceasing to occupy his present position; and

RONALD JAMES WALSH, 25 High-street, Maryborough, and

RONALD GEORGE HYLAND, c/o Commercial Union Assurance Co. Ltd., 409-411 Collins-street, Melbourne,

to be Commissioners for taking Declarations and Affidavits, pursuant to the provisions of Division 8 of Part IV. of the *Evidence Act 1928*, to resign upon removing from the neighbourhood of the addresses stated.

Deputy Clerk of the Peace, &c.

JAMES FRANCIS RYAN
to be also Deputy Clerk of the Peace, Registrar of the County Court and Clerk of the Children's Court at Kerang, and Clerk of the Children's Court at Cohuna, Koondrook, Quambatook, Boort, and Pyramid Hill, *vice* A. T. Ryall, resigned, and as Deputy Clerk of the Peace and Registrar of the County Court at Kerang, to be appointed by virtue of section 92 of the *Juries Act 1928* to do and perform with respect to the Courts at that place, in the place and stead of the Sheriff, all such acts as the Sheriff is by the said Act authorized or required to do or perform, *vice* A. T. Ryall, resigned.

Investigation Officer, Prices Control Branch.

NORMAN HERBERT WERTHEIM
to be an Officer of the Prices Control Branch of the Department of Law, pursuant to the Prices Regulation Acts, to wit, Investigation Officer, Grade 2, for the period ending on the 30th September, 1950, to take effect on the 15th May, 1950.

Magistrates.

WILLSMORE GEORGE TWINING, 2 Allfrey-street, East Brighton,

JAMES PATRICK RYAN, No. 6 The Ridge, Canterbury, and

EILEEN MARY LATTIMORE, 134 Greville-street, Prahran, to Keep the Peace in the Central Bailiwick of the State of Victoria;

GEORGE EDWARD SHILL, Campbells Creek, to Keep the Peace in the Midland Bailiwick of the State of Victoria; and

WILLIAM POTTER FIRMIN, Morwell, to Keep the Peace in the Eastern Bailiwick of the State of Victoria.

Sworn Valuator.

JOHN CLARKSON DONOHUE, 3 Currajong-avenue, Camberwell,

to be a Sworn Valuator, pursuant to the provisions of section 14 of the *Transfer of Land Act 1928* (No. 3791), for the Counties of Evelyn, Buln Buln, Tanjil, Dargo, Tambo, Benambra, Croajingolong, and Mornington.

DEPARTMENT OF TREASURER.

Receivers of Revenue (Acting).

JAMES FRANCIS RYAN
to act temporarily as Receiver of Revenue, Kerang, *vice*
A. T. Ryall; and
WILLIAM LEO BELL
to act temporarily as Receiver of Revenue, Ouyen, during
the absence of J. E. Kean, on leave.

Receiver of Revenue.

EDWARD LEO MCCONVILL
to be Receiver of Revenue, Yarram, *vice* W. J. S. Maloney.

Collector of Imposts (Acting).

KENNETH MELTON BAIRD
to act temporarily as Collector of Imposts, Department
of Mental Hygiene, during the absence of D. Gallivan,
on leave.

A. MAHLSTEDT,
Clerk of the Executive Council.

At the Executive Council Chamber,
Melbourne, 30th May, 1950.

RESIGNATION.

HIS Excellency the Governor of the State of Victoria, by
and with the advice of the Executive Council thereof,
has, by Order made on the 30th day of May, 1950,
accepted the resignation of the person named hereunder
of the office mentioned, *viz.*:—

DEPARTMENT OF CHIEF SECRETARY.

DAVID GEORGE JACKSON, as Registrar of Births and
Deaths at Lexton.

A. MAHLSTEDT,
Clerk of the Executive Council.

At the Executive Council Chamber,
Melbourne, 30th May, 1950.

Railways Act 1928.

BOARD OF DISCIPLINE.

APPOINTMENT OF RETURNING OFFICER AND DEPUTY
RETURNING OFFICERS.

PURSUANT to the provisions of sub-paragraph (ii) of
paragraph (c), sub-section 13 of section 161 of the
Railways Act 1928, His Excellency the Governor of the
State of Victoria, by and with the advice of the Executive
Council thereof, has, by an Order made on the sixth day
of June, 1950, been pleased to make the following appoint-
ments, *viz.*:—

THOMAS SUTTON LINGFORD to be the Returning Officer
to conduct the elections for the nomination by
the officers and employees in the railway service
of a member to be the representative on the Board
of Discipline, constituted as provided in the afore-
said Act, of the said officers and employees; and
JOSEPH CHARLES MCLEAN and HAROLD WILLIAM PITSON
to be Deputy Returning Officers to act in the
place of the said Thomas Sutton Lingford, if
required, and to assist him with the conduct of
the said elections.

A. MAHLSTEDT,
Clerk of the Executive Council.

At the Executive Council Chamber,
Melbourne, 6th June, 1950.

To LILLIAN MAY MORVELL, formerly of Red Cliffs, in
the State of Victoria, but whose present whereabouts
are unknown, and to all others whom it may concern.

THE Public Trustee, of 412 Collins-street, Melbourne,
hereby gives notice that on the 17th day of May,
1950, a Judge of the Supreme Court of Victoria made an
order, pursuant to the provisions of section 6 of the
Public Trustee Act 1948, authorizing the Public Trustee
to exercise certain powers with regard to certain insurance
policies belonging to the above-named Lillian May Morvell
(such insurance policies having been issued by the Aus-
tralasian Temperance and General Mutual Life Assurance
Society Limited, and being respectively numbered 5646660,
5646661, 5747827, and 411034), such powers including
power to receive from the said Australasian Temperance
and General Mutual Life Assurance Society Limited all
moneys payable under or in respect of the said policies and
power to surrender the said policy numbered 411034, and
that it is the intention of the Public Trustee to exercise
the powers conferred upon him by the said order.

Dated the 18th day of May, 1950.

C. J. GARDNER,
Public Trustee.

4 GEORGE VI. No. 4755, SECTION 6.

I HEREBY give notice that on the 24th May, 1950, I
filed elections to administer the following deceased
persons' estates, in accordance with section 6 of the
Public Trustee Act 1940:—

CHALKER, ANNIE JOSEPHINE, late of 1 St. Leonards-road,
Ascot Vale, hawker, died 27th March, 1950, intestate.

GORDON, DOROTHY, late of 9 Kyarra-street, Hampton,
pensioner, died 13th February, 1950, intestate.

*HELLSTEN, LILLIAN MAY, late of Maryborough, shop
assistant, died 22nd February, 1950.

JONES, MARY ELLEN, late of Emily-street, Seymour,
widow, died 20th July, 1949, intestate.

KING, EUGENE THOMAS, also known as Hugh Thomas
King, late of Albury, New South Wales, cook, died 3rd
December, 1935, intestate.

KING, JOHN TERENCE, late of Darley, labourer, died 15th
March, 1933, intestate.

LAIHONEN, KOSTI JUHO WALDEMAR, formerly of 13A
Argyle-street, Moonee Ponds, but late of New York Hotel,
Bourke-street, Melbourne, linesman, died 9th March, 1950,
intestate.

MCLEISH, DUNCAN, late of Benevolent Home, Bendigo,
pensioner, died 22nd December, 1949, intestate.

WATTS, LYDIA MARTHA, late of 135 Melrose-street, North
Melbourne, home duties, died 11th March, 1950, intestate.

*YORATH, HELEN BELL, late of Rheola, home duties, died
22nd August, 1949.

* According to the provisions of the will.

C. J. GARDNER,
Public Trustee.

412 Collins-street, Melbourne, C.1, 31st May, 1950.

NOTICE.

ADMINISTRATION of the estate of each of the under-
mentioned deceased persons has been granted to me,
and creditors, next of kin, and all others having claims
against the estate of any of the persons so mentioned are
required to send particulars of their claims to the Public
Trustee, No. 412 Collins-street, Melbourne, on or before
the 9th August, 1950, or they will be excluded from the
distribution of the estate when the assets are being
distributed:—

CHALKER, ANNIE JOSEPHINE, late of 1 St. Leonards-road,
Ascot Vale, hawker, died 27th March, 1950, intestate.

CURTIS, ROBERT, late of 1 Lonie-street, North Melbourne,
retired Board of Works inspector, died 22nd March, 1950,
intestate.

GORDON, DOROTHY, late of 9 Kyarra-street, Hampton,
pensioner, died 13th February, 1950, intestate.

*HARRIS, LOUISA ANNIE, late of 22 Hamilton-street, West
Brunswick, pensioner, died 31st January, 1950.

†HELLSTEN, LILLIAN MAY, late of Maryborough, shop
assistant, died 22nd February, 1950.

JONES, MARY ELLEN, late of Emily-street, Seymour,
widow, died 20th July, 1949, intestate.

KING, EUGENE THOMAS, also known as Hugh Thomas
King, late of Albury, New South Wales, cook, died 3rd
December, 1935, intestate.

KING, JOHN TERENCE, late of Darley, labourer, died 15th
March, 1933, intestate.

LAIHONEN, KOSTI JUHO WALDEMAR, formerly of 13A
Argyle-street, Moonee Ponds, but late of New York Hotel,
Bourke-street, Melbourne, linesman, died 9th March, 1950,
intestate.

MCLEISH, DUNCAN, late of Benevolent Home, Bendigo,
pensioner, died 22nd December, 1949, intestate.

*MACPHAIL, DONALD JAMES, late of 52 Shoobra-road,
Elsternwick, civil servant, died 14th March, 1950.

RUSSELL, ALFRED ERNEST, late of 272 Gore-street, Fitzroy,
marine dealer, died 30th January, 1950, intestate.

*TAYLOR, DORA BEATRICE, late of 39 Pultney-street,
Dandenong, teacher, died 6th December, 1949.

WATTS, LYDIA MARTHA, late of 135 Melrose-street, North
Melbourne, home duties, died 11th March, 1950, intestate.

†YORATH, HELEN BELL, late of Rheola, home duties, died
22nd August, 1949.

* With the will annexed.

† According to the provisions of the will.

C. J. GARDNER,
Public Trustee.

Melbourne, 31st May, 1950.

Transport Regulation Acts.

TRANSPORT REGULATION BOARD.

NOTICES OF PUBLIC HEARINGS.

NOTICE is hereby given that the applications made by the persons named below for licences to operate the commercial passenger vehicles on the route or routes, or in the manner set out opposite their names, will be heard at a time and place to be communicated to the parties:—

Name of Applicant; Nature of Application.

ATTRIDGE, A. C., Gavan-street, Bright; 1 commercial passenger vehicle, with seating capacity for five persons, to be purchased, to operate as follows:—

(a) For the carriage of passengers, mails, and parcels between Bright and Harrierville, via Freeburgh and Smoko, as follows:—

	Mon. p.m.	Tues. p.m.	Wed. Fri. a.m.	Thur. a.m.	Sat.
Dep. Bright	5.35	2.30	8.45	9.15	12.00 noon
Arr. Harrierville	6.35	3.30	9.45	10.15	1.00 p.m.
Dep. Harrierville	6.40	3.35	9.50	10.20	1.05 p.m.
Arr. Bright	7.40	4.35	10.50	11.20	2.05 p.m.

(b) At separate and distinct fares within a radius of 5 miles of Bright Post Office.

(c) Under private hire conditions within a radius of 50 miles of Bright Post Office.

BASSETT, R. J., 26 Forest-street, Castlemaine; 1 commercial passenger vehicle, with seating capacity for five persons, to be purchased, to operate as follows:—

(a) At separate and distinct fares within a radius of 5 miles of Castlemaine Post Office, (b) under private hire conditions within a radius of 50 miles of Castlemaine Post Office.

BATTEN, E. W., Prince's Highway, Moe; 2 commercial passenger vehicles, with seating capacity for 23 and 27 persons respectively, to operate as additional vehicles, under the same terms and conditions as contained in applicant's existing stage omnibus licences.

BATTEN, E. W., Box 50, Moe; application for variation of all "A" licences, to include the ability to operate a service between Moe and Morwell, via the Prince's Highway East, subject to the condition that passengers shall not be picked up and set down on that portion of the route between Herne's Oak and Morwell, as follows:—

Mondays to Sundays inclusive of each week.

Depart Moe 6.55 a.m., 7.30 a.m., 8.05 a.m., 9.30 a.m., 1.30 p.m., 3.30 p.m., 4.30 p.m., 11.30 p.m.

Depart Morwell 7.15 a.m., 8.05 a.m., 8.30 a.m., 11.30 a.m., 3 p.m., 4.05 p.m., 4.20 p.m., 5.05 p.m., 12.05 a.m.

FLOOD, T. R., Arnold-street, Bendigo; application for variation of licence numbered T.A.3042, to include the ability to operate under charter conditions within a radius of 50 miles of Raywood Post Office.

GEE, R. D., Oxford-road, Kilsyth; 1 commercial passenger vehicle, with seating capacity for five persons, to be purchased, to operate as follows:—(a) At separate and distinct fares within a radius of 5 miles of the Kilsyth Post Office, with the added right to stand at the Croydon Railway Station, (b) under private hire conditions within a radius of 50 miles of Kilsyth Post Office.

HARRINGTON, M. L. & E. (trading as Harrington's Bus Service), Forrest-road, The Basin; 1 commercial passenger vehicle, with seating capacity for 27 persons, to be purchased, to operate as an additional vehicle, under the same terms and conditions as contained in applicants' existing stage omnibus licences.

HUMPHREY, W. I., High-street, Berwick; 1 commercial passenger vehicle, with seating capacity for four persons, to operate as follows:—(a) At separate and distinct fares within a radius of 5 miles of Berwick Post Office, (b) under private hire conditions within a radius of 50 miles of Berwick Post Office.

IKIN, G. H. (trading as Ikin's Hire Car Service), 8 Argyle-street, Traralgon; 1 commercial passenger vehicle, with seating capacity for five persons, to be purchased, to operate as follows:—(a) At separate and distinct fares within a radius of 5 miles of Traralgon Post Office, (b) under private hire conditions throughout the State of Victoria.

MANSFIELD-YEA PASSENGER SERVICE PTY. LTD., 54-56 Nicholson-street, Healesville; application for variation of all "A" licences, to delete present restrictions relating to the carriage of passengers on the Melbourne-Mansfield road passenger service, and instead to include the following:—"On any journey from Melbourne passengers may be taken up anywhere *en route*, but shall not be set down nearer to Melbourne than a point $\frac{1}{2}$ mile north of the junction of the Healesville and Warburton roads near Lilydale, and on any journey to Melbourne passengers may be set down anywhere *en route*, but shall not be taken up at any point nearer to Melbourne than the said point $\frac{1}{2}$ mile north of the junction of the Healesville and Warburton roads near Lilydale."

MAXFIELD, K. E., 12 Albert-street, Mornington; 1 commercial passenger vehicle, with seating capacity for five persons, to operate as follows:—(a) At separate and distinct fares within a radius of 5 miles of Mornington Post Office, (b) under private hire conditions within a radius of 50 miles of Mornington Post Office (subject to the cancellation of licence numbered A.2881, at present held by P. J. Lockett, Mornington).

MEDLYN, E., Gill-street, Bacchus Marsh; 1 commercial passenger vehicle, with seating capacity for 29 persons, to operate as follows:—(a) For the carriage only of school children between Coimadai and Bacchus Marsh, via Toolern Vale and Melton, in accordance with a contract entered into with the Education Department, (b) under charter conditions within a radius of 20 miles of Bacchus Marsh, and to Daylesford, Torquay, Barwon Heads, Ocean Grove, Queenscliff, Geelong, and Kyneton.

McHARRY, N. J., 7 Kooyong-road, Geelong; application for variation of licences numbered C.225, C.226, and C.227, to include the ability to operate day tours from Geelong as follows:—

1. From Geelong to Mount Donna Buang, via Melbourne, Ringwood, Lilydale, Warburton, and Cement Creek, and return via the same route. Fare—30s., including lunch.

2. From Geelong to Warburton, via Melbourne, Ringwood, Lilydale, Healesville, Narbethong, and Acheron Way, and return via Lilydale, Ringwood, and Melbourne. Fare—32s. 6d., including lunch.

3. From Geelong to Marysville, via Melbourne, Ringwood, Lilydale, Healesville, and Narbethong, and return via the same route. Fare—35s., including lunch.

4. From Geelong to Hepburn Springs, via Bacchus Marsh, Ballan, and Daylesford, and return via Ballarat and Meredith. Fare—25s., including lunch.

5. From Geelong to Mount Macedon, via Bacchus Marsh and Gisborne, and return via the same route. Fare—25s., including lunch.

6. From Geelong to Portsea, via Melbourne and Point Nepean Highway, and return via the same route. Fare—30s., including lunch.

7. From Geelong to Cowes, via Melbourne, Dandenong, Lang Lang, and San Remo, and return via the same route. Fare—35s., including lunch.

8. From Geelong to Dandenong Ranges, via Melbourne, Croydon, Olinda, Sassafras, Monbulk, Ferny Dell, and Belgrave, and return via Fernytree Gully and Melbourne. Fare—25s., including lunch.

9. From Geelong to The Grampians, via Ballarat and Stawell, and return via the same route. Fare—37s. 6d., including lunch.

10. From Geelong to Mornington Peninsula, via Melbourne, Dandenong, Frankston, Mornington, Dromana, Rosebud, Rye, Cape Schank, Flinders, Shoreham, Merriks, Balmarring, Bittern, Hastings, Tyabb, Somerville, and Frankston, and return via Melbourne. Fare—30s., including lunch.

McHARRY, N. J., 7 Kooyong-road, Geelong; 1 commercial passenger vehicle, with seating capacity for 29 persons, to operate as follows:—(a) As a special service omnibus (charter conditions) within a radius of 25 miles of Geelong, (b) as a touring omnibus on the same day tours from Geelong as set forth in the preceding application.

PETTINGILL, C. C., Day-avenue, Omeo; 1 commercial passenger vehicle, with seating capacity for five persons, to operate as follows:—For the carriage of passengers, mails, and parcels between Omeo and Glen Wills, via Angler's Rest and Glen Valley, as follows:—

Saturdays only of each week.

Depart 7.00 a.m. Omeo Arrive 12.15 p.m.
 Depart 8.15 a.m. Angler's Rest Depart 11.00 a.m.
 Depart 9.15 a.m. Glen Valley Depart 10.15 a.m.
 Arrive 9.30 a.m. Glen Wills Depart 10.00 a.m.

Fares—Omeo—Angler's Rest, 6s. single.
 Omeo—Glen Valley, 10s. single.
 Omeo—Glen Wills, 11s. single.

PLACE, J., 51 Gordon-street, Wonthaggi; application for variation of licence numbered A.3044, to increase the present radius for the carriage of passengers otherwise than at separate and distinct fares for each passenger from 50 to 65 miles of Wonthaggi.

SHEEDY, B. L., Pier-street, Dromana; 1 commercial passenger vehicle, with seating capacity for 5 persons, to be purchased, to operate as follows:—(a) At separate and distinct fares within a radius of 5 miles of Dromana Post Office, (b) under private hire conditions within a radius of 50 miles of Dromana Post Office.

SOUTER, E. W. & J. V. (trading as Souters), 30 McIvor-road, Bendigo; application for variation of licences numbered A.2713 and A.2259, to include the ability to operate tours from Seymour as follows:—

Day Tours.

1. Seymour, Tooborac, Heathcote, Bendigo, tour of City Ordnance Factory, pottery works, White Hills, Botanical Gardens, Elmore, Stanhope, Kyabram, Shepparton, Goulburn Weir, Murchison, and back to Seymour. Return fare, including lunch, £1 2s. 6d.

2. Seymour, Yea, Alexandra, Marysville (lunch), Cumberland Valley, Marysville, Warburton, Lilydale, Melbourne (tea), Wallan, Kilmore, Seymour. Return fare, including lunch and tea, £1 10s.

3. Seymour, Kilmore, Woodend, Malmsbury Weir, Daylesford, Heppburn Springs (lunch), returning via Castlemaine, Elphinstone, Heathcote, Tooborac, to Seymour. Return fare, including lunch, £1 7s. 6d.

4. Seymour, Kilmore, Woodend, Kyneton, Castlemaine, Maryborough (lunch), returning via Maldon (including Mt. Tarrangower), The Gap, Bendigo (tea), Heathcote, Tooborac, Seymour. All inclusive fare £1 10s., including lunch and dinner.

5. Seymour, Kilmore, Woodend, Kyneton, Trentham, Mt. Blackwood (lunch), Ballan, Bacchus Marsh, Melbourne (dinner), Wallan, Kilmore, Seymour. All inclusive fare, including lunch and dinner, £1 10s.

6. Seymour, Heathcote, Kyneton, Harcourt, Mt. Alexander (Koala Sanctuary), Castlemaine (lunch), returning via Sutton Grange, Mt. Ida, Heathcote, Pyalong, Seymour. All inclusive fare, £1 5s.

7. Seymour, Kilmore, Woodend, Mt. Macedon, Camel's Hump, lunch at Woodend, returning via Hanging Rock, Lancefield, Pyalong, to Seymour. Return all inclusive fare, £1 5s.

8. Seymour, Kilmore, Woodend, Gisborne, Daylesford, Ballarat (lunch), Geelong, Melbourne (dinner), return via Wallan and Kilmore. All inclusive fare, £1 10s.

Week-end Tours.

1. Seymour, Kilmore, Woodend, Gisborne, Bacchus Marsh, Geelong, Lorne—first day. Colac, Cressy, Ballarat, Daylesford, Castlemaine, Bendigo, Seymour. All inclusive fare, £3 10s.

2. Seymour, Yea, Lilydale, Melbourne, Dandenong, Sherwood, Lang Lang, San Remo, Cowes—first day. San Remo, Wonthaggi, Drouin, Dandenong, Melbourne, Kilmore. All inclusive fare, £3 10s.

3. Seymour, Yea, Thornton, Alexandra, Mansfield, Mt. Buller Chalet—first day. Mansfield, Benalla, Violet Town, Seymour. All inclusive fare, £3.

4. Seymour, Yea, Cathkin, Mairdample, Mansfield, Whitfield, Myrtleford, Bright—first day. Mt. Buffalo Chalet, Myrtleford, Wangaratta, Benalla, Violet Town, Seymour. All inclusive fare, £3 5s.

5. Seymour, Hume Highway to Albury and Hume Weir—first day. Return via Rutherglen, Strathmerton, Echuca, Kyabram, Murchison, Seymour. All inclusive fare, £3 10s.

Tours at Holiday Week-ends.

1. Seymour, Bendigo, Charlton, Sea Lake—first day. Ouyen, Mildura, Red Cliffs, Euston—second day. Narrung, Swan Hill, Kerang, Echuca, Bendigo, Seymour. All inclusive fare, £5 5s.

2. Seymour, Bendigo, Ballarat, Geelong, Lorne—first day. Apollo Bay, Cape Otway, Port Campbell, Warrnambool, Camperdown—second day. Colac, Geelong, Melbourne, Seymour. All inclusive fare, £4 15s.

3. Seymour, Benalla, Wangaratta, Wodonga, Albury—first day. Tallangatta, Mitta Mitta, Omeo, Mt. Hotham, Bright—second day. Myrtleford, Whitfield, Mansfield, Merton, Yea, Seymour. All inclusive fare, £5 15s.

Seven-day Tour.

First day—Seymour, Kilmore, Woodend, Daylesford, Ballarat, Geelong, Lorne.

Second day—Apollo Bay, Colac, Geelong, Melbourne, Frankston.

Third day—Dandenong, Lang Lang, Cowes, tour of island, Leongatha.

Fourth day—Traralgon, Sale, Bairnsdale, Lakes Entrance, tour of lakes.

Fifth day—Nowa Nowa, Buchan Caves, Bruthen, Omeo.

Sixth day—Mt. Hotham, Bright, Wangaratta.

Seventh day—Benalla, Shepparton, Murchison, Seymour.

All inclusive tour fare, £11.

A PPLICATIONS for licences to operate commercial passenger vehicles, each with seating capacity for five persons, for the carriage of passengers otherwise than at separate and distinct fares for each passenger throughout Victoria:—

CATERER, G. G., 123 Glenhuntly-road, Elsternwick.

FICKEN, E. R., 27 Renown-street, North Essendon.

GORDON, C. A., 14 Balfour-street, East Brighton (two vehicles).

HALLIDAY, D., 97 High-street, Echuca.

HOLE, W. H., junr., Balmoral—to operate from Edenhope.

MAXFIELD, K. E., 12 Albert-street, Mornington (subject to the cancellation of licence numbered P.H.785, at present held by P. J. Lockett, Mornington).

MAYNE, W. E., Trentham (subject to the cancellation of licence numbered P.H.9, at present held by L. M. Gleeson, Trentham).

O'DWYER, J. L., 49 Shelley-street, Elwood.

ROSS & ANKETELL, Box 43, Maffra.

SHEEDY, B. L., Pier-street, Dromana.

SMITH, H. F., 77 Burlington-street, Oakleigh.

ZENNER, H. C., 9 Station-street, Frankston (subject to the cancellation of licence numbered P.H.1598, at present held by Bayside Motors, Frankston).

NOTICE is hereby given that the applications made by the persons named below for licences to operate the commercial goods vehicles on the route or routes, or in the manner set out opposite their names, will be heard at a time and place to be communicated to the parties concerned:—

Name and Address; Nature of Application.

FRANZ, W. G. (trading as Fibro Walls and Ceiling Co.), Kerang; 1 commercial goods vehicle (83 cwt.) for the carriage of fibro sheets and mouldings in the course of own business as "Fibro Plaster Sheet Manufacturer" within a radius of 80 miles from Kerang.

HUTCHINSON, R. H., 185 Olive-grove, Mildura; 1 commercial goods vehicle (30 cwt.) for the carriage of building materials in the course of business as "Building Contractor" within a radius of 75 miles from Mildura.

PENNANT, T. H., 399 Coventry-street, South Melbourne; 1 commercial goods vehicle (15 cwt.) for the carriage of tools of trade and incidental materials used in connexion with the execution of building contracts for the Public Works Department and the Housing Commission throughout the State of Victoria.

PRITCHARD, C. E., 57 Cubitt-street, Richmond; 1 commercial goods vehicle (15 cwt.) for the carriage of tools of trade, spare parts, and materials incidental to the installation of "Bendix Home Laundry" machines, also occasional urgent machines throughout the State of Victoria.

REID, G. & J., 348 Sydney-road, Coburg; 1 commercial goods vehicle (100 cwt.) for the carriage of—(a) general goods within a radius of 25 miles from Melbourne, (b) road-making plant and materials within a radius of 50 miles from Melbourne.

REYNOLDS, V. M., 796 Mate-street, Albury, New South Wales; 1 commercial goods vehicle (80 cwt.) for the carriage of—(a) newspapers, small consignments of perishable and general goods to householders on the route from Albury to Bright as follows:—Depart Albury 4.30 a.m., thence to Yackandandah, Beechworth, Gapsted, Myrtleford, arriving at Bright 7.15 a.m., (b) perishable goods from growers en route on the return journey from Bright to Albury as follows:—Depart Bright 9 a.m., thence to Myrtleford, Barwidgee Creek, Mudgegonga, Bruarong, Yackandandah, arriving at Albury 12.15 p.m., (c) two passengers on the routes referred to under paragraphs (a) and (b) above.

TAYLOR, W. E., 68 Baker-street, Richmond; 1 commercial goods vehicle (15 cwt.) to operate as a mobile kitchen for the carriage of doughnuts and ingredients for their manufacture throughout the State of Victoria.

NOTICE is hereby given that the applications made by the persons named below for renewal of licences to operate the commercial goods vehicles on the route or routes, or in a manner set out opposite their names, will be heard at a time and place to be communicated to the parties concerned:—

Name and Address; Present Franchise; Licence No.;
Date of Expiry.

HEALESVILLE AREA.

ALLEN & TAGGART, Lilydale-road, Healesville—

1. Logs from any forest landing in the Niagara and Upper Yarra forestry districts and the North Big River area—(a) to the railway station at Healesville, and to any mill or dump which is located within a radius of 20 miles of such landing or of the railway station at Healesville, (b) to any mill situated south of the River Yarra within a radius of 25 miles but not within 8 miles of the G.P.O., Melbourne.

2. Logs from such other area or to such other destinations as may be authorized, in writing, by the Board from time to time; T.T.D.1203, T.T.D.1204, T.T.D.1205; 27th June, 1950.

BERGIN, HENRY A., Castella-street, Healesville—

1. Logs from any forest landing in the Niagara and Upper Yarra forestry districts and the North Big River area—(a) to the railway station at Healesville, and to any mill or dump which is located within a radius of 20 miles of such landing or of the railway station at Healesville, (b) to any mill situated south of the River Yarra within a radius of 25 miles but not within 8 miles of the G.P.O., Melbourne.

2. Logs from such other area or to such other destinations as may be authorized, in writing, by the Board from time to time; T.T.D.1206; 27th June, 1950.

GORMLEY, G. A., Johnstone-street, Alexandra—

1. Logs from any forest landing in the Niagara and Upper Yarra forestry districts and the North Big River area—(a) to the railway station at Healesville, and to any mill or dump which is located within a radius of 20 miles of such landing or of the railway station at Healesville, (b) to any mill situated south of the River Yarra within a radius of 25 miles but not within 8 miles of the G.P.O., Melbourne.

2. Logs from such other area or to such other destinations as may be authorized, in writing, by the Board from time to time; T.T.D.1216; 27th June, 1950.

GRANTON SAW MILLS & TIMBER SEASONING PTY. LTD., P.O., Box 36, Healesville—

1. Logs from any forest landing in the Niagara and Upper Yarra forestry districts and the North Big River area—(a) to the railway station at Healesville, and to any mill or dump which is located within a radius of 20 miles of such landing or of the railway station at Healesville, (b) to any mill situated south of the River Yarra within a radius of 25 miles but not within 8 miles of the G.P.O., Melbourne.

2. Logs from such other area or to such other destinations as may be authorized, in writing, by the Board from time to time; T.T.D.1208, T.T.D.1209; 27th June, 1950.

GOULD, J. L., Falls-road, Marysville—

1. Sawn timber from Cooks mill at Thornton and Marysville—(a) to the railway station at Healesville, (b) to any customer if delivered within a radius of 20 miles of Healesville Railway Station, (c) to any merchant or builder if delivered to a timber yard or direct on to a building site which is located south of the River Yarra within a radius of 25 miles but not within 8 miles of the G.P.O., Melbourne.

2. Logs from any forest landing in the Niagara and Upper Yarra forestry districts and the North Big River area—(a) to the railway station at Healesville, and to any mill or dump which is located within a radius of 20 miles of such landing or of the railway station at Healesville, (b) to any mill situated south of the River Yarra within a radius of 25 miles but not within 8 miles of the G.P.O., Melbourne.

3. Logs from such other area or to such other destinations as may be authorized, in writing, by the Board from time to time; T.T.D.1210; 27th June, 1950.

HILL, WALTER E., 356 Murray-road, Preston—

1. Logs from any forest landing in the Niagara and Upper Yarra forestry districts and the North Big River area—(a) to the railway station at Healesville, and to any mill or dump which is located within a radius of 20 miles of such landing or of the railway station at Healesville, (b) to any mill situated south of the River Yarra within a radius of 25 miles but not within 8 miles of the G.P.O., Melbourne.

2. Logs from such other area or to such other destinations as may be authorized, in writing, by the Board from time to time.

3. Sawn timber from McNeil and Ratcliffe's mill at Marysville—(a) to the railway station at Healesville, (b) to any customer if delivered within a radius of 20 miles of Healesville Railway Station, (c) to any merchant or builder if delivered to a timber yard or building site which is located south of the River Yarra within a radius of 25 miles but not within 8 miles of the G.P.O., Melbourne; T.T.D.1211; 27th June, 1950.

PECK, COLIN A., Healesville; sawn timber from Robinson's mill at Narbethong—(a) to the railway station at Healesville, (b) to any customer if delivered within a radius of 20 miles of Healesville Railway Station, (c) to any merchant or builder if delivered to a timber yard or direct on to a building site which is located south of the River Yarra within a radius of 25 miles but not within 8 miles of the G.P.O., Melbourne; T.T.D.1214; 27th June, 1950.

WARBURTON AREA.

GERRISH, EDWARD J. (trading as Gerrish and Sons), Main-street, Warburton—

1. Logs from any forest landing in the Niagara and Upper Yarra forestry districts and the North Big River area—(a) to the railway stations at Warburton and Yarra Junction, and to any mill or dump which is located within a radius of 20 miles of such landing or of the railway stations at Warburton and Yarra Junction, (b) to any mill situated south of the River Yarra within a radius of 25 miles but not within 8 miles of the G.P.O., Melbourne.

2. Logs from such other area or to such other destinations as may be authorized, in writing, by the Board from time to time.

3. Sawn timber from H. Tuchman and Alpine Mill at Millgrove—(a) to the railway stations at Warburton and Yarra Junction, (b) to any customer, if delivered within a radius of 20 miles of the Warburton and Yarra Junction railway stations, (c) to any merchant or builder, if delivered to a timber yard or direct on to a building site which is located south of the River Yarra within a radius of 25 miles but not within 8 miles of the G.P.O., Melbourne; T.T.D.1200, T.T.D.1201, T.T.D.1202; 27th June, 1950.

LILLIS, JAMES P., 24 Collins-street, Hartwell, E.6—

1. Logs from any forest landing in the Niagara and Upper Yarra forestry districts and the North Big River area—(a) to the railway stations at Warburton and Yarra Junction, and to any mill or dump which is located within a radius of 20 miles of such landing or of the railway stations at Warburton and Yarra Junction, (b) to any mill situated south of the River Yarra within a radius of 25 miles but not within 8 miles of the G.P.O., Melbourne.

2. Logs from such other area or to such other destinations as may be authorized, in writing, by the Board from time to time.

3. Sawn timber from Cockatoo sawmills at Cockatoo—(a) to the railway stations at Warburton and Yarra Junction, (b) to any customer if delivered within a radius of 20 miles of the Warburton and Yarra Junction railway stations, (c) to any merchant or builder, if delivered to a timber yard or direct on to a building site which is located south of the River Yarra within a radius of 25 miles but not within 8 miles of the G.P.O., Melbourne; T.T.D.1077; 27th June, 1950.

NOOJEE AREA.

HUG, E. L., Tanjil Bren—

1. Logs from any forest landing in the Upper Yarra forestry district—(a) to the railway station at Noojee, and to any mill or dump which is located within a radius of 20 miles of such landing or of the railway station at Noojee, (b) to any mill situated—

- (i) on or within 5 miles of the Prince's Highway east between Warragul and Berwick,
- (ii) south of the River Yarra within a radius of 25 miles but not within 8 miles of the G.P.O., Melbourne.

2. Logs from such other area or to such other destinations as may be authorized, in writing, by the Board from time to time; T.T.D.1191; 27th June, 1950.

RYAN, J. H., & SONS, Ingles-street, Port Melbourne—

1. Logs from any forest landing in the Upper Yarra forestry district—(a) to the railway station at Noojee, and to any mill or dump which is located within a radius of 20 miles of such landing or of the railway station at Noojee, (b) to any mill situated—

- (i) on or within 5 miles of the Prince's Highway east between Warragul and Berwick,
- (ii) south of the River Yarra within a radius of 25 miles but not within 8 miles of the G.P.O., Melbourne.

2. Logs from such other area or to such other destinations as may be authorized, in writing, by the Board from time to time; T.T.D.1193, T.T.D.1194; 27th June, 1950.

POWER, F. J., & H. KIRCHHUBEL, 29 Bolton-street, Box Hill—

1. Logs from any forest landing in the Upper Yarra forestry district—(a) to the railway station at Noojee, and to any mill or dump which is located within a radius of 20 miles of such landing or of the railway station at Noojee.

2. Logs from such other area or to such other destinations as may be authorized, in writing, by the Board from time to time; T.T.D.1192; 27th June, 1950.

EXOR. ESTATE (late W. A. Hug), Tanjil Bren—

1. Logs from any forest landing in the Upper Yarra forestry district—(a) to the railway station at Noojee, and to any mill or dump which is located within a radius of 20 miles of such landing or of the railway station at Noojee, (b) to any mill situated—

- (i) on or within 5 miles of the Prince's Highway east between Warragul and Berwick,
- (ii) south of the River Yarra within a radius of 25 miles but not within 8 miles of the G.P.O., Melbourne.

2. Logs from such other area or to such other destinations as may be authorized, in writing, by the Board from time to time.

3. Sawn timber from Hug's Mill at Tanjil Bren to the Noojee railway station or to any timber merchant or builder, if delivered *en route* to such railway station or to a timber yard or building site located within a radius of 20 miles of such railway station; T.T.D.1195; 27th June, 1950.

TURNER, ARTHUR K., Icy Creek P.O., via Noojee—

1. Logs from any forest landing in the Upper Yarra forestry district—(a) to the railway station at Noojee, and to any mill or dump which is located within a radius of 20 miles of such landing or of the railway station at Noojee, (b) to any mill situated—

- (i) on or within 5 miles of the Prince's Highway east between Warragul and Berwick,
- (ii) south of the River Yarra within a radius of 25 miles but not within 8 miles of the G.P.O., Melbourne.

2. Logs from such other area or to such other destinations as may be authorized, in writing, by the Board from time to time.

3. Sawn timber from A. C. Cooks Pty. Ltd. Mill at Tanjil Bren to the Noojee railway station or to any timber merchant or builder, if delivered *en route* to such railway station or to a timber yard or building site located within a radius of 20 miles of such railway station; T.T.D.1196; 27th June, 1950.

TURNER, ARTHUR K., Icy Creek P.O., via Noojee—

1. Logs from any forest landing in the Upper Yarra forestry district—(a) to the railway station at Noojee, and to any mill or dump which is located within a radius of 20 miles of such landing or of the railway station at Noojee, (b) to any mill situated—

- (i) on or within 5 miles of the Prince's Highway east between Warragul and Berwick,

(ii) south of the River Yarra within a radius of 25 miles but not within 8 miles of the G.P.O., Melbourne.

2. Logs from such other area or to such other destinations as may be authorized, in writing, by the Board from time to time.

3. Sawn timber from A. C. Cooks Pty. Ltd. mill at Tanjil Bren to the Noojee railway station or to any timber merchant or builder, if delivered *en route* to such railway station or to a timber yard or building site located within a radius of 20 miles of such railway station; T.T.D.1197; 27th June, 1950.

WESTERN AREA.

PATON, ROBERT, & SONS, High-street, Koroit; sawn timber from—(a) Harmers and Ball's Mill at Heathmere, L. W. Porter Mill, Bessiebell, Holmes and Melano's Mill, Tyrandarra to own timber yard at Koroit, (b) own yards at Koroit to consignees within a radius of 25 miles of such yard; T.T.D.1161; 27th June, 1950.

STAWELL TIMBER INDUSTRIES PTY. LTD., 141 Main-street, Stawell; logs from any forest landing within a radius of 60 miles from Stawell Post Office to holders' own mill at Stawell; T.T.D.1162, T.T.D.1163, T.T.D.1164, T.T.D.1165, T.T.D.1166; 27th June, 1950.

WOLFE, STANLEY E., Rippon-road, Hamilton—(a) logs from any forest landing in the Hotspur, Lyons, Heywood, and Portland areas to Strachan's Mill at Hamilton, (b) sawn timber from Strachan's Mill at Hamilton to Soldiers' Settlement at Derrinallum, Streatham, Merino, Berrambool and to the railway station at Hamilton, and to consignees within 20 miles of the aforesaid railway station; T.T.D.1167; 27th June, 1950.

MIDLANDS AREA.

BEATTIE, A. L. & P. J., Gellibrand—(a) logs from any forest landing in the Gellibrand area to holders' own mill at Gellibrand, (b) sawn timber from own mill at Gellibrand to housing sites only at Geelong and Camperdown; T.T.D.1157; 27th June, 1950.

HEIMS, H. W., 5 Alfred-street, Heidelberg—(a) case logs from any forest landing in the Kinglake and Flowerdale areas to R. Sealey's Mill at Fitzroy, (b) sawn timber from Norbury Mills at Kinglake to Norbury's Timber Yards at Pascoe Vale; T.T.D.1158; 27th June, 1950.

MILLS, RONALD, Albert-street, Creswick; logs from any forest landing in the Woodend area to Boyd's Mill at Preston and Carmichael's Mill at Richmond; T.T.D.1159; 27th June, 1950.

NORTH-EASTERN AREA.

DEMPSEY, RAYMOND F., c/o Bamford Sawmills, Euroa; (a) Logs from any forest landing in the Strathbogie area to Bamford Sawmills at Euroa, (b) sawn timber from Bamford Sawmills at Euroa to the railway station at Euroa and to consignees within 20 miles radius of the aforesaid railway station and to timber yards at Benalla and Shepparton; T.T.D.1170; 27th June, 1950.

DUNSTAN, GEORGE E., Peechelba East; (a) redgum logs from any forest landing within 50 miles radius of the Ovens River Sawmills at Peechelba East to the Ovens River Sawmills at Peechelba East, (b) sawn timber from the above-mentioned sawmills to consignees within 50 miles radius of the aforesaid mills, (c) from Ovens River sawmills to Murray River flats between Rutherglen and Wodonga to consignees at Albury, Wangaratta, Rutherglen, Benalla, and Shire Bridge jobs; T.T.D.1171; 27th June, 1950.

DUNSTAN, A., and Sons, 1-5 Tallangatta-road, Wodonga; (a) logs from the Forests Commission base at Mt. Wills to A. Dunstan's mill at Eskdale, (b) sawn timber from Dunstan's mill at Eskdale to A. Dunstan's timber yards at Wodonga and to the railway stations at Wodonga and Albury; T.T.D.1173; 27th June, 1950.

EDGAR, ROBERT W., 63 Templeton-street, Wangaratta; (a) logs from any forest landing in the Cheshunt, Edi, and Upper Rose River districts to Wangaratta Sawmills and Timber Supply Co. at Wangaratta, (b) redgum logs within a radius of 50 miles of the post office at Wangaratta to the Wangaratta Sawmills and Timber Supply Co. at Wangaratta; T.T.D.1174; 27th June, 1950.

FRANKSTON SAWMILLS, 18 Stud-road, Dandenong; redgum logs from any forest landing in the Moyhu area to the railway station at Benalla; T.T.D.1172; 27th June, 1950.

KIELLERUP, R. T., High-street, Mansfield; sawn timber from Delatite Sawmills Pty. Ltd. at Mirrimbah to consignees at Mansfield and Benalla; T.T.D.1179; 27th June, 1950.

HANSON, G. F. O. (trading as Ovens River Saw Mills), Peechelba Railway Station; redgum logs from any forest landing within 30 miles radius of Peechelba to holder's own mill at Peechelba; T.T.D.1177; 27th June, 1950.

VAN-DAMME, JAMES M., Edi, via Wangaratta; (a) logs from any forest landing within a radius of 20 miles of Wangaratta Post Office and from existing forest area at Upper King River to holder's own mill at Wangaratta, (b) sawn timber from own mill to consignees within 25 miles radius of Wangaratta and to the Wangaratta Railway Station, (c) for the cartage of sawmilling gear and equipment between mill and own forest landings; T.T.D.1182; 27th June, 1950.

GIPPSLAND AREA.

PANTHER, SIDNEY W., 272 Heidelberg-road, Fairfield; sawn timber from Propoch Bros. Mill at Longwarry to own timber yard at Fairfield; T.T.D.1185; 27th June, 1950.

TRUSCOTT, C. T., Pakenham East; (a) logs from any forest landing in the Balook area to holder's own mills at Pakenham East, (b) sawn timber from holder's own mill at Pakenham East to consignees on the Mornington Peninsula, and to Melbourne suburban districts direct only to building sites in the metropolitan area, also Beech Timber Co.'s yard at Mentone; T.T.D.1186, T.T.D.1187, T.T.D.1188, T.T.D.1189, T.T.D.1190; 27th June, 1950.

Notice of any objection should be forwarded to reach the Secretary of the Board not later than Wednesday, 21st June, 1950.

E. V. FIELD,
Secretary.

Exhibition Buildings, Rathdown-street, Carlton, N.3,
6th June, 1950.

DEPARTMENT OF LAW.—SOLICITOR-GENERAL.

COURTS OF GENERAL SESSIONS OF THE PEACE—
DAY ALTERED—WANGARATTA.

HIS Excellency the Governor of the State of Victoria, by and with the advice of the Executive Council, doth by Order made on the 30th day of May, 1950, amend the Order in Council approved on the 15th November, 1949, appointing certain dates for holding Courts of General Sessions of the Peace during the year 1950 so far as Wangaratta is concerned by the cancellation of Tuesday, the 12th September, 1950, and the substitution therefor of Tuesday, the 19th September, 1950.

A. MAHLSTEDT,
Clerk of the Executive Council.

At the Executive Council Chamber,
Melbourne, the 30th May, 1950.

FORESTS COMMISSION OF VICTORIA.

APPOINTMENT OF COMMITTEE OF MANAGEMENT OF MELVILLE'S
CAVES RESERVE, PARISH OF KANGDERAAR.

WHEREAS by section 56 of the *Forests Act 1928* it is provided that the Minister of Forests, on the recommendation of the Forests Commission, may appoint any number of persons, not less than three, to be a Committee of Management of any land forming part of any reserved forest, such land being a place of natural beauty or interest or a health resort, and may remove any of such persons: Now therefore I, Alexander Henry Dennett, His Majesty's Minister of Forests in the State of Victoria, on the recommendation of the Forests Commission, do hereby appoint—

STANLEY ROSS CATTO, Korong,
RICHARD WALTER DONALDSON, Korong,
CYRIL MEDLIN, Inglewood,
PERCY ROBERT SIMS, Dunolly, and
WILLIAM DONALD McLEOD, Dunolly,

as members of the Committee of Management, for a period of three years, from the first day of January, 1950, of the land forming part of the reserved forest in the Parish of Kangderaar, known as "Melville Caves Reserve," and more particularly shown on plan No. A-49/1080-1/1/50 in file of correspondence No. 49/1080 of the Forests Commission.

Dated at Melbourne, the twenty-sixth day of April, One thousand nine hundred and fifty.

A. H. DENNETT,
Minister of Forests.

CONTRACTS ACCEPTED.—(Series 1949-50.)

PUBLIC WORKS.

5480 (1) Boronia, State School No. 4081, non-party fencing to residence, £103 15s.—W. and D. Pitts and Son.
5481. (6) Bundoora, State School No. 1915, repairs and painting, £140.—Buckingham and Lewton.

5482. (1) Boisdale, Consolidated School, erection of Administration Block, £14,563.—H. N. Olver.

5483. (1) Bairnsdale, Assistant District Architect's Residence, Public Works Department, supply and fixing of tile roof.—£143 5s.—Wunderlich Ltd.

5484. (1) Bairnsdale, Assistant District Architect's Residence, Public Works Department, installation of fuel hot-water service, £160 10s.—H. C. Morris.

5485. (2) Bairnsdale, State School No. 754, provision of new water service, £297 11s. 6d.—F. W. West.

5486. (2) Buangor, Police Station, Residence, electrical installation, £138.—H. W. Sarah.

5487. (2) Chum Creek, State School No. 3299, non-party fencing to all road boundaries, £125 14s.—H. Ashmore.

5488. (1) Coburg, Pentridge Gaol, supply and delivery of five electrically heated food trolleys and sundry equipment, £1,850.—M. F. Ahearn and Co.

5489. (1) Dundonnell, State School No. 2795, electrical installation, £125.—J. J. Leahy.

5490. (2) Greenvale Sanatorium, supply and fixing cork board insulation to the meat and vegetable freezing chambers at the Nurses' Quarters, £418 10s.—Fiat Top Roofing Co.

5491. (1) Goroke, Police Station, supply and installation of fuel hot-water system, £166.—T. H. Stewart.

5492. (1) Kaniva, Consolidated School, erection of new Administrative Wing, £16,666.—K. G. Hooker and Co.

5493. (1) Kaniva, Consolidated School, sanitary plumbing and treatment plant, water reticulation, £5,666.—K. G. Hooker and Co.

5494. (1) Kyneton, State School No. 343, supply and installation of fuel hot-water service, residence, £168.—P. C. Brewer.

5495. (1) Langi Kal Kal, Training Centre, electrical installation in homestead, £533 10s.—H. W. Sarah.

5496. (2) Maidstone, State School, M.A., provision of out-office, £670.—F. T. Pulling.

5497. (1) Mt. Noorat, Glenormiston Estate, repairs and renovations, £372 16s. 6d.—P. E. Hutchings.

5498. (1) Manangatang, Consolidated School, erection of teacher's residence, type E.4R, £950.—A. E. Carpenter.

5499. (3) Melbourne, Town and Country Planning Board, 107 Russell-street, supply and fixing of fibrous plaster walls and ceilings, £174 6s.—Liddy Classic Fibrous Plaster Co.

5500. (2) Melbourne, Technical School, provision of partitions, New Chemistry School, £14,777.—K. G. Hooker and Co.

5501. (3) Melbourne, Botanical Gardens, renovations to various buildings, £1,753 15s.—H. C. Goldberg.

5502. (2) Melbourne, Agriculture Department, Treasury Gardens, additions to boiler room, £1,098 10s.—Thompson and Chalmers Pty. Ltd.

5503. (1) Numurkah, State School No. 2134, conversion of Army hut, £1,751.—H. D. Reid and R. Crabb.

5504. (3) Port Melbourne, Public Works Department Depot, supply and installation of twelve kerosene hot-water services in prefabricated houses for teachers, £1,548.—Mideco Pty. Ltd.

5505. (1) Pakenham, Consolidated School, erection of Administration Block, £14,977.—Keith G. Hooker and Co.

5506. (2) Pakenham, Consolidated School, sewerage, sanitary plumbing and treatment plant, £4,277.—Keith G. Hooker and Co.

5507. (1) Royal Park, Children's Welfare Depot, new stack on steam boiler, £128.—Miller Bros.

5508. (1) Royal Park, Mental Hospital, gas hot-water service for new dental clinic, £150.—R. C. Ashby.

5509. (4) Shepparton, High School, installation of electric light and power in two teachers' residences, £155 3s. 2d.—Hosie's Electrical and Mechanical Services.

5510. (1) Shepparton North, M.A., site, works, and erection of out offices, £453 2s.—E. L. O'Donnell.

5511. (1) Sunbury, Mental Hospital, removal of and provision of new verandah floor at Ward F.6, £192.—R. L. Philip.

5512. (1) Sunbury, Mental Hospital, increasing door width, provision of two new doors, &c., in Laundry Block, £139.—R. L. Philip.

5513. (2) Sunbury, Mental Hospital, re-pointing of existing brickwork to various buildings, £144.—R. L. Philip.

5514. (2) Sunbury, Mental Hospital, provision of dark room, &c., in hospital building, £133.—R. L. Philip.

5515. (1) Sunbury, Mental Hospital, provision of new sanitary spur for Ward M.5, £897 10s.—R. L. Philip.

5516. (1) Toolern Vale, State School No. 946, internal and external repairs and painting, repairs to shelter shed and out-offices, removing stove to new location, replastering and re-pointing wall, £146.—F. Ryan.

5517. (1) Torquay, State School No. 3363, erection of new timber residence, £2,860 10s. 6d.—T. Doolan.

5518. (2) Tandarook, State School No. 3421, repairs, painting, &c., school and residence, £433 19s.—P. E. Hutchings.

5519. (3) Tullamarine, State School No. 2613, provision of new room, including installation of stainless steel sink, &c., £188 10s.—R. L. Philip.

5520. (1) Watsonia Camp, Emergency Housing, removing portion of wash houses, and repairs, £347.—F. T. Pulling.

5521. (2) Warracknabeal, District Hospital, supply and installation of steam and hot-water services, new Nurses' Home, £446.—C. G. Langford.

5522. (2) Wurruk, State School No. 2518, repairs and painting, £548.—Wynd Bros.

5523. (3) Warrnambool, Technical School, erection of teacher's residence in timber, £2,340.—A. E. Altmann.

5524. (3) Warragul, High School, erection and completion of four (4) teachers' residences, £10,298 10s.—C. P. McIver and F. Wetherheld.

5525. (1) Queenscliff, Buoy Shed, labour and materials for rewiring, £108 4s. 7d.—R. B. Goodall.

5526. (1) South Melbourne, Public Works Storeyard, supply of Fitzroy ball-bearing tracks, £176.—Chas. Marshall Pty. Ltd.

5527. (1) South Melbourne, Public Works Storeyard, supply of Baltic timber, £282 2s. 6d.—W. S. Neelands Pty. Ltd.

5528. (1) South Melbourne, Public Works Storeyard, fitting 40 bulleyes on flush panelled doors, £115 15s.—W. S. Neelands Pty. Ltd.

5529. (1) Maidstone, M.A., State School, erection of three "Bristol" prefabricated schoolroom units, £2,691.—Overseas Corporation (Australia) Ltd.

5530. (1) Beaumaris, State School No. 3899, erection of one "Bristol" prefabricated school room unit, £897.—Overseas Corporation (Australia) Ltd.

5531. (1) Canterbury, State School No. 3572, erection of one "Bristol" prefabricated school room unit, £897.—Overseas Corporation (Australia) Ltd.

5532. (1) Upwey, High School, supply and fixing of floor tiles, £408 10s.—Dunlop Semtex Pty. Ltd.

5533. (1) Royal Park, Emergency Housing, extending mains to supply seven new huts in Area 6, and maintenance of transformers and overhead lines, £133 9s. 6d.—City Treasurer.

5534. (2) North Melbourne, Printing Trades School, supply and delivery of stools, £110.—McCabe and Pomeroy Pty. Ltd.

5535. (3) Bendigo, Teachers' College, "Comersdale," supply and delivery of furniture, £1,007 19s. 1d.—Andersons Pty. Ltd.; £838 16s. 1d.—Morley Johnson's (Bendigo) Pty. Ltd.

5536. (2) Melbourne, Lands Department, Examining Branch, supply and delivery of three plan presses, £103 2s. 6d.—B. E. Purnell.

5537. (2) Coburg, Pentridge Gaol, supply and delivery of potato peeler, £195.—Brice Scale and Slicer Co.

5538. (1) Gresswell Sanatorium, alterations and additions to Boiler House and Sputum Room, £187 2s. 6d.—L. J. Morgan.

5539. (1) Noojee, State School No. 4098, supply and fixing fibro plaster to walls and ceilings, £196.—Warragul Fibro Plaster Works.

5540. (1) Melbourne, Police Depot, St. Kilda-road, additions to electrical installation, £113 15s.—Sutherland and Green Pty. Ltd.

5541. (1) Stawell, High School, supply of joinery, Teachers' Residences, £381 17s.—Stawell Timber Industries Pty. Ltd.

5542. (1) Scoresby, Research Station, supply and fixing fibro plaster ceilings, Manager's Residence, £140 10s.—Hartley and Blacker.

5543. (1) East Loddon, Consolidated School, supply of Fitzroy tracks and fittings, Junior Wing, £116 10s.—Chas. Marshall Pty. Ltd.

5544. (1) Hampton, Breakwater, supply of stone, £564 17s. 3d.—Lords Bluestone Quarries Pty. Ltd.

5545. (1) Hampton, Breakwater, supply of stone, £656 0s. 8d.—J. Starbuck and Sons.

5546. (1) Hampton, Breakwater, supply of stone, £368 6s. 6d.—Leonard S. Neve.

5547. (1) South Melbourne, Public Works Storeyard, supply of Tasmanian hardwood, £1,997 4s. 6d.—Gibbs, Bright, and Co.

5548. (4) Melbourne, State Accident Insurance Office, 412 Collins-street, alterations and additions to fittings, £467.—Campbell and Ibbotson.

5549. (1) Williamstown, Ports and Harbors, repairs to launch *Surveyor*, £157 10s. 3d.—R. J. Westlake Motors.

5550. (1) Melbourne, Printing Trades School, supply of equipment, £350.—Gollin and Co. Pty. Ltd.

5551. (1) Port Melbourne, Public Works Depot, Salmon-street, provision of linoleum, £8,491 10s.—Anderson's Pty. Ltd.

5552. (1) Port Melbourne, Public Works Depot, Salmon-street, provision of linoleum, £387.—E. L. Yencken and Co. Pty. Ltd.

5553. (1) Werribee, School of Dairy Technology, roof tiling, £321 0s. 9d.—Builders Roofing and Trading Co.

5554. (1) Melbourne, Cool Stores, Victoria Dock, supply of timber, £136 12s. 6d.—W. S. Neelands Pty. Ltd.

5555. (1) Dookie, Agricultural College, supply of heavy-duty copper cable, £114 12s. 8d.—S. Pearce.

5556. (1) Warragul, Police Station, removal of trees, £100.—Harry Bailey.

5557. (1) Vaughan Springs, Public Works Department, Caretaker's Residence, fibro plastering, £141 10s.—D. J. Roberts.

5558. (1) Melbourne, Parliament House, renovations to two (2) billiard tables, £124 9s.—Alcock, Thompson, and Taylor Pty. Ltd.

5559. (1) South Melbourne, Public Works Storeyard, supply of Oregon timber, £193 9s. 10d.—W. S. Neelands Pty. Ltd.

5560. (1) Melbourne, Law Courts, supply and delivery of three rolls of 7-lb. lead, £132 7s. 3d.—A. Crewther and Son.

5561. (1) South Melbourne, Public Works Storeyard, supply of English white duck tents and flies, £216.—Evan Evans Pty. Ltd.

5562. (1) Brunswick South-West, State School No. 4304, supply and erection of blackboards, cupboards, and hat and coat hooks, £177 10s.—F. T. Pulling.

5563. (1) Port Melbourne, Public Works Depot, Salmon-street, supply of lubricating oil, £116.—Caltex Oil Co. Ltd.

J. A. KENNEDY, Commissioner of Public Works. 30.5.50.

ORDERS IN COUNCIL.—(Series 1949-50.)
FORESTS COMMISSION.

Loan Act No. 5333, Item 8—

5564. To the purchase of allotment 4, section C, Township of Deptford, Parish of Onyim, and allotment 1A, section C, Parish of Bullumwaal, County of Dargo, containing in all 11 acres 3 roods 34 perches for forest purposes, £10.—I. H. McKay, c/o Public Trustee, 412 Collins-street, Melbourne.

5565. To purchase of allotments 9, 10, 12A, 13, and 14A, section D, Parish of Woolenook, County of Tanjil, containing 2,436 acres 29 perches for forest purposes, £2,131 13s. 2d.—R. A. Dunsmuir, of Briagolong.

Approved by the Governor in Council, 28th March, 1950.—A. G. COULTHARD, Acting Clerk of the Executive Council.

DEPARTMENT OF EDUCATION.

5566. Thirty-six only copywriter boards (multiple post system), 3,000 wages sheets, 12 only cabinets for wages sheets, 24 only binders for wages sheets, 3,000 pay sheets, 36 only loose leaf binders for wages sheets, 3,000 advice slips, 2,000 history cards, 36 only binders for history cards, £483 17s. 6d.—Kalamazoo (Aust.) Ltd., Melbourne.

5567. One only C.02 Recorder, one only Fluxmeter, for Caulfield Technical School, £113 5s.—A. E. Supplies Pty. Ltd., High-street, Prahran.

5568. One only 12-h.p. Bedford utility motor chassis, J.C. model, for Stawell Technical School, £260.—McCracken's Garage, Main-street, Stawell.

5569. One only lathe, all geared headstock, 10-in. swing, 33 inches between centres, for Stawell Technical School, £273.—Qualos Sales Pty. Ltd., Lothian-street, North Melbourne.

5570. Remodelling copper etching machine, using earthenware trough already in possession of the school, fitting with specially made plastic tube and beaters, ball bearings and shaft, plastic plate rack and lid, angle iron stand, pulleys, belt, and 1-h.p. motor, for Melbourne Printing Trades School, £125.—S. E. L. Wilde, 415 Bay-street, Brighton.

5571. Motor mechanics' equipment, for Hamilton, Shepparton, Swan Hill, and Warragul High Schools, £1,231 16s. 4d.—Recco Limited, Melbourne.

5572. Motor mechanics' equipment, for Hamilton, Shepparton, Swan Hill, and Warragul High Schools, £619 14s. 11d.—Brooklands Accessories Ltd., South Melbourne.

5573. Motor mechanics' equipment, for Hamilton, Shepparton, Swan Hill, and Warragul High Schools, £405 8s. 5d.—Machin and Co. Ltd., Melbourne.

5574. Motor mechanics' equipment, for Hamilton, Shepparton, Swan Hill, and Warragul High Schools, f421 13s.—James Walker Pty. Ltd., Melbourne.

5575. Motor mechanics' equipment, for Horsham High School, £175 3s.—Brooklands Accessories Ltd., South Melbourne.

5576. Motor mechanics' equipment, for Horsham High School, £216 5s. 3d.—Repco Replacements Parts Pty. Ltd., Melbourne.

5577. Motor mechanics' equipment, for Horsham High School, £124 17s. 2d.—A. G. Healing Ltd., Melbourne.

Approved by the Governor in Council, 30th May, 1950.—A. MAHLSTEDT, Clerk of the Executive Council.

STATE ELECTRICITY COMMISSION.

5578. The printing of 600,000 copies of brochure "You and Your Electricity Supply" for issue to electricity consumers.—The Argus and Australasian Ltd.

5579. The supply of 5,000 porcelain holders for public lighting in the metropolitan area, to Quotation No. 5838.—Australian General Electric Pty. Ltd.

5580. The supply of reversing and single pole contactors for power shovels, Morwell and Yallourn, to Quotation No. 2642.—Australian General Electric Pty. Ltd.

5581. The supply of 12 Dodge 15-cwt. utility trucks, to Quotation No. 4722.—Canada Cycle and Motor Co. (Vic.) Pty. Ltd.

5582. The supply of spare parts for Conway loaders, Kiewa, to Quotation No. 5364.—John Carruthers and Co., Pty. Ltd.

5583. The carrying out of alterations and additions to electrical installation, Yallourn Hospital, to Quotation No. 5859.—Carter and Stanger.

5584. The supply of acetylene and oxygen, for a period of twelve months, to Specification No. 49-50/327.—C.I.G. (Victoria) Pty. Ltd.

5585. The supply of five powered concrete buggies for carriage of concrete, Yallourn and Kiewa Hydro-Electric Scheme, to Quotation No. 5679.—Cook, Harrison, and Co. Pty. Ltd.

5586. The erection of wire fencing around transport workshop site, Fishermen's Bend, to Specification No. 49-50/315.—Cyclone Co. of Australia Ltd.

5587. The supply of 500 oilskin coats, 500 oilskin legs, and 300 oilskin hats, Yallourn, to Quotation No. 5425.—Eilenberg and Zeltner.

5588. The supply of four 50-cwt. Jumbo mobile cranes, for handling of steel and other materials in steel storage areas and on wharves, to Quotation No. 6216A.—Electronic Industries Imports Pty. Ltd.

5589. The supply of four 3-cubic-yard agitator concrete mixers, Morwell Project, to Specification No. 48-49/166.—Fowler Wood Engineering Constructions.

5590. The electrical installation in stores building, Bandiana Railhead Depot, Kiewa Hydro-Electric Scheme, to Quotation No. 5377.—E. R. Goodman.

5591. The supply of one 3-ton and two 7-ton derrick cranes, Morwell Project.—John M. Henderson and Co. Ltd.

5592. The supply of 204 tons mild steel flats for manufacture of grid plate, flooring, &c., to Quotation No. 5325.—Norman W. Hutchinson and Sons Pty. Ltd.

5593. The supply of two air-driven earth borer equipments, Yallourn and Kiewa Hydro-Electric Scheme, to Quotation No. 4155.—Ingersoll-Rand (Aust.) Pty. Ltd.

5594. The supply of spare parts for air compressors, to Quotation No. 5126.—Ingersoll-Rand (Aust.) Pty. Ltd.

5595. The supply of 30 battery chargers for mobile radio equipment, to Quotation No. 5761.—T. Kiernan and Son.

5596. The supply of 16,000 lengths (approximately 154,230 lb.) seamless brass condenser tubes for generating plant, Yallourn Power Station, to Quotation No. 5703.—Knox Schlapp Pty. Ltd.

5597. The supply of two Diesel engine-driven air compressors and associated spare parts, Kiewa Hydro-Electric Scheme, to Quotation No. 1844.—Knox Schlapp Pty. Ltd.

5598. The supply and installation of one electrically heated galvanizing kettle, with auxiliary equipment, to Quotation No. 6105A.—Major Electric Furnaces Pty. Ltd.

5599. The erection of foundations for, and completion of, 30 "Winwood Duplex 6" prefabricated houses, Yallourn North, to Specification No. 49-50/310.—Marr and Beards.

5600. The supply of 22 tipping bodies for fitment to Dodge chassis, to Quotation No. 4719.—McGrath Trailer Equipment Pty. Ltd.

5601. The supply of spare parts for sinking drill, Kiewa Hydro-Electric Scheme, to Quotation No. 5513.—McPherson's Ltd.

5602. The supply of eight 6,000-lb. fork lift trucks for the handling of stores and materials, to Specification No. 49-50/294.—Power Handling (Aust.) Ltd.

5603. The construction of 6-in. sewer main, East Newborough.—Prentice Bros. and Minson Pty. Ltd.

5604. The supply of 195 air cocks for boiler plant, Morwell Briquette Factory, to Quotation No. 5515.—Reeve and Marshall.

5605. The erection of five English pre-cut houses, Newborough, to Quotation No. 4496.—K. Rice.

5606. The excavation of overburden from western section of Yallourn North Open Cut, to Specification No. 49-50/257.—Roche Bros. Pty. Ltd.

5607. The supply of 20,000 feet concrete channelling, Yallourn, to Quotation No. 5974.—Rocla Ltd.

5608. The erection of five English pre-cut houses, Newborough, to Quotation No. 4496.—K. A. Sidebottom.

5609. The erection of 100 outbuildings for houses, Newborough, to Specification No. 49-50/304.—T. C. Stewart.

5610. The supply of one Allis Chalmers tractor, fitted with tournaloader and power control unit, to Quotation No. 6603.—Tutt, Bryant (Vic.) Pty. Ltd.

5611. The supply of spare parts for Allis Chalmers HD.14 tractors, Kiewa Hydro-Electric Scheme to Quotation No. 5149.—Tutt, Bryant (Vic.) Pty. Ltd.

5612. The supply of spare parts for Tournapulls, Yallourn, to Quotation No. 5552.—Tutt, Bryant (Vic.) Pty. Ltd.

5613. The complete overhaul of International tractor, Yallourn, to Quotation No. 812.—Victorian Industrial Sales and Service Pty. Ltd.

5614. The supply of 920 tubular heaters, Kiewa Hydro-Electric Scheme, to Quotation No. 5821.—Wilson and Barkin.

5615. The supply of electric mercury and sodium discharge lamps and accessories, for a period of twelve months, to Specification No. 49-50/275.—Condor Lamps (A'asia) Pty. Ltd.

5616. The supply of electric mercury and sodium discharge lamps and accessories, for a period of twelve months, to Specification No. 49-50/275.—Lawrence and Hanson Electrical (Vic.) Pty. Ltd.

5617. The supply of one sliding, surfacing, and screw-cutting lathe, for maintenance workshops, Yallourn, to Specification No. 49-50/180.—Demco Machinery Company Pty. Ltd.

5618. The supply of two sliding, surfacing, and screw-cutting lathes, for maintenance workshops, Yallourn, to Specification No. 49-50/180.—Norman N. Benson.

5619. The supply of 80 tires and 160 tubes for low loaders, prime movers, and Diamond trucks, to Quotation No. 5461.—Dunlop Rubber Australia Ltd.

5620. The supply of 100 tires for low loaders, prime movers, and Diamond trucks, to Quotation No. 5461.—Goodyear Tyre and Rubber Co. (Australia) Ltd.

5621. The supply of 60 tires and 320 tubes for low loaders, prime movers, and Diamond trucks, to Quotation No. 5461.—Olympic Tyre and Rubber Co. Ltd.

5622. The supply of twelve 10-ton, four 30-ton, and three 40-ton electrically-operated overhead travelling cranes, Yallourn, Morwell, Fishermen's Bend, and Bairnsdale Pole Depot, to Specification No. 49-50/147.—Malcolm Moore Pty. Ltd.

5623. The supply of five 5-ton and one 20-ton electrically-operated overhead travelling cranes, Yallourn Workshops, to Specification No. 49-50/147.—Stohtert and Pitt (Aust.) Pty. Ltd.

Approved by the Governor in Council, 30th May, 1950.—A. MAHLSTEDT, Clerk of the Executive Council.

AUCTION SALES ACT 1928.

CASTLEMAINE.—A Special Meeting of Justices for the Licensing of Auctioneers will be held at Castlemaine, on the 22nd June, 1950, to consider an application by Giosafatto Capicchiano, of 63 Forest-street, Castlemaine, for an auctioneer's licence. Dated this 31st May, 1950.—A. E. SCOTT, Clerk of Petty Sessions.

HIS Excellency the Governor notifies, for general information, that advice has now been received that Peter K. Constan, to whom provisional recognition was recently granted as Vice-Consul of the United States of America at Melbourne, will not be coming to Australia to assume that office.

T. T. HOLLOWAY,

Premier.

Premier's Department,
Melbourne, 26th May, 1950.

INDUSTRIAL AND PROVIDENT SOCIETIES ACT 1928.

NOTICE is hereby given that a society called the "Ferntree Gully and District Co-operative Society Limited" is registered, under the provisions of the above Act.

Given under my hand this 30th day of May, 1950.

A. E. RASMUSSEN,
Registrar of Friendly Societies.

ST. ARNAUD BOROUGH WATERWORKS TRUST.

RATING BY-LAW FOR THE YEAR 1950.

THE St. Arnaud Borough Waterworks Trust, in pursuance and exercise of the powers conferred by the Water Acts, doth hereby make a rate for the supply of water for domestic purposes of Three shillings and six pence in the pound of the annual municipal valuation of the lands and tenements liable to be rated within the St. Arnaud Borough Waterworks Trust Urban District.

Provided that in no case shall the rate per annum in respect of any tenement (other than land on which there is no building) be less than Three pounds, and in respect of land on which there is no building less than Ten shillings.

Such rates are made and shall be levied upon the occupiers or owners of the said lands and tenements for the year commencing 1st day of January, 1950, and shall be payable on 15th June, 1950, at the offices of the said Trust, Town Hall, St. Arnaud.

The maximum quantity of water to be supplied in any one year without further charge to any property rated by the Trust is hereby fixed at a quantity which, at a charge of One shilling and six pence per 1,000 gallons, would produce an amount equal to the amount of the rate levied on such property for the said year.

The charge for water supplied by measure to any property rated by the Trust in excess of such maximum quantity, computed as in the last preceding clause, is hereby fixed at One shilling and six pence per 1,000 gallons. The charge for water supplied by measure shall be payable, on demand, at the offices of the Trust.

Passed this 15th day of May, 1950.

(SEAL) A. J. PREECE, Chairman.
K. McDONALD, Commissioner.
F. E. BARTLETT, Secretary.

Approved by the Governor in Council,
30th May, 1950.

A. MAHLSTEDT,
Clerk of the Executive Council.

YACKANDANDAH WATERWORKS TRUST.

RATING BY-LAW FOR THE YEAR 1950.

THE Commissioners of the Yackandandah Waterworks Trust do hereby, pursuant to and in exercise of the powers and authorities conferred by the Water Acts, make the following By-law, viz.:-

1. General Rate.—A rate of One shilling and ten pence in the pound is hereby made for the year 1950 upon all property liable to be rated within the Waterworks District of the Trust, and such rate shall be based on the annual municipal valuation of the Shire of Yackandandah.

2. The minimum rate payable shall be Thirty-one shillings and two pence.

The foregoing rates shall be due and payable in one amount, in advance, on the first day of July, 1950.

Such person or persons as may from time to time be employed by the Trust for that purpose shall be authorized to demand, collect, sue for, and recover the rates hereby made.

Passed on the 11th day of May, 1950.

(SEAL) A. R. MCKIBBIN, Chairman.
A. S. RIDDINGTON, Commissioner.
Y. A. PERMEZEL, Secretary.

Approved by the Governor in Council,
30th May, 1950.

A. MAHLSTEDT,
Clerk of the Executive Council.

YARRAM WATERWORKS TRUST.

RATING BY-LAW FOR THE YEAR 1950.

THE Yarram Waterworks Trust, in pursuance and exercise of the powers conferred by the Water Acts, doth hereby make a rate for the supply of water for domestic purposes of One shilling and two pence in the pound of the annual municipal valuation of lands and tenements liable to be rated within the Yarram Urban District.

Provided that in no case shall the amount of rate payable per annum in respect of any tenement (other than land on which there is no building) be less than Twenty shillings, and in respect of any land on which there is no building less than Ten shillings.

Such rates are made and shall be levied upon the occupiers or owners of the said lands and tenements for the year commencing on the 1st day of January, 1950, and shall be payable on the 1st day of July, 1950, at the office of the said Trust.

The maximum quantity of water to be supplied in any one year without further charge to any property rated by the Trust is hereby fixed at the quantity which, at the charge of One shilling and three pence per 1,000 gallons, would produce an amount equal to the amount of the rate levied on such property for the said year.

The charge for water supplied by measure to any property rated by the Trust in excess of such maximum quantity, computed as in the last preceding clause, is hereby fixed at One shilling per 1,000 gallons.

The charge for water supplied by measure shall be payable, on demand, at the office of the Trust.

Dated this 18th day of May, 1950.

(SEAL) R. P. NICOL, Chairman.
A. W. CURRY, Secretary.

Approved by the Governor in Council,
30th May, 1950.

A. MAHLSTEDT,
Clerk of the Executive Council.

BALLAN WATERWORKS TRUST.

At the Executive Council Chamber, Melbourne, the thirtieth day of May, 1950.

PRESENT:

His Excellency the Governor of Victoria.
Mr. Oldham | Brigadier Tovell
Mr. Guye | Lieut.-Col. Hipworth.

ADDITIONAL LOAN OF £29,354.

UNDER the powers conferred by the Water Acts and all other powers enabling him in that behalf, His Excellency the Governor of the State of Victoria, by and with the advice of the Executive Council of the said State, doth hereby grant an additional loan of Twenty-nine thousand three hundred and fifty-four pounds (£29,354) to the Ballan Waterworks Trust for construction of reservoir, service basin, pipe mains, and purchase and installation of meters, as set forth in the detailed statement bearing the date of 24th May, 1950, and verified under the seal of the State Rivers and Water Supply Commission.

The loan hereby granted shall be subject to the provisions of the Water Acts.

And the Honorable Henry Edward Bolte, His Majesty's Minister of Water Supply for the State of Victoria, shall give the necessary directions herein accordingly.

A. MAHLSTEDT,
Clerk of the Executive Council.

LONGWOOD WATERWORKS TRUST.

At the Executive Council Chamber, Melbourne, the thirtieth day of May, 1950.

PRESENT:

His Excellency the Governor of Victoria.
Mr. Oldham | Brigadier Tovell
Mr. Guye | Lieut.-Col. Hipworth.

ADDITIONAL LOAN OF £12,000.

UNDER the powers conferred by the Water Acts and all other powers enabling him in that behalf, His Excellency the Governor of the State of Victoria, by and with the advice of the Executive Council of the said State, doth hereby grant an additional loan of Twelve thousand pounds to the Longwood Waterworks Trust for construction of new reservoir, pipe mains and service basin, reconstruction of reticulation, and the purchase and installation of meters, as set forth in the detailed statement bearing the date of 24th May, 1950, and verified under the seal of the State Rivers and Water Supply Commission.

The loan hereby granted shall be subject to the provisions of the Water Acts.

And the Honorable Henry Edward Bolte, His Majesty's Minister of Water Supply for the State of Victoria, shall give the necessary directions herein accordingly.

A. MAHLSTEDT,
Clerk of the Executive Council.

MOE WATERWORKS TRUST.

At the Executive Council Chamber, Melbourne, the thirtieth day of May, 1950.

PRESENT:

His Excellency the Governor of Victoria.	
Mr. Oldham	Brigadier Tovell
Mr. Guye	Lieut.-Col. Hipworth.

AMENDMENT OF ORDER.

UNDER the powers conferred by the Water Acts and all other powers enabling him in that behalf, His Excellency the Governor of the State of Victoria, by and with the advice of the Executive Council of the said State, doth hereby amend as follows the Order in Council made on the 17th day of June, 1947, as amended by the Orders in Council made on the 9th day of March, 1948, the 16th day of May, 1949, and the 4th day of April, 1950, and published in the *Government Gazette* dated 25th day of June, 1947, the 17th day of March, 1948, the 25th day of May, 1949, and the 5th day of April, 1950, respectively, fixing the limit of the overdraft to be obtained by the Moe Waterworks Trust:—

For the expression "at an amount not to exceed at any one time the sum of Twelve thousand pounds (£12,000)" there shall be substituted the expression "at an amount not to exceed at any one time the sum of Twenty thousand pounds (£20,000)."

And the Honorable Henry Edward Bolte, His Majesty's Minister of Water Supply for the State of Victoria, shall give the necessary directions herein accordingly.

A. MAHLSTEDT,
Clerk of the Executive Council.

FIRST MILDURA IRRIGATION TRUST.

At the Executive Council Chamber, Melbourne, the thirtieth day of May, 1950.

PRESENT:

His Excellency the Governor of Victoria.	
Mr. Oldham	Brigadier Tovell
Mr. Guye	Lieut.-Col. Hipworth.

ADDITIONAL LOAN OF £48,000.

UNDER the powers conferred by the Mildura Irrigation and Water Trusts Acts and all other powers enabling him in that behalf, His Excellency the Governor of the State of Victoria, by and with the advice of the Executive Council of the said State, doth hereby grant an additional loan of Forty-eight thousand pounds (£48,000) to the First Mildura Irrigation Trust for the construction of channels, pipe lines, and pumping plant, as set forth in the detailed statement bearing date the 24th day of May, 1950, and verified under the seal of the State Rivers and Water Supply Commission.

The loan hereby granted shall be subject to the provisions of the Mildura Irrigation and Water Trusts Acts.

And the Honorable Henry Edward Bolte, His Majesty's Minister of Water Supply for the State of Victoria, shall give the necessary directions herein accordingly.

A. MAHLSTEDT,
Clerk of the Executive Council.

DANDENONG SEWERAGE AUTHORITY.

At the Executive Council Chamber, Melbourne, the thirtieth day of May, 1950.

PRESENT:

His Excellency the Governor of Victoria.	
Mr. Oldham	Brigadier Tovell
Mr. Guye	Lieut.-Col. Hipworth.

CONSENT TO BORROWING £9,000.

UNDER the powers conferred by the Sewerage Districts Acts and all other powers enabling him in that behalf, His Excellency the Governor of the State of Victoria, by

and with the advice of the Executive Council of the said State, doth hereby consent to the Dandenong Sewerage Authority borrowing, by the issue of debentures, a further sum of Nine thousand pounds (£9,000) to defray the cost of sewer extensions, as set forth in the detailed statement dated the 22nd May, 1950.

And the Honorable Henry Edward Bolte, His Majesty's Minister of Water Supply for the State of Victoria, shall give the necessary directions herein accordingly.

A. MAHLSTEDT,
Clerk of the Executive Council.

BENDIGO SEWERAGE AUTHORITY.

At the Executive Council Chamber, Melbourne, the thirtieth day of May, 1950.

PRESENT:

His Excellency the Governor of Victoria.	
Mr. Oldham	Brigadier Tovell
Mr. Guye	Lieut.-Col. Hipworth.

EXTENT OF SEWERAGE DISTRICT INCREASED.

UNDER the powers conferred by the Sewerage Districts Acts and all other powers enabling him in that behalf, His Excellency the Governor of the State of Victoria, by and with the advice of the Executive Council of the said State, doth hereby declare, order, and direct as follows:—

That the extent of the Sewerage District of the Bendigo Sewerage Authority be increased by adding to the same the lands comprised within the boundaries described in the Schedule hereto, and as on and from the date hereof the extent of such district shall be deemed to be increased accordingly.

SCHEDULE.

Commencing at a point on the north-western boundary of Crown allotment 1, section 23, Township of Kangaroo Flat, Parish of Sandhurst, County of Bendigo, such point being the intersection of the said north-western boundary of Crown allotment 1 and the southern boundary of the existing Bendigo Sewerage District; thence south-westerly, southerly, and south-westerly along the south-eastern, eastern, and south-eastern boundaries of High-street to the most westerly angle of Crown allotment 6, section 11, Township of Kangaroo Flat; thence south-easterly along the south-western boundaries of the said Crown allotment 6 and Crown allotment 11 and by a line being a continuation thereof across Church-street to a point on the south-eastern boundary of Church-street; thence south-westerly along the said south-eastern boundary of Church-street to a point on the south-western boundary of the Township of Kangaroo Flat; thence north-westerly along the south-western boundary of the Township of Kangaroo Flat and by a line being a continuation thereof across High-street to a point on the north-western boundary of High-street; thence north-easterly along the said north-western boundary of High-street to its intersection with the south-western boundary of Bank-street; thence north-westerly along the said south-western boundary of Bank-street to a point in line with the south-eastern boundary of Crown allotment 13, section 10, Township of Kangaroo Flat; thence north-easterly by a line across Bank-street to the most southerly angle of the said Crown allotment 13; thence north-easterly along the south-eastern boundaries of the said Crown allotment 13 and Crown allotment 12 to the most easterly angle of the said Crown allotment 12; thence north-westerly along the north-eastern boundary of the said Crown allotment 12 to a point in line with the north-western boundary of Carpenter-street; thence north-easterly along the said north-western boundary of Carpenter-street to its intersection with the south-western boundary of Bullock Creek-road; thence north-westerly along the said south-western boundary of Bullock Creek-road to its intersection with the north-western boundary of the Bendigo Creek Channel Reserve; thence north-easterly along the said north-western boundary of the Bendigo Creek Channel Reserve to the most easterly angle of Crown allotment 11, section 16, Township of Kangaroo Flat; thence north-westerly along the north-eastern boundary of the said Crown allotment 11 to the most southerly angle of Crown allotment 17; thence north-easterly along the south-eastern boundaries of the said Crown allotment 17 and Crown allotment 16 to a point on the south-western boundary of Crown allotment 18A; thence south-easterly and north-easterly along the south-western and

south-eastern boundaries of the said Crown allotment 18A to its most easterly angle; thence northerly by a line across a road to the most southerly angle of Crown allotment 82A; thence north-easterly along the south-eastern boundary of the said Crown allotment 82A to its most easterly angle; thence south-easterly and north-westerly along the south-western and north-eastern boundaries of Crown allotment 82a to its most northerly angle; thence north-westerly by a line across a road and section 8 to the most southerly angle of Crown allotment 2, section 8; thence north-easterly along the south-eastern boundary of the said Crown allotment 2 to its most easterly angle; thence north-easterly along the south-eastern boundaries of Crown allotments 6 and 7 to the most easterly angle of the said Crown allotment 7; thence north-easterly by a line across a road to the most southerly angle of Crown allotment 9; thence north-easterly along the south-easterly boundaries of the said Crown allotment 9 and Crown allotments 10 and 11 to the most easterly angle of the said Crown allotment 11; thence south-easterly, north-easterly, and north-westerly along the south-western, south-eastern, and north-eastern boundaries of Crown allotment 77 to the most southerly angle of Crown allotment 76; thence north-easterly along the south-eastern boundary of the said Crown allotment 76 to its most easterly angle; thence easterly by a line across a road to the most southerly angle of Crown allotment 23A; thence north-easterly along the south-eastern boundary of the said Crown allotment 23A to its most easterly angle; thence south-easterly and north-easterly along the south-western and south-eastern boundaries of Crown allotment 25A to its most easterly angle; thence across a road by a line being a continuation of the south-eastern boundary of the said Crown allotment 25A to a point on the southern boundary of the existing Bendigo Sewerage District; thence easterly along the southern boundary of the existing Bendigo Sewerage District to the point of commencement—all of which boundaries are shown on a plan approved by the Governor in Council, and deposited in the office of the State Rivers and Water Supply Commission, Melbourne.

And the Honorable Henry Edward Bolte, His Majesty's Minister of Water Supply for the State of Victoria, shall give the necessary directions herein accordingly.

A. MAHLSTEDT,
Clerk of the Executive Council.

DEPARTMENT OF LANDS AND SURVEY.

At the Executive Council Chamber, Melbourne, the thirtieth day of May, 1950.

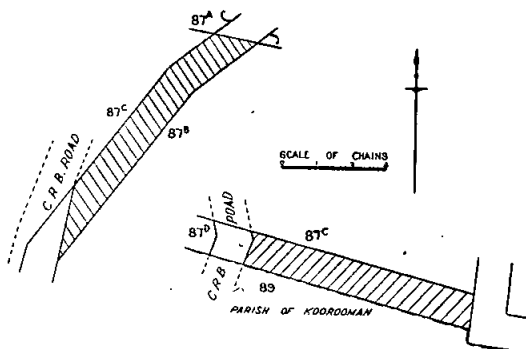
PRESENT:

His Excellency the Governor of Victoria.	
Mr. Oldham	Brigadier Tovell
Mr. Guye	Lieut.-Col. Hipworth.

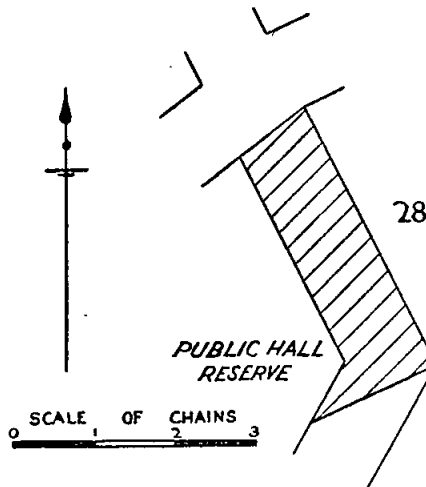
UNUSED AND UNMADE ROADS CLOSED.

HIS Excellency the Governor of the State of Victoria, by and with the advice of the Executive Council thereof, doth hereby direct that, in pursuance of the provisions of section 304 of the Land Act 1928 (No. 3709), the unused and unmade roads referred to hereunder be closed, viz.:

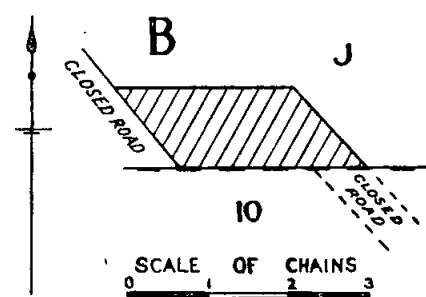
Parish of Allambee, County of Buln Buln, being the roads indicated by hachure on plan hereunder.—(A.177(11) (K.173(3) (Misc. 2366).



Parish of Wiridjil, County of Heytesbury, being the road indicated by hachure on plan hereunder.—(W.367(3) (Rs.4877).



Town of Keilor, Parish of Dousta Galla, County of Bourke, being the road indicated by hachure on plan hereunder.—(K.24(2) (Misc. 2314).



And the Honorable Rutherford Campbell Guthrie, His Majesty's Commissioner of Crown Lands and Survey for the State of Victoria, shall give the necessary directions herein accordingly.

A. MAHLSTEDT,
Clerk of the Executive Council.

THE CONSTITUTION ACT AMENDMENT ACTS.

At the Executive Council Chamber, Melbourne, the thirtieth day of May, 1950.

PRESENT:

His Excellency the Governor of Victoria.	
Mr. Oldham	Brigadier Tovell
Mr. Guye	Lieut.-Col. Hipworth.

REVOCATION OF APPOINTMENT OF A POLLING PLACE FOR THE ELECTORAL DISTRICT OF GRANT.

IN pursuance of the provisions contained in The Constitution Act Amendment Acts, His Excellency the Governor of the State of Victoria, by and with the advice of the Executive Council thereof, doth hereby revoke the appointment of Corio as a Polling Place for the Geelong North Subdivision of the Electoral District of Grant.

And the Honorable William Watt Leggatt, His Majesty's Chief Secretary for the State of Victoria, shall give the necessary directions herein accordingly.

A. MAHLSTEDT,
Clerk of the Executive Council.

DEPARTMENT OF LANDS AND SURVEY.

At the Executive Council Chamber, Melbourne, the thirtieth day of May, 1950.

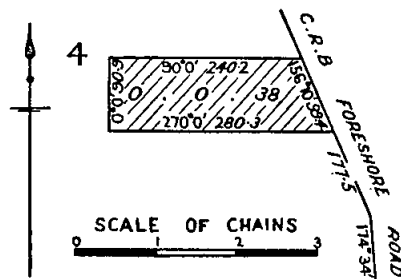
PRESENT:

His Excellency the Governor of Victoria.
 Mr. Oldham | Brigadier Tovell
 Mr. Guye | Lieut.-Col. Hipworth.

LAND TEMPORARILY RESERVED.

HIS Excellency the Governor of the State of Victoria, by and with the advice of the Executive Council thereof, doth hereby, in pursuance of the provisions of the *Land Act 1928*, reserve, temporarily, and also, except from occupation for mining purposes under any miner's right, the land hereinafter described:—

MALLACOOTA.—Site for Government Buildings, 38 perches, Parish of Mallaçoota, County of Croajingolong, as indicated by hachure on plan hereunder.—(M.550⁽⁶⁾), (Rs.6546).



And the Honorable Rutherford Campbell Guthrie, His Majesty's Commissioner of Crown Lands and Survey for the State of Victoria, shall give the necessary directions herein accordingly.

A. MAHLSTEDT,
 Clerk of the Executive Council.

FACTORIES AND SHOPS ACTS.

At the Executive Council Chamber, Melbourne, the sixth day of June, 1950.

PRESENT:

His Excellency the Governor of Victoria.
 Lieut.-Col. Leggatt | Mr. Guye.
 Lieut.-Col. Hipworth |

APPOINTMENT OF INSPECTOR OF FACTORIES AND SHOPS.

WHEREAS the under-mentioned person has been appointed, pursuant to the *Public Service Act 1946*, to the position of Inspector of Factories and Shops (Junior), Technical and General Division in the Department of Labour: Now, therefore, His Excellency the Governor of the State of Victoria, by and with the advice of the Executive Council thereof, by virtue of the powers conferred by the *Factories and Shops Acts*, doth hereby appoint the said person to be an Inspector of Factories and Shops under the said *Factories and Shops Acts*—

WARD, REGINALD.

And the Honorable Allan Elliott-McDonald, His Majesty's Minister of Labour for the State of Victoria, shall give the necessary directions herein accordingly.

A. MAHLSTEDT,
 Clerk of the Executive Council.

MARRIAGE ACT 1928.

At the Executive Council Chamber, Melbourne, the sixth day of June, 1950.

PRESENT:

His Excellency the Governor of Victoria.
 Lieut.-Col. Leggatt | Mr. Guye.
 Lieut.-Col. Hipworth |

DECLARATION OF RELIGIOUS DENOMINATION.

HIS Excellency the Governor of the State of Victoria, in the Commonwealth of Australia, by and with the advice of the Executive Council of the said State and in pursuance of the provisions of section 6 of the *Marriage Act 1928*, doth by this Order declare the

Wesleyan Methodist Church of Australia
 as a religious denomination for the purposes of the said Act.

And the Honorable William Watt Leggatt, His Majesty's Chief Secretary for the State of Victoria, shall give the necessary directions herein accordingly.

A. MAHLSTEDT,
 Clerk of the Executive Council.

LANDLORD AND TENANT ACTS.

At the Executive Council Chamber, Melbourne, the 6th day of June, 1950.

PRESENT:

His Excellency the Governor of Victoria.
 Lieut.-Col. Leggatt | Mr. Guye.
 Lieut.-Col. Hipworth |

ORDER EXCLUDING CERTAIN PREMISES FROM THE OPERATION OF PARTS OF THE LANDLORD AND TENANT ACT 1948.

IN pursuance of the powers conferred upon him by the *Landlord and Tenant Act 1948*, as amended by the *Landlord and Tenant (Amendment) Act 1948*, His Excellency the Governor of Victoria, by and with the advice of the Executive Council thereof, doth hereby declare that the several premises described hereunder shall be excluded from the operation of such of the provisions contained in the *Landlord and Tenant Act 1948* as are set out hereunder, that is to say:—

From the Provisions of Part II.

Numbers 42 and 44 Firebrace-street, Horsham.

From the Provisions of Part V.

Number 620 Victoria-street, North Melbourne.

Number 35 Maitland-street, Geelong West.

Numbers 8 and 10 Victoria-street, North Richmond.

And the Honorable Trevor Donald Oldham, His Majesty's Attorney-General in and for the State of Victoria, shall give the necessary directions herein accordingly.

A. MAHLSTEDT,
 Clerk of the Executive Council.

APPROACHING LAND SALES.

SALES of Crown lands, in fee-simple, will be held at the under-mentioned places and dates, viz.:-

	No. of Gazette
Bendigo.—Thursday, 6th July, 1950	518
Castlemaine.—Wednesday, 14th June	424
Daylesford.—Wednesday, 14th June	424
Korumburra.—Friday, 30th June, 1950	460
Korumburra.—Friday, 30th June, 1950	480
Rutherglen.—Thursday, 6th July, 1950	518
Warragul.—Wednesday, 21st June, 1950	460

SALES OF CROWN LANDS BY AUCTION.

The lands will be sold in fee-simple, and subject to the covenants, conditions, exceptions, and reservations directed by the Governor in Council by an Order in Council dated the 5th August, 1930, and published in the *Government Gazette* of the 8th August, 1930, varied as herein.

A deposit of at least twelve and a half per centum of the price at which each lot is sold must be paid by the purchaser at the time of sale, and all such payments shall be made in bank notes or cheques approved by the officer conducting the sale, and the residue of such price will be payable in equal instalments, in accordance with the scale hereunder, on the last day of each successive period of six months from the time of sale, or, if the purchaser choose, at any earlier time or times; such residue of the purchase money shall bear interest at the rate of Five pounds per centum per annum, to be computed with respect to each instalment for the period which has elapsed between the time of sale and the time of the payment of such instalment. If the residue of the price be paid within thirty days after the time of the sale no interest will be payable thereon.

The Governor in Council may allow a transfer of the purchaser's interest to an approved person at any time before the final payment of the purchase money is made. The fee for transfer shall be One pound and such transfer will be subject to payment of stamp duty.

SCALE OF PAYMENTS OF RESIDUE.

£20 and under, 6 instalments.
Over £20, and not exceeding £50, 8 instalments.
Over £50, and not exceeding £100, 10 instalments.
Over £100, and not exceeding £200, 12 instalments.
Over £200, and not exceeding £300, 14 instalments.
Over £300, and not exceeding £400, 16 instalments.
Over £400, and not exceeding £500, 18 instalments.
Over £500, 20 instalments.

FEES, ETC.

The fees payable for Crown grant and assurance (One halfpenny for each pound of purchase price) must be paid with the balance of purchase money. The following is the scale:—

50 acres and under, £1 10s.
Over 50 acres, £2.
Where the purchase money does not exceed £5, the grant fee is £1.

Valuations of improvements (if not purchased by the owner thereof), and charges for survey must also be paid at the time of sale.

R. C. GUTHRIE,

Commissioner of Crown Lands and Survey.

Office of Lands and Survey,
Melbourne, 5th June, 1950.

RUTHERGLEN.—Sale (No. 10796) of Crown lands in fee-simple by auction will be held at the COURT HOUSE, RUTHERGLEN, on THURSDAY, the 6th JULY, 1950, at TEN o'clock a.m. To be conducted by C. A. GOURLAY, Land Officer, Beechworth. Auctioneers: WATTS, TURNBULL, & CO., Rutherglen.

RUTHERGLEN, PARISH OF LILLIPUT, COUNTY OF BOGONG.

Fronting High-street.

Upset price £10 the lot. Charge for survey £5.

Lot 1. Area 1r. 9p. (subject to survey), allotment 12 of section 8. One month allowed for removal of fencing.

PARISH OF LILLIPUT, COUNTY OF BOGONG.

In North-east of Parish.

Upset price £3 10s. the lot. Charge for survey £5.

Lot 2. Area 1r. 24p., allotment 4F of section 3.

PARISH OF CARLYLE, COUNTY OF BOGONG.

Three-quarters of a mile north of Rutherglen Railway Station.

Upset price £5 the lot. Charge for survey £6 6s.

Lot 3. Area 1r. 38p., allotment 4F of section 17. One month allowed to remove improvements.

PARISH OF BYAWATHA, COUNTY OF BOGONG.

In South of Parish.

Upset price £87 10s. the lot. Charge for survey £5 17s. 6d.

Lot 4. Area 8a. 2r. 39p., allotment 32 of section A. Valuation of improvements £1,500 (W. F. De La Rue).

BENDIGO.—Sale (No. 10797) of Crown lands in fee-simple by auction will be held at the ROOMS of JAS. ANDREW & CO., 7 QUEEN-STREET, BENDIGO, on THURSDAY, the 6th JULY, 1950, at TEN o'clock a.m. To be conducted by H. J. HENKEL, Land Officer. Auctioneers: JAS. ANDREW & CO., 7 Queen-street, Bendigo.

BENDIGO, PARISH OF SANDHURST, COUNTY OF BENDIGO.

At North Bendigo fronting Holmes-road.

Upset price £1,100 the lot. Charge for survey £21 7s. 6d.

Lot 1. Area 54a. 3r. 29p., allotment 15A of section K.

Fronting Havlin-street West.

Upset price £230 the lot. Charge for survey £5 10s.

Lot 2. Area 36 perches, allotment 211E of section H.

Fronting Clark-street South.

Upset price £75 the lot. Charge for survey £7 10s.

Lot 3. Area 8 perches (subject to survey), allotment 11A of section 115C.

Fronting Moran-street.

Upset price £45 per lot. Charge for survey £3 15s. per lot.

Lot 4. Area 33 perches (subject to survey), allotment 520F of section K.

Lot 5. Area 33 perches (subject to survey), allotment 520G of section K.

Lot 6. Area 33 perches (subject to survey), allotment 520H of section K.

Lot 7. Area 33 perches (subject to survey), allotment 520J of section K.

Fronting Marong-road.

Upset price £25 the lot. Charge for survey £5 5s.

Lot 8. Area 2r. 11p., allotment 35A of section L. Valuation of improvements £2 10s. (K. Langdon).

HEATHCOTE, PARISH OF HEATHCOTE, COUNTY OF DALHOUSIE.

In West of Town.

Upset price £5 per lot. Charge for survey £4 per lot.

Lot 9. Area 1r. 4p., allotment 3 of section 22.

Lot 10. Area 1r. 4p., allotment 4 of section 22.

BOROUGH OF EAGLEHAWK, PARISH OF NERRING, COUNTY OF BENDIGO.

Fronting Letheby's-road.

Upset price £10 the lot. Charge for survey £8 10s.

Lot 11. Area 2 acres (subject to survey), allotment 352C of section A. Valuation of improvements £223 (W. Larson).

Fronting Sailor's Gully-road.

Upset price £15 the lot. Charge for survey £8 10s.

Lot 12. Area 2a. 3r. (subject to survey), allotment 350B of section A.

PARISH OF SEDGWICK, COUNTY OF BENDIGO.

In the South-west of the Parish.

Upset price £3 the lot. Charge for survey £6 2s. 6d.

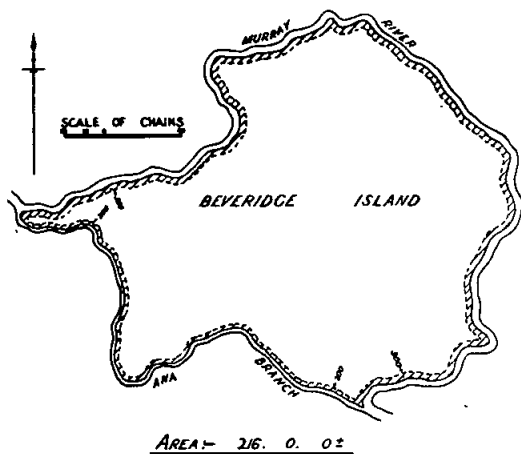
Lot 13. Area 1a. 2r. (subject to survey), allotment 5A² of section 14. Valuation of improvements £13 (W. Drechsler).

LAND PROPOSED TO BE PERMANENTLY RESERVED.

The following notice was published 1° on the 24th May, 1950, pursuant to an Order of the 16th May, 1950.

IN pursuance of the provisions of the Land Act 1928, notice is hereby given that it is the intention of the Governor in Council to permanently reserve and except from occupation for mining purposes under any miner's right, the land hereunder described, viz:—

TYNTYNDER.—Land to be permanently reserved as a site for Public purposes, 216 acres, more or less, Parish of Tyntynder, County of Tatchera, as indicated by hachure on plan hereunder.—(T.244⁽¹⁰⁾) (Rs.5634).



R. C. GUTHRIE,
Commissioner of Crown Lands and Survey.

PROPOSED REVOCATION OF TEMPORARY RESERVATIONS OF LANDS BY ORDERS IN COUNCIL.

IN pursuance of the provisions of the Land Act 1928, notice is hereby given that it is the intention of the Governor in Council to revoke the temporary reservations of lands by the Orders in Council hereunder referred to, viz:—

The following Notices were published 1° on the 7th June, 1950, pursuant to Orders of the 30th May, 1950.

SANDFORD.—The temporary reservation, by Order in Council of the 25th August, 1873, of 7 acres 3 roods 8 perches of land, being allotment 3B, section 7, in the Parish of Sandford, as a site for Public purposes, revoked as to part by Order of the 31st July, 1893, is about to be revoked so far as the balance thereof containing 3 acres 3 roods 5 perches is concerned.—(S.234⁽¹⁾) (Rs.5943).

EURANDELONG.—The temporary reservation, by Order in Council of the 4th July, 1917, of 1 acre of land in the Parish of Eurandelong, as a site for a State School, in addition to the site temporarily reserved therefor by Order of the 22nd June, 1874, is about to be revoked.—(E.107⁽³⁾) (Rs.1307).

R. C. GUTHRIE,
Commissioner of Crown Lands and Survey.

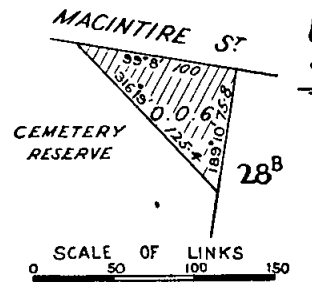
PROPOSED REVOCATIONS OF ORDER IN COUNCIL SETTING APART CERTAIN LAND.

IN pursuance of the provisions of the Land Act 1928, notice is hereby given that it is the intention of the Governor in Council to revoke the setting apart of the under-mentioned land by the Order in Council hereunder referred to, viz:—

The following Notice was published 1° on the 7th June, 1950, pursuant to Order of the 30th May, 1950.

SEYMOUR.—The setting apart, under the provisions of Act of Council, 17 Victoria, No. 12, of 10 acres (2 acres 2 roods, more or less, now remaining) of land in the Township of Seymour as a site for a Cemetery, is about

to be revoked so far only as the portion containing 6 perches, indicated by hachure on plan hereunder, is concerned.—(S.261⁽³⁾) (C.52934).



R. C. GUTHRIE,
Commissioner of Crown Lands and Survey.

ADDITIONAL REGULATION FOR THE CARE, PROTECTION, AND MANAGEMENT OF THE RESERVE FOR PUBLIC RECREATION AND PICNIC GROUND AT BEACONSFIELD, KNOWN AS THE "BEACONSFIELD RECREATION RESERVE."

WHEREAS by section 181 of the Land Act 1928, as re-enacted by section 9 of the Land Act 1941, power is given to the Board of Land and Works to make Regulations in respect of the care, protection, and management of any Crown land which has been reserved under the Land Acts for any public purpose whatsoever, and which has not been conveyed to or vested in trustees, and for the further purposes as enacted: Now therefore the Board of Land and Works, in pursuance of the powers conferred as aforesaid, doth hereby make the following Regulation in respect of the land temporarily reserved by Order in Council of 21st October, 1935, as a site for Public Recreation and Picnic Ground in the Parish of Pakenham, and known as the "Beaconsfield Recreation Reserve," hereinafter referred to as the "Reserve," in addition to the Regulations made by the said Board on 3rd June, 1936, in respect of the said Reserve:—

REGULATION.

17. No person shall—
- (a) Remain in the Reserve who behaves in a disorderly, unseemly, or offensive manner, or creates or takes part in any disturbance.
 - (b) Enter or remain in the Reserve whilst in a state of intoxication.
 - (c) Bring any intoxicating liquor on to the Reserve without the consent of the Committee of Management first obtained.

Every person who contravenes or fails to comply with this Regulation shall, in accordance with the provisions of section 181 of the Land Act 1928, as re-enacted by section 9 of the Land Act 1941, for each offence be liable to a penalty of not more than Five pounds, and every person who contravenes or fails to comply with such Regulation and who, after he has been warned by any bailiff of Crown lands or by any member of the Police Force, does not desist therefrom may be forthwith apprehended by such bailiff or member of the Police Force and taken before some justice to be dealt with according to law, and shall be liable to a penalty of not more than Ten pounds.

The common seal of the Board of Land and Works was hereunto affixed this 31st day of May, 1950, in the presence of—

(SEAL) R. C. GUTHRIE, President.
J. E. HUNTER, Member.

(Corres. Rs.5544.)

REGULATION FOR THE CARE, PROTECTION, AND MANAGEMENT OF THE BIRREGURRA PUBLIC PARK AND RECREATION RESERVE.

WHEREAS by section 181 of the Land Act 1928, as re-enacted by section 9 of the Land Act 1941, power is given to the Board of Land and Works to make Regulations in respect of the care, protection, and management of any Crown land which has been reserved under the Land Acts for any public purpose whatsoever, and which has not been conveyed to or vested in trustees, and for the further purposes as enacted, and whereas by sub-section 1 (e) of the said section 181 of the Land Act 1928 power is given to the Board of Land and Works to apply all or any of the Regulations so made to any

other land reserved as aforesaid and not conveyed to or vested in trustees, in any case where the persons, council, or body comprising the Committee of Management of such first-mentioned land are or is also appointed to be the Committee of Management of such other land: Now therefore the Board of Land and Works, in pursuance of the powers conferred, doth hereby make the following Regulation:—

"The Regulations made by the Board on the 5th September, 1929 (as notified in the *Government Gazette* of 11th September, 1929), for the care, protection, and management of the land in the Parish and Township of Birregurra temporarily reserved by Order in Council dated the 8th June, 1926, as a site for a Public Park and Recreation, are hereby applied to the land in the Township of Birregurra temporarily reserved by Order in Council dated the 18th April, 1950, as a site for Public Park and Public Recreation, in addition to and adjoining the first-mentioned site."—(Rs.3080.)

The common seal of the Board of Land and Works was hereunto affixed this 31st day of May, 1950, in the presence of—

(SEAL) R. C. GUTHRIE, President.
J. E. HUNTER, Member.

SOLDIER SETTLEMENT ACT 1946.

IN pursuance of section 88 (1) of the *Soldier Settlement Act 1946*, I, Rutherford Campbell Guthrie, Commissioner of Crown Lands and Survey, hereby declare that the farming land specified in the Schedule hereunder to be land suitable for soldier settlement.

SCHEDULE.

All those pieces of land:—

- (1) Allotments 42A, 42B, 43A, 43B, 46, 46A, Parish of Burtwarrah, comprising 267 acres 3 roods 16 perches, title volume 6265, folio 1252979.
- (2) Part Crown portion 40, Parish of Burtwarrah, comprising 12 acres 3 roods 10 perches, title volume 6265, folio 1252980.
- (3) Allotment 16A, Parish of Burtwarrah, comprising 6 acres 2 roods, title volume 6265, folio 1252981.
- (4) Allotments 15, 16, 44, 45, and 50, Crown portions 2, 3, 4, 5, 6, 8, 9, 10, 11, 12, 13, 14, 37, 38, 49, 69, and 70, and parts 71, 72, 73, Parish of Burtwarrah, and Crown suburban allotment 1, Township of Teesdale, Crown portions 6, 7, 8, 9, 10, 11, 12, 41, 42, 43, 44, 45, 46, 47, 48, 50, 51, 53, 54, 57, and parts of 3, 4, 5, 18A, 38, 39, 40, 49, 52, 58, and part of Crown section 16A, and a former Government road, Parish of Carrah, Crown allotments A, B, C, D, section 11, and parts of Crown portions A, B, and E, section 12, part of section 25, the whole of Crown allotments A, B, C, D, and E, section 26, Parish of Murghe-Boluc, Crown allotments 118A, 118C, 122A, Parish of Waddallah, comprising 10,091 acres 2 roods 11 perches, title volume 6265, folio 1252977.

Signed at Melbourne this 6th day of June, 1950.

R. C. GUTHRIE,
Commissioner of Crown Lands and Survey.

COMMITTEES OF MANAGEMENT OF RESERVES.

APPOINTMENTS.

WHEREAS by section 184 of the *Land Act 1928* it is provided that it shall be lawful for the Governor in Council or the Board of Land and Works to appoint and remove any number of persons, not less than three, or any municipal council, or the governing body of any corporation, to be a Committee of Management of any specified Crown land reserved either temporarily or permanently for any of the purposes set out in section 14 of the *Land Act 1928*, and not conveyed to or vested in trustees: Now therefore the Board of Land and Works doth hereby appoint the under-mentioned persons to be members of the Committee of Management of the Reserves named:—

"AXEDALE RECREATION RESERVE."

Samuel Doak, William Nash Lienhop, James George Mill, Thomas Joseph O'Dwyer, and John Joseph O'Brien as a Committee of Management for a period of three (3) years from 12th May, 1950, of the remaining portions of the lands permanently reserved by Orders in Council dated the 10th March, 1873, and 4th May, 1914, as sites for Racecourse and General Recreation purposes in the Town of Axedale, and known as the "Axedale Racecourse and Recreation Reserve."—(Corres. Rs.19.)

No. 518.—5482/50.—2

"BELGRAVE CENTRAL PARK RESERVE."

Gwendoline Elvery, Philip Edward, Charles James Beasley, Alexander Humphrey Hall, Desmond Aloysius Ditchburn, Alfred Ernest Steele, and Claude Brian Crook as a Committee of Management for a period of three (3) years from 18th May, 1950, of the land temporarily reserved by Order in Council dated the 15th December, 1925, as a site for Public purposes in the Parish of Narree Worrان, and known as the "Belgrave Central Park Reserve."—(Corres. Rs.4028.)

"BUSHFIELD RECREATION RESERVE."

Edwin Carter, Benjamin Brodie, Albert Trigg, Leonard McKenna, John Wilson, Harold J. Grundy, and John Dwyer as a Committee of Management for a period of three (3) years from 16th June, 1950, of the land temporarily reserved by Order in Council dated the 12th February, 1877, as a site for Recreation in the Parish of Wangoom, and known as the "Bushfield Recreation Reserve."—(Corres. Rs.2164.)

"DELEGATE RIVER PUBLIC HALL RESERVE."

William Josiah John Allen, William Russell Taylor, and Henry Coulson Commons as a Committee of Management for a period of three (3) years from 6th May, 1950, of the land temporarily reserved by Order in Council dated 19th October, 1937, as a site for a Public Hall in the Parish of Cabanandra, and known as the "Delegate River Public Hall Reserve."—(Corres. Rs.4732.)

"INGLEWOOD MUNICIPAL DEPOT RESERVE."

The Council of the Borough of Inglewood as the Committee of Management of the land in the Town of Inglewood, Parish of Inglewood, temporarily reserved by Order in Council dated 7th March, 1950, as a site for a Municipal Depot, in addition to and adjoining the site temporarily reserved therefor by Order in Council of 26th April, 1949.—(Corres. Rs.6346.)

"MERBEIN RACECOURSE AND RECREATION RESERVE."

John Joseph O'Halloran, Frederick John James Holcombe, Michael Ernest O'Halloran, Michael O'Halloran, Edward Cox, Arthur William Sydney Hayles, and William Crosbie as the Committee of Management for a period of three (3) years from 28th March, 1950, of the land temporarily reserved by Order in Council dated 27th May, 1930, as a site for Racecourse and Public Recreation in the Parish of Merbein, and known as the "Merbein Racecourse and Public Recreation Reserve."—(Corres. Rs.4000.)

"NOOJEE RECREATION RESERVE."

James Findlay, Francis George Kollosche, George Harvey Dunn, Beverley Bowen Rockliff Keene, Francis McMahon O'Brien, James Arthur Suckling, and Alexander Johnston as a Committee of Management for a period of three (3) years from 5th October, 1949, of the lands temporarily reserved by Orders in Council dated 20th January, 1923, as a site for Recreation purposes, and 20th May, 1927, as a site for Public Recreation, in the Township of Noojee, Parish of Neerim, and known as the "Noojee Recreation Reserve."—(Corres. Rs.2660.)

"POMPAPIEL RECREATION RESERVE."

Leonard Laird, John Christopher Strachan, Harold Frederick Humbert, Herbert Andrew Lister, James Henry Howe, Ronald William Bogie, Leonard Raymond Laird, and Albert Percival Cliff as a Committee of Management for a period of three (3) years from 17th April, 1950, of the land in the Parish of Pompapiel temporarily reserved by Orders in Council dated 24th June, 1902, and 13th January, 1948, as sites for Public Recreation, and together known as the "Pompapiel Recreation Reserve."—(Corres. Rs.3851.)

"RUPANYUP PUBLIC PARK."

Jacob Ramsay, Robert Leslie McMullin, Percy James Gissing, Thomas Slee, and Arthur Ackland as a Committee of Management for a period of three (3) years from 5th May, 1950, of the land temporarily reserved by Order in Council dated 14th April, 1930, as a site for Public Park and Recreation in the Parish and Town of Rupanyup, and known as the "Rupanyup Public Park."—(Corres. Rs.3985.)

"SANDFORD RACECOURSE AND RECREATION RESERVE."

Herbert David Mitchell, Charles Tealing Murrell, Allan Charles MacKinnon, William Edward Henry Sealey, James Doyle, William Henry Mitchell, and Francis Russell Cox as a Committee of Management for a period of three (3) years from 29th April, 1950, of the land temporarily reserved by Orders in Council dated 11th October, 1886, and 16th October, 1894, as sites for a Racecourse and other purposes of Public Recreation in the Parish of Casterton, and known as the "Sandford Racecourse and Recreation Reserve."—(Corres. Rs.138.)

"SPRING GULLY RECREATION RESERVE."

William J. Mannix, Lawrence R. Pearson, Glen J. Friswell, Thomas M. Jude, Harry H. Friswell, Frank Pendlebury, and Thomas J. Patullo as a Committee of Management for a period of three (3) years of the land temporarily reserved by Order in Council of 13th July, 1942, as a site for Public Recreation, and also the land temporarily reserved by Order in Council of 22nd May, 1945, as a site for Recreation purposes, both areas being in the Parish of Sandhurst, at Spring Gully, and known as the "Spring Gully Recreation Reserve."—(Corres. Rs.4599.)

"STRATHDOWNIE PUBLIC HALL RESERVE."

Ralph L. McEachern, J. McCorkindale, James A. McGrath, S. G. Greenslade, Henry A. Harvey, T. S. Johnston, and J. P. McCarthy as a Committee of Management for a period of three (3) years from 18th April, 1950, of the land in the Parish of Werrikoo temporarily reserved as a site for a Public Hall by Order in Council dated 15th March, 1950, and known as the "Strathdownie Public Hall Reserve."—(Corres. Rs.6142.)

"TOORONGO VALLEY RESERVE."

James Findlay, Francis George Kollosche, George Harvey Dunn, Beverley Bowen Rockliff Keene, Francis McMahon O'Brien, James Arthur Suckling, and Alexander Johnston as a Committee of Management for a period of three (3) years from 5th October, 1949, of the Reserves for Public purposes in the Parishes of Neerim and Noojee East (Toorong Valley, &c.), as are indicated by pink tint on plan marked N.E. 5/10/22 attached to Lands Department correspondence Rs.2952, and known as the "Toorong Valley Reserve."—(Corres. Rs.2952.)

"TULLAROOP PUBLIC PARK AND PLANTATION RESERVE."

George Wilfred Stewart, Hugh William Hicks, Vincent Thomas Dally, William Joseph Wilson, Charles Junia Whitmore, John Lewis Long, and Charles Leslie Bucknall as a Committee of Management for a period of three (3) years from 6th May, 1950, of the land temporarily reserved by Order in Council dated the 24th December, 1940, as a site for Public Park and Plantation purposes in the Town and Parish of Carisbrook, and known as the "Tullaroop Public Park and Plantation Reserve."—(Corres. Rs.5151.)

"WALLAN WALLAN MECHANICS' INSTITUTE RESERVE."

Kenneth Murchison Cleve, Kenneth George McIntosh, Alfred James Petherbridge, Jeremiah George Vallence, Jessie Mabel Wiggins, Flora May Cleve, and John Francis Butler as a Committee of Management for a period of three (3) years from 24th May, 1950, of the land temporarily reserved by Order in Council dated the 27th February, 1865, as a site for a Mechanics' Institute at Wallan Wallan, and known as the "Wallan Wallan Mechanics' Institute Reserve."—(Corres. Rs.3108.)

"WELSHPOOL MECHANICS' INSTITUTE RESERVE AND WELSHPOOL RECREATION RESERVES."

Peter Marius Busk, John Acuin Blayney, and Marcus Campbell Leach as a Committee of Management for a period of three (3) years from 12th April, 1950, of the lands temporarily reserved by Orders in Council dated 9th October, 1933, and 23rd January, 1895, as sites for Public Recreation and a Mechanics' Institute and Free Library respectively in the Parish and Town of Welshpool, and known as the "Welshpool Recreation and Mechanics' Institute Reserves."—(Corres. Rs.4346, Rs.4182.)

"WOODS POINT RECREATION RESERVE."

John H. Scott, Hector W. R. Stewart, and Frederick T. Goodfellow as a Committee of Management for a period of three (3) years of the land temporarily reserved by Order in Council dated 23rd April, 1907, as a site for Public Park and Recreation purposes in the Parish of Goulburn, and known as "Woods Point Recreation Reserve."—(Corres. Rs.2792.)

"WYCHEPROOF RECREATION AND SHOW GROUNDS RESERVE."

Powley Denney, John Reginald Milburn, William Murdoch Matheson, Edward Francis Whelan and Cornelius Tom Taylor as a Committee of Management for a period of three (3) years from 19th April, 1950, of the land temporarily reserved by Order in Council dated 1st August, 1905, as a site for Public Recreation, together with the land temporarily reserved by Order in Council dated 12th December, 1938, as a site for Public Recreation and Show Grounds, all in the Township of Wycheproof, and known as the "Wycheproof Recreation and Show Grounds Reserve."—(Corres. Rs.174.)

In witness whereof the common seal of the Board of Land and Works was hereunto affixed this thirty-first day of May, One thousand nine hundred and fifty, in the presence of—

(SEAL) R. C. GUTHRIE, President.
J. E. HUNTER, Member.

Land Act 1928.

LEASE UNDER THE LAND ACTS 1915 AND 1928 DECLARED VOID.

NOTICE is hereby given that the Lease mentioned in the Schedule hereunder has been declared void by the Governor in Council for the reason specified.

District.	Corr. No.	Name of Lessee.	Section of Land Act under which Leased.	Parish.	Allotment.	Area.	Class.	Annual Rental.	Reasons for Voiding.
Geelong	381/44	Gerald Baldwin Seager	44	Yaughter	21, section A	A. R. P. 105 3 28	3rd	£ s. d. 2 13 0	Non-compliance with conditions

Department of Lands and Survey,
Melbourne, 30th May, 1950.

R. C. GUTHRIE,
Commissioner of Crown Lands and Survey.

LIST OF CROWN LANDS AVAILABLE.

THE under-mentioned areas are available for application as provided by various sections of the Land Act 1928, and all applications received on or before Wednesday, 5th July, 1950, will be deemed to have been simultaneously made, but any application lodged after such date may be considered if received in time for inclusion in the advertisement of the cases to be heard at the Local Land Board.

Applications on proper form, accompanied by 5s. duty stamp uncancelled (registration fee), may be delivered or forwarded by post to the Local Land Officer or to any Crown Lands Office in Victoria. Applicants may obtain from Local Land Officers, or the Lands Department, Melbourne, a certificate authorizing the issue by the Railway Department of a return ticket at concession fares to enable them to inspect available areas or to attend Local Land Boards. When an applicant is granted an allotment he may, if travelling by rail, obtain reduced fares for his family and also freight concessions in regard to some of his effects.

Subject to the approval of the Secretary for Lands, when the survey fee exceeds £25 but does not exceed £50, a deposit of £25 may be paid, and when the fee exceeds £50 a deposit of 50 per cent. of the fee, the balance in either case being payable over six years in half-yearly instalments.

Marked plans of any particular area, application forms, and any further information may be obtained from the Lands Department, Melbourne, and Land Officers, Bairnsdale, Geelong, and Melbourne.

Department of Crown Lands and Survey,
Melbourne, 7th June, 1950.

R. C. GUTHRIE,
Commissioner of Crown Lands and Survey.

* Improvements may be subject to re-valuation after land has been granted to an applicant.

Local Land Office.	County.	Parish.	Allotment.	Area.	How Available.		Survey Fee.	Valuation of Improvements (if any).	Location of Land, &c.	Nearest Railway Station or Township and Distance in miles therefrom.	How Accessible.	Water Supply.	General Description of Land—Soil, Timber, Suitability (Grazing, &c.).							
					Classification.	Value per Acre.														
				A.	R.	P.	£	s.	d.											
Bairnsdale (a, b)	Croajingalong	Bendook	71	250	0	0	3rd	1	0	0	22	2	6	Nil	In south of parish	Orbost R.S., 75 miles	By Forests Commission Road	Back and Creek to be conserved	Undulating to hilly; fair red loam; peppermint, gum, and messmate; suitable for grazing. (019/54)	
Bairnsdale (a, b)	"	"	72, 72A, 72B	250	0	0	3rd	1	0	0	22	2	6	"	"	"	"	"	"	"
Geelong (a)	Polwarth	Newlingbrook	40A	150	0	0	3rd	1	0	0	18	2	6	"	In north-east of parish	Gellibrand, 8 miles	By road	Permanent Creek	Sandy ridges with some flat; ferns, grass-tree, messmate, and gum. (J.27655)	
Melbourne (a, b, c)	Buh Buh	Neerim East	44B	291	3	38	2nd	1	5	0	24	0	0	"	In the south-west corner of parish	Warragul or Trafalgar R.S., about 14 miles	"	By creek through allotment and by conservation	Hilly country timbered with stringybark and peppermint gum; grey soil; suitable for agriculture and grazing. (19417/47-49)	

(a) Subject to survey.

(b) Subject to mining condition.

(c) Subject to timber condition.

AGRICULTURAL AND GRAZING LANDS—SELECTION PURCHASE ALLOTMENTS.

DIVISION 4, PART I, LAND ACT 1928.

Land Act 1928.

LEASES SURRENDERED.

NOTICE is hereby given that the Governor in Council has accepted the surrender of the Leases mentioned in the Schedule hereunder for the reason specified in each case.

District.	Corr. No.	Name.	Section of Land Act under which Leased.	Parish.	Allotment.	Area.	Class.	Reason.
Hamilton	607/80	Eliza Isabel Pratt	80	Dartmoor	9B and Parts 11,	A. R. P. 442 0 17	3rd	New lease to issue
Bairnsdale	253/44	John Ronald Bromage	44	Bumberrah	114	481 1 5	3rd	Lessee's request

Department of Lands and Survey,
Melbourne, 30th May, 1950.

R. C. GUTHRIE,
Commissioner of Crown Lands and Survey.

TENDERS.

TENDERS will be received at this office until **TEN A.M.** on the days and for the purposes under mentioned.

Particulars may be learnt at this Office and also at places shown in parenthesis.

W.O. means Inspector of Works Office; P.S.—Police Station; T.S.—Technical School; H.E.S.—Higher Elementary School; S.S.—State School; H.S.—High School; P.D.—Preliminary deposit; F.D.—Final deposit.

The Board of Land and Works will not necessarily accept the lowest or any tender.

13th June, 1950.

Ararat.—Erection of new building, P.S. (W.O., Ararat, Ballarat; P.S., Ararat, Stawell.) P.D., £25. F.D., 2 per cent.

Ballarat.—Supply and delivery of vapour-proof hot cathode fluorescent lighting equipment, School of Mines. P.D., £5. F.D., 2 per cent.

Ballarat.—Supply and installation of cold cathode fluorescent equipment in Chemistry and Dressmaking Schools, School of Mines. P.D., £15. F.D., 2 per cent.

Ballarat.—Electrical installation in Chemistry and Dressmaking Schools, School of Mines. (W.O., Ballarat.) P.D., £15. F.D., 2 per cent.

Branxholme.—Provision of new chain wire front fence and repairs, S.S. No. 1978. (W.O., Hamilton, Warrnambool; S.S., Branxholme.) Deposit, £3.

Camberwell.—Additional lavatory accommodation, S.S. No. 888. P.D., £4. F.D., 2 per cent.

Coburg.—Sale of dross, skimmings, and flux, Wire Netting Factory, Pentridge. P.D., £10. F.D., full amount of purchase money.

Dartmoor.—Alterations, repairs, and renovations, S.S. No. 1035. (W.O., Hamilton, Warrnambool; P.S., Portland; S.S., Dartmoor.) P.D., £10. F.D., 2 per cent.

Dooen.—Additions to laundry, Longerenong Agricultural College. (W.O., Horsham; Longerenong Agricultural College, Dooen.) P.D., £5. F.D., 2 per cent.

Eagle Point.—Erection of teacher's residence, S.S. No. 3215. (W.O., Bairnsdale; S.S., Eagle Point.) P.D., £15. F.D., 2 per cent.

Footscray.—Erection of a safety fence, S.S. No. 1912. P.D., £5. F.D., 2 per cent.

Geelong.—Alterations and additions, Divisional Offices, Country Roads Board, McKillop-street. (W.O., Geelong; Country Roads Board Offices, Geelong.) P.D., £15. F.D., 2 per cent.

Hamilton.—Erection of timber residence, S.S. No. 295. (W.O., Hamilton; S.S., Hamilton.) P.D., £15. F.D., 2 per cent.

Hamilton.—Erection of two (2) teachers' residences in timber, H.S. (W.O., Hamilton; H.S., Hamilton.) P.D., £20. F.D., 2 per cent.

Hazelwood South.—Erection and completion of teacher's residence and out-buildings, S.S. No. 3350. (W.O., Traralgon; P.S., Warragul; S.S., Hazelwood South.) P.D., £15. F.D., 2 per cent.

Lake Tyers.—Alterations to dairy and butcher's shop, Aboriginal Station. (W.O., Bairnsdale; Aboriginal Station, Lake Tyers.) P.D., £4. F.D., 2 per cent.

Learmonth.—Erection of new police office and two (2) new out-offices, P.S. (W.O., Ballarat; P.S., Learmonth.) P.D., £10. F.D., 2 per cent.

Longerenong.—Supply and installation of a fuel hot-water service, Research Officer's residence, Longerenong Agricultural College. (W.O., Horsham.) Deposit, £3.

Mardan South.—Alteration and restoration of teacher's residence, S.S. No. 3166. (W.O., Korumburra; S.S., Mardan South.) P.D., £10. F.D., 2 per cent.

Melbourne.—Chimney sweeping, from 1st July, 1950, to 30th June, 1951, Government Buildings. Deposit, £5.

Melbourne.—Removal of garbage, from 1st July, 1950, to 30th June, 1951, Public Buildings. Deposit, £5.

Melbourne.—Glazing, from 1st July, 1950, to 30th June, 1951, Public Buildings. Deposit, £5.

Minhamite.—Electrical installation, S.S. No. 3999. (W.O., Warrnambool.) P.D., £2. F.D., 2 per cent.

Nhill.—Erection of new residence in timber, H.S. (W.O., Warracknabeal; H.S., Nhill.) P.D., £15. F.D., 2 per cent.

Portland.—New toilets and sewerage connexions to school and caretaker's quarters, S.S. No. 489. (W.O., Hamilton, Warrnambool; P.S., Port Fairy, Portland; S.S., Portland.) P.D., £15. F.D., 2 per cent.

Seymour.—Additional out-office accommodation, H.S. (W.O., Alexandra; H.S., Seymour.) P.D., £10. F.D., 2 per cent.

South Yarra.—Renovations and new blackboards, S.S. No. 583. P.D., £10. F.D., 2 per cent.

Speewa.—Erection of new timber residence, type E4R., garage, out-buildings, and fencing, S.S. No. 4200. (W.O., Swan Hill; P.S., Echuca, Kerang.) P.D., £15. F.D., 2 per cent.

Stawell.—Alterations, repairs, and painting to two timber classrooms, H.S. (W.O., Ararat; P.S., Stawell; H.S., Stawell.) P.D., £10. F.D., 2 per cent.

Tallangatta Valley.—Erection of teacher's residence, S.S. No. 2337. (W.O., Wangaratta; S.S., Tallangatta Valley.) P.D., £15. F.D., 2 per cent.

Traralgon South.—Supply and installation of a kerosene hot-water system, teacher's residence, S.S. No. 2114. (P.S., Traralgon.) P.D., £3. F.D., 2 per cent.

Willaura.—Supply and installation of fuel hot-water service, teacher's residence, S.S. No. 2662. (P.S., Ararat, Willaura.) P.D., £2. F.D., 2 per cent.

Yarra Park.—Internal painting and renovations, S.S. No. 1406. P.D., £10. F.D., 2 per cent.

20th June, 1950.

Ararat.—Erection of bio. cabin, Mental Hospital. (W.O., Ararat; P.S., Stawell; Mental Hospital, Ararat.) Deposit, £4.

Bairnsdale.—Provision of two additional out-offices, H.S. (W.O., Bairnsdale; H.S., Bairnsdale.) P.D., £4. F.D., 2 per cent.

Ballarat.—Supply and installation of central heating and hot-water service, Teachers' Training College Hostel Annexe. P.D., £10. F.D., 2 per cent.

Ballarat.—Supply and installation of electrical household type refrigerator for Chief Nurses' Quarters, Mental Hospital. P.D., £2. F.D., 2 per cent.

Barkly.—Repairs and painting, school and residence, S.S. No. 899. (W.O., Maryborough; S.S., Barkly.) P.D., £10. F.D., 2 per cent.

Barmah.—Renewal of fencing and gates, S.S. No. 3260. (W.O., Shepparton; P.S., Echuca, Nathalia, Numurkah; S.S., Barmah.) P.D., £3. F.D., 2 per cent.

Beechworth.—Erection of steel fleche and repairs and painting, S.S. No. 1560. (W.O., Wangaratta; P.S., Myrtleford; S.S., Beechworth.) P.D., £15. F.D., 2 per cent.

Carlton.—Renovations, Education Department Store, Lygon-street. Deposit, £5.

Coburg.—Supply and delivery of three-tube lathes for Wire Netting Factory, Pentridge. P.D., £5. F.D., 2 per cent.

Coleraine.—Repairs and painting, P.S. (W.O., Hamilton; P.S., Coleraine, Casterton.) P.D., £5. F.D., 2 per cent.

Echuca.—Provision of external fire escape stair, T.S. (W.O., Bendigo, Shepparton; P.S., Kyabram, Rochester; T.S., Echuca.) P.D., £2. F.D., 2 per cent.

Heathcote.—Repairs, renovations, and painting to Court House and Municipal Building. (W.O., Bendigo; Court House and Municipal Building, Heathcote.) P.D., £10. F.D., 2 per cent.

Jeeralang.—Construction of a fire shelter, S.S. No. 3057. (W.O., Traralgon; S.S., Jeeralang.) P.D., £5. F.D., 2 per cent.

Jumbuk.—Construction of a fire shelter, S.S. No. 3349. (W.O., Traralgon; S.S., Jumbuk.) P.D., £10. F.D., 2 per cent.

Kiewa Valley.—Electrical installation, Senior and Cookery Wings, Consolidated School. (W.O., Wangaratta.) P.D., £15. F.D., 2 per cent.

Kyneton.—Erection of new porch, H.S. (W.O., Kyneton; H.S., Kyneton.) P.D., £2. F.D., 2 per cent.

Marysville.—Installation of septic tank and sewerage system, P.S. (W.O., Alexandra; P.S., Healesville, Marysville.) P.D., £4. F.D., 2 per cent.

Melbourne.—Supply and installation of extensions to central heating and hot-water system, State Rivers and Water Supply Commission, Carlisle House, 96 Exhibition-street. P.D., £15. F.D., 2 per cent.

Mont Park.—Supply and installation of electric household type refrigerator for Nurses' Flats, Mental Hospital, P.D., £2. F.D., 2 per cent.

Morwell.—Additional out-office accommodation, S.S. No. 2136. (W.O., Traralgon; P.S., Warragul; S.S., Morwell.) P.D., £10. F.D., 2 per cent.

Newlyn.—Installation of septic tank system and alterations to out-offices, S.S. No. 453. (W.O., Ballarat; P.S., Creswick; S.S., Newlyn.) P.D., £10. F.D., 2 per cent.

Port Fairy.—Erection of residence in timber for Inspector, Fisheries and Game Department. (W.O., Warrnambool; P.S., Port Fairy, Portland.) P.D., £15. F.D., 2 per cent.

Tongala.—Electrical installation, Junior Wing, Consolidated School. (W.O., Shepparton; P.S., Tongala.) P.D., £5. F.D., 2 per cent.

Traralgon.—New out-office accommodation, H.E.S. and S.S. No. 3584. (W.O., Traralgon; P.S., Moe; S.S., Traralgon.) P.D., £15. F.D., 2 per cent.

Wallace.—Painting and repairs, school and out-building, S.S. No. 2009. (W.O., Ballarat; S.S., Wallace.) P.D., £5. F.D., 2 per cent.

27th June, 1950.

Ararat.—Erection of timber and brick storage sheds for vegetables and fertilizer, Mental Hospital. (W.O., Ararat; P.S., Stawell; Mental Hospital, Ararat.) P.D., £15. F.D., 2 per cent.

Ararat.—Remodelling and re-equipment of main and staff kitchen, Mental Hospital. (W.O., Ararat, Ballarat; P.S., Stawell; Mental Hospital, Ararat.) P.D., £25. F.D., 2 per cent.

Auburn.—Renovations, S.S. No. 2948. P.D., £15. F.D., 2 per cent.

Balook.—Erection of standard teacher's residence, S.S. No. 2719. (W.O., Traralgon; S.S., Balook.) P.D., £15. F.D., 2 per cent.

Bonnie Doon.—Repairs and painting, P.S. (W.O., Benalla; P.S., Bonnie Doon, Mansfield.) P.D., £10. F.D., 2 per cent.

Learmonth.—Supply and installation of fuel hot-water service, teacher's residence, S.S. No. 386. (W.O., Ballarat; P.S., Learmonth.) P.D., £2. F.D., 2 per cent.

Macarthur.—Alteration to school building, S.S. No. 1561. (W.O., Hamilton, Warrnambool; S.S., Macarthur.) P.D., £5. F.D., 2 per cent.

Melbourne.—Supply and installation of hydraulic pump to operate existing lift, Government Printing Office. P.D., £5. F.D., 2 per cent.

Moe.—Supply and installation of a briquette hot-water service, teacher's residence, S.S. No. 2142. P.D., £3. F.D., 2 per cent.

Merino.—Remodelling of teacher's residence removed from Henty to Consolidated School. (W.O., Hamilton, Warrnambool.) P.D., £15. F.D., 2 per cent.

Timboon.—Removal of school residence from S.S. No. 2846, Port Campbell, re-erection, remodelling, additions, and painting, Consolidated School. (W.O., Camperdown, Warrnambool; P.S., Colac; Consolidated School, Timboon.) P.D., £15. F.D., 2 per cent.

Tongala.—Removal of S.S. No. 1851, Tongala East, and re-erection, &c., S.S. No. 3776. (W.O., Shepparton; P.S., Tongala; S.S., Tongala.) P.D., £5. F.D., 2 per cent.

Warncoort.—Supply and installation of electric hot-water service, teacher's residence, S.S. No. 2218. (W.O., Geelong; P.S., Colac.) P.D., £3. F.D., 2 per cent.

Waubra.—Supply and installation of a fuel hot-water service, teacher's residence, S.S. No. 859. (W.O., Ballarat; P.S., Waubra.) P.D., £2. F.D., 2 per cent.

Winter's Flat.—Conversion of large room into two small ones, provision of skylights and alterations, S.S. No. 652. (W.O., Bendigo; S.S., Winter's Flat.) P.D., £10. F.D., 2 per cent.

Yallourn.—Extension and restoration of building from Hillside No. 4, H.S. (W.O., Traralgon; P.S., Warragul; H.S., Yallourn.) P.D., £15. F.D., 2 per cent.

Tenders to be addressed to the Honorable the Commissioner of Public Works, and envelope containing tender marked "Tender for
due

J. A. KENNEDY,
Commissioner of Public Works.

Melbourne, 6th June, 1950.

PUBLIC SERVICE NOTICES.

PUBLIC SERVICE OF VICTORIA.—VACANCIES.

APPLICATIONS will be received by the Public Service Board up to Wednesday, the 21st June, 1950, from persons employed in the Public Service of Victoria, who are eligible and qualified, for appointment to the under-mentioned positions:—

ADMINISTRATIVE DIVISION.

Clerk, Class "C2," Department of Lands and Survey.

Yearly Salary.—£631, minimum; £683, maximum.

Duties.—To assist the Officer in Charge of the Metropolitan Division in personal negotiations concerning the letting under building lease of industrial sites in South and Port Melbourne; to compile information and assist the valuer and appraiser for the metropolitan area. To deal with applications and correspondence under the various Acts administered by the Department.

Qualifications.—To possess a sound knowledge of the Land Acts, the Wire Netting Act, and Part XLVIII. of the Local Government Act, and to be familiar with the Regulations and procedure thereunder.

A particular knowledge of licences and leases in industrial areas is essential.

Land Officer, Class "C1," Horsham, Department of Lands and Survey.

Yearly Salary.—£553, minimum; £605, maximum.

Duties.—To deal with land settlement applications and inquiries; to conduct auction sales of departmental lands; to hold local Land Boards; to issue notices for payment of survey fees and to record orders for survey; to plot new surveys on office plans.

Qualifications.—To possess a general knowledge of the Land and Closer Settlement Acts, and of the Regulations thereunder; to be experienced in draughting and capable of charting on plans from surveyors' field notes; to have experience and tact in dealing with the public.

Clerk, Class "C," Department of Labour.

Yearly Salary.—£462, minimum; £534, maximum.

Duties.—To assist the Research Officer in the preparation of submissions and reports, draft Orders in Council and Regulations, and in carrying out research work.

Qualifications.—To have a sound knowledge of the Factories and Shops Acts, and Regulations and Determinations of Wages Boards, and also on the history and functions of Victorian Industrial Legislation and the procedure of the Department.

PROFESSIONAL DIVISION.

Biologist, Class "C," Fisheries and Game Branch, Department of Chief Secretary.

Yearly Salary.—£462, minimum; £534, maximum.

Duties.—Under the direction of the Director of Fisheries and Game, to carry out research work in regard to the management of freshwater fisheries, including stream pollution.

Qualifications.—To possess a University Degree in Science or Agricultural Science, with particular reference to biological subjects.

Clerk of Courts, Grade III., Class "C," Kerang, Department of Law.

Yearly Salary.—£462, minimum; £534, maximum.

Qualifications.—As prescribed by Regulation 42 (2) of the Public Service (Public Service Board) Regulations 1946.

Analyst, Class "D," Department of Agriculture.

Salary.—£436 a year.

Duties.—To carry out analyses of insecticides, fertilizers, and other agricultural products.

Qualifications.—To hold a science degree or approved diploma with chemistry as a major subject and to have had some analytical experience.

NOTE.—After twelve months' satisfactory service, appointee will be eligible for promotion to Class "C" (£462-£534).

TECHNICAL AND GENERAL DIVISION.

Head Attendant, Grade I., Mont Park Mental Hospital, Department of Health. (Two vacancies.)

Salary.—£493 a year, less deductions for quarters and allowances.

Duties.—Under direction of Medical Superintendent and Principal Head Attendant, to have charge of the Male Division, staff and patients.

Qualifications.—To possess trained Mental Attendant's Certificate, experience in a senior position in a Mental Hospital, tact and ability to control patients and staff, and to compile reports and records relating to these duties.

NOTE.—Quarters will be available for only one of the successful applicants.

Gardener, Kew Mental Hospital, Department of Health.

Salary.—£352 a year.

Duties.—To assist the Senior Gardener and, in his absence, to take charge of the vegetable garden and to direct operations of patients placed at his disposal.

Qualifications.—A good knowledge of gardening work and ability to handle staff.

Attendant, Public Library, National Gallery and Museums Branch, Department of Chief Secretary. (Two vacancies.)

Yearly Salary.—£312, minimum; £351, maximum.

Duties.—To clean and prepare galleries prior to, and supervise them after, admission by the public, and perform such other duties as directed by the Supervisor.

Qualifications.—To be physically fit, of good address, good moral character and industrious habits, and preferably between the ages of 25 and 40 years.

Gardener, Grade II., Botanic Gardens Branch, Department of Lands and Survey. (Two vacancies.)

Salary.—£344 a year.

Duties.—To have charge of a section of the Gardens and to carry out such gardening as may be directed.

Qualifications.—A practical knowledge of the various processes and methods of gardening, including a knowledge of plants and their treatment. To have passed the prescribed examination as set out in Regulation 45 (a) of the Public Service (Public Service Board) Regulations.

Carter, Ararat Mental Hospital, Department of Health.

Yearly Salary.—£299, minimum; £338, maximum.

Duties.—To assist in all farm work.

Qualifications.—Ability to carry out all ordinary farm work.

NOTE.—In addition to the salary rates quoted, a cost of living adjustment (£114 a year for adult males), which varies in accordance with the rise or fall in the index number of the cost of living, is payable.

By order,

E. F. FITZGIBBON,
Secretary.

Office of the Public Service Board,
Melbourne, 5th June, 1950.

PUBLIC SERVICE OF VICTORIA.—VACANCY.

TEMPORARY APPOINTMENT.

APPLICATIONS will be received by the Public Service Board, up to Wednesday, the 21st June, 1950, from persons who are qualified, for appointment to the under-mentioned position:—

Seeds Inspector, Department of Agriculture.

Yearly Salary.—£384, minimum; £488, maximum.

Duties.—To act as an officer under the Seeds Act of Victoria, to inspect and report on crops of grass and clover submitted for approval as suitable for the production of certified seeds, and to assist with the necessary field tests, and to supervise harvesting and re-cleaning of seed and other work involved in the certification of agricultural seeds.

Qualifications.—To possess a Diploma or Certificate of Competency from an Agricultural or Horticultural College, or its equivalent, and experience in the production of grass and clover seed.

NOTE.—In addition to the salary rate quoted, a cost of living adjustment (£114 a year for adult males), which varies in accordance with the rise or fall in the index number of the cost of living, is payable.

By order,

E. F. FITZGIBBON,
Secretary.

Office of the Public Service Board,
Melbourne, 6th June, 1950.

PUBLIC SERVICE (PUBLIC SERVICE BOARD) REGULATION 36A.—RECLASSIFICATIONS.

THE Public Service Board has raised the classification of the under-mentioned offices as shown, and the Permanent Heads of the Departments have recommended the officers named for appointment.

Office and Present Classification.	Revised Classification.	Duties.	Qualifications.	Officer Recommended for Appointment.		
				Name.	Classification.	Date of Classification.

PROFESSIONAL DIVISION.

DEPARTMENT OF CHIEF SECRETARY.

Public Library Branch.

Senior Assistant, Class "C1" (2 offices)	Senior Librarian, Class "C2" (2 offices)	To supervise the services of the Reference Library Inquiry and Reading Rooms, the book stacks and map collection; to direct the work of Professional and General Division staff in those sections; to have charge of the Reference Library in the absence of the Assistant Librarian	To possess a University degree or other special educational qualifications which may be regarded as equivalent thereto; to have a thorough knowledge of the resources and processes of the various Departments of the Public Library and of its book resources and reference tools, to be capable of directing the staff concerned; to be eligible for membership of the Library Association of Australia	Kealy, T. A.	Senior Assistant, Class "C1"	22.11.48
		To supervise the work of the Research Section; to undertake investigations, as required, into the available reference information over a wide field of subjects; to prepare bibliographies on selected subjects	To possess a University degree or other special educational qualifications, combined with experience, which may be regarded as equivalent thereto; to have detailed knowledge of the book resources of the Public Library, especially its reference works, indexes and bibliographical aids, and experience in their use; to be thoroughly familiar with modern methods of library research; to be qualified for membership of the Library Association of Australia. Some knowledge of modern languages is desirable	Garrett, P. V. L.	Senior Assistant, Class "C1"	22.11.48
Assistant (Female), Class "C"	Senior Librarian (Female), Class "C1"	To supervise the work of the cataloguing and Accession departments of the Public Library of Victoria	To possess a University degree or special educational qualifications which may be regarded as equivalent thereto; to have a thorough knowledge of and experience in the use of modern cataloguing practices and systems of classifications; to be capable of directing the staff of this section; to be eligible for membership of the Library Association of Australia. Some knowledge of modern languages is essential	O'Connor, M. U.	Assistant (Female), Class "C"	6.9.49
Assistant, Class "D" (Female)	Librarian, Class "D1" (Female)	To have sub-charge of the Archives Section and the Victorian Historical Collection; to classify and index official and private documentary material in the Public Library; to inspect and select for preservation Government papers in other Departments and to undertake researches into matters pertaining to local history	To possess a University degree in Arts; to have a detailed knowledge of Australian history; to be familiar with modern archival practices and to have had experience in handling Government, municipal and private documentary material	McGowan, R. M.	Assistant, Class "D" (Female)	18.6.49

PUBLIC SERVICE (PUBLIC SERVICE BOARD) REGULATION 36A.—RECLASSIFICATIONS—*continued.*

Office and Present Classification.	Revised Classification.	Duties.	Qualifications.	Officer Recommended for Appointment.		
				Name.	Classification.	Date of Classification.
PROFESSIONAL DIVISION— <i>continued.</i>						
DEPARTMENT OF WATER SUPPLY.						
Mechanical Engineer, Class "B"	Class "B1"	To be responsible for the administration, operation, and maintenance of the Pumping and Power Stations at Red Cliffs, and to supervise operation of Merbein Pumping Station as required	To possess a University Degree or Diploma in Mechanical Engineering or a First Class Engineer's Certificate issued by the Board of Trade; to have had extensive technical and practical experience in the supervision, operation, and maintenance of large mechanical and electrical plant, including steam generation and the production and transmission of electric power; and experience in administration, including the control of staff	Larsen, E. C. G.	Mechanical Engineer, Class "B"	16.5.49

Appeals against such recommendations should be lodged with the Secretary to the Public Service Board not later than Saturday, the 17th June, 1950.

Office of the Public Service Board,
Melbourne, 5th June, 1950.

By order,
E. F. FITZGIBBON, Secretary.

PUBLIC SERVICE (PUBLIC SERVICE BOARD) REGULATION 36A.—VACANCIES.

THE Permanent Heads of the Departments shown have recommended the officers named hereunder for appointment to the under-mentioned vacancies.

Office and Classification.	Duties.	Qualifications.	Officer Recommended for Appointment.		
			Name.	Classification.	Date of Classification.
ADMINISTRATIVE DIVISION.					
DEPARTMENT OF LANDS AND SURVEY.					
Assistant Accountant, Class "B1"	To assist in the supervision of the work of the branch and in the control of staff; to be responsible for all mechanized equipment and processes; to supervise the preparation of estimates of expenditure and revenue	To have a knowledge of the Acts administered by the Department and the Soldier Settlement Commission and of the procedure thereunder; to have an intimate knowledge of the agreement relating to War Service Land Settlement; to have had a wide experience in the departmental system of accounts and of mechanized accounts generally	Straford, V. W.	Clerk, "B"	Class 9.1.50
DEPARTMENT OF MINES.					
Clerk, "C"	To act as Staff Officer in connexion with the appointment, promotion, and transfer of officers and employees; to prepare reports, conduct correspondence and carry out special duties as required	To have a thorough knowledge of Departmental activities and procedure; to have a sound knowledge of the Mines Acts, the Public Service Act and the Regulations made thereunder, and to be familiar with Industrial Awards and conditions	Young, W. D. . .	Clerk, "E" and "D"	Classes 26.3.41

Appeals against such recommendations should be lodged with the Secretary to the Public Service Board not later than Saturday, the 17th June, 1950.

Office of the Public Service Board,
Melbourne, 5th June, 1950.

By order,
E. F. FITZGIBBON,
Secretary.

No. 771.

Public Service Act 1946, Section 50.

REGULATIONS—PART III.—SALARIES, INCREMENTS, AND ALLOWANCES.

THE Public Service Board, in pursuance of the powers conferred by the *Public Service Act 1946*, hereby amends its Regulations as shown below :—

SECOND SCHEDULE.

TECHNICAL AND GENERAL DIVISION.

Offices and Rates of Salaries.

Department and Office.	Yearly Rate of Salary.		Increments (Annual).
	Minimum.	Maximum.	
DEPARTMENT OF LAW.	£	£	
<i>Delete—</i> Searcher, Senior, Office of Titles ..	299	390	
Searcher, Office of Titles ..	312	364	
<i>Add—</i> Searcher, Senior, Office of Titles ..	390	416	1 of £26
Searcher, Office of Titles ..	312	377	3 of £13 and 1 of £26
DEPARTMENT OF CHIEF SECRETARY.			
PUBLIC LIBRARY, NATIONAL MUSEUM, MUSEUM OF APPLIED SCIENCE, AND NATIONAL GALLERY.			
<i>Delete—</i> Storeman, National Gallery ..	312	338	
<i>Add—</i> Storeman, National Gallery ..	312	351	

This Regulation shall have effect as on and from the 14th May, 1950.

D. D. PAINE, Chairman.
E. F. FITZGIBBON, Secretary.

Office of the Public Service Board,
Melbourne, 15th May, 1950.

No. 776.

Public Service Act 1946, Section 39.

REGULATIONS—PART III.—SALARIES, INCREMENTS, AND ALLOWANCES.

THE Public Service Board, in pursuance of the powers conferred by the *Public Service Act 1946*, hereby amends its Regulations as shown below :—

FIRST SCHEDULE.

PROFESSIONAL DIVISION.

Offices and Rates of Salaries.

Office.	Yearly Rate of Salary.	
	Minimum.	Maximum.
DEPARTMENT OF CHIEF SECRETARY.	£	£
CLASS "C1."		
<i>Add—</i> Inspector, State Motor Car Insurance Office	553	605

D. D. PAINE, Chairman.
E. F. FITZGIBBON, Secretary.

Office of the Public Service Board,
Melbourne, 25th May, 1950.

No. 774.

Public Service Act 1946.

REGULATIONS—PART III.—SALARIES, INCREMENTS, AND ALLOWANCES.

THE Public Service Board, in pursuance of the powers conferred by the *Public Service Act 1946*, hereby amends the Public Service (Public Service Board) Regulations as follows :—

FOURTH SCHEDULE.

ADMINISTRATIVE DIVISION.

Amount or Range of Salary Assigned to Offices in Class "A1," Classes "A" and "A1," and Class "A."

Office.	Yearly Rate of Salary.	
	Minimum.	Maximum.
DEPARTMENT OF CHIEF SECRETARY.	£	£
CLASS "A."		
<i>Add—</i> Senior Clerk and Accountant, Chief Secretary's Office	..	900
D. D. PAINE, Chairman. E. F. FITZGIBBON, Secretary.		
Office of the Public Service Board, Melbourne, 22nd May, 1950.		

No. 777.

Public Service Act 1946, Section 50.

REGULATIONS.—PART III.—SALARIES, INCREMENTS, AND ALLOWANCES.

THE Public Service Board, in pursuance of the powers conferred by the *Public Service Act 1946*, hereby amends its Regulations as shown below :—

SIXTH SCHEDULE.

TEMPORARY EMPLOYEES.

Designations of Positions and Rates of Salaries.

Department and Designation of Position.	Yearly Rate of Salary.		Increments (Annual).
	Minimum.	Maximum.	
DEPARTMENT OF WATER SUPPLY.	£	£	
<i>Add—</i> Architect	683	735	2 of £26

This Regulation shall have effect as on and from the 6th March, 1950.

D. D. PAINE, Chairman.
E. F. FITZGIBBON, Secretary.

Office of the Public Service Board,
Melbourne, 29th May, 1950.

No. 779.

Public Service Act 1946, Section 39.

REGULATIONS.—PART III.—SALARIES, INCREMENTS, AND ALLOWANCES.

THE Public Service Board, in pursuance of the powers conferred by the *Public Service Act 1946*, hereby amends its Regulations as shown below :—

FIRST SCHEDULE.

PROFESSIONAL DIVISION.

Offices and Rates of Salaries.

Office.	Yearly Rate of Salary.	
	Minimum.	Maximum.
DEPARTMENT OF STATE FORESTS	£	£
CLASS "C2."		
<i>Delete—</i> Assistant Sales and Marketing Officer ..	631	683

D. D. PAINE, Chairman.
E. F. FITZGIBBON, Secretary.

Office of the Public Service Board,
Melbourne, 29th May, 1950.

No. 780.

Public Service Act 1946, Section 50.

REGULATIONS.—PART III.—SALARIES, INCREMENTS, AND ALLOWANCES.

THE Public Service Board, in pursuance of the powers conferred by the *Public Service Act 1946*, hereby amends its Regulations as shown below:—

SEVENTH SCHEDULE.

TECHNICAL AND GENERAL DIVISION.

DEPARTMENT OF HEALTH.

MENTAL HYGIENE.

Offices and Rates of Salaries.

Office.	Yearly Rate of Salary.		Increments (Annual).
	Minimum.	Maximum.	
GENERAL STAFF—FEMALES.	£	£	
<i>Delete—</i> Nurse, Chief (Ararat, Kew Cottages, Stawell, Jane-field, Bundoora)	389*	..
<i>Add—</i> Nurse, Chief (Mont Park, Ararat, Kew Cottages, Stawell, Jane-field, Bundoora)	389*	..

* Less deductions for quarters, allowances and rations.

This Regulation shall have effect as on and from the 1st January, 1950.

D. D. PAINE, Chairman.

E. F. FITZGIBBON, Secretary.

Office of the Public Service Board,
Melbourne, 30th May, 1950.

No. 778.

Public Service Act 1946, Section 50.

REGULATIONS.—PART III.—SALARIES, INCREMENTS, AND ALLOWANCES.

THE Public Service Board, in pursuance of the powers conferred by the *Public Service Act 1946*, hereby amends its Regulations as shown below:—

SIXTH SCHEDULE.

TEMPORARY EMPLOYEES.

Designations of Positions and Rates of Salaries.

Department and Designation of Position.	Yearly Rate of Salary.		Increments (Annual).
	Minimum.	Maximum.	
DEPARTMENT OF HEALTH.	£	£	
GENERAL HEALTH.			
<i>Add—</i> Assistant Engineer	462	..

This Regulation shall have effect as on and from the 16th April, 1950.

D. D. PAINE, Chairman.

E. F. FITZGIBBON, Secretary.

Office of the Public Service Board,
Melbourne, 30th May, 1950.

No. 778.

Public Service Act 1946, Section 50.

REGULATIONS.—PART III.—SALARIES, INCREMENTS, AND ALLOWANCES.

THE Public Service Board, in pursuance of the powers conferred by the *Public Service Act 1946*, hereby amends its Regulations as shown below:—

SEVENTH SCHEDULE.

TECHNICAL AND GENERAL DIVISION.

DEPARTMENT OF HEALTH.

MENTAL HYGIENE.

Offices and Rates of Salaries.

Office.	Yearly Rate of Salary.		Increments (Annual).
	Minimum.	Maximum.	
ARTISANS AND SERVANTS—MALES.	£	£	
<i>Add—</i> Butcher	354	..

D. D. PAINE, Chairman.

E. F. FITZGIBBON, Secretary.

Office of the Public Service Board,
Melbourne, 23rd May, 1950.

No. 775.

Public Service Act 1946, Section 39.

REGULATIONS.—PART III.—SALARIES, INCREMENTS, AND ALLOWANCES.

THE Public Service Board, in pursuance of the powers conferred by the *Public Service Act 1946*, hereby amends its Regulations as shown below:—

FIRST SCHEDULE.

PROFESSIONAL DIVISION.

Offices and Rates of Salaries.

Office.	Yearly Rate of Salary.	
	Minimum.	Maximum.
DEPARTMENT OF AGRICULTURE.	£	£
CLASS "C1."		
<i>Delete—</i> Soils Assistant	553	605
DEPARTMENT OF WATER SUPPLY.		
CLASS "A1."		
<i>Add—</i> Senior Designing Engineer	1,100	1,200

This Regulation shall have effect as on and from the 2nd May, 1950.

D. D. PAINE, Chairman.

E. F. FITZGIBBON, Secretary.

Office of the Public Service Board,
Melbourne, 22nd May, 1950.

PRIVATE ADVERTISEMENTS.

Local Government Act 1946.

CITY OF HEIDELBERG.

NOTICE TO ALL WHOM IT MAY CONCERN.

WHEREAS the Council of the municipality of the City of Heidelberg, in the State of Victoria, deems it expedient to execute a certain work or undertaking for the purpose of providing a place of public resort and recreation, for the purposes whereof it is in the opinion of the said Council necessary and desirable that the said Council exercise its power of taking land compulsorily within the municipal district of the said Council, as provided by the *Local Government Act 1946*, and the said Council has caused its surveyor to prepare specifications, maps, plans, sections, and elevations of the said work or undertaking as are necessary and in which are expressed the nature and extent of such work or undertaking and the exact site and admeasurements thereof and on and through what land the said work or undertaking is proposed to be placed and the names of the owners or reputed owners, lessees or reputed lessees, and the occupiers of such land so proposed to be taken so far as known, and the said specifications, maps, plans, sections, and elevations so prepared have been approved by the said Council.

In pursuance of the provisions of the *Local Government Act 1946*, the said Council doth hereby publish and give notice that the description shortly of the purport of the said work or undertaking and of the said specifications, maps, plans, sections, and elevations is as follows:—

The providing of a place of public resort and recreation in The Parade and Wattle Tree-road, Glen Park.

And the said Council doth hereby give further notice that the said specifications, maps, plans, sections, and elevations are deposited at the office of the said Council, Town Hall, Upper Heidelberg-road, Ivanhoe, and are there open for inspection and perusal on all the days and between the hours the municipal office is appointed to be open, for the space of 40 clear days from the date of the publication of this notice in the *Government Gazette*. And the said Council doth hereby call upon all persons interested in or affected by the said proposed work or undertaking to set forth, in writing, addressed to the said Council or the Town Clerk thereof, at the Town Hall, Upper Heidelberg-road, Ivanhoe, within 40 clear days from the date of the publication of this notice as aforesaid, all objections which they may have to the said work or undertaking.

Dated this 22nd day of May, 1950.

The common seal of the Mayor, Councillors, and Citizens of the City of Heidelberg was hereto affixed by me—

(SEAL) F. PHILLIPS, Town Clerk.

in the presence of—

C. E. TUTTLEBY, Mayor.
N. G. IBBOTT, Councillor.

3053

SHIRE OF FLINDERS.

APPOINTMENT OF AND SITUATION OF POUND.

NOTICE is hereby given that, under the provisions of the *Pounds Act 1928*, the Council of the Shire of Flinders has appointed the following property to be a Pound:—

Situate in Palmerston-avenue, Dromana, and being pt. C.A.1, section E, Township of Dromana, Parish of Kangerong, in lieu of the property in Francis-street, Dromana, and has appointed John Archibald McCubbin, of Palmerston-avenue, Dromana, to be Poundkeeper.

3027

H. H. STRICKLAND, Shire Secretary.

SHIRE OF KARKAROOC.

LOAN No. 10.

Notice of Intention to Borrow the Sum of Three Thousand Pounds (£3,000) for Permanent Works and Undertakings in Shire of Karkaroc.

TAKE notice that the Council of the Shire of Karkaroc proposes to borrow, on the credit of the President, Councillors, and Ratepayers of the said shire, the sum of Three thousand pounds (£3,000), such sum to be raised by the issue of debentures, in accordance with the provisions of the *Local Government Acts*.

The maximum rate of interest that may be paid is £3 5s. per centum per annum.

Such moneys shall be repayable by providing out of the municipal fund twenty half-yearly instalments of approximately £176 18s., each including principal and interest, on the 1st day of March and the 1st day of September in each respective year during the currency of the loan, the first instalment shall be payable on 1st March, 1951.

Such moneys shall be repayable at Melbourne at the Commercial Bank of Australia Limited, or at the Council's bankers for the time being in Melbourne.

The purpose for which the loan is to be applied is—

Purchase of generating set (engine, generator, switch-board panel, vee-rope drive, &c.) for the Council's electric light undertaking in the Township of Beulah.

The plans, specifications, and estimates of the cost of the works referred to above, and a statement showing the proposed expenditure of money to be borrowed, are open for inspection at the Shire Office, Lascelles-street, Hoptoun.

Dated this 16th day of May, 1950.

3041

JOHN T. COLLINS, Shire Secretary.

SHIRE OF NUMURKAH.

BY-LAW No. 51.

A By-law of the Shire of Numurkah, made under Part VII. of Division 1 of the *Local Government Act 1946*, and also in Rules and Regulations under section VI. of the *Police Offences Act 1928*, and numbered 51, for the regulation of street traffic.

IN pursuance of the powers conferred by the *Local Government Act 1946* and by every other Act and power enabling it in that behalf, the President, Councillors, and Ratepayers of the Shire of Numurkah order as follows:—

By-law No. 41, making special Regulations as to the traffic in the Townships of Numurkah, Nathalia, Picola, Strathmerton, and Wunghnu, made on the 11th day of September, 1939, and confirmed on the 9th day of October, 1939, shall be and is repealed.

Whereas it is desirable to make special Regulations as to the traffic in the Township of Numurkah—

1. In this By-law, unless the context otherwise requires—
"Driver" means any person in charge of a vehicle or motor car or traction engine.

"Footway" includes every footpath, lane, thoroughfare, or other public place within that part of the Township of Numurkah affected by this By-law habitually used by pedestrians and not by vehicular traffic.

"Motor car" means any conveyance propelled by mechanical power and includes a motor cycle.

"Street" includes every highway, road, carriage-way, lane, thoroughfare, or other public place within the Township of Numurkah other than a footway.

"Vehicle" means any conveyance drawn or propelled by human or animal power.

"Reserve" means any piece of road or street enclosed or partially enclosed by a fence other than a tree-guard.

"Rider" means any person in charge of a horse.

2. The driver of any vehicle or motor car shall not bring such vehicle or motor car to a standstill and shall not allow it to stand in any of the streets unless the wheels of the left or near side of such vehicle or motor car or, in the case of a motor cycle, unless the two wheels thereof are not more than 2 feet distant from the footway or from the outer edge of any water channel or gutter (if any) by the side of such footway on the left or near side of such vehicle or motor car.

3. No horse, vehicle, or motor car shall be drawn up or stopped on the outer edge of any other horse, vehicle, or motor car already standing in any street or roadway in the Township of Numurkah.

4. No horse, vehicle, or motor car shall be drawn up or stopped in the parking areas delineated on the paved surface in Melville-street, in Numurkah, and reserved for the purpose of a bus stop, between the hours of Twelve noon and Two o'clock in the afternoon of any day. The said delineated parking areas shall each commence 193 feet north of the northern boundary of Knox-street and shall extend northwards for a distance of 52 feet by a width of 12 feet from the kerb line on either side of Melville-street.

5. No horse, vehicle, or motor car shall be drawn up or stopped in the parking area delineated on the paved surface in Knox-street, in Numurkah, and reserved as an entrance to the main door of the Numurkah Town Hall.

The said delineated parking area shall extend east and west from the centre line of the portico over the said main entrance of the said Town Hall for a distance of 25 feet in either direction and extending onto the roadway for a distance of 12 feet from the kerb line on the north side of the said Knox-street.

6. Any constable or Council officer may remove such unattended or unlawfully placed horse, vehicle, or motor car from the place where the same has been left by the person in charge and may deposit same at some neighbouring place of safe custody, and the costs incurred in so removing the said horse, vehicle, or motor car, and of placing and storing same, may be recovered from the person in charge, in addition to any fine.

7. Any person committing an offence against this By-law shall be liable to a penalty not exceeding £20.

The Resolution for passing this By-law was agreed to by the Council on the 6th day of March, 1950, and confirmed by the Council on the 3rd day of April, 1950.

The common seal of the President, Councillors, and Ratepayers of the Shire of Numurkah was hereunto affixed, in the presence of—

(SEAL) J. J. THORNTON, President.
LOUIS HAMON, Councillor.
J. K. DANCOCKS, Secretary.

Approved by the Governor in Council, 23rd May, 1950.—
A. MAHLSTEDT, Clerk of the Executive Council. 3054

Victoria.

ACT 391.—FIRST SCHEDULE.

I, DAVID LEWIS, authorized representative of the denomination known as the Methodist Church of Australasia in Victoria, with the consent of Donald Stuart Munro, John Charles Vale, and Donald Frank Wallace, trustees of the land described in the subjoined statement of trusts, and of Alfred Bligh, being the person entitled to minister in or occupy a building or buildings upon the said land, hereby apply to the Governor of the State of Victoria for leave to dispose of the said land by the means and for the purposes mentioned in the said statement of trusts, and I hereby certify that the said land was temporarily reserved by Order in Council of the 18th day of November, 1853, for Wesleyan Methodist Church purposes: That the only trustees of the said land resident in the State of Victoria are Donald Stuart Munro and John Charles Vale, of Bannockburn, and Donald Frank Wallace, of Teesdale: That there are no buildings upon the said land: And that the only persons entitled to minister in or occupy the same are the above-named Alfred Bligh.

Signature of head or authorized representative—D. LEWIS.

We consent to this application—

D. S. MUNRO.
J. C. VALE.
D. F. WALLACE.

Signature of person entitled to minister in or occupy building or buildings—ALFRED BLIGH.

STATEMENT OF TRUSTS.

Description of Land.—2 acres, Town of Shelford, Parish of Dorog, County of Grenville, being allotments 7, 8, 9, and 10, section 2: Commencing at the intersection of the eastern side of Tolson-street and the northern side of Ormond-street; thence by Tolson-street bearing north 400 links; thence by allotment 6, section 2, bearing east 500 links; thence by Thomson-street bearing south 400 links; and thence by Ormond-street bearing west 500 links to Tolson-street, being the point of commencement.

Names of Trustees.—Donald Stuart Munro, John Charles Vale, and Donald Frank Wallace.

Powers of Disposition.—Such powers of disposition, including powers of sale, lease, or mortgage, as are contained in the Model Deed, as defined by the *Methodist Union Act 1902*, under the trusts, powers, and provisions of which deed the said property shall until disposed of be held.

Purposes to which Proceeds of Disposition are to be Applied.—To such Methodist Church purposes as shall be approved by the trustees, or a majority thereof, with the consent of the Annual Conference of the Methodist Church of Australasia in Victoria. 3076

NOTICE is hereby given that the partnership heretofore existing between William Tasman Miles and James Charles Guillot, carrying on business as confectioners, under the style or firm name "Snowstream Confectionery," at 21 Spring-street, Prahran, has been dissolved. The said business will continue to be conducted at the same address, under the same style or firm name, by the said James Charles Guillot.

Dated the 31st day of May, 1950.

W. MILES.
J. GUILLOT.

3042

NOTICE is hereby given that the partnership heretofore subsisting between us, Anastasios Mallis and Joachim Kolber, carrying on business as cordial and sweet manufacturers at 185 Lonsdale-street, Melbourne, under the style names of "Etes Cordials" and "Etes Products," has been dissolved by mutual consent as and from the 29th day of May, 1950. All debts owing by the said firm will be paid by the said Anastasios Mallis, and all debts due to the late firm will be received by the said Anastasios Mallis, who will carry on the said business under the same firm names as heretofore.

Dated the 30th day of May, 1950.

J. KOLBER.
A. MALLIS.

Witness to signature of J. Kolber—J. W. SACKVILLE.

Witness to signature of A. Mallis—PETER NORRIS.

J. W. Sackville, LL.B., 379 Collins-street, Melbourne, and Messrs. Corr and Corr, 104 Queen-street, Melbourne. 3044

NOTICE is hereby given that the partnership heretofore subsisting in the business of fish and hamburger retailers carried on at number 12 Union-street, Geelong, between the undersigned Nicolaos Vasile Sideris and Dimitrius Stergiou, has been dissolved by mutual consent, and such business will in future be carried on by the said Nicolaos Vasile Sideris on his own account.

Dated this 31st day of May, 1950.

D. STERGIUO.
N. V. SIDERIS.

Witness—R. W. LAVERY, clerk to Messrs. Doyle and Kerr, solicitors, Geelong.

Doyle and Kerr, of "The Exchange," Little Malop-street, Geelong, and at Terang, and 108 Queen-street, Melbourne, solicitors to the above-named parties. 3052

NOTICE is hereby given that the partnership heretofore subsisting between Ivor Brache and Joseph Sestak, carrying on the business of builders, as "Brache and Sestak," at 7 Evelina-street, Box Hill, has been dissolved by mutual consent as at the 30th day of September, 1949. All debts due and owing to the said late firm will be received and paid by the said Ivor Brache, who will continue to carry on the said business under the name of Brache and Sestak, at 759 Whitehorse-road, Box Hill.

G. F. PITCHER & CO., solicitors, 443 Little Collins-street, Melbourne. 3094

In the Supreme Court.—In the matter of Part I. of the *Companies Act 1938*, and in the matter of SOUTHERN ISLE CANNERIES LIMITED.

WINDING-UP Order, made the 26th day of May, 1950. Name and address of the official liquidator is James Wallace Ross, chartered accountant (Australia), 34 Queen-street, Melbourne.

ARTHUR PHILLIPS & JUST, Equity Chambers, 472 Bourke-street, Melbourne, solicitors for Alexander Paul Clayton, the petitioning creditor. 3046

AUSTRAL WASTE PRODUCTS PTY. LTD. (IN VOLUNTARY LIQUIDATION).

NOTICE CONVENING FINAL MEETING, PURSUANT TO SECTION 236.

NOTICE is hereby given, in pursuance of section 236 of the *Companies Act 1938*, that a General Meeting of the members of the above-named company will be held at Aikman-street, South Melbourne, on Monday, the 10th day of July, 1950, at Ten o'clock in the forenoon, for the purpose of having an account laid before them showing the manner in which the winding up has been conducted and the property of the company disposed of, and of hearing any explanation that may be given by the liquidator.

Dated this 5th day of June, 1950.

3055 D. H. ALEXANDER, Liquidator.

COMPANIES ACT 1938.

I HAVE been appointed liquidator of Ye Galleone Coffee Lounge Pty. Ltd. as from 27th March, 1950. All debts due to the company should be paid to me.

MORRIS J. COHEN,
3066 Chartered Accountant (Aust.).

EUROA TIMBER MILLS PROPRIETARY LIMITED
(IN VOLUNTARY LIQUIDATION).

NOTICE is hereby given, in pursuance of section 236 of the Companies Act 1938, that a Final General Meeting of the members of the above-named company will be held at 459 Little Collins-street, Melbourne, on Wednesday, the 12th day of July, 1950, at Ten o'clock in the forenoon, for the purposes of having final accounts of the liquidator made before them showing the manner in which the winding up has been conducted and the property of the company disposed of, and hearing any explanation that may be given by the liquidator.

Dated this 29th day of May, 1950.

3067 G. GLENNY, Liquidator.

G. & S. ELECTRIC CO. PROPRIETARY LIMITED.
NOTICE OF MEETING TO WIND UP.

NOTICE is hereby given that an Extraordinary General Meeting of the above-named company will be held at 156 Chapel-street, Windsor, on Wednesday, 14th of June, 1950, at Ten o'clock in the forenoon, for the purpose of considering and, if thought fit, of passing the following Resolution as a Special Resolution:—

That the company be wound up voluntarily, and that James Greenfield, jewellery manufacturer, be appointed liquidator of the company.

Dated this 3rd day of June, 1950.

By order of the Board,
3034 O. J. DRAKE, Secretary.

Companies Act 1938.

THE SKI CLUB OF VICTORIA WAR MEMORIAL
SKI CENTRE.

NOTICE OF INTENTION TO APPLY TO ATTORNEY-GENERAL FOR LICENCE, PURSUANT TO SECTION 18 (1).

I HAROLD KEITH CARTLEDGE, of 330 Little Collins-street, Melbourne, chartered accountant, on behalf of The Ski Club of Victoria War Memorial Ski Centre, an association about to be formed to establish a war memorial ski centre as a memorial and for recreational purposes, hereby give notice of intention to apply to the Attorney-General for a licence directing that the said association be registered as a company with limited liability without the addition of the word "Limited" to its name.

Dated the 1st day of June, 1950.

H. K. CARTLEDGE, Director.
Orr and Gibson, solicitors, 379 Collins-street, Melbourne.
3093

Companies Act 1938.—In the matter of TROJAN DISTRIBUTORS
Pty. Ltd. (in Voluntary Liquidation).

NOTICE is hereby given, that by Resolution dated the 2nd day of June, the above company resolved to wind up voluntarily, and that Stuart Adam Davis, of 422 Collins-street, Melbourne, was appointed liquidator. A meeting of creditors will be held at 422 Collins-street, Melbourne, on Monday, the 19th June, 1950, at Eleven a.m., in order to comply with section 238 of the Companies Act 1938. All creditors of the company are requested to lodge a proof of debt with me on or before the date of the meeting.

STUART A. DAVIS, Liquidator.
Davis and Raven, chartered accountants (Aust.), Melbourne, 2nd June, 1950.
3084

CREDITORS, next of kin, and others having claims in respect of the estate of Doris Wilson, late of Station-street, Glenthompson, in the State of Victoria, spinster, deceased, intestate (who died on the 3rd day of December, 1949), are to send the particulars of their claims to The Trustees, Executors, and Agency Company Limited, of 401 Collins-street, Melbourne, in the said State, by the 9th day of August, 1950, after which date the said company will distribute the assets, having regard only to the claims of which it shall then have had notice.

MELVILLE & WALTER, 69-71 Thompson-street, Hamilton, solicitors for the said company.
3030

Trustee Act 1928.

NOTICE TO CLAIMANTS.

PURSUANT to the Trustee Act 1928, creditors, next of kin, and all other persons having claims in respect of the estate of any deceased person named below are required to send particulars thereof to the legal personal representative or representatives at the address stated below, on or before the date stated, after which date the representative or representatives will distribute the assets, having regard only to the claims of which notice has been received:—

William Leeper Hilary Macaulay, late of 65 Molesworth-street, Kew, in the State of Victoria, boatsheds-keeper, who died on 9th November, 1949, intestate.—Claims to the administrator, Thomas Clyde Macaulay, of 14 Deepdene-road, Balwyn, in the said State, manager, in the care of the undersigned solicitors, by 11th August, 1950. Hedderwick, Fookes, and Alston, 103 William-street, Melbourne, solicitors for the administrator.
3062

Ruby Perry, late of 54 Albert-street, Port Fairy, spinster, deceased, died 11th April, 1950.—Claims to the administrator, Reginald William Perry, of Port Fairy, contractor, care of J. W. Powling, solicitor, Port Fairy, by 15th August, 1950.
3031

Agnes Jane Dunn, late of 32 Smith-road, Camberwell, married woman, deceased, died 3rd March, 1946.—Claims to administrator, The Equity Trustees, Executors, and Agency Company Limited, at 472 Bourke-street, Melbourne, by 10th August, 1950. A. G. Hall and Wilcox, solicitors, 20 Queen-street, Melbourne.
3086

James Dunn, late of 32 Smith-road, Camberwell, retired member of Police Force, deceased, died 22nd January, 1950.—Claims to executor, The Equity Trustees, Executors, and Agency Company Limited, at 472 Bourke-street, Melbourne, by 10th August, 1950. A. G. Hall and Wilcox, solicitors, 20 Queen-street, Melbourne.
3087

PURSUANT to the Trustee Act 1928, creditors, next of kin, and all other persons having claims in respect of the estate of Elizabeth Annie Millis, formerly of Western Market Buildings, Collins-street, Melbourne, but late of 184 St. Kilda-street, Middle Brighton, spinster (who died on the 5th day of November, 1949), are to send particulars of their claims to the executor, The Equity Trustees, Executors, and Agency Company Limited, the registered office of which is situate at 472 Bourke-street, Melbourne, by the 9th day of August, 1950, after which date they will distribute the assets, having regard only to the claims of which they shall then have had notice.

MADDOCK, LONIE, & CHISHOLM, of 339 Collins-street, Melbourne, solicitors.
3048

CREDITORS, next of kin, and others having claims against the estate of Gabriel L'Huilier, late of Barton-street, Reservoir, gardener, deceased (who died on the 30th day of July, 1949), are required to send particulars of such claims to the executors, James L'Huilier and Herbert L'Huilier, care of the undersigned, at the address given hereunder, on or before the 10th day of August, 1950, after which date the said executors will distribute the assets, having regard only to the claims of which they shall then have had notice.

SLATER & GORDON, solicitors, 422 Collins-street, Melbourne.
3047

ALL persons having claims against the estate of Mary Hackett, late of 14 Anderson-street, Werribee, in the State of Victoria, married woman, deceased (who died on the 25th day of February, 1950, and probate of whose will has been applied for by National Trustees, Executors, and Agency Company of Australasia Limited, whose registered office is 95 Queen-street, Melbourne, in the said State), are hereby required to send particulars, in writing, of such claims to the said company, at its registered address aforesaid, on or before the 9th day of August, 1950, after which last-mentioned date the executor will proceed to distribute the assets of the said deceased amongst the persons entitled thereto, having regard only to the claims of which it shall then have had notice, and will not be liable for the assets, or any part thereof, so distributed to any person of whose claim it shall not have had notice as aforesaid.

BERNARD NOLAN, 408 Collins-street, Melbourne, solicitor.
3059

CREDITORS, next of kin, and others having claims against the estate of William McComb, late of "Corinya," 28 Ryeburn-avenue, Upper Hawthorn, in the State of Victoria, retired grazier, deceased (who died on the 22nd day of March, 1950), are hereby required to send particulars, in writing, of such claims to the Equity Trustees, Executors, and Agency Company Limited, of 472 Bourke-street, Melbourne, on or before the 12th day of August, 1950, after which date it will proceed to convey or distribute the assets, having regard only to the claims of which it then has notice.

EGGLESTON, LEE, & CLIFTON-JONES, of 143 Queen-street, Melbourne, solicitors. 3050

HERBERT VICTOR TOWNSEND, late of 42 Seymour-road, Elsterwick, gentleman (who died on the 19th February, 1950).

CREDITORS, next of kin, and all others having claims in respect of the estate of the deceased are required by the executor, The Trustees, Executors, and Agency Company Limited, of 401 Collins-street, Melbourne, to send particulars of such claims to the said company, on or before the 10th August, 1950, after which date the said company will proceed to distribute the estate of the said deceased, having regard only to the claims of which the said company then has notice.

DAVIES, CAMPBELL, & PIESSE, 401 Collins-street, Melbourne, solicitors. 3049

CHARLES McLELLAN, DECEASED.

PURSUANT to the *Trustee Act* 1928, notice is hereby given that all persons having claims against the estate of Charles McLellan, formerly of Martin-street, Heidelberg, in the State of Victoria, contractor, but late of 7 Bellevue-avenue, Heidelberg aforesaid, gentleman, deceased (who died on the 19th day of April, 1950), are hereby requested to send particulars, in writing, of such claims to Austin Charles Mulkearns, solicitor, 108 Queen-street, Melbourne, one of the executors appointed by the deceased's will (leave being reserved to George Routledge, the other executor named therein, to come in and prove the same), care of the undersigned solicitors, on or before the 5th day of August, 1950, after which date the said executor will proceed to distribute the assets of the said deceased amongst the persons entitled thereto, having regard only to the claims of which he shall have had notice.

Dated this 6th day of June, 1950.

MORGAN, FYFFE, & MULKEARNS, Vaughan House, 108 Queen-street, Melbourne, solicitors for the applicant. 3064

EMILY NORA MASSINGHAM INGRAM, DECEASED.

PURSUANT to the *Trustee Act* 1928, notice is hereby given that all persons having claims against the estate of Emily Nora Massingham Ingram, late of 20 Mutimer-street, East Preston, in the State of Victoria, widow, deceased (who died on the 1st day of May, 1950), are hereby requested to send particulars, in writing, of such claims to Austin Charles Mulkearns, solicitor, 108 Queen-street, Melbourne, the executor appointed by the deceased's will, care of the undersigned solicitors, on or before the 5th day of August, 1950, after which date the said executor will proceed to distribute the assets of the said deceased amongst the persons entitled thereto, having regard only to the claims of which he shall have had notice.

Dated this 6th day of June, 1950.

MORGAN, FYFFE, & MULKEARNS, Vaughan House, 108 Queen-street, Melbourne, solicitors for the applicant. 3065

WILLIAM JOSEPH McNEILL, late of Aphrasia-street, Newtown, Geelong, in the State of Victoria, gentleman, DECEASED.

CREDITORS, next of kin, and all persons having claims against the estate of the above-named deceased are required by the executors of the will of the said deceased, William Francis McNeill, of Swanston-street, Geelong aforesaid, draftsman, and Beryl Mary Cooney, of 19 Margaret-street, Canterbury, in the said State, married woman, to send particulars to them, care of H. R. Fidge, solicitor, 47A Yarra-street, Geelong aforesaid, on or before the 8th day of August, 1950, after which date the said executors will distribute the assets of the said State, having regard only to the claims of which they then have notice.

H. R. FIDGE, LL.B., 47A Yarra-street, Geelong, solicitor for the executors. 3029

CREDITORS, next of kin, and others having claims in respect of the estate of Mary Agnes Norden, late of 21 North-street, Ascot Vale, in the State of Victoria, widow, deceased (who died on the 6th day of May, 1950), are to send particulars of their claims to the executor, National Trustees, Executors, and Agency Company of Australasia Limited, of 95 Queen-street, Melbourne, in the said State, by the 8th day of August, 1950, after which date the said company will distribute the assets, having regard only to the claims of which it shall then have had notice.

M. MORNANE, solicitor, 95 Queen-street, Melbourne. 3060

CREDITORS, next of kin, and others having claims in respect of the estate of John Moloney, late of 37 Robinson-road, Moonee Ponds, in the State of Victoria, no occupation, deceased (who died on the 24th day of November, 1949), are to send particulars of their claims to the executor, National Trustees, Executors, and Agency Company of Australasia Limited, of 95 Queen-street, Melbourne, in the said State, by the 8th day of August, 1950, after which date the said company will distribute the assets, having regard only to the claims of which it shall then have had notice.

M. MORNANE, solicitor, 95 Queen-street, Melbourne. 3061

CREDITORS, next of kin, and others having claims against the estate of Annie Campbell McNeillage, late of Number 4 Maysbury-avenue, Brighton Beach, in the State of Victoria, spinster, deceased (who died on the 29th day of January, 1950), are to send particulars of their claims to The Trustees, Executors, and Agency Company Limited, of 401 Collins-street, Melbourne, in the said State, by the 12th day of August, 1950, after which date the said company will distribute the assets, having regard only to the claims of which it then has notice.

ABBOTT, STILLMAN, & WILSON, 422 Little Collins-street, Melbourne, solicitors. 3063

CREDITORS, next of kin, and all others having claims against the estate of William Connell Kingston, late of Ellenbank, grazier, deceased, are required to send particulars thereof to the undersigned solicitors for the executrices, Catherine Marky Kingston, widow, and Willa Minto Kingston, spinster, both of Ellenbank aforesaid, and Jane Minto McNeil, of Warragul aforesaid, on or before the 10th day of August, 1950, after which date the said executrices will proceed to distribute the assets, having regard only to the claims of which they shall then have had notice.

GRAY, FRIEND, & MOONIE, solicitors, Warragul. 3028

THE FIDELITY TRUSTEE COMPANY LIMITED, of 101 Lydiard-street north, Ballarat, in the State of Victoria, the administrator of the estate of Bridget Theresa Kenneally, late of Lurg, via Glenrowan, widow, deceased (who died on the 12th day of March, 1950), requires all creditors, next of kin, and others having claims against the property or estate of the said deceased to send to the said company, at 50 Market-street, Melbourne, on or before the 21st day of August, 1950, particulars, in writing, of such claims, after which date the said company intends to convey or distribute such property or estate to or among the persons entitled thereto, having regard only to the claims of which it shall have had notice.

Dated this 1st day of June, 1950.

HAMILTON, CLARKE, & CLARKE, of 63 Nunn-street, Benalla, proctors for the said company. 3033

THE PERPETUAL EXECUTORS AND TRUSTEES ASSOCIATION OF AUSTRALIA LIMITED, whose registered office is situate at Nos. 100-104 Queen-street, Melbourne, in the State of Victoria, the executor of the will of Lydia Harrison, late of Nunn-street, Benalla, married woman (who died on the 28th day of September, 1949), requires all creditors, next of kin, and others having claims against the property or estate of the said deceased to send to the said association, on or before the 21st day of August, 1950, particulars, in writing, of such claims, after which date the said association intends to convey or distribute such property or estate to or among the persons entitled thereto, having regard only to the claims of which it shall have had notice.

Dated this 1st day of June, 1950.

HAMILTON, CLARKE, & CLARKE, of 63 Nunn-street, Benalla, proctors for the said association. 3032

PURSUANT to the *Trustee Act 1928*, all persons having claims against the property or estate of Ernest James Turner, late of Rutherglen, in the State of Victoria, ironmonger, deceased, intestate (who died on the 26th day of October, 1949, and letters of administration of whose estate were granted by the Supreme Court of Victoria on the 19th day of May, 1950, to Bruce Ernest Turner, of Rutherglen aforesaid, ironmonger, the eldest son and one of the next of kin of the said deceased), are hereby required to send particulars of such claims to the said administrator, addressed to the care of Frank B. Lethbridge, solicitor, Rutherglen, on or before the 7th day of August, 1950, after the expiration of which time the said administrator will proceed to distribute the assets of the said deceased amongst the persons entitled thereto, having regard only to the claims of which he shall then have had notice.

Dated the 31st day of May, 1950.

FRANK B. LETHBRIDGE, of Rutherglen, solicitor for the administrator. 3068

CREDITORS and next of kin and others having claims in respect of the estate of Elizabeth Facey, late of Boort, in the State of Victoria, widow, deceased (who died on the 14th day of January, 1950), are to send particulars of their claims to the administrator, care of M. Hercules, of Boort, solicitor, by the 12th day of August, 1950, after which date he will distribute the assets, having regard only to the claims of which he then has notice.

M. HERCULES, LL.B., solicitor, Boort. 3069

CREDITORS and next of kin and others having claims in respect of the estate of Ernest Frederick Rettke, late of Charlton, in the State of Victoria, retired butcher, deceased (who died on the 7th day of March, 1950), are to send particulars of their claims to the executor, M. Hercules, of Boort, by the 12th day of August, 1950, after which date he will distribute the assets, having regard only to the claims of which he then has notice.

M. HERCULES, LL.B., solicitor, Boort. 3070

MARGARET CAMPBELL, DECEASED.

CREDITORS, next of kin, and others having claims in respect of the estate of Margaret Campbell, late of "Trewithen," 7 Gordon-street, Toorak, in the State of Victoria, widow, deceased (who died on the 29th day of January, 1950), are to send the particulars of their claims to The Union Trustee Company of Australia Limited, of 333 Collins-street, Melbourne, in the said State, by the 8th day of August, 1950, after which date the executor will distribute the assets, having regard only to the claims of which the executor then has notice as aforesaid.

MELVILLE & MCONKEY, solicitors, 224 Glenferrie-road, Malvern. 3071

JOHN DUNCAN, late of Granville, in the State of New South Wales, retired engineer (who died on 10th January, 1950).

CREDITORS and all other persons having claims against the estate of the deceased are required by the administrator, with the will annexed, of his estate, The Public Trustee in and for the State of New South Wales, of 19 O'Connell-street, Sydney, in that State, to send particulars to him, in writing, on or before 10th August, 1950, after which date the assets will be distributed, having regard only to the claims of which notice has then been received.

PLANTE & HENTY, 395 Collins-street, Melbourne, solicitors for the administrator, c.t.a. 3074

NOTICE TO CLAIMANTS.

ALL persons having claims against the property or estate of Edith Elizabeth Armstrong, late of 46 Coppin-street, East Malvern, in the State of Victoria, married woman, deceased (who died on the 18th day of March, 1950), are hereby required to send particulars, in writing, of such claims to George Philip Armstrong and Gifford Valmyr Harris (the persons who have made application to the Registrar of Probates for a grant of probate of the will and two codicils thereto of the said deceased), care of Oswald Burt and Co., 394 Collins-street, Melbourne, in the said State, on or before the 9th day of August, 1950, after which date the said persons may proceed to distribute the assets of the said Edith Elizabeth Armstrong, deceased, which shall have come to their hands, amongst the persons entitled thereto, having regard only to the claims of which they then shall have had notice, and will not be liable for the assets so distributed, or any part thereof, to any person whose claim they shall not then have had notice.

OSWALD BURT & CO., of 394 Collins-street, Melbourne, solicitors for the estate. 3099

ANNIE BEATRICE BLOOMFIELD, late of Wellington, in New Zealand, spinster (who died on 28th June, 1948).

CREDITORS, next of kin, and all other persons having claims against the estate of the deceased are required by the administrator of her estate, The Public Trustee in and for the State of New South Wales, of 19 O'Connell-street, Sydney, in that State, to send particulars of such claims to him, in writing, on or before 10th August, 1950, after which date the assets will be distributed, having regard only to the claims of which notice has then been received.

PLANTE & HENTY, 395 Collins-street, Melbourne, solicitors for the administrator. 3075

CREDITORS, next of kin, and others having claims in respect of the estate of Catherine Mary Wells, late of 583 Station-street, North Carlton, married woman, deceased (who died on the 9th day of February, 1950), are to send the particulars of their claims to The Equity Trustees, Executors, and Agency Company Limited, of 472 Bourke-street, Melbourne, by the 17th day of August, 1950, after which date it will distribute the assets, having regard only to the claims of which it then has notice.

NORMAN J. SHANKLY, LL.B., solicitor, 31 Queen-street, Melbourne. 3095

CREDITORS, next of kin, and others having claims in respect of the estate of Willis Price Conley Spiller, late of Cotham-road, Kew, retired chemist, deceased (who died on the 30th day of December, 1949), are to send the particulars of their claims to the executors, The Equity Trustees, Executors, and Agency Company Limited, of 472 Bourke-street, Melbourne, and Eveline Louisa Spiller, of 115 Cotham-road, Kew, widow, care of The Equity Trustees, Executors, and Agency Company Limited, 472 Bourke-street, Melbourne, by the 17th day of August, 1950, after which date the executors will distribute the assets, having regard only to the claims of which they then have notice.

NORMAN J. SHANKLY, LL.B., solicitor, 31 Queen-street, Melbourne. 3096

CLAUDE HAROLD PROBERT, late of 7 Bagley-street, Brighton Beach, gentleman (who died on the 13th September, 1949).

CREDITORS, next of kin, and all other persons having claims against the estate of the deceased are required by the executors of the will, Francis Roche Gubbins, of 433 Little Collins-street, Melbourne, solicitor, Charles Cardwardine Probert, of 30 Russell-street, Ivanhoe, group captain, and Beatrice Elaine Angwin, of 14 Villiers-street, Elsternwick, accountant, to send particulars to them, care of the undersigned, on or before 14th August, 1950, after which date they will distribute the assets, having regard only to the claims of which they then have notice.

SNOWDEN, NEAVE, & DEMAINE, solicitors, 433 Little Collins-street, Melbourne. 3097

MINNIE TOWNSEND, late of 4 Melby-avenue, St. Kilda, widow (who died on the 22nd July, 1949).

CREDITORS, next of kin, and all others having claims against the estate of the deceased are required by the executrix of the will, Lillian Alice Ashmore, of "Rays End," 61 Tramway-parade, Beaumaris, married woman, to send particulars to her, care of the undersigned, on or before 8th August, 1950, after which date the assets will be distributed, having regard only to the claims which notice shall have been received.

DUNCAN MACKINNON & CO., solicitors, 379 Collins-street, Melbourne. 3092

CREDITORS, next of kin, and other persons having claims in respect of the estate of Jack Mansfield Smith, formerly of 14 North-road, Brighton, but late of Clendon-road, Toorak, bank officer, deceased (who died on the 19th day of January, 1950, and probate of whose will was granted to John Benjamin Robinson, of 32 Parlington-street, Canterbury, bank officer, and Henry Douglas Milne, of 5 Craddock-avenue, Caulfield, legal officer), are hereby required to send particulars, in writing, of such claims to the executors, care of the undersigned, on or before the 9th day of August, 1950, after which date the said executors will proceed to distribute the estate of the testator among the persons entitled thereto, having regard only to the claims of which they shall then have had notice.

Dated the 6th day of June, 1950.

KIDDLE, BRIGGS, & WILLOX, of 15 Queen-street, Melbourne, solicitors for the executors. 3088

CREDITORS, next of kin, and others having claims in respect of the estate of Leonard Wagstaff, formerly of Drouin, in the State of Victoria, but late of Narre Warren, in the said State, quarry foreman, deceased (who died on the 22nd day of December, 1949), are to send particulars of their claims to National Trustees, Executors, and Agency Company of Australasia Limited, of 95 Queen-street, Melbourne, in the said State, on or before the 15th day of August, 1950, after which date it will distribute the assets, having regard only to the claims of which it then has notice.

Dated 1st June, 1950.

M. DAVINE, solicitor, Warragul.

3035

CREDITORS, next of kin, and others having claims in respect of the estate of Neil Beaton, late of Shelford, farmer, deceased (who died on the 2nd day of March, 1950), are to send the particulars of their claims to The Fidelity Trustee Company Limited (formerly The Ballarat Trustees, Executors, and Agency Company Limited), at its branch office, situate at Malop-street, Geelong, by the 10th day of August, 1950, after which date it will distribute the assets, having regard only to the claims of which it then has notice.

HARWOOD & PINCOTT, solicitors, 51 Yarra-street, Geelong.

3038

CREDITORS, next of kin, and others having claims in respect of the estate of Margaret Ann Cameron, formerly of Errard-street south, Ballarat, in the State of Victoria, but late of 803 Lydiard-street north, Ballarat aforesaid, spinster, deceased (who died on the 15th day of March, 1950), are to send particulars of their claims to The Fidelity Trustee Company Limited (formerly The Ballarat Trustees, Executors, and Agency Company Limited), of 101 Lydiard-street north, Ballarat aforesaid, by the 16th day of August, 1950, after which date it will distribute the assets, having regard only to the claims of which it then has notice.

CUTHBERT, MORROW, MUST, & SHAW, solicitors, Ballarat.

3039

ALL persons having claims against the estate of Jane Mary McQueen, late of Waubra, in the State of Victoria, spinster, deceased (application for probate of whose will has been lodged by The Fidelity Trustee Company Limited, of 101 Lydiard-street north, Ballarat, the executor appointed by the said will), are hereby required to send particulars thereof, in writing, to the said company, on or before the 17th day of August, 1950, after which date the said company will proceed to distribute the assets of the said deceased, having regard only to the claims of which it shall then have had notice, and the said company will not be liable for the assets so distributed, or any part thereof, to any person of whose claim it shall not then have had notice.

CLARKE & DOBSON, of 52 Lydiard-street, Ballarat, solicitors for the said company.

3040

CREDITORS, next of kin, and others having claims in respect of the estate of David Henry Stewart Murdoch, late of Romsey, retired medical practitioner, deceased (who died on 25th February, 1950), are to send particulars of their claims to Noel Murdoch and David Keith Murdoch, care of the undersigned, by 12th August, 1950, after which they will distribute the assets, having regard only to the claims of which they then have notice.

W. A. PRENDERGAST & ROBINSON, solicitors, 17 Queen-street, Melbourne.

3043

PURSUANT to the provisions of the *Trustee Act 1928*, notice is hereby given that all persons claiming against the estate of James Sidney Mason, late of "Wayside," Gold Links-road, Ferndown, Dorsetshire, England, retired major in His Majesty's army, deceased (who died on the 24th day of September, 1948, and probate of whose will and one codicil thereto was, on the 8th day of May, 1950, resealed by the Supreme Court of Victoria upon being produced by Roy James McArthur, of 46 Queen-street, Melbourne, solicitor, the duly constituted attorney under power of the executors appointed thereby), are hereby required to send particulars, in writing, of such claims to the said Roy James McArthur, to care of Malleison, Stewart, and Co., at the address below, on or before the 9th day of August, 1950, after which date the said Roy James McArthur will proceed to survey or distribute the said estate to or among the persons entitled thereto, having regard only to the claims, whether formal or not, of which he shall then have had notice, and will not be liable for the assets so distributed to any person of whose claim he shall not then have had notice.

MALLEISON, STEWART, & CO., solicitors, 46 Queen-street, Melbourne.

3091

CREDITORS, next of kin, and others having claims in respect of the estate of Angelina Mary Evans, formerly of 27 Stanley-grove, Camberwell, but late of 1 Ardmillan-road, Moonee Ponds, widow, deceased (who died on the 4th January, 1950), are to send particulars of their claims to The Equity Trustees, Executors, and Agency Company Limited, of 472 Bourke-street, Melbourne, by the 11th August, 1950, after which date it will distribute the assets, having regard only to the claims of which it then has notice.

R. C. H. BEATTIE, solicitor, 422 Little Collins-street, Melbourne.

3045

CREDITORS, next of kin, and others having claims in respect of the estate of Christopher John Bant, formerly of The Prince of Wales Hotel, Geelong, in the State of Victoria, hotelkeeper, but late of Omeo, in the said State, merchant, deceased (who died on the 22nd day of November, 1949), are requested to send particulars of their claims to The Trustees, Executors, and Agency Company Limited, at its registered office, at 401 Collins-street, Melbourne, in the said State, by the 10th day of August, 1950, after which date it will distribute the assets, having regard only to the claims of which it then has notice.

H. T. LUMSDEN, solicitor, Omeo.

3090

CREDITORS, next of kin, and others having claims against the estate of Maria Elisabeth Albrecht, late of Gerang, in the State of Victoria, widow, deceased (who died on the 28th day of May, 1949), are required to send particulars, in writing, of their claims to Friedrich Wilhelm Albrecht and Theodore Gotthilf Albrecht, the executors to whom probate of the last will of the said deceased was granted, care of the undersigned, on or before the 15th day of August, 1950, after which date they will distribute the assets, having regard only to those claims of which they then have notice.

TURNER & HOBDAY, solicitors, 10 Victoria-street, Nhill.

3077

In the Supreme Court of the State of Victoria.—*Fi. Fa.*

NOTICE is hereby given that, under and by virtue of a certain process issued out of the Supreme Court of the State of Victoria and directed to the Sheriff, requiring him to levy certain moneys of the real and personal estate of Myers-Morgan (Construction) Pty. Limited, of 279 Little Collins-street, Melbourne, a proprietary limited company, the said Sheriff will, on Monday, the 17th day of July, 1950, at the hour of Eleven o'clock in the forenoon, cause to be sold at the Police Station, Roseberry-avenue, Preston (unless the said process shall have been previously satisfied or the said Sheriff be otherwise stayed):—

All the right, title, estate, and interest (if any) of the said Myers-Morgan (Construction) Pty. Limited, in and to (1) all that piece of land being lot 5 on plan of subdivision No. 10876, lodged in the Office of Titles, and being part of Crown portion 146, Parish of Jika Jika, County of Bourke, and being the whole of the land more particularly described in certificate of title, volume 6932, folio 1386317. (2) All that piece of land being lots 108 and 111 on plan of subdivision No. 10876, lodged in the Office of Titles, and being part of Crown portion 146, Parish of Jika Jika, County of Bourke, and being the land now comprised in certificate of title, volume 7057, folio 1411338. (3) All that piece of land being lot 115 on plan of subdivision No. 10876, lodged in the Office of Titles, and being part of Crown portion 146, Parish of Jika Jika, County of Bourke, and being the land now comprised in certificate of title, volume 7211, folio 1442104. (4) All that piece of land being lot 134 on plan of subdivision No. 10876, lodged in the Office of Titles, and being part of Crown portion 146, Parish of Jika Jika, County of Bourke, and being the whole of the land more particularly described in certificate of title, volume 7211, folio 11442110.

N.B.—Terms: Cash. No cheques taken.

Dated at Melbourne, this 6th day of June, 1950.

3073 FRANCIS H. TUCKER, Sheriff's Officer.

In the Supreme Court of the State of Victoria.—*Fi. Fa.*

NOTICE is hereby given that, under and by virtue of a certain process issued out of the Supreme Court of the State of Victoria and directed to the Sheriff, requiring him to levy certain moneys of the real and personal estate of Mary Agnes Meadows, of 16 Roy-street, South Melbourne, married woman (such sum and costs to be payable out of her separate property as hereinafter mentioned and not otherwise, and it is ordered that execution herein be limited to her separate property not subject to any restriction against anticipation, unless by reason of section 22 of the *Married Women's Property Act 1928* the property

shall be liable to execution notwithstanding such restriction), the said Sheriff will, on Friday, the 14th day of July, 1950, at the hour of Eleven o'clock in the forenoon, cause to be sold at the Police Station, Bank-street, South Melbourne (unless the said process shall have been previously satisfied or the said Sheriff be otherwise stayed):—

All the right, title, estate, and interest (if any) of the said Mary Agnes Meadows, as aforesaid, in and to all that piece of land being part of Crown allotment 5, section 38, City of South Melbourne, Parish of Melbourne South, County of Bourke, and being the land more particularly described in certificate of title, volume 7341, folio 1468071, standing in the register book in the name of the said Mary Agnes Meadows.

N.B.—Terms: Cash. No cheques taken.

Dated at Melbourne this 2nd day of June, 1950.

3102 FRANCIS H. TUCKER, Sheriff's Officer.

MINING NOTICES.

TAWONGA GOLD MINING COMPANY NO LIABILITY.

NOTICE is hereby given that a Call (the 14th) of Three pence per share has been made upon all shares in the company, due and payable to the manager, at the registered office, 77A Spensley-street, Clifton Hill, on Wednesday, 14th June, 1950.

Dated the 2nd day of June, 1950.

By order of the Board,

3083 M. B. COOPER, Manager.

GOLDEN HIND MINING CO. NO LIABILITY.

NOTICE is hereby given that a Call (the 3rd) of Six pence per share has been made on the capital of the company, due and payable on Wednesday, the 14th June, 1950, at the registered office, 379 Collins-street, Melbourne. The call may be paid by instalments as follows:—

Three pence (3d.) per share on 14th June, 1950, and
Three pence (3d.) per share on 29th June, 1950.

By order of the Board,

3072 F. MATTHEWS, Manager.

NORTHERN STAR GOLD MINES NO LIABILITY.

NOTICE is hereby given that a Call (the 26th) of Four pence per share has been made upon all the contributing shares in the company, due and payable to the manager, at the registered office, 140 Queen-street, Melbourne, on Wednesday, 14th June, 1950.

3100 F. L. SMYTH, Manager.

ARGUS HILL CHEWTON GOLD NO LIABILITY.

NOTICE is hereby given that a Call (No. 79) of Three pence per share (making shares paid up to 22s. 3d.) has been made, and is due and payable to me, at the registered office, 422 Collins-street, Melbourne, on Wednesday, 14th June, 1950.

By order of the Board,

3079 FRANK COOPER, Manager.

MOUNT TODD GOLD MINE NO LIABILITY.

NOTICE is hereby given that a Call (No. 15) of Six pence per share (making shares paid up to 13s.) has been made, and is due and payable to me, at the registered office, 422 Collins-street, Melbourne, on Wednesday, 14th June, 1950.

By order of the Board,

3080 FRANK COOPER, Manager.

ARDLETHAN TIN RESIDUES NO LIABILITY.

NOTICE is hereby given that a Call (No. 4) of Three shillings per share (making shares paid up to 14s.) has been made, and is due and payable to me, at the registered office, 422 Collins-street, Melbourne, on Wednesday, 14th June, 1950.

By order of the Board,

3081 FRANK COOPER, Manager.

No. 518.—5482/50.—3

ROMA BLOCKS OIL COMPANY NO LIABILITY.

NOTICE is hereby given that a Call (the 61st) of Two pence per share has been made on all the issued contributing shares in the capital of the company (making the said shares paid to 17s. 6d. each), due and payable at the registered office of the company, No. 360-366 Collins-street, Melbourne, on Wednesday, the 14th day of June, 1950.

By order of the Board,

3082 L. B. TOMLINS, Legal Manager.

NORTH NELL GWYNNE GOLD MINES NO LIABILITY.

NOTICE is hereby given that a Call (the 92nd) of Three pence per share has been made on all shares in the company, numbered 1 to 60,000 (making such shares paid up to 32s. each), due and payable at the registered office of the company, 46 Queen-street, Melbourne, on Wednesday, 14th June, 1950.

By order of the Board,

F. H. TADGELL, Manager.
Dickenson and Tadgell, chartered accountants (Aust.),
46 Queen-street, Melbourne, C.I. 3085

CHEWTON GOLD MINES N. L.

NOTICE is hereby given that a Call (the 88th) of Three pence per share (making shares £1 5s. 3d. paid up) has been made upon the capital of the company, due and payable at the registered office of the company, 430 Little Collins-street, Melbourne, on Wednesday, the 14th day of June, 1950.

By order of the Board,

3089 A. E. LLEWELLYN, Manager.

NORTHERN STAR GOLD MINES NO LIABILITY.

NOTICE is hereby given that all shares forfeited for non-payment of the 25th (May) Call of Four pence per share will be sold by public auction at the Stock Exchange Hall, 428 Little Collins-street, Melbourne, on Thursday, 15th June, 1950, at a quarter to Twelve o'clock a.m., unless the shares be previously redeemed.

F. L. SMYTH, Manager.

Registered office: 140 Queen-street, Melbourne. 3101

ARGUS HILL CHEWTON GOLD NO LIABILITY.

NOTICE is hereby given that all shares forfeited for non-payment of No. 78 (May) Call of Three pence per share will be sold by public auction in the vestibule of the Stock Exchange, 428 Chancery-lane, Melbourne, on Wednesday, 14th June, 1950, at a quarter to Twelve a.m., unless previously redeemed.

By order of the Board,

FRANK COOPER, Manager.
422 Collins-street, Melbourne, C.I. 3078

GREAT WESTERN CONSOLIDATED NO LIABILITY.

NOTICE is hereby given that all shares in Great Western Consolidated No Liability forfeited for non-payment of the 2nd Call of One shilling per share, which was due and payable on 10th May, 1950, will be sold by public auction in the vestibule of the Stock Exchange of Melbourne, on Thursday, 15th June, 1950, at a quarter to Twelve a.m., if not redeemed by payment of the above call on or before the day previous to the day of sale.

By order of the Board,

L. EDWARDS, Manager.
360 Collins-street, Melbourne, 5th June, 1950. 3098

IMPOUNDINGS.

BERWICK.—Impounded in Berwick Pound.

1 roan heifer, about 3 years, no visible brand

If not claimed and expenses paid, to be sold on 16th June, 1950.

H. NIXON,
3026—5/6 Poundkeeper.

BRANXHOLME.—Impounded at Branhholme, by Ranger, from Camp Creek-road.

1 black heifer, square front notch off ear, no visible brand
1 Jersey heifer, square front notch off ear, no visible brand
1 brown heifer, square front notch off ear, no visible brand

If not claimed and expenses paid, to be sold on 24th June, 1950.

J. ATKINSON,
Poundkeeper.

3109—8/3

BRAYBROOK.—Impounded in Braybrook Shire Pound.

1 Jersey cow, no visible brand
1 red and white cow, no visible brand

If not claimed and expenses paid, to be sold on 24th June, 1950.

L. R. CRAMMOND,
Poundkeeper.

3058—6/5

BROADMEADOWS.—Impounded at Campbellfield.

1 grey delivery gelding, long tail, unshod, no visible brand
1 chestnut medium draught mare, white face, shod, no visible brand

1 bay delivery mare, white face, off front and hind feet white, half clipped, no visible brand

1 brown mare, 15 hands, hind feet white, no visible brand
1 red heifer, 12 months, star, earmarked on off ear, no visible brand

1 brindle and white heifer, 6 months, earmarked on off ear, no visible brand

1 red and white heifer, 9 months, no visible brand

If not claimed and expenses paid, to be sold on 22nd June, 1950.

E. F. SMILEY,
Shire Secretary.

3114—14/8

DIGBY.—Impounded at Digby.

1 bay light draught horse, three white feet, no visible brand

If not claimed and expenses paid, to be sold on 22nd June, 1950.

R. E. BURGESS,
Poundkeeper.

3112—6/5

EAGLEHAWK.—Impounded at Eaglehawk, by F. Watson.

1 black and brown Shorthorn cow, E. off side hind quarter

If not claimed and expenses paid, to be sold on 22nd June, 1950.

H. J. SURTEES,
Poundkeeper.

3103—5/6

ELTHAM.—Impounded in Eltham Shire Pound, by Ranger.

1 silver Jersey cow, no visible brand

If not claimed and expenses paid, to be sold on 14th June, 1950.

W. J. WALSH,
Poundkeeper.

3104—6/5

ESKDALE.—Impounded off Omeo Highway.

1 red and white Shorthorn cross heifer, small piece out top both ears, piece out under side left ear, no visible brand

If not claimed and expenses paid, to be sold on 23rd June, 1950.

GEORGE LORD,
Poundkeeper.

3113—6/5

HEIDELBERG.—Impounded at Greensborough.

1 chestnut gelding, no visible brand

If not claimed and expenses paid, to be sold on 21st June, 1950.

J. M. PARTINGTON,
Poundkeeper.

3036—5/6

MAFFRA.—Impounded at Maffra by W. Pascoe.

1 bay or brown pony mare, hind feet white, shod, like 7 near shoulder

1 brown mare, hack, star, four black points, no visible brand

If not claimed and expenses paid, to be sold on 30th June, 1950.

J. H. GIESCHEN,
Poundkeeper.

3037—8/3

MANSFIELD.—Impounded by I. Malone, Ancona.

1 red Shorthorn bullock, two notches back near ear, no visible brand

If not claimed and expenses paid, to be sold on the 23rd June, 1950.

R. WOMERSLEY,
Poundkeeper.

3057—6/5

MERBEIN.—Impounded at Merbein.

1 heavy draught gelding, white hind legs, white nose, little white on near front leg, no visible brand

If not claimed and expenses paid, to be sold on 22nd June, 1950.

ELSIE CHAMBERLAIN,
Poundkeeper.

3106—6/5

MOOROOPNA.—Impounded at Mooroopna Pound, on 26th May, 1950.

1 roan medium draught mare, aged, white legs, blaze, no visible brand

1 bay pony mare, blaze, white hind fetlocks, no visible brand

If not claimed and expenses paid, to be sold on 22nd June, 1950.

T. J. CHALKER,
Poundkeeper.

3110—8/3

NHILL.—Impounded at Nhill.

1 Border Leicester ram, ear tag E. L. Grande 102

If not claimed and expenses paid, to be sold on 21st June, 1950.

A. J. HANN,
Poundkeeper.

3105—5/6

NUMURKAH.—Impounded at Numurkah, by F. G. Purchase.

1 black light delivery gelding, white blaze, three white feet, no visible brand

If not claimed and expenses paid, to be sold on 23rd June, 1950.

F. W. GLARE,
Poundkeeper.

3108—7/4

PORTLAND.—Impounded at Portland on Sunday, 28th May, 1950, from Town roads, South Portland.

1 brown mare, no visible brand

If not claimed and expenses paid, to be sold on 22nd June, 1950.

A. M. MERRETT,
Poundkeeper.

3056—6/5

RED CLIFFS.—Impounded at Red Cliffs.

1 dark bay draught mare, white hind legs, blaze face, no visible brand

1 bay draught gelding, aged, white spot on forehead, near side hind foot white, no visible brand

1 bay draught gelding, white streak on forehead, off side hind foot white, short cobb tail, no visible brand

1 light bay draught mare, blaze face, near side hind foot white, no visible brand

If not claimed and expenses paid, to be sold on 22nd June, 1950.

J. HERAUD,
Poundkeeper.

3107—11/11

SHEPPARTON.—Impounded in Shepparton Pound.

1 bay gelding, light sort, aged, no visible brand

1 bay gelding, light sort, aged, cross on near shoulder

1 bay draught mare, white blaze, hind feet white, no visible brand

1 bay draught gelding, white blaze, hind feet white, no visible brand

If not claimed and expenses paid, to be sold on 22nd June, 1950.

G. F. WALTERS,
Poundkeeper.

3111—10/1

WODONGA.—Impounded at Wodonga on 27th May, 1950.

1 Jersey cow, aged, slit in top of near ear, slit at base of off ear, smudge brand near rump

If not claimed and expenses paid, to be sold on 24th June, 1950.

J. W. COLE,
Poundkeeper.

3051—6/5

STATE ACTS, 1949.

STATE ACTS, 1949—*continued.*

COPIES of the following Acts of Parliament of Victoria may be obtained at the Government Printing Office, or from any bookseller, at the price set opposite to each:—

No.	Price.
	s. d.
5362. Miners' Phthisis (Treasury Allowances) Amendment	0 5
5363. Country Roads (Financial)	0 6
5364. Horsham Land	0 6
5365. Mental Institution Benefits	0 6
5366. Royal Commission (Communist Party)	0 6
5367. Melbourne and Metropolitan Tramways (Chairman)	0 6
5368. State Electricity Commission (Chairman)	0 6
5369. River Murray Waters	0 9
5370. Soldier Settlement	0 9
5371. Consolidated Revenue	0 6
5372. Agricultural Education	0 9
5373. Forestry Pulp and Paper Company's Afforestation Contracts	1 0
5374. Shearers Accommodation	1 3
5375. Water	0 9
5376. Consolidated Revenue	0 6
5377. Mildura Irrigation and Water Trusts (Financial)	0 6
5378. Collingwood (Unimproved Rating Poll)	0 6
5379. Crimes	1 3
5380. Governor's Salary	0 6
5381. Consolidated Revenue	0 6
5382. Wrongs (Tort-feasors)	0 6
5383. State Development	0 6
5384. Grain Elevators (Financial)	0 6
5385. Imported Materials Loan and Application	0 6
5386. Royal Commission (Communist Party) Amendment	0 6
5387. Minister of Education	0 6
5388. Municipal Endowment (Temporary Discontinuance)	0 6
5389. Land Tax	0 6
5390. Stamps (Increased Duty Continuance)	0 6
5391. Railways (Long Service)	0 6
5392. Williamstown Lands	0 6
5393. Greta Lands Exchange	0 6
5394. Consolidated Revenue	0 6
5395. Superannuation (Amendment)	0 6
5396. Mines (Amendment)	1 0
5397. Coal (Overseas Purchase) Amendment	0 6
5398. Country Roads Board Fund (Amendment)	0 6
5399. Lancefield and Kilmore Railway (Disposal of Land)	0 6
5400. Treasury Bonds	0 6
5401. North-West Mallee Settlement Areas (Amendment)	0 6
5402. Administration and Probate Duties	0 6
5403. Judges Pensions	0 9
5404. Town and Country Planning (Metropolitan Area)	0 9
5405. State Forests Loan and Application	0 6
5406. Legal Profession Practice	0 6
5407. Forests (Exchange of Lands) Extension	0 6
5408. Victorian Mining Accident Relief Fund (Winding-up)	0 6
5409. Consolidated Revenue	0 6
5410. Castlemaine Lands	0 6
5411. Soil Conservation and Land Utilization	0 9
5412. Public Account Advances (Amendment)	0 6
5413. Mothercraft Nurses	0 9
5414. Rural Finance Corporation	2 0
5415. Co-operative Housing Societies	0 6
5416. Latrobe Valley Development Loan and Application	1 0
5417. Liquid Fuel	0 6
5418. Water Supply Loan and Application	1 3
5419. Fire Brigades (Appeal Tribunal)	0 6
5420. Railway Loan Application	1 0
5421. Local Authorities Superannuation (Amendment)	0 9
5422. Public Works Loan and Application	0 6
5423. Motor Car (Amendment)	0 6
5424. Barwon River Improvement (Amendment)	0 6
5425. Portland Harbor Trust	1 9
5426. Land (Grants and Leases)	0 6
5427. Geelong Waterworks and Sewerage	0 9
5428. Metropolitan Gas Company's	0 6
5429. Prices Regulation	0 6
5430. Masseurs (Registration)	0 6
5431. Vermin and Noxious Weeds	1 9
5432. Health (Tuberculosis Arrangement)	0 9
5433. Justices (Service of Process)	0 6
5434. Police Offences (Amendment)	0 6

No.	Price.
	s. d.
5435. Revocation and Excision of Crown Reservations	0 9
5436. Coal Mine Workers Pensions (Amendment)	0 6
5437. Health (Cattle)	0 6
5438. Soldier Settlement (Amendment)	0 9
5439. Footwear Regulation (Amendment)	0 6
5440. Appropriation of Revenue, 1948-49	4 3
5441. Croydon Fruit Cool Stores	0 6
5442. Licensing (Amendment)	0 6
5443. Local Government	1 6
5444. Milk Pasteurization	0 9
5445. Building Operations and Building Materials Control (Amendment)	0 9
5446. Tourists' Resorts Development (Financial)	0 6
5447. Public Library National Gallery and Museums	0 6
5448. Police Regulation (Amendment)	0 9
5449. Business Investigations	0 9
5450. Motor Car (Amendment)	1 6

J. J. GOURLEY,
Government Printer.

AGENTS FOR THE "VICTORIA GOVERNMENT GAZETTE."

THE following have been appointed agents to receive Advertisements and Subscriptions for the *Victoria Government Gazette*:—

- ARMSTRONG'S AGENCY, 143 Queen-street, Melbourne.
- ARMSTRONG BROS., Kyneton.
- MESSRS. ARNALL & JACKSON, 115 Barkly-street, West Brunswick.
- MR. M. R. BADE, Tobacconist, Sturt-street, Ballarat.
- MR. WM. DAVIS, Mildura.
- A. J. DIGBY (B. S. and N. W. CASH), Main-street, Bairnsdale.
- EDGAR'S NEWS AGENCY, Hargreaves-street, Bendigo.
- EDGAR'S NEWS AGENCY, 53 Murphy-street, Wangarratta.
- MESSRS. HENRY FRANKS & CO., Booksellers and Stationers, Market-square, Geelong.
- MESSRS. GORDON & GOTCH, News Agents, 511 Little Collins-street, Melbourne; and corner Barrack and Clarence streets, Sydney.
- W. GORDON HAMPTON, 243 Mitchell-street, Bendigo.
- MESSRS. HARSTON, PARTRIDGE, & CO., 455 Little Collins-street, Melbourne.
- Mr. C. F. LATIMER, News Agent, Casterton.
- MR. F. T. McCORMICK, Nunn-street, Benalla.
- MESSRS. H. PAYNE & R. N. LOWE, 4 View Point, Bendigo.
- MESSRS. R. H. & W. M. PETTY, News Agent, Wangarratta.
- PIKE'S AUTHORIZED NEWS AGENCY, Sale.
- J. PURDIE & CO., 138 Moorabool-street, Geelong.
- MESSRS. A. S. RICHARDSON and T. C. GARDNER, trading as The Mercantile Exchange, 380 Collins-street, Melbourne.
- ROBERTSON & MULLENS LTD., Elizabeth-street, Melbourne.
- R. & A. SMALLMAN, News Agents, Toora.
- MESSRS. SMITH & DUNNION, Hamilton.
- TRAINOR & McBRIDE, 246 Wyndham-street, Shepparton

A copy of the *Gazette* filed at each place for public reference.

PUBLICATION OF OFFICIAL MATTER.

ATTENTION is invited to the following procedure in relation to the publication of official matter in the *Government Gazette*:—

1. *Matter submitted to the Executive Council.*

Matter submitted to the Executive Council which requires gazettal will normally be published in the issue of the following week.

Where urgent gazettal is required, special arrangements should be made with the *Gazette Officer*.

Publication will be facilitated by the submission of carbon copies for the use of the *Gazette Officer*.

2. *Other matter.*

(a) All other matter duly certified by a responsible officer for publication should be lodged with the *Gazette Officer* not later than half-past Ten a.m. on Tuesday.

(b) Lengthy or involved notices should be forwarded several days before publication.

(c) Proofs, which will be supplied only when specifically requested or at the direction of the *Gazette Officer*, should be returned promptly to avoid delay in publication.

(d) No additions or amendments to matter for publication will be accepted by telephone.

ALL COMMUNICATIONS should be addressed to "The *Government Printer, Melbourne.*"

ALL DOCUMENTS illegibly written will be returned unpublished, and, where brands occur unprovided for by the ordinary letters of the alphabet, a worded explanatory description must be furnished.

THE VICTORIA GOVERNMENT GAZETTE is published on WEDNESDAY EVENING in each week, and Notices for insertion will be received by the *Government Printer* at or before Two p.m. at ordinary rates, and late advertisements between Two p.m. and FIVE p.m. at double rates on the day preceding the day of publication.

Single copies of the VICTORIA GOVERNMENT GAZETTE are Six pence, posted Eight pence, each.

No GAZETTES prior to January, 1939, in stock.

*** ALL PAYMENTS ARE REQUIRED IN ADVANCE.—Remittances should be made by postal note, money order, or draft in favour of the *Government Printer*. Advertisements unaccompanied by a remittance sufficient to cover the cost of insertion will be returned unpublished.

CONTENTS.

	PAGE
Acts of Parliament on sale at the Government Printing Office	3380
Appointments	3348
Auction Sales Act	3356
Contracts	3354
Courts	3354
Estates of Deceased Persons	3349
Government Notices	3349
Impoundings	3379
King's Birthday Holiday	3348
Lands	3361
Mining	3379
Orders in Council	3357
Private Advertisements	3373
Proclamations	3347
Public Service Notices	3368
Resignation	3349
Tenders	3366
Transport Regulation Board—Public Hearings	3350
Waterworks Trusts	3357

THE "VICTORIA GOVERNMENT GAZETTE."

SUBSCRIPTIONS.—The subscription, including postage, is £1 12s. 6d. per annum, 16s. 3d. half-yearly, or 8s. 2d. per quarter, payable in advance.

Subscriptions are required to commence and terminate with a month.

A lesser period than three months cannot be subscribed for.

Subscribers do not receive the Acts of Parliament with the GAZETTE.

ADVERTISEMENTS are charged at the rate of ELEVEN PENCE per line single column, and ONE SHILLING and TEN PENCE per line double column.

The title (£5 Reward. Dissolution of Partnership, &c.) forms one or more lines as a heading.

On an average, ten words make a line.

Every signature must likewise be counted as a line.

The final words of a paragraph, though only portion of a line, must be counted as one line.

SIGNATURES (in particular) and proper names must be written very plainly in the text; ONE SIDE ONLY of each slip of paper should be WRITTEN UPON.

[3383]



VICTORIA
GOVERNMENT GAZETTE.

Published by Authority.

[Registered at the General Post Office, Melbourne, for transmission by post as a newspaper.]

No. 519]

THURSDAY, JUNE 8.

[1950

LIST OF REGISTERED CLERGY.

LIST of Persons Registered in the Office of the Government Statist on 31st December, 1949, as Ministers of Religion who may celebrate Marriages in Victoria, with their Designations, Denominations, and Residences; also of Registrars of Marriages.

(Published in accordance with Section 15 of the *Marriage Act 1928*.)

LIST OF REGISTERED CLERGY, 31st DECEMBER, 1949.

LIST of Persons registered in the Office of the Government Statist on the 31st December, 1949, as Minister of Religion who may celebrate marriages in Victoria, with their Designations, Denominations, and Residences.

(Published in accordance with Section 15 of the *Marriage Act 1928*.)

Number in Register.	Name.	Designation.	Residence.
CHURCH OF ENGLAND.—DIOCESE OF MELBOURNE.			
6471	Adams, Ronald Frederick	Priest	St. Matthias's Vicarage, Richmond
4669	Allen, Joseph Hollins	Priest	St. Paul's Vicarage, Gisborne
9464	Arrowsmith, Herbert Maxwell	Priest	St. John's Vicarage, Toorak
8537	Ashton, John William	Bishop	47 Bellett-street, Camberwell
5931	Backhouse, Walter Gilbert	Priest	St. Andrew's Vicarage, Clifton Hill
9592	Badger, Edwin	Priest	19 Glyndon-avenue, Merlynston
3184	Baglin, John Thomas	Canon	56 Argyle-road, Kew
9812	Bainbridge, William Pembroke	Priest	25 Wrixon-avenue, East Brighton
5982	Baker, Donald	Bishop	Ridley College, Parkville
9546	Baldwin, Eric Royston	Priest	St. James's Vicarage, Drysdale
9828	Ball, Leopold George	Priest	c/o B.C.A., 241 Flinders-lane, Melbourne
6219	Ball, Sydney Thomas	Priest	All Souls' Vicarage, Sandringham
5955	Bamford, Alfred James	Priest	44 Arnold-street, North Carlton
5038	Banks, Arthur	Priest	32 Pickett-street, Footscray
8780	Birch, Ormonde Winstanley	Priest	8 Haverbrack-avenue, Malvern
8773	Birch, Richard	Priest	11 Darling-road, East Malvern
7360	Blake, Douglas	Priest	All Saints' Vicarage, East St. Kilda
5333	Booth, Joseph John	Archbishop	Bishops-court, East Melbourne
5451	Briggs, Joseph William	Priest	5 Epsom-road, Kensington
9625	Britten, Marvyn Wellesley	Priest	86 Balwyn-road, Balwyn
8285	Brown, Clifton Plessay	Priest	Point Nepean-road, Sorrento
7356	Brown, John Charles Westlock	Priest	Church of England Grammar School, Domain- road, South Yarra
5486	Brown, Reginald Fenwick	Priest	St. John's Vicarage, East Malvern
7610	Buckley, Sydney Leonard	Priest	Menzies Creek
7344	Bull, Leslie Wallace	Priest	9 Bear-street, Mordialloc
10158	Bunn, George Alfred	Priest	23 Merton-street, Caulfield
5716	Burridge, Stanley Henry	Priest	308 Latrobe-street, Melbourne
6221	Busby, Harry Carlton	Priest	56 Gillies-street, Fairfield
8017	Campbell, Herbert Douglas	Priest	St. Paul's Kingsville
4356	Capper, Arthur Montgomery	Priest	Westley-road, Lower Ferntree Gully
6787	Carver, Victor George	Priest	Christ Church Vicarage, Essendon
8770	Chambers, Cyril Bertram Gerald	Priest	C.M.S. Cathedral Buildings, Flinders-lane, Mel- bourne
8751	Church, Albert George	Priest	All Souls' Vicarage, Kallista
6191	Clark, Charles Henry William	Priest	Como-parade, Mentone
8396	Clark, Thomas Russell Hope	Priest	Christ Church Vicarage, Brunswick
8196	Clarke, Michael John	Priest	St. James's Vicarage, Dandenong
6745	Clarke, Wilfred Lansdell	Priest	44 Washington-street, Toorak
6793	Clinch, William	Priest	Christ Church Vicarage, Geelong
9267	Cohn, Colin Jessop	Priest	39 Somerville-road, Yarraville
9122	Cohn, Lionel James	Priest	St. Matthew's Vicarage, East Geelong
4692	Cole, Thomas	Priest	37 Pine-avenue, Elwood
9927	Constable, Eric Victor	Priest	The Vicarage, Emerald
7090	Cooper, Edmund Franklin	Priest	St. Mary's Vicarage, Caulfield
7131	Cotes, Charles Balmain	Priest	371 Neerim-road, Murrumbidgee
5602	Craig, Alfred	Priest	St. John's Vicarage, Heidelberg
9485	Cranswick, George Harvard	Bishop	"Cherrywood," Kallista
4267	Crossley, Cecil Leslie	Priest	Holy Trinity Vicarage, Coburg
9383	Dann, Robert William	Priest	Cathedral Buildings, Melbourne
5510	Danne, Noel Johnston	Priest	Hoddie-street, Abbotsford
8388	Daunt, William Percy	Priest	Berwick
4176	Dewhurst, John Heyliger	Canon	Whitehorse-road, Mitcham
6450	Dexter, Walter Ernest	Priest	9 Forster-avenue, East Malvern
8108	Donnelly, Alfred Charles	Priest	Beatty-street, West Preston
6196	Doudney, Herbert William	Priest	1 Somerset-street, Elsternwick
7190	Drought, John Smerger	Priest	Community House, Cheltenham
8950	Duncan, Colin Henry	Priest	66 Moreland-road, East Brunswick
8809	Eggleston, Egan Moulton	Priest	17 Hale-street, East Kew
8523	Elliott, Leslie Llewellyn	Priest	89 Alfred-crescent, North Fitzroy
4665	Eva, Bernard Charles Alfred	Priest	1 Moffatt-street, Brighton Beach
5717	Falconer, Alexander Frederick	Priest	2 Margaret-street, Canterbury
8808	Falkingham, John Norman	Priest	2 Glenferrie-street, Caulfield
7209	Findlay, Robert Campbell	Priest	St. Alban's Vicarage, Armadale
7046	Fleming, William Irving	Priest	St. John's Vicarage, Bentleigh
4929	Frewin, Ernest Cooper	Priest	9 Roxburgh-street, Ascot Vale
9974	Gason, John Vance	Priest	Christ Church Vicarage, Newport
4801	Gilder, George	Priest	Holy Trinity Vicarage, East Melbourne
9547	Glover, Neil Reheiri	Priest	Christ Church, Whittlesea
6629	Goodisson, Kenneth Paul	Priest	St. John's Vicarage, Flinders
10019	Graham, William Harold	Priest	Grimwade House, Balaclava-road, Caulfield
4814	Green, Walter Gerard Arthur	Priest	St. James's Vicarage, East St. Kilda
7154	Griffith, Edward	Priest	St. Paul's Vicarage, Geelong
9548	Haley, Albert Naunton	Priest	The Vicarage, Warburton
7473	Hall, George Stanley	Priest	St. Paul's Training School, Newhaven
6511	Hall, John Lindsay	Priest	The Vicarage, Healesville
5357	Hamilton, Karl Egbert	Priest	St. Clement's Vicarage, Elsternwick
5998	Hammond, Herbert Henry	Priest	27 Wattle-tree-road, Malvern
8392	Hancock, William	Archdeacon	6 Wallace-grove, Brighton Beach
9709	Hardy, William	Priest	20 Pental-road, Caulfield
6213	Hart, William Francis	Priest	St. George's Vicarage, Queenscliff
6991	Harwood, Leonard John	Priest	116 Booran-road, Caulfield
9184	Henderson, William Henry	Priest	c/o Diocesan Registry, Cathedral Buildings, Melbourne

LIST OF REGISTERED CLERGY, 31ST DECEMBER, 1949—continued.

Number in Register.	Name.	Designation.	Residence.
CHURCH OF ENGLAND.—DIOCESE OF MELBOURNE—continued.			
9846	Hill, Norman Leslie	Priest .. .	Holy Trinity Vicarage, Hastings
8151	Hole, Herbert Oliver	Priest .. .	1047 Whitehorse-road, Box Hill
9543	Holt, James Essex	Priest .. .	The Vicarage, Lancefield
8949	Holt, Wilfred	Priest .. .	St. Silas's Vicarage, North Geelong
5191	Horner, Albert George	Priest .. .	9 St. Kinnord-street, Essendon
6513	Hudson, Raymond Mansfield Harry	Canon .. .	18 Noel-street, Ivanhoe
6816	Hughes, Frederic Godfrey	Priest .. .	6 Stonehaven-avenue, East Malvern
6946	Hughes, James Owen	Priest .. .	133 Clarke-street, Northcote
8948	Hunter, William Barrell	Priest .. .	St. James's Vicarage, East Thornbury
8410	Ide, Selwyn Henry	Priest .. .	St. Stephen's Vicarage, Gardenvale
9849	Imray, Frederick Stanley James	Priest .. .	3 Shasta-avenue, Brighton
9591	Johnson, William Courtney Saunders	Priest .. .	St. Luke's Vicarage, Brighton
8244	Jones, Stephen Edgar	Priest .. .	Geelong Church of England Grammar School, Corio
4457	Justice, Thomas Holmes	Priest .. .	Wellesley-road, Hawthorn
9641	Kenna, William Keith	Priest .. .	1992 Malvern-road, East Malvern
6514	Kent, Eric Deacon	Priest .. .	St. John's Vicarage, Sorrento
7870	Kitchen, George Ambrose	Priest .. .	11 Vincent-street, Glen Iris
9545	Knife, James Anthony	Priest .. .	Charles-street, Burwood
9848	Lamble, Gilbert Clark	Priest .. .	The Vicarage, Olinda
4443	Langley, Henry Thomas	The Very Rev. .. .	99 Canterbury-road, Forest Hill
7213	Lavender, Charles George	Priest .. .	St. John's Vicarage, Geelong
9934	Lawrence, Philip Sydney	Priest .. .	The Vicarage, Springvale
7052	Leaver, Esmond Aylmer	Priest .. .	c/o A.B.M., Cathedral Buildings, Flinders-lane, Melbourne
6272	Leslie, Ernest Thomas	Priest .. .	"Paraloka," Kallista
5803	Lewick, Alfred Manning	Priest .. .	31 Maud-street, North Balwyn
4784	Lewin, Francis Ellerker	Priest .. .	St. Paul's Vicarage, Ringwood
8347	Lloyd, William Vincent Llewellyn	Priest .. .	Rowland-street, Kew
10058	Long, Robert George	Priest .. .	The Vicarage, Eltham
9847	McCall, Richmond James	Priest .. .	c/o St. James's Vicarage, Ivanhoe
9713	McConchie, Keith Lauchlan	Priest .. .	All Saints' Vicarage, Lorne
5640	McCoy, Reginald	Priest .. .	St. Matthew's Vicarage, Cheltenham
5359	Mace, Arthur Reginald	Priest .. .	Clendon-road, Toorak
9710	McIntyre, Lyle James	Priest .. .	5 Baker-street, Brighton
7700	McKie, John David	Bishop .. .	Cathedral Buildings, Flinders-lane, Melbourne
8157	McQuie, Ronald Ernest	Priest .. .	163 Wattle Valley-road, Camberwell
7847	McWilliams, George Benjamin	Priest .. .	St. Alban's Vicarage, West Coburg
9790	Maling, Fred	Priest .. .	St. Thomas's Vicarage, Winchelsea
10066	Mappin, Tamillas Robert	Priest .. .	The Vicarage, Inverleigh
5888	Martin, Stephen Percy Hatherton	Priest .. .	11 Hartington-street, Northcote
5107	Mathews, Harry George	Priest .. .	"Waitara," Highton
6886	Maynard, Farnham Edward	Canon .. .	St. Peter's Vicarage, East Melbourne
7914	Mee, Alan George	Priest .. .	Holy Trinity Vicarage, Hampton
5963	Menlove, George Eric	Priest .. .	Kangaroo-road, Oakleigh
6111	Miles, Alfred Charles	Priest .. .	Holy Trinity Vicarage, Thornbury
7226	Miles, Charles Reginald	Priest .. .	25 Docker-street, Richmond
7557	Millar, Ronald Thompson	Priest .. .	The Vicarage, Blackburn
9198	Milne, William Somerville	Priest .. .	St. John's Vicarage, Lilydale
8246	Molloy, Neale Gordon	Priest .. .	St. John's Boys' Home, Canterbury
10024	Moroney, John Burbury	Priest .. .	14 Wheatland-road, Malvern
9665	Morris, Leon Lamb	Priest .. .	c/o Diocesan Registry, Melbourne
7960	Morton, Francis Henry	Rector .. .	Christ Church Vicarage, Whittlesea
9544	Mountney, Robert, Griffith	Priest .. .	The Vicarage, Berwick
5724	Moyes, Clifford Leigh	Priest .. .	St. James's Vicarage, East Malvern
9783	Murchison, Laurence Maxwell	Priest .. .	c/o Diocesan Registry, Cathedral Buildings, Melbourne
7594	Muxworthy, Sydney James	Priest .. .	c/o The Vicarage, Pakington-street, Kew
10152	Neil, Herbert James	Priest .. .	261 Belmore-road, Balwyn
5745	Nichols, Herbert William George	Priest .. .	Holy Trinity Vicarage, Port Melbourne
6601	Norman, Ernest William	Priest .. .	Bay View-street, Northcote
4451	Oates, James William Percy	Priest .. .	10 Freeman-street, Balwyn
7403	Oliver, Frank Leslie	Priest .. .	Missions to Seamen, Flinders-street, Extension, Melbourne
9712	Pace, Lindsay Young	Priest .. .	The Vicarage, Lara
6960	Panelli, Ernest Louis Renard	Priest .. .	St. Luke's Vicarage, South Melbourne
9614	Pay, William James Thomas	Priest .. .	6 Mavis-street, North Brighton
9048	Pethybridge, Richard Hamlin	Priest .. .	All Saints' Vicarage, Northcote
10162	Peake, Frederick Henry	Priest .. .	45 Grant-street, East Malvern
6773	Pidd, Arthur Tom	Priest .. .	402 Kooyong-road, Caulfield
10022	Pidgeon, Richard Hain	Priest .. .	c/o All Saints' Vicarage, East St. Kilda
7214	Porter, Frederick	Priest .. .	High-street, Glen Iris
5585	Potter, Harry Robert	Priest .. .	All Saints' Vicarage, Geelong
9252	Potter, William Robert	Priest .. .	St. John's Vicarage, Cranbourne
9320	Radford, Maxwell Auton	Priest .. .	13 Lowther-street, Alphington
5039	Ramshaw, William Evans	Priest .. .	Wood-street, Hawthorn
5194	Raverty, Joseph Horace	Priest .. .	2 Pascoe-street, Williamstown
5830	Ray, Francis Alfred	Priest .. .	St. Peter's Vicarage, Mornington
4628	Raymond, Charles Hedley	Archdeacon .. .	Mt. Alexander-road, Moonsee Ponds
10065	Redding, Donald Llewellyn	Priest .. .	St. Andrew's Vicarage, Brighton
9115	Rettick, David Herman	Priest .. .	All Saints' Vicarage, Preston
8961	Reynolds, Alfred George	Priest .. .	The Vicarage, Vermont
9385	Roberts, Alfred Arnold	Priest .. .	The Vicarage, Doncaster
8511	Roberts, Arthur Thomas	Priest .. .	St. Cuthbert's Vicarage, East Brunswick
8810	Roberts, Kenneth Hedley	Priest .. .	The Vicarage, Werribee
6949	Robertson, William Macauley	Priest .. .	The Vicarage, Ferntree Gully
5831	Robinson, Edward Ernest	Priest .. .	North-road, Ormond
7573	Robinson, Percy William	Canon .. .	16 Kintore-street, Camberwell

LIST OF REGISTERED CLERGY, 31ST DECEMBER, 1949—continued.

Number in Register.	Name.	Designation.	Residence.
CHURCH OF ENGLAND.—DIOCESE OF MELBOURNE—continued.			
9459	Robinson, Thomas Charles	Priest	278 Point Nepean-road, Mentone
8811	Roddick, Reginald John Harmsworth	Priest	The Vicarage, Mitcham
7604	Rogers, Charles William Thomas	Priest	11 New-street, Surrey Hills
7943	Romanis, John Espenett	Priest	80 Hawthorn-road, East Brighton
8765	Rowell, John Addison	Priest	58 Derby-street, Moonee Ponds
5375	Rowell, Robert Jameson	Priest	Christ Church, Vicarage, Dingley
8664	Sambell, Geoffrey Tremayne	Priest	St. Mary's Vicarage, North Melbourne
7583	Sansom, Joseph Donald	Priest	St. James's Vicarage, West Melbourne
7019	Saroff, Lionel Edward Frederick	Priest	13 Grandview-street, Glenroy
5711	Scales, Murray Austin	Priest	55 Lucknow-street, Travancore
5699	Schofield, James Archibald	Archdeacon	677 Punt-road, South Yarra
5316	Schwieger, Charles Percy	Priest	177 Union-road, Surrey Hills
4729	Schwieger, Edward	Priest	27 Cromwell-road, Hawksburn
10122	Sedsman, Arthur Estal	Priest	c/o St. Peter's Vicarage, East Melbourne
5272	Shaw, Garnet Eric	Priest	Point Lonsdale
10023	Shilton, Lancelot Rupert	Priest	29 Bridge-road, Elsternwick
6908	Sinclair, Alfred Reynolds	Priest	2 Tiuna-grove, Elwood
8526	Singleton, Aubrey Winter	Priest	The Vicarage, Bacchus Marsh
3976	Smith, Charles Edward	Priest	39 Royal-avenue, Sandringham
6659	Smith, Sydney Herbert	Priest	St. Jude's Vicarage, Carlton
9029	Steinhauser, Leonard Daniel	Priest	The Vicarage, Sunbury
7261	Stephen, Reginald	Bishop	Flat 2, 116 Kooyong-road, Armadale
9042	Stephens, Henry James Bondfield	Priest	44 Briggs-street, Caulfield
9438	Stillwell, Frederick	Canon	25 Larnook-street, Armadale
9711	Stokes, Terrence	Priest	468 Bridge-street, Richmond
8452	Storrs, William Townsend Coopland	Priest	66 Warrigal-road, Surrey Hills
7721	Stuart-Burnett, Raymond Frank	Priest	38 Bundoran-parade, Mont Albert North
2594	Sutton, George	Canon	18 Mont Albert-road, Canterbury
6630	Talbot, Alfred	Priest	13 Paul-street, Cheltenham
5282	Taylor, John Kessell	Priest	313 Punt-road, Prahran
6775	Tempany, John James	Priest	44 Bennett-street, Alphington
9649	Thomas, Christopher Nutter	Priest	St. John's Vicarage, Croydon
8655	Thomas, Tom William	Priest	St. John's Vicarage, Camberwell
7542	Thomas, Walter George	Canon	7 Central-avenue, Ivanhoe
5634	Thornton, Frank Ellis	Priest	Holy Trinity Vicarage, Kew
8527	Thorp, Harold John	Priest	St. George's Vicarage, West Footscray
5592	Tidmarsh, Charles Reginald Collett	Priest	Bowen-street, South Camberwell
7003	Tolhurst, Frederick Edgar Henry	Priest	Madden-street, Albert Park
9386	Tolhurst, Noel Arthur	Priest	St. Mark's Vicarage, Fitzroy
8312	Townsend, Francis Algernon	Priest	St. George's Vicarage, Malvern
6069	Townsend, James	Priest	St. Matthew's Vicarage, Prahran
7801	Tucker, Gerard Kennedy	Priest	31 Royal Arcade, Melbourne
8658	Tunks, Henry Roy Samuel	Priest	St. David's Vicarage, Moorabbin
10161	Turtle, Edward Hamley	Priest	St. Chad's Vicarage, Chelsea
6780	Tyler, William Robert	Priest	Holy Trinity Vicarage, Balaclava
6950	Tymms, George Gordon	Priest	39 Park-road, Middle Park
2902	Tyssen, Josiah	Priest	c/o Diocesan Registry, Flinders-lane, Melbourne
9153	Vine, Henry	Priest	132 Kooyong-road, Caulfield
7605	Viney, Stafford Stanley	Priest	167 Victoria-street, West Brunswick
7662	Vizard, Terence Robert	Priest	The Vicarage, Belmont
6655	Vizard, William George	Priest	Christ Church Vicarage, Melton
5435	Walters, William Arthur	Priest	St. Mary's Vicarage, Preston
10121	Walton, Horace Clarence George	Priest	B.S.L., Carrum Downs
8442	Warner, Edwin	Priest	14 Batman-street, West Melbourne
10021	Warner-Bishop, Hilary A.	Priest	c/o St. John's Home for Boys, Canterbury
7795	Waterman, James Robert	Priest	c/o Diocesan Registry, Melbourne
6748	Watt, James Leslie	Canon	c/o Diocesan Registry, Melbourne
4568	Wenzel, Leonard Leslie	Canon	Burwood-road, Hawthorn
9752	Were, John Owen	Priest	Flinders Naval Depot, Crib Point
3689	White, Edward John Bernard	Priest	Dromana
9845	White, Hedley Granville	Priest	16 Valetta-street, Malvern
9577	Whitfield, Lloyd Francis	Priest	Melbourne Church of England Grammar School, Domain-road, South Yarra
5044	Whitworth, Tom Howard	Priest	27 Barry-street, Kew
5041	Whyte, Athery John	Priest	The Vicarage, Frankston
4671	Williams, Richard Hazell Brunton	Archdeacon	62 Warrigal-road, Oakleigh
9619	Williamson, Sydney Wentworth	Priest	59 McCrae-street, Dandenong
5661	Wilson, Albert Montagu Stephen	Priest	19 Thanet-street, Malvern
4576	Wilson, Alfred Roscoe	Dean	188 Hotham-street, East Melbourne
6732	Wilson, Phillip St. John	Canon	Brighton Grammar School, Brighton
7498	Wisewould, Percy Andrew	Priest	Holy Trinity Vicarage, Oakleigh
9250	Withington, Charles Fraser	Priest	The Vicarage, Leopold
3688	Wood, Charles William	Priest	134 Kooyong-road, Malvern
7078	Woohouse, Claude	Priest	Christ Church Vicarage, St. Kilda
9556	Wrightson, Bertram Pilcher	Priest	c/o St. Barnabas's Vicarage, South Melbourne
7687	Young, Charles Percy	Priest	The Vicarage, Greensborough
CHURCH OF ENGLAND.—DIOCESE OF BALLARAT.			
6639	Alley, Leslie Underwood	Priest	All Saints', Ballarat and Wendouree
9249	Anthony, David Ivor Morgan	Canon	Christ Church, Ballarat
7615	Apsey, Gordon John	Priest	St. John's, Ballarat
9938	Beavan, Ernest George	Priest	Timboon
7735	Bennett, Arthur William Edwin	Priest	Terang
3704	Bennett, Thomas Pearse	Archdeacon	31 Banyan-street, Warnambool
4175	Best, Joseph	Archdeacon	413 Lydiard-street, Ballarat
6425	Blennerhassett, John Ponsonby	Priest	Port Fairy
5182	Bodley, Harold Sydney James	Priest	Clunes
10063	Bull, Cecil Stanley	Priest	Beaufort

LIST OF REGISTERED CLERGY, 31ST DECEMBER, 1949—*continued.*

Number in Register.	Name.	Designation.	Residence.
CHURCH OF ENGLAND.—DIOCESE OF BALLARAT— <i>continued.</i>			
10196	Browne, Geoff Morrison	Deacon ..	Wangaratta
6529	Burgess, Leslie	Priest ..	St. Paul's Vicarage, Victoria-street, Ballarat
9796	Chamberlain, Wilfred Henry	Priest ..	Ballan
9698	Coad, Gordon John	Priest ..	Colac
6863	Crigan, Conway, Duncan	Priest ..	Warracknabeal
6174	Dewhurst, Bertram Hockings	Canon ..	Camperdown
10071	Donne, Ronald Albert	Priest ..	Portland
6533	Duffy, James Henry	Priest ..	Merino
7501	Duffy, Walter Charles	Priest ..	Murtoa
9372	Dunn, Donald Kinglake	Priest ..	Rainbow
9520	Ezzy, Harry Chester	Deacon ..	On leave
5964	Fettell, Norman Smith	Canon ..	Horsham
10164	Garner, Gordon George	Deacon ..	Warrnambool
8873	Gilbert, Victor Norman	Priest ..	Koroit
7687	Giles, William Victor	Priest ..	Balmoral
7522	Gray, Arthur Joseph	Priest ..	Linton
9916	Hannaford, Henry Sydenham	Priest ..	Heywood
9746	Hooper, Geoffrey Neil	Priest ..	Colac
8256	Howell, Lindsay Momber	Priest ..	Ararat
9519	Jack, Walter Geo. Andrew	Priest ..	Edenhope
4456	Jessop, William Boyton	Canon ..	Hamilton
9718	Jenkyn, Vernon Harold	Priest ..	Mortlake
8210	Johnson, William Herbert	Bishop ..	Bishopscourt, 1416 Sturt-street, Ballarat
9663	Julien, Vivian Hilder	Priest ..	Lismore
8430	Kerdel, Leslie George	Priest ..	Nhill
7819	Landgon, Lewis Samuel	Priest ..	Dimboola
6797	Lomas, Herbert Percy	Priest ..	Casterton
9507	Mills, Alexander Lake	Priest ..	Natimuk
7094	Moorhouse, William Edmund	Priest ..	On leave
9338	Mott, Arnold Oswald	Priest ..	Buninyong
9126	Munro, John Alexander	Priest ..	On leave
8754	Mutten, George Eric	Priest ..	Rupanyup
5978	Nicholas, Albert Stanley	Priest ..	Cobden
8001	Pickburn, Thomas Henry	Priest ..	Beech Forest
5960	Prentice, Stanley Lawrence Leopold	Priest ..	Condah
8144	Reed, Charles	Priest ..	"Fairview," Howitt-street, Wendouree
7724	Richards, Ronald Edwin	Priest ..	Warrnambool
6523	Richardson, Walter	Priest ..	1104 Gregory-street, Ballarat
8916	Robins, Edwin Knox	Priest ..	Kaniva
8162	Scott, Harold Duncan	Priest ..	Willaura
10163	Seymour, Kenneth Norman	Priest ..	Horsham
10077	St. Clair, Ian Howard	Priest ..	Swan Marsh
7225	Symonds, Frederick Heatley	Priest ..	St. Luke's, Ballarat
7002	Tame, Walter James	Priest ..	Coleraine
9215	Thompson, Gilbert Walter	Priest ..	Creswick
9558	Tracy, Roy Dickson	Priest ..	Birregurra
9821	Viney, Errol Jack	Priest ..	Hopetoun
5348	William, Lewis Harold	Priest ..	Stawell
5627	Yeo, Ernest Stanley	Canon ..	St. Peter's, Ballarat
CHURCH OF ENGLAND.—DIOCESE OF BENDIGO.			
9970	Bastian, Frederick Charles	Priest ..	Bendigo
7811	Bellamy, Albert Edward	Priest ..	Castlemaine
5045	Blennerhassett, Richard Paul	Archdeacon ..	Golden Square
6205	Dau, Wilfred Stanley	Dean ..	All Saint's Cathedral, Bendigo
9971	Ellson, Harry	Priest ..	White Hills, Bendigo
8382	Fabian, Reginald Thomas	Priest ..	Elmore
6771	Ham, Harold Hedley	Canon ..	Kyabram
9643	Hancock, Bertram E.	Priest ..	Mooroopna
9373	Hay, William Beaumont	Priest ..	North Brighton
9448	Hayes, John Arthur	Priest ..	Rochester
4659	Herring, Nigel Denzil	Archdeacon ..	Diocesan Registry, Bendigo
6065	Home, Garthshore Stirling	Priest ..	33 Hopper-street, Bendigo
7164	Hudson, Leslie Arthur	Priest ..	Maldon
7366	Jones, Herbert	Canon ..	Kyneton
8459	Laity, Ronald Ailwyn	Priest ..	Malmsbury
7504	Lee, Jack Henry	Priest ..	Kerang
9478	MacPherson, Alexander Sutherland Murray	Priest ..	Mornington
8781	Martin, Geoffrey Ernest	Priest ..	Eaglehawk
8384	Morphet, George Thorton	Priest ..	Echuca
9258	Nellor, William Charles F.	Priest ..	Mitiamo
8639	Nixon, Eric Jack	Priest ..	Pyramid Hill
4079	Noltenius, Harry Edward	Priest ..	Woodend
9124	Pickford, Edward Henry	Canon ..	Myers-street, Bendigo
8757	Regnier, William Tasman	Priest ..	Woodend
8463	Riley, Charles Lawrence	Bishop ..	Bishopscourt, Bendigo
7852	Rodgers, James Leslie	Priest ..	Tongala
8161	Saville, Eldred Ernest	Canon ..	Daylesford
4667	Scott, Reginald Allan	Priest ..	Long Gully
10154	Strickland, Albert Edward John	Priest ..	Bendigo
9866	Thompson, Charles Henry Norman	Priest ..	Trentham
7853	Wallace, David Mayberry	Priest ..	Tatura
10153	Webber, Eric	Priest ..	Bendigo
8876	White, Ronald Geoffrey	Priest ..	Heathcote
9867	Whitehead, Walter Charles	Priest ..	Bendigo

LIST OF REGISTERED CLERGY, 31ST DECEMBER, 1949—continued.

Number in Register.	Name.	Designation.	Residence.
CHURCH OF ENGLAND.—DIOCESE OF BENDIGO—continued.			
9452	Williamson, Reginald James	Priest	Laanecoorie
8752	Willson, Frank Clement	Priest	Kangaroo Flat
9257	Wright, Alexander McIver	Priest	Cohuna
CHURCH OF ENGLAND.—DIOCESE OF GIPPSLAND.			
8163	Ackland, Percival Joseph Lewis	Priest	Moe
8294	Andrew, Hugh William Hastings	Priest	New Guinea Mission
6220	Benn, Leslie William Alfred	Archdeacon	c/o The Registry, Sale
7712	Beyer, Thomas David	Priest	R.A.A.F.
9049	Blackwood, Donald Burns	Bishop	Sale
9130	Brodie, Keith	Priest	Bairnsdale
7739	Brown, John Harvey	Canon	Yallourn
8971	Cairns, Henry Alfred	Priest	Heyfield
8676	Childs, William Hartley Sydney	Priest	Wonthaggi
6618	Clark, Albert Ethelbert	Canon	Warragul
7357	Clayden, William James Baldwin	Priest	Yarram
9485	Cranswick, George Harvard	Bishop	c/o The Registry, Sale
8989	Edwards, George Walter	Priest	Bairnsdale
10054	Fruzer, Henry	Canon	c/o The Registry, Sale
9433	Gamble, Alfred	Priest	c/o The Registry, Sale
9388	Green, David Elliot Walton	Priest	Rosedale
7905	Green, Maurice Fernley	Priest	Orbost
9389	Harmer, Leslie Guy	Priest	On Missionary Service C.M.S. Office, Melbourne
7698	Hewlett, Thomas William	Priest	Loch
8681	Hipkin, Frederick William	Priest	Maffra
9129	Leathbridge, William	Priest	Toora
9172	Lousada, Benjamin	Priest	Bruthen
6794	Lovegrove, Gordon Cunningham	Priest	Traralgon
9171	Luck, Lancelot Stuart	Priest	Morwell
9390	McDonald, Norman Womersley	Priest	Omco
4693	McLean, Norman Alexander	Priest	c/o The Registry, Sale
8411	McSpedden, William Leon	Priest	Stratford
5731	Maher, Alfred John	Priest	c/o The Registry, Sale
6789	Miller, Frederick Walter	Priest	Lakes Entrance
9861	Pearson, Francis George	Priest	Cann River
7490	Phillips, Raymond Walter Gordon	Canon	Morwell
8966	Pilkington, Charles Dewar Haughton	Priest	Lang Lang
9858	Raff, Kenneth Brandreth Eglinton	Priest	Bass
7583	Sansom, Joseph Donald	Dean	Sale
10009	Shilton, Jack Henry	Deacon	Warragul
7697	Southey, Richard Mellon	Priest	Leongatha
9857	Spencer, Walter	Priest	Mirboo North
9391	Taylor, Phillip Francis	Priest	Missionary, Iran
10075	Thomas, Maurice Atterbury	Priest	Trafalgar
9875	Titus-Rees, John Glanville	Priest	Drouin
8512	Wicking, David Henry	Priest	Delegate
CHURCH OF ENGLAND.—DIOCESE OF ST. ARNAUD.			
10091	Cracknell, Garth Younghusband	Deacon	Bealiba
7958	Dorrell, Edward John	Vicar	Dunolly
9650	Farrer, James S. F.	Priest	Swan Hill
9194	Gason, Patrick Edward Duff	Priest	Birochip
6404	Gearing, Adrian	Archdeacon	Carisbrook
8519	Gibbins, John Fenton	Vicar	Inglewood
8118	Hall, Horace Alphonso	Rector	Red Cliffs
9573	Hardingham, James	Canon	Mildura
10185	Hodgson, Kenneth Russell	Deacon	Mildura
5779	Hoffman, Edmund Henry	Rector	Avoca
9719	Hollway, Charles Turley	Deacon	Quambatook
3703	James, Melville Charles	Bishop	St. Arnaud
6475	Lees, Ernest Joseph	Archdeacon	St. Arnaud
5766	Martin, Tom Davis	Canon	Ouyen
9195	Matthews, Jack Joseph	Priest	Boort
8281	Millard, Edward Percy	Rector	Maryborough
9202	Mourell, Alfred	Rector	Charlton
9579	Pratt, Herbert Lionel	Priest	Merbein
8247	Reynolds, E. T. S.	Priest	Manangatang
7224	Rivett, Albert Lewis Donald	Canon	St. Arnaud
10186	Rowlands, Herbert John Scott	Deacon	Woomelang-Tempy
8997	Shields, John Holdsworth	Priest	Sea Lake
CHURCH OF ENGLAND.—DIOCESE OF WANGARATTA.			
9167	Armour, Thomas Makinson	Bishop	Wangaratta
6945	Brown, Arthur Blair	Priest	Beechworth
6719	Brown, Robert John	Priest	Mansfield
9108	Burgess, Colin Gordon	Priest	Nathalia
6204	Chesterfield, William Joseph	Priest	Yarrowonga
9980	Coish, Colin Joseph	Priest	Bethanga
5842	Origan, Robert Charles	Priest	Kilmore
6250	Dicker, Percival Hensby	Priest	Wangaratta
10007	Ford, Robert Holden	Priest	Cobram

LIST OF REGISTERED CLERGY, 31ST DECEMBER, 1949—*continued.*

Number in Register.	Name.	Designation.	Residence.
<i>CHURCH OF ENGLAND.—DIOCESE OF WANGARATTA—continued.</i>			
10017	Gilbert, Godfrey	Priest .. .	Violet Town
7385	Gray, Gilby Smith	Priest .. .	Chiltern
5899	Greenham, Stephen Augustine	Priest .. .	Broadford
7923	Hall, John	Priest .. .	Wangaratta
7474	Kennedy, Claude Milton	Priest .. .	Euroa
5836	Lines, Victor William Nelson	Priest .. .	Numurkah
8686	May, Ambrose Ronald	Priest .. .	Wodonga
9349	Moyle, Francis Charles B.	Priest .. .	Benalla
9909	North, Rupert	Priest .. .	Shepparton
8031	Partridge, Charles Henry	Priest .. .	Seymour
7850	Perry, George Lysle	Priest .. .	Yea
8990	Rose, Leslie George B.	Priest .. .	Bright
8582	Star, Charles Henry	Priest .. .	Rutherglen
10010	Stoockdale, Richard John	Priest .. .	Yackandandah
8962	Tavare, Edward Robert	Priest .. .	Tallangatta
9607	Taylor, Samuel	Minister .. .	Alexandra
7695	Titler, Stanley George	Priest .. .	Myrtleford
8866	Wiedemann, William George	Priest .. .	Nagambie
6676	Williams, Vernon Henderson	Priest .. .	Murchison

LIST OF REGISTERED CLERGY, 31ST DECEMBER, 1949—continued.

Number in Register.	Name.	Designation.*	Residence.
ROMAN CATHOLIC—DIOCESE OF MELBOURNE.			
9101	Abraham, John	Priest	Oakleigh
9146	Arthur, Vincent	Priest	Glen Iris
7193	Ashe, John	Ph. Prt.	Brighton East
7945	Ashe, Thomas	Ph. Prt.	Diamond Creek
9990	Atkins, Walter James	Priest	Surrey Hills
9576	Austin, James Jeffrey	Priest	South Melbourne
5857	Bailey, John Paul	Ph. Prt.	Epping
9084	Bailey, Mervyn Francis	M.S.C.	Croydon
8958	Baker, Peter Joseph	S.J.	Richmond
3388	Bakker, Henry Francis	Ph. Prt.	Ascot Vale
9889	Balo, Settimo	O.F.M.	"La Verna," Kew
8463	Beare, Raymond Francis	Priest	Alexandra
9331	Beven, Michael John	O.F.M.	Box Hill
9967	Borda, Peter	Priest	Caulfield
9954	Bongiorno, Sylvester A.	Priest	Melbourne
9093	Bourke, Denis Francis	C.M.	Malvern
5165	Bourke, John Stephen	S.J.	Richmond
9540	Bourke, Thomas, Geoffrey	Priest	Watsonia
9374	Bowman, James Francis	Priest	Castlemaine
6338	Boylan, Eustace	S.J.	St. Patrick's College, East Melbourne
9182	Boylan, John R.	S.J.	Xavier College, Kew
8486	Brace, John James	Priest	Frankston
8484	Bracken, John Francis	Priest	Camberwell
9581	Brady, Henry	Priest	Mornington
9778	Brady, Michael S.	Priest	Brighton
9047	Branagan, Leo Christopher	C.S.S.R.	Mont Victor-road, Kew
9852	Brasier, James	Priest	Coburg
9941	Brennan, Francis King	Priest	Kew
6569	Bridger, Walter Luke	O. Carm.	Middle Park
8438	Bridgewater, Arthur Paul	C.M.	Malvern
7983	Broderick, Kevin	Ph. Prt.	North Balwyn
10170	Brophy, Thomas Edward	Priest	Ivanhoe
6494	Brosnan, Maurice	Ph. Prt.	North Brunswick
9501	Brosnan, John Gerard	Priest	St. Patrick's Cathedral, Melbourne
9368	Burke, Michael Patrick	Priest	St. Kilda, West
9981	Bushell, James Gerard	O.F.M.	"Greyfriars," Mornington
9959	Buxton, Bryan J.	S.J.	Newman College, Carlton
7595	Byrne, William	O.M.I.	Geelong
7575	Caffrey, William	Priest	On leave
7496	Cahir, John	Ph. Prt.	Murrumbeena North
10095	Calleja Anthony	Priest	North Melbourne
9635	Campbell, Kevin Sylvester	Priest	Kew
7157	Cantwell, William Joseph	C.M.	Malvern
9975	Cardiff, Lewis J.	S.J.	Watsonia
8712	Carpenter, Redvers	S.J.	St. Patrick's College, East Melbourne
9366	Carroll, John Anthony	Priest	Oakleigh
6537	Carroll, Thomas Vincent	Ph. Prt.	Caulfield South
10176	Casamento, Francis Robert	Priest	Fawkner
9233	Casey, William Bernard	Priest	Box Hill
9587	Cassar, Joseph TRobert	Priest	Port Melbourne
7462	Cassidy, John James	Priest	Williamstown
9231	Catarinich, Maurice Joseph	Priest	Ascot Vale
8695	Cerini, Charles	Priest	Carlton
6761	Cerutti, John	S.C.	Salesian College, Sunbury
9680	Chamberlain, Frederick Maurice	Priest	East St. Kilda
8718	Ciantar, Joseph	S.C.	"Don Bosco," Brunswick
10177	Clarke, Leo Morris	Priest	Brighton East
8216	Cleary, Anthony John	Priest	South Melbourne
7497	Cleary, John Henry	Ph. Prt.	Brunswick East
7921	Clery, Gerard Paul	O. Carm.	Middle Park
5879	Clifford, James	Ph. Prt.	Kilmore
5131	Coakley, Daniel	Ph. Prt.	Northcote
9235	Coakley, Daniel Joseph	Priest	Dandenong
8879	Coakley, Gerald	S.J.	St. Patrick's College, East Melbourne
8380	Coghlan, Gerard Thomas	Priest	St. Kilda, East
8932	Coghlan, Noel	Priest	Fitzroy North
5701	Collins, William	Ph. Prt.	Kew
10111	Collinson, Thomas L.	S.D.B.	Sunbury
9402	Conlon, Leo Bernard	C.M.	Malvern
8786	Connellan, John A.	Priest	St. Patrick's Cathedral, Melbourne
7979	Conquest, Daniel John	Priest	St. Patrick's Cathedral, Melbourne
10125	Conroy, David	Priest	Geelong
6240	Considine, Thomas Patrick	Ph. Prt.	East Malvern
9855	Cooley, Vincenr Michael	Priest	Kensington
9689	Corry, Francis	Priest	East Camberwell
8749	Costelloe, Thomas Francis	S.J.	Xavier College, Kew
9754	Cotter, Denis Joseph	C.M.	Malvern
7479	Cotter, Timothy	O. Carm.	Middle Park
8601	Cowan, William Corngall	O.M.I.	Sorrento

* There are two classes of Roman Catholic Clergy, viz.: "Diocesan Priests" and "Members of Religious Orders." The order of precedence under the former head is as follows: Archbishop, Bishop, Vicar General, Arch-Priest, Arch-Deacon, Dean, Parish Priest, Administrator (Adm), Priest. The members of Religious Orders are thus indicated in the "Designation" column: "S.J." for Jesuit Father (Society of Jesus); "C.S.S.R." for Redemptorist Father (Congregation of the Most Holy Redeemer); "O. Carm." for Carmelite Father (Order of Carmelites); "O.S.A." for Augustinian Father (Order of St. Augustine); "C.M." for Vincentian Father (Congregation of the Mission); "O.P." for Dominican Father (Order of Preachers); "S.D.B." for Salesian Father (Salesian of Don Bosco); "O.M.I." for Oblate Father (Oblate of Mary Immaculate); "O.F.M." for Franciscan Father (Order of Friars Minor); "S.C.A." for Pallottine Father (Society of the Catholic Apostolate); "M.S.C." for Sacred Heart Father (Missionary of the Sacred Heart).

LIST OF REGISTERED CLERGY, 31ST DECEMBER, 1949—continued.

Number in Register.	Name.	Designation.*	Residence.
ROMAN CATHOLIC.—DIOCESE OF MELBOURNE—continued.			
5371	Coyne, John Morley	Ph. Prt. .. .	Oakleigh
9950	Craig, Joseph P.	S.J. .. .	Kostka Hall, Brighton
9720	Crawford, John	O.P. .. .	Camberwell East
8677	Creed, James Vincent	Priest .. .	East Brunswick
9714	Crofts, Augustine	O.P. .. .	East Camberwell
9976	Crowe, John	C.S.S.R. .. .	Mont Victor-road, Kew
9914	Crowley, Hyacinth	O.P. .. .	East Camberwell
7602	Cuddigan, Michael	Priest .. .	St. Columban's, North Essendon
9399	Cummins, John	Priest .. .	Melbourne
9364	Curley Thomas, Francis	Priest .. .	Kyneton
10073	Curnew, Thomas C.	Priest .. .	North Fitzroy
6868	Curran, Bertrand	O.P. .. .	East Camberwell
6844	Curran, Leo Thomas	Ph. Prt. .. .	Newport
10079	Curran, Malachy P.	S.D.B. .. .	Sunbury
8508	Curran, Thomas Michael	Priest .. .	Preston
10102	Curtain, John Augustine	O. Carm. .. .	Middle Park
9298	Cussen, Michael Kavanagh	C.S.S.R. .. .	Mont Victor-road, Kew
6656	Daly, Daniel	Ph. Prt. .. .	Hampton
5593	Daly, Timothy	Ph. Prt. .. .	Melbourne North
7932	Dando, Aloysius Patrick	S.J. .. .	St. Ignatius' Richmond
10178	D'Arcy, Eric	Priest .. .	Oakleigh
8263	Day, Bernard Maxwell	Priest .. .	Daylesford
8622	DeLoughrey, David J.	O. Carm. .. .	Middle Park
8349	Dillon, Bernard	Priest .. .	Yarraville
10080	Di Matteo, Carlo	O.F.M. Cap. .. .	182 Power-street, Hawthorn
8634	Dobson, Laurence	O.F.M. .. .	St. Paschal's, Box Hill
8474	Doggett, John Ignatius	O.F.M. .. .	St. Paschal's, Box Hill
8339	Doherty, Roger	Priest .. .	St. Columban's, North Essendon
9964	Donnelly, Leo	Priest .. .	St. Patrick's Cathedral, Melbourne
9988	Doolan, Francis Aloysius	Priest .. .	Murrumbena North
8360	Dorrian, Joseph Francis	C.M. .. .	St. Joseph's Malvern
9785	Drohan, Francis Gerald	Priest .. .	Oakleigh
4860	Duffy, Guy Gavan	Ph. Prt. .. .	Bacchus Marsh
7463	Duggan, John	Ph. Prt. .. .	Belmont
9234	Dunlop, Alexis John	Priest .. .	Camberwell
9755	Dunne, Roderick William	C.M. .. .	St. Joseph's, Malvern
7464	Durkin, Edward	Ph. Prt. .. .	North Essendon
6202	Durkin, John	Ph. Prt. .. .	St. Kilda East
9103	Durnin, Desmond	S.J. .. .	Burke Hall, Kew
9881	Dynon, James	S.J. .. .	Xavier College, Kew
5840	Ebworth, Walter	Ph. Prt. .. .	Toorak
8064	Egan, James	Priest .. .	Sunshine
5228	Egan, John Francis	Ph. Prt. .. .	Geelong West
9363	Egan, Leonard James	Priest .. .	Alphington
8204	Elliott, Thomas Fulcher	Priest .. .	Springvale
7986	Ellis, Kevin Patrick	Priest .. .	Chaplain
8205	English, James Columbus	Ph. Prt. .. .	Mordialloc
8898	Fahy, John Melnerney	S.J. .. .	Watsonia
9699	Farmer, John Thomas	S.J. .. .	Xavier College, Kew
8020	Fennessy, Edward Anthony	Ph. Prt. .. .	Dalyston
6904	Fennessy, Edward Leo	Ph. Prt. .. .	Gardenvale
5726	Fennessy, Patrick Edward	Ph. Prt. .. .	Brighton
8504	Fitzgerald, Joseph Ignatius	S.J. .. .	Hawthorn
8787	Fitzgerald, Mortimer F.	Priest .. .	Richmond North
9274	Fitzgerald, Patrick John	S.S.S. .. .	St. Francis', Melbourne
9973	Fitzgerald, Thomas Patrick	O.P. .. .	East Camberwell
7967	Fitzgibbon, Michael	S.J. .. .	St. Patrick's College, East Melbourne
9912	Fitzmaurice, Dominic V.	O.P. .. .	East Camberwell
9634	Fitzpatrick, Daniel Michael	S.J. .. .	Xavier College, Kew
6538	Fitzpatrick, Gerald	Ph. Prt. .. .	Frankston
6194	Fitzpatrick, Timothy	Ph. Prt. .. .	Surrey Hills
9584	Flanagan, Michael John	Priest .. .	Flemington
9887	Flannery, Joseph W.	Priest .. .	Melbourne
7081	Flynn, Timothy Francis	Ph. Prt. .. .	Ferntree Gully
8735	Forrest, Paul	O.P. .. .	Camberwell East
7493	Fox, Arthur Francis	Vicar General .. .	St. Patrick's Cathedral, Melbourne
8870	Fox, Patrick Charles	C.M. .. .	St. Joseph's, Malvern
9851	Fraser, John Norman	Priest .. .	Clifton Hill
8472	Frizzel, Robert Wilfred	O. Carm. .. .	Middle Park
8217	Fynn, Anthony Gerard	S.J. .. .	"Loyola", Watsonia
9467	Galanti, Francesco	O. Carm. .. .	Port Melbourne
6395	Garvey, Patrick	Ph. Prt. .. .	Iona
7942	Gearon, Patrick John	O. Carm. .. .	Middle Park
6396	Geoghegan, Bernard Joseph	Ph. Prt. .. .	Ivanhoe
7836	Gerhard, Louis	O. Carm. .. .	Middle Park
4435	Gibbons, John	Ph. Prt. .. .	Rosanna
9061	Giles, Charles Vincent	O.F.M. .. .	Mornington
8062	Gilhooly, Albert Christopher	Ph. Prt. .. .	Trentham
9014	Gilman, Henry N.	Priest .. .	Kyneton
9559	Girke, Francis	S.C.A. .. .	Kew
9010	Gleeson, John J.	O.F.M. .. .	"La Verne," Kew
9348	Gleeson, John Phillip	S.J. .. .	Newman College, Carlton
2920	Gleeson, Patrick	Ph. Prt. .. .	Box Hill
8998	Gleisner, Francis	C.S.S.R. .. .	Mont Victor-road, Kew
6241	Godwin, Laurence	Ph. Prt. .. .	Deepdene
9503	Gorman, Keith Francis	Priest .. .	Moreland

* See note on page 3390.

LIST OF REGISTERED CLERGY, 31ST DECEMBER, 1949—continued.

Number in Register.	Name.	Designation.*	Residence.
ROMAN CATHOLIC.—DIOCESE OF MELBOURNE—continued.			
6081	Gorry, John Laurence	Ph. Prt.	St. Kilda West
5984	Greenan, Francis Joseph	Ph. Prt.	Elwood
7647	Griffin, James Rufus	Priest	Thornbury
10042	Grogan, Denis	Priest	St. Kilda East
6543	Hackett, William	S.J. . . .	Kostka Hall, Brighton
9094	Halloran, Leo	Priest	West Melbourne
9894	Halpin, H. Kevin	O.F.M.	"La Verna," Kew
8959	Hannan, Basil K.	O. Carm.	Middle Park
8742	Hannan, George B.	Priest	St. Patrick's Cathedral, Melbourne
7457	Hannan, James Henry	Ph. Prt.	South Yarra
7877	Hannan, Kevin	Priest	Korumburra
8783	Hannigan, Michael	C.S.S.R.	Mont Victor-road, Kew
8930	Hardy, John Francis	Priest	St. Kilda West
9299	Harman, Francis Henry	Priest	Ferntree Gully
8633	Harper, Gerard V.	C.M. . . .	St. Joseph's, Malvern
9515	Harper, Leslie Thos.	S.J. . . .	Richmond
9109	Harper, Patrick John	S.J. . . .	Hawthorn
10097	Hart, J. Lawrence	O.P.	East Camberwell
6097	Hartnett, Leo Clement	Ph. Prt.	Sandringham
9325	Hatswell, Leo Cecil	Priest	St. Patrick's, Melbourne
9963	Haugh, Thomas	O.M.I.	649 Burke-road, Hawthorn
10026	Hawke, Wilfred Bernard	Priest	St. Columban's, Essendon
9757	Hayes, Patrick Alphonsus	C.M. . . .	Malvern
8934	Heffey, John	Priest	Whitlands
9055	Herold, John	P.S.M.	Ormond
8798	Hipwell, Thomas	O.M.I.	Sorrento
8739	Hogan, Eugene	C.M.	Chaplain, A.M.F.
8861	Hogan, James J.	C.S.S.R.	Kew
9424	Hornung, Leo	S.C.A.	Studley Park-road, Kew
8123	Hunter, Arthur	Ph. Prt.	Winchelsea
9624	Hunter, Francis Edward	Priest	St. Columban's, Essendon North
9888	Hurley, Diarmad P.	Priest	Coburg
9652	Jennings, Terence Francis	Priest	Sunbury
9193	Johnston, Allan E.	Priest	St. Patrick's Cathedral, Melbourne
7008	Johnston, Henry Aloysius	S.J. . . .	Corpus Christi College, Werribee
8181	Johnston, Thomas Augustine	S.J. . . .	Newman College, Carlton
9886	Jones, Gerald Francis	S.J. . . .	Watsonia
9991	Jones, Penn Harold	Priest	South Yarra
8663	Jones, Percival A.	Priest	Clifton Hill
5594	Joyce, David	Ph. Prt.	Glenhuntly
9164	Joyce, Gerald	C.S.S.R.	Mont Victor-road, Kew
9525	Kavanagh, Peter John	Priest	North Essendon
8233	Kealy, Joseph	Adm.	West Melbourne
6905	Keane, Sylvester Francis	Ph. Prt.	Fawkner
9661	Kearney, Joseph Aloysius	S.C.A.	Kew
9480	Keenan, Paul	S.J. . . .	"Manresa," Hawthorn
9013	Keenan, Phillip M.	C.M. . . .	Malvern
10189	Kelly, Austin	S.J. . . .	Hawthorn
8533	Kelly, Dominic	S.J. . . .	Newman College, Carlton
9880	Kelly, Francis Ignatius	S.C.A.	Studley Park-road, Kew
9646	Kelly, Gabriel	O.F.M.	Padua Hall, Kew
8122	Kelly, John	Priest	Footscray
8788	Kelly, John Anthony	Priest	South Melbourne
9480	Kelly, Joseph Stanislaus	S.J. . . .	"Manresa," Hawthorn
9370	Kelly, Leo William	Priest	On leave
9491	Kennedy, James Joseph	Priest	St. Kilda East
9750	Kennedy, Maurice Joseph	Priest	St. Patrick's Cathedral, Melbourne
9681	Kennelly, Maurice Daniel	Priest	Footscray West
8723	Kenny, Francis	M.S.C.	Sacred Heart Monastery, Croydon
8067	Keogh, Edmond Joseph	Priest	Mansfield
7373	Keogh, Thomas	Ph. Prt.	Pascoe Vale
5595	Kett, Laurence Patrick	Priest	On leave
9745	Kiely, Daniel	O. Carm.	Port Melbourne
9922	Kiernan, James Bernard	M.S.C.	Black Rock
8316	Killeen, Michael Joseph	Priest	St. Patrick's Cathedral, Melbourne
6864	Kissane, Francis Patrick	Ph. Prt.	Sunbury
9273	Knuppel, Paul John	O. Carm.	Port Melbourne
9883	Kupe, Bruno	S.C.A.	Studley Park-road, Kew
8896	Lachal, Louis G.	S.J. . . .	Richmond
6207	Lande, James	Ph. Prt.	Gordon
7194	Lanigan, Joseph	Priest	Mentone
10150	Larsen, Francis	Priest	Flemington
10165	Lavery, John Francis	Priest	St. Patrick's Cathedral, Melbourne
9942	Lawlor, Gerald Patrick	S.J. . . .	Hawthorn
9947	Lee-Archer, Ronald J.	Priest	St. Patrick's Cathedral, Melbourne
8782	Leonard, Brian V.	Priest	Moonee Ponds
10041	Lewis, John Patrick	O.P.	East Camberwell
5472	Little, Thomas John	Ph. Prt.	Essendon
8259	Lombard, Francis William	Adm.	Collingwood
10101	Long, Vincent K.	O.F.M.	St. Paschal's, Box Hill
9369	Loughnan, Gerard Joseph	Priest	Deepdene
8234	Loughnan, Louis	S.J. . . .	St. Patrick's College, East Melbourne
5713	Loughnan, Patrick Roch	Ph. Prt.	Glen Iris
5323	Lynch, Hugh	Priest	Gordon
6025	Lynch, Patrick	Ph. Prt.	Flemington
7826	Lynch, Terence	O. Carm.	Carmelite Priory, Port Melbourne

* See note on page 3390.

LIST OF REGISTERED CLERGY, 31st DECEMBER, 1949—continued.

Number in Register.	Name.	Designation.*	Residence.
ROMAN CATHOLIC.—DIOCESE OF MELBOURNE—continued.			
8944	Lyons, Denis B.	Priest	St. Columban's North Essendon
9986	Lyons, Douglas Cecil	Priest	Ormond
10179	Lyons, Francis	Priest	St. Catherine's, Geelong
7030	Lyons, Patrick Francis	Bishop	St. Patrick's Cathedral, Melbourne
9838	McAlpine, Peter Angelus	O. Carm.	Middle Park
10062	McAraevey, John	S.J.	St. Patrick's College, East Melbourne
9275	McAuliffe, Marius	O.F.M.	"La Verna," Kew
8021	McCarthy, Cornelius	Priest	Fitzroy North
8789	McCarthy, Justin	Priest	Castlemaine
7784	McCarthy, Robert Butcher	S.J.	St. Patrick's College, East Melbourne
9856	McCarthy, Thos. William	Priest	Elsternwick
5828	McCarthy, Timothy	Ph. Prt.	Queenscliff
9642	McCristal, John Evangelist	O.F.M.	Kew
7396	McCusker, Andrew	O.M.I.	Sorrento
10112	McDonald, Alan Cavric	S.D.B.	"Rupertswood," Sunbury
6398	McDonnell, John	Ph. Prt.	Brunswick West
9797	McDonnell, John Louis	O.F.M.	"La Verna," Kew
8964	McEvoy, Patrick J.	S.J.	"Loyola," Watsonia
7693	McEvoy, William	O.P.	St. Dominic's, East Camberwell
9491	McGlynn, James	Priest	St. Columban's, North Essendon
7430	McGrade, Bernard	Ph. Prt.	Black Rock
9210	McGrath, Edward	M.S.C.	Croydon
8675	McGuane, Patrick J.	M.S.C.	Sacred Heart Monastery, Croydon
9354	McInerney, Philip Stanley	S.J.	"Kostka Hall," Brighton
8790	McKenna, Frederick J.	Priest	Geelong West
9208	McKenna, Leonard Thomas	S.S.S.	St. Francis', Melbourne
9347	McLaren, John Killian	Priest	Werribee
9863	McLean, Donald	O. Carm.	Middle Park
9315	McLean, Donald Edward	O. Carm.	"Whitefriars," Mitcham
9985	McLoughlin, Daniel Kevin	S.J.	Hawthorn
8778	McMahon, Kevin I.	O. Carm.	Middle Park
7156	McMahon, Roderick Joseph	C.M.	St. Joseph's, Malvern
9071	McMaster, John Cyril	C.S.S.R.	Mont Victor-road, Kew
9864	McNab, Edward	O. Carm.	Mitcham
10175	McNamara, James	S.J.	Hawthorn
8047	McNamara, John Patrick	Ph. Prt.	East Kew
9268	McPoland, John	Priest	North Essendon
8791	McQuillan, Patrick Joseph	Priest	Essendon
8609	McQuinn, Edmund	O.M.I.	Sorrento
9670	Madden, Thomas Fintan	O.F.M.	Kew
8502	Magan, James William	S.J.	Hawthorn
8431	Maguire, Francis Joseph	O.M.I.	Lovely Banks, Geelong
8413	Maher, George M.	Priest	Clifton Hill
9044	Malone, Maurice	O.F.M.	Box Hill
9230	Maltby, George	Priest	Collingwood
9523	Mangan, Martin Kevin	Priest	St. Columban's, Essendon North
3706	Mangan, William Bernard	Ph. Prt.	Balaclava
5099	Mannix, Daniel	Arch-Bp.	St. Patrick's Cathedral, Melbourne
9758	Mannix, Michael	C.M.	Malvern
7406	Mansfield, Michael	O. Carm.	Middle Park
7665	Marsh, Fredk. Jas	Priest	Fitzroy North
5695	Martin, Adrian James	Ph. Prt.	Camberwell
8542	Martin, Ernest James	C.M.	St. Joseph's, Malvern
6123	Martin, John	S.J.	Burke Hall, Kew
9011	Mattimoe, Killian	O.F.M.	"La Verna," Kew
10179	Lyons, Francis	Priest	St. Catherine's, Geelong
10012	May, Julian	O.F.M.	Mornington
10098	Mayne, Charles	S.J.	Werribee
9105	Meagher, John	S.J.	"Manresa," Hawthorn
8502	Meehan, James Paul	O. Carm.	Doncaster East
10180	Miller, Colin Henry	Priest	Kew
5837	Molan, Andrew Francis Aidan	Ph. Prt.	Alphington
9281	Moloney, Parker, John	Priest	St. Patrick's, Melbourne
9481	Moloney, Patrick Joseph	M.S.C.	Croydon
8229	Moloney, William	S.J.	St. Patrick's College, East Melbourne
9398	Moore, Gregory Denis	O. Carm.	"Whitefriars," Mitcham
8238	Moran, Lawrence Patrick	Priest	St. Patrick's Cathedral, Melbourne
8025	Morgan, John Aloysius	Ph. Prt.	North Richmond
8606	Morganti, William Gerard	O. Carm.	"Whitefriars," Mitcham
9604	Morris, Edmond	S.J.	Xavier College
7576	Morrison, Kenneth Roderick	Ph. Prt.	West Footscray
9994	Morrison, Michael Gerard	S.J.	Richmond
9655	Morrissey, Thomas Francis	C.S.S.R.	Kew
5596	Moynihan, Humphrey	Ph. Prt.	Daylesford
7830	Mullany, Luke	Priest	St. Columban's, North Essendon
9586	Mulligan, Thos. Alphonsus	Priest	South Melbourne
6397	Murphy, Denis Patrick	Ph. Prt.	Clifton Hill
8640	Murphy, Francis Bernard	Priest	Mentone
7559	Murphy, James	Ph. Prt.	Seymour
6482	Murphy, Jeremiah Matthias	S.J.	Newman College, Carlton
7577	Murphy, John Joseph	Ph. Prt.	Warburton
8479	Murray, Thomas Joseph	Priest	Melbourne, North
4915	Murtagh, Edward	Ph. Prt.	Carlton
7719	Murtagh, James George	Priest	Armadale
9253	Nalty, Charles Gabriel	O. Carm.	Middle Park
10015	Naughton, Thomas Bernard	Priest	Carlton

* See note on page 3390.

LIST OF REGISTERED CLERGY, 31ST DECEMBER, 1949—continued.

Number in Register.	Name.	Designation.*	Residence.
ROMAN CATHOLIC.—DIOCESE OF MELBOURNE—continued.			
8019	Nerney, John	S.J.	"Loyola," Watsonia
8575	Nette, Leo Felix	O.F.M.	Mornington Training College
9948	Nevin, John J.	Priest	St. Patrick's Cathedral, Melbourne
10124	Newington, Martin Luke	O.F.M.	Mornington
10005	Neyens, Peter J.	Priest	Brunswick
9207	Nolan, Frederick	Priest	St. Patrick's Cathedral, Melbourne
8848	Noonan, Joseph	Priest	Thornbury
7976	Nooney, James Alphonsus	Adm.	Altona
5452	Norris, James Thomas	Ph. Prt.	Coburg
7915	Nowlan, Edmund Harrington	Ph. Prt.	Gisborne
9376	Nugent, Basil Albert	O. Carm.	Middle Park
8235	Nugent, Edmund Joseph	O. Carm.	Middle Park
9393	Nugent, William Finian	O. Carm.	Port Melbourne
9342	O'Brien, Francis Donald	S.J.	"Manresa," Hawthorn
4253	O'Brien, John Aloysius	Ph. Prt.	Caulfield
7578	O'Brien, John Joseph	Ph. Prt.	Woodend
4798	O'Brien, Peter Joseph Aloysius	Dean	St. Mary's, Geelong
7343	O'Callaghan, Daniel	Ph. Prt.	Footscray
9099	O'Callaghan, Gerard	Priest	Carlton
4917	O'Callaghan, Timothy	Ph. Prt.	"Drusilla," Macedon
7195	O'Carroll, John	Ph. Prt.	Meredith
8457	O'Collins, William	S.J.	Hawthorn
8447	O'Connell, James Christopher	Priest	St. Columban's, North Essendon
7622	O'Connor, Bernard Francis	Ph. Prt.	Camberwell South
9798	O'Connor, Daniel	Priest	Mansfield
9357	O'Connor, Michael Bernard	Priest	Newport
7027	O'Connor, Patrick John	Ph. Prt.	Trentham
5488	O'Doherty, Patrick Joseph	Ph. Prt.	Werribee
9100	O'Donnell, John Kevin	Priest	Seymour
9758	O'Donovan, Austin Aloysius	O.F.M.	"La Verna," Kew
8260	O'Driscoll, William Andrew	Ph. Prt.	Croydon
10138	O'Dwyer, Alphonsus	Priest	St. Patrick's Cathedral, Melbourne
10076	O'Dwyer, John Joseph	O.M.I.	Lovely Banks, Geelong
7827	O'Farrell, Bernard	O.Carm.	Middle Park
4069	O'Farrell, William John	Ph. Prt.	Yarraville
9683	O'Gorman, Patrick Thomas	Priest	St. Joseph's, Collingwood
3707	O'Grady, James Henry	Ph. Prt.	Preston
6399	O'Halloran, John Henry	Ph. Prt.	Ormond
7458	O'Hanlon, Francis	Ph. Prt.	Mentone
8036	O'Hea, Brendan	C.M.	Stanhope-street, Malvern
6649	O'Keefe, Joseph Edward	Ph. Prt.	Prahran
10181	O'Keefe, Joseph Francis	Priest	Essendon
9823	O'Mahony, Charles	Priest	North Essendon
9668	O'Mahoney, Kevin	Priest	North Essendon
9792	O'Mahony, Michael Jas.	S.J.	Xavier College
7431	O'Neill, James	Ph. Prt.	Moreland
9365	O'Neill, John Laurence	Priest	Bacchus Marsh
8608	Opie, James Francis	Ph. Prt.	Koo-wee-rup
9583	O'Reilly, Donal Christopher	Priest	Toorak
9756	O'Reilly, James Kevin	C.M.	Malvern
9893	O'Reilly, Thomas Philip	Priest	St. Joseph's, Malvern
7982	O'Rorke, Jerome	O.P.	East Camberwell
8943	O'Rorke, Thomas	Priest	Brunswick
7673	O'Rourke, Leo	Ph. Prt.	West Preston
10067	O'Rourke, Thomas Michael	Priest	St. Patrick's Cathedral, Melbourne
6099	O'Ryan, Thomas	Ph. Prt.	Kensington
10182	O'Shea, John Aloysius	Priest	Mentone
8874	O'Sullivan, James Hugh	O. Carm.	Port Melbourne
9434	O'Sullivan, Kevin	S.J.	Corpus Christi College, Werribee
6319	O'Sullivan, Michael	Ph. Prt.	Dandenong
7619	O'Sullivan, Michael	Ph. Prt.	Lilydale
7466	O'Sullivan, Timothy	Ph. Prt.	Bentleigh
3559	O'Sullivan, Timothy Francis	Dean	Kyneton
6243	O'Toole, Francis Joseph	Ph. Prt.	Ringwood
8646	Payne, Bernard	Priest	Geelong
9316	Pearson, Bernard Stephen	O.F.M.	St. Paschal's Box Hill
8792	Perkins, Eric	Priest	Flemington
8022	Perkins, John	Priest	St. Patrick's Cathedral, Melbourne
9397	Perry, Bernard	S.J.	"Manresa," Hawthorn
8745	Peterson, Robert	S.J.	Corpus Christi College, Werribee
9865	Peyton, Cyril J.	S.J.	Hawthorn
9987	Phelan, John Joseph	Priest	Ferntree Gully
9027	Phillips, Elzear Basil	O. Carm.	Chaplain
7935	Pierce, John Patrick	Priest	Altona
9678	Pietzsch, William	Priest	West Preston
8793	Pooley, Wilfred	Ph. Prt.	North Tynong
9500	Poulsen, Ronald	Priest	Balaclava
6098	Power, Patrick	Ph. Prt.	Heidelberg
4698	Power, Thomas	Ph. Prt.	South Melbourne
8035	Power, Thomas Stanislaus	C.M.	Stanhope-street, Malvern
10118	Prentice, Robert Patrick	O.F.M.	Box Hill
9958	Pryke, Roger J.	Priest	St. Patrick's Cathedral, Melbourne
7323	Purcell, Thomas William	O.M.I.	Sorrento
9517	Quick, Jno. Raymond	Priest	Mornington
8343	Quilter, Gerard	Priest	Brunswick West
8425	Quinn, Joseph Aloysius	C.M.	Malvern

* See notes on page 3390.

LIST OF REGISTERED CLERGY, 31ST DECEMBER, 1949—continued.

Number in Register.	Name.	Designation.*	Residence.
ROMAN CATHOLIC.—DIOCESE OF MELBOURNE—continued.			
9420	Quinn, Leo	C.M.	St. Joseph, Malvern
9469	Quirk, Bernard	O.F.M.	"La Verna," Kew
9367	Rafter, Michael James	Priest	Ascot Vale
8493	Rafter, Richard John	Priest	Geelong
9064	Randall, Albert	Priest	Geelong
8649	Reis, Conrad W.	Priest	Moreland
10001	Robb, Peter	C.S.S.R.	Mont Victor-road, Kew
10159	Roche, Denis	Priest	Mansfield
9513	Roche, Jno. Bernard	Priest	Crib Point
8412	Rogers, Brendan	O.F.M.	"Morning Star," Mornington
4563	Rohan, Anthony	Ph. Prt.	Fitzroy
7584	Rovira, William	Ph. Prt.	Murrumbena South
8624	Ryan, Gerald Paul	Priest	South Melbourne
7985	Ryan, James Leo	Ph. Prt.	Wonthaggi
9992	Ryan, James V.	C.S.S.R.	Kew
9841	Ryan, John	S.D.B.	"Rupertswood," Sunbury
9923	Ryan, John	O.M.I.	Sorrento
7711	Ryan, John Joseph	Ph. Prt.	Asburton
10183	Ryan, Kevin	Priest	Brunswick
8933	Ryan, Leo	Priest	Williamstown
6758	Ryan, Patrick	Ph. Prt.	Reservoir
9594	Ryan, Patrick Ambrose	O.F.M.	Box Hill
8336	Ryan, Vincent	O.P.	St. Dominic's, East Camberwell
6400	Ryder, Francis Thomas	Ph. Prt.	Armadale
9232	Scarborough, John William	Priest	St. Patrick's Cathedral, Melbourne
9653	Schneider, Paul Geoffrey	S.J.	Hawthorn
9637	Scott, Michael	S.J.	Hawthorn
9926	Sexton, Frank L.	C.S.S.R.	Meredith
7672	Shelton, Patrick	Ph. Prt.	Healesville
10081	Simonazzi, Nicola	O.F.M. Cap.	182 Power-street, Hawthorn
9585	Shorten, James Joseph	Priest	Mansfield
9240	Skehill, Raymond Joseph	Priest	West Melbourne
9104	Simmonds, Justin D.	Co-Ad.	West Melbourne
		Arch-Bp.	
9682	Smith, Philip Gerard	Priest	East Brunswick
8921	Smith, Walmsley, James	S.J.	Xavier College, Kew
5597	Sowersby, Percy Edward	Ph. Prt.	Yea
9553	Spillane, John	Priest	Geelong West
7158	Stapleton, Robert James	Ph. Prt.	Mornington
8794	Steele, Herbert	Priest	Brunswick
7667	Stephenson Patrick Joseph	S.J.	Xavier College, Kew
9715	Stinson, William Howard	C.S.S.R.	Kew
8929	Sullivan, Desmond	Priest	On leave
9098	Sullivan, Gerard	Priest	South Yarra
6276	Sullivan, Jeremiah	S.J.	"Loyola," Watsonia
8931	Tellefson, Leo Thomas	Priest	Geelong
9793	Tierney, John Evan	M.S.C.	Croydon
9989	Torr, Brendan	Priest	Brunswick West
10123	Tough, James A.	S.S.S.	St. Francis', Melbourne
9998	Tracey, Patrick J.	S.J.	Hawthorn
8085	Tresidder, John Joseph	Ph. Prt.	Manifold
9787	Tschauder, John Joseph	Priest	Ivanhoe
7005	Tuomey, Michael	Ph. Prt.	Castlemaine
9514	Turner, Victor Spiro	S.J.	Richmond
9820	Tyler, Stanislaus	M.S.C.	Croydon
9076	Van Prooyen, Thomas	S.J.	St. Patrick's College, East Melbourne
4342	Vaughan, Michael Augustine	Ph. Prt.	Thornbury
9272	Vawdrey, John Clement	O.F.M.	St. Paschal's, Box Hill
9854	Wall, James Benedict	Priest	Preston
9767	Wallis, John Corcoran	Priest	St. Patrick's Cathedral, Melbourne
10031	Walsh, Thomas A.	S.J.	Hawthorn
4068	Walsh, Walter Patrick	Ph. Prt.	Elsternwick
9702	Way, William Bernard	Priest	North Essendon
8920	Wedge, Ian	Priest	Diamond Creek
10025	White, Thomas Augustine	Priest	Northcote
10072	Whitty, Alan D.	Priest	St. Patrick's Cathedral, Melbourne
9929	Wilkins, Henry G.	S.J.	St. Patrick's College, East Melbourne
8928	Williams, Kevin	Priest	South Yarra
4689	Willis, Vincent	Ph. Prt.	Moonee Ponds
8583	Worms, Ernest	P.S.M.	85 Studley Park-road, Kew
ROMAN CATHOLIC.—DIOCESE OF BALLARAT.			
8385	Bourke, Thomas	Priest	Linton
9055	Boylan, Daniel	Priest	Ballarat
3427	Brazil, Daniel	Dean	Swan Hill
9808	Bohan, Patrick Michael	Priest	Ballarat
4584	Brophy, James Timothy	Priest	Stawell
7371	Browne, Thomas	Priest	Mildura
6801	Bushell, Patrick Joseph	Priest	Manangatang
3456	Cain, William	Priest	Portland
7296	Callaghan, Patrick	Priest	Ararat
4937	Conlon, Michael Joseph	Priest	Coleraine
7618	Conway, James	Priest	Koroit
4343	Conway, Louis	Priest	Colac
7674	Crowe, Francis James	Priest	Ballarat East
5918	Daly, Thomas Jos.	Priest	Landsborough

* See note on page 3390.

LIST OF REGISTERED CLERGY, 31ST DECEMBER, 1949—continued.

Number in Register.	Name.	Designation.*	Residence.
ROMAN CATHOLIC.—DIOCESE OF BALLARAT—continued.			
5741	D'Arcy, Thomas	Priest	Birregurra
7549	Day, John Michael Joseph	Priest	Horsham
8882	Delahenty, Meredith Francis	Priest	Port Fairy
7898	Doyle, Michael	Priest	Warracknabeal
4790	Duffy, Bernard	Priest	Camperdown
5222	Duggan, Declan	Priest	Quambatook
8670	Dunne, Donald John	Priest	Maryborough
6201	Dunworth, Robert	Priest	Inglewood
8529	Edwards, Michael	Priest	Hamilton
8638	Fiscalini, Leo S.	Priest	Ballarat
6009	Gaffney, Matthew Hugh	Priest	Creswick
7883	Gaffney, Michael Patrick	Priest	Camperdown
5019	Galligan, Eugene Robert	Monsignor	Warrnambool
9843	Gallagher, Laurence Gerard	Priest	Ballarat
6317	Gellie, Robert Matthew	Priest	Clunes
5997	Gleeson, John Harold	Priest	Maryborough
4793	Gleeson, Martin	Priest	Mortlake
5853	Glennon, Michael Patrick	Priest	Penshurst
5781	Glowrey, Edward	Dean	St. Arnaud
7389	Glynn, Thomas Joseph	Priest	Warrnambool
8510	Grady, Michael	Priest	Swan Hill
7837	Green, James Leslie	Priest	Mildura
8197	Harney, Francis John	Priest	Charlton
7372	Healey, Cornelius	Priest	Cororooke
6378	Hussey, Thomas	Priest	Mildura
5618	Hyland, James	Priest	Bungaree
9062	Kehoe, James Bernard	Priest	Inglewood
10099	Kelly, John Patrick	Priest	Charlton
3625	Kerin, John	Priest	Coragulac
8078	Kiniry, Thomas	Priest	Ballarat
8030	Kirby, John Francis	Priest	Colac
5782	Leyden, John Edwin	Priest	Watchem
8029	Linane, Thomas James	Priest	Horsham
6605	Lynch, Patrick	Priest	Ouyen
9509	McCunnie, Wm. Joseph	Priest	Ballarat
7821	McDermott, Bartholomew	Priest	Hopetoun
4690	McGowan, Daniel	Priest	Port Fairy
5854	McGrath, William Joseph	Priest	Nhill
7601	McInerney, James	Priest	Ballarat
9352	McKenzie, Francis Joseph	Priest	Hamilton
9351	McKenzie, John Coleman	Priest	Koroit
7585	McMahon, William	Priest	Colac
8822	Meagher, Daniel	Priest	St. Arnaud
8093	Monk, Leonard John	Priest	Camperdown
5063	Mulcahy, Charles	Priest	Linton
4360	Mulcahy, Michael	Dean	Terang
9254	O'Brien, John Michael J.	Priest	Koroit
9032	O'Brien, Thomas Patrick	Priest	Ballarat
7680	O'Bryan, Edward	Priest	Ararat
9218	O'Collins, James Patrick	Bishop	Ballarat
5742	O'Connell, Daniel Francis	Priest	Horsham
6420	O'Dowd, Patrick	Priest	Ballarat
7838	O'Keefe, Patrick Gerard	Priest	Terang
7362	O'Keefe, Martin	Priest	Port Fairy
5083	O'Rourke, Stephen	Priest	Portland
5617	O'Shanassy, Peter Joseph	Priest	Warracknabeal
6534	Payne, George Gerrard	Priest	Sea Lake
7155	Philbin, Michael	Priest	Hopetoun
9615	Ruane, Denis Joseph	Priest	Pinnaroo, South Australia
8667	Russell, John Joseph	Priest	Swan Hill
8541	Russell, Thomas Patrick	Priest	Bungaree
3678	Ryan, Edward Vaughan	Priest	Casterton
7544	Ryan, Vincent Edmund Michael	Priest	Ballarat
4355	Ryan, William	Priest	Harrow
6010	Scanlan, Thomas	Priest	Donald
6842	Shanley, Michael John	Priest	Birregurra
8532	Shelley, John Michael	Priest	Ballarat
8298	Smith, John Edmund Collas	Priest	Ballarat
7586	Sproules, Vincent Denis	Priest	Nhill
8340	Sullivan, Roy Victor	Priest	Warrnambool
8050	Timmons, James	Dean	Ararat
ROMAN CATHOLIC.—DIOCESE OF SALE.			
10119	Caffrey, William	Priest	Sale
5162	Callanan, John Joseph	Ph. Prt.	Maffra
3628	Cremin, Cornelius Francis	Ph. Prt.	Bairnsdale
8028	Crowe, Patrick Stanislaus	Ph. Prt.	Yarram
7992	Cunningham, John	Ph. Prt.	Toora
8266	Daly, Joseph Dominick	Ph. Prt.	Orbost
9593	Duffy, James Francis	Priest	Sale
6386	Dwyer, Michael Joseph	Priest	Maffra
4664	Fitzpatrick, James T.	Ph. Prt.	Leongatha
8373	Hannify, Kevin William	Priest	Cowwarr
8515	Hynes, Edward	Adm.	Warragul
6096	McCormack, John Joseph	Ph. Prt.	Morwell
5890	O'Donnell, James	Ph. Prt.	Cowwarr

* See note on page 3300.

LIST OF REGISTERED CLERGY, 31ST DECEMBER, 1949—continued.

Number in Register.	Name.	Designation.*	Residence.
ROMAN CATHOLIC.—DIOCESE OF SALE—continued.			
10151	O'Dwyer, Patrick O. M. I.	Priest	Warragul
8086	O'Hea, John	Ph. Prt.	Omeo
5827	O'Mara, James Emmett	Ph. Prt.	Traralgon
10117	O'Regan, Francis	Priest	Morwell
9116	Ruth, Francis Peter	Priest	Leongatha
6707	Ryan, Richard	Bishop	Sale
9923	Ryan, John O.M.I.	Ph. Prt.	Moe
9617	Todd, George Joseph	Priest	Bairnsdale
7438	Walsh, John	Ph. Prt.	Yallourn
7056	Walsh, William	Ph. Prt.	Trafalgar
9197	Ward, Richard Joseph	Priest	Bairnsdale
ROMAN CATHOLIC.—DIOCESE OF SANDHURST.			
4256	Armstrong, William Joseph	Ph. Prt.	Euroa
5684	Awburn, Joseph Thomas	Ph. Prt.	Wodonga
8619	Batchelor, William Joseph	Priest	Heathcote
5933	Borrack, Charles William	Ph. Prt.	Kerang
9600	Bones, Anthony	Priest	Bendigo
6782	Bowman, Michael Joseph	Ph. Prt.	Rushworth
9599	Byrne, James Joseph	Priest	Bendigo
8224	Cahill, Thomas Vincent	Priest	Bendigo
8080	Cochrane, Vincent	Priest	Benalla
9223	Collins, Patrick Joseph	Priest	Chaplain
4196	Cremin, James	Ph. Prt.	Numurkah
9521	Curtin, John Joseph	Priest	Yarrawonga
8480	Deegan, Patrick Cornelius	Priest	Chaplain
7713	Doherty, Joseph	Priest	Cobram
7348	Dowling, James Thomas	Priest	Tallangatta
8308	Downey, James Thomas	O.S.A.	Echuca
7201	Downey, Michael Joseph	Ph. Prt.	Mooroopna
4434	Duggan, John	Ph. Prt.	Tatura
5719	Dullard, Patrick	Ph. Prt.	Elmore
8333	Duncan, James	Priest	Wodonga
7974	Egan, Edward	Priest	Shepparton
6506	Egan, John Francis	Ph. Prt.	Cohuna
4234	Ellis, Peter William	Ph. Prt.	Cobram
9497	Forster, John	Priest	Rutherglen
9239	Gallacher, John	Priest	Tatura
8437	Galway, James Kevin	O.S.A.	Chaplain
7477	Grace, James Augustine	O.S.A.	Rochester
9344	Harney, William Joseph	Priest	Myrtleford
8797	Hogan, James Simeon	Priest	Wangaratta
9539	Hogan, John	Priest	Rochester
7841	Hussey, John	Ph. Prt.	Bright
4913	Keane, Alphonus	Ph. Prt.	Marong
9676	Kilmartin, David	Priest	Marong
9508	Kiniry, John	Priest	Tallangatta
9227	Lacey, Leo	Priest	Wangaratta
9931	Lane, Patrick Leo	Priest	Bendigo
4192	Lawless, James	Ph. Prt.	Rutherglen
7330	Lehane, James Timothy	Ph. Prt.	Heathcote
2678	McCarthy, John	Bishop	The Palace, Bendigo
6095	McGolrick, Terence Canice	O.S.A.	Rochester
4941	Maddock, Luke Patrick	O.S.A.	Echuca
3367	Mahony, Peter	Vicar General	Wangaratta
4444	Meyer, Otto Francis	Ph. Prt.	Myrtleford
4357	Moran, John	Ph. Prt.	Dookie
5607	Murphy, Thomas	Ph. Prt.	Shepparton
5164	O'Connor, Frederick Charles	Ph. Prt.	Pyramid Hill
6387	O'Connor, Patrick	Priest	Bendigo
10092	O'Neill, Donal Roe	Priest	Wodonga
8728	O'Reilly, Michael	Priest	Beechworth
5908	O'Sullivan, Patrick	Ph. Prt.	Nathalia
8334	Owens, Arthur Edward	Priest	Bendigo
9353	Owens, Arthur Raymond	Priest	Kerang
8226	Owens, Francis Joseph	Priest	Yarrawonga
8309	Phelan, James Joseph	O.S.A.	Kyabram
3985	Rohan, Matthew Joseph	Ph. Prt.	Benalla
8924	Ryan, John Simeon	Priest	Bendigo
5341	Ryan, Joseph	Ph. Prt.	Beechworth
8370	Sait, George Leonard	Priest	Euroa
9461	Scott, Timothy	Ph. Prt.	Pyramid Hill
7494	Semmens, James Vincent	Ph. Prt.	Eaglehawk
7570	Shanahan, George Hatchell	Ph. Prt.	Nagambie
7459	Stewart, Bernard Denis	Coad.-Bp.	Bendigo
7028	Stokes, Patrick	O.S.A.	Kyabram
4329	Tehan, Edward	Ph. Prt.	Yarrawonga
8925	Thomas, Basil Aloysius	Priest	Wangaratta
7533	Thomas, Francis Xavier	Priest	Bendigo
8307	Treacy, William Declan	O.S.A.	Echuca
8620	Wood, John Fearn	Priest	Elmore

* See note on page 3390.

LIST OF REGISTERED CLERGY, 31ST DECEMBER, 1949—continued.

Number in Register.	Name.	Designation.	Residence.
PRESBYTERIAN CHURCH OF VICTORIA.			
6997	Abbott, Horace Ebenezer	Minister .. .	128 South-road, Hampton
9627	Absalom, Arthur Irvine	Minister .. .	Macarthur
9176	Aikin, Hamilton	Minister .. .	41 Walbundry-avenue, North Balwyn
9696	Aitken, John	Minister .. .	Bendigo
5068	Alexander, John	Minister .. .	69 Cockrane-street, Brighton
9166	Alan, Thomas Gillan	Minister .. .	173 Buckley-street, Essendon
8912	Allison, James Brewer	Minister .. .	21 Denbigh-road, Armadale
6536	Alston, William Archibald	Minister .. .	25 Edward-street, Kew
8441	Anderson, George	Minister .. .	Mayfield-street, Coburg
7525	Anderson, John Shirley	Minister .. .	Stratford
5106	Anderson, William Davenport .. .	Minister .. .	Portarlington
6208	Andrews, Charles Richard	Minister .. .	Croydon
8121	Archer, Ernest Wallace	Minister .. .	Inverleigh
7990	Armour, John	Minister .. .	Albury
7656	Ashmore, Harold James	Minister .. .	Kilmore
7925	Auldist, Clifford William	Minister .. .	Hamilton
4863	Baird, Ernest McNicol	Minister .. .	Beacac
8877	Baker, Paul William Robertson .. .	Minister .. .	Richmond
6915	Banks, Arthur	Minister .. .	7 Leeds-street, Canterbury
5814	Barber, John Andrew	Minister .. .	8 Moore-street, Hawthorn
9685	Barr, Archibald Crichton	Minister .. .	Scots' Church, Melbourne
6820	Bates, John Haddon	Minister .. .	Balmoral
9813	Beatty, James	Minister .. .	Canterbury
9870	Belcher, Frederick S.	Minister .. .	Smeaton
6959	Bell, Alexander Alfred	Minister .. .	35 First-avenue, East Kew
9776	Beecher, James Walter	Minister .. .	South Melbourne
4775	Bett, William	Minister .. .	84 Adeney -avenue, Kew
9244	Billinge, Kenneth Clive	Minister .. .	Springvale
6843	Bishop, Edward William Samuel .. .	Minister .. .	Mornington
9749	Blackwood, Ron. A.	Minister .. .	Geelong
5812	Blackwood, William Edgar	Minister .. .	Buninyong
8039	Boag, Andrew	Minister .. .	Tatura
8581	Borland, Francis Thomas	Minister .. .	Gardenvale
9830	Boucher, Frederick Walter	Minister .. .	Belmont
9806	Bowles, Charles Ernest	Minister .. .	Bombala, New South Wales
7730	Brodie, Alexander Donald	Minister .. .	Maryborough
9079	Broughton, David Seymour	Minister .. .	153 Toorak-road, Camberwell
9744	Brown, Neil	Minister .. .	Berriwillook
8589	Bucknall, John Graeme	Minister .. .	105 Barkers-road, Kew East
10029	Burns, Arthur Lee	Minister .. .	7 Berkeley-street, Hawthorn
5073	Butchers, Frank Herbert	Minister .. .	28 Manningtree-road, Hawthorn
6751	Butler, Richard Greenshields	Minister .. .	19 Rose-street, Bentleigh
7103	Button, Clifford Norman	Minister .. .	St. Andrew's, Ballarat
8626	Calder, Stuart Campbell	Minister .. .	Chaplain
9511	Camp, Francis Howard	Minister .. .	Morwell
6619	Campbell, George Paterson	Minister .. .	Ebenezer Manse, Ballarat
10061	Campbell, Marshall Stopford	Minister .. .	Lang Lang
6166	Carey, Herbert Edward	Minister .. .	34 Combermere-street, Essendon
10038	Cartwright, Lindsay, Alfred	Minister .. .	Mount Beauty
7361	Chaliner, John Percy	Minister .. .	69 North-road, Oakleigh South
4531	Chapman, William	Minister .. .	Balwyn
4159	Chapple, Edward Henry	Minister .. .	Warrigal-road, Oakleigh
8130	Chisholm, Farquhar	Minister .. .	16 Bristol-avenue, Chelsea
8038	Clark, Angus Mackay	Minister .. .	Romsey
6712	Clark, Henry	Minister .. .	St. Giles, Geelong
8496	Clayton, Lewis	Minister .. .	Beechworth
6956	Collins, Andrew Morton	Minister .. .	84 Windella-avenue, East Kew
7955	Collins, Arthur Ernest Claremont .. .	Minister .. .	Wangaratta
9640	Colvin, John	Minister .. .	Bulla
8730	Corr, Bertram James Reford	Minister .. .	Yarrowonga
9631	Cottrell, Arthur Thomas	Minister .. .	Beaufort
5211	Coulter, James Crighton	Minister .. .	Glyndon-road, Hartwell
2560	Crockett, John A.	Minister .. .	12 Staniland-grove, Elsternwick
6677	Darby, Thomas William	Minister .. .	Tongala
3673	Davidson, Arthur Irving	Minister .. .	North Balwyn
7013	Day, Ernest Clement	Minister .. .	Batesford
8194	Dickie, Alfred Matthew	Minister .. .	151 Robert-street, Essendon
6316	Donaldson, Harry Humphrey	Minister .. .	Southey-street, Sandringham
8089	Dow, Donald	Minister .. .	Murchison
8079	Drennan, David	Minister .. .	Camperdown
9180	Dunkley, Roy Arthur	Minister .. .	Cobram
8363	Eadie, Angus Campbell	Minister .. .	Geelong
7566	Elliott, Walter Henry	Minister .. .	Chilwell
9107	Elmore, Herbert Frank	Minister .. .	136 Bridge-street, Port Melbourne
9121	Fabb, Earl Edward	Minister .. .	Ascot Vale West
8576	Faichney, Norman	Minister .. .	Shepparton
5137	Faram, Francis George	Minister .. .	Leongatha
9952	Faulkner, William R.	Minister .. .	Tallangatta
8177	Fearon, Douglas	Minister .. .	East St. Kilda
7381	Finch, William George	Minister .. .	Broadford
8325	Finlay, Jack Adams	Minister .. .	Dandenong
5896	Fitzgerald, William George	Minister .. .	20 Bain-avenue, Merlynston
9350	Fletcher, Albert Heathcote	Minister .. .	or Spring-road, and Dudley-avenue, Moorabbin
5798	Fletcher, Charles Thomas	Minister .. .	Percy-street, Mitcham
9707	Forbes, David	Minister .. .	Nyah West
4001	Forbes, Ernest Albert	Minister .. .	Lismore
7145	Ford, Harold Gordon	Minister .. .	Cobden
5585	Forster, Peter Lewis	Minister .. .	Sassafras

LIST OF REGISTERED CLERGY, 31ST DECEMBER, 1949—continued.

Number in Register.	Name.	Designation.	Residence.
PRESBYTERIAN CHURCH OF VICTORIA—continued.			
7197	Forsyth, John McDougall	Minister	31 Fairview-avenue, Burwood
8505	Foyster, John Causton	Minister	Preston
8795	Foyster, Robert Causton	Minister	18 Park-street, Burnley
6879	Fraser, Finlay	Minister	6 Cromwell-road, Hawksburn
8005	Fraser, William Alec	Minister	Scotch College
7398	Geddes, Alexander Clarke	Minister	240 Station-street, Fairfield
9578	George, James	Minister	Streatham
8359	Gillan, James Paton	Minister	27A Bryson-street, Canterbury
9815	Gillan, John Whitecross Paton	Minister	Drouin
5497	Gillies, John	Professor	Park-street, South Yarra
9809	Gilmour, Wm. Frederick	Minister	Red Cliffs
8051	Goddard, Sydney Alfred	Minister	Oulton-street, Caulfield
9066	Goy, Christopher Thomas Frow	Minister	Coppin-street, East Malvern
3564	Goyen, William	Minister	28 Manningtree-road, Hawthorn
8853	Guest, Thomas	Minister	Torquay
6257	Hadley, Sydney Cloverdon	Minister	Albert Park
7134	Hadley, Vincent Flower	Minister	Ormond
3561	Hagenauer, Frederick August	Minister	Cairns Memorial, East Melbourne
6474	Hamilton, John Pollock	Minister	156 Collins-street, Melbourne
4472	Hardie, Andrew Oswald	Minister	31 North-road, Elwood
6348	Harland, Coledege	Minister	Cape-street, Heidelberg
8362	Harris, Harry Alexander	Minister	Elwood
7564	Harrison, Arthur Glover	Minister	156 Collins-street, Melbourne
7738	Harrison, George Edward	Minister	156 Collins-street, Melbourne
9004	Harrison, Walter	Minister	Rupanyup
9897	Hatton, Leslie W.	Minister	Orbost
9918	Hastie, William Bremner	Minister	Sea Lake
10149	Harper, Daniel Manson	Minister	Kyneton
9695	Heggie, Arthur John	Minister	Boort
6781	Henderson, Arthur James	Minister	North Williamstown
5739	Heriot, Frederick Llewellyn	Minister	Mordialloc
9735	Heriot, Reginald Kenneth	Minister	Murrayville
6980	Higginbottom, Samuel John	Minister	Terang
6911	Hill, Samuel James	Minister	Creswick
6351	Hipwell, Conrad, Edmund	Minister	18 View-street, Alphington
8648	Hogben, Ernest William	Minister	Scots' Manse, West Geelong
9742	Holmes, George William	Minister	Bonbeach
6027	Holt, Wilfred John	Minister	Sorrento
4479	Hood, Samuel Dunlop	Minister	10 Edward-street, Sandringham
4542	Houston, Alexander Sommerville	Minister	Box Hill
4448	Houston, Cambell Ross	Minister	13 Madden-avenue, Glenhuntly
3525	Houston, Robert John	Minister	Ringwood
10051	Hovendon, Harry Wilbert	Minister	Bacchus Marsh
8651	Howden, William Ballemy	Minister	Ararat
7257	Hume, Frank Lynam	Minister	121 Gordon-street, Balwyn
9493	Humphery, Louis Morton	Minister	Frankston
8590	Hurse, John Lewis	Minister	Woodend
5563	Ingram, William Whatley	Minister	Heidelberg
7861	Ivory, Alfred William	Minister	Cheltenham
9999	Jamieson, John Forrester	Minister	Casterton
8528	Jamieson, Alexander Rennie Chapman	Minister	Auburn
7447	Jamieson, John Chapman	Minister	7 Mary-street, Hawthorn
9284	Jenkin, Hedley Vivian	Minister	Donald
7184	Johnson, George Leonard	Minister	Skipton
6454	Jones, Arthur Thomas	Minister	93 Westbourne-grove, Northcote
6493	Jones, Henry Gwynne	Minister	42 Barcelona-street, Box Hill
4806	Jones, Isaac Glyn	Minister	402 Mont Albert-road, Mont Albert
7502	Jones, James	Minister	23 Gladstone-parade, Elsternwick
10087	Jones-Roberts, Evan	Minister	Mansfield
9336	Karmouche, Alfred Colin	Minister	Mentone
8862	Keays, Charles Ernest Orme	Minister	12 Purrumbete-avenue Manifold Heights
6032	Kelly, James Thompson	Minister	221 Bluff-road, Sandringham
6525	Kelly, William	Minister	St. John's, Ballarat
4368	King, Joseph Liddle	Minister	15 Waratah-avenue, Glenhuntly
9247	Kippax, Edward McIntyre	Minister	Strathmore
2002	Laity, William Stanley	Minister	Werribee
7163	Langhorne, Arthur	Minister	11 Balmoral-crescent, Mont Albert
4956	Lawson, Archibald Frederick	Minister	30 Glen Iris-road, Camberwell
8305	Lawson, Gavin	Minister	Numurkah
4043	Leggo, James	Minister	97 Central-road, Blackburn
8927	Leitch, Andrew Hugh	Minister	Coleraine
9747	Littler, Wm. Harvey	Minister	Quambatook
9053	Lloyd, John Edward	Minister	Cororooke
10110	Lowden, Aubrey Howard	Minister	Stephen-street, Yarraville
8125	Luck, Kenneth Kempton	Minister	Bairnsdale
4999	Lusted, Albert Christopher Mount	Minister	21 Bellairs-avenue, Seddon
9472	McAllister, Alexander Johnstone	Minister	Nathalia
4779	Macaulay, Robert Wilson	Minister	20 Waterloo-street, Camberwell
4747	McCook, William Henry	Minister	Wickliffe
7834	McDonald, Neil	Minister	Willaura
7690	McDonald, Norman Thomas	Minister	Learmonth
4441	MacDougall, John Patrick	Minister	Beaufort
6427	McIlroy, William	Minister	23 Boothy-street, Northcote
7378	Mackenzie, Alexander Allison	Minister	Birregurra
8579	Mackenzie, James Noble	Minister	Deepdene
8433	McKenzie, Kenneth Ross	Minister	Woodford
9465	McKenzie, William Henry P.	Minister	Alexandra
8657	McLean, John Alastair Kenneth	Minister	Benalla

LIST OF REGISTERED CLERGY, 31ST DECEMBER, 1949—continued.

Number in Register.	Name.	Designation.	Residence.
PRESBYTERIAN CHURCH OF VICTORIA—continued			
7929	MacLean, Walter	Minister ..	156 Collins-street, Melbourne
8627	McLelland, Roy	Minister ..	Derrinalum
9826	MacLeod, Robert William	Minister ..	Denbigh-road, Armadale
6142	McMeekin, Alexander Leslie Duncan	Minister ..	Sandringham
8802	McMillan, Allan	Minister ..	Brighton
8326	McNaughton, Allan Thomas	Minister ..	33 Denbigh-street, Hawthorn
9271	McNaughton, Angus Intyre	Minister ..	Sunbury
8705	Macneil, Alexander Rowan	Minister ..	30 Wrixon-street, Kew
10139	MacNicol, John Duncan Allen	Professor ..	Ormond College, Carlton
8350	McQueen, Malcolm	Minister ..	Mortlake
10139	Marchant, Arthur Dudley Bathgate	Minister ..	21 Denbigh-road, Armadale
5445	Marshall, William Douglas	Minister ..	Burwood
7569	Martin, Allan	Minister ..	621 Punt-road, South Yarra
7930	Matear, Charles	Minister ..	2 St. Columb's-street, Glenferrie
7617	Mathers, William Henry Meredith	Minister ..	Regent
9419	Matters, William Roy	Minister ..	Ascot Vale
4431	Matthews, Henry Charles	Minister ..	2 Campbell-road, Balwyn
6545	Menzies-Miller, Thomas	Minister ..	Daylesford
10008	Merritt, Roy Vernon	Minister ..	499 Riversdale-road, Surrey Hills
9360	Messenger, Albert Camerton	Minister ..	Ballan
8016	Michell, Arthur Henry	Minister ..	Warragul
9097	Miller, Ernest Gwyn	Minister ..	Abbotsford
9518	Miller, Rhys Abion	Minister ..	Warrnambool
9922	Miller, William	Minister ..	Lismore
9561	Mills, James Villiers	Minister ..	Portland
8611	Mitchell, Donovan Frederick	Minister ..	15 Balmoral-crescent, Surrey Hills
6636	Mitchell, Richard George	Minister ..	Kyabram
9314	Morgan, William	Minister ..	Trafalgar
7007	Morton, Horatius Scott	Minister ..	493 Law Courts-place, Melbourne
8895	Moscript, Joseph Alexander	Minister ..	Sebastopol
8346	Munro, David Dunlop	Minister ..	West Brunswick
8704	Munro, David Ian	Minister ..	Skipton
2936	Murray, William John	Minister ..	32 Fairmont-avenue, Camberwell
4414	Nairn, Robert	Minister ..	Burwood
8126	Nathan, Graham	Minister ..	Maffra
9498	New, Esmond Walter	Minister ..	102 Hotham-streer, East St. Kilda
9269	Noack, Robert Henry	Minister ..	8 Cumberland-road, Pascoe Vale South
5733	Northey, Allan Nicholson	Minister ..	Clunes
8635	Norwood, Harold William Robert	Minister ..	Echuca
7805	Owen, John Evan Eric	Minister ..	253 Burke-road, Glen Iris
6478	Oxer, Frederick Ernest	Professor ..	25 Victoria-road, Camberwell
8329	Parker, Frank Cecil	Minister ..	East Brunswick
7820	Paton, James Kennedy	Minister ..	Seymour
8733	Patton, George Adam	Minister ..	Warburton
7917	Paul, Norman William	Minister ..	Scots' Church, Ballarat
6926	Pawson, James Andrew	Minister ..	Murtoa
8843	Pierce, Reginald Frank	Minister ..	Euroa
6346	Petherick, Ernest George	Minister ..	Brighton Beach
7567	Petrie, Charles Stewart	Minister ..	Stawell
9704	Pfeiffer, Norman	Minister ..	Eaglehawk
9595	Pollock, Alexander Lowell	Minister ..	North Carlton
5241	Porter, Archibald Jamieson	Minister ..	19 Thornbury-crescent, East Malvern
8899	Powell, Gordon George	Minister ..	24 Nott-street, Malvern
10016	Price, Jack H.	Minister ..	Tecoma
7785	Priestley, John	Minister ..	96 Park-street, Brunswick
6554	Pye, Andrew	Minister ..	Edithvale
8241	Rankin, Francis William	Minister ..	Tourello-avenue, Hawthorn
6663	Rankin, Ralph	Minister ..	Koroit
9039	Ray, Stanley William	Minister ..	Mildura
7147	Reid, Frank	Minister ..	North Geelong
8190	Renfrey, George Telfer	Minister ..	Clifton Hill
8146	Richardson, Graham Lindley	Minister ..	Traralgon
5880	Riddle, Thomas John	Minister ..	Glen Iris
7231	Roberts, Evan Jones	Minister ..	Essendon
9483	Roberts, Mervyn Woodcroft	Minister ..	Colac
9627	Roberts, Philip McKenzie	Minister ..	Laang
7560	Robertson, George Gordon	Minister ..	East Malvern
9628	Robertson, John Kirkland	Minister ..	3 Park-street, East Brunswick
9283	Robinson, Edward Benjamin	Minister ..	Ringwood
4547	Rolland, Francis William	Minister ..	8 Toorak-road, Camberwell
8796	Rolland, William Maitland	Minister ..	42 Hunter-road, Camberwell
5005	Ross, Archibald Hamilton	Minister ..	Drysdale
5368	Rowlands, William	Minister ..	12 Younger-street, Caulfield
9575	Russell, Raymond Charles	Minister ..	Mont Albert-road, Mont Albert
9562	Rye, Leslie Howard	Minister ..	Warracknabeal
8585	Sadler, Frank	Minister ..	Sunshine
6112	Sanderson, Arthur Clark	Minister ..	Toorak
5882	Saw, Henry James	Minister ..	Cressy
5664	Scarfe, James, George	Minister ..	Boronia
6331	Scott, John James Walter	Minister ..	Berwick
9557	Scott, Neil Robert	Minister ..	15 Currajong-road, Hawthorn
9294	Scott, Ronald Ian	Minister ..	Korumburra
8424	Scott, Thomas	Minister ..	Elmore
9736	Scrimgour, Robert Jas.	Minister ..	Heywood
9492	Searle, John William	Minister ..	117 Kooyong-road, Armadale
7957	Shannon, William Floyd	Minister ..	Rochester
6614	Shaw, John	Minister ..	Shelford
8467	Shields, Williams	Minister ..	Beaao

LIST OF REGISTERED CLERGY, 31ST DECEMBER, 1949—*continued.*

Number in Register.	Name.	Designation.	Residence.
PRESBYTERIAN CHURCH OF VICTORIA— <i>continued.</i>			
9837	Shrader, Keith Irvine	Minister	Birchip
5002	Shugg, Edward Henry McLean	Minister	40 Marshall-avenue, Kew
9741	Silke, Ian Henry Lewis	Minister	Hopetoun
6847	Simons, Raymond Payne	Minister	Williamstown
7315	Simpson, William	Minister	20 Studley-road, Ivanhoe
6999	Sims, John Frederick	Minister	Bunyip
4168	Smiley, John	Minister	13 Crisp-street, Hampton
7839	Smith, Arthur Frederick Henry	Minister	East Brighton
4387	Smith, David Wilson	Minister	Exchange-street, Ballarat
7683	Smith, John Edward	Minister	Bendigo
9356	Smith, Joseph Sydney	Minister	Swan Hill
9970	Souter, Frederick S. McN.	Minister	Portland
5944	Souter, John Alexander	Minister	Gisborne
7931	Spencer, Frederick	Minister	Flemington
7817	Sprigg, Douglas Egbert	Minister	Winchelsea
6603	Steele, William Huey	Moderator	51A Rochester-road, Balwyn
7092	Stephens, Robert William	Minister	300 Barkly-street, Footscray
6811	Stewart, Alexander Henry	Chaplain	389 North-road, Ormond
General			
4320	Stewart, Alexander James	Minister	Alto-avenue, Croydon
8800	Strickland, Frank Phillip	Minister	Blackburn
8919	Stuckey, James Maitland	Minister	Parkville
7786	Sutherland, William Francis	Minister	Noorat
5424	Swan, Ernest Ashby	Minister	7 Bramerton-road, Caulfield
8763	Swanton, Robert	Minister	304 Glenferrie, Hawthorn
7956	Symington, John	Minister	Balaclava
4931	Tamagno, Francis	Minister	82 Cole-street, Gardenvale
9613	Tanner, Jas Scott	Minister	Dimboola
8361	Taylor, George Stewart	Minister	Oakleigh
8693	Taylor, Henry Lawrence	Minister	Vermont
4104	Taylor, James Boyne	Minister	101 Summerhill-street, Glen Iris
9956	Thomas, Arthur	Minister	Yarram
7726	Thomas, Frederick James	Minister	Queenscliff
9494	Thomas, Polmear Jacobsen	Minister	Horsham
9355	Thompson, Stanley	Minister	Alma-street, West Footscray
8284	Thompson, Ian Murray	Minister	Fairfield
9721	Thomson, Alan Hunter	Minister	Wonthaggi
10129	Thomson, George Angus	Minister	Merbein
9337	Tremewan, Maurice Allison	Minister	156 Collins-street, Melbourne
7135	Turner, Percy William	Minister	Rokewood
8844	Usher, Harry Cedric	Minister	Yea
8488	Vertigan, Earle Llewellyn	Minister	Glenhuntly
7299	Vertigan, Sydney Alexander	Minister	Lorne
8169	Vickerman, Francis Charles	Minister	Coleraine
9117	Vollmer, Campbell	Minister	Castlemaine
9120	Wale, Edmund, Arthur	Minister	Charlton
5448	Wall, Arthur	Minister	177 Wattletree-road, Malvern
10137	Wallace, A. Roxburgh	Minister	Kerang
9605	Wallace, Wm. Henry David	Minister	Chaplain
7340	Waters, William Herrmann	Minister	36 Miller-grove, Kew
6724	Watkins, William Edward	Minister	Highbury-grove, Kew
8974	Watson, Alan Cameron	Minister	Toorak-road, Toorak
8018	Weber, Arthur Caster	Minister	Royal-grove, Armadale
4964	Welling, George Thomas	Minister	High-street, Mont Albert
8978	White, Robert Thom	Minister	Yallourn
4151	Williams, Benjamin	Minister	28 Oak-street, Hawthorn
8056	Williams, Christopher James	Minister	Corryong
8023	Williams, George, Ross	Minister	77 Bell-street, Coburg
6199	Williams, Robert John	Minister	Mia Mia
8094	Willis, William John	Minister	Allansford
7922	Wilson, Andrew Gordon	Minister	18 Kendall-street, Coburg
10136	Wilson-Smith, Wilson	Minister	Wodonga
8935	Wood, Gillam Albert	Minister	St. Andrews, Geelong
8304	Wood, Kenneth Canning	Minister	Collingwood
9717	Wood, Leonard George	Minister	Port Fairy
8871	Wright, John William	Minister	Nhill
7691	Yarnall, Frederick Edward	Minister	Caulfield
7877	Yarnold, Stephen Edwin	Minister	22 Suffolk-road, Surrey Hills
4135	Yeaman, Ferdinand Ernest	Minister	Shady-grove, Nunawading
8678	Young, James Marshal	Minister	Balwyn
6713	Youngson, William John	Minister	Mornington
4404	Yule, Alexander	Professor	Yarbat-avenue, Balwyn

LIST OF REGISTERED CLERGY, 31ST DECEMBER, 1949—continued.

Number in Register.	Name.	Designation.	Residence.
METHODIST CHURCH OF AUSTRALASIA.			
9427	Abbey, Howard Wilson	Minister	Benson-street, Surrey Hills
9154	Ackroyd, John William	Minister	Yallourn
8141	Adams, Samuel Arthur Gordon	Minister	Oakleigh
8559	Adamthwaite, John Cromwell	Minister	Woomelang
6575	Addinsall, Cecil Roy	Minister	Nhill
3850	Abliston, Arthur Edward	Minister	43 Auburn-road, Hawthorn
7407	Albon, Stanley	Minister	Swan Hill
8127	Alexander, William Joseph James	Minister	Stawell
7506	Allen, Donald James	Minister	Maffra
9421	Allinson, Angus Conrad	Minister	Daylesford
6583	Amos, Arthur Wesley	Minister	14 Bellett-street, Camberwell
9428	Angus, Frederick James	Minister	Bairnsdale
7264	Arnold, John Kissack	Minister	Castlemaine
7123	Arthur, George Thomas	Minister	109 Lyons-street, South Ballarat
10036	Asplin, Sackfield J. C.	Minister	Manangatang
6001	Ballarad, Arthur Vincent	Minister	Brighton Beach
9727	Bampton, Walter	Minister	39 Panton-street, Golden Square
8458	Barber, George, Calvert	Minister	Queen's College, Carlton
8440	Barber, Pearce, Beaton	Minister	Coburg
8836	Barnard, Lewis E.	Minister	Wedderburn
8128	Barren, Eric Wallace	Minister	Maryborough
7765	Bason, Noel Thomas	Minister	Healesville
9290	Batt, Victor Pringle	Minister	Mordialloc
7527	Beckett, William	Minister	13 Rowland-street, Mont Albert
7109	Benjamin, John James	Minister	Box Hill
7776	Bennett, Keith Alfred	Minister	Chaplain, R.A.A.F.
7265	Bennett, Mansley Mackay	Minister	Bay-road, Sandringham
7290	Bennetts, Raymond Henry	Minister	Warracknabeal
5753	Benson, Clarence Irving	Minister	Central Mission, Melbourne
5643	Betts, Walter Frederick	Minister	119 McKean-street, North Fitzroy
6036	Blainey, Samuel Clifford	Minister	64 St. David-street, Thornbury
9317	Blakenmore, John Joseph	Minister	Numurkah
6137	Bligh, Alfred	Minister	Geelong
7508	Blyth, Frank Ernest	Minister	Balaclava
9563	Bock, Henry Herman	Minister	Camperdown
7266	Bond, Edwin Boothroyd	Minister	Talbot
7626	Boquest, Arthur Clarence	Minister	Brim
3780	Bottoms, William John	Minister	17 Threadneedle-street, Balwyn
5390	Boundy, Francis Charles	Minister	Richmond
6018	Bradbury, Vivian Roy	Minister	Barkly-street, Footscray
5263	Brady, Horace Maziere Wilson	Minister	Korrumburra
8518	Bremner, Frederick Charles	Minister	Senior Chaplain, Heidelberg
7895	Brenton, William Charles Henry	Minister	Drysdale
5391	Bridgorn, William Charles	Minister	St. Kilda
8980	Briggs, Albert	Minister	Drouin
9728	Brimacombe, George Douglas	Minister	Shepparton
7996	Brown, Charles	Minister	Dunkeld
7763	Butcher, Thomas William	Minister	154 Rathmines-road, Hawthorn
7124	Butler, James Frederick	Minister	Albert Park
6825	Butler, William Corly	Minister	Sandringham
8835	Byatt, Francis F.	Minister	Williamstown
7756	Bye, Reginald Frank Pearn	Minister	South Yarra
5095	Campbell, Gordon Bennett	Minister	2 Jupiter-street, Caulfield
8831	Chadwick, Robert James	Minister	Terang
8838	Chambers, Harold	Minister	Camberwell-road, Camberwell
9140	Chancellor, Arthur Ernest	Minister	29 Westbrook-street, Kew
6144	Chaston, Cedric Charles William	Minister	Queenscliffe
6593	Churchward, Spencer	Minister	Chelsea
6704	Clarke, Henry	Minister	Burko-road, Malvern
7267	Clarnette, David	Minister	Northcote
8007	Clarnette, Henry	Minister	Bendigo
7890	Cleverdon, Frederick Toon	Minister	Armadale
8709	Collett, Geo. A.	Minister	Cohuna
10034	Collis, Thomas R.	Minister	Violet Town
5249	Coltman, Eustace Harold	Minister	Maldon
8147	Cook, Charles Osborne Leigh	Minister	Glen Iris
8708	Crisp, Bertrand	Minister	Spring Vale
9910	Crothers, Harold A.	Minister	St. Arnaud
6568	Dakers, Rex	Minister	Newtown, Geelong West
6967	Davey, Arthur Edmund	Minister	Glen Iris
7110	Daws, Charles Kingston	Minister	Chaplain General
5642	Dny, Alexander George	Minister	Wesley Church, Melbourne
5244	Delbridge, Frederick	Minister	86 Kilby-road, Kew
6826	Dennis, Harry Alfred	Minister	Port Melbourne
10064	Derbyshire, Norman Eric	Minister	Gordon-grove, East Preston
8426	Ditterich, Eric Keith	Minister	Epping-street, Malvern
5923	Duggleby, John Taylor	Minister	90 Richardson-street, North Essendon
4608	Dyson, George Fielding	Minister	716 Rathdown-street, Carlton
8132	Eldridge, Leonard Bailey	Minister	Wodonga
8766	Ellis, William	Minister	Port Fairy
3949	Featony, William Robert	Minister	Glen Iris
7286	Fielding, Francis Illenden	Minister	Horsham
6432	Fisher, George	Minister	Bethanga
7896	Fisher, Robert Henry	Minister	Wonthaggi
3932	Flentje, Frederick Hermann Timothy	Minister	Burwood
9432	Fletcher, George Henry	Minister	Wycheproof
10059	Fletcher, Mervin Hy.	Minister	Sea Lake

LIST OF REGISTERED CLERGY, 31ST DECEMBER, 1949—continued.

Number in Register.	Name.	Designation.	Residence.
METHODIST CHURCH OF AUSTRALASIA—continued.			
10040	Foley, Frederick A. A.	Minister	Boort
3746	Frederick, Henry Wendel	Minister	5 Fairview-avenue, Burwood
7629	Freeman, Harold Benjamin	Minister	Belmont, Geelong
5872	Freeman, John Thomas	Minister	Frankston
8490	Gallacher, Charles	Minister	East Malvern
7757	Geddes, Arthur	Minister	Burnbank-street, Ballarat
8550	Gibbs, Douglas Charles	Minister	9 Dehili-street, Mitcham
3833	Godbehear, George Rowse	Minister	Burwood
9730	Goff, Joseph Thomas John	Minister	Eltham
8981	Gordon, Harold P.	Minister	Dimboola
7891	Graham, Norman George	Minister	Manifold Heights, Geelong West
10035	Gray, George Edward	Minister	Arnold-street, Bendigo
9142	Green, Robert Hugh	Minister	Moonee Ponds
6573	Greenwood, Newton Roach	Minister	47 Raleigh-street, Essendon South
9015	Griffiths, Henry	Minister	Newport
4609	Guard, William Herbert	Minister	Hawthorn
8393	Guy, Alfred William	Minister	26 Olive-street, East Malvern
9564	Hales, William Alfred	Minister	Heidelberg
7882	Harris, George Clemens	Minister	Dandenong
5515	Harris, Herbert Robertson	Minister	West Preston
7512	Harris, Oliver	Minister	Rochester
8421	Hartley, Francis John	Minister	Rosstown-road, Carnegie
5251	Hartshorn, Leonard Ebenezer	Minister	Ringwood
8985	Harvey, Herbert W.	Minister	Heywood
7900	Harvey, Thomas Bernard	Minister	Myrtleford
5756	Hay, Alec	Minister	77 Parkhill-road, Kew
5516	Haynes, Frederic	Minister	Moorabbin
9282	Heath, Ronald Francis	Minister	Womboota, New South Wales
7513	Hicks, Victor Raymond	Minister	Kerang
6439	Higgs, Norman Gilbert	Minister	79 Buchanan-avenue, North Balwyn
6292	Hinson, Edmund Arthur	Minister	Morwell
10048	Hoatson, Russell George	Minister	Raywood
7415	Hobbs, Wesley	Minister	11 Elphin-grove, Hawthorn
8770	Hooper, Richard Eldred	Minister	Moonee Ponds
6580	Horn, Albert Otto	Minister	28 Latrobe-street, Mentone
8011	Hughes, Henry Warburton	Minister	Mooroopna
9291	Hull, John Eaglesfield	Minister	Eaglehawk
9596	Hunkin, William John	Minister	Warragul
9293	Hunt, Robert Henry	Minister	Flemington
9145	Hunter, Reginald A.	Minister	Rushworth
5087	Indian, Thomas Hugh	Minister	Coburg
6447	Ivory, Frederick Charles	Minister	Clunes
10049	Jackson, Robert	Minister	Sale
8747	Jago, Robert Hartley	Minister	Jeparit
7999	James, Philip Harold	Minister	Woomelang
8830	Jenkin, Francis Henry	Minister	Malvern
6822	Jennings, William Ernest	Minister	Preston
6694	Jewell, Arthur Gordon	Minister	60 Blyth-street, Brunswick
8772	Johnson, William J.	Minister	16 Pleasant-street, Pascoe Vale
3796	Judkins, George Alfred	Minister	10 Bruce-street, Box Hill
6279	Keck, Harry Alfred George	Minister	Box Hill
8009	Keen, Osborne	Minister	69 Newry-street, Prahran
6845	Kemp, Arthur Norman	Minister	Yarra-street, Geelong
9902	Kemp, William R.	Minister	Kyabram
9436	Kennedy, William Duncan	Minister	Wunghnu
4972	Kent, Harry Clemens	Minister	10 Davis-street, Elsternwick
8142	Kettle, Howard Henry	Minister	Ararat
9733	King, Charles Josiah	Minister	Underbool
8516	Knuckey, Henry Mervyn	Minister	Donald
9565	Lade, Norman	Minister	Ballarat
8543	Lade, William Richmond	Minister	Seymour
7888	Laity, Horace William Henry	Minister	Lilydale
4721	Lancaster, William Ellis	Minister	Box Hill
7426	Langdon, James Henry	Minister	Allansford
7275	Lapthorne, Walter Thompson	Minister	Charlton
9174	Lavender, John Corben	Minister	Chaplain, R.A.A.F.
7307	Leach, Joseph	Minister	Avoca
10047	Lechte, Ernest G.	Minister	47 Sutton-street, North Balwyn
7632	Leembruggen, William Henry de Boer	Minister	56 Mathoura-road, Toorak
8135	LeLean, Arthur Drew	Minister	Mt. Pleasant, Ballarat
8003	Lewis, David	Minister	288 Little Collins-street, C.1
8548	Lewis, Frank George	Minister	Cheltenham
9731	Little, Robert William	Minister	Shepparton
7301	Long, John Frederick	Minister	Balwyn
7998	Longthorn, John Bernard	Minister	Katamatite
5524	Lovell, Leon Lawson	Minister	Trafalgar
8136	Lyons, Arthur Ashley	Minister	Warrnambool
6440	McConachy, Reginald Samuel	Minister	Benalla
7115	McCraw, Hector Thomas	Minister	Yarram
7536	McGregor, Athol Douglas	Minister	South Preston
10043	McIntosh, Lawrence D.	Minister	Punt-road, South Yarra
9566	Mackay, Harry George	Minister	Mildura
8401	McKenzie, Kenneth	Minister	Belgrave
9602	McRae, Colin Farquhar	Minister	Ballarat
3885	Mallalieu, Paul Edwin	Minister	Moonee Ponds
6287	Mann, Ira James	Minister	Chelsea
10046	Manning, Cornelius W. J.	Minister	800 Sydney-road, Coburg
9782	Mathieson, James Keith Wm.	Minister	Croydon, New South Wales
8402	Mathewson, Allan	Minister	Euroa

LIST OF REGISTERED CLERGY, 31ST DECEMBER, 1949—continued.

Number in Register.	Name.	Designation.	Residence.
METHODIST CHURCH OF AUSTRALASIA—continued.			
8553	Mathias, Rex Collins	Minister .. .	Ashburton
6438	Mellor, James	Minister .. .	15 Brougham-street, North Melbourne
7643	Michell, Horace Alfred	Minister .. .	Echuca
6975	Monkhouse, David	Minister .. .	Kauwa
9561	Moore, Gilbert Llewellyn	Minister .. .	Goroke
6017	Morris, Richard Samuel	Minister .. .	Sandringham
7781	Muller, Otto Gustav	Minister .. .	Nathalia
6441	Murray, Charles Preston	Minister .. .	Natimuk
4033	Neilson, George Robert	Minister .. .	Jenkins-street, Northcote
8567	Newnham, Albert Rutherford	Minister .. .	Buningong
7775	Newton, Archibald Egbert	Minister .. .	Heidelberg
8283	Nunn, Frank Leslie	Minister .. .	Blackburn
8264	Nye, Eric Hans Orton	Minister .. .	81 Oxley-road, Auburn
5752	Nye, Peter Clifton	Minister .. .	Wycheproof
6976	Oldfield, Thomas Cornelius	Minister .. .	46 Broomfield-avenue, Alphington
6735	Ormandy, William John	Minister .. .	Daly-street, West Brunswick
9572	Orton, Joseph Russell	Minister .. .	Traralgon
7281	Osmond, George Alfred	Minister .. .	Wangaratta
8840	Owen, Ronald A.	Minister .. .	Beulah
8276	Packett, Douglas Alexander Cruttenden .. .	Minister .. .	Dromana
8398	Pallo, Ernest Charles	Minister .. .	Balwyn-road, Canterbury
5910	Parker, John Frederick William	Minister .. .	Kathmines-road, Fairfield
6705	Parnaby, Percy Oliver	Minister .. .	Ballarat East
8854	Pearce, Norman C.	Minister .. .	Chrystobel-street, Glenferrie
7755	Federick, Alec Wheaton	Minister .. .	42 Chrystobel-street, Glenferrie
8385	Penna, Joseph Arthur	Minister .. .	Carlton
9725	Perkins, Harvey Leslie	Minister .. .	Queen's College, Carlton
6997	Perkins, Leslie Ira	Minister .. .	84 Outer-crescent, Brighton
9568	Peters, Donald Edgar	Minister .. .	Wycheproof
9732	Phillips, Cecil Raymond	Minister .. .	Carnegie
6126	Phillips, Hubert Palmer	Minister .. .	288 Little Collins-street, Melbourne
9762	Phillips, Lloyd G.	Minister .. .	Casterton
7421	Philip, Reginald John	Minister .. .	Colac
9138	Pither, Keith M.	Minister .. .	Red Cliffs
8267	Plumb, Frederick Arthur	Minister .. .	Pyramid Hill
7425	Plummer, Charles Herbert	Minister .. .	Werribee
5868	Poxon, Cecil Herbert	Minister .. .	Skipton-street, Ballarat
9289	Poyser, Leslie Gordon	Minister .. .	Kilmour
9569	Quick, Aubrey Alfred	Minister .. .	Moe
7780	Rea, Stuart Gordon	Minister .. .	17 Ridgeway-avenue, Kew
10050	Richards, Clifford Bruce	Minister .. .	60 Hawthorn-road, East Brighton
8561	Risstrom, Douglas William	Minister .. .	Portland
9139	Roberts, Vivian T. L.	Minister .. .	Croxton
6709	Rogot, Henry Charles Hunter	Minister .. .	Burwood
6963	Rouch, Harold Joseph	Minister .. .	Brighton
6805	Rowse, John Williams	Minister .. .	8 Kyarra-road, Gardiner
8707	Rule, Colin A.	Minister .. .	Campbell's Creek
5780	Saunders, Lewis Stephen Shears	Minister .. .	Centre-road, Bentleigh
8837	Saynor, Eric V.	Minister .. .	Monbulk
4395	Scurr, William Henry	Minister .. .	East St. Kilda
4116	Seamer, William	Minister .. .	Brewer-street, Bentleigh
5874	Secomb, Herbert Garfield	Minister .. .	119 Canterbury-road, Surrey Hills
9570	Secomb, Howard Warren	Minister .. .	Canterbury
6838	Semmens, Bernard Laycross	Minister .. .	52 Highfield-road, Canterbury
4975	Shackell, Ernest Ebborn	Minister .. .	Carnegie
7515	Shepherd, George Henry	Minister .. .	Brunswick
6706	Sherlock, Albert Leslie	Minister .. .	Ballarat
7760	Shinkfield, George Samuel	Minister .. .	North Fitzroy
8564	Small, Alfred Hugh	Minister .. .	Sunshine
9571	Smith, Leslie David	Minister .. .	375 Ryrie-street, Geelong
7516	Smith, Norman George Dickenson	Minister .. .	Burwood
9426	Smith, Raymond John M.	Minister .. .	Devenish
9724	Stanford, Wilfred Walter	Minister .. .	Nyah West
6433	Stanley, Thomas Feather	Minister .. .	57 Daley-street, West Brunswick
7300	Strickland, John William	Minister .. .	Highbury-grove, Kew
9729	Stroud, Cyril Blundell	Minister .. .	Kyneton
6835	Sunderland, Harry	Minister .. .	Quarry Hill, Bendigo
7446	Thomas, John Rees	Minister .. .	Yarraville
4397	Thomas, William Courtenay	Minister .. .	Withers-street, East Ivanhoe
7539	Thompson, Leslie Muir	Minister .. .	31 Queen-street, Melbourne
4986	Toi, Bertie Robert	Minister .. .	85 Victoria-street, Footscray
7645	Turner, Charles William	Minister .. .	Aberfeldie
5399	Tyson, John	Minister .. .	Mornington
8416	Ugalde, Lewis Trelawney	Minister .. .	Noradjuha
8170	U'Ren, Robert William Wills	Minister .. .	187 Barkly-street, Ballarat
7779	Vertigan, Geoffrey Ernest Hamilton	Minister .. .	Geelong West
8279	Vincer, Archibald	Minister .. .	Hampton
7892	Wade, John Daniel	Minister .. .	Pimpinio
8405	Walklate, Cyril John	Minister .. .	27 Sandham-street, Elsternwick
6154	Walsh, Harold Edwin	Minister .. .	Moorabool-road, South Geelong
10055	Ward, Robert Wm.	Minister .. .	93 Lily-street, Bendigo
7520	Watsford, Albury Percy	Minister .. .	East Malvern
5662	Webb, John Joseph	Minister .. .	Belgrave
8832	Wilcock, Samuel Christopher	Minister .. .	Jeparit
4031	Williams, Bertrand Edgar	Minister .. .	East Malvern
7646	Williams, Herbert John	Minister .. .	111 High-street, Glen Iris
3903	Williams, Horton Henry	Minister .. .	62 Wattle Valley-road, Canterbury
6291	Williams, John	Minister .. .	13 Lorne-grove, Camberwell

LIST OF REGISTERED CLERGY, 31ST DECEMBER, 1949—*continued.*

Number in Register.	Name.	Designation.	Residence.
<i>METHODIST CHURCH OF AUSTRALASIA—continued.</i>			
8275	Williams, Raymond Samuel	Minister	192 Cecil-street, South Melbourne
5508	Williams, William James	Minister	Malvern
7538	Wilson, Gustaff William Johnston	Minister	Newport
8833	Wong, Deryck Ralph	Minister	Hopetoun
8631	Wood, Alfred Harold	Minister	Barker's-road, Kew
7121	Woodford, Thomas Philip Hubert	Minister	50 Toorak-road, Camberwell
8834	Woolhouse, Frank Reginald	Minister	232 Albert-road, South Melbourne
8878	Wright, John Clifford	Minister	56 Mathoura-road, Toorak

LIST OF REGISTERED CLERGY, 31ST DECEMBER, 1949—continued.

Number in Register.	Name.	Designation.	Residence.
BAPTIST UNION OF VICTORIA.			
9392	Amos, Norman John	Minister	Castlemaine
9662	Ashley, Henry Albert Edgar	Pastor	Wonthaggi
7258	Baird, William Walker	Minister	26 Arundel-crescent, Surrey Hills
6645	Baker, Allan Gladstone	Pastor	1 Otway-street, Ballarat East
8908	Baker, James Henry	Minister	16 Edward-street, Shepparton
7621	Bean, Alfred William	Minister	14 Rochester-street, Canterbury
8615	Blackburn, Geoffrey Herbert	Minister	16 Clyde-street, Surrey Hills
7747	Blackwell, Albert Edward	Minister	36 Zetland-street, Mont Albert
8119	Bligh, Wesley John	Minister	23 Adelaide-street, Armadale
8815	Bond, Leonard Gordon	Minister	Denmark Hill-road, Upper Hawthorn
5530	Boreham, Frank William	Minister	57 Fellowes-street, Kew
8588	Brice, Henry George	Minister	23 Myrtle-street, Hampton
7205	Burleigh, Eric Charles	Minister	26 Kasouka-road, Camberwell
9825	Butterss, John Harold	Pastor	Naringal P.O., via Allansford
7171	Carne, Edgar Herbert	Minister	21 Ross-street, Port Melbourne
8617	Carr, Gordon Walmsley	Minister	Parring-road, Balwyn
7455	Clarke, John Adam	Minister	Belgrave
6066	Collard, William Colin	Minister	16 Lillimur-road, Ormond
7062	Coventry, Albert Gordon	Minister	Barraport
7855	Crago, Thomas Howard	Minister	14 Wellington-street, Coburg
7709	Curtis, John	Minister	30 Clarendon-street, West Coburg
8946	Dawson, Alan Paton	Minister	61 Glass-street, Essendon
9632	Dorman, Sydney Ernest	Minister	Regent
9554	Duff-Forbes, Lawrence Walter Gordon	Minister	Elsternwick
6846	Edmonds, John Richard	Minister	Black Rock
9470	English, John Joseph	Minister	210 Liebig-street, Warrnambool
5722	Eunson, Thomas Archibald	Minister	Gold-street, Collingwood
7152	Evans, Eric	Minister	6 Beech-street, Camberwell
8069	Evans, Phillip Eyre	Minister	Munro-street, East Kew
7252	Farrer, Raymond Thomas John	Minister	6 Bruce-street, Box Hill
8351	Fleming, Thomas James	Minister	Ascot Vale
5033	Coble, Stanley Ballintyne	Minister	55 Spencer-street, Thornbury
9326	Gomm, Leslie Jotham	Minister	2 Tennyson-street, Kew
8918	Grigg, Albert James	Principal	Baptist College, Errol-street, North Melbourne
8352	Hadden, William Sweeney	Minister	Wills-street, Bendigo
7352	Harris, Edward Chapman	Minister	Sargood-street, Altona
6504	Helmore, Robert Algernon	Minister	7 Canterbury-road, Camberwell
9073	Hinton, Theodore Greville	Minister	295 Bell-street, West Coburg
7483	Holland, Alfred Robert	Minister	249 Glen Eira-road, Caulfield
7353	Holloway, William Herbert	Minister	Ringwood
9633	Hopkins, John Farr	Minister	Canterbury
9553	Horn, Robert	Minister	Thornbury
7200	Horsfall, Harry Albert	Minister	30 Ward-street, Ashburton
7707	Innocent, Albert John	Minister	20 Powell-street, Geelong East
7654	Jamieson, Charles Alexander	Minister	Manifold Heights, Geelong
6549	Jarvis, Walter	Minister	53 Sharp-street, Chilwell, Geelong
8070	Jeffs, Horace Harrie	Minister	35 Park-road, Glen Iris
7948	Keyte, Thomas Frederick	Minister	Bay-street, Brighton
8071	Knight, Edgar Orbost	Minister	Portland
8495	Langton, Joseph George	Minister	1 Dawson-street, Ballarat
8440	Leeder, Frederick Augustus	Minister	57 Cooper-street, West Preston
7234	Leith, Robert	Minister	Yarraville
7592	Lewis, Donald Charles	Minister	Belmont, Geelong
9173	Lewis, Joseph Arthur	Minister	77 Brunnel-street, East Malvern
8146	Lowson, William	Minister	Abroad
9656	McAdam, George Miller	Minister	East Malvern
5207	McCue, John Thomas Robertson	Minister	66 Balwyn-road, Canterbury
9002	McKie, Graham Donald	Minister	Balwyn
8353	McKittrick, Samuel	Minister	515 Guinea-street, Albury
9382	McMillan, Robert Ettershank	Minister
7235	Manning, John George	Minister	486 Albert-street, East Melbourne
6224	Marsh, Frank Arnold	Minister	The Ridge, Canterbury
9626	Marshall, Alfred Henry	Pastor	Baptist Manse, Onley
9309	Morgans, Gwilym James	Minister	c/o United Protestant Action, 231 Elizabeth-street, Melbourne
8578	Morley, John	Minister	40 Warburton-road, Canterbury
6896	Newham, Joseph Edgar	Minister	138 Princess-street, Kew
9475	Paice, James Victor	Minister	Hopetoun
6498	Paul, Thomas Albert Victor	Minister	Williamstown
8658	Phillip, Ernest Ray	Minister	The Manse, Kerang
8857	Phillips, Wilfred George Herbert	Minister	Ramsden-street, Clifton Hill
8647	Pope, William George	Minister	3 Hilda-crescent, Hawthorn
6693	Potter, Arthur Henry	Minister	17 Beach-parade, Drumcondra, Geelong
8973	Potter, Frank	Minister	Stawell
8816	Potter, Sydney Markham	Minister	181 Riversdale-road, Camberwell
8618	Rawlings, Leslie Norman Walter	Minister	Maldon
4057	Rees, George Percival	Minister	11 Court-street, Box Hill
8846	Reeves, Thomas William Frank	Minister	Beechworth
9457	Reynolds, Richard John	Pastor	Daylesford
5426	Robertson, Robert	Minister	Ormond-road, Ormond
7495	Rogers, Basil Thomas Austen	Minister	84 Harp-road, East Kew
6223	Salter, William John	Minister	675 Bell-street, West Preston
5723	Scholefield, Henry George	Minister	36 Watt-street, Box Hill
5557	Shaw, Alfred Duncan	Minister	71 Edithvale-road, Edithvale
7555	Smith, Hubert Stanley	Minister	"Totnes," Olinda
9327	Smith, Keith Alexander	Minister	59 Hobart-road, Murrumbidgee
9473	Steel, Robert	Minister	In Tasmania
9168	Steer, Philip James	Pastor	Rainbow

LIST OF REGISTERED CLERGY, 31st DECEMBER, 1949—*continued.*

Number in Register.	Name.	Designation.	Residence.
<i>BAPTIST UNION OF VICTORIA—continued.</i>			
9609	Stelling, William	Pastor	Brim
9814	Taylor, Raymond John	Minister	606 Urquhart-street, Ballarat
8777	Thomson, Matthew Alan	Minister	13 Crawley-street, Regent
8073	Thorne, Edwin Richard	Minister	Surrey Hills
6456	Trinham, Thomas Perry	Minister	37 Benalla-street, Benalla
9209	Tudball-Smith, Mackwood Charles	Minister	Newport
9968	Watkins, Graham	Minister	Collins-street, Hamilton
8779	Watson, Ernest Lodge	Minister	26 Walter-street, Footscray
9834	Watson, Ernest Hy. De Hahn	Minister	1 Aberdeen-street, Geelong
7593	Watson, Samuel	Minister	Toorak
8776	Westerman, Stanley Thomas	Minister	Koondrook
8487	Whitbourn, Lindsay James	Minister	Warracknabeal
5631	Whitchurch, Solomon	Minister	15 Oban-street, Hawksburn
9262	Williams, George Ernest	Pastor	Moe
5373	Wright, Henry Forbes	Minister	4 Bamfield-street, Sandringham

LIST OF REGISTERED CLERGY, 31ST DECEMBER, 1949—continued.

Number in Register.	Name.	Designation.	Residence.
CHURCHES OF CHRIST.			
9489	Alcorn, Franklin Bruce	Minister	6 Hill-street, Sunshine, W.20
7818	Allan, James Ernest	Minister	2 Margarita-street, Hampton, S.7
9264	Anderson, Robert John	Minister	1 Laurel Bank-parade, Newtown, Geelong
7390	Atkin, William Tucksford	Evangelist	1a Campbell-grove, Northcote, N.16
9995	Baker, Albert Oliver Strawson	Preacher	25 Rowan-street, Wangaratta
6401	Baker, Sydney Russell	Evangelist	317 Toorak-road, Burwood, E.13
7448	Banks, Russel Albert	Evangelist	17 Doveton-street, Castlemaine
9673	Barnett, Geoffrey William	Evangelist	262 Amess-street, North Carlton, N.4
9110	Bennett, Alfred Gordon	Minister	9 Merribell-avenue, Coburg, N.13
7172	Black, George Thomas	Minister	18 White-street, Glen Iris, S.E.6
9484	Bolduan, Reginald Charles	Minister	29 Great Valley-road, Glen Iris, S.E.6
9394	Bond, John Kenneth	Pastor	Virginia-street, Springvale
8041	Buckingham, Frederick Ernest	Evangelist	10 Wanda-road, Caulfield, S.E.7
9674	Burna, Robert Edward	Minister	29 Beatty-street, West Preston, N.19
9996	Burt, Colin George	Minister	27 Waverly-street, Essendon, W.5
9884	Cameron, Alexander	Pastor	835 Whitehorse-road, Mitcham
9832	Candy, Albert William Claude	Pastor	60 Beveridge-street, Swan Hill
9716	Chivell, Ivor John	Minister	131 Deakin-avenue, Mildura
7865	Clark, Henry Alfred George	Chaplain	35 Victoria-street, Box Hill, E.11
6763	Clay, William Henry	Evangelist	40 Utupna-road, Ormond, S.E.9
8390	Cole, Charles	Minister	40 Gerald-street, Murrumbidgee, S.E.9
6198	Combridge, Bertie James	Evangelist	Commercial-street, Kaniva
9765	Coventry, Harold Roy	Minister	1 Darling-road, East Malvern, S.E.5
9840	Cunningham, John Claude	Preacher	1 Chesterville-road, Cheltenham, S.22
8761	Dudley, Lionel Ernest	Evangelist	McClare-road, Vermont
8185	Earle, George Howard	Evangelist	5 Barry-street, Kew, E.4
6874	Fitzgerald, Thomas Arthur	Evangelist	219 Arthur-street, Fairfield, N.20
6190	Gale, William	Evangelist	37 Kireep-road, Balwyn, E.8
8624	Graham, William Gordon	Minister	29 Bastings-street, Northcote, N.16
9697	Grainger, George Alfred	Minister	41 John-street, Williamstown, W.16
8250	Haggar, Thomas	Evangelist	32 Riverside-avenue, North Balwyn, E.9
6029	Hargreaves, Herbert	Evangelist	31 Frederick-street, Ormond, S.E.9
8892	Hibburt, William Robert	Minister	24 Rennie-street, Coburg, N.13
6993	Hunt, Harold Alfred	Evangelist	58 Bent-street, McKinnon, S.E.14
10027	Hunting, Francis Cyril	Minister	27 Victoria-avenue, Ballarat
9245	Hurren, Arthur Ernest	Minister	56 Raleigh-street, Footscray, W.11
7336	Jackel, Cecil William	Evangelist	68 Sutton-road, Warragul
9878	Jones, Keith Allan	Minister	College of the Bible, Elm-road, Glen Iris, S.E.6
5794	Lang, Clarence Leslie	Evangelist	55 Guava-street, Red Cliffs
9962	Langford, Frank	Minister	Sharp-street, Yarrowonga
9953	Lewis, James William	Minister	69 Edward-street, Shepparton
8277	Lloyd, Arthur Rossiter	Evangelist	29 Mayfield-street, Coburg, N.13
9842	Long, Harold Matthew	Preacher	93 York-street, Ballarat
9763	Mollhager, Ernest Frederick Godfrey	Minister	2 Brewster-street, Essendon, W.5
9876	MacKenzie, Alexander John	Minister	Flat 2, 11 Skipton-street, Ballarat
8715	Macnaughtan, Keith Alexander Michael	Evangelist	Gheringhap-street, Geelong
7907	Martin, John Kenneth	Evangelist	Allan's Walk, Bendigo
8186	Mathieson, George McArthur	Evangelist	45 Baillie-street, Horsham
6741	Methven, James	Evangelist	"Radnor," Grant-street, Sebastopol, Ballarat
9474	Methven, James Oliver	Minister	Chaplain, Benevolent Asylum, Castlemaine
9555	Miles, Ernest John	Evangelist	34 Davies-street, North Brunswick, N.10
9297	Morgan, Follott Thornton	Minister	23 Beach-street, Frankston
9531	Mudford, Archie Clement	Minister	"The Bungalow," Fisher-street, Stawell
9429	Nankivell, Wilfred Frank	Minister	5a Judd-street, Camberwell, E.6
7522	Neighbour, Stanley	Evangelist	184 Surrey-road, Blackburn
9263	Nicholls, Douglas Ralph	Minister	c/o Northcote Cricket Ground, Westgarth-street, Northcote, N.16
9496	Patterson, Kenneth John	Minister	109 Willesden-road, Oakleigh, S.E.12
9700	Pigdon, Arthur Rice	Minister	7 Wattle-tree-road, Drumcondra, Geelong
5564	Pittman, Randall Thomas	Evangelist	36 Willis-street, Hampton, S.7
6463	Pratt, Arthur Herbert	Evangelist	"Kenarthem," Railway-parade, Mt. Evelyn
9532	Quayle, Victor	Minister	Reef-street, Wedderburn
8310	Randall, Ernest Henry	Evangelist	65 Reed-street, Albert Park, S.C.6
7451	Robinson, Cecil John	Evangelist	Burr-street, Bendigo
8599	Saunders, William Walter	Evangelist	28 Pyne-street, Caulfield, S.E.8
6444	Searle, John Edward	Evangelist	9 Bolden-street, Heidelberg, N.22
10006	Shaw, Joseph Godfrey	Minister	84 St. David-street, Thornbury, N.17
10142	Smith, Colvil Lancelot	Minister	Boronia-road, Boronia
9020	Stafford, Vivian Charles	Minister	10 Warland-road, Moorabbin, S.20
6954	Stephenson, Arthur William Smith	Evangelist	38 Auburn-parade, Hawthorn East, E.3
7220	Stewart, Daniel David	Evangelist	23 Mills-street, Burwood, E.13
9442	Stirling, Daniel Robert	Minister	90 Cox-street, Hamilton
7740	Swain, Harry	Minister	181 Gilbert-road, Preston, N.18
8538	Taylor, Clifford George	Evangelist	86 Halifax-street, Brighton, S.5
10145	Thickins, Percy Richard	Minister	34 Fyfe-street, Thornbury, N.17
9805	Thomas, Donald Albert Verco	Minister	9 Cherry-road, Balwyn, E.8
9435	Treaise, Lawrence Angove	Minister	19 Inglisby-road, Mont Albert, E.10
8255	Turner, Matthew John	Evangelist	110 Bennett-street, North Fitzroy, N.7
9819	Vautier, Robert William	Evangelist	67a Glenlyon-road, Brunswick, N.10
8048	Wakefield, William Hartwell George	Evangelist	32 Craig-avenue, Warracknabeal
9810	Wakeley, Daniel	Minister	246 Highfield-road, Burwood, E.13
9127	Weir, Thomas Victor	Minister	12 Jackman-avenue, Warrnambool
9529	Westwood, Thomas George Hedley	Minister	80 Langhorne-street, Dandenong
9860	Whitmore, Percy Robert	Evangelist	c/o H. J. Passmore, Box 119, Merbein
6923	Wigney, William Arthur	Evangelist	7 Churchill-street, Kew, E.4
8506	Williams, Edwin Lyall	Minister	College of the Bible, Elm-road, Glen Iris, S.E.6

LIST OF REGISTERED CLERGY, 31st DECEMBER, 1949—*continued.*

Number in Register.	Name.	Designation.	Residence.
<i>CHURCHES OF CHRIST—continued.</i>			
9658	Williams, Murray David	Minister ..	Levika-street, Seaford
9528	Wiltshire, Jabez	Pastor ..	4B Montgomery-street, Mordialloc, S.12
6747	Withers, Arthur Blackmore	Evangelist ..	92 May-street, West Preston, N.18
9070	Wright, Charles Henry James	Minister ..	58 William-street, Essendon, W.5
9536	Youens, Frederick Arthur	Minister ..	15 Robinson-street, Dandenong
8095	Young, Charles	Evangelist ..	28 Edinburgh-street, Box Hill, E.11

LIST OF REGISTERED CLERGY, 31st DECEMBER, 1949—continued.

Number in Register.	Name.	Designation.	Residence.
CONGREGATIONAL UNION OF VICTORIA.			
9087	Albiston, Ronald Walter	Minister	Yarrowonga
6867	Albiston, Walter	Minister	Bulleen-road, Balwyn
7962	Anderson, Norman St. Clair	Minister	9 Hotham-street, Oakleigh
9533	Blackwell, Kenneth Gilbert	Minister	505A Mair-street, Ballarat
9446	Blake, Alfred Clarence	Minister	16 a Beckett-street, Prahran
9447	Bowden, Robert Allen	Minister	Gheringhap-street, Geelong
7191	Brown, Jeffrey	Minister	9 Hamilton-street, East Kew
9610	Carty, Terence Douglas	Minister	Bruthen
9647	Chapman, Sidney Percival	Minister	Beechworth
7071	Collishaw, Frederick	Minister	Black Rock
8448	Collom, William Morley	Pastor	Scott-grove, East Malvern
8807	Cook, Ralph Arnold	Minister	Hopetoun-avenue, Canterbury
7452	Ewan, Kenneth Montgomery Forbes	Minister	2A Rowe-street, Rushall
8006	Ferris, William Frederick	Minister	5 Brewster-road, Hampton
7489	Forward, Charles Gilbert	Minister	Croydon
6084	Forward, Frank Arthur	Minister	1 Curral-road, Elsternwick
9816	Forward, Leonard Giles	Minister	Lyttleton-street, Castlemaine
8152	Fraser, Thomas Wales Westgarth	Minister	Olinda-street, Bendigo
5027	Gunson, George Henry	Minister	Church-street, Brighton
7072	Hochkins, Charles Ashley	Minister	Gordon-street, Deepdene
8096	Holt, John Cyril	Minister	Stawell
9590	Hopkins, Ivor Wyndham	Minister	12 Adelaide-street, Murrumbena
7138	Hunter, Percy Henry	Minister	Kyneton
9150	Leech, William Sibbs	Pastor	81 Darebin-street, Northcote
8379	Merry, Isabelle Elizabeth	Minister	Ringwood
6472	Mills, Sidney John	Minister	Dandenong-road, Oakleigh
6885	Moorhouse, Henry Miles	Minister	Stevedore-street, Williamstown
9458	Moran, Kevin Vincent	Minister	253 Tyler-street, East Preston
6357	Morsley, Walter Henry	Minister	East Geelong
7329	Northey, James Douglas	Minister	Webster-street, Burwood
6352	Norwood, William Stevenson	Minister	Well's-road, Carrum
9186	Parkin, Leslie C.	Minister	10 Auburn-grove, Auburn
9486	Pearse, Leonard Silas	Minister	Aird-street, Camberwell
5704	Rayner, William Henry	Minister	Rose-street, Gardenvale
9090	Reeves, Duncan E.	Minister	Bloomfield-road, Ascot Vale
10086	Riley, Douglas Leslie	Minister	32 Walpole-street, Kew
5028	Roberts, Griffith	Minister	20 Manica-street, West Brunswick
9487	Robinson, Noel	Minister	Leitchville
9308	Scandrett, George M.	Minister	Connelly-avenue, East Coburg
8577	Sharp, Leslie Harold	Pastor	Chelsea
9214	Sindrey, James Arthur	Minister	Tennyson-street, Seddon
8282	Somerville, Alfred James	Minister	Boundary-road, North Melbourne
8613	Stephenson, Arthur Robert	Minister	Stanley-street, Black Rock
8758	Swan, Ernest Francis Wm.	Minister	Essex-road, Surrey Hills
9657	Tapp, Cecil Edward	Minister	5 Alfred-street, Burwood
6071	Trewella, James Henry	Minister	6 Grant-street, East Malvern
9211	Watts, Charles Cameron	Minister	Warrnambool
6337	Wigley, Richard Sylvester	Minister	Barrett-street, Albert Park

LIST OF REGISTERED CLERGY, 31ST DECEMBER, 1949—continued.

Number in Register.	Name.	Designation.	Residence.
SALVATION ARMY.*			
8969	Adams, Edward E.	Sen.-Cap.	4 Margaret-street, Canterbury
9512	Blake, John Wreford	Maj.	High-street, Bendigo
8676	Blakey, Norman	Maj.	16 Park-street, Geelong
10132	Bouse, T. McIntyre	Sen.-Cap.	1 Dickson-street, Wonthaggi
6891	Bray, James Henry	Lt.-Col.	12 Campbell-street, Balwyn
9784	Briggs, Ernest John	Adjnt.	71 Spring-street, Port Melbourne
9152	Briggs, Thomas	Maj.	69 Bourke-street, Melbourne
7791	Burhop, Henry	Lt.-Col.	27 Moorhead-street, Camberwell
10194	Callender, Ernest	Sen.-Cap.	148 Kerr-street, South Fitzroy
9088	Carver, Charles	Sen.-Maj.	11 Rawson-street, Sunshine
9259	Clark, George Spencer	Maj.	78 Ryan-street, Footscray
9811	Clinch, Percy	Sen.-Maj.	119 Station-street, Fairfield
9477	Coward, Edward Charles	Maj.	27 Wellington-parade, Williamstown
7317	Daddow, Henry Bawden	Sen.-Maj.	54 Panton-street, Golden Square
8478	Dale, Percival	Lt.-Col.	19 Pender-street, Thornbury
9162	Davis, Stephen	Lt.-Col.	32 Collins-street, Thornbury
8994	Denny, Frederick J.	Maj.	37 Corangamite-street, Colac
9212	Dent, John W. S. L.	Lt.-Col.	38 Normanby-avenue, Thornbury
9799	Drow, Richard Rawie	Sen.-Maj.	5 Smith-street, Thornbury
8804	Dusting, John R.	Brig.	59 Rowell-avenue, Camberwell
9997	England, H. L.	Sen.-Maj.	30 Charles-street, Brunswick
10100	Everett, H. W.	Maj.	11 Kai Koura-avenue, East Hawthorn
9928	Ewen, Charles E.	Cap.	Smith-street, Warragul
9915	Gibbons, A. L.	Maj.	53 Mitchell-street, Northcote
9285	Giles, Henry	Sen.-Maj.	15 Smith-street, North Richmond
8992	Goold, Frederick H.	Sen.-Maj.	15 Murray-street, Yarraville
10188	Greaves, C. H.	Cap.	Warrick-avenue, Springvale
9741	Hall, Norman John	Cap.	16 Marshall-street, Chilwell
8167	Hallett, Victor James	Sen.-Maj.	69 Bourke-street, Melbourne
9415	Harewood, Robert Stanley	Col.	19 Brunel-street, East Malvern
10033	Hargreaves, G. L.	Cap.	5 Clarence-street, Geelong West
6878	Harris, Alfred James Stewart	Col.	26 Beauchamp-street, Preston
9651	Hay, James	Commr.	16 Glyndon-road, Camberwell
9260	Henderson, Victor Wm.	Sen.-Maj.	4 Agnes-street, Thornbury
9537	Hewitt, David Wycliffe	Maj.	3 Henry-street, Box Hill
10013	Hocking, J. V.	Sen.-Maj.	14 Woolton-avenue, Thornbury
8124	Hoeppe, Ferdinand Wilhelm	Brig.	64 Valley-parade, Glen Iris
10168	Hunter, H.	Sen.-Cap.	62 Madden-avenue, Mildura
9400	Hurst, William Charles	Sen.-Maj.	65 Grosvenor-street, South Yarra
9874	Inglis, Geo.	Brig.	4 Clarinda-road, Canterbury, E.7
9636	Inglis, Gilbert Joseph	Brig.	79 Victoria-crescent, Abbotsford
9800	Jones, John T.	Sen.-Cap.	282 Dorcas-street, South Melbourne
9935	Kingham, Neil	Sen.-Cap.	Heath-street, Red Cliffs
9333	Landers, Cecil E.	Sen.-Maj.	74 Woolton-avenue, Thornbury
9756	Leggett, Peter Kenneth McCallum	Brig.	Boys' Home, Bayswater
9606	Linnett, Arthur George	Sen.-Cap.	19 Kent-road, Box Hill
9248	Loughnan, George Arthur	Sen.-Maj.	157 Ft. Nepean-road, Chelsea
9118	Lynn, Thomas H.	Brig.	23 Roxburgh-street, Preston
9416	McInnes, Archibald W. W.	Sen.-Maj.	144 Gooch-street, Thornbury
8672	Marion, Charles J.	Lt.-Col.	102 Mansfield-street, Thornbury
8993	Martin, Richard B.	Sen.-Maj.	91 Union-road, Ascot Vale
9774	Maunder, Harold Edgar	Maj.	26 Blair-street, Moreland
8253	Mawson, Arthur	Sen.-Maj.	69 Bourke-street, Melbourne
9645	Morrison, Robert	Lt.-Col.	21 Athelstan-road, Camberwell
9789	Newdick, Arthur Henry	Maj.	37 Clark-street, Hamilton
9418	Oakley, Charles	Maj.	People's Palace, King-street, Melbourne
8659	Palmer, Garnet	Brig.	69 Bourke-street, Melbourne
10068	Parkinson, Stan.	Maj.	20 East-street, Ballarat
8643	Parkinson, William B.	Maj.	73 Union-street, Malvern
8573	Penberthy, Albert Sydney	Brig.	59 Bowen-street, Camberwell
8102	Quantock, Percival Herbert Francis	Sen.-Maj.	31 St. Johns-avenue, Camberwell
9305	Raven, Walter H.	Brig.	102 Mansfield-street, Thornbury
9504	Ray, Howard Wiffen	Maj.	69 Bourke-street, Melbourne
10069	Reese, A. F.	Sen.-Maj.	23 Bass-street, Box Hill
8991	Reeve, Hector	Maj.	70 Anderson-road, Sunshine
9307	Robertson, Edwin C.	Maj.	54 Erasmus-street, Surrey Hills
9829	Sandells, George W.	Lt.-Col.	52 Auburn-parade, Hawthorn
9955	Saunders, D. J.	Cap.	69 Bourke-street, Melbourne
7832	Saunders, Frederick Harold	Col.	44 Hunter-road, Camberwell
10195	Setterfield, C. Keith	Adj.	15 Wellington-street, Maryborough
9128	Sharp, Allen Winzer	Sen.-Maj.	Albert-street, Melbourne
10000	Shaw, William B.	Maj.	19 Gertrude-street, Windsor, S.1
8139	Slattery, Edward Cornelius	Col.	9 Donaldson-street, McKinnon
8818	Smith, George Morgan	Maj.	4 St. George-street, Stawell
10011	Smith, Harold J.	Maj.	24 Outer-crescent, North Brighton
9770	Smith, John Evan	Commr.	69 Bourke-street, Melbourne
10187	Smith, Ronald W.	Maj.	15 Cooma-street, Preston, N.18
9505	Southwell, David	Sen.-Maj.	Albert-street, Ballarat
9228	Thomson, Edgar	Maj.	43 Bell-street, Hawthorn
8937	Walker, William	Brig.	69 Bourke-street, Melbourne
9362	Watkinson, Frederick George	Maj.	460 Rae-street, North Fitzroy
9704	Wilkinson, Eric	Maj.	16 Hall-street, Moonee Ponds
9671	Woodland, George Baden	Sen.-Cap.	Albert-street, Ballarat
9266	Young, Alan G.	Maj.	422 Burwood-road, Hawthorn

* The designations in The Salvation Army are thus abbreviated: "Commr." for Commissioner; "Col." for Colonel; "Lt.-Col." for Lieutenant-Colonel; "Brig." for Brigadier; "Sen.-Maj." for Senior-Major; "Maj." for Major; "Sen.-Cap." for Senior-Captain; "Adjt." for Adjutant; "Cap." for Captain.

LIST OF REGISTERED CLERGY, 31ST DECEMBER, 1949—continued.

Number in Register.	Name.	Designation.	Residence.
UNITED EVANGELICAL LUTHERAN.			
<i>Church in Australia, Victoria District.</i>			
10044	Bugis, Arvids	Pastor ..	Main-road, Templestowe
7808	Fischer, Eric Waldemar	Pastor ..	Natimuk
8680	Larsen, Johannes Mogens	Pastor ..	Grovedale
8856	Lienert, Ernest Leslie	Pastor ..	Pinaroo, South Australia
8462	Minke, Carl H.	Pastor ..	Jeparit
9944	Muetzelfeldt, Bruno E.	Pastor ..	Bonegilla
9763	Roennfeldt, Victor George	Pastor ..	Warracknabeal
9925	Scherer, Philip A.	Pastor ..	Doncaster
9302	Scheer, Colin Eric	Pastor ..	Corowa, New South Wales
9722	Stahl, Walter Frederick	Pastor ..	Murtoa
10045	Stockholm, Uno	Pastor ..	South Melbourne
8591	Stolz, Ernst Gottfried	Pastor ..	Berri, South Australia
10133	Winkler, Martin Friedrich	Pastor ..	Walla Walla, New South Wales
EVANGELICAL LUTHERAN CHURCH OF AUSTRALIA.			
<i>Victorian District.</i>			
9449	Backen, Oscar Wilhelm	Pastor ..	Jeparit
9951	Georg, Martin Johannes	Pastor ..	Minyip
8497	Harms, Christoph Hermann Theodore	Pastor ..	Burrumbuttock, New South Wales
6818	Hoffmann, Heinrich	Pastor ..	Geelong
6673	Jaensch, Carl Edward August	Pastor ..	Swan Hill
9021	Jenke, Leonard Erwin	Pastor ..	Walpeup
10020	Juers, John	Pastor ..	34 Thomson-street, Maidstone
9978	Leske, Everard	Pastor ..	6 Poplar-street, Box Hill
5070	Leske, Gotthold Adolph	Pastor ..	Box 73, Rainbow
6770	Mattiske, Oscar Heinrich	Pastor ..	Murtoa
9660	Mueller, Paul Albert	Pastor ..	Pinaroo, South Australia
7043	Nagel, Christian Diedrich	Pastor ..	Netherby
7866	Noack, Heinrich Johannes	Pastor ..	4 Essex-street, North Ballarat
4881	Noack, Johann Friedrich	Pastor ..	28 Stewart-street, Horsham
9080	Noske, Walter Herbert	Pastor ..	5 Smythe-avenue, Mont Albert
8771	Paeoh, Walter Herbert	Pastor ..	67 Barton-street, Surrey Hills
10074	Quast, Hugo Franz	Pastor ..	Tarrington
9091	Rosenblatt, Herbert	Pastor ..	Hamilton
7011	Rudolph, Phillip Frederick	Pastor ..	Olive-street, Albury, New South Wales
5071	Schulze, Friedrich Heinrich	Pastor ..	Grovedale
6686	Schwarz, August Benno	Pastor ..	Warracknabeal
6232	Starick, Wilhelm Paul Edmund	Pastor ..	Dimboola
8330	Strelan, Peter Gerhard	Pastor ..	Bendigo
6255	Thiele, Otto Edwin	Pastor ..	Baillie-street, Horsham
9177	Wiebusch, Edmund Waldemar Manuel	Pastor ..	Tabor
9441	Wiebusch, Theodore Martin	Pastor ..	Warrnambool
9476	Wundersitz, Albert Wilhelm	Pastor ..	Mildura
8645	Zweck, Elmore Norman	Pastor ..	Nhill
GERMAN EVANGELICAL LUTHERAN CHURCH.			
7984	Steinger, Ewald	Pastor ..	22 Parliament-place, Melbourne
SWEDISH EVANGELICAL LUTHERAN CHURCH.			
9510	Sundelin, Ake Martin	Minister ..	16 Lexton-grove, Prahran
10120	Wingren, Ingmar	Pastor ..	52 Manningtree-road, Hawthorn
BALLARAT TOWN AND CITY MISSION.			
8732	Wiley, William Joseph	Missioner ..	40 Peel-street, South Ballarat
CATHOLIC AND APOSTOLIC.			
7648	Rossiter, Frederick Dalglish	Priest ..	56 Wilson-street, North Carlton
CHURCH OF JESUS CHRIST OF LATTER DAYS SAINTS.			
7453	Kneale, Raymond Frederick	Elder ..	28 Mangarra-road, Canterbury
RE-ORGANIZED CHURCH OF JESUS CHRIST OF LATTER DAY SAINTS.			
9614	Ballard, Stanley Wiseman	Elder ..	9 Richmond-street, Geelong
9771	Butterworth, Ralph Albert	High Priest ..	62 Wheatstheaf-road, Glenroy
9033	Cuthbert, George Grey	Elder ..	14 Ames-avenue, Carnegie
9772	Davies, Edwin Albert	Elder ..	29 Hammond-street, Thornbury
7803	Jacka, Harry	Elder ..	Kennedy-street, Euroa
9050	Jacka, Sydney	High Priest ..	18 Hartwell Hill-road, Hartwell
SYNOD OF THE FREE PRESBYTERIAN CHURCH OF VICTORIA.			
5665	Graham, Isaac Lester	Minister ..	11 Gray-street, Hamilton
6182	Robinson, James Campbell	Minister ..	88 Alma-road, East St. Kilda

LIST OF REGISTERED CLERGY, 31ST DECEMBER, 1949—continued.

Number in Register.	Name.	Designation.	Residence.
INTERNATIONAL BIBLE STUDENTS' ASSOCIATION.			
10082	Hunter, Harry	Minister ..	54 Wattle-street, Bendigo
7814	Kinnimonth, Richard A.	Minister ..	39 Washington-street, Essendon
10085	McBane, John	Minister ..	24 Hawthorn-grove, Hawthorn
10083	Taylor, Harold Richard	Minister ..	35 High-street, Geelong West
AUSTRALIAN CHURCH.			
9137	Plumb, Charles Mervyn	Minister ..	120 Powlett-street, East Melbourne
GREEK ORTHODOX CHURCH.			
9977	Patsoyannis Constantine	Priest ..	95 Barkers-road, Kew, E.4
SYRIAN ORTHODOX CHURCH.			
9844	Haydar, Exarch Geo.	Priest ..	47 Leinster-grove, Northcote
9807	Shehadie, Michael	Arch Priest ..	95 Walker-street, Redfern, New South Wales
NEW CHURCH.			
6760	Teed, Richard Hooper	Minister ..	Hepburn-street, Auburn
OPEN BRETHREN.			
9136	Burton, William J.	Pastor ..	144 Victoria-road, Upper Hawthorn
9135	Clayton, Rice H.	Evangelist ..	2A Campbell-road, Balwyn
9580	Wannan, John Wm. Fearn	Pastor ..	21 Wolsley-crescent, Blackburn
PARTICULAR BAPTIST.			
8566	Adams, William Oaklands	Minister ..	9 Raynes Park-road, Hampton
8863	Seeger, Lawrence	Minister ..	37 Grandview-grove, Rosanna
9803	Toogood, Arthur Raymond	Minister ..	Middleborough-road, Box Hill
ASSEMBLIES OF GOD IN AUSTRALIA.			
9795	Amery, Frederick Arthur William	Pastor ..	Kyabram
9499	Greenwood, Elvino Charles	Pastor ..	36 Pleasant-road, Hawthorn
7687	Greenwood, Charles Lewis	Pastor ..	36 Pleasant-road, Hawthorn
8975	Luke, Harry	Pastor ..	81 Atherton-road, Oakleigh
10115	Miller, Albert Jas.	Pastor ..	62 Capel-street, West Melbourne
10135	Taylor, Geo. Harry	Pastor ..	37 Larter-street, Ballarat
REFORMED PRESBYTERIAN CHURCH OF IRELAND.			
9701	Barkley, Alexander	Minister ..	20 Fenwick-street, Geelong
7439	McEwen, William Reid	Minister ..	10 Malcolm-street, McKinnon
4714	Mack, Hugh Kennedy	Minister ..	119 Gheringhap-street, Geelong
SEVENTH DAY ADVENTISTS.			
9279	Anderson, Theodore Alden	Pastor ..	41 Faversham-road, Canterbury, E.7
10156	Baird, Harold	Pastor ..	64 Railway-parade, Shepparton
10103	Blair, Ross Ewin Goodall	Pastor ..	202 Whitehorse-road, Balwyn
9156	Breaden, Frank	Pastor ..	24 Albion-street, Surrey Hills, E.10
9425	Brown, Ronald Pavitt	Pastor ..	Signs Publishing Co., Warburton
8593	Butz, Edwin Sebastian	Pastor ..	4 Palmer-street, Oakleigh, S.E.12
10104	Dyason, Arthur Prescott	Pastor ..	29 Oliver-street, East Malvern, S.E.5
7943	Foster, Phillip George	Pastor ..	557 High-street, Golden Square
10105	Gane, Edward Roy	Pastor ..	45 Barcelona-street, Box Hill, E.11
8696	Gathercole, Alfred James	Pastor ..	36 Salisbury-street, Benalla
9550	Griffin, Cecil James	Pastor ..	8 Yarra-street, Hawthorn, E.2
9471	Hadfield, Bernard Edwin	Pastor ..	Hogan-street, Eltham
9739	Hammond, Thomas William	Pastor ..	Central-road, Nunawading
8909	Hawken, William James	Pastor ..	36 Doris-street, Murrumbeena, S.E.9
10155	Heggie, Ronald Neil	Pastor ..	557 High-street, Golden Square
9036	Hollingsworth, Cyril Forrest	Pastor ..	19 Laing-street, Surrey Hills, E.10
10106	Hooper, Walter Thomas	Pastor ..	37 McKean-street, Box Hill, E.11
9431	Howse, Henry Thomas	Pastor ..	"Riverview," Anstruther-street, Echuca
9310	Imrie, Leslie John	Pastor ..	Mines-road, East Ringwood
8851	Jackson, John Stanley	Pastor ..	14 Darlot-street, Horsham
8923	Jones, Llewellyn Leslie	Pastor ..	25 McDonald-street, Warrnambool
9666	Kent, Hilton Maxwell	Pastor ..	92 Bruce-street, Coburg, N.13
9404	Kingston, Hector William	Pastor ..	466 Murray-road, Preston
10107	Lawson, Thomas Charles	Pastor ..	7 McKean-street, Box Hill, E.11
9409	Litster, William Reginald	Minister ..	38 Victoria-crescent, Mont Albert, E.10
6669	Marriott, George Everard	Pastor ..	13 Plant-street, Westgarth, N.16
8849	Mitchell, Albert Isaac	Pastor ..	15 Bowen-street, Camberwell, E.6
9000	Parker, Arthur Frederick	Pastor ..	252 Pakington-street, Geelong
9157	Rose, Leo	Pastor ..	35 Francis-street, Bairnsdale
9738	Rudge, Wilfred Edmond	Pastor ..	2 Queen-street, Surrey Hills, E.10
8960	Sedgman, Thomas Edward Athelstan	Pastor ..	43 Scott-street, Camperdown
8922	Streeter, Henry Stephen	Pastor ..	25 Moama-road, East Malvern, S.E.5
9406	Tucker, Evan Robert	Pastor ..	5 Gardenia-street, Mildura
9411	Turner, Edward Arthur	Pastor ..	25 Cochran-avenue, Camberwell, E.6
7563	Whittaker, Edwin George	Pastor ..	12 Grange-road, Sandringham, S.8
9407	Winter, Stanley George	Minister ..	26 Davis-avenue, South Yarra, S.E.1
9159	Wood, Ralph Austin	Pastor ..	c/o Signs Publishing Company, Warburton

LIST OF REGISTERED CLERGY, 31ST DECEMBER, 1949—*continued.*

Number in Register.	Name.	Designation.	Residence.
UNITARIAN.			
6840	Bottomley, William	Minister ..	"Concord," Austin-road, Scaford
9777	James, Victor Montgomery Keeling ..	Minister ..	Cathedral-place, East Melbourne
CHRISTIAN ISRAELITES.			
9106	Eastes, Reuben	Priest ..	Gordon-grove, Northcote
WELSH CALVINISTIC METHODISTS (WELSH PRESBYTERIAN).			
8213	Caradoc-Hughes, Robert	Minister ..	4 Spray-street, Elwood
9226	Stewart, John	Minister ..	7 Freyer-street, Williamstown

ADDENDUM.

REGISTRARS OF MARRIAGES.

District.	Name of Registrar.	Address.
Geelong	Parrott, Claude Launcelot Andrews	Malop-street, Geelong
Melbourne	Cook, Wm. Glanville Lau ..	19 Russell-street, Melbourne
Melbourne	Robinson, William Henry ..	283 Queen-street, Melbourne
North Melbourne and Flemington	Clarey, Alexander William ..	22 Norwood-street, Flemington
Richmond	Blair, Robert	Central Hall, Church-street, Richmond

NOTE.—Marriages may also be celebrated by the Government Statist and Assistant Government Statist.

O. GAWLER,
Government Statist.

Office of the Government Statist,
Melbourne, 6th June, 1950.