



VICTORIA GOVERNMENT GAZETTE.

Published by Authority.

[Registered at the General Post Office, Melbourne, for transmission by post as a newspaper.]

No. 786]

WEDNESDAY, OCTOBER 14.

[1953

PROVINCES OF NEW BRUNSWICK, NEWFOUNDLAND AND PRINCE EDWARD ISLAND DECLARED RECIPROCATING STATES WITHIN THE MEANING OF THE MAINTENANCE ACTS.

PROCLAMATION

By His Excellency the Administrator of the Government of the State of Victoria and its Dependencies in the Commonwealth of Australia, &c., &c., &c.

I THE Administrator of the Government of the State of Victoria, in the Commonwealth of Australia, being satisfied that reciprocal provisions within the meaning of section 95 of the *Maintenance Act 1928* have been made by the Legislatures of the Provinces of New Brunswick, Newfoundland and Prince Edward Island in the Dominion of Canada (to which Provinces the Imperial Act intitled the *Maintenance Orders (Facilities for Enforcement) Act 1920* extends) for the enforcement within the said Provinces of maintenance orders made by courts within the said State, do now under the power conferred by the said section, by and with the advice of the Executive Council of the said State, hereby declare the Provinces of New Brunswick, Newfoundland and Prince Edward Island to be reciprocating States for the purposes of Part V. of the *Maintenance Act 1928*.

Given under my Hand and the Seal of the State of Victoria aforesaid, at Melbourne, this sixth day of October, in the year of our Lord One thousand nine hundred and fifty-three, and in the second year of the reign of Her Majesty Queen Elizabeth II.

(L.S.) CHARLES J. LOWE.

By His Excellency's Command,
W. SLATER,
Attorney-General.

GOD SAVE THE QUEEN!

Land Act 1928.

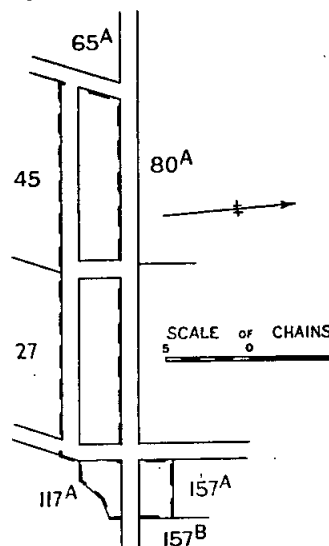
PROCLAMATION RESCINDED AND TOWNSHIP OF DURHAM PROCLAIMED.

PROCLAMATION

By His Excellency the Administrator of the Government of the State of Victoria and its Dependencies in the Commonwealth of Australia, &c., &c., &c.

I THE Administrator of the Government of the State of Victoria in the Commonwealth of Australia by and with the advice of the Executive Council of the said State

and in pursuance of the provisions contained in section 25 of the *Land Act 1928* do by this my Proclamation rescind the Proclamation dated 15th November 1910 defining a certain area of land as a Township at Durham in the Parish of Chiltern West (see *Government Gazette 1910* page 5209) and in lieu thereof do hereby proclaim as a Township distinguished by the name of Durham the area of land in the Parish of Chiltern West, County of Bogong, within the boundaries indicated by conventional township sign on the plan hereunder.—(C.381(6) (C.95500).



Given under my Hand and the Seal of the State of Victoria aforesaid, at Melbourne, this sixth day of October, in the year of our Lord One thousand nine hundred and fifty-three, and in the second year of the reign of Her Majesty Queen Elizabeth II.

(L.S.) CHARLES J. LOWE.

By His Excellency's Command,
R. W. HOLT,
Commissioner of Crown Lands and Survey.

GOD SAVE THE QUEEN!

Land Act 1928.

TOWNSHIP NAMED WAIL.

PROCLAMATION

By His Excellency the Administrator of the Government of the State of Victoria and its Dependencies in the Commonwealth of Australia, &c., &c., &c.

I THE Administrator of the Government of the State of Victoria in the Commonwealth of Australia by and with the advice of the Executive Council of the said State and in pursuance of the provisions contained in section 25 of the *Land Act 1928* do by this my Proclamation distinguish the Township in the Parish of Wail defined by Proclamation dated 20th October 1890 (see *Government Gazette* 1890 page 4216) and as extended by the Proclamation dated 6th March 1893 (see *Government Gazette* 1893 page 1302) by the name of Wail.—(W.306^(5,7) (C.95201).

Given under my Hand and the Seal of the State of Victoria aforesaid, at Melbourne, this sixth day of October, in the year of our Lord One thousand nine hundred and fifty-three, and in the second year of the reign of Her Majesty Queen Elizabeth II.

(L.S.) CHARLES J. LOWE.

By His Excellency's Command,
R. W. HOLT,
Commissioner of Crown Lands and Survey.
GOD SAVE THE QUEEN!

Land Act 1928.

TOWNSHIP NAMED BALLIANG.

PROCLAMATION

By His Excellency the Administrator of the Government of the State of Victoria and its Dependencies in the Commonwealth of Australia, &c., &c., &c.

I THE Administrator of the Government of the State of Victoria in the Commonwealth of Australia by and with the advice of the Executive Council of the said State and in pursuance of the provisions contained in section 25 of the *Land Act 1928* do by this my Proclamation distinguish the Township on the Staughton Vale Estate in the Parish of Balliang the boundaries of which were defined by Proclamation dated 29th April 1908 (see *Government Gazette* 1908 page 2580) by the name of Balliang.—(B.27(c) (C.93319).

Given under my Hand and the Seal of the State of Victoria aforesaid, at Melbourne, this sixth day of October, in the year of our Lord One thousand nine hundred and fifty-three, and in the second year of the reign of Her Majesty Queen Elizabeth II.

(L.S.) CHARLES J. LOWE.

By His Excellency's Command,
R. W. HOLT,
Commissioner of Crown Lands and Survey.
GOD SAVE THE QUEEN!

Weights and Measures Acts.

ADDITION TO THE SOUTH EASTERN SUBURBS WEIGHTS AND MEASURES UNION.

PROCLAMATION

By His Excellency the Administrator of the Government of the State of Victoria and its Dependencies in the Commonwealth of Australia, &c., &c., &c.

WHEREAS by the Weights and Measures Acts, it is amongst other things enacted that at the request of the Councils of all the municipalities concerned, the Governor in Council may by Proclamation declare that any municipality specified in such Proclamation shall be added to and form part of a Union:

And whereas the Cities of Caulfield, Brighton, Oakleigh and Sandringham do constitute a Union under the title of the "South Eastern Suburbs Weights and Measures Union" for the purposes of the Weights and Measures Acts:

And whereas the Councils of each of the said municipalities and the Councils of the municipalities of the Cities of Malvern and St. Kilda have requested that the Cities of Malvern and St. Kilda should be added to and form part of the said Union:

Now therefore I, the Administrator of the Government of the State of Victoria, in the Commonwealth of Australia by and with the advice of the Executive Council of the said State and in pursuance of the powers conferred by the *Weights and Measures Act 1939* do by this my Proclamation declare that the Cities of Malvern and St. Kilda shall be added to and form part of such Union from the first day of October, 1953, and do fix as follows the apportionment among such municipalities of the expenses devolving on the Union under the said Acts:—

1. The amount to be contributed by each municipality of the Union as re-constituted in accordance with this Proclamation shall bear the same proportion to the expenses devolving upon the Union as the number of persons residing in each such municipality bears to the total number of persons residing in all the municipalities of the Union.
2. The number of persons residing in each such municipality shall be deemed to be the number of persons residing therein as disclosed by the last periodical census conducted by or on behalf of the Government of the Commonwealth of Australia.
3. The provisions set forth in paragraphs (1) and (2) hereof shall have effect from the first day of October next after the declaration or publication by or on behalf of the Commonwealth of Australia of the result of the periodical census showing the number of persons residing in each such municipality.

Provided that from the first day of October, 1953, until the thirtieth day of September next after the declaration or publication of the result of the census aforesaid, the apportionment among such municipalities of the expenses devolving upon the Union shall be as follows (that is to say):—

City of Caulfield	29-00 per centum.
City of St. Kilda	20-26 per centum.
City of Malvern	17-50 per centum.
City of Brighton	14-92 per centum.
City of Sandringham	11-02 per centum.
City of Oakleigh	7-30 per centum.

Given under my Hand and the Seal of the State of Victoria aforesaid, at Melbourne, this thirteenth day of October, in the year of our Lord One thousand nine hundred and fifty-three, and in the second year of the reign of Her Majesty Queen Elizabeth II.

(L.S.) CHARLES J. LOWE.

By His Excellency's Command,
L. W. GALVIN,
Chief Secretary.

GOD SAVE THE QUEEN!

BANK HOLIDAYS.

PROCLAMATION

By His Excellency the Administrator of the Government of the State of Victoria and its Dependencies in the Commonwealth of Australia, &c., &c., &c.

IN pursuance of the provisions of the Banks and Currency Acts, I, the Administrator of the Government of the State of Victoria, in the Commonwealth of Australia, do by this my Proclamation appoint the days and dates named hereunder special days to be observed as Bank Holidays or Bank Half-Holidays (as the case may be) at the places respectively mentioned, that is to say:—

Bank Holidays:—

WEDNESDAY, 11TH NOVEMBER, 1953, at Bendigo.
WEDNESDAY, 11TH NOVEMBER, 1953, at Eaglehawk.

*Bank Half-Holidays from the Hour of Eleven o'clock
in the forenoon:—*

WEDNESDAY, 18TH NOVEMBER, 1953, at Bendigo and Eaglehawk.

WEDNESDAY, 21ST OCTOBER, 1953, at Geelong.

TUESDAY, 3RD NOVEMBER, 1953, at Mildura and Merbein.

Given under my Hand and the Seal of the State of Victoria aforesaid, at Melbourne, this thirteenth day of October, in the year of our Lord One thousand nine hundred and fifty-three, and in the second year of the reign of Her Majesty Queen Elizabeth II.

(L.S.) CHARLES J. LOWE.

By His Excellency's Command,

L. W. GALVIN,
Chief Secretary.

GOD SAVE THE QUEEN!

BANK HALF-HOLIDAYS.

PROCLAMATION

By His Excellency the Administrator of the Government of the State of Victoria and its Dependencies in the Commonwealth of Australia, &c., &c., &c.

IN pursuance of the provisions of the Banks and Currency Acts, I, the Administrator of the Government of the State of Victoria, in the Commonwealth of Australia, do by this my Proclamation appoint the days and dates named hereunder special days to be observed as Bank Half-Holidays at the places respectively mentioned, that is to say:—

*Bank Half-Holidays from the Hour of Eleven o'clock
in the forenoon:—*

WEDNESDAY, 21ST OCTOBER, 1953, at Echuca.

WEDNESDAY, 28TH OCTOBER, 1953, at Murrayville.

WEDNESDAY, 11TH NOVEMBER, 1953, at Woodend.

Given under my Hand and the Seal of the State of Victoria aforesaid, at Melbourne, this thirteenth day of October, in the year of our Lord One thousand nine hundred and fifty-three, and in the second year of the reign of Her Majesty Queen Elizabeth II.

(L.S.) CHARLES J. LOWE.

By His Excellency's Command,

L. W. GALVIN,
Chief Secretary.

GOD SAVE THE QUEEN!

PUBLIC HOLIDAYS.

PROCLAMATION

By His Excellency the Administrator of the Government of the State of Victoria and its Dependencies in the Commonwealth of Australia, &c., &c., &c.

IN pursuance of the provisions contained in Part III. of the *Public Service Act 1946*, I, the Administrator of the Government of the State of Victoria, in the Commonwealth of Australia, by and with the advice of the Executive Council of the said State, do by this my Proclamation appoint the days and dates hereunder mentioned to be observed as Public Holidays at the places respectively specified, viz.:—

Public Holidays:—

TUESDAY, 3RD NOVEMBER, 1953, throughout the City of Ararat.

*SATURDAY, 5TH DECEMBER, 1953, throughout the Shire of Mortlake.

*Agricultural Show.

Given under my Hand and the Seal of the State of Victoria aforesaid, at Melbourne, this thirteenth day of October, in the year of our Lord One thousand nine hundred and fifty-three, and in the second year of the reign of Her Majesty Queen Elizabeth II.

(L.S.) CHARLES J. LOWE.

By His Excellency's Command,

L. W. GALVIN,
Chief Secretary.

GOD SAVE THE QUEEN!

MELBOURNE CUP HOLIDAY.

NOTICE is hereby given that on—

TUESDAY, THE 3RD NOVEMBER, 1953,

the Public Offices in the municipalities hereunder will be closed, that day having been proclaimed by the Governor in Council, under the powers conferred by the *Public Service Act 1946*, to be observed as a holiday in the Public Offices:—

Box Hill, Brighton, Brunswick, Camberwell, Caulfield, Chelsea, Coburg, Collingwood, Essendon, Fitzroy, Footscray, Hawthorn, Heidelberg, Kew, Malvern, Melbourne, Moorabbin, Mordialloc, Northcote, Nunawading, Oakleigh, Port Melbourne, Prahran, Preston, Richmond, St. Kilda, Sandringham, South Melbourne, Sunshine, and Williamstown; the Borough of Ringwood; the Shires of Bacchus Marsh, Berwick, Broadmeadows, Bulla, Cranbourne, Dandenong, Doncaster, and Templestowe, Eltham, Fern Tree Gully, Frankston and Hastings, Gisborne, Keilor, Lillydale, Melton, Mornington, Mulgrave, Romsey, Werribee, and Whittlesea.

This notice relates only to the closing of the State Public Offices. All inquiries regarding holidays in other offices and in shops and industry should be directed to the Department of Labour, Old Treasury Building, Spring-street, Melbourne, C.1. (Telephone MF 0321, Extension 266 or 882.)

L. W. GALVIN,
Chief Secretary.

Chief Secretary's Office,
Melbourne, C.1, 13th October, 1953.

FREE PLACES AT THE UNIVERSITY.

APPLICATIONS are invited from persons (other than teachers) in the employment of the Government of Victoria for Free Places at the University of Melbourne to be awarded from the beginning of 1954.

A free place will not be awarded to an officer whose own department provides similar facilities for University education, by way of some training scheme or the like, for which he is eligible to apply.

Applicants must satisfy the following requirements:—

- They must have been in the permanent service of the Government since the 1st January, 1953.
- Except in special cases to be determined by the Selection Committee, they must be not over the age of 25 years.
- They must have matriculated. (Candidates for the matriculation examination this year may, however, apply.)

Free Places are tenable for the full length of an approved course for any degree, diploma, or licence. A successful applicant will be granted the necessary leave of absence on full pay to enable him to attend essential lectures, practical and other work, and examinations. He will be admitted, without fees, to all lectures and examinations of his course.

The holder of a Free Place will be required to enter into an agreement that he will remain in the service of the Government of Victoria for five years after the termination of his Free Place.

Forms of application may be obtained from this office, and should be forwarded through the Permanent Head of the Department in which the applicant is employed to reach the Secretary, Education Department, Melbourne, not later than the 25th November, 1953.

D. H. WHEELER,
Secretary.

Education Department,
Melbourne, 5th October, 1953.

Stock Diseases Act 1928 (No. 3779).

QUARANTINE DISTRICTS UNDER REGULATION 37.

QUARANTINE restrictions imposed on the following properties have been removed:—

Name; Address.

Phillips, M. H.; Corryong (Old House Paddock).
Smith, H., and Son; Clyde.

R. J. DE C. TALBOT,
Chief Inspector of Stock.

APPOINTMENTS.

HIS Excellency the Administrator of the Government of the State of Victoria, by and with the advice of the Executive Council thereof, has, by Orders made on the 6th day of October, 1953, been pleased to make the under-mentioned appointments, viz.:—

CHIEF SECRETARY'S DEPARTMENT.

Electoral Registrars (Acting).

THOMAS LINEHAN

to be Electoral Registrar (Acting) for the Dimboola, Donald, Horsham, Minyip, Murtoa, and Warracknabeal Subdivisions of the Electoral District of Borung; for the Goroke Subdivision of the Electoral District of Dundas; for the Charlton, Dunolly, Inglewood, St. Arnaud, and Wedderburn Subdivisions of the Electoral District of Korong; for the Avoca Subdivision of the Electoral District of Midlands; for the Jeparit, Kaniva, Nhill, and Rainbow Subdivisions of the Electoral District of Rainbow; and for the Horsham South, Landsborough, and Stawell Subdivisions of the Electoral District of Ripon, to take effect on and from the 5th October, 1953, during the absence, on leave, of Daniel James Walsh;

ALBERT JACK WALSH

to be Electoral Registrar (Acting) for the Alphington, Delbridge, and Westgarth Subdivisions of the Electoral District of Clifton Hill; for the Ivanhoe Subdivision of the Electoral District of Ivanhoe; and for the Northcote Subdivision of the Electoral District of Northcote, to take effect on and from the 19th October, 1953, during the absence, on leave, of Leonard Foster Murraylee;

WILLIAM DAVID MILLAR

to be Electoral Registrar (Acting) for the St. Kilda West Subdivision of the Electoral District of Albert Park; for the Caulfield West Subdivision of the Electoral District of Caulfield; and for the St. Kilda and St. Kilda North Subdivisions of the Electoral District of St. Kilda, to take effect on and from the 28th September, 1953, during the absence, on leave, of James Edwin Moses;

WILLIAM REGINALD BUCHANAN

to be Electoral Registrar (Acting) for the Coburg and Mitchell Subdivisions of the Electoral District of Coburg; and for the Coburg West and Essendon Subdivisions of the Electoral District of Essendon, to take effect on and from the 5th October, 1953, during the absence, on leave, of Alan Carlyle Verey;

WILLIAM JOHN MILLETT BAILEY

to be Electoral Registrar (Acting) for the Box Hill, Mitcham, and Surrey Hills Subdivisions of the Electoral District of Box Hill; for the Healesville, Lilydale, and Warburton Subdivisions of the Electoral District of Evelyn; for the Heidelberg Subdivision of the Electoral District of Ivanhoe; and for the Diamond Creek, Doncaster, and Hurstbridge Subdivisions of the Electoral District of Mernda, to take effect on and from the 5th October, 1953, during the absence, on leave, of Herbert William Hodgson; and

RICHARD ERIC KERR

to be Electoral Registrar (Acting) for the Nagambie Subdivision of the Electoral District of Goulburn; for the Cobram, Nathalia, Numurkah, Rutherglen, and Yarra-wonga Subdivisions of the Electoral District of Murray Valley; for the Cohuna, Echuca, Mitiama, Pyramid Hill, Rochester, and Rushworth Subdivisions of the Electoral District of Rodney; and for the Kyabram, Murchison, Shepparton, and Tatura Subdivisions of the Electoral District of Shepparton, to take effect on and from the 26th October, 1953, during the absence, on leave, of Keith Howlett.

Chaplain to Pentridge Gaol.

HENRY HERMAN BOCK (the Reverend)

to be Methodist Chaplain to Her Majesty's Gaol, Pentridge, from the 1st October, 1953, *vice* Archibald Egbert Newton (the Reverend), retired.

Registrars of Births and Deaths.

EDWARD YATES,

pursuant to the provisions of section 4 of the *Registration of Births Deaths and Marriages Act 1928*, to be Registrar of Births and Deaths at Cohuna, to date from commencement of duty, with fees, *vice* Archibald Craig Notman, resigned; and

BERNARD ISLEY GRIFFITH,

pursuant to the provisions of section 4 of the *Registration of Births Deaths and Marriages Act 1928*, to be Registrar of Births and Deaths at Bendigo, to date from commencement of duty, *vice* Francis Leo McSweeney, resigned.

Officer in Charge (Acting) of Training Prison.

ELLIS MICHAEL OWENS,

pursuant to the provisions of the *Gaols Act 1928*, to be Officer in Charge (Acting) of the Beechworth Training Prison, from the 12th October, 1953, to the 2nd November, 1953, both dates inclusive, during the absence, on leave, of William Callaghan.

Assistant to Inspector of Fisheries.

JOHN CHARLES ALLAN, First Constable of Police,

pursuant to the provisions of the Fisheries Acts, to be an Assistant to the Inspector of Fisheries.

LAW DEPARTMENT.

Magistrates.

WILLIAM ASTOL TUCKFIELD, 15 Warringal-place, Heidelberg,

KENNETH ROBERT SYMONS, "The Whitehouse," Princes Highway, Beaconsfield,

BRYAN FRANCIS WILSON, 15 Ronald-street, Dandenong,

IAN RODERICK ROBERTSON, "Gisborne Park," Gisborne,

CYRIL HAROLD PLOOG, 100 Northumberland-road, Pascoe Vale, and

ERIC MONTGOMERIE THOMAS, Bell-street, Yarra Glen,

to Keep the Peace in the Central Bailiwick of the State of Victoria;

ARTHUR WILLIAM JOSHUA MESLEY, Mystic Park,

to Keep the Peace in the Midland Bailiwick of the State of Victoria; and

NORMAN MCLEAN, Mirboo North,

to Keep the Peace in the Eastern Bailiwick of the State of Victoria.

Commissioners for Taking Declarations, &c.

GERTIE HARRISON, 99 Broadway, Camberwell,

EILEEN ELIZABETH O'LEARY, 35 Droop-street, Footscray, and

ALFRED GEORGE WORDEN, 15 Boothby-street, Northcote, to be Commissioners for taking Declarations and Affidavits, under the provisions of Division 8 of Part IV. of the *Evidence Act 1928*, to resign upon removing from the neighbourhood of the addresses stated.

Clerk of Petty Sessions, &c.

ROBERT WILLIAM SMITH

to be Clerk of Petty Sessions and Clerk of the Children's Court at Broadmeadows, *vice* D. Yeaman, relieved, to take effect from the date of commencement of duty.

Clerks of Children's Courts.

JOHN EDMOND REILLY

to be Clerk of the Children's Court at Wodonga, Chiltern, and Rutherglen, during the absence, on annual leave, of H. V. Boarder, to take effect from the date of commencement of duty; and

DESMOND BRUCE SCULLY

to be Clerk of the Children's Court at Horsham and Natimuk, during the absence, on annual leave, of R. J. Brown, to take effect from the date of commencement of duty.

Sheriffs' Substitutes.

DESMOND BRUCE SCULLY

as Deputy Clerk of the Peace and Registrar of the County Court at Horsham, and by virtue of section 92 of the *Juries Act 1928*, to do and perform with respect to the courts at that place, in the place and stead of the Sheriff, all such acts and things as the Sheriff is, by the said Act, authorized or required to do or perform, during the absence, on annual leave, of R. J. Brown, to take effect from the date of commencement of duty; and

JOHN JOSEPH GLEESON

as Clerk of the Peace and Registrar of the County Court at Shepparton, and by virtue of section 92 of the *Juries Act 1928*, to do and perform with respect to the courts at that place, in the place and stead of the Sheriff, all such acts and things as the Sheriff is, by the said Act, authorized or required to do or perform, during the absence, on annual leave, of L. S. Galagher, to take effect from the date of commencement of duty.

Deputy Prothonotary, Clerk of the Peace, &c.

JOHN JOSEPH GLEESON

to be Deputy Prothonotary, Clerk of the Peace for the Northern Bailiwick, Registrar of the County Court, Clerk of Petty Sessions, and Clerk of the Children's Court at Shepparton, during the absence, on annual leave, of L. S. Galagher, to take effect from the date of commencement of duty.

Sheriffs' Bailiffs, &c.

OSWALD HENRY BEEVER, Senior Constable of Police, Rushworth,
to be also a Sheriff's Bailiff and a Bailiff of the County Court at Shepparton, *vice* J. Harrison, resigned, with fees, to take effect from the date of commencement of duty; and

WILLIAM MORRISON RICHARDS, Senior Constable of Police, St. Arnaud,
to be also a Sheriff's Bailiff and a Bailiff of the County Court at Ballarat, *vice* P. D. Collins, resigned, with fees, to take effect from the date of commencement of duty.

Officers Authorized to Attest Instruments.

HOWARD KENNETH THOMPSON,
WILLIAM DAVID BRACHER, and
BARRY WILLIAM MORRIS,
officers of the English, Scottish, and Australian Bank Limited, Melbourne,
pursuant to the provisions of section 191 of the *Transfer of Land Act 1928*, to attest instruments and powers of attorney under the said Act, signed by any person within the limits of Victoria.

DEPARTMENT OF HEALTH.

Members of Queen's Memorial Infectious Diseases Hospital Board.

The Honorable Sir HERBERT OLNEY,
The Honorable ARCHIBALD McDONALD FRASER, M.L.C.,
JOSEPH PATRICK O'CARROLL, M.L.A.,
DORIS LYNE OFFICER, M.R.C.S.,
ALBERT ERNEST COATES, M.B., B.S., and
MALCOLM WILLIAM PARKER
to be Members of the Queen's Memorial Infectious Diseases Hospital Board, pursuant to the provisions of section 5 (a) of the *Infectious Diseases Hospital Act 1928*, for a term of three years from the 16th October, 1953.

Inspector of Inebriates Institutions.

CHARLES RONALD DAVID BROTHERS, M.D., B.S.,
M.R.A.C.P., F.R.A.C.P.,
to be Inspector of Inebriates Institutions, pursuant to the provisions of section 15 (1) of the *Inebriates Act 1928*, as from the 27th September, 1953, *vice* Dr. J. K. Adey.

Deputy Superintendent of Mental Hospital.

WILFRED ARTHUR JOSEPH BRADY, M.B., B.S.,
to be Deputy Superintendent of the Mental Hospital, Sunbury, pursuant to the provisions of section 35 of the *Mental Hygiene Act 1928*, as from the 14th September, 1953, *vice* Dr. L. L. Lovett, on annual leave.

Government Representatives on Committees of Management.

CYRIL CASHIN
to be Government Representative on the Committee of Management of the Stawell District Hospital, pursuant to the provisions of section 48 of the *Hospitals and Charities Act 1948*, for a period of three years, *vice* T. Gray; and

THOMAS RICHARD FLOOD
to be Government Representative on the Committee of Management of the Bendigo Benevolent Home, pursuant to the provisions of section 48 of the *Hospitals and Charities Act 1948*, for a term of three years, as from the 18th October, 1953, *vice* E. F. Granger.

Acting Clerk of Mental Hospital, &c.

KENNETH AUSTIN BOYD
to be Acting Clerk of the Mental Hospital and Receiving House, Ballarat, pursuant to the provisions of sections 35 and 41 of the *Mental Hygiene Act 1928*, *vice* Allan Bayne, on sick leave, from the 13th September, 1953.

MINES DEPARTMENT.

Mining Registrar. (Acting).

CHARLES VERNON HUNTER, Inspector of Land Settlement,
to act as Mining Registrar for the Omeo Division of the Gippsland Mining District, *vice* Colin Melotte, transferred, fees received to be the only remuneration.

DEPARTMENT OF TREASURER.

Receivers of Revenue (Acting).

JOHN JOSEPH GLEESON
to act temporarily as Receiver of Revenue, Shepparton, during the absence of L. S. Galagher, on leave;
JOHN EDMOND REILLY

to act temporarily as Receiver of Revenue, Wodonga, during the absence of H. V. Boarder, on leave; and
DESMOND BRUCE SCULLY
to act temporarily as Receiver of Revenue, Horsham, during the absence of R. J. Brown, on leave.

Collector of Imposts (Acting).

WILLIAM PATRICK JOSEPH GARDINER
to act temporarily as Collector of Imposts, and Secretary to the State Tender Board, during the absence of W. H. Rutherford, on leave.

DEPARTMENT OF WATER SUPPLY.

Waterworks Trust Commissioner.

ROBERT HENRY AUGUSTUS FIELDEW
to be a Commissioner of the Kyneton Shire Waterworks Trust for a period of four years, from the date hereof, subject to the provisions of the Water Acts.

A. MAHLSTEDT,

Clerk of the Executive Council.

At the Executive Council Chamber,
Melbourne, 6th October, 1953.

RESIGNATIONS.

HIS Excellency the Administrator of the Government of the State of Victoria, by and with the advice of the Executive Council thereof, has, by Orders made on the 6th day of October, 1953, accepted the resignations of the persons named hereunder of the offices mentioned, viz.:—

CHIEF SECRETARY'S DEPARTMENT.

ARCHIBALD CRAIG NOTMAN, as Registrar of Births and Deaths at Cohuna.
FRANCIS LEO MCSWEENEY, as Registrar of Births and Deaths at Bendigo.

LAW DEPARTMENT.

HENRY GEORGE McMINN, as a Commissioner for taking Declarations and Affidavits, pursuant to the provisions of the *Evidence Act 1928*.
GEORGE WILLIAM COPELAND, as an authorized witness, pursuant to the provisions of section 191 of the *Transfer of Land Act 1928*.
ALAN DOUGLAS SEAL, as an authorized witness, pursuant to the provisions of section 191 of the *Transfer of Land Act 1928*.
PATRICK DESMOND COLLINS, as a Sheriff's Bailiff and a Bailiff of the County Court at Ballarat.
JOHN HARRISON, as a Sheriff's Bailiff and a Bailiff of the County Court at Shepparton.

A. MAHLSTEDT,

Clerk of the Executive Council.

At the Executive Council Chamber,
Melbourne, 6th October, 1953.

Country Fire Authority Acts.

PERMISSION TO HOLD FIRE BRIGADE DEMONSTRATION.

IN pursuance with the provisions of section 79 (1) and (2) of the *Country Fire Authority Act 1944*, the Country Fire Authority has granted permission for the holding of a fire brigade demonstration as under:—

URBAN FIRE BRIGADES.

At Kerang on Monday, 1st February, 1954.

G. G. SINCLAIR,

Secretary.

7th October, 1953.

(Published in lieu of notice appearing on page 501 of *Government Gazette* No. 30, dated 18th February, 1953.)

Country Fire Authority Acts.

PERMISSION TO HOLD FIRE BRIGADE DEMONSTRATION.

IN pursuance with the provisions of section 79 (1) and (2) of the *Country Fire Authority Act 1944*, the Country Fire Authority has granted permission for the holding of a Fire Brigade Demonstration as under:—

RURAL FIRE BRIGADES.

At Dimboola on Tuesday, 1st December, 1953.

G. G. SINCLAIR,

Secretary.

12th October, 1953.

Transport Regulation Acts.

TRANSPORT REGULATION BOARD.

NOTICES OF PUBLIC HEARINGS.

NOTICE is hereby given that the applications made by the persons named below for licences to operate commercial passenger vehicles on the route or routes, or in the manner set out opposite their names, will be heard at a time and place to be communicated to the parties:—

Name and Address; Nature of Application.

CURRER, C. (trading as Black Rock Bus Service), Beach-road, Mentone; 6 commercial passenger vehicles, with seating capacity for 24, 23, 21, 26, 22, and 21 persons, and three commercial passenger vehicles, to be purchased, each with seating capacity for 30 persons, to operate as follows:—

Routes.

Between—

1. Mentone Railway Station and Sandringham Railway Station, via Como-parade, Balcombe-road, Plummer-road, Beach-road, and Melrose-street, with the following deviations:—(a) To Mentone Boys' Grammar School, via Mentone-parade and Venus-street, on any day from Monday to Friday inclusive of each, provided that not more than two return trips are made on each day, (b) to Mentone Picture Theatre via Balcombe-road.
2. Between Cheltenham Railway Station and Sandringham Railway Station, via Charman-road, Beach-road, and Melrose-street.
3. Between Cheltenham Railway Station and Melbourne Benevolent Home and/or the Heatherton Sanatorium, via Station-road, Council Parking Area, Railway-road, Charman-road, Chesterville-road, Bernard-street, Warrigal-road, and Kingston-road.
4. Between Cheltenham Railway Station and Mentone Pier, via Charman-road and Beach-road.
5. On a round route commencing and terminating at Cheltenham Railway Station, via Weatherall-road, Reserve-road, and Park-road.
6. To operate as a special service omnibus—(a) within a radius of 50 miles from the Mentone Railway Station, (b) within a radius of 50 miles from the Cheltenham Railway Station (subject to the cancellation of licence Nos. C.O.76, 209, 68, 69, A.2929, and one licence in the course of issue, and subject further to the withdrawal of service provided by the Victorian Railways Commissioners between Sandringham Railway Station and corner of Keys-street and Beach-road, Beaumaris, via Beach-road).

NOTICE is hereby given that the applications made by the persons named below for licences to operate commercial passenger vehicles on the route or routes, or in the manner set out opposite their names, will be heard at a time and place to be communicated to the parties:—

Name and Address; Nature of Application.

MCKENNA, K., 46 Lillimur-road, Ormond, and W. B. HOCKING, 25 Frederick-street, Ormond; application for variation of M.O. licence Nos. M.O.94, 95, 96, and Sub. 15, Route 64A (Ormond-Oakleigh) to reduce existing minimum service of 20 minutes to 30 minutes after 8 p.m. Mondays to Fridays and Public Holidays, and after 6 p.m. Sundays, and between 8.30 p.m. and 10.30 p.m. Saturdays, also first bus on Saturdays and Public Holidays to commence approximately an hour later than at present. *Note.*—New time-table to operate as submitted, including the foregoing alterations.

DEVESON, F. A., 5 Cooper-street, Essendon; application for variation of all M.O. licences for Route 48A (Moonee Ponds-Strathmore) to include the ability to operate extension (b) commencing at the corner of Puckle-street and Mount Alexander-road, Moonee Ponds, via Mount Alexander-road, Buckley-street, Russell-street, Napier-street, Loeman-street, Grammar-street, Bournian-avenue, Uplands-road, Napier-street, thence via normal route.

Time-table on Extension (b).

Minimum service: 30 minutes, 7 a.m. to 11.30 p.m., Week-days and Saturdays.

Minimum service: 30 minutes, 1 p.m. to 11.30 p.m., Sundays and Public Holidays.

Fares to be Charged.

Any one section, 4d.
Any two sections, 6d.
Through fare, 7d.

Note.—The applicant proposes to introduce an additional vehicle into service if the application be granted.

SMALLMAN, J., 159 Aberdeen-street, Newtown, Geelong; 1 commercial passenger vehicle, with seating capacity for five persons, to operate as an urban private hire car, with the proviso that the vehicle shall be ordered or be bespoken from 159 Aberdeen-street, Newtown, Geelong.

EASTGATE, R., 47 Fairview-avenue, Newtown, Geelong; 1 commercial passenger vehicle, with seating capacity for five persons, to operate as an urban private hire car, with the proviso that the vehicle shall be ordered or be bespoken from Geelong Radio Cabs.

PELAZZO, M., 14 Pitt-street, Carlton; 1 commercial passenger vehicle, with seating capacity for five persons, to operate as a metropolitan taxi cab (subject to the cancellation of metropolitan taxi licence No. M.T.1034, at present held by N. R. Howard).

WILLIS, A. H., 66 Rennie-street, Coburg; 1 commercial passenger vehicle, with seating capacity for five persons, to operate as a metropolitan taxi cab (subject to the cancellation of metropolitan taxi licence No. M.T.459, at present held by H. Kelleher, 4 Bellevue-street, West Coburg). *Note.*—This replaces application gazetted on 30th September, 1953, in the name of A. H. White.

FINCH, R. O., 663 Hawthorn-road, East Brighton; 1 commercial passenger vehicle, with seating capacity for five persons, to operate as a metropolitan private hire car, to be bespoken from South Suburban Radio Cars, 771 Glenhuntingly-road, Glenhuntingly (subject to the cancellation of metropolitan private hire licence No. M.H.825, operational address, Melbourne Taxis, Bridge-road, Richmond, at present held by B. F. McLaren).

GREEN, W. G., 13 Charles-street, Burwood; 1 commercial passenger vehicle, with seating capacity for five persons, to operate as a metropolitan private hire car, to be bespoken from Embassy Private Hire Depots approved by the Board (subject to the cancellation of metropolitan private hire licence No. M.H.559, operational address, 28 Darling-street, East Melbourne, at present held by Stanley Auto Service Pty. Ltd.).

O'DEA, J., & T. BARKER (trading as Flemington Bridge-Essendon Bus Service), 207 Dawson-street, West Brunswick; application for variation of licence Nos. M.O.425, 426, 427, Route 39 (Flemington Bridge-Essendon), to delete all time-tables as prescribed and to operate instead a minimum service:—

30 minutes, 6.50 a.m.—6.30 p.m. Week-days.

30 minutes, 8 a.m.—1 p.m. Saturdays.

No service Sundays or Public Holidays.

Note.—If the application be granted, the service will be maintained with two vehicles instead of three.

BRUNSWICK-WESTGARTH BUS SERVICE, 6 Appleby-crescent, West Brunswick; application for variation of M.O. licence Nos. 206, 146, 403, 395, 195, 196, Route 34 (Brunswick-Westgarth) to delete that portion of the route Passfield-street and Balfe-crescent, and to operate from terminus at corner of Dawson and Allard-street extension (a) via Moule, Union, and New streets, Brunswick and Ormond roads, Myrnong-crescent, Baroda, Cashmere, Mangalore streets, Mt. Alexander-road, Wellington and Norwood streets, and Railway-place terminus. Returning via Racecourse-road and Wellington-street.

Fares to be Charged.—Any one section, 4d. Each additional section, 1d. Through fare, 1s.

Sections on Extension.—

1. Melville-road to corner New-street and Brunswick-road.
2. Corner New-street and Brunswick-road to corner Cashmere and Mangalore streets.
3. Corner Cashmere and Mangalore streets to Railway-place, Newmarket Station, east side.

Time-table.

Minimum service: Week-days, 30 minutes, 6.30 a.m. to 11.30 p.m.

Saturdays, 30 minutes, 6.30 a.m. to 11.30 p.m.

Sundays, 30 minutes, 1 p.m. to 11 p.m.

AMBASSADOR HIRE SERVICES PTY. LTD., 27 Little Bourke-street, Melbourne; 3 commercial passenger vehicles, each with seating capacity for five persons, to operate as metropolitan private hire cars, to be bespoken from 27 Little Bourke-street, Melbourne (subject to the cancellation of metropolitan private hire licence Nos. M.H.448, M.H.449, and M.H.580, operational address, 27 Little Bourke-street, Melbourne, at present held by A. H. and F. G. Capp).

AMBASSADOR HIRE SERVICES PTY. LTD., 27 Little Bourke-street, Melbourne; 1 commercial passenger vehicle, with seating capacity for five persons, to operate as a metropolitan private hire car, to be bespoken from 27 Little Bourke-street, Melbourne (subject to the cancellation of metropolitan private hire licence No. M.H.903, operational address 22 Goodwin-street, Preston, at present held by A. H. Capp).

CURRER, C. (trading as Black Rock Bus Service), 379 Beach-road, Mentone; application for one commercial passenger vehicle, with seating capacity for 21 persons, to operate as an additional vehicle on routes operated by Black Rock Bus Service, under the same terms and conditions of licence Nos. C.O.68, 69, 76, 209, 995.

NOTICE is hereby given that the applications made by the persons named below for licences to operate commercial passenger vehicles on the route or routes, or in the manner set out opposite their names, will be heard at a time and place to be communicated to the parties:—

Name and Address; Nature of Application.

LANE, A. L. (trading as Lane's Taxi Service), 159 Raglan-parade, Warrnambool; application for renewal of licence No. C.T.683 (expiring 18th December, 1953) authorizing operations as follows:—(a) At separate and distinct fares within a radius of 6 miles from Warrnambool, (b) private hire rights within a radius of 50 miles from Warrnambool Post Office.

MARSHALL, C. A., & R. W. HILL (trading as Upper Beaconsfield Coach Service), Upper Beaconsfield; application for variation of licence Nos. C.O.604 and 611 to include the ability to operate between Upper Beaconsfield and Dandenong, via Emerald-road, Beaconsfield, and Princes Highway.

Time-table.

Monday to Friday.

Depart 6.45 a.m. Upper Beaconsfield.
Depart 7.20 a.m. Dandenong.
Depart 5.00 p.m. Upper Beaconsfield.
Depart 5.35 p.m. Dandenong.

MAHER, M. J., Belmore-street, Yarrowonga; 1 commercial passenger vehicle, with seating capacity for five persons, to be purchased, to operate as follows:—(a) At separate and distinct fares within a radius of 5 miles of Yarrowonga Post Office, (b) under private hire conditions within a radius of 50 miles of Yarrowonga Post Office.

MARYSVILLE TOURS PTY. LTD., Marysville; application for variation of licence No. T.O.51 to include the ability to operate for the carriage only of persons residing at any guest houses in Marysville owned by the applicant, i.e., Marylands, Mary Lyn, Mary Meadows, and Kerami, under charter conditions, within a radius of 50 miles of Marysville Post Office, subject that no journeys shall travel closer to Melbourne than beyond Healesville.

MARYSVILLE TOURS PTY. LTD., Marysville; application for variation of licence No. T.O.51 to include the ability to add to paragraph (a) of additional conditions document the following guest houses owned by the applicant, Mary Meadows and Kerami.

PELL, M. & P. (trading as The Lakes Taxi Service), Marine-parade, Lakes Entrance; 1 commercial passenger vehicle, with seating capacity for five persons, to operate as follows:—(a) At separate and distinct fares within a radius of 5 miles of Lakes Entrance Post Office, (b) under private hire conditions within a radius of 50 miles of Lakes Entrance Post Office (subject to the cancellation of licence No. A.655, at present in the name of B. B. Hipgrave).

THOMPSON, H. E. (trading as H. E. Thompson Motors), corner Cranbourne and Boundary roads, Langwarrin; 1 commercial passenger vehicle, with seating capacity for five persons, to be purchased, to operate as follows:—(a) At separate and distinct fares within a radius of 5 miles of Langwarrin Post Office, (b) under private hire conditions within a radius of 50 miles of Langwarrin Post Office.

PELL, M. & P. (trading as The Lakes Taxi Service), Marine-parade, Lakes Entrance; 1 commercial passenger vehicle, with seating capacity for four persons, to operate as follows:—(a) At separate and distinct fares within a radius of 5 miles of Lakes Entrance Post Office, (b) as a touring omnibus on the following day tours:—

1. Lakes Entrance to Buchan, via Princes Highway East and Nowa Nowa, and return to Lakes Entrance via the Buchan-Bruthen road, Colquhoun, and Forest South. Fare 10s.

2. Lakes Entrance to Bruthen via Swan Reach, thence along the east bank of the Tambo River, returning to Lakes Entrance via Bush-road west of Tambo River to Swan Reach, thence via the Princes Highway. Fare 5s.

3. Lakes Entrance on a round route proceeding west to Swan Reach, then south along the east bank of Tambo River to Metung, returning via Forrest-road, Nyerinelang and Kalimna, back to Lakes Entrance. Fare, 5s.

4. Lakes Entrance on a round route proceeding east along Princes Highway to Lake Tyers-road, thence south-east along the same road as far as Lake Tyers, returning to Lakes Entrance via the same route. Fare, 6s.

5. Lakes Entrance on a round route, via Princes Highway, Nowa Nowa, Orbost, thence along east bank of Snowy River to Marlo, returning to Lakes Entrance by the same route. Fare 12s. 6d. (subject to the cancellation of licence No. A.653, at present in the name of B. B. Hipgrave, Lakes Entrance).

MARSHALL, C. A. & R. W. HILL (trading as Upper Beaconsfield Coach Service), Upper Beaconsfield; application for variation of licence Nos. C.O.611 and 604 to include the ability to operate between Upper Beaconsfield and Caulfield, Flemington, and Moonee Valley Racecourses, Melbourne and Metropolitan Football Grounds, and the Melbourne Showgrounds, via Emerald-road, on Saturdays and Public Holidays only, subject that on journeys to Melbourne no passengers shall be picked up at any place other than between and including a point south of Dewhurst Public Hall and Cardinia Hotel, and on journeys from Melbourne no passengers shall be set down at any place other than between Cardinia Hotel and the said point south of Dewhurst State School.

Time-table.

Depart 10.45 a.m. Upper Beaconsfield.
Arrive 6.15 p.m. (approx.) Upper Beaconsfield.

MARSHALL, N. R. & R. W., & I. L. SMITH (trading as Kyneton Hire Car Service), Lauriston-street, Kyneton; 1 commercial passenger vehicle, with seating capacity for five persons, to operate as follows:—(a) At separate and distinct fares within a radius of 5 miles of Kyneton Post Office, (b) under private hire conditions within a radius of 50 miles of Kyneton Post Office (subject to the cancellation of licence No. C.T.370, at present in the name of G. J. Smith, Kyneton).

WISEMAN, I. M., Anzac-road, Trafalgar; 1 commercial passenger vehicle, with seating capacity for five persons, to operate as follows:—(a) At separate and distinct fares within a radius of 5 miles of Trafalgar Post Office, (b) under private hire conditions within a radius of 50 miles of Trafalgar Post Office (subject to the cancellation of licence No. C.T.13, at present in the name of D. M. Mitchell, Trafalgar).

MERRETT, G. E., 167 Nelson-street, Nhill; 1 commercial passenger vehicle, with seating capacity for 29 persons, to operate as follows:—(a) for the carriage of school children only between Netherby and the Nhill High School, under contract to the Education Department, (b) as a country special service omnibus, subject to all regulations appertaining to such operations and subject that journeys undertaken commence within a radius of 10 miles of Nhill Post Office.

MERRETT, G. E., 167 Nelson-street, Nhill; 1 commercial passenger vehicle, with seating capacity for 27 persons, to operate as follows:—(a) For the carriage of school children only between Blackheath and the Horsham High School, under contract to the Education Department, (b) as a country special service omnibus, subject to all regulations appertaining to such operations and subject that journeys undertaken commence within a radius of 10 miles of Nhill Post Office.

ANDREW, R. D., Johnson-street, Maffra; 1 commercial passenger vehicle, with seating capacity for four persons, and one commercial passenger vehicle, to be purchased, to operate as follows:—(a) For the carriage of passengers, mails, newspapers, and parcels on the following routes:—(1) Within a radius of 5 miles of the Maffra Post Office, (2) between Maffra Post Office and Maffra Railway Station, (b) at separate and distinct fares between Maffra and the following places, viz.:—Kennedy's Bridge, Knight's Corner, Vardey's Lane, and Lambrecht's Corner, (c) under private hire conditions within a radius of 50 miles of Maffra Post Office (subject to the cancellation of licence Nos. C.T.409 and C.T.449, at present in the name of E. W. Johnson, Maffra).

ANDREW, R. D., Johnson-street, Maffra; 1 commercial passenger vehicle, with seating capacity for five persons, to be purchased, to operate as follows:—(a) For the carriage of passengers, mails, newspapers, and parcels on the following routes:—(1) Between the Maffra Post Office and the Maffra Railway Station, (2) from the Maffra Post Office on a round route via Backwater-road over Kennedy's Bridge, thence via Knight's Corner, Vardy's Lane, and Riverslea-road to Maffra, (b) under private hire conditions from the licensee's place of business at Maffra to places throughout Victoria (subject to the cancellation of licence No. C.O.906, at present in the name of E. W. Johnson, Maffra).

ANDREW, R. D., Johnson-street, Maffra; 1 commercial passenger vehicle, with seating capacity for five persons, to operate as follows:—(a) At separate and distinct fares within a radius of 5 miles of Maffra Post Office, (b) under private hire conditions within a radius of 50 miles of Maffra Post Office (subject to the cancellation of licence No. C.T.111, at present in the name of E. W. Johnson, Maffra).

MERRETT, G. E., 167 Nelson-street, Nhill; 1 commercial passenger vehicle, with seating capacity for 29 persons, to operate as follows:—(a) For the carriage of school children only between Detpa and Nhill High School, under contract to the Education Department, (b) for the carriage of school children only on a round route from Nhill State School, thence via Nelson, Victoria, Leahy, and Woodward streets back to Nelson-street, (c) as a country special service omnibus, subject to all regulations appertaining to such operations and subject that journeys undertaken commence within a radius of 10 miles of Nhill Post Office, (d) as a touring omnibus on the following day tours:—

1. Nhill to Lake Hindmarsh, via Lorquon. Fare, 6s.
2. Nhill to Hall's Gap, via Horsham and Stawell, and return via Wartook and Horsham. Fare 22s. 6d.
3. Nhill to Green Lake, Horsham, via Dimboola. Fare 12s. 6d.
4. Nhill to Wimmera River and Picnic-road, Dimboola. Fare, 6s.
5. Nhill to Jeparit. Fare, 6s.

APPPLICATIONS for licences to operate commercial passenger vehicles, with seating capacity for five persons, for the carriage of passengers throughout Victoria, otherwise than at separate and distinct fares for each passenger:—

MERRETT, G. E., 167 Nelson-street, Nhill.

MARSHALL, N. R. & R. W., & I. L. SMITH (trading as Kyneton Hire Car Service), Lauriston-street, Kyneton (subject to the cancellation of licence No. C.H.221, at present in the name of G. J. Smith, Kyneton).

APPPLICATION for renewal of private hire licence, expired in February, 1953:—

POTTER, H. W., 11 Narracan-avenue, Yallourn; P.H.1830.

APPPLICATION for renewal of private hire licence, expiring in December, 1953:—

POPE, T. (trading as Pope's Consolidated Bus Lines), Timboon; C.H.72.

NOTICE is hereby given that the applications made by the persons named below for licences to operate the commercial goods vehicles on the route or routes, or in the manner set out opposite their names, will be heard at a time and place to be communicated to the parties concerned:—

Name and Address; Nature of Application.

ARMSTRONG TRANSPORT, 533 Heidelberg-road, Fairfield; 1 commercial goods vehicle (200 cwt.) to operate from and to Melbourne to and from the Victorian-New South Wales border *en route* to and from Finley, Jerilderie, and Berrigan—general goods.

BORGIA BROS., 253 Gouger-street, Adelaide, S.A.; 1 commercial goods vehicle (200 cwt.) to operate—(a) from the South Australian-Victorian border *en route* from Adelaide to Melbourne for the carriage of macaroni and spaghetti, (b) from Melbourne to the Victorian-South Australian border *en route* to Adelaide for the carriage of own cheese.

BLACKWOOD, E. C., PRY. LTD., 7 Morrell-street, Wangaratta; 1 commercial goods vehicle (65 cwt.) to operate within a radius of 50 miles of Wangaratta in the course of business as "paper merchants"—paper bags, wrappings, twine, and stationery.

CHIEW, L. G., 97 Rowan-street, Bendigo; 1 commercial goods vehicle (60 cwt.) to operate within a radius of 100 miles of Bendigo, but excluding the metropolitan area of Melbourne, in the course of business as "builder"—tools of trade, scaffolding, and material incidental to trade.

DUNSTAN, A., & SONS, 1-7 Tallangatta-road, Wodonga; 1 commercial goods vehicle (360 cwt.), timber jinker, to operate—(a) from the Forests Commission's lease at Mt. Wills to applicants' sawmills at Eskdale—logs, (b) from applicants' sawmills at Eskdale to applicants' timber yards at Wodonga and the railway stations at Wodonga and Albury—sawn timber.

FOWLER, R., LTD., Thomastown; application to authorize carriers to distribute sanitary earthenware to country districts throughout the State of Victoria.

FOYSTER, D. W., & L. H. OAKLEY, 4 Hurley-street, Ballarat; 1 commercial goods vehicle (95 cwt.) to operate—(a) within a radius of 25 miles of Ballarat—general goods, (b) within a radius of 50 miles of Ballarat—fencing posts, strainers, droppers, and firewood.

MITCHELL & CO. PRY. LTD., Cross-street, West Footscray; 1 commercial goods vehicle (12 cwt.) to operate throughout the State of Victoria in the course of business as agricultural implement manufacturers—tools, spare parts, and material incidental to servicing agricultural machinery.

PASSIONA AERATING CO. (MELB.) PTY. LTD., 312 Toorak-road, Burwood; 1 commercial goods vehicle (141 cwt.) to operate in the course of business as "aerated water manufacturers"—(a) within a radius of 50 miles of Melbourne, (b) from and to Melbourne to and from Ballarat and Daylesford and places *en route*—aerated waters and empty returns.

PERKINS DIESEL (OVERSEAS) PTY. LTD., Princes Highway, Dandenong; 1 commercial goods vehicle (12 cwt.) to operate throughout the State of Victoria for instructional and exhibition purposes of diesel engines—sectionalized engine, spare parts, tools of trade, and replacement engines.

SHEAFFER, W. A., PEN CO. (AUST.) PTY. LTD., Mount-street, Heidelberg; 1 commercial goods vehicle (5 cwt.) to operate throughout the State of Victoria in the course of business as "fountain pen manufacturers" and associated stationery suppliers—sample fountain pens for presentation and the incidental delivery of small quantities of skrip ink and adhesives to resellers.

STOTT & UNDERWOOD LTD., 411 Lonsdale-street, Melbourne; 1 commercial goods vehicle (12 cwt.) to operate throughout the State of Victoria in the course of business as "manufacturers of office and accounting machines"—tools, spare parts, and material for servicing such machines, and spare machines for replacement purposes when workshop repairs are necessary.

NOTICE is hereby given that the applications made by the persons named below for renewal of licences to operate the commercial goods vehicles on the route or routes, or in the manner set out opposite their names, will be heard at a time and place to be communicated to the parties concerned:—

Name and Address; Present Franchise; Licence No.; Date of Expiry.

ATYEO, G. F., & SONS, 202 Flinders-street, Melbourne; throughout the State of Victoria in the course of business as "monumental masons"—finished masonry, sand, screenings, tools of trade, and other materials incidental to the erection of monuments at cemeteries; D.5860; 30th January, 1954.

DYSON, M. L., Broadwater—(a) within a radius of 20 miles of Broadwater—general goods, (b) from and to places situate within a radius of 10 miles from Broadwater to and from the towns or townships which are situate on the main railway lines between Warrnambool and Port Fairy, Warrnambool and Hamilton, and Portland and Hamilton respectively—general goods, (c) from and to places situate in the area as defined in paragraph (a) above to and from places situate within a radius of 50 miles of Broadwater—live stock; D.5785; 5th December, 1953.

LITTLE, E. J., 298 Beach-road, Black Rock; throughout the State of Victoria to operate as a breakdown truck for the purpose of towing wrecked or disabled vehicles; D.5835; 18th December, 1953.

NATIONAL CASH REGISTER CO. PTY. LTD., 124 Russell-street, Melbourne—(a) throughout the State of Victoria for the purpose of installation, servicing, and maintaining cash registers—spare parts, tools of trade, and material incidental to own contracts, provided that not more than two cash registers for loan or temporary replacement be carried, (b) from and to the nearest or most convenient railway station to clients for installation only—new cash register machines; D.5900, D.5901, D.5902, D.5903, D.5904; 30th January, 1954.

POWELL, J. W., 51 Molyneux-street, Warracknabeal—(a) within a radius of 20 miles of Sheep Hills and from Sheep Hills to Donald—general goods, (b) between places situate within an area bounded by the following towns:—Serviceton, Yanac, Jeparit, Brim, Birchip, Donald, St. Arnaud, Rupanyup, Horsham, and Edenhope—live stock, in the course of business as “live stock dealer”; D.5632; 5th September, 1953.

SCOTT, A., Monbulk-road, Emerald; throughout the State of Victoria in the course of business as “marine dealer”—marine stores; D.5847; 18th December, 1953.

WERRIBEE CARRYING Co., 42 Synott-street, Werribee—(a) within a radius of 25 miles from Melbourne—general goods, (b) within a radius of 50 miles from Melbourne—household furniture; D.5933; 30th January, 1954.

NOTICE is hereby given that the application made by the company named below for renewal of licence with variation to operate the commercial goods vehicle on the route or routes, or in the manner set out opposite their names, will be heard at a time and place to be communicated to the parties concerned:—

*Name and Address; Present Franchise;
Amended Conditions; Licence No.; Date of Expiry.*

DERITE FIBROUS PLASTER CO. PTY. LTD., Ingles-street, Port Melbourne; throughout the State of Victoria in the course of business as “fibrous plaster sheet manufacturers”—fibrous plaster sheets and mouldings; throughout the State of Victoria in the course of business as “fibrous plaster sheet manufacturers”—fibrous plaster sheets and mouldings, scaffolding, battens, nails, sisal, and sufficient plaster for the erection and completion of contracts; D.5876; 30th January, 1954.

Notice of any objection should be forwarded to reach the Secretary of the Board not later than Wednesday, 28th October, 1953.

E. V. FIELD,
Secretary.

Exhibition Buildings, Rathdown-street, Carlton, 12th October, 1953.

Medical Act 1928—Part II. (Dentists).

DENTAL BOARD OF VICTORIA.

REGULATIONS RELATING TO ELECTIONS.

THE Dental Board of Victoria, with the consent and approval of the Governor in Council, doth, by virtue of the powers vested in it by the *Medical Act 1928, Part II.*, hereby amend the Regulations made by the Dental Board of Victoria on the fifteenth day of June, One thousand nine hundred and thirty-two, and approved by the Governor in Council on the second day of August, One thousand nine hundred and thirty-two, as follows, viz.:—

1. In Regulation 2 of the said Regulations for the words “from time to time” there shall be substituted the words “prior to each and every election”.

2. In Regulation 4 of the said Regulations for the words “In the month of February” there shall be substituted the words “In the months of January and February”.

3. In Regulation 6 of the said Regulations for the words “twenty-one days’ notice” there shall be substituted the words “twenty-eight days’ notice”; and for the words “not less than fifteen days nor more than eighteen days” there shall be substituted the words “not less than twenty-one nor more than twenty-four days”.

4. In Regulation 9 of the said Regulations, the words “enclosed in” (where first appearing) shall be repealed; and for the words “Ten o’clock” there shall be substituted the words “Eleven o’clock”.

5. In Regulation 10 of the said Regulations for the words “Voting Papers Invalid If Unsigned” there shall be substituted “Voting Papers When Invalid”.

The foregoing Regulations were made and passed at a meeting of the Dental Board of Victoria, held on the eighth day of June, One thousand nine hundred and fifty-three.

H. ROY CASH, L.D.S., B.D.Sc., D.D.S., President.
P. E. JOSKE, Q.C., M.A., LL.M., Registrar.

The seal of the Dental Board of Victoria was affixed hereto in the presence of Henry Roy Cash, President of the Board, by order of the Board, dated the eighth day of June, One thousand nine hundred and fifty-three.

(SEAL) H. ROY CASH, L.D.S., B.D.Sc., D.D.S., President.
P. E. JOSKE, Q.C., M.A., LL.M., Registrar.

Approved by the Governor in Council,
6th October, 1953.

A. MAHLSTEDT,
Clerk of the Executive Council.

CONTRACTS ACCEPTED.—(Series 1953-54.)

VICTORIAN RAILWAYS.

36. Furnace oil, &c., at rates (Contract 59812).—The Commonwealth Oil Refineries Ltd. 37. Capstan lathe and equipment, at rates (Contract 59746).—Gilbert Lodge and Co. Ltd. 38. Electric lamps, at rates (Contract 59870).—A. J. Ferguson and Co. Pty. Ltd. 39. Slotting machine, at £1,787 each (Contract 59959).—McPherson's Ltd. 40. Platform type industrial truck, at £325 each, plus cartage (Contract 59962).—Cook, Harrison, and Co. Pty. Ltd. 41. Hydraulic press and accessories, for £430, less 10 per cent. (Contract 59970).—Replacement Parts Pty. Ltd. 42. Electric lamps, at rates (Contract 59973).—Electran Pty. Ltd. 43. Electric lamps, at rates (Contract 59974).—R. E. Jeffries Pty. Ltd. 44. Electric lamps, at rates (Contract 59975).—Lawrence and Hanson Electrical (Victoria) Pty. Ltd. 45. Electric lamps, at rates (Contract 59976).—Brooks Robinson Ltd. 46. Electric lamps, at rates (Contract 59977).—Warburton Franki (Melb.) Ltd. 47. Electric lamps, at rates (Contract 59978).—Wm. Adams and Co. Ltd. 48. Electric lamps, at rates (Contract 59979).—Condor Lamps (A/sia) Pty. Ltd. 49. Electric lamps, at rates (Contract 59980).—Siemens (Aust.) Pty. Ltd. 50. Electric lamps, at rates (Contract 59981).—Australian General Electric Pty. Ltd. 51. Electric lamps, at rates (Contract 59982).—British General Electric Co. Pty. Ltd. 52. Electric lamps, at rates (Contract 59984).—H. Rowe and Co. Pty. Ltd. 53. Electric lamps, at rates (Contract 59983).—Noyes Bros. (Melbourne) Ltd.

By order of the Victorian Railways Commissioners,

N. QUAIL, Secretary. 9.10.53.

PUBLIC WORKS.

1183. Bunding, State School No. 1693, (4) new porch, general repairs, and painting, £525 15s.—W. T. Bedson. 1184. Burwood East, State School No. 454, (18) external painting to school and residence, £280.—E. G. Bates. 1185. Ballarat, Teachers' College Hostel, (3) supply and installation of oil-firing equipment for central heating and hot-water boilers, £866 7s.—McLean and Boakes. 1186. Balwyn, High School, (8) supply, delivery, installation, and testing of a warm air heating/ventilation system, £3,800.—H. W. Creek and Sons Pty. Ltd. 1187. Ballarat, Mental Hospital, (3) supply and installation of May-Oatway fire detectors, £2,709.—May-Oatway Fire Alarms Pty. Ltd. 1188. Burnley, Agriculture Department, Burnley Gardens, (4) installation of septic tank, £759.—Egeberg Building and Plumbing Service. 1189. Cudgee, State School No. 105, (2) stripping roof of slates and recovering with corrugated galvanized iron, No. 2 skylights, £480.—R. Turland. 1190. Coburg, Pentridge Gaol, Wire-netting Factory, (6) supply and installation of structural steelwork, £345.—Johns and Waygood Limited. 1191. Camberwell, Girls' Secondary School, (4) erection of external stairs, £598.—E. F. Godward. 1192. Camberwell East, Girls' Secondary School, (7) enclosing of verandahs and balconies at school, £2,599.—Netherton and Hughes. 1193. Camberwell East, Girls' School, (8) renewal of water service, £265.—H. and A. Tinsley. 1194. Collingwood, State School No. 2462, (6) repairs to out-offices and provision of additional drinking facilities, £259 10s.—A. Crewther and Son. 1195. Collingwood, Girls' Secondary School, (7) provision and fixing of sinks and cupboards to scullery, cookery, and laundry, £373.—R. B. Hallett. 1196. Dandenong, High School, (5) repairs to balcony and verandah, £595.—D. Tincknell. 1197. Dandenong, State School No. 4217, (4) repairs and painting, £555.—R. Bryant. 1198. Eagle Point, State School No. 3215, (4) repairs and painting, £290.—C. S. Angus. 1199. Footscray, High School, (4) erection of timber-framed concrete veneer school, £38,150.—Hurse Timlock Pty. Ltd. 1200. Footscray, High School, (7) supply, delivery, installation, and testing of a warm air heating/ventilation system, £3,835.—Andrew J. Robertson and Co. Pty. Ltd. 1201. Glenroy, High School, (6) electrical installation in Section 1, £1,995.—E. S. and H. J. Hudson. 1202. Greenvale, Sanatorium, (4) alterations to store-rooms, £104.—W. S. Wood. 1203. Burnley, State School No. 2853, (2) additional light and power outlets, £470 4s.—H. F. Amos. 1204. Horsham, High School, (3) electrical installation in "Bristol" prefabricated workshop blocks, £4,360.—B. Yallouz.

1205. Heidelberg, State School No. 294, (4) additional boys' and girls' out-office accommodation, £1,012 15s. 6d.—H. and A. Tinsley.

1206. Kensington, State School No. 2374, (1) conversion of class-room to science room, £299 10s. 6d.—H. and A. Tinsley.

1207. Kew, Mental Hospital, Ward M.6, (1) sewerage works, &c., £352.—Egeberg Building and Plumbing Service.

1208. Kew, Mental Hospital, (5) electrical installation for Staff Mess Room, Children's Cottages, £1,122.—G. Wilkie Electrical Co.

1209. Kew, "Glendonald" School for Deaf Children, (7) sewerage drains for new buildings, £1,056.—M. G. Brown Pty. Ltd.

1210. McKinnon, High School, (11) first section of a concrete veneer timber-framed High School, £36,908.—A. V. Jennings Construction Co. Pty. Ltd.

S. MERRIFIELD, Commissioner of Public Works. 6.10.53.

1211. Melbourne, Audit Office, Old Treasury Building, (3) supply of three visible record cabinets, £143 9s. 6d.—McCarron, Bird, and Co.

1212. Shepparton, Technical School, (2) supply of furniture, £101 18s. 3d.—Cherry and Sons Pty. Ltd.

1213. Port Melbourne, Public Works Department Store-yard, (1) supply of 300 guards for kerosene heaters for schools, £637 10s.—A. Jones and Co.

1214. Moe, High School, (1) supply of refrigerator, £110 6s.—Eckersley and Sons Pty. Ltd.

1215. Hampton, High School, (1) supply of refrigerator, £110 6s.—Eckersley and Sons Pty. Ltd.

1216. Eltham, High School, (1) supply of refrigerator, £110 6s.—Eckersley and Sons Pty. Ltd.

1217. Melbourne, State Offices, (1) supply of brown coal, £165 4s. 1d.—State Electricity Commission of Victoria.

1218. St. Kilda, (1) supply of timber (Harbor works), £227 8s. 1d.—Mount Alfred Timber Mills.

1219. Various, Jetties, Flinders, Rye, Hastings, and Brookes, (1) supply of timber, £236 5s. 1d.—Mount Alfred Timber Mills.

1220. Port Melbourne, Public Works Department Depot, (1) supply of propelling chains, &c., £103 16s. 11d.—Ruston and Hornsby (Aust.) Pty. Ltd.

1221. South Melbourne, Public Works Department Store-yard, (1) supply of stainless-steel sinks, £225.—L. J. Morgan Pty. Ltd.

1222. Port Melbourne, Public Works Department Depot, (1) supply of iron, £450.—John Lysaght (Aust.) Pty. Ltd.

1223. Various, Jetties, Rye and Hastings, (1) supply of timber, £211 3s. 3d.—Mount Alfred Timber Mills.

1224. South Melbourne, Public Works Department Store-yard, (1) supply of pipes, £900.—Melbourne Pottery Co. Pty. Ltd.

1225. Mont Park, Mental Hospital, (1) supply of two trolleys, £130.—K. G. Luke (A/sia) Ltd.

1226. Ararat, Mental Hospital, (1) supply of heating stoves and flues, £217 10s. 6d.—Galliers and Klaerr Pty. Ltd.

1227. Sunbury, Mental Hospital, (1) supply of wood and metal-cutting machine, complete with motor, £144.—McPhersons Pty. Ltd.

1228. Snobs Creek, Fish Hatchery, (1) supply of stainless-steel woven wire, £148 15s.—Melbourne Wire Works.

1229. Essendon, High School, (1) supply of "Coldstream" refrigerator, £110 6s.—Eckersley and Sons Pty. Ltd.

1230. East Loddon, Consolidated School, (1) supply of bread slicer and fruit juice extractor, £195 17s. 6d.—Brice, Seale, and Slicer Co.

1231. Port Melbourne, Public Works Department Depot, (1) supply and fit one only Armstrong Holland double drum power control unit to crawler tractor, £889.—Victorian Industrial Sales and Service Pty. Ltd.

1232. Port Melbourne, Public Works Department Depot, (1) supply of corrugated iron, £147 9s. 4d.—John Lysaght (Aust.) Pty. Ltd.

1233. Coburg, Pentridge Gaol, (1) supply of galvanizing bath and J. bars, £129 10s.—Chapple Bros. Engineers Pty. Ltd.

1234. Essendon, Technical School, (1) supply of crucible furnace and motor blower, £126.—Gas and Fuel Corporation of Victoria.

1235. Horsham, High School, (1) supply of "Coldstream" refrigerator, £110 6s.—Eckersley and Sons Pty. Ltd.

1236. South Melbourne, Public Works Department Store-yard, (1) supply of stop cocks, £120 13s.—John Danks and Son Pty. Ltd.

1237. Sunbury, Mental Hospital, (1) supply of curled hair, £105.—Gunn and Hiskens Pty. Ltd.

1238. McKinnon, High School, (12) electrical installation in Section 1, £1,595 15s. 6d.—K. L. Day.

1239. Macleod, High School, (12) electrical installation in Section 1, £1,625 16s. 6d.—K. L. Day.

1240. Blackburn North, State School No. 4715, (5) supply and installation of central heating and hot-water service, £2,147.—W. E. Tuck.
1241. Moreland, State School No. 2837, (3) additional out-offices, £597.—J. P. and F. Kelly.
1242. Moreland, State School No. 4635, (5) external painting and repairs, new fuel shed, &c., £1,427.—J. and P. Oldman.
1243. Malvern East, State School No. 4139, (1) improvement in natural lighting, £287.—R. B. Hallett.
1244. Melbourne, 605 Flinders-street, Fisheries and Game Department, (6) conversion of strong room into a dark room and laboratory, &c., £1,476 15s.—J. G. Hill.
1245. Melbourne, Police Depot, St. Kilda-road, (8) renovations, £318 10s.—N. J. Clark.
1246. Melbourne, Sailors' Home, Siddley-street, (5) external repairs and painting, £1,356.—N. J. Clark.
1247. Melbourne, St. Kilda-road, Police Barracks, (1) repairs, £172 2s. 6d.—L. Keenan.
1248. North Shore, State School No. 4301, (5) conversion of army hut to class-room, £802.—E. A. Rookes.
1249. Preston, State School No. 4711, (9) electrical installation in new school, £269 14s. 9d.—H. F. Amos.
1250. Portland, State School No. 489, (3) repairs to gables and brickwork generally, £4,000.—J. A. Walsh.
1251. Rutherglen, Research Station, two residences, (4) supply and installation of two hot-water services, £282 16s.—R. J. Wilson.
1252. Rosebud, State School No. 2627, (2) removal and replacement of floor to washhouse and external painting, &c., £999.—Netherton and Hughes.
1253. Richmond, State School No. 1567, (3) renovations to Caretaker's Cottage, £484.—R. B. Hallett.
1254. Research, State School No. 2959, (5) restoration of fire-damaged building, £1,335 17s. 6d.—W. and D. Pitts and Son.
1255. Ringwood, High School, (12) first section of a concrete veneer timber-framed High School, £37,976 10s.—A. V. Jennings Construction Co. Pty. Ltd.
1256. Ringwood, High School, (13) electrical installation in Section 1, £1,567 16s. 6d.—K. L. Day.
1257. Springvale, High School, (7) erection of first section of new building, £38,409.—A. V. Jennings Construction Co. Pty. Ltd.
1258. Springvale, High School, (6) electrical installation in Section 1, £2,327 14s. 6d.—S. F. Chanter.
1259. Stawell, State School No. 502, (1) attention to weathered brickwork and name-plate, £349 18s.—R. H. Pyne.
1260. Skipton, State School No. 582, (5) residence, lining walls and ceilings, new wall bench and new bath, £488 17s. 3d.—J. White.
1261. Traralgon, State School No. 4699, (3) erection of "Hawksley" 6 class-room prefabricated unit, £7,285.—Leighton Pty. Ltd.
1262. Traralgon, State School No. 4652, (2) erection of "Hawksley" 6-room prefabricated unit, £7,245.—Leighton Pty. Ltd.
1263. Ultima, Police Station, (1) septic tank installation, £275.—G. Gatens.
1264. Yarrowonga, High School, (7) supply, delivery, installation, and testing of a warm air heating/ventilation system, £4,052.—J. H. Arnup and Co.
- S. MERRIFIELD, Commissioner of Public Works. 7.10.53.
1265. Numurkah, State School No. 2134, (4) renewal of floor to Sloyd Room, £109 2s.—K. A. Aitken.
1266. Melbourne, Taxation Building, (6) repairs to flat roofs, £453 16s.—Ormonoid Roofing and Asphalts Ltd.
1267. Wangaratta, State Public Offices, (1) maintenance of heating system, £164 12s.—Ross's Pty. Ltd.
1268. Yellingbo, State School No. 4705, (3) repairs, &c., to buildings and transport, and erection of out-offices from Big Pats Creek, £120.—A. McD. Essing.
1269. Yarram, State School No. 693, (6) external painting to residence, out-buildings, and garage (Union-street residence), £237 17s. 7d.—W. L. Gair.
1270. Mansfield, State School No. 1112, (3) renewal of electrical installation, £155.—K. L. Day.
1271. Essendon, Technical School, (1) electrical installation in two-room Bristol prefabricated building, £141 4s.—E. S. and H. J. Hudson.
1272. Geelong, "Matthew Flinders" Girls' School, (1) supply and installation of ceiling fans, £135.—S. N. Lythgo.
1273. Mont Park, Mental Hospital, (2) supply and installation of motors, carpenter's shop, £176 6s.—Barker and Taylor Pty. Ltd.
1274. Essendon, Technical School, (4) supply and installation of fluorescent units, £132 10s.—Coburg Electrical Service.
1275. Sunbury, Mental Hospital, (3) supply and installation of No. 7 clothes hoists, £122 10s.—A. Arnolds Fences Pty. Ltd.
1276. Bungaree, Police Station, (4) repairs and renovations, £138 10s.—H. J. Ashton.
1277. Sunbury, Mental Hospital, (4) painting of day room in Ward F.1, £166.—F. Thomas.
1278. Croydon North, State School No. 1992, (2) provision of glazed partition, £243.—P. H. White.
1279. Dousta Galla, State School No. 4708, (7) electrical installation in new school, £220 16s.—H. Butcher.
1280. Red Hill, Consolidated School, (1) manufacture of window sashes, £153 15s.—W. S. Neelands Pty. Ltd.
1281. Moorabbin, State School No. 1111, (1) eradication of white ants, £123 13s. 6d.—D. and W. Adams and Co. Pty. Ltd.
1282. Auburn South, State School No. 4183, (4) repairs and painting of caretaker's cottage, £151.—E. G. Kennedy.
1283. Golden Square, State School No. 1189, (5) electrical installation in Bristol prefabricated unit, £161.—L. J. Wilson.
1284. Harkaway, State School No. 1697, (6) installation of electric hot-water service, £139.—H. Rogasch.
1285. Melbourne, Boys' High School, (2) alterations and repairs to electrical installation, £218 7s. 6d.—Smith and Osborne.
1286. Framlingham, Settlement School, (2) erection of fencing and concrete paths, £138.—B. J. White.
1287. Northcote, High School, (1) supply of stackable chairs, £184 10s.—D. F. Cowan Pty. Ltd.
1288. Kew, Mental Hospital, (3) supply of bedspreads and curtains, £254 15s.—A. E. Hoad and Co.
1289. Kew, Mental Hospital, (1) supply of linoleum, £263 19s. 1d.—W. P. Murison.
1290. Kew, Mental Hospital, (3) supply of arm and easy chairs, £315 15s.—J. Quinsee.
1291. Geelong, High School, (4) supply of benches, £117 10s.—B. E. Purnell.
1292. Foster, High School, (5) supply of science benches, £109 15s.—Kennett Bros. and Rayner Pty. Ltd.
1293. French Island, Penal Settlement, (1) supply of furniture, £300 7s.—Homecomforts Pty. Ltd.
1294. French Island, Penal Settlement, (1) supply of linoleum and paper felt, £512 15s. 10d.—Anderson's Pty. Ltd.
1295. Kaniva, Consolidated School, (5) supply of furniture, £186 2s. 6d.—Kennett Bros. and Rayner Pty. Ltd.
1296. Nicholson, State School No. 1716, (4) general repairs and painting, £555 19s.—J. A. Anderson.
1297. Nanneella Estate, State School No. 3708, (5) school, residence and out-buildings, general repairs and painting, &c., £1,170.—J. C. Cardilini.
1298. Newlands, State School No. 4646, (1) erection of three timber pavilions, £4,740.—R. T. Keeble.
1299. Peechelba Township, State School No. 3105, (2) erection of bathroom at residence, £360.—E. V. Davidson.
1300. Rainbow, State School No. 3313, (1) new out-offices, £1,500.—A. Snell and Son.
1301. Royal Park, Mental Hospital, (4) renewal of water supply, £685.—J. G. Hill.
1302. Richmond, Technical School, (1) electrical installation, carpenter's shop, £414 15s.—W. T. Waterfall and Sons.
1303. Richmond, Technical School, (3) electrical installation for Junior Machine and Welding Shops, £452.—Prompt Electric Service.
1304. Seymour, State School No. 547, (2) erection of timber shelter pavilion, £742 16s.—Healesville Construction Co.
1305. Sale, Technical School, (2) renovations, &c., 8A and 8B Barkly-street, £389.—C. S. Angus.
1306. Sunbury, Mental Hospital, (1) electrical installation, £437 8s.—H. Butcher.
1307. Terang, State School No. 617, (5) external painting, including roof, £327 14s. 6d.—A. M. Weston.
1308. Traralgon, State School No. 4699, (9) supply, delivery, installation, and testing of a warm air heating/ventilation system, £1,410.—H. W. Creek and Sons Pty. Ltd.
1309. Traralgon, High School, (7) erection of school, £174,900.—J. J. Marr and Sons Pty. Ltd.
1310. Traralgon, High School, (5) electrical installation, £11,082.—L. R. W. Moss Pty. Ltd.
1311. Wodonga, Higher Elementary School, (3) repairs to flooring (white ant damage), £297.—Goynce and Dunstan.
1312. Warragul North, State School No. 4695, (2) new out-office block, drinking troughs and water services, £1,650.—H. J. Peagram.
1313. Broadmeadows, State School No. 982, (4) repairs and painting, £255 15s.—F. Thomas.
- S. MERRIFIELD, Commissioner of Public Works. 9.10.53.

1314. Altona, State School No. 3923, (2) general renovations and painting, £998 15s.—H. C. Goldberg.

1315. Brighton, Technical School, (3) electrical installation, £1,544.—F. L. Catterall.

1316. Balmattum, State School No. 743, (1) repairs and painting, £369.—F. J. McFarland.

1317. Beechworth, Training Prison, (3) renovations to Superintendent's and Senior Warden's Quarters, £475.—V. R. Gray.

1318. Balmarring, State School No. 1698, (3) general repairs, painting, &c., £478 10s.—M. L. J. Clota.

1319. Ballarat, Mental Hospital, (1) installation of thermostatic valves, £251 13s.—McLean and Boakes.

1320. Ballarat North, State School No. 4690, (3) electrical installation, £488.—S. J. Czynski.

1321. Buninyong, State School No. 1270, (5) repairs and painting, and provision of additional heating, £575 14s.—D. G. Brown.

1322. Blackwood North, State School No. 1636, (4) repairs, painting, and new out-offices, £461 12s. 6d.—H. H. Haynes.

1323. Balmoral, Group School, (2) removal of Gritjark school building to Balmoral and making good, £340.—P. J. Breen.

1324. Benalla, High School, (2) additions to the electrical installation, £385 15s.—K. B. Brown.

1325. Camperdown, High School, (3) erection of two (2) shelter pavilions, 35 feet x 20 feet, £1,050.—J. White.

1326. Dandenong, Technical School, (8) erection of first section of timber-framed concrete veneer school buildings, £59,500.—A. V. Jennings Construction Co. Pty. Ltd.

1327. Gama East, State School No. 3985, (2) general repairs, external painting, and fencing, £425.—F. E. Bardwell.

1328. Glenrowan, State School No. 1742, (2) erection of No. 1 shelter shed and No. 2 out-offices, £618 12s.—E. V. Davidson.

1329. Geelong, High School, (3) minor repairs, interior painting to school, and external painting to latest front additions, £1,867.—T. H. Pennant.

1330. Geelong, "Lunan" Teachers' College, (4) electrical installation in Craft and Woodwork Rooms, £294 16s.—Marsham and Hayes.

1331. Heatherton, Sanatorium, (1) renovations to kitchen and annexe, £300.—E. W. Stirling.

1332. Royal Park, Mental Hospital, (10) external repairs and painting of Female Acute Block, Female Convalescent Block, Kitchen and Concert Hall Block, £1,800.—E. W. Stirling.

1333. Horsham, High School, (2) erection and completion of "Bristol" prefabricated workshop buildings, £16,330.—Overseas Corporation (Aust.) Ltd.

1334. Janefield, Mental Hospital, (1) removal of hair-pin fence and replacement with 3 ft. 6 in. chain mesh fence (546 feet), £497.—A. Arnold's Fences Pty. Ltd.

1335. Kerang, State School No. 1410, (3) external painting and repairs, £1,054 16s.—Ross and Saunders.

1336. Laang, State School No. 1411 and residence, (2) repairs and renovations, and new skylights, £622 9s. 6d.—Fotheringham Bros.

1337. Mentone, Police Station, (1) damp-proofing and the provision of agricultural drains at the Sergeant's Quarters, £450 10s.—W. H. Young.

1338. Larundel, Mental Hospital, (1) installation of Bain Marie, £119 11s. 10d.—G. C. Kippe.

1339. Myrtleford, Tobacco Research Station, (3) new fencing, £423 12s.—E. Maxwell.

1340. Maryborough, State School No. 404, (1) removal and re-erection of shelter pavilions, repairs, and painting, £299.—W. G. Hart and Son.

1341. Narbethong, State School No. 3459, (5) extension of school building, new skylights, and painting, £1,326 12s.—Healesville Construction Co.

S. MERRIFIELD, Commissioner of Public Works.
12.10.53.

COMMITTEE OF CLASSIFIERS UNDER THE
TEACHING SERVICE ACT 1946.

IT is hereby notified that Mr. John George Cannon, Assistant Chief Inspector of Primary Schools, has been assigned the duties of Chief Inspector of Primary Schools for any period during which Mr. Ernest Boswell Pederick, Chief Inspector of Primary Schools, may be absent on leave or absent from Melbourne on official duty and that, during any period of such assignment, he will *ex officio* be a member of the Committee of Classifiers for the Primary Schools Division.

A. H. RAMSAY,
Director of Education.

Education Department,
Melbourne, 8th October, 1953.

COUNTY COURTS.

NOTICE is hereby given that County Courts will be held during the year 1954 at the under-mentioned places, on the days hereunder mentioned:—

ARARAT	Tuesday, 13th April. Tuesday, 28th September.
BAIRNSDALE	Wednesday, 3rd March. Tuesday, 27th July. Tuesday, 26th October.
BALLARAT	Tuesday, 16th February. Tuesday, 27th April. Tuesday, 18th May. Tuesday, 20th July. Tuesday, 14th September. Tuesday, 16th November.
BENDIGO	Tuesday, 9th March. Tuesday, 11th May. Tuesday, 13th July. Tuesday, 24th August. Tuesday, 19th October. Tuesday, 7th December.
COLAC	Tuesday, 9th March. Tuesday, 13th July. Wednesday, 1st December.
GEELONG	Tuesday, 2nd February. Tuesday, 6th April. Tuesday, 1st June. Tuesday, 3rd August. Tuesday, 5th October. Tuesday, 16th November.
HAMILTON	Thursday, 4th March. Wednesday, 16th June. Tuesday, 7th September.
HORSHAM	Tuesday, 23rd March. Wednesday, 16th June. Tuesday, 26th October.
KERANG	Tuesday, 6th April. Tuesday, 10th August. Wednesday, 1st December.
KORUMBURRA	Tuesday, 4th May. Tuesday, 17th August. Wednesday, 3rd November.
MARYBOROUGH	Tuesday, 11th May. Wednesday, 3rd November.
MELBOURNE	Tuesday, 2nd February. Monday, 1st March. Thursday, 1st April. Monday, 3rd May. Tuesday, 1st June. Thursday, 1st July. Monday, 2nd August. Wednesday, 1st September. Friday, 1st October. Monday, 1st November. Wednesday, 1st December.
MILDURA	Tuesday, 16th March. Tuesday, 17th August. Tuesday, 9th November.
SALE	Tuesday, 16th February. Tuesday, 4th May. Tuesday, 22nd June. Tuesday, 3rd August. Tuesday, 5th October. Tuesday, 14th December.
SHEPPARTON	Tuesday, 16th March. Tuesday, 1st June. Tuesday, 27th July. Tuesday, 7th September. Tuesday, 9th November.
WANGARATTA	Wednesday, 3rd February. Tuesday, 27th April. Tuesday, 22nd June. Tuesday, 24th August. Tuesday, 12th October. Tuesday, 14th December.
WARRAGUL	Tuesday, 23rd March. Tuesday, 18th May. Tuesday, 20th July. Tuesday, 14th September. Tuesday, 7th December.
WARRENAMBOOL	Tuesday, 9th February. Tuesday, 8th June. Tuesday, 19th October.

Except at Melbourne, Courts of Insolvency and Courts of Mines will be held on the days above mentioned, at such of the above-mentioned places as have been appointed for holding such courts.

By order of the Judges,

C. BRUMBY,
Registrar, County Court, Melbourne.

(This notice is in lieu of the notice published in the *Government Gazette*, dated 26th August, 1953, at page 4368.)

LAW DEPARTMENT.—ATTORNEY-GENERAL.
CURATOR OF CONVICT'S PROPERTY.

HIS Excellency the Administrator of the Government of the State of Victoria, by and with the advice of the Executive Council thereof, doth by Order made on the 6th day of October, 1953, pursuant to the provisions of section 576 of the *Crimes Act 1928*, direct that the custody and management of the property of the convict, Leslie Cribbes, be committed to George Edward Cribbes, of 20 Boronia-street, Canterbury, cartage contractor, as a curator hereby appointed in that behalf.

A. MAHLSTEDT,

Clerk of the Executive Council.

At the Executive Council Chamber,
Melbourne, 6th October, 1953.

NOTICE.

ADMINISTRATION of the estate of each of the under-mentioned deceased persons has been granted to the Public Trustee, and creditors, next of kin, and all others having claims against the estate of any of the persons so mentioned are required to send particulars of their claims to the Public Trustee, No. 412 Collins-street, Melbourne, on or before the 16th December, 1953, or they will be excluded from the distribution of the estate when the assets are being distributed:—

* ALLARD, GERTRUDE, formerly of 558 Nicholson-street, North Fitzroy, but late of 513 Nicholson-street, North Carlton, home duties, died 31st July, 1953.

ANDERSON, GEORGE SKENE, properly known in Holland as Piet Van Waveren, late of 36 Park-street, Moonee Ponds, foreman storeman, died 13th May, 1953, intestate.

BAWDEN, GEORGE WILLIAM, late of 188 Gladstone-street, South Melbourne, pensioner, died 30th July, 1953, intestate.

BIANCO, PHILLIP EDMUND, late of Rowan-street, Wangaratta, motor mechanic, died 5th July, 1952, intestate.

BLACK, JOHN, formerly known as Cecil Thornton Madigan, late of 26 Jolimont-road, Jolimont, bootmaker, died 31st March, 1953, intestate.

BRIGHTON, JAMES DOUGLAS, formerly of Langtree-avenue, Mildura, but late of 133 Deakin-avenue, Mildura, painter, died 27th April, 1952, intestate.

BUTLER, WILLIAM JOSEPH, late of 6 Robbs-parade, Northcote, retired, died 12th August, 1952, intestate.

CORRIE, ALICE RUTH, late of 2 Mile End-road, Carnegie, widow, died 18th July, 1953, intestate.

DUNK, ETHEL MAY, late of 163 Mason-street, West Newport, home duties, died 14th July, 1953, intestate.

HUSSEY, GEORGE, late of Swift's Creek, labourer, died 10th May, 1953, intestate.

MARKS, MORRIS, late of 34 Ferrars-place, South Melbourne, labourer, died between 17th and 28th July, 1953, intestate.

MARSHALL, GEORGE, late of 72 Raleigh-street, Thornbury, retired labourer, died 3rd August, 1953, intestate.

MASON, CATHERINE, late of 8 Tress-street, Ballarat East, home duties, died 19th February, 1941, intestate.

MORAITES, NICHOLAS, also known as Nick Morris, late of 120 Park-street, North Fitzroy, oyster bar attendant, died 10th May, 1953, intestate.

* MORRISON, AMY ALICE, late of 7 Bliss-street, Burnley, married woman, died 20th July, 1953.

† MCINTYRE, JULIA, sometimes called Julia Teresa McIntyre, formerly known as Julia Teresa Dickins, late of 14 Auburn-avenue, Northcote, married woman, died 18th July, 1953.

† NEEDHAM, FREDERICK, late of Auckland, New Zealand, retired builder, died 5th April, 1953.

O'NEILL, ARTHUR, late of 119 Napier-street, Fitzroy, pensioner, died 8th July, 1953, intestate.

PETCH, WILLIAM, late of Gippsland Benevolent Home, Bairnsdale, pensioner, died 20th February, 1953, intestate.

† SAMUELS, HORACE RAYMOND HENRY, formerly of Australian Military Forces, but late of 302 Canterbury-road, Surrey Hills, retired army officer, died 16th April, 1953.

SHAW, ALFRED CAMERON, late of 39 Patterson-street, Middle Park, electrician, died 2nd July, 1953, intestate.

SMITH, CHARLES HENRY, late of 112 Union-street, West Brunswick, retired, died 3rd August, 1953, intestate.

* SMITH, FLORENCE EDITH MAY, formerly of 7 Wilgra-avenue, Ashburton, but late of Austin Hospital, Heidelberg, spinster, died 25th August, 1953.

† SMITH, WILLIAM, late of 2 Olga-street, Coburg, fruit and vegetable merchant, died 28th August, 1953.

* WATERS, FRANCIS WILLIAM, also known as Frank William Waters, late of 38 Rowena-parade, Richmond, labourer, died 8th August, 1953.

* According to the provisions of the will.
† With the will annexed.

C. J. GARDNER,
Public Trustee.

Melbourne, 7th October, 1953.

4 GEORGE VI. No. 4755, SECTION 6.

I HEREBY give notice that on the 21st September, 1953, I filed an election to administer the followed deceased person's estate, in accordance with section 6 of the *Public Trustee Act 1940*:—

BUTLER, WILLIAM JOSEPH, late of 6 Robbs-parade, Northcote, retired, died 12th August 1952, intestate.

I HEREBY give notice that on the 25th September, 1953, I filed an election to administer the followed deceased person's estate, in accordance with section 6 of the *Public Trustee Act 1940*:—

* WATERS, FRANCIS WILLIAM, also known as Frank William Waters, late of 38 Rowena-parade, Richmond, labourer, died 8th August, 1953.

* According to the provisions of the will.

I HEREBY give notice that on the 30th September, 1953, I filed elections to administer the following deceased persons' estates, in accordance with section 6 of the *Public Trustee Act 1940*:—

MARSHALL, GEORGE, late of 72 Raleigh-street, Thornbury, retired labourer, died 3rd August, 1953, intestate.

O'NEILL, ARTHUR, late of 119 Napier-street, Fitzroy, pensioner, died 8th July, 1953, intestate.

PETCH, WILLIAM, late of Gippsland Benevolent Home, Bairnsdale, pensioner, died 20th February, 1953, intestate.

SHAW, ALFRED CAMERON, late of 39 Patterson-street, Middle Park, electrician, died 2nd July, 1953, intestate.

SMITH, CHARLES HENRY, late of 112 Union-street, West Brunswick, retired, died 3rd August, 1953, intestate.

* SMITH, FLORENCE EDITH MAY, formerly of 7 Wilgra-avenue, Ashburton, but late of Austin Hospital, Heidelberg, spinster, died 25th August, 1953.

* According to the provisions of the will.

I HEREBY give notice that on the 1st October, 1953, I filed elections to administer the following deceased persons' estates, in accordance with section 6 of the *Public Trustee Act 1940*:—

ANDERSON, GEORGE SKENE, properly known in Holland as Piet Van Waveren, late of 36 Park-street, Moonee Ponds, foreman storeman, died 13th May, 1953, intestate.

DUNK, ETHEL MAY, late of 163 Mason-street, West Newport, home duties, died 14th July, 1953, intestate.

MARKS, MORRIS, late of 34 Ferrars-place, South Melbourne, labourer, died between 17th and 28th July, 1953, intestate.

* MORRISON, AMY ALICE, late of 7 Bliss-street, Burnley, married woman, died 20th July, 1953.

* According to the provisions of the will.

I HEREBY give notice that on the 2nd October, 1953, I filed elections to administer the following deceased persons' estates, in accordance with section 6 of the *Public Trustee Act 1940*:—

* ALLARD, GERTRUDE, formerly of 558 Nicholson-street, North Fitzroy, but late of 513 Nicholson-street, North Carlton, home duties, died 31st July, 1953.

BAWDEN, GEORGE WILLIAM, late of 188 Gladstone-street, South Melbourne, pensioner, died 30th July, 1953, intestate.

* According to the provisions of the will.

I HEREBY give notice that on the 5th October, 1953, I filed elections to administer the following deceased persons' estates, in accordance with section 6 of the *Public Trustee Act 1940*:—

CORRIE, ALICE RUTH, late of 2 Mile End-road, Carnegie, widow, died 18th July, 1953, intestate.

HUSSEY, GEORGE, late of Swift's Creek, labourer, died 10th May, 1953, intestate.

MASON, CATHERINE, late of 8 Tress-street, Ballarat East, home duties, died 19th February, 1941, intestate.

MORAITES, NICHOLAS, also known as Nick Morris, late of 120 Park-street, North Fitzroy, oyster bar attendant, died 10th May, 1953, intestate.

I HEREBY give notice that on the 6th October, 1953, I filed an election to administer the followed deceased person's estate, in accordance with section 6 of the *Public Trustee Act 1940*:—

BLACK, JOHN, formerly known as Cecil Thornton Madigan, late of 26 Jolimont-road, Jolimont, bootmaker, died 31st March, 1953, intestate.

C. J. GARDNER,
Public Trustee.

412 Collins-street, Melbourne, C.1, 7th October, 1953.

REAL ESTATE AGENTS ACTS.

IN accordance with the provisions of the above-mentioned Acts, the following is published for general information:—

(a) List of Real Estate Agents' Licences issued during the month of September, 1953, and prior months.

Name.	Principal Place of Business (Registered Office).	Name of Firm or Partnership.	Date from which Licence is Effective.
Andrews, J., Pty. Ltd. (Mrs. J. F. Andrews, nominee)	257 Toorak-road, South Yarra		2.9.53
Benjamin, M. G.	914 Armstrong-street north, Ballarat		1.9.53
Blackall, John H., Pty. Ltd. (J. H. Blackall, nominee)	346 Swanston-street, Melbourne		4.9.53
Charter, C. J.	Barber-street, Pyramid Hill		1.9.53
Cohen, S. L.	249 Cotham-road, Kew, and 258 Flinders-lane. Melbourne	Quest Real Estate	15.9.53
Cooper, H. J.	110 Ryrie-street, Geelong	Cooper and McDonald	8.9.53
Doherty, V. J.	19 Lyonsville-avenue, East Preston		23.9.53
Dunn, W. G.	Eaglehawk		11.9.53
Eddy, H. A.	150 Cotham-road, Kew	Andrew Eddy	16.9.53
Guyett, G. N.	cr. Little Malop and James-streets, Geelong	Norman F. Guyett and Co.	1.9.53
Guyett, R.	cr. Little Malop and James-streets, Geelong	Norman F. Guyett and Co.	1.9.53
Houchin, K. S.	38 Balcombe-road, Black Rock		2.9.53
Humphrys, H. J.	33 Haig-street, Box Hill		10.9.53
Keller, A. B.	18 Lansdowne-street, East Melbourne	The Steadfast Real Estate and Business Agency	7.9.53
Leviston, E. R.	Yinnar		24.6.53
Long, T. N.	25 The Right, South Yarra		3.9.53
Lord-Milnes, J. R.	155 Lonsdale-street, Dandenong	Lonsford Land and Property Agents	21.9.53
McKnight, D.	The Terrace, Ocean Grove		29.9.53
Maher, M. J.	Belmore-street, Yarrowonga		22.9.53
Marks, A. W. C.	Loch-street, Beechworth		23.9.53
Massey, T. W.	36b Glenhuntly-road, Elsternwick		1.9.53
Morrey, K. F.	3 Rotorua-street, Caulfield		15.9.53
Parry, M. A.	64 Elizabeth-street, Melbourne	Parry and Beveridge	9.9.53
Russo, A.	16 Stanley-street, Middle Brighton		11.9.53
Scholnick, H.	68 Jasper-road, Moorabbin	Harold Scholes	28.9.53
Shelper, H. J.	44 Orrong-road, Armadale		29.9.53
Smith, S. R.	134 Gardenvale-road, Gardenvale, and 33 Howard-street, Box Hill		14.9.53
Stevens, J. K.	215 Barkly-street, St. Kilda	D. Blyth	11.9.53
Stewart, G. J.	5 Cromwell-street, Glen Iris		10.9.53
Thomson, J. B.	108 Main-street, Bairnsdale	Bayley and Thomson	22.9.53
Warne, S. D.	McKenzie's Hill, Castlemaine		10.9.53
Wigg, C. H.	5 Hyland-street, Morwell		21.9.53

(b) List of Real Estate Sub-Agents' Licences issued during the month of September, 1953.

Name.	Registered Address.	Date from which Licence is Effective.	Name.	Registered Address.	Date from which Licence is Effective.
Adams, M. G.	161 Glenhuntly-road, Elwood	25.9.53	Miliasavjevic, M.	213 Ballarat-road, Footscray	14.9.53
Andrews, B. G.	7 Alfriston-street, Elwood	11.9.53	Moore, E. R.	1 Melrose-street, Sandringham	7.9.53
Bade, B. F.	76 Lucerne-crescent, Alphington	17.9.53	Montafis, J.	23 Jupiter-street, South Caulfield	10.9.53
Baird, R. K. W.	19 Parsons-avenue, Springvale	28.9.53	Oates, A. W.	29 Robe-street, St. Kilda	15.9.53
Bartha, N. A.	36 Ormond-street, Mordialloc	17.9.53	Parsons, G. R.	27 Herne-street, Manifold Heights	15.9.53
Black, W. S.	13 Elizabeth-street, Brighton	18.9.53	Pell, G. F.	Numurkah	1.9.53
Briggs, D. H.	16 Raymond-street, West Preston	1.9.53	Picozzi, G. V.	19 Oak-street, Hawthorn West	23.9.53
Britt, J. J.	29 Anderson-street, Ballarat	17.9.53	Preston, R. N.	20 Bridport-street, Albert Park	4.9.53
Carey, G. W.	21 Albert-street, Brunswick	7.9.53	Pridgeon, J.	35 Moira-avenue, Glenhuntly	3.9.53
Carpenter, J. P.	59 King-street, Queenscliff	7.9.53	Quigley, W.	27 Inverness-avenue, Armadale	11.9.53
Cumiskey, B. J.	160 Edward-street, East Brunswick	7.9.53	Randall, J. D.	8 Murrumbena-road, Murrumbena	15.9.53
Dorfstatter, I.	88 Fromer-street, Moorabbin	3.9.53	Reilly, H. J.	202 The Parade, Ascot Vale	4.9.53
Dyson, C. G.	31 Kinane-street, Brighton Beach	18.9.53	Robertson, H. R.	Lusher-road, Croydon	23.9.53
Edwards, V. C.	189 St. George's-road, North Fitzroy	15.9.53	Saunders, A. L. J.	Sinclair-street, Drouin	11.9.53
Gardner, H. J.	380 Hargreave-street, Bendigo	4.9.53	Schoon, M. J.	Main-street, Upwey	28.9.53
Hannan, J. L.	149 High-street, Ashburton	3.9.53	Shiels, W. E.	26 Denman-street, East Geelong	10.9.53
Harbrow, A. H. G.	117 Clarendon-street, Thornbury	15.9.53	Shrimpton, F. N.	41 Malop-street, Geelong	15.9.53
Hare, W. C.	2 Camden-road, Hawthorn	16.9.53	Skolnik, E. E.	63 Berkeley-street, Hawthorn	30.9.53
Harrower, D.	P.O. Box 110, Cohuna	21.9.53	Slater, McL. H.	Cheshunt	14.9.53
Johnson, M. A.	155 Cleland-street, Dandenong	21.9.53	Smith, S.	31 Charnwood-road, St. Kilda	17.9.53
Knight, F. C.	49 Vincent-street, Glen Iris	25.9.53	Solomon, C. E.	38 Loch-avenue, East St. Kilda	3.9.53
Lawson, S. I.	York-road, Mt. Evelyn	20.9.53	Tonkin, R. T.	79 Ringwood-street, Ringwood	22.9.53
Lindsay, R. W.	14 Hanslope-street, Alphington	8.9.53	Van Assche, M. R.	Flat 4, 20 Marne-street, South Yarra	15.9.53
McClelland, F. C.	7 Veitch-street, East Ivanhoe	8.9.53	Videon, H. S.	41 Bishop-street, Oakleigh	7.9.53
McGregor, M. A.	1 Houston-street, Stawell	21.9.53	Wade, J. R.	34 Joseph-street, Ballarat	25.9.53
McRae, A. A.	11 Manchester-grove, Carnegie	15.9.53	Warner, R. N.	98 Lloyd-street, Dimboola	30.9.53
Marchant, L. M.	102 Beaver's-road, Northcote	11.9.53	Wells, W. G.	711 Talbot-street South, Ballarat	17.9.53
Marshall, H. G.	28 Haig-street, Burwood	7.9.53	Westmore, L.	67 Talbot-crescent, Kooyong	16.9.53
Matheson, R. F.	2 Alexander-avenue, Geelong	29.9.53	Wood, J.	Point Ormond Kiosk, Marine-parade, Elwood	10.9.53

BUSINESS AGENTS ACT 1930.

IN accordance with the provisions of the above-mentioned Act, the following is published for general information:—

(a) List of Business Agents' Licences issued during the month of September, 1953.

Name.	Principal Place of Business (Registered Office).	Name of Firm or Partnership.	Date from which Licence is Effective.
Cochrane, W.	31 The Esplanade, Mornington		11.9.53
Cohen, S. L.	249 Cotham-road, Kew, and 258 Flinders-lane, Melbourne	Quest Real Estate	15.9.53
Cooper, H. J.	110 Ryrie-stree, Geelong	Cooper and McDonald	8.9.53
Doherty, V. J.	19 Lyonsville-avenue, East Preston		23.9.53
Dunn, W. G.	Eaglehawk		11.9.53
Eddy, H. A.	150 Cotham-road, Kew	Andrew Eddy	16.9.53
Guyett, G. N.	cr. Little Malop and James-streets, Geelong	Norman F. Guyett, and Co.	1.9.53
Guyett, R.	cr. Little Malop and James-streets, Geelong	Norman F. Guyett and Co.	1.9.53
Humphrys, H. J.	33 Haig-street, Box Hill		10.9.53
Keller, A. B.	18 Lansdowne-street, East Melbourne	The Steadfast Real Estate and Business Agency	7.9.53
Massey, T. W.	36B Glenhuntly-road, Elsternwick		1.9.53
Millson, W. C. W.	83 Buller-road, North Balwyn		23.9.53
Morrey, K. F.	3 Rotorua-street, Caulfield		15.9.53
Farry, M. A.	64 Elizabeth-street, Melbourne	Parry and Beveridge	9.9.53
Russo, A.	16 Stanley-street, Middle Brighton		11.9.53
Scholnick, H.	68 Jasper-road, Moorabbin	Harold Scholes	28.9.53
Shelper, H. J.	44 Orrong-road, Armadale		29.9.53
Smith, S. R.	134 Gardenvale-road, Gardenvale, and 33 Howard-street, Box Hill		14.9.53
Stewart, G. J.	5 Cromwell-street, Glen Iris		10.9.53
Thomson, J. B.	108 Main-street, Bairnsdale	Bayley and Thomson	22.9.53
Wigg, C. H.	5 Hyland-street, Morwell		21.9.53

(b) List of Business Sub-Agents' Licences issued during the month of September, 1953.

Name.	Registered Address.	Date from which Licence is Effective.	Name.	Registered Address.	Date from which Licence is Effective.
Adams, M. G.	161 Glenhuntly-road, Elwood	25.9.53	Saunders, A. L. J.	Sinclair-street, Drouin	11.9.53
Baird, R. K. W.	19 Parsons-avenue, Springvale	28.9.53	Solomon, C. E.	38 Loch-avenue, East St. Kilda	3.9.53
Britt, J. J.	29 Anderson-street, Ballarat	17.9.53	Van Assche, M. R.	Flat 4, 20 Marne-street, South Yarra	15.9.53
Edwards, V. C.	189 St. George's-road, North Fitzroy	15.9.53	Warner, R. N.	98 Lloyd-street, Dimboola	30.9.53
Hannan, J. L.	149 High-street, Ashburton	3.9.53	Weiner, M.	36 Hawksburn-road, South Yarra	3.9.53
Lawson, S. I.	York-road, Mt. Evelyn	29.9.53	Wells, W. G.	711 Talbot-street south, Ballarat	17.9.53
McGregor, M. A.	1 Houston-street, Stawell	21.9.53	Westmore, L.	67 Talbot-crescent, Kooyong	16.9.53
Moore, E. R.	1 Melrose-street, Sandringham	7.9.53	Wood, J.	Point Ormond Kiosk, Marine-parade, Elwood	10.9.53
Robertson, H. R.	Lusher-road, Croydon	23.9.53			

The Treasury,
Melbourne, C.2, 8th October, 1953.

M. A. R. SYNNOT,
Registrar.

AUCTION SALES ACT 1928.

LIST of Persons to whom Auctioneers' Licences have been issued during the month of September, 1953, and prior months.

Name.	Address.	Date of Issue.
Apple, H.	14 Ercildoune-street, Caulfield	21.9.53
Baxter, N. H.	Main-road, Eltham	31.8.53
Caldwell, A. S.	Kyabram	8.9.53
*Dwyer, W. J.	Wodonga	27.8.53
Eddy, H. A.	150 Cotham-road, Kew	11.9.53
Harris, J. E.	Robinvale	24.8.53
Levey, W.	Mansfield	2.9.53
McLeod, R. A.	Mitchell-street, Swan Hill	7.9.53
†McMillan, K.	1 Stradbroke-avenue, Toorak	18.9.53
‡Maddison, G. T.	136 Hume-street, Wodonga	6.8.53
Pearson, R. G.	35 MacGregor-street, East Malvern	22.9.53
Vains, E. G.	70 Olinda-street, Bendigo	24.9.53

* By transfer from M. C. Mulqueeny.
† By transfer from Estate of A. W. McMillan (deceased).
‡ By transfer from M. A. Gunn.

The Treasury,
Melbourne, C.2, 8th October, 1953.

A. T. SMITHERS,
Director of Finance.

AUCTION SALES ACT 1928.

BALLARAT.—Notice is hereby given that the Annual Meeting of Justices for the Licensing of Auctioneers will be held at the Law Courts, Ballarat, on Tuesday, the 24th day of November, 1953, at Ten o'clock in the forenoon. Dated at Ballarat this 9th day of October, 1953.—K. A. McDONALD, Clerk of Petty Sessions, Ballarat.

BENALLA.—Notice is hereby given that the Annual Meeting of Justices for the Licensing of Auctioneers will be held at the Court House, Benalla, on Tuesday, the 24th day of November, 1953, at the hour of Ten o'clock in the forenoon. Dated this 6th day of October, 1953.—J. J. GLEESON, Clerk of Petty Sessions.

BENDIGO.—Notice is hereby given that the Annual Meeting of Justices for the Licensing of Auctioneers will be held at the Law Courts, Bendigo, on Tuesday, the 24th day of November, 1953, at Ten o'clock in the forenoon. Dated at Bendigo this 7th day of October, 1953.—B. I. GRIFFITH, Clerk of Petty Sessions.

CHARLTON.—Notice is hereby given that the Annual Meeting of Justices for the Licensing of Auctioneers will be held in the Court House, at Charlton, on Tuesday, the 24th day of November, 1953, at the hour of Ten o'clock in the forenoon. Dated this 8th day of October, 1953.—N. FRITZPATRICK, Clerk of Petty Sessions.

EUROA.—Notice is hereby given that the Annual Meeting of Justices for the Licensing of Auctioneers will be held at the Court House, Euroa, on Tuesday, the 24th day of November, 1953, at Ten o'clock in the forenoon. Dated this 6th day of October, 1953.—J. J. GLEESON, Clerk of Petty Sessions.

GEELONG.—Notice is hereby given that the Annual Meeting of Justices for the Licensing of Auctioneers will be held in the Court House, Little Malop-street, Geelong, on Tuesday, the 24th day of November, 1953, at the hour of Ten o'clock in the forenoon. Dated this 8th day of October, 1953.—A. G. GLASSON, Clerk of Petty Sessions.

MELBOURNE.—Notice is hereby given that the Annual Meeting of Justices for the Licensing of Auctioneers will be held at the Court House, corner of Russell and Latrobe streets, Melbourne, on Tuesday, the 24th day of November, 1953, at Ten o'clock in the forenoon. Dated this 7th day of October, 1953.—J. G. GORF, Clerk of Petty Sessions.

MYRTLEFORD.—Notice is hereby given that the Annual Meeting of Justices for the Licensing of Auctioneers will be held at the Court House, Myrtleford, on Tuesday, the 24th day of November, 1953, at Ten o'clock in the forenoon. Dated this 9th day of October, 1953.—F. C. HILL, Clerk of Petty Sessions.

SWAN HILL.—Notice is hereby given that the Annual Meeting of Justices for the Licensing of Auctioneers will be held at the Court House, Swan Hill, on Tuesday, the 24th day of November, 1953, at the hour of Ten o'clock in the forenoon.—G. MILLER, Clerk of Petty Sessions.

AVON RIVER IMPROVEMENT TRUST.

BY-LAW No. 2.

THE Avon River Improvement Trust, in pursuance and exercise of the powers conferred by the *River Improvement Act 1948*, doth hereby make the by-law following:—

1. The following rates, to be called the "Avon River Improvement District River Improvement Rate," are hereby made; and shall be levied upon the occupiers or owners of all properties within the Avon River Improvement District which are rateable to any municipality:—

A rate of Six pence (6d.) in the pound on the net annual municipal value of all properties in the First Division, being those properties coloured blue on the plan of the Avon River Improvement District, signed and sealed by the Avon River Improvement Trust, and approved by the Governor in Council, and lodged at the office of the State Rivers and Water Supply Commission, at Melbourne.

A rate of Two pence (2d.) in the pound on the net annual municipal value of all properties in the Second Division, being those properties shown coloured green on the said plan.

A rate of Two pence (2d.) in the pound on the net annual municipal value of all properties in the Third Division, being those properties shown coloured brown on the said plan.

A rate of Two pence (2d.) in the pound on the net annual municipal value of all properties in the Fourth Division, being those properties shown coloured yellow on the said plan.

A rate of One penny (1d.) in the pound on the net annual municipal value of all properties in the Fifth Division, being those properties shown uncoloured on the said plan.

Provided that the sum of One shilling shall be the minimum amount of rate in respect of any property liable to be rated in any Division of the District.

2. Such rates are made and shall be levied for the year beginning with the 1st day of January, 1953, and ending with the 31st day of December, 1953, and shall be payable on the 1st day of November, 1953, at the office of the Avon River Improvement Trust, at Sale.

3. Such person or persons as the Avon River Improvement Trust may from time to time appoint for the purpose shall be and is or are hereby authorized to demand, receive, collect, and recover the said rate.

The foregoing By-law was made by the Avon River Improvement Trust on the 10th day of September, 1953, and the common seal of the said Trust was thereunto affixed this 10th day of September, 1953, in the presence of—

ERIC LEE, Chairman.

(SEAL) W. BURGERMEISTER, Commissioner.

H. L. PAXTON, Secretary.

Approved by the Governor in Council, 13th October, 1953.—A. MAHLSTEDT, Clerk of the Executive Council.

MONEY LENDERS ACT 1938.

IN accordance with the provisions of the above-mentioned Act, the following is published for general information:—

List of Persons to whom Money Lenders' Licences have been issued for the year ending 30th June, 1954.

Name.	Authorized Name.	Authorized Address.	Date of Issue.
*Amalgamated Cash Orders Pty. Ltd. (K. Penman, appointee)	Amalgamated Cash Orders Pty. Ltd. . .	Room 6, Leeds Buildings, cr. Leeds and Paisley-streets, Footscray	11.9.53
*Amalgamated Cash Orders Pty. Ltd. (K. Penman, appointee)	Amalgamated Cash Orders Pty. Ltd. . .	274 Smith-street, Collingwood . .	18.9.53
Krause, J.	J. Krause	751 Burke-road, Camberwell . .	14.9.53
*Marshall, J. D.	J. D. Marshall	287 High-street, Preston . .	7.9.53
Prowse, A. S.	A. S. Prowse	88 Albion-road, Ashburton . .	17.9.53
†Smith, Adam, Pty. Ltd. (C. J. Smith, appointee)	Adam Smith Pty. Ltd.	11 Elizabeth-street, Melbourne . .	4.9.53

* Substitution of new authorized address.
† Transfer of appointee.

State Treasury,
Melbourne, C.2, 8th October, 1953.

M. A. R. SYNNOT,
Registrar.

Marriage Act 1928.

MINISTERS OF RELIGION REGISTERED TO CELEBRATE MARRIAGES IN VICTORIA.

It is hereby notified that, in pursuance of the provisions of the *Marriage Act 1928*, 19 Geo. V., No. 3726, Sec. 11, the under-mentioned Officiating Ministers of Religion have been registered at this Office for the celebration of marriages in Victoria:—

Number in Register.	Name.	Designation.	Denomination.	Residence.	Date of Registration.
10850	Inglis, Francis Leslie ..	Officer ..	Salvation Army ..	Malvern ..	13.7.53
10851	Mulkerrin, Thos. Christopher ..	Priest ..	Roman Catholic ..	St. Columban's, Essendon ..	23.7.53
10852	Pitcher, Leonard Charles ..	Sen. Captain ..	Salvation Army ..	Maryborough ..	17.7.53
10853	Favier, Edward Cyril ..	Priest ..	Roman Catholic ..	St. Patrick's, Melbourne ..	27.7.53
10854	Southwell, Wm. Bramwell ..	Officer ..	Salvation Army ..	Dorcas-street, South Melbourne ..	24.7.53
10855	Murphy, Francis Patrick ..	Priest ..	Roman Catholic ..	St. Patrick's, Melbourne ..	30.7.53
10856	Wilkins, Arthur Latimer ..	Minister ..	Baptist ..	Charles-street, Kew ..	3.8.53
10857	McConchie, Keith Lauchlan ..	Priest ..	Church of England ..	Bunyip ..	24.7.53
10858	Crotty, John ..	Priest ..	Roman Catholic ..	St. Mary's, Geelong ..	31.7.53
10859	Orr, Eleanor Lucille ..	Officer ..	Salvation Army ..	Warragul ..	2.8.53
10860	Locke, Peter Geo. ..	Minister ..	Presbyterian ..	Foster ..	30.7.53
10861	Duggan, Aidan ..	Priest ..	Roman Catholic ..	St. Fidelis, Moreland ..	3.8.53
10862	Long, Brian ..	Priest ..	Roman Catholic ..	Sacred Heart, Bendigo ..	6.8.53
10863	Hay, Leo Camillus ..	Priest ..	Roman Catholic ..	St. Paschal's, Box Hill ..	12.8.53
10864	Stolz, Johannes Theo ..	Pastor ..	United Lutheran ..	Kingsley-street, Darebin ..	17.8.53
10865	Broadstock, Clement Howard ..	Officer ..	Salvation Army ..	Windsor ..	26.8.53
10866	McPhaill, James ..	Minister ..	Presbyterian ..	St. Andrew's, Footscray ..	22.8.53
10867	Jessop, Chas. Wm. John ..	Officer ..	Salvation Army ..	Canterbury ..	25.8.53
10868	Ghignone, Roberto ..	Priest ..	Roman Catholic ..	St. Ignatius', Richmond ..	26.8.53
10869	Grisendi, Ziffrino ..	Priest ..	Roman Catholic ..	Capuchin Chapel, Hawthorn ..	3.9.53
10870	Markey, Robert David ..	Priest ..	Roman Catholic ..	Corpus Christi College, Werribee ..	7.9.53
10871	Huckson, Quenton Ernest ..	Minister ..	Presbyterian ..	Bunyip ..	9.9.53
10872	Hulme-Moir, Francis Oag ..	Archdeacon ..	Church of England ..	St. John's, Toorak ..	9.9.53
10873	Little, Thomas Francis ..	Priest ..	Roman Catholic ..	Sacred Heart, Carlton ..	14.9.53
10874	Stonehouse, Julius Courteen ..	Priest ..	Church of England ..	Barham, New South Wales ..	19.9.53
10875	Gray, Albert Alick ..	Major ..	Salvation Army ..	Green-street, Richmond ..	15.9.53
10876	Riedel, Erich Ottmar ..	Pastor ..	Evan. Lutheran ..	Warracknabeal ..	1.9.53

Office of the Government Statist,
Melbourne, 9th October, 1953.

O. GAWLER,
Government Statist.

RULES OF THE SUPREME COURT.

IN pursuance of the powers conferred by the Supreme Court Rules and all other powers hereunto enabling the following amendments to the Rules are made and shall take effect from the date of gazettal:—

Order LXV rule 12 is hereby repealed and in lieu thereof the following rule is enacted:—

r.12. In actions of contract or of tort in which the plaintiff recovers, by judgment or otherwise, a sum (exclusive of costs) not exceeding one-fifth of the limit in point of amount to which the jurisdiction of the County Court is limited, he shall be entitled to no more costs than he would have been entitled to had he brought his action in a County Court, unless the Court or a Judge otherwise orders.

O. LXV r.27(48) is hereby repealed and in lieu thereof the following sub-rule is enacted:—

(48) In any cause or matter whether witnesses are examined or not, if the trial or hearing shall occupy either on the first day only or partly on the first day and partly on a subsequent day or days more than six working hours without being concluded, the taxing officer may allow a refresher fee for every five working hours subsequent to the expiration of the first six hours.

The final refresher may be allowed for such period less than five hours that the trial or hearing may occupy.

Dated the 30th day of September, 1953.

CHARLES J. LOWE, A.C.J.
C. GAVAN DUFFY, J.
RUSSELL MARTIN, J.
NORMAN O'BRYAN, J.
JOHN V. BARRY, J.
ARTHUR DEAN, J.
R. R. SHOLL, J.
T. W. SMITH, J.
E. H. HUDSON, A.J.

DEPARTMENT OF MINES.

SUBJECT to any necessary excisions, &c., it is proposed to grant the following mining leases:—

- 9159, Ballarat; Maurice O'Connell, Henry L. Higgins, and William T. Grant; 20a. 3r. 29p., Parish of Coornmill.
7370, Mineral; James Ryan, senior; 39a. 3r. 37p., Parish of Jingallala.

MINING LEASES GRANTED.

- 5552, Gippsland; Frederick Roberts, William Leslie Thompson, and Thomas Race; 84a. 2r. Parish of Walhalla.
7312, Mineral; Trafalgar Timbers Pty. Ltd.; 32a. 1r. 24p., Parish of Narracan South.
7325, Mineral; Bendigo Pottery Pty. Ltd.; 3a. 1r. 12p., Parish of Sandhurst.

CONSENT GRANTED TO MORTGAGE A LEASE.

- 7164, Mineral; James Thomas Knox to Commercial Banking Company of Sydney Ltd.

CONSENT GRANTED TO TRANSFER A LEASE.

- 11305, Bendigo, from Ernest Edward Lloyd, Frank Mortimer, and Charles Frederick Bell, to Ernest Edward Lloyd and Charles Frederick Bell.

TAILINGS LICENCES GRANTED.

- 2439, Tailings Licence; Alice Harriet Leehane, Parish of Smythesdale.
2440, Tailings Licence; Alice Harriet Leehane; 12a. 2r. 16p., Parish of Buninyong.
2444, Tailings Licence; Victorian Railways Commissioners, Parish of Rathscar.
2446, Tailings Licence; L. A. Spencer, 7a. 3r., Parish of Smythesdale.

A. M. FRASER,
Minister of Mines.

THE POTATO MARKETING BOARD.

NOTICE TO POTATO GROWERS.

FOR deliveries of No. 1 and No. 1 Grade Potatoes made on and after Tuesday, 13th October, 1953, until further notice the first advance to producers will be realization price less freight from loading station to Melbourne and £3 10s. per ton.

L. M. TIMMINS,
Acting Chairman.

Stamps Act 1946.

NOTICE.

NOTICE is hereby given that the certificate appearing in *Government Gazette* No. 389, dated 30th December, 1937, that Monument Hill Consolidated (Bendigo), No Liability was a company engaged solely or principally in the search or mining for gold, is withdrawn as from the 14th October, 1953.

Dated the 14th day of October, 1953.

W. E. CAMIER,
Comptroller of Stamps.

EDUCATION DEPARTMENT.

SUMMONING OFFICER.

I HEREBY appoint the under-mentioned person, under section 31 of the *Education Act 1928*, to summon parents within the State of Victoria:—

Constable JOHN ALBERTO MOORE, No. 10996.

A. E. SHEPHERD,
Minister of Education.

EDUCATION DEPARTMENT.

SUMMONING OFFICER.

I HEREBY appoint the under-mentioned person, under section 31 of the *Education Act 1928*, to summon parents within the State of Victoria:—

Senior Constable KEITH BROWN, No. 9401.

A. E. SHEPHERD,
Minister of Education.

Motor Car Act 1951.—Section 40 (5).

EFFECTIVE DATE OF WITHDRAWAL BY AUTHORIZED INSURER.

WHEREAS, by a notice in writing dated the thirtieth day of September, 1953, to me, Leslie William Galvin, the responsible Minister for the time being administering the *Motor Car Act 1951*, the following authorized insurer under Part V. of the said Act, namely—

THE STATE ASSURANCE COMPANY LIMITED,

has withdrawn from insurance business in terms of the aforesaid part:

Now therefore I, the said Leslie William Galvin, in pursuance of the provisions of section 40 (5) of the *Motor Car Act 1951*, do hereby specify the first day of December, 1953, as the date upon which such notice of withdrawal shall have effect.

L. W. GALVIN,
Chief Secretary.

Chief Secretary's Office,
Melbourne, 8th October, 1953.

CITY OF WARRNAMBOOL.—WATER SUPPLY DISTRICT.

AUTHORITY TO OBTAIN A BANK OVERDRAFT.

HIS Excellency the Administrator of the Government of the State of Victoria, by and with the advice of the Executive Council thereof, doth, by Order made on the 6th day of October, 1953, authorize the Council of the City of Warrnambool to obtain, in pursuance of the provisions of section 271 of the *Water Act 1928* (No. 3801), an advance or advances during the year ending the 30th September, 1954, from the Commercial Banking Company of Sydney Limited, Warrnambool, by overdraft of the Council's current account thereat, such overdraft not to exceed at any one time the sum of Eight thousand pounds (£8,000).

A. MAHLSTEDT,
Clerk of the Executive Council.

At the Executive Council Chamber,
Melbourne, 6th October, 1953.

ELECTRIC LIGHT AND POWER ACT 1928 AND STATE ELECTRICITY COMMISSION ACTS.

At the Executive Council Chamber, Melbourne, the sixth day of October, 1953.

PRESENT:

His Excellency the Administrator of the Government of the State of Victoria.

Mr. Holt | Mr. Smith.

WHEREAS the President, Councillors, and Ratepayers of the Shire of Phillip Island (hereinafter called "the Council") are authorized by an Order in Council (herein called "the said Order"), made under the *Electric Light and Power Act 1928*, to supply electricity in an area being the Shire of Phillip Island, which Order in Council cited as the Phillip Island Electric Lighting Order No. 274, 1952, was made on the 3rd day of June, 1952: And whereas, pursuant to clause 8 of the said Order, the Council did on the 3rd day of July, 1953, serve a notice and a plan on the Country Roads Board describing certain works proposed to be carried out by the Council and involving the placing of works in, under, along, and across certain streets shown on the plan, the Country Roads Board being responsible for the care and maintenance of the said streets; and has given the Board such further information in relation thereto as the Board desired: And whereas the Board, having disapproved of the said works and the said plan, gave notice to the Council of such its disapproval, and the Council appealed to the Governor in Council: And whereas the Governor in Council has inquired into the matter, His Excellency the Administrator of the Government of the State of Victoria acting by and with the advice of the Executive Council thereof and pursuant to the said Acts, and the said Order doth hereby allow the appeal of the said Council and approve of the said plan and the works shown thereon and described in the said notice of the Council.

And the Honorable John William Galbally, Her Majesty's Minister in Charge of Electrical Undertakings, shall give the necessary directions herein accordingly.

A. MAHLSTEDT,
Clerk of the Executive Council.

DEPARTMENT OF CROWN LANDS AND SURVEY.

DEPARTMENT OF CROWN LANDS AND SURVEY.

At the Executive Council Chamber, Melbourne, the sixth day of October, 1953.

At the Executive Council Chamber, Melbourne, the sixth day of October, 1953.

PRESENT:

PRESENT:

His Excellency the Administrator of the Government of the State of Victoria.

His Excellency the Administrator of the Government of the State of Victoria.

Mr. Holt | Mr. Smith.

Mr. Holt | Mr. Smith.

ADDITIONAL LANDS TEMPORARILY RESERVED AS SITES.

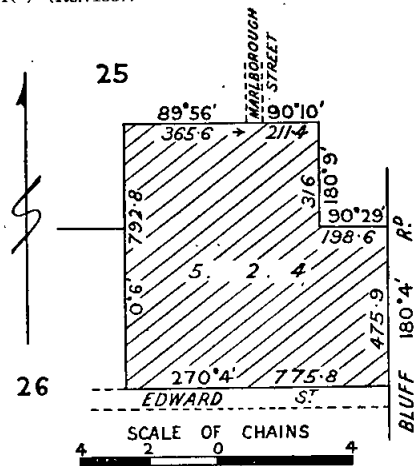
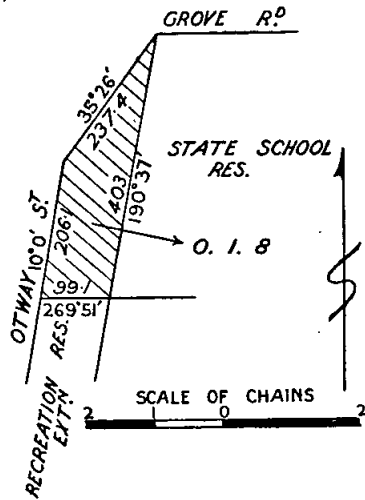
LANDS TEMPORARILY RESERVED AS SITES.

HIS Excellency the Administrator of the Government of the State of Victoria, by and with the advice of the Executive Council thereof, doth hereby, in pursuance of the provisions of the *Land Act 1928*, reserve, temporarily, and also except from occupation for mining purposes under any miner's right, the additional lands hereinafter described:—

HIS Excellency the Administrator of the Government of the State of Victoria, by and with the advice of the Executive Council thereof, doth hereby, in pursuance of the provisions of the *Land Act 1928*, reserve, temporarily, and also except from occupation for mining purposes under any miner's right, the lands hereinafter described:—

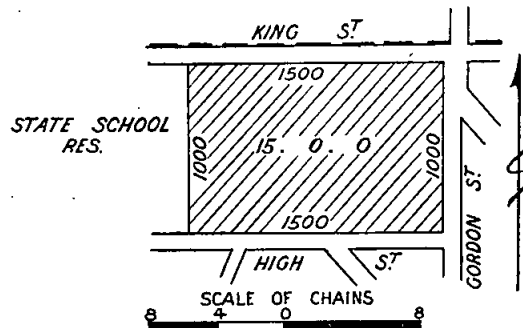
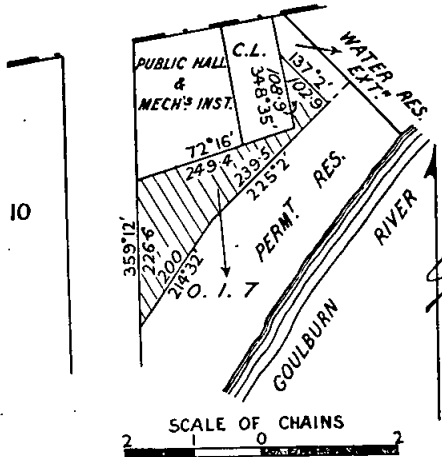
LORNE.—Site for State School purposes, in addition to and adjoining the site temporarily reserved therefor by Order in Council of the 11th March, 1878, 1 rood 8 perches, Township of Lorne, Parish of Lorne, County of Polwarth, as indicated by hachure on plan hereunder.—(L.147(?) (Rs.1711).

MOORABBIN (SANDRINGHAM).—Site for Hospital purposes, 5 acres 2 roods 4 perches, Parish of Moorabbin, County of Bourke, as indicated by hachure on plan hereunder.—(M.164(?) (Rs.7153).

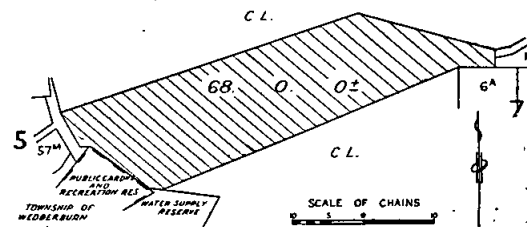


TOOLAMBA.—Site for Water Supply purposes, in addition to and adjoining the site temporarily reserved therefor by Order in Council of the 14th March, 1908, 1 rood 7 perches, Parish of Toolamba, County of Rodney, as indicated by hachure on plan hereunder.—(T.201(?) (Rs.7163).

HAMILTON.—Site for Public Recreation, 15 acres, Township of Hamilton, Parish of North Hamilton, County of Dundas, as indicated by hachure on plan hereunder.—(H.45(?) (Rs.102).



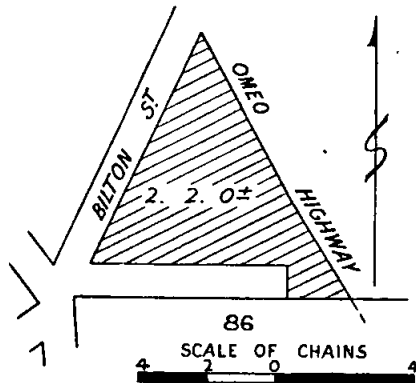
WEDDERBURNE.—Site for Water Supply purposes, 68 acres, more or less, Parish of Wedderburne, County of Gladstone, as indicated by hachure on plan hereunder.—(W.116(?) (Rs.1593).



And the Honorable Robert Wilfred Holt, Her Majesty's Commissioner of Crown Lands and Survey for the State of Victoria, shall give the necessary directions herein accordingly.

A. MAHLSTEDT,
Clerk of the Executive Council.

OMEQ.—Site for Public purposes, 2 acres 2 roods, more or less, Township of Omeo, Parish of Cobungra, County of Benambra, as indicated by hachure on plan hereunder.—(O.19(6) (Rs.7159).



And the Honorable Robert Wilfred Holt, Her Majesty's Commissioner of Crown Lands and Survey for the State of Victoria, shall give the necessary directions herein accordingly.

A. MAHLSTEDT,
Clerk of the Executive Council.

DEPARTMENT OF CROWN LANDS AND SURVEY.

At the Executive Council Chamber, Melbourne, the sixth day of October, 1953.

PRESENT:

His Excellency the Administrator of the Government of the State of Victoria.

Mr. Holt | Mr. Smith.

UNUSED AND UNMADE ROADS CLOSED.

HIS Excellency the Administrator of the Government of the State of Victoria, by and with the advice of the Executive Council thereof, doth hereby direct that, in pursuance of the provisions of section 304 of the *Land Act* 1928, the unused and unmade roads referred to hereunder be closed, viz.:—

Township of Sebastopol, Parish of Ballarat, County of Grenville, being the road forming the northern boundary of allotment 9, section 12, and known as William-street.—(S.353(6) (J.27715).

Parish of Jindivick, County of Buln Buln, being the road between the State School Reserve and allotment 59b.—(J.34(7) (Misc.2614).

And the Honorable Robert Wilfred Holt, Her Majesty's Commissioner of Crown Lands and Survey for the State of Victoria, shall give the necessary directions herein accordingly.

A. MAHLSTEDT,
Clerk of the Executive Council.

DEPARTMENT OF CROWN LANDS AND SURVEY.

At the Executive Council Chamber, Melbourne, the sixth day of October, 1953.

PRESENT:

His Excellency the Administrator of the Government of the State of Victoria.

Mr. Holt | Mr. Smith.

REVOCATION OF ORDER IN COUNCIL TEMPORARILY RESERVING AND WITHHOLDING FROM SALE, LEASING, AND LICENSING CERTAIN LAND.

HIS Excellency the Administrator of the Government of the State of Victoria, by and with the advice of the Executive Council thereof, doth hereby, in pursuance of

the provisions of the *Land Act* 1928, revoke the temporary reservation and the withholding from sale, leasing, and licensing of the land mentioned hereunder:—

TALLYGAROPNA.—Order in Council of the 11th September, 1876, of 5 acres of land in the Parish of Tallygaroopna, as a site for Public purposes (State School).—(C.95437.)

And the Honorable Robert Wilfred Holt, Her Majesty's Commissioner of Crown Lands and Survey for the State of Victoria, shall give the necessary directions herein accordingly.

A. MAHLSTEDT,
Clerk of the Executive Council.

DEPARTMENT OF CROWN LANDS AND SURVEY.

At the Executive Council Chamber, Melbourne, the sixth day of October, 1953.

PRESENT:

His Excellency the Administrator of the Government of the State of Victoria.

Mr. Holt | Mr. Smith.

REVOCATIONS OF TEMPORARY RESERVATIONS OF LANDS.

HIS Excellency the Administrator of the Government of the State of Victoria, by and with the advice of the Executive Council thereof, doth hereby, in pursuance of the provisions of the *Land Act* 1928, revoke the temporary reservations of lands by Orders in Council hereinafter referred to, viz.:—

GALAQUIL.—Order in Council of the 15th November, 1910, of 5 acres of land in the Parish of Galaquil, as a site for a State School.—(C.77946.)

GUNDOWRING.—Orders in Council of the 16th September, 1872, and the 9th March, 1874, of 1 acre 3 roods 32 perches, and 3 acres 8 perches of land, respectively, in the Parish of Gundowring, as sites for State School purposes.—(C.34318.)

And the Honorable Robert Wilfred Holt, Her Majesty's Commissioner of Crown Lands and Survey for the State of Victoria, shall give the necessary directions herein accordingly.

A. MAHLSTEDT,
Clerk of the Executive Council.

HOSPITALS AND CHARITIES ACT 1948.—
SECTION 5 (c).

At the Executive Council Chamber, Melbourne, the sixth day of October, 1953.

PRESENT:

His Excellency the Administrator of the Government of the State of Victoria.

Mr. Holt | Mr. Smith.

VARIATION OF AN ORDER EXEMPTING CERTAIN BUSH NURSING HOSPITALS FROM THE PROVISIONS OF THE HOSPITALS AND CHARITIES ACT 1948 (No. 5300).

PURSUANT to the provisions of section 5 (c) of Act No. 5300, His Excellency the Administrator of the Government of the State of Victoria, by and with the advice of the Executive Council thereof, by this present Order amends the Order in Council dated the twenty-fourth day of April, One thousand nine hundred and forty-five, whereby certain bush nursing hospitals were exempted from the provisions of the *Hospitals and Charities Act* 1928, by deleting the name of the Healesville Bush Nursing Hospital.

And the Honorable William Peter Barry, Her Majesty's Minister of Health for the State of Victoria, shall give the necessary directions herein accordingly.

A. MAHLSTEDT,
Clerk of the Executive Council.

COUNTRY ROADS BOARD.

At the Executive Council Chamber, Melbourne, the
sixth day of October, 1953.

PRESENT:

His Excellency the Administrator of the Government of
the State of Victoria.

Mr. Holt | Mr. Smith.

ORDER APPROVING OF A NEW ROAD IN THE
SHIRE OF BELLARINE.

WHEREAS the Country Roads Board constituted under the *Country Roads Act 1928* (No. 3662) has represented to His Excellency the Governor in Council that it appears to it desirable that the new Point Lonsdale-Ocean Grove road in the Shire of Bellarine should be made by the said Board: And whereas the said Board in accordance with the requirements of section 4 of the *Country Roads Act 1936* (No. 4458) and of section 19 of the said first cited Act has caused to be prepared a map plan and estimate showing the points between which and on and through what land the said new road is proposed to be made and the cost of acquiring the land and constructing the said new road: And whereas on an inspection of the said map and plan and a consideration of the said estimate His Excellency the Governor in Council is satisfied that there are funds legally available for acquiring the land and constructing the said new road: Now therefore be it known by this present Order that His Excellency the Administrator of the Government of the State of Victoria with the advice of the Executive Council thereof doth hereby approve of the said road being made, that is to say:—

All that piece of land in the Parish of Bellarine, the boundaries of which are as follow:—

Commencing at a point on the southern boundary of allotment 6, section 18^a of the said parish, distant 90 deg. 0 min. 644.3 links from the south-western angle of the said allotment; thence by lines bearing respectively 71 deg. 17 min. 800.1 links, 236 deg. 30 min. 465.3 links, and 270 deg. 0 min. 369.8 links to the point of commencement.

Also, all those pieces of land in the Parish of Paywit, the boundaries of which are as follow:—

- (a) Commencing at the north-western angle of allotment 23, section 3, of the said parish; thence by lines bearing respectively 107 deg. 21 min. 490 links, 269 deg. 13 min. 541.3 links, and 25 deg. 25 min. 172.9 links to the point of commencement.
- (b) Commencing at the south-western angle of allotment C, section 3, of the said parish; thence by lines bearing respectively 287 deg. 27½ min. 553.7 links, 99 deg. 15 min. 249 links, 89 deg. 5 min. 343.3 links, and 204 deg. 48 min. 145 links to the point of commencement.
- (c) Commencing at a point on the western boundary of allotment 18, section 3, of the said parish, distant 204 deg. 48 min. 2,056.2 links from the north-western angle of the said allotment; thence by lines bearing respectively 69 deg. 16 min. 424.2 links, 234 deg. 37 min. 597.6 links, and 24 deg. 48 min. 215.8 links to the point of commencement.
- (d) Commencing at a point on the northern boundary of the southern portion of allotment 16, section 3, of the said parish, distant 54 deg. 37 min. 273.3 links from the north-western angle of the said southern portion; thence by lines bearing respectively 54 deg. 37 min. 368 links, 89 deg. 34 min. 340.5 links, and 251 deg. 22 min. 675.1 links to the point of commencement.
- (e) Commencing at a point on the northern boundary of allotment 14, section 3, of the said parish, distant 297 deg. 24 min. 1,865.5 links from the north-eastern angle of the said allotment; thence by lines bearing respectively 282 deg. 42 min. 586.5 links, 89 deg. 34 min. 318.8 links, and 117 deg. 24 min. 285.4 links to the point of commencement.

which said pieces of land are particularly delineated and shown coloured red on survey plan numbered 5786, lodged in the office of the Country Roads Board.

And the Honorable Samuel Merrifield, Her Majesty's Commissioner of Public Works for the State of Victoria, shall give the necessary directions herein accordingly.

A. MAHLSTEDT,
Clerk of the Executive Council,

COUNTRY ROADS BOARD.

At the Executive Council Chamber, Melbourne, the
sixth day of October, 1953.

PRESENT:

His Excellency the Administrator of the Government of
the State of Victoria.

Mr. Holt | Mr. Smith.

ORDER APPROVING OF A DEVIATION FROM A MAIN
ROAD IN THE SHIRE OF MORWELL.

WHEREAS the Country Roads Board constituted under the *Country Roads Act 1928* (No. 3662) has represented to His Excellency the Governor in Council that it appears to it desirable that the deviation hereinafter referred to from the existing Morwell-Mirboo road in the Shire of Morwell (declared to be a main road under the said Act which declaration was confirmed by the Order in Council published in the *Government Gazette* of the 5th October, 1932, on page 2618) should be made by the said Board: And whereas the said Board in accordance with the requirements of section 19 of the said cited Act has caused to be prepared a map plan and estimate showing the points between which and on and through what land the said deviation is proposed to be made and the cost of acquiring the land and constructing the said deviation: And whereas on an inspection of the said map and plan and a consideration of the said estimate His Excellency the Governor in Council is satisfied that there are funds legally available for acquiring the land and constructing the said deviation: Now therefore be it known by this present Order that His Excellency the Administrator of the Government of the State of Victoria with the advice of the Executive Council thereof doth hereby approve of the said road being made, that is to say:—

All those pieces of land in the Parish of Mirboo, the boundaries of which are as follow:—

- (a) Commencing at a point on the south-eastern boundary of allotment 9B of the said parish, distant 285 deg. 28½ min. 494 links, and 225 deg. 28½ min. 694.8 links from the south-eastern angle of the said allotment; thence by lines bearing respectively 225 deg. 28½ min. 950.2 links, 269 deg. 36½ min. 66.4 links, 335 deg. 2½ min. 924.4 links, 137 deg. 57½ min. 215.2 links, 123 deg. 19½ min. 450.9 links, 77 deg. 52½ min. 447 links, and 51 deg. 2½ min. 226.3 links to the point of commencement.
- (b) Commencing at the south-eastern angle of allotment 9B of the said parish; thence by lines bearing respectively 285 deg. 28½ min. 494 links, 49 deg. 13 min. 113.4 links, 59 deg. 33½ min. 351.9 links, and 167 deg. 16½ min. 393.9 links to the point of commencement.

Also, all those pieces of land in the Parish of Budgeree, the boundaries of which are as follow:—

- (a) Commencing at the south-eastern angle of allotment 5A, section A, of the said parish; thence by lines bearing respectively 274 deg. 39½ min. 36 links, 38 deg. 27½ min. 64.8 links, and 184 deg. 39½ min. 53.8 links to the point of commencement.
- (b) Commencing at a point on the western boundary of allotment 5, section A, of the said parish, distant 201 deg. 18½ min. 622 links, and 224 deg. 30½ min. 47.6 links from the northern angle of allotment 4B of the said section; thence by lines bearing respectively 197 deg. 10 min. 656.7 links, 218 deg. 16 min. 166.2 links, 4 deg. 39½ min. 498.9 links, and 44 deg. 30½ min. 365.4 links to the point of commencement.

which said pieces of land are particularly delineated and shown coloured red on Survey Plan numbered 5776, lodged in the Office of the Country Roads Board.

And the Honorable Samuel Merrifield, Her Majesty's Commissioner of Public Works for the State of Victoria, shall give the necessary directions herein accordingly.

A. MAHLSTEDT,
Clerk of the Executive Council,

BENALLA SEWERAGE AUTHORITY.

At the Executive Council Chamber, Melbourne, the sixth day of October, 1953.

PRESENT:

His Excellency the Administrator of the Government of the State of Victoria.

Mr. Holt | Mr. Smith.

CONSENT TO BORROWING £15,000.

UNDER the powers conferred by the Sewerage Districts Acts and all other powers enabling him in that behalf, His Excellency the Administrator of the Government of the State of Victoria, by and with the advice of the Executive Council of the said State, doth hereby consent to the Benalla Sewerage Authority borrowing by the issue of debentures a sum of Fifteen thousand pounds (£15,000) to meet the cost of sewer reticulation extensions, as set forth in the detailed statement bearing date the 1st October, 1953.

And the Honorable Clive Phillip Stoneham, Her Majesty's Minister of Water Supply for the State of Victoria, shall give the necessary directions herein accordingly.

A. MAHLSTEDT,
Clerk of the Executive Council.

BENDIGO CREEK IMPROVEMENT TRUST.

At the Executive Council Chamber, Melbourne, the sixth day of October, 1953.

PRESENT:

His Excellency the Administrator of the Government of the State of Victoria.

Mr. Holt | Mr. Smith.

LIMIT OF BORROWING POWER.

UNDER the powers conferred by the Water Acts and all other powers thereunto him enabling, His Excellency the Administrator of the Government of the State of Victoria, by and with the advice of the Executive Council of the said State, doth hereby specify that the sums of money which may be borrowed by the Bendigo Creek Improvement Trust, pursuant to the provisions of the *Water Act 1952*, as amended by the *Water (Amendment) Act 1953*, shall not exceed in the whole the sum of Eight thousand pounds (£8,000).

And the Honorable Clive Phillip Stoneham, Her Majesty's Minister of Water Supply for the State of Victoria, shall give the necessary directions herein accordingly.

A. MAHLSTEDT,
Clerk of the Executive Council.

MORWELL WATERWORKS TRUST.

At the Executive Council Chamber, Melbourne, the sixth day of October, 1953.

PRESENT:

His Excellency the Administrator of the Government of the State of Victoria.

Mr. Holt | Mr. Smith.

LIMIT OF BORROWING POWER.

UNDER the powers conferred by the Water Acts and all other powers enabling him in that behalf, His Excellency the Administrator of the Government of the State of Victoria, by and with the advice of the Executive Council of the said State, doth hereby specify that the amount of money which may be borrowed by the Morwell Waterworks Trust, pursuant to the *Water Act 1952* (No. 5637), shall not exceed in the whole the sum of One hundred thousand pounds (£100,000).

And the Honorable Clive Phillip Stoneham, Her Majesty's Minister of Water Supply for the State of Victoria, shall give the necessary directions herein accordingly.

A. MAHLSTEDT,
Clerk of the Executive Council.

MACEDON WATERWORKS TRUST.

At the Executive Council Chamber, Melbourne, the sixth day of October, 1953.

PRESENT:

His Excellency the Administrator of the Government of the State of Victoria.

Mr. Holt | Mr. Smith.

LIMIT OF BORROWING POWER.

UNDER the powers conferred by the Water Acts and all other powers enabling him in that behalf, His Excellency the Administrator of the Government of the State of Victoria, by and with the advice of the Executive Council of the said State, doth hereby specify that the amount of money which may be borrowed by the Macedon Waterworks Trust, pursuant to the *Water Act 1952* (No. 5637), shall not exceed in the whole the sum of Ten thousand pounds (£10,000).

And the Honorable Clive Phillip Stoneham, Her Majesty's Minister of Water Supply for the State of Victoria, shall give the necessary directions herein accordingly.

A. MAHLSTEDT,
Clerk of the Executive Council.

MORWELL WATERWORKS TRUST.

At the Executive Council Chamber, Melbourne, the sixth day of October, 1953.

PRESENT:

His Excellency the Administrator of the Government of the State of Victoria.

Mr. Holt | Mr. Smith.

CONSENT TO BORROWING £5,000.

UNDER the powers conferred by the Water Acts and all other powers enabling him in that behalf, His Excellency the Administrator of the Government of the State of Victoria, by and with the advice of the Executive Council of the said State, doth hereby consent to the Morwell Waterworks Trust borrowing by the issue of debentures the sum of Five thousand pounds (£5,000) to meet the cost of pipe mains, as set forth in the detailed statement bearing date the 28th September, 1953.

And the Honorable Clive Phillip Stoneham, Her Majesty's Minister of Water Supply for the State of Victoria, shall give the necessary directions herein accordingly.

A. MAHLSTEDT,
Clerk of the Executive Council.

LEONGATHA WATERWORKS TRUST.

At the Executive Council Chamber, Melbourne, the sixth day of October, 1953.

PRESENT:

His Excellency the Administrator of the Government of the State of Victoria.

Mr. Holt | Mr. Smith.

EXTENT OF DISTRICT INCREASED.

UNDER the powers conferred by the Water Acts and all other powers enabling him in that behalf, His Excellency the Administrator of the Government of the State of Victoria, by and with the advice of the Executive Council of the said State, doth hereby declare, order, and direct as follows:—

That the extent of the Waterworks District of the Leongatha Waterworks Trust be increased by adding to the same the lands comprised within the boundaries described in the Schedule hereto, and as on and from the date hereof the extent of such district shall be deemed to be increased accordingly.

SCHEDULE.

Commencing at a point on the northern boundary of Crown allotment 59F, Parish of Leongatha, County of Buln Buln, distant 1,426.2 links east from the most westerly

angle of the said Crown allotment 59f, being a point on the southern boundary of the existing Waterworks District of the Leongatha Waterworks Trust; thence southerly by a line bearing south 2 deg. 24 min. west a distance of 2,385.9 links across the said Crown allotment 59f and portion of Crown allotment 59e to a point in the said Crown allotment 59e; thence westerly by a line bearing south 83 deg. 13 min. west across portion of the said Crown allotment 59e and a road to a point on the eastern boundary of Crown allotment 59c; thence northerly along the said eastern boundary of Crown allotment 59c a distance of 1,004.8 links; thence north-westerly by a line bearing north 23 deg. 2 min. west a distance of 437.2 links across portions of the said Crown allotment 59c and Crown allotment 59a to a point in the said Crown allotment 59a; thence westerly and north-westerly by lines bearing south 88 deg. 56 min. west a distance of 700 links and north 23 deg. 2 min. west across the said Crown allotment 59a

to a point on its northern boundary, being a point on the southern boundary of the existing Waterworks District of the Leongatha Waterworks Trust; thence easterly along the said southern boundary of the existing Waterworks District of the Leongatha Waterworks Trust to the point of commencement.

All of which boundaries are shown on a plan approved by the Governor in Council, and deposited in the office of the State Rivers and Water Supply Commission, Melbourne.—(Corres. 53/17197.)

And the Honorable Clive Phillip Stoneham, Her Majesty's Minister of Water Supply for the State of Victoria, shall give the necessary directions herein accordingly.

A. MAHLSTEDT,
Clerk of the Executive Council.

MENTAL HYGIENE AUTHORITY ACT 1950 (No. 5519).—
SECTION 21.

*At the Executive Council Chamber, Melbourne, the
sixth day of October, 1953.*

PRESENT:

His Excellency the Administrator of the Government of the State of Victoria.

Mr. Holt

Mr. Smith.

MENTAL HYGIENE AUTHORITY REGULATIONS 1953 (No. 5).

PURSUANT to the powers conferred by section 21 of the *Mental Hygiene Authority Act 1950* (No. 5519), His Excellency the Administrator of the Government of the State of Victoria, by and with the advice of the Executive Council thereof, doth hereby make the Mental Hygiene Authority Regulations 1953 (No. 5) amending in the manner following the Mental Hygiene Authority Regulations 1952:—

1. The expression "More than four, but not more than eight weeks" appearing in paragraph (d) of Regulation 26 is deleted and the expression "More than four weeks at the same place" is inserted in lieu thereof.

2. These Regulations shall have effect on and from the 1st July, 1953.

And the Honorable William Peter Barry, Her Majesty's Minister of Health for the State of Victoria, shall give the necessary directions herein accordingly.

A. MAHLSTEDT,
Clerk of the Executive Council.

SOIL CONSERVATION AND LAND UTILIZATION ACT 1947.

*At the Executive Council Chamber, Melbourne, the
thirteenth day of October, 1953.*

PRESENT:

His Excellency the Administrator of the Government of the State of Victoria.

Mr. Smith

Mr. Scully.

REGULATIONS.

IN pursuance of the powers conferred by the *Soil Conservation and Land Utilization Act 1947*, His Excellency the Administrator of the Government of the State of Victoria, by and with the advice of the Executive Council thereof, doth hereby make the following Regulations, that is to say:—

1. These Regulations may be cited as the Soil Conservation Authority District Advisory Committee Election Regulations 1953 and shall come into operation upon publication in the *Government Gazette*.

2. Not less than twenty-eight days before the holding of elections for the selection of persons to be eligible for appointment as persons representing grazing, agricultural and other relevant interests on a district advisory committee for a soil conservation district the Authority shall—

- (1) cause to be published in local newspapers circulating in the said district; and
- (2) forward to each municipal clerk of a municipality within the said district—

a notice setting out—

- (a) that nominations of persons eligible for appointment made in writing by the nominator and seconder, who shall be owners or occupiers of grazing, agricultural or other relevant lands, and acknowledged by the nominee, should be lodged with the District Conservation Officer not less than fourteen days before the time of the elections;
- (b) that if necessary elections will be held for the purpose aforesaid;
- (c) the centres at which public meetings are to be held for the purpose of conducting such elections;
- (d) the time and date on, and the places at, which the public meeting is to be held at each centre; and
- (e) that all owners or occupiers of grazing, agricultural or other relevant land in the said district are entitled to be present at such public meetings and to vote at the elections held thereat.

3. Each municipal clerk shall, on the receipt of the said notice from the Authority, cause such notice to be posted, and to remain posted until after the holding of the public meetings referred to therein, at the municipal office of the municipality of which he is municipal clerk.

4. (1) At each such public meeting a person authorized for the purpose by the Authority shall preside and shall submit the names of persons nominated to the meeting in order of nomination for election by a show of hands or by ballot of such owners and occupiers who in the opinion of the presiding officer are eligible to vote and shall declare elected the person who receives the greatest number of votes.

(2) One person only shall be elected at each public meeting.

5. (1) The person who presides at such public meeting shall forthwith forward to the Authority, at its office in Melbourne, a signed statement of the result of the election at such public meeting.

(2) If only one nomination is received in respect of any centre at which an election is to be held and such election becomes unnecessary then the District Conservation Officer shall forward the nomination of the person nominated to the Authority.

The District Advisory Committee Election Regulations 1950 made by Order in Council on the 18th day of April, 1950, are hereby repealed.

And the Honorable Robert Wilfred Holt, Her Majesty's Minister for Conservation in the State of Victoria, shall give the necessary directions herein accordingly.

A. MAHLSTEDT,
Clerk of the Executive Council.

EXPLOSIVES ACT 1928.

*At the Executive Council Chamber, Melbourne, the
thirteenth day of October, 1953.*

PRESENT:

His Excellency the Administrator of the Government of the
State of Victoria.

Mr. Smith

|

Mr. Scully.

REGULATIONS RELATING TO THE CARRIAGE OF EXPLOSIVES.

HIS Excellency the Administrator of the Government of the State of Victoria, in the Commonwealth of Australia, by and with the advice of the Executive Council of the said State, and in pursuance

of the powers conferred by the *Explosives Act* 1928 and all other powers him thereunto enabling, doth make the Regulations following (that is to say):—

The Regulations relating to the carriage of explosives made by the Governor in Council on the twenty-eighth day of November, 1932, and published in the *Government Gazette* of the thirtieth day of November, 1932, are hereby amended as follows:—

1. In paragraph (ii) of clause eleven of the said Regulations, the expression "10,000 lb." is hereby revoked and the expression "12,000 lb." is substituted therefor.
2. In paragraph (iv) of clause eleven of the said Regulations—
 - (a) the expression "40,000 lb." is hereby revoked and the expression "60,000 lb." is substituted therefor;
 - (b) the expression "10,000 lb." is hereby revoked and the expression "12,000 lb." is substituted therefor.

And the Honorable Archibald McDonald Fraser, for and on behalf of Her Majesty's Chief Secretary for the State of Victoria, shall give the necessary directions herein accordingly.

A. MAHLSTEDT,
Clerk of the Executive Council.

TOTALIZATOR ACTS.

*At the Executive Council Chamber, Melbourne, the
thirteenth day of October, 1953.*

PRESENT:

His Excellency the Administrator of the Government of the
State of Victoria.

Mr. Smith

Mr. Scully.

REGULATIONS.

HIS Excellency the Administrator of the Government of the State of Victoria in the Commonwealth of Australia, by and with the advice of the Executive Council of the said State and in pursuance of the powers conferred by the Totalizator Acts and all other powers him thereunto enabling, doth hereby make the Regulations following (that is to say):—

The Totalizator Regulations 1931 as amended from time to time are hereby amended as follows:—

In clause two of the said Regulations, the interpretation "Starter" is hereby revoked and the following interpretation substituted therefor:—

"Starter in any race or division of a race means (except for the purposes of Regulation 5 hereof) a horse, the driver, rider or jockey of which is ordered by the official starter to line up at or behind the starting point and which is not subsequently declared by the stewards to be withdrawn from the race."

And the Honorable Archibald McDonald Fraser, for and on behalf of Her Majesty's Chief Secretary for the State of Victoria, shall give the necessary directions herein accordingly.

A. MAHLSTEDT,
Clerk of the Executive Council.

GAS REGULATION ACT 1933.

At the Executive Council Chamber, Melbourne the thirteenth day of October, 1953.

PRESENT:

His Excellency the Administrator of the Government of the State of Victoria.

Mr. Smith | Mr. Scully.

HIS Excellency the Administrator of the Government of the State of Victoria, by and with the advice of the Executive Council thereof, and in pursuance of the powers conferred by the *Gas Regulation Act 1933*, doth by this Order specify the

COLONIAL GAS ASSOCIATION LIMITED
(in respect of the Shepparton and Wangaratta portions of its undertaking)

as an undertaker to which the provisions of the said Act shall apply, as from the first day of October, 1953.

And the Honorable Leslie William Galvin, Her Majesty's Chief Secretary for the State of Victoria, shall give the necessary directions herein accordingly.

A. MAHLSTEDT,
Clerk of the Executive Council.

BALLARAT WATER COMMISSIONERS.

At the Executive Council Chamber, Melbourne the thirteenth day of October, 1953.

PRESENT:

His Excellency the Administrator of the Government of the State of Victoria.

Mr. Smith | Mr. Scully.

AMENDMENT OF ORDER.

UNDER the powers conferred by the Water Acts and all other powers enabling him in that behalf, His Excellency the Administrator of the Government of the State of Victoria, by and with the advice of the Executive Council of the said State, doth hereby amend as follows the Order in Council made on the 29th day of June, 1953, and published in the *Government Gazette* dated 1st day of July, 1953, consenting to the Ballarat Water Commissioners borrowing at interest, subject to the Water Acts, the sum of Twenty thousand pounds (£20,000).

After the word "interest" there shall be added the words "at the rate of £4 17s. 6d. per cent. per annum".

And the Honorable Clive Phillip Stoneham, Her Majesty's Minister of Water Supply for the State of Victoria, shall give the necessary directions herein accordingly.

A. MAHLSTEDT,
Clerk of the Executive Council.

FACTORIES AND SHOPS ACTS.

At the Executive Council Chamber, Melbourne the thirteenth day of October, 1953.

PRESENT:

His Excellency the Administrator of the Government of the State of Victoria.

Mr. Smith | Mr. Scully.

A DEVICE KNOWN AS THE NAMCO MODEL 5 "MERCURY" PRESSURE COOKER (FIVE-PINT CAPACITY) EXEMPTED FROM CERTAIN PROVISIONS OF THE FACTORIES AND SHOPS ACTS.

BY the virtue of the powers conferred by section 57 of the *Factories and Shops Act 1928*, His Excellency the Administrator of the Government of the State of Victoria, by and with the advice of the Executive Council thereof, doth by this Order exempt from the operation of Division 16 of Part III. of the *Factories and Shops Act 1928*, the class of steam boiler known as the Namco Model 5 "Mercury" Pressure Cooker (5 pints capacity), when manufactured in accordance with the specifications and sample lodged with the Chief Inspector of Factories by Namco Products Proprietary Limited, of Railway-avenue, East Oakleigh, until a further Order is made.

And the Honorable Archibald McDonald Fraser, Her Majesty's Minister of Labour for the State of Victoria, shall give the necessary directions herein accordingly.

A. MAHLSTEDT,
Clerk of the Executive Council.

MARKETING OF PRIMARY PRODUCTS ACT 1935 (No. 4337).

At the Executive Council Chamber, Melbourne the thirteenth day of October, 1953.

PRESENT:

His Excellency the Administrator of the Government of the State of Victoria.

Mr. Smith | Mr. Scully.

APPOINTMENT OF A DAY FOR A POLL TO BE TAKEN OF THE PRODUCERS OF POTATOES FOR THE ELECTION OF A REPRESENTATIVE OF PRODUCERS TO BE AN ELECTIVE MEMBER OF THE POTATO MARKETING BOARD.

IN pursuance of the provisions in that behalf contained in the *Marketing of Primary Products Act 1935* (No. 4337), His Excellency the Administrator of the Government of the State of Victoria, in the Commonwealth of Australia, by and with the advice of the Executive Council of the said State, doth by this Order hereby appoint Thursday, the tenth day of December, 1953, as the day for a poll to be taken of producers of potatoes for the election of one (1) representative to be an elective member of the Potato Marketing Board and doth further appoint an electoral area defined as follows for such election, that is to say:—

The Bacchus Marsh and Ballan subdivisions of the State Electoral District of Grant; the Linton, Sebastopol, Smythesdale and Warranheip subdivisions of the State Electoral District of Hampden; the Gisborne and Lancefield subdivisions of the State Electoral District of Mernda; and the State Electoral Districts of Allendale, Ballarat, Bendigo, Borung, Korong, Midlands, Mildura, Rainbow, Ripon, Rodney and Swan Hill.

And the Honorable Clive Phillip Stoneham, Her Majesty's Minister of Agriculture for the State of Victoria, shall give the necessary directions herein accordingly.

A. MAHLSTEDT,
Clerk of the Executive Council.

PRICES REGULATION ACTS.

At the Executive Council Chamber, Melbourne the thirteenth day of October, 1953.

PRESENT:

His Excellency the Administrator of the Government of the State of Victoria.

Mr. Smith | Mr. Scully.

NOTICE OF REVOCATION OF DECLARATION OF CERTAIN GOODS AS DECLARED GOODS FOR THE PURPOSES OF PART II. OF THE PRICES REGULATION ACT 1948.

IN pursuance of the powers conferred upon him by the *Prices Regulation Act 1948*, His Excellency the Administrator of the Government of the State of Victoria, by and with the advice of the Executive Council thereof, doth hereby revoke the declarations heretofore made of the following goods as declared goods for the purposes of Part II. of the Act, that is to say:—

- The following items of fibres, yarns, threads, and fabrics, viz.:—
Yarns of the following kinds and descriptions, namely:—flax, jute, hemp, sisal, manilla, coir.
- The following items of household equipment and appliances, viz.:—
Stoves and stovettes, domestic; wash troughs and coppers.
- The following items of miscellaneous goods, viz.:—
Batteries, dry; lead acid storage batteries and components thereof, including battery boxes; used wet storage batteries.

The sub-headings shown in this notice are to facilitate reference to the goods which are the subject of this notice. They shall not be read or construed as extending or defining the scope of any of the items under the sub-headings or of the goods included in such items.

And the Honorable William Slater, Her Majesty's Minister in Charge of Prices for the State of Victoria, shall give the necessary directions herein accordingly.

A. MAHLSTEDT,
Clerk of the Executive Council.

APPROACHING LAND SALES.

SALES of Crown lands, in fee-simple, will be held at the under-mentioned places and dates, viz.:-

	No. of Gazette.
Alexandra.—Friday, 16th October, 1953	777
Benalla.—Tuesday, 20th October, 1953	777
Kaniva.—Tuesday, 10th November, 1953	784

RETIREMENT AND APPOINTMENT OF MANAGERS OF COMMONS.

IT is hereby notified for the information of all persons entitled to depasture stock on commons that successors to the individual managers thereof, who will retire on the 31st December, 1953, should be elected before the close of the year by the persons interested at public meetings duly convened for the purpose by the President of the Shire. The names, in full, of the gentlemen who may be elected for either one (1), two (2), or three (3) years, should be forwarded to the Department of Crown Lands and Survey.

R. W. HOLT,
Commissioner of Crown Lands and Survey.

Department of Crown Lands and Survey,
Melbourne, 12th October, 1953.

PROPOSED REVOCATIONS OF TEMPORARY RESERVATIONS OF LANDS BY ORDERS IN COUNCIL.

IN pursuance of the provisions of the Land Act 1928, notice is hereby given that it is the intention of the Governor in Council to revoke the temporary reservations of lands by Orders in Council hereunder referred to, viz.:-

The following Notices were published 1° on the 23rd September, 1953, pursuant to Orders of the 15th September, 1953.

MINIMAY.—The temporary reservation, by Order in Council of the 5th May, 1885, of 4 acres 3 roods 32 perches of land in the Parish of Minimay, as a site for State School purposes, is about to be revoked.—(M.478^(s)) (C.95214).

TARADALE.—The temporary reservation, by Order in Council of the 14th October, 1872, of 55 acres, more or less, of land in the Town of Taradale, as a site for Public

Park and Recreation purposes, revoked as to part by Order of the 11th December, 1917, is about to be revoked so far as the balance thereof containing 49 acres, more or less, is concerned.—(T.32^(s)) (Rs.1831).

R. W. HOLT,
Commissioner of Crown Lands and Survey.

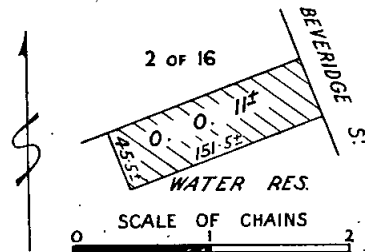
PROPOSED REVOCATIONS OF TEMPORARY RESERVATIONS OF LANDS BY ORDERS IN COUNCIL.

IN pursuance of the provisions of the Land Act 1928, notice is hereby given that it is the intention of the Governor in Council to revoke the temporary reservations of lands by Orders in Council hereunder referred to, viz.:-

The following Notices were published 1° on the 14th October, 1953, pursuant to Orders of the 6th October, 1953.

SCORESBY.—The temporary reservation, by Order in Council of the 29th November, 1894, of 6a. 1r. 38p. of land in the Parish of Scoresby, as a site for a Quarry, is about to be revoked.—(S.250^(A)) (Rs.439).

SWAN HILL.—The temporary reservation, by Order in Council of the 14th June, 1898, of 2 roods of land in the Township of Castle Donnington (now Swan Hill), being allotment 3 of section 16, as a site for Water Supply purposes, is about to be revoked so far only as the portion containing 11 perches, more or less, indicated by hachure on plan hereunder, is concerned.—(S.464^(s)) (C.78011).



R. W. HOLT,
Commissioner of Crown Lands and Survey.

Land Act 1928.

LICENCE UNDER THE LAND ACT 1915 DECLARED VOID.

NOTICE is hereby given that the Licence in the Schedule hereunder has been declared void for the reason specified.

District.	Corr. No.	Name of Licensee.	Section of Land Act under which Licensed.	Parish.	Allotment.	Section.	Area.	Annual Rental.	Reason for Voiding.
Castlemaine	03/103	Mary Ellen Grigg	103	Maldon	20A	F	A. R. P. 18 2 5	£ s. d. 0 2 6	Non-compliance with conditions

Department of Crown Lands and Survey,
Melbourne, 14th October, 1953.

R. W. HOLT,
Commissioner of Crown Lands and Survey.

Land Act 1928.

PERMIT CANCELLED.

NOTICE is hereby given that the Permit mentioned in the Schedule hereunder has been cancelled.

District.	Corr. No.	Name of Permit Holder.	Parish.	Allotment.	Section.	Area.
Bairnsdale	304/44	Nicola Fatone	Wy Yung	Parts 10 and 10A	4	A. R. P. 10 0 0

Department of Crown Lands and Survey,
Melbourne, 14th October 1953.

R. W. HOLT,
Commissioner of Crown Lands and Survey.

THE CLOSER SETTLEMENT ACTS.

NOTICE is hereby given that the Board of Land and Works has accepted the surrender of the Lease mentioned in the Schedule hereunder for the reason specified.

LEASES UNDER THE CLOSER SETTLEMENT ACT 1938.

Corr.	District.	Lessee.	Allotments.	Section.	Parish.	Area.	Remarks.
995/12	Mallee	Ryan, J. A.	7		Liparoo	A. R. P. 1,384 1 27	Surrendered as from 29th February, 1952, as Lessee has been granted perpetual lease as from 1st March, 1952, pursuant to provisions of the North-West Mallee Settlement Areas Act

14th October, 1953.

W. M. CRAWFORD,
Secretary for Lands.

TENDERS.

TENDERS will be received at this office until **TEN A.M.** on the days and for the purposes under mentioned.

Particulars may be learnt at this Office and also at places shown in parenthesis.

W.O. means Inspector of Works Office; P.S.—Police Station; T.S.—Technical School; H.E.S.—Higher Elementary School; S.S.—State School; H.S.—High School.

The Board of Land and Works will not necessarily accept the lowest or any tender.

NOTE.—No preliminary deposits are to be lodged with tenders, but a deposit, in accordance with the following Schedule, will be required from the successful tenderer:—

	£
For contract amounts not exceeding £200	2
For contract amounts exceeding £200 and not exceeding £500	5
For contract amounts exceeding £500 and not exceeding £1,000	10
For contract amounts exceeding £1,000—1 per cent. of tender	500
	(maximum deposit)

20th October, 1953.

Ararat.—Painting, repairs, &c., No. 24 and No. 26 Rundle-street, residences, S.S. No. 800. (W.O., Ararat; P.S., Stawell.)

Ararat.—Supply and installation of refrigeration machines and equipment at Main Kitchen, Mental Hospital. (W.O., Ballarat.) (Amended specification.)

Ballarat.—Supply and delivery of woodwork machinery and electric motors, Mental Hospital.

Ballarat.—Supply and delivery of Bain Marie, hot press, and urns for Staff Mess, Mental Hospital.

Balmoral.—Electrical installation in four-unit teachers' flats, Group School. (W.O., Horsham, Hamilton; Group School, Balmoral.)

Berringama.—Repairs and painting, S.S. No. 2967. (W.O., Wangaratta; S.S., Berringama.)

Carlton.—Repairs to roof, State Offices Annexe.

Croydon North.—Repairs, &c., and painting to school and residence, S.S. No. 1992. (S.S., Croydon North.)

Dartmoor.—Extension of classroom and repairs, S.S. No. 1935. (W.O., Hamilton; P.S., Portland; S.S., Dartmoor.)

Euroa.—Partitioning of new office, Transport Regulation Board Office. (W.O., Benalla; P.S., Euroa.)

Frankston.—Erection of No. 1 shelter pavilion, S.S. No. 1464. (S.S., Frankston.)

Geelong.—Supply and installation of air-conditioning equipment for Gauge Room, Gordon Institute of Technology.

Glenmaggie.—Alterations to residence, S.S. No. 1576. (W.O., Bairnsdale; S.S., Glenmaggie.)

Glenroy.—Erection of garage, provision of double gates, &c., P.S.

Granite Rock.—Repairs and painting, S.S. No. 4339. (W.O., Bairnsdale; S.S., Granite Rock.)

Heywood.—Erection of out-office block, Consolidated School. (W.O., Hamilton, Warrnambool; P.S., Portland.)

Heywood.—Renovations of infants' school building, S.S. No. 297. (W.O., Hamilton, Warrnambool; P.S., Portland.)

Hopetoun.—Repairs and renewals to party and non-party fencing, S.S. No. 3167. (W.O., Warracknabeal; P.S., Hopetoun.)

Horsham.—Supply and delivery of machine tools to the H.S.

Kew.—Supply and erection of underfired three-pass steam boiler on brickwork setting with screw-feed mechanical stoker, Mental Hospital. (W.O., Ballarat.)

Korumburra.—Repairs, alterations, and additions, P.S. (W.O., Korumburra.)

Kyneton.—Sale and removal of residence, No. 5 Baynton-street, S.S. No. 343. (W.O., Kyneton; P.S., Daylesford; S.S., Kyneton.)

Mildura West.—Renovations, repairs, painting to teacher's residence, No. 119 Twelfth-street, S.S. No. 3983. (W.O., Mildura; S.S., Mildura West.)

Morwell.—Purchase and removal of residence, garage, fencing, &c., Lot 34, Maryvale-road, proposed Post Primary School. (W.O., Traralgon; P.S., Morwell.)

Pakenham.—External renovation of main building and infant school, Consolidated School. (W.O., Korumburra; Consolidated School, Pakenham.)

Port Melbourne.—Renovation to exterior of P.S. and Sergeant's Quarters, P.S.

Port Melbourne.—Sale and removal of two huts at Lorimer-street, State Accommodation.

Preston.—New water services, T.S. (T.S., Preston.)

Queenscliff.—Electric hot-water service, residence, Ports and Harbors. (W.O., Geelong; residence, 4 King-street, Queenscliff.)

Queenscliff.—Supply and delivery of 100 30-ft. piles, head 18-in. diameter, base 14-in. diameter, New Harbor, Public Works Department.

Sale.—Painting and repairs, &c., T.S. (W.O., Bairnsdale; T.S., Sale.) (Amended specification.)

Skipton.—Various works and repairs to Quarters at P.S. (W.O., Camperdown; P.S., Skipton, Colac.)

Terang.—Erection of No. 2 shelter pavilions, H.S. (W.O., Camperdown, Warrnambool; H.S., Terang.)

Trafalgar.—New out-office accommodation and soakage pit, S.S. No. 2185. (W.O., Traralgon; S.S., Trafalgar.)

Tungamah.—Repairs and painting, &c., school and residence, S.S. No. 2225. (W.O., Benalla; S.S., Tungamah.)

Wangaratta.—Supply and installation of exhaust fans and unit heater (electric), H.S. (W.O., Wangaratta.)

Wareek.—Repairs and painting, S.S. No. 1419. (W.O., Maryborough; S.S., Wareek.)

Warragul.—Repairs and painting to residence, 113 Victoria-street, S.S. No. 2104. (W.O., Traralgon; S.S., Warragul.)

Warragul.—Supply and delivery of items equipment for Workshop Block, H.S.

Werrimull.—Erection of new out-offices and wood shed, Group School No. 4254. (W.O., Mildura; P.S., Redcliffs, Ouyen; Group School, Werrimull.) (Amended specification.)

Youanmite.—Renovations of external painting to school and out-offices, S.S. No. 3641. (W.O., Benalla; S.S., Youanmite.)

27th October, 1953.

Anakie.—Repairs and painting to school, S.S. No. 1910. (W.O., Geelong.) (Amended specification.)

Anakie.—Additions and alterations to teacher's residence, including new laundry and fuel store, S.S. No. 1910. (W.O., Geelong.) (Amended specification.)

Ararat.—Renovation of Farm Manager's residence, Mental Hospital. (W.O., Ballarat, Ararat.)

Ararat.—Electrical installation in Attendant's Quarters, "J" Ward, Mental Hospital. (W.O., Ballarat.)

Ballarat.—Installation of chemistry sinks, wastes, &c., School of Mines. (W.O., Ballarat.)

Ballarat.—Sale and removal of house and out-buildings, 129 Grant-street, T.S. (W.O., Ballarat.)

Beechworth.—Demolition and restoration of burnt-out section, remodelling Male Wards M1, 2, 5, 6, Mental Hospital. (W.O., Wangaratta; Mental Hospital, Beechworth.)

Corryong.—Electrical installation in prefabricated classrooms, H.S. (H.S., Corryong; W.O., Wangaratta.)

Heywood.—Erection of two timber shelter sheds, Consolidated School. (W.O., Hamilton, Warrnambool; P.S., Portland.)

Heywood.—Supply and installation of heating services, Consolidated School. (P.S., Heywood.)

Horsham.—Various works and painting to school residence, No. 2 Lilac-street, S.S. No. 298. (W.O., Horsham.)

Jamieson.—Repairs and painting, S.S. No. 841. (W.O., Alexandra; S.S., Jamieson.)

Katandra West.—Repairs and external painting, S.S. No. 4401. (W.O., Benalla; S.S., Katandra West.)

Kew.—Hot-water services to Wards F.6 and F.7, Cottages, Mental Hospital.

Langi Kal Kal.—Supply and installation of central heating and hot water in the new Dormitory Block, Reformatory. (W.O., Ballarat.)

Melbourne.—Renovations to Bailiff's Office, Law Courts.

Melbourne.—Central heating, new P.A.B.X., and Government Printer's Store, Treasury Buildings.

Mont Albert.—Additional out-office accommodation in brick, S.S. No. 3943. (S.S., Mont Albert.)

Mont Park.—Electrical installation in Medical Officer's residence (Waiora-road), Mental Hospital.

Point Lonsdale.—Supply, installation, and testing of an inter-communication telephone system, Signal Station. (A. T. Lee, P.W.D., Lightkeeper, Queenscliff.)

Warragul.—Alterations and renovations to residence (55 Bowen-street), S.S. No. 2104. (W.O., Traralgon; S.S., Warragul.)

Warragul.—Construction of out-office blocks and sewerage installation, &c., H.S. (W.O., Traralgon; H.S., Warragul.)

Warragul.—Installation of closets and laying of sewer drains, teachers' residences, H.S. (W.O., Traralgon; H.S., Warragul.)

Warrnambool.—Attention to roof, external repairs, and painting to all buildings on site, including Caretaker's Quarters, H.S. (W.O., Warrnambool; H.S., Warrnambool.)

Woodend.—Extension of porch, cupboards under sink, &c., S.S. No. 647. (W.O., Kyneton, Bendigo; S.S., Woodend.)

Wy Yung.—Repairs and painting, S.S. No. 1616. (W.O., Bairnsdale; S.S., Wy Yung.)

Yarrowonga.—Repairs, &c., S.S. No. 1819. (W.O., Benalla; S.S., Yarrowonga.) (Amended specification.)

3rd November, 1953.

Ballarat.—Alterations to main roof of Chemistry School, School of Mines. (W.O., Ballarat; School of Mines, Ballarat.)

Baxter.—Removal and re-erection of school building, shelter shed, out-offices, S.S. No. 3023. (P.S., Mornington; S.S., Baxter.) (Amended specification.)

Benalla.—Repairs and painting, Sergeant's Quarters, P.S. (W.O., Benalla.)

Castlemaine.—Renewal and repairs to fencing, S.S. No. 119. (W.O., Kyneton, Bendigo; P.S., Macedon, Daylesford; S.S., Castlemaine.) (Amended specification.)

Coleraine.—Demolition of existing out-offices and erection of two new out-offices, Court House. (P.S., Coleraine; W.O., Hamilton.) (Amended specification.)

Dollar.—Re-blocking of residence and provision of agricultural drain, S.S. No. 3473. (W.O., Korumburra; S.S., Dollar.)

Footscray.—Provision of skylights to double class-room, S.S. No. 1912. (S.S., Footscray.)

Gardenvale.—Provision of additional out-offices for girls, S.S. No. 3897.

Goorambat.—Repairs and renovations to teacher's residence, S.S. No. 3123. (W.O., Benalla; S.S., Goorambat.)

Kialla West.—Repairs and renewals to school and residence, S.S. No. 1727. (W.O., Shepparton; S.S., Kialla West.)

Landsborough.—Provision of new kitchen, bathroom, fly-screens to residence, S.S. No. 1862. (W.O., Maryborough, Bendigo; S.S., Landsborough.)

Langi Kal Kal.—Electrical installation, Dormitory Block, Training Depot. (W.O., Ballarat.)

Melbourne.—Supply and installation of new steam boiler and spreader stoker, Technical College. (W.O., Ballarat.)

Melbourne.—Purchase and removal of vertical cross tubular boiler from old boiler house at Government Cool Stores. (W.O., Bendigo.)

Melbourne.—Renovations to Index Room, Titles Office.

North Melbourne.—Removal of platforms and provision of new blackboards, &c., S.S. No. 2566.

Red Cliffs.—Installation of a hot-water service in sergeant's residence and single mien's quarters, P.S. (W.O., Mildura; P.S., Red Cliffs.)

Royal Park.—External painting of buildings, Receiving House, Mental Hospital.

Terang.—Repairs and painting, S.S. No. 617, residence, 47 Gray-street. (W.O., Camperdown; P.S., Colac; S.S., Terang.)

Tongala East.—Purchase of old school building, S.S. No. 1851. (W.O., Shepparton; P.S., Tongala.)

Wangaratta.—Renewal of flooring and main stairs, H.S. (W.O., Wangaratta.)

Windsor.—Erection of a new shelter pavilion and repairs to existing shelter pavilion, S.S. No. 1896. (S.S., Windsor.)

Winters Flat.—Proposed new windows, &c., external painting, S.S. No. 652. (W.O., Kyneton, Bendigo; S.S., Winters Flat.)

Wycheproof.—Extension to porch to school, S.S. No. 1757. (W.O., Swan Hill; S.S., Wycheproof.)

10th November, 1953.

Ballarat.—Provision of skylights, S.S. No. 2022. (W.O., Ballarat.)

Blackburn.—Two additional girls' out-offices, S.S. No. 2923.

Warracknabeal.—Supply and installation of mechanical services, District Hospital.

Warrnambool.—Alterations and additions, T.S. (W.O., Warrnambool, Geelong.)

Tenders to be addressed to the Honorable the Commissioner of Public Works, and envelope containing tender marked "Tender for

due

S. MERRIFIELD,
Commissioner of Public Works.

Public Works Department,
Melbourne, 13th October, 1953.

TENDERS FOR THE RIGHT TO REMOVE SALT.

TENDERS are invited by the Secretary for Lands, Melbourne, for the exclusive right to collect and remove salt from the areas described below, for the period of one year from 1st December, 1953, renewable annually as stated.

Tenders endorsed "Salt Tender" must reach the Secretary for Lands, State Treasury Buildings, Melbourne, C.2, not later than noon on Tuesday, the 17th November, 1953. Tenderers must supply full names and addresses, and no

tender will be received unless the total amount of fee offered for the period as stated, and Ten shillings (10s.) fee for preparation of licence, are enclosed. The licence is subject to a royalty charge as specified hereunder on all salt collected or removed. Sworn declarations must be furnished to the Secretary for Lands by the licensee when required, setting out the quantity removed.

The successful tenderer will be required to preserve the bottom of the lake or lakes or collecting grounds from injury, in accordance with instructions from any officer authorized by the Minister of Lands.

Plans of all buildings or other structures proposed to be erected on the licensed area must be submitted to and approved of by the Secretary for Lands, who reserves the right of entry for inspection by any officer authorized by him.

The licensee shall not assign, sublet, or part with his interest in the area, or any portion thereof, without the consent of the Minister of Lands.

The licence will be cancelled for non-payment of any annual fees or any royalty charges or breach of any conditions thereof, or if the licensee shall, for a period of twelve (12) months, fail to use the land bona fide for the purposes for which a licence has been issued.

The Governor in Council reserves the right to resume the area, or any part thereof, for public purposes.

Plans may be seen and all information obtained at Lands Department, Melbourne.

The highest or any tender not necessarily accepted.

R. W. HOLT,

Commissioner of Crown Lands and Survey.

Office of Lands and Survey,

Melbourne, 12th October, 1953.

Lot 1. Parish of Toolongrook, being the salt lake known as White Lake. Formerly held by James McIntyre Salt Pty. Ltd. Royalty, 2s. 6d. per ton. Period of occupation, one year from 1st December, 1953, renewable annually for four years from 1st December, 1954.—(Horsham 013/129.)

Lot 2. Parish of Toolongrook, being the salt lake known as Centre Lake. Formerly held by James McIntyre Salt Pty. Ltd. Royalty, 2s. 6d. per ton. Period of occupation, one year from 1st December, 1953, renewable annually for four years from 1st December, 1954.—(Horsham 014/129.)

Lot 3. Parishes of Toocan and Lowan, being the salt lakes situated between allotments 21b, 21e, and 25a, Parish of Toocan, and the salt lake known as Heard's Lake, between allotments 28b, 28c, 35a, and 48b, Parish of Toocan, and between allotments 1 and 1a, Parish of Lowan. Formerly held by James McIntyre Salt Pty. Ltd. Royalty, 2s. 6d. per ton. Period of occupation, one year from 1st December, 1953, renewable annually for four years from 1st December, 1954.—(Horsham 0110/129.)

Lot 4. Parish of Jilpanger, being the salt lake known as Bon Lake, west of allotments 1, 2, and 3. Formerly held by G. J. Brown and Sons. Royalty, 2s. 6d. per ton. Period of occupation, one year from 1st December, 1953, renewable annually for four years from 1st December, 1954.—(Horsham 06/129.)

Lot 5. Parish of Toolongrook, being the salt lake known as North Lake. Formerly held by G. J. Brown and Sons. Royalty, 2s. 6d. per ton. Period of occupation, one year from 1st December, 1953, renewable annually for four years from 1st December, 1954.—(Horsham 012/129.)

Lot 6. Parish of Benjeroop, being allotments 1 to 18 inclusive, section 4a. Known as Lake Kelly. Formerly held by K. R. Scriven. Royalty, 2s. per ton. Period of occupation, one year from 1st December, 1953, renewable annually for four years from 1st December, 1954. The former licensee shall have one month to remove any improvements.—(Kerang 0257/129.)

Lot 7. Parish of Kunat Kunat, County of Tatchera, being Lake Kunat. Area 23 acres. Formerly held by C. W. Robinson. Royalty, 2s. per ton. Period of occupation, one year from 1st December, 1953, renewable annually for four years from 1st December, 1954.—(Kerang 0206/129.)

PUBLIC SERVICE NOTICES.

PUBLIC SERVICE OF VICTORIA.—VACANCIES.

APPLICATIONS will be received by the Public Service Board up to Wednesday, the 28th October, 1953, from persons employed in the Public Service of Victoria, who are eligible and qualified, for appointment to the under-mentioned positions:—

ADMINISTRATIVE DIVISION.

Clerk, Class "B," Superannuation Board and Pensions Office, Department of Treasurer.

Yearly Salary.—£841, minimum; £919, maximum.

Duties.—To act as Accountant and to collect the income and pay the expenditure of the Superannuation Fund and keep the necessary records; to check claims for pensions and refunds of contributions; to check and record contributions of officers of the Public Service and Technical Schools; and to carry out duties of the Secretary when required.

Qualifications.—A sound knowledge of the Superannuation Acts and experience in dealing with accounts and banking.

Clerk, Class "C2," Bendigo Centre, Department of Water Supply.

Yearly Salary.—£754, minimum; £806, maximum.

Duties.—To assist the District Accounting Officer.

Qualifications.—A knowledge of the incidence of rating and experience in rate collecting. To possess a good knowledge of the Water Acts.

Clerk, Class "C1," Geelong Centre, Department of Water Supply.

Yearly Salary.—£668, minimum; £720, maximum.

Duties.—To supervise the collection of revenue; to keep the necessary books of account; to issue assessment notices and to receive revenue; to supervise the preparation of wages, &c., the payment of wages and other accounting work; to have charge of all clerical work connected with a district office.

Qualifications.—A good knowledge of the Water Acts; a knowledge of the incidence of rating, and experience in rate collecting; ability to conduct negotiations and correspondence; and to represent the Commission in proceedings for recovery of rates.

NOTE.—House available for successful applicant, if married, at a charge of 10 per cent. of total emolument payable by way of salary, plus £11 8s. a year.

PROFESSIONAL DIVISION.

Leasing Officer, Class "B," Department of Water Supply.

Yearly Salary.—£841, minimum; £919, maximum.

Duties.—To arrange for sale of surplus lands, buildings, and improvements; to assess areas and rentals and to arrange for occupation under licence of marginal lands; to take over acquired properties and arrange temporary leasing until required for works.

Qualifications.—To be a competent survey draughtsman with field experience; to have an intimate knowledge of the Commission's organization and works throughout the State; to have a sound knowledge of the provisions of Water Acts relating to the sale, exchange, and leasing of lands.

Draughtsman, Class "C," Department of Public Works.

Yearly Salary.—£520, minimum; £624, maximum.

Duties.—To prepare designs, details, estimates, and specifications of modern furniture and fittings.

Qualifications.—To be a competent draughtsman and to be conversant with furniture manufacturing methods, and capable of preparing designs, details and working drawings for school and office furniture; to have completed a course of Interior Decoration at a Technical School.

Assistant Engineer, Grade III, Class "C," Department of Water Supply.

Yearly Salary.—£520, minimum; £624, maximum.

Duties.—To prepare designs and estimates for hydraulic and other structures, dams, and channels, and, where necessary, to supervise construction work of this nature.

Qualifications.—To possess a University Degree or Diploma in Civil Engineering, or other recognized engineering qualification, together with some experience in design and construction of water supply work.

Assistant Valuer, Class "C," Department of Water Supply. (Two vacancies.)

Yearly Salary.—£520, minimum; £624, maximum.

Duties.—To make and return valuations under the provisions of the Water Acts for—

(a) rating of rural properties in the irrigation and water supply districts and the waterworks districts under the jurisdiction of the Commission, and

(b) compensation for land compulsorily acquired for the Commission's works.

Qualifications.—To have passed the examination for admission to the Commonwealth Institute of Valuers, or a major part thereof, and to have had at least two years' experience in valuation work, including experience in irrigation and waterworks districts, and to have a knowledge of the relevant provisions of the Water Acts.

TECHNICAL AND GENERAL DIVISION.

Overseer, Assistant, Wire Netting Factory, Penal and Gaols Branch, Department of Chief Secretary.

Yearly Salary.—£417, minimum; £495, maximum.

Duties.—To assist the Overseer of the Wire Netting Factory in the care and management of the factory, and in instructing the men under his supervision in the manufacture of wire netting.

Qualifications.—Ability to control and instruct men and to maintain and keep in good condition wire-weaving machines, bobbin and tube machines, and galvanizing plant.

Tutor Sister, Heatherton Sanatorium, Tuberculosis Branch, Department of Health.

Yearly Salary.—£418, minimum; £457, maximum.

Duties.—To undertake the organization of a system of training of nurse assistants in a State Sanatorium, and to lecture trained staff for the post-graduate Certificate in Tuberculosis Nursing.

Qualifications.—To be a general trained nurse registered in Victoria; experience in tutoring nursing staff desirable.

Storekeeper, Transport Branch, Office of the Chief Commissioner of Police, Department of Chief Secretary.

Salary.—£416 a year.

Duties.—Under the Officer in Charge, Transport Branch, to have charge of the Store; to arrange for the receipt and issue of all stores and equipment and to be responsible for the keeping of relevant records.

Qualifications.—To have had experience of a Storekeeper's duties; to possess a good knowledge of motor vehicle and bicycle parts and accessories; to possess a good knowledge of the Public Service Regulations relating to stores and transport.

NOTE.—As a skeleton staff must be always maintained in the Store, the successful applicant will be rostered for duty on week-ends and public holidays and paid additional rates under Public Service Regulation 76.

Storeman, Grade II, Kew Mental Hospital, Department of Health.

Yearly Salary.—£390, minimum; £416, maximum.

Duties.—Under direction of the Secretary, to be responsible for the receipt, issue, and safe custody of stores, materials, and provisions, and for the records relating thereto.

Qualifications.—To possess Merit Certificate or equivalent; a sound knowledge of stores, materials, and provisions, and experience in the control and distribution thereof; clerical ability, with general knowledge of bookkeeping methods relating to stores records.

Assistant Storekeeper, Transport Branch, Office of the Chief Commissioner of Police, Department of Chief Secretary.

Salary.—£377 a year.

Duties.—To receive and to issue stores and equipment and to relieve the Storekeeper as required.

Qualifications.—To have had experience in the operation of a Departmental Store, and to be familiar with the different types of parts and accessories used in motor vehicles; to possess a working knowledge of the Public Service Regulations relating to stores and transport.

NOTE.—As a skeleton staff must be always maintained in the Store, the successful applicant will be rostered for duty on week-ends and public holidays and paid additional rates under Public Service Regulation 76.

Water Bailiff, Rochester Centre, Department of Water Supply.

Yearly Salary.—£331, minimum; £370, maximum.

Qualifications.—Ability to control and regulate the supply of water to irrigators and to keep the necessary records and make arithmetical computations in connexion therewith; a knowledge of water requirements for crop and grasses grown under irrigation; the methods of preparation of land for same and methods of channel and drain construction and maintenance.

NOTE.—A house is available for the successful applicant, if married, at a rental of approximately 7 per cent. per annum of his salary.

Assistant (Female), Grade IV., Department of Education.

Yearly Salary.—£338, minimum; £351, maximum.

Duties.—Typing and preparing orders, quotations, requisitions, and correspondence; attending to accounts from firms for all goods ordered; recording amounts spent from various grants.

Qualifications.—To be a competent typist and to possess mental alertness in respect of arithmetical calculations. General experience in commercial office work is desirable.

Assistant Storeman, Transport Branch, Office of the Chief Commissioner of Police, Department of Chief Secretary. (Four vacancies.)

Yearly Salary.—£299, minimum; £325, maximum.

Duties.—To issue petrol from bulk bowsers; to issue lubricating oils; to keep records of such issues and to assist generally in the Store.

Qualifications.—To have had some experience in the issue of motor spirit and the handling of stores; to be capable of keeping neat and accurate records.

NOTE.—The successful applicants will be required to perform shift work between the hours of 7 a.m. and 11 p.m. for five working days a week, including week-ends and public holidays. Additional rates will be paid under Public Service Regulation 76 for week-end and public holiday duty.

Assistant Storeman, Transport Branch, Office of the Chief Commissioner of Police, Department of Chief Secretary.

Yearly Salary.—£299, minimum; £325, maximum.

Duties.—To maintain stock records and to assist generally in the Store.

Qualifications.—To have had experience of store duties and to be capable of keeping neat and accurate records.

NOTE.—As a skeleton staff must be always maintained in the Store, the successful applicant will be rostered for duty on week-ends and public holidays, and paid additional rates under Public Service Regulation 76.

Able Seaman, Ports and Harbors Branch, Department of Public Works.

Yearly Salary.—£310, minimum; £323, maximum.

Qualifications.—To be experienced in the class of work required to be carried out by a seaman in dredging, harbor maintenance, and general maritime works.

Labourer, Office of the Chief Commissioner of Police, Department of Chief Secretary. (Three vacancies.)

Salary.—£286 a year.

Duties.—To perform labouring duties, including the washing, &c., of motor cars.

NOTE.—In addition to the salary rates quoted, a cost of living adjustment (£354 a year for adult males and £288 a year for adult females), which varies in accordance with the rise or fall in the index number of the cost of living, is payable.

By order,

E. F. FITZGIBBON,
Secretary.

Office of the Public Service Board,
Melbourne, 13th October, 1953.

EXAMINATION OF APPLICANTS FOR LICENCE AS SHORTHAND WRITER.

IT is hereby notified that an examination of applicants for licence as Shorthand Writer will be held at the Law Courts (No. 15 Court), Melbourne, on Saturday, the 28th November, 1953, at Eleven o'clock a.m.

Applications for permission to attend the examination, together with an entry fee of twenty-one shillings (£1 1s.), must be forwarded to reach the Public Service Board's Office, Public Offices, Treasury-place, Melbourne, C.2 (where a copy of the Regulations may be obtained), not later than Friday, the 13th November, 1953.

Satisfactory evidence of—

- (1) Name in full.
- (2) Having attained the age of twenty-one (21) years, and
- (3) Good moral character

should be submitted with application.

By order,

E. F. FITZGIBBON,
Secretary.

Office of the Public Service Board,
Melbourne, 12th October, 1953.

PUBLIC SERVICE (PUBLIC SERVICE BOARD) REGULATION 39.—RECLASSIFICATIONS.

THE Public Service Board has raised the classification of the under-mentioned offices as shown, and the Permanent Head of the Department has recommended the officers named for appointment.

Office and Present Classification.	Revised Classification.	Duties.	Qualifications.	Officer Recommended for Appointment.		
				Name.	Classification.	Date of Classification.
PROFESSIONAL DIVISION.						
DEPARTMENT OF WATER SUPPLY.						
Draughtsman, Class "D"	Assistant Valuer, Class "C" (Two offices)	To make and return valuations under the provisions of the Water Acts for— (a) rating of rural properties in the Irrigation and Water Supply Districts and the Waterworks Districts under the jurisdiction of the Commission; and (b) compensation for land compulsorily acquired for the Commission's works	To have passed the examination for admission to the Commonwealth Institute of Valuers, or a major part thereof, and to have had at least two years' experience in valuation work including experience in irrigation and waterworks districts, and to have a knowledge of the relevant provisions of the Water Acts	Birtles, E. A.	Draughtsman, Class "D"	16.6.49
Cadet Valuer, Class "D"				Gill, F. J.	Cadet Valuer, Class "D"	31.3.49

Appeals against such recommendations should be lodged with the Secretary to the Public Service Board not later than Saturday, the 24th October, 1953.

By order,

E. F. FITZGIBBON,
Secretary.

Office of the Public Service Board,
Melbourne, 13th October, 1953.

PUBLIC SERVICE (PUBLIC SERVICE BOARD) REGULATION 39.—VACANCIES.

THE Permanent Heads of the Departments shown have recommended the officers named hereunder for appointment to the under-mentioned vacancies.

Office and Classification.	Duties.	Qualifications.	Officer Recommended for Appointment.		
			Name.	Classification.	Date of Classification.
PROFESSIONAL DIVISION.					
DEPARTMENT OF WATER SUPPLY.					
District Engineer, Grade III., Class "B"	To supervise staff and control all rural and urban water supplies works and expenditure within the Swan Hill Centre	To possess a University Degree or Technical School Diploma in Civil Engineering and to have had extensive experience in the administration of irrigation districts; to be competent to carry out surveys; to supervise water distribution and to organize and control the work of large numbers of men on water supply works	Tyson, J. R.	District Engineer, Grade IV., Class "C2"	25.2.52
TECHNICAL AND GENERAL DIVISION.					
DEPARTMENT OF HEALTH.					
MENTAL HYGIENE BRANCH.					
Charge Nurse (Female), (ten offices)	To take charge or sub-charge of a Ward in a Mental Hospital	To possess the Mental Hygiene Nursing Certificate and to have had experience as a Deputy Charge Nurse (Female) in a Mental Hospital			
Mental Hospitals— <i>Ararat</i>			Krocans, M.	Deputy Charge Nurse (Female)	12.5.53
<i>Ballarat</i>			Watson, M. I. J.	Deputy Charge Nurse (Female)	26.5.53
			Watson, I. M.	Deputy Charge Nurse (Female)	26.5.53
			McMannis, N. M. (Mrs.)	Deputy Charge Nurse (Female)	26.5.53
			Walsh, E. D. (Mrs.)	Deputy Charge Nurse (Female)	26.5.53
<i>Kew</i>			Edwards, A. M.	Deputy Charge Nurse (Female)	31.8.52
<i>Sunbury</i>			Stanmore, E. W. (Mrs.)	Deputy Charge Nurse (Female)	12.5.53
<i>Beechworth</i>			Guise, H. M. (Mrs.)	Deputy Charge Nurse (Female)	12.5.53
<i>Mont Park</i>			Billane, M. (Mrs.)	Deputy Charge Nurse (Female)	12.5.53
			Ramshaw, A. G.	Deputy Charge Nurse (Female)	12.5.53

Appeals against such recommendations should be lodged with the Secretary to the Public Service Board not later than Saturday, the 24th October, 1953.

By order,
E. F. FITZGIBBON,
Secretary.

Office of the Public Service Board,
Melbourne, 13th October, 1953.

No. 608.

Public Service Act 1946, Section 39.

REGULATIONS—PART III.—SALARIES, INCREMENTS, AND ALLOWANCES.

THE Public Service Board, in pursuance of the powers conferred by the Public Service Act 1946, hereby amends its Regulations as shown below:—

FIRST SCHEDULE.
PROFESSIONAL DIVISION.
Offices and Rates of Salaries.

Office.	Yearly Rate of Salary.	
	Minimum.	Maximum.
DEPARTMENT OF CROWN LANDS AND SURVEY.	£	£
CLASS "C2."		
Delete— Draughtsman	754	806
Add— Senior Draughtsman	754	806

D. D. PAINE, Chairman.
E. F. FITZGIBBON, Secretary.

Office of the Public Service Board,
Melbourne, 28th September, 1953.

No. 607.

Public Service Act 1946, Section 39.

REGULATIONS—PART III.—SALARIES, INCREMENTS, AND ALLOWANCES.

THE Public Service Board, in pursuance of the powers conferred by the Public Service Act 1946, hereby amends its Regulations as shown below:—

FIRST SCHEDULE.
PROFESSIONAL DIVISION.
Offices and Rates of Salaries.

Office.	Yearly Rate of Salary.	
	Minimum.	Maximum.
DEPARTMENT OF WATER SUPPLY.	£	£
CLASS "B."		
Add— Assistant Chief Estates Officer	841	919
CLASS "C2."		
Delete— Assistant Estates Officer	754	806

D. D. PAINE, Chairman.
E. F. FITZGIBBON, Secretary.

Office of the Public Service Board,
Melbourne, 28th September, 1953.

No. 610.

Public Service Act 1946, Section 39.

REGULATIONS—PART III.—SALARIES, INCREMENTS, AND ALLOWANCES.

THE Public Service Board, in pursuance of the powers conferred by the Public Service Act 1946, hereby amends its Regulations as shown below :—

FIRST SCHEDULE.
PROFESSIONAL DIVISION.
Offices and Rates of Salaries.

Office.	Yearly Rate of Salary.	
	Minimum.	Maximum.
DEPARTMENT OF HEALTH.	£	£
MATERNAL AND CHILD HYGIENE BRANCH.		
CLASS "A1."		
Add—		
Senior Dental Officer (Male)	1,390	1,490
Superintending Dental Officer	1,540	1,590
Delete—		
Superintendent, Central School Dental Clinic	1,390	1,540
CLASSES "A" AND "A1."		
Add—		
Senior Dental Officer (Female)	1,225	1,325

D. D. PAINE, Chairman.
E. F. FITZGIBBON, Secretary.

Office of the Public Service Board,
Melbourne, 5th October, 1953.

No. 606.

Public Service Act 1946, Section 50.

REGULATIONS—PART III.—SALARIES, INCREMENTS, AND ALLOWANCES.

THE Public Service Board, in pursuance of the powers conferred by the Public Service Act 1946, hereby amends its Regulations as shown below :—

SECOND SCHEDULE.
TECHNICAL AND GENERAL DIVISION.
Offices and Rates of Salaries.

Department and Office.	Yearly Rate of Salary.	
	Minimum.	Maximum.
DEPARTMENT OF TREASURER.	£	£
GOVERNMENT PRINTING OFFICE.		
Delete—		
Composition, Foreman, Monotype	506
Add—		
Composition, Foreman, Monotype	565

This Regulation shall have effect as on and from the 1st July, 1953.

D. D. PAINE, Chairman.
E. F. FITZGIBBON, Secretary.

Office of the Public Service Board,
Melbourne, 28th September, 1953.

No. 605.

Public Service Act 1946, Section 50.

REGULATIONS—PART III.—SALARIES, INCREMENTS, AND ALLOWANCES.

THE Public Service Board, in pursuance of the powers conferred by the Public Service Act 1946, hereby amends its Regulations as shown below :—

SECOND SCHEDULE.
TECHNICAL AND GENERAL DIVISION.
Offices and Rates of Salaries.

Department and Office.	Yearly Rate of Salary.	
	Minimum.	Maximum.
DEPARTMENT OF PUBLIC WORKS.	£	£
Delete—		
Caretaker, 605 Flinders-street, Melbourne	299	325
Add—		
Caretaker, 605 Flinders-street, Melbourne	312	338

This Regulation shall have effect as on and from the 11th October, 1953.

D. D. PAINE, Chairman.
E. F. FITZGIBBON, Secretary.

Office of the Public Service Board,
Melbourne, 28th September, 1953.

No. 609.

Public Service Act 1946, Section 50.

REGULATIONS—PART III.—SALARIES, INCREMENTS, AND ALLOWANCES.

THE Public Service Board, in pursuance of the powers conferred by the Public Service Act 1946, hereby amends its Regulations as shown below :—

SECOND SCHEDULE.
TECHNICAL AND GENERAL DIVISION.
Offices and Rates of Salaries.

Department and Office.	Yearly Rate of Salary.		Increments (Annual).
	Minimum.	Maximum.	
DEPARTMENT OF WATER SUPPLY.	£	£	
Delete—			
Electrical Supervisor	475	527	2 of £26
Works Superintendent	514	586	2 of £26 and 1 of £20
Add—			
Electrical Supervisor	520	572	2 of £26
Works Superintendent	586	625	1 of £26 and 1 of £13

This Regulation shall have effect as on and from the 27th September, 1953.

D. D. PAINE, Chairman.
E. F. FITZGIBBON, Secretary.

Office of the Public Service Board,
Melbourne, 5th October, 1953.

PRIVATE ADVERTISEMENTS.

CITY OF FOOTSCRAY.

BY-LAW No. 162.

A By-law of the City of Footscray, numbered 162, made under section 197 of the Local Government Acts for prescribing areas within the municipal district as residential areas, and prohibiting or regulating within the whole of the such residential areas the use of any land or the erection (including adaptation for use) or the use of any building or vacant land for the purposes of trades, industries, manufactures, businesses, or public amusements.

IN pursuance of the powers conferred by the Local Government Acts and of every power it thereunder enabling, the Mayor, Councillors, and Citizens of the City of Footscray, with the approval of the Governor in Council, order as follows:—

1. From and after the coming into operation of this By-law, the following portion of Paisley-street shall be added to Schedule "B" of By-law No. 74:—

Paisley-street, south side, from Nicholson-street to Albert-street.

2. From and after the coming into operation of this By-law, the following shall be added to Schedule "D" of By-law No. 133:—

Angliss-street, east side, commencing 280 feet north of Adeney-street and continuing northwards a distance of 80 feet (lots 394-395).

Market-street, east side, from Essex-street to Graham-street.

Essex-street, south side, from Market-street eastwards a distance of 457 feet.

Willis-street, east side, from Lennox-street to Schild-street.

3. This By-law shall not preclude the continuance of the use of the said land for the purpose for which it was lawfully used immediately before the coming into operation of this By-law.

Resolution for passing this By-law agreed to by the Council of the City of Footscray on the 30th day of March, 1953, and confirmed on the 4th day of May, 1953.

The common seal of the Mayor, Councillors, and Citizens of the City of Footscray was hereunto affixed, in our presence, by order of the Council.

G. R. SCHINTLER, Mayor.

(SEAL) H. J. McIVOR, Councillor.

E. J. SMITH, Town Clerk.

Approved by the Governor in Council, 22nd September, 1953.—A. MAHLSTEDT, Clerk of the Executive Council.

6989

CITY OF MOORABBIN.

LOAN No. 68.

Notice of Intention to Borrow the Sum of Five Thousand Pounds (£5,000) for Permanent Works and Undertakings.

NOTICE is hereby given that the Council of the City of Moorabbin proposes to borrow the sum of Five thousand pounds on the credit of the municipal revenues of the Mayor, Councillors, and Citizens of the said City, such sum to be raised by the issue of debentures, in accordance with the provisions of the Local Government Acts.

1. The maximum rate of interest that may be paid is 4½ per cent. per annum.

2. The purposes for which the loan is to be applied are—

Reconstruction of McKinnon-road from Tucker-road to Joy-street ..	£1,865
Construction of pipe drain in Patterson-road from Jasper-road to Melbourne and Metropolitan Board of Works' drain ..	800
Construction of concrete channel in East Boundary-road from Centre-road to Elizabeth-street ..	448
Reconstruction and widening of metalled roadway in Hightett-road ..	1,130
Completion of Bendigo-street, Cheltenham ..	757
	<hr/>
	£5,000

3. The period of the loan shall be ten years.

4. The moneys borrowed shall be repayable by providing out of the Municipal Fund twenty half-yearly instalments of approximately £318 16s. each, including principal and interest, on the 1st day of June and the 1st day of December during the currency of the loan.

The first instalment shall be payable on the 1st day of June, 1954.

Such moneys shall be repayable at The English, Scottish, and Australian Bank Limited, Melbourne, or at the Council's bankers for the time being in Melbourne.

The plans and specifications and the estimate of the cost of the proposed works, and a statement showing the proposed expenditure of the moneys to be borrowed, are open for inspection at the municipal offices, Nepean Highway, Moorabbin.

Dated this 5th day of October, 1953.

6974

WILSON B. THOMAS, Town Clerk.

CITY OF SOUTH MELBOURNE.

BY-LAW No. 384.

A By-law of the City of South Melbourne made under the Local Government Acts and Section 6 of the *Petrol Pumps Act 1928*, and numbered 384 for the purpose of amending By-law No. 326 of the said City.

THE Mayor Councillors and Citizens of the City of South Melbourne in pursuance of the powers conferred by the Local Government Acts and the *Petrol Pumps Act 1928* and every other power enabling it in that behalf, doth hereby make the By-law and order as follows:—

1. That the By-laws set out in the Schedule to this By-law to the extent to which the same are thereby expressed to be repealed, are hereby repealed, provided that such repeal shall not prejudice or affect any prosecution for any act or omission prior to the commencement of this By-law.

2. That By-law No. 326 of the said City be amended by striking out Clause 6 of the said By-law and inserting the following clause in lieu thereof, viz:—

- 6. (a) There shall be paid to the Council for the granting or renewal of a licence for a petrol pump of an approved class or type in on or under any footway a licence fee of Five pounds five shillings, provided that where a licence is granted for any number of months less than twelve months a proportionate reduction of the licence fee shall be made by the Council.
- (b) There shall be paid to the Council in respect of every transfer of a licence for a petrol pump, a transfer fee of Ten shillings.

SCHEDULE OF BY-LAWS REPEALED.

By-law No.	Date.	Title.	Extent of Repeal.
346	23rd November, 1938	Amending By-law No. 326	The whole
354	7th January, 1942 ..	Amending By-law No. 346	The whole
357	22nd September, 1943	Amending By-law No. 354	The whole
379	4th March, 1953 ..	Amending By-law No. 326	The whole

Resolution adopting this By-law agreed to by the Council of the City of South Melbourne on the 8th day of July, 1953, and confirmed at a meeting of the said Council on the 5th day of August, 1953.

W. E. MORRIS, Mayor.

(L.S.) H. A. LAYFIELD, Councillor.

H. ALEXANDER, Town Clerk.

Approved by the Governor in Council, 22nd September, 1953. A. MAHLSTEDT, Clerk of the Executive Council. 6973

BOROUGH OF MARYBOROUGH.

LOAN No. 14.

Notice of Intention to Borrow the Sum of £5,000 for Permanent Works and Undertakings.

NOTICE is hereby given that the Council of the Borough of Maryborough proposes to borrow the sum of Five thousand pounds on the credit of the municipal revenues of the Mayor, Councillors, and Burgesses of the said Borough, such sum to be raised by the issue of debentures in accordance with the provisions of the Local Government Acts.

1. The maximum rate of interest that may be paid is 4½ per cent. per annum.

2. The purposes for which the loan is to be applied are—

(a) Road Construction	£2,880
(b) Town Plan	900
(c) Town Hall—New Floor	1,220
	£5,000

3. The period of the loan shall be ten years.

4. The moneys borrowed shall be repayable by providing out of the municipal fund half-yearly instalments of approximately £318 16s. each, including principal and interest, on the 1st day of July and the 1st day of January during the currency of the loan. The first instalment shall be payable on the 1st day of July, 1954.

5. Such moneys shall be repayable at the English, Scottish, and Australian Bank Limited, Melbourne, or at the Council's Bankers for the time being in Melbourne.

The plans and specifications and the estimate of the cost of the proposed works, and a statement showing the proposed expenditure of the moneys to be borrowed, are open for inspection at the Municipal Offices, Town Hall, Maryborough, during office hours.

6975

F. H. ROGAN, Town Clerk.

SHIRE OF OXLEY.

LOAN No. 12.

Notice of Intention to Borrow the Sum of £5,000 for Permanent Works and Undertakings.

NOTICE is hereby given that the Council of the Shire of Oxley proposes to borrow the sum of Five thousand pounds on the credit of the municipal revenues of the President, Councillors, and Ratepayers of the said Shire, such sum to be raised by the issue of debentures in accordance with the provisions of the Local Government Acts.

1. The maximum rate of interest that may be paid is 4½ per cent. per annum.

2. The purpose for which the Loan is to be applied is the purchase of road-making and workshop plant and equipment.

3. The period of the Loan shall be ten years.

4. The moneys borrowed shall be repayable by providing out of the Municipal Fund twenty half-yearly instalments of approximately £318 16s. each, including principal and interest, on the first day of July and the first day of January during the currency of the Loan. The first instalment shall be payable on the first day of July, 1954.

5. Such moneys shall be repayable at the Commonwealth Bank of Australia, Melbourne, or at the Council's bankers for the time being in Melbourne.

The plans and specifications and the estimate of the cost of the proposed works and a statement showing the proposed expenditure of the moneys to be borrowed are open for inspection at the Shire of Oxley Office, Reid-street, Wangaratta.

D. REID, Shire Secretary.

Dated the 12th day of October, 1953. 7016

SHIRE OF RODNEY.

LOAN No. 27.

Notice of Intention to Borrow the Sum of £5,000 for Permanent Works and Undertakings.

NOTICE is hereby given that the Council of the Shire of Rodney proposes to borrow the sum of Five thousand pounds on the credit of the municipal revenues of the President, Councillors, and Ratepayers of the said Shire, such sum to be raised by the issue of debentures in accordance with the provisions of the Local Government Acts.

1. The maximum rate of interest that may be paid is 4½ per cent. per annum.

2. The purpose for which the Loan is to be applied is for providing Public Baths at Kyabram.

3. The period of the Loan shall be ten years.

4. The moneys borrowed shall be repayable by providing out of the Municipal Fund twenty half-yearly instalments of approximately £318 16s. each, including principal and interest on the first day of January and the first day of July during the currency of the Loan. The first instalment shall be payable on the first day of July, 1954.

5. Such moneys shall be repayable at the Commercial Banking Company of Sydney Limited, Melbourne, or at the Council's bankers for the time being in Melbourne.

The plans and specifications and the estimate of the cost of the proposed works and a statement showing the proposed expenditure of the moneys to be borrowed are open for inspection at the Shire Offices, Casey-street, Tatura.

W. T. A. MARTIN, Shire Secretary.

Dated the 9th day of October, 1953. 7017

SHIRE OF WODONGA.

BY-LAW No. 33.

NOTICE is hereby given that the Council of the Shire of Wodonga has made By-law No. 33 for the following purposes:—

1. To repeal clause 3 (a) of By-law No. 31.

2. To insert a clause in By-law No. 31 fixing the scale of charges for tolls and dues to be charged on all stock offered for sale in the Wodonga Municipal Saleyards, and making certain other regulations for the good conduct and order of those markets.

A copy of such By-law may be inspected, free of charge, during office hours, at the Shire Office, Wodonga.

6972

J. N. EDDY, Shire Secretary.

APPLICATION FOR AN ORDER IN COUNCIL UNDER THE ELECTRIC LIGHT AND POWER ACT 1928.

NOTICE is hereby given that the Balmoral Electricity Supply Company intends to apply to the Governor in Council of the State of Victoria for an Order under section 10 of the *Electric Light and Power Act 1928*, authorizing the company to supply electricity for public and private purposes within an area contained within the Township of Balmoral.

The applicant proposes to lay down or erect electric lines within the following streets within the said area of supply within a period of twelve months from the commencement of the Order, namely:—

Sterling-street,
Glendinning-street,
Urquhart-street,
Bell-street, and
Perth-street.

The said streets are indicated upon a plan of the locality, which plan is intended to be lodged with the application for Order.

There are no tramways or railways which the applicant proposes to break up or interfere with in accordance with the special power to be inserted in that behalf in the proposed Order.

Copies of the draft Order and of the Order when made can be obtained by any person at the price of Ten shillings each at the office of the Balmoral Electricity Supply Company, Balmoral, and at the office of the State Electricity Commission of Victoria, at Nos. 22-32 William-street, Melbourne.

Notices of objection and other documents may be served at the office of the applicant as aforesaid.

Every council, company, person or persons desirous of bringing before the State Electricity Commission of Victoria, by whom the *Electric Light and Power Act 1928*, is administered, any objection respecting the application must do so within three months from the date of the *Government Gazette* containing this advertisement, by notice addressed to the Secretary, State Electricity Commission of Victoria, 22-32 William-street, Melbourne, marked on the outside of the cover enclosing it: "*Electric Light and Power Act 1928*". A copy of every such notice must also be forwarded to the applicant for the Order.

Dated this 10th day of October, 1953.

For the Balmoral Electricity Supply Company.

7011

J. R. PECK, Managing Director.

DANDENONG SEWERAGE AUTHORITY.

WHEREAS the Dandenong Sewerage Authority has obtained the consent of the Governor in Council to the taking compulsorily of the land herein described for the purposes hereinafter appearing which consent was published in the *Government Gazette* on the 9th day of September, 1953.

This advertisement is published for the purpose of complying with the provisions of section 107 of the *Sewerage Districts Act 1928*.

(a) The nature of the works in respect of which the said land is proposed to be taken is the establishment of sewerage treatment and disposal works thereon.

(b) The plans and descriptions of the proposed works will be open for inspection at the office of the Dandenong Sewerage Authority at the Shire Hall, Dandenong, during office hours, that is between the hours of 9 a.m. and 12 noon and 1.30 p.m. to 5 p.m. on all week days except Saturday from the 24th day of September until the 15th day of October, 1953, both days inclusive.

(c) The land required for the purpose of such works is all that piece of land commencing at the north-east angle of Crown allotment 5, section XXIV., Parish of Eumemmering, County of Mornington, being a point on the southern boundary of the existing Dandenong Sewerage District; thence southerly along the eastern boundaries of the said Crown allotment 5, and Crown allotment 6 to a point distant 759.8 links south from the north-eastern angle of the said Crown allotment 6; thence westerly by a line parallel to the northern boundary of the said Crown allotment 6 across the said Crown allotment 6 and Crown allotment 2 to a point distant 1,459.5 links west from the eastern boundary of the said Crown allotment 2; thence southerly by a line parallel to the eastern boundary of the said Crown allotment 2 a distance of 506.9 links across the said Crown allotment 2 to a point on the northern boundary of the existing site for treatment works and sewerage farm; thence westerly along the said northern boundary of the said site for treatment works and sewerage farms being a line parallel to the northern boundary of Crown allotment 2 to a point on the western boundary of Crown allotment 2A; thence northerly along the said western boundary of Crown allotment 2A and the western boundary of Crown allotment 1 to the north-western angle of the said Crown allotment 1, being a point on the southern boundary of the existing Dandenong Sewerage District; thence easterly, southerly, and easterly along the southern, western, and southern boundaries of the existing Dandenong Sewerage District to the point of commencement.

The above land consists of an area of 232 acres 0 roods 34 perches, or thereabouts, and is the land comprised in certificate of title, volume 7353, folio 1470474, and also includes the whole of Mitchell-road and portions of Union and Henry roads shown on plan of subdivision number 3699, lodged in the Office of Titles.

6888

C. H. MASTERS, Secretary.

NOTICE OF INTENTION TO APPLY FOR A LICENCE TO DIVERT WATER AND CUT RACES FROM THE MURRAY RIVER, AT TOL TOL.

I HEREBY give notice that I intend to apply for a licence empowering me to divert water for a term of fifteen years, to the extent of 300 acre-feet per annum, at a maximum rate of 3 acre-feet per day of 24 hours, for irrigation of 100 acres, being part of allotment 11, Parish of Tol Tol, and to occupy certain Crown lands for works of storage and diversion, and to cut a race thereon.

Any objection to such application must be forwarded, in writing, to the State Rivers and Water Supply Commission, Melbourne, within 30 days of the date hereof.

ALFRED JOHN WILLIAM HOCKING.

"Carramar," Bannerton, 5th October, 1953. 6985

NOTICE OF INTENTION TO APPLY FOR A LICENCE TO DIVERT WATER AND CUT RACES FROM THE MURRAY RIVER, AT NICHOLS POINT.

I HEREBY give notice that I intend to apply for a licence empowering me to divert water for a term of fifteen years to the extent of 6 acre-feet per annum, at a maximum rate of 1 acre-foot per day of 24 hours, for irrigation of 2 acres, being part of allotment 4B, section 5A, Parish of Mildura, and to occupy certain Crown lands for works of storage and diversion, and to cut a race thereon.

Any objection to such application must be forwarded, in writing, to the State Rivers and Water Supply Commission, Melbourne, within 30 days of the date hereof.

WILLIAM F. C. VEIT.

Nichols Point, 5th October, 1953. 6982

NOTICE OF INTENTION TO APPLY FOR A LICENCE TO DIVERT WATER AND CUT RACES FROM THE OVENS RIVER, AT ESMOND.

I HEREBY give notice that I intend to apply for a licence empowering me to divert water for a term of fifteen years to the extent of 100 acre-feet per annum, at a maximum rate of 5 acre-feet per day of 24 hours, for irrigation of 50 acres, being part of allotments 1 to 5, section 9, and allotments 1 to 3, section 23, Parish of Bundalong, and to occupy certain Crown lands for works of storage and diversion, and to cut a race thereon.

Any objection to such application must be forwarded, in writing, to the State Rivers and Water Supply Commission, Melbourne, within 30 days of the date hereof.

ROBERT JOHN WILLIAMS.

25 Tom-street, Yarrowonga, 1st September, 1953. 6978

NOTICE OF INTENTION TO APPLY FOR A LICENCE TO DIVERT WATER AND CUT RACES FROM THE MURRAY RIVER, AT MILDURA.

I HEREBY give notice that I intend to apply for a licence empowering me to divert water for a term of fifteen years to the extent of 120 acre-feet per annum, at a maximum rate of 5 acre-feet per day of 24 hours, for irrigation of 40 acres, being part of Recreation Reserve, Parish of Mildura, and to occupy certain Crown lands for works of storage and diversion, and to cut a race thereon.

Any objection to such application must be forwarded, in writing, to the State Rivers and Water Supply Commission, Melbourne, within 30 days of the date hereof.

MYRTLE ELSIE & NOEL JOHN OXLEY.

Cureton-avenue, Mildura, 26th August, 1953. 6979

DIOCESE OF WANGARATTA.

DIOCESAN SYNOD.

NOTICE is hereby given that the Vicar-General of the Diocese of Wangaratta has convened the Diocesan Synod for Tuesday, 24th day of November, 1953, at Two-thirty p.m., at the Parish Hall, Wangaratta.

7018 W. J. CHESTERFIELD, Archdeacon, Registrar.

NOTICE is hereby given that the partnership heretofore subsisting between the undersigned Thomas William Charles Pritchett and Harry Frank Wellington, carrying on the business of a motor car and truck sales business, under the name of "Argosy Car Sales," has been dissolved by mutual consent, as from the 1st day of July, 1953. All debts due to and owing by the said firm will be received and paid by Harry Frank Wellington who will carry on the said business at the same place.

Dated this 6th day of October, 1953.

CHAS. PRITCHETT.

HARRY F. WELLINGTON.

Witness to both signatures—NORMA L. JENKINS, solicitor, 319 St. George's-road, North Fitzroy. 6986

NOTICE is hereby given that the partnership heretofore subsisting between Hellmut Ernst Pincus and Annemarie Pincus, both formerly of 138A Dandenong-road, Caulfield, in the State of Victoria, but now of 317 Camberwell-road, Camberwell, in the said State, manufacturer and married woman respectively, formerly carrying on the business of clothing manufacturers at Melbourne, in the said State, under the style or name of "Dandewear", has been dissolved as from the 8th day of October, 1953, the said business having been acquired by Dandewear Proprietary Limited, of 258 Little Flinders-street, Melbourne aforesaid. All debts owing to or by the said partnership will be received and paid by the said company.

Dated this 12th day of October, 1953.

H. E. PINCUS.

A. PINCUS.

McCAY & THWAITES, solicitors, Collins House, 360 Collins-street, Melbourne. 7039

NOTICE is hereby given that the partnership of Douglas Hunter Pascoe and Derham Horace Allen in the businesses of Allen & Pascoe, 1 Graham-place, Upper Hawthorn, and of Alcoe, 190 Glenferrie-road, Glenferrie, has been dissolved as from 28th August, 1953.

D. PASCOE.

D. H. ALLEN.

Witness—T. R. PATTERSON, Justice of the Peace. 7029

NOTICE is hereby given that the partnership formerly existing between Jon Hooper Jonescu and Michael O'Brien, formerly carrying on business as builders at Croydon, under the name of J. H. Jonescu and M. O'Brien, has been dissolved.

7007

JON H. JONESCU.

M. O'BRIEN.

NOTICE is hereby given that the partnership heretofore subsisting between the undersigned Thomas Gordon Inglis, of 13 Webb-street, Caulfield, hardware merchant, and Shirley Dorothy Inglis, of 13 Webb-street, Caulfield, married woman, carrying on business as hardware merchants at 16 Bluff-road, Black Rock, under the name of "Inglis Hardware Stores", has been dissolved by mutual consent as from the 10th day of July, 1953.

Dated at Melbourne, the 5th day of October, 1953.

T. G. INGLIS.

S. D. INGLIS.

7009

In the matter of YALLOURN PASSENGER SERVICES PROPRIETARY LIMITED.—Winding up order, made, the 12th October, 1953.

NAME and address of official liquidator, Edward Tipton Spackman, of 422 Collins-street, Melbourne.

Gillott, Moir, and Ahern, 95 Queen-street, Melbourne, solicitors for The Shell Company of Australia Limited, the petitioner. 7038

Companies Act 1938.

G. W. PRESTON PTY. LTD. (IN VOLUNTARY LIQUIDATION).

AT a General Meeting of the above-named company duly convened and held on the 7th day of October, 1953, the following Special Resolution was duly passed:—

"That the company be wound up voluntarily and that Robert Haydon Morrison, of 430 Bourke-street, Melbourne, be appointed liquidator for the purpose of such winding up."

Dated this 7th day of October, 1953.

7006 R. H. MORRISON, Liquidator.

Companies Act 1938.

AVALON ROAD HOUSE PROPRIETARY LIMITED (IN VOLUNTARY LIQUIDATION).

NOTICE CONVENING FINAL MEETING.

NOTICE is hereby given, in pursuance of section 236 of the *Companies Act 1938*, that a General Meeting of the members of the above-named company will be held at 8 Marion-street, Brighton, on Wednesday, the 18th day of November, 1953, at Four o'clock in the afternoon, for the purpose of having an account laid before them showing the manner in which the winding up has been conducted and the property of the company disposed of, and of hearing any explanation that may be given by the liquidator.

Dated this 12th day of October, 1953.

7043 P. I. McNAUGHTON, Liquidator.

The *Companies Act 1938*.—In the matter of FUNCE & SONS PRY. LTD. (In Voluntary Liquidation).

NOTICE is hereby given that, pursuant to section 236 of the *Companies Act*, a Final Meeting of creditors of the above company will be held at 402 Smith-street, Collingwood, on the 11th November, 1953.

6983 I. DUNCAN, Liquidator.

No. of Company Form No. 8a.

Companies Act 1938.

THE SWISS CLUB OF VICTORIA.

NOTICE OF INTENTION TO APPLY TO ATTORNEY-GENERAL FOR LICENCE, PURSUANT TO SECTION 18 (1).

I JOSEPH SCHLACHTER, of 5 Small-road, Moorabbin, in the State of Victoria, on behalf of the Swiss Club of Victoria, of 161 Spring-street, Melbourne, being an association about to be formed for the purpose of recreation and amusement, hereby give notice of intention to apply to the Attorney-General for a licence directing that the said association be registered as a company with limited liability without the addition of the word "limited" to its name.

Dated this 2nd day of October, 1953.

6980 JOSEPH SCHLACHTER, Secretary.

PURSUANT to the *Trustee Act 1928*, all persons having claims against the property or estate of Ivy Martha Wood, late of 65 Moonya-road, Murrumbidgee, deceased (who died on the 27th day of September, 1952, and letters of administration of whose estate were granted by the Supreme Court of Victoria on the 19th day of August, 1953, to Clement William Wood, the administrator), are hereby required to send particulars of such claims to the said administrator, addressed to the care of T. I. A. Forbes, 303 Bridge-road, Richmond, on or before the 15th day of December, 1953, after the expiration of which time the said administrator will proceed to distribute the assets of the said deceased amongst the persons entitled thereto, having regard only to the claims of which he shall have had notice.

Dated this 12th day of October, 1953.

T. I. A. FORBES, 303 Bridge-road, Richmond, solicitor for the administrator. 7012

Trustee Act 1928.

NOTICE TO CLAIMANTS.

PURSUANT to the *Trustee Act 1928*, creditors, next of kin, and all other persons having claims in respect of the estate of any deceased person named below are required to send particulars thereof to the legal personal representative or representatives at the address stated below, on or before the date stated, after which date the representative or representatives will distribute the assets, having regard only to the claims of which notice has been received:—

James Albert Porter, late of "Myndarra," Orford, retired grazier, deceased, died 22nd July, 1953.—Claims to the executor, Stanley William Porter, of "Myndarra," Orford, grazier, care of Conlan and Leishman, solicitors, 36 Bank-street, Port Fairy, by 16th December, 1953. 6976

Emma Jacobina Kneale, late of 14 Weller-street, Geelong West, widow, deceased, died 9th July, 1953.—Claims to the executors, Thomas Frederick John Kneale, of Ellerslie, farmer, and Marie Christiana Emma Davis, of 284 Autumn-street, Geelong West, married woman, care of Conlan and Leishman, solicitors, 36 Bank-street, Port Fairy, by 16th December, 1953. 6977

William Augustine O'Meally, late of Salisbury West, Victoria, grazier, died on the 14th day of July, 1953.—Claims to the executors, Catherine Nora O'Meally, widow, and Una Mary McQuillan, married woman both of Nanneella, in care of the undersigned solicitors, not later than the 20th day of December, 1953. Tatchell, Dunlop, Smalley, and Balmer, solicitors, 290 Williamson-street, Bendigo. 6988

William Hawkins, late of Axedale, Victoria, farmer, died on the 13th July, 1953.—Claims to the executors, Mary Hawkins, widow, and John Hawkins, farmer, both of Axedale, in care of the undersigned solicitors, not later than the 15th day of December, 1953. Tatchell, Dunlop, Smalley, and Balmer, solicitors, 290 Williamson-street, Bendigo. 6987

PURSUANT to the *Trustee Act 1928*, all persons having claims against the property or estate of Annie Fyfe, late of Alexandra Convalescent Hospital, Hawthorn-road, Caulfield, in the State of Victoria, spinster, deceased (who died on the 16th day of July, 1953, and probate of whose will was granted by the Supreme Court of Victoria, on the 25th day of September, 1953, to Olive May Roberts, the executrix named therein), are hereby required to send particulars of such claims to the said executor, addressed to the care of T. I. A. Forbes, 303 Bridge-road, Richmond, on or before the 15th day of December, 1953, after the expiration of which time the said executrix will proceed to distribute the assets of the said deceased amongst the persons entitled thereto, having regard only to the claims of which he shall have had notice.

Dated this 6th day of October, 1953.

T. I. A. FORBES, 303 Bridge-road, Richmond, solicitor for the executor. 7014

CREDITORS, next of kin, and others having claims in respect of the estate of Walter Douglas Kilburn Cartwright, late of 26 Percy-street, Balwyn, in the State of Victoria, gentleman, deceased (who died on the 11th day of April, 1953), are to send the particulars of their claims to The Union Trustee Company of Australia Limited, whose registered office is situate at 333 Collins-street, Melbourne, in the said State, by the 26th day of December, 1953, after which date it will distribute the assets, having regard only to the claims of which it then has notice.

E. W. OLLEY, solicitor, 431 Bourke-street, Melbourne.

7024

CREDITORS, next of kin, and others having claims in respect of the estate of Katherine Bruce Thompson, late of Ashenden, Tenterden, Kent, England, formerly of Dawsmere, Gedney, Lincolnshire, England, wife of John Henry Thompson, deceased (who died on the 4th day of June, 1947), are to send the particulars of their claims to John Henry Thompson and Thelma Marshall, care of The Union Trustee Company of Australia Limited, of 333 Collins-street, Melbourne, by the 24th day of December, 1953, after which date they will distribute the assets, having regard only to the claims of which they then have notice.

Dated this 12th day of October, 1953.

SEWELL & SEWELL, solicitors, 422 Collins-street, Melbourne. 7025

PURSUANT to the *Trustee Act 1928*, all persons having claims against the property or estate of Etta Frances Scott, late of 104 Powlett-street, East Melbourne, in the State of Victoria, married woman, deceased (who died on the 25th day of April, 1953, and probate of whose will was granted by the Supreme Court of Victoria on the 7th day of September, 1953, to Sydney Walter Scott, the executor named therein), are hereby required to send particulars of such claims to the said executor, addressed to the care of T. I. A. Forbes, solicitor, 303 Bridge-road, Richmond, on or before the 15th day of December, 1953, after the expiration of which time the said executor will proceed to distribute the assets of the said deceased amongst the persons entitled thereto, having regard only to the claims of which he shall have had notice.

Dated this 6th day of October, 1953.

T. I. A. FORBES, 303 Bridge-road, Richmond, solicitor
for the executor. 7013

ALL persons having claims against the property or estate of Charles Colin Illingworth, late of 239 Union-road, Surrey Hills, bread manufacturer, deceased (probate of whose will was granted on the 4th August, 1953, to Charles Raymond Illingworth, of Donald-street, Croydon, director, and Vincent Morgan Mead, of 27 Bent-street, South Caulfield, accountant, the executors named therein), are hereby required to send particulars of such claims to the said executors, addressed to the care of the below solicitor, on or before the 16th December, 1953, after which date the executors will proceed to distribute the assets of the said deceased amongst the persons entitled thereto, having regard only to the claims of which they shall have had notice.

P. S. COLTMAN, LL.B., solicitor, 443 Little Collins-street, Melbourne. 7008

PURSUANT to the *Trustee Act 1928*, all persons having claims against the property or estate of Alfred Philip Bishop, late of 21 Hannan-street, Williamstown, engineer, deceased (who died on the 8th day of December, 1952, and probate of whose will was granted by the Supreme Court of Victoria on the 2nd day of October, 1953, to Elva Charters Bishop, Alfred James Bishop, Emla Violet Bishop, and Gerald Mansfield Niall, the executors named therein), are hereby required to send particulars of such claims to the said executors, addressed to the care of Blake and Riggall, solicitors, of 120 William-street, Melbourne, on or before the 16th day of December, 1953, after the expiration of which time the said executors will proceed to distribute the assets of the said deceased amongst the persons entitled thereto, having regard only to the claims of which they shall have had notice.

Dated this 9th day of October, 1953.

BLAKE & RIGGALL, 120 William-street, Melbourne,
solicitors for the executors. 7035

PURSUANT to the *Trustee Act 1928*, all persons having claims against the property or estate of Charles Stephens, late of 9 Campbell-road, Balwyn, in the State of Victoria, builder, deceased (who died on the 7th day of November, 1930, and probate of whose will was granted by the Supreme Court of Victoria on the 5th day of December, 1930, to Walter Henry Clifton Burnham, of 32 Parlington-street, Canterbury, in the said State, insurance manager, the executor named therein), are hereby required to send particulars of such claims to the said executor, addressed to the care of the under-mentioned solicitors, on or before the 21st day of December, 1953, after the expiration of which time the said executor will proceed to distribute the assets of the said deceased amongst the persons entitled thereto, having regard only to the claims of which he shall have had notice.

Dated this 9th day of October, 1953.

OSWALD BURT & CO., of 394 Collins-street, Melbourne,
solicitors for the executor. 7034

LILY JANE WOOD, late of 37 Virginia-street, Newtown, Geelong, spinster, DECEASED.

CREDITORS, next of kin, and all other persons having claims against the estate of the deceased are required by the executors of the will, Leslie Norman Wood, of Twisden-road, Bentleigh, bank officer, and Geoffrey Frank Higgins, of Yarra-street, Geelong, solicitor, to send particulars to them, care of the undersigned, on or before the 17th day of December, 1953, after which date they will distribute the assets, having regard only to the claims of which they then have notice.

J. L. PRICE, HIGGINS, & SPEED, solicitors, 47 Yarra-street, Geelong. 6981

PURSUANT to the *Trustee Act 1928*, all persons having claims against the property or estate of Samuel Joseph Geddes, late of 4 Were-street, Montmorency, deceased (who died on the 13th day of June, 1953, and probate of whose will was granted by the Supreme Court of Victoria on the 6th day of February, 1953, to Fanny Geddes, of Rutland-avenue, Mount Eliza, the executrix named therein), are hereby required to send particulars of such claims to the said executrix, addressed to the care of the undersigned, on or before the 15th day of December, 1953, after the expiration of which time the said executrix will proceed to distribute the assets of the said deceased amongst the persons entitled thereto, having regard only to the claims of which she shall have had notice.

SLATER & GORDON, 422 Collins-street, Melbourne,
solicitors for the executrix. 7005

PURSUANT to the *Trustee Act 1928*, all persons having claims against the property or estate of Margaret Malone, late of Mount Egerton, mine proprietress, deceased (who died on 12th June, 1952, and letters of administration of whose estate with the will of the deceased dated 15th April, 1952, annexed thereto were granted by the Supreme Court of Victoria on 29th December, 1952, to Mollie Stone, of Mount Egerton, spinster, the residuary beneficiary under the said will), are hereby required to send particulars of such claims to the said administratrix, addressed to the care of Desmond Fitzgerald, Carey, and Moran, solicitors, of 396 Flinders-lane, Melbourne, on or before the 19th day of December, 1953, after which date the said administratrix will distribute the assets of the deceased amongst the persons entitled thereto, having regard only to the claims of which she shall have had notice.

DESMOND FITZGERALD, CAREY, & MORAN, solicitors, 396 Flinders-lane, Melbourne. 7004

PURSUANT to the *Trustee Act 1928*, all persons having claims against the property or estate of Mary Rose Wheeler, late of Seymour, in the State of Victoria, widow, deceased (who died on the 28th day of May, 1953, and letters of administration of whose estate was granted by the Supreme Court of Victoria on the 5th day of August, 1953, to Jean Helen Devine, of 95 High-street, Seymour, in the State of Victoria, married woman, the administrator named therein), are hereby required to send particulars of such claims to the said administrator, addressed to the care of the undersigned, on or before the 22nd day of December, 1953, after the expiration of which time the said administrator will proceed to distribute the assets of the said deceased amongst the persons entitled thereto, having regard only to the claims of which she shall have had notice.

W. J. OSBORNE, LL.B., solicitor, Seymour. 7015

CREDITORS, next of kin, and others having claims in respect of the estate of Charles Richard Fagg, late of "Toronga," 76 Maud-street, Geelong, timber merchant deceased (who died on the 15th day of May, 1953, and probate of whose will has been granted to Henry Clifford Fagg, of 5 Wallace-street, Newtown, Geelong, Charles Stanley Fagg, of Wyuna-parade, Belmont, Geelong, and Herbert George Fagg, of Kyle-avenue, Belmont, Geelong, all timber-merchants, and The Fidelity Trustee Company Limited, of 101 Lydiard-street north, Ballarat), are to send particulars of their claims to the said executors, care of The Fidelity Trustee Company Limited, at its branch office situated at the Trustees Chambers, Malop-street, Geelong, by the 16th day of December, 1953, after which date the said executors will distribute the assets, having regard only to the claims of which they then have notice.

CRAWCOUR & HOLLYHOKE, solicitors, Yarra-street, Geelong. 6992

CREDITORS, next of kin, and others having claims in respect of the estate of Henry Nathaniel Denmead, late of 110 Skene-street, Newtown, Geelong, retired, deceased (who died on the 28th day of May, 1953, and probate of whose will has been granted to William Richard Denmead, of 91 Skene-street, Newtown, Geelong, foreman carpenter, and The Fidelity Trustee Company Limited, of 101 Lydiard-street north, Ballarat), are to send particulars of their claims to the said executors, care of The Fidelity Trustee Company Limited, at its branch office situated at the Trustees Chambers, Malop-street, Geelong, by the 16th day of December, 1953, after which date the said executors will distribute the assets, having regard only to the claims of which they then have notice.

CRAWCOUR & HOLLYHOKE, solicitors, of 39-41 Yarra-street, Geelong. 6991

CREDITORS, next of kin, and others having claims in respect of the estate of Leonard Jacka, late of 33 North-street, Richmond, in the State of Victoria, driver deceased (who died on the 1st day of August, 1953), are to send particulars of their claims to Dorothy Jacka, the administratrix of the estate of the said deceased, care of the undersigned solicitor, by the 22nd day of December, 1953, after which date the said Dorothy Jacka will distribute the assets, having regard only to the claims of which she then has notice.

JOHN F. CARROLL, solicitor, 95 Queen-street, Melbourne. 7001

CREDITORS, next of kin, and others having claims in respect of the estate of James Anderson Nicolson, late of 45 St. Georges-road, Toorak, in the State of Victoria, clerk, deceased (who died on the 20th day of July, 1953), are to send particulars of their claims to Dorothy Vera Nicolson, care of the undersigned solicitor, by the 22nd day of December, 1953, after which date the said Dorothy Vera Nicolson will distribute the assets, having regard only to the claims of which she then has notice.

JOHN F. CARROLL, solicitor, 95 Queen-street, Melbourne. 7000

CREDITORS, next of kin, and others having claims in respect of the estate of Sarah Staines, formerly of 198 McIlwraith-street, North Carlton, but late of Laura-street, Ascendale, in the State of Victoria, widow, deceased (who died on the 12th day of July, 1953), are to send particulars of their claims to The Trustees, Executors, and Agency Company Limited, of 401 Collins-street, Melbourne, by the 14th day of December, 1953, after which date it will distribute the assets, having regard only to the claims of which it then has notice.

FRANCIS P. WILLIAMS, LL.B., solicitor, 379 Collins-street, Melbourne. 6999

CREDITORS, next of kin, and others having claims in respect of the estate of Edith Grundy, late of 303 Talbot-street, Ballarat, widow, deceased (who died on 19th May, 1953), are to send particulars of their claims to the executor, Kenneth David Baird, of Lydiard-street, Ballarat, solicitor, by 17th December, 1953, after which date the said executor will distribute the assets, having regard only to the claims of which he then has notice.

BAIRD & BAIRD, solicitors, Ballarat. 6996

CREDITORS, next of kin, and others having claims in respect of the estate of Annie Wheadon, late of 15 George-street, Ballarat, widow, deceased (who died on 7th July, 1953), are to send particulars of their claims to the executor, Kenneth David Baird, of Lydiard-street, Ballarat, solicitor, by 17th December, 1953, after which date the said executor will distribute the assets, having regard only to the claims of which he then has notice.

BAIRD & BAIRD, solicitors, Ballarat. 6995

PATRICK COFFEY, late of Trentham, farmer, DECEASED (who died on 21st May, 1953).

CREDITORS, next of kin, and all others having claims against the estate of the deceased are required by the executors, Edward Toomey and Thomas Walsh, farmers, and Catherine Ann. Trehwella, clerk, all of Trentham, to send particulars of their claims, care of the undersigned, on or before the 16th day of December, 1953, after which date they will distribute the assets, having regard only to the claims of which they then have notice.

PALMER, STEVENS, & RENNICK, solicitors, Kyneton. 6997

CHARLES PETER BACKMAN, formerly of 34 Doris-street, Murrumbena, carpenter, late of Mont Park, mental patient, DECEASED (who died on 10th August, 1953).

CREDITORS, next of kin, and all others having claims against the estate of the deceased are required by the executor, John Graham Bolton, solicitor, of Kyneton, to send particulars of their claims, care of the undersigned solicitors, on or before the 16th day of December, 1953, after which date he will distribute the assets, having regard only to the claims of which he then has notice.

PALMER, STEVENS, & RENNICK, solicitors, Kyneton. 6998

CREDITORS, next of kin, and other persons having claims against the estate of Elsie McGregor Messenger, late of Bridport-street, Daylesford, married woman, deceased, are required to send particulars thereof to the undersigned solicitors for Stanley Baldwin, of Nilma, farmer, and Norma Beryl Brasier, of Tetoora-road, married woman, the executors of the will of the said deceased, on or before the 18th day of December, 1953, after which date the said executors will distribute the assets of the said deceased, having regard only to claims of which they shall then have notice.

GRAY, FRIEND, MOONIE, & LONG, solicitors, Warragul. 6990

CREDITORS, next of kin, and others having claims against the estate of Isabella Gibson, late of 26 Bent-street, Moonee Ponds, in the State of Victoria, widow, deceased (who died on 30th July, 1953), are required to send particulars of their claims to The Union Trustee Company of Australia Limited, the registered address of which is situate at 333 Collins-street, Melbourne, in the said State, by the 16th day of December, 1953, after which date it will distribute the assets, having regard only to the claims of which it then has notice.

MADDEN, BUTLER, ELDER, & GRAHAM, 406 Collins-street, Melbourne. 7040

JOHN EDMUND WALL, late of 187 Gold-street, Clifton Hill, retired pastrycook, DECEASED.

CREDITORS, next of kin, and others having claims in respect of the estate of the above-named deceased (who died on 23rd July, 1953), are required to send the particulars of their claims to the executors, Thomas Henry Quantock and Aimee Booth, care of the under-named solicitors, by the 16th day of December, 1953, after which date they will distribute the assets, having regard only to those claims of which they then have notice.

NORRIS, COATES, & HEARLE, solicitors, of 422 Collins-street, Melbourne. 7042

CREDITORS, next of kin, and others having claims in respect of the estate of Keith Henry Harper, late of 17 Foxlease-avenue, Traralgon, assistant manager, deceased, intestate (who died on the 6th January, 1953), are to send particulars of their claims to the administrator, William Hubert Harper, care of the under-mentioned solicitors, on or before the 14th December, 1953, after which date the said administrator will distribute the assets, having regard only to the claims of which notice has then been received.

MARTIN & MARTIN, solicitors, 37 Queen-street, Melbourne. 7041

STELLA BERTHA FREE, late of Gobur, in the State of Victoria, widow (who died on 30th January, 1953, intestate).

CREDITORS, next of kin, and all other persons having claims against the estate of the said deceased are required by the administratrix of her estate, Clarice Amy Kennedy, of Thornton, in the said State, married woman, to send particulars of such claims, in writing, to the undersigned, on or before 18th December, 1953, after which date the assets will be distributed, having regard only to the claims of which notice has then been received.

PLANTE & HENTY, 395 Collins-street, Melbourne, solicitors for the said administratrix. 7030

CREDITORS, next of kin, and others having claims in respect of the estate of Horace Rundle Phillipps Sullivan, late of Cheltenham, retired farmer, deceased (who died on 2nd May, 1953), are to send particulars of their claims to The Perpetual Executors and Trustees Association of Australia Limited, of 100 Queen-street, Melbourne, by the 16th day of December, 1953, after which date it will distribute the assets, having regard only to the claims of which it then has notice.

MORRISON, SAWERS, & TEARE, solicitors, 395 Collins-street, Melbourne. 7010

CREDITORS, next of kin, and others having claims against the estate of Hector Norman Kane McNeill, late of 13 Warner-street, Essendon, in the State of Victoria, mechanic, deceased (who died on the 4th day of April, 1953), are to send particulars of their claims to the executor of the said estate, care of the undersigned, by the 17th day of January, 1954, after which date he will distribute the assets, having regard only to the claims of which he then has notice.

SELWYN, GERITY, & ROBINSON, 422 Little Collins-street, Melbourne, solicitors. 7026

CREDITORS, next of kin, and others having claims in respect of the estate of Ian William Montgomerie Eddington, late of "Rosenath," 6 Beavis-street, Elsternwick, retired company secretary, deceased (who died on the 16th day of April, 1953, and probate of whose will was granted by the Supreme Court of Victoria on the 5th day of October, 1953, to Emma Eddington and The Equity Trustees, Executors, and Agency Company Limited), are to send particulars of their claims to the said executors, addressed to the care of the said company, at 472 Bourke-street, Melbourne, by the 16th day of December, 1953, after which date they will distribute the assets, having regard only to the claims of which they then have notice.

Dated this 9th day of October, 1953.

BLAKE & RIGGALL, 120 William-street, Melbourne,
solicitors for the executors. 7036

RE CATHERINE ELIZA PETHEBRIDGE, late of 49 Waterfield-street, Coburg, widow (who died on the 31st July, 1953).

CREDITORS, next of kin, and all others having claims in respect of the estate of the said deceased are required by the executor, The Trustees, Executors, and Agency Company Limited, of 401 Collins-street, Melbourne, to send particulars of such claims to the said company by the 23rd December, 1953, after which date the said company will distribute the assets, having regard only to the claims of which it then has notice.

DAVIES, CAMPBELL, & PIESSE, 401 Collins-street,
Melbourne, solicitors. 7003

CREDITORS, next of kin, and others having claims in respect of the estate of Arthur James Davidson, late of Paarl, Cape Province, South Africa, secretary-director, deceased (who died on the 4th day of May, 1953), are to send particulars of their claims to The Equity Trustees, Executors, and Agency Company Limited, of 472 Bourke-street, Melbourne, by the 14th day of December, 1953, after which date it will distribute the assets, having regard only to the claims of which it then has notice.

PHILLIPS, FOX, & MASEL, 450 Little Collins-street,
Melbourne, solicitors for the said The Equity Trustees,
Executors, and Agency Company Limited. 7002

CREDITORS, next of kin, and others having claims in respect of the estate of Lydia Blanche Paterson, late of "Cloverdale," Toora-Foster road, Foster, in the State of Victoria, widow, deceased (who died on the 28th day of May, 1953), are to send particulars of their claims to The Perpetual Executors and Trustees Association of Australia Limited, of 100-104 Queen-street, Melbourne, in the said State, by the 18th day of December, 1953, after which date it will distribute the assets, having regard only to the claims of which it then has notice.

Dated the 10th day of October, 1953.

P. J. WILSON, Toora, solicitor for the company. 7031

CREDITORS, next of kin, and others having claims in respect of the estate of Mary Ellen Wiseman, late of 14 Joyce-street, Elwood, widow, deceased (who died on the 13th June, 1953), are to send particulars of their claims to The Trustees, Executors, and Agency Company Limited, of 401 Collins-street, Melbourne, on or before the 23rd day of December, 1953, after which date the executor will distribute the estate, having regard only to the claims of which it then has notice.

JOSEPH LYNCH, LL.B., 299 Bridge-road, Richmond,
proctor for the said company. 7033

CREDITORS, next of kin, and others having claims in respect of the estate of Catherine Eleanor Bolitho, formerly of 290 Ascot Vale-road, Ascot Vale, but late of 7 Willow-street, Ripponlea, widow, deceased (who died on 24th March, 1953), are to send particulars of their claims to the administrator, Florence Mary Bolitho, care of the undersigned solicitors, by the 17th day of December, 1953, after which date the administrator will distribute the assets, having regard only to the claims of which she then has notice.

NORVAL H. DOOLEY & BREEN, solicitors, 31 Queen-
street, Melbourne. 7027

No. 786.—9717/53.—4

CREDITORS, next of kin, and others having claims in respect of the estate of Samuel James Bolitho, late of 3 Peacock-street, Brighton, formerly journalist, but late clerk, deceased (who died on 4th May, 1953), are to send particulars of their claims to the executrix, Florence Mary Bolitho, care of the undersigned solicitors, by the 17th day of December, 1953, after which date the executrix will distribute the assets, having regard only to the claims of which she then has notice.

NORVAL H. DOOLEY & BREEN, solicitors, 31 Queen-
street, Melbourne. 7028

In the Supreme Court of the State of Victoria.—*Fi. Fa.*

NOTICE is hereby given that, under and by virtue of certain process issued out of the Supreme Court of the State of Victoria and directed to the Sheriff, requiring him to levy certain moneys of the real and personal estate of William George Ashmore, of Serviceton, engine driver, the said Sheriff will, on Wednesday, the 18th day of November, 1953, at the hour of Two o'clock in the afternoon, cause to be sold at Horsham Police Station, Horsham (unless the said process shall have been previously satisfied or the said Sheriff be otherwise stayed):—

All the right, title, estate, and interest (if any) of the said William George Ashmore, in and to all that piece of land, being lot 6 on plan of subdivision No. 12633, lodged in the Office of Titles, and being part of Crown allotments 4 and 5, section 3, at Horsham, Parish of Horsham, County of Borung, and being the whole of the land comprised in certificate of title, volume 7235, folio 907.

N.B.—Terms: Cash. No cheques taken.

Dated at Horsham this 6th day of October, 1953.

6984

JOHN C. WHITE, Sheriff's Officer.

MINING NOTICE.

GRANITES GOLD NO LIABILITY.

A FIRST CALL of Six shillings per share on all shares in the company partly paid to Four shillings per share, will be due and payable at the office of the legal manager 368 Collins-street, Melbourne, at Five o'clock p.m., on Wednesday, 11th November, 1953.

7037

R. DOOLEY, Legal Manager.

IMPOUNDINGS.

BOX HILL.—Impounded in Box Hill Pound, by Ranger.

1 red and white bull calf, approximately six months' old,
tail half white, no visible brand

2 bay medium draught geldings, no visible brand

If not claimed and expenses paid, to be sold on 22nd
October, 1953.

H. J. BARRETT,

7019—10/8

Poundkeeper.

CASTLEMAINE.—Impounded in Castlemaine Pound, by
Town Ranger, 2nd October, 1953.

1 black Fresian heifer, snip off both ears, no visible brand

If not claimed and expenses paid, to be sold on 26th
October, 1953.

F. ELLERY,

6994—9/4

Poundkeeper.

CRANBOURNE.—Impounded in Cranbourne Pound, by
D. Hope, from "Hiltonwood," Clyde.

1 red heifer, approximately six months' old, no visible
brand

If not claimed and expenses paid, to be sold on 29th
October, 1953.

F. H. CLARK,

7023—10/8

Poundkeeper.

DANDENONG.—Impounded in Dandenong Pound, by
Shire Ranger, E. Osborne, off Brighton-road, Dand-
enong.

1 chestnut gelding hack, white star and snip, 6 near
shoulder

If not claimed and expenses paid, to be sold on 30th
October, 1953.

A. A. WALKER,

7022—12/

Poundkeeper.

KEILOR.—Impounded in Keilor Pound.

1 brown mare, heavy in foal, blaze, hind feet white, no visible brand
 If not claimed and expenses paid, to be sold on 29th October, 1953.
 D. PASCOE,
 Poundkeeper.
 7021—9/4

OXLEY.—Impounded in Oxley Pound, by Herdsman, from Oxley—Wangaratta road.

1 aged heavy draught mare, white face, hind feet white, near forefoot white, no visible brand
 If not claimed and expenses paid, to be sold on 29th October, 1953.
 G. WEIR,
 Poundkeeper.
 7020—10/8

VIOLET TOWN.—Impounded in Violet Town Pound, by Shire Ranger.

1 black mare, no visible brand
 1 red Poll Hereford bullock, top off both ears, no visible brand
 1 black Poll cow, top off near ear, V out of back of off ear, no visible brand
 If not claimed and expenses paid, to be sold on 22nd October, 1953.
 THOMAS R. KING,
 Poundkeeper.
 6993—14/8

WARRNAMBOOL.—Impounded in Warrnambool Pound.

1 grey hack or buggy horse, no visible brand
 If not claimed and expenses paid, to be sold on 28th October, 1953.
 M. STONEHOUSE,
 Poundkeeper.
 7032—8/

STATE ACTS, 1950—continued.

No.	Price. s. d.
5490. Coal Mines Regulation (Accidents Relief) ..	0 6
5491. Public Contracts (Amendment) ..	0 6
5492. Water ..	0 9
5493. Administration and Probate Duties ..	0 6
5494. Country Roads Board ..	0 6
5495. Land Tax ..	0 6
5496. Motor Car (Drivers' Licences) ..	0 6
5497. Tallangatta Township (Removal) ..	0 9
5498. Medical ..	0 6
5499. State Forests Loan and Application ..	0 6
5500. Surplus Revenue (Unexpended Balances) ..	0 6
5501. Treasury Bonds ..	0 6
5502. Co-operative Housing Societies ..	1 0
5503. Police Offences (Idle and Disorderly Persons) ..	0 6
5504. Gelliondale Land (Mineral Lease) ..	0 6
5505. Local Government (Imported Houses) ..	0 6
5506. Police Offences (Animals) ..	0 6
5507. Gas and Fuel Corporation ..	2 6
5508. Jubilee and Centenary Sports ..	0 6
5509. Railways Dismantling ..	0 9
5510. Geelong (Kardinia Park) Land ..	0 6
5511. Coal Mine Workers Pensions (Amendment) ..	0 6
5512. Municipalities and Other Authorities Finances ..	0 9
5513. Public Officers Salaries ..	0 6
5514. State Electricity Commission ..	0 6
5515. Public Works Loan and Application (No. 2) ..	0 9
5516. Ministers of the Crown and Parliamentary Salaries ..	0 6
5517. Fire Brigades (Long-Service Leave) ..	0 9
5518. Fisheries (Inland Angling) ..	0 6
5519. Mental Hygiene Authority ..	1 6
5520. Railway Loan and Application ..	1 3
5521. Education (Religious Instruction) ..	0 6
5522. Workers' Compensation (Amendment) ..	1 0
5523. Public Trustee ..	0 6
5524. McPherson's Limited Pension Fund ..	0 6
5525. Landlord and Tenant (Servicemen) ..	0 6
5526. Local Government (Shire of Braybrook) ..	0 6
5527. Appropriation of Revenue ..	4 6

W. M. HOUSTON,
 Government Printer.

STATE ACTS, 1950.

COPIES of the following Acts of Parliament of Victoria may be obtained at the Government Printing Office, or from any bookseller, at the price set opposite to each:—

No.	Price. s. d.
5451. Consolidated Revenue ..	0 6
5452. Consolidated Revenue ..	0 6
5453. Superannuation ..	0 6
5454. Marine (Temporary Exemptions) ..	0 6
5455. Consolidated Revenue ..	0 6
5456. Melbourne Harbor Trust (Housing Advances) ..	0 6
5457. University (Veterinary Research) ..	0 6
5458. Pyalong Lands Exchange ..	0 9
5459. Goods (Textile Products) ..	0 9
5460. Police Regulation (Pensions) ..	0 6
5461. Melbourne (Bowen-street) Land ..	0 9
5462. Printers and Newspapers (Foreign Advertisements) ..	0 6
5463. Police Offences (Race-meetings) ..	0 6
5464. Non-Contributory State Pensions ..	0 6
5465. Legislative Council Reform ..	2 0
5466. State Electricity Commission (Contracts) ..	0 6
5467. Police Regulation (Pensions) Amendment ..	0 6
5468. Prices Regulation (Extension) ..	0 6
5469. Factories and Shops (Amendment) ..	0 6
5470. Nurses and Midwives ..	1 3
5471. Weights and Measures ..	1 6
5472. Supreme Court (Judges) ..	0 6
5473. Drainage Areas ..	1 3
5474. Consolidated Revenue ..	0 6
5475. Forests (Accounts and Funds) ..	0 6
5476. Coal Mining Industry (Long-Service Leave) ..	0 9
5477. Acts Interpretation (Amendment) ..	0 6
5478. Agricultural Colleges (Amendment) ..	0 6
5479. Building Operations and Building Materials, &c. ..	0 9
5480. Shrine of Remembrance Site ..	0 6
5481. Public Works Loan and Application ..	0 6
5482. Grain Elevators ..	0 6
5483. Teaching Service (Amendment) ..	0 9
5484. Imported Materials Loan and Application, &c. ..	0 6
5485. Water Supply Loan and Application ..	1 3
5486. Victorian Inland Meat Authority (Advances) ..	0 6
5487. Melbourne and Metropolitan Board of Works (Contracts) ..	0 6
5488. Melbourne and Metropolitan Board of Works (Borrowing Powers) ..	0 6
5489. Cattle Compensation ..	0 6

STATE ACTS, 1951.

COPIES of the following Acts of Parliament of Victoria, may be obtained at the Government Printing Office, or from any bookseller, at the price set opposite to each:—

No.	Price. s. d.
5528. Consolidated Revenue ..	0 6
5529. State Electricity Commission (Overdraft) ..	0 6
5530. Local Government (Enrolment) ..	0 6
5531. Crimes (Reformatory Prisons) ..	0 6
5532. The Geelong Gas Company's ..	0 6
5533. Railways (Amendment) ..	0 6
5534. Poisons ..	0 6
5535. Select Committee (Egg and Egg Pulp) Marketing ..	0 6
5536. Coal Mining Industry (Long-Service Leave) Amendment ..	0 6
5537. Education (Amendment) ..	0 6
5538. Friendly Societies ..	0 6
5539. State Development ..	0 6
5540. Stamps (Cheques) ..	0 6
5541. Public Service ..	0 9
5542. Country Fire Authority (Financial) ..	0 6
5543. Consolidated Revenue ..	0 6
5544. Coal Mine Workers' Pensions (Contributions) ..	0 6
5545. Vermin and Noxious Weeds (Financial) ..	0 6
5546. Medical (Temporary Registration) ..	0 6
5547. Consolidated Revenue ..	0 6
5548. Railways (Furlough) ..	0 6
5549. Police Regulation ..	0 6
5550. Milk Board ..	1 6
5551. Bendigo (Rosalind Park) Lands ..	1 0
5552. Railways Dismantling ..	0 9
5553. Transfer of Land (Forgeries) ..	0 6
5554. Newport "A" Power Station ..	0 6
5555. Local Government (Overdrafts) ..	0 6
5556. Marketing of Primary Products (Tomatoes) ..	0 6
5557. Winchelsea Coal Mine ..	1 0
5558. Special Funds (Amendment) ..	0 6
5559. Transport ..	1 3
5560. Marine (Amendment) ..	0 6
5561. Portland Harbor Trust (Amendment) ..	0 6
5562. Transport Regulation Board ..	0 6
5563. Imported Materials Loan and Application (Financial) ..	0 6

STATE ACTS, 1951—continued.

No.	Price.
	s. d.
5564. Co-operative Housing Societies (Amendment)	0 6
5565. Egg and Egg Pulp Marketing Board	0 6
5566. Stamps (Betting Tax)	0 9
5567. Land Tax	0 6
5568. Consolidated Revenue	0 6
5569. Transport Regulation (Fees)	0 6
5570. Factories and Shops (Registration Fees)	0 6
5571. Soldier Settlement	0 9
5572. Marine (Pilotage Rates)	0 6
5573. Water (Amendment)	0 9
5574. Latrobe Valley Drainage	1 9
5575. Grace Joel Scholarship	0 6
5576. Building Operations and Building Materials Control (Extension)	0 6
5577. Benefit Associations	1 6
5578. Public Account	1 0
5579. University	0 6
5580. Prices Regulation (Amendment)	0 6
5581. Stamps (Duties)	0 6
5582. Gippsland Railway (Duplication and Re-grading) Extension	0 6
5583. Motor Car (Registration Fees)	0 6
5584. Licensing (Fees)	0 6
5585. Land (Development Leases)	0 9
5586. Parliamentary Salaries	0 6
5587. Parliamentary Contributory Retirement Fund	0 6
5588. State Forests Loan Application	0 6
5589. Water Supply Loan Application	1 0
5590. Administration and Probate (Estates)	1 6
5591. Kerang and Koondrook Tramway	0 6
5592. Ballarat Gas Company's	0 6
5593. Revocation and Excision of Crown Reservations	1 3
5594. Wrongs (Contributory Negligence)	0 6
5595. Local Government (Imported Houses)	0 6
5596. Woorayl (Unimproved Rating Poll)	0 6
5597. Health (Radiological Examinations)	0 6
5598. Melbourne Harbor Trust	0 6
5599. Friendly Societies (Amendment)	0 6
5600. Railway Loan Application	1 0
5601. Workers Compensation	3 3
5602. Statute Law Revision	0 9
5603. Revenue Deficit Funding	0 6
5604. Solicitor-General	0 6
5605. Wheat Industry Stabilization (Amendment)	0 6
5606. Local Government (Warrnambool)	0 6
5607. Geelong Harbor Trust (Amendment)	0 9
5608. Justices (Service of Process)	0 6
5609. Melbourne and Metropolitan Board of Works (Borrowing Powers)	0 6
5610. Firearms	2 0
5611. Licensing (Mildura)	0 6
5612. Marketing of Primary Products (Egg and Egg Pulp)	0 9
5613. Lands (Charitable Trusts)	0 6
5614. Melbourne Cricket Ground	0 9
5615. Judges and Public Officers Salaries	0 6
5616. Motor Car	3 0
5617. Firearms Offences	0 6
5618. Public Works Loan Application	0 6
5619. Appropriation of Revenue	4 3

W. M. HOUSTON,
Government Printer.

STATE ACTS, 1952.

COPIES of the following Acts of Parliament of Victoria may be obtained at the Government Printing Office, or from any bookseller, at the price set opposite to each:—

No.	Price.
	s. d.
5620. Consolidated Revenue	0 6
5621. Consolidated Revenue	0 6
5622. Lands (Charitable Trusts)	0 6
5623. Registration of Births Deaths and Marriages	0 6
5624. Forests (Exchange of Lands)	0 6
5625. Geelong Harbor Trust (Financial)	1 3
5626. Coal Mine Workers Pensions (Amendment)	0 6
5627. County Court (Amendment)	0 9
5628. Mines (Amendment)	0 9
5629. Consolidated Revenue	0 6
5630. Teaching Service (Amendment)	0 6
5631. Land (Development Leases) Amendment	0 6
5632. Supreme Court (Judge's Cost of Living)	0 6

STATE ACTS, 1952—continued.

No.	Price.
	s. d.
5633. Weights and Measures (Amendment)	0 6
5634. Veterinary Surgeons (Foreign Qualification)	0 6
5635. State Electricity Commission (Appliances)	0 6
5636. Prices Regulation (Butter and Cheese)	0 6
5637. Water	1 0
5638. Co-operative Housing Societies (Guarantees and Indemnities)	0 6
5639. State Electricity Commission (Borrowing)	0 6
5640. Country Roads (Amendment)	0 6
5641. Motor Car (Amendment)	0 6
5642. Land Tax	0 6
5643. Hairdressers Registration (Amendment)	0 6
5644. Totalizator (Amendment)	0 6
5645. Melbourne and Metropolitan Tramways (Fire Brigades Payments)	0 6
5646. Health (Meat Supervision)	0 6
5647. Evidence	0 6
5648. Imported Materials Loan and Application (Amendment)	0 6
5649. Geelong Waterworks and Sewerage (Amendment)	0 6
5650. Building Operations and Building Materials Control	0 6
5651. Country Fire Authority	0 9
5652. Parliamentary Contributory Retirement Fund	0 6
5653. Miners' Phthisis (Treasury Allowances) Amendment	0 6
5654. Girl Guides Association	1 0
5655. Consolidated Revenue	0 6
5656. Revenue Deficit Funding	0 6
5657. Public Works Loan Application	0 6
5658. Local Government (Imported Houses)	0 6
5659. Railway Loan Application	1 0
5660. State Forests Loan Application	0 6
5661. Water Supply Loan Application	1 0
5662. Hospital Benefits	0 9
5663. Appropriation of Revenue	4 3

W. M. HOUSTON,
Government Printer.

STATE ACTS, 1953.

COPIES of the following Acts of Parliament of Victoria may be obtained at the Government Printing Office, or from any bookseller, at the price set opposite to each:—

No.	Price.
	s. d.
5664. Parliamentary Elections (State Servants)	0 6
5665. Factories and Shops (Industrial Appeals Court)	0 6
5666. Adoption of Children (Amendment)	0 6
5667. Select Committee (Potato Marketing)	0 6
5668. Melbourne and Metropolitan Board of Works (Borrowing Powers)	0 6
5669. Water (Amendment)	0 6
5670. Trustee (Amendment)	0 6
5671. Public Account (Amendment)	0 6
5672. Transport Regulation (Amendment)	0 6
5673. Superannuation Police and State Pensions	0 6
5674. Coal Mine Workers' Pensions (Amendment)	0 6
5675. Health (Plumbers and Gas-fitters)	0 6
5676. Workers Compensation	1 3
5677. Parking of Vehicles	0 9
5678. Melbourne Harbor Trust (Tolls)	0 6
5679. The Geelong Gas Company's	0 6
5680. Barley Marketing (Amendment)	0 6
5681. Benefit Associations	0 9
5682. Consolidated Revenue	0 6

W. M. HOUSTON,
Government Printer.

SUBSCRIPTIONS.—The subscription, including postage, is £2 5s. per annum, £1 2s. 6d. half-yearly, or 11s. 3d. per quarter, payable in advance.

Subscriptions are required to commence and terminate with a month.

A lesser period than three months cannot be subscribed for.

Subscribers do not receive the Acts of Parliament with the GAZETTE.

ADVERTISEMENTS are charged at the rate of 1s. 4d. per line single column, and 2s. 8d. per line double column.

The title (£5 Reward, Dissolution of Partnerships, &c.) forms one or more lines as a heading.

On an average, ten words make a line.

Every signature must likewise be counted as a line.

The final words of a paragraph, though only portion of a line, must be counted as one line.

SIGNATURES (in particular) and proper names must be written very plainly in the text; ONE SIDE ONLY of each slip of paper should be WRITTEN UPON.

ALL COMMUNICATIONS should be addressed to "The Government Printer, Melbourne."

ALL DOCUMENTS illegibly written will be returned unpublished, and, where brands occur unprovided for by the ordinary letters of the alphabet, a worded explanatory description must be furnished.

THE VICTORIA GOVERNMENT GAZETTE is published on WEDNESDAY EVENING in each week, and Notices for insertion will be received by the Government Printer at or before Two p.m. at ordinary rates, and late advertisements between Two p.m. and Five p.m. at double rates on the day preceding the day of publication.

Single copies of the VICTORIA GOVERNMENT GAZETTE are Nine pence, posted One shilling, each.

No GAZETTES prior to January, 1942, in stock.

***ALL PAYMENTS ARE REQUIRED IN ADVANCE.—Remittances should be made by postal note, money order, or draft in favour of the Government Printer. Advertisements unaccompanied by a remittance sufficient to cover the cost of insertion will be returned unpublished.

AGENTS FOR THE "VICTORIA GOVERNMENT GAZETTE."

THE following have been appointed agents to receive Advertisements and Subscriptions for the Victoria Government Gazette:—

ARMSTRONG'S AGENCY, 143 Queen-street, Melbourne.
 ARMSTRONG BROS., Kyneton.
 MESSRS. ARNALL & JACKSON, 115 Barkly-street, West Brunswick.
 MR. M. R. BADE, Tobacconist, Sturt-street, Ballarat.
 MR. WM. DAVIS, Mildura.
 A. J. DIGBY (B. S. and N. W. CASH), Main-street, Bairnsdale.
 EDGAR'S NEWS AGENCY, Hargreaves-street, Bendigo.
 MESSRS. HENRY FRANKS & CO., Booksellers and Stationers, Market-square, Geelong.
 MESSRS. GORDON & GOTCH, News Agents, 511 Little Collins-street, Melbourne; and corner Barrack and Clarence streets, Sydney.
 A. C. HAMPTON, 243 Mitchell-street, Bendigo.
 MESSRS. HARSTON, PARTRIDGE, & CO., 455 Little Collins-street, Melbourne.
 MR. C. F. LATIMER, News Agent, Casterton.
 McARTHUR'S AUTHORIZED NEWSAGENCY, 345 Wyndham-street, Shepparton.
 MESSRS. H. PAYNE & R. N. LOWE, 4 View Point, Bendigo.
 MESSRS. R. H. & W. M. PETTY, News Agent, Wangaratta.
 J. PURDIE & CO., 138 Moorabool-street, Geelong.
 F. W. RASHLEIGH & SON, Nunn-street, Benalla.
 MESSRS. A. S. RICHARDSON and T. C. GARDNER, trading as The Mercantile Exchange, 380 Collins-street, Melbourne.
 ROBERTSON & MULLENS LTD., Elizabeth-street, Melbourne.
 SALE AUTHORIZED NEWS AGENTS, Sale.
 MESSRS. SMITH & DUNNON, Hamilton.

F. D. & J. R. TRAINOR, 246 Wyndham-street, Shepparton.
 E. W. B. WELSH, Hogan-street, Tatura.

A copy of the Gazette filed at each place for public reference.

THE "VICTORIA GOVERNMENT GAZETTE."

ATTENTION is invited to the following procedure in relation to the publication of official matter in the Government Gazette:—

1. Matter submitted to the Executive Council.

Matter submitted to the Executive Council which requires gazettal will normally be published in the issue of the following week.

Where urgent gazettal is required, special arrangements should be made with the Gazette Officer.

Publication will be facilitated by the submission of carbon copies for the use of the Gazette Officer.

2. Other matter.

(a) All other matter duly certified by a responsible officer for publication should be lodged with the Gazette Officer not later than half-past Ten a.m. on Tuesday.

(b) Lengthy or involved notices should be forwarded several days before publication.

(c) Proofs, which will be supplied only when specifically requested, or at the direction of the Gazette Officer, should be returned promptly to avoid delay in publication.

(d) No additions or amendments to matter for publication will be accepted by telephone.

CONTENTS.

	Page
Acts of Parliament on sale at the Government Printing Office	4912
Appointments	4874
Auction Sales Act	4885
Bank Holidays	4872
Bank Half-Holidays	4873
Business Agents Act 1930	4885
Contracts	4880
Country Roads Board	4891
Courts	4882
Estates of Deceased Persons	4883
Government Notices	4873
Impoundings	4911
Lands	4897
Melbourne Cup Day Holiday	4873
Mining	4888, 4911
Ministers of Religion Registered to Celebrate Marriages in Victoria	4887
Money Lenders Act 1938	4886
Orders in Council	4888
Private Advertisements	4905
Proclamations	4871
Public Holidays	4873
Public Service Notices	4901
Real Estate Agents Act	4884
Resignations	4875
Rules of the Supreme Court	4887
Tenders	4898
Transport Regulation Board—Public Hearings	4876
Waterworks Trusts	4888