



VICTORIA
GOVERNMENT GAZETTE

Published by Authority

[Registered at the General Post Office, Melbourne, for transmission by post as a newspaper.]

No. 84]

WEDNESDAY, OCTOBER 14

[1964

ACTS OF PARLIAMENT.

PROCLAMATION

By His Excellency the Governor of the State of Victoria and its Dependencies in the Commonwealth of Australia, &c., &c., &c.

I, THE Governor of the State of Victoria, in the Commonwealth of Australia, do hereby declare that I have this day assented, in Her Majesty's name, to the Bills passed by the Parliament of the said State, the titles whereof are hereunder set forth, that is to say:—

- No. 7154. "An Act to amend Section Eighty-one of the *Metropolitan Fire Brigades Act 1958*."
 No. 7155. "An Act to validate the Adoption of Rating on Unimproved Values in the City of Mildura and for other purposes."
 No. 7156. "An Act to amend Section Eighty-two of the *Country Fire Authority Act 1958*."
 No. 7157. "An Act to postpone the Day and Time for the Taking of a Poll of the Ratepayers of the City of South Melbourne on a Proposal to adopt Rating on Unimproved Values in the said City, and for other purposes."
 No. 7158. "An Act to amend Section Forty-six of the *Closer Settlement Act 1938*."
 No. 7159. "An Act to provide for the Payment of Pensions in respect of Chairmen of General Sessions."

Given under my Hand and the Seal of the State of Victoria aforesaid, at Melbourne, this sixth day of October, in the year of our Lord One thousand nine hundred and sixty-four, and in the thirteenth year of the reign of Her Majesty Queen Elizabeth II.

(L.S.) ROHAN DELACOMBE.

By His Excellency's Command,
HENRY E. BOLTE,
Premier.

GOD SAVE THE QUEEN!

ACTS OF PARLIAMENT.

PROCLAMATION

By His Excellency the Governor of the State of Victoria and its Dependencies in the Commonwealth of Australia, &c., &c., &c.

I, THE Governor of the State of Victoria, in the Commonwealth of Australia, do hereby declare that I have this day assented, in Her Majesty's name, to the Bills passed by the Parliament of the said State, the titles whereof are hereunder set forth, that is to say:—

- No. 7160. "An Act to increase the Maximum Sum which may be borrowed by the Grain Elevators Board."
 No. 7161. "An Act to amend the *Local Authorities Superannuation Act 1958*."

Given under my Hand and the Seal of the State of Victoria aforesaid, at Melbourne, this thirteenth day of October, in the year of our Lord One thousand nine hundred and sixty-four and in the thirteenth year of the reign of Her Majesty Queen Elizabeth II.

(L.S.) ROHAN DELACOMBE.

By His Excellency's Command,
HENRY E. BOLTE,
Premier.

GOD SAVE THE QUEEN!

PUBLIC HIGHWAY.—SHIRE OF FRANKSTON.

PROCLAMATION

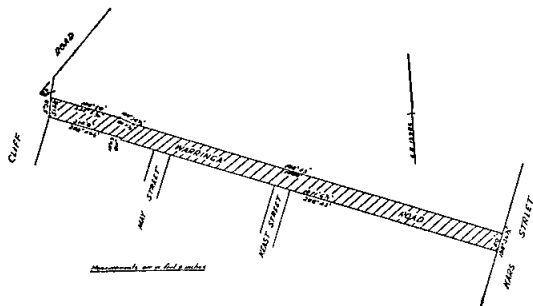
By His Excellency the Governor of the State of Victoria and its Dependencies in the Commonwealth of Australia, &c., &c., &c.

WHEREAS by the *Local Government Act 1958*, as amended, section 519, it is amongst other things enacted that it shall be lawful for the Governor in Council at any time and from time to time upon request of the

Council of any municipality by notice in the *Government Gazette* to proclaim any land reserved, used or by purchase or exchange acquired for a street, road, highway, thoroughfare, bridge, square, court, alley or right-of-way or any street, road, lane or passage made or laid out or proposed to be made or laid out on any land of which a plan delineating that street, road, lane or passage has been lodged with the Registrar of Titles to be a public highway and that such land shall thereupon and thenceforth from the date of such proclamation become and be absolutely dedicated to the public as a public highway within the meaning of any law then or thereafter in force:

And whereas the Council of the Shire of Frankston has requested that the land hereinafter mentioned, used for a street, be so declared to be a public highway:

Now therefore I, the Governor of the State of Victoria, in the Commonwealth of Australia, by and with the advice of the Executive Council of the said State, do by this Proclamation declare that all that piece of land known as Warringa-road, Frankston, and indicated by hatching on the plan hereunder, shall be a public highway within the meaning of the said Act:



Given under my Hand and the Seal of the State of Victoria aforesaid, at Melbourne, this sixth day of October, in the year of our Lord One thousand nine hundred and sixty-four, and in the thirteenth year of the reign of Her Majesty Queen Elizabeth II.

(L.S.) ROHAN DELACOMBE.

By His Excellency's Command,
R. J. HAMER,
Minister for Local Government.
GOD SAVE THE QUEEN!

PUBLIC HIGHWAY.—SHIRE OF MANSFIELD.

PROCLAMATION

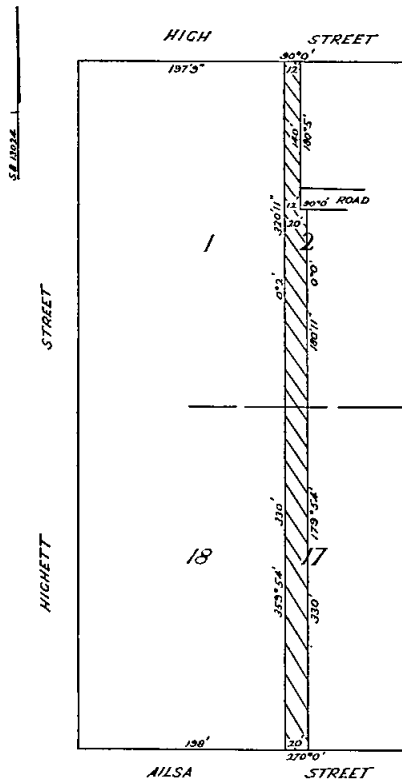
By His Excellency the Governor of the State of Victoria and its Dependencies in the Commonwealth of Australia, &c., &c., &c.

WHEREAS by the *Local Government Act 1958*, as amended, section 519, it is amongst other things enacted that it shall be lawful for the Governor in Council at any time and from time to time upon request of the Council of any municipality by notice in the *Government Gazette* to proclaim any land reserved, used or by purchase or exchange acquired for a street, road, highway, thoroughfare, bridge, square, court, alley or right-of-way or any street, road, lane or passage made or laid out or proposed to be made or laid out on any land of which a plan delineating that street, road, lane or passage has been lodged with the Registrar of Titles to be a public highway and that such land shall thereupon and thenceforth from the date of such proclamation become and be absolutely dedicated to the public as a public highway within the meaning of any law then or thereafter in force:

And whereas the Council of the Shire of Mansfield has requested that the land hereinafter mentioned, used for a street, be so declared to be a public highway:

Now therefore I, the Governor of the State of Victoria, in the Commonwealth of Australia, by and with the advice of the Executive Council of the said State, do by this Proclamation declare that all that piece of land known

as Bank-place, Mensfield, and indicated by hatching on the plan hereunder, shall be a public highway within the meaning of the said Act.



Given under my Hand and the Seal of the State of Victoria aforesaid, at Melbourne, this sixth day of October, in the year of our Lord One thousand nine hundred and sixty-four, and in the thirteenth year of the reign of Her Majesty Queen Elizabeth II.

(L.S.) ROHAN DELACOMBE.

By His Excellency's Command,
R. J. HAMER,
Minister for Local Government.
GOD SAVE THE QUEEN!

PUBLIC HIGHWAYS.—CITY OF RINGWOOD.

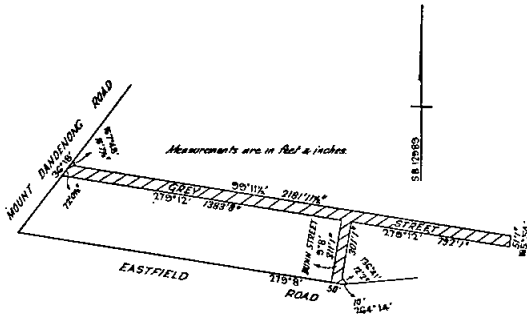
PROCLAMATION

By His Excellency the Governor of the State of Victoria and its Dependencies in the Commonwealth of Australia, &c., &c., &c.

WHEREAS by the *Local Government Act 1958*, as amended, section 519, it is amongst other things enacted that it shall be lawful for the Governor in Council at any time and from time to time upon request of the Council of any municipality by notice in the *Government Gazette* to proclaim any land reserved, used or by purchase or exchange acquired for a street, road, highway, thoroughfare, bridge, square, court, alley or right-of-way or any street, road, lane or passage made or laid out or proposed to be made or laid out on any land of which a plan delineating that street, road, lane or passage has been lodged with the Registrar of Titles to be a public highway and that such land shall thereupon and thenceforth from the date of such proclamation become and be absolutely dedicated to the public as a public highway within the meaning of any law then or thereafter in force:

And whereas the Council of the City of Ringwood has requested that the lands hereinafter mentioned, used for streets or being streets, roads, lanes or passages made or laid out or proposed to be made or laid out on land of which a plan delineating those streets, roads, lanes or passages has been lodged with the Registrar of Titles, be so declared to be public highways:

Now therefore I, the Governor of the State of Victoria, in the Commonwealth of Australia, by and with the advice of the Executive Council of the said State, do by this Proclamation declare that Grey-street and Dunn-street, East Ringwood, shown hatched on the plan hereunder, shall be public highways within the meaning of the said Act.



Given under my Hand and the Seal of the State of Victoria aforesaid, at Melbourne, this sixth day of October, in the year of our Lord One thousand nine hundred and sixty-four, and in the thirteenth year of the reign of Her Majesty Queen Elizabeth II.

(L.S.) ROHAN DELACOMBE.

By His Excellency's Command,
R. J. HAMER,
Minister for Local Government.
GOD SAVE THE QUEEN!

LOCAL GOVERNMENT DEPARTMENT.

PROCLAMATION EXTENDING THE OPERATION OF THE UNIFORM BUILDING REGULATIONS

By His Excellency the Governor of the State of Victoria and its Dependencies in the Commonwealth of Australia, &c., &c., &c.

WHEREAS section 916A of the *Local Government Act 1958*, as amended, provides, *inter alia*, that the Governor in Council may, by Proclamation published in the *Government Gazette*, at the request of the Council of any municipality (not being a city or town) extend the operation of the Regulations made under Part XLIX. of the Act to the municipal district of such municipality or any part thereof:

And whereas the Council of the Shire of Maldon has requested that the operation of the Uniform Building Regulations be extended to the whole of the municipal district of the said municipality:

And whereas by Proclamation published in the *Government Gazette* on the 26th November, 1947, the operation of the Uniform Building Regulations was extended to part of the municipal district of the Shire of Yea and the Council of the said Shire has requested that the operation of the said Regulations be extended to further parts of the municipal district of the said municipality:

Now therefore, I, the Governor of the State of Victoria, by and with the advice of the Executive Council thereof, by this my Proclamation, do hereby extend the operation of the Regulations made under Part XLIX. of the *Local Government Act 1958*, as amended, to—

- (a) the whole of the municipal district of the Shire of Maldon;
- (b) those parts of the municipal district of the Shire of Yea defined hereunder—
 - (i) the Township of Molesworth;
 - (ii) all that portion of the Parish of Kinglake in the municipal district of the Shire;
 - (iii) all the land comprising Crown allotments 31, 31AA, 7, 8, 10, 11, 12, 1, 2, 3, 4, 5, 6, 18, 19, 20, 21, 22 and 23, Parish of Yea, and Crown allotments 23A, 22A, 22B, 21A, 6, 19A, 18B, section B, and Crown allotments 44, 44B, 45A, 45B and 45C, Parish of Flowerdale and that part of Crown allotment 1 of section A, Parish of Whanregarwen, north of the Yea-Mansfield railway line:

and Order that the said Regulations shall come into operation in the municipal district of the Shire of Maldon and the above-mentioned parts of the municipal district of the Shire of Yea on publication of this Proclamation in the *Government Gazette*, provided that Parts I. and II. of Chapter 8 thereof shall not be deemed to come into operation till the 30th December, 1964, except in so far as may be necessary to enable the Councils of the said municipalities to make By-laws, pursuant to the powers conferred by Part III. of the said Chapter, and provided further that no such By-law shall come into operation before the 30th December, 1964.

Given under my Hand and the Seal of the State of Victoria aforesaid, at Melbourne, this sixth day of October, in the year of our Lord One thousand nine hundred and sixty-four, and in the thirteenth year of the reign of Her Majesty Queen Elizabeth II.

(L.S.) ROHAN DELACOMBE.

By His Excellency's Command,
R. J. HAMER,
Minister for Local Government.
GOD SAVE THE QUEEN!

PUBLIC HOLIDAYS.

PROCLAMATION

By His Excellency the Governor of the State of Victoria and its Dependencies in the Commonwealth of Australia, &c., &c., &c.

IN pursuance of the provisions contained in Part III. of the *Public Service Act 1958*, I, the Governor of the State of Victoria, in the Commonwealth of Australia, by and with the advice of the Executive Council of the said State, do by this my Proclamation appoint the days and dates hereunder mentioned to be observed as Public Holidays or Public Half-Holidays (as the case may be) at the places respectively specified, viz.:—

Public Holidays:—

TUESDAY, THE 3RD NOVEMBER, 1964, throughout the Townships of Donald, Litchfield and Corack in the Shire of Donald.

TUESDAY, THE 3RD NOVEMBER, 1964, throughout the City of Bendigo.

Public Half-Holidays from the Hour of Twelve o'clock noon:—

WEDNESDAY, THE 21ST OCTOBER, 1964, throughout the City of Geelong.

WEDNESDAY, THE 18TH NOVEMBER, 1964, throughout the Shire of Buninyong.

Given under my Hand and the Seal of the State of Victoria aforesaid, at Melbourne, this thirteenth day of October, in the year of our Lord One thousand nine hundred and sixty-four, and in the thirteenth year of the reign of Her Majesty Queen Elizabeth II.

(L.S.) ROHAN DELACOMBE.

By His Excellency's Command,
V. F. WILCOX,
for Chief Secretary.
GOD SAVE THE QUEEN!

BANK HOLIDAYS.

PROCLAMATION

By His Excellency the Governor of the State of Victoria and its Dependencies in the Commonwealth of Australia, &c., &c., &c.

IN pursuance of the provisions of the *Bank Holidays Act 1958*, I, the Governor of the State of Victoria, in the Commonwealth of Australia, do by this my Proclamation appoint the days and dates named hereunder special days to be observed as Bank Holidays or Bank Half-Holidays (as the case may be) at the places respectively mentioned, that is to say:—

Bank Holidays:—

TUESDAY, THE 3RD NOVEMBER, 1964, at Queenscliff.

Bank Half-Holidays from the Hour of Eleven a.m.

TUESDAY, THE 3RD NOVEMBER, 1964, at Heathcote.

WEDNESDAY, THE 4TH NOVEMBER, 1964, at Kyneton.

Given under my Hand and the Seal of the State of Victoria aforesaid, at Melbourne, this thirteenth day of October, in the year of our Lord One thousand nine hundred and sixty-four, and in the thirteenth year of the reign of Her Majesty Queen Elizabeth II.

(L.S.) ROHAN DELACOMBE.

By His Excellency's Command,

V. F. WILCOX,
for Chief Secretary.

GOD SAVE THE QUEEN!

HOLIDAY.—MELBOURNE CUP DAY.

NOTICE is hereby given that on—

TUESDAY, THE 3RD NOVEMBER, 1964,

the Public Offices in the municipalities mentioned hereunder will be closed, that day being appointed by the *Public Service Act 1958* to be observed as a holiday in the Public Offices:—

The Cities of Box Hill, Brighton, Broadmeadows, Brunswick, Camberwell, Caulfield, Chelsea, Coburg, Collingwood, Dandenong, Essendon, Fitzroy, Footscray, Hawthorn, Heidelberg, Keilor, Kew, Malvern, Melbourne, Moorabbin, Mordialloc, Northcote, Nunawading, Oakleigh, Port Melbourne, Prahran, Preston, Richmond, Ringwood, St. Kilda, Sandringham, South Melbourne, Springvale, Sunshine, Waverley and Williamstown; the Shires of Altona, Bacchus Marsh, Berwick, Bulla, Cranbourne, Croydon, Doncaster and Templestowe, Eltham, Fern Tree Gully, Frankston, Gisborne, Hastings, Knox, Lillydale, Melton, Mornington, Romsey, Werribee and Whittlesea.

This notice relates only to the closing of the State Public Offices. All inquiries regarding holidays in other offices and in shops and industry should be directed to the Department of Labour and Industry, 110 Exhibition-street, Melbourne. (Telephone 63-0321, Extension 6158 or 6721.)

A. G. RYLAH,
Chief Secretary.

Chief Secretary's Office,
Melbourne, 5th October, 1964.

Housing Act 1958 (Section 99 of Act No. 6275).

GENERAL NOTICE TO PARTIES EMPOWERED BY THE "LANDS COMPENSATION ACT 1958" TO SELL AND CONVEY OR GRANT AND RELEASE PURSUANT TO SECTION 99 OF ACT 6275.

GENERAL NOTICE TO TREAT FOR LAND IN A RECLAMATION AREA AT WILLIAMSTOWN.

IN pursuance of the provisions contained in the *Housing Act 1958* and of the *Lands Compensation Act 1958* Housing Commission (hereinafter referred to as the Commission) hereby doth give notice that the lands tenements and hereditaments described in the Schedule hereto are required for the purpose of the *Housing Act 1958* and that the Commission is authorized by the provisions of section 68 of the *Housing Act 1958* to purchase or take compulsorily the said lands.

And the Commission accordingly hereby gives notice to all the parties interested in such lands and to all persons empowered by the *Lands Compensation Act 1958* to sell and convey or grant and release the lands so required that it requires to take and purchase the lands referred to in the said Schedule hereto and that it is willing to treat with such parties or persons for the purchase thereof and as to the compensation to be made and for the damage that may be sustained by reason of the execution of the works.

And further the Commission hereby requires such parties or persons on or before the expiration of 21 days from the 17th day of October, 1964, to deliver to the offices of the Commission, at 179 Queen-street, Melbourne, a statement, in writing, of the particulars of the estate and interest in the said lands tenements and hereditaments and of the claims made in respect thereof.

Dated the 29th day of September, 1964.

By order of the Commission,
G. V. MONGAN,
Acting Secretary.

SCHEDULE.

First.—Crown allotments 7, 8 and 9, section 4, City of Williamstown, Parish of Cut-paw-paw.

Secondly.—Part Crown allotment 6, section 4, City of Williamstown, Parish of Cut-paw-paw, and being the land secondly and thirdly described in indenture of conveyance No. 145, book 569, registered in the office of the Registrar General and having a frontage of 134 feet to Jackson-street and a frontage of 50 feet to Aitken-street.

Plans are available for inspection at the Estates Branch of the Housing Commission situated on the seventh floor, at 179 Queen-street, Melbourne, and forms for the making of claims will also be available on application to the Commission.

Housing Act 1958.

NOTICE OF RESOLUTION UNDER SECTION 99 (4) OF ACT No. 6275.

NOTICE is hereby given that Housing Commission, on the fifth day of October, 1964, resolved as follows:—

"Whereas Housing Commission in respect of the lands described in the Schedule hereto has given notice to the parties interested under section 9 of the *Lands Compensation Act 1958*, as incorporated with the *Housing Act 1958*, Housing Commission hereby resolves that the lands described in the Schedule hereto are finally appropriated for the purposes of the *Housing Act 1958*."

SCHEDULE.

First.—All that piece of land situate within the municipality of the City of Heidelberg, and being the land comprised in certificate of title, volume 6978, folio 538.

Secondly.—All that piece of land situate within the municipality of the Shire of Wodonga, and being the whole of the land in Crown allotments 1 and 2, of section N2, Township and Parish of Wodonga, excepting thereout the land described in deeds of conveyance and memorialized in the office of the Registrar-General, and therein numbered 349 of Book 642, 943 and 944 of Book 645, 157 of Book 652 and 907 of Book 674.

A. L. BOHN,
Secretary.

DEPARTMENT OF MINES.

TERM OF PETROLEUM PROSPECTING LICENCE EXTENDED.

199, Petroleum Prospecting Licence; Westralian Oil Limited; 80 square miles, Parishes of Devon, Yarram Yarram, Alberton West, Welshpool and Toora.

T. A. DARCY,
Minister of Mines.

REGISTRATION OF BIRTHS, DEATHS AND MARRIAGES ACT 1959.

IN accordance with the provisions of section 7 (2) of the *Registration of Births, Deaths and Marriages Act 1959*, notice is hereby given that on the seventh day of October, 1964, I, the Chief Secretary of the State of Victoria, appointed Alan Oakley Wallace, to be a Collecting Agent at Numurkah, in place of Barry John Ryan, resigned.

V. F. WILCOX,
Assistant Chief Secretary.

Chief Secretary's Office,
Melbourne, 7th October, 1964.

Motor Car Act 1958, Section 41.

EFFECTIVE DATE OF WITHDRAWAL BY AUTHORIZED INSURER.

WHEREAS by notice, in writing, dated the thirtieth day of September, 1964, the following authorized insurer, under Part V. of the *Motor Car Act 1958*, namely—

MILFORD INSURANCE COMPANY LIMITED,
has withdrawn from insurance business in terms of the aforesaid part:

Now therefore I, Her Majesty's Chief Secretary for the State of Victoria, in pursuance of the provisions of section 41 of the said Act, do hereby specify the first day of December, 1964, as the date upon which such notice of withdrawal shall have effect.

A. G. RYLAH,
Chief Secretary.

Chief Secretary's Office,
Melbourne, 7th October, 1964.

Transport Regulation Act.
TRANSPORT REGULATION BOARD.

HEARING OF APPLICATIONS.

NOTICE is hereby given that the following applications will be considered by the Transport Regulation Board at its offices at Rathdown-street, Carlton, at 10.15 a.m. on Wednesday, 28th October, 1964:—

Application by—

RUSSELL, K. S., 20 Royal-avenue, Heathmont;
SMITH, C. W., 255 Springfield-road, Nunawading;
UR, B., 8 Gerald-street, Nunawading; and
ZANCO, G., 16 Jacana-avenue, Lower Templestowe;
each for a commercial passenger vehicle with seating capacity for five (5) persons to operate as a metropolitan private hire car from an approved depot in the area designated Zone "T."

Notice of any objection should be forwarded to reach the Secretary of the Board not later than Monday, 26th October, 1964.

Applicants as above are advised that it will not be necessary to appear on the date specified, unless they receive advice, in writing, from the Board.

B. P. KAY,
Secretary.

Exhibition Buildings, Rathdown-street, Carlton, N.3,
Wednesday, 14th October, 1964.

Transport Regulation Act.
TRANSPORT REGULATION BOARD.

HEARING OF APPLICATIONS.

NOTICE is hereby given that the following applications will be considered by the Transport Regulation Board at its offices at Rathdown-street, Carlton, at 10.15 a.m. on Wednesday, 4th November, 1964.

BULUMWAAL TIMBER CO. PTY. LTD., Bulumwaal, via Bairnsdale. One commercial passenger vehicle (S/C.8) to operate for the carriage of employees only between the applicant company's own sawmill at Bulumwaal and Bairnsdale free of charge.

TIME-TABLE.

Monday to Thursday.

Dep. Bairnsdale .. 6.30 a.m. Arr. 6.00 p.m.
Arr. Bulumwaal .. 7.30 a.m. Dep. 5.00 p.m.

Fridays.

Dep. Bairnsdale .. 2.45 p.m. Arr. 3.45 p.m.
Dep. Bairnsdale .. 6.30 p.m.

CUTHBERTSON & RICHARDS SAWMILLS PTY. LTD., Payne-street, Bairnsdale. One commercial passenger vehicle (S/C. 8) to operate for the carriage of the applicant company's own employees between the company's own sawmill at Bulumwaal and Bairnsdale free of charge.

TIME-TABLE.

Dep. Bairnsdale 6.45 a.m. Arr. Bulumwaal 7.30 a.m.
Dep. Bulumwaal 4.45 p.m. Arr. Bairnsdale 5.30 p.m.

FOWLER, W., 30 Coppin-street, Richmond. Application for permit authority to operate any one M.C. licensed vehicle at a separate and distinct fare from a stand used by special service omnibuses situated in Camberwell-road, west side adjacent to the Rivoli Theatre car park, 370 feet north-west of the building alignment of Burke-road to Sandown Racecourse on days when horse-racing events are to be held. Fare: 5s. single.

HEIDELBERG-ELTHAM BUS SERVICE, 101 Bell-street, Heidelberg. A required number of commercial passenger vehicles with large seating capacities to operate as country stage omnibuses on the following route:—Eltham—Lower Plenty—Broadmeadows, commencing at the Eltham Railway Station, via Main-road, Looker-road, Airlie-road, Alexander-street, Rattray-road, Parer-road, to Greensborough Railway Station; thence via Main-street, Henry-street, Nell-street, Watsonia-road, Grimshaw-street to Plenty-road, Bundoora, with extension when road conditions are satisfactory and adequate development has occurred from the corner of Grimshaw-street and Plenty-road via Settlement-lane, High-street, Mahoneys-road, Camp-road to Broadmeadows Railway Station (sections, fares and time-tables to be determined). NOTE.—This application replaces that previously gazetted.

JOHNSON, A. C. & A. J., 117 Edgar-street, Portland. One commercial passenger vehicle (S/C. 5) to operate under the same terms and conditions as existing taxi-cabs licenced at Portland subject to the cancellation of licence C.H.10 in the name of the applicants

MCKELLAR, E. R. & K. M., Union-street, Golden Square. Application to vary licence C.O.297 as follows: (a) To include the ability to operate for the carriage of mails, newspapers and urgent parcels between Bendigo and Swan Hill, via Mitiamo and Pyramid. (b) To amend fare schedules as per application dated 26th August, 1964.

NITZ, K., 19 Maxwell-avenue, Newport West. One commercial passenger vehicle (S/C. 6) to operate for the carriage of Sunday school children and parishioners to and from the Apostolic Christian Church of Nazarene situated at 19 Maxwell-avenue, Newport West from and to their home addresses situated in the Newport, Brooklyn areas free of charge. Time-table:—At least one return trip Thursdays and Sundays.

NUGENT, D. J. & J. E., 334 Mountain Highway, Bayswater. Application for variation of all C.O. licences held in the applicant's name to operate at separate and distinct fares between Fern Tree Gully and Sandown Racecourse on race-days only, from the corner of The Avenue and Station-street, Fern Tree Gully via Alpine-street, Underwood-road, Dorset-road, Mountain Highway, Stud-road, High Street-road, Springvale-road and Dandenong-road. Fare: 5s. single, 8s. return.

POINT COOK—WERRIBEE PASSENGER SERVICE PTY. LTD., Railway-avenue, Laverton. One commercial passenger vehicle (S/C.37) to operate as a country stage omnibus under the same terms and conditions as C.O. licences already held in the applicant's name.

QUINCES SCENICRUISERS PTY. LTD., 64 Ardyne-street, Murrumbidgee. Application for permit authority to operate at separate and distinct fares from the stand appointed for the use of metropolitan special service omnibus in Portman-street, Oakleigh to Sandown Racecourse (on days when race-meetings are held thereon).

ROSS, H. R., 8 Willow-grove, West Coburg. One commercial passenger vehicle (S/C. 7) to operate for the carriage of kindergarten children free of charge between the kindergarten situated at 8 Willow-grove, West Coburg, and the children's home addresses in Coburg, Brunswick and Pascoe Vale.

REID'S BUS SERVICE, 252 St. Georges-road, Northcote. Application for permit authority to operate one M.C. licensed vehicle at a separate and distinct fare from a stand used by special service omnibuses situated in Alamein-road, West Heidelberg, east side 30 feet south of East-street to Sandown Racecourse on days when horse-racing events are to be held. Fare to be determined.

REID'S BUS SERVICE, 252 St. Georges-road, Northcote. Application for permit authority to operate two (2) M.C. licensed vehicles at a separate and distinct fare from a stand used by special service omnibuses situated in High-street, Preston, east side, 50 feet north of the Junction Hotel to Sandown Racecourse on days when horse-racing events are to be held. Fare to be determined.

SINCLAIR, W., & SONS PTY. LTD., 1081 Nepean Highway, Moorabbin. Application for transfer of licence No. M.C.273, which is current to 20th December, 1964, and expires on 20th December, 1970, and authorizes operations as a metropolitan special service omnibus (at present in the name of Cheetham and Borwick, 37-49 Cardigan-street, Carlton).

SINCLAIR, W., & SONS PTY. LTD., 1081 Nepean Highway, Moorabbin. Application for permit authority to operate at separate and distinct fares from the loading stand approved for the use of metropolitan special service omnibuses in Flinders-street, Melbourne to Moonee Valley Racecourse on race-days only (subject to the cancellation of permit authority at present in the name of Cheetham and Borwick-Carlton).

VENTURA MOTORS PTY. LTD., 1037 Centre-road, South Oakleigh. Application for variation of Route 26A (Glen Iris—Glen Waverley) to delete the existing turning procedure west of Glen Iris Railway Station via High-street, Wandean-road, Lower Malvern-road and High-street to a stand situated close to the railway gates and instead to operate the following turning procedure; via High-street and Wills-street to Glen Iris Railway Station (east side) and to special turning arrangement at the corner of Kerford-road, Glen Iris, returning at the same route.

APPLICATIONS for renewal of licences as shown, by persons listed hereunder to operate under the same terms and conditions:—

AMPOL (ALBA) PETROLEUM (VIC.) PTY. LTD., 792 Elizabeth-street, Melbourne; T.P.39.

BROWN, W., & SONS PTY. LTD., 740-746 Elizabeth-street, Melbourne; T.P.159.

BRUK BRUK BUS SERVICE PTY. LTD., Private Bag, 172, Casterton; T.P.198.

IMPERIAL CHEMICAL INDUSTRIES OF AUST. & NEW ZEALAND LTD., 1 Nicholson-street, Melbourne; T.P.54.

MC CONVILLE, T. R., Post Office, Litchfield; T.S.783.

MCHARRY, N. J. & A. M., 43 The Esplanade, Geelong North; U.O.478, U.O.473.

Notice of any objection should be forwarded to reach the Secretary of the Board not later than Wednesday, 28th October, 1964.

Applicants are advised that it will not be necessary to appear on the hearing date specified above, unless advised, in writing, by the Board.

B. P. KAY,
Secretary.

Exhibition Buildings, Rathdown-street, Carlton, N.3,
Wednesday, 14th October, 1964.

Commercial Goods Vehicles Act.
TRANSPORT REGULATION BOARD.

HEARING OF APPLICATIONS.

NOTICE is hereby given that the following applications will be considered by the Transport Regulation Board at its offices at Rathdown-street, Carlton, at 10.15 a.m. on Wednesday, 4th November, 1964.

AGGREGATE CONTRACTING CO. PTY. LTD., 22 Park-street, Seymour. One commercial goods vehicle (200 cwt.) to operate: (a) Within a 50-mile radius of own premises at Seymour in the course of business as "Premixed Concrete Manufacturers and Distributors"—own premixed concrete in a specially constructed agitator vehicle. (b) Within a 50-mile radius of the premix concrete plant at Colbinabbin Quarry—premixed concrete.

ALLEN, A. W., 129 Kay-street, Traralgon. One commercial goods vehicle (6 cwt.) to operate within a 50-mile radius of Traralgon—in course of business as "Sales Agent" on behalf of Office Systems Pty. Ltd., of Traralgon—office equipment and stationery.

ALLAN, C. S., Oxley. One commercial goods vehicle (108 cwt.) to operate: (a) Within a 20-mile radius of Oxley—general goods. (b) From and to places within a 20-mile radius of Oxley to and from places within a 50-mile radius of Oxley—livestock.

ARDEN, G. H., Gardner-street, Longwarry. One commercial goods vehicle (98 cwt.) to operate: (a) Within a 50-mile radius of post office at Longwarry as a "Road Contractor"—road-making plant and materials. (b) Within a 20-mile radius of post office at Longwarry—general goods.

ARMOURD ESCORTS PTY. LTD., Cr. Arden and Lothian streets, North Melbourne. One commercial goods vehicle (11 cwt.) to operate throughout the State of Victoria for the purpose of making special deliveries in an armoured vehicle in the course of business as "Armoured Escorts".

AUTO TYRE & RUBBER CO., 154-160 Fairy-street, Warrnambool. One commercial goods vehicle (10 cwt.) to operate within a 50-mile radius from own premises at Warrnambool, in the course of business as "New and Second-hand Tire and Car Accessory Distributors"—tires and tubes for sale and delivery, used tires for repair and retreading or having been repaired or re-treaded, batteries, oil, motor car accessories and polythene piping.

BELLINGHAM, D. R. & M. R., 5 Shingler-street, Leongatha. One commercial goods vehicle (100 cwt.) to operate: (a) Within a 20-mile radius of Leongatha—general goods. (b) Within a 50-mile radius of Leongatha—household furniture when being moved from:—(i) residence to residence; (ii) from residence for storage or sale; (iii) from a vendor to the residence of the purchaser; (iv) from storage to residence.

BIRBOS, H., 43 Elgin-street, Morwell. One commercial goods vehicle (144 cwt.) to operate from forestry landings in the Mt. Useful and Licola areas to the A.P.M. at Maryvale—pulpwood.

BROWN, C. W., Box 28, Harrow. Two commercial goods vehicles (230 and 120 cwt.) to operate: (a) Within a 20-mile radius of post office at Harrow—general goods. (b) Within a 50-mile radius of post office at Harrow—marine goods as designated in the *Marine Stores and Old Metals Act 1958* (No. 6303), part 1, paragraph 3.

BROWN & SONS, 71 Argyle-street, Traralgon. One commercial vehicle (129 cwt.) to operate throughout the State of Victoria in the course of business as "Marine Collector"—marine goods as designated in the *Marine Stores and Old Metals Act 1958* (No. 6303), but excluding the carriage of any such goods to wharves, docks or ships for shipment or export purposes.

BULLOCK, H. T., Princess-street, Bunyip. Application to vary the conditions of licence No. T.T.D.617/1 (L/C. 302 cwt.) by adding to the existing conditions "From F. & G. Murphy's Mill at Healesville to consignees in the Box Hill area—sawn timber".

CAREY, L. H., 111 Albert-street, Ballarat. One commercial goods vehicle (30 cwt.) to operate throughout the State of Victoria in the course of business as "Travelling Showman"—own sideshow equipment and novelty prizes.

CARSTEIN, J. H., Box 4, Boolarra. One commercial goods vehicle (119 cwt.) to operate within a 25-mile radius of the A.P.M. at Maryvale to the A.P.M. at Maryvale—pulpwood.

CLISSOLD, N. E., Otway-street, Lorne. One commercial goods vehicle (167 cwt.) to operate from and to the City of Melbourne or from and to the City of Geelong, to and from places situate between the City of Geelong and the Township of Lorne, provided no goods whatsoever are carried from and to the City of Melbourne, to and from City of Geelong, or to and from any places en route between the said Cities of Melbourne and Geelong—general goods.

COLGATE PALMOLIVE PTY. LTD., 660 Footscray-road, West Melbourne. Two commercial goods vehicles (9 cwt. each) to operate in the course of business of the licensee as "Soap and Cosmetic Manufacturers"—(a) Within a 50-mile radius of own premises at West Melbourne—own goods. (b) Throughout the State of Victoria for the purpose of Sales Promotion—display materials, tools of trade and equipment incidental thereto and samples of own goods.

COOPER, G. C., 34 George-street, Lorne. One commercial goods vehicle (145 cwt.) to operate from and to the City of Melbourne, or from and to the City of Geelong, to and from places situate between the City of Geelong and the Township of Lorne, provided no goods whatsoever are carried from and to the City of Melbourne, to and from the City of Geelong, or to and from any place en route between the said Cities of Melbourne and Geelong—general goods.

COWELL, W. A. & A. A., 12 Anderson-street, Bairnsdale. Application to vary the conditions of licence Nos. T.T.D.170, T.T.D.170/1 and T.T.D.170/2 by deleting existing conditions and adding in lieu: 1. Logs, from forest landings within a 40-mile radius of Swift's Creek to Ezard's Sawmill at Swift's Creek. 2. From Ezard's sawmill at Swift's Creek to Bruthen Railway Station—kiln dried dressed timber products and sawn timber. 3. From Ezard's Sawmill at Swift's Creek to consignees at Bairnsdale, Orbost and Sale—kiln dried dressed timber products and sawn timber. 4. From Ezard's Sawmill at East Bairnsdale to Bairnsdale Railway Station—sawn timber. 5. Between Sale, Bairnsdale and Ezard's Sawmill at Swift's Creek—sawmilling equipment other than petroleum products and building materials.

COX, B. A. & R. C., 8 Brenden-street, Moe. Two commercial goods vehicles (150 cwt. and 160 cwt.) to operate from forest landings in the Licola area to the A.P.M., Maryvale—pulpwood.

DALGETY & NEW ZEALAND LOAN LTD., Box 123, Geelong. One commercial goods vehicle (7 cwt. and trailer 15 cwt.) to operate within a 50-mile radius of own branch premises at Balmoral, in the course of business as "Stock & Station Agents"—own goods.

FISHER'S (KORUMBURRA) PTY. LTD., 33 Bridge-street, Korumburra. Application to vary the conditions of licence No. D.A.8754 (L/C. 260 cwt.) by deleting from the existing conditions paragraphs (b) and (d), and by deleting from paragraph (c) "Gould, Neerim South and Glengarry" and adding in lieu as additional paragraphs: "(1) From S.E.C. at Morwell and Yalourn to own yard at Korumburra—bagged briquettes. (2) From forestry landings in the Mirboo North area to Hicksons Treatment Works at Officer, and Saxtons Treatment Works at Brooklyn—poles."

PETROVICH, U. & J. H. MUNYARD (trading as Gurdies Sand & Transport Co.), 146 Mountain-crescent, Springvale. Two commercial goods vehicles (136 cwt. and 139 cwt.) to operate: (a) From sand pits within a 35-mile radius from any one of the premises of Bayview Quarries Pty. Ltd. at Narree Warren, Berwick, Clayton, Springvale, Montrose, St. Helena, North Melbourne, Tullamarine, Lysterfield, Dandenong or Bulla, to such premises only—sand on behalf of Bayview Quarries Pty. Ltd. (b) From any one of the premises as defined in paragraph (a) above to consignees situated within a 35-mile radius thereof—screenings, stone-dust, sand, hot asphalt, and pre-mix on behalf of Bayview Quarries Pty. Ltd. (c) Within a 35-mile radius from any one of the premises as defined in paragraph (a) above—road-making plant and equipment on behalf of Bayview Quarries Pty. Ltd.

- HARDING, L. W., 10 Swan-street, North Bendigo. One commercial goods vehicle (104 cwt.) to operate: (a) Within a 50-mile radius of post office at Bendigo as a "Road Contractor"—road-making plant and materials. (b) Within a 25-mile radius of post office at Bendigo—general goods.
- HATTON, R. M., Geelong-road, Port Arlington. One commercial goods vehicle (10 cwt.) to operate within a 100-mile radius of Portarlington in the course of business as "Motor and Refrigeration Mechanic" for the purpose of installing, servicing and maintaining refrigeration equipment—tools of trade, spare parts and materials incidental to the servicing and maintenance of motor vehicles and refrigeration equipment.
- HESSE BROS. ELECTRICAL SALES PTY. LTD., 239-243 Lyttleton-terrace, Bendigo. One commercial goods vehicle (5 cwt.) to operate within a 100-mile radius of the chief post office in the City of Bendigo, but excluding any operations to or from the City of Melbourne in the course of business as "Electrical Retailer"—uncrated refrigerators, uncrated washing machines, uncrated television sets, television aerials and electrical appliances for specialized installation, for repair or having been repaired, tools of trade, spare parts and materials incidental to the installation, servicing and maintenance of such appliances and equipment.
- HICKMAN, R. F. & M. L., Lockwood. One commercial goods vehicle (100 cwt.) to operate: (a) Within a 95-mile radius of post office at Cohuna and/or a 100-mile radius of post office at Merbein (Bendigo Division of C.R.B.) as a "Road Contractor". (b) Within a 20-mile radius of post office at Lockwood—general goods.
- HILLGROVE, A. D., Post Office, Box 27, Birchip. One commercial goods vehicle (19 cwt.) to operate throughout the State of Victoria in the course of business as "Earth-moving Contractor" for the purpose of servicing and maintaining earth-moving equipment—tools of trade, spare parts and materials incidental thereto.
- HILLSTAN FROZEN FOODS PTY. LTD., 309 Whitehorse-road, Nunawading. Two commercial goods vehicle (48 cwt.) to operate throughout the State of Victoria in course of business as "Frozen Food Distributors" in specially constructed insulated vehicle—frozen vegetables, frozen fish, frozen poultry, frozen food and up to 2 cwt. of margarine.
- ROBERT HUTCHINSON LTD., Hartington-street, Glenroy. One commercial goods vehicle (125 cwt.) to operate within a 50-mile radius of own premises at Glenroy in specially constructed dump truck in course of business as "Flour Millers and Stockfeed Manufacturers"—own goods.
- HOLT, J. B. & E. F., 2 Gay-street, Lorne. One commercial goods vehicle (207 cwt.) to operate from and to the City of Melbourne, or from and to the City of Geelong, to and from places situate between the City of Geelong and the Township of Lorne, provided no goods whatsoever are carried from and to the City of Melbourne, to and from the City of Geelong, or to and from any places *en route* between the said Cities of Melbourne and Geelong—general goods.
- JONES, D. W., PTY. LTD., 126 Cecil-street, Williamstown. Application to vary the conditions of licence Nos. D.A.1392, D.A.1392/1, D.A.1392/2, D.A.1392/3, D.A.1392/4, D.A.1392/5, D.A.1392/6, D.A.1392/7, D.A.1392/8, D.A.1392/9, D.A.1392/10, D.A.1392/11, D.A.1392/12, D.A.1392/13, D.A.1392/14, D.A.1392/15, D.A.1392/16, D.A.1392/17 (L/C. 114, 114, 110, 110, 115, 110, 109, 112, 112, 111, 114, 112, 114, 111, 246, 146, 147 and 109 cwt.) by adding to the existing conditions in paragraph (b) "and bulk storage tanks".
- LEWIS, W. J., Watton-street, Peshurst. One commercial goods vehicle (140 cwt.) to operate: (a) Within a 75-mile radius of post office at Peshurst (Warnambool Division of C.R.B.) as a "Road Contractor"—road-making plant and materials. (b) Within a 20-mile radius of post office at Peshurst—general goods.
- LITTLE, W., 20 Coghill-street, Yarrowonga. One commercial goods vehicle (93 cwt.) to operate: (a) Within a 90-mile radius of post office at Wangaratta (Benalla Division of C.R.B.) as a "Road Contractor"—road-making plant and materials. (b) Within a 20-mile radius of post office at Yarrowonga—general goods.
- LURAY PTY. LTD., 10 Breese-street, Brunswick. One commercial goods vehicle (10 cwt.) to operate throughout the State of Victoria in course of business as "Specialized Flooring and Lining Contractors"—for the purpose of supervising own contracts at industrial plants—tools of trade, and small quantity of materials incidental to the repair or completion of a contract.
- LYLE, GEO. E., PTY. LTD., 15 Phillips-street, Warracknabeal. One commercial goods vehicle (113 cwt.) to operate: (a) Within a 20-mile radius of post office at Warracknabeal—general goods. (b) Within a 50-mile radius of the A-B class depot of Amoco (Aust.) Pty. Ltd. at Warracknabeal—petroleum products in prescribed types of containers and empty return containers solely on behalf of the said company.
- MEMBREY, B. R. & L. J., 1 Garden-grove, Traralgon. One commercial goods vehicle (144 cwt.) to operate within a 25-mile radius of the A.P.M. at Maryvale to the A.P.M. at Maryvale—pulpwood.
- MITCHELL, V. & W. (Trading as Star Service Station), Bridge-road, Rochester. One commercial goods vehicle (220 cwt.) to operate: (a) Within a 95-mile radius of post office at Cohuna and/or 100-mile radius of post office at Merbein (Bendigo Division of C.R.B.) as a "Road Contractor"—road-making plant and materials. (b) Within a 20-mile radius of post office at Rochester—general goods.
- MORRIS, K. J., Cosmo-road, Trentham. One commercial goods vehicle (approximately 200 cwt.) to operate from forestry allocations within a 20-mile radius of Trentham to the "C.S.R." Timbrock Mill at Bacchus Marsh—pulpwood.
- MCCARTHY, T., 232 Rae-street, North Fitzroy. One commercial goods vehicle (96 cwt.) to operate: (a) Within a 25-mile radius of the G.P.O., Melbourne—general goods. (b) Within a 70-mile radius of the premises of Hoffman Brick and Potteries Pty. Ltd. at Brunswick—bricks solely on behalf of the said company.
- MCDONALD, J. R., Yeodene. One commercial goods vehicle (340 cwt.) low-loader to operate within a 50-mile radius of the post office at Yeodene in the course of business at an "Earth Removing Contractor"—own plant and equipment.
- NATIONAL TYRE SERVICE (BENDIGO) PTY. LTD., Post Office, Box 312, Bendigo. One commercial goods vehicle (11 cwt.) to operate in the course of business as "Tire Retreaders and Distributors of Motor Car Accessories"—(a) Within a 50-mile radius of the chief post office in the City of Bendigo—tires, tubes, batteries, petrol, oil, greases and polythene piping. (b) Within the area bounded by the Townships of Tatura, Heathcote, Woodend, Maryborough, Donald, Wycheproof, Murrabit, Echuca and Wyuna—(i) Truck and tractor tires for recapping or retreading or having been recapped or retreaded; (ii) polythene piping.

SPECIAL CONDITION.

It is also a condition of this licence that the aforesaid commodities collected in the area as defined in paragraph (b) part (i) above, for consignment to the City of Bendigo must be forwarded by rail from the nearest or most convenient railway siding and when returning to the City of Bendigo one payload of tires may be carried.

PETERSVILLE AUSTRALIA LTD., Wellington-road, Clayton. One commercial goods vehicle (232 cwt.) to operate throughout the State of Victoria as a specially constructed insulated and refrigerated van for the purpose of supplying own distributors with ice-cream and frozen foods at a temperature not exceeding 10° F.

POCHON, R. P. & E. M., 17 Francis-street, Bairnsdale. One commercial goods vehicle (7 cwt.) to operate in course of business as "Representative for Wm. Haughton and Co. Ltd." between Melbourne and the area situated in that part of Victoria east of a north/south line drawn through Pakenham and south of an east/west line drawn through Euroa—samples of fencing materials, weedicides, insecticides, hormones, spray equipment and general farm requisites for exhibition to prospective purchasers with ability to leave a sample for delivery of urgently required weedicides, insecticides, hormones and spray equipment.

RATHGEBER, A. R., J., W. G. & P. (trading as A. R. Rathgeber & Sons), Hodges-street, Stawell. One commercial goods vehicle (15 cwt.) to operate within a 100-mile radius of own premises at Stawell in the course of business as "Fibrous Plaster Manufacturers"—own fibrous plaster sheets and mouldings, tools of trade, fixing materials and small quantities of building materials incidental to the repair or completion of own contracts.

REES, E. T. & P. L., High-street, Cranbourne. One commercial goods vehicle (130 cwt.) to operate: (a) Within a 50-mile radius of post office at Cranbourne as a "Road Contractor"—road-making plant and materials. (b) Within a 20-mile radius of post office at Cranbourne—general goods.

- SARVILAHTI, T., 4 Russell-street, Bendigo. One commercial goods vehicle (12 cwt.) to operate within a 100-mile radius of Bendigo in the course of trade as "Joiner"—tools of trade and associated equipment. SPECIAL CONDITION.—It is a special condition of this licence that no goods whatsoever be carried to or from the metropolitan area of Melbourne.
- SINGER AUSTRALIA PTY. LTD., 262 Campbell-street, Swan Hill. One commercial goods vehicle (17 cwt.) to operate within an area bounded by the Towns of Boundary Bend, Murrayville, Ouyen, Hopetoun, Wycheproof, Kerang, and towns *en route*—tools of trade, spare parts for installation and servicing of sewing machines and other electrical requirements, also second-hand traded in appliances for return to Swan Hill.
- SINGH, P. L., 49 Hume-street, Yarrowonga. One commercial goods vehicle (221 cwt.) to operate: (a) Within a 90-mile radius of post office at Wangaratta (Benalla Division of C.R.B.) as a "Road Contractor"—road-making plant and materials. (b) Within a 20-mile radius of post office at Yarrowonga—general goods.
- STONE, A., 7 Edith-street, North Caulfield. One commercial goods vehicle (14 cwt.) to operate throughout the State of Victoria in the course of business as "Hawker" but excluding operations to retail stores—own drapery.
- TRETTLE, A., 44 Kent-street, Ascot Vale. One commercial goods vehicle (185 cwt.) to operate within a 50-mile radius of the premises of Pronto Mixed Concrete Pty. Ltd., at Ringwood, in a specially constructed agitator vehicle—premixed concrete solely on behalf of the said company.
- VELLA, R., 58 Miranda-road, Reservoir. Application to vary the conditions of licence No. D.A.41942 (L/C. 138 cwt.) by deleting paragraph (b) of the existing conditions and adding in lieu—"To operate within a 50-mile radius of the premises of Albion Quarrying Co. Pty. Ltd., at North Melbourne—road-making plant, hot asphalt, premix and road-making materials solely on behalf of the said company but excluding the carriage of materials from Geelong."
- VICTORIAN LIME SPREADERS PTY. LTD., 422 Collins-street, Melbourne. Application to vary the conditions of licence Nos. D.A.23863, D.A.23863/2, D.A.23863/3, D.A.23863/5 (L/C. 167, 183, 91 and 103 cwt.) by deleting the existing conditions and adding in lieu—"Throughout the State of Victoria for the purpose of spreading bulk lime and fertilizer with the proviso that all lime and fertilizer so carried shall have been initially consigned by rail to the station nearest or most convenient to the current contract site."
- VICTORIAN OATGROWERS POOL & MARKETING CO. LTD., MELBOURNE, 528 Lonsdale-street, Melbourne. One commercial goods vehicle (7 cwt.) to operate throughout the State of Victoria for the purpose of servicing bulk oat handling equipment—tools of trade and spare parts incidental thereto, also samples of grain for inspection.
- WAUGH, V. A. & J. E., 9 Douro-street, North Geelong. One commercial goods vehicle (18 cwt. and trailer 60 cwt.) to operate throughout the State of Victoria in the course of business as a "Motor Wrecker" with specially constructed car-carrying trailer—second-hand and wrecked vehicles, second-hand car parts.
- WRIGHT, J. M., Tandaroo Wayside, via Camperdown. One commercial goods vehicle (240 cwt.) to operate: (a) Within a 20-mile radius of Tandaroo—general goods. (b) Within a 50-mile radius of Tandaroo in course of business as "Primary Producer"—own goods.
- YOUNGER, R. N., Hansonville, via Glenrowan. Two commercial goods vehicles (132 and 101 cwt.) to operate: (a) Within a 50-mile radius of post office at Hansonville as a "Road Contractor"—road-making plant and materials. (b) Within a 20-mile radius of post office at Hansonville—general goods.
- ZAMMIT, E., 6 Leonard-avenue, St. Albans. One commercial goods vehicle (127 cwt.) to operate within a 50-mile radius of the premises of Albion Quarrying Co. Pty. Ltd., at North Melbourne, excluding operations from Geelong—hot asphalt, premix, road-making plant and materials.
- BENNETT, S. C. & M. (trading as S. C. Bennett & Son), 103 High-street, Geelong; D.A.18510/1; 5th December, 1964; 30 cwt.
- BURCOMBE, H. T., Post Office, Wangaratta; D.A.762; 12th December, 1964; 93 cwt.
- BUTCHER, W. A., 2 Prince-street, Moorabbin; D.A.40946; 14th November, 1964; 7 cwt.
- GLADMAN, G. J., Serpentine; D.A.1154; 16th December, 1964; 134 cwt.
- GRACE, W. M., 4 Davies-street, Charlton; D.A.27818; 17th December, 1964; 138 cwt.
- CHARLES HEATH & SONS PTY. LTD., 159 Dorcas-street, South Melbourne; D.A.1280/3; 12th December, 1964; 100 cwt.
- CHARLES HEATH & SONS PTY. LTD., 159 Dorcas-street, South Melbourne; D.A.1280; 8th September, 1964; 8 cwt.
- HESSE BROS. ELECTRICAL SALES PTY. LTD., 239-243 Lyttleton-terrace, Bendigo; D.A.41578/2; 5th December, 1964; 8 cwt.
- HESSE BROS. ELECTRICAL SERVICE PTY. LTD., 239-243 Lyttleton-terrace, Bendigo; D.A.37007/1; 5th December, 1964; 10 cwt.; D.A.37007/2; 5th December, 1964; 8 cwt.
- INGPEN, T. A., PTY. LTD., 77 Little Malop-street, Geelong; D.A.41093; 5th December, 1964; 11 cwt.; D.A.41093/1; 5th December, 1964; 17 cwt.
- LONG, J. & W., BROS PTY. LTD., 2 Spengley-street, Clifton Hill; D.A.29337/3; 5th December, 1964; 10 cwt.
- MANGER & O'NEILL PTY. LTD., Annesley-street, Echuca; D.A.1550/5; 5th December, 1964; 137 cwt.
- McMULLEN, A. H., & Co. PTY. LTD., Tyndal-street, Orbost; D.A.28613/2; 21st December, 1964; 75 cwt.; D.A.28613/3; 21st December, 1964; 134 cwt.
- NAPIER, H. A., 57 Mullum-road, Ringwood; T.D.A.39061; 21st December, 1964; 23 cwt.
- NELSON, R. F., Cobrico; D.A.1712; 20th December, 1964; 82 cwt.
- REYNOLDS, A. A., Cressy; D.A.1909/5; 5th December, 1964; 15 cwt.
- ROGERSON, R. D., Derrinallum; D.A.1946; 23rd December, 1964; 135 cwt.
- THOMPSON, W. J., The Esplanade, St. Leonards; D.A.2155; 21st December, 1964; 118 cwt.
- WEAVER, R. E., 1 Coronal-avenue, Herne Hill; D.A.36207/6; 20th December, 1964; 248 cwt.
- WEBB, FRED. PTY. LTD., 197 Graham-street, Wonthaggi; D.A.5014/2; 20th December, 1964; 8 cwt.

TOW TRUCKS.

- BURNSIDE & McCLURE PTY. LTD., 510-512 Moorabool-street, South Geelong; T.D.A.767/1; 10th December, 1964; 26 cwt.
- JENKINS, G. C. & C. I. (trading as Jenkins Garage), Bridgewater; T.D.A.37703; 7th December, 1964; 33 cwt.
- KASE, K. H., Queen-street, Rosedale; D.A.41169; 5th December, 1964; 58 cwt.
- MASON, C. F., & SON PTY. LTD., Commercial-road, Yarram; T.D.A.38061; 21st December, 1964; 15 cwt.
- NALDER, J. C., P. M., W. G. & I. J. (trading as Nalder's Garage), 2-4 Patrick-street, Stawell; D.A.27941; 17th December, 1964; 55 cwt.
- O'BRIEN, R. F. & B. E. (trading as Port Campbell Motors), Lord-street, Port Campbell; D.A.41219; 5th December, 1964; 40 cwt.

APPLICATIONS by persons listed hereunder for renewal of the licences listed with variation of conditions in the manner set opposite the names.

- HINE, L. J., Box 12, R.S.D., Bacchus Marsh; D.A.1303/2; 13th December, 1964; 80 cwt.; with variation by adding to paragraph (b) of the existing conditions "and to the City of Ballarat".
- McKENZIE, E. T., 95 Marley-street, Sale; D.A.37601; 14th December, 1964; 135 cwt.; with variation by deleting from paragraph (a) of the existing conditions "Within the Shires of Narracan, Morwell, Rosedale, Traralgon and Moe and within an 85-mile radius of post office at Orbost" and adding in lieu "Within a 70-mile radius of post office at Yarram (Traralgon Division of C.R.B.) and within an 85-mile radius of post office at Orbost (Bairnsdale Division of C.R.B.)".

TIMBER RENEWALS.

- BANTICK BROS. PTY. LTD., Marysville; T.T.D.116/5; 30th January, 1965; 261 cwt.
- BEVERIDGE, CHRISTOPHER G. & MARY T. (trading as C. G. & M. T. Beveridge), 29 Barnes-street, Stawell; T.T.D.622; 8th January, 1965; 267 cwt.

APPLICATION for renewal of licence as shown, by persons listed hereunder to operate under the same terms and conditions from the date of expiry shown in each case.

- BARDWELL, F. E.; 43 Moran-street, Bendigo; D.A.32658/1; 17th October, 1964; 8 cwt.
- BEER, A. I., Post Office, Strathmerton; D.A.27931; 17th December, 1964; 122 cwt.

BILLS, ALAN, Day-street, Bairnsdale; T.T.D.131; 21st January, 1965.
 CUNLIFFE, J. L., Noojee; T.T.D.666/1; 14th January, 1965; 372 cwt.
 DUNSTAN, A., P. A., W. J. & L. F. (trading as A. Dunstan & Sons), 1-7 Tallangatta-road, Wodonga; T.T.D.185/4; 8th January, 1965; 193 cwt.
 GRIFFITHS, W. L., Stanley; T.T.D.790; 20th January, 1965.
 HOLDEN, F. E., C/o Post Office, Jamieson-road, Mansfield; T.T.D.616; 8th January, 1965; 271 cwt.
 JACKSON, R., & SONS PTY. LTD., A'Beckett-street, Yea; T.T.D.248/2; 16th January, 1965; 240 cwt.
 LANCASTER, E. H., Combenbar; T.T.D.575; 16th January, 1965; 219 cwt.
 MILNER, H., Straiford; T.T.D.278; 21st January, 1965; 183 cwt.
 MUMFORD, A. G., 281 Huntingdale-road, Huntingdale; T.T.D.430; 16th January, 1965; 112 cwt.
 MCCULLAGH, G. J. I. & A. E. (trading as McCullagh Bros.), Merrivale, via Warnambool; T.T.D.288/1; 16th January, 1965; 227 and 267 cwt.
 MCDIARMID, G. W. & G. D., 14 McFarlane-street, Heyfield; T.T.D.609; 22nd January, 1965; 264 cwt.
 McDONALD, W. D., Morgan-street, Bairnsdale West; T.T.D.292; 21st January, 1965.
 NEVILL, J. L., Main-road, Hepburn Springs; T.T.D.446/6; 27th January, 1965; 145 cwt.
 NORTON, R. L., Unitt-street, Melton; T.T.D.543; 16th January, 1965; 173 cwt.
 NUNN, M. G., Maffra-road, Heyfield; T.T.D.304; 31st January, 1965; 250 cwt. approximately.
 OLIVER, J. L., Box 6, Mansfield; T.T.D.418; 16th January, 1965.
 PETERSON, J. A. & G. A., Esplanade, Lakes Entrance; T.T.D.314/1; 29th January, 1965.
 TRICKEY, L., 2 Frances-avenue, Maryborough; T.T.D.373; 28th January, 1965; 272 cwt.
 WILSON, K. D., Jephcott-avenue, Corryong; T.T.D.794; 27th January, 1965; 220 cwt. approximately.
 YOUNG, L., Heathcote Junction; T.T.D.405/1; 16th January, 1965; 122 cwt.

Notice of any objection should be forwarded to reach the Secretary of the Board not later than 28th October, 1964.

Applicants are advised that it will not be necessary to appear on the hearing date specified above, unless advised, in writing, by the Board.

B. P. KAY,
Secretary.

Exhibition Buildings, Rathdown-street, Carlton, N.3,
Wednesday, 14th October, 1964.

PUBLIC TRUSTEE ACT 1958 (No. 6350).—SECTION 17.

I HEREBY give notice that on the 21st August, 1964, the Public Trustee filed an election to administer the following deceased person's estate, in accordance with section 17 of the *Public Trustee Act 1958*:—

WILLIAMSON, MAY, formerly of 253 Albion-street, West Brunswick, but late of 446 Albion-street, West Brunswick, married woman, died 23rd April, 1964.

I HEREBY give notice that on the 22nd September, 1964, the Public Trustee filed elections to administer the following deceased persons' estates, in accordance with section 17 of the *Public Trustee Act 1958*:—

COOMBE, ELIZA, late of 4 Belson-street, East Malvern, widow, died 10th April, 1961.

DANIELL, ROBERT FREDERICK, late of Mount Royal, Royal Park, pensioner, died 6th July, 1941.

DAVIDSON, KATHLEEN, also known as Kathleen Allen, late of Flat 1, 12 Bell-street, Fitzroy, cleaner, died on the 25th or the 26th June, 1964.

FREHSE, FREDERICK, late of "White Lodge", Lancefield-road, Woodend, caretaker, died 23rd July, 1964.

GENCHEFF, PAULE, late of 18 Lanark-street, Brunswick East, cleaner, died 25th February, 1964.

GILBERT, MARY LOUISA, formerly of 8 Hope-street, Richmond, but late of 48 Harrow-street, East Preston, widow, died 9th July, 1964.

HALE, SYLVIA ELEANOR, late of Hereford-road, Mt. Evelyn, spinster, died 4th July, 1964.

HILDEBRAND, GUSTAV ADOLF, in the will called Gustav Adolf Hilderbrand, late of Gresswell Sanatorium, Mont Park, retired dyer, died 11th April, 1964.

REED, THOMAS, formerly of 556 Drummond-street, North Carlton, but late of 176 Lee-street, North Carlton, pensioner, died 25th July, 1964.

STUBBS, JOHN, late of Bundoora, retired upholsterer, died 9th July, 1964.

THOMAS, FLORENCE, late of 12 Seymour-street, Preston, cook, died 8th July, 1964.

I HEREBY give notice that on the 25th September, 1964, the Public Trustee filed elections to administer the following deceased persons' estates, in accordance with section 17 of the *Public Trustee Act 1958*:—

MARTELL, EVELINE TERESA, also known as Evelyn Theresa Martell, late of Dundas-street, Rye, widow, died 18th July, 1964.

MILLIGAN, JAMES JOHN, late of 207 Dryburgh-street, North Melbourne, pensioner, died 16th July, 1964.

A. D. DUNCAN,
Public Trustee.

256 Flinders-street, Melbourne, 7th October, 1964.

NOTICE.

CREDITORS, next of kin and others having claims against the estate of any of the under-mentioned deceased persons are required to send particulars of their claims to the Public Trustee, 256 Flinders-street, Melbourne, the personal representative; on or before the 15th December, 1964, after which date the Public Trustee may convey or distribute the assets, having regard only to the claims of which the Public Trustee then has notice:—

BLANEY, ELLIN MARGARET, late of 8 Godfrey-street, Bentleigh, widow, died 16th April, 1964.

COOMBE, ELIZA, late of 4 Belson-street, East Malvern, widow, died 10th April, 1961.

CULLEN, SARAH KATE, late of 5 Florence-road, Surrey Hills, spinster, died 8th June, 1964.

DANIELL, ROBERT FREDERICK, late of Mount Royal, Royal Park, pensioner, died 6th July, 1941.

DAVIDSON, KATHLEEN, also known as Kathleen Allen, late of Flat 1, 12 Bell-street, Fitzroy, cleaner, died on the 25th or the 26th June, 1964.

FREHSE, FREDERICK, late of "White Lodge", Lancefield-road, Woodend, caretaker, died 23rd July, 1964.

GENCHEFF, PAULE, late of 18 Lanark-street, Brunswick East, cleaner, died 25th February, 1964.

GILBERT, MARY LOUISA, formerly of 8 Hope-street, Richmond, but late of 48 Harrow-street, East Preston, widow, died 9th July, 1964.

HALE, SYLVIA ELEANOR, late of Hereford-road, Mt. Evelyn, spinster, died 4th July, 1964.

HILDEBRAND, GUSTAV ADOLF, in the will called Gustav Adolf Hilderbrand, late of Gresswell Sanatorium, Mont Park, retired dyer, died 11th April, 1964.

HOLDEN, MYRA FANNY, formerly of Princes-street, St. Kilda, and Towerhill and Hastings roads, Frankston, but late of Mont Park, widow, died 23rd July, 1963.

MARTELL, EVELINE TERESA, also known as Evelyn Theresa Martell, late of Dundas-street, Rye, widow, died 18th July, 1964.

MILLIGAN, JAMES JOHN, late of 207 Dryburgh-street, North Melbourne, pensioner, died 16th July, 1964.

REED, THOMAS, formerly of 556 Drummond-street, North Carlton, but late of 176 Lee-street, North Carlton, pensioner, died 25th July, 1964.

STUBBS, JOHN, late of Bundoora, retired upholsterer, died 9th July, 1964.

THOMAS, FLORENCE, late of 12 Seymour-street, Preston, cook, died 8th July, 1964.

WILLIAMSON, MAY, formerly of 253 Albion-street, West Brunswick, but late of 446 Albion-street, West Brunswick, married woman, died 23rd April, 1964.

WRIGHT, ELLEN MAY, late of 26 Wood-street, Nunawading, married woman, died 23rd October, 1963.

A. D. DUNCAN,
Public Trustee.

Melbourne, 7th October, 1964.

LOCAL GOVERNMENT DEPARTMENT.

NOTICE OF APPROVAL OF AGREEMENT TO FORM THE SOUTH GIPPSLAND VALUATION GROUP.

IN pursuance of the provisions of section 254 (IAD) of the *Local Government Act 1958*, as amended, the Governor in Council on the 6th day of October, 1964, approved an agreement made on the 6th April, 1964, between the Presidents, Councillors and Ratepayers of the Shires of Alberton, Korumburra, Mirboo, South Gippsland and Woorayl to form a valuation group, to be known as the South Gippsland Valuation Group, to make valuations under Part IX. of the said Act for the municipalities which are members of the group.

J. COLQUHOUN,
Clerk of the Executive Council.

HOSPITALS AND CHARITIES ACT 1958 (No. 6274).

IT is hereby notified for general information that the Hospitals and Charities Commission has, under the provisions of section 50 of the above-mentioned Act, approved of the corporate name of The Foundling Hospital and Infants' Home (Incorporated) being changed to—

BERRY-STREET BABIES' HOME AND HOSPITAL.

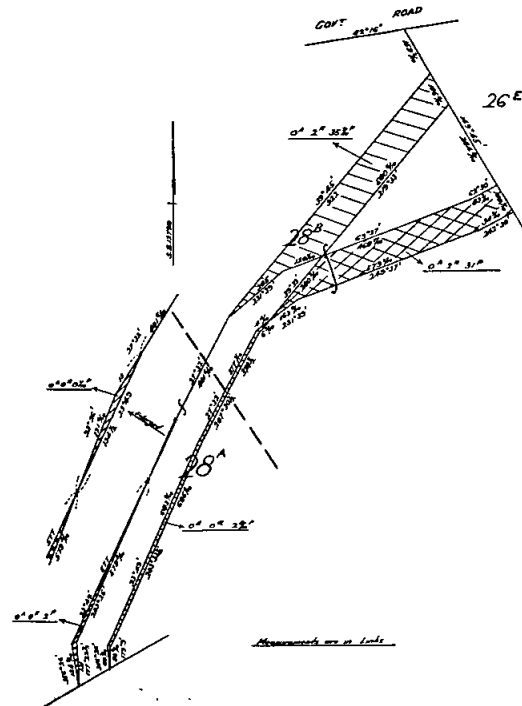
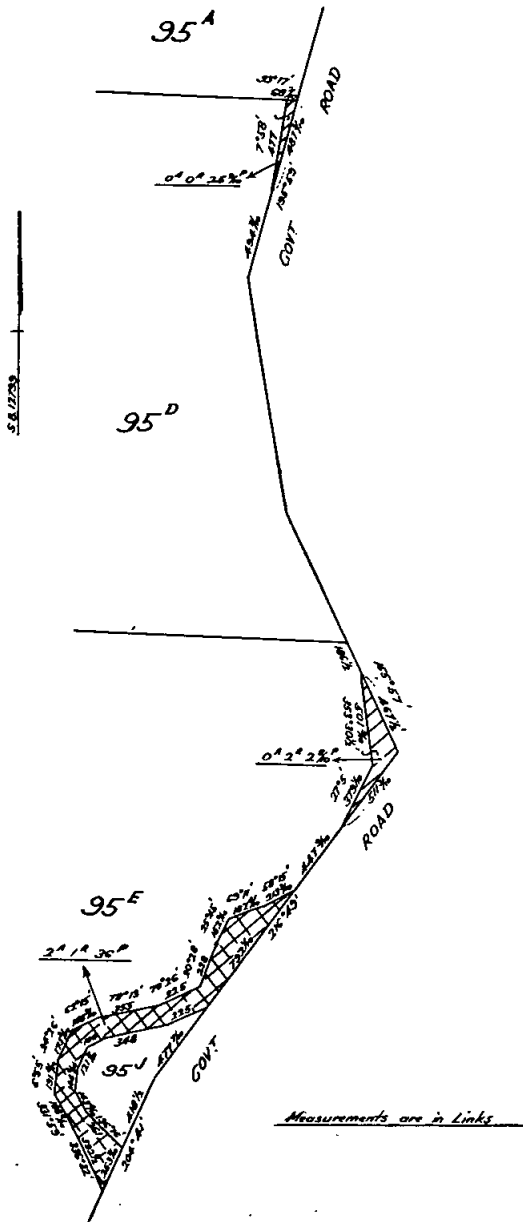
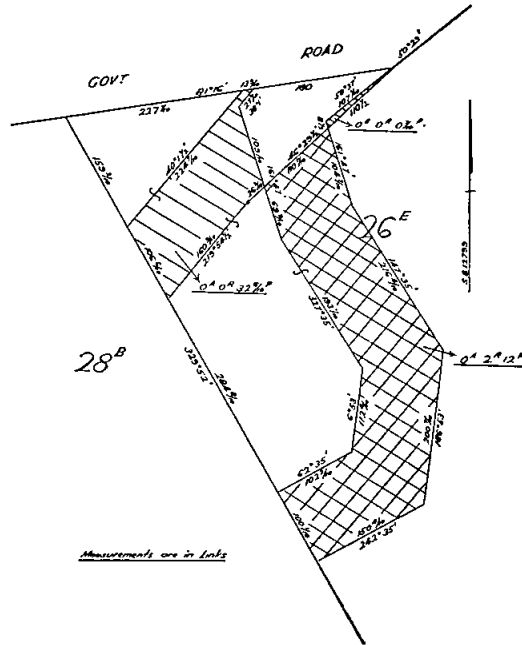
Dated at Melbourne this fifth day of October, 1964.

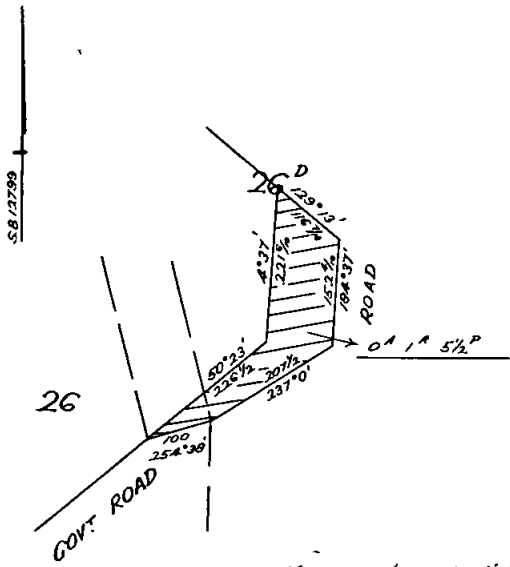
JOHN LINDELL, Chairman.

SHIRE OF SOUTH GIPPSLAND.

ROAD DEVIATION ORDER.

PURSUANT to the provisions of sections 522 and 526 of the Local Government Act 1958, the Council of the Shire of South Gippsland hereby directs that the land in the Parish of Doomburrim indicated by hatching on the plans hereunder, which has been purchased, taken or acquired by it, shall be a public highway on and from the date of publication of this Order in the Government Gazette and declares that such land shall be a public highway in lieu of the land indicated by cross-hatching on the said plans.





Measurements are in Links

The common seal of the President, Councillors and Ratepayers of the Shire of South Gippsland was hereto affixed this sixteenth day of April, 1964.

(SEAL) T. R. MORRIS, President.
F. L. HOBSON, Councillor.
J. RENNICK, Shire Secretary.

Approved by the Governor in Council, 6th October, 1964.
—J. COLQUHOUN, Clerk of the Executive Council.

Filled Milk Act 1958.

NOTICE.

I, VANCE OAKLEY DICKIE, Acting Minister of Agriculture, hereby give notice that I have specified as a product exempted from the operation of the Filled Milk Act 1958 (No. 6468) the product known as "Enfamil Concentrated Liquid", the composition of which is as follows:—

Constituents—

Skim milk; lactose; oleo, corn and coconut oils; soy lecithin; carrageenin (emulsifying agent); vitamins and minerals.

Approximate Analysis:

	Per Cent. W/V.
Protein	3
Fat	7
Lactose	14
Other carbohydrates	Nil
Ash	0.68
Calcium	0.13
Phosphorus	0.10
Iron	0.0003
Crude Fibre	Nil

Vitamin and mineral content:

Each 32 fl. oz. of Enfamil formula, normal dilution (one part of Enfamil Concentrated Liquid to one part of water) supplies the following vitamins and minerals:

Vitamin A	1,500 units*
Vitamin D	400 units*
Ascorbic Acid (C)	50 mg.
Vitamin E	5 units†
Thiamine (B1)	0.4 mg.
Riboflavin (B2)	1 mg.
Niacinamide	4 mg.
Pyridoxine (B6)	0.3 mg.
Pantothenic acid	2 mg.
Vitamin B12	1 mcg.
Inositol	300 mg.
Choline	85 mg.
Iron	1.4 mg.
Copper	0.4 mg.
Iodine	65 mcg.
Calcium	615 mg.
Phosphorus	472 mg.

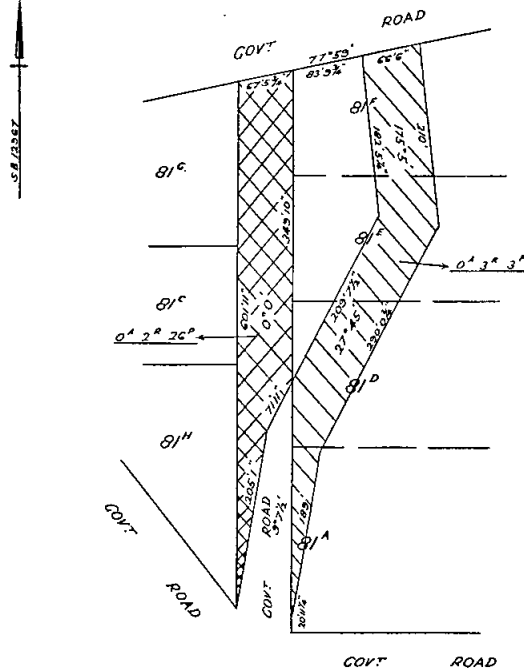
* U.S.P. † International.

V. O. DICKIE,
Acting Minister of Agriculture.

CITY OF SHEPPARTON.

ROAD DEVIATION ORDER.

PURSUANT to the provisions of sections 522 and 526 of the Local Government Act 1958, the Council of the City of Shepparton hereby directs that the land in the Parish of Shepparton indicated by hatching on the plan hereunder which has been purchased, taken or acquired by it, shall be a public highway on and from the date of the publication of this Order in the Government Gazette, and declares that such land shall be a public highway in lieu of the land indicated by cross-hatching on the said plan.



THE MEASUREMENTS ARE IN Feet & inches

In witness whereof the common seal of the Mayor, Councillors and Citizens of the City of Shepparton was hereto affixed this twenty-first day of August, 1964, in the presence of—

(SEAL) J. C. STEWART, Mayor.
V. P. GRIBBLE, Councillor.
R. D. O'BRIEN, Town Clerk.

Approved by the Governor in Council, 6th October, 1964.
—J. COLQUHOUN, Clerk of the Executive Council.

Drainage Areas Act 1958.

SPECIAL MAINTENANCE CHARGE MADE BY THE COUNCIL OF THE SHIRE OF MINHAMITE IN RESPECT OF THE MOYNE DRAINAGE AREA.

NOTICE is hereby given that, on the 6th day of October, 1964, in pursuance of the provisions of section 36 of the Drainage Areas Act 1958, the Governor in Council approved of the estimate of the cost of proposed maintenance works in the Moyne Drainage Area submitted by the Minhamite Shire Council, and the making by the Council of a Special Maintenance charge on properties within the said drainage area for the year ending 30th September, 1964.

J. COLQUHOUN,
Clerk of the Executive Council.

COMPANIES ACT 1961.

NOTICE is hereby given that, in pursuance of section 308 (5) of the Companies Act 1961, the names of the companies referred to below have been struck off the Register, and on publication of this notice in the Government Gazette the said companies will be dissolved. Dated this 7th day of October, 1964.

B. MITCHAM,
Assistant Registrar of Companies.

Companies Registration Office,
Melbourne.

COMPANIES ABOVE REFERRED TO.

Name of Company.	Number of Registration.
Great Western Mineral Prospecting Association of Tasmania No Liability ..	M7028
New Caxton Quartz and Alluvial Gold Mining Company No Liability ..	M7029
Dalcoath Tin Mining Company No Liability ..	M7030
North Dalcoath Tin Mining Company No Liability ..	M7031
Columbia Gold Mining Company No Liability ..	M7032
Duchess of Cornwall Gold Mining Company No Liability ..	M7033
Royal Duke Company No Liability ..	M7034
Chance Reef Gold Mining Company No Liability ..	M7035
Australian Metals Treatment Company No Liability ..	M7036
Duke of York North Gold Mining Company No Liability ..	M7037
Hibernia Gold Mining Company No Liability ..	M7038
Western Nine Mile Gold Mining Company No Liability ..	M7039
The Franklin River Hydraulic Sluicing Company No Liability ..	M7040
Broken Hill Junction North Mining Company No Liability ..	M7041
Ophir Gold Mining Company No Liability ..	M7042
The Wandiligong Tailings Company No Liability ..	M7043
Yeo's North Concord Company No Liability ..	M7044
Associated Mines Proprietary No Liability ..	M7045
North Sailor's Falls Mining Company No Liability ..	M7046
Duke of Wellington Gold Mining Company No Liability ..	M7047
Exhibition and Lisle Gold Mining Company No Liability ..	M7048
Diamond Hill Copper Mining Syndicate No Liability ..	M7049
Wentworth Golden Star of Australia Mines Syndicate No Liability ..	M7050
Hesperus Gold Mining Company No Liability ..	M7051
Long Tunnel Mining Company No Liability ..	M7052
Bogong (Mount Elmo) Gold Mine No Liability ..	M7053
Chillagoe Blocks No Liability ..	M7054
Duke of Athol Gold Mining Company No Liability ..	M7055
Duke of Devonshire Blocks Mining Company No Liability ..	M7056
Butler's United Quartz Mining Company No Liability ..	M7057
New Moon Extended Company No Liability ..	M7058
Turntide No Liability ..	M7059
Nine Mile North Gold Mining Company No Liability ..	M7060
Amy Castles Gold Mining Company No Liability ..	M7061
Powlett River Coal Syndicate No Liability ..	M7062
Comet Gold Mining Company No Liability ..	M7063
Duke United Extended Gold Mining Company No Liability ..	M7064
Canadian Gold Mining Company No Liability ..	M7065
Duchess of Cornwall South Gold Mining Company No Liability ..	M7066
Australian Tin Mining Company No Liability ..	M7067
Duchess of Kent Gold Mining Company No Liability ..	M7068
Kingston No. 1 North Mining Company No Liability ..	M7069
The Commonwealth Gold Mining Company No Liability ..	M7070
Waverley Tin Mines No Liability ..	M7071
Golden Fleece Gold Mining Company No Liability ..	M7072
Duke of Cornwall Gold Mining Company No Liability ..	M7073
Royal George Gold Mining Company No Liability ..	M7074
Afton Gold Mining Company No Liability ..	M7075
Myrtleford Proprietary Gold Mines No Liability ..	M7076
Merton's East Gold Mining Company No Liability ..	M7077
Mafeking Wolfram Mining Company No Liability ..	M7078
The Worlds Tin Mining Company No Liability ..	M7080
North Nuggetty Gold Mining Company No Liability ..	M7081
The Cumberland and Phoenix Gold Mining Company No Liability ..	M7082
Duchess of Wellington Gold Mining Company No Liability ..	M7083
The Golden Gate Tribute Syndicate Gold Mining Company No Liability ..	M7084
North Columbia Gold Mining Company No Liability ..	M7085

Name of Company.	Number of Registration.
The Hands Across the Sea Gold Mining Company No Liability ..	M7086
Sultan Company No Liability ..	M7087
Duchess of Cornwall and York Gold Mining Company Proprietary No Liability ..	M7088
Ruby King Tin Mining Company No Liability ..	M7089
The Consolidated Mount Lyall Copper Mines Limited ..	M7090
Columbia Gold Mining Company No Liability ..	M7091
Bamganie Prospecting Association No Liability ..	M7092
The Duke of York Proprietary Gold Mining Company No Liability ..	M7093
Exhibition Consolidated Gold Mining Company No Liability ..	M7094
The Chiltern Golden Bar Quartz Gold Mining Company No Liability ..	M7095
Woodburn Creek Gold Mining Company No Liability ..	M7096
Mississippi Mining Company No Liability ..	M7097
Anderson Gold Mining Company No Liability ..	M7098
Daylesford Deep Leads No Liability ..	M7099
Rosebank Gold Mining Company No Liability ..	M7100
Bamganie Consolidated No Liability ..	M7101
The Deadlock Gold Mining Company No Liability ..	M7102
Wealth of Tasmania Copper Proprietary Mining Company No Liability ..	M7103
Happy Thought Company No Liability ..	M7104
Mount Gobur North Gold Mining Company No Liability ..	M7105
Dark River Proprietary No Liability ..	M7106
Barranduda Alluvial Syndicate No Liability ..	M7107
The Sons of Gwalia South Gold Mining Company No Liability ..	M7108
Mount Morgan Consolidated Gold Mines of Queensland No Liability ..	M7109
Duke of York West Gold Mining Company No Liability ..	M7110
The New Eldorado Gold Mining Company No Liability ..	M7111
The Little Wonder Gold Mining Company No Liability ..	M7112
Myrtle Creek Tailings Company No Liability ..	M7113
The Duchess of Atholl Gold Mining Company No Liability ..	M7114
South Exchange Gold Mining Company No Liability ..	M7115
Gambetta Gold Mining Company No Liability ..	M7116
Chillagoe Consols Mining Company No Liability ..	M7117
The Commonwealth Investment Syndicate No Liability ..	M7118
Elverdton South Copper Mining Company No Liability ..	M7119
Australian Zinc Recovery Company No Liability ..	M7120
The Great Western Colliery No Liability ..	M7121
North Jubilee Quartz Mining Company No Liability ..	M7122
Brawn's Tribute Company No Liability ..	M7123
Duke Extended Proprietary Company No Liability ..	M7124
Quartz Hill North Gold Mining Company No Liability ..	M7125
Golden River Proprietary Mines No Liability ..	M7126
Hansen's Freehold Gold Mining Company No Liability ..	M7127
Coopers Creek Copper Mining Company No Liability ..	M7128
Lord Melbourne Mine No Liability ..	M7129
Edwards Golden Hill Company No Liability ..	M7130
Royal Standard Gold Mining Company No Liability ..	M7131
Duke of Argyle Gold Mining Company No Liability ..	M7132
The Caledonian Gold Mining Company No Liability ..	M7133
The Governor General Mines and Investment Corporation No Liability ..	M7134
South Quartz Hill Gold Mining Company No Liability ..	M7135
Great South German Gold Mining Company No Liability ..	M7136
Duke of Athol North Gold Mining Company No Liability ..	M7137
Albavale Gold Mining Syndicate No Liability ..	M7138
Nil Desperandum Gold Mining Company No Liability ..	M7139
New Waverley Tin Mines No Liability ..	M7141
The Newstead Gold Mining Company No Liability ..	M7142
Central Columbia Gold Mining Company No Liability ..	M7143
Victors Quartz Extended Gold Mining Company No Liability ..	M7144
The New London Gold Mines Company No Liability ..	M7145
Prentice and Southern Company No Liability ..	M7146
Princess Louise Gold Mining Company No Liability ..	M7147
The Royal Nuggetty Gold Mining Company No Liability ..	M7148
New Star Block 2. Gold Mining Company No Liability ..	M7149

Name of Company.	Number of Registration.	Name of Company.	Number of Registration.
Castlemaine Reefs Proprietary Company No Liability	M7150	Marong Alluvial Gold Mining Company No Liability	M7219
King Edward Gold Mining Company No Liability	M7151	Electric Gold Recovery Proprietary Company No Liability	M7220
New Nil Desperandum Gold Mining Company No Liability	M7152	The Emperor Company No Liability	M7221
Cassilis North Gold Mining Company No Liability	M7153	Cangai Copper Syndicate No Liability	M7222
Wentworth River Gold Mines No Liability	M7154	The Federal Flotation Syndicate Mining Company No Liability	M7223
John Bull Gold Mining Company No Liability	M7155	Myrtleford Gold Dredging Company No Liability	M7224
The Moss Glen Colliery Company No Liability	M7156	New Nuggetty Gully Gold Mining Company No Liability	M7225
Grafton Diamond and Minerals Proprietary Company No Liability	M7157	Surprise Gully Proprietary Tin Mining Company No Liability	M7226
Enterprise Gold Mining Company No Liability	M7158	Smiths Creek Extended Company No Liability	M7227
Clarence and Richmond Exploration Company No Liability	M7159	The Great Australian Central Transvaal Company No Liability	M7228
Hamburg Reef Gold Mining Company No Liability	M7160	Marengo Freehold Quartz Gold Mining Company No Liability	M7229
New Homeward Bound Gold Mining Company No Liability	M7161	The Watkins Tin Mining Company No Liability	M7230
Royal Duke Deep Lead Company No Liability	M7162	The Victors Extended Gold Mining Company No Liability	M7231
Royal Alluvial Company No Liability	M7163	North Sir John Franklin Gold Mining Company No Liability	M7232
North Dempsey Syndicate No Liability	M7164	Mountain View Gold Mining Company No Liability	M7233
Harrierville Tailings Company No Liability	M7165	Anglo American Gold Mining Company No Liability	M7234
Kilcunda Collieries Limited	M7166	King Cassilis Gold Mining Company No Liability	M7235
Reef Hill Gold Mining Company No Liability	M7167	Great Rand Proprietary Gold Mining Company No Liability	M7236
Gunbar Gold Mining Company No Liability	M7168	The Australian Graphite Company No Liability	M7237
The Dark Ariel Gold Mining Company No Liability	M7169	The Governor General Mines and Investment Combine No Liability	M7238
The St. Arnaud Tailings Company No Liability	M7170	The South Golden Point Dredging Company No Liability	M7239
Red Parrot Gold Mining Company No Liability	M7171	The South Dempsey Gold Mining Company No Liability	M7240
Tina Dyke Gold Mining Company No Liability	M7172	Morning Star Gold Mining Company No Liability	M7241
Albion Gold Mining Company No Liability	M7173	The Annand Brassey Gold Mining Company No Liability	M7242
The Perseverance Gold Mining Company No Liability	M7174	The Hopetoun Gold Mining Company No Liability	M7243
Duke of Meredith Gold Mining Company No Liability	M7175	New Barambogio Gold Mining Company No Liability	M7244
The Perseverance Gold Dredging Company No Liability	M7176	Scottie's Reef Gold Mining Company No Liability	M7245
Kiewa Gold Mining Company No Liability	M7177	Newport Coal Options Syndicate No Liability	M7246
New Moon United Gold Mining Company No Liability	M7178	The Star of the Glen Gold Mining Company No Liability	M7247
New Victoria Gundagai Gold Mines No Liability	M7179	The Bendigo Sluicing Company No Liability	M7248
Golden Gate Alluvial Mine No Liability	M7180	North Dempsey's Gold Mining Company No Liability	M7249
Moonambel Gold Mining Company No Liability	M7181	Prince of Australia Gold Mining Company No Liability	M7250
South Golden Entrance Gold Mining Company No Liability	M7182	Olive Gold Mining Company No Liability	M7251
Rising Star Company No Liability	M7183	The Great Leviathan Gold Mine No Liability	M7252
Balaclava Hill Gold Mining Company No Liability	M7184	Coronation Gold Mining Company No Liability	M7253
Fortuna Gold Mining Company No Liability	M7185	The King Gold Mining Company No Liability	M7254
The Belltopper Gold Mining Company No Liability	M7186	Ormeo Gold Mining Company No Liability	M7255
The Mount Magnus Gold Mining Company No Liability	M7187	The Darwin Mining Syndicate No Liability	M7257
King Edward Gold Mining Company No Liability	M7188	The Tailings Company No Liability	M7258
Federal Convention Gold Reefs No Liability	M7189	Sunbeam Gold Mining Company No Liability	M7259
Castlemaine Junction Sluicing Company No Liability	M7190	Vagabond Gold Mining Company No Liability	M7260
The Prince Royal Gold Mining Company No Liability	M7191	The Lancashire Gold Mining Company No Liability	M7261
Cornwall Gold Mining Company No Liability	M7192	Waverley Gold Mine No Liability	M7262
Cannings Tribute Company No Liability	M7193	Hans Gold Mining Company No Liability	M7263
Watsons Hill Gold Mining Company No Liability	M7194	New Dempsey Extended Company No Liability	M7264
Great Rand Mountain Gold Mining Company No Liability	M7195	Achilles Gold Mining Company No Liability	M7265
Woodburn Creek Gold Mining Company No Liability	M7196	Bell's Reef Gold Mining Company No Liability	M7266
North Kingston Gold Mining Company No Liability	M7197	The Sovereign Gold Mining Company No Liability	M7267
Drumond and Matmsbury Deep Leads Company No Liability	M7198	Clean Sweep Gold Mining Company No Liability	M7268
Golden Point Dredging Company No Liability	M7199	Meteor Gold Mines No Liability	M7269
Golden Mountain Company No Liability	M7201	Meads Reef Gold Mining Company No Liability	M7270
Royal Duke Consols Gold Mining Company No Liability	M7202	Federal and Shannon Gold Mining Company No Liability	M7271
Spring Gully Sluicing Company No Liability	M7203	Coronation Gold Mining Company No Liability	M7272
North Gambetta Gold Mining Company No Liability	M7204	Star of the West Gold Mining Company No Liability	M7273
Elliott Diamond Mining Company No Liability	M7205	Linda Gold Mining Company No Liability	M7274
Sons of Freedom United Gold Mining Company No Liability	M7206	Golden Dyke Consols Gold Mining Company No Liability	M7275
Victorian A.1 North Gold Mining Company No Liability	M7207	Normanby North Gold Mining Company No Liability	M7276
Ross Creek Proprietary No Liability	M7208	Clear Creek Tin Mining Company No Liability	M7277
Great Berry Consolidated Gold Mining Company No Liability	M7209	Abundance Gold Mining Company No Liability	M7278
The Queen's Lead Gold Mining Company Limited	M7210	The Volunteer Gold Mining Company No Liability	M7279
The Rob Roy Gold Mining Company No Liability	M7211	The Crowl Creek Mining Company No Liability	M7280
Federal Iron Company No Liability	M7212	Speedwell Proprietary Company No Liability	M7281
New Knowles Creek Gold Mining Company No Liability	M7213	The Ada Gold Mining Company No Liability	M7282
The South Lady Parker Gold Mining Company No Liability	M7214	The Coorong Petroleum Prospecting Company No Liability	M7283
Avon Plains Gold Mines Company No Liability	M7215	Great Western Alluvial Gold Mining Company No Liability	M7284
Egan's Gold Mining Company No Liability	M7216	Bruton Ballarat Gold Mining Company No Liability	M7285
The Scots Perseverance Gold Mining Company No Liability	M7217		
Empress Tribute Company No Liability	M7218		

Name of Company.	Number of Registration.	Name of Company.	Number of Registration.
Jorgensens Proprietary Company No Liability ..	M7286	The Mount Eastern Gold and Copper Mining Com- pany No Liability ..	M7354
Morning Star Consolidated Gold Mining Company No Liability ..	M7287	The Australian Turgoise Mines No Liability ..	M7355
The South British Gold Mining Company No Liability ..	M7288	Arthur's Creek Gold Mining Company No Liability ..	M7356
Birthday Tunnel North Company No Liability ..	M7289	McDonalds Reef Gold Mining Company No Liability ..	M7357
Rysons Creek Tin Mining Company No Liability ..	M7290	The Jubilee Number One Gold Mining Company No Liability ..	M7358
Smart's Gold Mining Company No Liability ..	M7291	Reward Gold Mining Company No Liability ..	M7359
South A.1 Syndicate No Liability ..	M7292	Vulcan Gold Mining Company No Liability ..	M7360
Napoleans Alluvial Gold Mining Company No Liability ..	M7293	British Gold Mining Company No Liability ..	M7361
Good Hope Gold Mining Company No Liability ..	M7294	The Great Cangai Proprietary Copper Syndicate No Liability ..	M7362
New Tasmania United Gold Mining Company No Liability ..	M7295	South Australian Hicks Process Company No Liability ..	M7363
The Taradale Reefing Company No Liability ..	M7296	New South Wales Hicks Process Company No Liability ..	M7364
Reef Hill Extended Gold Mining Company No Liability ..	M7297	The Triangle Reefs Gold Mining Company No Liability ..	M7365
South Llanberris Gold Mining Company No Liability ..	M7298	South Lancashire Gold Mining Company No Liability ..	M7367
New Pyrenees Gold Mining Company No Liability ..	M7299	Cangai Extended Copper Mining Syndicate No Liability ..	M7368
The Belltopper Gold Mining Company No Liability ..	M7300	East Moonambel Gold Mining Company No Liability ..	M7369
Eaglehawk Heather Company No Liability ..	M7301	Jorgensens Gold Mining Company No Liability ..	M7370
The New Dalcouth Tin Mining Company No Liability ..	M7302	The Victorian Co-operative Prospecting Syndicate Gold Mining Company No Liability ..	M7371
Creswick Bucket Dredging Company No Liability ..	M7303	The Maxwell's Gold Mining Company No Liability ..	M7372
The Great Morwell Brown Coal Company No Liability ..	M7304	The Arrino Associated Copper Mines No Liability ..	M7373
Mount Elliott Gold Mining Company No Liability ..	M7306	Moonambel Extended Quartz Company No Liability ..	M7374
Sailor Bill Extended Gold Mining Company No Liability ..	M7307	The Camerons Creek Gold Mines No Liability ..	M7375
Arltunga and Alice Springs Proprietary No Liability ..	M7308	Gundagai Gold Mining Company No Liability ..	M7376
Creswick Creek Alluvial Company No Liability ..	M7309	Smyths Creek Bucket Dredging Company No Liability ..	M7377
The Mount Lyell Blocks Mining Company No Liability ..	M7310	Clive Gold Sluicing Company No Liability ..	M7378
The Venture Proprietary No Liability ..	M7311	Golden City Bucket Dredging Company No Liability ..	M7379
Transit Gold Mines No Liability ..	M7312	South Great Columbian Gold Mining Company No Liability ..	M7380
The March Arltunga Mining Company No Liability ..	M7313	Countess Company No Liability ..	M7381
Hennahs Fancy Mining Company No Liability ..	M7314	Deep Creek Gold Mining Company No Liability ..	M7382
Glenfine Gold Mining Company No Liability ..	M7315	Woah Hawp No. 1 Gold Mining Company No Liability ..	M7383
Block Four Burrarorang Silver and Lead Mining Company No Liability ..	M7317	Llanberris No. 2 Company No Liability ..	M7384
Cangai Copper Company No Liability ..	M7318	The Lady Ethel Gold Mining Company No Liability ..	M7385
Confidence Gold Mining Company No Liability ..	M7319	Blue Tier Tin Mining Company No Liability ..	M7386
The Mayne Tin Mines No Liability ..	M7320	The Supply River Quicksilver Mining Company No Liability ..	M7387
Yallangalook Extended Company No Liability ..	M7321	New Zealand Hydraulic Elevating Gold Mining Company No Liability ..	M7388
Mount Elmo Gold Mining Company No Liability ..	M7322	The Raymond Gold Mining Company No Liability ..	M7389
Bonanza Mining Association No Liability ..	M7323	The New Band of Hope Gold Mining Company No Liability ..	M7390
South Australian Mining Company No Liability ..	M7324	West Moonambel Gold Mining Company No Liability ..	M7391
New Polar Star Gold Mining Company No Liability ..	M7325	South Woah Hawp Gold Mining Company No Liability ..	M7392
Pride of the Hills Gold Mining Company No Liability ..	M7326	The Lady Nelson Gold Mining Company No Liability ..	M7393
Pioneer Extended Proprietary Tin Mines Company No Liability ..	M7327	Union Gold Mining Company No Liability ..	M7394
Lady Saville Gold Mining Company No Liability ..	M7328	The New McMillan's Ajax Quartz Mining Company No Liability ..	M7395
Hunts Extended Gold Mining Company No Liability ..	M7329	Duke of Wellington South Gold Mining Company No Liability ..	M7396
La Mascotte Gold Mining Company No Liability ..	M7330	The Coronation Syndicate Gold Mining Company No Liability ..	M7397
The Penzance Extended Tin Mining Company No Liability ..	M7331	Lovie's Lead Extended Gold Mining Company No Liability ..	M7398
The Australian Oil Concessions and Development Company No Liability ..	M7332	The Australian States Oil Concession Syndicate No Liability ..	M7399
The Arrino Copper Lodes Mining Company No Liability ..	M7333	Tormey's Freehold Company No Liability ..	M7400
Bundarra Mining Company No Liability ..	M7334	New Union Jack Gold Mining Company No Liability ..	M7401
The Great Morwell Brown Coal Company No Liability ..	M7335	The Governor General Mines and Investment Association No Liability ..	M7402
Dargo Proprietary No Liability ..	M7336	Jordan River Bucket Dredging Company No Liability ..	M7403
Birthday Tunnel Extended Company No Liability ..	M7337	The Lightning Hill Gold Mining Company No Liability ..	M7404
Dreamers Hill Mining Company No Liability ..	M7338	Omeo Mining Company No Liability ..	M7405
Wooragee Gold Mining and Dredging Company No Liability ..	M7339	Lafontaine Gold Mining Company No Liability ..	M7406
German and Derby Gold Reefs No Liability ..	M7340	Mohican Tin and Gold Mining Company No Liability ..	M7407
South Mount Elliot Gold Mining Company No Liability ..	M7341	Creswick Creek South Bucket Dredging Company No Liability ..	M7408
The White Horse Sluicing Company No Liability ..	M7342	Lord Nelson Extended Gold Mining Company No Liability ..	M7409
The Penzance Tin Mines No Liability ..	M7343	Diamond Gully Hydraulic Sluicing Company No Liability ..	M7410
The Enterprise Gold Dredging Company No Liability ..	M7344	Moorabool and Dolly's Creek Bucket Dredging Company No Liability ..	M7411
South Mount Cameron Tin Mining Company No Liability ..	M7345		
Flag Mining Company No Liability ..	M7346		
Specimen Quartz Gold Mining Company No Liability ..	M7347		
The Murchison River Silver & Lead Company No Liability ..	M7348		
Economic Company No Liability ..	M7350		
Birthday Tunnel Consols Gold Mining Company No Liability ..	M7351		
The New Stockman's Gold Mining Company No Liability ..	M7352		
Barton Quartz Company No Liability ..	M7353		

Name of Company.	Number of Registration.	Name of Company.	Number of Registration.
Vaughan Bucket Dredging Company No Liability	M7412	Wheal Dorcy Gold Mining Company No Liability	M7481
Ballarat Cyanide and Gold Recovery Company No Liability	M7413	Marmont Gold Mining Company No Liability	M7482
Black Forest Gold Mining Company No Liability	M7414	Golden King Prospecting Company No Liability	M7483
The Good Deed Gold Mining Company No Liability	M7415	Little Wonder Gold Mining Company No Liability	M7484
Morning Star Option Company No Liability	M7416	Lake King Gold Dredging Company No Liability	M7485
Wyengatta Gold Mining Syndicate No Liability	M7417	Barwidgee Bucket Dredging Company No Liability	M7486
Lamble's Find Gold Mining Company No Liability	M7418	Cherry Hill Gold Mining Company No Liability	M7487
The Moon Gold Mining Company No Liability	M7419	The Nell Gwynne Gold Mining Company No Liability	M7488
Wattle Gully Dredging and Mining Company No Liability	M7420	Rathscar Quartz Mining Company No Liability	M7489
The O'Connor's Freehold Gold Mining Company No Liability	M7421	Glenfine Western Leads Gold Mining Company No Liability	M7490
The New Yorkshire Mining Company No Liability	M7422	Spring Gully Dredging Company No Liability	M7491
Homeward Bound Gold Mining Company No Liability	M7423	The Star of the Loddon Gold Mining Company No Liability	M7492
The Wooragee Freehold Gold Mining Company No Liability	M7424	Strike Extended Gold Mining Company No Liability	M7493
The New Exhibition Consolidated Company No Liability	M7425	Canico Gold Mines No Liability	M7494
Victorian Golden Gate Gold Mining Company No Liability	M7426	Colleen Bawn Gold Mining Company No Liability	M7495
New Golden Dyke Extended Gold Mining Company No Liability	M7427	The Great Eldorado United Gold Mining Company No Liability	M7496
The Mount Cameron Gold Mining Company No Liability	M7428	The Prince of Wales Gold Mining Company No Liability	M7497
Kinglock Gold Mining Company No Liability	M7429	O'Connor's United Gold Mining Company No Liability	M7498
Barkers Creek Hydraulic Sluicing Company No Liability	M7431	Linton Gold Mining Company No Liability	M7499
The Strike Gold Mining Company No Liability	M7432	Plantagenet Gold Mines No Liability	M7500
The Nilumbik Gold Mining Company No Liability	M7433	The Union Gold Mining Company "Kingower" No Liability	M7501
The Marong Deep Leads Gold Mining Company No Liability	M7434	The Chittern Golden Bar Extended Quartz Gold Mining Company No Liability	M7502
The Derril Reefs Gold Mining Company No Liability	M7435	Hoddles Creek Mining Company No Liability	M7503
Alexandra Reefs Consolidated Gold Mining Company No Liability	M7436	North Homeward Bound Gold Mining Company No Liability	M7504
Timbarra Proprietary Gold Dredging Company No Liability	M7437	Robbie Burns Gold Mining Company No Liability	M7505
New Try Again Gold Mining Company No Liability	M7438	Sugar Loaf Tunnel Gold Mining Company No Liability	M7506
Goulburn Dredging Syndicate No Liability	M7439	Glenloth Mining Company No Liability	M7507
The Duke of Wellington Extended Gold Mining Company No Liability	M7440	West Bendigo Goldfields Company No Liability	M7508
The Star and Thomson Gold Mining Company No Liability	M7441	Myrtle Queen Bucket & Suction Dredging Company No Liability	M7509
Epping and Morang Gold Mining Company No Liability	M7442	Central Loddon Sluicing Company No Liability	M7510
The United Dinah Flat Dredging Company No Liability	M7443	Mount Gobur Extended Gold Mining Company No Liability	M7511
Craigie Company No Liability	M7444	Richmond Point Dredging Company No Liability	M7512
Ballarat Bucket Dredging Syndicate No Liability	M7445	New Golden Gate Gold Mining Company No Liability	M7513
New Polar Star Company No Liability	M7446	The Tewksbury Gold Dredging Company No Liability	M7514
North Junction Dredging Company No Liability	M7447	Blue Ribbon Gold Mines No Liability	M7515
Eaglehawk Band Gold Mining Company No Liability	M7448	Russell's Golden Point Sluicing Company No Liability	M7516
Aftermath Gold Mining Company No Liability	M7449	Briseis Extended Tin Mines Company No Liability	M7518
Block 2 Gold Mining Company No Liability	M7450	New England Tin Dredging and Pump Syndicate No Liability	M7519
Mount Gobur Gold Mines No Liability	M7451	Cambrian Gold Mining Company No Liability	M7520
Homeward Bound Extended Gold Mining Company No Liability	M7452	The Costerfield Tailings Company No Liability	M7521
Granite Peak Mining Company No Liability	M7453	Tarnagulla Gold Estates No Liability	M7522
The Goldfields North Mining Company No Liability	M7454	Moorina Deep Lead Tin Mining Company No Liability	M7523
The Mountain View Gold Mining Company No Liability	M7455	North Cross Reef Extended Gold Mining Company No Liability	M7524
Taradale Phoenix Gold Mining Syndicate No Liability	M7456	Ballarat & Castlemaine Proprietary Hydraulic Sluicing Company No Liability	M7525
Nuggetty Gully Dredging Company No Liability	M7457	Long Tunnel Surprise Gold Mining Company No Liability	M7526
Duke Junction Gold Mining Company No Liability	M7458	Hustlers Consols Gold Mining Company No Liability	M7527
Specimen Gully Dredging Company No Liability	M7459	Kenny's Star Gold Mining Company No Liability	M7528
Gippsland Democrat Gold Mining Company No Liability	M7460	South Amalgamated Scotchmans Gold Mining Company No Liability	M7529
North Bendigo Gold Field Company No Liability	M7462	Spez Bona Gold Mining Company No Liability	M7530
Black Range Gold Mining Company No Liability	M7463	Marmont Extended Gold Mining Syndicate No Liability	M7531
The Caledonia Gold Mines No Liability	M7464	United Gold Mining Company No Liability	M7532
The Strathloddon Sluicing Company No Liability	M7465	The New South Imperial Company No Liability	M7533
Lakes Gold Dredging Company No Liability	M7466	Star of the West Extended Gold Mines No Liability	M7534
Federal Gold Dredging Company No Liability	M7467	Duke and Bet Bet Gold Mining Company No Liability	M7535
Lord Northcote Company No Liability	M7468	Birthday New Find Gold Mining Company No Liability	M7536
The Gladstone Tin Development Company No Liability	M7469	Happy-Go-Lucky Gold Mining Company No Liability	M7537
Wheel of Fortune Gold Mining Company No Liability	M7470	Irvin's Reef Gold Mining Company No Liability	M7538
Central Forest Creek Dredging Company No Liability	M7471	Oriental Gold Mining Company No Liability	M7539
Legendre Mining Company No Liability	M7472	The Newbridge United Leads Company No Liability	M7540
The Liffey Gold Mining Company No Liability	M7473	The Wombat Flat Hydraulic Sluicing Company No Liability	M7541
Mount Pleasant Gold Mining Company No Liability	M7474	Chatsworth Dredging and Sluicing Company No Liability	M7542
The Melton Gold Mining Company No Liability	M7476	The Fitzgerald Valley Dredging Company No Liability	M7543
Brennan's Hydraulic Tin Mining Company No Liability	M7478		
The Goldfields Consolidated Company No Liability	M7479		
Mornington Gold Mining Company No Liability	M7480		

Name of Company.	Number of Registration.	Name of Company.	Number of Registration.
Chiltern Golden Bar No. 1 Gold Mining Company No Liability	M7544	Wyengatta Gold Mining Company No Liability	M7607
Federation Quartz Mining Company No Liability	M7546	Jubilee Consols Gold Mining Company No Liability	M7608
The Victorian Sapphire and Precious Stone Exploration Company No Liability	M7547	Reform Tailings Concentrating Company No Liability	M7609
Lord Nelson Consols Company No Liability	M7548	The Kerrisdale Gold Mining Company No Liability	M7610
Loddon Consols Company No Liability	M7549	Carngham Hydraulic Dredging Company No Liability	M7612
Northern Territory Mining Company No Liability	M7550	Castlemaine Proprietary Hydraulic Dredging Company No Liability	M7613
Towong Gold Mines No Liability	M7551	Lady Vera Gold Mining Company No Liability	M7614
Alabama Gold Mining Company No Liability	M7552	Panama Gold Mining Company No Liability	M7615
Union Consolidated Copper Mines No Liability	M7553	New Franklin Gold Mining Company No Liability	M7616
Russell's United Gold Mining Company No Liability	M7554	Star of the West Consols Gold Mining Company No Liability	M7617
Blackmans Lead Gold Dredging Company No Liability	M7555	The Wallaby Consolidated Gold Mining Company No Liability	M7618
Woah Hawp Canton Gold Mining Company No Liability	M7556	North Tarrangower Gold Mining Company No Liability	M7619
New Britannia Gold Mines No Liability	M7557	Barclay and Macpherson Concessions Development and Exploration Company No Liability	M7620
McIvor Creek Hydraulic Sluicing Company No Liability	M7558	Turn of the Tide No Liability	M7621
Golden Dyke Central Mining Company No Liability	M7559	North Lightning Hill Company No Liability	M7622
Murray Tunnel Mining Syndicate No Liability	M7560	Buninyong Hydraulic Dredging Company No Liability	M7623
Great Gippsland Tin Mining Company No Liability	M7561	The Star of Stirling Gold Mining Association No Liability	M7624
Russells Flat Hydraulic Dredging Company No Liability	M7562	Pound Hill Gold Mines No Liability	M7625
The Crofton Tailings Company No Liability	M7563	Main Leads Gold Dredging Company No Liability	M7626
Pioneer North Tin Mining Company No Liability	M7564	Evening Star Gold Mines No Liability	M7627
New Ruby Flat Tin Mining Company No Liability	M7565	Mount Stronach Tin Mines No Liability	M7628
The Golden Crescent Hydraulic Sluicing Company No Liability	M7566	Fulton's Creek Consols Gold Mining Company No Liability	M7629
Stratmans Find Gold Mining Company No Liability	M7567	Pioneer Hydraulic Sluicing Company No Liability	M7630
Crinoline Extended Gold Mining Company No Liability	M7568	Eliza Hill Gold Mining Company No Liability	M7631
Boobyalla Bucket Dredging Tin Mining Company No Liability	M7569	The Southern Goldfields Mining Company No Liability	M7632
The South Gippsland Gold Mining Company No Liability	M7570	Ladds Prospecting Company No Liability	M7633
The Chiltern Jubilee Quartz Mining Company No Liability	M7571	Ringarooma Extended Tin Mining Company No Liability	M7634
Woah Hawp Mining Company No Liability	M7572	South of England Gold Mining Company No Liability	M7635
Yarra Glen Gold Mining Company No Liability	M7573	Stannifer Central Tin Dredging Company No Liability	M7636
Duncan's Slimes Treatment Patent Limited	M7574	The Lauriston Gold Mines No Liability	M7637
Golden Dyke Consols West Gold Mining Company No Liability	M7575	The Australian Mica Mines No Liability	M7638
Jones Creek Gold Mining Company No Liability	M7576	Frederick The Great Gold Mining Company No Liability	M7639
South Victorian Cornish Company No Liability	M7577	The Goldfields South Mining Company No Liability	M7640
Mountain Stream Gold Mining Company No Liability	M7578	North Broken Hill Mining Company No Liability	M7641
Pioneer Lead Tin Development Company No Liability	M7579	Fryerstown Tailings Company No Liability	M7642
The New Happy Gold Mining Company No Liability	M7580	Coppabella Silver Lead Mining Company No Liability	M7643
The Meteor Company No Liability	M7581	Sandy Creek Hydraulic Sluicing Company No Liability	M7644
Stannifer Tin Dredging Company No Liability	M7582	The Old Hall Mine No Liability	M7645
Duke Junction Alluvial Gold Mining Company No Liability	M7583	Donkey Gully Hydraulic Sluicing Company No Liability	M7646
Morning Star Gold Mining Company No Liability	M7584	Copes Creek Extended Tin Dredging Company No Liability	M7647
The Ringarooma Bucket Dredging Company No Liability	M7585	Taylor's Hill Hydraulic Sluicing Company No Liability	M7649
Blue Creek and Fryers United Dredging Company No Liability	M7586	The Portuguese Flat Hydraulic Sluicing Company No Liability	M7650
Strezlecki Coal Mining Company Limited	M7587	Mikado Tin and Gold Mining Syndicate No Liability	M7651
Oriental and North Cross Gold Mining Company No Liability	M7588	New Alabama Gold Mines No Liability	M7652
Champion Gold Mines No Liability	M7590	Pioneer Consols Tin Prospecting Association No Liability	M7653
Woah Hawp No. 2 Gold Mining Company No Liability	M7591	Star of Maldon Gold Mining Company No Liability	M7654
The Goldfields Extended Mining Company No Liability	M7592	Tennants Hills Gold Mining Company No Liability	M7655
The Confidence Tin Mining Company No Liability	M7593	Coppabella North Silver Lead Mining Company No Liability	M7656
Wynne-Grant Antimony Reduction Company No Liability	M7594	Amherst Flat Hydraulic Sluicing Company No Liability	M7657
Creswick Spring Gully Hydraulic Sluicing Company No Liability	M7595	The Kingower Dredging Company No Liability	M7658
The Tarrangower Cyanide Company Posterville No Liability	M7596	Golden Point Hydraulic Sluicing Company No Liability	M7659
Central Lightning Hill Gold Mining Company No Liability	M7597	Diamond Creek Gold Mining Company No Liability	M7660
Cornwall Gold Mining Company No Liability	M7598	Esk River Dredging Company No Liability	M7661
Crinoline Gold Mining Company No Liability	M7599	Pioneer Extended Tin Sluicing Company No Liability	M7663
Lord Roberts Company No Liability	M7601	Ringarooma East Tin Prospecting Syndicate No Liability	M7664
Port Arthur Gold Mining Company No Liability	M7602	South Lightning Hill Gold Mining Company No Liability	M7665
McKay Gold Mining Company No Liability	M7603	The Thistle Gold Mining Company No Liability	M7666
Break O'Day Dredging Hydraulic and Sluicing Company No Liability	M7604	The Egerton Cyanide Company No Liability	M7667
Bruhn's Frederick the Great Consolidated Company No Liability	M7605	Eliza Hill Quartz Mining Company No Liability	M7668
Yarrowee Dredging Company No Liability	M7606	Fancy Creek Tin Sluicing Syndicate No Liability	M7669
		The North Eastern Tin Sluicing Company No Liability	M7670
		Sons of England Company No Liability	M7671
		Coppabella South Silver Lead Mining Company No Liability	M7672

Name of Company.	Number of Registration.	Name of Company.	Number of Registration.
St. Helens Tin Mining Company No Liability	M7673	The Rutherglen Quartz Gold Mining Company No Liability	M7737
England Consols Gold Mining Company No Liability	M7674	Great Southern Gold Mining Company No Liability	M7738
Weldbrook Tin Mines Company No Liability	M7675	Broken Hill Junction North Silver Mining Company No Liability	M7739
Cassilis Consols Gold Mining Company No Liability	M7676	Delegate River Bucket Dredging Company No Liability	M7740
Kangaroo Gully Hydraulic Sluicing Company No Liability	M7677	Austral Valley Silver Lead Mining Company No Liability	M7741
Nuggety Gully Quartz Mining Company No Liability	M7678	The Fitzgerald Dredging Company No Liability	M7742
Cathcart North Gold Mining Company No Liability	M7679	The Clarke Gold Mining Company No Liability	M7743
The Goldfields No. 1 Gold Mining Company No Liability	M7680	The Tewksbury Freehold Gold Dredging Company No Liability	M7744
South Port Arthur Gold Mining Company No Liability	M7681	Magenta United Gold Mining Company No Liability	M7745
Welcome Stranger Dredging Company No Liability	M7682	Heathcote and Castlemaine Dredging Company No Liability	M7746
Creswick Black Lead Hydraulic Sluicing Company No Liability	M7683	Wattle Flat Hydraulic Sluicing Company No Liability	M7747
Snowball Gully Company No Liability	M7684	Australian Blue Tier Tin Company No Liability	M7748
Melbourne Copes Creek Tin Sluicing Company No Liability	M7685	Earl North Tin Mines Company No Liability	M7749
Woah Hwap Central Company No Liability	M7686	Caledonia Consols Company No Liability	M7750
Cumberland Hydraulic Sluicing Company No Liability	M7687	The Scotts Gully & Little Bendigo United Sluicing Company No Liability	M7752
The McIntyres Centrifugal Pump Sluicing Gold Mining Company No Liability	M7688	Catherine Reef Extended Mining Company No Liability	M7753
Sulky Gully Revival Gold Mining Company No Liability	M7689	New Nil Desperandum Mining Company No Liability	M7754
The Victoria Zeehan Silver Lead Mining Company No Liability	M7690	The Ringarooma Consols Syndicate No Liability	M7755
Elsmore Tin Sluicing Company No Liability	M7691	Murrindal Gold and Silver Mining Development Company No Liability	M7757
Ivy Reef Gold Mining Company No Liability	M7692	One Tree Hill Pioneer Gold Mining Company No Liability	M7758
Inkerman Sluicing Company No Liability	M7693	Annan Tin Dredging Association No Liability	M7759
Lady Nelson Extended Gold Mining Company No Liability	M7694	Ferris Tin Sluicing Company No Liability	M7760
The Redcastle Prospecting Company No Liability	M7695	The Excelsior Bucket Dredging Company No Liability	M7761
The Union Jack Gold Mining Company No Liability	M7696	The Nine Mile Hydraulic Sluicing Company No Liability	M7762
Star & Champion United Company No Liability	M7697	Creswick Nuggety Gully Hydraulic Sluicing Company No Liability	M7763
Blue Tier Amalgamated Tin Mining Company No Liability	M7698	Mount Maurice Tin Mines No Liability	M7764
Coppabella Block 2 Silver Lead Mining Company No Liability	M7699	The Corinella Quartz Mining Company No Liability	M7765
Enfield Hydraulic Sluicing Company No Liability	M7700	Star of the East Gold Mining Company No Liability	M7766
New South Wales Options Syndicate No Liability	M7701	Avoca Railway Gold Dredging Company No Liability	M7767
Victory East Gold Mining Company No Liability	M7702	Deep Creek Sluicing Company No Liability	M7768
Central New Moon Gold Mining Company No Liability	M7703	The Cybele Tin Mines No Liability	M7769
Myrtleford Bucket Dredging Company No Liability	M7704	C.S.A. Block 10 Mining Company No Liability	M7770
Australian Monazite Dredging and Sluicing Company No Liability	M7705	New Imperial Extended Gold Mining Company No Liability	M7771
The Coppabella Queen Mining Company No Liability	M7706	The Reform Gold Mining Company No Liability	M7772
New West Volunteer Gold Mining Company No Liability	M7707	The Limestone Creek Gold Mining and Dredging Company No Liability	M7773
The Annan River Tin Mines No Liability	M7708	South Egerton Main Lead Gold Mining Company No Liability	M7774
Abbotsford Tin Mines No Liability	M7709	New Chum Gully Sluicing Company No Liability	M7776
East Coast Tin Mining Company No Liability	M7710	Koetong Tin Mining Company No Liability	M7777
Swansea Tin Mining Company No Liability	M7711	The Copes Creek Consolidated Tin Mines No Liability	M7778
Talmalmo Tin Mining Company No Liability	M7712	Grand Central Gold Dredging Company No Liability	M7779
Star of the West Blocks Gold Mines No Liability	M7713	Talbot Proprietary Hydraulic Sluicing Company No Liability	M7780
Rocky Flat Company No Liability	M7714	Weldbrook South Tin Mining Company No Liability	M7781
Excelsior Tin Mining Company No Liability	M7715	Talbot Pioneer Hydraulic Sluicing Company No Liability	M7782
Harrietville Company No Liability	M7716	North Caledonia Company No Liability	M7783
The New Golden Gate Gold Mining Company No Liability	M7717	MT Pleasant Talmalmo Tin Mines No Liability	M7784
Mopoke Gully Dredging Company No Liability	M7718	South Caledonia Gold Mining Company No Liability	M7785
Sunny Morn Earls Reef Gold Mining Company No Liability	M7719	Transit Tin Mines Company No Liability	M7786
The Nil Desperandum Gold Mining Company No Liability	M7720	New Home Rule Gold Mines No Liability	M7787
Laanecoorie Gold Mining Company No Liability	M7721	Goulburn River Dredging Company No Liability	M7788
Duke Consols Gold Mining Company No Liability	M7722	Braunkeet Gold Sluicing Company No Liability	M7789
Mammoth Dredging Company No Liability	M7723	The Tasman and Crown Lyell Extended Mining Corporation No Liability	M7790
Talmalmo Proprietary Tin Mines Company No Liability	M7724	The Caledonia Fifth Hill Gold Mining Company No Liability	M7791
Broken Hill South Blocks No Liability	M7725	Sungei Rai Tin Mining Company No Liability	M7792
The Princess Company No Liability	M7726	Hans Gold Mines No Liability	M7793
Mutual Hill Tin Mines No Liability	M7727	North Don Gold Mining Company No Liability	M7794
Tingha South Tin Dredging Company No Liability	M7728	The Redjacket Gold Mining Company No Liability	M7795
Pine Hill Silver Lead Mining Company No Liability	M7729	Blue Mount Leads Company No Liability	M7796
Barrambie Ranges Gold Mining Company No Liability	M7730	San Remo Coal and Land Syndicate No Liability	M7797
New Glenmona Gold Mining Company No Liability	M7732	Beaufort Dredging Proprietary Company No Liability	M7798
Palmer River Dredging and Prospecting Company No Liability	M7733	North Snowball Company No Liability	M7799
Electro Hydraulic Dredging Company No Liability	M7734	Caledonia Blocks Company No Liability	M7800
Holmans Coppabella Silver Lead Mining Company No Liability	M7735		
The Reform Quartz Company No Liability	M7736		

Name of Company.	Number of Registration.	Name of Company.	Number of Registration.
Krawarree Silver Lead Mining Company No Liability ..	M7801	South Don Gold Mining Company No Liability ..	M7878
Tingha South No. 1 Tin Dredging Company No Liability ..	M7802	Steele's Pioneer Company No Liability ..	M7879
The Crooked River Dredging Company No Liability ..	M7803	The Rose of England Gold Mining Company No Liability ..	M7880
Dorset Bucket Dredging Company No Liability ..	M7804	Florence Company No Liability ..	M7881
Mitta Mitta Bucket Dredging Company No Liability ..	M7805	Argyle Company No Liability ..	M7882
The Bulumwaal Gold Dredging Company No Liability ..	M7806	Great South Goldfields Company No Liability ..	M7883
Cybele South Tin Mines Syndicate No Liability ..	M7807	Goldfields United Company No Liability ..	M7884
New Victory Gold Mining Company No Liability ..	M7808	Bell's Hill Proprietary Tin Mines No Liability ..	M7885
Caledonia No. 1 Gold Mining Company No Liability ..	M7809	Bright Star Gold Dredging Company No Liability ..	M7886
Old Caledonia Company No Liability ..	M7810	Running Creek Bucket Dredging Company No Liability ..	M7887
Panton Hill Gold Mining Company No Liability ..	M7811	Growlers Hill Gold Mining Company No Liability ..	M7888
Maracket Tin Mining Company No Liability ..	M7812	Flora Hill Gold Mining Company No Liability ..	M7889
Caledonia Central Gold Mining Company No Liability ..	M7814	California Gold Mining Company No Liability ..	M7890
Harbour View Mines No Liability ..	M7815	The Golden Ripple Gold Mining Company No Liability ..	M7891
Caledonia Amalgamated Exploration Gold Mining Company No Liability ..	M7816	The British and Australian Gold Mining Company No Liability ..	M7892
Cathcart Gold Mines No Liability ..	M7817	The Havilah Gold Mining Company No Liability ..	M7893
Caledonia Extended Company No Liability ..	M7818	The New Bethanga Gold Mines Company No Liability ..	M7894
The Havelock Gold Mining Company No Liability ..	M7819	South Garden Gully Gold Mining Company No Liability ..	M7895
North Victory Gold Mining Company No Liability ..	M7820	Yam Holes Sluicing Company No Liability ..	M7896
Drivers Reward Gold Mining Company No Liability ..	M7821	Royal Gold Mining Company No Liability ..	M7897
The Unknown Gold Mining Company No Liability ..	M7822	Bora Creek Tin Dredging Company No Liability ..	M7898
West Coast Tin Company No Liability ..	M7823	Corang Hydraulic Sluicing Company No Liability ..	M7899
Home Rule Gold Mining Company No Liability ..	M7824	Arthurs Creek North Gold Mining Company No Liability ..	M7900
Rams Horn Company No Liability ..	M7825	The Mansfield Phosphate Rock Company No Liability ..	M7901
The Fans Amalgamated Mining Company No Liability ..	M7826	Black Range Mining Company No Liability ..	M7902
Victoria Silver Lead Mining Company No Liability ..	M7827	Amphitheatre Gold Dredging Company No Liability ..	M7903
The Mikado Gold Mining Company No Liability ..	M7828	Sailors Falls Gold Mines No Liability ..	M7904
Balmers United Gold Mining Company No Liability ..	M7829	The Kapunda Copper Mines No Liability ..	M7905
White Rock Hydraulic Tin Sluicing Company No Liability ..	M7830	Carshalton Gold Mining Company No Liability ..	M7907
The Golden Top Gold Mining Company No Liability ..	M7831	Flagstaff Company No Liability ..	M7908
Caledonia Reward Gold Mining Company No Liability ..	M7832	Marong Goldfields Alluvial Company No Liability ..	M7909
The Caledonia Great Southern Gold Mining Company No Liability ..	M7833	Rising Moon Company No Liability ..	M7910
Corio Hydraulic Sluicing Company No Liability ..	M7834	The Summer Hill Tin Dredging Company No Liability ..	M7911
Black Creek Gold Mining Company No Liability ..	M7836	The Toongabbie Marble Company No Liability ..	M7912
Trawalla Leads Mining Company No Liability ..	M7837	Muhthausen Gold Mining Company No Liability ..	M7913
Story Creek Tin Mines No Liability ..	M7838	The Southern Garden Gully & Deborah Company No Liability ..	M7914
Dry Diggings Gold Mining Company No Liability ..	M7839	The New Chum Extended Mining Company No Liability ..	M7915
Burnt Creek Hydraulic Sluicing Company No Liability ..	M7840	The Bendigo Goldfield Proprietary Company No Liability ..	M7916
Argyle Hill Hydraulic Sluicing Company No Liability ..	M7841	Olinda Gold Mining Company No Liability ..	M7917
The Birds Reef Gold Mining Company No Liability ..	M7842	South Bendigo Gold Mining Company No Liability ..	M7918
Eurobin Gold Dredging Company No Liability ..	M7843	St. John's Gold Mining Company No Liability ..	M7920
Yandoit United Gold Mining Company No Liability ..	M7844	South Nell Gwynne Gold Mining Company No Liability ..	M7921
Border Tin Sluicing Company No Liability ..	M7845	Pitcher's Reef & Swiss Mount Gold Mines No Liability ..	M7922
The Caledonian Star Gold Mines Company No Liability ..	M7846	Bismark Gold Mining Company No Liability ..	M7923
Empress of India Gold Mining Company No Liability ..	M7847	New Extended Coal Mining Company No Liability ..	M7924
Hampshire Hill Tin Mining Company No Liability ..	M7848	Mount Camel Copper Mining Company No Liability ..	M7925
Reedy Creek Gold Mining Company No Liability ..	M7849	South One Tree Hill Gold Mining Company No Liability ..	M7926
North Port Arthur Gold Mining Company No Liability ..	M7850	Bourkes Hill Tin Sluicing Company No Liability ..	M7927
Caledonia North Fifth Hill Gold Mining Company No Liability ..	M7851	Champion Hill Consolidated Gold Mines No Liability ..	M7928
The New Wooragee Hydraulic Dredging Company No Liability ..	M7852	The Altona and Morwell Coal Development and Option Company No Liability ..	M7929
Star of Hope Gold Mining Company No Liability ..	M7853	Napoleon Gold Mining Company No Liability ..	M7930
Melbourne Narlala Mining Company No Liability ..	M7854	The North Frederick the Great Gold Mining Company No Liability ..	M7931
Waverley Gold Mining Company No Liability ..	M7855	Bruce's Gold Mines Company No Liability ..	M7932
Waanyarra Gold Mining Company No Liability ..	M7856	New Leicester Gold Mining Company No Liability ..	M7933
Nuggetty Ajax South Gold Mining Company No Liability ..	M7857	The Cumberland Mine No Liability ..	M7935
Wilberforce Gold Dredging Company No Liability ..	M7859	Banket Reef Development Company No Liability ..	M7936
Mackays Quartz Gold Mining Company No Liability ..	M7860	May Day Gold Mining Company No Liability ..	M7937
Kia Ora Company No Liability ..	M7861	Northern Territory Minerals Concession Syndicate No Liability ..	M7938
Berrigama Tin Mines Company No Liability ..	M7862	Peters Gully Gold Mining Company No Liability ..	M7939
Marvel Loch Gold Silver Lead and Copper Mining Company No Liability ..	M7863	South Bruhns Company No Liability ..	M7940
Central Goldfields Company No Liability ..	M7865	The Bendigo Star Gold Mining Company No Liability ..	M7941
Pyrenees Gold Dredging Company No Liability ..	M7866	South Flora Hill Gold Mining Company No Liability ..	M7942
The Tanjil River Hydraulic Sluicing Company No Liability ..	M7867	Arthur's Creek South Gold Mining Company No Liability ..	M7943
Mount Lyell Consols Mining Corporation No Liability ..	M7868	Golden Dyke West Gold Mining Company No Liability ..	M7944
North Ajax Company No Liability ..	M7869	The Melville Star Gold Mining Company No Liability ..	M7945
New Pioneer Quartz Mining Company No Liability ..	M7870	New Star Gold Mining Company No Liability ..	M7946
The Beaufort Dredging Proprietary Company No Liability ..	M7871	Adelaide Company No Liability ..	M7947
Scarsdale Hydraulic Sluicing Company No Liability ..	M7872	Black Creek Mining Company No Liability ..	M7948
Port Arthur No. 1 Gold Mining Company No Liability ..	M7874	Southern Ajax Gold Mines No Liability ..	M7949
Bromleys Reef Gold Mines No Liability ..	M7875		
The Melbourne Mines Syndicate No Liability ..	M7877		

Name of Company.	Number of Registration.	Name of Company.	Number of Registration.
Dunns Homeward Bound Gold Mine No Liability	M7950	The Hampden South Consols Cloncurry No Liability	M8021
Tintalra Silver Lead Mining Company No Liability	M7951	Prince of Wales Gold Mines No Liability	M8022
New Wyengatta Gold Mining Company No Liability	M7953	Derby Copper Mines Syndicate No Liability	M8023
The Crescent Gold Mining Company No Liability	M7954	The Mount Bowen Copper Mining Company No Liability	M8024
The Moonlight Gully Gold Mining Company No Liability	M7955	Golden Hill Gold Mining Company No Liability	M8025
Alpine Gold Mining Company No Liability	M7956	Victorian Associated Mines No Liability	M8026
Tommy Dodd Gold Mining Company No Liability	M7957	North First Chance Company No Liability	M8027
Clare Gold Mining Company No Liability	M7958	Western River Silver and Lead Mining Company No Liability	M8028
The Percydale Proprietary Company No Liability	M7959	Blayne Copper Mines and Smelting Company No Liability	M8029
Australasian Shale and Oil Company No Liability	M7960	New Langridge Gold Mining Company No Liability	M8030
Lord Nelson Extended Gold Mining Company No Liability	M7961	Black Range North Gold Mining Syndicate No Liability	M8031
Ovens Junction Bucket Dredging Company No Liability	M7962	Oriental Gold Mining Company No Liability	M8033
The South New Chum Mining Company No Liability	M7963	Melbourne Cloncurry Prospecting Company No Liability	M8034
Jubilee Lake Gold Mining Company No Liability	M7964	Swiss Reef Gold Mining Company No Liability	M8035
Empress of India Extended Gold Mining Company No Liability	M7965	Keep It Dark Gold Mining Company No Liability	M8036
North Excelsior Proprietary Tin Mining Company No Liability	M7966	Port Arthur Extended Gold Mining Company No Liability	M8037
Pioneer Gold Mining Company No Liability	M7967	North Dry Diggings Gold Mining Company No Liability	M8038
Caledonian Gully Hydraulic Sluicing Company No Liability	M7968	Adams Reef Company No Liability	M8039
South Victorian Cornish Gold Mining Company No Liability	M7969	Forbes Carshalton Gold Mining Company No Liability	M8040
Old Jubilee Gold Mines No Liability	M7970	The Premier Options and Development Company No Liability	M8041
Barrambie South Gold Mining Company No Liability	M7971	Beltana Copper Mines No Liability	M8042
Elliott Tin Mining and Sluicing Company No Liability	M7972	Great Northern Copper Mining and Smelting Company No Liability	M8043
Stannum Lode Tin Mining Company No Liability	M7973	The Stirling Amalgamated Company No Liability	M8044
The Great Eastern Mining Company No Liability	M7974	The Goulburn Copper Development Company No Liability	M8045
Gordon Syndicate No Liability	M7975	Abels Reef Gold Mining Company No Liability	M8046
Balmers United North Gold Mining Company No Liability	M7976	North Rice's Freehold Gold Mining Company No Liability	M8048
The Bendigo City Gold Mining Company No Liability	M7977	New Corinella Gold Mining Company No Liability	M8049
The Omeo A.M.A. Prospecting Mining Company No Liability	M7978	North Argyle Gold Mining Company No Liability	M8050
Pons Tin Dredging Company No Liability	M7979	South Sailors Falls Gold Mining Company No Liability	M8051
Maid of Athens Gold Mining Company No Liability	M7980	Poseidon Gold Mining Company No Liability	M8052
New Warden Gold Mining Company No Liability	M7981	The North Mikado Gold Mining Company No Liability	M8053
Mount Moore Block Mining Company No Liability	M7982	Marvel Loch Gold Mining Company No Liability	M8054
South Ophir Dredging and Quartz Mining Company No Liability	M7983	Welsh and Slater Gold Mining Company No Liability	M8055
Pitchers South Gold Mining Company No Liability	M7984	Wheel Ellen Gold Mining Company No Liability	M8056
Hydro-Electric & Mineral Co. No Liability	M7985	Mount Cuthbert No Liability	M8057
Grey Horse & Dimocks Consolidated Gold Mining Company No Liability	M7986	The Shakespeare Reef Gold Mining Company No Liability	M8058
Australian Deep Leads No Liability	M7987	The Beenak Proprietary Tin Mining Company No Liability	M8059
The Nicholson River Gold Dredging Company No Liability	M7988	British Lion Gold Mining Company No Liability	M8060
The Cockatoo Reef Gold Mining Company No Liability	M7989	North St. John's Gold Mining Company No Liability	M8061
Gladstone Gold Mining Company No Liability	M7990	Grampians Sluicing Company No Liability	M8062
Black Range Kohinoor Mining Company No Liability	M7991	Mons Meg Gold Mines No Liability	M8063
Frenchman's Reef Gold Mines No Liability	M7992	Harrierville Star Bucket Dredging Company No Liability	M8064
Mount Hope Copper Mines Company No Liability	M7993	Gelantipy Silver Mines No Liability	M8065
New Staffordshire Reef Gold Mines No Liability	M7994	South Steeles Company No Liability	M8066
Broken Hill Lead and Zinc Mining Company No Liability	M7995	Blackwood Gold Mining Company No Liability	M8067
South Bromleys Company No Liability	M7996	Australian Minerals Association No Liability	M8068
Gordon Gold Mines No Liability	M7997	Wheat Dorey Gold Mines Consolidated No Liability	M8069
The Christmas Ajax Gold Mining Company No Liability	M7999	The Leviathan Gold Mining Company No Liability	M8070
Spring Creek Gold Mining Company No Liability	M8000	Mount Corryjong Copper and Gold Mines No Liability	M8071
William Tell Gold Mines No Liability	M8001	New Rice's Freehold Gold Mining Company No Liability	M8072
Yorkshire Hill Company No Liability	M8002	The Parkin's Reef Gold Mines No Liability	M8073
South Dry Diggings Gold Mining Company No Liability	M8003	Old William Tell & Last Chance Gold Mining Company No Liability	M8074
Connell's Freehold Gold Mining Company No Liability	M8004	Pleasant Creek Alluvial Mining Company No Liability	M8075
Deep Creek Copper and Gold Mines No Liability	M8005	Craigie Bog Bucket Dredging Company No Liability	M8077
Celestial Copper and Options No Liability	M8006	Welsh and Slater's North Gold Mining Company No Liability	M8078
The Emu Gold Mining Company No Liability	M8007	Excelsior Tailings Gold Mining Company No Liability	M8079
Australian Proprietary Gold Dredging Company No Liability	M8008	Thornton's Reward Company No Liability	M8080
Ajax Number One Gold Mining Company No Liability	M8009	Mount Clarence Copper Mining Company No Liability	M8081
Sewell's Dredging Company No Liability	M8010	Victoria Bucket Dredging Company No Liability	M8082
Fox's Sluicing and Mining Company No Liability	M8011	Burgoyne Gold Mining Company No Liability	M8083
Callington Copper Mining Company No Liability	M8012	West Mutooroo Copper Mines No Liability	M8084
The Crawl Creek Shuttleton Mines No Liability	M8013	Black Cloud Antimony Mining Company No Liability	M8085
Junction Reefs Company No Liability	M8014	Avoca Proprietary Dredging Syndicate No Liability	M8086
Mariners Reef Gold Mining Company No Liability	M8015		
Port Arthur Consols Company No Liability	M8016		
Black Jack Gold Mining Company No Liability	M8018		
Cameron's Ajax Gold Mining Company No Liability	M8019		
South Florence Gold Mining Company No Liability	M8020		

Name of Company.	Number of Registration.	Name of Company.	Number of Registration.
New Yam Holes Dredging Company No Liability	M8087	Mudies Patent Gold Saver Company No Liability	M8149
New Beaufort Proprietary Dredging Company No Liability	M8088	Western River Silver and Lead Company No Liability	M8150
Cookmans South Gold Mining Company No Liability	M8089	Golden Treasure Mining Company No Liability	M8151
The Perseverance Gold Mining Company No Liability	M8090	New All England Gold Mining Company No Liability	M8152
The New Lucks All Gold Mining Company No Liability	M8091	Jubilee Extended Quartz Mining Company No Liability	M8153
The Aberfeldie Gold Mining Company No Liability	M8092	Canico Gold Mining Company No Liability	M8154
Golden Eagle Gold Mining Company No Liability	M8093	Little Nell Gold Mining Company No Liability	M8155
Great Britain Tin & Gold Mines No Liability	M8094	The Sailor's Falls Lead No Liability	M8156
The Sugarloaf Copper Development Company No Liability	M8095	Broadford Gold Mining Company No Liability	M8157
Central Port Arthur Gold Mining Company No Liability	M8096	New Jersey Reef Company No Liability	M8158
Main Creek Tin Sluicing Company No Liability	M8097	Germanton Silver Lead Mining Company No Liability	M8159
Currawong Copper Option Company No Liability	M8098	Wangrabelle Gold & Silver Mining Company No Liability	M8160
Victoria Extended Gold Mining Company No Liability	M8099	Burdekin Silver Lead & Copper Company No Liability	M8161
Heathcote Junction Hydraulic Sluicing Company No Liability	M8100	The Tarnagulla Quartz Mining Company No Liability	M8162
Mount Waratah Extended Mining Company No Liability	M8101	The Great Jyke Gold Mining Company No Liability	M8163
Tipperary Gold Dredging Company No Liability	M8102	Caledonia Gold Mines No Liability	M8165
Freeburgh Gold Dredging Company No Liability	M8103	Kamarooka Gold Mining Company No Liability	M8166
Lang Logan Gold Mines No Liability	M8104	The Annie Laurie Gold Mining Company No Liability	M8167
New Tysons Gold Mining Company No Liability	M8105	The Porcupine Gold Mining Company No Liability	M8168
Lyndhurst Gold Mining Company No Liability	M8106	Berry and Central Leads Gold Mining Company No Liability	M8170
Pitfield Plateau Extended Mining Company No Liability	M8107	Laura Gold and Antimony Mines No Liability	M8171
Empress Antimony and Gold Mining Company No Liability	M8108	Sunnyside Prospecting Company No Liability	M8172
Great Long Tunnel Mines No Liability	M8109	Madam Dobson Gold Mining Company No Liability	M8173
Hydro-Electric Power and Mines Corporation No Liability	M8110	King Island Mining Company No Liability	M8174
Anglo-Australasian Mines Concessions No Liability	M8111	The Axe Creek Gold Mining Company No Liability	M8175
The Ashburton Copper Silver & Gold Mining Company No Liability	M8112	New North Beehive and Derby Gold Mines No Liability	M8176
The Valentine Copper & Silver Mining Company No Liability	M8113	Melbourne Coolgardie Main Ore Channel Company No Liability	M8179
H.S. Syndicate No Liability	M8114	The Mount Vowen Copper Development Company No Liability	M8180
Lord & Co. Prospectors No Liability	M8115	South Poseidon Gold Mining Company No Liability	M8181
Castlemaine Deep Levels Prospecting Company Limited	M8116	The Adelong Creek Development Company No Liability	M8182
Jirakee Hydraulic Syndicate No Liability	M8117	The Tewksbury Amalgamated Gold Dredging Company No Liability	M8183
The Mount Wells Gold and Gems Company No Liability	M8118	The Australian and Pacific Mining Exploration Company No Liability	M8184
The Mount Wells Extended Gold and Gems Company No Liability	M8119	Lady Rose Gold Mining Company No Liability	M8185
No. 1 Creek Gold Dredging Company No Liability	M8120	South Langdon Gold Mining Company No Liability	M8186
The Poseidon Proprietary Gold Mining Company No Liability	M8121	Tanjil Giant Gold Dredging Company No Liability	M8187
Lanes Reef Gold Mining Company No Liability	M8122	Mount Godkin Consolidated Copper Mines No Liability	M8188
The Spring Creek Tin Dredging Company No Liability	M8123	Avoca Gold Dredging Company No Liability	M8189
New Adams Reef Company No Liability	M8124	Sailor's Hill Gold Sluicing Company No Liability	M8190
Thomson River Copper and Platinum Syndicate No Liability	M8125	Toora Tin Mining Company No Liability	M8191
Werribee Park Estate Coal Proprietary Company No Liability	M8126	The Murchison River Silver & Lead Mining Company No Liability	M8192
Rice's No. 1 Gold Mining Company No Liability	M8127	The North Langdon Mining Company No Liability	M8193
New West Muturoo Copper Mines No Liability	M8128	The Twins Gold Mining Company No Liability	M8194
Great Extended Garden Gully Gold Mining Company No Liability	M8129	Thomson River Copper and Platinum Company No Liability	M8195
North Egerton and Gordons Mining Company No Liability	M8130	New Chambers Gold Mining Company No Liability	M8196
The Newman Patent Gold Saving Company No Liability	M8131	Maldon United Gold Mining Company No Liability	M8197
The Flux Hill Copper Mines No Liability	M8132	The Bass Valley Coal Mining Company No Liability	M8198
Jubilee Extended Gold Mining Company No Liability	M8133	New Egerton Company No Liability	M8200
The George Reef Gold Mining Company No Liability	M8134	The Mullumbimby Manganese Mining Company No Liability	M8201
The Chryseis Dredging Syndicate No Liability	M8135	The Blue Rock Gold Mining Company No Liability	M8202
Mount Alice Silver and Copper Syndicate No Liability	M8136	Kangaroo Lead Gold Mining Company No Liability	M8203
Flagstaff Extended Company No Liability	M8137	Woah Hawp Canton Mines No Liability	M8204
Last Chance Mining Company No Liability	M8138	Cravens Gold Mines No Liability	M8205
North Peter's Gully Gold Mining Company No Liability	M8139	The Melton Gold Mining Company No Liability	M8206
North Victoria United Mining Company No Liability	M8141	The Charlton Enterprise Alluvial Gold Mining Company No Liability	M8207
Corinnella Long Tunnel Gold Mining Company No Liability	M8142	Mount Arthur Mines No Liability	M8208
Bell's Hill Tin Mines No Liability	M8143	Commonwealth Minerals Company No Liability	M8209
Golden View Gold Mining Company No Liability	M8144	Australasia Shale and Oil Company No Liability	M8210
Sungei Raja Tin Mines No Liability	M8145	Bannockburn Quartz Gold Mining Company No Liability	M8211
Glear Creek Gold Mining Company No Liability	M8146	Moonlight Lead Gold Mining Company No Liability	M8212
The Murchison River Silver & Lead Mine No Liability	M8147	Great Unknown Gold Mines No Liability	M8213
Empire Copper Corporation No Liability	M8148	Phoenix Jubilee Gold Mining Company No Liability	M8214
		Cockburns Mount Gobur Gold Mining Company No Liability	M8215
		Mount Clifton Tin Dredging Company No Liability	M8216
		Reform Gold Mines No Liability	M8217
		The Tewksbury Proprietary Dredges No Liability	M8218

Name of Company.	Number of Registration.	Name of Company.	Number of Registration.
New Madame Berry Gold Mining Company No Liability	M8219	The Wallendibby Diamond Mines No Liability	M8300
Reliance Gold Sluicing Company No Liability	M8220	New Golden Hill Gold Mining Company No Liability	M8301
Lady Peacock Gold Mining Company No Liability	M8221	Nicholson River Gold Mining Company No Liability	M8302
The Palmer River Gold Mining Company No Liability	M8222	The Goldsmith Gold Mining Company No Liability	M8303
Horse Shoe Gold Mines No Liability	M8223	British Queen Gold Mining Company No Liability	M8304
The Perseverance Gold Mining Company No Liability	M8224	Olarly Silver Lead Mines No Liability	M8305
Buckland Star Bucket Dredging Company No Liability	M8225	Balfour Consolidated Copper Mines No Liability	M8306
New Black Horse Mining Company No Liability	M8226	The Mount Beresford Mining Company No Liability	M8307
Nobels Creek Gold Mining Company No Liability	M8227	North New Jubilee Company No Liability	M8308
Tingha Lode Tin Mining Company No Liability	M8228	Cullinan Gold Mining Company No Liability	M8309
Racehorse Bucket Dredging Company No Liability	M8229	Lambing Flat Gold Estates No Liability	M8310
The Stawell Mining Company No Liability	M8230	New Bruce Gold Mining Company No Liability	M8311
The Pyrenees Proprietary Gold Mining Company No Liability	M8231	Collegian Bucket Dredging Company No Liability	M8312
The New Long Thought of Gold Mining Company No Liability	M8232	Lower Burmah Exploration Company No Liability	M8313
White Star Gold Mining Company No Liability	M8233	New Adelaide Company No Liability	M8314
The Aberfeldy Gold Mines No Liability	M8235	Mount Egerton Mining Company No Liability	M8315
New Nuggety Quartz Mining Company No Liability	M8236	South Kinglock Gold Mining Company No Liability	M8316
Lord Dudley Gold Mining Company No Liability	M8237	New Argyle Gold Mining Company No Liability	M8317
Option Purchase Company No Liability	M8238	North Beehive Gold Mining Company No Liability	M8318
Homeland Gold Mining Company No Liability	M8239	Prince of Wales Gold Mining Company No Liability	M8319
Davidson's Reward Mining Company No Liability	M8240	Tasmanian Tailings No Liability	M8320
Victorian Barytes Mining Company No Liability	M8241	Border City Gold Mining Company No Liability	M8321
Mount Lyell Consols Copper Mines No Liability	M8242	New Plenty Gold Mining Company No Liability	M8322
Gladstone Gold Mining Company No Liability	M8243	Seymour Gold Mining Company No Liability	M8323
Etheridge Gold Mines No Liability	M8244	Mount Balfour Mines No Liability	M8324
Kinglock Gold Mining Company No Liability	M8245	Last Hope Gold Mining Company No Liability	M8325
Christensen's Ajax Gold Mining Company No Liability	M8246	The Long Tunnel Jubilee & Victory Gold Mines No Liability	M8326
Beehive Gold Mining Company No Liability	M8247	The Nuggety Ajax South Gold Mining Company No Liability	M8327
Mia Mia Gold Mining Company No Liability	M8248	Tanami Goldfields Prospecting Company No Liability	M8330
La Mascotte Tin Dredging Company No Liability	M8249	Homeward Bound and Klondyke Gold Mines No Liability	M8331
Victorian Central Coal and Iron Mines No Liability	M8250	Balfour South Copper Mines No Liability	M8332
The Australian Brown Coal Mines No Liability	M8251	South Berry Gold Mining Company No Liability	M8333
Riverina Gold Mines No Liability	M8252	The Waverley Tin Mining Company No Liability	M8334
St Helena Deep Lead Gold Mines No Liability	M8253	Mountain Queen Gold Mining Company No Liability	M8335
Temby Tanami Prospecting and Mining Company No Liability	M8255	Elliott Reward Copper Mining Company No Liability	M8336
Mount Balfour Copper Mines No Liability	M8256	New Good Hope Consolidated Gold Mines No Liability	M8337
Bonnie Jean Quartz Mining Company No Liability	M8257	Malay and Siam Tin and Gold Mining Company No Liability	M8338
Golden Gate Gold Mining Company No Liability	M8258	F.G.D. Copper Mining Company No Liability	M8339
The North Otago Gold Mining Company Maldon No Liability	M8259	Magenta Gold Mining Company No Liability	M8342
The South African Gold Dredging Syndicate No Liability	M8260	The Brooklyn Gold Mining Company No Liability	M8343
Star of the East Quartz Mining Company No Liability	M8262	Great Pyramid Extended Tin Mines No Liability	M8344
The Agnes Cookman Gold Mining Company Maldon No Liability	M8263	Easter Monday South Gold Mining Company No Liability	M8345
Pioneer Otago Gold Mining Company No Liability	M8264	Mansfields Company No Liability	M8346
Port Arthur Gold Mining Company No Liability	M8265	Langi Logan North Gold Mining Company No Liability	M8347
Mother Goose Gold Mining Company No Liability	M8266	Cathcart Margaret Gold Mining Company No Liability	M8348
Otago Boulder Gold Mining Company No Liability	M8267	Mount Balfour Pioneers No Liability	M8349
Gympie Company No Liability	M8269	Mount Balfour Prospecting and Mining Company No Liability	M8350
Plenty Gold Mining Company No Liability	M8270	The Dudley Collieries Company No Liability	M8351
West Wyengatta Gold Mining Company No Liability	M8271	Homebush United Gold Mining Company No Liability	M8352
New Berry and Central Leads Gold Mining Company No Liability	M8272	Mount Balfour Extended Copper Mines No Liability	M8353
Locks New Find Gold Mining Company No Liability	M8273	Opas Cyaniding Company No Liability	M8354
North West Jubilee Company No Liability	M8274	Relay Reef Gold Mining Company No Liability	M8355
North Mount Balfour Copper Mines No Liability	M8276	King Island State Proprietary Limited	M8356
South Madame Barry Gold Mining Company No Liability	M8277	Langi Logan Extended Gold Mines No Liability	M8357
Hans United Gold Mining Company No Liability	M8278	North Langi Logan Extended Gold Mining Company No Liability	M8358
Tonkgah Government Compound Concession Company No Liability	M8280	The Mount Balfour Proprietary Copper Mines No Liability	M8359
Alpine Extended Gold Mining Company No Liability	M8281	Balfour Premier Copper Mines No Liability	M8360
The Malaya Tin Dredging Proprietary No Liability	M8283	Central Mount Balfour Copper Mines No Liability	M8361
Admiral Sperry Gold Mining Company No Liability	M8284	Foster Tanami Exploration and Mining Company No Liability	M8362
The Camerons Ajax Mining Company No Liability	M8285	North Ballarat Alluvial and Quartz Gold Mining Company No Liability	M8366
Quinn's Mining Company No Liability	M8286	Langi Logan West Gold Mining Company No Liability	M8367
Peel River Gold Dredging Association No Liability	M8287	Black Horse Consolidated Mines No Liability	M8368
Ascot Gold Mining Company No Liability	M8288	Balfour Blocks Copper Mines No Liability	M8369
The Siam Kedah Exploration Company No Liability	M8290	Mount Copeland Gold Mining Company No Liability	M8371
Great Poseidon Alluvial Gold Mining Company No Liability	M8291	The South Murray Balfour Copper Company No Liability	M8372
The Swiss Mount Quartz Mining Company No Liability	M8292	The Mynpachts Gold Dredging Company Limited	M8373
Alpine South Gold Mining Company No Liability	M8294	Taylor's Hill Alluvial Gold Mining Company No Liability	M8374
New Dry Diggings Company No Liability	M8295	The Elbeshausen Gold Mining Company No Liability	M8375
Victory Tin Mining Company No Liability	M8296		
Old Florence Gold Mining Company No Liability	M8297		
New Florence Gold Mining Company No Liability	M8298		
Pitchers Reef Gold Mining Company No Liability	M8299		

Name of Company.	Number of Registration.	Name of Company.	Number of Registration.
Tarilta Gold Mining Company No Liability	M8376	Bendigo Dredging Company No Liability	M8449
Balfour Mines Development Company No Liability	M8378	Nuggetty Extended No. 1 Gold Mining Company No Liability	M8450
New Indicator Gold Mining Company No Liability	M8379	Sandhurst Tailings Company No Liability	M8451
Woah Hawp Consols Gold Mining Company No Liability	M8380	Early Bird Mining and Development Company No Liability	M8452
The Britannia Tin Mining Company No Liability	M8381	Nuggetty Gully Quartz Mining Company No Liability	M8453
West Excelsior Mining Company No Liability	M8383	Roper-Maroomba Company No Liability	M8454
The Lake Kerford Gold Mines Limited	M8384	Taflock's Sorakai Mines No Liability	M8456
Langi Logan Quartz Gold Mining Company No Liability	M8385	Fairy Streak Gold Mining Company No Liability	M8457
Mantons Mining Company No Liability	M8386	Stoney Creek Gold and Silver Mines No Liability	M8458
Woolamai Colliery No Liability	M8389	The Boolman Prospecting Syndicate No Liability	M8460
Isis Gold Mining Company No Liability	M8390	Hobson's Gold Mining Company No Liability	M8461
The Galatea Gold Mining Company No Liability	M8391	The Maroomba Venture Prospecting and Mining Company No Liability	M8462
North Gippsland Prospecting Syndicate No Liability	M8392	New Canico Gold Mines No Liability	M8463
Reward Gold Mining Company No Liability	M8393	The Mountain Chief Gold Mining Company No Liability	M8464
Balfour Anaconda Copper Mines No Liability	M8394	Maintongoon Gold Mining Company No Liability	M8465
The Balfour-Greenwood Mines Syndicate No Liability	M8395	The Mount Bismarck Wolfram Mining Company No Liability	M8466
Anderson Gold Mines No Liability	M8396	Jubilee Consolidated Gold Mines Syndicate No Liability	M8467
Great Pyramids Copper and Gold Mines No Liability	M8397	The Stawell Gold Recovery Company No Liability	M8468
Taflock's Sorakai Tin Mines No Liability	M8398	Frenchman's Reef South Gold Mines No Liability	M8469
Stanley Reward Tin Mining Company No Liability	M8399	Brisbane Ranges Gold Mining Company No Liability	M8470
Hindu Choung Tin Dredging and Mining Company No Liability	M8400	The Victorian Araluen Dredging Company No Liability	M8471
Glenmona Company No Liability	M8401	Reform Dredging Company No Liability	M8472
Victorian Mount Werong Mining Company No Liability	M8402	Upper Mitta Mitta Alluvial Gold Mining Syndicate No Liability	M8473
Mount Stewart Mines No Liability	M8403	Harwood's Reward Gold Mining Company No Liability	M8474
The Eskdale Bucket Dredging Company No Liability	M8404	The George Tin Mining Syndicate No Liability	M8475
Jingallala Mining Company No Liability	M8405	The Bicheno Mining Syndicate No Liability	M8476
Green Stone Prospecting and Gold Mining Syndicate No Liability	M8406	New Seymour Gold Mining Company No Liability	M8478
Australian Prospecting and Mines Options Company No Liability	M8407	Savage's Gold Mining Option Company No Liability	M8479
Golden Horn Gold Mining Company No Liability	M8408	Harry Lauder Gold Mining Company No Liability	M8481
Victorian Miners Development Company No Liability	M8409	The Mosquito Creek Prospecting and Options Company No Liability	M8482
The Star and Thomson Gold Mining Company No Liability	M8410	Malmsbury and Drummond Prospecting Syndicate No Liability	M8483
New Jubilee Extended Company No Liability	M8411	Walker's Reef Company No Liability	M8484
Try Again Gold Mining Company No Liability	M8412	Mauritius and Frenchman's Gold Mines No Liability	M8486
Golden Dyke Mining Company No Liability	M8413	King Parrot Gold Mining Company No Liability	M8487
Walhalla Gold Mines No Liability	M8414	North Frenchman's Reef Gold Mining Company No Liability	M8489
Enfield Alluvial Gold Mining Company No Liability	M8415	Victorian Chaffinch Gold Mining Company No Liability	M8492
The Gragin Alluvial Tin Mining Company No Liability	M8416	North Harry Lauder Gold Mining Company No Liability	M8493
Mount Balfour Number 2 Copper Mines No Liability	M8417	The Scamander Copper Mines No Liability	M8494
Kia Ora Gold Extraction and Mining Company No Liability	M8418	Mountain Queen Consols Gold Mines No Liability	M8495
Megalong Coal and Shale Corporation No Liability	M8421	Commonwealth Prospecting Company No Liability	M8496
The Tasmanian Shale and Oil Company No Liability	M8424	Garden Gully Consols Gold Mines Company No Liability	M8497
New Yarrooee Dredging Company No Liability	M8425	Guilford Bucket Dredging Company No Liability	M8498
Urapunga Prospecting Association No Liability	M8426	The Great Finch Gold Mining Company No Liability	M8499
The Tommy Dodd Gold Mining Company No Liability	M8427		
North Woolamai Colliery Company No Liability	M8428		
Mount Maroomba Prospecting Company No Liability	M8429		
Berry United Gold Mining Company No Liability	M8430		
The New Nick O'Time Gold Mining Company No Liability	M8431		
Northern Territory Mines and Exploration Company No Liability	M8432		
George's Reef Gold Mining Company No Liability	M8433		
Woolshed Valley Sluicing Company No Liability	M8434		
Latrobe Shale and Oil Company No Liability	M8435		
Defiance Gold Mining Company No Liability	M8436		
Mount Maroomba Exploration Syndicate No Liability	M8437		
New Caledonia Gold Mining Company No Liability	M8439		
The Northern Territory Gold Dredging Syndicate No Liability	M8440		
Maryvale Extended Coal Mining Company No Liability	M8441		
The Mining and Treatment Company of Victoria No Liability	M8442		
The Mount Lyell Blocks Copper Mines No Liability	M8443		
Macarthur Petroleum Oil Syndicate No Liability	M8444		
Cromwell Gold Mines Development Company No Liability	M8445		
The Devonport Oil and Shale Company No Liability	M8446		
North Golden Reefs Mining Company No Liability	M8447		
Wilton River and Mount Maroomba Exploration and Mining Company No Liability	M8448		

LAW DEPARTMENT.

CURATOR OF CONVICT'S PROPERTY.

HIS Excellency the Governor of the State of Victoria, by and with the advice of the Executive Council thereof, doth, by Order made on the 6th day of October, 1964, pursuant to the provisions of section 550 of the Crimes Act 1958, commit the custody and management of the property of the convict, William Andrew Muir, to Mary Elizabeth Muir, of 7 Faye-street, Moorabbin, as a Curator hereby appointed in that behalf.

J. COLQUHOUN,

Clerk of the Executive Council.

At the Executive Council Chamber,
Melbourne, 6th October, 1964.

LAW DEPARTMENT.

NOTICE OF APPOINTMENT OF OFFICIAL LIQUIDATOR.

NOTICE is hereby given that I, Arthur Gordon Rylah, Her Majesty's Attorney-General for the State of Victoria, being the Minister for the time being administering the Companies Act 1961 (No. 6839), under powers conferred by section 11 of the said Act, have appointed the person named hereunder to be an Official Liquidator for the purposes of the aforesaid Companies Act 1961.

Name of Appointee—

ROBERT FOSTER HUGHES, chartered accountant,
360 Collins-street, Melbourne, C.I.

Dated at Melbourne, this 7th day of October, 1964.

A. G. RYLAH,
Attorney-General.

AUCTION SALES ACT.

LIST of Persons to whom Auctioneers' Licences have been issued during the month of August, 1964, and prior months.

Name.	Address.	Date of Issue.
Astbury, Graeme Colin	2 Baker-street, Horsham	18.4.64
Christmas, Lloyd George	276 Elgar-road, Box Hill	19.8.64
Guy, Peter George	Woorinen-road, Swan Hill	7.4.64
Harfield, Jeffrey John Walter	156 Eighth-street, Mildura	28.8.64
Mahlook, Clarence Albert	16 Paul-street, Cheltenham	12.8.64
O'Reilly, Bernard Francis	58 Elgin-street, Morwell	25.8.64
*Robinson, David	29 Ballard-street, Kingsville	18.8.64
Sharp, Norman Clive	c/o Elder Smith and Co., Rokewood	7.4.64
Stenner, Frederick George	Finley, New South Wales	13.8.64
Thomas, Laurence Lindsay	101 Splatt-street, Swan Hill	7.4.64

* By transfer from K. C. Burns.

The Treasury,
Melbourne, C.2, 5th October, 1964.

E. W. COATES,
Director of Finance.

CONTRACTS ACCEPTED.—(Series 1964-65.)

FIREWOOD.

Period—From 1st October, 1964, to 30th September, 1965.

Item No.	Security.	Particulars.	Kinds of Firewood.	Rate per Cord of 128 cubic feet.	Name of Contractor.	Charge against Vote or Fund.
	£	FIREWOOD—		£ s. d.		
		Supply of Firewood, in such quantities as may be ordered, from 1st October, 1964, to 30th September, 1965, at the under-mentioned places.				
1	20	Ararat— For the various Government Offices, including Mental Hospital—				} General Expenses, 1964-65 and 1965-66.
	5	2-ft. billets	Redgum and Box	10 11 0	<i>A. Storti, Banfield-street, Ararat (A)</i>	
		1-ft. billets	" " " "	11 17 0		
1	3	Ballarat— For the various Government Offices, in 2-ft. billets	Gum, Peppermint, and Messmate	6 0 0	<i>H. O'Callaghan, 1119 Howitt-street, Ballarat (A)</i>	
2	25	For the Mental Hospital only, in 2-ft. billets	Gum, Peppermint, and Messmate	3 18 0		
3	25	For the Mental Hospital, in 5-ft. lengths	} Stringybark, Gum, and Peppermint	4 2 0	<i>W. P. Tuddenham and Sons, Ross Creek (A)</i>	
4	5	For the Gaol only, in 5-ft. lengths				
1	3	Beechworth— For the Mental Hospital and Government Offices, in 2-ft. billets	} Stringybark, Redgum, Red Box, Messmate, and Apple Box	6 10 0	<i>F. C. Jensen, Beechworth (A)</i>	
2	25	For the Mental Hospital, in 5-ft. lengths		4 2 0		
1	..	Sunbury— For Mental Hospital, in 2-ft. billets	Mixed Wood	Order from Forests Commission	

Where the name of the supplier is shown in italics, with the sign (A), no contract has been executed, and supplies are to be purchased from the persons named, under Tender Board Agreement.

6th October, 1964.

H. COUTTS,
Secretary to the Tender Board.

CONTRACTS ACCEPTED (Series 1964-65.)
REQUISITES FOR EDUCATION DEPARTMENT.
 SCHEDULE No. 1.

REQUISITES (JUNIOR SCHOOL) EDUCATION DEPARTMENT.

Contract from 1st September, 1964, to 31st August, 1965.

1964/1147.— <i>Art and Craft Supply Co. Pty. Ltd.</i>	Security, £100.
1964/1148.— <i>Belco Pty. Ltd.</i>	Security, £250.
1964/1149.— <i>W. and G. Dean Pty. Ltd.</i>	Security, £100.
1964/1150.— <i>Michael A. Dortheimer Pty. Ltd.</i>	Security, £50.
1964/1151.— <i>School Aids</i>	Security, £30.
1964/1152.— <i>Sands and McDougall Pty. Ltd.</i>	Security, £100.
1964/1153.— <i>Tomasetti and Son Pty. Ltd.</i>	Security, £100.

Where the name of the supplier opposite any item is shown in italics, with the sign (A), no contract has been executed nor security lodged, requirements of such items are to be purchased from the supplier named, under Tender Board Agreement.

Item No.	Description of Articles.	Rate.	Name of Contractor.
		£ s. d.	
1	Powder, colours in, 1-lb. cardboard boxes "Leighton" per box		
	Red	} 0 2 1	} W. and G. Dean Pty. Ltd.
	Blue		
	Yellow		
	Sea green		
	Purple		
	Turquoise		
	Orange		
	Leaf green		
	Black		
	White		
2	Brushes (hair), No. 8—		
	(a) ½" round per doz.	0 17 6	Art and Craft Supply Co. Pty. Ltd.
	(b) ½" flat "	0 12 6	Michael A. Dortheimer Pty. Ltd.
3	Newsprint, white, 15" x 11", in packets of 100 sheets per doz. packets	Obtain from Government Printer.
4	Chalkboards (Temper Plate), green, size 16" x 12" per doz.	1 5 9	Art and Craft Supply Co. Pty. Ltd.
5	Chalk, white, in boxes of 1 gross "Belco" per box	0 2 8	Belco Pty. Ltd.
6	Chalk, coloured, in boxes of 1 gross "Belco"—		
	(a) Yellow	0 5 9	} Belco Pty. Ltd.
	(b) Mixed—ratio per box as follows:—		
	24 sticks—Bright yellow		
	18 " Terracotta brown		
	24 " Orange		
	12 " Bright red	No. 80	
	12 " Blue	0 6 6	
	12 " Dark green	No. 52	
	18 " Leaf green	0 4 5½	
	12 " Purple		
	12 " Black		
7	Surface Paper, Squares, mixed colours in packets of 360 squares—		
	(a) 5" squares (pkt. of 360) per doz. packets	1 10 0	} Sands and McDougall Pty. Ltd.
	(b) 10" squares (pkt. of 360) "	6 1 0	
	Each packet of 360 squares to contain colours collated in the following ratio:—		
	60 squares each—Red, blue, yellow, sea green		
	20 " " Purple, turquoise, orange, leaf green		
	10 " " White, black, grey, brown		
8	Plain White Card, 4-sheet pasteboard—		
	(a) 8" squares in pkts. of 50	1 7 0	} Sands and McDougall Pty. Ltd.
	(b) sheets 20" x 12½" in pkts. of 50 sheets	5 2 0	
9	Scissors, Metal Kindergarten, No. 1093 per doz.	0 9 1	Tomasetti and Son Pty. Ltd.
10	Beads, Plastic, ½" coloured in boxes of 100 beads. Each box to contain 20 beads of the following colours:—Red, green, blue, yellow, white	1 10 0	} Art and Craft Supply Co. Pty. Ltd.
11	Laces, Plastic, for threading 20 beads ½". To be in equal numbers of colours, red, green, blue, yellow, white	0 7 5	
12	Tablets, Plastic, reversible, blue, yellow, 1" squares by ½" deep; in packets of 100	3 7 0	School Aids
13	Sticks, Plastic, Coloured, in packets of 100. Each packet to contain 20 sticks of the following colours:—Red, green, blue, yellow, white:—		
	(a) Size 2"	0 16 0	} Art and Craft Supply Co. Pty. Ltd.
	(b) Size 4"	1 8 0	
	(c) Size 6"	2 0 6	

CONTRACTS ACCEPTED—(Series 1964-65)—continued.

REQUISITES FOR EDUCATION DEPARTMENT.

SCHEDULE No. 2.

EXERCISE BOOKS AND REQUISITES, EDUCATION DEPARTMENT.

Contract from 1st September, 1964, to 31st August, 1965.

1964/1154.—W. J. Carr Pty. Ltd.	Security, £20.
1964/1155.—Corrugated Fibre Containers Pty. Ltd.	Security, £30.
1964/1156.—Alex Cowan (Australia) Pty. Ltd.	Security, £50.
1964/1157.—F. J. Every Pty. Ltd.	Agreement.
1964/1158.—William Irving	Security, £50.
1964/1159.—Modern Printing Co. Pty. Ltd.	Security, £5.
1964/1160.—R. E. Mustow	Security, £60.
1964/1161.—A. R. Pittock and Co.	Security, £20.
1964/1162.—Ponsford, Newman and Benson Ltd.	Security, £5.
1964/1163.—Redmond Inglis and Co. Pty. Ltd.	Agreement.
1964/1164.—Sands and McDougall Pty. Ltd.	Security, £60.
1964/1165.—R. B. Shankly Pty. Ltd.	Security, £25.
1964/1166.—Spiers (Aust.) Pty. Ltd.	Security, £10.
1964/1167.—Tomasetti and Son Pty. Ltd.	Security, £3.
1964/1168.—Visy Board Company Pty. Ltd.	Security, £25.

All supplies under this Schedule will be ordered by the Stores Officer, Education Department, and must be delivered as directed by him.

Item No.	Description of Articles	Rate	Name of Contractor
		£ s. d.	
1	Compasses, 4" legs	per doz. 0 7 0	Ponsford, Newman and Benson Ltd.
2	" wooden, 12" legs rubber tip	" 5 10 0	William Irving
3	Erasers, Blackboard, Felt	" 1 5 0	A. R. Pittock and Co.
4	Pastels, 12 in a box "Reeves" L12	per doz. 0 10 1	R. E. Mustow
5	Rulers, box flat, 12", marked in inches, eighths, and metric measures	per doz. 0 7 10	Tomasetti and Son Pty. Ltd.
6	Rulers, Blackboard, graduated	each 0 5 8	William Irving
7	Squares, set, 45°, 5" side, calibrated	per doz. 0 6 8	R. E. Mustow
8	" " 60°, 6" side, calibrated	" 0 6 8	
9	" " Blackboard 45°	each 0 4 6	William Irving
	" " " 60°	" 0 4 6	
10	" T. 18", oiled	per doz. 2 6 0	
11	" T. 24", oiled	" 2 8 0	
12	" T. 42", oiled	"	
13	Ink-wells (plastic), covered, to fit 1½" hole	per gross	Purchase (Clause 109)
14	Slate cloth, on rollers, 46" x 36"	each	
15	Protractors, Blackboard	0 5 4	William Irving
16	Forks, Tuning, "C", C.523/3, 125 c.m. length	" 0 8 6	F. J. Every Pty. Ltd. (A)
17	Books, Exercise, 4 sheet, foolscap quarto, 8" x 6½", plain sheet. Quality of the paper to be cream wove, 18 lb. large post 16½" x 21", 500 sheets to the ream, hard engine sized. Cover to be of white chip-board, green-marbled, 014-015, printed "Exercise Book, Grades I. and II.", and may bear a trade symbol	per gross 3 3 6	Sands and McDougall Pty. Ltd.
18	Books, Exercise, 6 sheet, size 9" x 7", with faint ruling 18 m.m. from line to line. (Quality of paper to be cream wove, 18 lb. large post 16½" x 21", 500 sheets to the ream, hard engine sized. Cover to be of white chip-board, 014-015 printed in green to an approved typographical design "Exercise Book, Grade III: with 18 m.m. rulings", and may bear a trade symbol	" 4 6 7	R. B. Shankly Pty. Ltd.
19	Books, Exercise, 6 sheet, size 9" x 7", with faint ruling 14 m.m. from line to line. Quality of paper to be cream wove 18 lb. large post 16½" x 21", 500 sheets to ream, hard engine sized. Cover to be of white chip-board 014-015 printed in green to an approved typographical design "Exercise Book, Grade IV: with 14 m.m. rulings" and may bear a trade symbol	" 4 6 6	Sands and McDougall Pty. Ltd.
20	Books, Exercise, 12 sheet, 1 section stapled, size 9" x 7", with faint ruling, 9 m.m. from line to line. Quality of paper to be cream wove, 18 lb. large post 16½" x 21", 500 sheets to ream, hard engine sized. Cover to be of white chip-board 014-015 printed in bronze blue to an approved typographical design "Exercise Book", and may bear a trade symbol	" 7 7 8	Alex Cowan (Australia) Pty. Ltd.
21	Books, Exercise, 24 sheet, size 9" x 7", section sewn, quarto bound, ruling, quality of paper and cover to be as prescribed for Item 20, cover to be printed "Exercise Book" and may bear a trade symbol	" 17 8 8	W. J. Carr Pty. Ltd.
22	Books, Exercise, Mapping, 8 sheet, 9" x 7", Burnie cream wove paper, plain cover to be of marble chip-board, printed "Exercise Book—Mapping", and may bear a trade symbol	" 5 6 10	Modern Printing Co. Pty. Ltd.
23	Books, Exercise, Science, 8 sheet, 9" x 7", quality of paper and cover to be as prescribed for Item 20, cover to be red, printed "Science Book". The leaves to be lithographed faint ruled on one side, and in tenths on the reverse side, the tenths to appear on the right hand side when the book is opened, the inch ruling to be slightly thicker to show the inch lines distinctly. Each page to contain 48 1" squares, 8 down, 6 across and may bear a trade symbol	" 8 19 7	Redmond Inglis and Co. Pty. Ltd.

CONTRACTS ACCEPTED.—(Series 1964-65.)—continued.

Item No.	Description of Articles.	Rate.	Name of Contractor.
24	Books, Drawing, line, 8 leaves, 10½" x 7½", stapled along longer side, white cartridge paper. Imperial, 56 lb., 480 sheets, smooth, wood free, opaque. Cover to be blue pressings, Quad Cap., 72 lb., 480 sheets, printed "Drawing Book", and may bear a trade symbol	per gross 3 16 8	Spicers (Aust.) Pty. Ltd.
25	Containers, cardboard, corrugated fibre, 16" x 12" x 12"	each ..	} Purchase (Clause 109)
26	Containers, cardboard, corrugated fibre, 12" x 12" x 12"	..	
27	Containers, cardboard, corrugated fibre, 12" x 9" x 12"	..	} Visy Board Company Pty. Ltd.
28	Containers, cardboard, corrugated fibre, 15" x 9½" x 12" No. 1 Board	0 1 6½	
29	Containers, cardboard, corrugated fibre, 15" x 9½" x 4"	..	} Purchase (Clause 109)
30	Containers, cardboard, corrugated fibre, 20" x 15" x 12" No. 1 Board	0 2 4½	
31	Containers, cardboard, corrugated fibre, 24" x 15" x 12" No. 1 Board	0 2 10	} Visy Board Company Pty. Ltd.
32	Containers, cardboard, corrugated fibre, 42" x 8" x 8" No. 1 Board	0 2 3½	

Approved—H. E. BOLTE, Treasurer. 22.9.64.

REQUISITES FOR EDUCATION DEPARTMENT.

Schedule No. 3 Chemicals for Science Classes for District High Schools and Higher Elementary Schools, &c.

Schedule No. 4 Requisites for Science Classes for District High Schools and Higher Elementary Schools, &c.

Schedule No. 5 Utensils and Requisites for Girls' Schools Cookery and Needlework Centres.

Requirements under the above-mentioned Schedules for the period from 1st September, 1964, to 31st August, 1965, are to be obtained in accordance with the provisions of Regulation 109, Part V., Public Accounts and Stores Regulations, 1958.

H. COUTTS,
Secretary to the Tender Board.

GENERAL STORES.

SCHEDULE No. 69.

STATIONERY, GENERAL.

Contract from 1st September, 1964, to 31st August, 1965.

1964/1169.—Andrew Jack Dyson and Co. Pty. Ltd.	Security, £5.
1964/1170.—Angus and Co. Pty. Ltd.	Security, £25.
1964/1171.—Arnold Ribbon Co.	Security, £10.
1964/1172.—Biro, Swan and Gollin Pty. Ltd.	Security, £50.
1964/1173.—Braham and Ross Pty. Ltd.	Security, £10.
1964/1174.—Caribonum Aust. Pty. Ltd.	Security, £50.
1964/1175.—Alex Cowan (Aust.) Pty. Ltd.	Security, £5.
1964/1176.—W. & G. Dean Pty. Ltd.	Security, £10.
1964/1177.—Michael Dortheimer Pty. Ltd.	Security, £10.
1964/1178.—Dunlopillo Pty. Ltd.	Agreement.
1964/1179.—Ellams Duplicator Co. (Melb.) Pty. Ltd.	Security, £30.
1964/1180.—Edwards Dunlop and Co. Ltd.	Security, £20.
1964/1181.—General Stationers Pty. Ltd.	Agreement.
1964/1182.—Clive Hogbin (Interstate) Pty. Ltd.	Security, £55.
1964/1183.—F. J. House Sales Pty. Ltd.	Agreement.
1964/1184.—John Jackson and Co. Pty. Ltd.	Security, £18.
1964/1185.—Jasco Pty. Ltd.	Security, £25.
1964/1186.—Mason Kolok Mfg. Co. Ltd.	Security, £100.
1964/1187.—Minnesota Mining and Manufacturing (Aust.) Pty. Ltd.	Security, £100.
1964/1188.—Thos. Mitchell and Co. Pty. Ltd.	Agreement.
1964/1189.—Modern Office Equipment Pty. Ltd.	Security, £30.
1964/1190.—R. E. Mustow	Security, £60.
1964/1191.—Ormiston Rubber Co. Pty. Ltd.	Security, £10.
1964/1192.—Perth Stationers	Security, £10.
1964/1193.—Sydney Pincombe Pty. Ltd.	Security, £200.
1964/1194.—Ponsford, Newman and Benson Ltd.	Security, £25.
1964/1195.—Ramsay and Hall Pty. Ltd.	Security, £20.
1964/1196.—Roneo Co. (Melbourne) Pty. Ltd.	Security, £60.
1964/1197.—Sands and McDougall Pty. Ltd.	Security, £100.
1964/1198.—Sellotape (Australia) Pty. Ltd.	Security, £25.
1964/1199.—Spicers (Australia) Pty. Ltd.	Security, £15.
1964/1200.—Stephens' Inks Pty. Ltd.	Security, £20.
1964/1201.—Tomasetti and Son Pty. Ltd.	Security, £12.
1964/1202.—Maurice E. Tye	Agreement.

CONTRACTS ACCEPTED.—(Series 1964-65.)—continued.

All supplies under this Schedule will be ordered by the Stores Officer, Education Department, and must be delivered as directed by him.

Item No.	Description of Articles.	Rate.	Name of Contractor.
SUB-SCHEDULE 'A.			
		£ s. d.	
1	Balances, Letter, with weights, $\frac{1}{2}$ oz. to 16 oz. .. each	2 10 6	R. E. Mustow
2	Bands, elastic, $0\frac{1}{2}$, $2'' \times \frac{1}{2}'' \times \frac{1}{32}''$, in boxes of 1 gross .. per box	0 1 7	Clive Hogbin (Interstate) Pty. Ltd.
3	" elastic, $00\frac{1}{2}$, $2\frac{1}{2}'' \times \frac{1}{2}'' \times \frac{1}{32}''$, in boxes of 1 gross .. "	0 1 10	
4	" elastic, $000\frac{1}{2}$, $3'' \times \frac{1}{2}'' \times \frac{1}{32}''$, in boxes of 1 gross .. "	0 2 1	Purchase (Clause 109)
5	" elastic, $0000\frac{1}{2}$, $3\frac{1}{2}'' \times \frac{1}{2}'' \times \frac{1}{32}''$, in boxes of 1 gross .. "	0 2 6	
6	" elastic, flat, $4\frac{1}{2}'' \times \frac{1}{2}'' \times \frac{1}{16}''$, in boxes of 1 gross .. "	0 15 6	Purchase (Clause 109)
7	" elastic, flat, $6'' \times \frac{1}{2}'' \times \frac{1}{16}''$, in boxes of 1 gross .. "	0 5 0	
8	" elastic, thread, grey, $1'' \times \frac{1}{16}'' \times \frac{1}{32}''$, in boxes of 1 gross .. per doz. boxes	0 5 3	Clive Hogbin (Interstate) Pty. Ltd.
9	" elastic, thread, grey, $1\frac{1}{2}'' \times \frac{1}{16}'' \times \frac{1}{32}''$, in boxes of 1 gross .. "	0 6 0	Purchase (Clause 109)
10	" elastic, thread, grey, $2'' \times \frac{1}{16}'' \times \frac{1}{32}''$, in boxes of 1 gross .. "	0 7 9	
11	" elastic, thread, grey, $3'' \times \frac{1}{16}'' \times \frac{1}{32}''$, in boxes of 1 gross .. "	0 2 6	Perth Stationers Modern Office Equipment Pty. Ltd.
12	Baskets, document, wire, foolscap .. each	0 7 9	
13	" waste paper, top 11" in diameter, bottom $8\frac{1}{2}''$ diameter, height $12\frac{1}{2}''$, metal, bucket type .. "	0 2 6	Purchase (Clause 109)
14	Books—Bibles, Church of England, Ruby .. "	0 4 0	
15	Binders, metal fasteners, with washers, No. 641, in boxes of 1 gross .. per box	0 4 3	Alex Cowan (Aust.) Pty. Ltd.
16	" metal fasteners, with washers, No. 642, in boxes of 1 gross .. "	0 5 0	Purchase (Clause 109)
17	" metal fasteners, with washers, No. 643, in boxes of 1 gross .. "	0 6 5	
18	" metal fasteners, with washers, No. 644, in boxes of 1 gross .. "	0 4 2	R. E. Mustow
19	" metal fasteners, with washers, No. 645, in boxes of 1 gross .. "	0 4 2	Sands and McDougall Pty. Ltd.
20	" metal fasteners, with washers, No. 646, in boxes of 1 gross .. "	..	Purchase (Clause 109)
21	" screws, brass, $1''$ per doz.	..	Purchase (Clause 109)
22	" screws, brass, $1\frac{1}{2}''$ "	..	Purchase (Clause 109)
23	Binders, screw, brass, $2''$ "	..	Purchase (Clause 109)
24	" screw, brass, $2\frac{1}{2}''$ "	..	Purchase (Clause 109)
25	Bodkins, with eye, riveted through handle, $4\frac{1}{2}''$ blade .. each	0 2 8 $\frac{1}{2}$	Clive Hogbin (Interstate) Pty. Ltd.
26	" with eye, riveted through handle, $7''$ blade .. "	0 0 7 $\frac{1}{2}$	Purchase (Clause 109)
27	Bowls, glass, Bankers, $3\frac{1}{2}''$ diameter at top .. "	0 4 10	R. E. Mustow
28	Boxes, paper covered, for ledger cards, $4'' \times 6''$.. "	0 6 0	Sands and McDougall Pty. Ltd.
29	" paper covered, for ledger cards, $6'' \times 8''$.. "	..	Purchase (Clause 109)
30	" cash, $8''$, with trays "Victa" "	1 2 6	R. E. Mustow
31	" cash, $12''$, with trays, No. 57 "	1 19 6	Purchase (Clause 109)
32	" cash, $14''$, with trays, No. 59 "	..	Purchase (Clause 109)
Brushes, Artists—			
33	Sable (red), crow, finest, in quills, Winsor and Newton's .. per doz.	1 6 6	W. & G. Dean Pty. Ltd.
34	Sable (red), duck, finest, in quills, Winsor and Newton's .. "	1 19 0	
35	Sable (red), goose, finest, in quills, Winsor and Newton's .. "	3 7 3	Purchase (Clause 109)
36	Sable (red), large swan, finest, in quills, Winsor and Newton's .. each	2 12 0	
37	Sable (red), medium swan, finest, in quills, Winsor and Newton's .. "	1 17 6	Purchase (Clause 109)
38	Sable (red), small swan, finest, in quills, Winsor and Newton's .. "	1 8 3	
39	Brushes, litho., sable, Series 16, No. 0 per doz.	1 4 6	Ponsford, Newman and Benson Ltd.
40	" litho., sable, Series 16, No. 1 "	1 14 0	Purchase (Clause 109)
41	" litho., sable, Series 16, No. 2 "	2 4 0	W. & G. Dean Pty. Ltd.
42	" litho., sable, Series 16, No. 3 "	..	Ponsford, Newman and Benson Ltd.
43	" litho., sable, Series 16, No. 4 "	3 18 0	Purchase (Clause 109)
44	" litho., sable, Series 16, No. 5, "Reeves", series 152 .. "	5 5 0	Ponsford, Newman and Benson Ltd.
45	" litho., sable, Series 16, No. 6, "Reeves", series 152 .. "	..	Purchase (Clause 109)
46	" litho., sable, Series 16, No. 7, "Reeves", series 152 .. "	0 2 6 $\frac{1}{2}$	Tomasetti and Son Pty. Ltd.
47	" paste and gum, $\frac{1}{4}''$, flat "	0 1 0 $\frac{1}{2}$	Thos. Mitchell and Co. Pty. Ltd.
48	" paste and gum, $\frac{3}{4}''$, flat "	0 1 4	
49	" typewriter, tooth brush type, $6''$ overall "	..	Purchase (Clause 109)
50	" typewriter, wire handle, bottle type "	..	Purchase (Clause 109)
51	Cards, playing "Tiger" per doz. packets	0 3 6 $\frac{1}{2}$	John Jackson and Co. Pty. Ltd.
52	Cases, attache, solid leather, with one X tin plate enamelled frame clamped into body of case, two Australian locks; lined with leather cloth, round leather covered metal handle, best make and finish, metal protected corners riveted on lid .. per inch	..	Purchase (Clause 109)
53	Stationery head for previous item, to be of best leather cloth throughout, well sewn, best make and finish, pockets fastened with leather flap "	..	
54	Satchels, black leather, zip folio, zip 3 sides full, reinforced metal back "	..	Purchase (Clause 109)
Clag—			
55	In 10-oz. bottles, with brushes per doz. bottles	0 14 6	Angus and Co. Pty. Ltd.
56	In 20-oz. bottles, without brushes "	0 18 0	
57	In 1 gallon jars "	5 2 0	Braham and Ross Pty. Ltd.
58	Clips, bulldog, $2\frac{1}{2}''$ per doz.	0 4 6	
59	" bulldog, small "	0 1 9	

CONTRACTS ACCEPTED—(Series 1964/65.)—continued

Item No.	Description of Articles	Rate	Name of Contractor
SUB-SCHEDULE A—continued.			
60	Clips, glider or equal thereto, large, in boxes of 100 ..	per 1,000 0 4 3	Modern Office Equipment Pty. Ltd.
61	„ glider or equal thereto, small, in boxes of 100 ..	0 3 11	
62	„ letter, side, foolscap size ..	0 3 6	
63	„ letter, end, foolscap, size ..	0 3 6	Clive Hogbin (Interstate) Pty. Ltd.
64	Colours, water, moist, whole cakes in pans, Winsor and Newton's		
	Series No. 1—Burnt Sienna, Burnt Umber, Chinese White, Chrome, Yellow, Emerald Green, Indian Red, Mauve, Neutral Tint, Payne's Grey, Prussian Blue, Raw Sienna, Raw Umber, Vandyke Brown, Venetian Red, Yellow Ochre	per doz. pans 1 11 3	W. & G. Dean Pty. Ltd.
65	Series No. 2—Gamboge, Hooker's Green, No. 1, Hooker's Green, No. 2, Indigo, Purple Lake, Scarlet Lake, Sepia	1 11 3	
66	Series No. 3—Cobalt Blue, French Blue, French Ultramarine, Crimson Lake	1 17 6	
67	Series No. 4—Aurora Yellow, Carmine, Violet Carmine, Vermillion	2 7 0 3 8 9	
68	Colours, liquid, Chinese-White, Winsor and Newton's in bottles	per doz. 1 10 6	Purchase (Clause 109)
69	„ Texta colours in boxes of 12 colours ..	per box 0 8 0	Michael A. Dorthheimer Pty. Ltd.
70	„ Texta colours as ordered ..	0 7 8	
71	Covers, typewriter, foolscap size, oilcloth ..	each ..	Purchase (Clause 109)
72	„ typewriter, brief size, oilcloth ..	„ ..	
73	„ typewriter, policy size, oilcloth ..	„ ..	
74	Crayons, solid marking, coloured ..	per gross 1 10 6	R. E. Mustow
75	Cushions, chair rubber ..	each 0 7 0	Dunlopillo Pty. Ltd.
76	Damper, label, 5", roller bakelite ..	„ 0 8 2	R. E. Mustow
77	Diaries, Australian, various, pocket series ..	Invicta List Price Less 50%	Sands and McDougall Pty. Ltd.
78	„ Australian, various, cloth series ..		
79	„ Australian, various, rough series ..		
80	Directories, municipal, bound or library, latest edition	„ ..	Purchase (Clause 109)
81	„ Victorian, latest edition ..	15 0 0	Sands and McDougall Pty. Ltd.
82	Dispenser tape, Cellulose to take 1296	„ 0 12 8	Sellotape Australia Pty. Ltd.
83	„ „ „ 2592	„ 0 19 0	
84	Erasers, circular, typewriter ..	per doz. 0 3 2	Ormiston Rubber Co. Pty. Ltd.
85	„ combined, 2 1/2", ink and pencil ..	0 2 1	
86	„ draughtsmen ..	per lb. ..	Purchase (Clause 109)
87	„ pliable, pencil ..	„ ..	
88	Eyelets, short—500 in box ..	per box 0 4 8	R. E. Mustow
89	„ medium ..	0 4 1	
90	„ long ..	„ ..	Purchase (Clause 109)
91	Fasteners, paper, 1/2", R.O., 1 gross in box ..	per doz. boxes ..	Purchase (Clause 109)
92	„ paper, 1/2", S.1. and R.1, 1 gross in box ..	„ ..	
93	Fasteners, paper, 1/2", R.2, 1 gross in box ..	0 18 10	
94	„ paper, 1/2", S.3 and R.3, 1 gross in box ..	1 0 6	Edwards Dunlop and Co. Pty. Ltd.
95	„ paper, 1/2", S.4, 1 gross in box ..	1 6 6	
96	„ paper, 1/2", S.5, 1 gross in box ..	1 8 8	
97	„ paper, 1/2", R.6, 1 gross in box ..	1 14 4	
98	„ paper, 1/2", S.7 and R.7, 1 gross in box ..	1 18 10	
99	„ paper, 2", S.8 and R.8, 1 gross in box ..	3 2 0	R. E. Mustow
100	„ paper, 2 1/2", R.10, 1 gross in box ..	„ ..	Purchase (Clause 109)
101	„ paper, "Ty-tite", 1 gross in box ..	per box 2 4 0	Maurice E. Tye (A)
102	Files, box, indexed, foolscap with clip, 15" x 1 1/4" x 3"	each 0 9 0	Alex. Cowan (Aust) Pty. Ltd.
103	„ box, foolscap, not indexed, 14 1/2" x 9 1/4" x 2"	„ 0 5 0	R. E. Mustow
104	„ concertina, manila, foolscap ..	0 9 9	Modern Office Equipment Pty. Ltd.
105	„ concertina, manila, quarto ..	0 8 1 1/2	
106	„ foolscap, with index ..	0 7 7	Sands and McDougall Pty. Ltd.
107	„ springback, foolscap ..	0 5 7	R. E. Mustow
108	„ springback, music size ..	„ ..	Purchase (Clause 109)
109	„ springback, octavo ..	„ ..	
110	„ springback, large, quarto, 11 1/4" x 9"	0 5 4	R. E. Mustow
111	„ springback, small, quarto ..	0 5 4	
112	Glue, "Seccotine" ..	per doz. tubes ..	Purchase (Clause 109)
113	Grips, finger and thumb, large, small ..	per doz. 0 1 7	Clive Hogbin (Interstate) Pty. Ltd.
114	„ finger, thimble style, large ..	0 2 4	
115	„ finger, thimble style, medium ..	0 2 4	
116	„ finger, thimble style, small ..	0 2 4	Sands and McDougall Pty. Ltd.
117	Gum, art blocks, 2 1/2" x 1 1/4" x 1 1/4"	per doz. 0 8 6	Clive Hogbin (Interstate) Pty. Ltd.
118	„ liquid, 4-oz. bottles with cap and brush ..	0 14 0	Angus and Co. Pty. Ltd.
119	„ obliterating, I.R., stamp ..	per doz. ..	Purchase (Clause 109)
120	„ obliterating, metal stamp ..	„ ..	
121	Ink, fountain pen blue or red, 4-oz. as ordered ..	„ 0 1 0	Angus and Co. Pty. Ltd.
122	„ fountain pen swan blue or black, 4-oz. as ordered ..	0 1 1 1/2	Biro, Swan and Gollin Pty. Ltd.
123	„ India rubber stamp, 2-oz., black, blue, green, purple, red, as ordered ..	0 1 4	Angus and Co. Pty. Ltd.
124	„ India rubber stamp, 4-oz., black, blue, green, purple, red, as ordered ..	0 1 1 1/2	Stephen Inks Pty. Ltd.
125	„ Marking, 1/2-oz. bottles ..	„ 0 0 9	R. E. Mustow
126	„ Metal stamp, 1-oz., black, green, red, as ordered ..	0 1 1	Clive Hogbin (Interstate) Pty. Ltd.
127	„ Powder, blue-black (1 packet makes 2 pints) ..	per pkt. 0 0 5	Angus and Co. Pty. Ltd.
128	„ Waterproof, tracing, 1-oz., black, orange, red, yellow, green, blue, as ordered ..	per bot. 0 1 3	Tomasetti and Son Pty. Ltd.
129	Inkstands, glass, with tray, two holes and caps ..	each 0 8 6	R. E. Mustow
130	„ glass, square, 3 1/4", glass top with pen tray ..	„ ..	Purchase (Clause 109)

CONTRACTS ACCEPTED.—(Series 1964-65;—continued.

Item No.	Description of Articles.	Rate.	Name of Contractor.
SUB-SCHEDULE A—continued.			
		£ s. d.	
131	Knives, desk erasers,	each	Clive Hogbin (Interstate) Pty. Ltd. Purchase (Clause 109)
132	Labels, gummed, 2½" x 1½", with border, pads of 100 ..	per pad	
133	" " gummed, 1" x ½" with border, box of 100 ..	per box	F. J. House Sales Pty. Ltd. R. E. Mustow
134	Machines, eyelet, hand punches	each	
135	" numbering, "Velos", 999, 6 figure	"	Purchase (Clause 109) Clive Hogbin (Interstate) Pty. Ltd.
136	" stapling, "Falcon"	"	
137	Oil, for typewriters, small tins	"	Stephens Inks Pty. Ltd.
138	Openers, letter, steel	"	
139	Pads, self-inking, I.R., stamp, 2½" x 4½", red, blue, purple, black, green No. 1	per doz.	Andrew Jack Dyson and Co. Pty. Ltd. Purchase (Clause 109)
140	" self-inking, I.R., stamp 3½" x 6", green, black, blue, red, purple, No. 2	"	
141	Paper, rolls, for adding machines, 3½" x 3½", in 80-yd. rolls ..	per 100 rolls	Andrew Jack Dyson and Co. Pty. Ltd. Purchase (Clause 109)
142	" rolls for adding machines, 2½" x 3½", in 80-yd. rolls ..	"	
143	" rolls for adding machines, 2½" x 2½"	"	Andrew Jack Dyson and Co. Pty. Ltd.
144	" rolls, for cash register, size "Y"	"	Purchase (Clause 109)
145	Paste, in 6 oz. bottles, "Grip Fix"	per doz. bottles	Stephens Inks Pty. Ltd.
146	Pencil, lengthener	per doz.	Purchase (Clause 109)
147	Pencils, coloured, hexagonal, blue	"	
148	" coloured, blue, round	"	R. E. Mustow
149	" coloured, hexagonal, green	"	
150	" coloured, green, round	"	Purchase (Clause 109)
151	" coloured, hexagonal, red	"	
152	" coloured, red, round	"	R. E. Mustow
153	" coloured, round, combined red and blue	"	
154	" coloured, violet, round	"	Purchase (Clause 109)
155	" coloured, yellow, round	"	
156	" crayon, coloured, in boxes, of 12	"	R. E. Mustow Edwards Dunlop and Co. Ltd.
157	" drawing, "Royal Sovereign" in all grades as required	"	
158	" office, H.B., "Popular"	"	R. E. Mustow
159	" indelible, "Eagle"	"	
160	" refills, for propellers, black	per doz. boxes	Purchase (Clause 109)
161	" refills, for propellers, coloured	"	
162	" waterproof, "Black Prince"	per doz.	Purchase (Clause 109)
163	Pens, Ball-point, "Throw away type, standard, Black ..	each	
164	" " " " " " Blue	"	Biro, Swan and Gollin Pty. Ltd.
165	" " " " " " Red	"	
166	" " " " " " Green	"	Purchase (Clause 109)
167	" " " " " " Fine point, Black	"	
168	" " " " " " Blue	"	Purchase (Clause 109)
169	" " " " " " Red	"	
170	" " " " " " Green	"	Purchase (Clause 109)
171	Pens, Ball-point "Biro"	"	
172	" refills for above	"	Purchase (Clause 109)
173	Pen, Nibs, in boxes of 1 gross—	per box	
174	Argyle	"	Purchase (Clause 109) R. E. Mustow
175	Australian, No. 9	"	
176	Journal	"	Purchase (Clause 109) R. E. Mustow
177	Iridinoid, M.R.3	"	
178	" First class", No. 9	"	Purchase (Clause 109)
179	Gillots, No. 170	"	
180	" No. 290	"	Purchase (Clause 109)
181	" No. 292	"	
182	" No. 293	"	Purchase (Clause 109)
183	" No. 303	"	
184	" Nos. 404M, 404F, "Brandauer"	"	Purchase (Clause 109)
185	" mapping, "Hentswells"	"	
186	" J" Myers, black	"	Purchase (Clause 109)
187	" J", Heaths, black	"	
188	" J", elongated, Heaths, "Gilt"	"	Purchase (Clause 109)
189	" J", black, "Gilt"	"	
190	Magazine, Brandauer, and Co.	"	Purchase (Clause 109)
191	Mail, No. 2134	"	
192	Manifolding, No. 0505	"	Purchase (Clause 109)
193	Probate, Esterbrook	"	
194	Relief	"	Purchase (Clause 109)
195	Review, Brandauer and Co.	"	
196	Scribbler, No. 147, "Ariel"	"	Purchase (Clause 109)
197	Times	"	
198	Waverley	"	Purchase (Clause 109)
199	Lawson	"	
200	Leicester	"	Purchase (Clause 109)
201	Dawson, No. 9	"	
202	Mitchell	"	Purchase (Clause 109)
203	Kopinib	"	
204	Latem	"	Purchase (Clause 109)
205	Pedigree	"	
206	Penholders, Wooden, rubber grip, assorted colours ..	per gross	R. E. Mustow
207	" Sunvale	"	Purchase (Clause 109)
208	Pins, drawing, ½" diameter, 100 in box	per box	
209	Pounce	per lb.	Purchase (Clause 109)
210	Protractors, 6" celluloid	each	

CONTRACTS ACCEPTED.—(Series 1964-65.)—continued.

Item No.	Description of Articles.	Rate.	Name of Contractor.
SUB-SCHEDULE A—continued.			
		£ s. d.	
209	Protractors, circular celluloid, 5", full circle, $\frac{1}{16}$ " thick, $\frac{1}{4}$ " top bevel, two-way reading	each .. 0 8 6	Ponsford, Newman and Benson Ltd.
210	Punches, for files, two holes, c to c, small $3\frac{1}{8}$ " 0 3 4	F. J. House Sales Pty. Ltd.
211	Ring, reinforcements, boxes of 100 per box 0 0 6 $\frac{1}{2}$	R. E. Mustow
212	Refills, for table calendars 0 2 1 $\frac{1}{2}$	Modern Office Equipment Pty. Ltd.
213	" " " " "Invicta"	Purchase (Clause 109)
214	Stands for table calendars, "Pioneer" 0 3 0	Spicers (Australia) Ltd.
215	" " " " "Invicta"	} Purchase (Clause 109)
216	Rulers, ebony, round, 15"	
217	" flat, 15", brass edge per doz. 0 12 9	Tomasetti and Son Pty. Ltd.
218	" flexible, metal, 15"	} Purchase (Clause 109)
219	Scissors, office, 6"	
220	" surgical, 6"	
221	Scales, draughtsmen's, boxwood, engine-divided— $\frac{1}{8}$ " and $\frac{1}{4}$ "; $\frac{1}{4}$ " and $\frac{1}{2}$ "; $\frac{3}{8}$ " and $\frac{1}{2}$ "; $\frac{1}{2}$ " and 1"; Armstrong	
222	" survey, boxwood, engine-divided, 10/20, 20/40, 30/60, 40/80, 40/160, 50/100—double-sided	
223	Seals, gummed, notarial, No. 3 (packet of 100) per pkt.	
224	Sharpeners, pencil, rotary, adjustable "Giant" each 1 4 0*	Jasco Pty. Ltd.
225	Silencers, mats, for typewriters, 12" x 12" 0 10 0	R. E. Mustow
226	Sponges, to fit bowls	} Purchase (Clause 109)
227	Squares, set, 45°, celluloid, 6" .040	
228	" set, 45°, celluloid, 8" .040	
229	" set, 45°, celluloid, 10" .050 0 1 6	R. E. Mustow
230	" set, 60°, celluloid, 8" .040	Purchase (Clause 109)
231	" set, 60°, celluloid, 10" .060 0 1 0	Ponsford, Newman and Benson Ltd.
232	" set, 60°, celluloid, 12" .060	Purchase (Clause 109)
233	Stamps, dating, medium, No. 2 0 2 5	Clive Hogbin (Interstate) Pty. Ltd.
234	" " small, No. 1 $\frac{1}{2}$ 0 1 8 $\frac{1}{2}$	} R. E. Mustow
235	Rests for stamps, metal, to take ten stamps, circular 0 7 3	
236	Staples for stapling machines— Type as ordered, 5,000 in box per box 2 2 0	Clive Hogbin (Interstate) Pty. Ltd.
237	Straps, cotton, 2 ft., 1-in. wide, with buckle per doz. 0 5 4	} Arnold Ribbon Coy.
238	" cotton, 3 ft., 1-in. wide, with buckle 0 7 2	
239	" cotton, 4 ft., 1-in. wide, with buckle 0 9 2	
240	Tape, Cellulose, $\frac{1}{2}$ in. x 72 yards per roll 0 2 7	} Minnesota Mining and Manu- facturing (Aust.) Pty. Ltd.
241	" " $\frac{3}{4}$ in. x 72 yards 0 3 9	
242	" " 1 in. x 72 yards 0 5 0	
243	" " $\frac{1}{2}$ in. x 36 yards 0 1 7	
244	" " $\frac{3}{4}$ in. x 36 yards 0 1 11	
245	" " 1 in. x 36 yards 0 2 6	
246	" " $\frac{1}{2}$ in. x 225 in. (and dispenser) 0 0 9	
247	" " $\frac{3}{4}$ in. x 150 in. (and dispenser) 0 0 9	
247A	" Linen, adhesive, $\frac{1}{2}$ in. x 50 yards 0 7 11	
248	" Paper, brown, gummed, 1 in. No. 60	
249	" " " " 2 in. No. 60 0 4 10 $\frac{1}{2}$	Spicers (Aust.) Pty. Ltd.
250	Teledex each 0 15 8	General Stationers Pty. Ltd.
251	Trays, pen, glass, 9 $\frac{1}{2}$ in. x 3 in. 0 3 0	Clive Hogbin (Interstate) Pty. Ltd.
252	Type cleaner 0 1 4	R. E. Mustow
253	Typewriters, foolscap size 31 6 8	} Sydney Pincombe Pty. Ltd.
254	" brief size 36 2 6	
255	" policy size 42 17 6	
256	Wax, sealing, red, packed in 1-lb. boxes per lb. 0 3 10	Edwards Dunlop and Co. Ltd.
257	Weights, paper, glass, 4 in. x 2 $\frac{1}{2}$ in. x 1 in. each 0 2 9	Clive Hogbin (Interstate) Pty. Ltd.

* Less 2 $\frac{1}{2}$ per cent.—14 days.

CONTRACTS ACCEPTED.—(Series 1964-65.)—continued.

All supplies of Carbon Papers, Typewriters Ribbons and Trypograph Material under this Schedule will be ordered by Stores Officer, Education Department, and must be delivered as directed by him.

All the items must be of the very best description. If, after delivery, any deficiency or deficit is discovered in the quality, the balance of the articles on hand may be returned to the Contractor.

Carbon Papers must be cut to size in the Commonwealth, and packed in boxes of Commonwealth manufacture.

Item No.	Description of Articles.	Rate.	Name of Contractor.
SUB-SCHEDULE B.			
CARBON PAPERS.			
Carbon Papers, for Typewriters, in boxes of colours as ordered.			
	Weight of paper per ream.		
To take up to—			
258	5 copies, standard weight, foolscap size, 8 lb. .. per box (100 sheets)	0 6 3	Caribonum Aust. Pty. Ltd.
259	5 copies, standard weight, sizes as ordered, 8 lb.	Purchase (Clause 109)
260	12 copies, light weight, foolscap size, 5 lb.	0 5 0	Ramsay and Hall Pty. Ltd.
261	12 copies, light weight, sizes as ordered, 5 lb.	Purchase (Clause 109)
262	20 copies, featherweight, foolscap, size 4 lb.	0 5 0	Ramsay and Hall Pty. Ltd.
263	20 copies, featherweight, sizes as ordered, 4 lb.
264	Brief size—to take up to—		
	9 copies, light weight3 lb.	Purchase (Clause 109)
265	Pencil—Foolscap
266	.. sizes as ordered
267	Pen—In sheets, 13 in. x 8½ in.	0 5 0	Ramsay and Hall Pty. Ltd.
SUB-SCHEDULE C.			
RIBBONS, FOR TYPEWRITERS, ACCOUNTING AND ADDING MACHINES.			
(To be of the best description and supplied on Bobbins as ordered).			
Two colour—			
268	¼-in. wide, on spools containing 12 yards, Record .. per doz.	1 5 0	Ramsay and Hall Pty. Ltd.
One-colour—			
269	¼-in. wide, on spools containing 12 yards, Copying	Purchase (Clause 109)
270	¼-in. wide, on spools containing 12 yards, Record	1 5 0	Ramsay and Hall Pty. Ltd.
271	Ribbons for Remington Accounting Machines, ¼-in. red	Purchase (Clause 109)
272	and black Ribbons for Adding Machines
SUB-SCHEDULE D.			
TRYPOGRAPH MATERIAL, ETC.			
Stencil Paper—Dry Indestructible—			
273	For all Standard Rotary and Flat Duplicators in 2-quire boxes, "Duplicopy" .. per quire	0 9 6	Mason Kolok Mfg. Co. Ltd.
Ink—			
274	For Standard Rotary Duplicators, in 1-lb. tubes or bottles .. each	0 18 0 0 9 3	Ronco Co. (Melb.) Pty. Ltd. Ellams Duplicator Co. (Melb.) Pty. Ltd.
275	Varnish, Stencil, in 1-oz. bottles, with brush	0 1 3
276	Developer, in 1-oz. bottles	0 1 3	Ramsay and Hall Pty. Ltd.

CONTRACTS ACCEPTED.—(Series 1964-65).—continued.

SCHEDULE No. 68.

GENERAL STORES—STAMPS, RUBBER.

Contract from 1st September, 1964, to 31st August, 1965.

1964/1203.—Printezy Pty. Ltd.

Security, £10.

Delivery to be made at the Education Department stationery Store, within 7 days of receipt of order.

Item No.	Description of Articles.	Rate.		Name of Contractor.
		£	s. d.	
	Stamps, rubber, wooden handle and mount, any length up to 5", type up to 1/2" high—			Printezy Pty. Ltd.
1	One line each	0	3 9	
2	Two lines "	0	14 6	
3	Three lines "	0	5 3	
4	Four lines "	0	6 0	
5	Over four lines line extra	0	1 3	
	Stamps, rubber, wooden handle and mount, circular, oval or square, any wording not exceeding—			
6	2" x 1 1/2" each	0	7 6	
7	3" x 2" "	0	9 6	
8	4" x 3" "	0	12 0	

Approved—H. E. BOLTE, Treasurer. 22.9.64.

FIREWOOD.—COUNTRY TOWNS, ETC.

Period—From 1st October, 1964, to 30th September, 1965.

Contract No.	Place.	Kinds of Firewood.	Rate per Cord, of 128 Cubic Feet.				Name of Contractor.	Charge against Vote, or Fund.
			In 1-ft. Billets.	In 2-ft. Billets.	In 5-ft. Lengths.	In 6-ft. Lengths.		
			s. d.	s. d.	s. d.	s. d.		
1204	Bacchus Marsh	Mixed		170 0			General Expenses 1964-65 and 1965-66.	
1205	Bairnsdale					C. G. Bourke, 264 Dundas-street, Thornbury		
1206	Benalla					Purchase by agreement		
1207	Bendigo	Grey and Red Box	256 0	245 4	128 0	R. J. Bradley, 536 Hargreaves-street, Bendigo		
1208	Camperdown	Messmate, Dry		175 0		L. L. Grayland, Glenfyne Wayside, via Cobden		
1209	Casterton					Purchase by agreement		
1210	Castlemaine	Grey Box		209 6		J. H. Jones, Princes-street, Campbells Creek		
1211	Castlemaine	Box and Peppermint			85 0	R. L. Maltby, Davey-street, Tara-dale		
1212	Colac					Purchase by agreement		
1213	Corryong							
1214	Dandenong					Purchase by agreement		
1215	Daylesford							
1216	Dimboola	White Gum and Box	180 0	170 0		R. N. Warner, 161 Lloyd-street, Dimboola		
1217	Echuca	Red Gum, Dry				Purchase by agreement		
1218	Frankston	Mixed		170 0				
1219	Geelong	Mixed, Dry		160 0		W. W. Shell, Meredith		
1220	Horsham	Buloke or Box		170 0		A. Panozzo, Stawell-street, Horsham		
1221	Kyneton	Mixed				C. G. Bourke, 264 Dundas-street, Thornbury		
1222	Lilydale	Mixed				Purchase by agreement		
1223	Longerenong	Dry Mixed			110 0			
1224	Maryborough	Grey Box		209 6		A. Panozzo, 42 Stawell-street, Horsham		
1225	Mildura	Dry Grey Box		184 0		M. M. Jones, Princes-street, Campbells Creek		
1226	Nhill	Box and White Gum	195 0	185 0		G. T. Cleary, 70 11th-street, Mildura		
						R. N. Warner, 161 Lloyd-street, Dimboola		
1227	Numurkah					Purchase by agreement		
1228	Portland							
1229	Red Cliffs	Dry Grey Box		184 0		G. T. Cleary, 70 11th-street, Mildura		
1230	St. Arnaud					Purchase by agreement		
1231	Sale	Red Gum		180 0	170 0			
1232	Seymour	Dry Box				K. F. Fyfe, 9 Turnbull-street, Sale		
1233	Shepparton					Purchase by agreement		
1234	Swan Hill							
1235	Terang	Messmate, Dry		190 0		L. L. Grayland, Glenfyne Wayside, via Cobden		
1236	Traralgon					Purchase by agreement		
1237	Wangaratta							
1238	Warracknabeal	Box and White Gum	195 0	180 0		R. N. Warner, 161 Lloyd-street, Dimboola		
1239	Warragul					Purchase by agreement		
1240	Warrnambool							
1241	Werribee	Red Gum, Yellow Box		280 0		Walter Kennedy, Bannockburn		
1242	Wodonga	Red Gum		160 0		Stephens Bros., 26 High-street, Wodonga		
1243	Yallourn					Purchase by agreement		
1244	Yarram							

Approved—H. E. Bolte, Treasurer, 22.9.64.

CONTRACTS ACCEPTED.—(Series 1964-65.)

VICTORIAN RAILWAYS.

32. Supply and delivery of broken metal screenings, toppings, crushed rock and dust as may be ordered, in writing, during the period from 1st July, 1964, to 30th June, 1966, at rates (Contract 62627).—Bayview Quarries Pty. Ltd. 33. Supply and delivery of broken metal screening, toppings, crushed rock and dust as may be ordered, in writing, during the period from 1st July, 1964, to 30th June, 1966, at rates (Contract 62599).—Albion Quarrying Co. Pty. Ltd. 34. Manufacture, supply, installation and putting into service of lifts in the Railways Administrative Offices Building, at Spencer-street, Melbourne, at rates (Contract 62586).—Johns & Waygood Ltd.

By order of the Victorian Railways Commissioners,
W. WALKER, Secretary. 9.10.64.

GENERAL STORES.

Gazette No. 31, 22nd April, 1964, Schedule No. 52, Tools (General).—For the rates shown opposite the following items, substitute the rates as set out hereunder:—Item No. 3: $\frac{1}{4}$ -in. and $\frac{1}{2}$ -in., £4 15s. 8d., 9/16-in. and $\frac{3}{8}$ -in., £5 3s. 6d., 11/16-in. and $\frac{7}{8}$ -in., £5 14s., 13/16-in. and $\frac{1}{2}$ -in., £6 9s., 15/16-in. and 1-in., £7 4s. 3d. per dozen; Item No. 4: $\frac{1}{2}$ -in., 14s. 6d., 1 $\frac{1}{2}$ -in., 17s. 4d. each; Item No. 6—Hardwood Handles: 4-lb., £1 11s., 4 $\frac{1}{2}$ -lb., £1 11s. 6d. each; Hickory Handles: 4-lb., £2 1s. 5d., 4 $\frac{1}{2}$ -lb., £2 1s. 9d., 5-lb., £2 5s. each; Item No. 7, 11s. 1d. each; Item No. 8, £5 10s. per dozen; Item No. 9: 9/16-in., £3 17s. 6d., $\frac{3}{8}$ -in., £4 3s. 11d., 11/16-in. and $\frac{1}{2}$ -in., £4 13s. 7d., 13/16-in. and $\frac{7}{8}$ -in., £5 2s. 2d., 15/16-in. and 1-in., £5 8s. 9d., 1 $\frac{1}{2}$ -in., £6 10s. 6d., 1 $\frac{1}{2}$ -in., £8 per dozen; Item No. 26, £1 2s. 3d. each; Item No. 53: 2-ft., £2 10s. 10d., 2 ft. 6 in., £2 11s. 11d., 3-ft., £2 13s., 3 ft. 6 in., £2 14s. 1d., 4-ft., £2 15s. 2d., 4 ft. 6 in., £2 16s. 3d., 5-ft., £2 17s. 4d., 5 ft. 6 in., £2 18s. 5d., 6-ft., £2 19s. 6d. each; Item No. 55, 17s. 10d. each; Item No. 101: 4-lb., 15s. 3d.; 6-lb., 18s. 6d., 10-lb., £1 5s. 5d., 14-lb., £1 10s. 7d. each; Item No. 113—Straight: 5-ft., £2 15s. 3d., 5 ft. 6 in., £2 19s. 3d., 6-ft., £3 2s. 9d., 6 ft. 6 in., £3 8s. 6d. per dozen plus 7 $\frac{1}{2}$ per cent. net; Bent: 5-ft. £3 6s. 6d., 5 ft. 6 in., £3 10s. 6d., 6-ft. £3 14s., 6 ft. 6 in., £3 19s. 9d. per dozen plus 7 $\frac{1}{2}$ per cent. net; Item No. 124, £5 5s. per dozen; Item No. 141: 4-in., 16s. 3d., 5-in. 16s. 6d., 6-in., 17s. 3d. each; Item No. 173—without handles: 4-lb., 17s. 5d., 4 $\frac{1}{2}$ -lb., 17s. 9d., 5-lb., 18s. 5d. each; Item No. 185, £2 6s. 3d. each; Item No. 187, £1 15s. each; Item No. 188, £1 10s. 6d. each; Item No. 189, £3 16s. 8d. each; Item No. 195, £4 0s. 8d. each; Item No. 212, 8s. 4d. each; Item No. 215, £1 1s. 6d. each; Item No. 226, £1 9s. 10d. each, as from 2nd October, 1964. Item No. 173.—Handled: 4-lb., £1 5s. 6d., 4 $\frac{1}{2}$ -lb. £1 5s. 11d., 5-lb., £1 6s. 10d. each, as from 21st September, 1964.

Gazette No. 62, 9th July, 1964, Schedule No. 39, Furniture.—For the rates shown opposite the following items, substitute the rates as set out hereunder:—Item No. 3, £13 8s. 10d. each; Item No. 5, £22 5s. 7d. each; Item No. 17, £38 6s. 6d. each; Item No. 24, £8 18s. 6d. each; Item No. 25, £8 1s. 8d. each; Item No. 29, £8 1s. 8d. each; Item No. 31, £9 5s. 4d. each; Item No. 34, £11 0s. 6d. each; Item No. 45, £25 16s. 1d. each; Item No. 46, £52 7s. 4d. each; Item No. 48, £39 18s. each; Item No. 49, £29 5s. 4d. each; Item No. 52, £27 15s. 5d. each.

NOTE.—Items supplied by Bera Cabinet Works Pty. Ltd., amended rates as from 31st August, 1964. Items supplied by Kennett Bros. & Rayner Pty. Ltd., amended rates as from 30th September, 1964.

Gazette No. 62, 9th July, 1964, Schedule No. 54, Metals. For Item No. 10, substitute £187 1s. per ton, as from 29th September, 1964.

Gazette No. 62, 9th July, 1964, Schedule No. 57, Nails, Rivets, Screws, &c.—For Item Nos. 14 and 18, substitute List Price less 25 per cent.

PRISONERS' MEALS IN LOCK-UPS.

CONTRACT CANCELLED.

Gazette No. 63, 15th July, 1964, Prisoners' Meals—Dandenong.—Contract No. 308 is hereby cancelled.

CONTRACT ACCEPTED.

1245. For the supply of Prisoners' Meals at Dandenong, from 27th September, 1964, to 30th June, 1965, Breakfast and Tea, 3s.; Hot Dinner, 4s.—P. O. & J. L. Jones.

J. M. PAWSON, Acting Secretary to the Tender Board. 12.10.64.

No. 84.—9216/64.—3

PUBLIC WORKS.

1060. Yallourn, Technical College, supply and install steel shelving, £297 11s.—Brownbuilt Ltd.

1061. Moorabbin, Technical School, supply and install steel shelving, £337 8s. 9d.—Brownbuilt Ltd.

1062. Rochester High School, supply soup urn and refrigerator, £311 5s. 6d.—Ahearn, Main & Stott Pty. Ltd.

1063. Carlton, Motor Registration Branch, supply steel storage units, £296 5s.—Sheraton Office Centre Pty. Ltd.

1064. Stawell, Pleasant Creek Special School, supply beds, £617 8s.—Namco Furniture Contract Division.

1065. Stawell, Pleasant Creek Special School, supply rubber mattresses, £570 16s.—Seafoam Pty. Ltd.

1066. Traralgon, Hobson Park Hospital, supply trailer, garbage, £425.—Fleetmaster Trailer Industries.

1067. Reservoir East, Kingsbury Technical School, supply furniture, £586 5s.—Kennett Bros. & Rayner Pty. Ltd.

1068. West Parkville, "Turana", sand floors and supply and lay lino tiles, £857 12s.—Flor Lyfe Pty. Ltd.

1069. Port Melbourne, Public Works Department Store-yard, supply fire hose, £1,520 16s. 8d.—Wormald Bros. (Aust.) Pty. Ltd.

1070. Port Melbourne, Public Works Department Store-yard, supply pile shoes, £666 13s. 4d.—S. G. Sewell Pty. Ltd.

1071. Boort, High School, supply tables and chairs, £551 12s.—D. F. Cowan Sales Pty. Ltd.

1072. Mildura, High School, supply fans, £370.—British General Electric Co. Pty. Ltd.

1073. Kerang, High School, supply fans, £407.—British General Electric Co. Pty. Ltd.

1074. Kew, Childrens Cottages, cot beds, £959 2s.—Namco Furniture Contract Division.

1075. Williamstown, Public Works Department Dredging Depot, supply diesel engine, £634 10s.—Elder Smith Goldsbrough Mort Ltd.

1076. Royal Park, Psychiatric Hospital, supply and lay lino tiles, £257 2s. 6d.—Picton Hopkins & Sons Pty. Ltd.

1077. Frankston, Technical School, supply drills and tables, £278 5s.—Waldown Pty. Ltd.

1078. Melbourne, School of Hairdressing, supply of hair driers, £1,166 16s. 5d.—Hillcastle Pty. Ltd.

1079. Melbourne, School of Hairdressing, supply hair driers, £517 2s.—Herford Smith Pty. Ltd.

1080. Kangaroo Flat, Technical School, supply fans, £296.—British General Electric Pty. Ltd.

1081. Stony Point, Foreshore, supply stone and quarry waste, £7,380.—T. W. Maw & Sons Pty. Ltd.

1082. Glenroy, Technical School, supply lathe, £1,945.—McPherson's Ltd.

1083. Glenroy, Technical School, supply milling machine, £3,259 11s. 9d.—Demco Machinery Co. (Vic.) Pty. Ltd.

1084. Glenroy, Technical School, supply drilling machine, £379 1s.—Herbert Osborne Pty. Ltd.

1085. Melbourne, Public Library of Victoria, supply and fix curtains, £1,700.—Hoad Manufacturing Pty. Ltd.

1086. Coburg, Technical School, supply benches, £427 17s. 8d.—Traralgon Furniture Pty. Ltd.

1087. Cobram, Consolidated School, supply chairs and tables, £536 18s.—Namco Furniture Contract Division.

1088. Hawthorn, Swinburne Technical School, supply workshop equipment, £819 5s. 6d.—Watson Victor Ltd.

1089. Moorabbin, Technical School, supply furnace, £310 18s.—National Heating Pty. Ltd.

1090. Moorabbin, Technical School, supply hardness tester, £259.—W. & T. Avery (Aust.) Pty. Ltd.

1091. Moorabbin, Technical School, supply grinding machine, £2,415 10s.—Elgar Machinery (A'Asia) Pty. Ltd.

1092. Moorabbin, Technical School, supply lathe and equipment, £1,945.—McPherson's Ltd.

1093. Moorabbin, Technical School, supply milling machine, £2,110 10s.—Marweight Equipment Pty. Ltd.

1094. Moorabbin, Technical School, supply milling machine, £2,493 15s.—Herbert Osborne Pty. Ltd.

1095. Moorabbin, Technical School, supply grinding machine, £6,299.—Demco Machinery Co. (Vic.) Pty. Ltd.

1096. Braybrook, Tottenham Technical School, supply drilling machine, £399.—Herbert Osborne Pty. Ltd.

1097. Braybrook, Tottenham Technical School, supply shaping machine, £1,760.—Marweight Equipment Pty. Ltd.

1098. Kew, Mental Hospital, supply tables, £375 14s. 6d.—Sebel Sales Ltd.

1099. Kew, Mental Hospital, supply chairs, £283 10s.—Reed Engineering Pty. Ltd.

1100. Orbest, High School, supply lathe, £304 1s.—McPherson's Ltd.

1101. Mooroolbark, Technical School, supply lathes, &c., £2,197 7s.—McPherson's Ltd.

1102. Mooroolbark, Technical School, supply drilling machines, £289 1s. 6d.—Waldown Pty. Ltd.

MURRAY PORTER, Commissioner of Public Works. 7.10.64.

1246. Various schools, disconnexion, transportation and re-erection of approximately 100 existing timber-framed prefabricated portable class-rooms from various school sites to various school sites in Victoria, at rates.—A. V. Jennings Industries (Aust.) Ltd.
1247. Bayswater, High School, erection of extended third section in concrete veneer L.T.C., £61,078.—A. V. Jennings Industries (Aust.) Ltd.
1248. Boort, High School, provision of asphalt areas, retaining walls, drainage and associated works, £20,462 19s.—H. W. Snell Pty. Ltd.
1249. Janefield, Mental Hospital, new ward and boiler house, Girls' Section—Training Centre, £72,675.—A. V. Jennings Industries (Aust.) Ltd.
1250. Kangaroo Flat, Technical School, second and third sections of timber-framed concrete veneer school buildings, £49,200.—E. Mills & Sons Pty. Ltd.
1251. Ararat, Mental Hospital, supply and installation of steam heating, Ward FX dormitory, £574.—Ford-Swinton Industries Pty. Ltd.
1252. Bacchus Marsh, High School, construction of asphalt tennis courts with fencing and associated works, £2,790 18s.—J. H. Gould.
1253. Beaumaris, State School No. 3899, installation of staff toilet, sewer drains, &c., £592 3s.—H. S. Bolger.
1254. Beaumaris, Police Station Residence, electrical installation, £712 12s.—G. Kay & Co.
1255. Beaumaris, Police Station and Residence, supply and installation of gas hot-water services, £318 10s.—A. W. Jamieson.
1256. Box Hill, Girls' Technical School, re-roofing old school building, renovations and painting, £5,616.—W. Willis.
1257. Burnley, Burnley Gardens, supply and installation of electricity supply cable to new seed testing laboratory, £874.—Ross Bros. Electrical Engineers & Contractors Pty. Ltd.
1258. Cheltenham Heights, State School No. 4930, supply and installation of two (2) effluent pumps, £422 19s. 5d.—Shine Engineering Services.
1259. Clayton, Technical School, electrical installation in stages 2 and 3, £4,660.—J. H. King Electrics.
1260. Coburg, Pentridge Gaol, supply and fixing steel tray roof decking, box gutter, downpipes, flashing and skylights, £1,470.—Allied Roofing and Painting Industries Pty. Ltd.
1261. Coburg, Pentridge Gaol, fabrication of a galvanizing bath, £295.—A. P. Schonfelder Pty. Ltd.
1262. Deer Park, State School No. 1434, erection of female staff toilet, £499.—V. Laizans & Son.
1263. Digger's Road, State School No. 4312, residence, repairs and painting, £560.—N. Peshut.
1264. Dingley, State School No. 4257, erection of fencing (party and non-party), £568 1s.—R. W. Lee.
1265. Dousta Galla, State School No. 4708, repairs and painting, £1,807.—North Essendon Painting Service.
1266. Geelong, Training Prison, ventilation equipment in Chapel, £654.—H. A. Langmead.
1267. Healesville, High School, repairs and painting residence—Harker-street, £334.—W. Willis.
1268. Heywood, Consolidated School, removal of Condah State School residence to Heywood Consolidated School site—No. 5 Scott-street, £2,489 15s.—H. Nieland.
1269. Horsham, High School, repairs and painting, residence, 11 Bennett-road, £575 16s. 7d.—North Western Master Painters.
1270. Jamieson, State School No. 814 Residence, internal and external repairs and painting, £936.—North Essendon Painting Service.
1271. Kyabram, State School No. 4866, provision of asphalt areas, drainage, beautification and associated works, £3,857 16s.—R. H. Mansfield.
1272. Langkoop, State School No. 2633, repairs and painting, £1,150.—K. H. Helstrup.
1273. Malmsbury, Youth Training Centre, supply and installation of effluent pump and desludging pump, £807 15s.—C. A. Hansen.
1274. Melbourne, Treasury Building, Board Room, Public Service Board, supply and erection of seven (7) off double hung windows, &c., £566 10s.—A. J. Brooks (Vic.) Pty. Ltd.
1275. Melbourne, Titles Office, repairs and replacement of door closers, furniture and stops, £571.—R. B. Anderson.
1276. Melbourne, Police Headquarters, part internal renovations to north wing—McKenzie-street Building, £799.—G. J. Little.
1277. Melbourne, Agriculture Department, Head Office, Treasury-place, maintenance cleaning, 1.9.64 to 31.8.65, £5,500.—Vinyl Office Cleaning Service.
1278. Mooroolbark, State School No. 4417, non-party fencing, £964.—R. W. Lee.
1279. Newport, State School No. 113, chain-mesh fence, £464 2s.—Tame's Wire Fence Co.
1280. Noble Park, State School No. 3675, roof repairs to school, renovations to residence, £1,047.—Jay Gee Plumbing Service.
1281. Ormond East, State School No. 4366, additional bedroom and alterations, caretaker's residence, £594.—P.R.P. Trio Builders.
1282. Prahran, Public Works Department, Grange-road, painting metal structure of MacRobertson Bridge, £1,189.—J. A. MacPherson.
1283. Pyramid Hill, Police Station and Residence, repairs and painting, £665.—G. W. Hardy.
1284. Ringwood, Technical School, extension of heating and hot-water services, £7,107.—Ford-Swinton Industries Pty. Ltd.
1285. Rosebery, State School No. 3190, renovations, erect shelter pavilion, £938 16s. 3d.—D. Heenan.
1286. Royal Park, Social Welfare Department, "Quamby", Turana, electrical installation, £315 10s.—M. Camerino.
1287. St. Arnaud, 70 Canterbury-street, Clerk of Courts Residence, sewerage connexion and water supply renewal, £694.—E. A. Davey.
1288. Sheep Hills, State School No. 1934, erection of shelter pavilion, £456 16s.—D. Heenan.
1289. Shepparton, State School No. 4666, supply and installation of extensions to central heating, £1,701 15s.—J. Harrison Pty. Ltd.
1290. South Yarra, Government House, erection of a timber-framed residence for house manager, £5,353 5s.—Robian Pty. Ltd.
1291. South Yarra, Government House, electrical installation, caretaker's residence, £256.—G. G. Kay & Co.
1292. Sunbury, Mental Hospital, repairs to roof of Day Room at Ward F.5, £254.—A. H. Griffiths.
1293. Sunshine, Technical School, installation of but-tresses to boys' toilets, £364.—G. & A. Power Pty. Ltd.
1294. Yarra Glen, State School No. 956 and Residence, external repairs and painting, £1,100.—J. M. Appleby.
1295. Yarram, State School No. 693, re-blocking, new extension, repairs and painting to residence—Union-street, £1,515.—H. A. Wilson.
1296. Various, High Schools, extended 3rd sections to four (4) timber-framed High Schools, £252,088.—P. M. Versteegen & Sons Pty. Ltd.
1297. Broadmeadows, Technical School, second and third sections of timber-framed concrete veneer school buildings, £61,793.—A. V. Jennings Industries (Aust.) Ltd.
1298. Burbank, State School No. 4917, erection of six class-room Primary school, £35,500.—G. & A. Power Pty. Ltd.
1299. Heathcote, Police Station, erection of brick veneer residence and office, garage and demolition of existing school buildings, £13,750.—R. Hodges.
1300. Laverton, Police Station, erection of brick two story police office, residence, store and boiler room, £26,400.—Estlyn Builders.
1301. Parkdale, High School, erection of first and second sections, £96,598.—A. V. Jennings Industries (Aust.) Ltd.
1302. Studfield, State School No. 4920, new primary school buildings of eight class-rooms, &c., £36,846.—A. V. Jennings Industries (Aust.) Ltd.
1303. Tallangatta, High School, surface and underground drainage, road and pedestrian pavements and associated works, £10,889 7s.—A. P. Delaney & Co. Pty. Ltd.
1304. Aberfeldie, State School No. 4220, extension cleaner's residence, £495.—V. Laizans & Son.
1305. Alexandra, High School Residence, erection of new toilet and installation of septic tank and drains, with connexion of necessary services, £295.—R. Longton.
1306. Alexandra, High School Residence, installation of septic tank and erection of new W.C., £289 10s.—L. E. Coker.
1307. Alexandra, High School, re-sheeting of roof areas, £1,335.—R. Longton.
1308. Armadale, Education Department, Frank Tate House, renovations to staff and students' quarters, &c., £3,897.—O. Sokol.
1309. Bacchus Marsh, Police Station, connexion to town sewerage, £418 5s. 6d.—C. Clarke & Sons.
1310. Ballendella, State School No. 3732, painting and repairs, £881 12s. 6d.—A. C. Meyenn.
1311. Ballarat, School of Mines and Junior Technical School, provision of washing facilities, £335.—Fargher & Roff.
1312. Ballarat, Mental Hospital, renewal of spoutings and downpipes to Wards 1 and 2, £525 15s.—Fargher & Roff.
1313. Beaufort, State School No. 60, external and internal painting, £329 5s.—Goodwood Decorating Service.
1314. Beaumaris North, State School No. 4803, replacement of existing warm air furnace and associated modifications to plenum system, £1,314.—Chadstone Air Conditioning Services.

1315. Benalla, State School No. 31, New fencing and repairs, £402 10s.—J. T. Hale.
1316. Bendigo, 16 Finn-street, Licensing Court Residence, additional bedroom accommodation, £1,198 6s.—N. C. Thirlwell.
1317. Bengworden, State School No. 1863 and Residence, external painting, &c., £471 10s.—G. F. Dungey.
1318. Booroohite, State School No. 2157, external painting and repairs, £459.—L. R. Brock.
1319. Boronia, State School No. 4081, surface and underground drainage, road and pedestrian pavements, £9,029 4s. 9d.—Wm. Loud Pty. Ltd.
1320. Boxwood, State School No. 2089, repairs and painting, £946.—J. T. Hale.
1321. Broadmeadows, Technical School, supply and installation of extensions to central heating and hot-water service—stage 3, £4,137.—Ford-Swinton Industries Pty. Ltd.
1322. Burbank, State School No. 4917, electrical installation in new school of six (6) class-rooms, &c., £1,318 3s. 3d.—Roy Ivey & Sons Pty. Ltd.
1323. Burbank, State School No. 4917, plenum heating in new six class-room school, £1,958.—Chadstone Air Conditioning Services.
1324. Campbells Creek, State School No. 120, erection of new garage at residence, £250.—F. J. Green.
1325. Camperdown, High School, connexion to main sewer and internal toilet, residence, 6 Dowling-street, £389 10s.—M. & L. Driscoll.
1326. Clayton North, State School No. 734, new display boards, repairs and painting, £2,860.—J. Mazzetti.
1327. Cobram, Agriculture Department, fruit fly road block, erection of shelter and toilet, £298.—J. G. Grosby & Son.
1328. Cohuna, Consolidated School, internal repairs and painting, residence, 5 Park-lane, £305.—A. L. Hester.
1329. Collingwood, Technical School, extension of retaining walls and erection of new store, £1,379 3s.—V. J. Dowd.
1330. Croydon, Yarra-road, State School No. 4219, retaining wall, concreting, drainage, and associated works, £2,286.—J. W. Warner (Civil Engineering).
1331. Dandenong, Technical School, completion of garage, £440.—Gippsland Cabinet Works.
1332. Devon Meadows, State School No. 3924, erection of boundary fencing, £312 18s.—G. F. Hermans.
1333. Doon, State School No. 1782 and residence, repairs, internal and external painting, £400.—W. J. Hill.
1334. Doveton, High School, connexion to sewerage main, £837 10s.—Gippsland Cabinet Works.
1335. Drouin South, State School No. 2313, repairs and painting—school and residence, £1,762.—Apex Painting Service.
1336. Dunrobin, State School No. 3777, internal repairs and painting, £282 4s. 6d.—F. W. Jeffreys.
1337. Eaglehawk, High School, electrical installation in stages one and two, £6,243 15s. 2d.—W. Phelan & Sons Pty. Ltd.
1338. Elmore, Court House, supply, delivery, installation and testing of evaporative cooling system, sink heater and circulating fans, £868 15s.—J. G. Hibberd Pty. Ltd.
1339. Eltham, Court House, new toilet block and septic tank installation, £580 10s.—C. McCarthy.
1340. Footscray, Technical School, installation and supply of Chemistry Laboratory benches, £2,223.—R. & H. Rivett.
1341. Geelong, Training Prison, renovations to Staff Quarters, £849 7s.—J. T. Jeremiah.
1342. Glenmore, State School No. 3688, repairs and painting to Handwork Room, £385.—Mawby & Rixon.
1343. Golden Square, State School No. 1189, internal and external renovations to Residence, 140 Neale-street, £323 10s.—R. L. Kirby.
1344. Hawksburn, State School No. 1467, new timber fire escape stairway, £768.—Barron Bros.
1345. Hamilton, Public Works Department, Offices, supply and erection of glazed aluminium porch screen, £326.—Allied Aluminium Products Pty. Ltd.
1346. Hamilton South West, State School No. 4847, plenum heating to eight (8) class-room school, £2,375.—Gray & Wood.
1347. Heathcote, Police Station and Residence, supply and installation of hot water services and L. P. gas service and installation of slow combustion stove, £312 17s.—J. G. Hibberd Pty. Ltd.
1348. Heidelberg West, State School No. 4267, repairs and painting of Infants School, £736.—E. C. Galea.
1349. Horsham, State School No. 298 Residence, 34 Doon-road, various works and general repairs, £415 2s. 6d.—H. G. Gregor.
1350. Keon Park, State School No. 4739, additional washing facilities, £378.—J. M. Coon.
1351. Kerrimuir, State School No. 4816, connexion to sewer main, £795 10s.—P. C. Brewer.
1352. Lal Lal, State School No. 863, new toilet block, tanks and stands, £955.—A. & B. Oswald Pty. Ltd.
1353. Lara Lake, State School No. 769, renovations and painting, £763.—H. De Vries.
1354. Laverton, Police Station and Residence, supply and installation of central heating system and electric hot-water services, £2,695.—Goedemans Engineering.
1355. Lexton, State School No. 1569 Residence, provision of bathroom at residence, £252 10s.—C. S. Astbury.
1356. Longerenong, Agricultural College, Biology and Physics Laboratory, repairs to ant damaged windows and general repairs, £259 10s.—H. G. Gregor.
1357. Maryborough, District School Inspector's Residence, 16 Peel-street, external and internal repairs and painting, £610.—R. J. Coghlan.
1358. Melbourne, 470 St. Kilda-road, Secondary Female Teachers' Hostel, electrical installation—improved lighting, £1,187 14s. 9d.—Amberley & Co.
1359. Melbourne, Department of Labour and Industry, Centenary Hall, 100 Exhibition-street, supply and installation of telephone intercommunication system, £825 5s.—Ericsson Telephones (Aust.) Pty. Ltd.
1360. Merrigig, State School No. 1379, repairs and re-painting, £770.—R. Parwanoff.
1361. Mildura, High School, erection of non-party fencing to caretaker's residence, £317.—K. P. Collins.
1362. Moonee Ponds, State School No. 3987, installation of stainless steel drinking troughs, £330.—T. J. Brown.
1363. Moorabbin West, State School No. 4643, internal repairs and painting, £1,903 13s.—Keogh & Neilson.
1364. Mornington, State School No. 2033, staff toilet and basin, £312 6s.—J. F. Ferrero.
1365. Mortlake, Higher Elementary School No. 397, chain mesh fencing and painting, £450.—E. J. Hawkins.
1366. Morwell, Laburnum-street, Technical School Residence, connexion to sewer, £325.—M. V. Corbett.
1367. Mt. Buffalo, National Parks Authority, Ranger's Residence, electrical installation, £1,617 15s.—Worboys & Currie.
1368. Mt. Waverley, Police Station, connexion to main sewer, Residence, £620.—D. MacKinnon.
1369. Norlane, State School No. 4734, provision of office and toilet for Infant Mistress, £1,575.—N. A. Gillanders.
1370. Northcote, State School No. 1401, electrical installation in Visual Education Centre, £409.—D. D. Elliott.
1371. Redan, State School No. 1289, renewal of floors to class-rooms—repairs and painting, to toilet block, £432 14s.—B. W. Garnham.
1372. Red Cliffs, 58 Guava-street, Lands and Survey Residence, renovations and painting residence, £568 15s.—E. W. A. Tippett.
1373. Rochester, Police Station, electrical installation, £279 1s.—R. L. Campbell Pty. Ltd.
1374. Rochester, High School, supply and erection of tanks and stands and stainless steel trough, £335 10s.—J. G. Hibberd Pty. Ltd.
1375. Rokewood, State School No. 531, new shelter pavilion and reblocking, £500 10s.—R. J. Smith.
1376. Rutherglen, State School No. 522, chain mesh fencing—non-party, £560.—Cyclone Company of Australia Ltd.
1377. Sale, 8A, 8B Barkly-street, Technical School, internal toilets and renovations to residences, £1,204 10s. 6d.—T. J. Liddell.
1378. Scarsdale, State School No. 980, residence, water storage facilities, £280.—Fargher & Roff.
1379. Sea Lake, High School, erection of timber framed residence and garage, £6,290.—W. M. Lowe & Sons Pty. Ltd.
1380. Shepparton, State School No. 4742, external painting of original school building, £631 14s.—N. L. Pinder.
1381. Shepparton, School Inspector's Residence, internal and external renovations, £434 10s.—N. L. Pinder.
1382. Silvan South, State School No. 4259 and Residence, internal repairs and painting to School Building and Residence, £445.—W. Willis.
1383. Somerville, Residence, State School No. 2656, additional toilets to School, septic tank for Residence, £685 12s.—J. F. Ferrero.
1384. Southmoor, State School No. 4910, erection of chain mesh fence and gates, £368.—A. Arnold's Fences Pty. Ltd.
1385. Studfield, State School No. 4920, plenum heating in new eight class-room school, £2,070.—Chadstone Air Conditioning Services.
1386. Sunbury, State School No. 1002, Residence, replacing external wall sheeting with weatherboards, £285.—L. W. Friezer.
1387. Sunbury, Mental Hospital, replacement of windows at Ward F.6, £365.—L. W. Friezer.
1388. Sunvale, State School No. 4818, external repairs and painting, £663.—J. Mazzetti.

1389. Tandarook, Residence, State School No. 3421, (non-party) fencing, £280.—E. J. Hawkins.

1390. Tatura, Police Station Residence, removing existing tiles and replacing with new, £470.—Bendigo Pottery Pty. Ltd.

1391. Tinamba, State School No. 1665, internal and external repairs and painting to Residence, £615.—Apex Painting Service.

1392. Traralgon, Technical School, addition of two entrance porches, £1,400.—R. O'Donnell Pty. Ltd.

1393. Wangaratta, P.W.D. Residence, 4 Graham-avenue, repairs and additional accommodation, £445 7s.—R. O. Tobias.

1394. Werrimull, Group School No. 4254, provision of internal female staff toilet, £295.—K. P. Collins.

1395. Yarra Glen, State School No. 956, new fence and gate, £507.—A. Arnold's Fences Pty. Ltd.

MURRAY PORTER, Commissioner of Public Works, 12.10.64.

ORDERS IN COUNCIL.—(Series 1963-64.)

STATE ELECTRICITY COMMISSION.

5613. For the construction of a 21-story administrative office building at 15-25 William-street, together with the completion of existing sub-structure and services, to Specification 63-64/87, £3,167,330.—E. A. Watts Pty. Ltd.

Approved by the Governor in Council, 25th August, 1964.—J. COLQUHOUN, Clerk of the Executive Council.

5614. For the supply of 9,000 feet of 48-in. steel cable conveyor belting for No. 108 conveyor, Yallourn Open Cut, to Specification 63-64/339, £61,205 12s. 6d.—Goodyear Tyre & Rubber Co. (Aust.) Ltd.

Approved by the Governor in Council, 8th September, 1964.—J. COLQUHOUN, Clerk of the Executive Council.

5615. For the supply of paper insulated supervisory control cable for a period of two years, to Specification 64-65/32, at Schedule rates.—Cablemakers (A.C.T.) Pty. Ltd.

5616. For the construction of H.V. and/or L.V. lines and sub-stations within the Commission's Mildura Branch area for a period of approximately two years, to Specification 63-64/286, at Schedule rates.—J. E. Griffiths.

5617. For the supply and delivery of twenty international trucks for changeover of high mileage vehicles, to Quotation 910, £28,560 16s. 1d.—International Harvester Co. of Australia Pty. Ltd.

5618. For the supply of brass sanitary, water supply and petrol fittings for a period of two years, to Specification 64-65/3, at Schedule rates.—John McIlwraith Industries Ltd.

5619. For the supply of 60 kits for the conversion of light tray trucks into canopy trucks, to Specification 64-65/57, £9,360.—McCalman & Judd Pty. Ltd.

5620. For the supply of electrical appliances and spare parts for merchandising for a period of twelve months, to Quotation 752, at Schedule rates.—Sunbeam Corporation Ltd.

5621. For the supply of heavy duty outdoor switchboxes for metropolitan and country terminal stations and sub-stations for a period of two years, to Specification 63-64/287, at Schedule rates.—Temtool Pty. Ltd.

5622. For the supply of hacksaw blades for a period of two years, to Specification 63-64/177A, at Schedule rates.—United Engineering Supply Co. Pty. Ltd.

5623. For the supply of electrical appliances and spare parts for merchandising for a period of twelve months, to Quotation 751, at Schedule rates.—Vulrange Distributors Pty. Ltd.

Approved by the Governor in Council, 22nd September, 1964.—J. COLQUHOUN, Clerk of the Executive Council.

ORDERS IN COUNCIL.—(Series 1964-65.)

PUBLIC WORKS.

1103. Camperdown, State School No. 114, special grant authorized by the Education Department towards cost of construction of a library building at the school, £1,718.—Camperdown State School No. 114 Committee. (S.W.32845.)

1104. Carlton, St. Nicholas Hospital, undermentioned offers for supply of furniture and curtains, &c.:—
Supply and fix curtains, £819.—Moonee Furnishings Pty. Ltd. Supply furniture—chairs, £1,335.—J. R. Dunstan. Supply furniture—bed-ends, tables and wardrobes, £2,405 0s. 6d.—Bera Cabinet Works Pty. Ltd. (M.33668.)

1105. Vermont, State School No. 1022, special grant authorized by the Education Department towards the cost of construction of a library building at the school, £1,456.—Vermont State School No. 1022 Committee. (N.E.12338.)

1106. Westermport, anti-corrosive treatment of buoys, £2,176.—Dimet Corrosion Prevention Pty. Ltd. (P. & H. 23171 "A").

Approved by the Governor in Council, 6th October, 1964.—J. COLQUHOUN, Clerk of the Executive Council.

EDUCATION DEPARTMENT.

1108. Three only calculating machines (hand-operated), for Caulfield Technical College, £298 10s.—Sydney Pincombe Pty. Ltd.

1109. One only electronic welder control, for Collingwood Technical School, £370.—Sciaky Australia Pty. Ltd.

1110. One only Sheraton Cadet 6-in. lathe and accessories, for Essendon Technical School, £1,307 4s.—Demco Machinery Co. Pty. Ltd.

1111. One only Fortin barometer, (£55 18s.), one only Post Office Box, (£32 10s.), and one only Motion Tank, (£14 10s.), for Hamilton Technical School, £102 18s.—Townson & Mercer (Vic.) Pty. Ltd.

1112. One only Universal milling machine and accessories, for Horsham Technical School, £1,841 15s.—Specialized Machine Tools Pty. Ltd.

1113. One only bench folder, for Preston Technical School, £144 8s.—McPhersons Ltd.

1114. One only machine slide projector, magazine type with remote control, for Richmond Technical School, £101 0s. 8d.—Pyrox Ltd.

1115. One only "Bedford" diesel engine, (£383 18s.), one only distributor tester, (£268), and one only wheel balancer, (£168), for Richmond Technical School, £819 18s.—E. A. Machin & Co. Ltd.

1116. One only Strobflash Dawe 1200E, for Richmond Technical School, £140.—Electronic Industries Ltd.

1117. One only Hercus Lathe and accessories, for Richmond Technical School, £197.—Keep Bros. & Wood Pty. Ltd.

1118. Five only gearboxes "Falcon", (£210), and five only rear axle assemblies, (£240), for Richmond Technical School.—£450.—Ford Motor Co. of Aust. Ltd.

1119. One only Paragon kiln, (£95), and one only kiln pyrometer, (£33), for Ringwood Technical School, £128.—Camden Art Centre Pty. Ltd.

1120. One only cylindrical grinding machine, for Royal Melbourne Institute of Technology, £3,244 5s.—William Adams & Co. Ltd.

1121. Three only thermostatic control units, for Royal Melbourne Institute of Technology, £195.—Watson Victor Ltd.

1122. One only television receiver, (£430), and one only colour pattern generator, (£103), for Royal Melbourne Institute of Technology, £533.—R.C.A. of Australia Pty. Ltd.

1123. Six only communication receivers, for Royal Melbourne Institute of Technology, £198 12s.—Electronic Industries Imports Pty. Ltd.

1124. Three only regulated power supplies, for Royal Melbourne Institute of Technology, £156.—Amalgamated Wireless (Aust.) Ltd.

1125. One only automatic electric offset printing machine, (£825 less trade-in on old machine £25), for Royal Melbourne Institute of Technology, £800.—Gestetner Pty. Limited.

1126. One only automatic CO₂ gas shield arc welding machine, for Royal Melbourne Institute of Technology, £1,896.—Weldex Pty. Ltd.

1127. One only overhead projector, for Royal Melbourne Institute of Technology, £125.—N.A.V.A. Pty. Ltd.

1128. One only research microscope and attachments, for Royal Melbourne Institute of Technology, £734.—Carl Zeiss Pty. Ltd.

1129. One only pottery kiln, for Benalla Technical School, £138 10s.—Elke Ceramic Pottery.

1130. Two only potters wheels, for Benalla Technical School, £180.—W. E. Tuck.

1131. One only D.C. amplifier for pen recorder, for Caulfield Technical College, £320.—Watson Victor Ltd.

1132. One only card sorter, (£518 4s.), and one only key punch, (£688), for Caulfield Technical College, £1206 4s.—IBM Australia Pty. Ltd.

1133. One only smoke tunnel, for Caulfield Technical College, £115.—H. Geary.

1134. One only overhead projector, for Caulfield Technical College, £120.—Minnesota Mining & Manufacturing (Aust.) Pty. Ltd.

1135. Two only Hercus 4½-in. lathes, (£578 14s.), and one only set slip gauges, (£126), for Footscray Technical College, £704 14s.—McPhersons Ltd.

1136. One only pottery kiln, for Frankston Technical School, £277.—Haigh Resistances Pty. Ltd.

1137. Two only potters wheels, for Frankston Technical School, £180.—W. E. Tuck.

1138. One only fully automatic flat knitting machine, for Melbourne School of Textiles, £1,260.—Wm. C. Jackson & Company Pty. Ltd.

1139. One only electric pottery kiln, (£246), and one only pyrometer, (£42), for Mildura Technical School, £288.—Amaigamated Electrical and Mechanical Industrial Service.

1140. One only pedestal grinder and wheels, for Royal Melbourne Institute of Technology, £136 10s.—Abel, Lemmon & Co. Pty. Ltd.

1141. One only regulated power supply, for Royal Melbourne Institute of Technology, £145.—Transtronics.

1142. One only 16-mm. sound motion picture projector, for Royal Melbourne Institute of Technology, £227 1s. 6d.—Kodak (Aust.) Pty. Ltd.

1143. One only chassis bender. (£110), and one only 3-ft. guillotine (sheetmetal), (£199 10s.), for Royal Melbourne Institute of Technology, £309 10s.—H. C. Horton.

1144. One only hand operated geared curving rolls, for Yallourn Technical College, £123.—McPhersons Ltd.

1145. One only 6½-in. Sheraton lathe, for Collingwood Technical School, £1,247 7s.—Demco Machinery Co. (Vic.) Pty. Ltd.

(This is in lieu of Order in Council published in the *Government Gazette* 4th December, 1963, in respect of Collingwood Technical School only.)

1146. One only set of end rods and accessories, for Gordon Institute of Technology, Geelong, £190 16s.—McPhersons Ltd.

(This is in lieu of Order in Council published in the *Government Gazette*, 24th June, 1964, in respect of the Gordon Institute of Technology only.)

Approved by the Governor in Council, 6th October, 1964.—J. COLQUHOUN, Clerk of the Executive Council.

PUBLIC NOTICE.

ALL persons who as producers of farm produce have any claim against North Western Fruit Growers (Melbourne) Pty. Ltd., 114-118 Capel-street, North Melbourne, arising from any failure on its part to pay or account for any moneys payable to them by the said North Western Fruit Growers (Melbourne) Pty. Ltd., are required to forward particulars and proof of such claims to the Director of Agriculture, Public Offices, Melbourne, C.2, on or before the 10th November, 1964.

FRANK M. READ,
Director of Agriculture.

PUBLIC NOTICE.

ALL persons who as producers of farm produce have any claim against North Western Fruit Growers Pty. Ltd., 36/47 Peel-street, Ballarat, arising from any failure on its part to pay or account for any moneys payable to them by the said North Western Fruit Growers Pty. Ltd., are required to forward particulars and proof of such claims to the Director of Agriculture, Public Offices, Melbourne, C.2, on or before the 10th November, 1964.

FRANK M. READ,
Director of Agriculture.

PUBLIC NOTICE.

ALL persons who as producers of farm produce have any claim against Vincenzo Bava, 569 Nicholson-street, North Carlton, arising from any failure on his part to pay or account for any moneys payable to them by the said Vincenzo Bava, are required to forward particulars and proof of such claims to the Director of Agriculture, Public Offices, Melbourne, C.2, on or before the 10th November, 1964.

FRANK M. READ,
Director of Agriculture.

PUBLIC NOTICE.

ALL persons who as producers of farm produce have any claim against John Douglas Taylor, trading as John Taylor and Company, Launceston, Tasmania, arising from any failure on his part to pay or account for any moneys payable to them by the said John Taylor, are required to forward particulars and proof of such claims to the Director of Agriculture, Public Offices, Melbourne, C.2, on or before the 10th November, 1964.

FRANK M. READ,
Director of Agriculture.

Melbourne and Metropolitan BOARD OF WORKS.

NOTICE is hereby given that, after the publication of this advertisement in the *Government Gazette* and once in not less than two daily newspapers published in the metropolis, the Melbourne and Metropolitan Board of Works will proceed to compulsorily take (unless the same is in the meantime acquired by the Board from the owner or owners or other persons interested by mutual agreement) the land mentioned and described in the Schedule hereto.

The nature of the works in respect of which the land is proposed to be taken is for the purposes in connexion with the Silvan-Doncaster-Preston Water Supply Main.

A plan of the proposed works will be open for inspection at the offices of the Board, 110 Spencer-street, Melbourne, from the date hereof until the 6th day of November, 1964, during office hours.

The quantity of land which the Board requires for the purpose of such works and other particulars are set forth below.

The consent of the Governor in Council was duly obtained in terms of the Board's principal Act (No. 6310), on the 15th day of September, 1964.

SCHEDULE.

Firstly.—All that piece of land being part of Crown allotment D, section 18, Parish of Bulleen, commencing at a point in the western boundary of the said Crown allotment D, 3,124 ft. 5 in. north of Porter-street; thence easterly by a line bearing 127 deg. 31½ min. for 777 ft. 3 in. to the eastern boundary of the land in certificate of title, volume 6728, folio 529; thence northerly by the last-mentioned boundary for 83 ft. 2½ in.; thence westerly by a line bearing 307 deg. 31½ min. for 777 ft. 3 in. to the western boundary of the said Crown allotment D; thence southerly by the last-mentioned boundary for 83 ft. 2½ in. to the commencing point.

Secondly.—All that piece of land being part of Crown allotment D, section 18, Parish of Bulleen, commencing at a point in the eastern boundary of the said Crown allotment D, 2,589 ft. 6 in. north of Porter-street; thence northerly by the last-mentioned boundary for 66 ft. 5 in.; thence westerly by lines bearing 276 deg. 26½ min. for 560 ft. 0½ in. and 307 deg. 30 min. for 32 ft. 9½ in.; thence southerly by a line bearing 180 degrees for 83 ft. 2½ in.; thence easterly by a line bearing 96 deg. 26½ min. for 585 ft. 10 in. to the commencing point.

Dated the 8th day of October, 1964.

H. J. SNADDEN,
Secretary.

DEPARTMENT OF LABOUR AND INDUSTRY.

DETERMINATION OF THE SHOPS BOARD No. 10 (FISH AND POULTRY).

ATTENTION is drawn to the fact that a notice of appeal to the Industrial Appeals Court has been lodged against clause 1 (a) of Part II. headed "Scallop Processing" of the Determination of the Shops Board No. 10 (Fish and Poultry), made on the 21st September, 1964.

Section 45 (1) (b) of Act No. 6283 provides that when an appeal is made in accordance with that Act, the parts of the Determination appealed against shall not come into operation until the appeal has been dealt with by the Court.

M. WALSH,
Secretary.

Town and Country Planning Act 1961.

GEELONG PLANNING SCHEME 1959.

NOTICE OF APPROVAL.

Amendment No. 2, 1964.

(SHIRE OF SOUTH BARWON).

IN pursuance of the powers conferred by the *Town and Country Planning Act 1961*, the Governor in Council, on the 13th October, 1964, approved a planning scheme entitled the *Geelong Planning Scheme 1959, Amendment No. 2, 1964* (Shire of South Barwon), in respect of part of the municipal district of the Shire of South Barwon.

A copy of the planning scheme as approved may be inspected during office hours at the office of the Town and Country Planning Board, 179 Queen-street, Melbourne; at the office of the South Barwon Shire Council, Mt. Pleasant-road, Belmont; and, when available, at the Office of Titles, Melbourne, and at the Central Plan Office of the Department of Crown Lands and Survey, Melbourne.

W. H. CRAIG, Secretary,
Town and Country Planning Board.

AUCTION SALES ACT 1958.

ARARAT.—Notice is hereby given that the Annual Meeting of Justices for the Licensing of Auctioneers will be held at the Court House, Ararat, on Tuesday, the 24th day of November, 1964, at Ten o'clock in the forenoon. Dated at Ararat this 8th day of October, 1964.—J. L. THOMPSON, Clerk of Petty Sessions.

BAIRNSDALE.—Notice is hereby given that the Annual Meeting of Justices for the Licensing of Auctioneers will be held at the Court House, Bairnsdale, on Tuesday, the 24th day of November, 1964, at Ten o'clock in the forenoon. Dated at Bairnsdale this 9th day of October, 1964.—D. H. WARD, Clerk of Petty Sessions.

BENDIGO.—Notice is hereby given that the Annual Meeting of Justices for the Licensing of Auctioneers will be held at the Law Courts, Bendigo, on Tuesday, the 24th day of November, 1964, at Ten o'clock in the forenoon. Dated at Bendigo, the 7th day of October, 1964.—S. G. MITCHELL, Clerk of Petty Sessions.

CASTERTON.—Notice is hereby given that the Annual Meeting of Justices for the Licensing of Auctioneers will be held at the Court House, Casterton, on Tuesday, the 24th day of November, 1964, at Ten o'clock in the forenoon. Dated at Casterton, this 8th day of October, 1964.—R. J. MCALLISTER, Clerk of Petty Sessions.

DAYLESFORD.—Notice is hereby given that the Annual Meeting of Justices for the Licensing of Auctioneers will be held at the Court House, Daylesford, on Tuesday, the 24th day of November, 1964, at Ten o'clock in the forenoon. Dated at Daylesford, this 9th day of October, 1964.—M. W. GERKENS, Clerk of Petty Sessions.

ELMORE.—Notice is hereby given that the Annual Meeting of Justices for the Licensing of Auctioneers will be held at the Court of Petty Sessions, Elmore, on Tuesday, the 24th day of November, 1964, at Ten o'clock in the forenoon.—G. P. MURPHY, Clerk of Petty Sessions.

HAMILTON.—Notice is hereby given that the Annual Meeting of Justices for the Licensing of Auctioneers will be held at the Court House, Hamilton, on Tuesday, the 24th day of November, 1964, at Ten o'clock in the forenoon. Dated at Hamilton, the 5th day of October, 1964.—D. W. HAMMOND, Clerk of Petty Sessions.

INGLEWOOD.—Notice is hereby given that the Annual Meeting of Justices for the Licensing of Auctioneers will be held at the Court of Petty Sessions, Inglewood, on Tuesday, the 24th day of November, 1964, at Ten o'clock in the forenoon. Dated at Inglewood, this 6th day of October, 1964.—G. P. MURPHY, Clerk of Petty Sessions.

KERANG.—Notice is hereby given that the Annual Meeting of Justices for the Licensing of Auctioneers will be held at the Court House, Kerang, on Tuesday, the 24th day of November, 1964, at Ten o'clock in the forenoon. Dated at Kerang this 8th day of October, 1964.—P. W. WESTMORE, Clerk of Petty Sessions.

MELBOURNE.—Notice is hereby given that the Annual Meeting of Justices for the Licensing of Auctioneers will be held at the Court of Petty Sessions, Melbourne, on Tuesday, the 24th day of November, 1964, at Ten o'clock in the forenoon. Dated at Melbourne, this 7th day of October, 1964.—R. H. GOSS, Clerk of Petty Sessions.

MOE.—Notice is hereby given that the Annual Meeting of Justices for the Licensing of Auctioneers will be held at the Court House, Moe, on Tuesday, the 24th day of November, 1964, at half-past Ten o'clock in the forenoon. Dated at Moe, this 9th day of October, 1964.—K. T. RYAN, Clerk of Petty Sessions.

MORWELL.—Notice is hereby given that the Annual Meeting of Justices for the Licensing of Auctioneers will be held at the Court House, Morwell, on Tuesday, the 24th day of November, 1964, at half-past Ten o'clock in the forenoon. Dated at Morwell, this 9th day of October, 1964.—D. L. CROFT, Clerk of Petty Sessions.

NHILL.—Notice is hereby given that the Annual Meeting of Justices for the Licensing of Auctioneers will be held at the Court of Petty Sessions, Nhill, on Tuesday, the 24th day of November, 1964, at Ten o'clock in the forenoon. Dated at Nhill, this 9th day of October, 1964.—E. MCGOWAN, Clerk of Petty Sessions.

SALE.—Notice is hereby given that the Annual Meeting of Justices for the Licensing of Auctioneers will be held at the Law Courts, Sale, on Tuesday, the 24th day of November, 1964, at Ten o'clock in the forenoon. Dated at Sale this 8th day of October, 1964.—J. E. WALLACE, Clerk of Petty Sessions.

TRARALGON.—Notice is hereby given that the Annual Meeting of Justices for the Licensing of Auctioneers will be held at the Court House, Traralgon, on Tuesday, the 24th day of November, 1964, at Ten o'clock in the forenoon. Dated at Traralgon, this 9th day of October, 1964.—D. L. CROFT, Clerk of Petty Sessions.

WANGARATTA.—Notice is hereby given that the Annual Meeting of Justices for the Licensing of Auctioneers will be held at the Law Courts, Wangaratta, on Tuesday, the 24th day of November, 1964. Dated at Wangaratta this 9th day of October, 1964.—A. VALE, Clerk of Petty Sessions.

WARRAGUL.—Notice is hereby given that the Annual Meeting of Justices for the Licensing of Auctioneers will be held at the Court House, Warragul, on Tuesday, the 24th day of November, 1964, at Ten o'clock in the forenoon. Dated at Warragul this 12th day of October, 1964.—J. H. WILKINSON, Clerk of Petty Sessions.

WARRNAMBOOL.—Notice is hereby given that the Annual Meeting of Justices for the Licensing of Auctioneers will be held at the Court House, Warrnambool, on Tuesday, the 24th day of November, 1964, at Ten o'clock in the forenoon.—V. G. STAFFORD, Clerk of Petty Sessions.

WODONGA.—Notice is hereby given that the Annual Meeting of Justices for the Licensing of Auctioneers will be held at the Court House, Wodonga, on Tuesday, the 24th day of November, 1964, at Ten o'clock in the forenoon. Dated at Wodonga, this 8th day of October, 1964.—J. T. KNIGHT, Clerk of Petty Sessions.

WONTHAGGI.—Notice is hereby given that the Annual Meeting of Justices for the Licensing of Auctioneers will be held at the Court House, Wonthaggi, on Tuesday, the 24th day of November, 1964, at Ten o'clock in the forenoon. Dated at Wonthaggi, this 9th day of October, 1964.—M. J. SHELTON, Clerk of Petty Sessions.

YARRAM.—Notice is hereby given that the Annual Meeting of Justices for the Licensing of Auctioneers will be held at the Court House, Yarram, on Tuesday, the 24th day of November, 1964, at Ten o'clock in the forenoon. Dated at Yarram, this 9th day of October, 1964.—R. A. ISON, Clerk of Petty Sessions.

YARRAWONGA.—Notice is hereby given that the Annual Meeting of Justices for the Licensing of Auctioneers will be held at the Court House, Yarrowonga, on Tuesday, the 24th day of November, 1964. Dated at Yarrowonga this 9th day of October, 1964.—A. VALE, Clerk of Petty Sessions.

Co-operation Act 1958.

CARNEGIE TRADERS CO-OPERATIVE LIMITED.

NOTICE OF DISSOLUTION OF SOCIETY.

NOTICE is hereby given that I have this day registered the dissolution of the above-named society and have cancelled its registration under the above-named Act.

Dated at Melbourne this sixth day of October, 1964.

J. W. JUNGWIRTH,
Deputy Registrar of Co-operative Societies.

Soil Conservation and Land Utilization Act 1962 (No. 6911).
**LANDSBOROUGH WEST No. 1 GROUP
 CONSERVATION AREA.**

NOTICE is hereby given that I, James Charles Murray Balfour, Her Majesty's Minister for Conservation for the State of Victoria under powers conferred by Division 1A, section 24A, of the *Soil Conservation and Land Utilization Act 1962 (No. 6911)* hereby declare to be a group conservation area the land embraced by the Crown allotments and parts of Crown allotments listed below together with the Road Reserves in the Parishes of Landsborough, Crowlands and Joel Joel as particularly designated in Drawing No. 1091 and marked "GA/11" and lodged at the office of the Soil Conservation Authority, 378 Cotham-road, Kew, and do further declare that it shall be known as the Landsborough West No. 1.

Group Conservation Area.

Parish.	Crown Allotments.	Parts of Crown Allotments.
Landsborough ..	Section IV., Allots. 8, 8A	Section IV.—7, 9, 11, 15, 16, 17, 18
Crowlands ..	Section IX., Allots. 3, 4	Section IX.—2, 5, 8, 9
Joel Joel	144, 145, 146

J. C. M. BALFOUR,
 Minister for Conservation.

30th September, 1964.

NOTICE TO MARINERS.
 [No. 14 of 1964] T.

AUSTRALIA.—VICTORIA.

PORT PHILLIP.

Buoys Established.

Position.—Picnic Point Sandringham Breakwater Light, Lat. 37 deg. 57 min. S., Long. 145 deg. 00 min. E. (Approx.)

Details.—Buoys have been established in the following positions from the above position.

- (a) 201 degrees distant 1.41 miles.
- (b) 246 degrees distant 1.07 miles.
- (c) 314 degrees distant 0.21 miles.
- (d) 238 degrees distant 0.21 miles.

Two additional buoys have been established approximately 50 yards and 100 yards respectively off the breakwater.

Character.—The four buoys (a), (b), (c) and (d) with staff are painted White with Yellow intersecting Discs on top 8 feet above water. The two other buoys with staff have a Yellow Conical Top.

Remarks.—The buoys will be withdrawn about 10th May, 1965.

Chart Affected.—B.A. 1171.

A. J. WAGGLEN,
 Port Officer.

Ports and Harbors Branch,
 Department of Public Works,
 Melbourne, C.2, 7th October, 1964.

APPOINTMENTS.

HIS Excellency the Governor of the State of Victoria, by and with the advice of the Executive Council thereof, has by Orders made on the 6th day of October, 1964, been pleased to make the under-mentioned appointments, viz.:—

CHIEF SECRETARY'S DEPARTMENT.

Honorary Probation Officers.

NOEL KINGSLEY COCKINGS (the Reverend), 2 Campbell-street, Glen Waverley,
 BRIAN LESLIE HOWE (the Reverend), 117 Main-road, Eltham,
 ROBERT JOHN HARDING LAMBERT (the Reverend), St. James' Vicarage, Mortlake,
 ALAN JOHN MATHESON (the Reverend), 85 Athol-street, Moonee Ponds,
 GORDON EUGENE OWENS, 31 Glenora-avenue, East Coburg,
 MICHAEL FRANCIS SKILLEN, 6 Gish-court, Glenroy, and
 PETER DOUGLAS TUNSTALL, 28 Tulip-crescent, Boronia,

pursuant to the provisions of section 10 (1) of the *Children's Court Act 1958*, to be Honorary Probation Officers for all Children's Courts in Victoria.

Licensing Inspector.

SIDNEY GLANVILLE, Inspector of Police, Grade I., to be a Licensing Inspector for the purposes of the *Licensing Act 1958*, vice Edward Charles Ewen, Inspector of Police, Grade I., resigned.

Returning Officer.

REGINALD ERNEST DARLING to be the Returning Officer for the Electoral District of Albert Park, vice Harold Francis Alexander, deceased.

DEPARTMENT OF CROWN LANDS AND SURVEY.

Trustee of Yarra Bend Park.

HORACE NIXON

to be a Trustee of the land permanently reserved on the 26th March, 1935, as a site for Public Park and Recreation in the Parishes of Boroondara and Jika Jika, in the place of Alfred Douglas Hardy, deceased.

MINISTRY OF HEALTH.

Government Representative on Hospital Committee.
 (Pursuant to Hospitals and Charities Act.)

EDWARD MALLEE TOBIN

to be Government Representative on Committee of Management of Ouyen and District Hospital, pursuant to the provisions of section 48 of the *Hospitals and Charities Act 1958*, for a further period of three years as from 27th October, 1964.

LAW DEPARTMENT.

Acting Judge of Supreme Court.

EDWARD HAMILTON ESLER BARBER, a Judge of the County Court of the State of Victoria, to be an Acting Judge of the Supreme Court of the State of Victoria, during the absence of the Honorable Sir Reginald Richard Sholl, on approved leave, to take effect from the 6th October, 1964.

Chairman of General Sessions.

JOHN WARRY FLANNAGAN, a Barrister at Law of Victoria, who has practised for a longer period than five years, to be a Chairman of General Sessions, under the provisions of the *Justices Act 1958*, to take effect from the 1st November, 1964, to the 31st December, 1964, inclusive.

Assistant Registrars.

PHILIP JOHN RODDA

to be an Assistant Registrar, pursuant to the provisions of sections 20 and 21 of the *County Court Act 1958*, for the County Court at Wangaratta, during the absence on annual leave of R. F. Freeman, to take effect from the date of commencement of duty; and

JOHN MICHAEL WALSH

to be an Assistant Registrar, pursuant to the provisions of sections 20 and 21 of the *County Court Act 1958*, for the County Court at Warrnambool, during the absence of G. G. Moon, on sick leave, to take effect from the date of commencement of duty.

Clerk of the Court of Mines, &c.

PHILIP JOHN RODDA

to be Clerk of the Court of Mines and Clerk of Petty Sessions, and Clerk of the Children's Court at Benalla, and Clerk of Petty Sessions and Clerk of the Children's Court at Euroa and Violet Town, during the absence on annual leave of R. F. Freeman, to take effect from the date of commencement of duty.

Clerks of Petty Sessions, &c.

JOHN MICHAEL WALSH

to be Clerk of Petty Sessions and Clerk of the Children's Court at Camperdown, Cobden, Lismore, Mortlake and Terang, during the absence of G. G. Moon, on sick leave, to take effect from the date of commencement of duty; and

EDWIN ALEXANDER EMMERSON

to be Clerk of Petty Sessions and Clerk of the Children's Court at Tungamah, during the absence of H. F. P. Adams, on annual leave, to take effect from the date of commencement of duty.

Commissioners for Taking Declarations, &c.

ROBIN ANDREW FLETCHER, 31 Porter-street, Morwell,
STANLEY VICTOR SWAINE, Wilsons-road, Whittington,
Geelong,
FRANCIS LAURENCE BROWN, 24 Donald-street, Mount
Waverley, and
ARNOLD KOPPEL, 39 McHenry-street, Caulfield,
to be Commissioners for taking Declarations and Affidavits,
pursuant to the provisions of the Evidence Act 1958, to
resign upon removing from the neighbourhood of the
addresses stated; and

ROBERT REGINALD IRVING BRIERLEY, care of Leviathan
Limited, corner of Bourke and Swanston streets,
Melbourne,

ALEXANDER WALKER ANDERSON, care of Holeproof
Limited, Box Hill, and

RONALD THOMAS THOMPSON, care of Martin and King
Pty. Ltd., Somerton-lane, Somerton,
to be Commissioners for taking Declarations and Affidavits,
pursuant to the provisions of the Evidence Act 1958, to
resign upon ceasing to occupy their present positions.

Deputy Clerk of the Peace, &c.

JOHN ARTHUR GIDLEY
to be Deputy Clerk of the Peace, Registrar of the County
Court, Clerk of Petty Sessions and Clerk of the Children's
Court at Ararat, and Clerk of Petty Sessions and Clerk of
the Children's Court at Beaufort and Willaura, during the
absence of J. L. Thompson, on annual leave, to take
effect from the date of commencement of duty.

Justices of the Peace.

ARTHUR HENRY KLEINERT, Boronia-road, Boronia West,
and
RITA DUREAU KLINE, 11 Aberdeen-crescent, Essendon,
to Keep the Peace in the Central Bailiwick of the State
of Victoria; and

PERCY JAMES CLARK, Apsley,
to Keep the Peace in the Western Bailiwick of the State of
Victoria.

DEPARTMENT OF THE TREASURER.

Collector of Imposts (Acting).

JAMES MALCOLM PAWSON
to act temporarily as Collector of Imposts, State Tender
Board, during the absence of H. Coutts, on leave.

Receivers of Revenue (Acting).

PHILIP JOHN RODDA
to act temporarily as Receiver of Revenue, Benalla, during
the absence of R. F. Freeman, on leave; and

JOHN MICHAEL WALSH
to act temporarily as Receiver of Revenue, Camperdown,
during the absence of G. G. Moon, on leave.

J. COLQUHOUN,
Clerk of the Executive Council.

At the Executive Council Chamber,
Melbourne, 6th October, 1964.

APPOINTMENTS.

HIS Excellency the Governor of the State of Victoria,
by and with the advice of the Executive Council
thereof, has, by Orders made on the 13th day of October,
1964, been pleased to make the under-mentioned appoint-
ments, viz.:—

DEPARTMENT OF WATER SUPPLY.

Waterworks Trusts Commissioners.

ARTHUR SMITH
to be a Commissioner of the Seymour Waterworks Trust,
to hold office as such from the date hereof until the 3rd
July, 1965, subject to the provisions of the Water Acts.

COLIN EDGAR MILNER
to be a Commissioner of the Warburton Waterworks Trust,
to hold office as such from the date hereof until 15th
January, 1966, subject to the provisions of the Water Acts.

REX LAWSON LOWELL
to be a Commissioner of the Warburton Waterworks Trust,
to hold such position during the present term of office of
Sidney Colin Grieve as a Councillor for the East Riding
of the Shire of Upper Yarra, subject to the provisions of
the Water Acts.

JAMES CHARLES ETHERIDGE
to be a Commissioner of the Port Campbell Waterworks
Trust for a period of four years from the date hereof,
subject to the provisions of the Water Acts.

WILLIAM ROBERT STRACHAN

to be a Commissioner of the Cohuna Waterworks Trust,
to hold office as such from the date hereof until 17th July,
1965, subject to the provisions of the Water Acts.

IVAN SANDOW GRIGG

to be a Commissioner of the Linton Waterworks Trust,
to hold office as such from the date hereof until 29th April,
1965, subject to the provisions of the Water Acts.

J. COLQUHOUN,
Clerk of the Executive Council.

At the Executive Council Chamber,
Melbourne, 13th October, 1964.

RESIGNATIONS.

HIS Excellency the Governor of the State of Victoria,
by and with the advice of the Executive Council
thereof, has, by Orders made on the 6th day of October,
1964, accepted the resignations of the persons named
hereunder of the offices mentioned, viz.:—

CHIEF SECRETARY'S DEPARTMENT.

EDWARD CHARLES EWEN, Inspector of Police, Grade I,
as a Licensing Inspector for the purposes of the
Licensing Act 1958, to date from and inclusive of
the 27th September, 1964.

LAW DEPARTMENT.

The Honorable EDWARD HAMILTON ESLER BARBER, as an
Acting Judge of the Supreme Court of the State
of Victoria during the absence of the Honorable
George Augustus Pape, on approved leave, to take
effect from midnight on the 5th October, 1964.

WILLIAM JOHN MURNANE,
LESLIE THOMAS LARKINGS, and
HENRY WILLIAM McDONALD
as Commissioners for taking Declarations and Affidavits,
pursuant to the provisions of the Evidence Act 1958.

J. COLQUHOUN,
Clerk of the Executive Council.

At the Executive Council Chamber,
Melbourne, 6th October, 1964.

LANDLORD AND TENANT ACT 1958.

At the Executive Council Chamber, Melbourne, the
twenty-ninth day of September, 1964.

PRESENT:

His Excellency the Governor of Victoria.
Mr. Hamer | Mr. Rossiter.
Mr. Wilcox |

ORDER EXTENDING APPLICATION OF PART V. OF
THE LANDLORD AND TENANT ACT 1958 TO
CERTAIN PREMISES.

IN pursuance of the powers conferred by section 44 of
the Landlord and Tenant Act 1958, His Excellency
the Governor of Victoria, by and with the advice of the
Executive Council thereof, doth hereby declare that the
application of Part V. of the Landlord and Tenant Act
1958 shall extend to the following premises:—

1. The premises known as Number 21 McGregor-street,
East Malvern, and to all premises forming part of such
premises.
2. The premises known as Number 198 Victoria-street,
Richmond.
3. The premises known as Number 200 Victoria-street,
Richmond.
4. The premises known as Number 5 Princes-street,
Flemington.
5. The premises known as Number 164 Fitzroy-street,
Fitzroy.
6. The premises known as Number 35 Princess-street,
Kew, and to all premises forming part of such premises.

And the Honorable Arthur Gordon Rylah, Her Majesty's
Attorney-General for the State of Victoria, shall give the
necessary directions herein accordingly.

J. COLQUHOUN,
Clerk of the Executive Council.

(The above Order is published in lieu of the Order in
Council which was published in the Victoria Government
Gazette No. 81, dated 30th September, 1964, on page 3055.)

And the Honorable James Charles Murray Balfour, Her Majesty's Commissioner of Crown Lands and Survey for the State of Victoria, shall give the necessary directions herein accordingly.

J. COLQUHOUN,
Clerk of the Executive Council.

DEPARTMENT OF CROWN LANDS AND SURVEY.

At the Executive Council Chamber, Melbourne, the sixth day of October, 1964.

PRESENT:

His Excellency the Governor of Victoria.
Mr. Thompson | Mr. Bloomfield.
Mr. Reid

LAND PERMANENTLY RESERVED AS A SITE.

HIS Excellency the Governor of the State of Victoria, by and with the advice of the Executive Council thereof, doth hereby, in pursuance of the provisions of the Land Act 1958, permanently reserve as a site, the land hereinafter described:—

TRUGANINA.—As a site for Public Recreation, 15 acres 2 roods 22 perches of land in the Parish of Truganina, as defined by description and hachure on plan published in the Government Gazette of the 2nd September, 1964.—(Rs.7827.)

And the Honorable James Charles Murray Balfour, Her Majesty's Commissioner of Crown Lands and Survey for the State of Victoria, shall give the necessary directions herein accordingly.

J. COLQUHOUN,
Clerk of the Executive Council.

DEPARTMENT OF CROWN LANDS AND SURVEY.

At the Executive Council Chamber, Melbourne, the sixth day of October, 1964.

PRESENT:

His Excellency the Governor of Victoria.
Mr. Thompson | Mr. Bloomfield.
Mr. Reid

REVOCATIONS OF TEMPORARY RESERVATIONS OF LAND BY ORDERS IN COUNCIL.

HIS Excellency the Governor of the State of Victoria, by and with the advice of the Executive Council thereof, doth hereby, in pursuance of the provisions of the Land Act 1958, revoke the temporary reservations of land by Orders in Council hereinafter referred to, viz.:—

ANGLESEA.—Order in Council of the 1st April, 1941, of 12 acres 0 roods 2 perches of land in the Township of Anglesea, as a site for a Quarry, so far only as regards the portion thereof comprised within the boundaries published in the Government Gazette of 2nd September, 1964, and containing 6 acres, more or less.—(Rs.3536.)

DANDENONG.—Order in Council of 21st October, 1872, of 5 acres, more or less, of land in the Township of Dandenong as a site whence Stone may be procured under licence.—(Rs.2696.)

MURRAYVILLE.—Order in Council of the 21st August, 1951, of 38 1/10 perches of land in the Township of Murrayville as a site for a Public Hall.—(Rs.1760.)

And the Honorable James Charles Murray Balfour, Her Majesty's Commissioner of Crown Lands and Survey for the State of Victoria, shall give the necessary directions herein accordingly.

J. COLQUHOUN,
Clerk of the Executive Council.

LOCAL GOVERNMENT DEPARTMENT.

At the Executive Council Chamber, Melbourne, the sixth day of October, 1964.

PRESENT:

His Excellency the Governor of Victoria.
Mr. Thompson | Mr. Bloomfield.
Mr. Reid

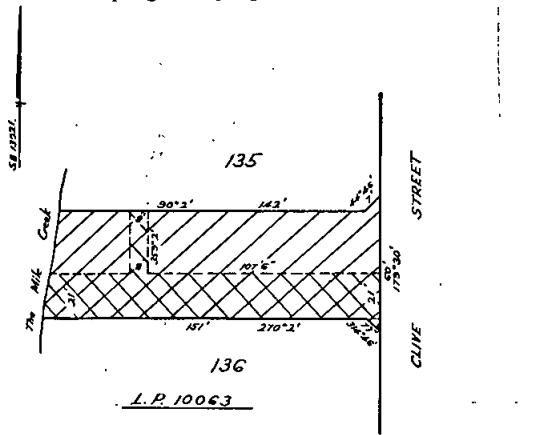
ROAD DISCONTINUED.—CITY OF SPRINGVALE.

WHEREAS, it is provided in section 528 (2) of the Local Government Act that where a road (whether or not a public highway but not being a road set out on land of the Crown) or any part thereof is not required for public use, the Governor in Council, on the request of the Council of the municipality in which such road is situated, made not less than one month after publishing in a newspaper generally circulating in the district and posting to the registered proprietor (if any) of the land and any person known to have an interest in the land, notice of intention to make such a request, may by Order published in the Government Gazette, direct that such road or part shall be discontinued, and thereupon such road or part shall be discontinued accordingly:

And whereas the Council of the City of Springvale has requested that the Governor in Council direct that portion of Fairview-street, Springvale, be discontinued, and, not less than one month previously, has published in a newspaper generally circulating in the district and posted to the registered proprietor of the land in the road, and to all persons known to have an interest in the said road, notice of intention to make such request:

Now, therefore, His Excellency the Governor of the State of Victoria, by and with the advice of the Executive Council thereof, hereby directs:—

- (a) That the said road, which is shown by hachure and cross-hachure on the plan hereunder, shall be discontinued;
- (b) that notwithstanding such discontinuance the State Electricity Commission of Victoria shall continue to have and possess the same right title power authority or interest in or in relation to the land shown by cross-hachure on the said plan as it had or possessed prior to such discontinuance with respect to or in connexion with any wires or cables laid or erected in on or over such land for the supply of electricity;
- (c) that, subject to any such right title power authority or interest, the land in the said road may be sold by the Council of the City of Springvale by agreement.



Measurements are in feet & inches

And the Honorable Rupert James Hamer, Her Majesty's Minister for Local Government for the State of Victoria, shall give the necessary directions herein accordingly.

J. COLQUHOUN,
Clerk of the Executive Council.

LOCAL GOVERNMENT DEPARTMENT.

At the Executive Council Chamber, Melbourne, the sixth day of October, 1964.

PRESENT:

His Excellency the Governor of Victoria.
Mr. Thompson | Mr. Bloomfield.
Mr. Reid

VESTING OF RESERVES IN THE COBURG CITY COUNCIL.

WHEREAS it is provided by section 569BA of the *Local Government Act 1958*, as amended, that where any map or plan has been lodged or deposited with the Registrar of Titles pursuant to section 97 of the *Transfer of Land Act 1958*, or any corresponding previous enactment (whether before or after the commencement of the *Local Government Act 1963*) and any allotment on that map or plan has been transferred the Governor in Council on the request of the council of the municipality may by Order published in the *Government Gazette* direct that the whole or any part of the land comprised in any reserve shown on that map or plan shall vest in the council whereupon such land shall so vest freed and discharged from any mortgage, charge, lease or sub-lease:

And whereas the Council of the City of Coburg has requested that certain reserves shown on plans of subdivision be vested in the Council and an allotment on each plan has been transferred:

Now, therefore, His Excellency the Governor of the State of Victoria, by and with the advice of the Executive Council thereof, doth by this Order vest in the Council of the City of Coburg certain lands being Reserves for various purposes on plans of subdivision lodged in the Office of Titles and being the Reserves set out in the Schedule hereunder:

SCHEDULE.

Number of Plan of Subdivision.	Colour of Reserve.	Purpose of Reserve.
8493	Green	Creek
10698	Green	Drainage
10706	Green	Drainage and Sewerage
11060	Green	Drainage
11786	Green	Creek
12466	Green	Drainage and Sewerage
12654	Green	Drainage, Sewerage, and Recreation
12654	Purple	Drainage and Sewerage
12854	Purple	Drainage and Sewerage
26568	Green	Drainage
31911	Green	Drainage, Sewerage, and Park

And the Honorable Rupert James Hamer, Her Majesty's Minister for Local Government for the State of Victoria, shall give the necessary directions herein accordingly.

J. COLQUHOUN,
Clerk of the Executive Council.

COUNTRY ROADS BOARD.

At the Executive Council Chamber, Melbourne, the sixth day of October, 1964.

PRESENT:

His Excellency the Governor of Victoria.
Mr. Thompson | Mr. Bloomfield.
Mr. Reid

DECLARATION OF A DEVIATION FROM THE ARARAT-ST. ARNAUD ROAD IN THE SHIRE OF AVOCA.

WHEREAS by sections 21 and 58 of the *Country Roads Act 1958* (No. 6229) it is amongst other things enacted that when the Country Roads Board under the

provisions of the *Country Roads Act* has by Resolution declared a deviation to be a main road the said Board may also declare that such deviation shall be in lieu of any existing road or part thereof named in such Resolution and that on publication in the *Government Gazette* of the Order confirming such Resolution the existing road or part thereof shall cease to be a main road or be discontinued as provided in the Resolution: And whereas the said Board has by Resolution declared the deviation on the land described in the First Schedule to such Resolution to be a main road and has also declared that such deviation shall be in lieu of the part of the existing road being the land described in the Second Schedule to the said Resolution and that such part of the said existing road shall be discontinued: Now therefore His Excellency the Governor of the State of Victoria by and with the advice of the Executive Council thereof doth hereby confirm the said Resolution.

Resolution for Declaration of a Deviation of a Main Road under the Country Roads Act.

Whereas the land the site of the road the course of which is below set out was taken by the Board under the provisions of the *Country Roads Act 1958*, for the purpose of constructing such road deviation which road deviation has now been laid out and formed on the same: And whereas the said Board (being the Country Roads Board incorporated under the said Act) thinks that the road aforesaid is fit to be used as a public highway such Board at a meeting now holden acting under the authority conferred upon it by sections 21 and 58 of the said Act doth by this present Resolution hereby declare the said road deviation the course of which is described in the First Schedule hereto with the commencing and terminating points thereof respectively specified to be part of a main road within the meaning and for the purposes of the *Country Roads Act 1958*: And the said Board doth also declare that such deviation shall be in lieu of the existing road or part thereof described in the Second Schedule hereto.

FIRST SCHEDULE.

Shire of Avoca.

8. Ararat-St. Arnaud road (608).—All that piece of land in the Township of Navarre, the boundaries of which are as follow:—Commencing at the south-eastern angle of allotment 233 of the said township; thence by lines bearing respectively 270 deg. 0 min. 20 links, 340 deg. 25 min. 580 links and 319 deg. 55 min. 721 links to the south-eastern bank of Wattle Creek, across the said creek to the south-eastern angle of allotment 8 (section 9) of the said township; thence by lines bearing respectively 261 deg. 30 min. 153 links, 351 deg. 30 min. 1,209.2 links, 81 deg. 30 min. 100 links, 171 deg. 30 min. 689.2 links and 154 deg. 55 min. 427.7 links; thence south-easterly across the said creek; thence by lines bearing respectively 139 deg. 55 min. 751 links, 160 deg. 25 min. 424.3 links and 184 deg. 38 min. 198 links to the point of commencement— which said piece of land is more particularly delineated and shown coloured red and yellow on survey plan numbered 7556A, lodged in the office of the Country Roads Board.

SECOND SCHEDULE.

Shire of Avoca.

8. Ararat-St. Arnaud road (608).—All that piece of land in the Township of Navarre, being a roadway 1 and 3 chains wide and commencing at a point on the eastern boundary of allotment 233A of the said township distant 4 deg. 38 min. 198 links from the south-eastern angle of allotment 233 of the said township; thence northerly and north-westerly across a bridge over Wattle Creek; thence northerly and westerly to the north-western corner of allotment 5, section 9, of the said township—which said piece of land is more particularly delineated and shown coloured blue on survey plan numbered 7556A, lodged in the office of the Country Roads Board.

The common seal of Country Roads Board was hereto affixed, at Kew, this twenty-eighth day of September, One thousand nine hundred and sixty-four, in the presence of—

(SEAL) I. J. O'DONNELL, Chairman.
F. WEST, Member.
N. L. ALLANSON, Secretary.

And the Honorable Murray Victor Porter, Her Majesty's Commissioner of Public Works for the State of Victoria, shall give the necessary directions herein accordingly.

J. COLQUHOUN,
Clerk of the Executive Council.

COUNTRY ROADS BOARD.

At the Executive Council Chamber, Melbourne, the sixth day of October, 1964.

PRESENT:

His Excellency the Governor of Victoria.	
Mr. Thompson	Mr. Bloomfield.
Mr. Reid	

ORDER APPROVING OF WIDENING AN EXISTING MAIN ROAD IN THE SHIRE OF MORNINGTON.

WHEREAS the Country Roads Board constituted under the *Country Roads Act 1958* (No. 6229) has represented to His Excellency the Governor in Council that it appears to it desirable that the existing Tyabb-road in the Shire of Mornington (declared to be a main road under the said Act which declaration was confirmed by the Order in Council published in the *Government Gazette* of the 7th September, 1938, on page 2776) should be widened by the said Board: And whereas the said Board in accordance with the requirements of section 19 of the said cited Act has caused to be prepared a map plan and estimate showing the points between which and on and through what land the said widening is proposed to be made and the cost of acquiring the land: And whereas on an inspection of the said map and plan and a consideration of the said estimate His Excellency the Governor in Council is satisfied that there are funds legally available for acquiring the land: Now therefore be it known by this present Order that His Excellency the Governor of the State of Victoria with the advice of the Executive Council thereof doth hereby approve of the said road being widened, that is to say:—

All that piece of land in the Parish of Moorooduc, the boundaries of which are as follow:—Commencing at the southern angle of land comprised in certificate of title, volume 8255, folio 100, entered in the Register Book, and being part of Portion 12 of the said parish; thence by lines bearing respectively 335 deg. 13 min. 168 ft. 3 in., 152 deg. 31 min. 101 ft. 3 in., 87 deg. 9 min. 50 feet and 201 deg. 47 min. 70 ft. 5½ in. to the point of commencement— which said piece of land is particularly delineated and shown coloured red on survey plan numbered 9700, lodged in the office of the Country Roads Board.

And the Honorable Murray Victor Porter, Her Majesty's Commissioner of Public Works for the State of Victoria, shall give the necessary directions herein accordingly.

J. COLQUHOUN,
Clerk of the Executive Council.

COUNTRY ROADS BOARD.

At the Executive Council Chamber, Melbourne, the sixth day of October, 1964.

PRESENT:

His Excellency the Governor of Victoria.	
Mr. Thompson	Mr. Bloomfield.
Mr. Reid	

ORDER APPROVING OF WIDENING AN EXISTING MAIN ROAD IN THE SHIRE OF DONCASTER AND TEMPLESTOWE.

WHEREAS the Country Roads Board constituted under the *Country Roads Act 1958* (No. 6229) has represented to His Excellency the Governor in Council that it appears to it desirable that the existing Heidelberg-Warrandyte road in the Shire of Doncaster and Templestowe (declared to be a main road under the said Act which declaration was confirmed by the Order in Council published in the *Government Gazette* of the 1st April, 1914, on page 1545) should be widened by the said Board: And whereas the said Board in accordance with the requirements of section 19 of the said cited Act has caused to be prepared a map plan and estimate showing the points between which and on and through what land the said widening is proposed to be made and the cost of acquiring the land: And whereas on an inspection of the said map and plan and a consideration of the said estimate His Excellency the Governor in Council is satisfied that there are funds legally available for acquiring the land: Now therefore be it known by this present Order that His

Excellency the Governor of the State of Victoria with the advice of the Executive Council thereof doth hereby approve of the said road being widened, that is to say:—

All that piece of land in the Parish of Bulleen, the boundaries of which are as follow:—Commencing at a point on the northern boundary of Unwins Crown Special Survey, formed by the intersection of the southern boundary of Heidelberg-Warrandyte road and the western boundary of Thompsons-road, the said point being the north-eastern angle of land comprised in certificate of title, volume 8361, folio 520; thence by lines bearing respectively 176 deg. 30½ min. 100 feet, 327 deg. 30 min. 75 ft. 3 in., 299 deg. 15 min. 34 feet, 270 deg. 15 min. 624 ft. 6 in., 293 deg. 22 min. 436 ft. 0½ in., 359 deg. 33 min. 21 ft. 10 in., 113 deg. 22 min. 440 ft. 9½ in. and 90 deg. 15 min. 684 ft. 4 in. to the point of commencement— which said piece of land is particularly delineated and shown coloured red on survey plan numbered 9750, lodged in the office of the Country Roads Board.

And the Honorable Murray Victor Porter, Her Majesty's Commissioner of Public Works for the State of Victoria, shall give the necessary directions herein accordingly.

J. COLQUHOUN,
Clerk of the Executive Council.

COUNTRY ROADS BOARD.

At the Executive Council Chamber, Melbourne, the sixth day of October, 1964.

PRESENT:

His Excellency the Governor of Victoria.	
Mr. Thompson	Mr. Bloomfield.
Mr. Reid	

ORDER APPROVING OF WIDENING AN EXISTING MAIN ROAD IN THE SHIRE OF STRATHFIELDSAYE.

WHEREAS the Country Roads Board constituted under the *Country Roads Act 1958* (No. 6229) has represented to His Excellency the Governor in Council that it appears to it desirable that the existing Bendigo-Sutton Grange road in the Shire of Strathfieldsaye (declared to be a main road under the said Act which declaration was confirmed by the Order in Council published in the *Government Gazette* of the 16th July, 1947, on pages 3851-5) should be widened by the said Board: And whereas the said Board in accordance with the requirements of section 19 of the said cited Act has caused to be prepared a map plan and estimate showing the points between which and on and through what land the said widening is proposed to be made and the cost of acquiring the land: And whereas on an inspection of the said map and plan and a consideration of the said estimate His Excellency the Governor in Council is satisfied that there are funds legally available for acquiring the land: Now therefore be it known by this present Order that His Excellency the Governor of the State of Victoria with the advice of the Executive Council thereof doth hereby approve of the said road being widened, that is to say:—

All those pieces of land in the Parish of Sedgwick, the boundaries of which are as follow:—

- (a) Commencing at the south-western angle of allotment 4A, section 20, of the said parish; thence by lines bearing respectively 351 deg. 56 min. 519.9 links, 165 deg. 32 min. 531.1 links and 269 deg. 32 min. 59.9 links to the point of commencement.
- (b) Commencing at the south-western angle of allotment 3, section 20, of the said parish; thence by lines bearing respectively 4 deg. 26 min. 453 links, 19 deg. 20 min. 382.8 links, 192 deg. 43 min. 406.1 links, 188 deg. 49 min. 471.9 links, 178 deg. 34 min. 374.8 links, 177 deg. 3 min. 429.1 links, 351 deg. 56 min. 449.4 links and 4 deg. 26 min. 409 links to the point of commencement—

which said pieces of land are particularly delineated and shown coloured red on survey plan numbered 9506, lodged in the office of the Country Roads Board.

And the Honorable Murray Victor Porter, Her Majesty's Commissioner of Public Works for the State of Victoria, shall give the necessary directions herein accordingly.

J. COLQUHOUN,
Clerk of the Executive Council.

COUNTRY ROADS BOARD.

At the Executive Council Chamber, Melbourne, the
sixth day of October, 1964.

PRESENT:

His Excellency the Governor of Victoria.	
Mr. Thompson	Mr. Bloomfield.
Mr. Reid	

DECLARATION OF A DEVIATION FROM THE
MOONAMBEL-ROAD IN THE SHIRE OF AVOCA.

WHEREAS by sections 21 and 58 of the *Country Roads Act 1958* (No. 6229) it is amongst other things enacted that when the Country Roads Board under the provisions of the *Country Roads Act* has by Resolution declared a deviation to be a main road the said Board may also declare that such deviation shall be in lieu of any existing road or part thereof named in such Resolution and that on publication in the *Government Gazette* of the Order confirming such Resolution the existing road or part thereof shall cease to be a main road or be discontinued as provided in the Resolution: And whereas the said Board has by Resolution declared the deviation on the land described in the First Schedule to such Resolution to be a main road and has also declared that such deviation shall be in lieu of the part of the existing road being the land described in the Second Schedule to the said Resolution and that such part of the said existing road shall be discontinued: Now therefore His Excellency the Governor of the State of Victoria by and with the advice of the Executive Council thereof doth hereby confirm the said Resolution.

*Resolution for Declaration of a Deviation of a Main Road
under the Country Roads Act.*

Whereas the land the site of the road the course of which is below set out was taken by the Board under the provisions of the *Country Roads Act 1958*, for the purpose of constructing such road deviation which road deviation has now been laid out and formed on the same: And whereas the said Board (being the Country Roads Board incorporated under the said Act) thinks that the road aforesaid is fit to be used as a public highway such Board at a meeting now holden acting under the authority conferred upon it by sections 21 and 58 of the said Act doth by this present Resolution hereby declare the said road deviation the course of which is described in the First Schedule hereto with the commencing and terminating points thereof respectively specified to be part of a main road within the meaning and for the purposes of the *Country Roads Act 1958*: And the said Board doth also declare that such deviation shall be in lieu of the existing road or part thereof described in the Second Schedule hereto.

FIRST SCHEDULE.

Shire of Avoca.

10. *Moonambel-road* (610).—All that piece of land in the Parish of Navarre, the boundaries of which are as follow:—Commencing at the north-eastern angle of allotment 10 of the said parish; thence by lines bearing respectively 133 deg. 51 min. 163.3 links, 288 deg. 9 min. 364.8 links, 270 deg. 8 min. 980.1 links, 358 deg. 56 min. 150 links, 4 deg. 38 min. 119 links, 121 deg. 22 min. 228.9 links, 90 deg. 8 min. 1,092 links and 209 deg. 38 min. 172.3 links to the point of commencement—which said piece of land is particularly delineated and shown coloured red and yellow on survey plan numbered 8172A, lodged in the office of the Country Roads Board.

SECOND SCHEDULE.

Shire of Avoca.

10. *Moonambel-road* (610).—All that piece of land in the Township of Navarre, being a roadway 3 chains wide and commencing at the northern angle of allotment 1, section 18 of the said township; thence by lines bearing respectively 30 deg. 17 min. 345.1 links, 149 deg. 54 min. 2,616 links, 270 deg. 8 min. 347.2 links and 329 deg. 54 min. 2,270.7 links to the point of commencement—which said piece of land is particularly delineated and shown coloured blue on survey plan numbered 8172A, lodged in the office of the Country Roads Board.

The common seal of Country Roads Board was hereto affixed, at Kew, this twenty-eighth day of September, One thousand nine hundred and sixty-four, in the presence of—

(SEAL) I. J. O'DONNELL, Chairman.
F. WEST, Member.
N. L. ALLANSON, Secretary.

And the Honorable Murray Victor Porter, Her Majesty's Commissioner of Public Works for the State of Victoria, shall give the necessary directions herein accordingly.

J. COLQUHOUN,
Clerk of the Executive Council.

COUNTRY ROADS BOARD.

At the Executive Council Chamber, Melbourne,
the sixth day of October, 1964.

PRESENT:

His Excellency the Governor of Victoria.	
Mr. Thompson	Mr. Bloomfield.
Mr. Reid	

DECLARATION OF THE WESTERN HIGHWAY IN THE
CITY OF FOOTSCRAY.

WHEREAS by the Resolution set out below and dated the 21st day of September, 1964, the Country Roads Board incorporated under the *Country Roads Act 1958* (No. 6229) being of opinion that the highway in the State of Victoria set out or described in the Schedule to the same is of sufficient importance to be a State highway and acting under the powers in that behalf conferred upon it by the said Act declared such highway to be a State highway within the meaning and for the purposes of the Act aforesaid: And whereas the said Act amongst other things provides that the Governor in Council may by Order published in the *Government Gazette* confirm such Resolution whereupon any road mentioned in such Resolution shall be a State highway: And whereas it is deemed desirable to confirm the Resolution so made and passed by the said Country Roads Board: Now therefore His Excellency the Governor of the State of Victoria by and with the advice of the Executive Council thereof doth hereby confirm such Resolution and declare upon the publication of this Order in the *Government Gazette* the road mentioned in the Schedule to such Resolution of the Country Roads Board a State highway within the meaning and for the purposes of the *Country Roads Act 1958*.

*Resolution for Declaration of a State Highway under the
Country Roads Act.*

The Country Roads Board incorporated by the *Country Roads Act 1958* (No. 6229) at a meeting now holden being of opinion that the highway within the State of Victoria set out or described in the Schedule hereunder written is of sufficient importance to be a State highway acting under the powers in that behalf conferred upon it by the said Act doth by this Resolution hereby declare such highway to be a State highway within the meaning and for the purposes of the said *Country Roads Act 1958*.

SCHEDULE.

City of Footscray.

2. *Western Highway*.—Commencing at its junction with the western alignment of Summerhill-road near the north-western angle of allotment 7, section 15, at West Footscray, Parish of Cut-paw-paw; thence south-easterly to the western alignment of Gordon-street, at the north-eastern angle of the said allotment 7.

The common seal of Country Roads Board was hereto affixed at Kew, this twenty-eighth day of September, One thousand nine hundred and sixty-four, in the presence of—

(SEAL) I. J. O'DONNELL, Chairman.
F. WEST, Member.
N. L. ALLANSON, Secretary.

And the Honorable Murray Victor Porter, Her Majesty's Commissioner of Public Works for the State of Victoria, shall give the necessary directions herein accordingly.

J. COLQUHOUN,
Clerk of the Executive Council.

COUNTRY ROADS BOARD.

At the Executive Council Chamber, Melbourne, the sixth day of October, 1964.

PRESENT:

His Excellency the Governor of Victoria.
Mr. Thompson | Mr. Bloomfield.
Mr. Reid

ORDER APPROVING OF A DEVIATION FROM A MAIN ROAD IN THE SHIRE OF TAMBO.

WHEREAS the Country Roads Board constituted under the Country Roads Act 1958 (No. 6229) has represented to His Excellency the Governor in Council that it appears to it desirable that the deviation hereinafter referred to from the existing Gelantipy-road in the Shire of Tambo (declared to be a main road under the said Act which declaration was confirmed by the Order in Council published in the Government Gazette of the 18th August, 1943, on page 2108) should be made by the said Board: And whereas the said Board in accordance with the requirements of section 19 of the said cited Act has caused to be prepared a map plan and estimate showing the points between which and on and through what land the said deviation is proposed to be made and the cost of acquiring the land: And whereas on an inspection of the said map and plan and a consideration of the said estimate His Excellency the Governor in Council is satisfied that there are funds legally available for acquiring the land: Now therefore be it known by this present Order that His Excellency the Governor of the State of Victoria with the advice of the Executive Council thereof doth hereby approve of the said road being made, that is to say:—

All that piece of land in the Parish of Buchan, the boundaries of which are as follow:—Commencing at an angle in the eastern boundary of the existing Gelantipy-road through allotment 27, section B, of the said parish, formed by the intersection of lines bearing 61 deg. 42 min. and 10 deg. 33 min., thence by lines bearing respectively 201 deg. 51 min. 447.6 links, 335 deg. 29 min. 209.7 links, 20 deg. 18 min. 117.1 links and 61 deg. 42 min. 242 links to the point of commencement—which said piece of land is particularly delineated and shown coloured red an survey plan numbered 9753, lodged in the office of the Country Roads Board.

And the Honorable Murray Victor Porter, Her Majesty's Commissioner of Public Works for the State of Victoria, shall give the necessary directions herein accordingly.

J. COLQUHOUN,
Clerk of the Executive Council.

COUNTRY ROADS BOARD.

At the Executive Council Chamber, Melbourne, the sixth day of October, 1964.

PRESENT:

His Excellency the Governor of Victoria.
Mr. Thompson | Mr. Bloomfield.
Mr. Reid

ORDER APPROVING THE MAKING OF A BY-PASS IN THE CITY OF WAVERLEY.

WHEREAS:

I. Section 114 of the Country Roads Act 1958 (herein called "the Act") provides (*inter alia*) in—

- (a) sub-section (1) thereof that the powers conferred upon municipal councils by Division 14 of Part XIX. of the Local Government Act 1958, shall so far as applicable be conferred upon the Country Roads Board (herein called "the Board") so far as relates to the declaration of the alignment the widening and opening up of by-pass roads and that the provisions of the said Division shall with certain modifications extend and apply accordingly; and
- (b) sub-section (2) thereof that no by-pass road shall be widened or opened up pursuant to the said section unless the Governor in Council has by Order published in the Government Gazette approved such widening or opening up.

II. Section 101 of the Act provides (*inter alia*) that for the purposes of Part VII. of the act sections 19 to 21 of the Act shall so far as applicable and with such adaptations as are necessary extend and apply with respect to by-pass roads.

III. The Board has—

- (a) in exercise of the powers conferred upon it by the said section 114 and for the purpose of opening up a by-pass road in the City of Waverley under the name "Mulgrave By-pass Road" by Resolution dated the twenty-first day of September, 1964, fixed an alignment for each side of the said road;
- (b) in accordance with the provisions of section 19 of the Act caused to be prepared a map plan and estimate showing—
 - (i) the points between which and the lands on and through which the said road is proposed to be made; and
 - (ii) the cost of acquiring the land.

IV. The Governor in Council is satisfied that there are funds legally available for acquiring the said land.

Now therefore His Excellency the Governor of the State of Victoria with the advice of the Executive Council thereof by this Order approves, for the purposes of section 20 (as applied by the said section 101) and of section 114 of the Act, the acquisition of the said land (being the land described in the Schedule hereto) and the making of the said road.

SCHEDULE.

All that piece of land in the Parish of Mulgrave, the boundaries of which are as follow:—Commencing at the south-western angle of portion 23 of the said parish; thence by lines bearing respectively 359 deg. 53 min. 769 ft. 11 in., 121 deg. 54 min. 684 ft. 6 in., 127 deg. 37 min. 493 feet, 110 deg. 4 min. 167 feet, 99 deg. 29 min. 329 ft. 4½ in. and 270 deg. 10½ min. 1,451 ft. 9½ in. to the point of commencement—which said piece of land is particularly delineated and shown coloured red and blue on survey plan numbered 9167, lodged in the office of the Country Roads Board.

And the Honorable Murray Victor Porter, Her Majesty's Commissioner of Public Works for the State of Victoria, shall give the necessary directions herein accordingly.

J. COLQUHOUN,
Clerk of the Executive Council.

COUNTRY ROADS BOARD.

At the Executive Council Chamber, Melbourne, the sixth day of October, 1964.

PRESENT:

His Excellency the Governor of Victoria.
Mr. Thompson | Mr. Bloomfield.
Mr. Reid

DECLARATION OF A DEVIATION FROM THE HENDY MAIN ROAD IN THE SHIRE OF BARRABOOL.

WHEREAS by sections 21 and 58 of the Country Roads Act 1958 (No. 6229) it is amongst other things enacted that when the Country Roads Board under the provisions of the Country Roads Act has by Resolution declared a deviation to be a main road the said Board may also declare that such deviation shall be in lieu of any existing road or part thereof named in such Resolution and that on publication in the Government Gazette of the Order confirming such Resolution the existing road or part thereof shall cease to be a main road or be discontinued as provided in the Resolution: And whereas the said Board has by Resolution declared the deviation on the land described in the First Schedule to such Resolution to be a main road and has also declared that such deviation shall be in lieu of the part of the existing road being the land described in the Second Schedule to the said Resolution and that such part of the said existing road shall be discontinued: Now therefore His Excellency the Governor of the State of Victoria by and with the advice of the Executive Council thereof doth hereby confirm the said Resolution.

Resolution for Declaration of a Deviation of a Main Road under the Country Roads Act.

Whereas the land the site of the road the course of which is below set out was taken by the Board under the provisions of the Country Roads Act 1958, for the purpose

of constructing such road deviation which road deviation has now been laid out and formed on the same: And whereas the said Board (being the Country Roads Board incorporated under the said Act) thinks that the road aforesaid is fit to be used as a public highway such Board at a meeting now holden acting under the authority conferred upon it by sections 21 and 58 of the said Act doth by this present Resolution hereby declare the said road deviation the course of which is described in the First Schedule hereto with the commencing and terminating points thereof respectively specified to be part of a main road within the meaning and for the purposes of the Country Roads Act 1958: And the said Board doth also declare that such deviation shall be in lieu of the existing road or part thereof described in the Second Schedule hereto and that such part of the said existing road shall be discontinued.

FIRST SCHEDULE.

Shire of Barrabool.

4. *Hendy Main road*.—All those pieces of land in the Parish of Paraparap, the boundaries of which are as follow:—

- (a) Commencing at the south-western angle of portion 76 of the said parish; thence by lines bearing respectively 0 deg. 35 min. 1,470 links, 161 deg. 57 min. 1,154.9 links, 109 deg. 30 min. 1,095.5 links, 78 deg. 30 min. 1,361 links, 247 deg. 56 min. 796 links, 270 deg. 50 min. 20 links and 270 deg. 36 min. 1,982 links to the point of commencement.
- (b) Commencing at an angle in the northern boundary of the existing Hendy Main road through portion 76 of the said parish, formed by the intersection of lines bearing 87 deg. 43 min. and 105 deg. 50 min.; thence by lines bearing respectively 267 deg. 43 min. 558.8 links, 78 deg. 30 min. 361 links, 102 deg. 28 min. 1,580 links, 269 deg. 51 min. 308 links and 285 deg. 50 min. 1,071 links to the point of commencement.
- (c) Commencing at the south-eastern angle of portion 75 of the said parish; thence by lines bearing respectively 270 deg. 35 min. 2,180 links, 280 deg. 12 min. 267.1 links, 96 deg. 11 min. 423.7 links and 90 deg. 41 min. 2,304.1 links to the point of commencement.
- (d) Commencing at an angle in the southern boundary of the existing Hendy Main road through portion 76 of the said parish, formed by the intersection of lines bearing 267 deg. 43 min. and 247 deg. 56 min.; thence by lines bearing respectively 87 deg. 43 min. 124 links, 261 deg. 5 min. 184.5 links and 67 deg. 56 min. 63 links to the point of commencement—

which said pieces of land are particularly delineated and shown coloured red on survey plan numbered 8771, lodged in the office of the Country Roads Board.

SECOND SCHEDULE.

Shire of Barrabool.

4. *Hendy Main road*.—All that piece of land in the Parish of Paraparap, the boundaries of which are as follow:—Commencing at a point in portion 76 of the said parish, distant 90 deg. 36 min. 1,982 links, 90 deg. 50 min. 20 links and 67 deg. 56 min. 796 links from the south-western angle of the said portion; thence by lines bearing respectively 67 deg. 56 min. 50 links, 87 deg. 43 min. 57.5 links and 258 deg. 30 min. 106 links to the point of commencement—which said piece of land is particularly delineated and shown coloured blue on survey plan numbered 8771, lodged in the office of the Country Roads Board.

The common seal of Country Roads Board was hereto affixed, at Kew, this twenty-eighth day of September, One thousand nine hundred and sixty-four, in the presence of—

I. J. O'DONNELL, Chairman.
(SEAL) F. WEST, Member.
N. L. ALLANSON, Secretary.

And the Honorable Murray Victor Porter, Her Majesty's Commissioner of Public Works for the State of Victoria, shall give the necessary directions herein accordingly.

J. COLQUHOUN,
Clerk of the Executive Council.

COUNTRY ROADS BOARD.

At the Executive Council Chamber, Melbourne,
the sixth day of October, 1964.

PRESENT:

His Excellency the Governor of Victoria.
Mr. Thompson | Mr. Bloomfield.
Mr. Reid

ORDER APPROVING OF A DEVIATION FROM A STATE HIGHWAY IN THE SHIRE OF YEA.

WHEREAS the Country Roads Board constituted under the Country Roads Act 1958 (No. 6229) has represented to His Excellency the Governor in Council that it appears to it desirable that the deviation hereinafter referred to from the existing Goulburn Valley Highway in the Shire of Yea (declared to be a State highway under the said Act which declaration was confirmed by the Order in Council published in the Government Gazette of the 10th August, 1960, on pages 2743-8) should be made by the said Board: And whereas the said Board in accordance with the requirements of section 19 of the said cited Act has caused to be prepared a map plan and estimate showing the points between which and on and through what land the said deviation is proposed to be made and the cost of acquiring the land: And whereas on an inspection of the said map and plan and a consideration of the said estimate His Excellency the Governor in Council is satisfied that there are funds legally available for acquiring the land: Now therefore be it known by this present Order that His Excellency the Governor of the State of Victoria with the advice of the Executive Council thereof doth hereby approve of the said highway being made, that is to say:—

All that piece of land in the Parishes of Killingworth and Whanregarwen the boundaries of which are as follow:—

- Commencing at the western angle of allotment 15, Parish of Whanregarwen; thence by lines bearing respectively 77 deg. 52 min. 856 links, 95 deg. 45 min. 932.6 links, 269 deg. 14 min. 945.1 links, 251 deg. 25 min. 763.2 links, 230 deg. 31 min. 728.1 links, 217 deg. 5 min. 286.7 links, 318 deg. 48 min. 18.4 links, 33 deg. 29 min. 800 links and 49 deg. 18 min. 276 links to the point of commencement.

Also, all those pieces of land in the Parish of Whanregarwen, the boundaries of which are as follow:—

- (a) Commencing at the western angle of allotment 16A of the said parish; thence by lines bearing respectively 77 deg. 36 min. 162 links, 52 deg. 8 min. 3,413.8 links, 185 deg. 20 min. 25.1 links, 230 deg. 36 min. 999 links, 231 deg. 46 min. 2,538.8 links, 192 deg. 14½ min. 46.3 links, 332 deg. 43 min. 30 links, 235 deg. 2 min. 155.5 links, 152 deg. 40 min. 30 links, 283 deg. 51 min. 39.5 links, 235 deg. 2 min. 550 links, 47 deg. 1 min. 597 links and 38 deg. 13½ min. 169.4 links to the point of commencement.
- (b) Commencing at a point on the western boundary of allotment 21 of the said parish, distant 34 deg. 57 min. 230.9 links from the south-western angle of the said allotment; thence by lines bearing respectively 34 deg. 57 min. 570.6 links, 190 deg. 53 min. 692.3 links, 188 deg. 50 min. 1,198.8 links, 207 deg. 53 min. 651.5 links, 239 deg. 21½ min. 1,096.6 links, 236 deg. 24 min. 579.7 links, 205 deg. 14 min. 714.1 links, 343 deg. 3 min. 523.2 links, 42 deg. 36 min. 1,177 links, 85 deg. 26 min. 345.7 links, 59 deg. 52 min. 480.6 links, 30 deg. 41 min. 773.8 links, 12 deg. 17 min. 1,205.1 links and 301 deg. 17 min. 37.8 links to the point of commencement—

which said pieces of land are particularly delineated and shown coloured red, yellow and green on survey plans numbered 9683, 9684 and 9685, lodged in the office of the Country Roads Board.

And the Honorable Murray Victor Porter, Her Majesty's Commissioner of Public Works for the State of Victoria, shall give the necessary directions herein accordingly.

J. COLQUHOUN,
Clerk of the Executive Council.

COUNTRY ROADS BOARD.

At the Executive Council Chamber, Melbourne,
the sixth day of October, 1964.

PRESENT:

His Excellency the Governor of Victoria.	
Mr. Thompson	Mr. Bloomfield.
Mr. Reid	

ORDER APPROVING OF WIDENING AN EXISTING MAIN ROAD IN THE SHIRE OF KOWREE.

WHEREAS the Country Roads Board constituted under the *Country Roads Act 1958* (No. 6229) has represented to His Excellency the Governor in Council that it appears to it desirable that the existing Coleraine-Edenhope road in the Shire of Kowree (declared to be a main road under the said Act which declaration was confirmed by the Order in Council published in the *Government Gazette* of the 9th July, 1947, on pages 3628-9) should be widened by the said Board: And whereas the said Board in accordance with the requirements of section 19 of the said cited Act has caused to be prepared a map plan and estimate showing the points between which and on and through what land the said widening is proposed to be made and the cost of acquiring the land: And whereas on an inspection of the said map and plan and a consideration of the said estimate His Excellency the Governor in Council is satisfied that there are funds legally available for acquiring the land: Now therefore be it known by this present Order that His Excellency the Governor of the State of Victoria with the advice of the Executive Council thereof doth hereby approve of the said road being widened, that is to say:—

All that piece of land in the Parish of Edenhope, the boundaries of which are as follow:—Commencing at the south-eastern angle of allotment 54 of the said parish; thence by lines bearing respectively 294 deg. 0 min. 18 links, 315 deg. 0 min. 580 links, 130 deg. 14 min. 524 links, 120 deg. 26 min. 547.5 links and 294 deg. 0 min. 487.7 links to the point of commencement—which said piece of land is particularly delineated and shown coloured red on survey plan numbered 9660, lodged in the office of the Country Roads Board.

And the Honorable Murray Victor Porter, Her Majesty's Commissioner of Public Works for the State of Victoria, shall give the necessary directions herein accordingly.

J. COLQUHOUN,
Clerk of the Executive Council.

COUNTRY ROADS BOARD.

At the Executive Council Chamber, Melbourne, the
sixth day of October, 1964.

PRESENT:

His Excellency the Governor of Victoria.	
Mr. Thompson	Mr. Bloomfield.
Mr. Reid	

ORDER APPROVING OF WIDENING AN EXISTING STATE HIGHWAY IN THE SHIRE OF SOUTH GIPPSLAND.

WHEREAS the Country Roads Board constituted under the *Country Roads Act 1958* (No. 6229) has represented to His Excellency the Governor in Council that it appears to it desirable that the existing South Gippsland Highway in the Shire of South Gippsland (declared to be a State highway under the said Act which declaration was confirmed by the Order in Council published in the *Government Gazette* of the 30th December, 1947, on pages 6281-2) should be widened by the said Board: And whereas the said Board in accordance with the requirements of section 19 of the said cited Act has caused to be prepared a map plan and estimate showing the points between which and on and through what land the said widening is proposed to be made and the cost of acquiring the land: And whereas on an inspection of the said map and plan and a consideration of the said estimate His Excellency the Governor in Council is satisfied that there are funds legally available for acquiring the land: Now therefore be it known by this present Order that His Excellency the Governor of the State of Victoria, with

the advice of the Executive Council thereof doth hereby approve of the said highway being widened, that is to say:—

All that piece of land in the Parish of Wonga Wonga South, the boundaries of which are as follow:—Commencing at a point on the north-western boundary of allotment 31, section A, of the said parish; thence by lines bearing respectively 59 deg. 33 min. 291.1 links, 83 deg. 5 min. 275.5 links, 106 deg. 37 min. 238 links and 261 deg. 30 min. 760.4 links to the point of commencement—which said piece of land is particularly delineated and shown coloured red on survey plan numbered 9763, lodged in the office of the Country Roads Board.

And the Honorable Murray Victor Porter, Her Majesty's Commissioner of Public Works for the State of Victoria, shall give the necessary directions herein accordingly.

J. COLQUHOUN,
Clerk of the Executive Council.

COUNTRY ROADS BOARD.

At the Executive Council Chamber, Melbourne, the
sixth day of October, 1964.

PRESENT:

His Excellency the Governor of Victoria.	
Mr. Thompson	Mr. Bloomfield.
Mr. Reid	

ORDER APPROVING OF THE MAKING OF A NEW BY-PASS ROAD IN THE CITY OF WAVERLEY.

WHEREAS:

I. Country Roads Board incorporated by the *Country Roads Act 1958* has represented to His Excellency the Governor in Council that it appears to the said Board that a new by-pass road "Mulgrave By-pass Road" in the City of Waverley should be made.

II. The said Board in accordance with sections 19 and 101 of the said Act has caused to be prepared a map plan and estimate showing—

- The points between which and the land on and through which the said new by-pass road is proposed to be made;
- the cost of acquiring the said land.

III. On inspection of the said map and plan and consideration of the said estimate His Excellency the Governor in Council is satisfied that there are funds legally available for acquiring the said land.

Now therefore His Excellency the Governor of the State of Victoria by and with the advice of the Executive Council thereof doth hereby approve of the said land (being the land described in the Schedule hereunder) being acquired and the said road being made.

SCHEDULE:

All that piece of land in the Parish of Mulgrave, the boundaries of which are as follow:—Commencing at a point in portion 79 of the said parish, distant 90 deg. 15 min. 33 feet and 360 deg. 0 min. 68 feet from the south-western angle of the said portion; thence by lines bearing respectively 360 deg. 0 min. 1,332 ft. 9 in., 175 deg. 50 min. 256 ft. 6½ in., 173 deg. 40½ min. 155 ft. 11½ in., 140 deg. 41½ min. 102 ft. 3 in., 126 deg. 49 min. 560 ft. 8½ in., 129 deg. 13½ min. 403 ft. 7½ in., 123 deg. 33 min. 402 feet, 125 deg. 51½ min. 176 ft. 11 in., 270 deg. 17 min. 441 ft. 5 in., 297 deg. 14½ min. 226 ft. 1½ in., 300 deg. 52 min. 276 ft. 5 in., 298 deg. 20 min. 308 ft. 11 in., 301 deg. 37 min. 119 ft. 1 in., 242 deg. 37 min. 72 ft. 2½ in. and 183 deg. 51½ min. 349 ft. 9 in. to the point of commencement—which said piece of land is particularly delineated and shown coloured red on survey plan numbered 9492, lodged in the office of the Country Roads Board.

And the Honorable Murray Victor Porter, Her Majesty's Commissioner of Public Works for the State of Victoria, shall give the necessary directions herein accordingly.

J. COLQUHOUN,
Clerk of the Executive Council.

DRAINAGE AREAS ACT 1958.

At the Executive Council Chamber, Melbourne, the sixth day of October, 1964.

PRESENT:

His Excellency the Governor of Victoria.
Mr. Thompson | Mr. Bloomfield.
Mr. Reid

CONSTITUTION OF THE CARLYLE WEST DRAINAGE AREA, SHIRE OF RUTHERGLEN.

PURSUANT to the provisions of the *Drainage Areas Act 1958*, as amended, and in compliance with the prayer of a petition presented by the Council of the Shire of Rutherglen, notice of which petition was duly published in the *Government Gazette* on the 13th May, 1964, His Excellency the Governor of the State of Victoria, by and with the advice of the Executive Council thereof, by this Order directs that the portion of the said shire described hereunder be constituted a drainage area within the meaning of the said Act, under the name of the Carlyle West Drainage Area:

Commencing at the north-east corner of Crown allotment 3, section 6, in the Parish of Carlyle; thence easterly in line with the northern boundary of Crown allotment 1, section 15, to a point in line with the western boundary of Crown allotment 5, section 25; thence northerly along this boundary to the north-west corner of that allotment then easterly to south-west corner of Crown allotment 1, section 28; thence northerly along the western boundary of that allotment to the south-west corner of Crown allotment 4, section 27; thence westerly to the south-west corner of Crown allotment 4, section 26; thence northerly to a point on the western boundary of Crown allotment 1, section 26, in line with the southern boundaries of Crown allotments 1, 2, 3, 4 and 5 of section 23; thence westerly along the southern boundary of the aforesaid allotments to the south-west corner of Crown allotment 1, section 23; thence northerly to the south-west corner of Crown allotment 9, section 35; thence easterly to the south-east corner of Crown allotment 6, section 35; thence northerly to the north-east corner of Crown allotment 5, section 35; thence westerly to the south-east corner of Crown allotment 5, section 34; thence southerly to the north-east corner of Crown allotment 1, section 22; thence westerly in line with the northern boundary of that allotment to a point in the 3-chain road reserve in line with the western boundaries of Crown allotments 2, 1, 8 and 10, section 2; thence southerly along and in line with these western boundaries to the angle on the western boundary of Crown allotment 1, section 3A; thence in a more easterly direction along and in line with this western boundary and that of Crown allotment 14, section 3A, to the intersection of the western boundary of Crown allotment 1, section 6, and the northern boundary of the railway reserve; thence south-easterly along the boundary of this reserve to its intersection with the southern boundary of Crown allotment 2, section 6; thence easterly along this southern boundary to the south-east corner of Crown allotment 3, section 6; thence northerly to the north-east corner of Crown allotment 3, section 6, being the point of commencement, all in the Parish of Carlyle in the County of Bogong.

And the Honorable Rupert James Hamer, Her Majesty's Minister for Local Government for the State of Victoria, shall give the necessary directions herein accordingly.

J. COLQUHOUN,
Clerk of the Executive Council.

PORTLAND HARBOR TRUST ACT 1958 (No. 6340).

At the Executive Council Chamber, Melbourne, the sixth day of October, 1964.

PRESENT:

His Excellency the Governor of Victoria.
Mr. Thompson | Mr. Bloomfield.
Mr. Reid

WHEREAS His Excellency the Governor in Council has this day consented pursuant to the provisions of the *Portland Harbor Trust Act 1958* to the Portland Harbor Trust Commissioners raising by way of loan the sum of Sixty thousand pounds (£60,000). And whereas His Excellency the Governor in Council is satisfied that a sufficient proportion of the loan to be raised will fall due and be repaid in each year during the currency of the proposed loan: Now therefore it is directed, pursuant to the

No. 84.—9216/64.—4

provisions of section 33 (3) of the said Act, that it shall not be necessary to provide a sinking fund in connexion with such loan.

And the Honorable Henry Edward Bolte, Her Majesty's Treasurer for the State of Victoria, shall give the necessary directions herein accordingly.

J. COLQUHOUN,
Clerk of the Executive Council.

MARKETING OF PRIMARY PRODUCTS ACT 1958 (No. 6304).

At the Executive Council Chamber, Melbourne, the sixth day of October, 1964.

PRESENT:

His Excellency the Governor of Victoria.
Mr. Thompson | Mr. Bloomfield.
Mr. Reid

APPOINTMENT OF A DAY FOR A POLL TO BE TAKEN OF THE PRODUCERS OF MAIZE FOR THE ELECTION OF REPRESENTATIVES OF PRODUCERS TO BE ELECTIVE MEMBERS OF THE MAIZE MARKETING BOARD.

IN pursuance of the provisions in that behalf contained in the *Marketing of Primary Products Act 1958* (No. 6304) His Excellency the Governor of the State of Victoria, by and with the advice of the Executive Council thereof, doth by this Order hereby appoint Monday, the thirtieth day of November, 1964, as the day for a poll to be taken of the producers of maize for the election of four (4) representatives to be elective members of the Maize Marketing Board and doth further appoint four (4) electoral areas defined as follows for such election, that is to say:—

Electoral Area No. 1.—The Orbost Subdivision of the State Electoral District of Gippsland East.

Electoral Area No. 2.—The Bruthen and Omeo Subdivisions of the State Electoral District of Gippsland East; the Moyhu and Owens Subdivisions of the State Electoral District of Benalla; and the Beechworth, Yackandandah, Tallangatta, Corryong, Wodonga and Chiltern Subdivisions of the State Electoral District of Benambra.

Electoral Area No. 3.—The Lucknow, Lindenow, Bairnsdale, Stratford and Rosedale Subdivisions of the State Electoral District of Gippsland East; the Morwell Subdivision of the State Electoral District of Morwell; the State Electoral District of Gippsland South; the Korumburra, Wonthaggi and Loch Subdivisions of the State Electoral District of Gippsland West; and the State Electoral District of Mornington.

Electoral Area No. 4.—The Wangaratta Subdivision of the State Electoral District of Benambra; the Walhalla, Maffra and Toongabbie Subdivisions of the State Electoral District of Gippsland East; the Neerim South, Warragul South, Trafalgar and Yallourn Subdivisions of the State Electoral District of Morwell; the Pakenham, Drouin, Warragul and Koo-wee-rup Subdivisions of the State Electoral District of Gippsland West; the Benalla, Violet Town, Euroa, Avenel, Yea, Alexandra and Mansfield Subdivisions of the State Electoral District of Benalla; the Metropolitan State Electoral Districts; and the remainder of the State Electoral Districts of the State of Victoria not included in Areas 1, 2 or 3.

And the Honorable Vance Oakley Dickie, Her Majesty's Acting Minister of Agriculture for the State of Victoria, shall give the necessary directions herein accordingly.

J. COLQUHOUN,
Clerk of the Executive Council.

CEMETERIES ACT 1958.

At the Executive Council Chamber, Melbourne, the sixth day of October, 1964.

PRESENT:

His Excellency the Governor of Victoria.
Mr. Thompson | Mr. Bloomfield.
Mr. Reid

ORDER APPROVING OF OPENING OF A CEMETERY.

WHEREAS by the *Cemeteries Act 1958* (No. 6217), section 44, it is enacted that no cemetery or burial ground shall be established or opened in Victoria save with

the approval of the Governor in Council: Now therefore be it known by this present Order that His Excellency the Governor of the State of Victoria by and with the advice of the Executive Council thereof doth hereby approve of the establishment and opening of a cemetery to be known as the Melbourne Chevra Kadisha Public Cemetery (Springvale) on land comprising 21 acres 3 roods 7 perches in the Parish of Dandenong, County of Bourke, as defined and published in the *Government Gazette* of the 22nd July, 1964, on page 2412.

And the Honorable Ronald William Mack, Her Majesty's Minister of Health for the State of Victoria shall give the necessary directions herein accordingly.

J. COLQUHOUN,
Clerk of the Executive Council.

SHEPPARTON URBAN WATERWORKS TRUST.

At the Executive Council Chamber, Melbourne, the thirteenth day of October, 1964.

PRESENT:

His Excellency the Governor of Victoria.
Mr. Hamer | Mr. Darcy.
Mr. Rossiter

ANNUAL ELECTION OF COMMISSIONERS.

UNDER the powers conferred by the Water Acts and all other powers enabling him in that behalf, His Excellency the Governor of the State of Victoria, by and with the advice of the Executive Council of the said State, doth hereby direct that one-third of the Commissioners elected by the ratepayers of the said Trust shall retire and be elected annually and the Commissioners who shall so retire shall be those who have held office for the longest term without re-election, and if by reason of two or more Commissioners having become Commissioners at the same time it is not apparent under the foregoing part of this section which of such last-mentioned Commissioners ought at any time to go out of office, then such Commissioners as to whom it is not apparent shall go out of office in the order of the number of votes obtained by each at his election, commencing with the smallest number and proceeding upwards, and in all such cases if the votes given for any Commissioners of whom a number less than the whole are to go out of office at any one time have been equal, or if such Commissioners have been elected without a poll, the Trust fourteen days at least previously to the day appointed for the going out of office, and in the Trust's default the Governor in Council shall for such occasion determine in what order and which of such Commissioners shall go out of office.

And the Honorable Thomas Anthony Darcy, Her Majesty's Minister of Water Supply for the State of Victoria, shall give the necessary directions herein accordingly.

J. COLQUHOUN,
Clerk of the Executive Council.

SEYMOUR SEWERAGE AUTHORITY.

At the Executive Council Chamber, Melbourne, the thirteenth day of October, 1964.

PRESENT:

His Excellency the Governor of Victoria.
Mr. Hamer | Mr. Darcy.
Mr. Rossiter

CONSENT TO BORROWING £50,000.

UNDER the powers conferred by the Sewerage Districts Act and all other powers enabling him in that behalf, His Excellency the Governor of the State of Victoria, by and with the advice of the Executive Council of the said State, doth hereby consent to the Seymour Sewerage Authority borrowing by the assignment of the General Fund the sum of Fifty thousand pounds (£50,000) to meet the cost of sewerage works as set forth in the detailed statement bearing date the 9th October, 1964.

And the Honorable Thomas Anthony Darcy, Her Majesty's Minister of Water Supply for the State of Victoria, shall give the necessary directions herein accordingly.

J. COLQUHOUN,
Clerk of the Executive Council.

DROUIN WATERWORKS TRUST.

At the Executive Council Chamber, Melbourne, the thirteenth day of October, 1964.

PRESENT:

His Excellency the Governor of Victoria.
Mr. Hamer | Mr. Darcy.
Mr. Rossiter

ANNUAL ELECTION OF COMMISSIONERS.

UNDER the powers conferred by the Water Acts and all other powers enabling him in that behalf, His Excellency the Governor of the State of Victoria, by and with the advice of the Executive Council of the said State, doth hereby direct that one-third of the Commissioners elected by the ratepayers of the said Trust shall retire and be elected annually and the Commissioners who shall so retire shall be those who have held office for the longest term without re-election, and if by reason of two or more Commissioners having become Commissioners at the same time it is not apparent under the foregoing part of this section which of such last-mentioned Commissioners ought at any time to go out of office, then such Commissioners as to whom it is not apparent shall go out of office in the order of the number of votes obtained by each at his election, commencing with the smallest number and proceeding upwards, and in all such cases if the votes given for any Commissioners of whom a number less than the whole are to go out of office at any one time have been equal, or if such Commissioners have been elected without a poll, the Trust fourteen days at least previously to the day appointed for the going out of office, and in the Trust's default the Governor in Council shall for such occasion determine in what order and which of such Commissioners shall go out of office.

And the Honorable Thomas Anthony Darcy, Her Majesty's Minister of Water Supply for the State of Victoria, shall give the necessary directions herein accordingly.

J. COLQUHOUN,
Clerk of the Executive Council.

GEELONG WATERWORKS AND SEWERAGE TRUST.

At the Executive Council Chamber, Melbourne, the thirteenth day of October, 1964.

PRESENT:

His Excellency the Governor of Victoria.
Mr. Hamer | Mr. Darcy.
Mr. Rossiter

CONSENT TO BORROWING £150,000.

UNDER the powers conferred by the Geelong Waterworks and Sewerage Acts and all other powers enabling him in that behalf, His Excellency the Governor of the State of Victoria, by and with the advice of the Executive Council of the said State, doth hereby consent to the Geelong Waterworks and Sewerage Trust borrowing at interest, subject to the Geelong Waterworks and Sewerage Acts, the sum of One hundred and fifty thousand pounds (£150,000) in two amounts of Seventy-five thousand (£75,000) to meet the cost of sewerage works.

And the Honorable Thomas Anthony Darcy, Her Majesty's Minister of Water Supply for the State of Victoria, shall give the necessary directions herein accordingly.

J. COLQUHOUN,
Clerk of the Executive Council.

Lot 6.

TOWNSHIP OF BALLAARAT EAST, PARISH OF BALLAARAT.
COUNTY OF GRANT.

Fronting the north-east side of Cobden-street, about 80 links south-east of Peady-street.

Upset price £120 the lot. Survey fee £5 10s.

Area 22 perches, subject to survey, allotment 15 of section 118. One month allowed for removal of improvements.—(J.23038.)

Lot 7.

PARISH OF BUNINYONG, COUNTY OF GRANT.

Fronting the east side of a Government-road, about 1 mile west of the Buninyong Township and about 25 chains south of the Midlands Highway.

Upset price £60 the lot. Survey fee £12 5s.

Area 19a. 3r. 38p., allotment 8k⁴. One month allowed for removal of improvements.—(J.30410.)

TOWNSHIP OF NERRINA, PARISH OF BALLAARAT, COUNTY OF GRENVILLE.

In the south of the Township.

Lot 8.

Upset price £120 the lot. Survey fee £7 12s. 6d.

Area 2a. 3r. 38p., allotment 9 of section 3. One month allowed for removal of improvements.

Lot 9.

Upset price £120 the lot. Survey fee £7 12s. 6d.

Area 3a. 0r. 5p., allotment 10 of section 3. One month allowed for removal of improvements.

Lot 10.

Upset price £60 the lot. Survey fee £7 7s. 6d.

Area 2a. 0r. 26p., allotment 18 of section 3. One month allowed for removal of improvements.

Lot 11.

Upset price £60 the lot. Survey fee £7 7s. 6d.

Area 2a. 0r. 15p., allotment 5 of section 3. One month allowed for removal of improvements.—(J.30168.)

NOTE.—Lots 1 to 11 inclusive are within an area covered by an Interim Development Order administered by the Ballarat and District Joint Town Planning Committee.

PARISH OF CLARKESDALE, COUNTY OF GRENVILLE.

Corner allotments on the north-west side of the Cape Clear-Scarsdale road, about 5 miles south of Scarsdale.

Lot 12.

Upset price £200 the lot. Survey fee £10 2s. 6d.

Area 14a. 3r. 26p., allotment 25J of section G. One month allowed for removal of improvements.

Lot 13.

Upset price £60 the lot. Survey fee £7 12s. 6d.

Area 4a. 0r. 18p., allotment 25H of section G. One month allowed for removal of improvements.—(J.30765.)

Lot 14.

PARISH OF ENFIELD, COUNTY OF GRENVILLE.

About 3 miles east of the Ballarat-Colac road in the north-west of the parish.

Upset price £135 the lot. Survey fee £13 2s. 6d.

Area 33a. 0r. 21p., allotment 25B of section S.—(J.31661.)

Lot 15.

PARISH OF YARROWEE, COUNTY OF GRENVILLE.

Fronting the north-west side of a Government-road, about 1 mile north-west of Napoleons.

Upset price £120 the lot. Survey fee £11 5s.

Area 28a. 1r. 23p., allotment 43A¹. One month allowed for removal of improvements.—(J.30158.)

TOWNSHIP OF BEAUFORT, PARISH OF BEAUFORT, COUNTY OF RIPON.

Lot 16.

Fronting the south-west corner of the Junction of Warburton and Parker streets.

Upset price £80 the lot. Survey fee £5 10s.

Area 30 perches, allotment 20 of section 31A. One month allowed for removal of improvements.

Lot 17.

Fronting the southern side of Warburton-street, 97 links west of Parker-street.

Upset price £80 the lot. Survey fee £5 10s.

Area 30 perches, allotment 21 of section 31A. One month allowed for removal of improvements.

Lot 18.

Fronting the western side of Parker-street, 203 links south of Warburton-street.

Upset price £80 the lot. Survey fee £5 10s.

Area 30 perches, allotment 21A of section 31A. One month allowed for removal of improvements.—(J.30455.)

Lot 19.

PARISH OF SMYTHESDALE, COUNTY OF GRENVILLE.

Abutting the reservation to the western side of Smythes Creek and about 1 mile north-west of the Smythesdale Railway Station.

Upset price £45 the lot. Survey fee £7 12s. 6d.

Area 3a. 2r., subject to survey, allotment D¹⁸. Valuation of improvements, £1,174 (C. F. Cooper) (house, out-buildings, tanks and fencing).—(J.31386.)

Lot 20.

TOWNSHIP OF GORDON, PARISH OF KERRIT BARETT,
COUNTY OF GRANT.

Fronting both Stanley and Gladstone streets, 1 chain north of the State School Reserve.

Upset price £35 the lot. Survey fee £7 7s. 6d.

Area 2a. 0r. 30p., allotment 13 of section 6.—(J.26847.)

Lot 21.

About 3½ chains east of Lyndhurst-street, fronting south side of the street about 3 chains north of the water reserve.

Upset price £30 the lot. Survey fee £6 12s. 6d.

Area 3r. 26p., allotment 2 of section 12. One month allowed for removal of improvements.—(J.30316.)

Lot 22.

PARISH OF SCARSDALE, COUNTY OF GRENVILLE.

At the south-east corner of Hamilton and Padgett streets.

Upset price £25 the lot. Survey fee £6 12s. 6d.

Area 2r. 8p., subject to survey, allotment 11L of section 5.—(J.22625.)

Lot 23.

TOWNSHIP OF EGERTON, PARISH OF BUNGAL,
COUNTY OF GRANT.

Fronting the west side of a Government-road in the north of the Township.

Upset price £20 the lot. Survey fee £6.

Area 1r. 18p., subject to survey, allotment 8 of section 7.—(J.25476.)

ARARAT.—Sale (No. 11758) of Crown land in fee-simple, by auction, will be held at the COURT HOUSE, ARARAT, on THURSDAY, the 19th NOVEMBER, 1964, at ELEVEN o'clock a.m. To be conducted by L. GIBNEY, Land Officer, Ballarat.

Lot 1.

PARISH OF ARARAT, COUNTY OF RIPON.

Fronting the north-western side of the southern end of Brewster-road.

Upset price £200 the lot. Survey fee £7.

Area 1a. 2r., subject to survey, allotment 37B of section 14. One month allowed for removal of improvements.—(J.31005.)

Lot 2.

Fronting the north-western side of a Government road and about 24 chains north-west of the corner of Picnic and Brewster roads.

Upset price £27 10s. the lot. Survey fee £8 10s.

Area 2a. 3r., allotment 31M of section 14. Subject to the special condition requiring that after issue of the Crown grant the grantee shall grant an easement for transmission line purposes to the City of Ararat by express grant.

NOTE.—Lots 1 and 2 are within an area covered by an Interim Development Order administered by the City and Shire of Ararat Joint Planning Authority.—(J.30732.)

Lot 3.

PARISH OF MOYSTON WEST, COUNTY OF BORUNG.
Fronting the south side of the Pomonal-Moyston road about 7 miles east of Pomonal.

Upset price £100 the lot. Survey fee £26 12s. 6d.
Area 78a. 3r. 1p., allotment 17 of section A.—(J.31102.)

Lot 4.

PARISH OF MOYSTON, COUNTY OF BORUNG.
About 1½ miles north-east of the Moyston Township.

Upset price £45 the lot. Survey fee £8.
Area 6a. 0r. 7p., allotment 329F.—(J.31495.)

OUYEN.—Sale (No. 11759) of Crown land, in fee-simple, by auction, will be held at the LAND INSPECTOR'S OFFICE, OUYEN, on MONDAY, the 23rd NOVEMBER, 1964, at NINE o'clock a.m. To be conducted by L. GIBNEY, Land Officer, Ballarat.

Lot 1.

PARISH OF OUYEN, COUNTY OF KARKAROO.
Fronting the west side of Scott-street about 5 chains north of William-street, Ouyen.

Upset price: £1,650 the lot. Survey fee £6.

Area 2r. 16p., subject to survey, allotment 16 of section A, together with all improvements thereon. Subject to special conditions requiring that until the purchase money has been paid in full, the purchaser shall at his own expense maintain the property in good order and keep all improvements thereon insured in the name of the Secretary for Lands, and that he shall not remove or make any alterations to such improvements without consent of the Secretary for Lands.

NOTES.—Improvements comprise a weatherboard residence of about 11 squares, garage and outbuildings and are being sold on behalf of the State Rivers and Water Supply Commission.

Allotment 16 as now offered comprises land hitherto shown on Departmental plans as allotments 16 and 17.—(M.25760.)

Lot 2.

PARISH OF MOURNPOUL, COUNTY OF KARKAROO.
Fronting the east side of the Calder Highway about 6 chains north of the Murray Valley Highway.

Upset price: £100 the lot. Survey fee £7 7s. 6d.
Area: 3a. 1r. 18p., allotment 21B.—(M.36150.)

PROPOSED PERMANENT RESERVATION OF LAND AS A SITE.

IN pursuance of the provisions of the Land Act 1958, notice is hereby given that it is the intention of the Governor in Council to permanently reserve as a site the land hereunder referred to:—

The following Notice was published 1° on the 14th October, 1964, pursuant to Order of the 6th October, 1964.

JIKA JIKA (CLIFTON HILL).—Land proposed to be permanently reserved as a site for a Public Park and other purposes of Public Recreation, 23 acres, more or less, at Clifton Hill, City of Collingwood, Parish of Jika Jika, County of Bourke, being the site temporarily reserved therefor by Order in Council of the 1st December, 1908.—(C.366(4) (Rs.602).

J. C. M. BALFOUR,
Commissioner of Crown Lands and Survey.

PROPOSED REVOCATION OF TEMPORARY RESERVATION OF LAND BY ORDER IN COUNCIL.

IN pursuance of the provisions of the Land Act 1958, notice is hereby given that it is the intention of the Governor in Council to revoke the temporary reservation of land by Order in Council hereunder referred to, viz.:—

The following Notice was published 1° on the 14th October, 1964, pursuant to Order of the 6th October, 1964.

DONDANGADALE.—The temporary reservation by Order in Council of the 21st February, 1928, of 4 acres, more or less, of land in the Parish of Dondangadale as a site for Water and Camping.—(D.196(3) (Rs.3623).

J. C. M. BALFOUR,
Commissioner of Crown Lands and Survey.

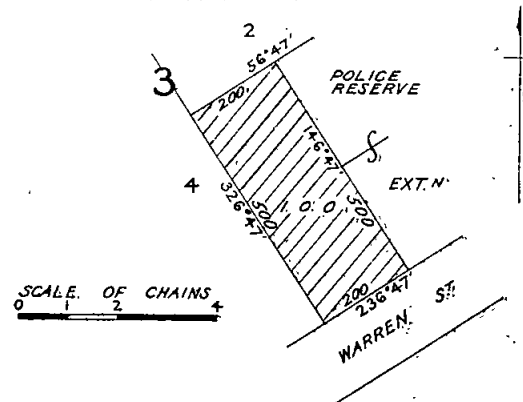
PROPOSED REVOCATIONS OF TEMPORARY RESERVATIONS OF LANDS BY ORDERS IN COUNCIL.

IN pursuance of the provisions of the Land Act 1958, notice is hereby given that it is the intention of the Governor in Council to revoke the temporary reservations of lands by Orders in Council hereunder referred to, viz.:—

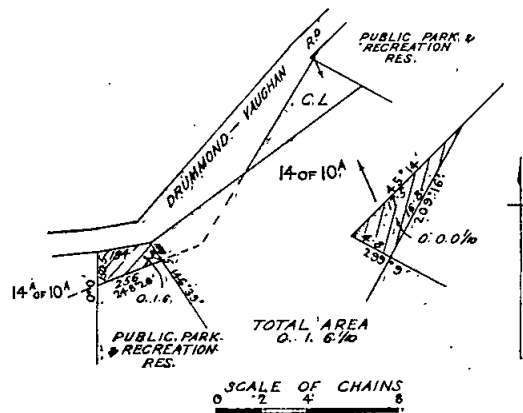
The following Notices were published 1° on the 23rd September, 1964, pursuant to Orders of the 15th September, 1964.

BULN BULN.—The temporary reservation, by Order in Council of the 11th August, 1879, of certain Crown lands on the shores of Bass Strait and the Southern Ocean as sites for Public purposes, revoked as to part by various Orders, is about to be revoked so far only as the portions in the County of Buln Buln indicated by blue colour on plan H with Lands Department correspondence Rs.2362, are concerned.—(S.450(2) (S.464(1) (Rs.2362).

ECHUCA.—The temporary reservation, by Order in Council of the 29th December, 1868, of 1 acre 2 roods of land in the Township of Echuca as a site for Police purposes is about to be revoked so far only as the portion containing 1 acre, indicated by hachure on plan hereunder, is concerned.—(E.3(2) (Rs.4886).



FRYERS.—The temporary reservation, by Order in Council of the 23rd August, 1927, of 99 acres of land in the Parish of Fryers as a site for Public Park and Recreation is about to be revoked so far only as the portions containing 1 rood 6 1/10 perches, indicated by hachure on plan hereunder, are concerned.—(F.47(6) (Rs.3188).



WARRENHEIP.—The temporary reservation, by Order in Council of the 14th August, 1871, of 7 acres 3 roods 9 perches of land in the Parish of Warrenheip as a site for Watering purposes and whence Stone may be procured, revoked as to part by Order of the 14th September, 1954, is about to be revoked so far as the balance thereof containing 5 acres 2 roods 23 perches, is concerned.—(W.8(2) (C.92175).

J. C. M. BALFOUR,
Commissioner of Crown Lands and Survey.

Land Act 1958.

LEASE SURRENDERED.

NOTICE is hereby given that the Governor in Council has accepted the surrender of the Lease mentioned in the Schedule hereunder for the reason specified.

District.	Corr. No.	Name.	Section of Land Act under which Leased.	Parish.	Allotment.	Section.	Area.	Class.	Reason.
Melbourne	0606/134	National Fitness Council of Victoria	134	Warrandyte	4D		A. R. P. 48 0 36		Surrendered

Department of Crown Lands and Survey,
Melbourne, 6th October, 1964.

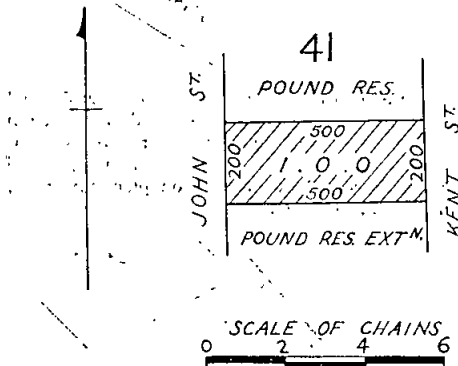
J. C. M. BALFOUR,
Commissioner of Crown Lands and Survey.

PROPOSED REVOCATIONS OF TEMPORARY RESERVATIONS, AND THE WITHHOLDING FROM SALE, LEASING, AND LICENSING OF LANDS BY ORDERS IN COUNCIL.

IN pursuance of the provisions of the Land Act 1958, notice is hereby given that it is the intention of the Governor in Council to revoke the temporary reservations, and the withholding from sale, leasing and licensing of lands by Orders in Council hereunder referred to, viz:—

The following Notices were published 1° on the 23rd September, 1964, pursuant to Orders of the 15th September, 1964.

MAFFRA.—The temporary reservation as a site for a Pound and the withholding from sale, leasing and licensing by Order in Council of the 8th September, 1879, of 4 acres 0 roods 24 perches of land in the Township of Maffra, revoked as to part by Order of the 6th March, 1899, are about to be revoked so far only as the portion containing 1 acre, indicated by hachure on plan hereunder, is concerned.—(M.89(4)) (Rs.5757).



MAFFRA.—The temporary reservation as a site for a Pound and the withholding from sale, leasing and licensing by Order in Council of the 25th November, 1879, of 1 acre of land in the Township of Maffra.—(M.89(4)) (Rs.5757).

J. C. M. BALFOUR,
Commissioner of Crown Lands and Survey.

PROPOSED REVOCATION OF TEMPORARY RESERVATION OF LAND BY ORDER IN COUNCIL.

IN pursuance of the provisions of the Land Act 1958, notice is hereby given that it is the intention of the Governor in Council to revoke the temporary reservation of land by Order in Council hereunder referred to, viz:—

The following Notice was published 1° on the 30th September, 1964, pursuant to Order of the 22nd September, 1964.

TEMPLESTOWE.—The temporary reservation, by Order in Council of the 4th October, 1949, of 4 acres 0 roods 20 perches, more or less, of land in the Township of Templestowe as a site for Public Recreation.—(T.76(2)) (Rs.6387).

J. C. M. BALFOUR,
Commissioner of Crown Lands and Survey.

LOCAL LAND BOARDS.

IN pursuance of the provisions of section 34 of the Land Act 1958, notice is hereby given that public hearings at the following place and times, will be conducted by the persons respectively mentioned, being duly appointed in that behalf.

J. C. M. BALFOUR,
Commissioner of Crown Lands and Survey,
Department of Crown Lands and Survey,
Melbourne.

SCHEDULE.

SALE LAND OFFICE, Tuesday, 27th, and Wednesday, 28th October, 1964, at 9 a.m. each day.—H. J. Macdonald and W. C. Harry.

COMMITTEES OF MANAGEMENT OF RESERVES. APPOINTMENTS.

WHEREAS by section 221 of the Land Act 1958 it is provided that it shall be lawful for the Governor in Council or the Board of Land and Works to appoint and remove any number of persons, not less than three, or any municipal council, or the governing body of any corporation, to be a Committee of Management of any specified Crown land reserved either temporarily or permanently for any of the purposes set out in section 14 of the Land Act 1958, and not conveyed to or vested in trustees: Now therefore the Board of Land and Works doth hereby appoint the under-mentioned persons to be members of the Committee of Management of the Reserves named:—

"BULLARTO PUBLIC PURPOSES RESERVE."

The Council of the Shire of Glenlyon as a Committee of Management of the land in the Parish of Bullarto, temporarily reserved by Orders in Council dated the 18th January, 1938, and the 23rd June, 1964, as a site for Public purposes.—(Corres. Rs.4765.)

"COBDEN RECREATION RESERVE."

John Stewart Blake, F. A. Robertson, Ian Campbell McArthur, John Sidney Sartori, Neville Raymond Vagg, Graem Stuart Rix, Frank Hodgson, Victor Norman Jones and Clifford John Biesse as a Committee of Management for a period of three years (3) years of the land temporarily reserved as a site for Public Recreation and situated between section 18 and the railway line in the Township of Cobden, and known as the "Cobden Recreation Reserve".—(Corres. Rs.1015.)

"CRESSY RECREATION RESERVE."

Stewart Reynolds, Ron F. Walker, James Charles Walton, Albert Holmes, Noel William Nelson, Robert Bruce Nelson and Charles Henry Smart as a Committee of Management for a period of three (3) years of the land temporarily reserved by Order in Council dated 22nd May, 1917, as a site for Recreation purposes in the Town of Cressy, and known as the "Cressy Recreation Reserve".—(Corres. Rs.1539.)

"CROWLANDS RECREATION RESERVE."

R. D. Bligh, A. Tucker, K. W. Lewis, R. Shields, W. T. Lewis, A. J. Williams, A. N. Boatman, D. J. Hart, M. J. Williams, A. E. Wilkinson and B. A. Boatman as a Committee of Management for a period of three (3) years

of the land in the Township and Parish of Crowlands temporarily reserved by Order in Council dated 19th January, 1886, as a site for Public Recreation, and known as the "Crowlands Recreation Reserve".—(Corres. Rs.2864.)

"ELTHAM PARK RESERVE."

John Alexander Hampton Lewis in the place of Eric Edward Harmer (no longer a Councillor), for so long only as he is a Councillor and the elect of the Council of the Shire of Eltham, as a member of the Committee of Management of the land temporarily reserved by Order in Council dated the 28th May, 1913, as a site for Public Recreation in the Township of Eltham, and known as the "Eltham Park Reserve".—(Corres. Rs.932.)

"GEELONG EAST PUBLIC HALL, FREE LIBRARY AND RECREATION RESERVE."

Ernest Percival Bradley, Arthur Horman Joy, Wilfred Frank Anderson, Murray Cairncross, Dawson Ford Gillies, Alfred Thomas Dell, Herbert Hoyle, William James Newcombe and Ronald William Tippett as a Committee of Management for a period of three (3) years of the land temporarily reserved by Order in Council dated the 11th April, 1906, as a site for a Public Hall, Free Library and Recreation purposes in the City of Geelong, and known as the "Geelong East Public Hall, Free Library and Recreation Reserve".—(Corres. Rs.5491.)

"HOMERTON PUBLIC HALL RESERVE."

Angus John Wyllie, Rex Millard, John Millard, Harold Moore, Edward Field, Albert Holland, William Field, Leslie Coustley, Clive Alexander Mitchell and Claude McLennan as a Committee of Management for a period of three (3) years of the land in the Parish of Homerton, temporarily reserved as a site for Public Hall by Order in Council dated the 28th April, 1964, and known as the "Homerton Public Hall Reserve".—(Corres. Rs.8321.)

"MOUNT COLE CREEK PUBLIC HALL RESERVE."

Wilmot Keith Thomas, Thomas Henry Hardy, William Keith Allender, Arthur Keith Allender, Arthur Gordon Allender and Alan James Farish as the Committee of Management for a period of three (3) years of the land temporarily reserved by Order in Council dated the 8th May, 1928, as a site for a Public Hall in the Parish of Mount Cole, and known as the "Mount Cole Creek Public Hall Reserve".—(Corres. Rs.3663.)

"NETHERBY MECHANICS' INSTITUTE RESERVE."

Edgar Alfred Rethus, George Leonard Evans, Graham Stanley Nottle, Alan Walter Smith, Herbert John Wilksch, Mervyn Harold Marra, Alfred Norman Cramer, Wilfred Walter Rethus, Eric Noel Zanker and Mervyn Lewis Cramer as a Committee of Management for a period of three (3) years of the land in the Township of Netherby permanently reserved by Order in Council dated 2nd October, 1894, as a site for a Mechanics' Institute and Free Library, and known as the "Netherby Mechanics' Institute Reserve".—(Corres. Rs.2059.)

"ROMSEY MECHANICS' INSTITUTE RESERVE."

Thomas Carter Reynolds, Christopher Sidney Johnston, Leslie Argyle McIntyre, Roy Newell Twiss, Colin Alister Newnham, Ernest Lindsay Francis, John Andrew Pennington, Jack Patterson, Robert Linsten, Gerald Francis Skehan, Alan Richard Moore and Kenneth George Turner as a Committee of Management for a period of three (3) years of the land in the Township of Romsey, Parish of Lancefield permanently reserved by Order in Council dated 5th October, 1896, as a site for a Mechanics' Institute and Free Library and known as the "Romsey Mechanics' Institute".—(Corres. Rs.2050.)

"RUFFY MECHANICS' INSTITUTE AND FREE LIBRARY."

William J. Eddy, Bruce Noye, Keith C. Threlfall, Robert Samuel Albert Penny, Leonard F. Sinclair, Neil Bernard Doney, Stanley Ian Artridge, Dawn Evelyn Artridge, Edgar Saxon Penny and Henry James Noye as a Committee of Management for a period of three (3) years of the land temporarily reserved by Order in Council dated 1st April, 1890, as a site for a Mechanics' Institute and Free Library in the Township of Ruffy.—(Corres. Rs.5741.)

"TORRITA RECREATION RESERVE AND PUBLIC HALL."

Stephen Pole, Thomas Stanislaus Foley, Daniel Pryse, Donald Henry Pole, Anthony John Lester, Lindsay John Mead and Charles Claude Stone as a Committee of Management for a period of three (3) years of the land temporarily reserved by Order in Council dated 21st September, 1936, as a site for Public Hall and Recreation in the Township and Parish of Nyang, and known as the "Torrta Recreation Reserve and Public Hall".—(Corres. Rs.4459.)

"TUNGAMAH RACECOURSE AND RECREATION RESERVE."

John Peter Mulquiney, Norman Jellicoe Skinner, Russell John Skinner, Walter Buerckner, Harry Phillip Cooper and Brian Ellis as a Committee of Management for a period of three (3) years, of the land temporarily reserved by Order in Council dated 5th March, 1906, as a site for a Racecourse and other purposes of Public Recreation in the Township of Tungamah, and known as the "Tungamah Racecourse and Recreation Reserve".—(Corres. Rs.2711.)

"YALLOURN NORTH RECREATION RESERVE."

Thomas Franklin Pye, Gordon William Cook, Richard John Steffen, Maurice James Gorman, Edward John Keating, John Dudley Gardner, Brian Richardson and William George Kempster as a Committee of Management for a period of three (3) years of the land in the Parish of Tanjil East, temporarily reserved by Order in Council dated the 30th June, 1964, as a site for Public Recreation, and known as the "Yallourn North Recreation Reserve".—(Corres. Rs.8331.)

"YARRAGON RECREATION AND CHILDREN'S PLAYGROUND RESERVE."

Daniel Clifford Vaughan, John Robert Larkin, John Alexander James Tulloch, James Standing, Robert Edward Parke, William James Hay and Clyde Leslie White as a Committee of Management for a period of three (3) years of the land temporarily reserved by Order in Council of 1st June, 1948, as a site for Public Recreation and Children's Playground in the Township of Yarragon.—(Corres. Rs.6148.)

In witness whereof the common seal of the Board of Land and Works was hereunto affixed this 5th day of October, One thousand nine hundred and sixty-four, in the presence of—

(SEAL) JIM BALFOUR, President.
L. W. BIRCH, Member.

TENDERS—PUBLIC WORKS DEPARTMENT

TENDERS will be received at this Department's Head Office, Treasury-place, Melbourne, until TEN a.m. on the dates, and for the purposes under mentioned.

Particulars may be learnt at the Department and also at places shown in parentheses.

W.O. means Inspector of Works Office; P.S.—Police Station; T.S.—Technical School; H.E.S.—Higher Elementary School; S.S.—State School; H.S.—High School; C.S.—Consolidated School.

Tenders should be submitted on the Department's printed Tender Form and will not be received by telephone. All tenders must be on a "Firm Tender" basis. The Board of Land and Works will not necessarily accept the lowest or any tender.

Tenders to be addressed to the Hon. the Commissioner of Public Works, and envelope containing tender to be marked "Tender for , closing Tuesday, ."

NOTE.—No preliminary deposit is to be lodged with any tender, but a deposit in accordance with the prescribed Schedule may be required from each successful tenderer.

Tuesday, 20th October, 1964.

Building, Electrical and Mechanical Works.

Baddaginnie.—Renovations and painting, S.S. 1731. (W.O., Benalla.)

Badger Creek.—Internal and external repairs and painting, S.S. 3309. (S.S., Badger Creek.)

Bunyip.—Internal and external renovations, residence, S.S. 2229. (S.S., Bunyip.)

Emerald.—Internal repairs and painting, S.S. 3381. (S.S., Emerald.)

Tuesday, 27th October, 1964.

Clifton Hill.—Internal repairs and painting, S.S. 3146.
Collingwood.—Supply and fixing of fibrous plaster, Technical School.

Elwood.—Replacing existing drinking troughs with new stainless-steel, S.S. 3942.

Epping.—External painting, S.S. 1477.

Fairfield.—External and internal repairs and painting, S.S. 2711.

Fairfield.—Supply, installation and testing of paging system, Infectious Diseases Hospital.

Gonn Crossing.—External and internal repairs and painting, S.S. 4566 and residence. (W.O., Swan Hill; S.S., Gonn Crossing.)

Lemnos.—External repairs and painting to L.T.C. class-room, original school, toilet block, &c., S.S. 4269. (W.O., Shepparton; S.S., Lemnos.)

Macarthur.—New heaters, cupboards and partition, S.S. 1571. (W.O., Warrnambool; S.S., Macarthur.)

Mardan South.—Internal repairs and painting to residence, S.S. 3166. (W.O., Korumburra; S.S., Mardan South.)

Melbourne.—Internal painting (part only), Emily McPherson College.

Melbourne.—Remodelling of Hostel kitchen, laundry, ironing room and establishment of two class-rooms, Emily McPherson College of Domestic Economy.

Mildura.—Fencing, Technical School. (W.O., Mildura.)

Mt. Dandenong.—Installation of water supply, S.S. 3284. (S.S., Mt. Dandenong.)

North Melbourne.—Supply and installation of electric lift, School of Printing and Graphic Arts.

North Melbourne.—Electrical installation in three new floors and alterations to existing floors, Melbourne School of Printing and Graphic Arts.

Nunawading.—Supply and installation of gas hot-water service in Dressing Shed, "Winlaton" Girls' Home.

Preston.—Supply and installation of plenum heating and hot-water service in new Trades Wing, Technical School.

Pyramid Hill.—Repairs and painting to residence, old school and outbuildings and other works, S.S. 1712. (W.O., Bendigo; S.S., Pyramid Hill.)

Southwood.—Erection of new Primary School, consisting of eight class-rooms, S.S. 4857.

Southwood.—Supply and installation of plenum heating in eight new class-rooms, S.S. 4857.

Swan Hill.—Fencing, S.S. 1142. (W.O., Swan Hill; S.S., Swan Hill.)

Torrira.—Erection of out-offices and installation of septic tank, S.S. 3871. (W.O., Mildura; S.S., Torrira.)

Undera.—Erection of non-party fencing, S.S. 1771. (W.O., Shepparton; S.S., Undera.)

Walwa.—New slow combustion heaters, S.S. 2806. (W.O., Wangaratta.)

Williamstown.—Renewal of urinal and water supply, S.S. 1183.

Yarra Junction.—External repairs and painting to school, residence and all out-buildings, S.S. 3216. (S.S., Yarra Junction.)

Yarrunga.—Repairs and renovations and external painting to all buildings, S.S. 4761. (W.O., Wangaratta; S.S., Yarrunga.)

Youanmite.—External painting to L.T.C. class-room, shelter pavilion and toilet block, S.S. 3641. (W.O., Benalla; S.S., Youanmite.)

Furniture and Furnishings.

Carlton.—Supply of steel cabinets, Motor Registration Branch.

Hawthorn.—Supply of 60 tube steel students tables, Swinburne Technical College.

Malmsbury.—Supply and assemble on site, steel shelving to various rooms in Mess Block, Youth Training Centre.

Melbourne.—Supply of executive office furniture, Town and Country Planning Board.

Nunawading.—Supply of duralium-framed beds, "Winlaton"; Social Welfare Department.

Nunawading.—Supply of polyurethane mattresses and covers, "Winlaton"; Social Welfare Department.

Site Works.

Castlemaine.—Excavation and filling of school site, High School. (W.O., Bendigo and Kyneton.)

Mildura.—Installation of storm-water drains, High School. (W.O., Mildura.)

Miscellaneous.

Melbourne.—Maintenance cleaning, period 1st November, 1964, to 31st October, 1965, Maternal and Child Welfare Branch, 278 Queen-street.

Royal Park.—Supply and placing in position on site of kitchen equipment, for the kitchen at Male Convalescent "B" Ward, Psychiatric Hospital.

Building, Electrical and Mechanical Works.

Ballarat.—Additional room and alterations, Court House. (W.O., Ballarat.)

Bentleigh East.—Erection of new shelter pavilion, S.S. 2083.

Brim East.—Repairs and painting, S.S. 3733 and residence. (W.O., Warracknabeal.)

Colac.—Erection of paling fencing, Technical School. (W.O., Camperdown; T.S., Colac.)

Combiobar.—Erection of out-offices, septic tank and shelter pavilion, S.S. 3691. (W.O., Bairnsdale; S.S., Combiobar.)

Donald.—Renovations and painting to residence, 26 Gray-street, S.S. 1465. (W.O., Maryborough; S.S., Donald.)

Drouin.—Renovations, High School (W.O., Warragul; H.S., Drouin.)

East Loddon.—Internal and external renovations, Consolidated School residences. (W.O., Bendigo; C.S., East Loddon.)

Geelong.—Additional toilet facilities, Police Station. (W.O., Geelong.)

Hawthorn.—Additions and alterations to Ethel Swinburne Assembly Hall and Cafeteria, Swinburne Technical College.

Hawthorn.—Electrical installation in Servery and Kitchen, Swinburne Technical College.

Hawthorn.—Supply and installation of mechanical services in additions to Cafeteria, Swinburne Technical College.

Leongatha.—Supply and installation of heating system to new class-room wing, S.S. 2981. (W.O., Warragul, Traralgon and Korumburra.)

Macleod.—Internal and external repairs and painting, S.S. 4246.

Malmsbury.—Electrical installation for Dormitory Block No. 2, Youth Training Centre. (W.O., Bendigo and Kyneton.)

Melbourne.—Supply and installation of heating to new glass-house, Royal Botanic Gardens.

Melbourne.—Supply and installation of air-conditioning units in Court of Petty Sessions Offices, City Law Courts.

Melbourne.—Provision of intercommunication system, Local Government Department, 61 Spring-street. (Amended Specification.)

Mont Park.—Modification of central heating installation, Larundel Mental Hospital.

Oxley Flats.—Provision of out-office block, installation of septic tank, absorption drains, stainless-steel trough, S.S. 2347. (W.O., Benalla.)

Pakenham.—Installation of septic sewerage, Lands Department Depot and residence. (Lands Department Depot, Pakenham.)

Port Melbourne.—Construction of reinforced concrete cross channels, floor and kerbs of the Marine Models Laboratory, Ports and Harbors Branch, Public Works Department.

South Melbourne.—Alterations to waiting rooms and various works, S.S. 1852.

Southwood.—Electrical installation in new school of eight (8) L.T.C. class-rooms, &c., S.S. 4857.

Stawell.—Repairs and painting, Technical School. (W.O., Ararat.)

Sunshine.—Erection of store, High School.

Traralgon.—Erection of workshop and garages, Hobson Park Hospital. (W.O., Traralgon.)

Traralgon.—Electrical installation for new workshop and garages, Hobson Park Hospital. (W.O., Traralgon.)

Traralgon.—Installation and testing of heating and hot-water service to new workshop, Hobson Park Hospital. (W.O., Traralgon.)

Traralgon.—Erection of concrete post and wire fencing, Hobson Park Hospital. (W.O., Traralgon.)

Werribee.—Connexion to main sewer, Police Station and residence. (Amended Specification.) (W.O., Geelong; P.S., Werribee.)

Yarraville West.—External renovations, S.S. 2832.

Yarraville West.—Renewal of water supply, repairs to toilets, S.S. 2832.

Furniture and Furnishings.

Collingwood.—Supply and lay lino tiles and rubber tiles, Court House.

Melbourne.—Supply of tubular steel examination tables, Police Depot, St. Kilda-road.

Site Works.

Glenroy.—Asphalt repairs and associated works, High School.

Greythorn.—Construction of retaining walls, asphalt and concrete paving, fencing and general beautification work, S.S. 4694.

Mont Park.—Supply and delivery of 200 cubic yards of garden loam, Gresswell Sanatorium.

Miscellaneous.

Ballarat.—Supply of kiln dried hardwood flooring, Mental Hospital.
 Beechworth.—Supply and delivery of granulated gravel, sand and concrete gravel, Mental Hospital. (W.O., Wangaratta; Mental Hospital, Beechworth.)
 Mont Park.—Supply and delivery of cafeteria equipment, Larundel Mental Hospital.
 Mont Park.—Supply and delivery of mincing machine for main kitchen, Larundel Mental Hospital.
 Plenty.—Supply and delivery of 45-60 lb. capacity potato peeler, Mental Hospital.
 Sunbury.—Supply of one electrically heated hot press, Mental Hospital.

Wednesday, 4th November, 1964.

Building, Electrical and Mechanical Works.

Apollo Bay.—Internal and external repairs and painting, Consolidated School residence. (W.O., Camperdown; C.S., Apollo Bay.)
 Bahgallah.—Renovations and painting, S.S. 1586 and residence. (W.O., Hamilton; S.S., Bahgallah.)
 Ballarat.—General renovations to residence, 25 Sweeney-street, Mines Department. (W.O., Ballarat.)
 Balwyn.—External renovations and painting, S.S. 4638.
 Caulfield North.—Additional toilet accommodation, S.S. 3820.
 Everton.—General repairs and painting to school, shelter pavilion, new drainage—residence, S.S. 2031. (W.O., Wangaratta; S.S., Everton.)
 Glenthompson.—Erection of a timber office, Lands and Survey Department. (W.O., Hamilton.)
 Greta West.—Repairs and painting to S.S. 2573 and residence. (W.O., Benalla; S.S., Greta West.)
 Horsham.—Repairs and painting residence, 1 Wallis-street, High School. (W.O., Horsham.)
 Illowa.—Repairs and painting, S.S. 690; and residence. (W.O., Warrnambool; S.S., Illowa.)
 Kaniva.—Installation of 15,000 gallon underground tank, drains, &c., High School. (W.O., Horsham; C.S., Kaniva.)
 Kerang.—Renovations to residence, 14 Albert-street, Police Station. (W.O., Swan Hill; P.S., Kerang.)
 Kew.—Thermal insulation of ceiling area to two wards, Children's Cottages, Training Centre.
 Leongatha.—Electrical installation in additional eight (8) L.T.C. class-rooms, &c., S.S. 2981. (W.O., Korumburra and Traralgon; S.S., Leongatha.)
 Lyndhurst.—Erection of shelter pavilion, S.S., 732. (S.S., Lyndhurst.)
 Melbourne.—Internal repairs and painting Building No. 8, Patternmaking shop, Royal Melbourne Institute of Technology.
 Moe.—Internal and external repairs and painting, S.S. 2142. (W.O., Traralgon; S.S., Moe.)
 Neerim.—Renovations and repairs to fire damage, residence, S.S. 2666. (W.O., Warragul; S.S., Neerim.)

North Fitzroy.—Additional bedroom to Cleaner's residence, S.S. 1490.
 Numurkah.—Additional toilet accommodation and renovations, High School. (W.O., Shepparton.)
 Oak Park.—Connexion to sewer, High School. (H.S., Oak Park.)
 Reservoir East.—Renovations and painting, S.S. 4686.
 Reservoir East.—Fencing, S.S. 4686.
 Sale.—Renovations to residence, Department of Labour and Industry. (W.O. Traralgon; P.S., Sale.)
 Tallangatta.—Diversion of sewer drain, High School. (W.O., Wangaratta.)
 Tandarook.—Painting and repairs, S.S. 3421 and residence. (W.O., Camperdown and Warrnambool; S.S., Tandarook.)
 Wharparilla West.—Renovations and painting, S.S. 1537 and residence. (W.O., Bendigo; S.S., Wharparilla West.)
 Yannathan.—New shelter pavilion, repairs and painting, S.S. 2422. (S.S., Yannathan.)

Furniture and Furnishings.

Sunbury.—Supply of 1,500 lineal yards of curtain material; Mental Hospital.

Site Works.

Lavers Hill.—Patching and resealing existing asphalt areas and associated works, Consolidated School. (W.O., Camperdown and Geelong; C.S., Lavers Hill.)
 Merino.—Asphalt repairs, resealing and concrete works, Consolidated School. (W.O. Hamilton and Warrnambool; C.S., Merino.)
 Port Fairy.—Asphalt and concrete paving, asphalt repairs, drainage and associated works, Consolidated School. (W.O., Warrnambool; C.S., Port Fairy.)
 Ripple Vale.—Concrete paving, S.S. 4125. (W.O., Camperdown and Geelong; S.S., Ripple Vale.)
 Sunbury.—Provision of cut-off drains adjacent to internal roads, High School. (H.S., Sunbury.)
 Swan Hill.—Provision of asphalt areas, drainage and associated works, Technical School. (W.O., Bendigo and Swan Hill.)
 Terang.—Patching and resealing tennis and basketball courts, High School. (W.O., Camperdown and Warrnambool; H.S., Terang.)

Miscellaneous.

Cooriemungle.—Supply and delivery of one 50-brake h.p. diesel engine, pneumatic tired tractor, Prison Farm. (W.O., Camperdown.)
 Mont Park.—Supply and delivery of 160 square yards of floor tiles, Larundel Mental Hospital.

M. V. PORTER,
 Commissioner of Public Works:

Public Works Department,
 Melbourne, C.2, 12th October, 1964.

PUBLIC SERVICE NOTICES

PUBLIC SERVICE (PUBLIC SERVICE BOARD) REGULATION 52.—VACANCY:

THE Permanent Head of the Department shown has recommended the officer named hereunder for appointment to the under-mentioned vacancy.

Office and Classification.	Duties.	Qualifications.	Officer Recommended for Appointment.		
			Name	Classification.	Date of Classification.
PROFESSIONAL DIVISION.					
LAW DEPARTMENT.					
<i>Office of Titles.</i>					
Registrar-General and Registrar of Titles, Class "A1" (£4,625)	To perform the duties of the office	A barrister and solicitor with adequate conveyancing experience and a good knowledge of the work of the Office of Titles and Registrar-General's Office	Allen, C. P.	Chief Examiner of Titles, Class "A1" (£3,635)	4.9.61

Appeals against such recommendation should be lodged with the Secretary to the Public Service Board not later than Saturday, the 24th October, 1964.

Office of the Public Service Board,
 Melbourne, 13th October, 1964.

By order,
 V. P. SCULLY,
 Secretary.

PUBLIC SERVICE OF VICTORIA.—RECLASSIFICATIONS.

THE Public Service Board has raised the classification of the under-mentioned offices as shown, and appointed thereto the respective officers named hereunder.

Office and Former Classification.	Revised Classification.	Duties.	Qualifications.	Officer Appointed.
ADMINISTRATIVE DIVISION.				
TREASURY.				
<i>Office of the Housing Commission.</i>				
Class "C1"	Class "C2"	To be responsible to the House Sales Accountant for effecting adjustments between estimated and actual costs of units, and preparing the necessary Commonwealth schedules; compiling or checking financial statements in connexion with settlements, assignments, death benefit transfers and mortgages and cancellations	Preferably to be conversant with financial sections of the Housing Act and application of Death Benefit Regulations	Burmeister, R. A.
PROFESSIONAL DIVISION.				
STATE FORESTS DEPARTMENT.				
Silvicultural Research Officer, Class "B1"	Chief Silvicultural Research Officer, Class "A"	Under direction to plan, undertake and supervise silvicultural research and matters relating thereto	A Science degree in Forestry, considerable experience in silvicultural research and aptitude for the work	Grose, R. J.
TECHNICAL AND GENERAL DIVISION.				
DEPARTMENT OF CROWN LANDS AND SURVEY.				
Photographic Assistant (Female), Grade I., Grades F8-F14 inclusive (2 positions)	Photographic Assistant (Female), Grade II., Grade F15	To assist in the Photographic Laboratory and prepare enlargements and contact prints	Experience in the preparation, washing, glazing and drying of prints and enlargements	Jacob, Wilma J. Buck, Margaret A.

Office of the Public Service Board,
Melbourne, 13th October, 1964.

By order,
V. P. SCULLY,
Secretary.

PUBLIC SERVICE OF VICTORIA.—VACANCIES.

APPLICATIONS will be received by the Public Service Board up to Wednesday, the 28th October, 1964, from persons employed in the Public Service of Victoria, who are eligible and qualified for appointment to the under-mentioned positions.

ADMINISTRATIVE DIVISION.

Class "B1", Mental Hygiene Branch, Department of Health.

Yearly Salary.—£2,293, minimum; £2,443, maximum.

Duties.—To be personnel officer of the Mental Hygiene Branch, and to control the staff section; to prepare data for the Mental Health Authority in relation to staff requirements in the Branch; to interview and report on applicants for employment and to deal with staff correspondence.

Qualifications.—A good knowledge of the Public Service Acts and Regulations and the Superannuation Acts; preferably experience in staff matters. A knowledge of the staff requirements of the Mental Hygiene Branch would be an advantage.

Class "C1", Hopetoun Centre, Water Supply Department.

Yearly Salary.—£1,558, minimum; £1,668, maximum.

Duties.—District Accounting Officer.

Qualifications.—A knowledge of the Water Acts and of the incidence of rating, and experience in rate collecting; ability to conduct negotiations and correspondence and to represent the Commission in proceedings for recovery of rates; experience in stores accounting and control, payroll and cost procedures and in office management.

NOTE.—The successful applicant will be required to occupy the official residence provided and vacation of the residence will not be permitted without the express approval of the Water Supply Department. A rental of 10 per cent. of total emolument inclusive of the amount payable under Regulation 74, less £36 6s. a year will be

charged. Occupancy will be subject to a formal tenancy agreement being entered into. Particulars are available from the Water Supply Department.

Class "C", Office of Titles, Law Department.

Yearly Salary.—£1,283, minimum; £1,448, maximum.

Duties.—To check endorsements on all dealings registrable without new titles issuing thereon; to certify that all requisitions and submissions have been dealt with and documents are in order.

Qualifications.—A good knowledge of the Transfer of Land Act and cognate Acts and of the practice of the Office of Titles and of essential endorsements.

Class "C", Office of the Housing Commission, Treasury.

Yearly Salary.—£1,283, minimum; £1,448, maximum.

Duties.—To assist with the collation of statistical information, and the preparation of reports and schedules relating to Housing Commission operations.

Qualifications.—Preferably experience in the compilation of statistics; a knowledge of the Housing Act and of Housing Commission operations is desirable.

PROFESSIONAL DIVISION:

Curator of Vertebrates, Classes "B"—"B1", National Museum, Chief Secretary's Department.

Yearly Salary.—£2,028, minimum; £2,443, maximum.

Duties.—To be Curator of specific vertebrate collections (excluding Birds), and to be responsible for their care and exhibition; to conduct research on specified fields relating to the vertebrates, including field work; to undertake other museum duties as directed.

Qualifications.—An appropriate university degree, evidence of wide research experience in vertebrate zoology appropriate to the activities of the National Museum, and ability to design museum exhibits.

Assistant Research Officer, Swan Hill Centre, Classes "C"—"C2", Water Supply Department.

Yearly Emolument.—£1,613, minimum; £2,293, maximum.

(Commencing salary will be determined according to experience.)

Duties.—Under the direction of the Chief Irrigation Officer to carry out investigations into drainage and water use problems in the Swan Hill District. To instruct and advise irrigators in these subjects.

Qualifications.—A University degree in Agricultural Science, with a particular interest and ability in irrigation problems and advisory activities.

Assistant Research Officer (Male or Female), Classes "C"—"C2", Water Supply Department.

Yearly Emolument—

Agricultural Science.

Male—£1,613, minimum; £2,293, maximum.
Female—£1,426, minimum; £2,106, maximum.

Science.

Male—£1,448, minimum; £2,293, maximum.
Female—£1,261, minimum; £2,106, maximum.

Diploma in Science.

Male—£1,393, minimum; £2,293, maximum.
Female—£1,226, minimum; £2,106, maximum.

(Commencing salary will be determined according to qualifications and experience.)

Duties.—To carry out biological and chemical examinations of water including microscopic examination for algae and other growths and to undertake research into methods for their control.

Qualifications.—A degree or diploma in Science or a degree in Agricultural Science with some practical experience in bacteriological work. Able to plan a programme for the conduct of such work and to control a small staff.

TECHNICAL AND GENERAL DIVISION.**Compositor, Foreman, Publications Room, Government Printing Office, Treasury.**

Yearly Salary.—£1,695.

Duties.—Under the direction of the Printing Overseer to take charge of a section of the Composing Branch and to maintain records; to carry out other duties as required.

Qualifications.—A good knowledge of the organization and operation of the Composing Branch; ability to control staff.

Draughting Assistant, Grade V., Office of the Housing Commission, Treasury.

Yearly Salary.—£1,539, minimum; £1,643, maximum.

Duties.—Under the direction of the chief Architect, to prepare preliminary drawings, contract plans, details, specifications, reports and estimates for the Commission's slum reclamation programme.

Qualifications.—A competent draughtsman with considerable experience in mass housing work.

Apprenticeship Supervisor, Apprenticeship Commission, Department of Labour and Industry.

Yearly Salary.—£1,435, minimum; £1,591, maximum.

Duties.—To visit places of employment and assist in the supervision of the employment of apprentices in accordance with the requirements of the Apprenticeship Act and Regulations; to report on the extent and nature of the practical experience obtained by apprentices; to assist generally with the promotion of apprenticeship; special duties as required.

Qualifications.—Approved, practical experience in the electrical trades and approved technical qualifications; capable of conducting investigations and drafting reports. Practical experience in the training of apprentices and some knowledge of industrial relations is desirable.

Works Inspector, Murtoa Centre, Water Supply Department.

Yearly Salary.—£1,259, minimum; £1,331, maximum.

Duties.—Under the District Engineer to supervise the regulation of supplies of water to domestic and stock districts and to urban districts; to control Rangers and bodies of men in the distribution of water and maintenance of channels and in the repair and maintenance of pipes supplying urban districts; to keep records.

Qualifications.—To be conversant with the channel system in the Centre and capable of regulating water and supervising Rangers; to understand and control mechanical plant engaged on channel maintenance; a knowledge of earth and concrete works; competent to measure up piecework and perform clerical work involved.

Assistant (Male), Grade III., State Forests Department.

Yearly Salary.—£1,187, minimum; £1,223, maximum.

Duties.—To assist the officer in charge of the Correspondence Section, to register correspondence, to act as post examiner and conduct file audits.

Qualifications.—Preferably experience in a correspondence section; a knowledge of the operation of ink and spirit duplicating machines would be an advantage; ability to control staff.

NOTE.—To be eligible to apply for this position, temporary employees or officers of the Technical and General Division other than Assistant (Male), must have passed the Board's examination for registration for appointment as Assistant (Male), Grade I., Technical and General Division.

Reservoir Keeper, Grade I., Devilbend Reservoir, Water Supply Department.

Yearly Salary.—£1,061, minimum; £1,151, maximum.

Duties.—To be responsible for the operation and maintenance of Devilbend and Bittern Reservoirs, pumping station, catch drains and sections of main pipe-line, the establishment and care of ornamental plantations, and to carry out and care for other improvements as directed.

Qualifications.—Experience in the construction of works involving the use of concrete, earth and rock; physically capable of carrying out this class of work and competent to supervise labour, keep records and make reports.

NOTE.—The successful applicant will be required to occupy the official residence provided and vacation of the residence will not be permitted without the express approval of the Water Supply Department. A rental of 10 per cent. of total emolument inclusive of the amount payable under Regulation 74, less £36 6s. a year will be charged. Occupancy will be subject to a formal tenancy agreement being entered into. Particulars are available from the Water Supply Department.

NOTE.—The salary rates quoted above do not include the additional amount which is payable under Regulation 74 of the Board's Regulations.

By order,

V. P. SCULLY,

Secretary.

Office of the Public Service Board,
Melbourne, 13th October, 1964.

**PUBLIC SERVICE OF VICTORIA.—VACANCIES.
DEPARTMENT OF HEALTH.
MENTAL HYGIENE BRANCH.**

TECHNICAL AND GENERAL DIVISION.

A PPLICATIONS will be received by the Public Service Board up to Wednesday, 4th November, 1964, from persons employed in the Public Service of Victoria, who are eligible and qualified for appointment to the under-mentioned positions.

Assistant Head Nurse (Female), St. Nicholas Hospital, Carlton.

Yearly Salary.—£1,115, minimum; £1,187, maximum.

Duties.—To assist Head Nurse (Female) in management of the Hospital, and to prepare leave sheets and other records as directed.

Qualifications.—A current practising certificate for Mental Nursing. Ability to direct and control staff and patients and keep records.

NOTE.—Successful applicant may be required to work an eight-hour roster.

Cook (Male), Grade II., St. Nicholas Hospital, Carlton. (Two vacancies.)

Yearly Salary.—£1,079, minimum; £1,115, maximum.

Duties.—To be in charge of the kitchen and staff therein.

Qualifications.—A competent cook; with experience in large quantity preparation and cooking of foodstuffs and ability to control a staff of cooks.

Plumber, St. Nicholas Hospital, Carlton.

Yearly Salary.—£1,061, minimum; £1,115, maximum.
Duties.—To perform maintenance work on hot and cold water services, sewerage installations, roofing and spouting, &c.
Qualifications.—A registered plumber holding a M.M.B.W. Plumber's licence or equivalent.

Electrical Mechanic, St. Nicholas Hospital, Carlton.

Yearly Salary.—£1,061, minimum; £1,115, maximum.
Duties.—To maintain wiring and electrical equipment, to undertake minor electrical installations, and to assist the Engineer generally.
Qualifications.—“A” grade wiring licence of the State Electricity Commission, or a tradesman electrical fitter.

Cook (Male), Grade I., St. Nicholas Hospital, Carlton. (Two vacancies.)

Yearly Salary.—£1,025, minimum; £1,043, maximum.
Duties.—To assist in preparation, cooking and serving of meals for patients and staff, and in maintenance and cleanliness of kitchen.
Qualifications.—A knowledge of and experience in large quantity cooking.

Carpenter, Grade I., St. Nicholas Hospital, Carlton.

Yearly Salary.—£1,025.
Duties.—To assist in carpentering work.
Qualifications.—To be a qualified, competent, and experienced carpenter.

Painter, Grade I., St. Nicholas Hospital, Carlton.

Yearly Salary.—£1,025.
Duties.—To carry out general painting, paper-hanging, and glazing.
Qualifications.—A competent painter (conversant with mixing and using of paints), paper-hanger, and glazier.

Charge Nurse (Female), St. Nicholas Hospital, Carlton. (Four vacancies.)

Yearly Salary.—£953, minimum; £1,025, maximum.
Duties.—To take charge or sub-charge of a ward in a Mental Hospital.
Qualifications.—A current practising Certificate for Mental Nursing and experience as a Deputy Charge Nurse in a Mental Hospital.

NOTE.—Successful applicants may be required to work an eight-hour roster.

Fireman, St. Nicholas Hospital, Carlton. (Five vacancies.)

Yearly Salary.—£972, minimum; £1,007, maximum.
Duties.—To fire boilers and to assist Engineer.
Qualifications.—Boiler Attendant's Certificate or higher qualifications.

Farm Assistant, Ararat.

Yearly Salary.—£904, minimum; £972, maximum.
Duties.—To assist in all farm work.
Qualifications.—Ability to carry out all ordinary farm work and possession of a motor driver's licence.

Deputy Charge Nurse (Female), St. Nicholas Hospital, Carlton. (Ten vacancies.)

Yearly Salary.—£881, minimum; £917, maximum.
Duties.—To be second in charge of a ward.
Qualifications.—A current practising certificate for Mental Nursing and approved experience.

NOTE.—Successful applicants may be required to work an eight-hour roster.

Kitchenman, St. Nicholas Hospital, Carlton. (Two vacancies.)

Yearly Salary.—£904.
Duties.—To assist Cooks generally in preparation of vegetables and other foodstuffs. Attending to cleanliness of kitchen.
Qualifications.—Some knowledge of cooking is desirable.

Laundress, Grade I., St. Nicholas Hospital, Carlton.

Yearly Salary.—£776, minimum; £810, maximum.
Duties.—To be responsible for the efficient operation of the linen store and linen exchange and to keep records relating thereto.
Qualifications.—Ability to manage a linen store and linen exchange service and keep records.

Messroom Attendant, St. Nicholas Hospital, Carlton. (Two vacancies.)

Yearly Salary.—£742.
Duties.—To attend to Messroom, prepare tables, serve meals, clear and wash dishes and assist cook if required.
Qualifications.—Ability to carry out above duties, and an elementary knowledge of cooking.

The salary rates quoted above do not include the additional amount which is payable under Regulation 74 of the Board's Regulations.

By order,

V. P. SCULLY,
 Secretary.

Office of the Public Service Board,
 Melbourne, 13th October, 1964.

PUBLIC SERVICE OF VICTORIA.—VACANCY. (TEMPORARY APPOINTMENT.)

APPLICATIONS will be received by the Public Service Board up to Wednesday, the 28th October, 1964, from persons who are qualified for appointment to the under-mentioned position:—

Turncock, Frankston Centre (Berwick), Water Supply Department.

Yearly Salary.—£972, minimum; £1,007, maximum.
Duties.—To assist in the maintenance of main trunk mains, aqueduct, treatment plant (including chlorination unit), repairing, tapping and flushing of mains, and the operation of valves; to install, maintain and read meters, to maintain and operate service basins and attend pumping units as required; to undertake other work associated with the general maintenance of the reticulation system in the area.
Qualifications.—A knowledge of the working of township water supply reticulation systems; competent to lay and joint various classes of pipes; capable of tapping mains and supervising the installation of house services and of servicing small pumping units; licensed to drive a motor vehicle.

NOTE.—The successful applicant will be required to occupy the official residence provided, and vacation of the residence will not be permitted without the express approval of the Water Supply Department. A rental of 10 per cent. of total emolument inclusive of the amount payable under Regulation 74, less £36 6s. a year will be charged. Occupancy will be subject to a formal tenancy agreement being entered into. Particulars are available from the Water Supply Department.

By order,

V. P. SCULLY,
 Secretary.

Office of the Public Service Board,
 Melbourne, 13th October, 1964.

PUBLIC SERVICE EXAMINATION.

TECHNICAL AND GENERAL DIVISION EXAMINATION.

AT the examination held on the 12th September, 1964, the under-mentioned officers and employees qualified for registration as candidates for appointment as Assistant (Male), Grade I.—

Order of Merit.	Name.
1	Baptist, Dodwell Edward
2	Orr, Graham Philip
3	McPherson, Alec Franklin
4	Reed, Albert Alfred
5	Waugh, Robert Stanley
6	Ewing, Daniel
7	Magill, Alexander Francis
8	Hayes, Richard
9	Murai, Anthony
10	Henley, Harold Edwin
11	Jago, Donald Edward
12	O'Shea, Kevin
13	Bowden, Philip Aloysius
14	Jancso, Elemer Gergely
15	Aldred, Raymond Michael
16	MacFarlane, David John Hosken
17	Ennis, Claude Theastar
18	Iverach, Edward Greenham
19	Pirotta, Charles Joseph-Carmel Dominic
20	Kane, Terence John
21	Petrie, James-Alexander

Order of Merit.	Name.
22 ..	Boucher, Percy William
23 ..	LaVale, Richard Gerald Tice
24 ..	Crowle, Joseph Gerard
25 ..	O'Shannessy, Joseph Edward
26 ..	Bush, Phillip
27 ..	Brown, David John
28 ..	Hasler, Kenneth Chesney
29 ..	Smith, Albert Joseph
30 ..	Hearn, George Alfred
31 ..	Byrne, David Ian
32 ..	Abela, Anthony Carmel
33 ..	Titter, Ralph Oswald
34 ..	Iliopoulos, Nikolaus
35 ..	O'Hara, Rex Warren
36 ..	Katona, Peter
37 ..	O'Donnell, Vincent Joseph.

By order,
V. P. SCULLY,
Secretary.

Office of the Public Service Board,
Melbourne, 13th October, 1964.

PRIVATE ADVERTISEMENTS

CITY OF COBURG.

LOAN No. 92.

Notice of Intention to Borrow the Sum of £25,000 for Permanent Works and Undertakings.

NOTICE is hereby given that the Council of the City of Coburg proposes to borrow the principal sum of Twenty-five thousand pounds on the credit of the municipal revenues of the Mayor, Councillors and Citizens of the said City, such sum to be raised by the grant of a mortgage in accordance with the provisions of the *Local Government Act 1958*.

1. The maximum rate of interest that may be paid is £5 7s. 6d. per centum per annum.

2. The purpose for which the loan is to be applied is—
Road and drainage works in Sydney-road and Derby-street .. £25,000

3. The period of the loan shall be ten years.

4. The moneys borrowed shall be repayable by providing out of the municipal fund twenty half-yearly instalments of approximately £1,632 4s. 6d. each, including principal and interest, on the 1st day of January and the 1st day of July, during the currency of the loan. The first instalment shall be payable on the 1st day of July, 1965.

5. Such moneys shall be repayable to the Commissioners of the State Savings Bank of Victoria at the office of the said Commissioners, 139-165 Elizabeth-street, Melbourne.

The plans and specifications and the estimate of the cost of the proposed works and a statement showing the proposed expenditure of the moneys to be borrowed are open for inspection at the office of the Council of the City of Coburg at Town Hall, Coburg.

Dated the 7th October, 1964.

2955 G. A. BRIDGES, Town Clerk.

CITY OF ESSENDON.

LOAN No. 55.

Notice of Intention to Borrow the Sum of £50,000 for Permanent Works and Undertakings.

NOTICE is hereby given that the Council of the City of Essendon proposes to borrow the sum of Fifty thousand pounds on the credit of the municipal revenues of the Mayor, Councillors and Citizens of the said City, such sum to be raised by the grant of a mortgage in accordance with the provisions of the *Local Government Act 1958*.

1. The maximum rate of interest that may be paid is 5½ per cent per annum.

2. The purpose for which the loan is to be applied is—
Capital Expenditure—Library .. £24,800
Pavilions &c. in Parks .. 18,700
Ramp—Moonee Ponds Railway Station .. 6,500
.. £50,000

3. The period of the loan shall be fifteen years.

4. The moneys borrowed shall be repayable by providing out of the municipal fund thirty equal half-yearly instalments of £2,469 4s. 6d. each, including principal and interest, on the 1st day of July and the 1st day of January during the currency of the loan. The first instalment shall be payable on the 1st day of July, 1965.

5. Such moneys shall be repayable at the Commonwealth Savings Bank of Australia, Melbourne.

The plans and specifications and the estimate of the cost of the proposed works and a statement showing the proposed expenditure of the moneys to be borrowed are open for inspection at the Town Hall, Moonee Ponds, during office hours.

Dated 6th October, 1964.

2932 K. LISTER, Town Clerk.

CITY OF ESSENDON.

LOAN No. 54.

Notice of Intention to Borrow the Sum of £25,000 for Permanent Works and Undertakings.

NOTICE is hereby given that the Council of the City of Essendon proposes to borrow the principal sum of Twenty-five thousand pounds on the credit of the municipal revenues of the Mayor, Councillors and Citizens of the said City, such sum to be raised by the grant of a mortgage in accordance with the provisions of the *Local Government Act 1958*.

1. The maximum rate of interest that may be paid is £5 7s. 6d. per cent. per annum.

2. The purpose for which the loan is to be applied is capital expenditure—Library.

3. The period of the loan shall be ten years.

4. The moneys borrowed shall be repayable by providing out of the municipal fund twenty half-yearly instalments of approximately £1,632 each, including principal and interest, on the 1st day of July and the 1st day of January, during the currency of the loan. The first instalment shall be payable on the 1st day of July, 1965.

5. Such moneys shall be repayable to the Commissioners of the State Savings Bank of Victoria, at the office of the said Commissioners, 139-165 Elizabeth-street, Melbourne.

The plans and specifications and the estimate of the cost of the proposed works and a statement showing the proposed expenditure of the moneys to be borrowed are open for inspection at the office of the Council of the City of Essendon, Victoria, at the Town Hall, Moonee Ponds.

Dated 30th September, 1964.

2933 K. LISTER, Town Clerk.

CITY OF KEILOR.

BY-LAW No. 57.

A By-law of the City of Keilor, made under the provisions of the *Health Act 1958*, and numbered 57, for the purpose of amending By-law No. 19.

IN pursuance of the powers conferred by the provisions of the *Health Act 1958*, and by every other Act or power thereunto enabling it in that behalf, the Mayor, Councillors and Citizens of the City of Keilor doth order as follows:—

1. That By-law No. 19 be amended to the extent of deleting therefrom clause 3 thereof and substituting therefor a new clause as under:—

“Clause 3.—This By-law shall apply to and have operation throughout the whole of the Municipal District, and unless exempted by the Council shall apply to every house, building and premises therein.”

2. This By-law shall be read and construed as one with By-law No. 19 of the said municipality.

3. This By-law shall come into operation and have effect immediately on its publication in the *Victoria Government Gazette*.

Resolution for passing this By-law was agreed to by the Council of the City of Keilor on the 5th day of May, 1964, and confirmed on the 2nd day of June, 1964.

The Corporate Seal of the Council of the City of Keilor was hereunto affixed in pursuance of an Order of the said Council made on the 2nd day of June, 1964, in the presence of—

(SEAL) R. G. RATCLIFF, Mayor.
ROBERT HUART, Councillor.
N. A. WOODS, Town Clerk.

Submitted to the Commission of Public Health on the 21st day of July, 1964—A. T. GARDNER, Secretary to the Commission.

Approved by the Governor in Council, 15th September, 1964.—J. COLQUHOUN, Clerk of the Executive Council. 2957

CITY OF MOORABBIN.

BY-LAW NO. 265.

A By-law of the City of Moorabbin, made under the Local Government Acts and the Dog Acts, and numbered 265, for fixing registration and other fees payable under the Dog Acts.

IN pursuance of the powers conferred by the Local Government Acts and the Dog Acts, and of any and every other power it thereunto enabling, the Council of the City of Moorabbin orders as follows:—

1. By-law No. 255 of the City of Moorabbin is hereby repealed.

2. The following fees and sums are hereby fixed under the provisions of the Dog Acts:—

	£	s.	d.
(a) For registration of a dog, pursuant to section 6 of the Dog Act 1958, as amended by any Act	0	7	6
(b) For particulars of any registered dog or for the name of the registered owner thereof or for a certified copy of the receipt mentioned in section 11 of the Dog Act 1958, as amended by any Act	0	2	6
(c) The sum payable to the registration officer, pursuant to section 15 of the Dog Act 1958, as amended by any Act	2	0	0
(d) The sum payable to the registration officer, pursuant to section 16 of the Dog Act 1958, as amended by any Act	2	0	0

This By-law shall apply to and have operation throughout the whole of the municipal district of the City of Moorabbin.

Resolution for passing this By-law agreed to by the Council on the 7th day of September, 1964, and confirmed on the 5th day of October, 1964.

The common seal of the Mayor, Councillors and Citizens of the City of Moorabbin was hereunto affixed this 5th day of October, 1964, in pursuance of a Resolution of the Council, and in the presence of—

(SEAL) DAVID H. BLACKBURN, Mayor.
L. R. COATES, Councillor.
V. A. SMITH, Town Clerk.

2918

Town and Country Planning Acts.

CITY OF MOORABBIN.—THE CITY OF MOORABBIN PLANNING SCHEME 1952.

NOTICE THAT A PLANNING SCHEME TO AMEND THE CITY OF MOORABBIN PLANNING SCHEME HAS BEEN PREPARED AND IS AVAILABLE FOR INSPECTION.

Amendment No. 16, 1964.

NOTICE is hereby given that the Council of the City of Moorabbin, in pursuance of its powers under the Town and Country Planning Acts, has prepared a Planning Scheme for that portion of the City of Moorabbin as defined by the grey border on the map comprising the First Schedule to the City of Moorabbin Planning Scheme 1952, for the purpose of zoning and regulating buildings and other works.

A copy of the scheme has been deposited at the Municipal Offices, Nepean Highway, Moorabbin, and at the office of the Town and Country Planning Board, 61 Spring-street, Melbourne, and will be open for inspection during office hours by any person, free of charge.

Any persons affected by the Planning Scheme are required to set forth, in writing, all objections they may have, addressed to the Town Clerk, Moorabbin City Council, P.O. Box No. 21, Moorabbin, S.20, on or before the 16th day of November, 1964, and to state whether they wish to be heard in respect of their objections.

Dated this 9th day of October, 1964.
2925 V. A. SMITH, Town Clerk.

Town and Country Planning Acts.

CITY OF MOORABBIN.—THE CITY OF MOORABBIN PLANNING SCHEME, SECTION 1.

NOTICE THAT A PLANNING SCHEME TO AMEND THE CITY OF MOORABBIN PLANNING SCHEME, SECTION 1, HAS BEEN PREPARED AND IS AVAILABLE FOR INSPECTION.

Amendment No. 11, 1964.

NOTICE is hereby given that the Council of the City of Moorabbin, in pursuance of its powers under the Town and Country Planning Acts, has prepared a

Planning Scheme for that portion of the City of Moorabbin as defined on the maps comprising the First Schedule to the City of Moorabbin Planning Scheme, Section 1, for the purpose of zoning and regulating buildings and other works.

A copy of the scheme has been deposited at the Municipal Offices, Nepean Highway, Moorabbin, and at the office of the Town and Country Planning Board, 61 Spring-street, Melbourne, and will be open for inspection during office hours by any person, free of charge.

Any persons affected by the Planning Scheme are required to set forth, in writing, all objections they may have, addressed to the Town Clerk, Moorabbin City Council, P.O. Box No. 21, Moorabbin, S.20, on or before the 16th day of November, 1964, and to state whether they wish to be heard in respect of their objections.

Dated this 9th day of October, 1964.
2926 V. A. SMITH, Town Clerk.

CITY OF MOORABBIN.

LOAN NO. 140.

Notice of Intention to Borrow.

NOTICE is hereby given that the Council of the City of Moorabbin intends to borrow Ten thousand pounds (£10,000) on the credit of the Mayor, Councillors and Citizens of the said City by the grant of a mortgage in accordance with the provisions of the Local Government Acts.

In connexion therewith the following information is stated:—

1. The amount of the principal moneys which it is proposed to borrow is Ten thousand pounds (£10,000).

2. The maximum rate of interest that may be paid is £5 7s. 6d. (Five pounds seven shillings and sixpence) per centum per annum.

3. The times which the moneys borrowed are to be repayable are the 23rd day of June and the 23rd day of December during the years 1965 to 1974 inclusive, the first payment to be made on the 23rd day of June, 1965, and the final payment on the 23rd day of December, 1974, and that the place such moneys shall be repayable is at the Bank of New South Wales, Moorabbin.

4. The purpose for which the loan is to be applied is—

Construction of roads	£2,900
Erection of kindergarten	2,000
Purchase of land for recreational purposes	2,400
Construction of drains	1,500
Construction of parking areas	1,200

£10,000

5. The manner in which the loan is to be liquidated is by provision out of the municipal fund in each half-year during the currency of the loan of the sum of Six hundred and fifty-two pounds seventeen shillings and nine pence (£652 17s. 9d.), which includes principal and interest.

The plans and specifications and the estimate of the cost of the proposed works and a statement showing the proposed expenditure of the moneys to be borrowed are open for inspection at the Town Hall, Nepean Highway, Moorabbin, during office hours.

Dated this 12th day of October, 1964.
2954 V. A. SMITH, Town Clerk.

No. 860

CITY OF NUNAWADING.

WHEREAS the Council of the City of Nunawading deems it expedient to exercise its power of taking compulsorily the land described in the Schedule at the foot hereof for the work or undertaking of providing a comfort station: And whereas the Council has caused to be prepared a map and other papers setting out the general description of the work or undertaking for which the land proposed to be taken is to be used, the description of the land proposed to be taken, and the names of the owners, or reputed owners, lessees, or reputed lessees, mortgages and occupiers of the land so far as those names are known to or can be ascertained by the Council: And whereas the said map and other papers are deposited at the office of the said Council at Nunawading and are and shall be open for inspection by all persons interested at all reasonable hours for the space of 40 clear days after the publication of this notice in the *Government Gazette*: Now notice is hereby given to all persons affected by the proposed taking of the said land to set forth, in writing, addressed to the Council or the Town Clerk

within 40 clear days of the publication of this notice in the *Government Gazette*, all objections which they may have to the taking of the said land.

SCHEDULE HEREINBEFORE REFERRED TO.

All that piece of land being part of Crown portion 94, Parish of Nunawading, County of Bourke, and being part of the land described as Parking and Sewerage Reserve on plan of subdivision 50918, lodged in the Office of Titles, Melbourne, and being the whole of the land contained within a boundary line commencing at a point on the south alignment of a road distant 13 feet east of the east boundary of allotment 75 on the said plan of subdivision; thence on a bearing of 90 deg. for a distance of 30 feet; thence on a bearing of 180 deg. for a distance of 49 ft. 6 in.; thence on a bearing of 270 deg. for a distance of 30 feet; thence on a bearing of 0 deg. for a distance of 49 ft. 6 in. to the point of commencement.

Dated the 9th day of October, 1964.

By order of the Council,

2949 A. ROY CHARLESWORTH, Town Clerk.

CITY OF OAKLEIGH.

LOAN No. 92.

Notice of Intention to Borrow the Sum of £25,000 for Permanent Works and Undertakings.

NOTICE is hereby given that the Council of the City of Oakleigh proposes to borrow the sum of Twenty-five thousand pounds on the credit of the municipal revenues of the Mayor, Councillors and Citizens of the said City, such sum to be raised by the grant of a mortgage, in accordance with the provisions of the *Local Government Act 1958*.

1. The maximum rate of interest that may be paid is £5 10s. per cent. per annum.

2. The purpose for which the loan is to be applied is—

- (a) Drainage works and road reconstruction £11,250
- (b) Diving pool (part cost) 10,000
- (c) Purchase of lands 3,750

£25,000

3. The currency of the loan shall be fifteen years.

4. The moneys borrowed shall be liquidated by the payment of 30 half-yearly instalments of approximately £1,234 12s. 2d. each, including principal and interest, on the 1st day of July and the 1st day of January during the years 1965-80 inclusive. The first instalment shall be payable on the 1st day of July, 1965.

5. The place that the moneys shall be repayable at is the Bank of New South Wales, Clayton.

The plans and specifications and the estimate of the cost of the proposed works, and a statement showing the proposed expenditure of the moneys to be borrowed, are open for inspection at the municipal offices, Atherton-road, Oakleigh.

2927 A. E. RAVEN, Town Clerk.

CITY OF RINGWOOD.

ORDER CHANGING NAME OF STREETS.

NOTICE is hereby given that at a meeting of the Council of the City of Ringwood, held on the 8th October, 1964, the said Council, in pursuance of the provisions of the *Local Government Act 1958*, did make an Order—

(a) That the name of the street, heretofore known as portion of Pratt-street, running in a westerly direction from Pratt-street to connect with Warrandyte-road, Ringwood, be now known as: Aird-street.

(b) That the name of the street, heretofore known as portion of Sunbeam-avenue, running in a south-easterly direction from Sunbeam-avenue to connect with Mount Dandenong-road, Ringwood East, be now known as: Oke-street.

F. P. DWERRYHOUSE, Town Clerk.

Town Hall, Ringwood, 12th October, 1964. 2997

CITY OF RINGWOOD.

ORDER CHANGING NAME OF STREETS.

NOTICE is hereby given that at a meeting of the Council of the City of Ringwood, held on the 8th October, 1964, the said Council, in pursuance of the provisions of the *Local Government Act 1958*, did make an Order—

(a) That the name of the street, heretofore not named, which is situate and runs between and connects Panorama-avenue and Avalon-grove, Ringwood, be now known as: The Ridge.

(b) That the portion of road heretofore known as Hygeia-parade running in a southerly direction from Montalbo-road to connect with Loughnan-road be now known as: Timbertop-road.

F. P. DWERRYHOUSE, Town Clerk.

Town Hall, Ringwood, 12th October, 1964. 2998

CITY OF RINGWOOD.

LOAN No. 60.

Notice of Intention to Borrow the Sum of £20,000 for Permanent Works and Undertakings.

NOTICE is hereby given that the Council of the City of Ringwood proposes to borrow the principal sum of £20,000 (Twenty thousand pounds) on the credit of the municipal revenues of the Mayor, Councillors and Citizens of the said City, such sum to be raised by the grant of a mortgage, in accordance with the provisions of the *Local Government Act 1958*.

1. The maximum rate of interest that may be paid is £5 7s. 6d. per centum per annum.

2. The purpose for which the loan is to be applied is—

(a) Drainage—

- Balance Glenvale-road culverts.
- Balance Main Drain Rosedale-crescent.
- Rangeview-grove.
- Mt. Dandenong-road, Velma-grove to Old Lilydale-road.
- Mt. Dandenong-road, reconstruction Maroondah Highway to Federal-road.
- Wantirna-road, Maroondah Highway to City-road.
- Bedford-road / Greenwood-avenue inter-section.
- North end Linden-road.
- Jubilee Park.
- Everard-road/Kemp-street.

£11,500

(b) Construction of Kerb and Channelling—

- Maroondah Highway, north side, Oliver-street to Oban-road.
- Maroondah Highway, south side, Mt. Dandenong-road to Old Lilydale-road.
- Wantirna-road, Maroondah Highway to City-road, both sides.
- Eastfield-road, south side, Mt. Dandenong-road to railway line.
- Heatherdale-road, east side, Crosswell-street south.

8,500

Total £20,000

3. The period of the loan shall be ten years.

4. The moneys borrowed shall be repayable by providing out of the municipal fund twenty half-yearly instalments of approximately £1,305 15s. 6d. each, including principal and interest, on the 1st day of March and September in each year during the currency of the loan. The first instalment shall be payable on the 1st day of September, 1965.

5. Such moneys shall be repayable to the Commissioners of the State Savings Bank of Victoria at the office of the said Commissioners, 139-165 Elizabeth-street, Melbourne.

The plans and specifications and the estimate of the cost of the proposed works and a statement showing the proposed expenditure of the moneys to be borrowed are open for inspection at the office of the Council of the City of Ringwood, Maroondah Highway, Ringwood.

F. P. DWERRYHOUSE, Town Clerk.

9th October, 1964. 2999

CITY OF RINGWOOD.

LOAN No. 61.

Notice of Intention to Borrow the Sum of £16,700 for Permanent Works and Undertakings.

NOTICE is hereby given that the Council of the City of Ringwood proposes to borrow the principal sum of £16,700 (Sixteen thousand seven hundred pounds) on the credit of the municipal revenues of the Mayor, Councillors and Citizens of the said City, such sum to be raised by the grant of a mortgage, in accordance with the provisions of the *Local Government Act 1958*.

1. The maximum rate of interest that may be paid is £5 7s. 6d. per centum per annum.

2. The purpose for which the loan is to be applied is—

(a) Footpaths—

- Wantirna-road west side, Maroondah Highway to Arlington-street.
- Wantirna-road east side, Maroondah Highway to Haig-street.
- Mt. Dandenong-road south side, Federal-road to Maroondah Highway.
- Maroondah Highway north side, Bardia-street to Junction-street.
- Maroondah Highway south side, Heatherdale-road to existing footpath.
- Eastfield-road south side, Mt. Dandenong-road to railway line.

£4,000

(b) Council Contribution—

- Wantirna-road, Railway bridge.
- Wantirna-road reconstruction, City-road to Maroondah Highway.
- Reconstruction Loughnan-road—Ceilterre-avenue to Glenvale-road.

£12,700

Total £16,700

- 3. The period of the loan shall be ten years.
- 4. The moneys borrowed shall be repayable by providing out of the municipal fund twenty half-yearly instalments of approximately £1,090 each, including principal and interest, on the 12th day of February and August in each year during the currency of the loan. The first instalment shall be payable on the 12th day of August, 1965.
- 5. Such moneys shall be repayable to the E. S. and A. Savings Bank Ltd. of 287 Collins-street, Melbourne, at the office of the said Bank.

The plans and specifications and the estimate of the cost of the proposed works and a statement showing the proposed expenditure of the moneys to be borrowed are open for inspection at the office of the Council of the City of Ringwood, Maroondah Highway, Ringwood.

F. P. DWERRYHOUSE, Town Clerk.

Town Hall, Ringwood, 9th October, 1964. 3000

SHIRE OF ALTONA.

NOTICE is hereby given that the Council of the Shire of Altona by Resolutions made at a meeting on 12th November, 1963, and confirmed at a meeting on 10th December, 1963, made By-laws as follows:—

By-law No. 24.—Noxious Weeds By-law for the purpose of requiring the destruction of noxious weeds and for other purposes.

By-law No. 25.—Police Offences By-law for the purpose of extending all the provisions of Part 1 other than section 6 thereof, of the Police Offences Act, to apply to the Shire of Altona.

The copies of the said By-laws are available for inspection, free of charge, during office hours at the Civic Offices, at 115 Civic-parade, Altona.

2995 JAMES W. WATERS, Shire Secretary.

SHIRE OF BALLARAT.

LOAN No. 34.

Notice of Intention to Borrow the Sum of £20,000 for Permanent Works and Undertakings.

NOTICE is hereby given that the Council of the Shire of Ballarat proposes to borrow the sum of £20,000 on the credit of the President, Councillors and Ratepayers of the said Shire by the grant of a mortgage in accordance with the provisions of the Local Government Acts.

In connexion therewith the following information is stated:—

- (a) The amount of the proposed moneys it is proposed to borrow is £20,000.
- (b) The maximum amount of interest to be paid is £5 10s. per centum per annum.
- (c) The times which the moneys borrowed are to be repayable are the 1st days of July and January, 1965 to 1985 inclusive, and the first payment shall be payable on the 1st day of July, 1965, and that the place at which the moneys shall be payable is the National Bank of Australasia Ltd., Melbourne.

(d) The purpose for which the loan is to be applied is—

- (i) Construction of Municipal Chambers and Offices.
- (ii) Construction of Pre-School Centre, College-street, Wendouree.
- (iii) Land Acquisition, Ring-road.

(e) The manner in which the loan is to be liquidated is by provision out of the municipal fund each half-year during the currency of the loan of the sum of approximately £830 12s. 7d., which includes principal and interest.

The plans, specifications and estimate of the cost of the works and the statement showing the proposed moneys to be borrowed, are open for inspection at the Shire Offices, Wendouree.

Dated this 12th day of October, 1964.

2996 JAMES H. MITCHELL, Shire Secretary.

SHIRE OF BERWICK.

NAMING OF STREET.

NOTICE is hereby given that the Council of the Shire of Berwick has, in pursuance of the powers conferred by the Local Government Act 1958, made an order for the naming of the following road:—

Previously un-named.

Name: Harpfield-road.

Location: Leading off St. George's-road, Beaconsfield Upper, at the south-westerly corner of Crown allotment 40, section D, Parish of Gembrook, continuing northerly, westerly and northerly to Crown allotment 59 of the said section and parish. 2919

SHIRE OF BULLA.

LOAN No. 15.

Notice of Intention to Borrow the Sum of £5,500 for Permanent Works and Undertakings.

NOTICE is hereby given that the Council of the Shire of Bulla, proposes to borrow the sum of £5,500 on the credit of the municipal revenues of the President, Councillors and Ratepayers of the said Shire, such sum to be raised by the grant of a mortgage in accordance with the provisions of the Local Government Act 1958.

- 1. The maximum rate of interest that may be paid is 5½ per cent. per annum.
- 2. The purpose for which the loan is to be applied is for the purchase of a property for recreational purposes.
- 3. The period of the loan shall be ten years.
- 4. The moneys borrowed shall be repayable by providing out of the municipal fund twenty half-yearly instalments of £359 1s. 9d. each, including interest, on the 1st day of July and the 1st day of January during the currency of the loan. The first instalment shall be payable on the 1st July, 1965.
- 5. Such moneys shall be repayable at the Head Office of the National Savings Bank Ltd., Melbourne. Plans of the property and statement showing the proposed expenditure are open for inspection at the Municipal Offices, Sunbury. 2943 JOHN M. KELLY, Shire Secretary.

SHIRE OF CROYDON.

LOAN No. 37.

Private Street Construction.

NOTICE is hereby given that at the meeting of the Council of the Shire of Croydon, held at the Shire Hall, Croydon, on the 17th day of August, 1964, the said Council did agree to the following Resolution, that is to say:—

That the Council do by Special Order and it does hereby resolve to borrow the sum of £15,000 on the credit of the municipal revenues of the President, Councillors and Ratepayers of the said Shire, such sum to be raised by the grant of mortgage, in accordance with the provisions of the Local Government Act 1958.

The rate of interest to be paid shall be £5 10s. per centum per annum and the said loan shall be liquidated by 30 half-yearly payments of principal and interest, at the Commonwealth Savings Bank of Australia, Melbourne, on the several days and in the several amounts specified in the schedule of payments.

The purposes for which the said loan shall be applied are for the construction of private streets under the provision of Division 10 of Part XIX. of the Local Government

Act 1958, and the loan shall be liquidated from the receipts of money payable under scheme under the said Division.

Notice is hereby further given that at a meeting of the said Council held at the Shire Hall, Croydon, on the 5th day of October, 1964, the said Resolution was confirmed.
2994 K. A. McKAY, Shire Secretary.

SHIRE OF FLINDERS.

LOAN No. 41.

Notice of Intention to Borrow the Sum of £25,000 for Permanent Works and Undertakings.

NOTICE is hereby given that the Council of the Shire of Flinders proposes to borrow the principal sum of Twenty-five thousand pounds on the credit of the municipal revenues of the President, Councillors and Ratepayers of the said Shire of Flinders, such sum to be raised by the grant of a mortgage in accordance with the provisions of the *Local Government Act 1958*.

1. The maximum rate of interest that may be paid is £5 7s. 6d. per cent. per annum.
2. The purpose for which the loan is to be applied is:—

Construction of Government-road, Rye ..	£9,500
Construction of Napier and Lyons streets, Rye ..	12,200
Purchase of Accounting Machine ..	3,300
3. The period of the loan shall be ten years.
4. The moneys borrowed shall be repayable by providing out of the municipal fund twenty half-yearly instalments of approximately £1,632 4s. 6d. each, including principal and interest, on the 1st day of January, and the 1st day of July during the currency of the loan. The first instalment shall be payable on the 1st day of July, 1965.

5. Such moneys shall be repayable to the Commissioners of the State Savings Bank of Victoria at the office of the said Commissioners, 139-165 Elizabeth-street, Melbourne.

The plans and specifications and the estimate of the cost of the proposed works and a statement showing the proposed expenditure of the moneys to be borrowed are open for inspection at the office of the Council of the Shire of Flinders at Nepean Highway, Dromana.

Date: 7th October, 1964.

2952 S. WILLIAMS, Shire Secretary.

SHIRE OF LILLYDALE.

NOTICE OF INTENTION TO TAKE LAND COMPULSORILY.

WHEREAS the Council of the Shire of Lillydale deems it expedient to exercise its power of taking compulsorily the land described in the Schedule hereto for extending the Kilsyth Recreation Ground pursuant to section 511 of the *Local Government Act 1958* and acquiring the said land for that purpose: And whereas the Council has caused to be prepared a map and other papers setting out the general description of the work or undertaking for which the land proposed to be taken is to be used the description of the lands proposed to be taken and the names of the owners or reputed owners lessees or reputed lessees mortgagees and occupiers of that land so far as those names are known to or can be ascertained by the Council: And whereas the said map and other papers are deposited at the office of the said Council at Lillydale and are and shall be open for inspection by all persons interested at all reasonable hours for the space of 40 clear days after the publication of this notice in the *Government Gazette*: Now notice is hereby given to all persons affected by the proposed taking of the said land to set forth in writing addressed to the Council or the Shire Secretary within 40 clear days of the publication of this notice in the *Government Gazette* all objections which they may have to the taking of the said land.

THE SCHEDULE HEREINBEFORE REFERRED TO:

Being that piece of land commencing at a point 284 ft. 5½ in. south 0 deg. 29 min. west of the north-west corner of Crown allotment 41D, Parish of Mooroolbark; thence 106 ft. 5 in. on a bearing of 90 deg. 31 min.; thence 171 feet on a bearing of 178 deg. 10 min.; thence 113 ft. 4½ in. on a bearing of 271 deg. 56 min.; thence 168 ft. ¼ in. on a bearing of 0 deg. 29 min. to the point of commencement, being also that piece of land shown in red on the plan held at the Shire Office, Lillydale.

2956 T. H. COWLEY, Shire Secretary.

No. 84.—9216/64.—5

SHIRE OF STRATHFIELDSAYE.

LOAN No. 9.

NOTICE is hereby given that the Council of the Shire of Strathfieldsaye proposes to borrow the sum of Nine thousand pounds (£9,000) by mortgage loan in accordance with the provisions of the *Local Government Acts* on the credit of the President, Councillors and Ratepayers of the said Shire.

The period of the loan shall be for five years.

The rate of interest is 5 per cent. per annum.

The sum shall be repaid out of the municipal fund by ten half-yearly instalments of £1,028 6s. 7d., including principal and interest, on the 1st November and 1st May, during the currency of the loan to the C.B.C. Savings Bank Limited, Melbourne. The first instalment shall be payable on the 1st day of May, 1965.

The purpose of the loan is to purchase a power grader, road plant.

Plans and specifications and cost of proposed work are open for inspection at the Shire Office.

M. BRENNAN, Shire Secretary.

Shire Hall, Strathfieldsaye, 7th October, 1964. 2929

SHIRE OF RUTHERGLEN.

BY-LAW No. 19.

A By-law of the Shire of Rutherglen, made under section 65 of the *Health Act 1958* as amended by the *Health (Amendment) Act 1960*, for fixing a fee for the examination of plans, specifications, particulars and descriptions of proposed septic tank systems and any inspections of sites and installations.

IN pursuance of the powers of the *Health Act 1958* and of any and every other power it thereunto enabling the Council of the Shire of Rutherglen orders as follows:—

The following fee is hereby fixed—

For the examination of plans, specifications, particulars and descriptions of proposed septic tank systems, and any inspection of sites and installations of septic tank systems, £2.

Resolution for passing this By-law was agreed to by the Council of the Shire of Rutherglen on the 3rd day of March, 1961, and confirmed on the 7th day of April, 1961.

The common seal of the President, Councillors and Ratepayers of the Shire of Rutherglen was hereto affixed the 7th day of April, 1961, in the presence of—

J. R. RILEY, Shire President.

(SEAL) A. FORBES, Councillor.

J. C. STANTON, Councillor.

2950 C. A. RICKETTS, Shire Secretary.

SHIRE OF WARANGA.

LOAN No. 33.

Notice of Intention to Borrow.

NOTICE is hereby given that the Council of the Shire of Waranga intends to borrow Eighteen thousand pounds (£18,000) on the credit of the President, Councillors and Ratepayers of the said Shire by the grant of a mortgage in accordance with the provisions of the *Local Government Acts*.

In connexion therewith the following information is stated:—

1. The maximum rate of interest that may be paid is £5 5s. per centum per annum.
2. The purpose for which the loan is to be applied is:—

Purchase of plant	£14,000
Street construction	2,500
Purchase of land	1,500

£18,000

3. The period of the loan shall be six years.

4. The moneys borrowed shall be repayable by providing out of the municipal fund twelve half-yearly instalments of £1,768 1s. 7d. each, including principal and interest, on the 1st day of June and on the 1st day of December in each year during the currency of the loan. The first instalment shall be payable on the 1st day of June, 1965.

5. Such moneys shall be repayable at the C.B.C. Savings Bank Limited, Melbourne.

The plans and specifications and the estimate of the cost of the proposed works and a statement showing the proposed expenditure of the moneys to be borrowed are open for inspection at the Shire Offices, Rushworth.

7th October, 1964.
2953

B. E. LEACH, Shire Secretary.

NOTICE OF INTENTION TO APPLY FOR A LICENCE TO DIVERT WATER AND CUT RACE FROM THE GOULBURN RIVER, AT KOTUPNA.

I HEREBY give notice that I intend to apply for a licence empowering me to divert water for a term of six years to the extent of 24 acre-feet per annum at a maximum rate of 4 acre-feet per day of 24 hours for the irrigation of 12 acres of pastures, being part of allotment 2A, Parish of Kotupna, and to occupy certain Crown lands for works of diversion, and to cut a race thereon.

Any objection to such application must be forwarded, in writing, to reach the State Rivers and Water Supply Commission, Melbourne, before 11th November, 1964, being 30 days from the first publication of this notice.

JAMES ALBERT POWER.
3003

Yambuna P.O., via Tongala.

GEELONG WATERWORKS AND SEWERAGE TRUST.

PURSUANT to section 60 (2) of the *Geelong Waterworks and Sewerage Act 1958* (No. 6263) notice is hereby given of the intention of the Trust to construct sewers to provide for properties in and adjacent to:—

Shire of South Barwon.

Bruthen-road,
Barrabool Hills-road,
Hutt-street,
South Valley-road.

Shire of Bellarine.

Wilson's-road.

and more particularly as shown on maps which are open for public inspection at the Trust's Offices, Ryrie-street, Geelong, between the hours of 9 a.m. and 4 p.m. daily, from Monday to Friday.

Dated this 6th day of October, 1964.

2920 B. C. HENSHAW, Secretary.

PETERBOROUGH WATERWORKS TRUST.

BY-LAW NO. 1.

NOTICE is hereby given that By-law No. 1 was made by the Peterborough Waterworks Trust on the 3rd June, 1964, and was approved by the Governor in Council on the 8th September, 1964.

The By-law provides for the following matters:—

Standing Orders for Regulating and Appointing the Place and Hour of Meetings of the Peterborough Waterworks Trust, and Providing for the Management and Conduct of Business Thereat.

The By-law is open for inspection, free of charge, at the Office of the Trust, Shire Hall, corner Fairy and Koroit streets, Warrnambool.

2922 A. F. PONTING, Secretary.

ARARAT SEWERAGE AUTHORITY.

GENERAL NOTICE.

THE Ararat Sewerage Authority, having made provision for carrying off sewage from each and every property which or any part of which is within the sewerage areas hereinafter described, doth hereby declared that on and after the 2nd day of November, 1964, each and every property which, or any part of which, is within the said sewerage areas shall be deemed to be a seweraged property within the meaning of the *Sewerage Districts Act 1958*.

The boundaries of the sewerage areas hereinbefore referred to are:—

Area 23.—Commencing at a point in Barkly-street at the south-western extremity of Sewerage Area 1; thence by Barkly-street to Brewster-road, including the houses fronting Brewster-road and along Brewster-road to the western end of Henderson-street; thence northerly to Ford-street; thence easterly in Ford-street to the western extremity of Sewerage Area 10; thence northerly to the intersection of Banfield-street and the right-of-way west of Clarke-street; thence by that right-of-way across Kneebone-street to Hucker-street, including the houses fronting Hucker-street and along Hucker-street to Cemetery Creek; thence east along Cemetery Creek to Lambert-street at Sewerage Area 3; thence by the western boundaries of Sewerage Areas 3, 9, 19, 10, 1, 20, and 1 to the point of commencement.

Area 24.—Commencing at a point in Grano-street on the eastern boundary of Sewerage Area 13; thence by Grano-street to Simpson-street; thence by Simpson-street and Hargreaves-street and Nichol-street to Grano-street; thence to the point of commencement.

By order of the Ararat Sewerage Authority,

E. W. JAMES, Chairman.
J. I. GRENFELL, Secretary.

2951

THE BALLARAT SEWERAGE AUTHORITY.

GENERAL NOTICE.

THE above-mentioned Sewerage Authority, having made provision for carrying off the sewage from each and every property which, or any part of which, is within the Sewerage Area hereinafter described, doth hereby declare that on and after the 1st day of November, 1964, each and every property which, or any part of which, is within the said Sewerage Area, shall be deemed to be a seweraged property within the meaning of the *Sewerage Districts Act 1958*.

The boundaries of the Sewerage Area hereinbefore referred to are:—

Sewerage Area No. 248.

Borough of Sebastopol.—Commencing at the north-west corner of No. 157 Yarrowee-street about 264 feet north of Kyle-street, being a point on the boundary of Sewerage Area No. 202; thence easterly to the north-east corner of the said No. 157, southerly to the north-west corner of lot 6, Kyle-street, being a point on the boundary of Sewerage Area No. 197; thence southerly, westerly and northerly along the boundaries of Sewerage Areas Nos. 197 and 202 to the point of commencement.

Further particulars regarding the streets, or parts of streets, in which sewers have been laid, may be ascertained on enquiry at the Authority's Office.

By order of the said Sewerage Authority,

A. W. NICHOLSON, Chairman.
CHAS. H. CLAMP, Secretary.

2946

NOTICE is hereby given that Fleetways Properties Pty. Limited has applied for a lease, under section 134 of the *Land Act 1958*, for a term of 46 years from 6th December, 1964, of allotment 21, section 59, City of Port Melbourne, containing 1 acre 1 rood 13 perches, as a site for transport and storage.

3001

NOTICE is hereby given that the Camberwell District Clay Target Club has applied for a lease under section 134, *Land Act 1958*, of 32 acres, being part of allotment B2, section 4, Parish of Yering, for a term of 21 years for the purpose of Amusement and Recreation (Gun Club).

2752

In the matter of the *Companies Act 1961*.—And in the matter of NINO MELBOURNE PROPRIETARY LIMITED, of 258 Flinders-lane, Melbourne.—Form 92 (Regulation 28 (2) (b)).—Notice of Meeting of Creditors (Section 260 (1)).—NINO MELBOURNE PROPRIETARY LIMITED.

NOTICE is hereby given that a Meeting of Creditors of Nino Melbourne Proprietary Limited will be held at the Board Room, Honorary Justices Association, 34 Queen-street, Melbourne, on Wednesday, the 21st day of October, 1964, at half-past Three o'clock p.m. in the afternoon, the company having convened a meeting of its members for the same day for the purpose of considering a Resolution that the company be wound up voluntarily.

Dated this 12th day of October, 1964.

By order of the Board,
L. G. JENNINGS, Director.

3007

The *Companies Act 1961*.

MELODY TIME PTY. LTD. (IN LIQUIDATION).

NOTICE CONVENING FINAL MEETING OF MEMBERS AND CREDITORS, PURSUANT TO SECTION 272.

NOTICE is hereby given in pursuance of section 272 of the *Companies Act 1961* that a Meeting of the Members and Creditors of the above-named company will be held on the 11th November, 1964, at Eleven a.m., at the offices of Hall & Rose, chartered accountants, 163 William-street, Melbourne, for the purpose of having an account laid before them, showing the manner in which the winding up has been conducted and the property of the company disposed of, and of hearing any explanations that may be given by the liquidator.

Dated this 13th day of October, 1964.

J. K. HALL, Liquidator.
Hall & Rose, chartered accountants, 163 William-street, Melbourne.

3012

In the Supreme Court of Victoria.—1964, No. COY 6936.—
In the matter of the *Companies Act 1961*.—And in the
matter of STANHILL CONSOLIDATED LIMITED.

NOTICE is hereby given that a petition for the winding up of the above-named company by the Supreme Court was on the 12th day of October, 1964, presented by Stanhill Development Finance Limited: And that the said petition is directed to be heard before the court sitting at the Fourteenth Court, Law Courts, William-street, Melbourne, on the 9th day of November, 1964, at the hour of half-past Ten o'clock in the forenoon, and any creditor or contributory of the said company desiring to support or oppose the making of an Order on the said petition may appear at the time of hearing by himself or his counsel for that purpose, and a copy of the petition will be furnished to any creditor or contributory of the said company requiring the same by the undersigned on payment of the regulated charge for the same.

The petitioners address is 541 St. Kilda-road, Melbourne.

The petitioner's solicitors are Darvall & Hambleton, 7th Floor, T. & G. Building, the corner of Collins and Russell streets, Melbourne.

DARVALL & HAMBLETON, solicitors for the petitioner.

NOTE.—Any person who intends to appear on the hearing of the said petition must serve on or send by post to the above-named solicitors, notice in writing of his intention so to do. The notice must state the name and address of the person, or, if a firm, the name and address of the firm and must be signed by the person or firm, or his or their solicitor (if any) and must be served, or if posted, must be sent by post in sufficient time to reach the above named not later than Four o'clock in the afternoon of the 6th day of November, 1964. 3025

In the Supreme Court of Victoria.—1964, No. COY 6935.—
In the matter of the *Companies Act 1961*.—And in the
matter of STANHILL CONSOLIDATED LIMITED.

NOTICE is hereby given that a petition for the winding up of the above-named company by the Supreme Court was on the 12th day of October, 1964, presented by T. & G. Nominees Proprietary Limited: And that the said petition is directed to be heard before the court sitting at the Fourteenth Court, Law Courts, William-street, Melbourne, on the 9th day of November, 1964, at the hour of half-past Ten o'clock in the forenoon, and any creditor or contributory of the said company desiring to support or oppose the making of an Order on the said petition may appear at the time of hearing by himself or his counsel for that purpose, and a copy of the petition will be furnished to any creditor or contributory of the said company requiring the same by the undersigned on payment of the regulated charge for the same.

The petitioner's address is the corner of Collins and Russell streets, Melbourne.

The petitioner's solicitors are Darvall & Hambleton, 7th Floor, T. & G. Building, the corner of Collins and Russell streets, Melbourne.

DARVALL & HAMBLETON, solicitors for the petitioner.

NOTE.—Any person who intends to appear on the hearing of the said petition must serve on or send by post to the above-named solicitors, notice in writing of his intention so to do. The notice must state the name and address of the person, or, if a firm, the name and address of the firm and must be signed by the person or firm, or his or their solicitor (if any) and must be served, or if posted, must be sent by post in sufficient time to reach the above named not later than Four o'clock in the afternoon of the 6th day of November, 1964. 3026

YARN DISTRIBUTORS (VIC.) PROPRIETARY LIMITED
(IN VOLUNTARY LIQUIDATION).

NOTICE CONVENING FINAL MEETING.

NOTICE is hereby given in pursuance to section 272 of the *Companies Act 1961*, that a General Meeting of the members of the above-named company will be held at 1 Palmerston-crescent, South Melbourne, on the 25th day of November, 1964, at 10.30 o'clock in the forenoon, for the purpose of having an account laid before them showing the manner in which the winding up has been conducted, and the property of the company disposed of and of hearing any explanation that may be given by the liquidator and also pursuant to section 284 (3) (b), to determine by Ordinary Resolution the manner in which the books, accounts and documents of the company and of the liquidator thereof shall be disposed of.

Dated the 9th day of October, 1964.

2965 G. K. SCAMBLER, Liquidator.

The *Companies Act 1958*.—In the matter of ROCKET RADIO & ELECTRICAL PTY. LTD. (in Liquidation).

NOTICE is hereby given that pursuant to section 210 of the *Companies Act* a Final Meeting of the creditors of the above company will be held at the offices of Kennedy, Smail and Middlemiss, 296-300 Little Lonsdale-street, Melbourne, on Wednesday, the 11th day of November, 1964, at Ten a.m.

Business.—To receive the liquidator's accounts.

Dated this 9th day of October, 1964.

EDWARD RONALD SMAIL, Liquidator.

Kennedy, Smail & Middlemiss, 296-300 Little Lonsdale-street, Melbourne. 3027

P. J. BRUNNING HOME BUILDERS PROPRIETARY LIMITED (IN VOLUNTARY LIQUIDATION).

NOTICE is hereby given pursuant to section 272 (2) of the *Companies Act 1961*, that a General Meeting of the above-named company will be held at the office of N. R. Macaw, chartered accountant, 31 Queen-street, Melbourne, on Monday, the 16th day of November, 1964, at Two o'clock in the afternoon, for the purpose of having an account laid before them showing the manner in which the winding up has been conducted and the property of the company disposed of and of hearing any explanation that may be given by the liquidator.

Dated this 13th day of October, 1964.

3029 N. R. MACAW, Liquidator.

The *Companies Act 1961*.—In the matter of YORK RADIO PROPRIETARY LIMITED (in Liquidation).

NOTICE is hereby given that pursuant to section 272 of the *Companies Act* a Final Meeting of the creditors of the above company will be held at the offices of Kennedy, Smail and Middlemiss, 296-300 Little Lonsdale-street, Melbourne, on Wednesday, the 11th day of November, 1964, at 12 noon.

Business: To receive the liquidator's accounts.

Dated this 6th day of October, 1964.

EDWARD RONALD SMAIL, Liquidator.

Kennedy, Smail & Middlemiss, 269-300 Little Lonsdale-street, Melbourne. 2967

The *Companies Act 1958*.—In the matter of LA MORELLE PTY. LTD. (in Liquidation).

NOTICE is hereby given that a Second and Final Dividend is intended to be declared in this matter. Creditors who have not proved their debts by the 30th day of October, 1964, will be excluded from the dividend.

Dated this 9th day of October, 1964.

G. R. THOMPSON, Liquidator.

Kennedy, Smail & Middlemiss, 296-300 Little Lonsdale-street, Melbourne. 2971

The *Companies Act 1961*.—In the matter of F. & D. STORES (GISBORNE) PTY. LTD. (in Liquidation).

NOTICE is hereby given that a First Dividend is intended to be declared in this matter. Creditors who have not proved their debts by the 30th day of October, 1964, will be excluded from the dividend.

Dated this 9th day of October, 1964.

A. M. HORSBURGH, Liquidator.

Kennedy, Smail & Middlemiss, 296-300 Little Lonsdale-street, Melbourne. 2972

Companies Act 1961.

GREENING PROPERTIES PTY. LTD.

(IN VOLUNTARY LIQUIDATION).

Notice Convening Final Meeting of Members Pursuant to Section 272.

NOTICE is hereby given that a General Meeting of the members of the company will be held on Monday, 16th November, 1964, at the office of Messrs. Fitzgerald Gunn & Partners, 238 Elizabeth-street, Melbourne, at 12 noon, for the purpose of having an account laid before them showing the manner in which the winding up has been conducted and the property of the company disposed of and of hearing any explanations that may be given by the liquidator.

Dated the 14th day of October, 1964.

J. BALMFORD, Liquidator.

Fitzgerald Gunn & Partners, 238 Elizabeth-street, Melbourne. 2976

Companies Act 1961.

M. O. TRADING CO. PROPRIETARY LIMITED.

NOTICE OF MEETING OF CREDITORS.

NOTICE is hereby given that a Meeting of Creditors of M. O. Trading Company Proprietary Limited, will be held at the Board Room, Institute of Chartered Accountants, in Australia, 23 McKillop-street, Melbourne, on Friday, 16th October, 1964, at 3.30 o'clock in the afternoon, the company having convened a meeting of its members for the same day, for the purpose of considering a Resolution that the company be wound up voluntarily.

Dated this 7th day of October, 1964.

M. OSHLACK, Director.

Sampson, Scoullar & Sinclair, accountants, 414 Bourke-street, Melbourne. 2974

Companies Act 1961.

M. OSHLACK HOLDINGS PROPRIETARY LIMITED.

NOTICE OF MEETING OF CREDITORS.

NOTICE is hereby given that a Meeting of Creditors of M. Oshlack Holdings Proprietary Limited, will be held at the Board Room, Institute of Chartered Accountants in Australia, 23 McKillop-street, Melbourne, on Friday, 16th October, 1964, at 3 o'clock in the afternoon, the company having convened a meeting of its members for the same day, for the purpose of considering a Resolution that the company be wound up voluntarily.

Dated this 7th day of October, 1964.

M. OSHLACK, Director.

Sampson, Scoullar & Sinclair, accountants, 414 Bourke-street, Melbourne. 2987

Companies Act 1961.—In the matter of ROBERT CRAIG PTY. LIMITED (in Voluntary Liquidation), and in the matter of the *Companies Act 1961.*—Notice of Final Meeting of the Company and the Creditors.

NOTICE is hereby given that, pursuant to section 272 of the *Companies Act 1961.* a Final Meeting of the company and the creditors will be held at 565 Highett-road, Highett, on Tuesday, 10th November, 1964, at Eleven o'clock a.m., for the purpose of laying before it an account showing how the winding up has been conducted and the property of the company has been disposed of, and giving any explanations required.

Dated this 6th day of October, 1964.

2928 J. D. CULLEN, Liquidator.

The Companies Act 1961.

MORNING STAR MINES NO LIABILITY (IN LIQUIDATION).

NOTICE is hereby given that a First and Final Dividend is intended to be declared in the above matter. Creditors who have not proved their debts by the 9th day of November, 1964, may be excluded from this dividend.

Dated this 7th day of October, 1964.

J. K. HALL, Official Liquidator.

Hall & Rose, chartered accountants, 163 William-street, Melbourne, C.1. 2960

Companies Act 1961.

PENINSULA POTTERIES PTY. LTD. (IN VOLUNTARY LIQUIDATION).

A MEETING of members of Peninsula Potteries Pty. Ltd. (in Voluntary Liquidation) will be held at the office of Allen G. James, 13 Atherton-road, Oakleigh, on Monday, 16th November, 1964, at half-past Nine o'clock a.m., for the purpose of receiving the liquidator's final account.

2935 ALLEN G. JAMES, Liquidator.

The Companies Act 1961.—In the matter of BAK RAINCOAT PTY. LTD. (in Liquidation).

NOTICE is hereby given that a First Dividend is intended to be declared in this matter. Creditors who have not proved their debts by the 2nd day of November, 1964, will be excluded from the dividend.

Dated this 12th day of October, 1964.

N. E. STRETTON, Liquidator.

Kennedy, Smail & Middlemiss, 296-300 Little Lonsdale-street, Melbourne. 2979

Companies Act 1961.—EVERYONE'S FINANCE COMPANY PROPRIETARY LIMITED (in Voluntary Liquidation).—Notice of Final Meeting of the Company.

NOTICE is hereby given that, pursuant to section 272 of the *Companies Act 1961.* a Final Meeting of the company will be held at Six o'clock p.m., on Monday, 23rd November, 1964, at the offices of Driscoll, McIvor & Co., 4 Lydiard-street south, Ballarat, for the purpose of laying before it an account showing how the winding up has been conducted and the property of the company has been disposed of, and giving any explanations required.

Dated this 7th day of October, 1964.

2934

M. H. MATTHEWS, Liquidator.

Companies Act 1961.

PENINSULA HOLDINGS PTY. LTD. (IN VOLUNTARY LIQUIDATION).

A MEETING of members of Peninsula Holdings Pty. Ltd. (in Voluntary Liquidation) will be held at the office of Allen G. James, 13 Atherton-road, Oakleigh, on Monday, 16th November, 1964, at half-past Nine o'clock a.m., for the purpose of receiving the liquidator's final account.

2936 ALLEN G. JAMES, Liquidator.

The Companies Act 1961.—In the Supreme Court of Victoria.—PARKER TIMBER & HARDWARE CO. PTY. LTD. (in Liquidation).—Notice to Creditors and Contributors of First Meeting (Under the Order for Winding Up by the Company, dated the 12th August, 1963).

NOTICE is hereby given that the first meeting of creditors in the above matter will be held at the Board Room of the Honorary Justices Association, 34 Queen-street, Melbourne, on Friday, the 16th day of October, 1964, at a quarter past Eleven o'clock a.m., and that the first meeting of contributories will be held at the same place and on the same day at Eleven o'clock a.m.

Dated this 1st day of October, 1964.

NOTE.—At the first meeting of creditors and contributories, they may, amongst other things, by resolution determine the appointment of a committee of inspection to act with the liquidator and who are to be the members of the committee of inspection.

R. D. WIDDOWS, Official Liquidator, 125 William-street, Melbourne. 2937

1964, No. of company: 6932.—In the Supreme Court of Victoria.—In the matter of the *Companies Act 1961* and in the matter of ZERO CONSTRUCTIONS PROPRIETARY LIMITED.—Advertisement of Petition.

NOTICE is hereby given that a petition for the winding up of the above-named company by the Supreme Court was, on the 5th day of October, 1964, presented by Alison Jean Armstrong, clerk. And that the said petition is directed to be heard before the Court sitting at Melbourne at the hour of 10.30 o'clock in the forenoon, on the 30th day of October, 1964; and any creditor or contributory of the said company desiring to support or oppose the making of an order on the said petition may appear at the time of hearing by himself or his counsel for that purpose; and a copy of the petition will be furnished to any creditor or contributory of the said company requiring the same by the undersigned on payment of the regulated charge for the same.

The petitioner's address is 14 Withers-street, East Ivanhoe.

The petitioner's solicitor is Alfred Y. Zion, of 224 Queen-street, Melbourne.

ALFRED Y. ZION, solicitor for the petitioner.

NOTE.—Any person who intends to appear on the hearing of the said petition must serve on or send by post to the above-named solicitor notice, in writing, of his intention so to do. The notice must state the name and address of the person, or, if a firm, the name and address of the firm, and must be signed by the person or firm, or his or their solicitor (if any) and must be served, or, if posted, must be sent by post in sufficient time to reach the above named not later than Four o'clock in the afternoon of the 29th day of October, 1964. 2942

Unclaimed Moneys Act 1962.

REGISTER of Unclaimed Moneys held by—

Name of Owner on Books and Last Known Address.	Total Amount Due to Owner.	Description of Unclaimed Moneys.	Date when Amount first became Payable.
	£ s. d.		
MACROBERTSON (AUSTRALIA) LTD.			
Havinga, H. J. (address unknown)	5 0 0	Dividend	—12.52
Havinga, M. C. (address unknown)	5 0 0	"	—12.52
Hall, Thomas John, 118 Glenhuntly-road, Elsternwick, S.4	6 0 0	"	—11.54
Burchell, Annie Theresa (Mrs.), c/o Myross, Banyena	5 0 0	"	—12.54
Russell, Jess Lucy (Mrs.), Mawallok, Beaufort	15 0 0	"	—12.54
Braumann, Margarethe (Mrs.), 225 Alma-road, East St. Kilda	8 0 0	"	—5.55
Favaloro, Giovannina Elizabeth (Miss), 145 Forest-street, Bendigo	6 0 0	"	—5.55
Favaloro, Iolanda Evelyn (Miss), 145 Forest-street, Bendigo	6 0 0	"	—5.55
Sabey, Catherine (Mrs.), 46 Prospect Hill-road, Camberwell	10 0 0	"	—11.55
Howe, Marjorie Veronica (Mrs.), 12 Burbong-street, Kingsford, N.S.W.	6 0 0	"	—5.56
Ward, Dorothy Mary (Miss), Infectious Diseases Hospital, Northfield, S.A.	6 0 0	"	—5.56
Cromie, Maxwell John, 68 Stevenson-street, Kew, E.4	7 10 0	"	—4.57
Denny, Irene (Mrs.), 227 Union-road, Surrey Hills, E.10	10 0 0	"	—4.57
Grace, Frederick Spencer, c/o Automatic Totalisators (U.S.A.) Ltd., 5 Phillip-street, Sydney, N.S.W.	8 0 0	"	—10.57
Young, William, 100 Glenmore-road, North Rockhampton, Q'ld.	6 0 0	"	—10.57
Riddoch, James Alexander D., 7 Morris-street, Belmont, Geelong	7 10 0	"	—12.57
Brooke, A. M. (estate of), c/o Henderson and Ball, 430 Little Collins-street, Melbourne	6 0 0	"	—4.58
Darken, John Henry, 19 The Grange, East Malvern, S.E.5	6 0 0	"	—4.58
Grace, Alice (Miss), 217 Victoria-avenue, Palmerston North, N.Z.	9 0 0	"	—4.58
Stevenson, John Vallance, 112 Wilson-street, North Carlton, N.4	6 0 0	"	—4.58
Isaacs, Alexander J. (estate of), c/o A. Newton Super, 243 Collins-street, Melbourne, C.1	14 0 0	"	—10.58
Whyte, George Blackstock (Mrs.), "St. Annes", Gladstone-road, Leura, N.S.W.	10 0 0	"	—10.58
Klinger, Lucy Fraser (Mrs.), Flat 7, "Harley", 153 Blues Point-road, North Sydney, N.S.W.	16 0 0	"	—10.58
McNally, Francis John, Flat 4, "Jahlor Court", cnr. Tudor and Parry streets, Hamilton, N.S.W.	5 0 0	"	—10.58
Harris, John Edward 115 Frederick-street, Merewether Beach, Newcastle, N.S.W.	5 0 0	"	—12.58
Darken, John Henry, 19 The Grange, East Malvern, S.E.5	6 0 0	"	—4.59
Tedswell, Deirdre Olive (Mrs.), 49 Esplanade, Glenelg, S.A.	6 0 0	"	—4.59
McNally, Francis John, Flat 4, "Jahlor Court", cnr. Tudor and Parry streets, Hamilton, N.S.W.	7 10 0	"	—4.59
McNally, Francis John, Flat 4, "Jahlor Court", cnr. Tudor and Parry streets, Hamilton, N.S.W.	5 0 0	"	—10.59
Cox, Rita A. (estate of), c/o Cook, Tomlins and Mirams, 360 Collins-street, Melbourne, C.1	5 0 0	"	—12.59
Darken, John Henry, 19 The Grange, East Malvern, S.E.5	6 0 0	"	—4.60
Tedswell, Dierdre Olive (Mrs.), 49 Esplanade, Glenelg, S.A.	6 0 0	"	—4.60
McNally, Francis John, Flat 4, "Jahlor Court", cnr. Tudor and Parry streets, Hamilton, N.S.W.	7 10 0	"	—4.60
Macklin, Sidney Rupert, 644 Jones-street, Albury, N.S.W.	5 0 0	"	—6.60
Courtney, T. P. (Mrs.), 45 Balcatta Beach-road, North Beach, W.A.	6 0 0	"	—11.60
Cruickshank Investments Pty. Ltd., M.L.C. Building, London Circuit, Canberra, A.C.T.	8 0 0	"	—11.60
Hanger, E. G. R., 22 Myrnong-crescent, Toorak, S.E.2	20 0 0	"	—11.60
Hedley, D. A. (Miss), A/C A. G. Hedley Trust, 157 Balwyn-road, Balwyn	5 0 0	"	—12.60
Ferguson, H. B., 16 Alice-street, Turrumurra, N.S.W.	9 0 0	"	—4.61
Brooke, F. M. (estate of), c/o Henderson and Ball, 430 Little Collins-street, Melbourne, C.1	6 0 0	"	—4.61
Cooke, M. C. (Miss), Flat 1, 7 Princes-avenue, East Caulfield	6 0 0	"	—4.61
Darken, J. H., 19 The Grange, East Malvern, S.E.5	6 0 0	"	—4.61
Millar, M. R. (Mrs.), 16 Hamilton-road, Malvern	12 0 0	"	—4.61
Callaghan, O. A. (Mrs.), 32 Grandview-road, Brighton, S.E.5	6 10 0	"	—6.61

2941

THE PERPETUAL EXECUTORS AND TRUSTEES ASSOCIATION OF AUSTRALIA LIMITED, whose registered office is situate at Nos. 100-104 Queen-street, Melbourne, in the State of Victoria, having been duly authorized by Louis Colin Scarborough, of 4 Waterloo-street, Camberwell, in the said State, general manager, the executor appointed by the will of Jean Lyell Scarborough, late of 4 Waterloo-street, Camberwell, in the said State, married woman (who died on the 28th June, 1964) requires all creditors, next of kin and others having claims against the property or estate of the said deceased, to send to the said company on or before the 16th day of December, 1964, particulars, in writing, of such claims, after which date the said company intends to convey or distribute such property or estate to or among the persons entitled thereto, having regard only to the claims of which it shall have had notice.

Dated the 8th day of October, 1964.

TOLHURST, DRUCE & EMMERSON, solicitors, 357 Little Collins-street, Melbourne. 2969

DANIEL VAUGHAN, late of Swan Marsh, in the State of Victoria, farmer, DECEASED.

CREDITORS, next of kin and others having claims in respect of the estate of the said deceased (who died on the 7th day of November, 1944), are required by Martin Vaughan and Eamonn De Valera Vaughan, both of Swan Marsh aforesaid, farmers, being two of the three executors appointed by the said deceased's will, and Edward Vaughan of Swan Marsh, aforesaid, farmer, and Eileen Price, of Stoneyford, in the said State, married woman, as the executors of the third executor Mary Vaughan, late of Swan Marsh, aforesaid, widow, deceased, to send particulars of their claims to the under-mentioned solicitors by the 21st day of December, 1964, after which date the executors may distribute the assets, having regard only to the claims of which they then have notice.

P. ARUNDELL & SON, solicitors, Bromfield-street, Colac. 2939

HELEN EVELINE WALLACE, formerly of 3 Munro-street, Armadale, but late of Mont Park Hospital, Mont Park, spinster, DECEASED.

CREDITORS, next of kin and others having claims against the estate of the deceased (who died on the 25th day of June, 1964), are required by the executor, The Union-Fidelity Trustee Company of Australia Limited, of 333 Collins-street, Melbourne, to send particulars to it by the 31st day of December, 1964, after which date the executor may convey or distribute the assets, having regard only to the claims of which it then has notice.

Dated the 8th day of October, 1964.

MADDEN, BUTLER, ELDER & GRAHAM, solicitors, 99 Queen-street, Melbourne. 2983

CREDITORS, next of kin and other persons having claims in respect of the estate of Kathleen Elizabeth Cullen, formerly of 7 Glyndon-avenue, Brighton, but late of 17 Daly-road, Sandringham, widow (who died 7th June, 1964), are to send particulars of their claim to Elizabeth Ann Jones, of 9 North-road, Oakleigh, married woman, Judith Kathleen Smith, of 14 Daly-road, Sandringham, married woman, and John Duncan Mustow, of 89 Queen-street, Melbourne, solicitor, care of the undersigned, by 14th December, 1964, after which date they will distribute the assets, having regard only to the claims of which they then have notice.

JOHN D. MUSTOW & CO., solicitors, 89 Queen-street, Melbourne. 2984

CREDITORS, next of kin and other persons having claims in respect of the estate of John Geddie MacDonald, formerly of Stawell, in the State of Victoria, bank manager, but late of 39 Earlesfield-road, Hampton, gentleman (who died 27th May, 1964) are to send particulars of their claim to Beveridge Flora MacDonald, care of the undersigned, by the 14th December, 1964, after which date she will distribute the assets, having regard only to the claims of which she then has notice.

JOHN D. MUSTOW & CO., solicitors, 89 Queen-street, Melbourne. 2986

CREDITORS, next of kin and all other persons having claims in respect of the estate of Bernard Arthur Brent, late of Wattle-avenue, Belgrave, retired chemist (who died on 20th November, 1963), are to send particulars of their claims to Oscar Redding Peirce Brent, of 48 Charles-street, East Brighton, care of the undersigned, by the 15th day of December, 1964, after which date he will distribute the assets, having regard only to the claims of which he then has notice.

JOHN D. MUSTOW & CO., solicitors, 89 Queen-street, Melbourne. 2980

CREDITORS, next of kin and others having claims in respect of the estate of George William Passmore Taylor (also known as George William Taylor), late of 2 Myrtle-grove, Tecoma, retired sheetmetal worker, deceased (who died on the 17th day of June, 1964), are to send particulars of their claims to the executrix, Alma Lily Sloman, care of the under-mentioned solicitors; on or before the 18th day of December, 1964, after which date the executrix will distribute the assets, having regard only to the claims of which she then has notice.

MARTIN & MARTIN, solicitors, 37 Queen-street, Melbourne. 2968

CREDITORS, next of kin and others having claims in respect of the estate of Eileen Mary Larter, late of 134 Mary-street, Richmond, widow, deceased (who died on the 29th day of July, 1964), are requested to send particulars of their claims to the executor, care of the under-mentioned solicitors, by the 31st day of December, 1964, after which date he will distribute the assets, having regard only to the claims of which he then has notice.

FREDERICK OWEN & ASSOCIATES, solicitors, of 84 William-street, Melbourne. 2966

CREDITORS, next of kin and others having claims against the under-mentioned person are required to send the particulars thereto to Ettie Margaret Blanche, care of R. P. Barrett and Son, solicitors, 473 Bourke-street, Melbourne, on or before the 20th day of December, 1964, otherwise they may be excluded when the assets are being distributed.

Name: Ernest Alfred Joseph Andrews, late of 461 Canning-street, North Carlton, retired postal employee. Date of death, 9th day of May, 1964.

R. P. BARRETT & SON, solicitors, 473 Bourke-street, Melbourne. 3008

THE UNION-FIDELITY TRUSTEE COMPANY OF AUSTRALIA LIMITED, of 333 Collins-street, Melbourne, the executor of the will of Emma Jane McIvor, late of Benalla, in the State of Victoria, widow (who died on the 24th day of May, 1964), requires all creditors, next of kin and others having claims against the property or estate of the said deceased to send particulars of such claims, in writing, care of Hamilton, Clarke & Clarke, 55 Nunn-street, Benalla, on or before the 14th day of December, 1964, after which day the said executor intends to convey or distribute such property or estate to or among the persons entitled thereto, having regard only to the claims of which it shall then have had notice.

Dated this 1st day of October, 1964.

HAMILTON, CLARKE & CLARKE, 55 Nunn-street, Benalla, proctors for the said executor. 3030

WILLIAM HENRY BAKER, late of 607 Skipton-street, Ballarat, in the State of Victoria, labourer, DECEASED (who died on the 18th August, 1964).

CREDITORS, next of kin and all other persons having claims against the estate of the deceased are required by the executor, The Union-Fidelity Trustee Company of Australia Limited, of 333 Collins-street, Melbourne, to send particulars of their claims in respect of the said property, to the said executor, care of the said company, at 101 Lydiard-street, North Ballarat, on or before the 14th December, 1964, after which date it will proceed to distribute the said estate, having regard only to the claims of which it then has notice.

Dated this 14th day of October, 1964.

R. H. RAMSAY & GAUNT, 41 Lydiard-street, Ballarat, solicitors for the executor. 2945

CREDITORS, next of kin and others having claims in respect of the estate of Ellen Annabella Kennedy, late of 37 Otway-street, Portland, in the State of Victoria, spinster, deceased (who died on the 23rd day of July, 1964), are to send particulars of their claims to The Union-Fidelity Trustee Company of Australia Limited, of 333 Collins-street, Melbourne, the executor named in the will of the said deceased, at the office of the said company, at 73 Thompson-street, Hamilton, in the said State, by the 20th December, 1964, after which date it will distribute the assets, having regard only to the claims of which it then has notice.

Dated the 9th day of October, 1964.

GREY & HARRIS, 31B Percy-street, Portland, solicitors for the said executor. 2947

WILLIAM GEORGE RYAN, late of Tyntynder Central, farmer, DECEASED.

CREDITORS, next of kin and others having claims in respect of the estate of the deceased (who died on the 19th day of January, 1964), are required by the executors, Helen Dorothy Devilee, of 7 Sunnyside-avenue, Mildura, married woman, and Peter John Ryan, of Traralgon, foreman, to send particulars to them, care of the undersigned, by the 22nd day of December, 1964, after which date the executors may convey or distribute the assets, having regard only to the claims of which they then have notice.

Dated this 7th day of October, 1964.

ALEC M. HAYES, solicitor, 199 Campbell-street, Swan Hill. 2944

CREDITORS, next of kin and others having claims in respect of the estate of Ethel Gosch, late of 129 Willsmere-road, North Kew, widow, deceased (who died on the 8th May, 1963), are to send particulars of their claims to the executors, Leonard William Gosch, Alice Beryl O'Farrell and Elizabeth Edna Bennett, care of the under-mentioned solicitors, by the 21st day of December, 1964, after which date they will distribute the assets, having regard only to the claims of which they then have notice.

W. A. PRENDERGAST & ROBINSON, solicitors, 406 Lonsdale-street, Melbourne. 2964

CREDITORS, next of kin and others having claims in respect of the estate of Beatrice Armstrong, late of 112 The Esplanade, Middle Brighton, widow, deceased (who died on 31st May, 1964), are to send particulars of their claims to The Union-Fidelity Trustee Company of Australia Limited, of 333 Collins-street, Melbourne, by the 21st day of December, 1964, after which date it will distribute the assets, having regard only to the claims of which it then has notice.

HENDERSON & BALL, solicitors, 430 Little Collins-street, Melbourne. 2958

RE HORACE CHESTER OTWAY, late of 65A Sydney-parade, East Geelong, in the State of Victoria, retired builder, DECEASED (who died on the 17th day of June, 1964).

CREDITORS, next of kin and all persons having claims against the estate of the above-named are required by the executors of the will, The Union-Fidelity Trustee Company of Australia Limited, of 333 Collins-street, Melbourne, and Ivy Ada Otway, of Sydney-parade, East Geelong, widow, to send particulars to the said executors at the Geelong office of the said trustee company, No. 8 Malop-street, Geelong, on or before the 23rd day of December, 1964, after which date they will distribute the assets, having regard only to the claims of which they then have notice.

BIRDSEY, DEDMAN & BARTLETT, of 166A Ryrie-street, Geelong, estate solicitors. 2921

DAVID VALENTINE MOLLISON, late of 16 Beveridge-street, Swan Hill, in the State of Victoria, retired carrier, DECEASED (who died on the 13th March, 1964).

CREDITORS, next of kin and all other persons having claims against the estate of the deceased are required by the executors of the will, Minnie Elizabeth Mollison, and Noel Alexander Mollison, to send particulars to them care of the undersigned, on or before the 5th day of January, 1965, after which date they will distribute the assets, having regard only to the claims of which they then have notice.

GARDEN & GREEN, solicitors, 4 McCallum-street, Swan Hill. 2923

CREDITORS, next of kin and others having claims in respect of the estate of Richard Stanley Morton, deceased, late of Yarrowonga, baker (who died on the 19th day of May, 1963), are to send particulars of their claims to the executors of the estate of Richard Stanley Morton, care of G. M. Castles & Middleton, solicitors, of 40 Belmore-street, Yarrowonga, by the 19th day of December, 1964, after which date the said executors will distribute the estate of the said deceased, having regard only to the claims of which they then have notice.

G. M. CASTLES & MIDDLETON, solicitors, 40 Belmore-street, Yarrowonga. 2930

CREDITORS, next of kin and others having claims in respect of the estate of Mabel Ann McDougall, deceased, late of Yarrowonga, spinster (who died on the 3rd day of September, 1962), are to send particulars of their claims to the executors of the estate of Mabel Ann McDougall, care of G. M. Castles & Middleton, solicitors, 40 Belmore-street, Yarrowonga, by the 19th day of December, 1964, after which date the said executors will distribute the estate of the said deceased, having regard only to the claims of which they then have notice.

G. M. CASTLES & MIDDLETON, solicitors, 40 Belmore-street, Yarrowonga. 2931

ELEANOR BRIDGET QUINLIVAN, (commonly known as Eileen Donovan Summers and Eleanor Bridget Summers), late of 46 Crichton-avenue, Port Melbourne, widow, DECEASED.

CREDITORS, next of kin and others having claims in respect of the said deceased (who died 16th day of August, 1964), are required by the executor, National Trustees Executors and Agency Company of Australasia Limited, of 95 Queen-street, Melbourne to send particulars to it at its address aforesaid by the 21st day of December, 1964, after which date the executor may convey or distribute the assets having regard only to the claims of which it then has notice.

BERNARD NOLAN, 595 Bourke-street, Melbourne, solicitor. 3011

ANTHONY RAGAINI, Late of the Town of Danbury, in the County of Fairfield, in the State of Connecticut, in the United States of America, and of 18 Mayona-road, Montmorency, in the State of Victoria, hatter, DECEASED.

CREDITORS, next of kin and others having claims in respect of the estate of the deceased (who died on the 8th September, 1962), are required by the personal representatives, Edward Graeme Henry and Donald William McCutcheon, both of 150 Queen-street, Melbourne, solicitors, to send particulars to them by the 18th day of December, 1964, after which date the personal representatives may convey or distribute the assets, having regard only to the claims of which they then have notice.

W. B. & O. McCUTCHEON, solicitors, 150 Queen-street, Melbourne. 3013

CREDITORS, next of kin and others having claims in respect of the estate of Marjorie Gertrude Bell, late of Scotch College, Glenferrie-road, Hawthorn, spinster, deceased (who died on the 28th day of June, 1964), are requested to send particulars of their claims to the under-mentioned solicitor, the executor of the estate of the said deceased, by the 10th day of December, 1964, after which date the executor will distribute the assets, having regard only to the claims of which he has notice.

KENNETH J. CLEMENTS, 255 Glenhuntly-road, Elsternwick. 2940

CREDITORS, next of kin and others having claims against the under-mentioned person are required to send particulars thereto to Arthur Herbert Morris, care of R. P. Barrett & Son, solicitors, 473 Bourke-street, Melbourne, on or before the 20th day of December, 1964, otherwise they may be excluded when the assets are being distributed.

Name: Caroline Jane Morris, late of 623 Waverley-road Chadstone, widow. Date of death: 25th day of July, 1964.

R. P. BARRETT & SON, solicitors, 473 Bourke-street, Melbourne. 3015

CREDITORS, next of kin and others having claims against the estate of Herbert James Raven, formerly of 422 Collins-street, Melbourne, late of 33 Hughes-street, Tecoma, chartered accountant, deceased (who died on 22nd April, 1963), are required to send particulars to the executor, care of the undersigned solicitors, by 23rd December, 1964, after which date the executor may convey or distribute the assets, having regard only to claims of which he then has notice.

G. A. HILFORD & CO., solicitors, 406 Lonsdale-street, Melbourne. 2962

FRANCES DOROTHY LARK, late of 10 Black-street, Mont Albert, widow, DECEASED (who died on 20th June, 1964).

CREDITORS, next of kin and all other persons having claims against the estate of the deceased are required by the executrix of her will, Judy Margaret Reid, of 2A Hamilton-avenue, Blackburn, married woman, to send particulars thereof to her, care of the under-mentioned solicitors, before 16th December, 1964, after which date she may distribute the assets of the deceased, having regard only to the claims of which she then has notice.

COLTMAN, WYATT & ANDERSON, solicitors, of 578 Bourke-street, Melbourne. 2959

CREDITORS and others having claims in respect of the estate of Eric Moore Spalding, late of 89 Prospect-road, Newtown, Geelong, retired agent, deceased (who died on 24th June, 1964), are required by The Union-Fidelity Trustee Company of Australia Limited, of 101 Lydiard-street north, Ballarat, and Kingsley Moore Spalding, of Ararat, agent, the executors of the will of the said deceased, to send particulars in writing of their claims, to the said company, at its above address, on or before the 22nd December, 1964, after which date they will distribute the assets, having regard only to the claims of which they then have notice.

BRUCE R. TIVEY, solicitor, Ararat. 3006

JESSIE BUTLER, late of 316 Richardson-street, Middle Park, widow, DECEASED.

CREDITORS, next of kin and others having claims in respect of the said deceased (who died 22nd day of July, 1964), are required by the executor, National Trustees Executors and Agency Company of Australasia Limited, of 95 Queen-street, Melbourne, to send particulars to it at its address aforesaid by the 21st day of December, 1964, after which date the executor may convey or distribute the assets having regard only to the claims of which it then has notice.

BERNARD NOLAN, 595 Bourke-street, Melbourne, solicitor. 3009

CREDITORS, next of kin and others having claims in respect of the estate of Harriett MacKinnon, late of 70 Aberdeen-street, Newtown, widow, deceased (who died on the 1st May, 1964), are to send particulars of their claims to The Trustees Executors and Agency Company Limited, of 401 Collins-street, Melbourne, by the 17th December, 1964, after which date they will distribute the assets having regard only to the claims of which they then have notice.

CORR & CORR, solicitors, 290 Latrobe-street, Melbourne. 3010

WILLIAM MICHAEL PATRICK KEILY, formerly of 156 Victoria-street, but late of 23 Charles-street, Seddon, in the State of Victoria, chemist, DECEASED.

CREDITORS, next of kin and others having claims against the estate of the above-named deceased (who died on the 20th day of March, 1964), are required to send particulars of their claims to Leslie Robert Cosway and John Stewart Catomore, the executors of the will of the said deceased, care of the under-mentioned solicitors, by the 1st day of January, 1965, after which date the said executors will distribute the assets in the said estate, having regard only to the claims of which they then have notice.

PAVEY, WILSON, COHEN & CARTER, solicitors, 390 Lonsdale-street, Melbourne. 2961

CREDITORS, next of kin and others having claims in respect of the estate of Edith Wood, late of 18 St. Elmo-road, Ivanhoe, formerly married woman, but late widow, deceased (who died on the 9th day of September, 1964), are to send particulars of their claims to Royston Thomas Cahir, solicitor of 475 Collins-street, Melbourne, by the 16th day of December, 1964, after which date the executrix will distribute the assets of the said estate, having regard only to claims of which she then has notice.

ROYSTON T. CAHIR, barrister and solicitor, 475 Collins-street, Melbourne. 3017

JACK WELTON, late of Main-road, Smith's Gully, wood machinist, DECEASED.

CREDITORS, next of kin and others having claims in respect of the estate of the deceased (who died on the 7th May, 1964), are required by Charlotte Welton, of Main-road, Smith's Gully, married woman (the administratrix to whom letters of administration with the will dated 6th October, 1962, annexed, were granted on the 8th October, 1964), to send particulars to her, in care of the undersigned solicitor, by the 15th day of December, 1964, after which date the administratrix may convey or distribute the assets, having regard only to the claims of which she then has notice.

DUDLEY A. TREGENT, B.A., LL.M., solicitor, 422 Collins-street, Melbourne. 2977

CREDITORS, next of kin and others having claims in respect of the estate of Margaret Gladys Bell, formerly of "Cliveden Mansions", Wellington-parade, East Melbourne, in the State of Victoria, but lately residing at the Windsor Hotel, Spring-street, Melbourne, in the said State, gentlewoman, deceased (who died on the 31st day of August, 1964), are required by the executors, James Ford Strachan and Robert Russell Aitken, both of 123 William-street, Melbourne, in the said State, solicitors, to send particulars to them, care of the under-mentioned solicitors, by the 15th day of December, 1964, after which date they may convey or distribute the assets, having regard only to the claims of which they then have notice.

AITKEN, WALKER & STRACHAN, solicitors, 123 William-street, Melbourne. 3019

CREDITORS, next of kin and others having claims in respect of the estate of John Hunter Patterson, late of "Hartwood", Conargo, in New South Wales, grazier, deceased (who died on the 21st day of November, 1963), are required by the executors, Geoffrey Beresford Walker, of 128 William-street, Melbourne, in the State of Victoria, gentleman, James Ford Strachan, of 123 William-street, Melbourne aforesaid, solicitor, and Neville Fairbairn Armytage, of River-street, Deniliquin, in the State of New South Wales, grazier, to send particulars to them, care of the under-mentioned solicitors, by the 15th day of December, 1964, after which date they may convey or distribute the assets, having regard only to the claims of which they then have notice.

AITKEN, WALKER & STRACHAN, solicitors, 123 William-street, Melbourne. 3020

CREDITORS, next of kin and others having claims in respect of the estate of Mary Gordon Outhwaite, formerly of "Woolbrook", Teesdale, in Victoria, but late of "Burrandong", Kojonup, in Western Australia, married woman, deceased (who died on the 14th day of March, 1963), are required by the executor, Richard Martin Outhwaite, of "Burrandong", Kojonup aforesaid, farmer, to send particulars to him, care of the under-mentioned solicitors, by the 15th day of December, 1964, after which date he may convey or distribute the assets, having regard only to the claims of which he then has notice.

AITKEN, WALKER & STRACHAN, solicitors, 123 William-street, Melbourne. 3021

CREDITORS, next of kin and others having claims in respect of the estate of Hazel Medley Herbert Cumming, late of 16 Payne-street, Glen Iris, school teacher (who died on the 15th day of August, 1964), are to send particulars of their claims to the executrix, Lily Ina May Newitt, of the care of the undersigned solicitors, by the 7th of April, 1965, after which date she will distribute the assets, having regard only to the claims of which she then has notice.

PRICE & CHAMBERLAIN, solicitors, 443 Little Collins-street, Melbourne. 3016

CREDITORS, next of kin and others having claims in respect of the will of Nellie Ryan, late of corner of Stanley-street and High-street, Wodonga, widow, deceased, (who died on the 28th day of March, 1964), are to send particulars of their claims to the executors, Charles Felix Pollard, John Mulqueeney and Patricia Leighton Wilson, care of M. Mornane, solicitor, 95 Queen-street, Melbourne, by the 17th day of December, 1964, after which date they will distribute the assets, having regard only to the claims of which they shall then have had notice.

M. MORNANE, solicitor, 95 Queen-street, Melbourne. 3014

CREDITORS, next of kin and others having claims in respect of the estate of Regina Miller (also known as Jean Miller), late of 3 Hilda-crescent, Hawthorn, in the State of Victoria, spinster, deceased (who died on the 14th February, 1964), are required to send particulars of their claims to the executor, care of the under-mentioned solicitor, by the 16th day of December, 1964, after which date the executor will distribute the assets, having regard only to the claims of which he then has notice.

K. P. REES, B.A. LL.B., solicitor, 89 Queen-street, Melbourne. 3022

CREDITORS, next of kin and others having claims in respect of the estate of Jessie McIntyre, formerly of 834 Station-street, North Box Hill, but late of Eildon Private Hospital, 4 Bond-street, Ringwood, in the State of Victoria, widow, deceased (who died on the 5th August, 1964), are required to send particulars of their claims to the executor, care of the under-mentioned solicitor, by the 16th day of December, 1964, after which date the executor will distribute the assets, having regard only to the claims of which he then has notice.

K. P. REES, B.A. LL.B., solicitor, 89 Queen-street, Melbourne. 3023

CREDITORS, next of kin and others having claims in respect of the estate of Mavis Kahlil Cane, late of 2 Scott-street, South Caulfield, in the State of Victoria, widow, deceased (who died on the 29th August, 1964), are required to send particulars of their claims to the executor, care of the under-mentioned solicitor, by the 16th day of December, 1964, after which date the executor will distribute the assets, having regard only to the claims of which he then has notice.

K. P. REES, B.A. LL.B., solicitor, 89 Queen-street, Melbourne. 3024

CREDITORS, next of kin and others having claims in respect of the estate of Robert George Ewans, late of 66 Glengyle-street, Coburg, retired painter, deceased (who died on 20th August, 1964), are required by the executor, George Blyth Henderson, of 6 Nicholson-street, East Coburg, carpenter, to send particulars of their claims to him, care of Rogers and Gaylard, solicitors, of 281 Collins-street, Melbourne, by 23rd December, 1964, after which date the said executor will distribute the assets of the deceased, having regard only to the claims of which he then shall have had notice.

ROGERS & GAYLARD, solicitors, 281 Collins-street, Melbourne. 3028

CREDITORS, next of kin and all others having claims against the estate of Mary Ann Ditchfield, late of 602 Windermere-street, South Ballarat, in the State of Victoria, married woman, deceased (who died on the 25th day of June, 1964), are requested by the executor of the will of the said deceased, the Union-Fidelity Trustee Company of Australia Limited, of 101 Lydiard-street north, Ballarat, in the said State, to send particulars of their claims to the said company, on or before the 23rd day of December, 1964, after which date the executor will distribute the assets, having regard only to the claims of which it shall then have had notice.

CUTHBERT, MORROW, MUST & SHAW, solicitors, Ballarat. 3002

CREDITORS, next of kin and others having claims in respect of the estate of Doris Elsa Urban, late of 9 Stonehaven-crescent, Moorabbin, widow, deceased (who died on 2nd July, 1964), are required by the administratrix, Wilma Therese Urban, of 9 Stonehaven-crescent, Moorabbin, nursing sister, to send particulars of their claims to her, care of Rogers & Gaylard, solicitors, of 281 Collins-street, Melbourne, by the 23rd December, 1964, after which date the administratrix will distribute the assets of the deceased, having regard only to the claims of which she then shall have had notice.

ROGERS & GAYLARD, solicitors, 281 Collins-street, Melbourne. 2985

CREDITORS, next of kin and others having claims in respect of the estate of Thomas Henry Billing, late of High Street-road, Wantirna South, market gardener, deceased (who died on the 21st July, 1964), are to send particulars of their claims to Thomas Ian Billing, care of the undersigned solicitors, by the 15th December, 1964, after which date he will distribute the assets, having regard only to the claims of which he then has notice.

HALL & WILCOX, solicitors, 20 Queen-street, Melbourne. 2982

CREDITORS, next of kin and others having claims in respect of the estate of Eric Leo Mulgrave, late of "Corrabert", 210 Orrong-road, Toorak, gentleman, deceased (who died on the 24th July, 1963), are to send particulars of their claims to the Public Trustee for Victoria and Patrick Kearney McNally, care of the undersigned solicitors, by the 15th December, 1964, after which date they will distribute the assets, having regard only to the claims of which they then have notice.

HALL & WILCOX, solicitors, 20 Queen-street, Melbourne. 2981

OLIVER GARNET SHILTON, late of 326 Victoria-street, Brunswick, pensioner, DECEASED, intestate.

CREDITORS, next of kin and others having claims in respect of the estate of the deceased (who died on the 14th May, 1964) are required by Harold Robert Charles Shilton, of 61 Rupert-street, West Footscray, retired teacher (the administrator to whom letters of administration were granted on the 8th October, 1964), to send particulars to him, in care of the undersigned solicitor, by the 15th day of December, 1964, after which date the administrator may convey or distribute the assets, having regard only to the claims of which he then has notice.

DUDLEY A. TREGENT, B.A., LL.M., solicitor, 422 Collins-street, Melbourne. 2978

CREDITORS, next of kin and others having claims in respect of the estate of John Paul Abicare, late of 7 Majella-court, Kew, in the State of Victoria, merchant, deceased (who died on the 26th day of January, 1964), are required by the executors, Frederick Roy Abicare, merchant, and Anne Abicare, married woman, both of 7 Majella-court, Kew aforesaid, to send particulars to them, care of the undermentioned solicitors, by the 15th day of December, 1964, after which date they may convey or distribute the assets, having regard only to the claims of which they then have notice.

AITKEN, WALKER & STRACHAN, solicitors, 123 William-street, Melbourne. 3018

CREDITORS, next of kin and others having claims against the estate of James Bartholomew Henson, late of 55 Glennmorgan-street, East Brunswick, in the State of Victoria, retired tobacco worker, deceased (who died on the 21st day of July, 1964), are required to send particulars of their claims to National Trustees, Executors and Agency Company of Australasia Limited, of 95 Queen-street, Melbourne, before the 31st day of December, 1964, after which date the said company will distribute the assets, having regard only to the claims of which it then has notice.

JOHN F. CARROLL, solicitor, 118 Queen-street, Melbourne. 2963

CREDITORS, next of kin and others having claims in respect of the estate of Frederick Clive Purling, late of 189 Hotham-street, East Melbourne, instructor (who died on the 15th August, 1964), are to send particulars of their claims to The Union-Fidelity Trustee Company of Australia Limited, of 333 Collins-street, Melbourne, by the 16th day of December, 1964, after which date it will distribute the assets, having regard only to the claims of which it then has notice.

RYLAH & RYLAH, solicitors, 349 Collins-street, Melbourne. 2973

CREDITORS, next of kin and others having claims in respect of the estate of Edith Margot Oertel, late of 63 Ormond Esplanade, Elwood, home duties (who died on or about the 16th day of December, 1963), are to send the particulars of their claims to The Equity Trustees, Executors and Agency Company Limited, of 472 Bourke-street, Melbourne, by the 16th December, 1964, after which date it will distribute the assets, having regard only to the claims of which it then has notice.

DUNCAN MACKINNON & CO., solicitors, 379 Collins-street, Melbourne. 2970

CREDITORS, next of kin and others having claims in respect of the estate of David Gordon Felstead, deceased, late of 146 Park-road, Maryborough, fitter (who died on the 25th July, 1964), are to send particulars of their claims to Mrs. Elsie Coral Felstead, care of Ralph Freadman, Giles & Co., solicitors, of 473 Bourke-street, Melbourne, by the 14th day of December, 1964, after which date the said Elsie Coral Felstead will proceed to administer the estate of the deceased, having regard only to the claims of which she then has notice.

RALPH FREADMAN, GILES & CO., solicitors, 473 Bourke-street, Melbourne. 2975

CREDITORS, next of kin and others having claims in respect of the estate of Reuben Victor Parry, late of 278 Ascot Vale-road Moonee Ponds, retired traveller, deceased (who died on the 2nd day of July, 1964), are to send particulars of their claims to the Equity Trustees Executors and Agency Company Limited, of 472 Bourke-street, Melbourne, by the 17th day of December, 1964, after which date it will distribute the assets, having regard only to the claims of which it then has notice.

McNAB & McNAB, solicitors, 17 Queen-street, Melbourne. 2990

CREDITORS, next of kin and others having claims in respect of Maurice Bunker, late of 13 Smith-street, Moonee Ponds in the State of Victoria, sheet metal hand, deceased (who died on the 6th day of December, 1963), are required by the executor, Gordon Keith Bunker, in the will called Keith Gordon Bunker, of 40 Fulton-road, Blackburn South, in the State of Victoria, sheet metal worker, to send particulars of their claims to him care of F. P. Walsh, solicitor, of 452 High-street, Northcote, by the 28th day of December, 1964, after which date the said executor will distribute the assets of the deceased, having regard only to the claims of which he then shall have had notice.

F. P. WALSH, solicitor, 452 High-street, Northcote. 2938

In the Supreme Court of the State of Victoria.

SALE BY THE SHERIFF.

ON Friday, the 20th day of November, 1964, at Nine-thirty a.m., at the Police Station, Ashburton (unless process be stayed or satisfied):—

All the estate and interest (if any) of L. Fuleky, of 4 Estella-street, Glen Iris, civil engineer, as joint proprietor with Maria Fuleky, married woman, of an estate in fee simple in the land described in certificate of title, volume 7360, folio 962, upon which is erected a five-roomed concrete and weatherboard house with terra cotta tiled roof, fibrocement garage and brick fence, known as No. 4 Estella-street, Glen Iris.

Registered Mortgage No. B.821121 affects the said estate and interest.

Terms: Cash only.

DAVID J. JOHNSTON, Sheriff's Officer.

8th October, 1964. 2988

In the Supreme Court of the State of Victoria.

SALE BY THE SHERIFF.

ON Friday, the 27th day of November, 1964, at Ten-thirty a.m., at the Police Station, Heidelberg (unless process be stayed or satisfied):—

All the estate and interest (if any) of Harman Kingston Brooks, private investigator, and Janet Elizabeth Gregory Brooks, married woman, both of 24 St. Andrews-road, Shepparton, as joint proprietors of an estate in fee-simple in the land described in certificate of title, volume 8378, folio 765, upon which is erected a brick veneer dwelling house known as No. 4 Jacana-avenue, Veeleen.

Registered Mortgage Nos. B.651038 and B.683768 affects the said estate and interest.

Terms: Cash only.

N. FROGLEY, Sheriff's Officer.

5th October, 1964. 2989

INSOLVENCY NOTICE

The *Bankruptcy Act 1924*, as amended, Part XI.
COMMONWEALTH OF AUSTRALIA.

NOTICE OF FILING OF STATEMENT.

In the Supreme Court of Western Australia, exercising Federal Jurisdiction in Bankruptcy.—In the assigned estate of SYDNEY AND OLGA BRECKLER.—Ref. 11/61/XI.

NOTICE is hereby given that the trustee hereunder, in pursuance of section 175 of Part XI. of the *Bankruptcy Act 1924*, as amended, Part XI., has this day filed in the Bankruptcy Court such statement as by the said Act is required.

At this time it is not proposed to pay a dividend to unsecured creditors.

Dated at Perth, this 1st day of October, 1964.
2924 J. C. HANSON, Trustee.

IMPOUNDINGS

BENALLA.—Impounded in Benalla Pound by the Ranger (N. Cook), on the 8th October, 1964, at 1.30 p.m.
1 roan Shorthorn milking cow, no visible brand
If not claimed and expenses paid, to be sold on 29th October, 1964.
3005—14/
C. H. WALLACE,
Poundkeeper.

BOX HILL.—Impounded in Box Hill Pound, by Ranger.
1 female white goat, horns, chain and strap, no visible brand.
1 ram, horns, long tail, no visible brand.
If not claimed and expenses paid, to be sold on 29th October, 1964.
2948—16/
R. KENNEDY,
Poundkeeper.

KEILOR.—Impounded in Keilor Pound.
1 chestnut mare, 2 white hind fetlocks, P brand near shoulder
If not claimed and expenses paid, to be sold on 29th October, 1964.
3031—14/
L. S. ANDERSON,
Poundkeeper.

KERANG.—Impounded in Kerang Pound.
1 woolly crossbred lamb, notch right ear, green stripe on back
If not claimed and expenses paid, to be sold on 28th October, 1964.
2993—14/
G. S. COOK,
Poundkeeper.

MAFFRA.—Impounded in Maffra Pound from Maffra.
1 Black Poll bull calf, full ears, no visible brand
If not claimed and expenses paid, to be sold on 13th November, 1964.
2991—12/
F. GIESCHEN,
Poundkeeper.

WHITTLESEA.—Impounded in Epping Pound by Ranger.
2 black Shetland ponies, no visible brand
If not claimed and expenses paid, to be sold on 30th October, 1964.
2992—12/
W. HERD,
Poundkeeper.

Subordinate Legislation Act 1962.

NOTICE OF MAKING OF STATUTORY RULES.

IN pursuance of the provisions of the *Subordinate Legislation Act 1962* and the Regulations made thereunder, notice is given of the making of the following statutory rules:—

No.	Police Regulation Act 1958.	Price. s. d.
132/1964.	Police (Melbourne and Metropolitan Board of Works Long Service Leave) Regulations 1964	0 6

No.	Seeds Act 1958 (No. 6364).	Price. s. d.
133/1964.	Seed Certification (Amendment) Regulations 1964	0 9

Copies of these statutory rules may be purchased at the Sale of Publications Section of the Government Printing Office, located at Macarthur-street, Melbourne, C.2. If ordered by mail, remittance should be addressed to "The Government Printer, Box 203, P.O., North Melbourne, N.1.", and should include 5d. extra for postage.

A. C. BROOKS,
Government Printer.

STATE ACTS, 1964

COPIES of the following Acts of Parliament of Victoria may be obtained at the Government Printing Office, or from any accredited agents, at the price set opposite to each:—

No.		Price. s. d.
7106.	Governor's Salary	0 6
7107.	Gaols (Visiting Justices)	0 6
7108.	Grain Elevators (Borrowing Powers)	0 6
7109.	The Constitution Act Amendment (Conjoint Elections)	0 9
7110.	Opticians Registration (Fees and Penalties)	0 6
7111.	Railway Lands	0 9
7112.	Revocation and Excision of Crown Reservations	0 9
7113.	Balmoral Geelong and Balwyn Lands Exchange	1 0
7114.	Transfer of Land (Service Agreements)	0 6
7115.	R.S.L. Widows and Widowed Mothers' Trust Patriotic Fund	1 0
7116.	Home Finance (Reconstitution of Trust)	0 9
7117.	Appeal Costs Fund	1 3
7118.	Maryborough Free Library and Literary Institute	0 9
7119.	Wills (Formal Validity)	0 9
7120.	Stamps (Exemptions)	0 9
7121.	The Evangelical Lutheran Church of Australia (Victorian District) Incorporation	1 6
7122.	Health (Child Minding)	0 9
7123.	Wodonga Sewerage Authority (Acquisition of Land)	0 9
7124.	Firearms (Interstate Transactions)	0 9
7125.	Housing Advances and Loans (Improper Commissions)	0 6
7126.	Process Servers and Inquiry Agents (Qualification)	0 6
7127.	Supreme Court (Qualification of Judges)	0 6
7128.	Monash University (Amendment)	0 6
7129.	Athlone Mechanics' Institute Land	0 6
7130.	Transfer of Land (Restrictive Covenants)	0 6
7131.	Goods (Trading Stamps)	0 6
7132.	Health (Amendment)	0 9
7133.	Consolidated Revenue	0 6
7134.	Estate Agents (Amendment)	0 9
7135.	Public Service (Amendment)	1 0
7136.	Sheep Owners Protection (Amendment)	1 0
7137.	Motor Car (Indorsement of Licences)	0 6
7138.	Racing (Interstate Totalizators)	0 6
7139.	Police Offences (Animals)	1 0
7140.	Education (Adult Education)	0 6
7141.	University (Faculties)	0 6
7142.	Statute Law Revision	0 9
7143.	Labour and Industry (Chemists' Shops)	0 6
7144.	Teaching Service (Amendment)	0 6
7145.	Litter	0 9
7146.	Acts Interpretation (Commencement)	0 6
7147.	Adoption of Children	2 0
7148.	National Parks	0 9

Table of Acts and Enactments passed, date of operation, &c.	0 3
---	-----

ACTS REPRINTED IN ACCORDANCE WITH THE AMENDMENTS INCORPORATION ACT 1958 (No. 6422), AND FOR SALE AT THE SALE OF PUBLICATIONS BRANCH OF THE GOVERNMENT PRINTING OFFICE, MACARTHUR-STREET, MELBOURNE.

No.		Price. s. d.
6189.	Acts Interpretation (Incorporating amendments up to No. 7146)	1 6

ACTS REPRINTED IN ACCORDANCE WITH THE AMENDMENTS INCORPORATION ACT 1958 (No. 6422)—continued.

No.	Price. s. d.
6191. Administration and Probate (<i>Second Reprint</i> —Incorporating amendments up to No. 6920)	3 6
6209. Boiler Inspection (Incorporating amendments up to No. 7072)	1 9
6218. Children's Court (Incorporating amendments up to No. 7084)	2 0
6219. Children's Welfare (Incorporating amendments up to No. 6812)	2 6
6220. Clean Air (Incorporating amendments up to No. 6886)	1 0
6222. Commercial Goods Vehicles (Incorporating amendments up to No. 6886)	1 9
6225. Co-operation (Incorporating amendments up to No. 6749)	4 0
6226. Co-operative Housing Societies (Incorporating amendments up to No. 7097)	4 0
6228. Country Fire Authority (Incorporating amendments up to No. 7065)	4 0
6229. Country Roads (Incorporating amendments up to No. 6943)	4 0
6231. Crimes (Incorporating amendments up to No. 6958)	13 3
6236. Dog (<i>Second Reprint</i> —Incorporating amendments up to No. 7065)	1 6
6246. Evidence (Incorporating amendments up to No. 6758)	3 6
6249. Fences (Incorporating amendments up to No. 6550)	1 3
6251. Firearms (Incorporating amendments up to No. 6716)	2 3
6259. Gaols (Incorporating amendments up to No. 6651)	1 6
6265. Goods (<i>Second Reprint</i> —Incorporating amendments up to No. 7006)	2 6
6270. Health (Incorporating amendments up to No. 6886)	14 6
6274. Hospitals and Charities (Incorporating amendments up to No. 6716)	3 6
6279. Instruments (Incorporating amendments up to No. 6531)	3 6
6282. Justices (Incorporating amendments up to No. 6961)	11 3
6283. Labour and Industry (<i>Second Reprint</i> —Incorporating amendments up to No. 7143)	7 6
6285. Landlord and Tenant (<i>Second Reprint</i> —Incorporating amendments up to No. 6996)	5 0
6293. Licensing (Incorporating amendments up to No. 6659)	9 3
6295. Limitation of Actions (Incorporating amendments up to No. 6845)	1 6
6299. Local Government (Incorporating amendments up to No. 7052)	35 0
6309. Medical (Incorporating amendments up to No. 6837)	3 9
6315. Metropolitan Fire Brigades (Incorporating amendments up to No. 6886)	2 9
6318. Milk Board Act (Incorporating amendments up to No. 7093)	2 3
6324. Money Lenders (Incorporating amendments up to No. 6886)	2 6
6325. Motor Car (Incorporating amendments up to No. 6867)	6 6
6328. Nurses (Incorporating amendments up to No. 6716)	2 0
6330. Partnership	1 6
6338. Police Regulation (Incorporating amendments up to No. 7081)	4 6
6343. Process Servers and Inquiry Agents (Incorporating amendments up to 7126)	1 3
6344. Property Law (Incorporating amendments up to No. 6867)	9 0
6349. Public Service (Incorporating amendments up to No. 6886)	2 9
6350. Public Trustee (Incorporating amendments up to No. 6961)	3 6
6359. Road Traffic (Incorporating amendments up to No. 6999)	1 6
6363. Second-Hand Dealers	1 3
6367. Settled Land (Incorporating amendments up to No. 6505)	4 0

ACTS REPRINTED IN ACCORDANCE WITH THE AMENDMENTS INCORPORATION ACT 1958 (No. 6422)—continued.

No.	Price. s. d.
6375. Stamps (<i>Second Reprint</i> —Incorporating amendments up to No. 7142)	7 0
6377. State Electricity Commission (Incorporating amendments up to No. 7054)	5 0
6379. State Savings Bank (Incorporating amendments up to No. 6886)	4 3
6401. Trustee (<i>Second Reprint</i> —Incorporating amendments up to No. 6963)	4 3
6419. Workers Compensation (Incorporating amendments up to No. 7063)	5 0
6577. Lifts and Cranes Act 1959 (Incorporating amendments up to 6886)	1 3
6651. Social Welfare (<i>Second Reprint</i> —Incorporating amendments up to No. 7084)	3 6
6653. Valuation of Land (Incorporating amendments up to No. 7019)	1 6
6832. Motor Boating (Incorporating amendments up to No. 6961)	1 6
6839. Companies (Incorporating amendments up to No. 7142)	22 6
6879. Unclaimed Moneys (Incorporating amendments up to No. 6961)	1 3
6886. Subordinate Legislation (Incorporating amendments up to No. 6961)	1 6
6889. Poisons (Incorporating amendments up to No. 7065)	3 6
6890. Probate Duty (Incorporating amendments up to No. 6970)	3 9

A. C. BROOKS,
Government Printer.

THE "VICTORIA GOVERNMENT GAZETTE".

SUBSCRIPTIONS.—The subscription, including postage, is £2 15s. per annum, £1 7s. 6d. half-yearly, or 13s. 9d. per quarter, payable in advance.

Subscriptions are required for whole months, and must cover at least a quarter.

Single copies are One shilling, posted One shilling and five pence. Subscribers do not receive the Acts of Parliament with the GAZETTE.

GAZETTES are held in stock for five years only.

PRIVATE ADVERTISEMENTS.—The charge for insertion is 2s. per line single column, and 4s. per line double column. The title forms one or more lines as a heading. On an average ten words make a line of single column. Every signature must likewise be counted as a line. The final words of a paragraph, though only portion of a line, must be counted as one line. Signatures (in particular) and proper names must be written very plainly in the text; ONE SIDE ONLY of each sheet of paper should be WRITTEN UPON.

All documents illegibly written will be returned unpublished, and where brands occur unprovided for by the ordinary letters of the alphabet, a worded explanatory description must be furnished.

Advertisements unaccompanied by a remittance sufficient to cover the cost of the insertion will be returned unpublished.

THE VICTORIA GOVERNMENT GAZETTE is published on WEDNESDAY EVENING in each week, and Notices for insertion will be received by the Government Printer at or before ONE p.m. at ordinary rates, and late advertisements between ONE p.m. and FOUR p.m. at double rates on the day preceding the day of publication.

PAYMENTS.—All payments are required in advance and remittances should be made by cheque, postal note, or money order payable to "GOVERNMENT PRINTER".

ADDRESS.—All communications should be addressed to "The Government Printer, Box 203, P.O., North Melbourne".

AGENTS FOR THE "VICTORIA GOVERNMENT GAZETTE".

THE following have been appointed agents to receive Advertisements and Subscriptions for the Victoria Government Gazette:—

ARMSTRONG BROS. PTY. LTD., Mollison-street, Kyneton.

ARMSTRONG'S AGENCY, 205 Queen-street, Melbourne.
 ARNALL & JACKSON, 390 Barkly-street, Brunswick, N.10.
 BAIRNSDALE AUTHORIZED NEWSAGENCY, 132 Main-street, Bairnsdale.
 COOKE, F. R. & E. M., & SONS, 69 Bridge-street, Benalla.
 DAVIES, G. & M. V., 112 Gray-street, Hamilton.
 DAVIS, WM. (MILDURA) PTY. LTD., 126 Eighth-street, Mildura.
 DIXON'S NEWSAGENCY, 89 Firebrace-street, Horsham.
 EDGAR'S NEWSAGENCY PTY. LTD., 293 Hargreaves-street, Bendigo.
 FRANKS, H. & CO., 184 Ryrie-street, Geelong.
 GORDON & GOTCH AUSTRALASIA LTD., 511 Little Collins-street, Melbourne.
 GULLAN'S NEWSAGENCY, 88 Bridge-street, Ballarat.
 HALES, D. & N., Henty-street, Casterton.
 HAMPTON, A. C., 243 Mitchell-street, Bendigo.
 HARSTON, PARTRIDGE & CO. PTY. LTD., 455 Little Collins-street, Melbourne.
 THE MERCANTILE EXCHANGE, 90 Queen-street, Melbourne.
 MCGILL'S AUTHORIZED NEWSAGENCY, 183-5 Elizabeth-street, Melbourne.
 PETTY, R. H. & W. M., 83 Murphy-street, Wangaratta.
 PURDIE, J. & CO., 138 Moorabool-street, Geelong.
 SALE AUTHORIZED NEWSAGENCY, 142 Raymond-street, Sale.
 SKINNER'S AUTHORIZED NEWSAGENCY, 49-51 Franklin-street, Traralgon.
 TUFF'S SHEPPARTON NEWSAGENCY, 246 Wyndham-street, Shepparton.
 VERNON, C. F. & H. J., 162 Bridge-road, Richmond.
 VIEW POINT AUTHORIZED NEWSAGENCY, 4 View Point, Bendigo.

A copy of the *Gazette* filed at each place for public reference.

PUBLICATION OF OFFICIAL MATTER.

ATTENTION is invited to the following procedure in relation to the publication of official matter in the *Government Gazette*:—

1. *Matter submitted to the Executive Council.*

Matters submitted to the Executive Council which requires gazettal will normally be published in the issue of the following week.

Where urgent gazettal is required, special arrangements should be made with the *Gazette* Officer.

Publication will be facilitated by the submission of carbon copies for the use of the *Gazette* Officer.

2. *Other matter.*

(a) All other matter duly certified by a responsible officer for publication should be lodged with the *Gazette* Officer not later than half-past Ten a.m. on Tuesday.

(b) Lengthy or involved notices should be forwarded several days before publication.

(c) Proofs, which will be supplied only when specifically requested or, at the direction of the *Gazette* Officer, should be returned promptly to avoid delay in publication.

(d) No additions or amendments to matter for publication will be accepted by telephone.

CONTENTS

	PAGE
Acts of Parliament	3177
Acts of Parliament on sale at the Government Printing office	3250
Appointments	3215
Auction Sales Act	3199, 3214
Bank Holidays	3179
Companies Act 1961—Notice	3188
Contracts	3199
Estates of Deceased Persons	3185
Government Notices	3180
Holiday—Melbourne Cup Day	3180
Impoundings	3250
Insolvency Notice	3250
Lands	3227
Melbourne and Metropolitan Board of Works—Notice	3213
Mining	3180
Notice to Mariners	3215
Notice of Making of Statutory Rules	3250
Orders in Council—	
Acts—Landlord and Tenant; Land; Local Government; Country Roads; Drainage Areas; Portland Harbor Trust; Marketing of Primary Products; Cemeteries; Water; Sewerage Districts; Geelong Waterworks and Sewerage; Motor Car.	3216 et seq
Private Advertisements	3237
Proclamations	3177
Public Holidays	3179
Public Service Notices	3233
Resignations	3216
Tenders	3231
Transport Regulation Board—Public Hearings	3181